

OCD10-M43600EN

PREFACE

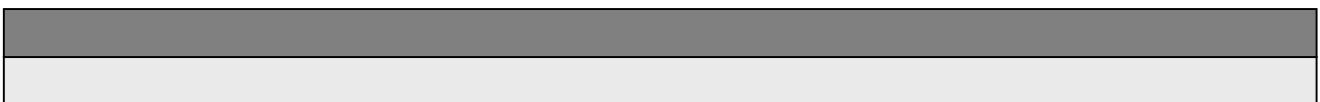
1. This Parts Catalog is the 1st edition of L100ADEVSA Diesel Engine for SAKAI.

Pub. No. : 000Y00D4360

Published : February, 1992

2. Model name

Engine model	Vehicle		Vehicle made by
	Products	Model name	
L100ADEVSA	VIBRATION ROLLER	—	SAKAI



How to read this Parts Catalog.

1. Parts mentioned in Parts Catalog may not necessarily be standard equipping parts
2. Parts change may be made without prior notice.
3. Form of this Parts Catalog.

REF.	LEV.	PARTS No.	DESCRIPTION	QTY						I	R
				(A)	(B)	(C)	(D)	(E)	(F)		
1		729595-51390	FUEL INJECTION PUMP		1	1	1	1			
1-1	1	729595-51391	FUEL INJECTION PUMP	1	1	1	1	1		N	1
3	2	26022-060162	SCREW M 6X16		9	9	9	9	9		
1 3-1	2	26022-060162	SCREW M 6X16		4	4	4	4	4		K
4	2	129470-51040	CAMSHFT		9	9	9	9	9		
5	2	122710-51050	BEARING. ROLLER		9	9	9	9	9		
6	2	129470-51060	RETAINER		9	9	9	9	9		

Remarks	(1) BOOST COMPENSATOR TYPE. OPTIONAL PART. TO E#00155 (4JH-DT, 4JH-DTZ)
---------	---

① Ref. No.

The Ref. No. in the list may not be in accordance with the Ref. No. on illustration.

(Ex.) illustration No. List head No.

1 1 (Before change) → 1-1 (After change)

When interchangeable symbol N, and k, illustrations for the new parts are sometimes omitted.

② Lev. (Level)

Indication and Meaning of Level

Level Hereunder is given the relation among the number of number (1,2,3) the level and the nominal parent-child relationship.

1 ---- Parent parts (Assembly parts)

2 ---- Child parts included in " 1 " (Semi-Assembly parts, component parts of Assembly parts.)

3 ---- Child parts included in " 2 ", Grand-child parts in terms of " 1 ".

(Component parts of Semi-Assembly parts.)

Note) A parts of non-sale parts are illustrated but not listed.

③ Change Mark

Change Mark " I " is given to the part for which a design change was made at this time.

The design change was not shown in the last published Parts Catalog.

④ Interchangeability Mark

In the case where a part change took place, one of the following interchangeability marks is indicated for that part

Symbol	Interchangeability	Contents note
N	Old ← → New	New Part is interchangeable for Old Part but not interchangeable conversely.
Q	Old ← → New	New Part is not interchangeable for Old Part but interchangeable conversely.
R	Old ← → New	New Part is interchangeable for Old Part and vice versa.
S	Old ← → New	New Part is not interchangeable for Old Part and vice versa.
W		Part newly added.
Z		Part discontinued.
F		Not interchangeable single part but interchangeable by set of the related parts.
K		Changed only in quantity used.

⑤ Effective Machine No.

When a part is changed, Effective Machine No. of a Model for which the part is applicable is indication

In each column of (A)-(F).

Product Symbol	Product No.	Product Symbol	Product No.
C	Clutch No, Compressor No,	M	Machine No,
D	Drive No,	T	Tractor No,
E	Engine No,	Note 1)※	Date

Note 1) Date may follow the symbol in some cases. (Ex.) ※1996.01

Note 2) As far as engine models shown by " XXX " are concerned, the modification of the parts could not be Predicted or the engine models themselves could not be identified.

Note 3) (A=E/#00185) means that the design change on the part has been effective for the model at the, column (A) (in the case, for 4JH-DT) on and from E/(Engine Serial Number) 00185

⑥ Remarks Mark

Figures or alphabets (Symbols) are entered in the remark column.

The comments (remarks) on the pertinent parts are indicated in the lower part of the list by the same symbols a those stated above.

Contents

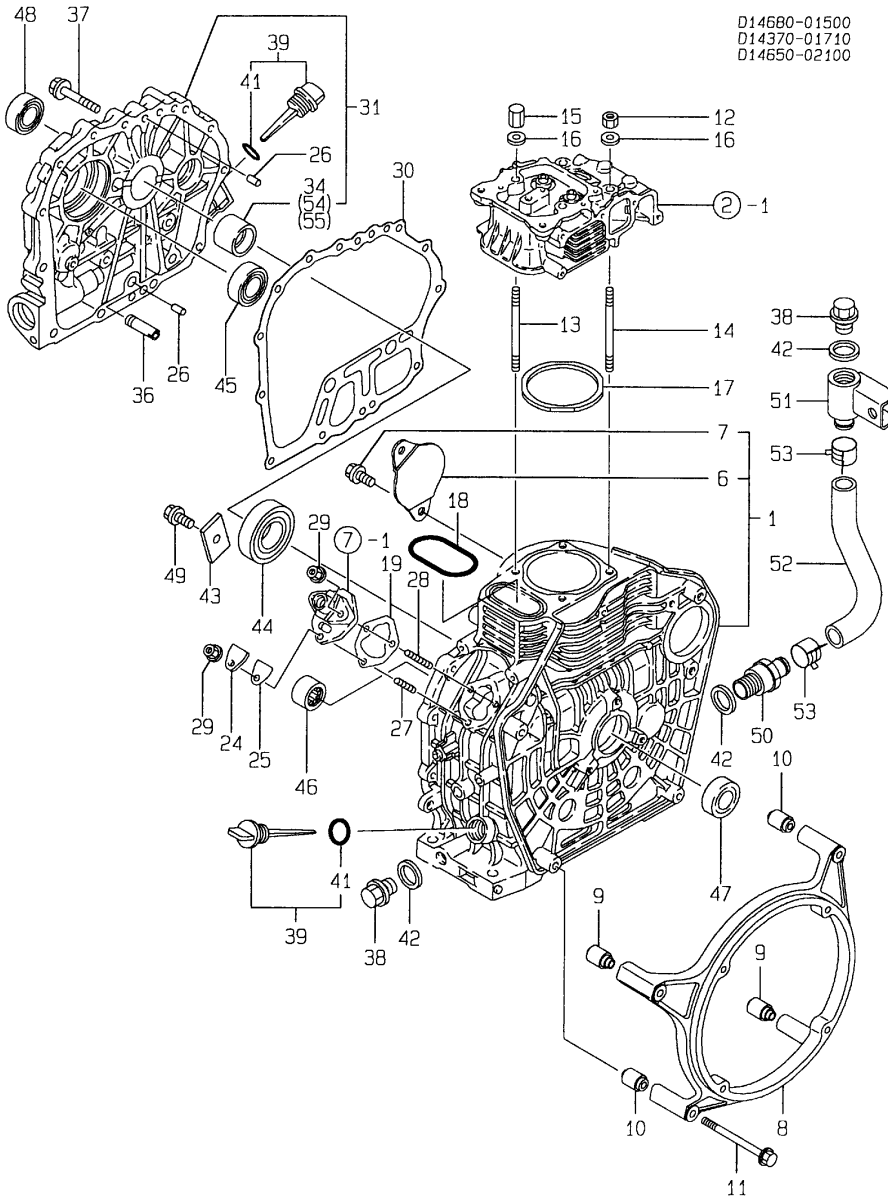
Fig. No. Fig. Name

L100ADEVSA

1. CYLINDER BLOCK
2. CYLINDER HEAD & BONNET
3. AIR CLEANER & MUFFLER
4. CRANKSHAFT, PISTON & CAMSHAFT
5. LUB. OIL PUMP & GOVERNOR
6. COOLING DEVICE
7. FUEL INJECTION PUMP
8. FUEL TANK & FUEL PIPE
9. STARTING MOTOR & DYNAMO
10. TOOL, LABEL & GASKET SET

Fig. No. Fig. Name

Fig.1. CYLINDER BLOCK



(A)=L100ADEVSA

(B)=

(C)=

(D)=

(E)=

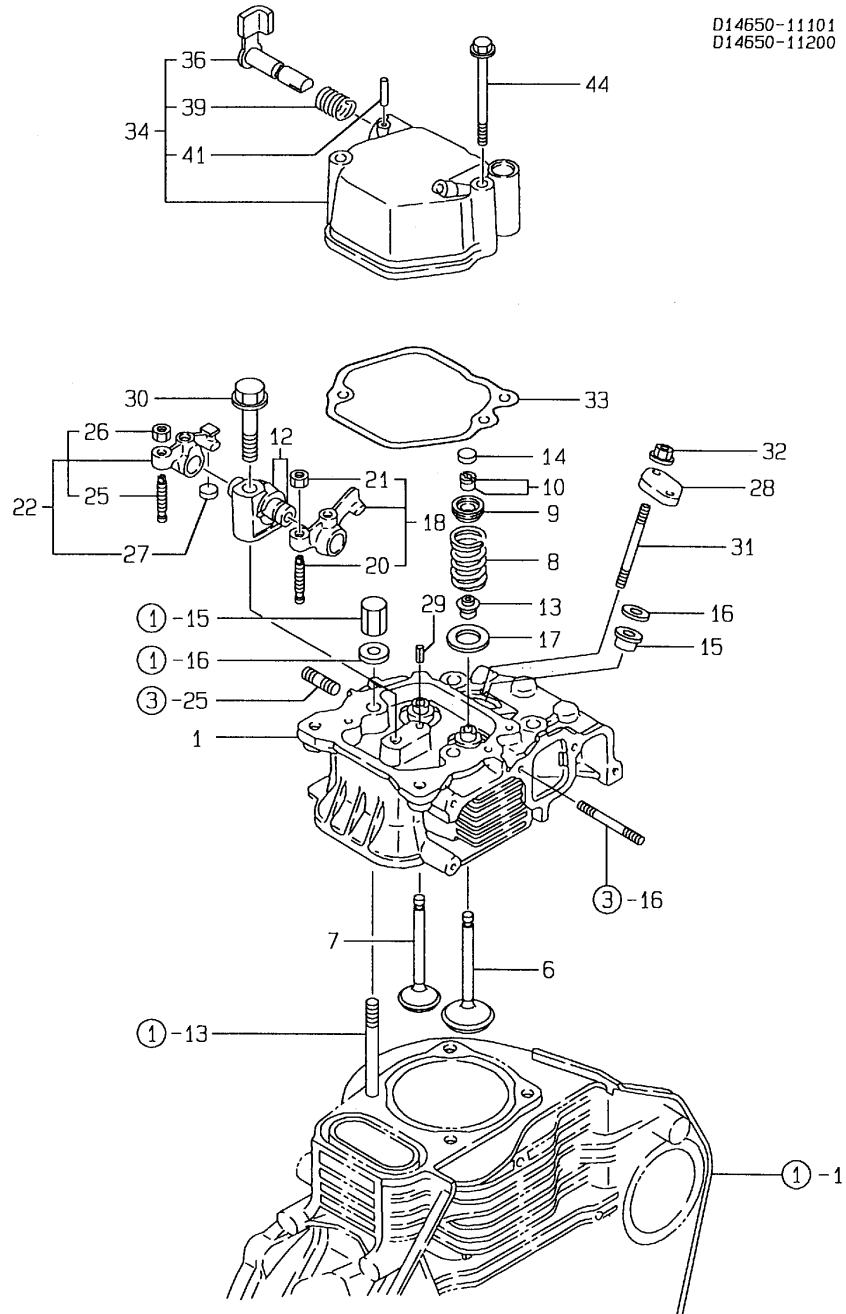
(F)=

No.	Lev.	Parts No.	Description	Q'ty						I	R
				(A)	(B)	(C)	(D)	(E)	(F)		
1	1	714985-01560	BLOCK ASSY, CYLINDER	1							
6	2	114350-01700	COVER	1							
7	2	26106-100122	BOLT, M10X 12 PLATED	2							
8	1	114984-01300	INLET	1							
9	1	114984-01310	SPACER	2							
10	1	114984-01320	SPACER	2							
11	1	26106-081002	BOLT, M8X100 PLATED	4							
12	1	105025-01220	NUT, CYLINDER HEAD	2							
13	1	114650-01230	BOLT, HEAD	2							
14	1	114650-01240	BOLT, HEAD	2							
15	1	114650-01250	NUT, CYLINDER HEAD	2							
16	1	114650-01260	WASHER	4							
17	1	114970-01340	GASKET, HEAD	1							
18	1	114650-01380	O-RING	1							
19	1	114250-01800	SHIM SET	1							
24	1	114250-01830	COVER	1							
25	1	114250-01840	GASKET	1							
26	1	22312-080120	PIN, PARALLEL M8X12	2							
27	1	26226-060182	STUD, M6X 18	1							
28	1	26226-060222	STUD, M6X 22	2							
29	1	26366-060002	NUT, M6	3							
30	1	114650-01412	GASKET, CRANK CASE	1							
31	1	114660-01470	COVER, CRANK CASE	1							
34	2	114650-02100	BEARING, MAIN	1							1
36	1	114250-35150	PIPE, OIL INLET	1							
37	1	26106-080352	BOLT, M8X 35 PLATED	16							
38	1	105425-01690	PLUG, 16	2							
39	1	160910-01740	CAP ASSY	2							
41	2	24311-000180	O-RING, 1AP18.0	2							
42	1	43400-500490	SEAL WASHER 16	3							
43	1	114250-02030	RETAINER, BEARING	1							
44	1	114650-02150	BEARING, HR6308G3C3	1							
45	1	24101-062070	BEARING, BALL 6207C3	1							
46	1	24162-152112	BEARING, 152112	1							
47	1	24423-355008	SEAL, OIL TC355008	1							
48	1	24423-355008	SEAL, OIL TC355008	1							
49	1	26106-080122	BOLT, M8X 12 PLATED	1							
50	1	183366-08351	NIPPLE, DRAIN	1							
51	1	114352-39400	JOINT, DRAIN	1							
52	1	114352-39410	HOSE, DRAIN	1							
53	1	171008-03990	CLIP, HOSE 18.5	2							
54	1	114650-02200	BEARING, 0.25 US	1							2
55	1	114650-02210	BEARING, 0.50 US	1							2

Remarks

- (1) REPAIR PART.
- (2) UNDER-SIZED PART.

Fig.2. CYLINDER HEAD & BONNET



(A)=L100ADEVSA

(B)=

(C)=

(D)=

(E)=

(F)=

No.	Lev.	Parts No.	Description	Q'ty						I	R
				(A)	(B)	(C)	(D)	(E)	(F)		
1	1	114650-11010	HEAD ASSY, CYLINDER	1							
6	1	114650-11100	VALVE, INTAKE	1							
7	1	114654-11110	VALVE, EXHAUST	1							
8	1	114650-11121	SPRING, VALVE	2							
9	1	119620-11180	RETAINER, SPRING	2							
10	1	27310-070001	COTTER, 7	2							
12	1	114650-11261	SUPPORT, ROCKER ARM	1							
13	1	114650-11340	SEAL, VALVE STEM	2							
14	1	104211-11370	CAP, VALVE	1							
15	1	114250-11460	GASKET, NOZZLE	1							
16	1	114350-11470	SPACER, NOZZLE	1							
17	1	114650-11600	WASHER	2							
18	1	114650-11652	ARM, ROCKER	1							
20	2	114250-11240	SCREW, VALVE ADJUST	1							
21	2	26756-060002	NUT, LOCK M6	1							
22	1	714670-11660	ARM ASSY, ROCKER	1							
25	3	114250-11240	SCREW, VALVE ADJUST	1							
26	3	26756-060002	NUT, LOCK M6	1							
27	2	104211-11370	CAP, VALVE	1							
28	1	114250-11900	RETAINER, NOZZLE	1							
29	1	22351-040008	PIN, SPRING 4.0X 8	1							
30	1	26106-100552	BOLT, M10X 55 PLATED	1							
31	1	26226-060502	STUD, M6X 50	2							
32	1	26366-060002	NUT, M6	2							
33	1	114650-11310	GASKET, BONNET	1							
34	1	114650-11951	BONNET ASSY, HEAD	1							
36	2	114250-03591	LEVER ASSY	1							
39	2	114250-03640	SPRING, DECOMPRESSION	1							
41	2	22312-030160	PIN, PARALLEL M3X16	1							
44	1	26106-060702	BOLT, M6X 70 PLATED	2							

Fig.3. AIR CLEANER & MUFFLER

(A)=L100ADEVSA

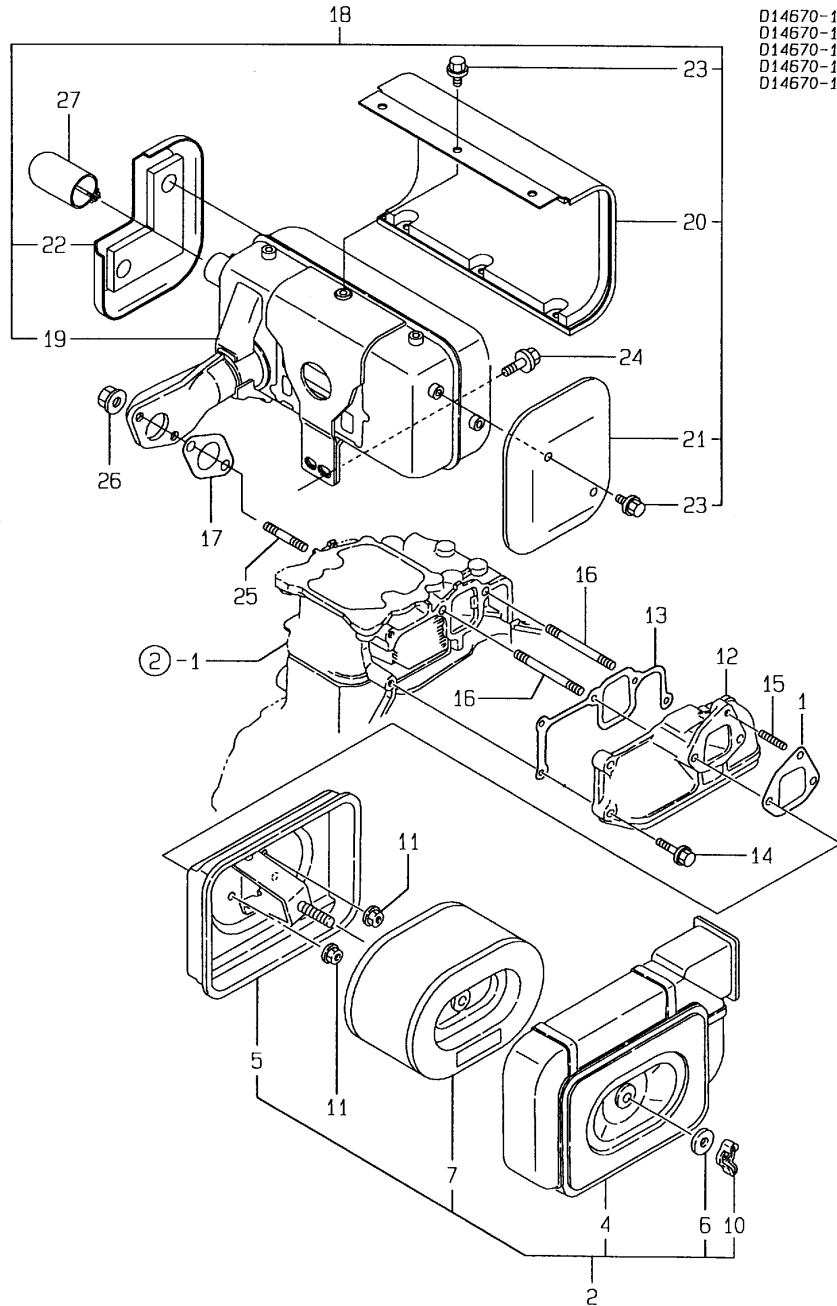
(B)=

(C)=

(D)=

(E)=

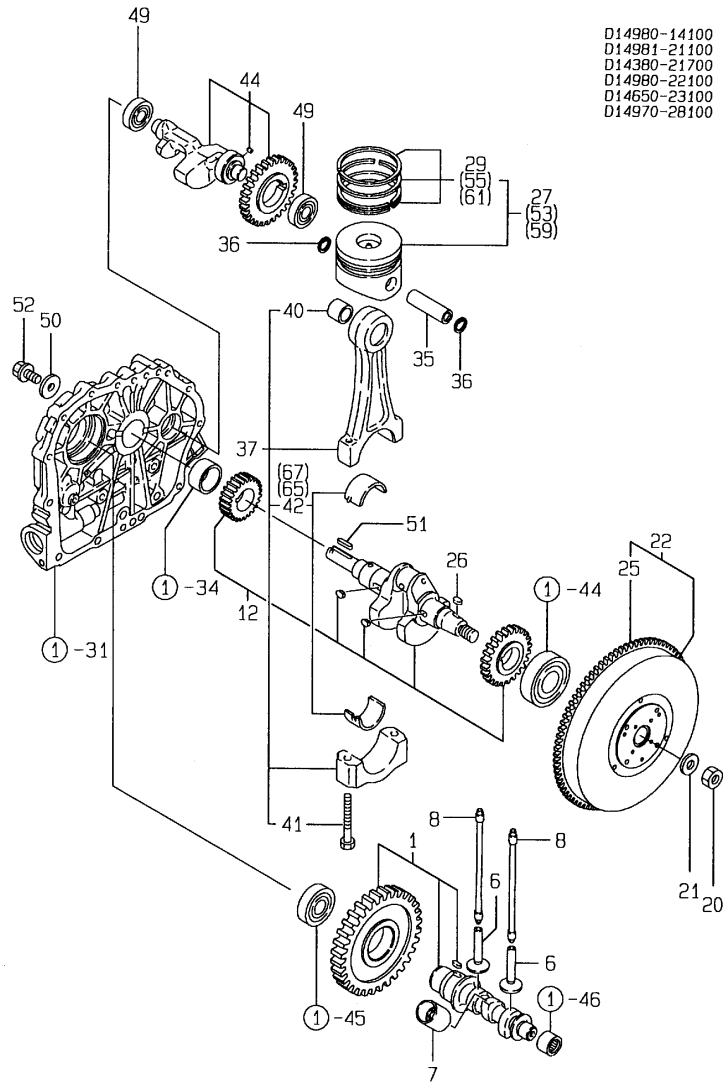
(F)=



D14670-12100
 D14670-12500
 D14670-12600
 D14670-13600
 D14670-13800

No.	Lev.	Parts No.	Description	Q'ty						I	R
				(A)	(B)	(C)	(D)	(E)	(F)		
1	1	114650-12210	GASKET, AIR CLEANER	1							
2	1	714650-12560	CLEANER ASSY, AIR	1							
4	2	114650-12520	COVER, AIR CLEANER	1							
5	2	114650-12530	CASE ASSY, CLEANER	1							
6	2	114252-12560	WASHER, SEAL M8	1							
7	2	114650-12590	ELEMENT ASSY	1							
10	2	114252-12550	NUT, WING M8	1							
11	1	26366-060002	NUT, M6	3							
12	1	114650-12020	PIPE, AIR INTAKE	1							
13	1	114650-12300	GASKET	1							
14	1	26106-060252	BOLT, M6X 25 PLATED	3							
15	1	26226-060142	STUD, M6X 14	1							
16	1	26226-060752	STUD, M6X 75	2							
17	1	114650-13200	GASKET, MUFFLER	1							
18	1	114674-13550	MUFFLER ASSY	1							
19	2	114674-13510	MUFFLER	1							
20	2	183382-13700	COVER	1							
21	2	114970-13710	COVER	1							
22	2	114973-13710	COVER	1							
23	2	160260-01580	BOLT, FLANGE M6X6	10							
24	1	26106-080162	BOLT, M8X 16 PLATED	2							
25	1	26226-080202	STUD, M8X 20	2							
26	1	26366-080002	NUT, M8	2							
27	1	114650-13800	EXTENSION ASSY	1							

Fig.4. CRANKSHAFT, PISTON & CAMSHAFT



(A)=L100ADEVSA

(B)=

(C)=

(D)=

(E)=

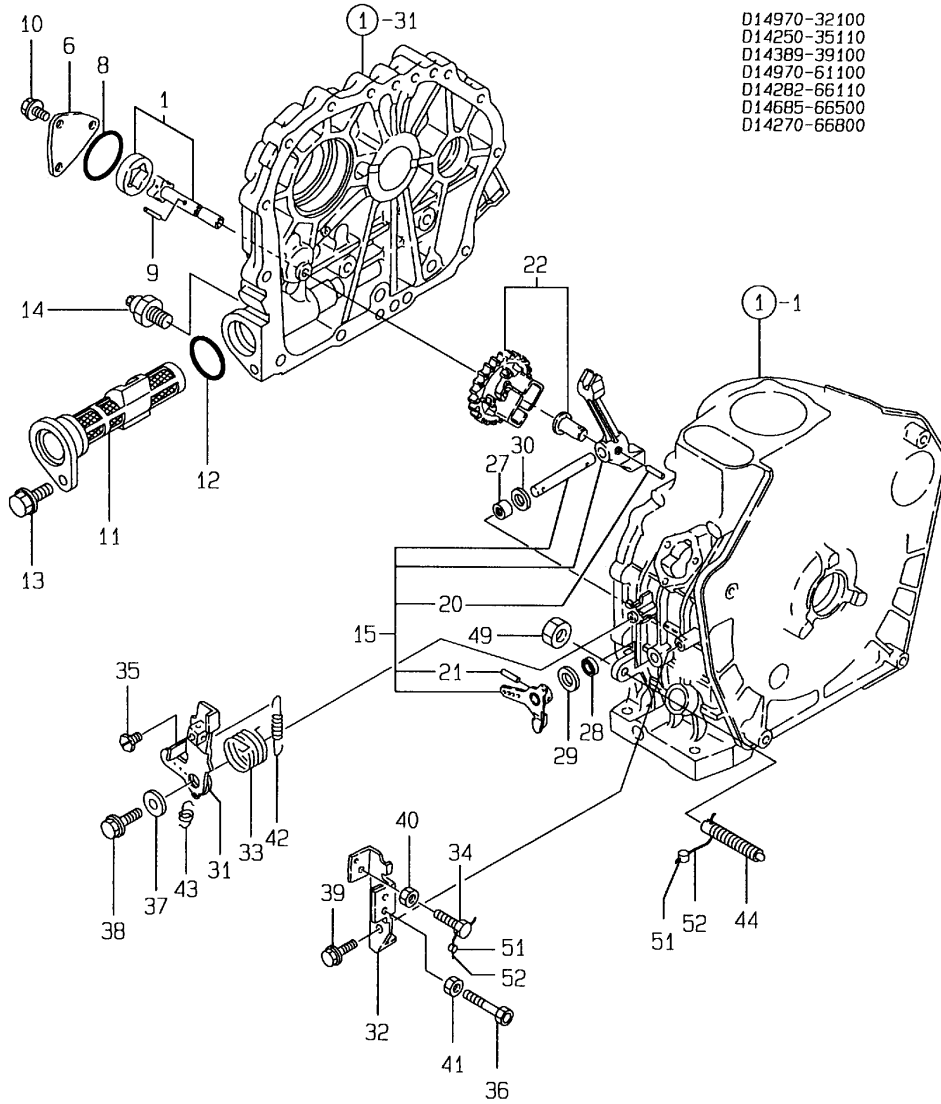
(F)=

No.	Lev.	Parts No.	Description	Q'ty						I	R
				(A)	(B)	(C)	(D)	(E)	(F)		
1	1	714689-14580	CAMSHAFT ASSY	1							
6	1	114650-14200	TAPPET	2							
7	1	114250-14260	TAPPET	1							
8	1	114650-14401	ROD ASSY, PUSH	2							
12	1	714981-21700	CRANKSHAFT ASSY	1							
20	1	122710-01220	NUT, CYLINDER HEAD	1							
21	1	114650-21551	WASHER	1							
22	1	114985-21690	FLYWHEEL ASSY	1							
25	2	114662-21601	GEAR, RING	1							
26	1	22512-050140	KEY, 5X 14	1							
27	1	714980-22720	PISTON ASSY, D	1							
29	2	714970-22500	RING SET, PISTON	1							
35	1	114650-22300	PIN, PISTON D=23	1							
36	1	129792-22400	CIRCLIP, 23	2							
37	1	714650-23700	ROD ASSY, CONNECTING	1							
40	2	124060-23100	BEARING, PISTON PIN	1							
41	2	104200-23201	BOLT, CONNECTING ROD	2							
42	2	714650-23600	BEARING, CRANK PIN	1							
44	1	714650-28510	SHAFT ASSY, BALANCER	1							
49	1	24101-062034	BEARING, BALL 6203	2							
50	1	160310-14550	WASHER	1							
51	1	22512-070360	KEY, 7X 36	1							
52	1	26106-080202	BOLT, M8X 20 PLATED	1							
53	1	714980-22620	PISTON ASSY, 0.25 OS	1							1
55	2	714970-22540	RING SET, 0.25 OS	1							1
59	1	714980-22580	PISTON ASSY, 0.50 OS	1							2
61	2	714970-22550	RING SET, 0.50 OS	1							2
65	1	714650-23610	BEARING ASSY, 0.25	1							3
67	1	714650-23620	BEARING, 0.50 US	1							4

Remarks

- (1) OVER-SIZE(O.S=0.25)PART.
- (2) OVER-SIZE(O.S=0.50)PART.
- (3) UNDER-SIZE(U.S=0.25)PART.
- (4) UNDER-SIZE(U.S=0.50)PART.

Fig.5. LUB. OIL PUMP & GOVERNOR



(A)=L100ADEVSA

(B)=

(C)=

(D)=

(E)=

(F)=

No.	Lev.	Parts No.	Description	Qty						I	R
				(A)	(B)	(C)	(D)	(E)	(F)		
1	1	114650-32010	PUMP ASSY, OIL	1							
6	1	114250-32070	COVER	1							
8	1	103338-32570	O-RING	1							
9	1	22312-030160	PIN, PARALLEL M3X16	1							
10	1	26476-060142	SCREW, TAPPING M6X14	3							
11	1	114250-35070	FILTER, OIL	1							
12	1	24341-000224	O-RING, 1AS22.4	1							
13	1	26106-060162	BOLT, M6X 16 PLATED	1							
14	1	121252-39450	SWITCH, 0.5KG	1							
15	1	714650-61500	LEVER ASSY, GOVERNOR	1							
20	2	22322-030200	PIN, TAPER 3X20	1							
21	2	22322-030200	PIN, TAPER 3X20	1							
22	1	714650-61700	GOVERNOR ASSY	1							
27	1	121450-61520	BEARING, NEEDLE 8	2							
28	1	114770-61600	SEAL, OIL	1							
29	1	114770-61610	WASHER, THRUST	1							
30	1	22137-080000	WASHER, 8	1							
31	1	114252-66060	HANDLE, REGULATOR	1							
32	1	114252-66120	BRACKET	1							
33	1	114252-66252	SPRING, RETURN	1							
34	1	114250-66440	BOLT, ADJUSTING	1							
35	1	105225-66990	SCREW, M5X8.5	1							
36	1	102100-67080	BOLT, ADJUSTING	1							
37	1	160120-76940	WASHER	1							
38	1	26106-060202	BOLT, M6X 20 PLATED	1							
39	1	26476-060142	SCREW, TAPPING M6X14	1							
40	1	26757-060002	NUT, LOCK M6	1							
41	1	26757-060002	NUT, LOCK M6	1							
42	1	114650-66010	SPRING, REGULATOR	1							
43	1	114250-66200	SPRING, RETURN	1							
44	1	114650-66600	LIMITER ASSY, FUEL	1							
49	1	26696-100002	NUT, LOCK M10	1							
51	1	135210-61090	LEAD	2							
52	1	22451-060000	WIRE, 0.6	2							

Fig.6. COOLING DEVICE

(A)=L100ADEVSA

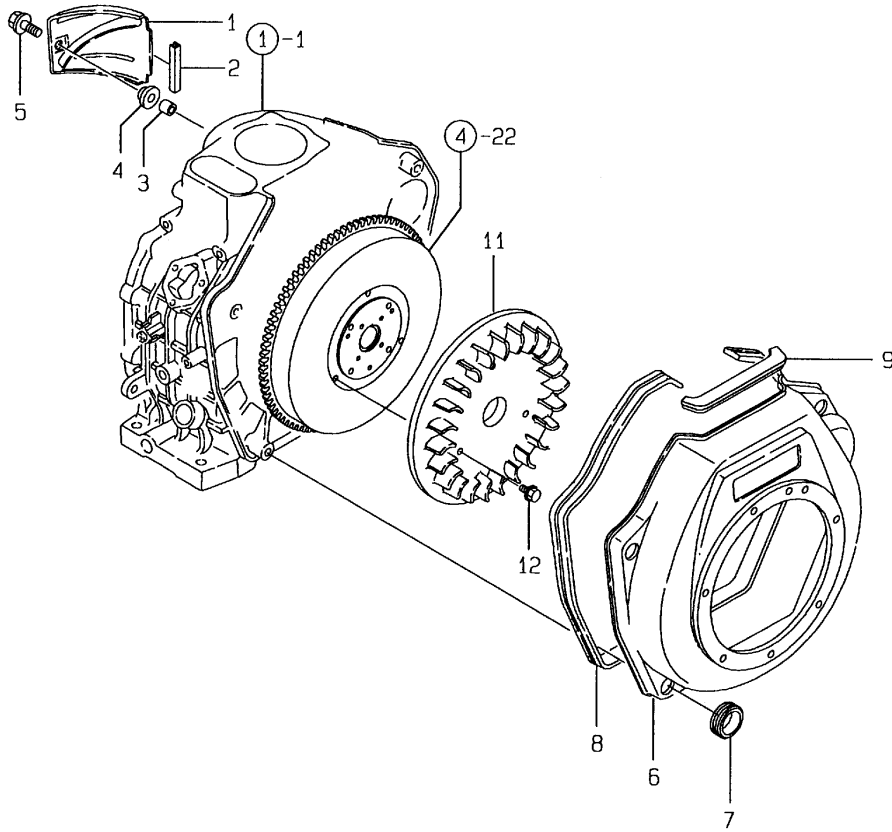
(B)=

(C)=

(D)=

(E)=

(F)=



D14670-45100

No.	Lev.	Parts No.	Description	Q'ty						I	R
				(A)	(B)	(C)	(D)	(E)	(F)		
1	1	114650-45200	COVER	1							
2	1	114350-45320	RUBBER, SEAL	1							
3	1	114350-45340	COLLAR	1							
4	1	183720-55210	GROMMET	1							
5	1	26476-060202	SCREW, TAPPING M6X20	1							
6	1	114984-45100	CASE, COOLING FAN	1							
7	1	114984-45300	ABSORBER	4							
8	1	114984-45330	SEAL, FAN CASE	1							
9	1	114984-45350	SEAL	1							
11	1	114984-45400	FAN, COOLING	1							
12	1	26106-080122	BOLT, M8X 12 PLATED	3							

Fig.7. FUEL INJECTION PUMP

(A)=L100ADEVSA

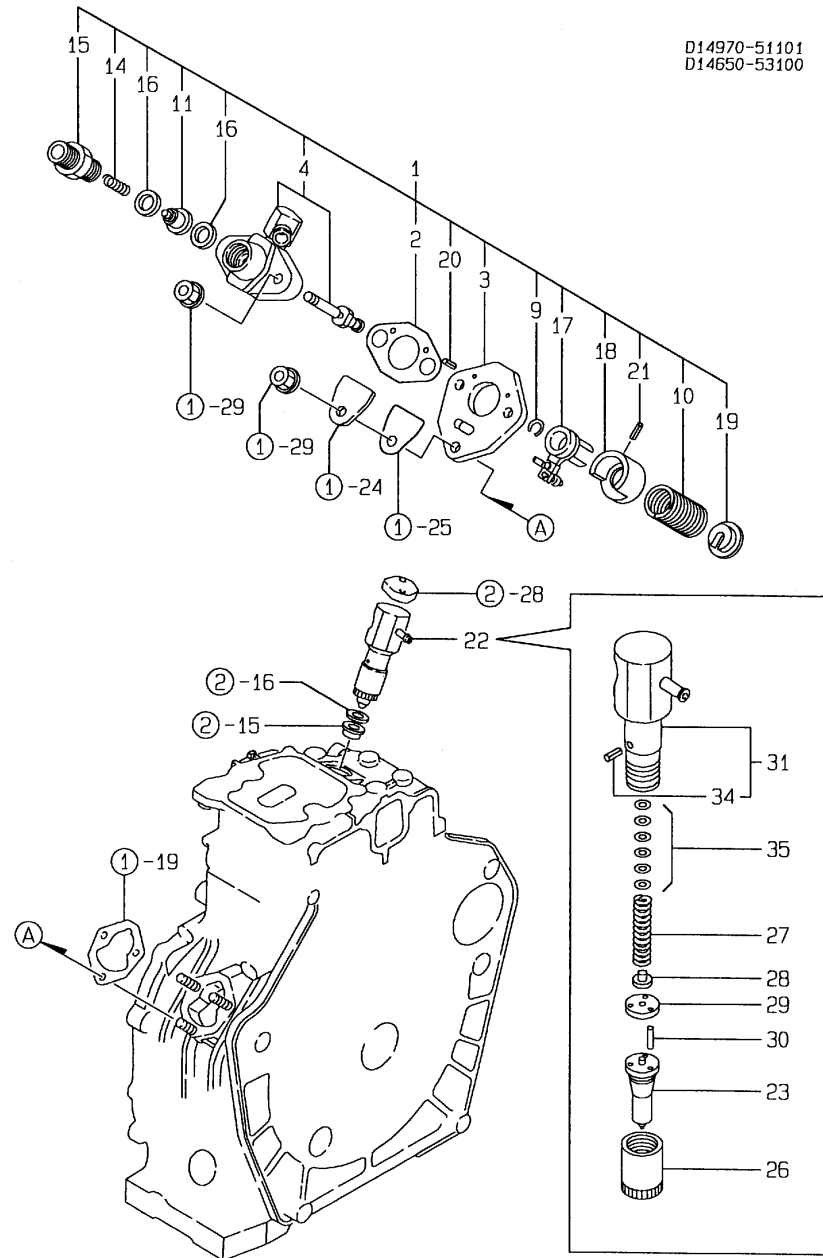
(B)=

(C)=

(D)=

(E)=

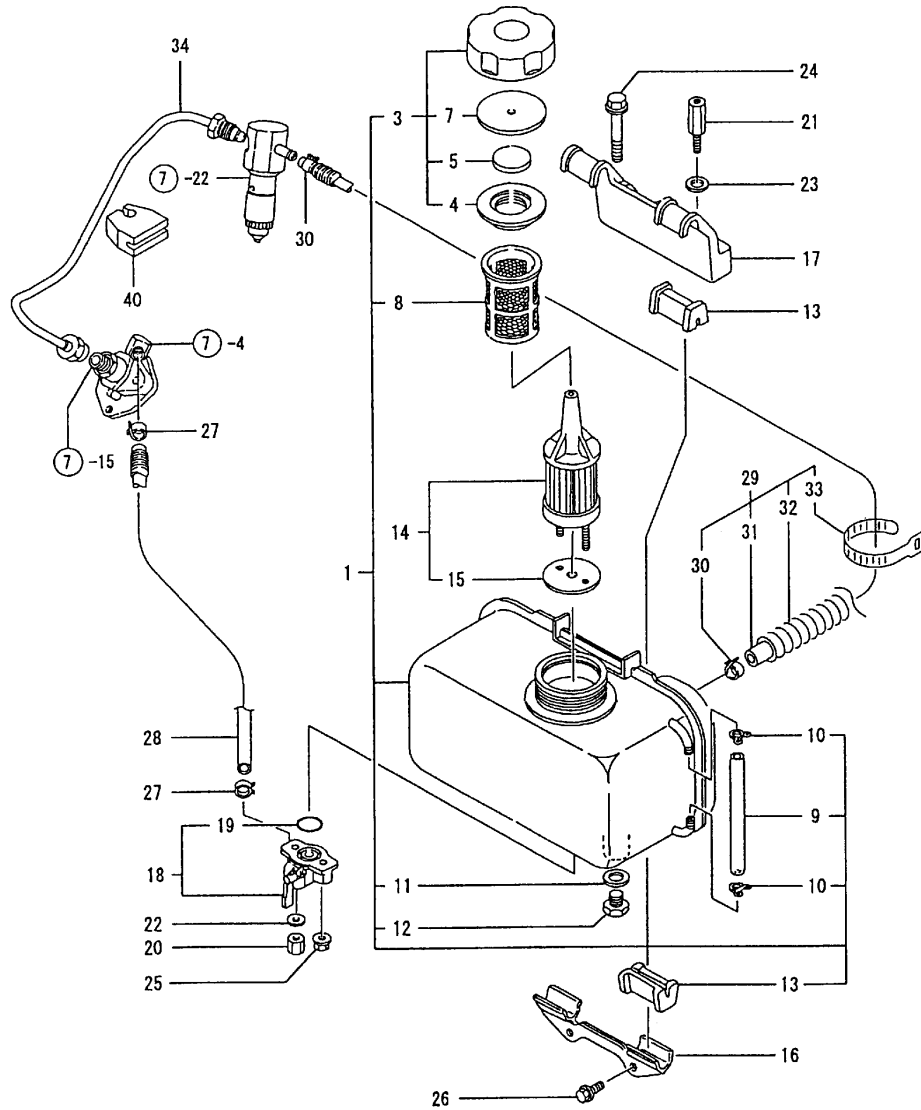
(F)=



No.	Lev.	Parts No.	Description	Q'ty						I	R
				(A)	(B)	(C)	(D)	(E)	(F)		
1	1	714970-51700	PUMP ASSY, INJECTION	1							
2	2	105546-51020	GASKET	1							
3	2	114250-51080	PLATE	1							
4	2	114970-51100	BODY ASSY, PUMP	1							
9	2	114250-51150	RING, SNAP	1							
10	2	114250-51160	SPRING, PLUNGER	1							
11	2	114650-51300	VALVE ASSY, DELIVERY	1							
14	2	105546-51330	SPRING, DELIVERY	1							
15	2	114250-51340	HOLDER, DELIVERY	1							
16	2	124550-51350	GASKET, DELIVERY	2							
17	2	114250-51600	LEVER ASSY, CONTROL	1							
18	2	114250-51640	SEAT, SPRING A	1							
19	2	114250-51650	SEAT, SPRING B	1							
20	2	22351-020006	PIN, SPRING 2.0X 6	2							
21	2	22351-030008	PIN, SPRING 3.0X 8	1							
22	1	714650-53100	VALVE ASSY, INJECTION	1							
23	2	114650-53000	VALVE ASSY, INJECTION	1							
26	2	114250-53080	NUT, NOZZLE D16.95	1							
27	2	114250-53120	SPRING, NOZZLE	1							
28	2	114250-53130	SEAT, SPRING	1							
29	2	114250-53140	PLATE	1							
30	2	114250-53210	PIN	2							
31	2	114650-53300	HOLDER ASSY, NOZZLE	1							
34	3	114250-53331	PIN	1							
35	2	114250-53400	SHIM SET	1							

Fig.8. FUEL TANK & FUEL PIPE

発行No. 000Y0004360-1
 更新年月: 2004. 07
 REVISED: Jul., 2004



(A)=L100ADEVSA

(B)=

(C)=

(D)=

(E)=

(F)=

No.	Lev.	Parts No.	Description	Q'ty						I	R
				(A)	(B)	(C)	(D)	(E)	(F)		
1	1	714650-55701	TANK ASSY, FUEL	1							
3	2	114250-55041	CAP ASSY	1							
4	3	114250-55050	GASKET	1							
5	3	114250-55060	SEAL	1							
7	3	114250-55080	SEAT	1							
8	2	114250-55100	FILTER, FUEL	1							
9	2	114650-55150	GAUGE, LEVEL	1							
10	2	124722-59050	CLIP, HOSE 9	2							
11	2	23414-120000	GASKET, 12X1.0	1							
12	2	23887-120002	PLUG, 12	1							
13	2	114250-55201	DAMPER, FUEL TANK	4							
14	1	114650-55120	FILTER ASSY, FUEL	1							
15	2	114250-55130	GASKET	1							
16	1	114250-55211	STAY, FUEL TANK	1							
17	1	114650-55230	STAY, FUEL TANK	1							
18	1	114250-55300	COCK ASSY, FUEL	1							
19	2	24341-000150	O-RING, 1AS15.0	1							
20	1	114252-55800	NUT	1							
21	1	114650-55810	BOLT	1							
22	1	22117-060000	WASHER, 6	1							
23	1	22117-080000	WASHER, 8	1							
24	1	26106-080452	BOLT, M8X 45 PLATED	1							
25	1	26366-060002	NUT, M6	1							
26	1	26476-060142	SCREW, TAPPING M6X14	2							
27	1	106990-44660	CLIP, HOSE 12.5	2							
28	1	114250-59050	PIPE, FUEL L=46	1							
29	1	114652-59300	PIPE, FUEL RETURN	1							
30	2	124722-59050	CLIP, HOSE 9	2							
31	2	114250-59060	PIPE, FUEL RETURN	1							
32	2	114652-59310	TUBE, PROTECT	1							
33	2	121750-59890	BAND, 140	1							
34	1	114650-59800	PIPE ASSY, INJECTION	1							
40	1	114650-59850	SUPPORT	1							

Fig.9. STARTING MOTOR & DYNAMO

(A)=L100ADEVSA

(B)=

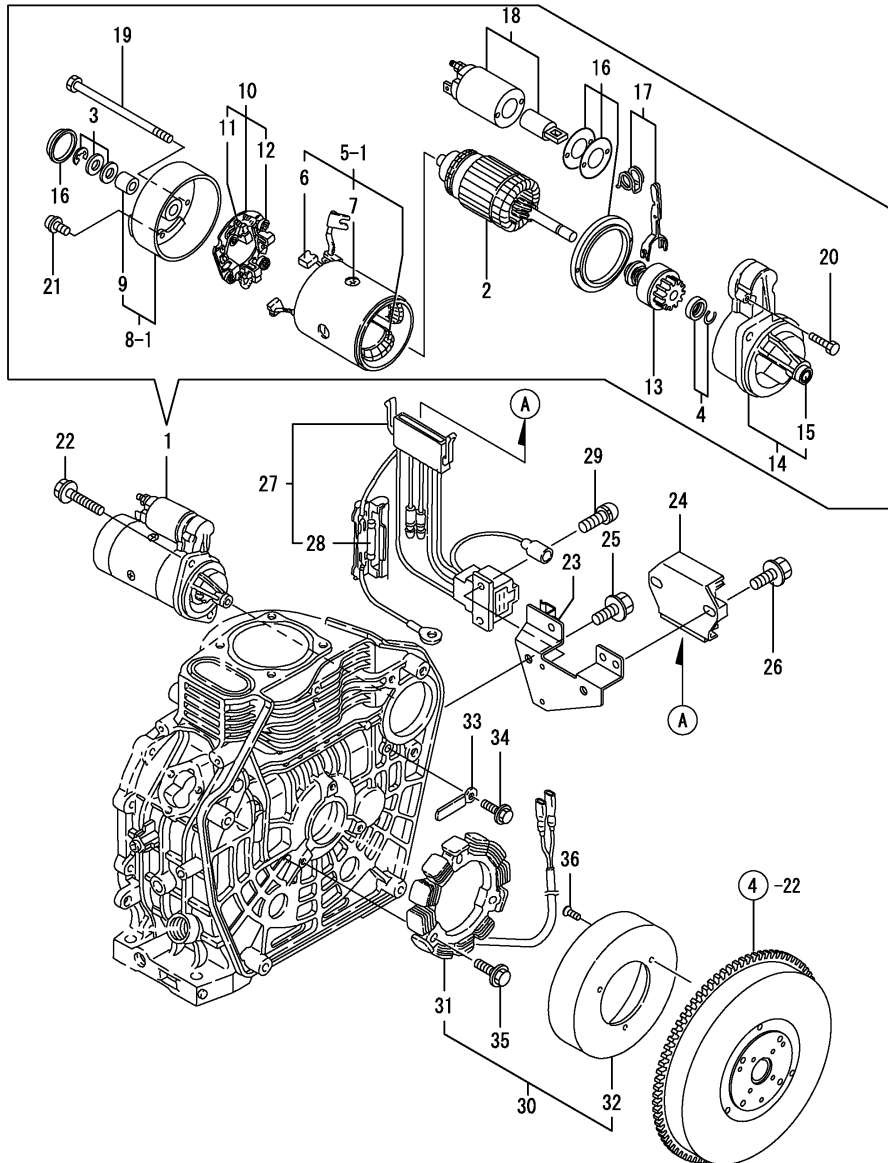
(C)=

(D)=

(E)=

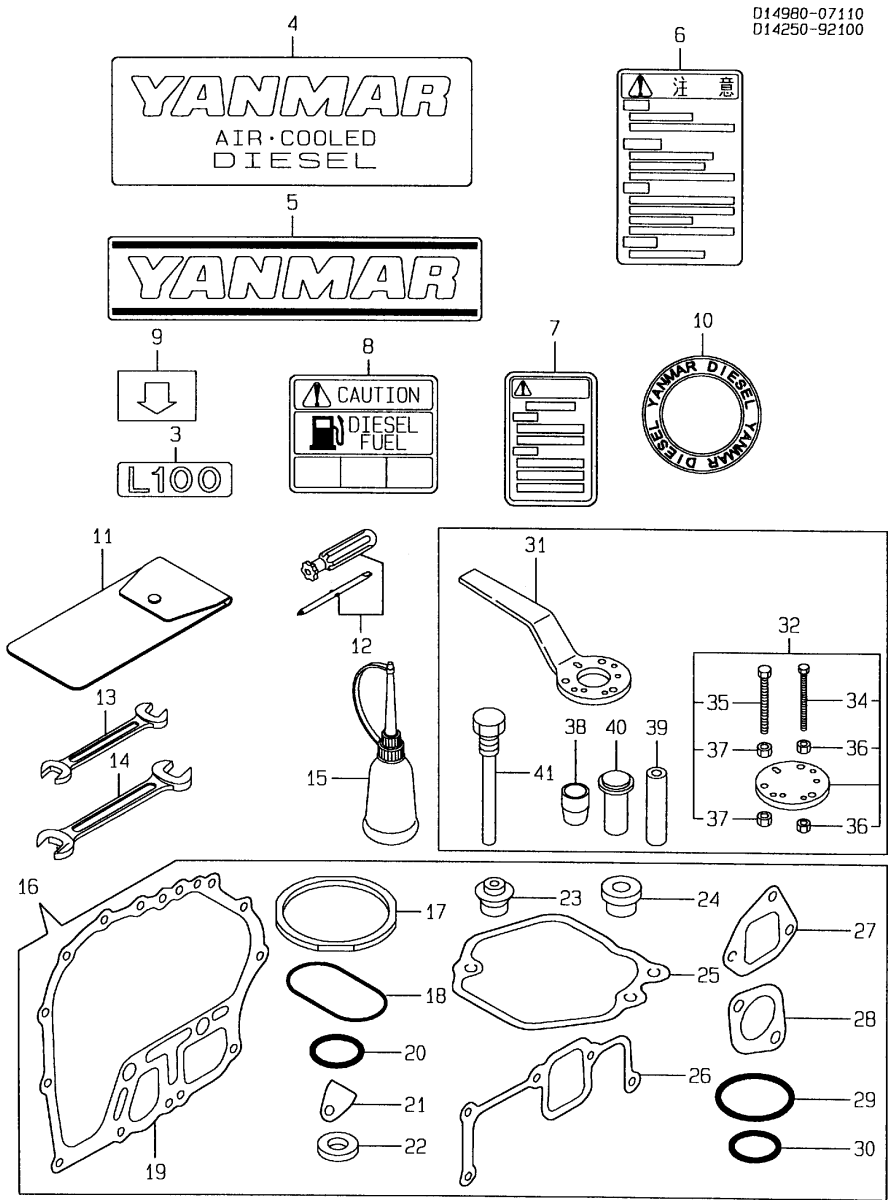
(F)=

発行No. 000Y00D4360-2
更新年月: 2005.05
REVISED: May, 2005



No.	Lev.	Parts No.	Description	Q'ty						I	R
				(A)	(B)	(C)	(D)	(E)	(F)		
1	1	114362-77010	STARTER, S114-414A	1							
2	2	X211461008	ARMATURE	1							
3	2	X21148110	WASHER SET, THRUST	1							
4	2	X21147155	STOPPER SET, PINION	1							
5-1	2	X211492108	COIL ASSY, FIELD	1							
6	3	X21145312	BRUSH, +	2							
7	3	X21143215	SCREW, CORE	4							
8-1	2	X211473008	COVER, REAR	1							
9	3	X21145352	METAL	1							
10	2	X211489001	HOLDER ASSY, BRUSH	1							
11	3	X21148313	BRUSH (-)	1							
12	3	X21149314	SPRING, BRUSH	3							
13	2	X211445508	PINION ASSY	1							
14	2	X211416603	HOUSING ASSY, GEAR	1							
15	3	X21145352	METAL	1							
16	2	X211478006	COVER KIT	1							
17	2	X211456013	LEVER KIT, SHIFT	1							
18	2	X211427501	SWITCH, MAGNETIC	1							
19	2	X211468005	BOLT, THROUGH	2							
20	2	X21145867	BOLT, M6	2							
21	2	X21142835	SCREW SET	1							
22	1	26106-100302	BOLT, M10X 30 PLATED	2							
23	1	114385-77400	BRACKET	1							
24	1	119660-77710	LIMITER, CURRENT 15A	1							
25	1	26106-060122	BOLT, M6X 12 PLATED	2							
26	1	26106-060202	BOLT, M6X 20 PLATED	2							
27	1	114351-77540	HARNES, WIRE	1							
28	2	29411-150000	FUSE, CARTRIDGE 15A	2							
29	1	26023-040102	SCREW, M4X10	2							
30	1	114351-78290	DYNAMO ASSY	1							
31	2	114351-78830	STATOR ASSY, 132.1MM	1							
32	2	114351-78840	WHEEL, DYNAMO	1							
33	1	160710-78710	CLAMP, CORD	1							
34	1	26476-060142	SCREW, TAPPING M6X14	1							
35	1	26476-060202	SCREW, TAPPING M6X20	3							
36	1	26577-060142	SCREW M 6X 14	3							

Fig.10. TOOL, LABEL & GASKET SET



(A)=L100ADEVSA

(B)=

(C)=

(D)=

(E)=

(F)=

No.	Lev.	Parts No.	Description	Q'ty						I	R
				(A)	(B)	(C)	(D)	(E)	(F)		
3	1	114970-07050	LABEL, (L100A)	1							
4	1	114250-07090	LABEL, AIR COOLED	1							
5	1	114250-07110	LABEL, YANMAR	1							
6	1	114250-07240	LABEL, CAUTION	1							
7	1	114250-07250	LABEL, HOW TO START	1							
8	1	114250-07260	LABEL, OPERATION	1							
9	1	114250-07270	LABEL, DECOMP.	1							
10	1	114250-07350	LABEL, YANMAR DIESEL	1							
11	1	114250-92600	BAG, TOOL	1							
12	1	160330-92730	DRIVE, SCREW	1							
13	1	28110-100120	SPANNER, 10X12	1							
14	1	28110-140170	SPANNER, 14X17	1							
15	1	28210-000150	OILER	1							
16	1	714980-92600	GASKET SET	1							1
17	2	114970-01340	GASKET, HEAD	1							
18	2	114650-01380	O-RING	1							
19	2	114650-01412	GASKET, CRANK CASE	1							
20	2	24311-000180	O-RING, 1AP18.0	1							
21	2	114250-01840	GASKET	1							
22	2	43400-500490	SEAL WASHER 16	3							
23	2	114650-11340	SEAL, VALVE STEM	2							
24	2	114250-11460	GASKET, NOZZLE	1							
25	2	114650-11310	GASKET, BONNET	1							
26	2	114650-12300	GASKET	1							
27	2	114650-12210	GASKET, AIR CLEANER	1							
28	2	183671-13210	GASKET	1							
29	2	103338-32570	O-RING	1							
30	2	24341-000224	O-RING, 1AS22.4	1							
31	1	114250-92101	F.W. LOCKING HANDLE	1							1
32	1	114250-92130	REMOVER, FLYWHEEL	1							1
34	2	26116-060454	BOLT M 6X 45 PLATED	4							1
35	2	26116-080454	BOLT, M8X 45 PLATED	3							1
36	2	26716-060002	NUT, M6	8							1
37	2	26716-080002	NUT, M8	6							1
38	1	114668-92300	GUIDE, OIL SEAL	1							1
39	1	114650-92310	INSTALLING TOOL	1							1
40	1	114650-92350	INSTALLING TOOL	1							1
41	1	183662-92350	TOOL, ROTOR REMOVER	1							1

Remarks

(1) OPTIONAL PART.

Parts No. Index

Parts No.	Fig. No.	Ref. No.
102100-67080	5	36
103338-32570	5	8
	10	29
104200-23201	4	41
104211-11370	2	14
		27
105025-01220	1	12
105225-66990	5	35
105425-01690	1	38
105546-51020	7	2
105546-51330	7	14
106990-44660	8	27
114250-01800	1	19
114250-01830	1	24
114250-01840	1	25
	10	21
114250-02030	1	43
114250-03591	2	36
114250-03640	2	39
114250-07090	10	4
114250-07110	10	5
114250-07240	10	6
114250-07250	10	7
114250-07260	10	8
114250-07270	10	9
114250-07350	10	10
114250-11240	2	20
		25
114250-11460	2	15
	10	24
114250-11900	2	28
114250-14260	4	7
114250-32070	5	6
114250-35070	5	11
114250-35150	1	36
114250-51080	7	3
114250-51150	7	9
114250-51160	7	10
114250-51340	7	15
114250-51600	7	17
114250-51640	7	18
114250-51650	7	19
114250-53080	7	26
114250-53120	7	27
114250-53130	7	28
114250-53140	7	29
114250-53210	7	30
114250-53331	7	34
114250-53400	7	35
114250-55041	8	3

Parts No.	Fig. No.	Ref. No.
114250-55050	8	4
114250-55060	8	5
114250-55080	8	7
114250-55100	8	8
114250-55130	8	15
114250-55201	8	13
114250-55211	8	16
114250-55300	8	18
114250-59050	8	28
114250-59060	8	31
114250-66200	5	43
114250-66440	5	34
114250-92101	10	31
114250-92130	10	32
114250-92600	10	11
114252-12550	3	10
114252-12560	3	6
114252-55800	8	20
114252-66060	5	31
114252-66120	5	32
114252-66252	5	33
114350-01700	1	6
114350-11470	2	16
114350-45320	6	2
114350-45340	6	3
114351-77540	9	27
114351-78290	9	30
114351-78830	9	31
114351-78840	9	32
114352-39400	1	51
114352-39410	1	52
114362-77010	9	1
114385-77400	9	23
114650-01230	1	13
114650-01240	1	14
114650-01250	1	15
114650-01260	1	16
114650-01380	1	18
	10	18
114650-01412	1	30
	10	19
114650-02100	1	34
114650-02150	1	44
114650-02200	1	54
114650-02210	1	55
114650-11010	2	1
114650-11100	2	6
114650-11121	2	8
114650-11261	2	12
114650-11310	2	33

Parts No.	Fig. No.	Ref. No.
114650-11310	10	25
114650-11340	2	13
	10	23
114650-11600	2	17
114650-11652	2	18
114650-11951	2	34
114650-12020	3	12
114650-12210	3	1
	10	27
114650-12300	3	13
	10	26
114650-12520	3	4
114650-12530	3	5
114650-12590	3	7
114650-13200	3	17
114650-13800	3	27
114650-14200	4	6
114650-14401	4	8
114650-21551	4	21
114650-22300	4	35
114650-32010	5	1
114650-45200	6	1
114650-51300	7	11
114650-53000	7	23
114650-53300	7	31
114650-55120	8	14
114650-55150	8	9
114650-55230	8	17
114650-55810	8	21
114650-59800	8	34
114650-59850	8	40
114650-66010	5	42
114650-66600	5	44
114650-92310	10	39
114650-92350	10	40
114652-59300	8	29
114652-59310	8	32
114654-11110	2	7
114660-01470	1	31
114662-21601	4	25
114668-92300	10	38
114674-13510	3	19
114674-13550	3	18
114770-61600	5	28
114770-61610	5	29
114970-01340	1	17
	10	17
114970-07050	10	3
114970-13710	3	21
114970-51100	7	4

Parts No.	Fig. No.	Ref. No.
114973-13710	3	22
114984-01300	1	8
114984-01310	1	9
114984-01320	1	10
114984-45100	6	6
114984-45300	6	7
114984-45330	6	8
114984-45350	6	9
114984-45400	6	11
114985-21690	4	22
119620-11180	2	9
119660-77710	9	24
121252-39450	5	14
121450-61520	5	27
121750-59890	8	33
122710-01220	4	20
124060-23100	4	40
124550-51350	7	16
124722-59050	8	10
		30
129792-22400	4	36
135210-61090	5	51
160120-76940	5	37
160260-01580	3	23
160310-14550	4	50
160330-92730	10	12
160710-78710	9	33
160910-01740	1	39
171008-03990	1	53
183366-08351	1	50
183382-13700	3	20
183662-92350	10	41
183671-13210	10	28
183720-55210	6	4
22117-060000	8	22
22117-080000	8	23
22137-080000	5	30
22312-030160	2	41
	5	9
22312-080120	1	26
22322-030200	5	20
		21
22351-020006	7	20
22351-030008	7	21
22351-040008	2	29
22451-060000	5	52
22512-050140	4	26
22512-070360	4	51
23414-120000	8	11
23887-120002	8	12

Parts No. Index

Parts No.	Fig. No.	Ref. No.
24101-062034	4	49
24101-062070	1	45
24162-152112	1	46
24311-000180	1	41
	10	20
24341-000150	8	19
24341-000224	5	12
	10	30
24423-355008	1	47
		48
26023-040102	9	29
26106-060122	9	25
26106-060162	5	13
26106-060202	5	38
	9	26
26106-060252	3	14
26106-060702	2	44
26106-080122	1	49
	6	12
26106-080162	3	24
26106-080202	4	52
26106-080352	1	37
26106-080452	8	24
26106-081002	1	11
26106-100122	1	7
26106-100302	9	22
26106-100552	2	30
26116-060454	10	34
26116-080454	10	35
26226-060142	3	15
26226-060182	1	27
26226-060222	1	28
26226-060502	2	31
26226-060752	3	16
26226-080202	3	25
26366-060002	1	29
	2	32
	3	11
	8	25
26366-080002	3	26
26476-060142	5	10
		39
	8	26
	9	34
26476-060202	6	5
	9	35
26577-060142	9	36
26696-100002	5	49
26716-060002	10	36
26716-080002	10	37

Parts No.	Fig. No.	Ref. No.
26756-060002	2	21
		26
26757-060002	5	40
		41
27310-070001	2	10
28110-100120	10	13
28110-140170	10	14
28210-000150	10	15
29411-150000	9	28
43400-500490	1	42
	10	22
714650-12560	3	2
714650-23600	4	42
714650-23610	4	65
714650-23620	4	67
714650-23700	4	37
714650-28510	4	44
714650-53100	7	22
714650-55701	8	1
714650-61500	5	15
714650-61700	5	22
714670-11660	2	22
714689-14580	4	1
714970-22500	4	29
714970-22540	4	55
714970-22550	4	61
714970-51700	7	1
714980-22580	4	59
714980-22620	4	53
714980-22720	4	27
714980-92600	10	16
714981-21700	4	12
714985-01560	1	1
X211416603	9	14
X211427501	9	18
X21142835	9	21
X21143215	9	7
X211445508	9	13
X21145312	9	6
X21145352	9	9
		15
X211456013	9	17
X21145867	9	20
X211461008	9	2
X211468005	9	19
X21147155	9	4
X211473008	9	8 -1
X211478006	9	16
X21148110	9	3
X21148313	9	11

Parts No.	Fig. No.	Ref. No.
X211489001	9	10
X211492108	9	5 -1
X21149314	9	12

Parts No.	Fig. No.	Ref. No.
-----------	----------	----------