

OCD10-M43100EN

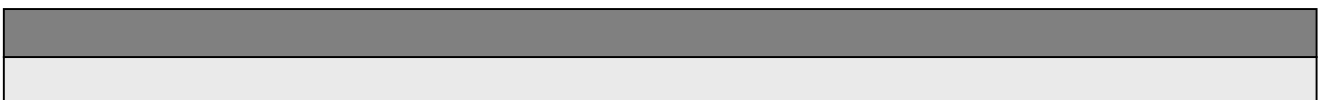
PREFACE

1. This Parts Catalog is the 1st edition of 4TN82L-RNKVM Diesel Engine for HANIX IND..

Pub. No. : 000Y00D4310
Published : November, 1991

2. Model name

Engine model	Vehicle		Vehicle made by
	Products	Model name	
4TN82L-RNKVM	—	—	HANIX IND.



Directions for the Parts Catalog.

1. This Parts Catalog shows both standard and optional parts.
2. Parts may change without prior notice.
3. The following is an example of the Parts Catalog format.

REF.	LEV.	PARTS NO.	DESCRIPTION	Q'TY						I	R
				(A)	(B)	(C)	(D)	(E)	(F)		
1	1	729595-51390	FUEL INJECTION PUMP	1	1	1	1	1			1
1-1	1	729595-51391	FUEL INJECTION PUMP	1	1	1	1	1		N	1
		(A=E00185) (B=E00200)									
3	2	26022-060162	SCREW M 6X 16	9	9	9	9	9			
3-1	2	26022-060162	SCREW M 6X 16	4	4	4	4	4		K	
		(A=E00156) (B=E00156) (C=E00156) (D=E00156) (E=E00156)									
4	2	129470-51040	CAMSHAFT	1	1	1	1	1			
5	2	122710-51050	BEARING, ROLLER	2	2	2	2	2			
6	2	129470-51060	RETAINER	1	1	1	1	1			

Remarks
(1) BOOST COMPEMSATOR TYPE. OPTIONAL PART, TO E00155,(4JH-DT, 4JH-DTZ

① Ref. No.

The Ref. No. listed may not be in accordance with the illustration Ref. No.

(Ex.) Illustration No.

List Ref No.

1

1

(Before change)

1-1

(After change)

For interchangeable symbols N, R and K, illustrations for new parts may be abbreviated.

② Lev. (Level)

Level indication

The numbers below indicate the level of relativity towards the main part.

1 ----- Main parts (Assembly parts)

2 ----- Sub component included in " 1 ".

3 ----- Sub component included in " 2 ".

Note) Parts that are not for sale are partially illustrated but not listed.

③ Interchangeability Symbol

When a part change takes place, one of the following interchangeability symbols is indicated beside the part.

Symbol	Interchangeability	Contents note
N	Old $\begin{matrix} \leftarrow \text{Yes} \\ \text{No} \rightarrow \end{matrix}$ New	New Part is interchangeable for Old Part but Old Part is not interchangeable for New Part.
Q	Old $\begin{matrix} \leftarrow \text{No} \\ \text{Yes} \rightarrow \end{matrix}$ New	New Part is not interchangeable for Old Part but Old Part is interchangeable for New Part.
R	Old $\begin{matrix} \leftarrow \text{Yes} \\ \text{Yes} \rightarrow \end{matrix}$ New	New/ Old Parts are both interchangeable.
S	Old $\begin{matrix} \leftarrow \text{No} \\ \text{No} \rightarrow \end{matrix}$ New	New/ Old Parts are both not interchangeable.
W		Part newly added.
Z		Part discontinued.
F		Not interchangeable by a single part but interchangeable together with related parts.
K		Changes only for used parts quantities.

④ Effective Machine No.

When a part changes, the effective Machine No. will be indicated in the (A)-(F) column.

Product Symbol	Product No.	Product Symbol	Product No.
C	Clutch No. Compressor No.	F	Machine No. (Agricultural Equip.)
D	Drive No.	M	Machine No.
E	Engine No.		

Note 1) A date may follow the symbol. (Ex.) 1996.01

Note 2) "XXXXX" and "ZZZZZ" are for parts that could not be predicted or for engine models that could not be identified.

Note 3) (A=E00185) is the E (Engine Serial Number) for the column (A) model (in this case 4JH-DT) after the parts design change.

⑤ Remarks

Figures or alphabets (symbols) are entered in the remarks column.

The comments (remarks) on parts that are indicated at the bottom of the illustration are the same symbols as those stated above.

Contents

Fig. No. Fig. Name

ENGINE 4TN82L-RNKVM

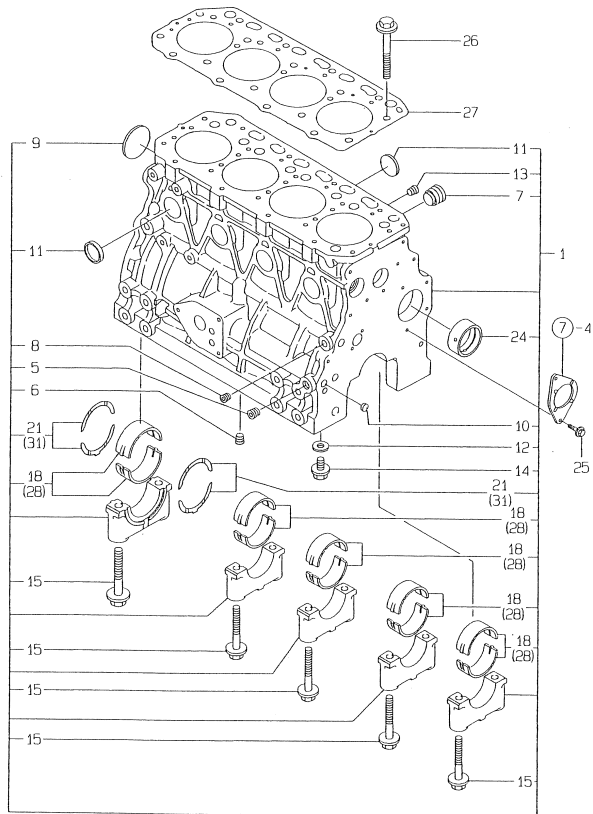
1. CYLINDER BLOCK
2. GEAR HOUSING
3. FLYWHEEL HOUSING & OIL SUMP
4. CYLINDER HEAD & BONNET
5. SUCTION MANIFOLD & AIR CLEANER
6. EXHAUST MANIFOLD & SILENCER
7. CAMSHAFT & DRIVE GEAR
8. CRANKSHAFT & PISTON
9. LUB. OIL SYSTEM
10. COOLING WATER SYSTEM
11. THERMOSTAT
12. FUEL INJECTION PUMP
13. GOVERNOR
14. FUEL INJECTION VALVE
15. FUEL PIPES
16. STARTING MOTOR
17. GENERATOR
18. GASKET SET(OPTIONAL)

Fig. No. Fig. Name

Fig.1. CYLINDER BLOCK

Y00D4310
4TNB2L-RNKVM

029402-01110
029400-01820
029250-02100
029129-02200



(A)=4TN82L-RNKVM

(B)=

(C)=

(D)=

(E)=

(F)=

No.	Lev.	Parts No.	Description	Q'ty						I	R
				(A)	(B)	(C)	(D)	(E)	(F)		
1	1	729402-01560	BLOCK ASSY, CYLINDER	1							
5	2	124160-01910	PLUG, PT1/4	2							
6	2	124160-01910	PLUG, PT1/4	1							
7	2	171051-01921	PLUG, NPTF1	1							
8	2	23871-010000	PLUG, R01	1							
9	2	27231-500000	PLUG 50	1							
10	2	27241-120000	PLUG, 12	2							
11	2	27241-300000	PLUG 30	8							
12	2	23414-080000	GASKET, 8X1.0	4							
13	2	23871-030000	PLUG, R03	1							
14	2	26106-080122	BOLT, M8X 12 PLATED	4							
15	2	129150-02020	BOLT, METAL CAP	10							
18	2	129150-02800	BEARING, MAIN	5							
21	2	129150-02930	BEARING, THRUST	2							
24	2	129795-02411	BUSH, CAMSHAFT	1							
25	1	26106-080162	BOLT, M8X 16 PLATED	2							
26	1	129150-01200	BOLT, HEAD	18							
27	1	129402-01321	GASKET, HEAD	1							
28	1	129150-02870	BEARING, 0.25 US	5							1
31	1	129150-02940	BEARING, THRUST 0.25	1							2

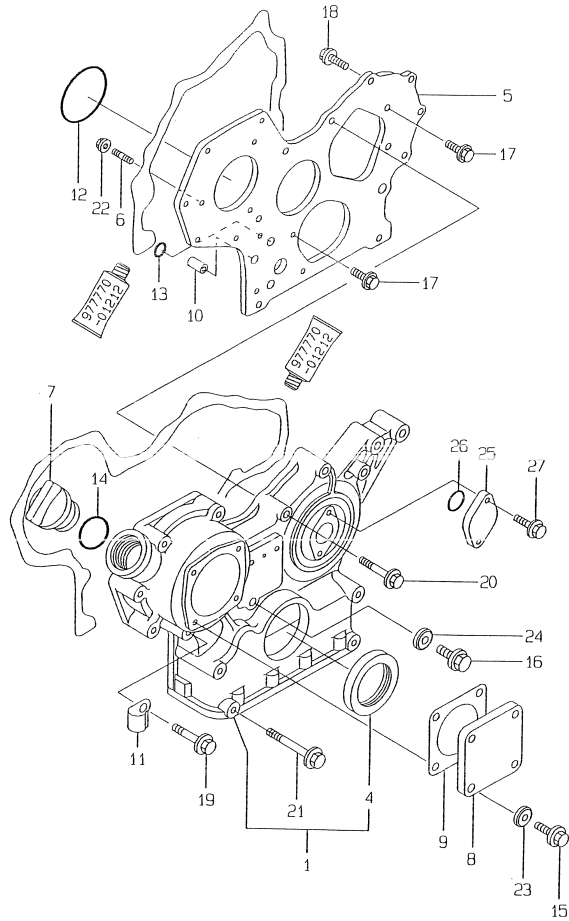
Remarks

- (1) UNDER-SIZE (U.S=0.25) PART.
- (2) OVER-SIZE (O.S=0.25) PART.

Fig.2. GEAR HOUSING

Y00D4310
4TNB2L-RNKVM

D29400-01220
D29100-01810



(A)=4TN82L-RNKVM

(B)=

(C)=

(D)=

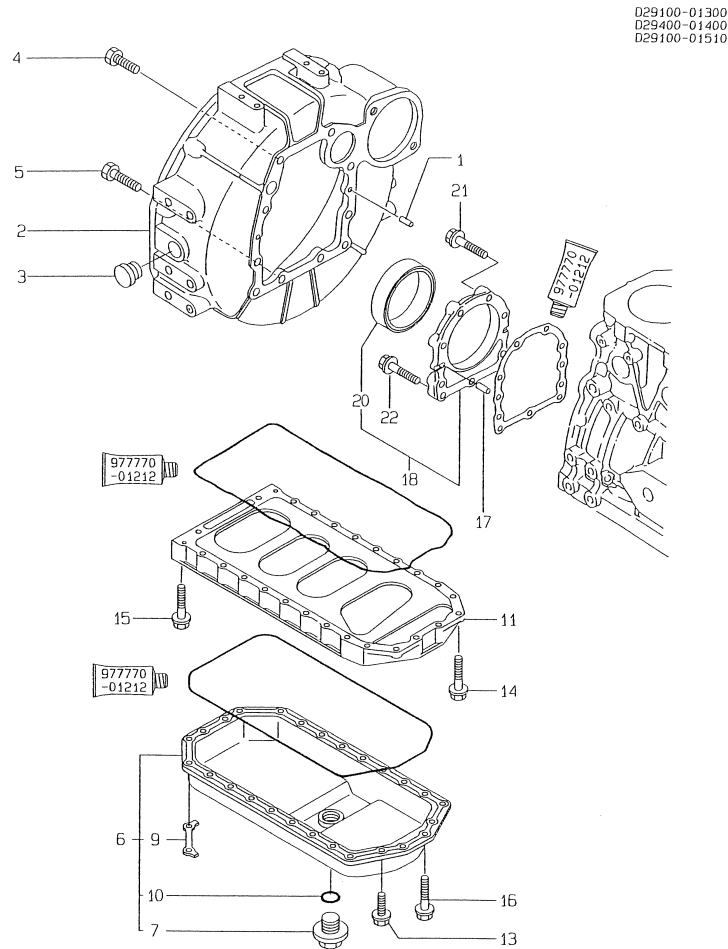
(E)=

(F)=

No.	Lev.	Parts No.	Description	Q'ty						I	R
				(A)	(B)	(C)	(D)	(E)	(F)		
1	1	719810-01500	CASE ASSY, GEAR	1							
4	2	129795-01800	SEAL, OIL	1							
5	1	129400-01520	FLANGE, GEAR CASE	1							
6	1	121450-01560	STUD, M8X22	3							
7	1	124160-01751	COVER, FILLER	1							
8	1	124240-01871	COVER	1							
9	1	124240-01883	GASKET	1							
10	1	129795-01950	PIPE, KNOCK L=18	2							
11	1	129150-03100	RETAINER, PIPE	1							
12	1	121850-51960	O-RING	1							
13	1	24311-000160	O-RING, 1AP16.0	2							
14	1	24311-000320	O-RING, 1AP32.0	1							
15	1	26106-080122	BOLT, M8X 12 PLATED	4							
16	1	26106-080162	BOLT, M8X 16 PLATED	1							
17	1	26106-080162	BOLT, M8X 16 PLATED	3							
18	1	26106-080202	BOLT, M8X 20 PLATED	2							
19	1	26106-080452	BOLT, M8X 45 PLATED	6							
20	1	26106-080552	BOLT, M8X 55 PLATED	3							
21	1	26106-080852	BOLT, M8X 85 PLATED	4							
22	1	26366-080002	NUT, M8	3							
23	1	43400-500410	SEAL WASHER 8S	4							
24	1	43400-500410	SEAL WASHER 8S	1							
25	1	121023-01550	COVER	1							
26	1	24341-000240	O-RING, 1AS24.0	1							
27	1	26106-060122	BOLT, M6X 12 PLATED	2							

Fig.3. FLYWHEEL HOUSING & OIL SUMP

Y00D4310
4TN82L-RNKVM



(A)=4TN82L-RNKVM

(B)=

(C)=

(D)=

(E)=

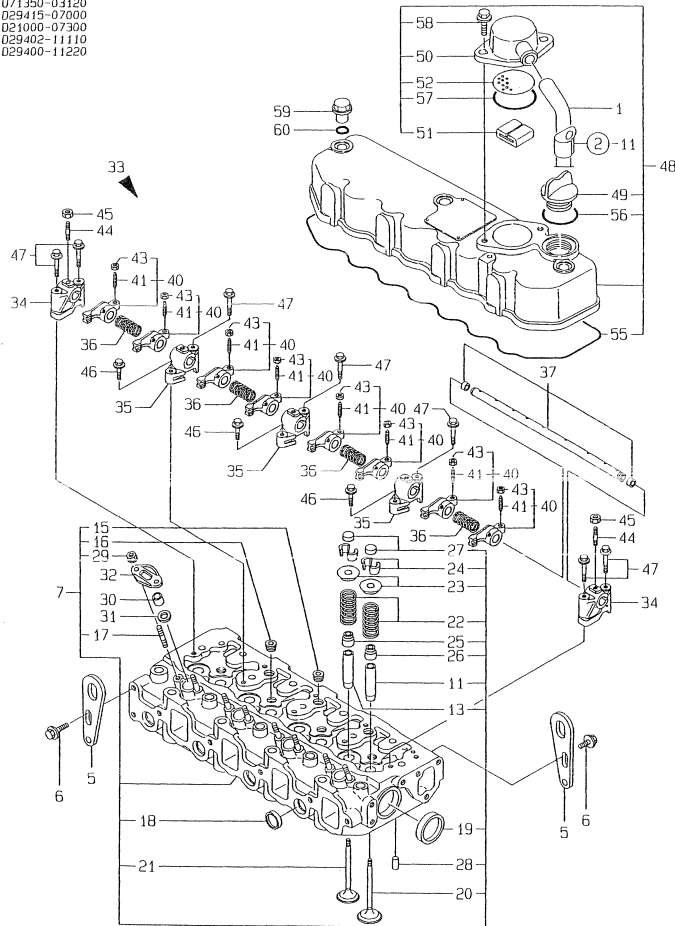
(F)=

No.	Lev.	Parts No.	Description	Q'ty						I	R
				(A)	(B)	(C)	(D)	(E)	(F)		
1	1	129100-01580	PIN, M8X16	2							
2	1	171420-01600	HOUSING, FLYWHEEL	1							
3	1	119620-01750	CAP	1							
4	1	26206-100252	BOLT, M10X 25 PLATED	6							
5	1	26206-100302	BOLT, M10X 30 PLATED	4							
6	1	729402-01540	SUMP ASSY, OIL	1							
7	2	171301-01640	PLUG, 22	1							
9	2	129100-01790	RETAINER	2							
10	2	24341-000240	O-RING, 1AS24.0	1							
11	1	129400-01730	SPACER, OIL SUMP	1							
13	1	26106-080162	BOLT, M8X 16 PLATED	4							
14	1	26106-080252	BOLT, M8X 25 PLATED	2							
15	1	26106-080452	BOLT, M8X 45 PLATED	20							
16	1	26106-080502	BOLT, M8X 50 PLATED	4							
17	1	129100-01580	PIN, M8X16	2							
18	1	129100-01640	CASE ASSY, OIL SEAL	1							
20	2	129795-01780	SEAL, OIL	1							
21	1	26106-080302	BOLT, M8X 30 PLATED	6							
22	1	26106-080352	BOLT, M8X 35 PLATED	3							

Fig.4. CYLINDER HEAD & BONNET

Y0004310
4TNB2L-RNKVM

U71350-03120
029415-07000
021000-07300
029402-11110
029400-11220



(A)=4TN82L-RNKVM

(B)=

(C)=

(D)=

(E)=

(F)=

No.	Lev.	Parts No.	Description	Q'ty						I	R
				(A)	(B)	(C)	(D)	(E)	(F)		
1	1	171350-03090	PIPE , BREATHER 900	1							
5	1	124736-07900	LIFTER	2							
6	1	26106-080142	BOLT, M8X 14 PLATED	4							
7	1	729402-11700	HEAD ASSY, CYLINDER	1							
11	2	120130-11860	GUIDE, VALVE	4							1
13	2	129150-11810	GUIDE, VALVE	4							1
15	2	121850-11860	PLUG, PT1/4	3							
16	2	23871-030000	PLUG, R03	4							
17	2	26216-060202	STUD, M6X 20	8							
18	2	27241-220000	PLUG, 22	4							
19	2	27241-400000	PLUG, 40	2							
20	2	129100-11100	VALVE, INTAKE	4							
21	2	129100-11110	VALVE, EXHAUST	4							
22	2	129795-11120	SPRING, VALVE	8							
23	2	129795-11180	RETAINER, SPRING	8							
24	2	103338-11190	COTTER	8							
24-1	2	27310-080001	COTTER, 8	8							R
(A=EXXXXX)											
25	2	121400-11340	SEAL, VALVE STEM	4							
26	2	124460-11340	SEAL, VALVE STEM	4							
27	2	129150-11370	CAP, VALVE	8							
28	2	22351-060012	PIN, SPRING 6.0X12	2							
29	2	26366-060002	NUT, M6	8							
30	1	119625-11870	PROTECTOR, NOZZLE	4							
31	1	119625-11880	SEAT, NOZZLE	4							
32	1	119625-11900	RETAINER, NOZZLE	4							
33	1	129555-11241	SHAFT ASSY, ROCKER	1							
34	2	129155-11260	SUPPORT, ROCKER ARM	2							
35	2	129155-11270	SUPPORT, ROCKER ARM	3							
36	2	129150-11280	SPRING	4							
37	2	129550-11290	SHAFT, ROCKER ARM	1							
40	2	729402-11650	ARM ASSY, ROCKER	8							
41	3	129150-11230	SCREW, VALVE ADJUST	8							
43	3	129150-11750	NUT, M8	8							
44	2	26226-080182	STUD, M8X 18	3							
45	2	26756-080002	NUT, LOCK M8	3							
46	1	26106-080252	BOLT, M8X 25 PLATED	3							
47	1	26106-080502	BOLT, M8X 50 PLATED	7							
48	1	129400-11350	BONNET ASSY, HEAD	1							
49	2	124160-01751	COVER, FILLER	1							
50	2	129150-03020	COVER, BREATHER	1							
51	2	129150-03070	BAFFLE, BREATHER	1							
52	2	129150-03080	PLATE, BAFFLE	1							
55	2	129550-11310	GASKET, BONNET	1							
56	2	24311-000320	O-RING, 1AP32.0	1							
57	2	24341-000500	O-RING, 1AS50.0	1							
58	2	26106-080162	BOLT, M8X 16 PLATED	2							
59	1	124160-11360	KNOB	3							
60	1	24311-000120	O-RING, 1AP12.0	3							

Remarks

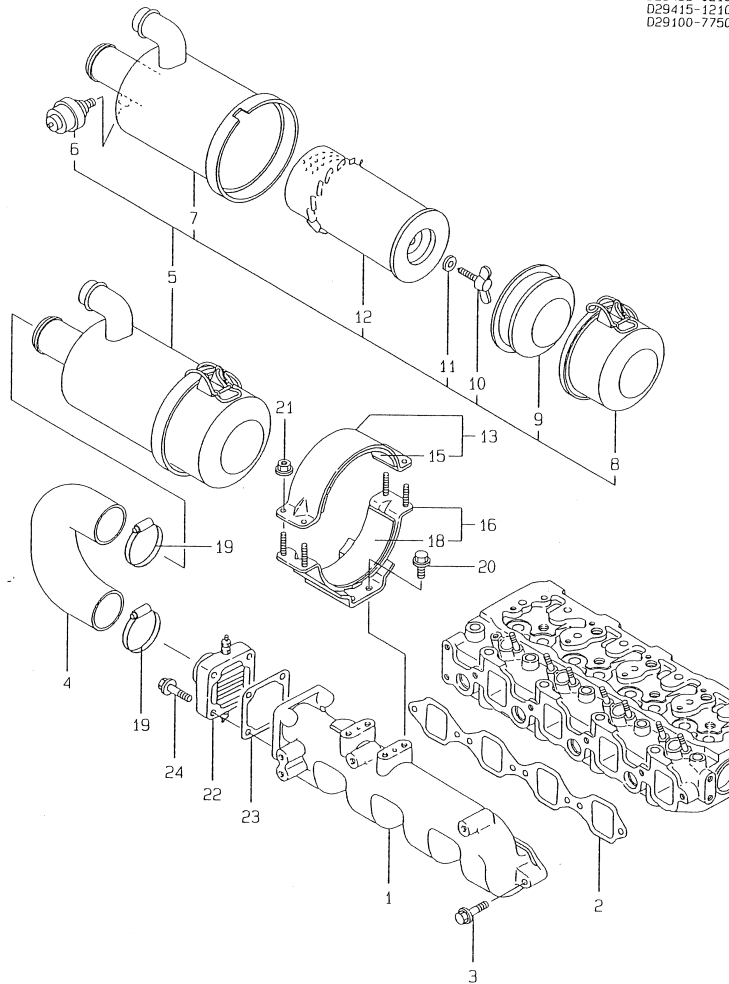
(1)REPAIR PART.

N:Old $\xrightarrow{\text{Yes}}$ New, Q:Old $\xrightarrow{\text{No}}$ New, R:Old $\xrightarrow{\text{Yes}}$ New, S:Old $\xrightarrow{\text{No}}$ New, W:Add, Z:Discontinued, F:Interchangeable by set, K:Q'ty Change

Fig.5. SUCTION MANIFOLD & AIR CLEANER

Y0004310
4TNB2L-RNKVM

029488-12100
029415-12100
029100-77501



(A)=4TN82L-RNKVM

(B)=

(C)=

(D)=

(E)=

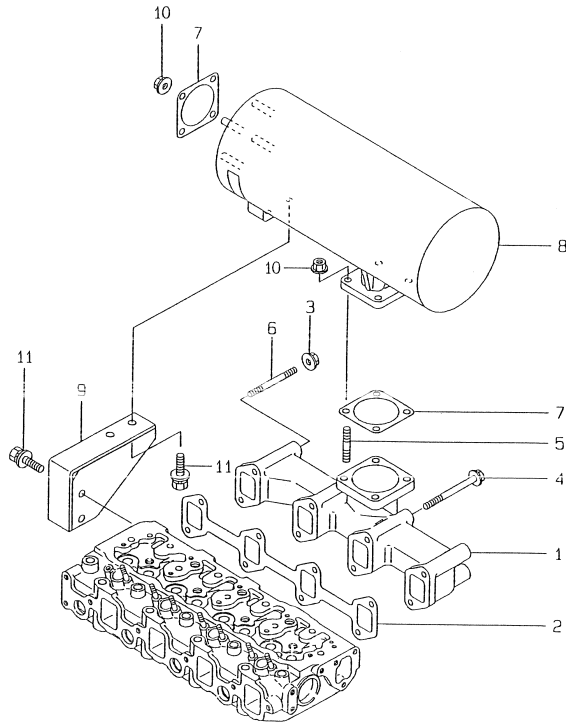
(F)=

No.	Lev.	Parts No.	Description	Q'ty						I	R
				(A)	(B)	(C)	(D)	(E)	(F)		
1	1	129488-12100	MANIFOLD, AIR INTAKE	1							
2	1	129550-12111	GASKET, MANIFOLD	1							
3	1	26106-080352	BOLT, M8X 35 PLATED	5							
4	1	171351-12210	PIPE, AIR INTAKE	1							
5	1	129415-12500	CLEANER ASSY, AIR	1							
6	2	121492-12590	INDICATOR	1							
7	2	129415-12520	CASE ASSY, CLEANER	1							
8	2	129415-12531	PAN, DUST	1							
9	2	129415-12541	RETAINER	1							
10	2	129415-12561	BOLT	1							
11	2	129415-12571	WASHER	1							
12	2	129415-12901	ELEMENT	1							
13	1	121400-12540	BAND ASSY, CLEANER	1							
15	2	121400-12570	SEAT, RUBBER B	1							
16	1	171351-12580	SUPPORT ASSY,CLEANER	1							
18	2	171351-12570	SEAT, RUBBER	1							
19	1	23000-060000	CLAMP, 60	2							
20	1	26106-080142	BOLT, M8X 14 PLATED	4							
21	1	26366-060002	NUT, M6	4							
22	1	129120-77501	HEATER	1							
23	1	129150-77511	GASKET	1							
24	1	26106-080352	BOLT, M8X 35 PLATED	4							

Fig.6. EXHAUST MANIFOLD & SILENCER

Y00D4310
4TNB2L-RNKVM

D29411-13100TK
D29415-93000



(A)=4TN82L-RNKVM
(B)=
(C)=

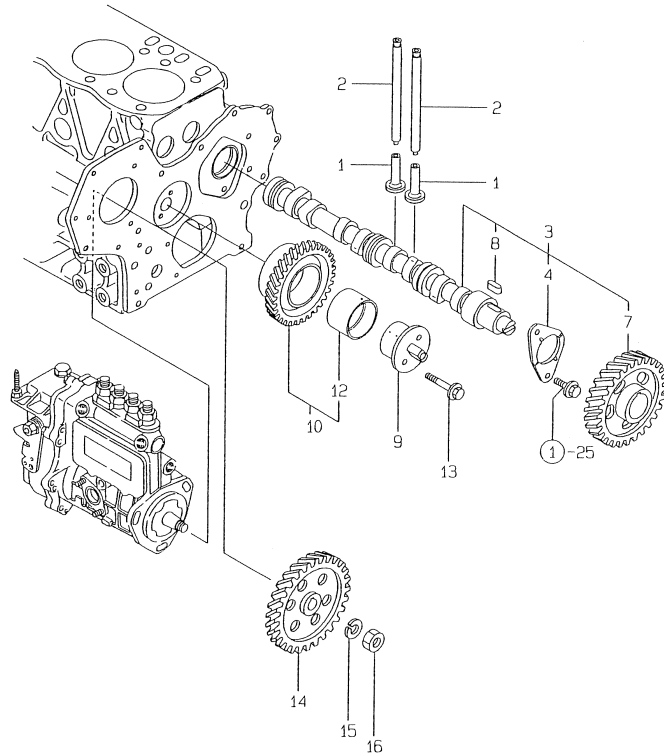
(D)=
(E)=
(F)=

No.	Lev.	Parts No.	Description	Q'ty						I	R
				(A)	(B)	(C)	(D)	(E)	(F)		
1	1	129411-13100	MANIFOLD, EXHAUST	1							
2	1	129550-13110	GASKET	1							
3	1	194990-22050	NUT, M8	2							
4	1	26106-080802	BOLT, M8X 80 PLATED	6							
5	1	26216-080222	STUD, M8X 22	4							
6	1	26216-080802	STUD, M8X 80	2							
7	1	129400-13201	GASKET, SILENCER	2							
8	1	129415-13501	SILENCER	1							
9	1	171350-13650	STAY, SILENCER	1							
10	1	194990-22050	NUT, M8	8							
11	1	26014-080202	BOLT, M8X 20	4							

Fig.7. CAMSHAFT & DRIVE GEAR

Y00D4310
4TNB2L-RNKVM

D29400-14110
D29100-25101
D29150-25200



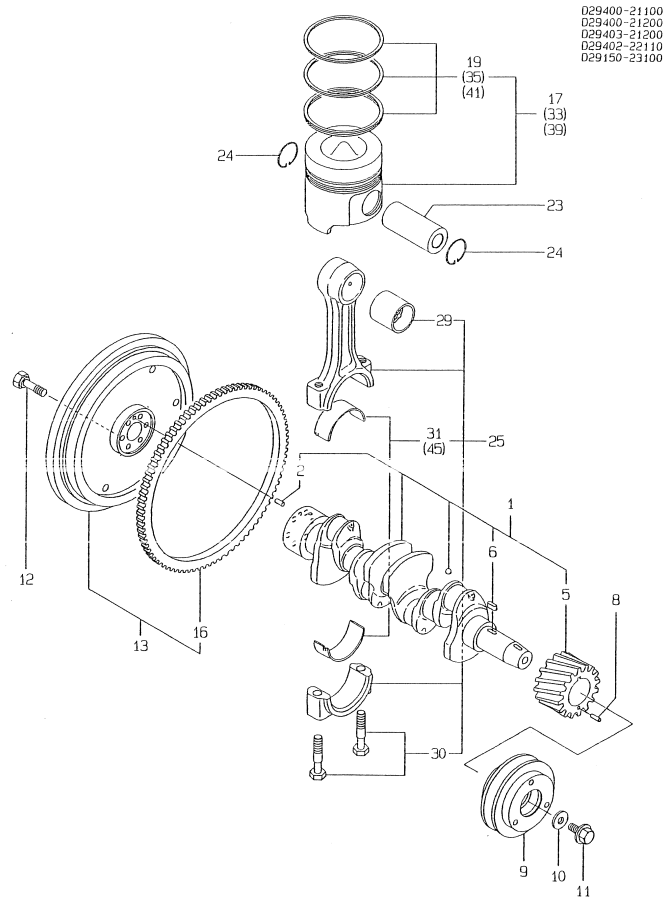
(A)=4TN82L-RNKVM
(B)=
(C)=

(D)=
(E)=
(F)=

No.	Lev.	Parts No.	Description	Q'ty						I	R
				(A)	(B)	(C)	(D)	(E)	(F)		
1	1	129150-14200	TAPPET	8							
2	1	129150-14400	ROD, PUSH L=178	8							
3	1	729402-14580	CAMSHAFT ASSY	1							
4	2	129150-02450	BEARING, THRUST	1							
7	2	129150-14101	GEAR, CAMSHAFT	1							
8	2	22512-070140	KEY, 7X 14	1							
9	1	129100-25061	SHAFT, IDLE	1							
10	1	129150-25101	GEAR ASSY, IDLE	1							
13	1	26106-080452	BOLT, M8X 45 PLATED	2							
14	1	129150-25900	GEAR, PUMP	1							
15	1	22217-120000	WASHER, SPRING 12	1							
16	1	26716-120002	NUT, M12	1							

Fig.8. CRANKSHAFT & PISTON

Y00D4310
4TNB2L-RNKVM



(A)=4TN82L-RNKVM

(B)=

(C)=

(D)=

(E)=

(F)=

No.	Lev.	Parts No.	Description	Q'ty						I	R
				(A)	(B)	(C)	(D)	(E)	(F)		
1	1	729400-21700	CRANKSHAFT ASSY	1							
2	2	129100-01580	PIN, M8X16	1							
5	2	129150-21200	GEAR, CRANKSHAFT	1							
6	2	22512-070140	KEY, 7X 14	1							
8	1	22351-040010	PIN, SPRING 4.0X10	1							
9	1	171301-21650	V-PULLEY	1							
10	1	129795-21661	WASHER	1							
11	1	121850-21680	BOLT	1							
12	1	121111-21501	BOLT, FLYWHEEL	6							
13	1	129403-21590	FLYWHEEL ASSY	1							
16	2	124550-21600	GEAR, RING	1							
17	1	129402-22080	PISTON ASSY	4							
19	2	729402-22500	RING SET, PISTON	4							
23	1	129150-22300	PIN, PISTON D26 L66	4							
24	1	121100-22400	CIRCLIP	8							
25	1	729402-23100	ROD ASSY, CONNECTING	4							
29	2	129100-23910	BEARING, PISTON PIN	4							1
30	2	121550-23200	BOLT, CONNECTING ROD	8							
31	2	129150-23600	BEARING, CRANK PIN	4							
33	1	729402-22900	PISTON ASSY, 0.25 OS	4							2
35	2	729156-22950	RING SET, 0.25 OS	4							2
39	1	129402-22920	PISTON ASSY, 0.50 OS	4							3
41	2	129402-22970	RING SET, 0.50 OS	4							3
45	1	129150-23610	BEARING, 0.25 US	4							4

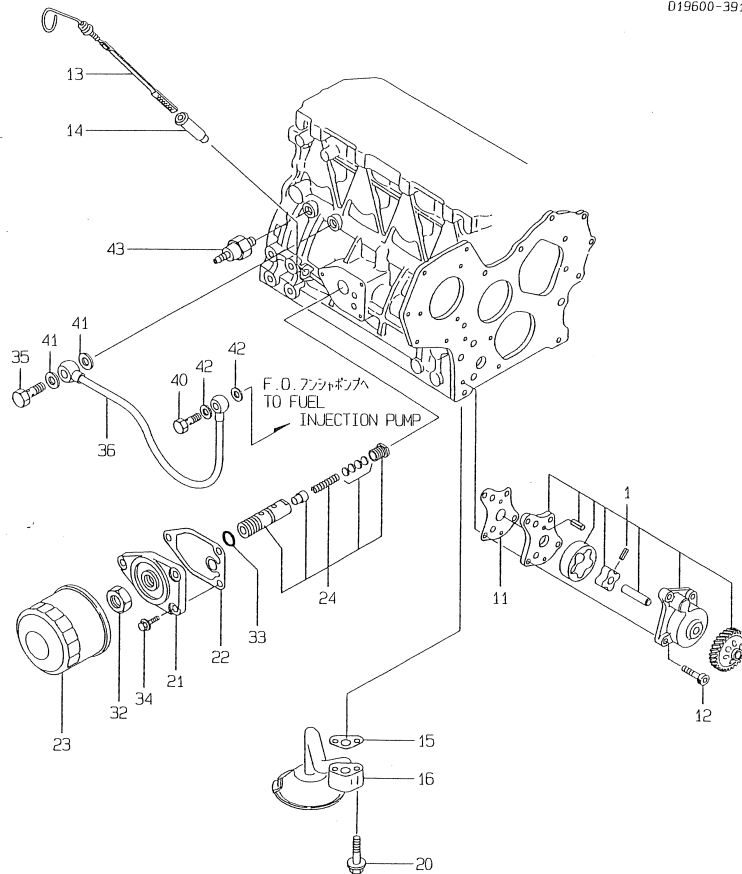
Remarks

- (1)REPAIR PART.
- (2)OVER-SIZE(O.S=0.25)PART.
- (3)OVER-SIZE(O.S=0.5)PART.
- (4)UNDER-SIZE(U.S=0.25)PART.

Fig.9. LUB. OIL SYSTEM

Y00D4310
4TNB2L-RNKVM

D29150-32100
D29100-34110
D29100-35100
D29100-35200
D29428-39110
D19600-39100



(A)=4TN82L-RNKVM

(B)=

(C)=

(D)=

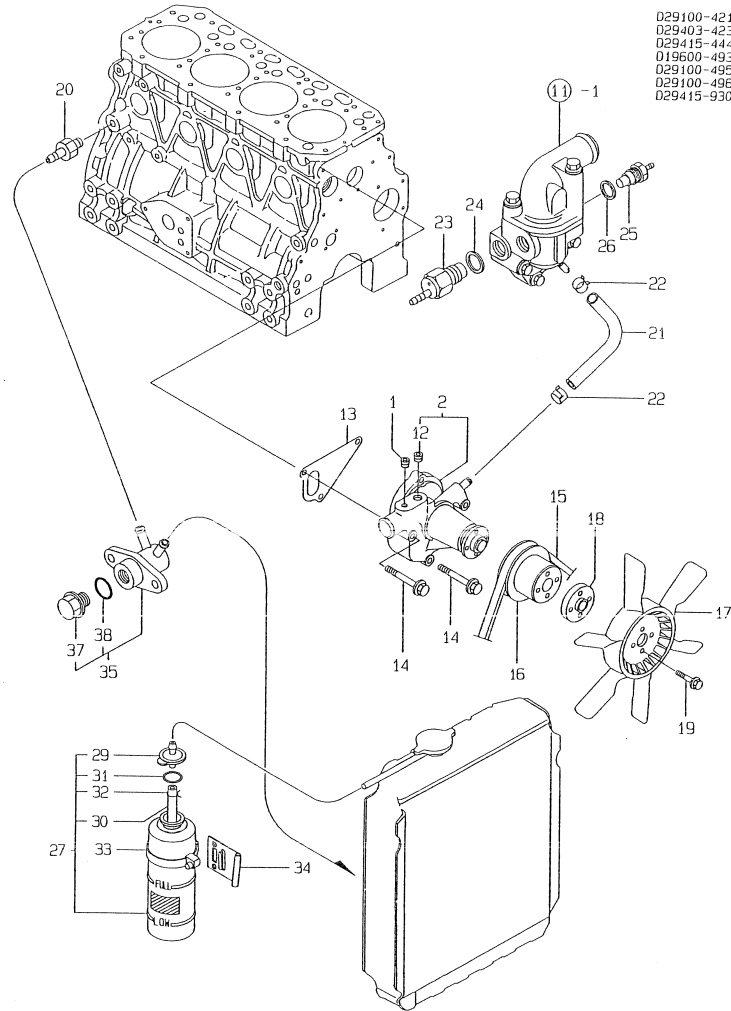
(E)=

(F)=

No.	Lev.	Parts No.	Description	Q'ty						I	R
				(A)	(B)	(C)	(D)	(E)	(F)		
1	1	129150-32000	PUMP ASSY, OIL	1							
11	1	129150-32020	GASKET, PUMP	1							
12	1	26450-060252	BOLT, M6X 25	4							
13	1	171420-34800	DIPSTICK, OIL	1							
14	1	121520-34810	GUIDE, DIPSTICK	1							
15	1	129150-35041	GASKET	1							
16	1	129150-35091	PIPE ASSY, OIL INLET	1							
20	1	26106-080352	BOLT, M8X 35 PLATED	2							
21	1	129150-35101	BRACKET, STRAINER	1							
22	1	129150-35111	GASKET	1							
23	1	129150-35150	FILTER 90X80L	1							
24	1	119865-35300	VALVE ASSY, CONTROL	1							
32	1	129150-35350	NUT	1							
33	1	24311-000160	O-RING, 1AP16.0	1							
34	1	26106-080202	BOLT, M8X 20 PLATED	3							
35	1	124160-39140	BOLT, PIPE JOINT M10	1							
36	1	129550-39450	PIPE ASSY, OIL	1							
40	1	124550-59820	BOLT, PIPE JOINT M8	1							
41	1	23414-100000	GASKET, 10X1.0	2							
42	1	43400-500410	SEAL WASHER 8S	2							
43	1	124160-39450	SWITCH, 0.5KG	1							

Fig.10. COOLING WATER SYSTEM

Y0004310
4TN82L-RNKVM



(A)=4TN82L-RNKVM

(B)=

(C)=

(D)=

(E)=

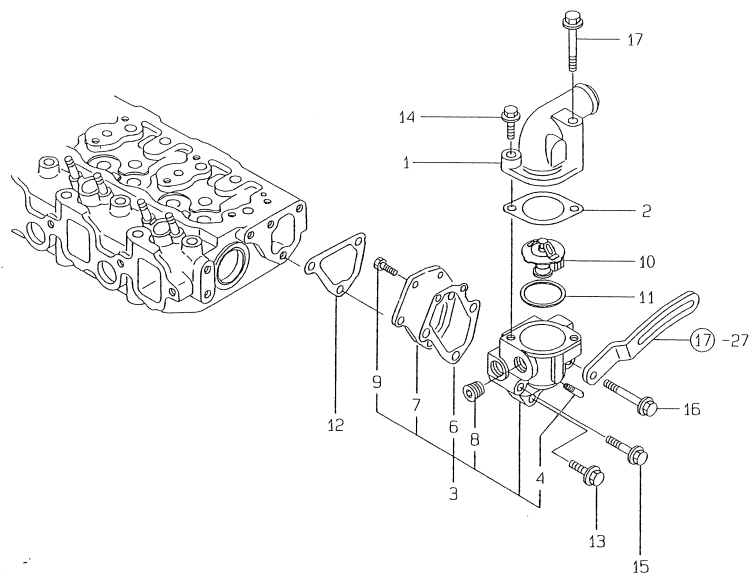
(F)=

No.	Lev.	Parts No.	Description	Q'ty						I	R
				(A)	(B)	(C)	(D)	(E)	(F)		
1	1	121850-11860	PLUG, PT1/4	1							
2	1	129100-42002	PUMP ASSY, WATER	1							
12	2	23871-030000	PLUG, R03	1							
13	1	129100-42020	GASKET, WATER PUMP	1							
14	1	26106-080602	BOLT, M8X 60 PLATED	3							
15	1	121492-42290	V-BELT, A38	1							
16	1	129550-42350	V-PULLEY, D=120	1							
17	1	129110-44740	FAN, COOLING D390	1							
18	1	124574-44761	SPACER, FAN	1							
19	1	26014-060252	BOLT, M6X 25	4							
20	1	121550-49111	JOINT, PT1/4	1							
21	1	129100-49050	PIPE, WATER	1							
22	1	23000-016000	CLAMP, 16	2							
23	1	121250-44901	SWITCH, 110	1							
24	1	124465-44950	GASKET, 16	1							
25	1	124250-49351	SENSOR	1							
26	1	129150-49360	GASKET	1							
27	1	171064-44510	TANK ASSY, SUB	1							
29	2	121450-44531	CAP	1							
30	2	124450-44560	RETAINER	1							
31	2	121470-44581	GASKET	1							
32	2	23065-070225	HOSE 7X 225	1							
33	1	124450-44550	BAND	1							
34	1	121256-44600	BRACKET, SUB TANK	1							
35	1	121450-49110	COCK ASSY, 3-WAY	1							
37	2	121250-49121	PLUG, DRAIN	1							
38	2	24311-000160	O-RING, 1AP16.0	1							

Fig.11. THERMOSTAT

Y00D4310
4TNB2L-RNKVM

D29130-49200



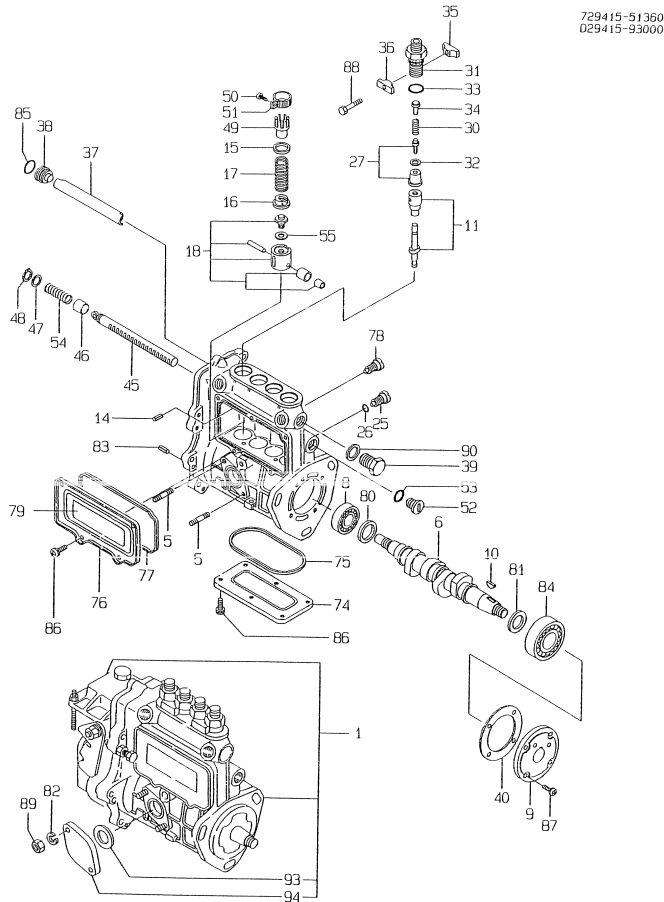
(A)=4TN82L-RNKVM
(B)=
(C)=

(D)=
(E)=
(F)=

No.	Lev.	Parts No.	Description	Q'ty						I	R
				(A)	(B)	(C)	(D)	(E)	(F)		
1	1	124101-49530	COVER, THERMOSTAT	1							
2	1	129795-49551	GASKET	1							
3	1	129100-49800	CASE ASSY, THERMOSTAT	1							
4	2	124770-11770	JOINT, PIPE PT1/8	1							
6	2	129100-49820	GASKET	1							
7	2	129100-49830	COVER, THERMOSTAT	1							
8	2	23871-030000	PLUG, R03	1							
9	2	26116-060162	BOLT, M6X 16 PLATED	2							
10	1	129155-49800	THERMOSTAT, 71	1							
11	1	129150-49811	GASKET, THERMOSTAT	1							
12	1	129100-49840	GASKET	1							
13	1	26106-080252	BOLT, M8X 25 PLATED	1							
14	1	26106-080252	BOLT, M8X 25 PLATED	1							
15	1	26106-080502	BOLT, M8X 50 PLATED	1							
16	1	26106-080602	BOLT, M8X 60 PLATED	1							
17	1	26106-080652	BOLT, M8X 65 PLATED	1							

Fig.12. FUEL INJECTION PUMP

Y00D4310
4TN82L-RNKVM



729415-51360
029415-93000

(A)=4TN82L-RNKVM

(B)=

(C)=

(D)=

(E)=

(F)=

No.	Lev.	Parts No.	Description	Q'ty						I	R
				(A)	(B)	(C)	(D)	(E)	(F)		
1	1	729415-51360	PUMP ASSY, INJECTION	1							1
5	2	129155-51020	STUD	2							
6	2	129470-51040	CAMSHAFT	1							
8	2	129155-51050	BEARING, 17BM001D	1							
9	2	129155-51060	SUPPORT, CAMSHAFT	1							
10	2	122710-51090	KEY	1							
11	2	129400-51100	PLUNGER ASSY	4							
14	2	129155-51140	PIN	4							
15	2	174307-51170	RETAINER, SPRING A	4							
16	2	129155-51180	RETAINER, SPRING	4							
17	2	124950-51190	SPRING, PLUNGER	4							
18	2	129155-51200	TAPPET ASSY	4							
25	2	129155-51270	STOPPER, TAPPET	4							
26	2	129155-51280	O-RING, S6	4							
27	2	128170-51300	VALVE ASSY, DELIVERY	4							
30	2	129155-51320	SPRING, DELIVERY	4							
31	2	129155-51340	RETAINER	4							
32	2	124550-51350	GASKET, DELIVERY	4							
33	2	124550-51370	O-RING	4							
34	2	129155-51370	STOPPER, VALVE	4							
35	2	129155-51380	STOPPER	2							
36	2	129155-51390	STOPPER	2							
37	2	129555-51400	DEFLECTOR	1							
38	2	129155-51410	BOLT	1							
39	2	129155-51420	PLUG, M16	1							
40	2	129155-51450	SHIM SET, ADJUSTING	1							
45	2	129555-51500	RACK, CONTROL	1							
46	2	129155-51521	BUSH, RACK	1							
47	2	129155-51530	SPACER	1							
48	2	129155-51540	CIRCLIP	1							
49	2	129155-51550	PINION, CONTROL	4							
50	2	122117-51560	SCREW	4							
51	2	174307-51560	PINION	4							
52	2	129155-51570	PLUG, M12	1							
53	2	129155-51580	O-RING	1							
54	2	129155-51591	SPRING, RACK	1							
55	2	129155-51600	SHIM SET, ADJUSTING	4							
74	2	129555-51700	COVER	1							
75	2	129555-51710	GASKET	1							
76	2	129555-51750	COVER	1							
77	2	129555-51760	GASKET	1							
78	2	129155-51790	STOOPER, RACK	1							
79	2	129156-51910	LABEL, CAUTION	1							
80	2	129155-51930	SPACER, T=3.25	1							
81	2	129155-51940	SPACER, T=1.5	1							
82	2	22217-060000	WASHER, SPRING 6	2							
83	2	22351-050010	PIN, SPRING 5.0X10	2							
84	2	24101-063034	BEARING, BALL 6303	1							
85	2	24341-000160	O-RING, 1AS16.0	1							
86	2	26022-050102	SCREW, M5X10	11							
87	2	26022-060162	SCREW, M6X16	4							

Remarks

(1)GOVERNOR ASSY(FIG.13) IS INCORPORATED IN THIS FUEL INJECTION PUMP ASSY(REF.NO.1).

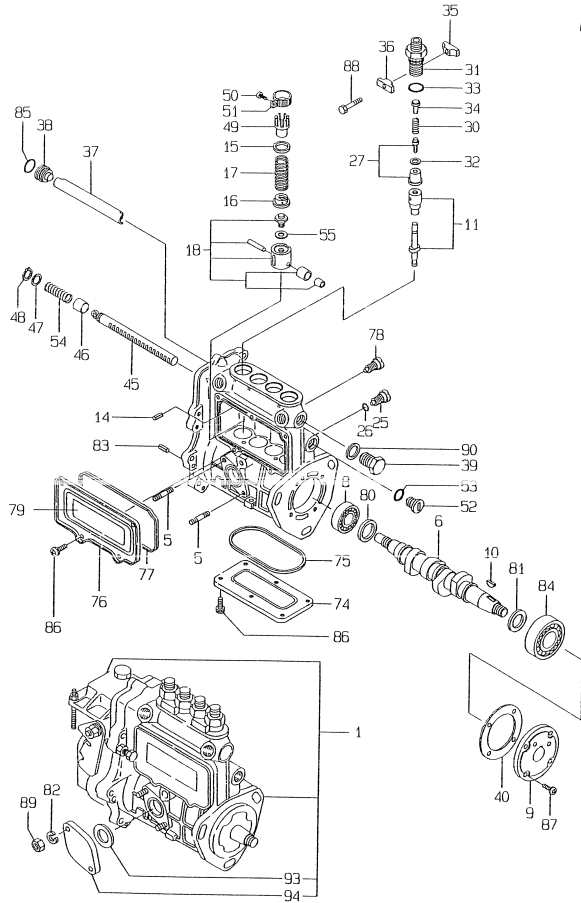
N:Old $\xrightarrow{\text{Yes}}$ New, Q:Old $\xrightarrow{\text{No}}$ New, R:Old $\xrightarrow{\text{Yes}}$ New, S:Old $\xrightarrow{\text{No}}$ New, W:Add, Z:Discontinued, F:Interchangeable by set, K:Q'ty Change

++ CONTINUE ++

Copyright (C) YANMAR CO., LTD. All RightsReserved.

Fig.12. FUEL INJECTION PUMP

Y00D4310
4TN82L-RNKVM



729415-51360
029415-93000

(A)=4TN82L-RNKVM

(B)=

(C)=

(D)=

(E)=

(F)=

No.	Lev.	Parts No.	Description	Q'ty						I	R
				(A)	(B)	(C)	(D)	(E)	(F)		
88	2	26116-050302	BOLT, M5X 30 PLATED	2							
89	2	26716-060002	NUT, M6	2							
90	2	43400-500490	SEAL WASHER 16S	1							
93	2	129155-52050	GASKET	1							
94	2	129100-52200	COVER	1							

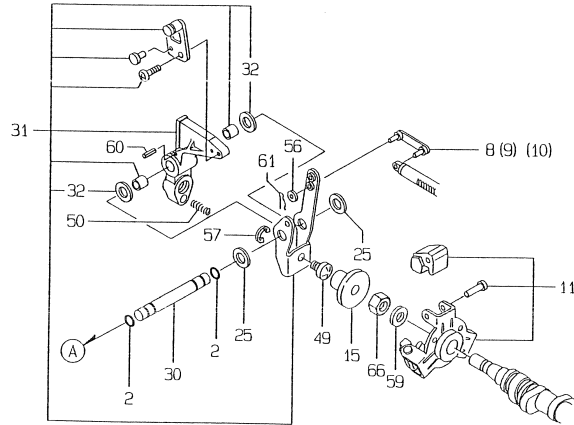
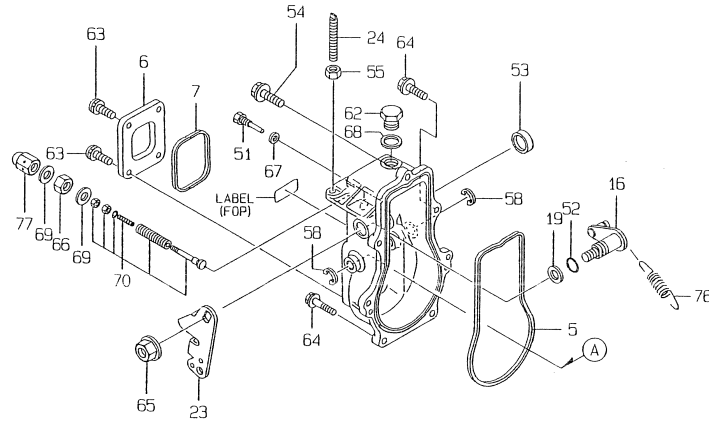
Remarks

(1)GOVERNOR ASSY(FIG.13) IS
INCORPORATED IN THIS FUEL
INJECTION PUMP ASSY(REF.NO.1).

Fig.13. GOVERNOR

Y00D4310
4TN82L-RNKVM

729415-51360



(A)=4TN82L-RNKVM

(B)=

(C)=

(D)=

(E)=

(F)=

No.	Lev.	Parts No.	Description	Q'ty						I	R
				(A)	(B)	(C)	(D)	(E)	(F)		
2	2	129155-51280	O-RING, S6	2							
5	2	129155-61050	GASKET	1							
6	2	129155-61060	COVER, GOVERNOR CASE	1							
7	2	129155-61070	GASKET	1							
8	2	129155-61120	LINK, L=30 MARK 0	1							
9	2	129155-61130	LINK, L=31 MARK 1	1							
10	2	129155-61140	LINK, L=30.5 MARK 05	1							
11	2	129155-61201	WEIGHT ASSY,GOVERNOR	1							
15	2	129155-61341	SLEEVE	1							
16	2	129100-61400	SHAFT ASSY	1							
19	2	129155-61430	SPACER	1							
23	2	129100-61440	LEVER, CONTROL	1							
24	2	129155-61450	BOLT, LIMITER	1							
25	2	129155-61480	SPACER ASSY	2							
30	2	129155-61490	SHAFT	1							
31	2	129500-61500	LEVER ASSY, GOVERNOR	1							
32	3	174307-51700	SHIM SET	2							
49	2	129155-61540	SHIFTER	1							
50	2	129100-61650	SPRING, CONTROLLER	1							
51	2	129155-61810	PIN	1							
52	2	129155-61830	O-RING, S10	1							
53	2	129100-61851	PLUG	1							
54	2	129155-61950	BOLT	1							
55	2	124550-66370	NUT, M6	1							
56	2	22117-040000	WASHER, 4	1							
57	2	22272-000040	RING, E- 4	1							
58	2	22272-000060	RING, E- 6	2							
59	2	22287-120000	WASHER, 12	1							
60	2	22351-030016	PIN, SPRING 3.0X16	1							
61	2	22372-040000	PIN, SNAP 4	2							
62	2	23887-100002	PLUG, 10	1							
63	2	26022-050102	SCREW, M5X10	4							
64	2	26106-060202	BOLT, M6X 20 PLATED	6							
65	2	26366-080002	NUT, M8	1							
66	2	26776-120002	NUT, LOCK M12	2							
67	2	43400-500390	SEAL WASHER 6S	1							
68	2	43400-500430	SEAL WASHER 10S	1							
69	2	43400-500450	SEAL WASHER 12S	2							
70	1	129100-61450	LIMITER ASSY, FUEL	1							
76	1	171353-61710	SPRING, GOVERNOR	1							
77	1	26687-120002	NUT, CAP M12	1							

Fig.14. FUEL INJECTION VALVE

(A)=4TN82L-RNKVM

(B)=

(C)=

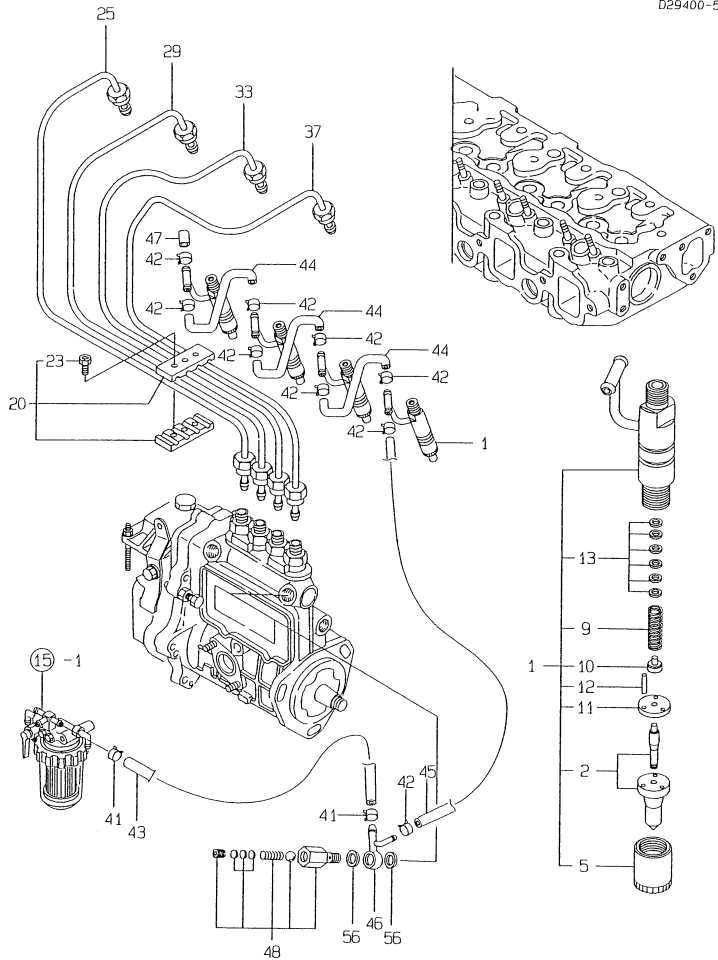
(D)=

(E)=

(F)=

Y00D4310
4TN82L-RNKVM

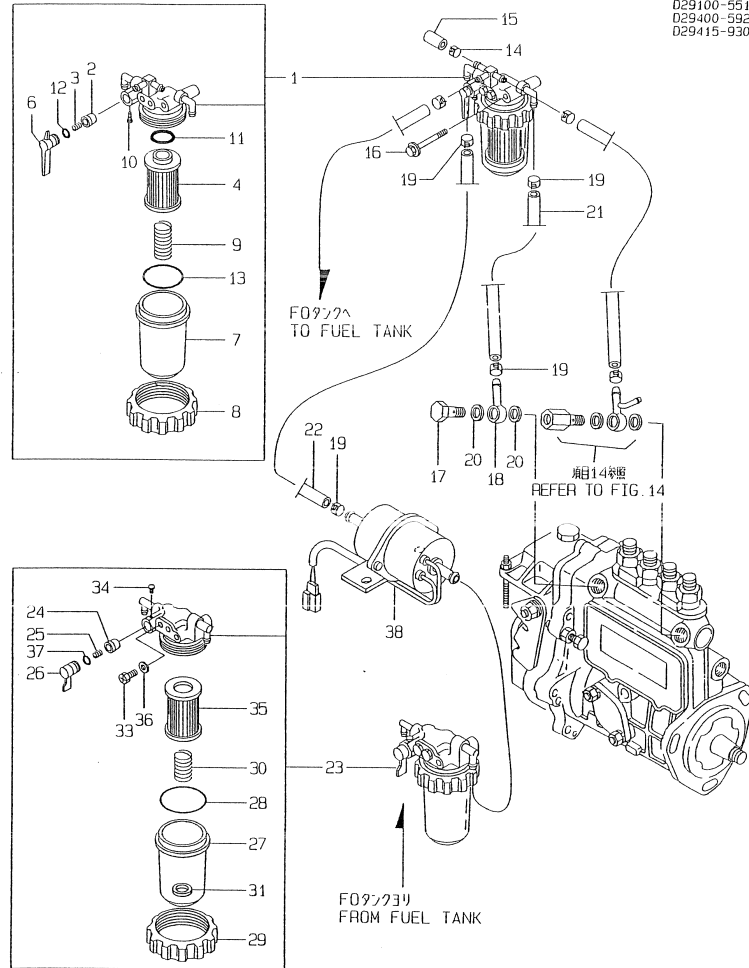
D29102-53100
D29400-59110
D29400-59302



No.	Lev.	Parts No.	Description	Q'ty						I	R
				(A)	(B)	(C)	(D)	(E)	(F)		
1	1	729102-53100	VALVE ASSY,INJECTION	4							
2	2	129102-53000	VALVE ASSY,INJECTION	4							
5	2	114250-53080	NUT, NOZZLE D16.95	4							
9	2	114250-53120	SPRING, NOZZLE	4							
10	2	114250-53130	SEAT, SPRING	4							
11	2	114250-53140	PLATE	4							
12	2	114250-53210	PIN	8							
13	2	114250-53400	SHIM SET	4							
20	1	129550-59120	RETAINER, PIPE	1							
23	2	129150-59130	BOLT, M4X12	2							
25	1	129400-59910	PIPE ASSY, INJECTION	1							
29	1	129400-59920	PIPE ASSY, INJECTION	1							
33	1	129400-59930	PIPE ASSY, INJECTION	1							
37	1	129400-59940	PIPE ASSY, INJECTION	1							
41	1	124766-59050	CLIP, HOSE 12	2							
42	1	124066-59100	CLIP, HOSE 8	9							
43	1	105025-59530	PIPE, FUEL D13X400	1							
44	1	121250-59550	PIPE, FUEL D8X120	3							
45	1	119840-59560	PIPE, FUEL RETURN	1							
46	1	119840-59570	JOINT	1							
47	1	129150-59580	CAP	1							
48	1	129100-59951	VALVE ASSY, CHECK	1							
56	1	23414-120000	GASKET, 12X1.0	2							

Fig.15. FUEL PIPES

Y00D4310
4TNB2L-RNKVM



029100-55112
029400-59211
029415-93000

(A)=4TN82L-RNKVM

(B)=

(C)=

(D)=

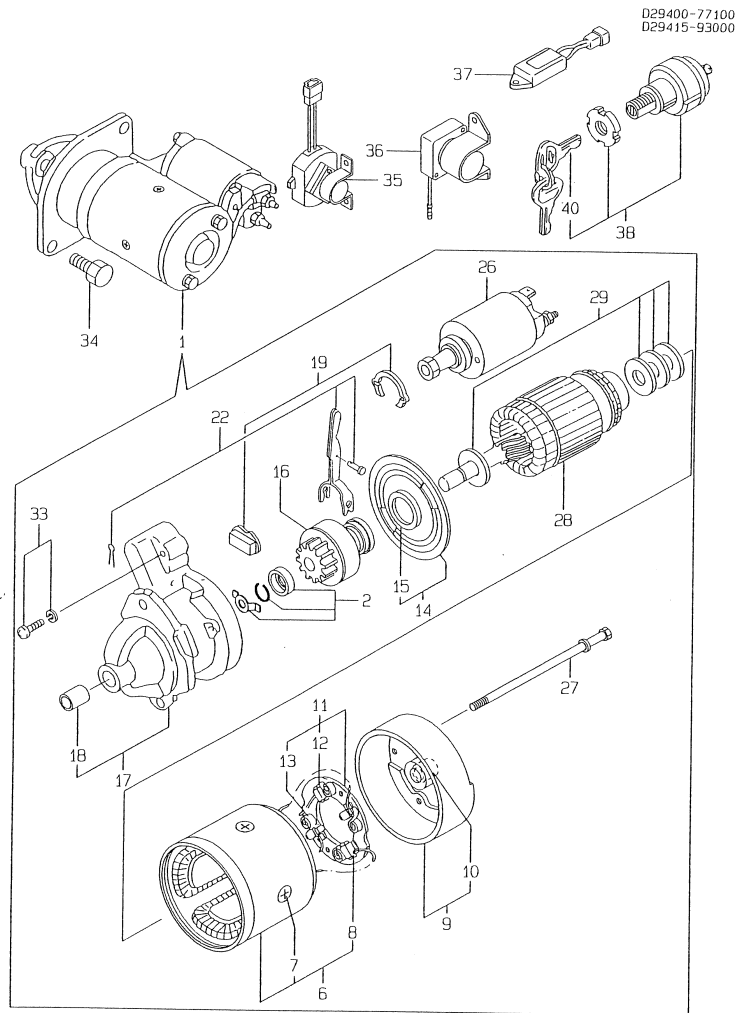
(E)=

(F)=

No.	Lev.	Parts No.	Description	Q'ty						I	R
				(A)	(B)	(C)	(D)	(E)	(F)		
1	1	129100-55621	FILTER ASSY, FUEL	1							
2	2	104200-55321	VALVE, TAPER	1							
3	2	104200-55330	SPRING, VALVE	1							
4	2	129100-55650	ELEMENT	1							
6	2	129100-55670	LEVER	1							
7	2	129100-55680	CUP, STRAINER	1							
8	2	129100-55690	RING, RETAINING	1							
9	2	129100-55700	SPRING	1							
10	2	104200-55750	SCREW, M4	1							
11	2	24311-000160	O-RING, 1AP16.0	1							
12	2	24311-240100	O-RING, 1AP10A	1							
13	2	24321-000650	O-RING, 1AG65.0	1							
14	1	124066-59100	CLIP, HOSE 8	1							
15	1	129150-59580	CAP	1							
16	1	26014-080702	BOLT, M8X 70	1							
17	1	103854-39140	BOLT, PIPE JOINT	1							
18	1	101304-59020	JOINT, PIPE 12	1							
19	1	124766-59050	CLIP, HOSE 12	4							
20	1	104200-59170	GASKET, 12	2							
21	1	129555-59510	PIPE, D13/7.5X180	1							
22	1	105025-59530	PIPE, FUEL D13X400	1							
23	1	129335-55700	SEPARATOR ASSY, WATER	1							
24	2	104200-55321	VALVE, TAPER	1							
25	2	104200-55330	SPRING, VALVE	1							
26	2	104200-55341	HANDLE	1							
27	2	124064-55510	COVER	1							
28	2	102103-55520	O-RING	1							
29	2	110250-55610	RING, RETAINING	1							
30	2	121257-55720	SPRING	1							
31	2	121257-55731	FLOAT	1							
33	2	101720-55750	PLUG, 6	2							
34	2	104200-55750	SCREW, M4	1							
35	2	171081-55910	SCREEN	1							
36	2	23418-060000	GASKET, 6X1.0	2							
37	2	24311-240100	O-RING, 1AP10A	1							
38	1	129322-77401	PUMP ASSY, FUEL FEED	1							

Fig.16. STARTING MOTOR

Y00D4310
4TN82L-RNKVM



(A)=4TN82L-RNKVM

(B)=

(C)=

(D)=

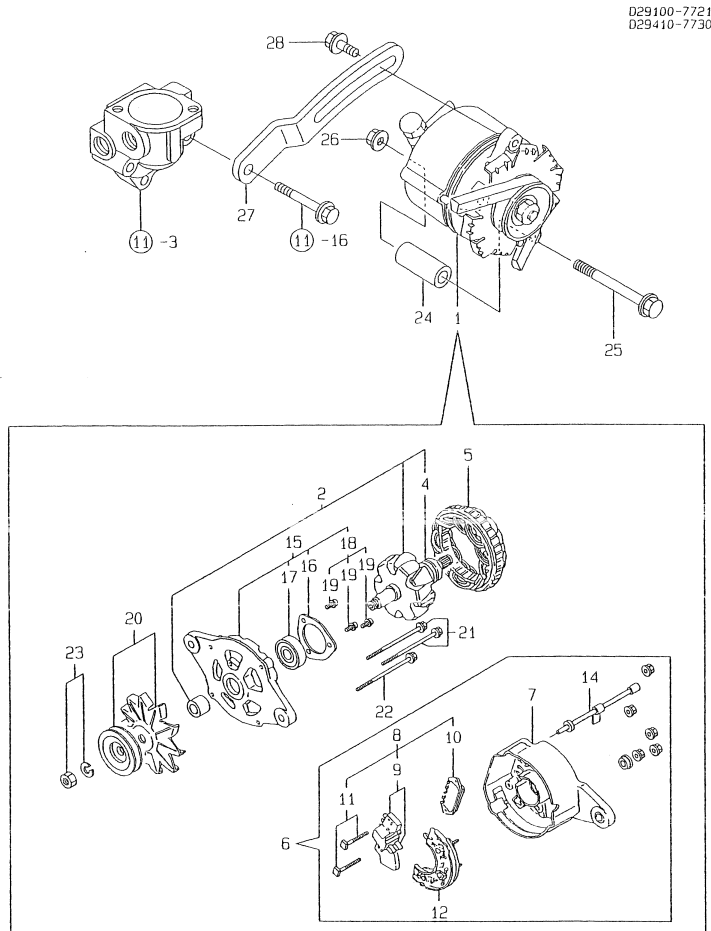
(E)=

(F)=

No.	Lev.	Parts No.	Description	Q'ty						I	R
				(A)	(B)	(C)	(D)	(E)	(F)		
1	1	124250-77012	STARTER, S12-77A	1							
2	2	124250-77070	STOPPER SET, PINION	1							
6	2	124250-77110	COIL ASSY, FIELD	1							
7	3	124250-77120	SCREW SET, PORE CORE	4							
8	3	124250-77130	BRUSH (+)	2							
9	2	124250-77140	COVER ASSY, REAR	1							
10	3	124250-77150	METAL, REAR COVER	1							
11	2	124250-77160	HOLDER ASSY, BRUSH	1							
12	3	124250-77170	BRUSH (-)	2							
13	3	124250-77180	SPRING, BRUSH	4							
14	2	124250-77190	BEARING ASSY, CENTER	1							
15	3	124250-77520	BEARING	1							
16	2	124250-77210	PINION ASSY	1							
17	2	124250-77220	CASE ASSY, GEAR	1							
18	3	124250-77230	METAL, GEAR CASE	1							
19	2	124250-77240	COVER SET, DUST	1							
20	3	124250-77250	COVER DUST(1)	1							
21	3	124250-77530	COVER DUST(2)	1							
22	2	124250-77270	LEVER SET, SHIFT	1							
26	2	124250-77310	SWITCH, MAGNETIC	1							
27	2	124250-77320	BOLT, THROUGH	2							
28	2	124250-77500	ARMATURE ASSY	1							
29	2	124250-77510	WASHER KIT	1							
33	2	26557-040122	SCREW, M4X12	2							
34	1	26116-120252	BOLT, M12X 25 PLATED	2							
35	1	171051-77100	RELAY, SAFETY	1							
36	1	129100-77910	RELAY, MAGNETIC	1							
37	1	128300-77920	TIMER	1							
38	1	933110-00100	SWITCH ASSY, STARTER	1							
40	2	933110-00301	KEY ASSY	1							

Fig.17. GENERATOR

Y0004310
4TNB2L-RNKVM



D29100-77210
D29410-77300

(A)=4TN82L-RNKVM

(B)=

(C)=

(D)=

(E)=

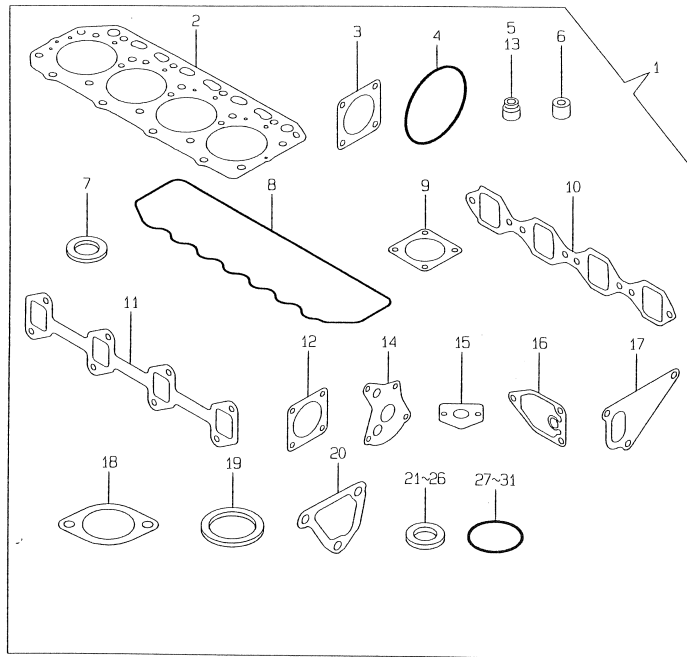
(F)=

No.	Lev.	Parts No.	Description	Q'ty						I	R
				(A)	(B)	(C)	(D)	(E)	(F)		
1	1	124080-77201	GENERATOR, LR135-91	1							
2	2	124080-77300	ROTOR ASSY	1							
4	3	124080-77490	BALL BEARING	1							
5	2	124080-77320	STATOR ASSY	1							
6	2	124080-77330	COVER ASSY	1							
7	3	124080-77340	COVER, REAR	1							
8	3	124080-77350	BRUSH REGULATOR(N/CO	1							
9	4	124080-77360	BRUSH ASSY	2							
10	4	124080-77390	REGULATOR ASSY	1							
11	4	124080-77520	BOLT M5	2							
12	3	124080-77400	DIODE ASSY	1							
14	3	124080-77530	WIRE ASSY, LEAD	1							
15	2	124080-77420	COVER ASSY	1							
16	3	124080-77430	RETAINER, BEARING	1							
17	3	124080-77480	BEARING, 6202DDU	1							
18	3	124080-77500	SCREW KIT	1							
19	4	124080-77510	SCREW 4X12	3							
20	2	124080-77440	PULLEY ASSY	1							
21	2	124080-77450	BOLT, THROUGH	2							
22	2	124080-77460	BOLT, THROUGH	1							
23	2	124080-77470	NUT ASSY, PULLEY	1							
24	1	129150-77340	SPACER	1							
25	1	26106-081202	BOLT, M8X120 PLATED	1							
26	1	26366-080002	NUT, M8	1							
27	1	129410-77330	ADJUSTER	1							
28	1	26014-080252	BOLT, M8X 25	1							

Fig.18. GASKET SET(OPTIONAL)

Y0004310
4TN82L-RNKVM

029415-93000



(A)=4TN82L-RNKVM

(B)=

(C)=

(D)=

(E)=

(F)=

No.	Lev.	Parts No.	Description	Q'ty						I	R
				(A)	(B)	(C)	(D)	(E)	(F)		
1	1		GASKET SET	1							1
2	2	129402-01321	GASKET, HEAD	1							
3	2	124240-01883	GASKET	1							
4	2	121850-51960	O-RING	1							
5	2	124460-11340	SEAL, VALVE STEM	4							
6	2	119625-11870	PROTECTOR, NOZZLE	4							
7	2	119625-11880	SEAT, NOZZLE	4							
8	2	129550-11310	GASKET, BONNET	1							
9	2	129150-77511	GASKET	1							
10	2	129550-12111	GASKET, MANIFOLD	1							
11	2	129550-13110	GASKET	1							
12	2	129400-13201	GASKET, SILENCER	2							
13	2	121400-11340	SEAL, VALVE STEM	4							
14	2	129150-32020	GASKET, PUMP	1							
15	2	129150-35041	GASKET	1							
16	2	129150-35111	GASKET	1							
17	2	129100-42020	GASKET, WATER PUMP	1							
18	2	129795-49551	GASKET	1							
19	2	129150-49811	GASKET, THERMOSTAT	1							
20	2	129100-49840	GASKET	1							
21	2	104200-59170	GASKET, 12	2							
22	2	43400-500410	SEAL WASHER 8S	7							
23	2	23414-100000	GASKET, 10X1.0	2							
24	2	23414-120000	GASKET, 12X1.0	2							
25	2	129150-49360	GASKET	1							
26	2	124465-44950	GASKET, 16	1							
27	2	24311-000120	O-RING, 1AP12.0	3							
28	2	24311-000160	O-RING, 1AP16.0	3							
29	2	24311-000320	O-RING, 1AP32.0	2							
30	2	24341-000240	O-RING, 1AS24.0	2							
31	2	24341-000500	O-RING, 1AS50.0	1							
32	1	129400-92420	HONE	1							1
33	1	171301-92750	WRENCH, L.O. FILTER	1							

Remarks

(1)OPTIONAL PART.

N:Old $\xrightarrow{\text{Yes}}$ New, Q:Old $\xrightarrow{\text{No}}$ New, R:Old $\xrightarrow{\text{Yes}}$ New, S:Old $\xrightarrow{\text{No}}$ New, W:Add, Z:Discontinued, F:Interchangeable by set, K:Q'ty Change

Parts No. Index

Parts No.	Fig. No.	Ref. No.
	18	1
101304-59020	15	18
101720-55750	15	33
102103-55520	15	28
103338-11190	4	24
103854-39140	15	17
104200-55321	15	2
		24
104200-55330	15	3
		25
104200-55341	15	26
104200-55750	15	10
		34
104200-59170	15	20
	18	21
105025-59530	14	43
	15	22
110250-55610	15	29
114250-53080	14	5
114250-53120	14	9
114250-53130	14	10
114250-53140	14	11
114250-53210	14	12
114250-53400	14	13
119620-01750	3	3
119625-11870	4	30
	18	6
119625-11880	4	31
	18	7
119625-11900	4	32
119840-59560	14	45
119840-59570	14	46
119865-35300	9	24
120130-11860	4	11
121023-01550	2	25
121100-22400	8	24
121111-21501	8	12
121250-44901	10	23
121250-49121	10	37
121250-59550	14	44
121256-44600	10	34
121257-55720	15	30
121257-55731	15	31
121400-11340	4	25
	18	13
121400-12540	5	13
121400-12570	5	15
121450-01560	2	6
121450-44531	10	29
121450-49110	10	35

Parts No.	Fig. No.	Ref. No.
121470-44581	10	31
121492-12590	5	6
121492-42290	10	15
121520-34810	9	14
121550-23200	8	30
121550-49111	10	20
121850-11860	4	15
	10	1
121850-21680	8	11
121850-51960	2	12
	18	4
122117-51560	12	50
122710-51090	12	10
124064-55510	15	27
124066-59100	14	42
	15	14
124080-77201	17	1
124080-77300	17	2
124080-77320	17	5
124080-77330	17	6
124080-77340	17	7
124080-77350	17	8
124080-77360	17	9
124080-77390	17	10
124080-77400	17	12
124080-77420	17	15
124080-77430	17	16
124080-77440	17	20
124080-77450	17	21
124080-77460	17	22
124080-77470	17	23
124080-77480	17	17
124080-77490	17	4
124080-77500	17	18
124080-77510	17	19
124080-77520	17	11
124080-77530	17	14
124101-49530	11	1
124160-01751	2	7
	4	49
124160-01910	1	5
		6
124160-11360	4	59
124160-39140	9	35
124160-39450	9	43
124240-01871	2	8
124240-01883	2	9
	18	3
124250-49351	10	25
124250-77012	16	1

Parts No.	Fig. No.	Ref. No.
124250-77070	16	2
124250-77110	16	6
124250-77120	16	7
124250-77130	16	8
124250-77140	16	9
124250-77150	16	10
124250-77160	16	11
124250-77170	16	12
124250-77180	16	13
124250-77190	16	14
124250-77210	16	16
124250-77220	16	17
124250-77230	16	18
124250-77240	16	19
124250-77250	16	20
124250-77270	16	22
124250-77310	16	26
124250-77320	16	27
124250-77500	16	28
124250-77510	16	29
124250-77520	16	15
124250-77530	16	21
124450-44550	10	33
124450-44560	10	30
124460-11340	4	26
	18	5
124465-44950	10	24
	18	26
124550-21600	8	16
124550-51350	12	32
124550-51370	12	33
124550-59820	9	40
124550-66370	13	55
124574-44761	10	18
124736-07900	4	5
124766-59050	14	41
	15	19
124770-11770	11	4
124950-51190	12	17
128170-51300	12	27
128300-77920	16	37
129100-01580	3	1
		17
	8	2
129100-01640	3	18
129100-01790	3	9
129100-11100	4	20
129100-11110	4	21
129100-23910	8	29
129100-25061	7	9

Parts No.	Fig. No.	Ref. No.
129100-42002	10	2
129100-42020	10	13
	18	17
129100-49050	10	21
129100-49800	11	3
129100-49820	11	6
129100-49830	11	7
129100-49840	11	12
	18	20
129100-52200	12	94
129100-55621	15	1
129100-55650	15	4
129100-55670	15	6
129100-55680	15	7
129100-55690	15	8
129100-55700	15	9
129100-59951	14	48
129100-61400	13	16
129100-61440	13	23
129100-61450	13	70
129100-61650	13	50
129100-61851	13	53
129100-77910	16	36
129102-53000	14	2
129110-44740	10	17
129120-77501	5	22
129150-01200	1	26
129150-02020	1	15
129150-02450	7	4
129150-02800	1	18
129150-02870	1	28
129150-02930	1	21
129150-02940	1	31
129150-03020	4	50
129150-03070	4	51
129150-03080	4	52
129150-03100	2	11
129150-11230	4	41
129150-11280	4	36
129150-11370	4	27
129150-11750	4	43
129150-11810	4	13
129150-14101	7	7
129150-14200	7	1
129150-14400	7	2
129150-21200	8	5
129150-22300	8	23
129150-23600	8	31
129150-23610	8	45
129150-25101	7	10

Parts No. Index

Parts No.	Fig. No.	Ref. No.
129150-25900	7	14
129150-32000	9	1
129150-32020	9	11
	18	14
129150-35041	9	15
	18	15
129150-35091	9	16
129150-35101	9	21
129150-35111	9	22
	18	16
129150-35150	9	23
129150-35350	9	32
129150-49360	10	26
	18	25
129150-49811	11	11
	18	19
129150-59130	14	23
129150-59580	14	47
	15	15
129150-77340	17	24
129150-77511	5	23
	18	9
129155-11260	4	34
129155-11270	4	35
129155-49800	11	10
129155-51020	12	5
129155-51050	12	8
129155-51060	12	9
129155-51140	12	14
129155-51180	12	16
129155-51200	12	18
129155-51270	12	25
129155-51280	12	26
	13	2
129155-51320	12	30
129155-51340	12	31
129155-51370	12	34
129155-51380	12	35
129155-51390	12	36
129155-51410	12	38
129155-51420	12	39
129155-51450	12	40
129155-51521	12	46
129155-51530	12	47
129155-51540	12	48
129155-51550	12	49
129155-51570	12	52
129155-51580	12	53
129155-51591	12	54
129155-51600	12	55

Parts No.	Fig. No.	Ref. No.
129155-51790	12	78
129155-51930	12	80
129155-51940	12	81
129155-52050	12	93
129155-61050	13	5
129155-61060	13	6
129155-61070	13	7
129155-61120	13	8
129155-61130	13	9
129155-61140	13	10
129155-61201	13	11
129155-61341	13	15
129155-61430	13	19
129155-61450	13	24
129155-61480	13	25
129155-61490	13	30
129155-61540	13	49
129155-61810	13	51
129155-61830	13	52
129155-61950	13	54
129156-51910	12	79
129322-77401	15	38
129335-55700	15	23
129400-01520	2	5
129400-01730	3	11
129400-11350	4	48
129400-13201	6	7
	18	12
129400-51100	12	11
129400-59910	14	25
129400-59920	14	29
129400-59930	14	33
129400-59940	14	37
129400-92420	18	32
129402-01321	1	27
	18	2
129402-22080	8	17
129402-22920	8	39
129402-22970	8	41
129403-21590	8	13
129410-77330	17	27
129411-13100	6	1
129415-12500	5	5
129415-12520	5	7
129415-12531	5	8
129415-12541	5	9
129415-12561	5	10
129415-12571	5	11
129415-12901	5	12
129415-13501	6	8

Parts No.	Fig. No.	Ref. No.
129470-51040	12	6
129488-12100	5	1
129500-61500	13	31
129550-11290	4	37
129550-11310	4	55
	18	8
129550-12111	5	2
	18	10
129550-13110	6	2
	18	11
129550-39450	9	36
129550-42350	10	16
129550-59120	14	20
129555-11241	4	33
129555-51400	12	37
129555-51500	12	45
129555-51700	12	74
129555-51710	12	75
129555-51750	12	76
129555-51760	12	77
129555-59510	15	21
129795-01780	3	20
129795-01800	2	4
129795-01950	2	10
129795-02411	1	24
129795-11120	4	22
129795-11180	4	23
129795-21661	8	10
129795-49551	11	2
	18	18
171051-01921	1	7
171051-77100	16	35
171064-44510	10	27
171081-55910	15	35
171301-01640	3	7
171301-21650	8	9
171301-92750	18	33
171350-03090	4	1
171350-13650	6	9
171351-12210	5	4
171351-12570	5	18
171351-12580	5	16
171353-61710	13	76
171420-01600	3	2
171420-34800	9	13
174307-51170	12	15
174307-51560	12	51
174307-51700	13	32
194990-22050	6	3
	10	10

Parts No.	Fig. No.	Ref. No.
22117-040000	13	56
22217-060000	12	82
22217-120000	7	15
22272-000040	13	57
22272-000060	13	58
22287-120000	13	59
22351-030016	13	60
22351-040010	8	8
22351-050010	12	83
22351-060012	4	28
22372-040000	13	61
22512-070140	7	8
	8	6
23000-016000	10	22
23000-060000	5	19
23065-070225	10	32
23414-080000	1	12
23414-100000	9	41
	18	23
23414-120000	14	56
	18	24
23418-060000	15	36
23871-010000	1	8
23871-030000	1	13
	4	16
	10	12
	11	8
23887-100002	13	62
24101-063034	12	84
24311-000120	4	60
	18	27
24311-000160	2	13
	9	33
	10	38
	15	11
	18	28
24311-000320	2	14
	4	56
	18	29
24311-240100	15	12
	15	37
24321-000650	15	13
24341-000160	12	85
24341-000240	2	26
	3	10
	18	30
24341-000500	4	57
	18	31
26014-060252	10	19
26014-080202	6	11

Parts No. Index

Parts No.	Fig. No.	Ref. No.
26014-080252	17	28
26014-080702	15	16
26022-050102	12	86
	13	63
26022-060162	12	87
26106-060122	2	27
26106-060202	13	64
26106-080122	1	14
	2	15
26106-080142	4	6
	5	20
26106-080162	1	25
	2	16
		17
	3	13
	4	58
26106-080202	2	18
	9	34
26106-080252	3	14
	4	46
	11	13
		14
26106-080302	3	21
26106-080352	3	22
	5	3
		24
	9	20
26106-080452	2	19
	3	15
	7	13
26106-080502	3	16
	4	47
	11	15
26106-080552	2	20
26106-080602	10	14
	11	16
26106-080652	11	17
26106-080802	6	4
26106-080852	2	21
26106-081202	17	25
26116-050302	12	88
26116-060162	11	9
26116-120252	16	34
26206-100252	3	4
26206-100302	3	5
26216-060202	4	17
26216-080222	6	5
26216-080802	6	6
26226-080182	4	44
26366-060002	4	29

Parts No.	Fig. No.	Ref. No.
26366-060002	5	21
26366-080002	2	22
	13	65
	17	26
26450-060252	9	12
26557-040122	16	33
26687-120002	13	77
26716-060002	12	89
26716-120002	7	16
26756-080002	4	45
26776-120002	13	66
27231-500000	1	9
27241-120000	1	10
27241-220000	4	18
27241-300000	1	11
27241-400000	4	19
27310-080001	4	24 -1
43400-500390	13	67
43400-500410	2	23
		24
	9	42
	18	22
43400-500430	13	68
43400-500450	13	69
43400-500490	12	90
719810-01500	2	1
729102-53100	14	1
729156-22950	8	35
729400-21700	8	1
729402-01540	3	6
729402-01560	1	1
729402-11650	4	40
729402-11700	4	7
729402-14580	7	3
729402-22500	8	19
729402-22900	8	33
729402-23100	8	25
729415-51360	12	1
933110-00100	16	38
933110-00301	16	40

Parts No.	Fig. No.	Ref. No.
-----------	----------	----------

Parts No.	Fig. No.	Ref. No.
-----------	----------	----------