

0CD10-M42800EN

PREFACE

1. This Parts Catalog is the 1st edition of 3,4T95L(T)-GN Diesel Engine for NISHIHATSU.

Pub. No. : 000Y00D4280
Published : November, 1991

2. Model name

Engine model	Vehicle		Vehicle made by
	Products	Model name	
3,4T95L(T)-GN	—	—	NISHIHATSU

How to read this Parts Catalog.

1. Parts mentioned in Parts Catalog may not necessarily be standard equipping parts
2. Parts change may be made without prior notice.
3. Form of this Parts Catalog.

REF.	LEV.	PARTS No.	DESCRIPTION	QTY						I	R
				(A)	(B)	(C)	(D)	(E)	(F)		
1		729595-51390	FUEL INJECTION PUMP		1	1	1	1			
1-1	1	729595-51391	FUEL INJECTION PUMP	1	1	1	1	1		N	1
3	2	26022-060162	SCREW M 6X16		9	9	9	9	9		
1 3-1	2	26022-060162	SCREW M 6X16		4	4	4	4	4		K
4	2	129470-51040	CAMSHFT		9	9	9	9	9		
5	2	122710-51050	BEARING. ROLLER		9	9	9	9	9		
6	2	129470-51060	RETAINER		9	9	9	9	9		

Remarks	
(1)	BOOST COMPEMSATOR TYPE. OPTIONAL PART. TO E#00155 (4JH-DT, 4JH-DTZ)

① Ref. No.

The Ref. No. in the list may not be in accordance with the Ref. No. on illustration.

(Ex.) illustration No, List heed No,

1 1 (Before change) → 1-1 (After change)

When interchangeable symbol N, and k, illustrations for the new parts are sometimes omitted.

② Lev. (Level)

Indication and Meaning of Level

Level Hereunder is given the relation among the number of number (1,2,3) the level and the nominal parent-child relationship.

1 ---- Parent parts (Assembly parts)

2 ---- Child parts included in " 1 " (Semi-Assembly parts, component parts of Assembly parts.)

3 ---- Child parts included in " 2 ", Grand-child parts in terms of " 1 ".

(Component parts of Semi-Assembly parts.)

Note) A parts of non-sale parts are illustrated but not listed.

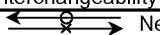
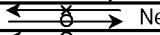
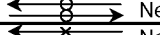
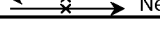
③ Change Mark

Change Mark " I " is given to the part for which a design change was made at this time.

The design change was not shown in the last published Parts Catalog.

④ Interchangeability Mark

In the case where a part change took place, one of the following interchangeability marks is indicated for that part

Symbol	Interchangeability	Contents note
N	Old ←  New	New Part is interchangeable for Old Part but not interchangeable conversely.
Q	Old ←  New	New Part is not interchangeable for Old Part but interchangeable conversely.
R	Old ←  New	New Part is interchangeable for Old Part and vice versa.
S	Old ←  New	New Part is not interchangeable for Old Part and vice versa.
W		Part newly added.
Z		Part discontinued.
F		Not interchangeable single part but interchangeable by set of the related parts.
K		Changed only in quantity used.

⑤ Effective Machine No.

When a part is changed, Effective Machine No. of a Model for which the part is applicable is indication

In each column of (A)-(F).

Product Symbol	Product No.	Product Symbol	Product No.
C	Clutch No, Compressor No,	M	Machine No,
D	Drive No,	T	Tractor No,
E	Engine No,	Note 1)※	Date

Note 1) Date may follow the symbol in some cases. (Ex.) ※1996.01

Note 2) As far as engine models shown by " XXX " are concerned, the modification of the parts could not be Predicted or the engine models themselves could not be identified.

Note 3) (A=E/#00185) means that the design change on the part has been effective for the model at the, column (A) (in the case, for 4JH-DT) on and from E/(Engine Serial Number) 00185

⑥ Remarks Mark

Figures or alphabets (Symbols) are entered in the remark column.

The comments (remarks) on the pertinent parts are indicated in the lower part of the list by the same symbols a those stated above.

Contents

OCD10-M42800

Fig. No.	Fig. Name
ENGINE 3,4T95L(T)-GN	
1.	CYLINDER BLOCK
2.	CYLINDER BLOCK
3.	GEAR HOUSING
4.	OIL SUMP
5.	MOUNTING FLANGE
6.	MAIN METAL
7.	CAMSHAFT METAL
8.	CYLINDER HEAD & BONNET
9.	CYLINDER HEAD & BONNET
10.	SUCTION MANIFOLD & SILENCER
11.	EXHAUST MANIFOLD
12.	CAMSHAFT
13.	TURBO-CHARGER
14.	CRANKSHAFT & PISTON
15.	IDLE GEAR
16.	LUB. OIL SYSTEM
17.	LUB. OIL COOLLER
18.	LUB. OIL PIPES
19.	LUB. OIL PIPES
20.	COOLING WATER SYSTEM
21.	TENSION BELT
22.	COOLING WATER PIPES
23.	FUEL INJECTION PUMP
24.	FUEL INJECTION PUMP

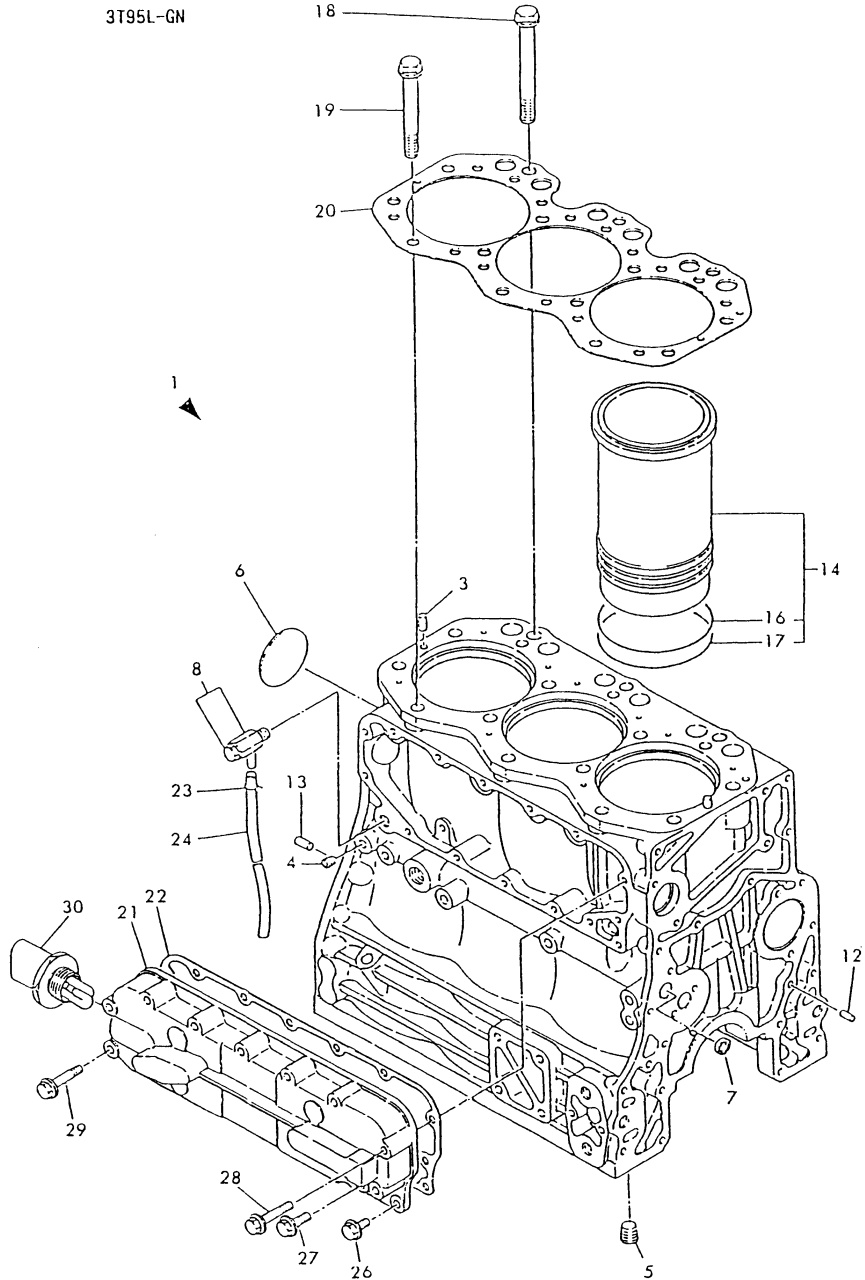
Fig. No.	Fig. Name
25.	FUEL FEED PUMP
26.	FUEL INJECTION VALVE
27.	FUEL FILTER
28.	FUEL PIPES
29.	FUEL PIPES
30.	FUEL RETURN PIPES
31.	GOVERNOR
32.	ENGINE STOPPING DEVICE
33.	REGURATOR
34.	STARTING MOTOR
35.	METER UNIT
36.	TOOLS
37.	GASKET SET(OPTIONAL)

Fig.1. CYLINDER BLOCK

(A)=3T95L-GN
(B)=4T95L-GN
(C)=4T95LT-GN

(D)=
(E)=
(F)=

U71090-01100
021970-01200
021970-01400



No.	Lev.	Parts No.	Description	Q'ty						I	R
				(A)	(B)	(C)	(D)	(E)	(F)		
1	1	721872-01560	BLOCK ASSY, CYLINDER	1							1
3	2	22312-080160	PIN, PARALLEL M8X16	2							
4	2	23871-010000	PLUG, R01	4							
5	2	23871-030000	PLUG, R03	1							
6	2	27231-600000	PLUG, 60	1							
7	2	27241-160000	PLUG, 16	1							
8	2	120130-49350	COCK, 1/4	1							
12	2	22312-080160	PIN, PARALLEL M8X16	4							
13	2	121850-21920	PIN, M10X22	2							
14	1	721850-01900	LINER ASSY, CYLINDER	3							
16	2	120445-01300	GASKET, LINER	3							
17	2	121850-01300	GASKET, LINER	3							
18	1	121850-01200	BOLT, HEAD	11							
19	1	121850-01210	BOLT, HEAD	3							
20	1	121850-01320	GASKET, HEAD	1							
21	1	171090-01400	COVER	1							
22	1	121850-01410	GASKET	1							
23	1	124460-77680	RETAINER	1							
24	1	23061-070300	PIPE, 7X 300	1							
26	1	26106-080202	BOLT, M8X 20 PLATED	5							
27	1	26106-080282	BOLT, M8X 28 PLATED	1							
28	1	26106-080452	BOLT, M8X 45 PLATED	7							
29	1	26106-080602	BOLT, M8X 60 PLATED	2							
30	1	46150-504500	HEATER	1							

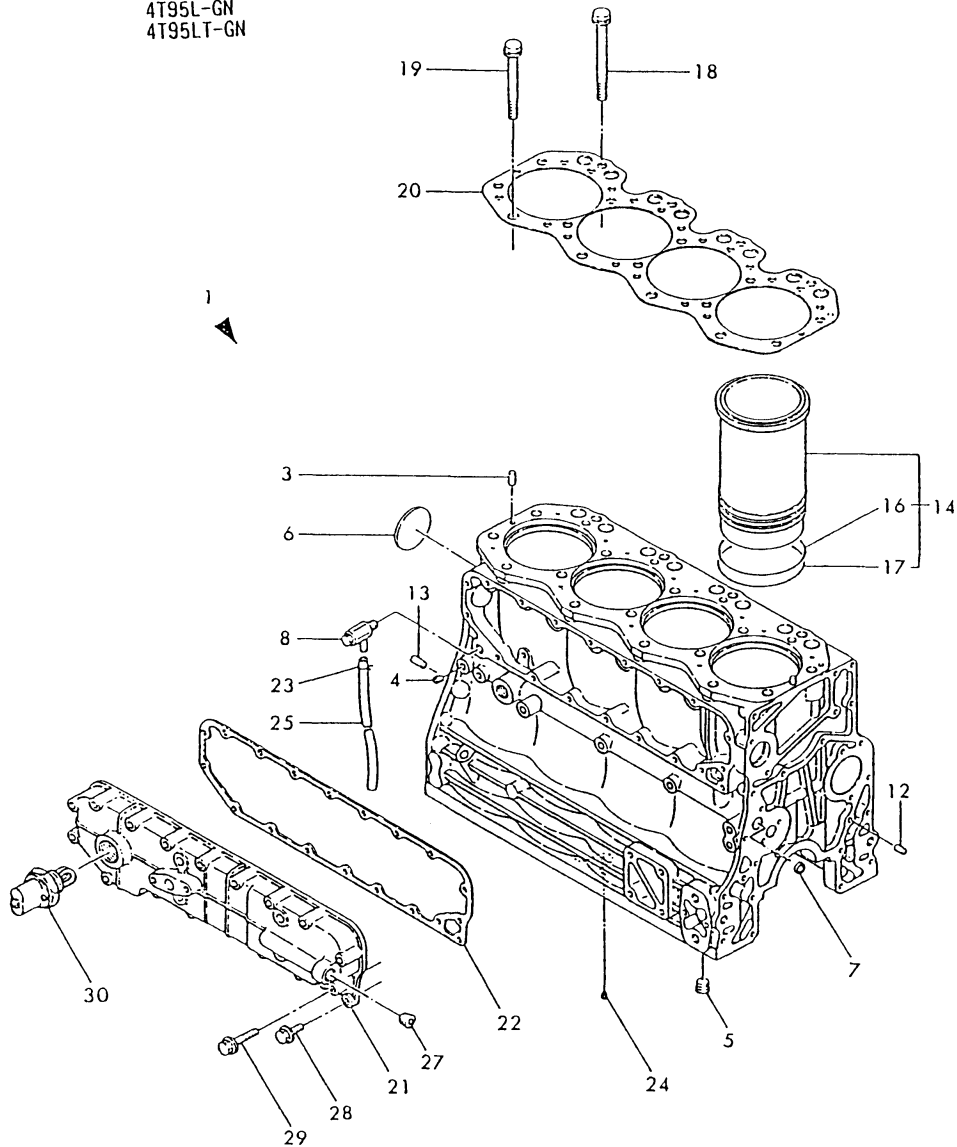
Fig.2. CYLINDER BLOCK

(A)=3T95L-GN
 (B)=4T95L-GN
 (C)=4T95LT-GN

(D)=
 (E)=
 (F)=

U71093-01100
 021970-01200
 021972-01210
 021970-01400

4T95L-GN
 4T95LT-GN



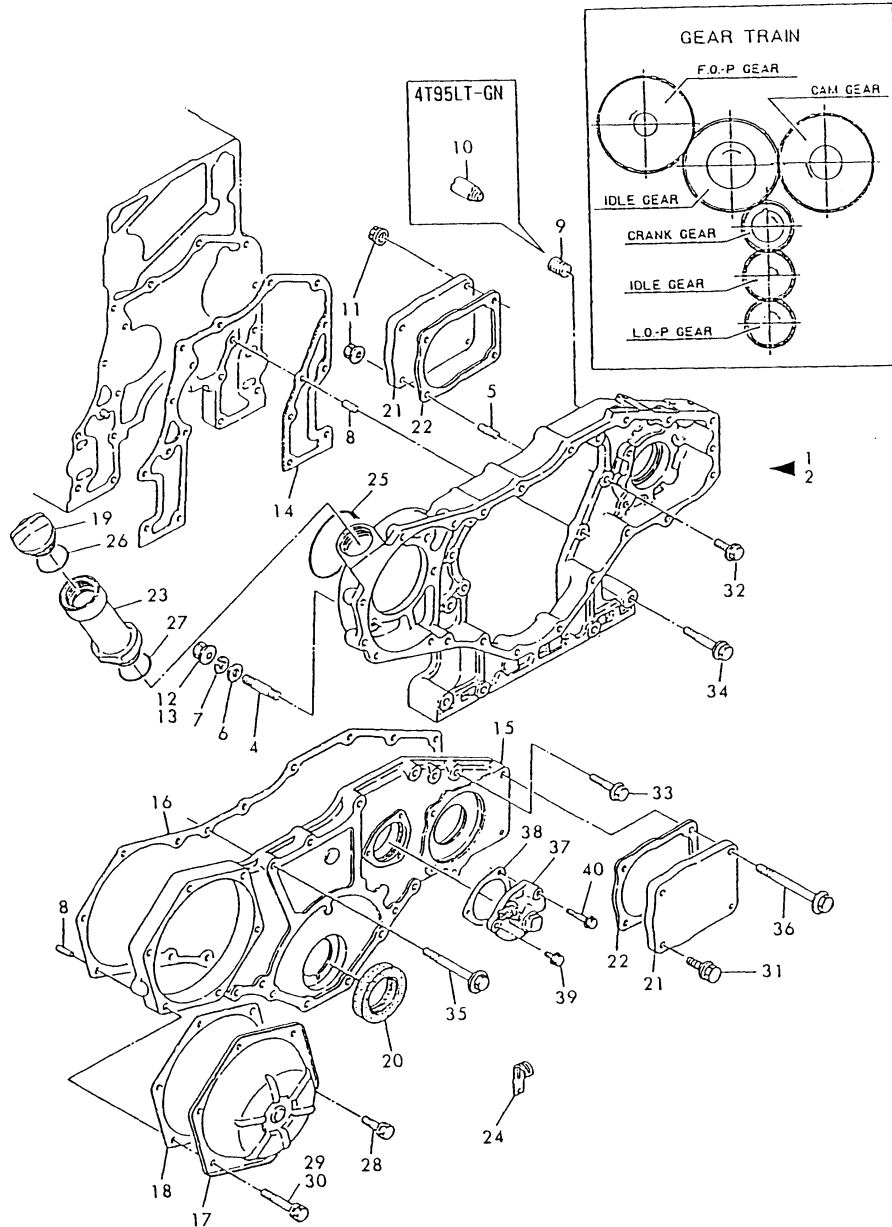
No.	Lev.	Parts No.	Description	Q'ty						I	R
				(A)	(B)	(C)	(D)	(E)	(F)		
1	1	721952-01560	BLOCK ASSY, CYLINDER	1	1						1
3	2	22312-080160	PIN, PARALLEL M8X16		2	2					
4	2	23871-010000	PLUG, R01		5	5					
5	2	23871-030000	PLUG, R03		2	2					
6	2	27231-600000	PLUG, 60		1	1					
7	2	27241-160000	PLUG, 16		1	1					
8	2	120130-49350	COCK, 1/4		1	1					
12	2	22312-080160	PIN, PARALLEL M8X16		4	4					
13	2	121850-21920	PIN, M10X22		2	2					
14	1	721850-01900	LINER ASSY, CYLINDER		4	4					
16	2	120445-01300	GASKET, LINER		4	4					
17	2	121850-01300	GASKET, LINER		4	4					
18	1	121850-01200	BOLT, HEAD		14	14					
19	1	121850-01210	BOLT, HEAD		4	4					
20	1	121950-01320	GASKET, HEAD T=1.4		1	1					
21	1	121952-01401	COVER		1	1					
22	1	121950-01410	GASKET		1	1					
23	1	124460-77680	RETAINER		1	1					
24	1	123385-82200	PLUG, 1/16		1	1					
25	1	23061-070300	PIPE, 7X 300		1	1					
27	1	23871-030000	PLUG, R03		1	1					
28	1	26106-080252	BOLT, M8X 25 PLATED		7	7					
29	1	26106-080502	BOLT, M8X 50 PLATED		12	12					
30	1	46150-504500	HEATER		1	1					

Fig.3. GEAR HOUSING

(A)=3T95L-GN
(B)=4T95L-GN
(C)=4T95LT-GN

(D)=
(E)=
(F)=

021970-01200
021972-01210
021750-91100



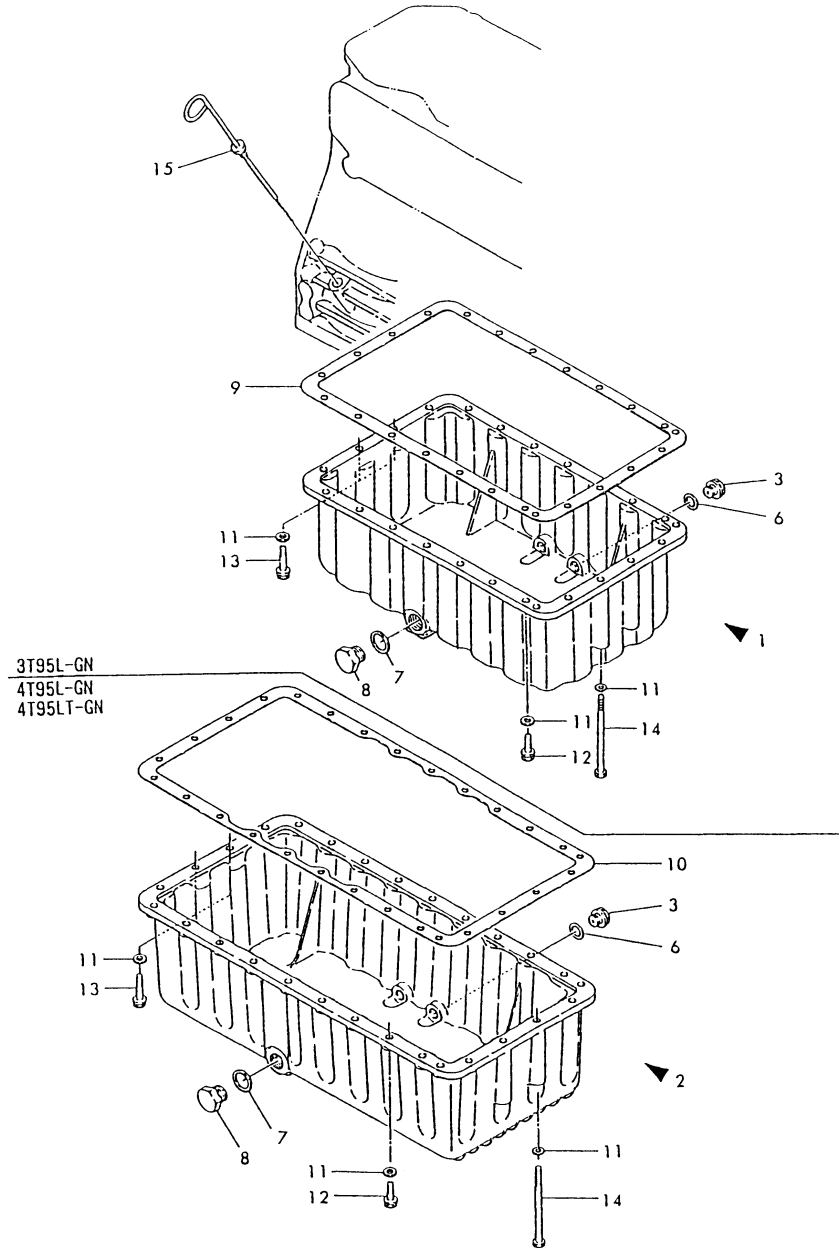
No.	Lev.	Parts No.	Description	Qty						I	R
				(A)	(B)	(C)	(D)	(E)	(F)		
1	1	721850-01610	CASE ASSY, GEAR	1	1						
2	1	721850-01611	CASE ASSY, GEAR					1			
4	2	121850-01900	STUD, SB10X32	4	4			4			
5	2	121850-01920	STUD, 2D8X22	2	2			2			
6	2	22137-100000	WASHER, 10	4	4			4			
7	2	22217-100000	WASHER, SPRING 10	4	4			4			
8	2	22312-080160	PIN, PARALLEL M8X16	4	4			4			
9	2	23871-030000	PLUG, R03	1	1						
10	2	104407-44480	JOINT							1	
11	2	26366-080002	NUT, M8	4	4			4			
12	2	26366-100002	NUT, M10	4	4						
13	2	26706-100002	NUT, M10							4	
14	1	121850-01510	GASKET, GEAR CASE	1	1			1			
15	1	121850-01520	COVER, GEAR CASE	1	1			1			
16	1	121850-01530	GASKET, GEAR CASE	1	1			1			
17	1	121850-01550	COVER	1	1			1			
18	1	121850-01560	GASKET	1	1			1			
19	1	124160-01751	COVER, FILLER	1	1			1			
20	1	121850-01800	SEAL, OIL	1	1			1			
21	1	124610-01851	COVER	2	2			2			
22	1	124610-01862	GASKET	2	2			2			
23	1	121027-11742	PIPE	1	1			1			
24	1	194440-51620	CLAMP	1	1			1			
25	1	121850-51960	O-RING	1	1			1			
26	1	24311-000320	O-RING, 1AP32.0	1	1			1			
27	1	24321-000350	O-RING, 1AG35.0	1	1			1			
28	1	26014-080162	BOLT, M8X 16	1	1			1			
29	1	26014-080402	BOLT, M8X 40	5	5						
30	1	26013-080402	BOLT, M8X 40							5	
31	1	26106-080162	BOLT, M8X 16 PLATED	2	2			2			
32	1	26106-080222	BOLT, M8X 22 PLATED	5	5			2			
33	1	26106-080382	BOLT, M8X 38 PLATED	5	5			5			
34	1	26106-080552	BOLT, M8X 55 PLATED	4	4			4			
35	1	26106-080752	BOLT, M8X 75 PLATED	7	7			7			
36	1	26106-080902	BOLT, M8X 90 PLATED	2	2			2			
37	1	121750-91400	GEAR	1	1			1			
38	1	124250-91412	GASKET	1	1			1			
39	1	26106-060142	BOLT, M6X 14 PLATED	2	2			2			
40	1	26106-060302	BOLT, M6X 30 PLATED	1	1			1			

Fig.4. OIL SUMP

021870-01300
021970-01300
021850-34100

(A)=3T95L-GN
(B)=4T95L-GN
(C)=4T95LT-GN

(D)=
(E)=
(F)=



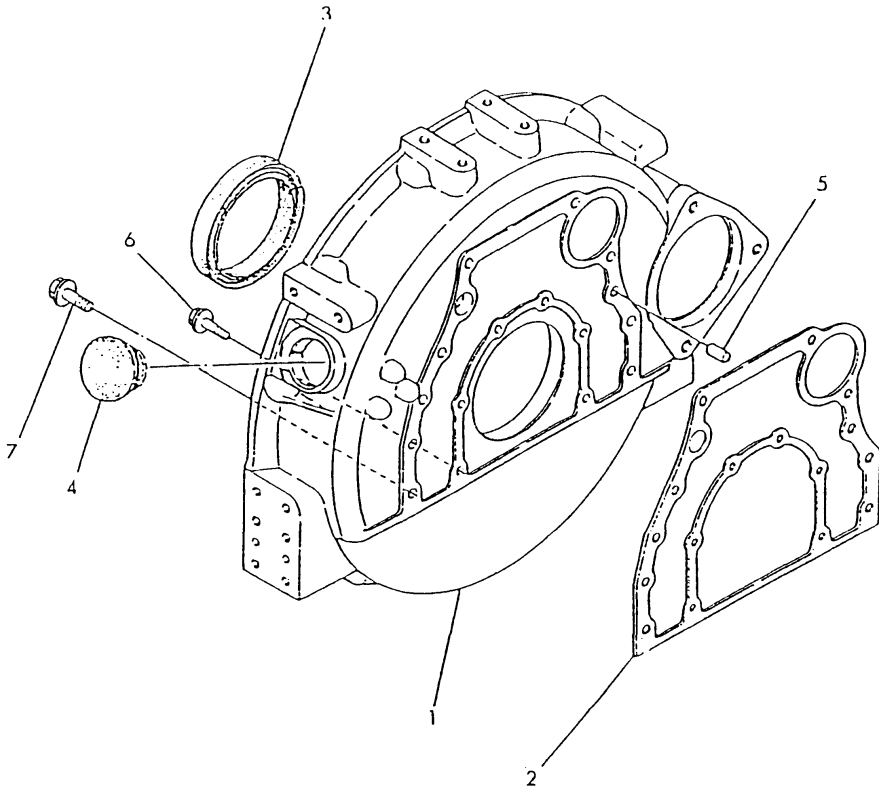
No.	Lev.	Parts No.	Description	Q'ty						I	R
				(A)	(B)	(C)	(D)	(E)	(F)		
1	1	721872-01540	SUMP ASSY, OIL	1							
2	1	721970-01540	SUMP ASSY, OIL		1						
3	2	105425-01690	PLUG, 16	1	1	1					
6	2	23414-160000	GASKET, 16X1.0	1	1	1					
7	2	23414-240000	GASKET, 24X1.0	1	1	1					
8	2	23887-240002	PLUG, 24	1	1	1					
9	1	121872-01710	GASKET, OIL SUMP	1							
10	1	121970-01710	GASKET, OIL SUMP		1	1					
11	1	22117-080000	WASHER, 8	24	28	28					
12	1	26106-080252	BOLT, M8X 25 PLATED	20	24	24					
13	1	26106-080382	BOLT, M8X 38 PLATED	2	2	2					
14	1	26116-081202	BOLT, M8X120 PLATED	2	2	2					
15	1	121850-34800	DIPSTICK, OIL	1	1	1					

Fig.5. MOUNTING FLANGE

(A)=3T95L-GN
 (B)=4T95L-GN
 (C)=4T95LT-GN

(D)=
 (E)=
 (F)=

021970-01400



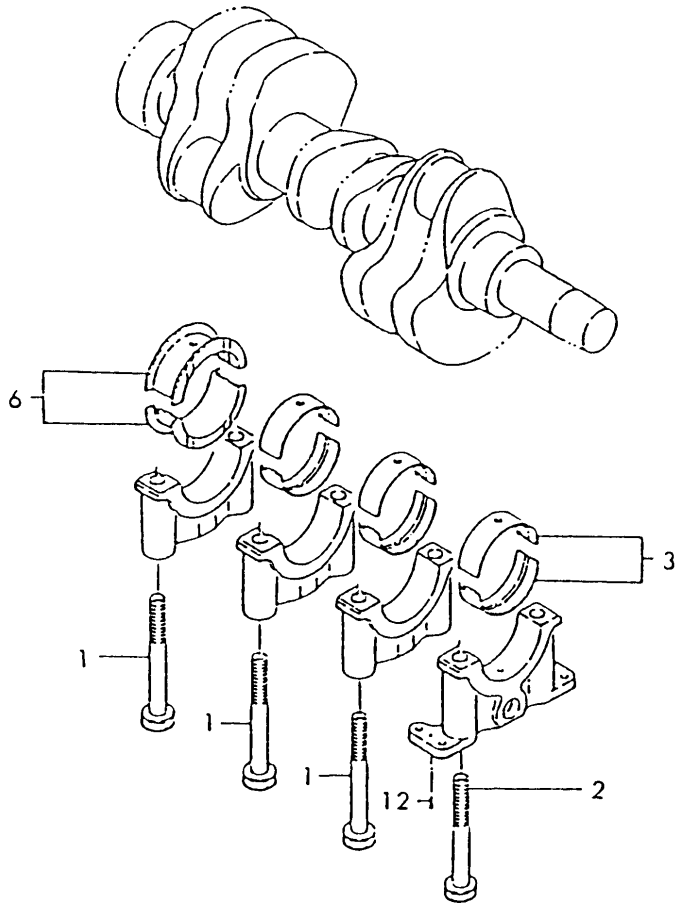
No.	Lev.	Parts No.	Description	Q'ty						I	R	
				(A)	(B)	(C)	(D)	(E)	(F)			
1	1	171090-01601	HOUSING, FLYWHEEL	1	1	1						
2	1	121970-01610	GASKET	1	1	1						
3	1	124227-01780	SEAL, OIL	1	1	1						
4	1	129795-11750	CAP	1	1	1						
5	1	121850-21920	PIN, M10X22	2	2	2						
6	1	26106-080282	BOLT, M8X 28 PLATED	6	6	6						
7	1	26106-100302	BOLT, M10X 30 PLATED	8	8	8						

Fig.6. MAIN METAL

(A)=3T95L-GN
 (B)=4T95L-GN
 (C)=4T95LT-GN

(D)=
 (E)=
 (F)=

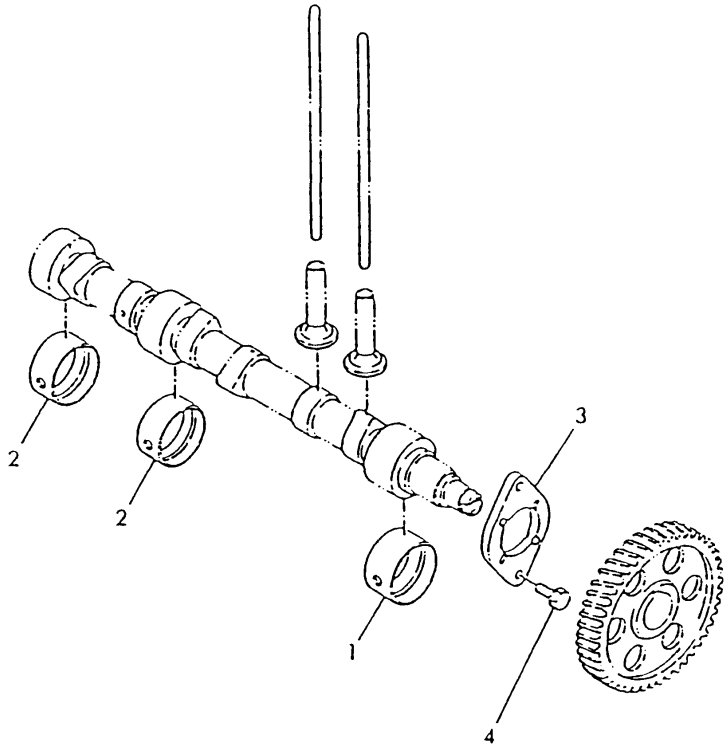
021876-02100
 021976-02100



No.	Lev.	Parts No.	Description	Q'ty						I	R
				(A)	(B)	(C)	(D)	(E)	(F)		
1	1	121850-02070	BOLT, METAL CAP	6	8	8					
2	1	121850-02080	BOLT, METAL CAP	2	2	2					
3	1	124610-02150	BEARING, MAIN	3	4	4					
6	1	124610-02160	BEARING, MAIN	1	1	1					
12	1	22351-040010	PIN, SPRING 4.0X10	2	2	2					

Fig.7. CAMSHAFT METAL

021850-02200



(A)=3T95L-GN
(B)=4T95L-GN
(C)=4T95LT-GN

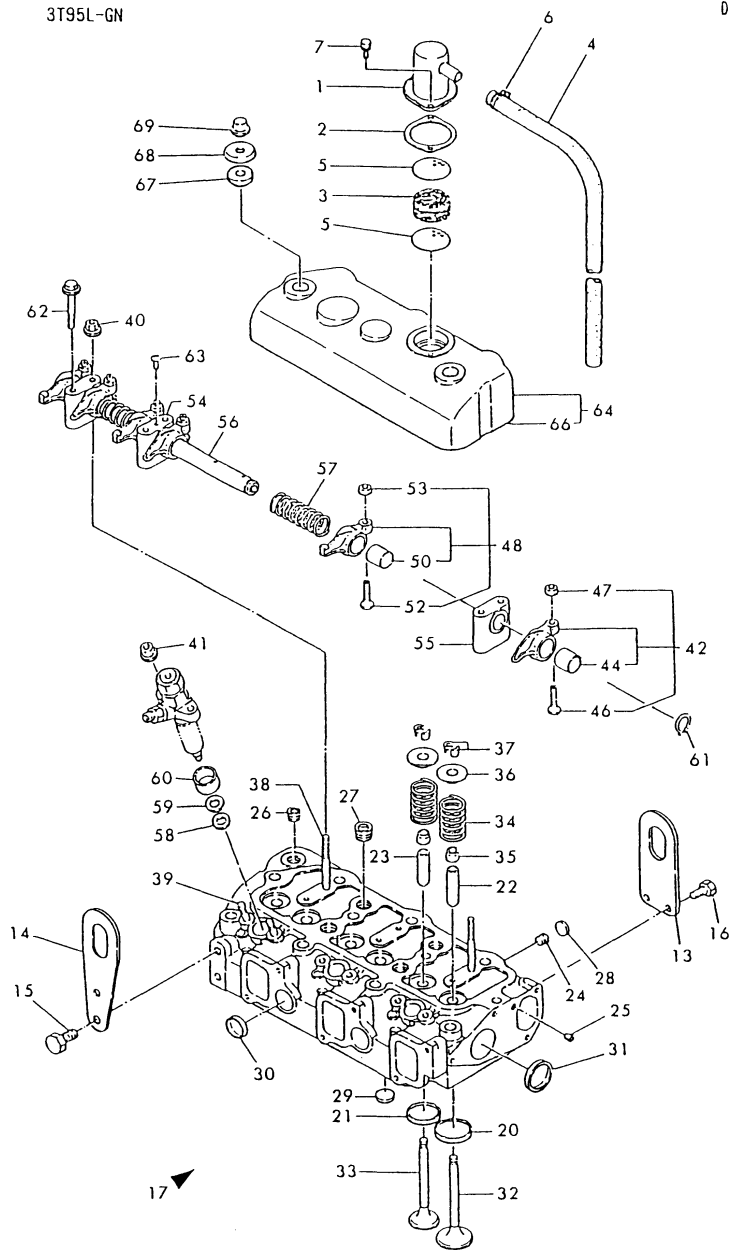
(D)=
(E)=
(F)=

No.	Lev.	Parts No.	Description	Q'ty						I	R
				(A)	(B)	(C)	(D)	(E)	(F)		
1	1	121850-02410	BUSH, CAMSHAFT	1	1	1					
2	1	121850-02420	BUSH, CAMSHAFT	2	2	2					
3	1	121850-02450	BEARING, THRUST	1	1	1					
4	1	26013-080202	BOLT, M8X 20	2	2	2					

Fig.8. CYLINDER HEAD & BONNET

(A)=3T95L-GN
(B)=4T95L-GN
(C)=4T95LT-GN

(D)=
(E)=
(F)=



021970-03100
U71090-07130
D24411-07200
D21820-11100
D21820-11200

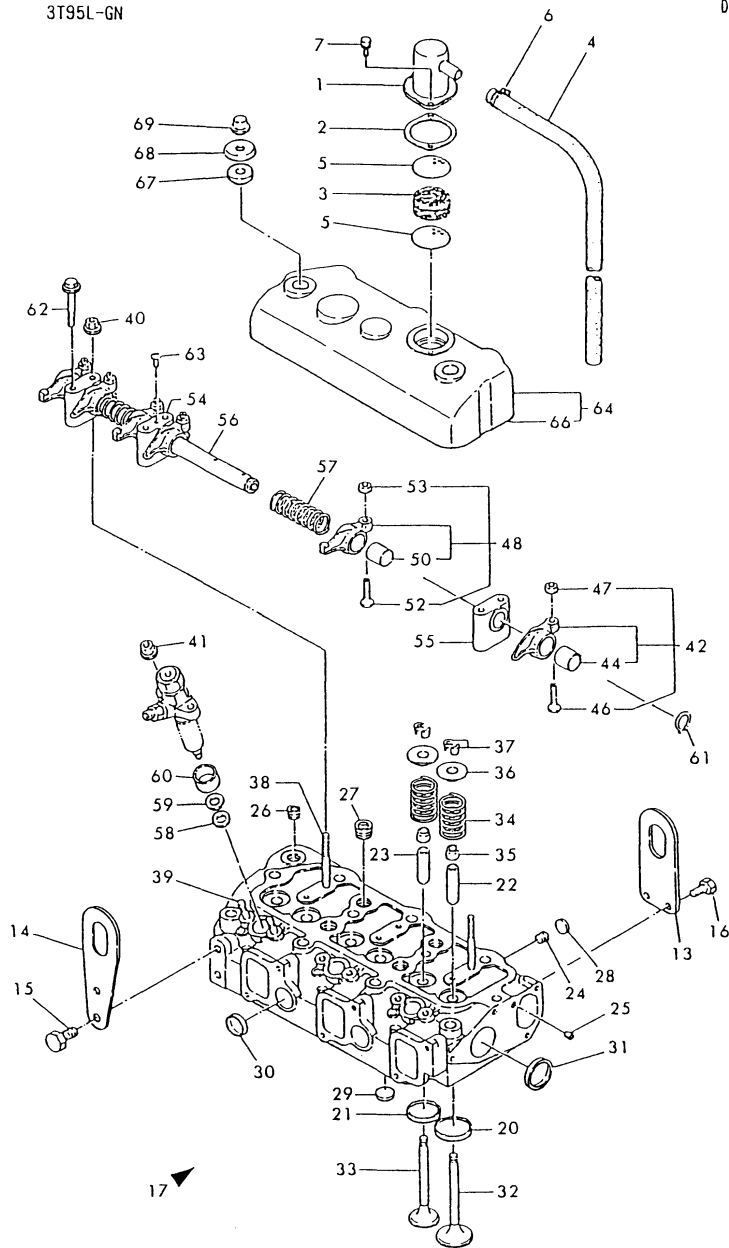
No.	Lev.	Parts No.	Description	Q'ty						I	R
				(A)	(B)	(C)	(D)	(E)	(F)		
1	1	121850-03020	COVER, BREATHER	1							
2	1	121750-03030	GASKET	1							
3	1	121850-03050	FILTER, BREATHER	1							
4	1	121970-03060	PIPE, BREATHER	1							
5	1	121750-03080	PLATE, BAFFLE	2							
6	1	23010-023000	CLAMP, 23	1							
7	1	26014-060142	BOLT, M6X 14	2							
13	1	124411-07210	LIFTER	1							
14	1	124411-07220	LIFTER	1							
15	1	26116-120222	BOLT, M12X 22 PLATED	2							
16	1	26206-100182	BOLT, M10X 18 PLATED	2							
17	1	721850-11700	HEAD ASSY, CYLINDER	1							
20	2	121952-11080	SEAT, INTAKE VALVE	3							
21	2	121850-11090	SEAT, EXHAUST VALVE	3							
22	2	121850-11160	GUIDE, VALVE	3							
23	2	120320-11171	GUIDE, VALVE	3							
24	2	121850-11860	PLUG, PT1/4	3							
25	2	23871-010000	PLUG, R01	1							
26	2	23871-030000	PLUG, R03	1							
27	2	23871-040000	PLUG, R04	4							
28	2	27241-180000	PLUG, 18	3							
29	2	27241-220000	PLUG, 22	3							
30	2	27241-280000	PLUG, 28	2							
31	2	27241-400000	PLUG, 40	2							
32	2	121850-11100	VALVE, INTAKE	3							
33	2	121952-11110	VALVE, EXHAUST	3							
34	2	121850-11120	SPRING, VALVE	6							
35	2	121850-11150	SEAL, VALVE STEM	6							
36	2	121850-11180	RETAINER, SPRING	6							
37	2	124250-11190	COTTER	6							
38	2	127610-11350	STUD	2							
39	2	26216-080352	STUD, M8X 35	6							
40	2	26366-080002	NUT, M8	2							
41	2	26366-080002	NUT, M8	6							
42	1	721850-11650	ARM ASSY, ROCKER	3							
44	2	127610-11170	BUSH, ROCKER ARM	3							
46	2	120220-11230	SCREW, VALVE ADJUST	3							
47	2	26756-080002	NUT, LOCK M8	3							
48	1	721850-11660	ARM ASSY, ROCKER	3							
50	2	127610-11170	BUSH, ROCKER ARM	3							
52	2	120220-11230	SCREW, VALVE ADJUST	3							
53	2	26756-080002	NUT, LOCK M8	3							
54	1	121850-11250	SUPPORT, ROCKER ARM	1							
55	1	121850-11260	SUPPORT, ROCKER ARM	2							
56	1	121850-11270	SHAFT, ROCKER ARM	1							
57	1	121850-11390	SPRING	2							
58	1	128610-11900	INSULATOR	3							
59	1	128610-11910	GASKET, NOZZLE	3							
60	1	121850-11920	COVER	3							
61	1	22242-000200	RING, 20	2							
62	1	26106-080602	BOLT, M8X 60 PLATED	4							

Fig.8. CYLINDER HEAD & BONNET

(A)=3T95L-GN
(B)=4T95L-GN
(C)=4T95LT-GN

(D)=
(E)=
(F)=

021970-03100
U71090-07130
D24411-07200
D21820-11100
D21820-11200

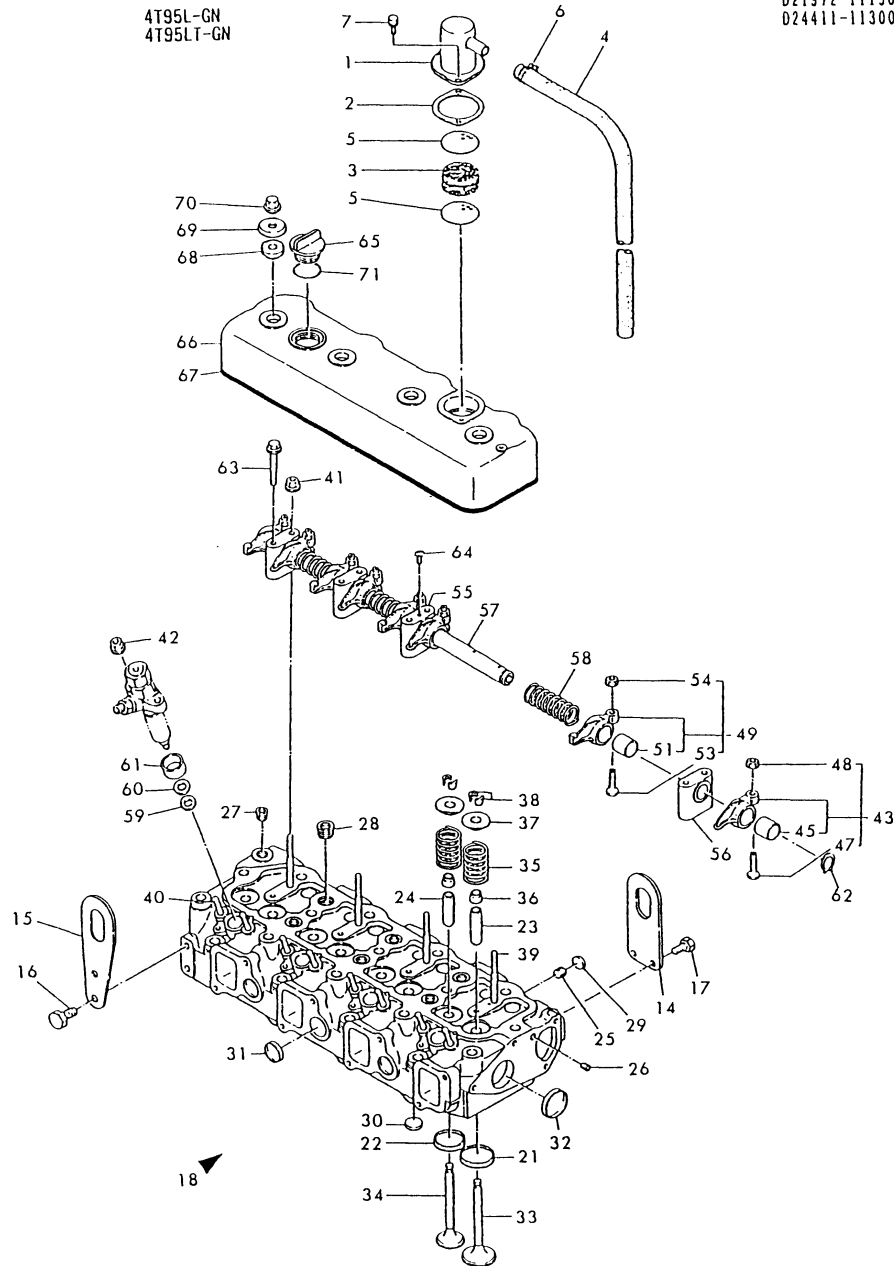


No.	Lev.	Parts No.	Description	Q'ty						I	R
				(A)	(B)	(C)	(D)	(E)	(F)		
63	1	26557-060162	SCREW M 6X 16	1							
64	1	121820-11300	BONNET ASSY, HEAD	1							
66	2	124311-11310	GASKET	1							
67	1	124411-11320	RUBBER	2							
68	1	124411-11330	WASHER	2							
69	1	124160-11360	KNOB	2							

Fig.9. CYLINDER HEAD & BONNET

(A)=3T95L-GN
(B)=4T95L-GN
(C)=4T95LT-GN

(D)=
(E)=
(F)=



021970-03100
U71092-07130
U71093-07030
024411-07200
021972-11150
024411-11300

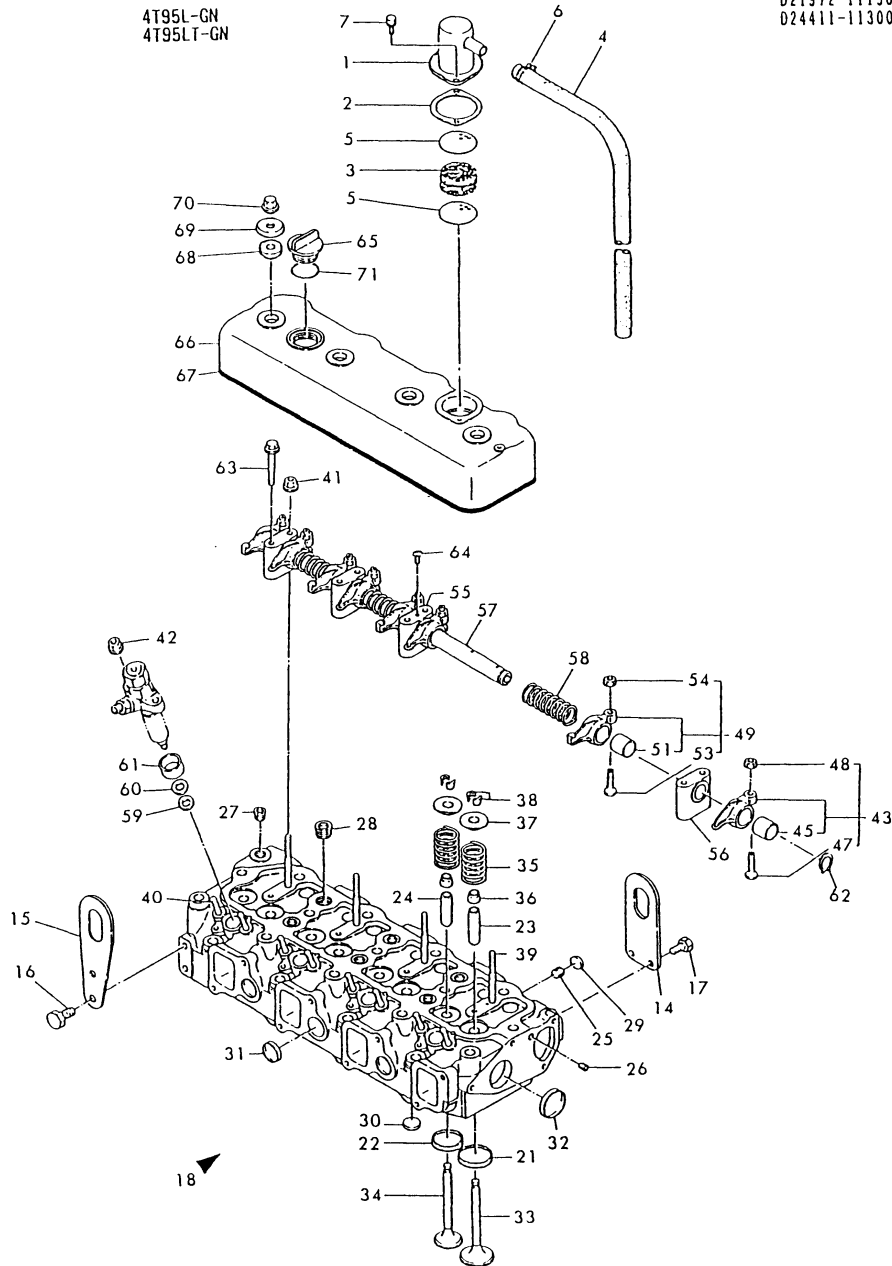
No.	Lev.	Parts No.	Description	Q'ty						I	R
				(A)	(B)	(C)	(D)	(E)	(F)		
1	1	121850-03020	COVER, BREATHER	1	1						
2	1	121750-03030	GASKET	1	1						
3	1	121850-03050	FILTER, BREATHER	1	1						
4	1	121970-03060	PIPE , BREATHER	1	1						
5	1	121750-03080	PLATE, BAFFLE	2	2						
6	1	23010-023000	CLAMP, 23	1	1						
7	1	26014-060142	BOLT, M6X 14	2	2						
14	1	124411-07210	LIFTER	1	1						
15	1	124411-07220	LIFTER	1	1						
16	1	26116-120222	BOLT, M12X 22 PLATED	2	2						
17	1	26206-100182	BOLT, M10X 18 PLATED	2	2						
18	1	721952-11700	HEAD ASSY, CYLINDER	1	1						
21	2	121952-11080	SEAT, INTAKE VALVE	4	4						
22	2	121850-11090	SEAT, EXHAUST VALVE	4	4						
23	2	121850-11160	GUIDE, VALVE	4	4						
24	2	120320-11171	GUIDE, VALVE	4	4						
25	2	121850-11860	PLUG, PT1/4	4	4						
26	2	23871-010000	PLUG, R01	1	1						
27	2	23871-030000	PLUG, R03	1	1						
28	2	23871-040000	PLUG, R04	6	6						
29	2	27241-180000	PLUG, 18	4	4						
30	2	27241-220000	PLUG, 22	4	4						
31	2	27241-280000	PLUG, 28	3	3						
32	2	27241-400000	PLUG, 40	2	2						
33	2	121850-11100	VALVE, INTAKE	4	4						
34	2	121952-11110	VALVE, EXHAUST	4	4						
35	2	121850-11120	SPRING, VALVE	8	8						
36	2	121850-11150	SEAL, VALVE STEM	8	8						
37	2	121850-11180	RETAINER, SPRING	8	8						
38	2	124250-11190	COTTER	8	8						
39	2	127610-11350	STUD	4	4						
40	2	26216-080352	STUD, M8X 35	8	8						
41	2	26366-080002	NUT, M8	4	4						
42	2	26366-080002	NUT, M8	8	8						
43	1	721850-11650	ARM ASSY, ROCKER	4	4						
45	2	127610-11170	BUSH, ROCKER ARM	4	4						
47	2	120220-11230	SCREW, VALVE ADJUST	4	4						
48	2	26756-080002	NUT, LOCK M8	4	4						
49	1	721850-11660	ARM ASSY, ROCKER	4	4						
51	2	127610-11170	BUSH, ROCKER ARM	4	4						
53	2	120220-11230	SCREW, VALVE ADJUST	4	4						
54	2	26756-080002	NUT, LOCK M8	4	4						
55	1	121850-11250	SUPPORT, ROCKER ARM	1	1						
56	1	121850-11260	SUPPORT, ROCKER ARM	3	3						
57	1	121950-11270	SHAFT, ROCKER ARM	1	1						
58	1	121850-11390	SPRING	3	3						
59	1	128610-11900	INSULATOR	4	4						
60	1	128610-11910	GASKET, NOZZLE	4	4						
61	1	121850-11920	COVER	4	4						
62	1	22242-000200	RING, 20	2	2						
63	1	26106-080602	BOLT, M8X 60 PLATED	4	4						

Fig.9. CYLINDER HEAD & BONNET

(A)=3T95L-GN
(B)=4T95L-GN
(C)=4T95LT-GN

(D)=
(E)=
(F)=

021970-03100
071092-07130
071093-07030
024411-07200
021972-11150
024411-11300



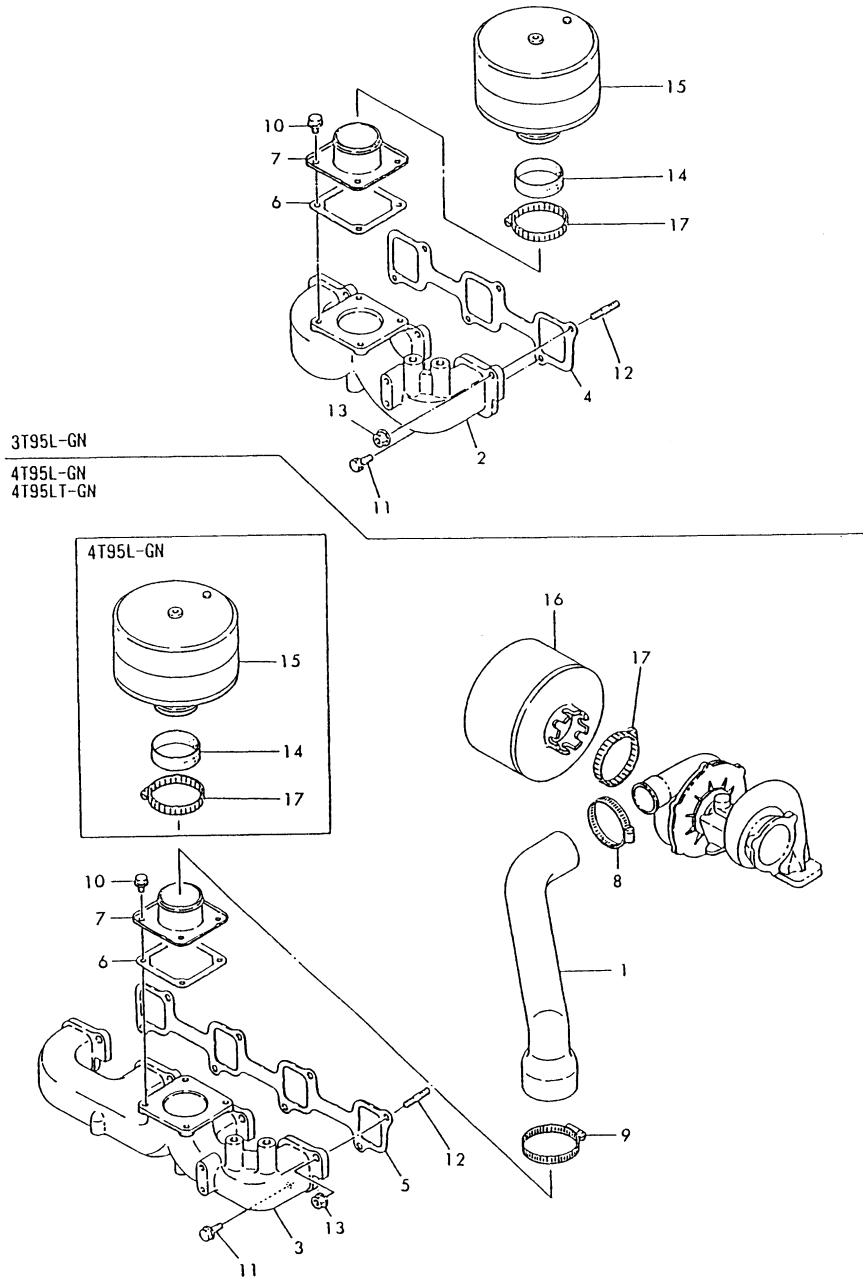
No.	Lev.	Parts No.	Description	Q'ty						I	R
				(A)	(B)	(C)	(D)	(E)	(F)		
64	1	26557-060162	SCREW M 6X 16		1	1					
65	1	124160-01751	COVER, FILLER		1	1					
66	1	124411-11300	COVER, BONNET		1	1					
67	1	124411-11310	GASKET		1	1					
68	1	124411-11320	RUBBER		4	4					
69	1	124411-11330	WASHER		4	4					
70	1	124160-11360	KNOB		4	4					
71	1	24311-000320	O-RING, 1AP32.0		1	1					

Fig.10. SUCTION MANIFOLD & SILENCER

(A)=3T95L-GN
(B)=4T95L-GN
(C)=4T95LT-GN

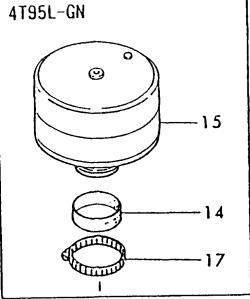
(D)=
(E)=
(F)=

021870-12100
021972-12150
071090-12200
071090-12210



3T95L-GN

4T95L-GN
4T95LT-GN



No.	Lev.	Parts No.	Description	Q'ty						I	R
				(A)	(B)	(C)	(D)	(E)	(F)		
1	1	121972-12050	PIPE, AIR INTAKE		1	1					
2	1	121850-12100	MANIFOLD, AIR INTAKE	1							
3	1	121950-12100	MANIFOLD, AIR INTAKE		1	1					
4	1	121850-12110	GASKET, MANIFOLD	1							
5	1	121950-12110	GASKET, MANIFOLD		1	1					
6	1	121850-77021	GASKET	1	1	1					
7	1	121850-77100	CAPSULE	1	1	1					
8	1	23000-060000	CLAMP, 60		1	1					
9	1	23000-070000	CLAMP, 70		1	1					
10	1	26106-080142	BOLT, M8X 14 PLATED	4	4	4					
11	1	26106-080222	BOLT, M8X 22 PLATED	3	4	4					
12	1	26216-080202	STUD, M8X 20	3	4	4					
13	1	26366-080002	NUT, M8	3	4	4					
14	1	171090-18051	RUBBER, SEAL	1	1						
15	1	123650-18851	SILENCER	1	1						
15A	2	XNH169509 (A=1992.09) (B=1992.09)	BOLT M 8X 14 PLATED	1	1						W
15B	2	124413-18040 (A=1992.09) (B=1992.09)	CLIP	1	1						W
16	1	127412-18853	SILENCER			1					
17	1	23000-070000	CLAMP, 70	1	1	1					

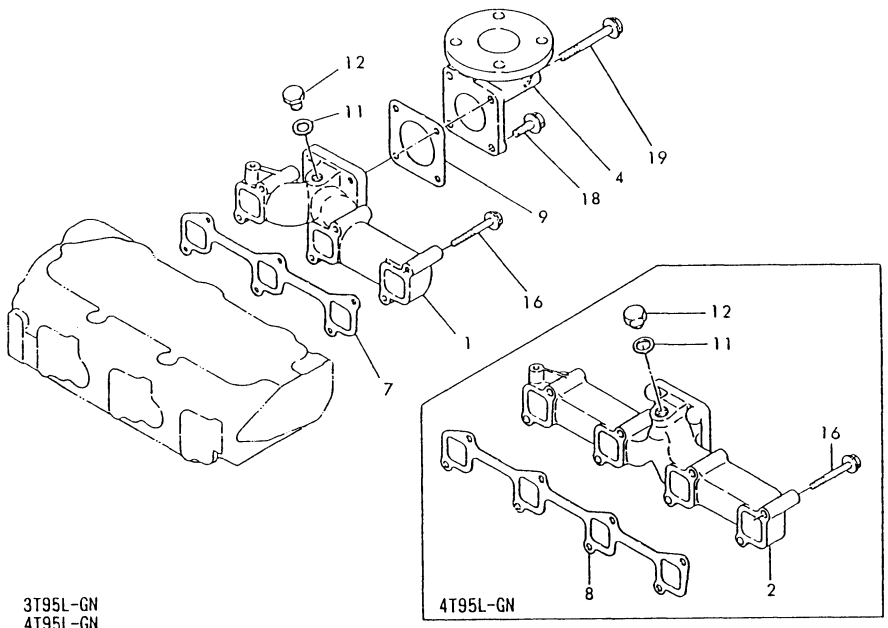
Fig.11. EXHAUST MANIFOLD

(A)=3T95L-GN
(B)=4T95L-GN
(C)=4T95LT-GN

(D)=
(E)=
(F)=

021872-13100TK
021970-13150TK
021972-13100TK

No.	Lev.	Parts No.	Description	Qty						I	R
				(A)	(B)	(C)	(D)	(E)	(F)		
1	1	121872-13100	MANIFOLD, EXHAUST	1							
2	1	121970-13100	MANIFOLD, EXHAUST		1						
3	1	121972-13100	MANIFOLD, EXHAUST			1					
4	1	121872-13110	ELBOW	1	1						
5	1	121972-13110	ELBOW			1					
6	1	121972-13130	SUPPORT			1					
7	1	121850-13200	GASKET	1							
8	1	121950-13200	GASKET, SILENCER		1	1					
9	1	121970-13210	GASKET	1	1						
10	1	121252-18190	GASKET				1				
11	1	23414-170000	GASKET, 17X1.0	1	1	1					
12	1	23897-030002		1	1	1					
13	1	26014-080182	BOLT, M8X 18				3				
14	1	26106-080552	BOLT, M8X 55 PLATED				2				
15	1	26106-080602	BOLT, M8X 60 PLATED				1				
16	1	26106-080652	BOLT, M8X 65 PLATED	6	8	1					
17	1	26106-081002	BOLT, M8X100 PLATED				2				
18	1	26106-100282	BOLT, M10X 28 PLATED				2	2			
19	1	26106-100852	BOLT, M10X 85 PLATED	2	2						
20	1	26216-080252	STUD, M8X 25				3				
21	1	26216-080502	STUD, M8X 50				2				
22	1	26366-080002	NUT, M8				3				
23	1	26366-080002	NUT, M8				2				



3T95L-GN
4T95L-GN
4T95LT-GN

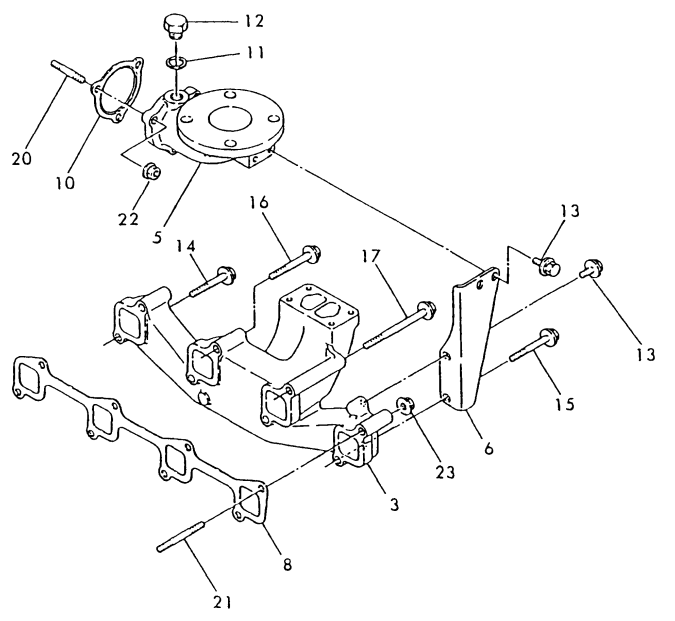


Fig.12. CAMSHAFT

D21850-14100
 D21950-14100
 D21952-14100

(A)=3T95L-GN
 (B)=4T95L-GN
 (C)=4T95LT-GN

(D)=
 (E)=
 (F)=

No.	Lev.	Parts No.	Description	Q'ty						I	R
				(A)	(B)	(C)	(D)	(E)	(F)		
1	1	721850-14580	CAMSHAFT ASSY	1							
2	1	721950-14580	CAMSHAFT ASSY		1						
3	1	721952-14580	CAMSHAFT ASSY			1					
7	2	121850-14100	GEAR, CAMSHAFT	1	1	1					
8	2	22512-070220	KEY, 7X 22	1	1	1					
9	2	121850-02450	BEARING, THRUST	1	1	1					
10	1	121875-14200	TAPPET	6	8	8					
11	1	121850-14400	ROD, PUSH	6	8	8					

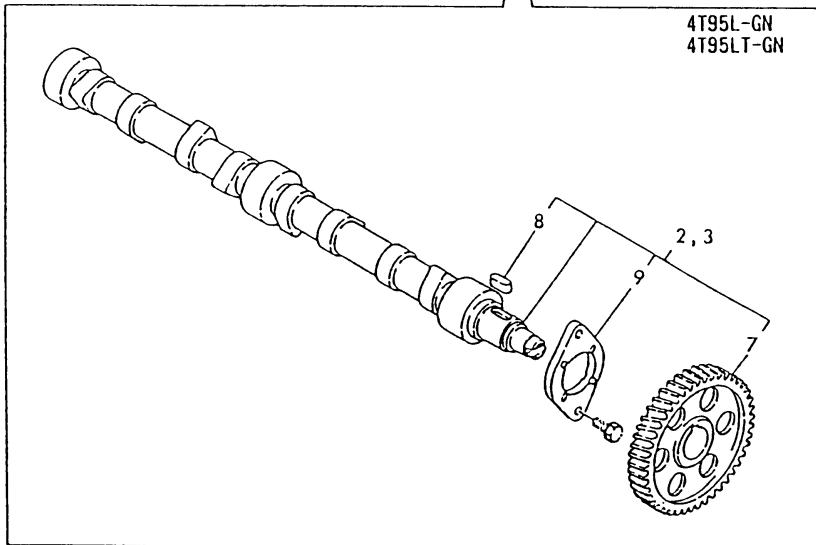
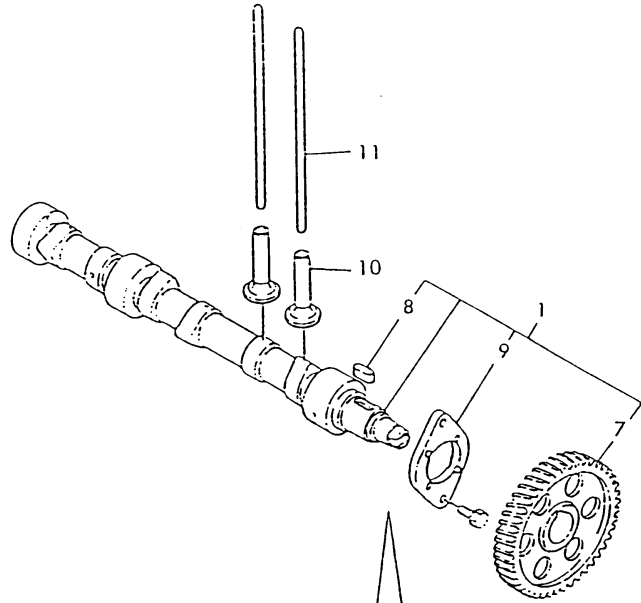
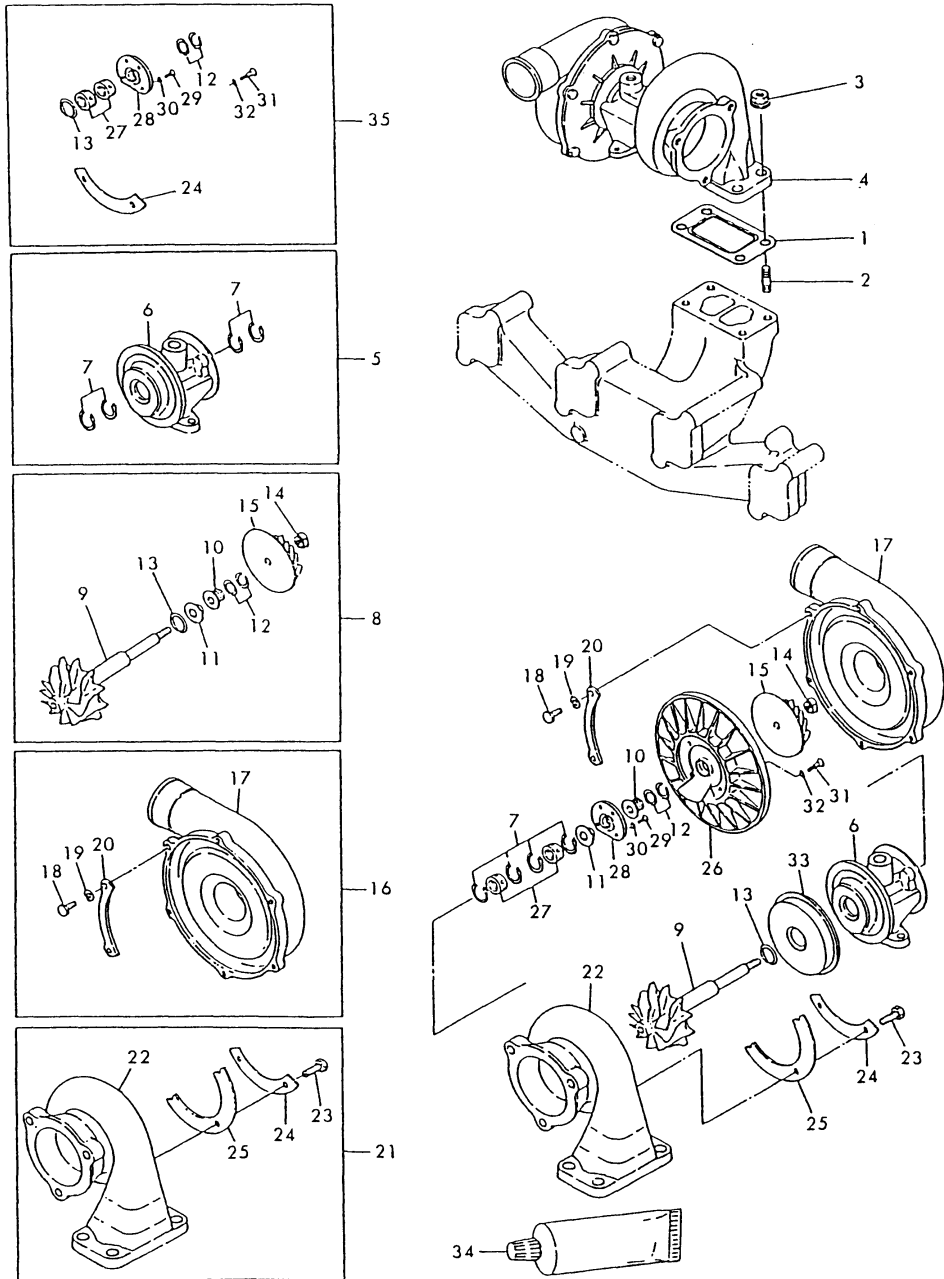


Fig.13. TURBO-CHARGER

021972-18100

(A)=3T95L-GN
(B)=4T95L-GN
(C)=4T95LT-GN

(D)=
(E)=
(F)=

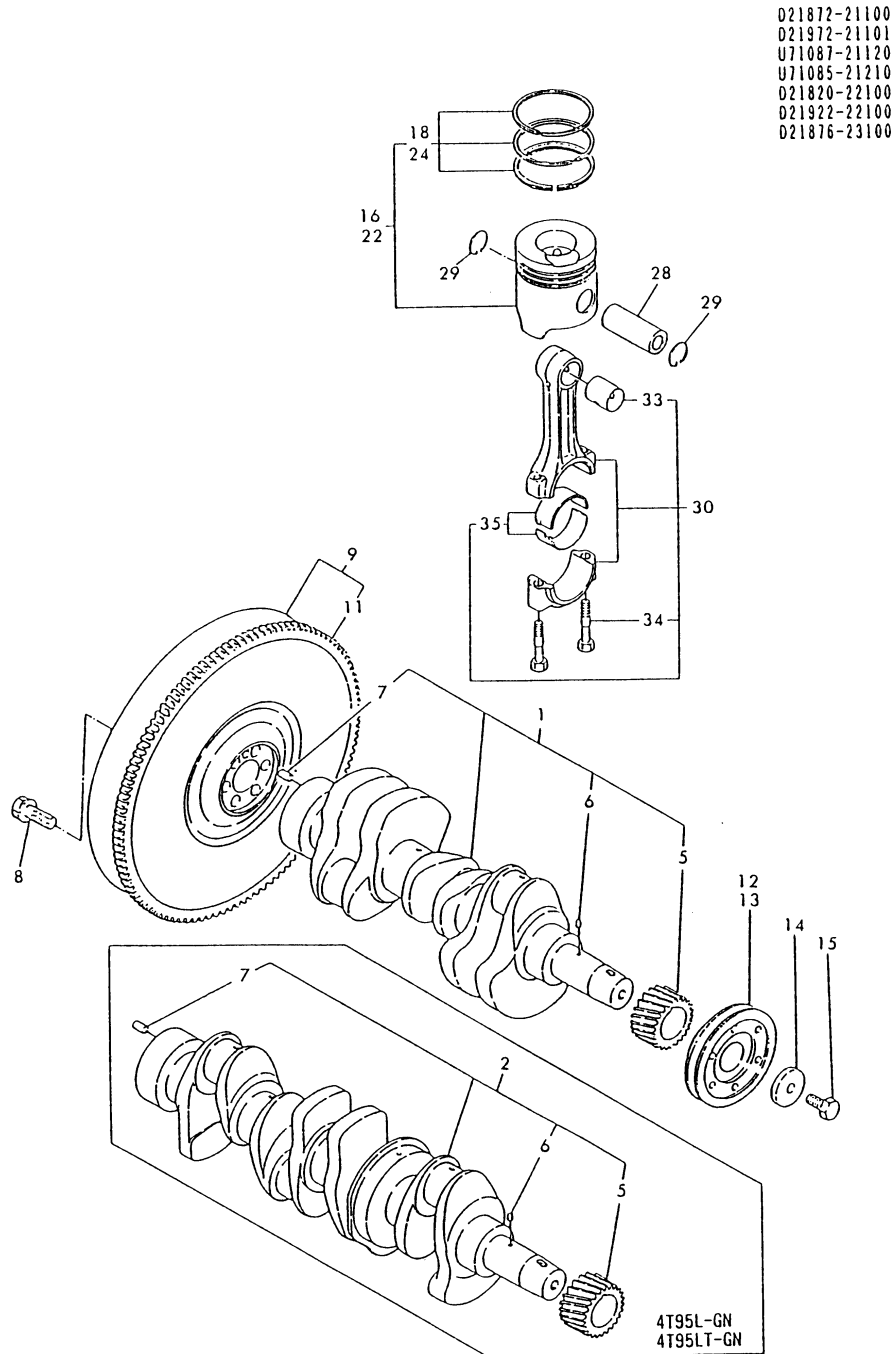


No.	Lev.	Parts No.	Description	Qty						I	R
				(A)	(B)	(C)	(D)	(E)	(F)		
1	1	121252-18090	GASKET			1					
2	1	26216-080222	STUD, M8X 22			4					
3	1	26366-080002	NUT, M8			4					
4	1	121972-18010	TURBINE, RHB6			1					
5	2	XN199801	HOUSING SET, BEARING			1					
6	3	XN193207	HOUSING, BEARING			1					
7	3	XN977003	RING, RETAINING			4					
8	2	XN199806	ROTOR PARTS SET			1					
9	3	XN191202	SHAFT, TURBINE			1					
10	3	XN191103	THROWER, OIL			1					
11	3	XN971005	BUSH, THRUST			1					
12	3	XN971008	RING, SEAL (C-SIDE)			2					
13	3	XN971007	RING, SEAL (T-SIDE)			1					
14	3	XN191109	NUT 6			1					
15	3	XN195102	INPELLER, BLOWER			1					
16	2	XN194100	HOUSING SET			1					
17	3	XN194102	HOUSING			1					
18	3	XN194003	BOLT M 5			6					
19	3	XN817511	WASHER			6					
20	3	XN974003	PLATE, LOCKING			3					
21	2	XN196600	CASING SET, TURBINE			1					
22	3	XN196602	CASING, TURBINE			1					
23	3	XN196103	BOLT M 6			4					
24	3	XN193206	PLATE, LOCKING			2					
25	3	XN193205	PLATE, LOCKING			2					
26	2	XN973002	PLATE, SEAL			1					
27	2	XN973503	BEARING, JOURNAL			2					
28	2	XN973502	BEARING, THRUST			1					
29	2	XN977006				4					
30	2	XN977007	WASHER M 3			4					
31	2	XN977008	SCREW 4			4					
32	2	XN947206	WASHER M 4			4					
33	2	XN193204	PROTECTOR, HEAT			1					
34	2	XN193653				1					
35	1	XN199800	OVERHAUL KIT			1					1

Fig.14. CRANKSHAFT & PISTON

(A)=3T95L-GN
(B)=4T95L-GN
(C)=4T95LT-GN

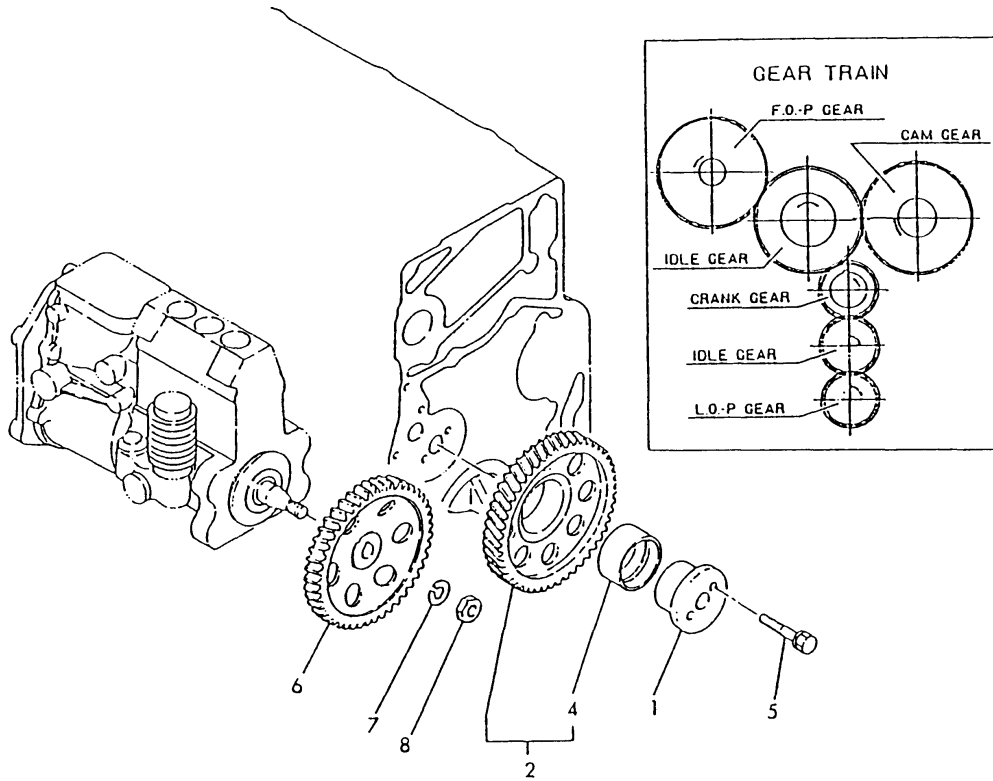
(D)=
(E)=
(F)=



No.	Lev.	Parts No.	Description	Qty						I	R
				(A)	(B)	(C)	(D)	(E)	(F)		
1	1	124311-21000	CRANKSHAFT ASSY	1							
2	1	721970-21700	CRANKSHAFT ASSY		1						
5	2	121850-21200	GEAR, CRANKSHAFT	1	1	1					
6	2	121850-21290	PIN	1	1	1					
7	2	121850-21920	PIN, M10X22	1	1	1					
8	1	121850-21130	BOLT, FLYWHEEL	6	6	6					
9	1	171090-21601	FLYWHEEL ASSY	1	1	1					
11	2	127410-21480	GEAR, RING Z=129	1	1	1					
12	1	121850-21650	V-PULLEY	1	1						
13	1	171087-21650	V-PULLEY							1	
14	1	121850-21660	WASHER	1	1	1					
15	1	121850-21680	BOLT	1	1	1					
16	1	121820-22090	PISTON ASSY	3	4						
18	2	721850-22500	RING SET, PISTON	3	4						
22	1	121922-22090	PISTON ASSY							4	
24	2	721952-22500	RING SET, PISTON							4	
28	1	121850-22300	PIN, PISTON	3	4	4					
29	1	101400-22400	CIRCLIP	6	8	8					
30	1	721850-23100	ROD ASSY, CONNECTING	3	4	4					
33	2	121850-23110	BEARING, PISTON PIN	3	4	4					1
34	2	121850-23200	BOLT, CONNECTING ROD	6	8	8					
35	2	724610-23600	BEARING, CRANK PIN	3	4	4					

Fig.15. IDLE GEAR

021850-25100
021952-25200



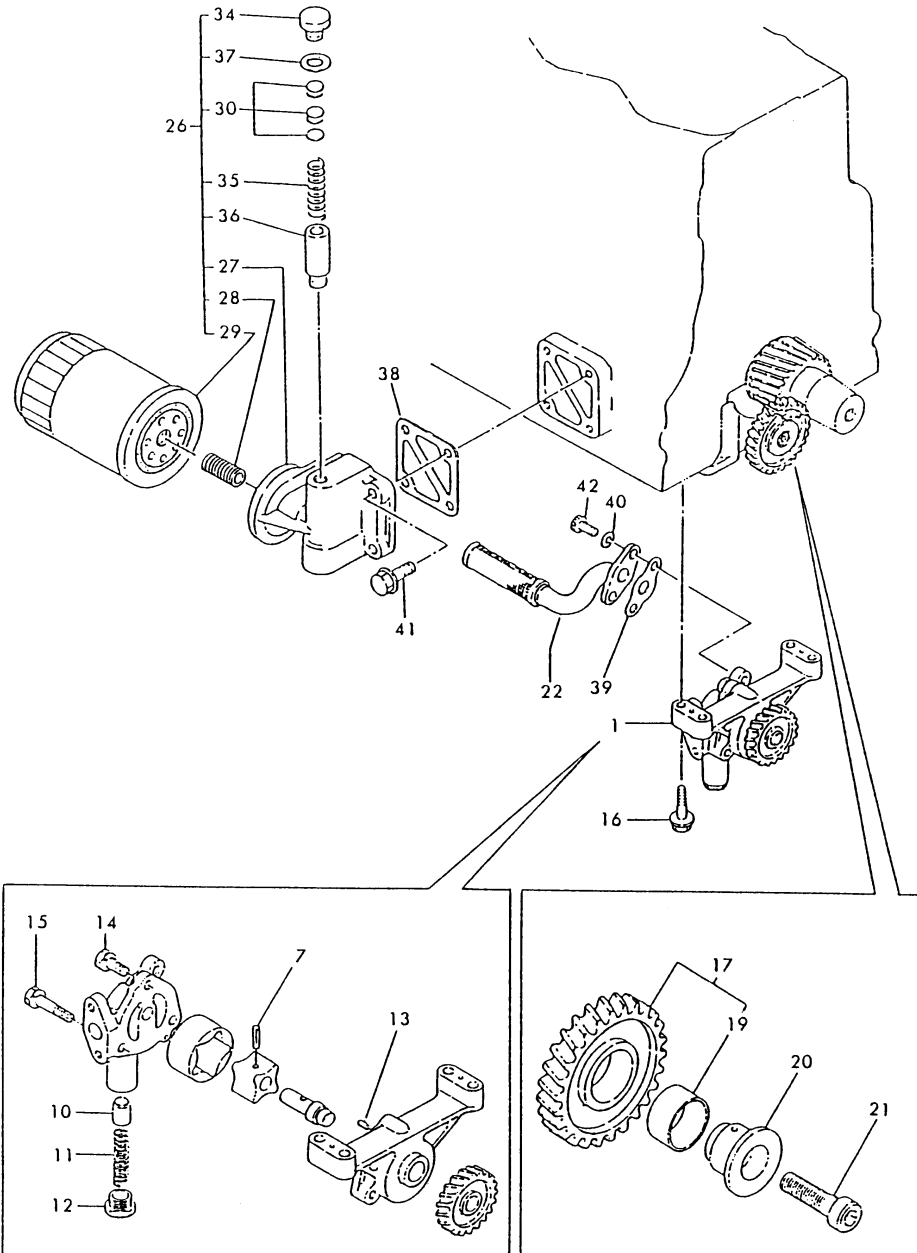
(A)=3T95L-GN
(B)=4T95L-GN
(C)=4T95LT-GN

(D)=
(E)=
(F)=

No.	Lev.	Parts No.	Description	Q'ty						I	R
				(A)	(B)	(C)	(D)	(E)	(F)		
1	1	121850-25050	SHAFT, IDLE	1	1	1					
2	1	121850-25100	GEAR ASSY, IDLE	1	1	1					
4	2	121850-25060	BUSH	1	1	1					
5	1	26013-080452	BOLT, M8X 45	2	2	2					
6	1	121952-25900	GEAR, PUMP	1	1	1					
7	1	22217-120000	WASHER, SPRING 12	1	1	1					
8	1	26716-120002	NUT, M12	1	1	1					

Fig.16. LUB. OIL SYSTEM

021850-32100
021850-35100
021850-32200



(A)=3T95L-GN
(B)=4T95L-GN
(C)=4T95LT-GN

(D)=
(E)=
(F)=

No.	Lev.	Parts No.	Description	Q'ty						I	R
				(A)	(B)	(C)	(D)	(E)	(F)		
1	1	121850-32000	PUMP ASSY, OIL	1	1	1					
7	3	121850-32170	PIN	1	1	1					
10	2	121850-32310	VALVE, RELIEF	1	1	1					
11	2	121850-32321	SPRING	1	1	1					
12	2	121850-32330	PLUG	1	1	1					
13	2	22312-040080	PIN, PARALLEL M4X 8	2	2	2					
14	2	26013-080202	BOLT, M8X 20	2	2	2					
15	2	26013-080402	BOLT, M8X 40	1	1	1					
16	1	26106-080302	BOLT, M8X 30 PLATED	4	4	4					
17	1	121850-32500	GEAR ASSY, IDLE	1	1	1					
19	2	121850-32520	BUSH	1	1	1					
20	1	121850-32530	SHAFT, IDLE	1	1	1					
21	1	26450-100352	BOLT, M10X 35	1	1	1					
22	1	121850-35010	PIPE ASSY, OIL INLET	1	1	1					
26	1	121850-35101	FILTER ASSY, OIL	1	1	1					
27	2	121850-35111	BRACKET, FILTER	1	1	1					
28	2	121850-35140	BRACKET	1	1	1					
29	2	121850-35150	FILTER, D95X140	1	1	1					
30	2	121850-35200	SHIM SET	1	1	1					
34	2	124223-35510	RETAINER, SPRING	1	1	1					
35	2	121850-35520	SPRING	1	1	1					
36	2	121850-35531	VALVE, CONTROL	1	1	1					
37	2	23414-180000	GASKET, 18X1.0	1	1	1					
38	1	121850-35120	GASKET	1	1	1					
39	1	121850-39120	GASKET	1	1	1					
40	1	22217-080000	WASHER, SPRING 8	2	2	2					
41	1	26106-100282	BOLT, M10X 28 PLATED	4	4	4					
42	1	26450-080182	BOLT, M8X 18	2	2	2					

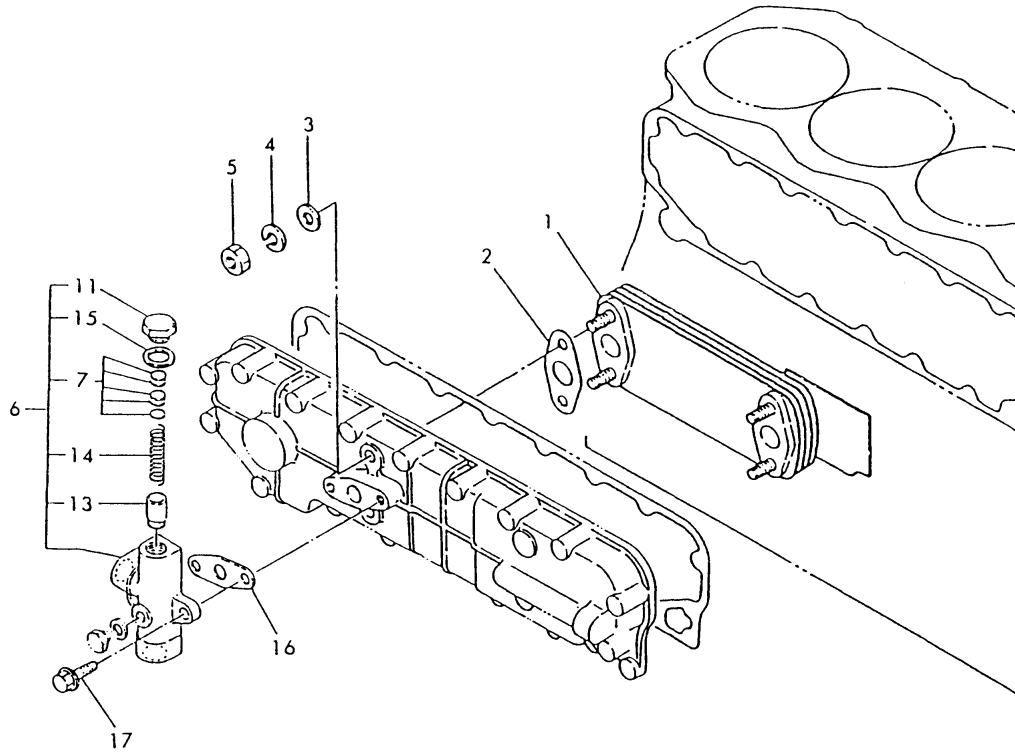
Fig.17. LUB. OIL COOLER

(A)=3T95L-GN
(B)=4T95L-GN
(C)=4T95LT-GN

(D)=
(E)=
(F)=

021952-33101
021952-39200

4T95L-GN
4T95LT-GN



No.	Lev.	Parts No.	Description	Q'ty						I	R	
				(A)	(B)	(C)	(D)	(E)	(F)			
1	1	121952-33031	COOLER, OIL		1	1						
2	1	121952-33071	GASKET, COOLER		2	2						
3	1	22117-100000	WASHER, 10		4	4						
4	1	22217-100000	WASHER, SPRING 10		4	4						
5	1	26606-100002	NUT, M10		4	4						
6	1	121952-39800	VALVE ASSY, BYPASS		1	1						
7	2	121850-35200	SHIM SET		2	2						
11	2	124223-35510	RETAINER, SPRING		1	1						
13	2	121952-39820	VALVE		1	1						
14	2	121952-39830	SPRING		1	1						
15	2	23414-180000	GASKET, 18X1.0		1	1						
16	1	121952-39850	GASKET		1	1						
17	1	26106-080252	BOLT, M8X 25 PLATED		2	2						

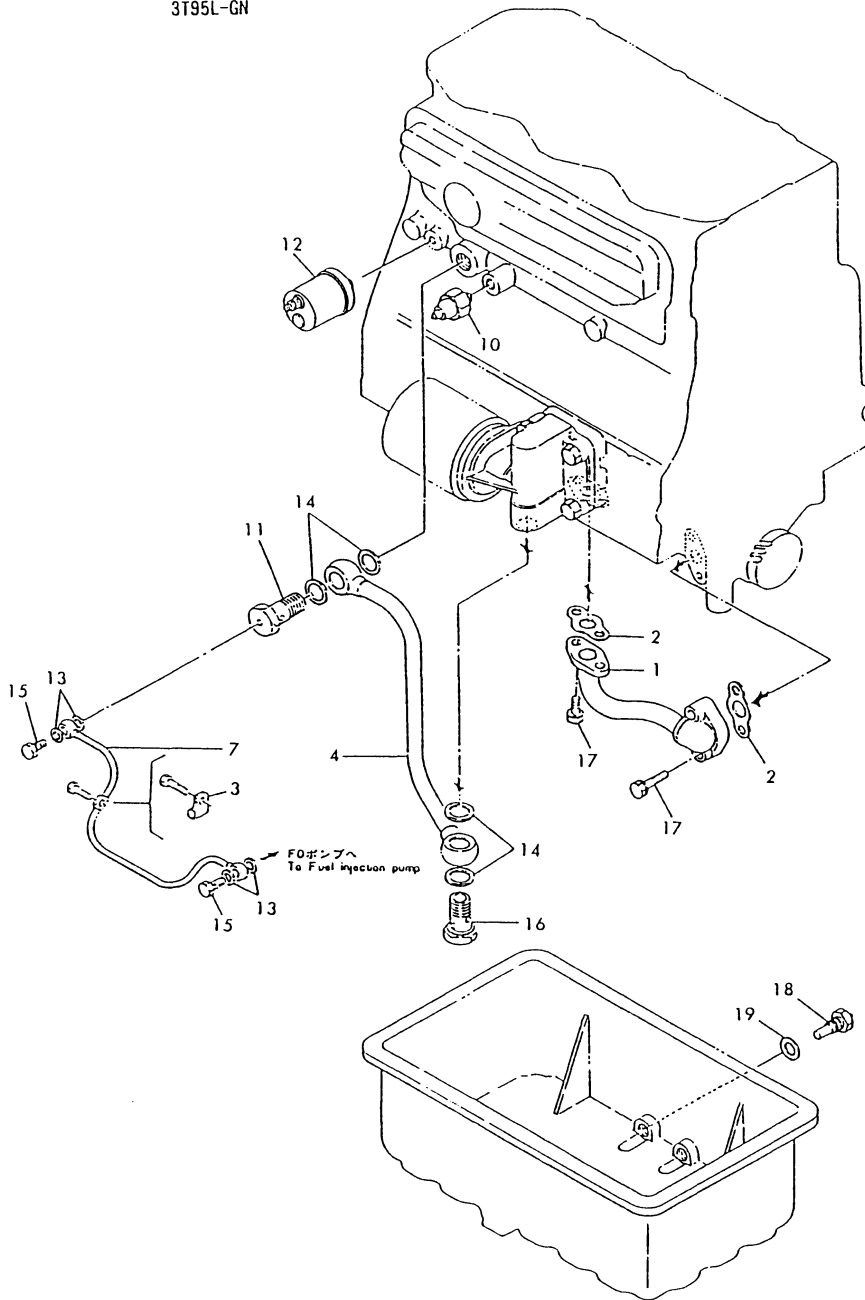
Fig.18. LUB. OIL PIPES

(A)=3T95L-GN
(B)=4T95L-GN
(C)=4T95LT-GN

(D)=
(E)=
(F)=

021870-39100

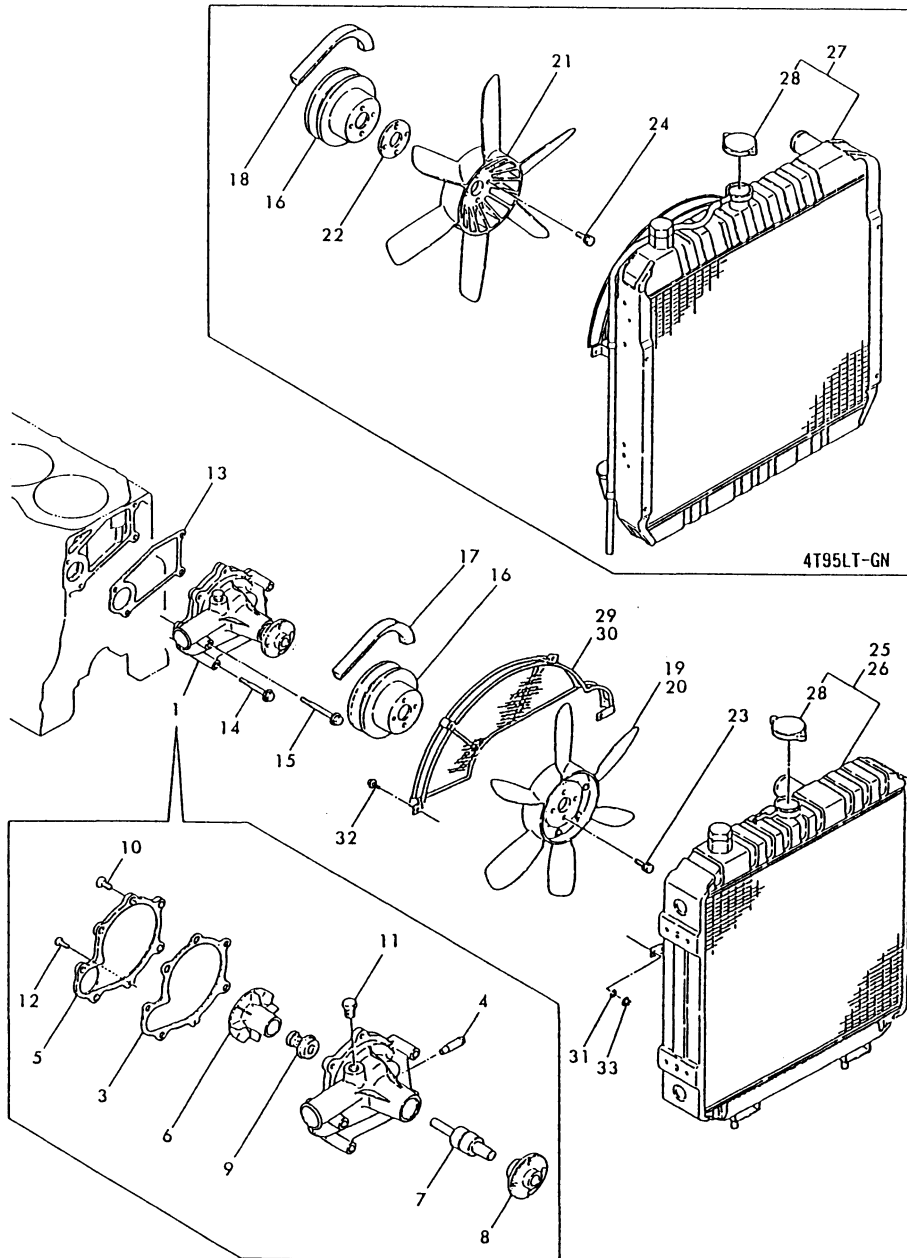
3T95L-GN



No.	Lev.	Parts No.	Description	Q'ty						I	R
				(A)	(B)	(C)	(D)	(E)	(F)		
1	1	121850-39102	PIPE, OIL	1							
2	1	121850-39120	GASKET	2							
3	1	105582-39150	RETAINER	1							
4	1	121850-39200	PIPE ASSY, OIL	1							
7	1	121850-39300	PIPE ASSY, OIL	1							
10	1	121250-39450	SWITCH, 1.0KG	1							
11	1	121850-39900	BOLT, M15	1							
12	1	144626-91560	SENSOR	1							
13	1	23414-080000	GASKET, 8X1.0	4							
14	1	23414-200000	GASKET, 20X1.0	4							
15	1	23857-030000	BOLT, JOINT 3	2							
16	1	23857-150000	BOLT, JOINT 15	1							
17	1	26013-080182	BOLT, M8X 18	4							
18	1	121470-44900	SENSOR	1							
19	1	23414-160021	GASKET, 16X1.0	1							

Fig.20. COOLING WATER SYSTEM

021970-42100 U71087-42200
 021872-42200 U71090-93140
 021970-42200 U71092-93140
 U71093-93120



(A)=3T95L-GN
 (B)=4T95L-GN
 (C)=4T95LT-GN

(D)=
 (E)=
 (F)=

No.	Lev.	Parts No.	Description	Q'ty						I	R
				(A)	(B)	(C)	(D)	(E)	(F)		
1	1	121970-42000	PUMP ASSY, WATER	1	1	1					
3	2	121970-42050	GASKET	1	1	1					
4	2	129795-42100	JOINT	1	1	1					
5	2	121970-42120	PLATE	1	1	1					
6	2	121970-42200	IMPELLER	1	1	1					
7	2	121850-42240	BEARING, SHAFT	1	1	1					
8	2	121850-42260	FLANGE, V-PULLEY	1	1	1					
9	2	121450-42310	SEAL, MECHANICAL	1	1	1					
10	2	121850-42410	SCREW	2	2	2					
11	2	121850-42430	PLUG	1	1	1					
12	2	121970-42440	SCREW	1	1	1					
13	1	121970-42020	GASKET, WATER PUMP	1	1	1					
14	1	26106-080652	BOLT, M8X 65 PLATED	3	3	3					
15	1	26106-080752	BOLT, M8X 75 PLATED	1	1	1					
16	1	121850-42250	V-PULLEY	1	1	1					
17	1	121970-42280	V-BELT, A43	1	1						
18	1	171087-42280	V-BELT, A44			1					
19	1	121872-44740	FAN, COOLING	1							
20	1	121970-44740	FAN, COOLING		1						
21	1	121972-44740	FAN, COOLING			1					
22	1	121972-44750	SPACER, FAN			1					
23	1	26013-080202	BOLT, M8X 20	4	4						
24	1	26013-080252	BOLT, M8X 25			4					
25	1	171090-44501	RADIATOR	1							
26	1	171092-44501	RADIATOR		1						
27	1	171093-44500	RADIATOR			1					
28	2	124450-44590	CAP, RADIATOR	1	1	1					
29	1	171090-44760	PROTECTOR, FAN	1							
30	1	171092-44760	PROTECTOR, FAN		1						
31	1	22217-060000	WASHER, SPRING 6	4	4						
32	1	26106-060122	BOLT, M6X 12 PLATED	4	4						
33	1	26366-060002	NUT, M6	4	4						

Fig.21. TENSION BELT

021970-42300

(A)=3T95L-GN
(B)=4T95L-GN
(C)=4T95LT-GN

(D)=
(E)=
(F)=

No.	Lev.	Parts No.	Description	Q'ty						I	R
				(A)	(B)	(C)	(D)	(E)	(F)		
1	1	121970-42900	BRACKET	1	1	1					
2	1	171011-44301	PULLEY, TENSION	1	1	1					
3	1	171011-44310	LEVER, PULLEY	1	1	1					
4	1	121521-77330	ADJUSTER	1	1	1					
5	1	26013-080182	BOLT, M8X 18	1	1	1					
6	1	26013-080222	BOLT, M8X 22	2	2	2					
7	1	26106-080252	BOLT, M8X 25 PLATED	1	1	1					
8	1	26366-080002	NUT, M8	1	1	1					
9	1	26706-100002	NUT, M10	1	1	1					

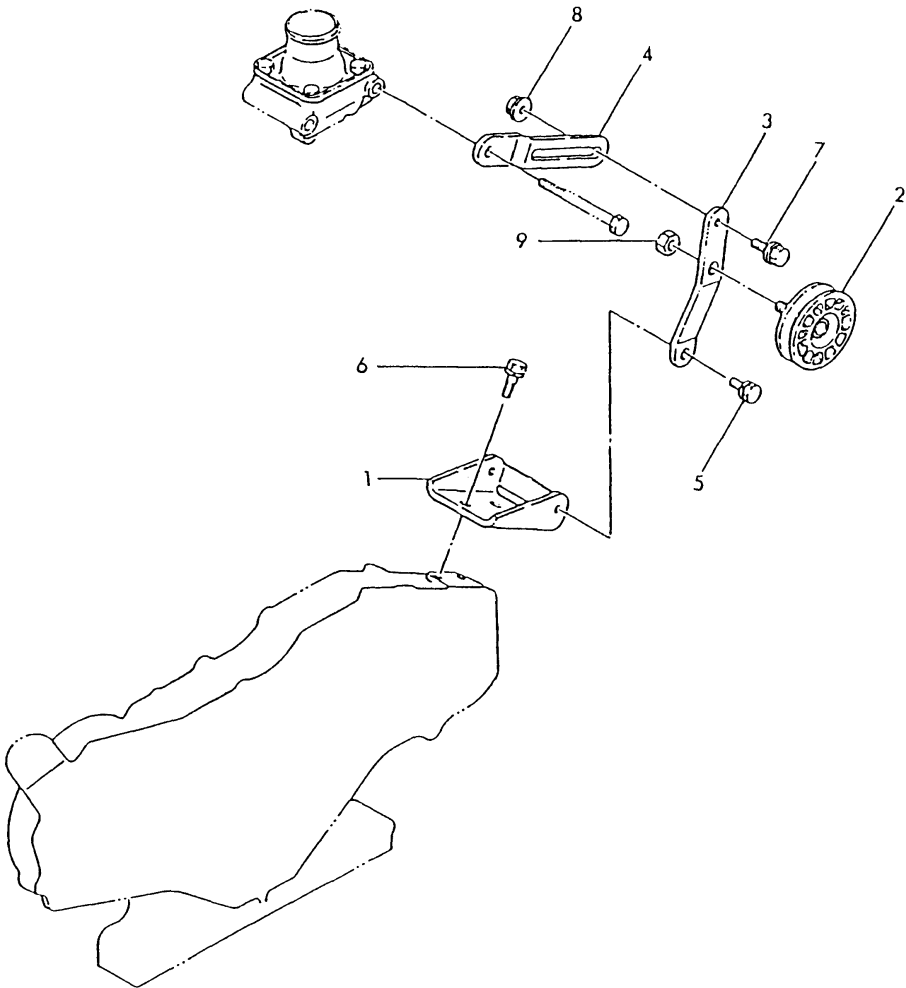
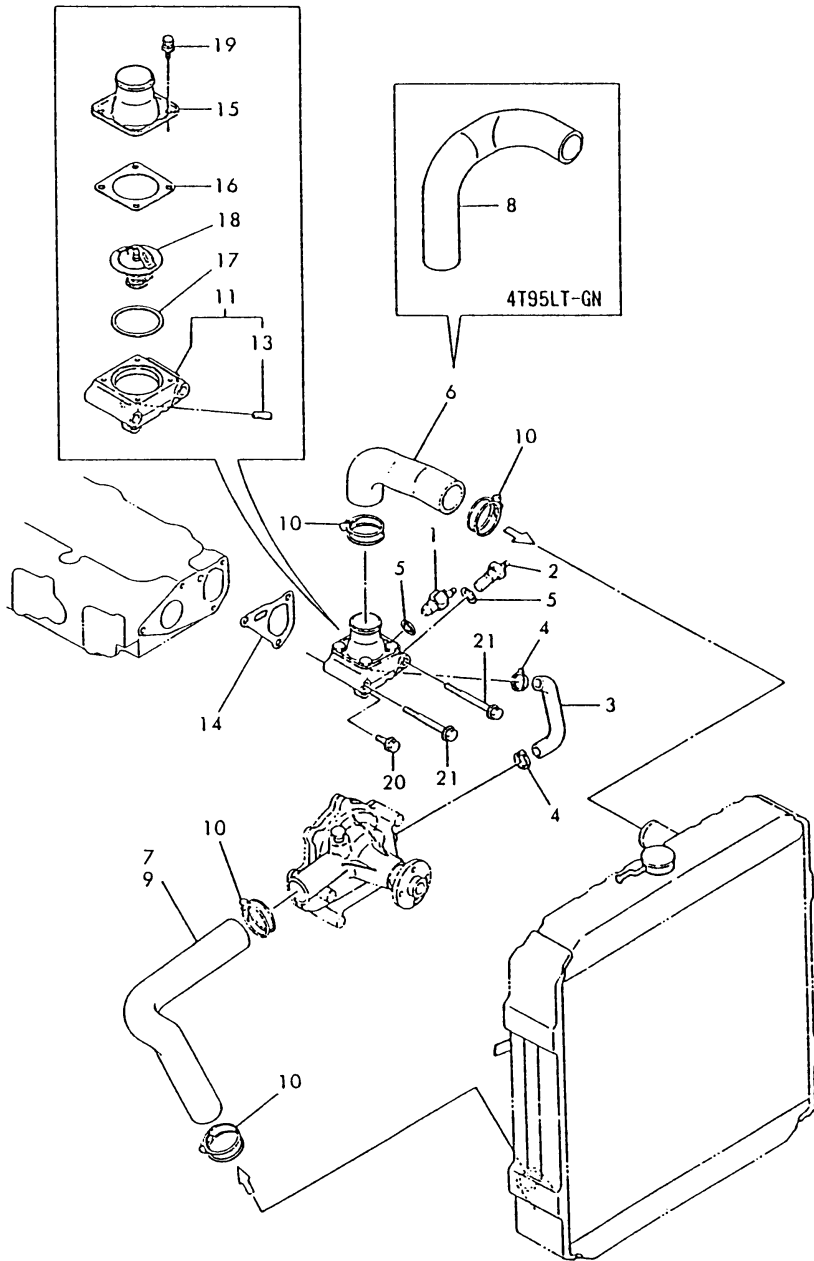


Fig.22. COOLING WATER PIPES

U71090-49110
U71090-49200



(A)=3T95L-GN
(B)=4T95L-GN
(C)=4T95LT-GN

(D)=
(E)=
(F)=

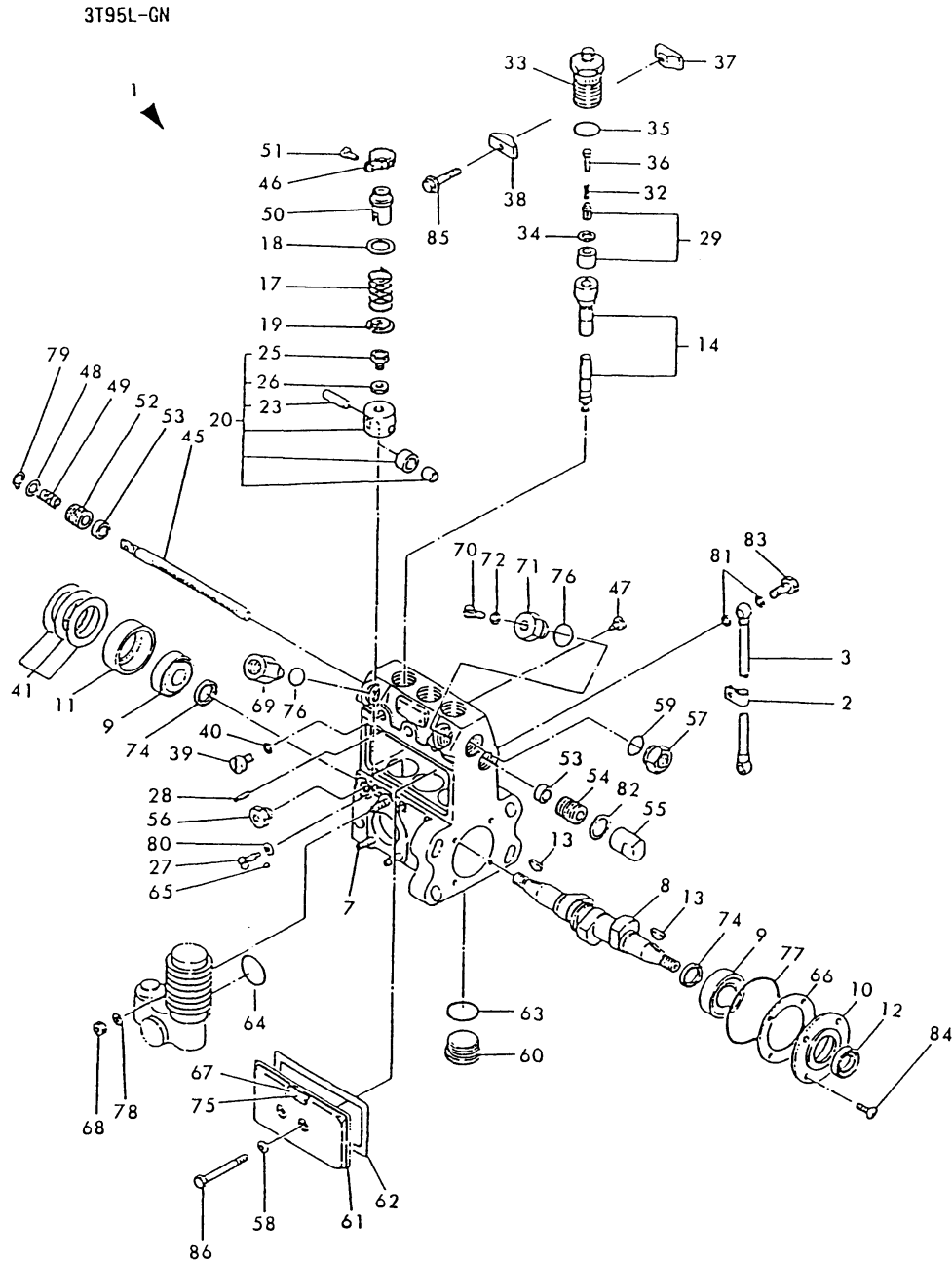
No.	Lev.	Parts No.	Description	Qty						I	R
				(A)	(B)	(C)	(D)	(E)	(F)		
1	1	121250-44901	SWITCH, 110	1	1	1					
2	1	121470-44900	SENSOR	1	1	1					
3	1	121970-49030	PIPE, WATER	1	1	1					
4	1	23000-022000	CLAMP, 22	2	2	2					
5	1	23414-160021	GASKET, 16X1.0	2	2	2					
6	1	121970-49010	PIPE, WATER	1	1						
7	1	121970-49020	PIPE, WATER	1	1						
8	1	121972-49010	PIPE, WATER						1		
9	1	121972-49020	PIPE, WATER						1		
10	1	23010-050000	CLAMP, 50	4	4	4					
11	1	121970-49501	CASE ASSY,THERMOSTAT	1	1	1					
13	2	121970-49530	JOINT	1	1	1					
14	1	121970-49520	GASKET	1	1	1					
15	1	121850-49530	COVER, THERMOSTAT	1	1	1					
16	1	121850-49540	GASKET, THERMOSTAT	1	1	1					
17	1	121850-49550	GASKET, THERMOSTAT	1	1	1					
18	1	126630-48170	THERMOSTAT, 71-85	1	1	1					
19	1	26014-060142	BOLT, M6X 14	4	4	4					
20	1	26106-080252	BOLT, M8X 25 PLATED	1	1	1					
21	1	26106-080802	BOLT, M8X 80 PLATED	2	2	2					

Fig.23. FUEL INJECTION PUMP

(A)=3T95L-GN
(B)=4T95L-GN
(C)=4T95LT-GN

(D)=
(E)=
(F)=

021872-51100



No.	Lev.	Parts No.	Description	Q'ty						I	R
				(A)	(B)	(C)	(D)	(E)	(F)		
1	1	721857-51300	PUMP ASSY, INJECTION	1							
2	2	105582-39150	RETAINER	1							
3	2	121850-39300	PIPE ASSY, OIL	1							
7	2	26216-060162	STUD, M6X 16	3							
8	2	121850-51030	CAMSHAFT	1							
9	2	122710-51050	BEARING, HR30203J	2							
10	2	121850-51060	RETAINER, BEARING A	1							
11	2	121850-51070	RETAINER, SPRING B	1							
12	2	122710-51080	SEAL, AC0735-E00X9	1							
13	2	122710-51090	KEY	2							
14	2	121972-51100	PLUNGER ASSY	3							
17	2	122710-51160	SPRING, PLUNGER	3							
18	2	122710-51170	RETAINER, SPRING	3							
19	2	122710-51180	RETAINER, SPRING	3							
20	2	122710-51200	TAPPET ASSY	3							
23	3	122710-51230	PIN, ROLLER	3							
25	3	122710-51250	BOLT, ADJUSTING	3							
26	3	122710-51260	NUT, LOCK	3							
27	2	122710-51270	STOPPER	3							
28	2	122710-51280	PIN	3							
29	2	121952-51300	VALVE ASSY, DELIVERY	3							
32	2	121952-51330	SPRING, DELIVERY	3							
33	2	121952-51340	RETAINER	3							
34	2	124410-51350	GASKET, DELIVERY	3							
35	2	122710-51360	O-RING	3							
36	2	121952-51370	STOPPER, VALVE	3							
37	2	121850-51380	STOPPER	2							
38	2	121850-51390	STOPPER	2							
39	2	122710-51400	SCREW	3							
40	2	122710-51410	GASKET	3							
41	2	121850-51450	SHIM SET, ADJUSTING	1							
45	2	121850-51500	RACK, CONTROL	1							
46	2	122710-51510	PINION, CONTROL	3							
47	2	122710-51520	STOOPER, RACK	1							
48	2	121850-51530	SPACER	1							
49	2	122710-51540	SPRING, RACK	1							
50	2	122710-51550	SLEEVE, PINION	3							
51	2	122117-51560	SCREW	3							
52	2	122710-51571	SCREW	1							
53	2	122710-51580	BUSH, RACK	2							
54	2	122710-51590	SCREW	1							
55	2	121850-51600	NUT, CAP	1							
56	2	121850-51700	BUSH	1							
57	2	122710-51701	PLUG	1							
58	2	144626-51700	WASHER, SEAL	2							
59	2	122710-51721	O-RING, 2017	1							
60	2	124410-51730	PLUG	3							
61	2	121850-51751	COVER	1							
62	2	121850-51761	GASKET	1							
63	2	122710-51790	O-RING	3							
64	2	122710-51870	O-RING, S32	1							

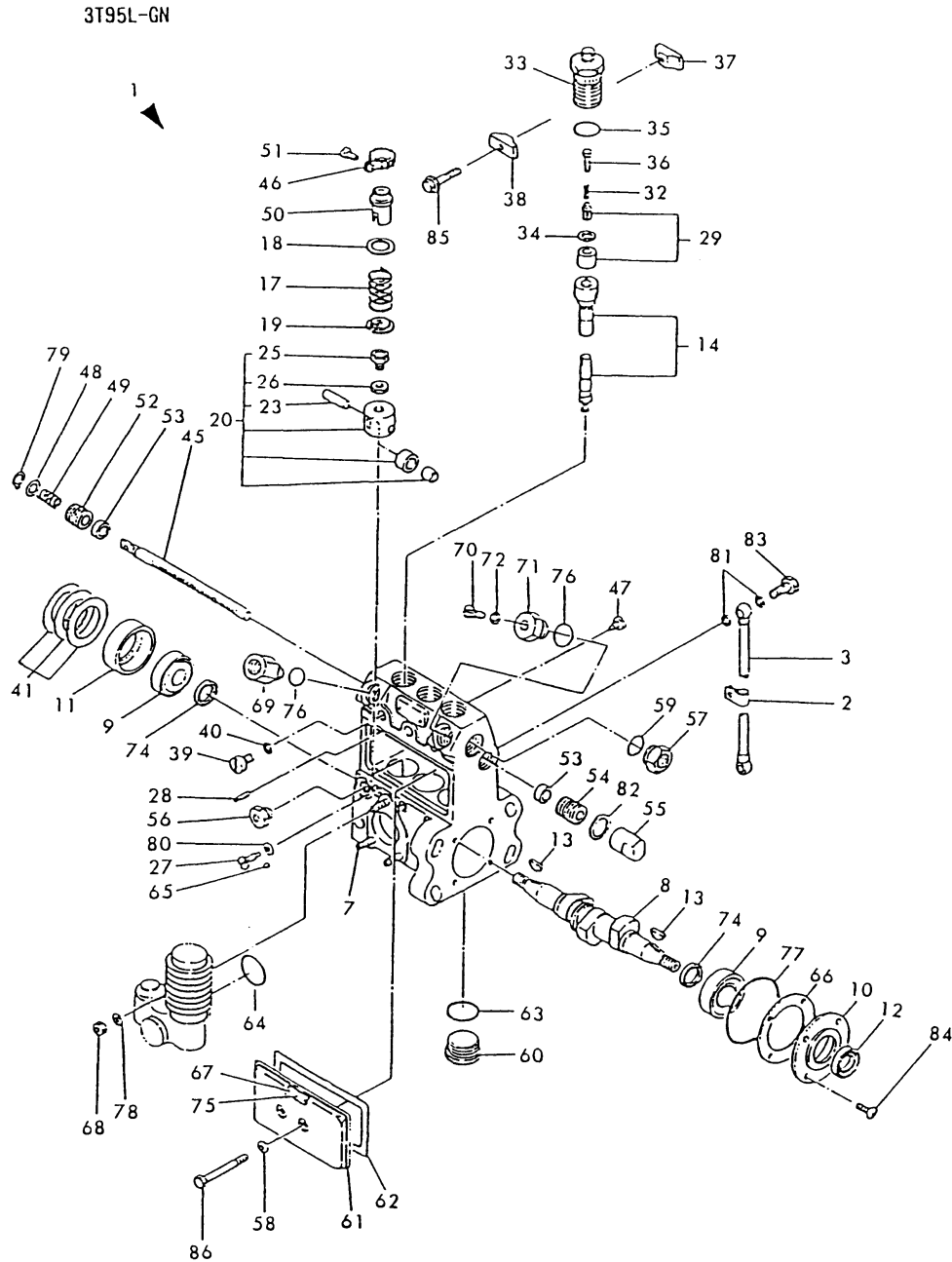
N:Old $\xrightarrow{\text{Yes}}$ New, Q:Old $\xrightarrow{\text{No}}$ New, R:Old $\xrightarrow{\text{Yes}}$ New, S:Old $\xrightarrow{\text{No}}$ New, W:Add, Z:Discontinued, F:Interchangeable by set, K:Q'ty Change
 ++ CONTINUE ++
 Copyright (C) YANMAR CO., LTD. All Rights Reserved.

Fig.23. FUEL INJECTION PUMP

(A)=3T95L-GN
(B)=4T95L-GN
(C)=4T95LT-GN

(D)=
(E)=
(F)=

021872-51100



No.	Lev.	Parts No.	Description	Q'ty						I	R
				(A)	(B)	(C)	(D)	(E)	(F)		
65	2	122710-51880	STOPPER	3							
66	2	122710-51890	GASKET	1							
67	2	124220-51890	RIVET	2							
68	2	26716-060002	NUT, M6	3							
69	2	121850-51900	JOINT, OVER FLOW	1							
70	2	122780-51900	BOLT	1							
71	2	121950-51910	PLUG	1							
72	2	180110-51910	GASKET, PLUG	1							
74	2	122710-51920	SPACER	2							
75	2	121850-51930	PLATE	1							
76	2	144626-51950	O-RING, 1016	2							
77	2	121850-51960	O-RING	1							
78	2	22217-060000	WASHER, SPRING 6	3							
79	2	22242-000110	RING, 11	1							
80	2	23414-060000	GASKET, 6X1.0	3							
81	2	23414-080000	GASKET, 8X1.0	2							
82	2	23414-180023	GASKET, 18X1.0	1							
83	2	23857-030000	BOLT, JOINT 3	1							
84	2	26022-060162	SCREW, M6X16	4							
85	2	26106-060352	BOLT, M6X 35 PLATED	2							
86	2	26116-060559	BOLT, M6X 55 PLATED	2							

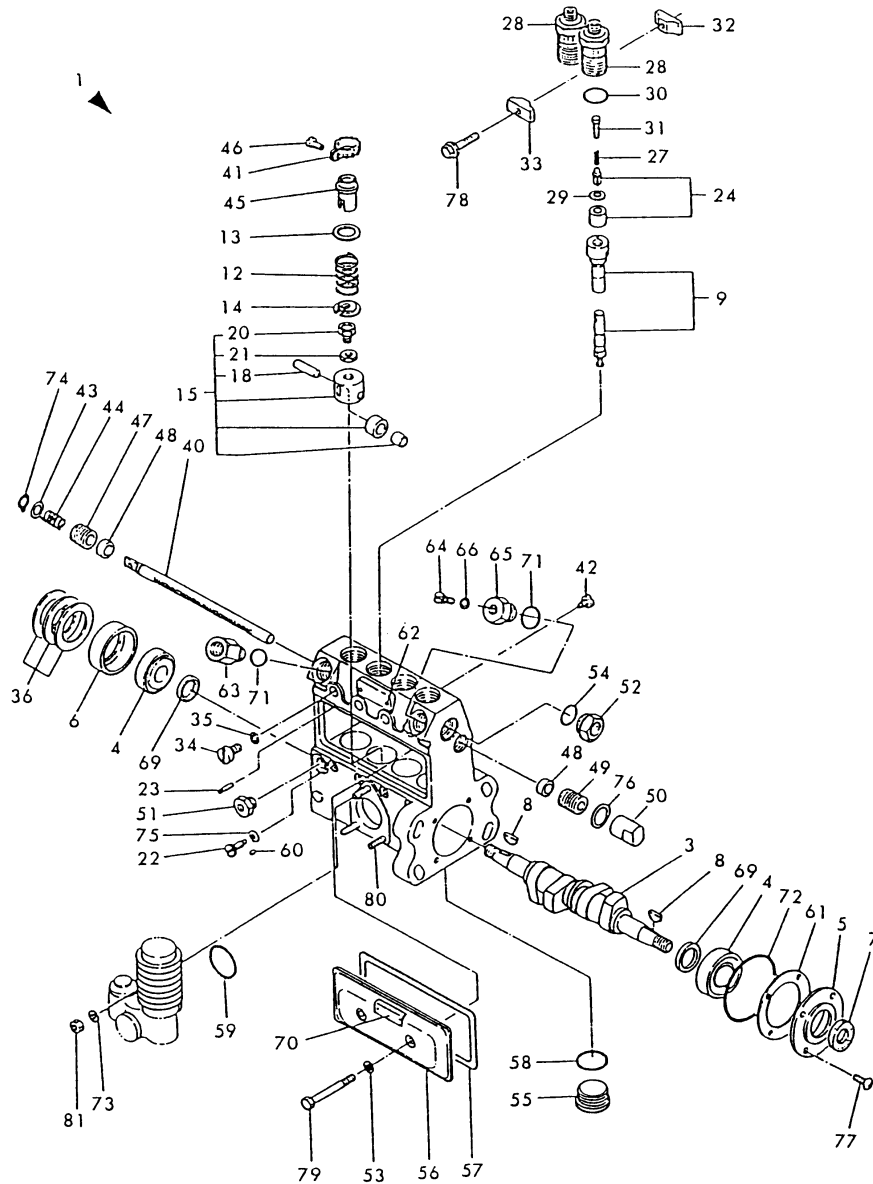
Fig.24. FUEL INJECTION PUMP

(A)=3T95L-GN
(B)=4T95L-GN
(C)=4T95LT-GN

(D)=
(E)=
(F)=

021970-51200
021972-51100

4T95L-GN
4T95LT-GN



No.	Lev.	Parts No.	Description	Qty						I	R
				(A)	(B)	(C)	(D)	(E)	(F)		
1	1	721972-51300	PUMP ASSY, INJECTION	1	1						
3	2	121950-51030	CAMSHAFT	1	1						
4	2	122710-51050	BEARING, HR30203J	2	2						
5	2	121850-51060	RETAINER, BEARING A	1	1						
6	2	121850-51070	RETAINER, SPRING B	1	1						
7	2	122710-51080	SEAL, AC0735-E00X9	1	1						
8	2	122710-51090	KEY	2	2						
9	2	121972-51100	PLUNGER ASSY	4	4						
12	2	122710-51160	SPRING, PLUNGER	4	4						
13	2	122710-51170	RETAINER, SPRING	4	4						
14	2	122710-51180	RETAINER, SPRING	4	4						
15	2	122710-51200	TAPPET ASSY	4	4						
18	3	122710-51230	PIN, ROLLER	4	4						
20	3	122710-51250	BOLT, ADJUSTING	4	4						
21	3	122710-51260	NUT, LOCK	4	4						
22	2	122710-51270	STOPPER	4	4						
23	2	122710-51280	PIN	4	4						
24	2	121952-51300	VALVE ASSY, DELIVERY	4	4						
27	2	121952-51330	SPRING, DELIVERY	4	4						
28	2	121952-51340	RETAINER	4	4						
29	2	124410-51350	GASKET, DELIVERY	4	4						
30	2	122710-51360	O-RING	4	4						
31	2	121952-51370	STOPPER, VALVE	4	4						
32	2	121850-51380	STOPPER	2	2						
33	2	121850-51390	STOPPER	2	2						
34	2	122710-51400	SCREW	4	4						
35	2	122710-51410	GASKET	4	4						
36	2	121850-51450	SHIM SET, ADJUSTING	1	1						
40	2	121950-51500	RACK, CONTROL	1	1						
41	2	122710-51510	PINION, CONTROL	4	4						
42	2	122710-51520	STOOPER, RACK	1	1						
43	2	121850-51530	SPACER	1	1						
44	2	122710-51540	SPRING, RACK	1	1						
45	2	122710-51550	SLEEVE, PINION	4	4						
46	2	122117-51560	SCREW	4	4						
47	2	122710-51571	SCREW	1	1						
48	2	122710-51580	BUSH, RACK	2	2						
49	2	122710-51590	SCREW	1	1						
50	2	121850-51600	NUT, CAP	1	1						
51	2	121850-51700	BUSH	1	1						
52	2	122710-51701	PLUG	1	1						
53	2	144626-51700	WASHER, SEAL	2	2						
54	2	122710-51721	O-RING, 2017	1	1						
55	2	124410-51730	PLUG	4	4						
56	2	121950-51751	COVER	1	1						
57	2	121950-51761	GASKET	1	1						
58	2	122710-51790	O-RING	4	4						
59	2	122710-51870	O-RING, S32	1	1						
60	2	122710-51880	STOPPER	4	4						
61	2	122710-51890	GASKET	1	1						
62	2	124220-51890	RIVET	2	2						

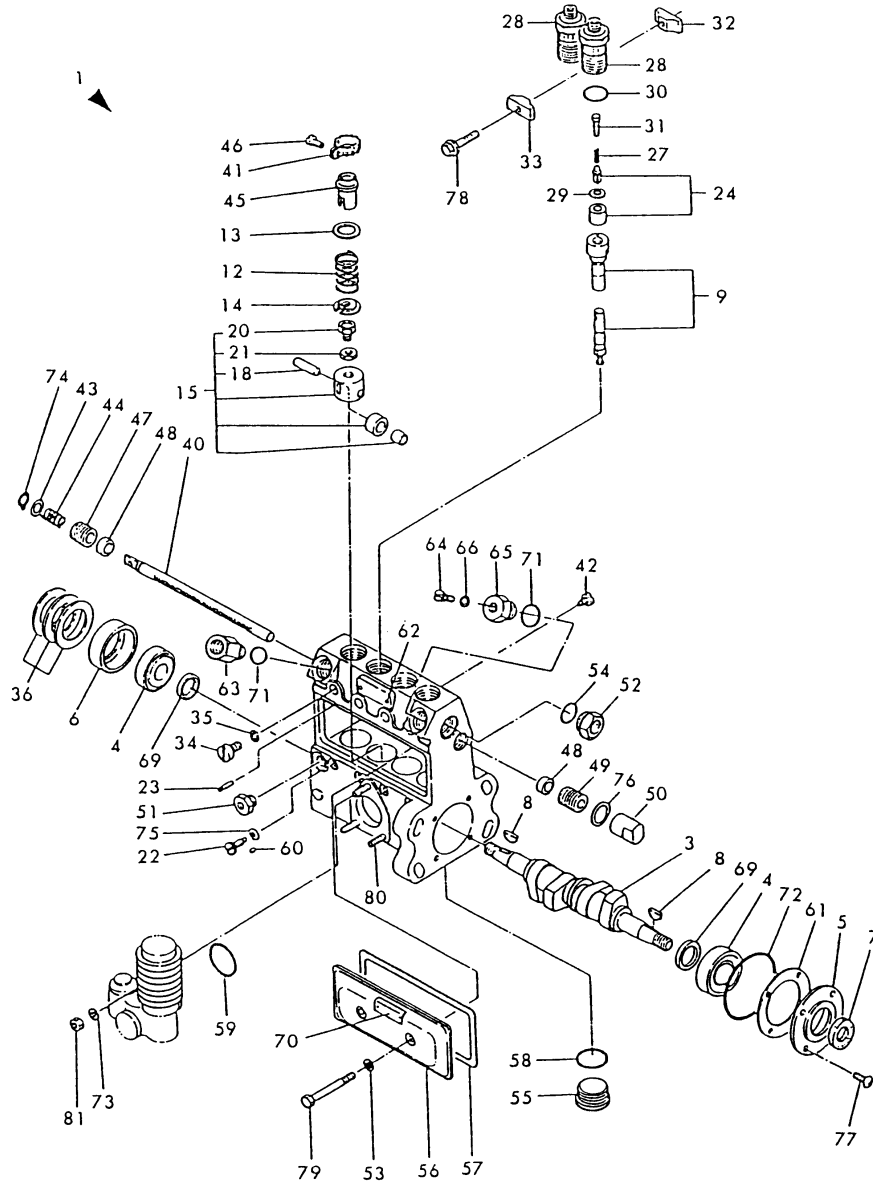
Fig.24. FUEL INJECTION PUMP

(A)=3T95L-GN
(B)=4T95L-GN
(C)=4T95LT-GN

(D)=
(E)=
(F)=

021970-51200
021972-51100

4T95L-GN
4T95LT-GN



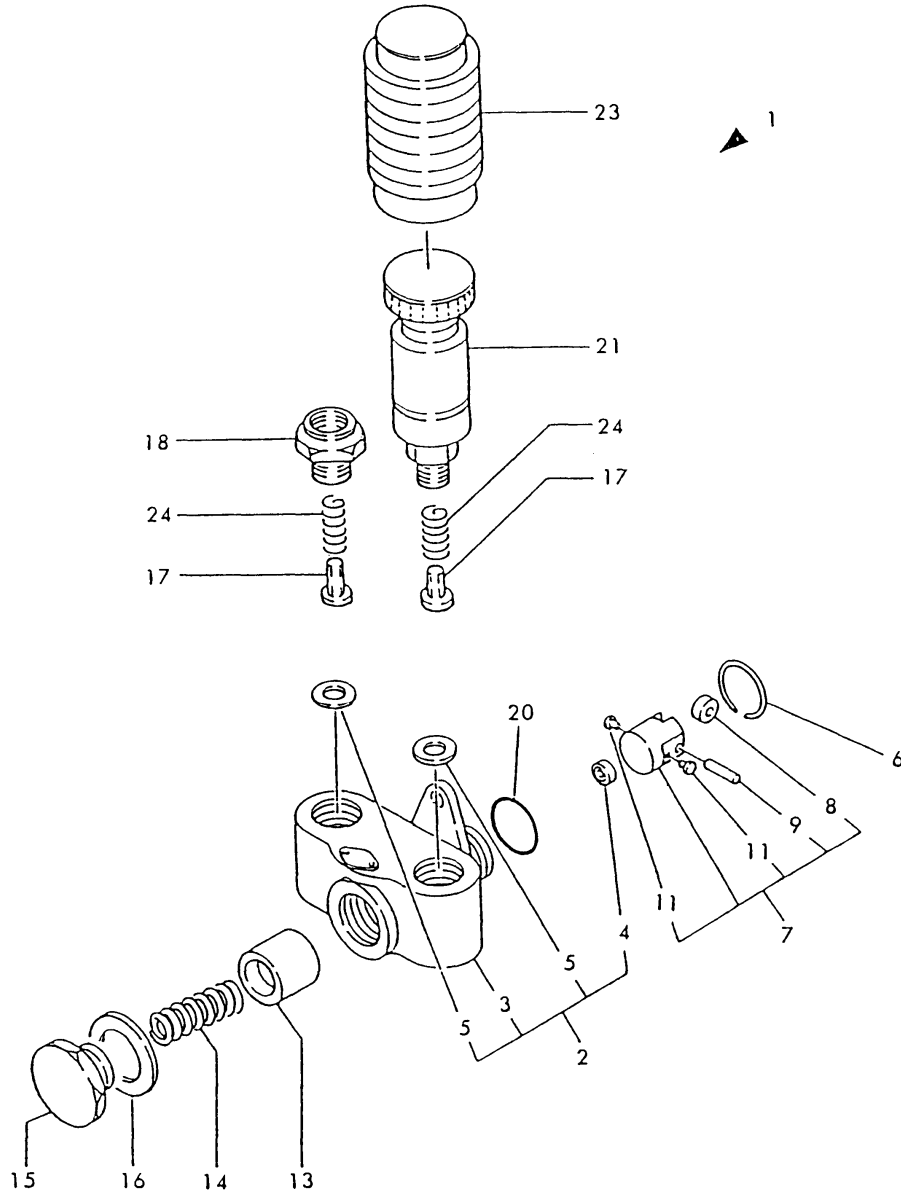
No.	Lev.	Parts No.	Description	Q'ty						I	R
				(A)	(B)	(C)	(D)	(E)	(F)		
63	2	121850-51900	JOINT, OVER FLOW		1	1					
64	2	122780-51900	BOLT		1	1					
65	2	121950-51910	PLUG		1	1					
66	2	180110-51910	GASKET, PLUG		1	1					
69	2	122710-51920	SPACER		2	2					
70	2	121850-51930	PLATE		1	1					
71	2	144626-51950	O-RING, 1016		2	2					
72	2	121850-51960	O-RING		1	1					
73	2	22217-060000	WASHER, SPRING 6		3	3					
74	2	22242-000110	RING, 11		1	1					
75	2	23414-060000	GASKET, 6X1.0		4	4					
76	2	23414-180023	GASKET, 18X1.0		1	1					
77	2	26022-060162	SCREW, M6X16		4	4					
78	2	26106-060352	BOLT, M6X 35 PLATED		2	2					
79	2	26116-060559	BOLT, M6X 55 PLATED		2	2					
80	2	26216-060162	STUD, M6X 16		3	3					
81	2	26716-060002	NUT, M6		3	3					

Fig.25. FUEL FEED PUMP

022110-52100

(A)=3T95L-GN
(B)=4T95L-GN
(C)=4T95LT-GN

(D)=
(E)=
(F)=



No.	Lev.	Parts No.	Description	Qty						I	R
				(A)	(B)	(C)	(D)	(E)	(F)		
1	1	123325-52010	PUMP ASSY, FUEL FEED	1	1	1					
2	2	121820-52020	BODY ASSY, PUMP	1	1	1					
3	3	121820-52030	BODY, FEED PUMP	1	1	1					
4	3	121820-52040	SEAL, OIL	1	1	1					
5	3	121820-52050	GASKET	2	2	2					
6	2	121820-52070	PIN	1	1	1					
7	2	121820-52100	GUIDE ASSY, ROLLER	1	1	1					
8	3	121820-52110	ROLLER	1	1	1					
9	3	121820-52120	PIN, ROLLER	1	1	1					
11	3	121820-52140	RETAINER	2	2	2					
13	2	121820-52170	PISTON	1	1	1					
14	2	121820-52180	SPRING, VALVE	1	1	1					
15	2	121820-52190	RETAINER, SPRING	1	1	1					
16	2	121820-52200	GASKET, 25	1	1	1					
17	2	121820-52210	VALVE	2	2	2					
18	2	121820-52230	RETAINER, SPRING	1	1	1					
20	2	122710-51870	O-RING, S32	1	1	1					
21	2	121820-52300	PUMP, PRIMING	1	1	1					
23	2	121820-52400	COVER	1	1	1					
24	2	121820-52510	SPRING, VALVE	2	2	2					

Fig.26. FUEL INJECTION VALVE

(A)=3T95L-GN
(B)=4T95L-GN
(C)=4T95LT-GN

(D)=
(E)=
(F)=

D21850-53100
D21952-53100

No.	Lev.	Parts No.	Description	Q'ty						I	R
				(A)	(B)	(C)	(D)	(E)	(F)		
1	1	721850-53100	VALVE ASSY,INJECTION	3	4						
2	1	721952-53100	VALVE ASSY,INJECTION				4				
3	2	121850-53000	VALVE ASSY,INJECTION	3	4						
4	2	121952-53000	VALVE ASSY,INJECTION				4				
9	2	126630-53080	NUT, NOZZLE L=48	3	4	4					
11	2	144626-53120	SPRING, NOZZLE	3	4	4					
12	2	144626-53181	HOLDER	3	4	4					
13	2	126630-53190	CAP, SPRING	3	4	4					
14	2	144626-53200	GASKET	3	4	4					
15	2	103200-53210	KNOCK, VALVE	6	8	8					
16	2	121850-53250	SPINDLE ASSY	3	4	4					
19	2	144626-53301	RETAINER, SPRING	3	4	4					
20	2	127610-53330	JOINT	3	4	4					

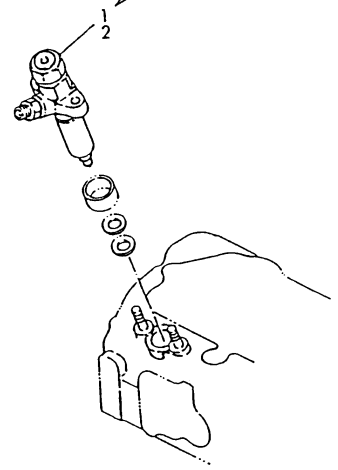
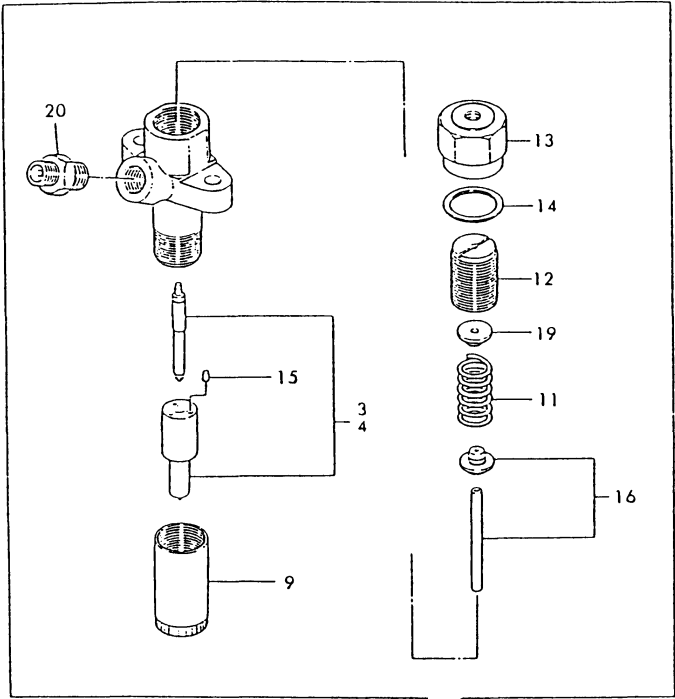
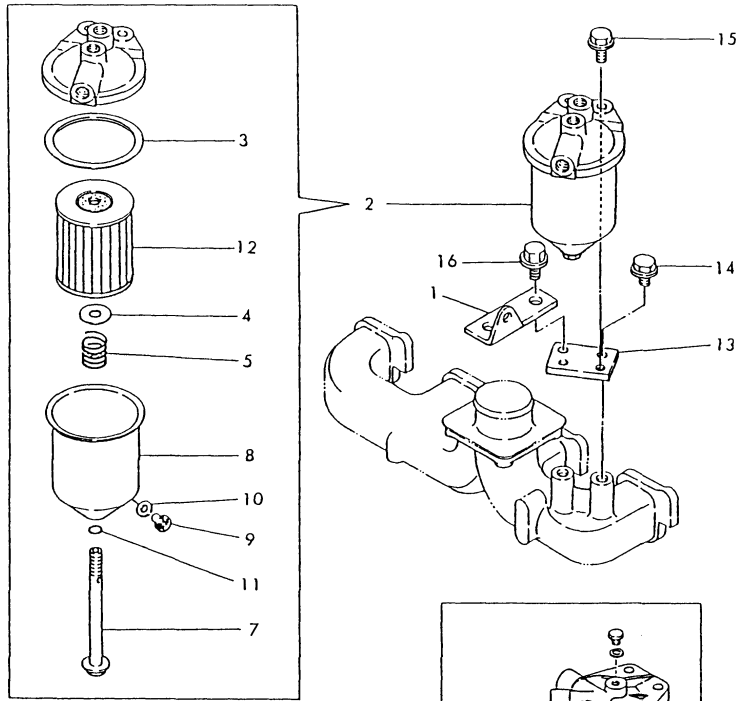


Fig.27. FUEL FILTER

(A)=3T95L-GN
(B)=4T95L-GN
(C)=4T95LT-GN

(D)=
(E)=
(F)=

U71090-55100
U71090-93140
U71092-93140
U71093-93120



No.	Lev.	Parts No.	Description	Qty						I	R
				(A)	(B)	(C)	(D)	(E)	(F)		
1	1	124936-34880	RETAINER	1	1	1					
2	1	129495-55600	FILTER ASSY, FUEL	1	1	1					
3	2	123325-35140	GASKET	1	1	1					
4	2	123325-35160	WASHER	1	1	1					
5	2	123325-35170	SPRING	1	1	1					
7	2	129495-55620	BOLT	1	1	1					
8	2	123672-55720	CASE	1	1	1					
9	2	123672-55750	PLUG, DRAIN M8	1	1	1					
10	2	123672-55760	GASKET	1	1	1					
11	2	24311-000120	O-RING, 1AP12.0	1	1	1					
12	2	41650-550800		1	1	1					
13	1	121970-55690	SUPPORT	1	1	1					
14	1	26106-100202	BOLT, M10X 20 PLATED	1	1	1					
15	1	26106-100252	BOLT, M10X 25 PLATED	2	2	2					
16	1	26106-100252	BOLT, M10X 25 PLATED	1	1	1					
17	1	110250-39030	JOINT	1	1	1					
18	1	123672-55811	BRACKET	1	1	1					
19	1	171090-59140	JOINT	1	1	1					
20	1	23857-080000	BOLT, JOINT 8	1	1	1					
21	1	26106-100302	BOLT, M10X 30 PLATED	2	2	2					
22	1	26706-100002	NUT, M10	2	2	2					
23	1	43400-500470	SEAL WASHER 14	3	3	3					
24	1	43623-500030	SEPARATOR	1	1	1					
25	2	42430-550060	ELEMENT, FUEL OIL	1	1	1					

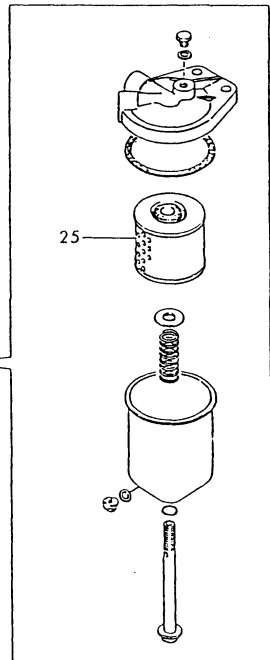
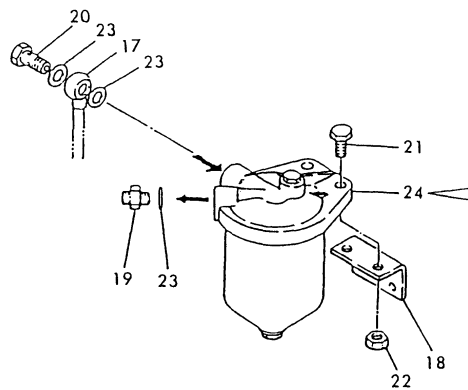
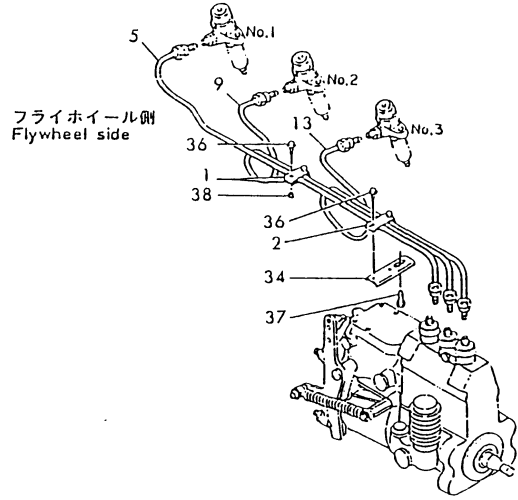


Fig.28. FUEL PIPES

(A)=3T95L-GN
 (B)=4T95L-GN
 (C)=4T95LT-GN

(D)=
 (E)=
 (F)=

021872-59100
 021972-59100



No.	Lev.	Parts No.	Description	Q'ty						I	R
				(A)	(B)	(C)	(D)	(E)	(F)		
1	1	122780-59100	RETAINER	2	1	1					
2	1	123372-59100	RETAINER, PIPE	1	2	2					
3	1	123472-59120	RETAINER, PIPE		1	1					
5	1	121972-59810	PIPE ASSY, INJECTION	1							
9	1	121972-59820	PIPE ASSY, INJECTION	1							
13	1	121972-59830	PIPE ASSY, INJECTION	1							
18	1	121972-59800	PIPE ASSY, INJECTION		1	1					
22	1	121972-59810	PIPE ASSY, INJECTION		1	1					
26	1	121972-59820	PIPE ASSY, INJECTION		1	1					
30	1	121972-59830	PIPE ASSY, INJECTION		1	1					
34	1	121870-59930	STAY	1	2	2					
35	1	121970-59940	STAY		1	1					
36	1	26106-060162	BOLT, M6X 16 PLATED	4	6	6					
37	1	26106-080162	BOLT, M8X 16 PLATED	1	2	2					
38	1	26366-060002	NUT, M6	2	2	2					

3T95L-GN

4T95L-GN
 4T95LT-GN

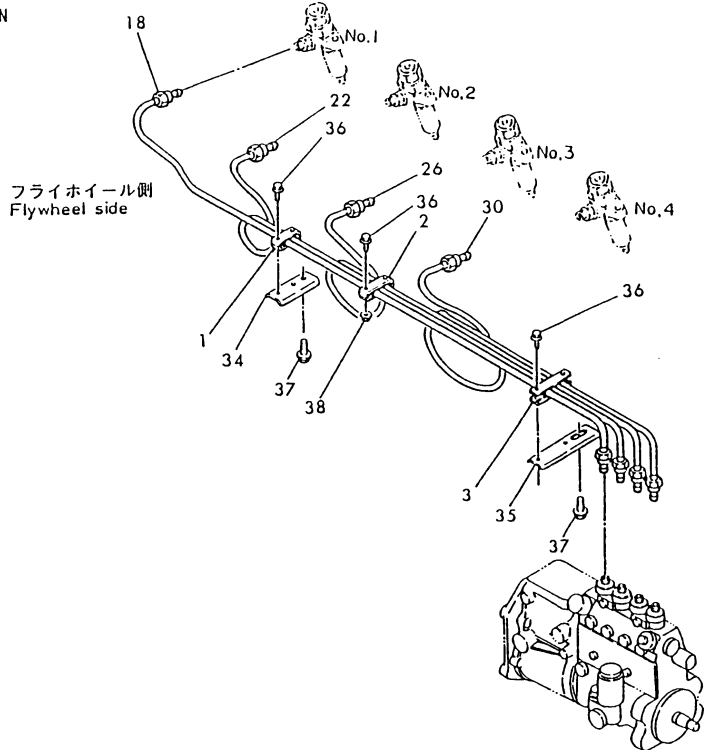
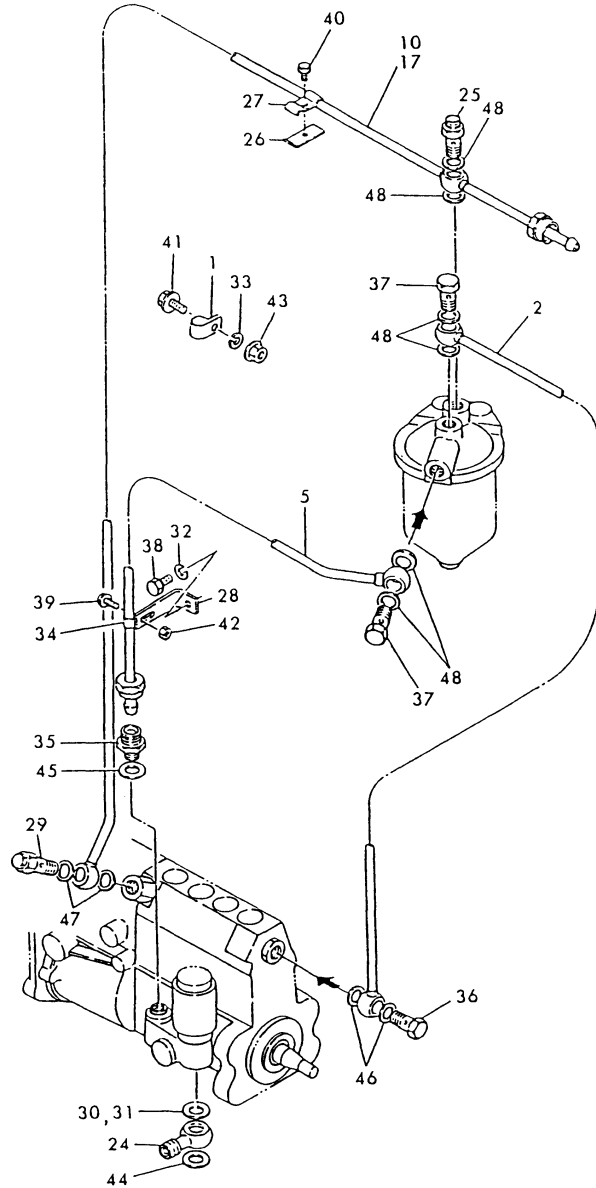


Fig.29. FUEL PIPES

(A)=3T95L-GN
(B)=4T95L-GN
(C)=4T95LT-GN

(D)=
(E)=
(F)=

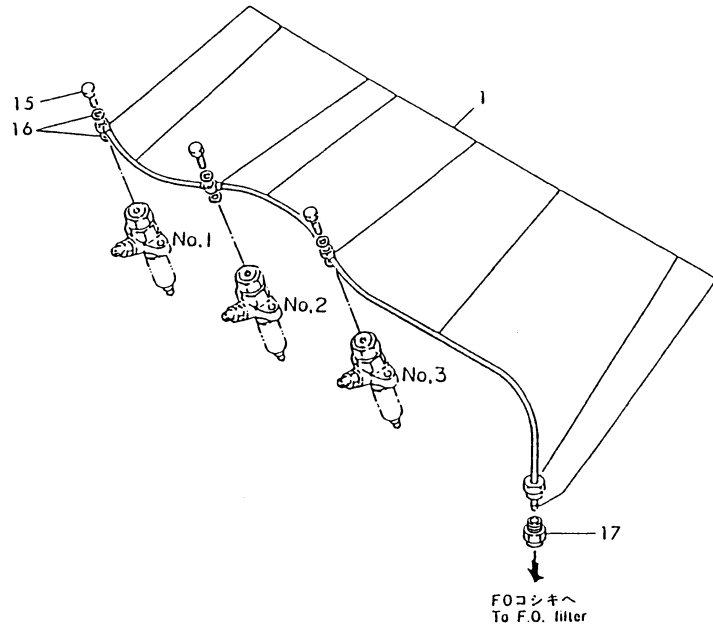
021870-59200
021970-59200



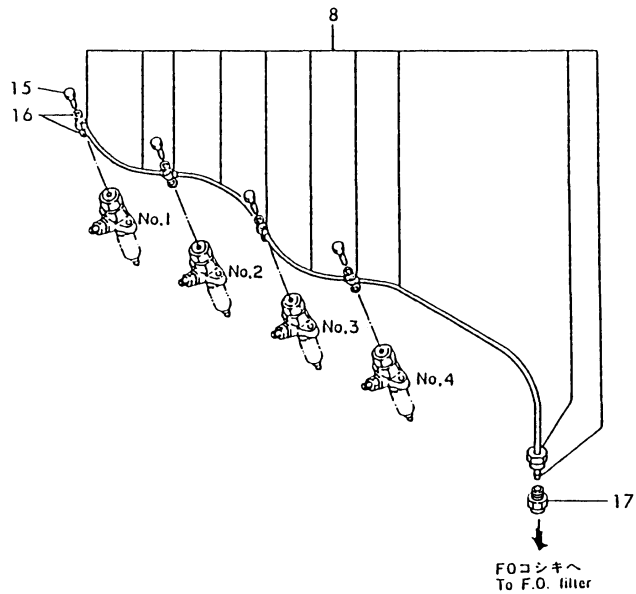
No.	Lev.	Parts No.	Description	Q'ty						I	R
				(A)	(B)	(C)	(D)	(E)	(F)		
1	1	124223-39900	RETAINER	1	1	1					
2	1	121970-59010	PIPE ASSY, FUEL	1	1	1					
5	1	121970-59020	PIPE ASSY, FUEL	1	1	1					
10	1	121870-59030	PIPE ASSY, FUEL	1							
17	1	121970-59030	PIPE ASSY, FUEL		1	1					
24	1	171090-59130	JOINT, PIPE	1	1	1					
25	1	126650-59300	BOLT, PIPE JOINT	1	1	1					
26	1	105584-59850	RETAINER	1	1	1					
27	1	124450-59860	RETAINER, PIPE	1	1	1					
28	1	121970-59900	SUPPORT	1	1	1					
29	1	135310-59910	VALVE	1	1	1					
30	1	135310-59930	PACKING, 14			1	1				
31	1	22190-140000	WASHER, SEAL 14	1							
32	1	22217-080000	WASHER, SPRING 8	1	1	1					
33	1	22217-080000	WASHER, SPRING 8	1	1	1					
34	1	23297-080061	CLAMP, A8X 6	1	1	1					
35	1	23831-080000	UNION, 8	1	1	1					
36	1	23857-080000	BOLT, JOINT 8	1	1	1					
37	1	23857-080000	BOLT, JOINT 8	2	2	2					
38	1	26011-080162	BOLT M 8X 16	1	1	1					
39	1	26014-060162	BOLT, M6X 16	1	1	1					
40	1	26106-060122	BOLT, M6X 12 PLATED	1	1	1					
41	1	26106-080162	BOLT, M8X 16 PLATED	1	1	1					
42	1	26366-060002	NUT, M6	1	1	1					
43	1	26366-080002	NUT, M8	1	1	1					
44	1	43400-500470	SEAL WASHER 14	1	1	1					
45	1	43400-500470	SEAL WASHER 14	1	1	1					
46	1	43400-500470	SEAL WASHER 14	2	2	2					
47	1	43400-500470	SEAL WASHER 14	2	2	2					
48	1	43400-500470	SEAL WASHER 14	6	6	6					

Fig.30. FUEL RETURN PIPES

021870-59300
021970-59300



3T95L-GN
4T95L-GN
4T95LT-GN



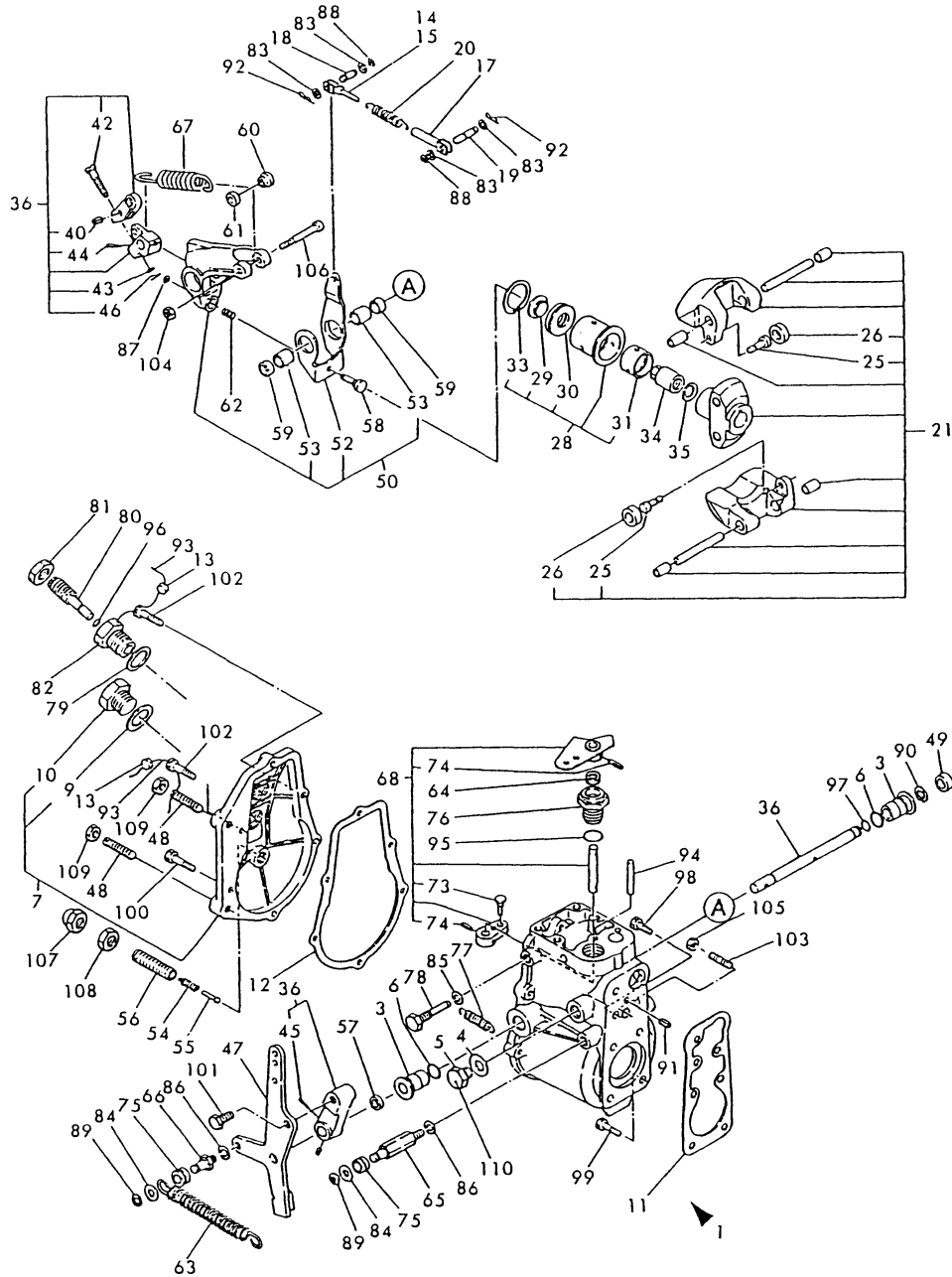
(A)=3T95L-GN
(B)=4T95L-GN
(C)=4T95LT-GN

(D)=
(E)=
(F)=

No.	Lev.	Parts No.	Description	Q'ty						I	R	
				(A)	(B)	(C)	(D)	(E)	(F)			
1	1	121870-59550	PIPE ASSY, RETURN	1								
8	1	121970-59550	PIPE ASSY, RETURN		1							
15	1	101147-59810	BOLT, PIPE JOINT M8	3	4	4						
16	1	23414-080000	GASKET, 8X1.0	6	8	8						
17	1	43551-001451	UNION	1	1	1						

Fig.31. GOVERNOR

024610-61201



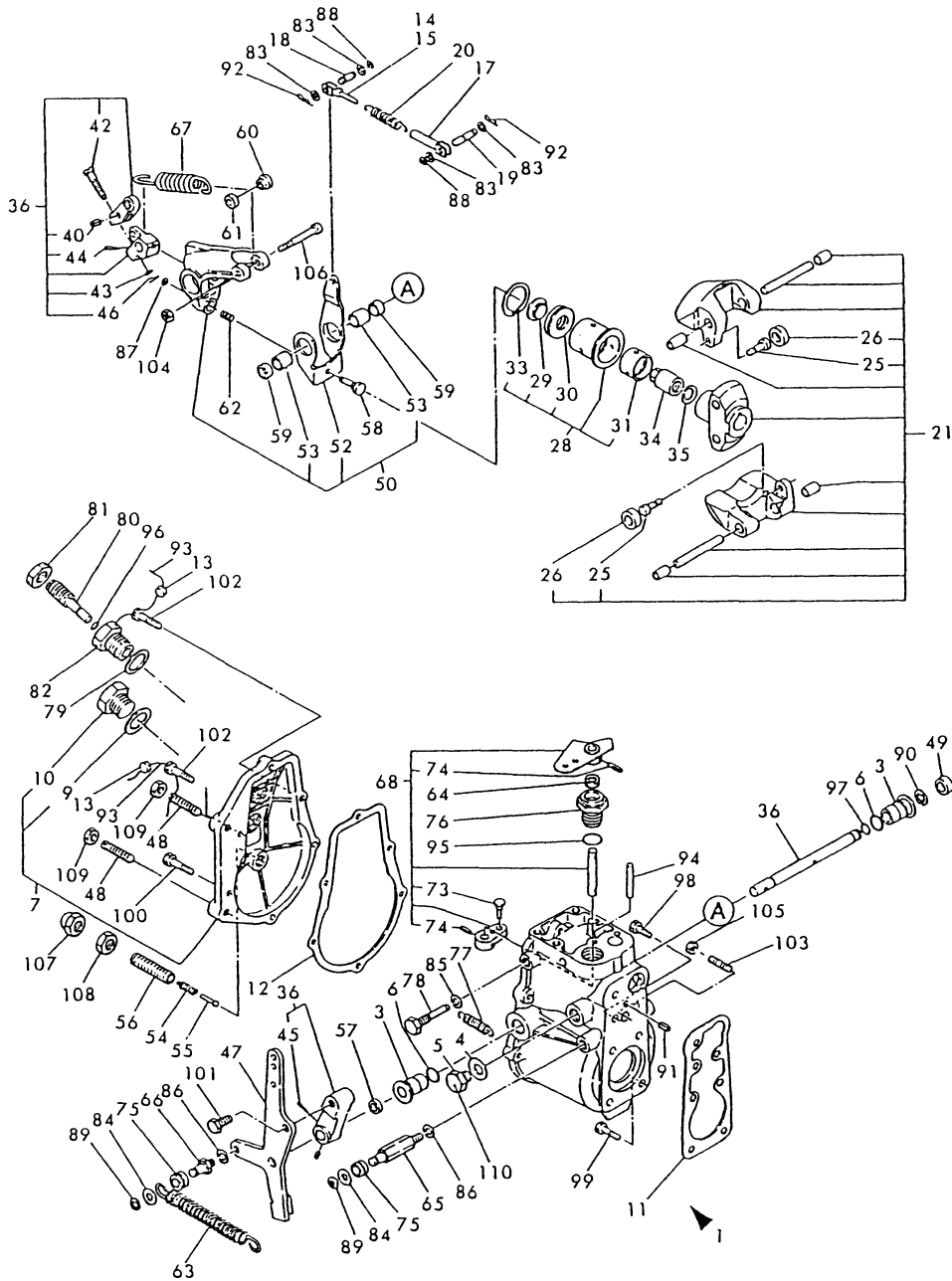
(A)=3T95L-GN
(B)=4T95L-GN
(C)=4T95LT-GN

(D)=
(E)=
(F)=

No.	Lev.	Parts No.	Description	Qty						I	R
				(A)	(B)	(C)	(D)	(E)	(F)		
1	1	721850-61531	CASE ASSY, GOVERNOR	1	1	1					
3	2	129795-61430	BUSH	2	2	2					
4	2	22190-120000	WASHER, SEAL 12	1	1	1					
5	2	23887-120002	PLUG, 12	1	1	1					
6	2	24341-000140	O-RING, 1AS14.0	2	2	2					
7	1	724610-61640	COVER ASSY	1	1	1					
9	2	22190-200000	WASHER, SEAL 20	1	1	1					
10	2	23887-200002	PLUG, 20	1	1	1					
11	1	121850-61050	GASKET	1	1	1					
12	1	121850-61071	GASKET	1	1	1					
13	1	135210-61090	LEAD	2	2	2					
14	1	121850-61140	LINK, A MARK -2	1	1	1					
15	1	121850-61150	LINK, A MARK -1	1	1	1					
17	1	121850-61160	LINK	1	1	1					
18	1	121850-61170	PIN, LINK	1	1	1					
19	1	121850-61180	PIN, LINK	1	1	1					
20	1	121850-61190	SPRING	1	1	1					
21	1	124610-61200	WEIGHT ASSY,GOVERNOR	1	1	1					
25	2	121850-61240	PIN, ROLLER	2	2	2					
26	2	121850-61250	ROLLER, WEIGHT	2	2	2					
28	1	121850-61300	SLEEVE ASSY	1	1	1					
29	2	121850-61310	SHIFTER	1	1	1					
30	2	121850-61320	BEARING, THRUST	1	1	1					
31	2	121850-61330	BUSH	1	1	1					
33	2	121850-61350	CIRCLIP	1	1	1					
34	1	121850-61380	NUT	1	1	1					
35	1	121850-61390	SPRING	1	1	1					
36	1	124610-61401	SHAFT ASSY	1	1	1					
40	2	124610-61450	PIN	1	1	1					
42	2	124610-61460	BOLT, ADJUSTING	1	1	1					
43	2	22117-040000	WASHER, 4	1	1	1					
44	2	22322-030220	PIN, TAPER 3X22	1	1	1					
45	2	22322-030250	PIN, TAPER 3X25	1	1	1					
46	2	22414-120080		1	1	1					
47	1	124410-61441	LEVER, CONTROL	1	1	1					
48	1	121850-61470	BOLT, LIMITER	2	2	2					
49	1	129795-61470	PLUG, 20	1	1	1					
50	1	124610-61500	LEVER ASSY, GOVERNOR	1	1	1					
52	2	124610-61520	LEVER	1	1	1					
53	2	121850-61531	BEARING, NEEDLE	2	2	2					
54	1	129795-61500	SPRING	1	1	1					
55	1	129795-61510	GUIDE	1	1	1					
56	1	129795-61521	SCREW	1	1	1					
57	1	120320-61540	SEAL, SC102004	1	1	1					
58	1	121850-61540	SHIFTER	1	1	1					
59	1	121850-61560	COLLAR	2	2	2					
60	1	121850-61580	PIECE	1	1	1					
61	1	121850-61590	PIECE	1	1	1					
62	1	120130-61600	SPRING, FUEL CONTROL	1	1	1					
63	1	121850-61650	SPRING	1	1	1					
64	1	148616-61650	SEAL, VC081404	1	1	1					

Fig.31. GOVERNOR

024610-61201



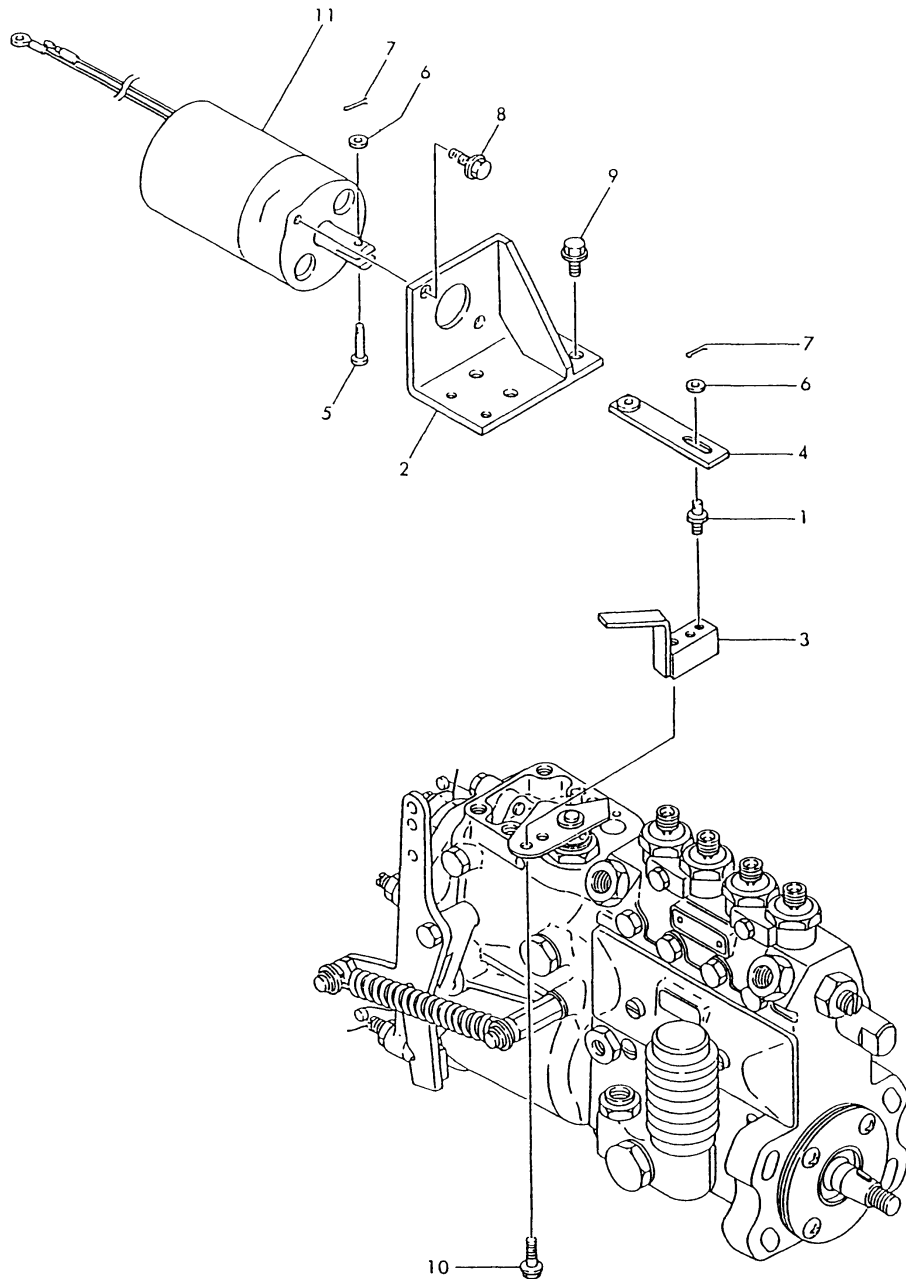
(A)=3T95L-GN
(B)=4T95L-GN
(C)=4T95LT-GN

(D)=
(E)=
(F)=

No.	Lev.	Parts No.	Description	Qty						I	R
				(A)	(B)	(C)	(D)	(E)	(F)		
65	1	121850-61660	BOLT	1	1	1					
66	1	121850-61670	BOLT	1	1	1					
67	1	124610-61710	SPRING, GOVERNOR	1	1	1					
68	1	124410-61770	SHAFT ASSY	1	1	1					
73	2	121850-61820	PIN	1	1	1					
74	2	22351-030016	PIN, SPRING 3.0X16	2	2	2					
75	1	144626-61781	PIECE	2	2	2					
76	1	121850-61840	BUSH	1	1	1					
77	1	124410-61860	SPRING	1	1	1					
78	1	124410-61870	BOLT	1	1	1					
79	1	144606-61910	WASHER, SEAL	1	1	1					
80	1	124410-61940	BOLT, CONTROL	1	1	1					
81	1	140673-61950	NUT	1	1	1					
82	1	124410-61960	GUIDE	1	1	1					
83	1	22117-050000	WASHER, 5	4	4	4					
84	1	22117-080000	WASHER, 8	2	2	2					
85	1	22190-080000	WASHER, SEAL 8	1	1	1					
86	1	22217-080000	WASHER, SPRING 8	2	2	2					
87	1	22272-000040	RING, E- 4	1	1	1					
88	1	22272-000040	RING, E- 4	2	2	2					
89	1	22272-000060	RING, E- 6	2	2	2					
90	1	22272-000070	RING, E- 7	1	1	1					
91	1	22351-050012	PIN, SPRING 5.0X12	1	1	1					
92	1	22372-050000	PIN, SNAP 5	2	2	2					
93	1	22451-100000	WIRE, 1.0	2	2	2					
94	1	22492-060362	PIN, B6X36	1	1	1					
95	1	24311-000160	O-RING, 1AP16.0	1	1	1					
96	1	24312-000070	O-RING, 2P7.0	1	1	1					
97	1	24341-000080	O-RING, 1AS8.0	1	1	1					
98	1	26106-060142	BOLT, M6X 14 PLATED	3	3	3					
99	1	26106-060182	BOLT, M6X 18 PLATED	3	3	3					
100	1	26106-060222	BOLT, M6X 22 PLATED	4	4	4					
101	1	26106-080182	BOLT, M8X 18 PLATED	1	1	1					
102	1	26116-060256	BOLT, M6X 25 PLATED	2	2	2					
103	1	26226-060122	STUD, M6X 12	1	1	1					
104	1	26366-060002	NUT, M6	1	1	1					
105	1	26366-060002	NUT, M6	1	1	1					
106	1	26450-060452	BOLT, M6X 45	1	1	1					
107	1	26677-120002	NUT, CAP M12	1	1	1					
108	1	26756-120002	NUT, LOCK M12	1	1	1					
109	1	26757-080002	NUT, LOCK M8	2	2	2					
110	1	124610-51970	LABEL	1	1	1					

Fig.32. ENGINE STOPPING DEVICE

024610-66100



(A)=3T95L-GN
(B)=4T95L-GN
(C)=4T95LT-GN

(D)=
(E)=
(F)=

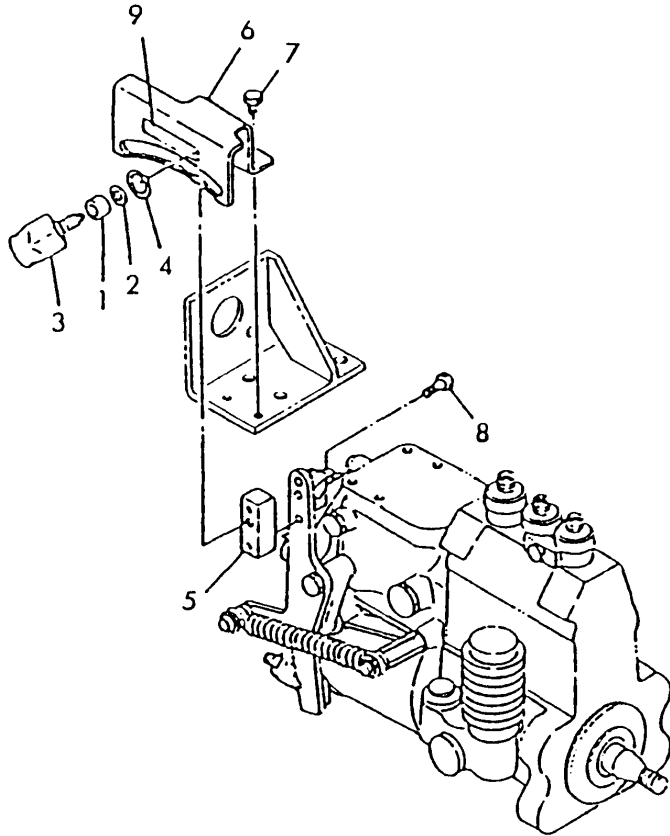
No.	Lev.	Parts No.	Description	Q'ty						I	R
				(A)	(B)	(C)	(D)	(E)	(F)		
1	1	120220-66250	PIN	1	1	1					
2	1	124610-66451	BRACKET, SOLENOID	1	1	1					
3	1	124610-66460	LEVER, STOP	1	1	1					
4	1	124610-66470	LEVER	1	1	1					
5	1	124790-66950	PIN	1	1	1					
6	1	22111-050000		2	2	2					
7	1	22360-050000	SNAP PIN 5	2	2	2					
8	1	26013-060149	BOLT, M6X 14	2	2	2					
9	1	26106-060142	BOLT, M6X 14 PLATED	4	4	4					
10	1	26106-060162	BOLT, M6X 16 PLATED	2	2	2					
11	1	46116-800040	SOLENOID VALVE	1	1	1					

Fig.33. REGURATOR

(A)=3T95L-GN
(B)=4T95L-GN
(C)=4T95LT-GN

(D)=
(E)=
(F)=

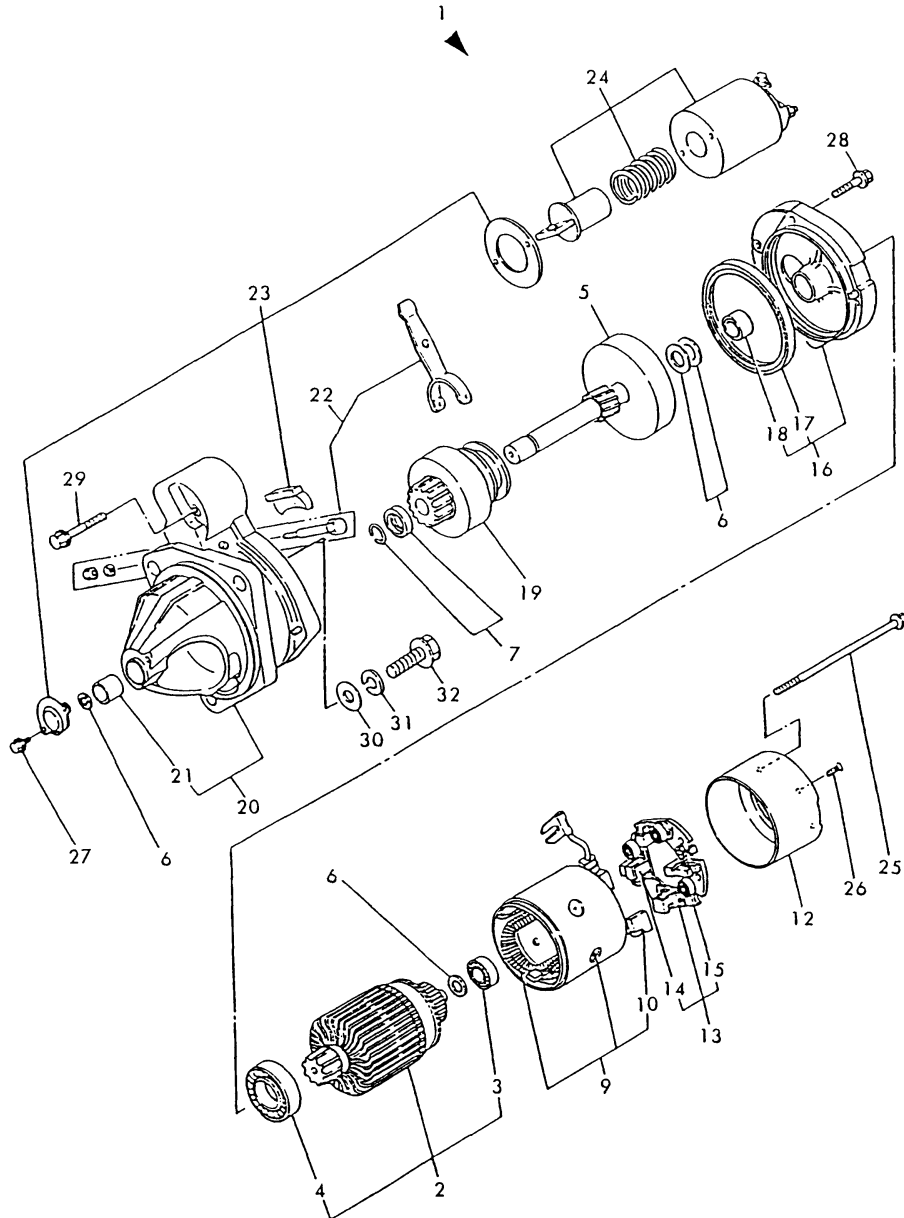
024610-67100



No.	Lev.	Parts No.	Description	Qty						I	R
				(A)	(B)	(C)	(D)	(E)	(F)		
1	1	105430-55290	COLLAR	1	1	1					
2	1	124060-61130	WASHER, 8	1	1	1					
3	1	101204-66211	KNOB	1	1	1					
4	1	106150-66220	GASKET	1	1	1					
5	1	124610-67400	LEVER, REGULATOR	1	1	1					
6	1	124610-67410	PLATE	1	1	1					
7	1	26106-060102	BOLT, M6X 10 PLATED	2	2	2					
8	1	26106-060162	BOLT, M6X 16 PLATED	2	2	2					

Fig.34. STARTING MOTOR

D24610-77100



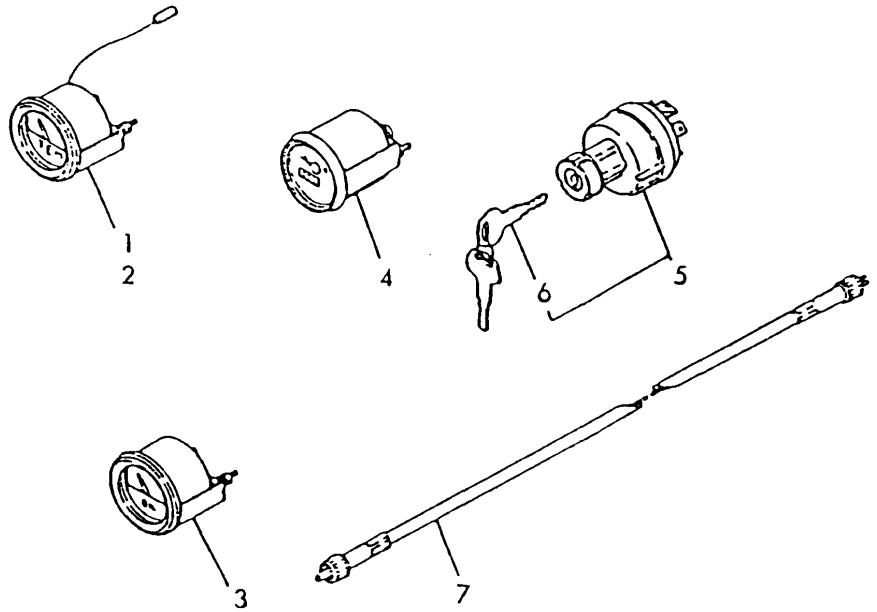
(A)=3T95L-GN
(B)=4T95L-GN
(C)=4T95LT-GN

(D)=
(E)=
(F)=

No.	Lev.	Parts No.	Description	Qty						I	R
				(A)	(B)	(C)	(D)	(E)	(F)		
1	1	124610-77010	STARTER, S13-68A	1	1	1					
2	2	119129-77400	ARMATURE ASSY	1	1	1					
3	3	121254-77410	BALL BEARING	1	1	1					
4	3	121254-77420		1	1	1					
5	2	121254-77610	SEAL, OIL	1	1	1					
6	2	121254-77430	WASHER KIT, THRUST	1	1	1					
7	2	119129-77670	STOPPER SET, PINION	1	1	1					
9	2	119129-77440	COIL ASSY, FIELD	1	1	1					
10	2	119129-77460	BRUSH(+)	2	2	2					
12	2	119129-77530	COVER, REAR	1	1	1					
13	2	119129-77470	HOLDER ASSY, BRUSH	1	1	1					
14	3	119129-77480	BRUSH(-)	2	2	2					
15	3	121254-77590	SPRING, BRUSH	4	4	4					
16	2	121254-77600	BEARING ASSY, CENTER	1	1	1					
17	3	119129-77210	SEAL, OIL	1	1	1					
18	3	119129-77220	BEARING, NEEDLE	1	1	1					
19	2	119129-77630	PINION ASSY	1	1	1					
20	2	119129-77650	CASE ASSY, GEAR	1	1	1					
21	3	119129-77660	BEARING, METAL	1	1	1					
22	2	121254-77700		1	1	1					
23	2	121254-77730	COVER SET, DUST	1	1	1					
24	2	119129-77640	SWITCH ASSY,MAGNETIC	1	1	1					
25	2	121254-77770	BOLT, THROUGH	2	2	2					
26	2	26557-040122	SCREW, M4X12	2	2	2					
27	2	26450-050122	BOLT, M5X 12	2	2	2					
28	2	26106-060302	BOLT, M6X 30 PLATED	3	3	3					
29	2	26106-060452	BOLT, M6X 45 PLATED	2	2	2					
30	1	22137-120000	WASHER, 12	3	3	3					
31	1	22217-120000	WASHER, SPRING 12	3	3	3					
32	1	26116-120352	BOLT, M12X 35 PLATED	3	3	3					

Fig.35. METER UNIT

U71090-91320



(A)=3T95L-GN
(B)=4T95L-GN
(C)=4T95LT-GN

(D)=
(E)=
(F)=

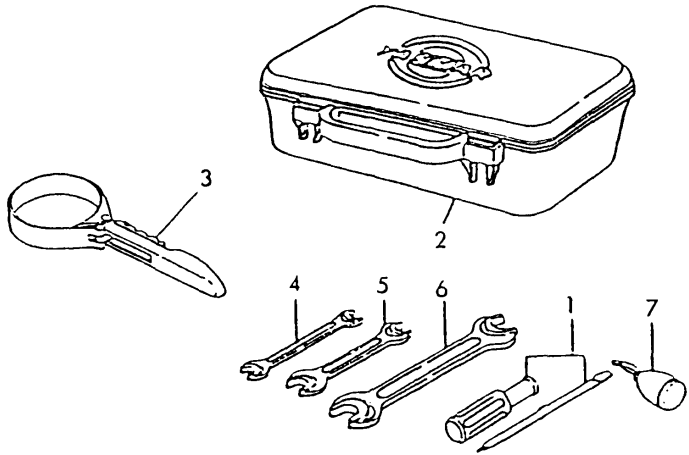
No.	Lev.	Parts No.	Description	Qty						I	R
				(A)	(B)	(C)	(D)	(E)	(F)		
1	1	171010-77850	THERMOSTAT	1	1	1					
2	1	171010-77850	THERMOSTAT	1	1	1					
3	1	171090-91010	GAUGE	1	1	1					
4	1	171011-91100	TACHOMETER	1	1	1					
5	1	121400-91251	SWITCH, STARTER	1	1	1					
6	2	121400-91271	KEY, SWITCH	1	1	1					
7	1	42130-502220	CABLE, TACHOMETER	1	1	1					

Fig.36. TOOLS

021400-92102

(A)=3T95L-GN
(B)=4T95L-GN
(C)=4T95LT-GN

(D)=
(E)=
(F)=

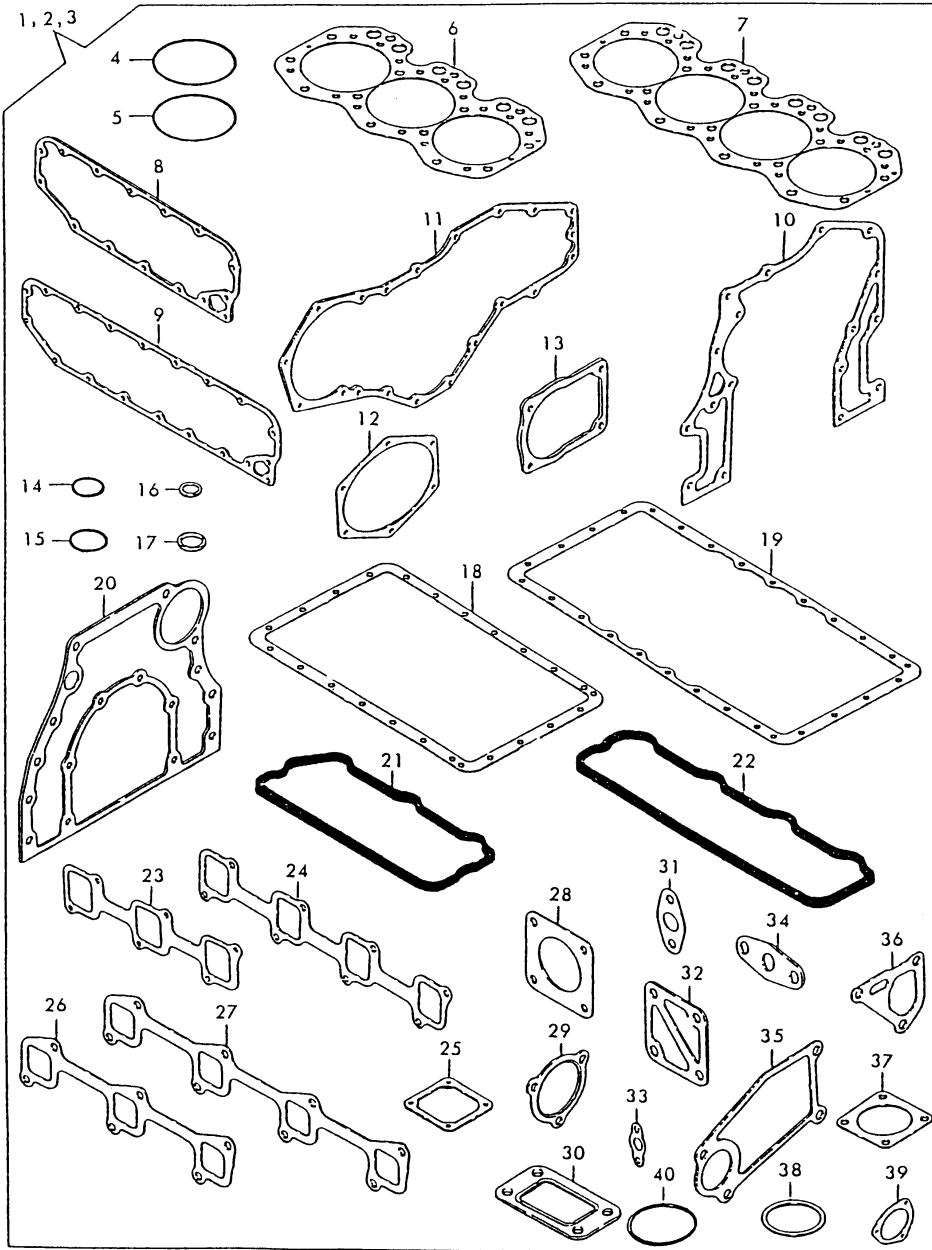


No.	Lev.	Parts No.	Description	Q'ty						I	R
				(A)	(B)	(C)	(D)	(E)	(F)		
1	1	104200-92350	DRIVER, SCREW	1	1	1					
2	1	104200-92600	BOX, TOOL	1	1	1					
3	1	127610-92750	WRENCH, FILTER	1	1	1					
4	1	28110-100120	SPANNER, 10X12	1	1	1					
5	1	28110-140170	SPANNER, 14X17	1	1	1					
6	1	28110-190220	SPANNER, 19X22	1	1	1					
7	1	28210-000140	OILER	1	1	1					

Fig.37. GASKET SET(OPTIONAL)

(A)=3T95L-GN
(B)=4T95L-GN
(C)=4T95LT-GN

(D)=
(E)=
(F)=



No.	Lev.	Parts No.	Description	Q'ty						I	R
				(A)	(B)	(C)	(D)	(E)	(F)		
1	1	771085-92600	GASKET SET	1							1
2	1	771086-92600	GASKET SET		1						1
3	1	771087-92600	GASKET SET			1					1
4	2	120445-01300	GASKET, LINER	3	4	4					
5	2	121850-01300	GASKET, LINER	3	4	4					
6	2	121850-01320	GASKET, HEAD	1							
7	2	121950-01320	GASKET, HEAD T=1.4		1	1					
8	2	121850-01410	GASKET	1							
9	2	121950-01410	GASKET		1	1					
10	2	121850-01510	GASKET, GEAR CASE	1	1	1					
11	2	121850-01530	GASKET, GEAR CASE	1	1	1					
12	2	121850-01560	GASKET	1	1	1					
13	2	124610-01862	GASKET	2	2	2					
14	2	24311-000320	O-RING, 1AP32.0	1	1	1					
15	2	24321-000350	O-RING, 1AG35.0	1	1	1					
16	2	23414-160000	GASKET, 16X1.0	1	1	1					
17	2	23414-240000	GASKET, 24X1.0	1	1	1					
18	2	121872-01710	GASKET, OIL SUMP	1							
19	2	121970-01710	GASKET, OIL SUMP		1	1					
20	2	121970-01610	GASKET	1	1	1					
21	2	124311-11310	GASKET	1							
22	2	124411-11310	GASKET		1	1					
23	2	121850-12110	GASKET, MANIFOLD	1							
24	2	121950-12110	GASKET, MANIFOLD		1	1					
25	2	121850-77021	GASKET	1	1	1					
26	2	121850-13200	GASKET	1							
27	2	121950-13200	GASKET, SILENCER		1	1					
28	2	121970-13210	GASKET	1	1						
29	2	121252-18190	GASKET							1	
30	2	121252-18090	GASKET							1	
31	2	121952-33071	GASKET, COOLER		2	2					
32	2	121850-35120	GASKET	1	1	1					
33	2	121850-39120	GASKET	3	3	3					
34	2	121952-39850	GASKET		1	1					
35	2	121970-42020	GASKET, WATER PUMP	1	1	1					
36	2	121970-49520	GASKET	1	1	1					
37	2	121850-49540	GASKET, THERMOSTAT	1	1	1					
38	2	121850-49550	GASKET, THERMOSTAT	1	1	1					
39	2	124250-91412	GASKET	1	1	1					
40	2	121850-51960	O-RING	1	1	1					

Remarks
(1)OPTIONAL PART.

Parts No. Index

Parts No.	Fig. No.	Ref. No.
101147-59810	30	15
101204-66211	33	3
101400-22400	14	29
103200-53210	26	15
104200-92350	36	1
104200-92600	36	2
104407-44480	3	10
105425-01690	4	3
105430-55290	33	1
105582-39150	18	3
	19	3
	23	2
105584-59850	29	26
106150-66220	33	4
110250-39030	27	17
119129-77210	34	17
119129-77220	34	18
119129-77400	34	2
119129-77440	34	9
119129-77460	34	10
119129-77470	34	13
119129-77480	34	14
119129-77530	34	12
119129-77630	34	19
119129-77640	34	24
119129-77650	34	20
119129-77660	34	21
119129-77670	34	7
120130-49350	1	8
	2	8
120130-61600	31	62
120142-39720	19	22
120220-11230	8	46
		52
	9	47
		53
120220-66250	32	1
120320-11171	8	23
	9	24
120320-61540	31	57
120445-01300	1	16
	2	16
	37	4
121027-11742	3	23
121250-39450	18	10
	19	16
121250-44901	22	1
121252-18090	13	1
	37	30
121252-18190	11	10

Parts No.	Fig. No.	Ref. No.
121252-18190	37	29
121252-39150	19	4
121254-77410	34	3
121254-77420	34	4
121254-77430	34	6
121254-77590	34	15
121254-77600	34	16
121254-77610	34	5
121254-77700	34	22
121254-77730	34	23
121254-77770	34	25
121400-91251	35	5
121400-91271	35	6
121450-42310	20	9
121470-44900	18	18
	19	43
	22	2
121521-77330	21	4
121750-03030	8	2
	9	2
121750-03080	8	5
	9	5
	3	37
121750-91400	3	37
121820-11300	8	64
121820-22090	14	16
121820-52020	25	2
121820-52030	25	3
121820-52040	25	4
121820-52050	25	5
121820-52070	25	6
121820-52100	25	7
121820-52110	25	8
121820-52120	25	9
121820-52140	25	11
121820-52170	25	13
121820-52180	25	14
121820-52190	25	15
121820-52200	25	16
121820-52210	25	17
121820-52230	25	18
121820-52300	25	21
121820-52400	25	23
121820-52510	25	24
121850-01200	1	18
	2	18
121850-01210	1	19
	2	19
121850-01300	1	17
	2	17
	37	5

Parts No.	Fig. No.	Ref. No.
121850-01320	1	20
	37	6
121850-01410	1	22
	37	8
121850-01510	3	14
	37	10
121850-01520	3	15
121850-01530	3	16
	37	11
121850-01550	3	17
121850-01560	3	18
	37	12
121850-01800	3	20
121850-01900	3	4
121850-01920	3	5
121850-02070	6	1
121850-02080	6	2
121850-02410	7	1
121850-02420	7	2
121850-02450	7	3
	12	9
121850-03020	8	1
	9	1
121850-03050	8	3
	9	3
121850-11090	8	21
	9	22
121850-11100	8	32
	9	33
121850-11120	8	34
	9	35
121850-11150	8	35
	9	36
121850-11160	8	22
	9	23
121850-11180	8	36
	9	37
121850-11250	8	54
	9	55
121850-11260	8	55
	9	56
121850-11270	8	56
121850-11390	8	57
	9	58
121850-11860	8	24
	9	25
121850-11920	8	60
	9	61
121850-12100	10	2
121850-12110	10	4

Parts No.	Fig. No.	Ref. No.
121850-12110	37	23
121850-13200	11	7
	37	26
121850-14100	12	7
121850-14400	12	11
121850-21130	14	8
121850-21200	14	5
121850-21290	14	6
121850-21650	14	12
121850-21660	14	14
121850-21680	14	15
121850-21920	1	13
	2	13
	5	5
	14	7
121850-22300	14	28
121850-23110	14	33
121850-23200	14	34
121850-25050	15	1
121850-25060	15	4
121850-25100	15	2
121850-32000	16	1
121850-32170	16	7
121850-32310	16	10
121850-32321	16	11
121850-32330	16	12
121850-32500	16	17
121850-32520	16	19
121850-32530	16	20
121850-34800	4	15
121850-35010	16	22
121850-35101	16	26
121850-35111	16	27
121850-35120	16	38
	37	32
121850-35140	16	28
121850-35150	16	29
121850-35200	16	30
	17	7
121850-35520	16	35
121850-35531	16	36
121850-39102	18	1
	19	1
121850-39120	16	39
	18	2
	19	2
	37	33
121850-39200	18	4
121850-39300	18	7
	23	3

Parts No. Index

Parts No.	Fig. No.	Ref. No.
121850-39900	18	11
	19	23
121850-42240	20	7
121850-42250	20	16
121850-42260	20	8
121850-42410	20	10
121850-42430	20	11
121850-49530	22	15
121850-49540	22	16
	37	37
121850-49550	22	17
	37	38
121850-51030	23	8
121850-51060	23	10
	24	5
121850-51070	23	11
	24	6
121850-51380	23	37
	24	32
121850-51390	23	38
	24	33
121850-51450	23	41
	24	36
121850-51500	23	45
121850-51530	23	48
	24	43
121850-51600	23	55
	24	50
121850-51700	23	56
	24	51
121850-51751	23	61
121850-51761	23	62
121850-51900	23	69
	24	63
121850-51930	23	75
	24	70
121850-51960	3	25
	23	77
	24	72
	37	40
121850-53000	26	3
121850-53250	26	16
121850-61050	31	11
121850-61071	31	12
121850-61140	31	14
121850-61150	31	15
121850-61160	31	17
121850-61170	31	18
121850-61180	31	19
121850-61190	31	20

Parts No.	Fig. No.	Ref. No.
121850-61240	31	25
121850-61250	31	26
121850-61300	31	28
121850-61310	31	29
121850-61320	31	30
121850-61330	31	31
121850-61350	31	33
121850-61380	31	34
121850-61390	31	35
121850-61470	31	48
121850-61531	31	53
121850-61540	31	58
121850-61560	31	59
121850-61580	31	60
121850-61590	31	61
121850-61650	31	63
121850-61660	31	65
121850-61670	31	66
121850-61820	31	73
121850-61840	31	76
121850-77021	10	6
	37	25
121850-77100	10	7
121870-59030	29	10
121870-59550	30	1
121870-59930	28	34
121872-01710	4	9
	37	18
121872-13100	11	1
121872-13110	11	4
121872-44740	20	19
121875-14200	12	10
121922-22090	14	22
121950-01320	2	20
	37	7
121950-01410	2	22
	37	9
121950-11270	9	57
121950-12100	10	3
121950-12110	10	5
	37	24
121950-13200	11	8
	37	27
121950-51030	24	3
121950-51500	24	40
121950-51751	24	56
121950-51761	24	57
121950-51910	23	71
	24	65
121952-01401	2	21

Parts No.	Fig. No.	Ref. No.
121952-11080	8	20
	9	21
121952-11110	8	33
	9	34
121952-25900	15	6
121952-33031	17	1
121952-33071	17	2
	37	31
121952-39200	19	5
121952-39300	19	8
121952-39400	19	11
121952-39651	19	52
121952-39800	17	6
121952-39820	17	13
121952-39830	17	14
121952-39850	17	16
	37	34
121952-51300	23	29
	24	24
121952-51330	23	32
	24	27
121952-51340	23	33
	24	28
121952-51370	23	36
	24	31
121952-53000	26	4
121970-01610	5	2
	37	20
121970-01710	4	10
	37	19
121970-03060	8	4
	9	4
121970-13100	11	2
121970-13210	11	9
	37	28
121970-42000	20	1
121970-42020	20	13
	37	35
121970-42050	20	3
121970-42120	20	5
121970-42200	20	6
121970-42280	20	17
121970-42440	20	12
121970-42900	21	1
121970-44740	20	20
121970-49010	22	6
121970-49020	22	7
121970-49030	22	3
121970-49501	22	11
121970-49520	22	14

Parts No.	Fig. No.	Ref. No.
121970-49520	37	36
121970-49530	22	13
121970-55690	27	13
121970-59010	29	2
121970-59020	29	5
121970-59030	29	17
121970-59550	30	8
121970-59900	29	28
121970-59940	28	35
121972-12050	10	1
121972-13100	11	3
121972-13110	11	5
121972-13130	11	6
121972-18010	13	4
121972-39500	19	17
121972-39550	19	20
121972-39910	19	24
121972-44740	20	21
121972-44750	20	22
121972-49010	22	8
121972-49020	22	9
121972-51100	23	14
	24	9
121972-59800	28	18
121972-59810	28	5
		22
121972-59820	28	9
		26
121972-59830	28	13
		30
122117-51560	23	51
	24	46
122710-51050	23	9
	24	4
122710-51080	23	12
	24	7
122710-51090	23	13
	24	8
122710-51160	23	17
	24	12
122710-51170	23	18
	24	13
122710-51180	23	19
	24	14
122710-51200	23	20
	24	15
122710-51230	23	23
	24	18
122710-51250	23	25
	24	20

Parts No. Index

Parts No.	Fig. No.	Ref. No.
122710-51260	23	26
	24	21
122710-51270	23	27
	24	22
122710-51280	23	28
	24	23
122710-51360	23	35
	24	30
122710-51400	23	39
	24	34
122710-51410	23	40
	24	35
122710-51510	23	46
	24	41
122710-51520	23	47
	24	42
122710-51540	23	49
	24	44
122710-51550	23	50
	24	45
122710-51571	23	52
	24	47
122710-51580	23	53
	24	48
122710-51590	23	54
	24	49
122710-51701	23	57
	24	52
122710-51721	23	59
	24	54
122710-51790	23	63
	24	58
122710-51870	23	64
	24	59
	25	20
122710-51880	23	65
	24	60
122710-51890	23	66
	24	61
122710-51920	23	74
	24	69
122780-51900	23	70
	24	64
122780-59100	28	1
123325-35140	27	3
123325-35160	27	4
123325-35170	27	5
123325-52010	25	1
123372-59100	28	2
123385-82200	2	24

Parts No.	Fig. No.	Ref. No.
123472-59120	28	3
123650-18851	10	15
123672-55720	27	8
123672-55750	27	9
123672-55760	27	10
123672-55811	27	18
124060-61130	33	2
124160-01751	3	19
	9	65
124160-11360	8	69
	9	70
124220-51890	23	67
	24	62
124223-35510	16	34
	17	11
124223-39900	29	1
124227-01780	5	3
124250-11190	8	37
	9	38
124250-91412	3	38
	37	39
124311-11310	8	66
	37	21
124311-21000	14	1
124410-51350	23	34
	24	29
124410-51730	23	60
	24	55
124410-61441	31	47
124410-61770	31	68
124410-61860	31	77
124410-61870	31	78
124410-61940	31	80
124410-61960	31	82
124411-07210	8	13
	9	14
124411-07220	8	14
	9	15
124411-11300	9	66
124411-11310	9	67
	37	22
124411-11320	8	67
	9	68
124411-11330	8	68
	9	69
124413-18040	10	15 B
124450-44590	20	28
124450-59860	29	27
124460-77680	1	23
	2	23

Parts No.	Fig. No.	Ref. No.
124610-01851	3	21
124610-01862	3	22
	37	13
124610-02150	6	3
124610-02160	6	6
124610-51970	31	110
124610-61200	31	21
124610-61401	31	36
124610-61450	31	40
124610-61460	31	42
124610-61500	31	50
124610-61520	31	52
124610-61710	31	67
124610-66451	32	2
124610-66460	32	3
124610-66470	32	4
124610-67400	33	5
124610-67410	33	6
124610-77010	34	1
124790-66950	32	5
124936-34880	27	1
126630-48170	22	18
126630-53080	26	9
126630-53190	26	13
126650-59300	29	25
127410-21480	14	11
127412-18853	10	16
127610-11170	8	44
		50
	9	45
		51
127610-11350	8	38
	9	39
127610-39350	19	48
127610-39360	19	49
127610-39410	19	47
127610-53330	26	20
127610-92750	36	3
128610-11900	8	58
	9	59
128610-11910	8	59
	9	60
129495-55600	27	2
129495-55620	27	7
129792-39610	19	21
129795-11750	5	4
129795-42100	20	4
129795-61430	31	3
129795-61470	31	49
129795-61500	31	54

Parts No.	Fig. No.	Ref. No.
129795-61510	31	55
129795-61521	31	56
135210-61090	31	13
135310-59910	29	29
135310-59930	29	30
135400-01790	19	41
140673-61950	31	81
144606-61910	31	79
144626-51700	23	58
	24	53
144626-51950	23	76
	24	71
144626-53120	26	11
144626-53181	26	12
144626-53200	26	14
144626-53301	26	19
144626-61781	31	75
144626-91560	18	12
	19	25
148616-61650	31	64
171010-77850	35	1
		2
171011-44301	21	2
171011-44310	21	3
171011-91100	35	4
171087-21650	14	13
171087-42280	20	18
171090-01400	1	21
171090-01601	5	1
171090-18051	10	14
171090-21601	14	9
171090-44501	20	25
171090-44760	20	29
171090-59130	29	24
171090-59140	27	19
171090-91010	35	3
171092-44501	20	26
171092-44760	20	30
171093-44500	20	27
180110-51910	23	72
	24	66
194440-51620	3	24
22111-050000	32	6
22117-040000	31	43
22117-050000	31	83
22117-080000	4	11
	31	84
22117-100000	17	3
22137-100000	3	6
22137-120000	34	30

Parts No. Index

Parts No.	Fig. No.	Ref. No.
22190-080000	31	85
22190-120000	31	4
22190-140000	29	31
22190-200000	31	9
22217-060000	20	31
	23	78
	24	73
22217-080000	16	40
	29	32
		33
	31	86
22217-100000	3	7
	17	4
22217-120000	15	7
	34	31
22242-000110	23	79
	24	74
22242-000200	8	61
	9	62
22272-000040	31	87
		88
22272-000060	31	89
22272-000070	31	90
22312-030080	19	53
22312-040080	16	13
22312-080160	1	3
		12
	2	3
		12
	3	8
22322-030220	31	44
22322-030250	31	45
22351-030016	31	74
22351-040010	6	12
22351-050012	31	91
22360-050000	32	7
22372-050000	31	92
22414-120080	31	46
22451-100000	31	93
22492-060362	31	94
22512-070220	12	8
23000-022000	22	4
23000-025000	19	26
23000-060000	10	8
23000-070000	10	9
		17
23010-023000	8	6
	9	6
23010-050000	22	10
23061-070300	1	24

Parts No.	Fig. No.	Ref. No.
23061-070300	2	25
23297-080061	19	27
	29	34
23297-080081	19	28
23414-060000	23	80
	24	75
23414-080000	18	13
	19	29
	23	81
	30	16
23414-100000	19	30
		45
23414-100014	19	42
23414-160000	4	6
	37	16
23414-160021	18	19
	19	44
	22	5
23414-170000	11	11
23414-180000	16	37
	17	15
23414-180023	23	82
	24	76
23414-200000	18	14
	19	31
		32
23414-240000	4	7
	37	17
23831-080000	29	35
23831-150000	19	33
23857-030000	18	15
	19	34
	23	83
23857-080000	27	20
	29	36
		37
23857-150000	18	16
	19	35
		36
23871-010000	1	4
	2	4
	8	25
	9	26
23871-030000	1	5
	2	5
		27
	3	9
	8	26
	9	27
23871-040000	8	27

Parts No.	Fig. No.	Ref. No.
23871-040000	9	28
23887-100002	19	46
23887-120002	31	5
23887-200002	31	10
23887-240002	4	8
23897-030002	11	12
24190-070001	19	51
24311-000120	27	11
24311-000160	31	95
24311-000320	3	26
	9	71
	37	14
24312-000070	31	96
24316-000200	19	37
24321-000350	3	27
	37	15
24341-000080	31	97
24341-000140	31	6
26011-080162	29	38
26013-060122	19	38
26013-060149	32	8
26013-060202	19	39
26013-080182	18	17
	19	40
	21	5
26013-080202	7	4
	16	14
	20	23
26013-080222	21	6
26013-080252	20	24
26013-080402	3	30
	16	15
26013-080452	15	5
26014-060142	8	7
	9	7
	22	19
26014-060162	29	39
26014-080162	3	28
26014-080182	11	13
26014-080402	3	29
26022-060162	23	84
	24	77
26106-060102	33	7
26106-060122	20	32
	29	40
26106-060142	3	39
	31	98
	32	9
26106-060162	28	36
	32	10

Parts No.	Fig. No.	Ref. No.
26106-060162	33	8
26106-060182	31	99
26106-060222	31	100
26106-060302	3	40
	34	28
26106-060352	23	85
	24	78
26106-060452	34	29
26106-080142	10	10
26106-080162	3	31
	28	37
	29	41
26106-080182	31	101
26106-080202	1	26
26106-080222	3	32
	10	11
26106-080252	2	28
	4	12
	17	17
	21	7
	22	20
26106-080282	1	27
	5	6
26106-080302	16	16
26106-080382	3	33
	4	13
26106-080452	1	28
26106-080502	2	29
26106-080552	3	34
	11	14
26106-080602	1	29
	8	62
	9	63
	11	15
26106-080652	11	16
	20	14
26106-080752	3	35
	20	15
26106-080802	22	21
26106-080902	3	36
26106-081002	11	17
26106-100202	27	14
26106-100252	27	15
		16
26106-100282	11	18
	16	41
26106-100302	5	7
	27	21
26106-100852	11	19
26116-060256	31	102

Parts No. Index

Parts No.	Fig. No.	Ref. No.
26116-060559	23	86
	24	79
26116-081202	4	14
26116-120222	8	15
	9	16
26116-120352	34	32
26206-100182	8	16
	9	17
26216-060162	23	7
	24	80
26216-080202	10	12
26216-080222	13	2
26216-080252	11	20
26216-080352	8	39
	9	40
26216-080502	11	21
26226-060122	31	103
26366-060002	20	33
	28	38
	29	42
	31	104
		105
26366-080002	3	11
	8	40
		41
	9	41
		42
	10	13
	11	22
		23
	13	3
	21	8
	29	43
26366-100002	3	12
26450-050122	34	27
26450-060452	31	106
26450-080182	16	42
26450-100352	16	21
26557-040122	34	26
26557-060162	8	63
	9	64
26606-100002	17	5
26677-120002	31	107
26706-100002	3	13
	21	9
	27	22
26716-060002	23	68
	24	81
26716-120002	15	8
26756-080002	8	47

Parts No.	Fig. No.	Ref. No.
26756-080002	8	53
	9	48
		54
26756-120002	31	108
26757-080002	31	109
27231-600000	1	6
	2	6
27241-160000	1	7
	2	7
27241-180000	8	28
	9	29
27241-220000	8	29
	9	30
27241-280000	8	30
	9	31
27241-400000	8	31
	9	32
28110-100120	36	4
28110-140170	36	5
28110-190220	36	6
28210-000140	36	7
41650-550800	27	12
42130-502220	35	7
42430-550060	27	25
43400-500470	27	23
	29	44
		45
		46
		47
		48
43551-001451	30	17
43623-500030	27	24
46116-800040	32	11
46150-504500	1	30
	2	30
721850-01610	3	1
721850-01611	3	2
721850-01900	1	14
	2	14
721850-11650	8	42
	9	43
721850-11660	8	48
	9	49
721850-11700	8	17
721850-14580	12	1
721850-22500	14	18
721850-23100	14	30
721850-53100	26	1
721850-61531	31	1
721857-51300	23	1

Parts No.	Fig. No.	Ref. No.
721872-01540	4	1
721872-01560	1	1
721950-14580	12	2
721952-01560	2	1
721952-11700	9	18
721952-14580	12	3
721952-22500	14	24
721952-53100	26	2
721970-01540	4	2
721970-21700	14	2
721972-51300	24	1
724610-23600	14	35
724610-61640	31	7
771085-92600	37	1
771086-92600	37	2
771087-92600	37	3
XN191103	13	10
XN191109	13	14
XN191202	13	9
XN193204	13	33
XN193205	13	25
XN193206	13	24
XN193207	13	6
XN193653	13	34
XN194003	13	18
XN194100	13	16
XN194102	13	17
XN195102	13	15
XN196103	13	23
XN196600	13	21
XN196602	13	22
XN199800	13	35
XN199801	13	5
XN199806	13	8
XN817511	13	19
XN947206	13	32
XN971005	13	11
XN971007	13	13
XN971008	13	12
XN973002	13	26
XN973502	13	28
XN973503	13	27
XN974003	13	20
XN977003	13	7
XN977006	13	29
XN977007	13	30
XN977008	13	31
XNH169509	10	15 A

Parts No.	Fig. No.	Ref. No.
-----------	----------	----------