

0CD10-M41500EN

PREFACE

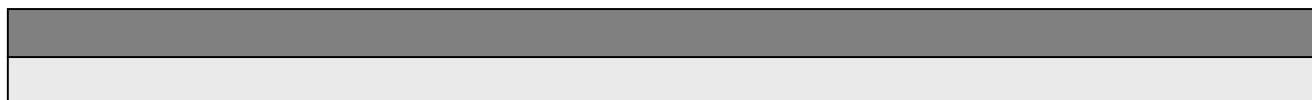
1. This Parts Catalog is the 1st edition of 3,4TN78L-RGN Diesel Engine for NISHISHIBA.

Pub. No. : 000Y00D4150

Published : August, 1991

2. Model name

Engine model	Vehicle		Vehicle made by
	Products	Model name	
3,4TN78L-RGN	—	—	NISHISHIBA



Directions for the Parts Catalog.

1. The parts stipulated in this Parts Catalog are not necessarily standard equipped parts.
2. Parts may change without prior notice.
3. The following is an example of the Parts Catalog format.

REF.	LEV.	PARTS NO.	DESCRIPTION	Q'TY						I	R
				(A)	(B)	(C)	(D)	(E)	(F)		
1	1	729595-51390	FUEL INJECTION PUMP	1	1	1	1	1			1
1-1	1	729595-51391	FUEL INJECTION PUMP	1	1	1	1	1		N	1
		(A=E00185) (B=E00200)									
3	2	26022-060162	SCREW M 6X 16	9	9	9	9	9			
3-1	2	26022-060162	SCREW M 6X 16	4	4	4	4	4		K	
		(A=E00156) (B=E00156) (C=E00156) (D=E00156) (E=E00156)									
4	2	129470-51040	CAMSHAFT	1	1	1	1	1			
5	2	122710-51050	BEARING, ROLLER	2	2	2	2	2			
6	2	129470-51060	RETAINER	1	1	1	1	1			

Remarks
(1) BOOST COMPEMSATOR TYPE. OPTIONAL PART, TO E00155,(4JH-DT, 4JH-DTZ

① Ref. No.

The Ref. No. listed may not be in accordance with the illustration Ref. No.

(Ex.) Illustration No.

List Ref No.

1

1

(Before change) → 1-1 (After change)

For interchangeable symbols N, R and K, illustrations for new parts may be abbreviated.

② Lev. (Level)

Level indication

The numbers below indicate the level of relativity towards the main part.

1 ----- Main parts (Assembly parts)

2 ----- Sub component included in " 1 ".

3 ----- Sub component included in " 2 ".

Note) Parts that are not for sale are partially illustrated but not listed.

③ Interchangeability Mark

When a part change takes place, one of the following interchangeability symbols is indicated beside the part.

Symbol	Interchangeability	Contents note
N	Old $\begin{matrix} \leftarrow \text{Yes} \\ \text{No} \rightarrow \end{matrix}$ New	New Part is interchangeable for Old Part but Old Part is not interchangeable for New Part.
Q	Old $\begin{matrix} \leftarrow \text{No} \\ \text{Yes} \rightarrow \end{matrix}$ New	New Part is not interchangeable for Old Part but Old Part is interchangeable for New Part.
R	Old $\begin{matrix} \leftarrow \text{Yes} \\ \text{Yes} \rightarrow \end{matrix}$ New	New/ Old Parts are both interchangeable.
S	Old $\begin{matrix} \leftarrow \text{No} \\ \text{No} \rightarrow \end{matrix}$ New	New/ Old Parts are both not interchangeable.
W		Part newly added.
Z		Part discontinued.
F		Not interchangeable by a single part but interchangeable together with related parts.
K		Changes only for used parts quantities.

④ Effective Machine No.

When a part changes, the effective Machine No. will be indicated in the (A)-(F) column.

Product Symbol	Product No.	Product Symbol	Product No.
C	Clutch No. Compressor No.	F	Machine No. (Agricultural Equip.)
D	Drive No.	M	Machine No.
E	Engine No.		

Note 1) A date may follow the symbol. (Ex.) 1996.01

Note 2) "XXXXX" and "ZZZZZ" are for parts that could not be predicted or for engine models that could not be identified.

Note 3) (A=E00185) is the E (Engine Serial Number) for the column (A) model (in this case 4JH-DT) after the parts design change.

⑤ Remarks Mark

Figures or alphabets (symbols) are entered in the remarks column.

The comments (remarks) on parts that are indicated at the bottom of the illustration are the same symbols as those stated above.

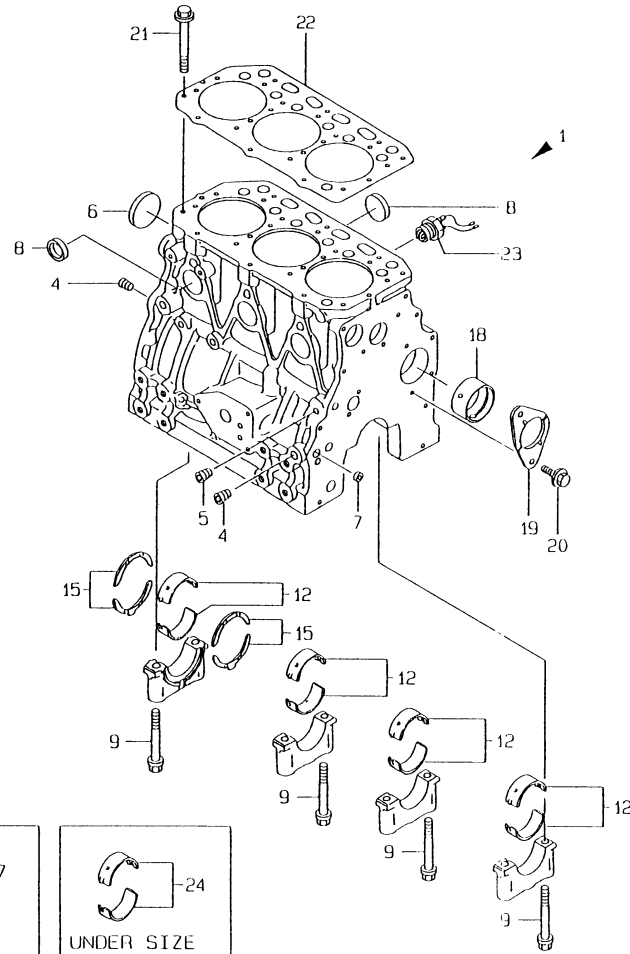
Contents

Fig. No.	Fig. Name	Fig. No.	Fig. Name
ENGINE 3,4TN78L-RGN		25.	FLYWHEEL HOUSING & OIL SUMP
1.	CYLINDER BLOCK	26.	BONNET
2.	GEAR HOUSING	27.	CYLINDER HEAD
3.	FLYWHEEL HOUSING & OIL SUMP	28.	SUCTION MANIFOLD & AIR CLEANER
4.	BONNET	29.	EXHAUST MANIFOLD
5.	CYLINDER HEAD	30.	CAMSHAFT & DRIVE GEAR
6.	SUCTION MANIFOLD & AIR CLEANER	31.	CRANKSHAFT & PISTON
7.	EXHAUST MANIFOLD	32.	LUB. OIL SYSTEM
8.	CAMSHAFT & DRIVE GEAR	33.	COOLING WATER SYSTEM
9.	CRANKSHAFT & PISTON	34.	TENSION PULLEY
10.	LUB. OIL SYSTEM	35.	THERMOSTAT
11.	COOLING WATER PUMP	36.	FUEL INJECTION PUMP
12.	TENSION PULLEY	37.	GEVERNOR
13.	THERMOSTAT	38.	FUEL INJECTION VALVE
14.	FUEL INJECTION PUMP	39.	FUEL FILTER
15.	GEVERNOR	40.	FEED PUMP
16.	FEED PUMP	41.	ENGINE STOPPING DEVICE
17.	FUEL INJECTION VALVE	42.	STARTING MOTOR
18.	FUEL FILTER	43.	ELECTRIC PARTS & TOOLS
19.	ENGINE STOPPING DEVICE	44.	GASKET SET
20.	STARTING MOTOR		
21.	ELECTRIC PARTS		
22.	GASKET SET & TOOLS		
23.	CYLINDER BLOCK		
24.	GEAR HOUSING		

Fig.1. CYLINDER BLOCK

Y00D4150
3TN78L-RGNCH

029111-01100
029150-02100
029150-02200



(A)=3TN78L-RGN

(B)=

(C)=

(D)=

(E)=

(F)=

No.	Lev.	Parts No.	Description	Q'ty						I	R
				(A)	(B)	(C)	(D)	(E)	(F)		
1	1	729100-01560	BLOCK ASSY, CYLINDER	1							
4	2	124160-01910	PLUG, PT1/4	3							
5	2	23871-010000	PLUG, R01	1							
6	2	27231-500000	PLUG 50	1							
7	2	27241-120000	PLUG, 12	2							
8	2	27241-300000	PLUG 30	6							
9	2	129150-02020	BOLT, METAL CAP	8							
12	2	129150-02800	BEARING, MAIN	4							
15	2	129150-02930	BEARING, THRUST	2							
18	2	129795-02411	BUSH, CAMSHAFT	1							
19	2	129150-02450	BEARING, THRUST	1							
20	2	26106-080162	BOLT, M8X 16 PLATED	2							
21	1	129150-01200	BOLT, HEAD	14							
22	1	129100-01330	GASKET, HEAD T=1.4	1							
23	1	46150-504600	HEATER	1							
23-1	1	124097-77900	HEATER, COOLING WATER	1							N
		(A="2001.09.)									
24	1	129150-02870	BEARING, 0.25 US	4							1
27	1	129150-02940	BEARING, THRUST 0.25	2							2

Remarks

- (1) UNDER-SIZE(U.S=0.25)PART.
- (2) OVER-SIZE(O.S=0.25)PART.

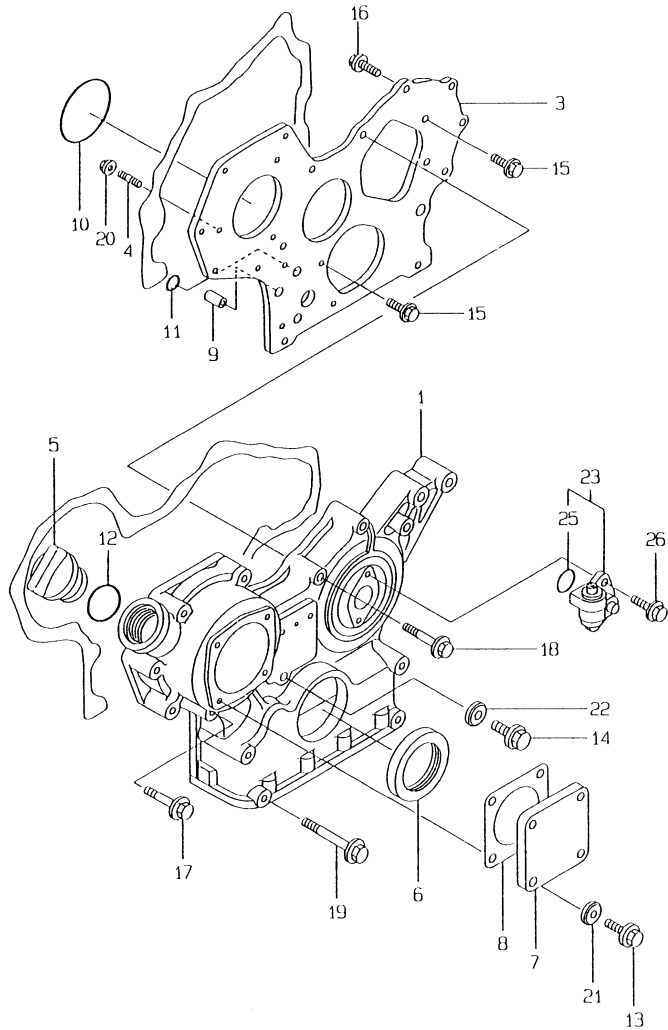
Fig.2. GEAR HOUSING

(A)=3TN78L-RGN
(B)=
(C)=

(D)=
(E)=
(F)=

Y0004150
3TN78L-RGNCH

029400-01210
029150-91100

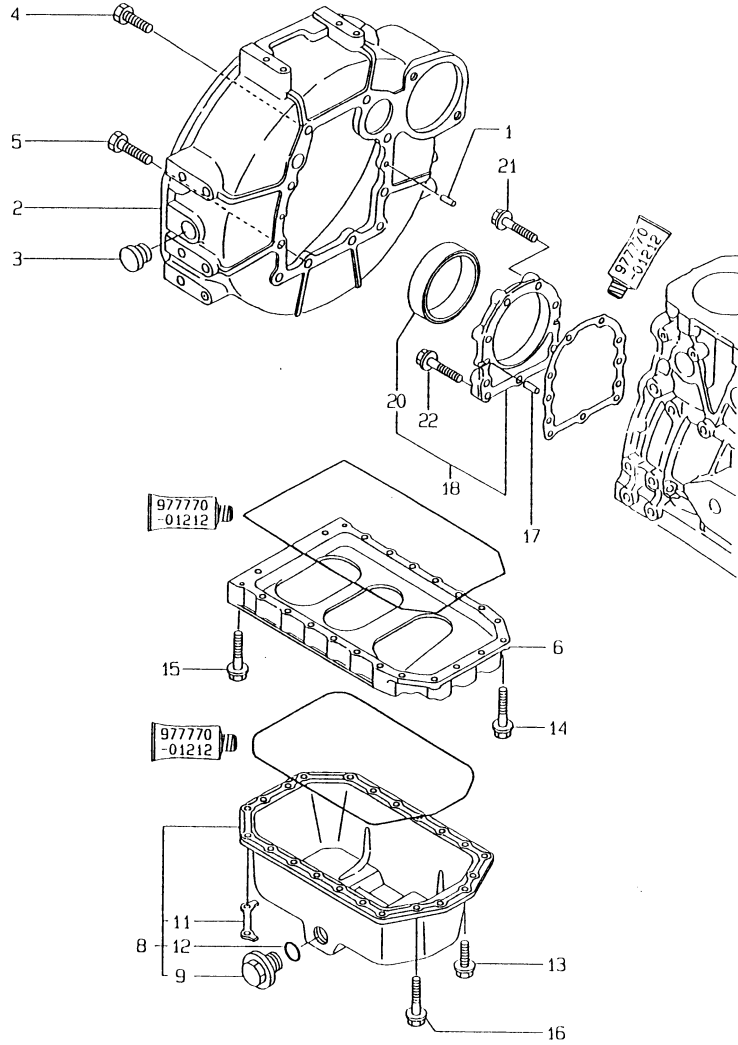


No.	Lev.	Parts No.	Description	Q'ty						I	R
				(A)	(B)	(C)	(D)	(E)	(F)		
1	1	129400-01500	CASE, GEAR	1							
3	1	129400-01520	FLANGE, GEAR CASE	1							
4	1	121450-01560	STUD, M8X22	3							
5	1	124160-01751	COVER, FILLER	1							
6	1	129795-01800	SEAL, OIL	1							
7	1	124240-01871	COVER	1							
8	1	124240-01883	GASKET	1							
9	1	129795-01950	PIPE, KNOCK L=18	2							
10	1	121850-51960	O-RING	1							
11	1	24311-000160	O-RING, 1AP16.0	2							
12	1	24311-000320	O-RING, 1AP32.0	1							
13	1	26106-080122	BOLT, M8X 12 PLATED	4							
14	1	26106-080162	BOLT, M8X 16 PLATED	1							
15	1	26106-080162	BOLT, M8X 16 PLATED	3							
16	1	26106-080202	BOLT, M8X 20 PLATED	2							
17	1	26106-080452	BOLT, M8X 45 PLATED	6							
18	1	26106-080552	BOLT, M8X 55 PLATED	3							
19	1	26106-080852	BOLT, M8X 85 PLATED	4							
20	1	26366-080002	NUT, M8	3							
21	1	43400-500410	SEAL WASHER 8	4							
22	1	43400-500410	SEAL WASHER 8	1							
23	1	129150-91400	GEAR	1							
25	2	24341-000240	O-RING, 1AS24.0	1							
26	1	26106-060162	BOLT, M6X 16 PLATED	2							

Fig.3. FLYWHEEL HOUSING & OIL SUMP

Y00D4150
3TN78L-RGNCH

029100-01310
029100-01410
029100-01510



(A)=3TN78L-RGN
(B)=
(C)=

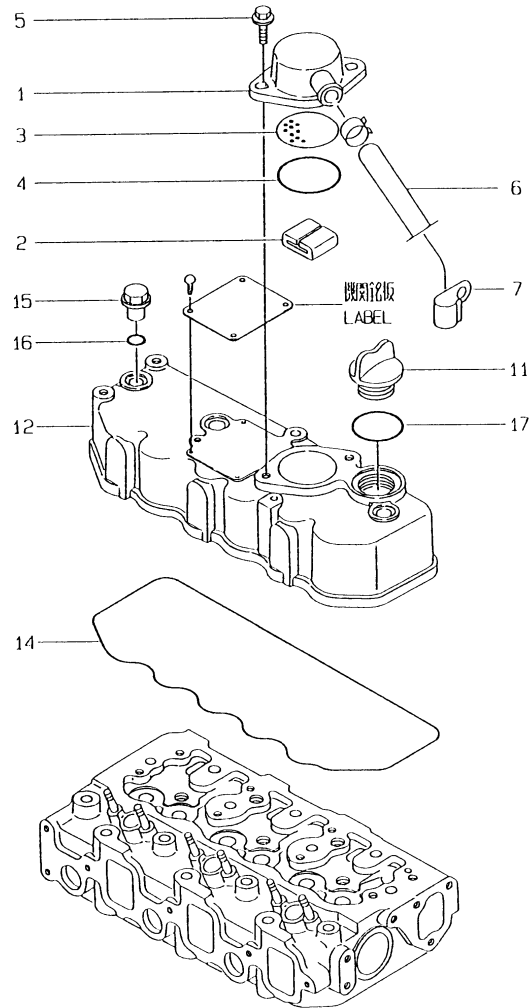
(D)=
(E)=
(F)=

No.	Lev.	Parts No.	Description	Q'ty						I	R
				(A)	(B)	(C)	(D)	(E)	(F)		
1	1	129100-01580	PIN, M8X16	2							
2	1	171301-01600	HOUSING, FLYWHEEL	1							
3	1	119620-01750	CAP	1							
4	1	26206-100252	BOLT, M10X 25 PLATED	6							
5	1	26206-100302	BOLT, M10X 30 PLATED	4							
6	1	129100-01730	SPACER, OIL SUMP	1							
8	1	129100-01770	SUMP ASSY, OIL	1							
9	2	171301-01640	PLUG, 22	1							
11	2	129100-01790	RETAINER	2							
12	2	24341-000240	O-RING, 1AS24.0	1							
13	1	26106-080162	BOLT, M8X 16 PLATED	4							
14	1	26106-080252	BOLT, M8X 25 PLATED	2							
15	1	26106-080452	BOLT, M8X 45 PLATED	16							
16	1	26106-080502	BOLT, M8X 50 PLATED	4							
17	1	129100-01580	PIN, M8X16	2							
18	1	129100-01640	CASE ASSY, OIL SEAL	1							
20	2	129795-01780	SEAL, OIL	1							
21	1	26106-080302	BOLT, M8X 30 PLATED	6							
22	1	26106-080352	BOLT, M8X 35 PLATED	3							

Fig.4. BONNET

Y0004150
31N7DL-RGNCH

D29100-03100
D29100-03110
D29111-07110
D29100-11220



(A)=3TN78L-RGN
(B)=
(C)=

(D)=
(E)=
(F)=

No.	Lev.	Parts No.	Description	Q'ty						I	R
				(A)	(B)	(C)	(D)	(E)	(F)		
1	1	129150-03020	COVER, BREATHER	1							
2	1	129150-03070	BAFFLE, BREATHER	1							
3	1	129150-03080	PLATE, BAFFLE	1							
4	1	24341-000500	O-RING, 1AS50.0	1							
5	1	26106-080162	BOLT, M8X 16 PLATED	2							
6	1	129150-03090	HOSE, ID16X2T	1							
7	1	129150-03100	RETAINER, PIPE	1							
11	1	124160-01751	COVER, FILLER	1							
12	1	129100-11300	BONNET	1							
14	1	129150-11310	GASKET, BONNET	1							
15	1	124160-11360	KNOB	3							
16	1	24311-000120	O-RING, 1AP12.0	3							
17	1	24311-000320	O-RING, 1AP32.0	1							

Fig.5. CYLINDER HEAD

(A)=3TN78L-RGN

(B)=

(C)=

(D)=

(E)=

(F)=

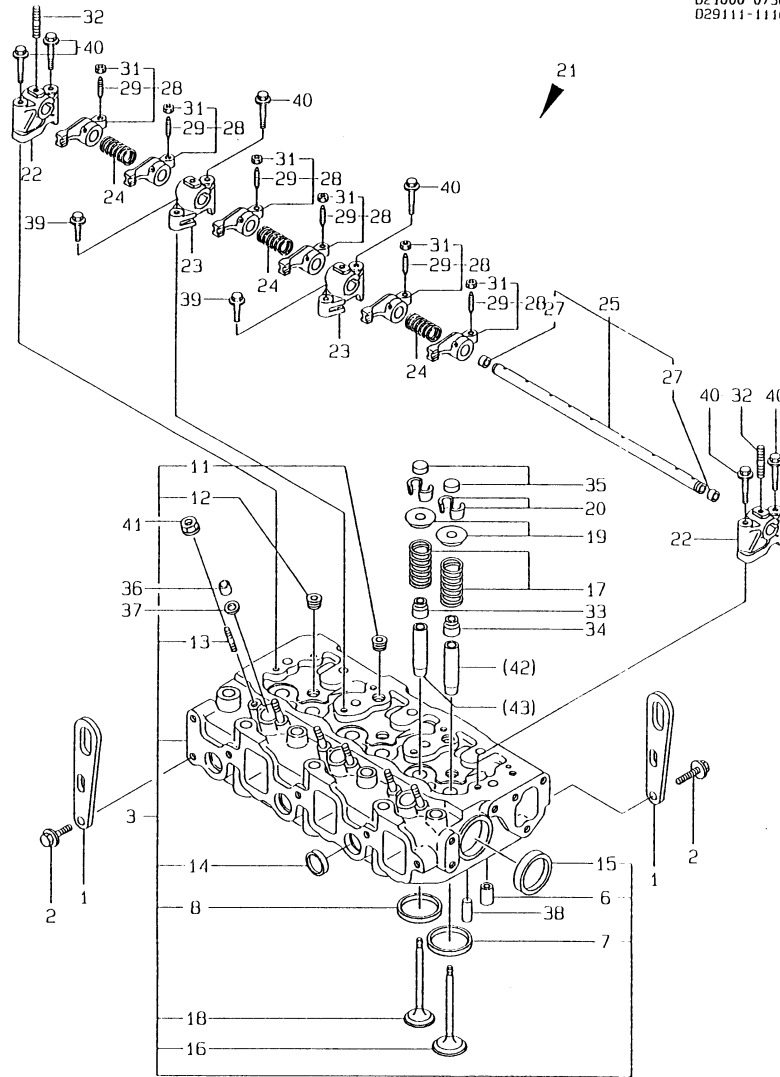
Q'ty

(A) (B) (C) (D) (E) (F)

I R

Y00D4150
3TN78L-RGNCH

D21000-07300
D29111-11160



No.	Lev.	Parts No.	Description	(A)	(B)	(C)	(D)	(E)	(F)	I	R
1	1	124736-07900	LIFTER	2							
2	1	26106-080142	BOLT, M8X 14 PLATED	4							
3	1	129103-11000	HEAD ASSY, CYLINDER	1							
6	2	129150-11050	PIECE	3							
7	2	129470-11080	SEAT, INTAKE VALVE	3							
8	2	129470-11090	SEAT, EXHAUST VALVE	3							
11	2	121850-11860	PLUG, PT1/4	2							
12	2	23871-030000	PLUG, R03	3							
13	2	26216-060202	STUD, M6X 20	6							
14	2	27241-220000	PLUG, 22	3							
15	2	27241-400000	PLUG, 40	2							
16	1	129100-11100	VALVE, INTAKE	3							
17	1	129795-11120	SPRING, VALVE	6							
18	1	129100-11130	VALVE, EXHAUST	3							
19	1	129795-11180	RETAINER, SPRING	6							
20	1	103338-11190	COTTER	6							
21	1	129155-11241	SHAFT ASSY, ROCKER	1							
22	2	129155-11260	SUPPORT, ROCKER ARM	2							
23	2	129155-11270	SUPPORT, ROCKER ARM	2							
24	2	129150-11280	SPRING	3							
25	2	129150-11290	SHAFT, ROCKER ARM	1							
27	3	27241-100000	PLUG, 10	2							
28	2	729402-11650	ARM ASSY, ROCKER	6							
29	3	129150-11230	SCREW, VALVE ADJUST	6							
31	3	129150-11750	NUT, M8	6							
32	2	26226-080182	STUD, M8X 18	3							
33	1	121400-11340	SEAL, VALVE STEM	3							
34	1	124460-11340	SEAL, VALVE STEM	3							
35	1	129150-11370	CAP, VALVE	6							
36	1	119625-11870	PROTECTOR, NOZZLE	3							
37	1	119625-11880	SEAT, NOZZLE	3							
38	1	22351-060012	PIN, SPRING 6.0X12	2							
39	1	26106-080252	BOLT, M8X 25 PLATED	2							
40	1	26106-080502	BOLT, M8X 50 PLATED	6							
41	1	26366-060002	NUT, M6	6							
42	1	120130-11860	GUIDE, VALVE	3							1
43	1	129150-11810	GUIDE, VALVE	3							1

Remarks

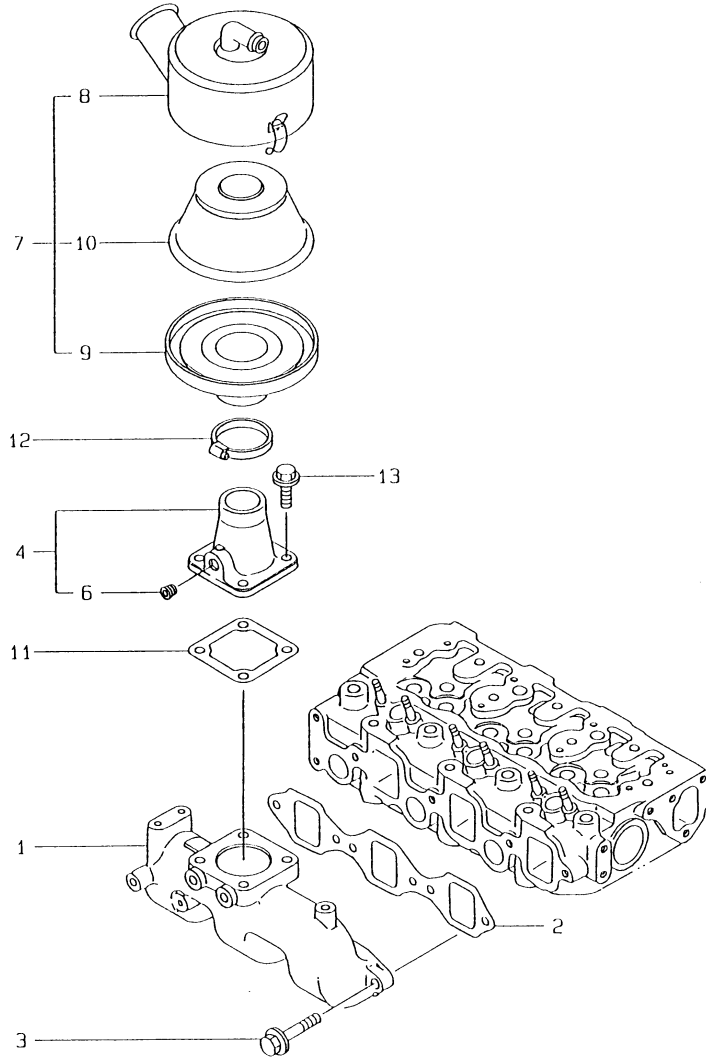
(1) REPAIR PART.

N:Old $\xrightarrow{\text{Yes}}$ New, Q:Old $\xrightarrow{\text{No}}$ New, R:Old $\xrightarrow{\text{Yes}}$ New, S:Old $\xrightarrow{\text{No}}$ New, W:Add, Z:Discontinued, F:Interchangeable by set, K:Q'ty Change

Fig.6. SUCTION MANIFOLD & AIR CLEANER

Y00D4150
3TN70L-RGNCH

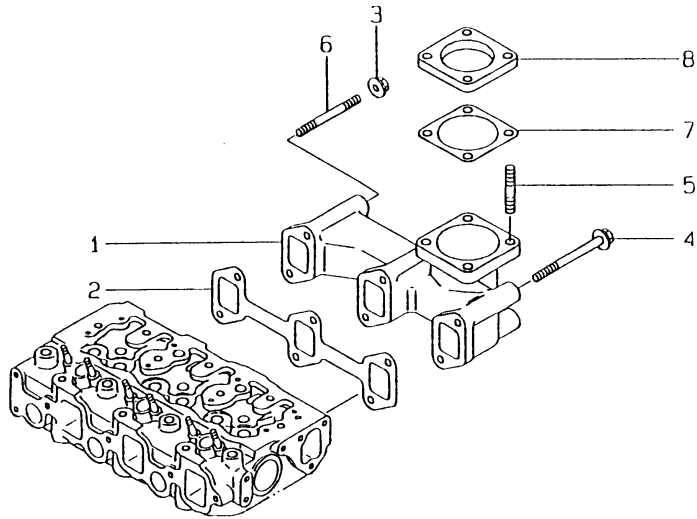
029150-12200
U71335-12100



No.	Lev.	Parts No.	Description	Q'ty						I	R
				(A)	(B)	(C)	(D)	(E)	(F)		
1	1	129150-12100	MANIFOLD, AIR INTAKE	1							
2	1	129150-12111	GASKET, MANIFOLD	1							
3	1	26106-080252	BOLT, M8X 25 PLATED	4							
4	1	129470-12210	JOINT ASSY	1							
6	2	23871-010000	PLUG, R01	1							
7	1	129795-12501	SILENCER ASSY	1							
8	2	129795-12520	PIPE, AIR INTAKE	1							
9	2	129795-12530	PLATE	1							
10	2	129795-12540	ELEMENT	1							
11	1	129150-77511	GASKET	1							
12	1	23000-060000	CLAMP, 60	1							
13	1	26106-080162	BOLT, M8X 16 PLATED	4							

Fig.7. EXHAUST MANIFOLD

Y0004150
3TN78L-RGN/C11



U71350-13100
D29111-93110

(A)=3TN78L-RGN
(B)=
(C)=

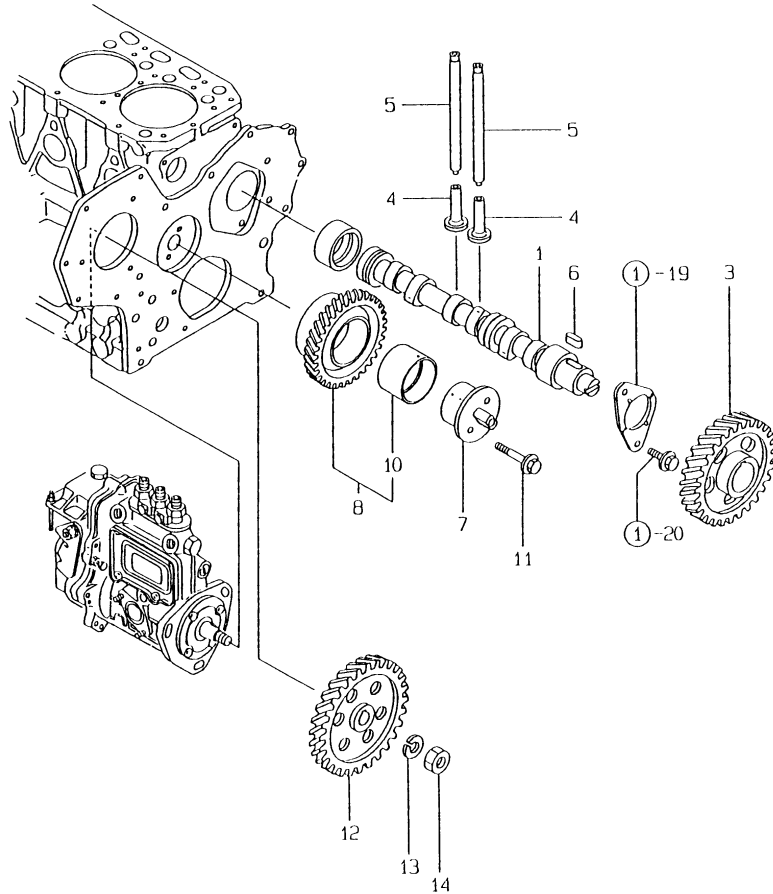
(D)=
(E)=
(F)=

No.	Lev.	Parts No.	Description	Q'ty						I	R
				(A)	(B)	(C)	(D)	(E)	(F)		
1	1	171350-13100	MANIFOLD, EXHAUST	1							
2	1	129150-13110	GASKET	1							
3	1	194990-22050	NUT, M8	2							
4	1	26106-080802	BOLT, M8X 80 PLATED	4							
5	1	26216-080222	STUD, M8X 22	4							
6	1	26216-080802	STUD, M8X 80	2							
7	1	124701-11911	GASKET, SILENCER	1							
8	1	129111-13350	FLANGE, EXHAUST	1							

Fig.8. CAMSHAFT & DRIVE GEAR

Y0004150
31N78L-RGNCH

029150-14100
029100-25101
029100-25200



(A)=3TN78L-RGN
(B)=
(C)=

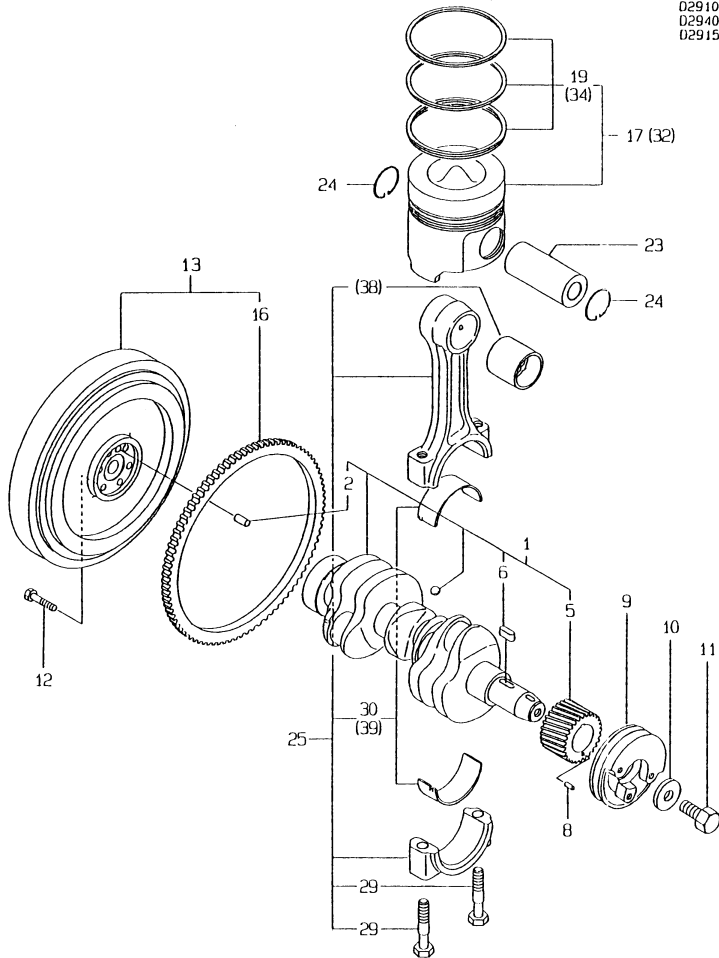
(D)=
(E)=
(F)=

No.	Lev.	Parts No.	Description	Q'ty						I	R
				(A)	(B)	(C)	(D)	(E)	(F)		
1	1	129150-14011	CAMSHAFT	1							
3	1	129150-14101	GEAR, CAMSHAFT	1							
4	1	129150-14200	TAPPET	6							
5	1	129150-14400	ROD, PUSH L=178	6							
6	1	22512-070140	KEY, 7X 14	1							
7	1	129100-25061	SHAFT, IDLE	1							
8	1	129150-25101	GEAR ASSY, IDLE	1							
11	1	26106-080452	BOLT, M8X 45 PLATED	2							
12	1	129100-25900	GEAR, PUMP	1							
13	1	22217-120000	WASHER, SPRING 12	1							
14	1	26716-120002	NUT, M12	1							

Fig.9. CRANKSHAFT & PISTON

Y00D4150
3TN78L-RGNCH

029100-21100
029100-21200
029100-21300
029403-22100
029150-23100



(A)=3TN78L-RGN

(B)=

(C)=

(D)=

(E)=

(F)=

No.	Lev.	Parts No.	Description	Q'ty						I	R
				(A)	(B)	(C)	(D)	(E)	(F)		
1	1	729102-21700	CRANKSHAFT ASSY	1							
2	2	129100-01580	PIN, M8X16	1							
5	2	129150-21200	GEAR, CRANKSHAFT	1							
6	2	22512-070140	KEY, 7X 14	1							
8	1	22351-040010	PIN, SPRING 4.0X10	1							
9	1	171340-21650	V-PULLEY	1							
10	1	129795-21661	WASHER	1							
11	1	121850-21680	BOLT	1							
12	1	121111-21501	BOLT, FLYWHEEL	6							
13	1	171340-21580	FLYWHEEL ASSY	1							
16	2	119865-21600	GEAR, RING	1							
17	1	129403-22090	PISTON ASSY	3							
19	2	729403-22500	RING SET, PISTON	3							
23	1	129150-22300	PIN, PISTON D26 L66	3							
24	1	121100-22400	CIRCLIP	6							
25	1	729402-23100	ROD ASSY, CONNECTING	3							
29	2	121550-23200	BOLT, CONNECTING ROD	6							
30	2	129150-23600	BEARING, CRANK PIN	3							
32	1	729403-22900	PISTON ASSY, 0.25 OS	3							1
34	2	729550-22950	RING SET, 0.25 OS	3							1
38	1	129100-23910	BEARING, PISTON PIN	3							2
39	1	129150-23610	BEARING, 0.25 US	3							3

Remarks

(1) OVER-SIZE(O.S=0.25)PART.

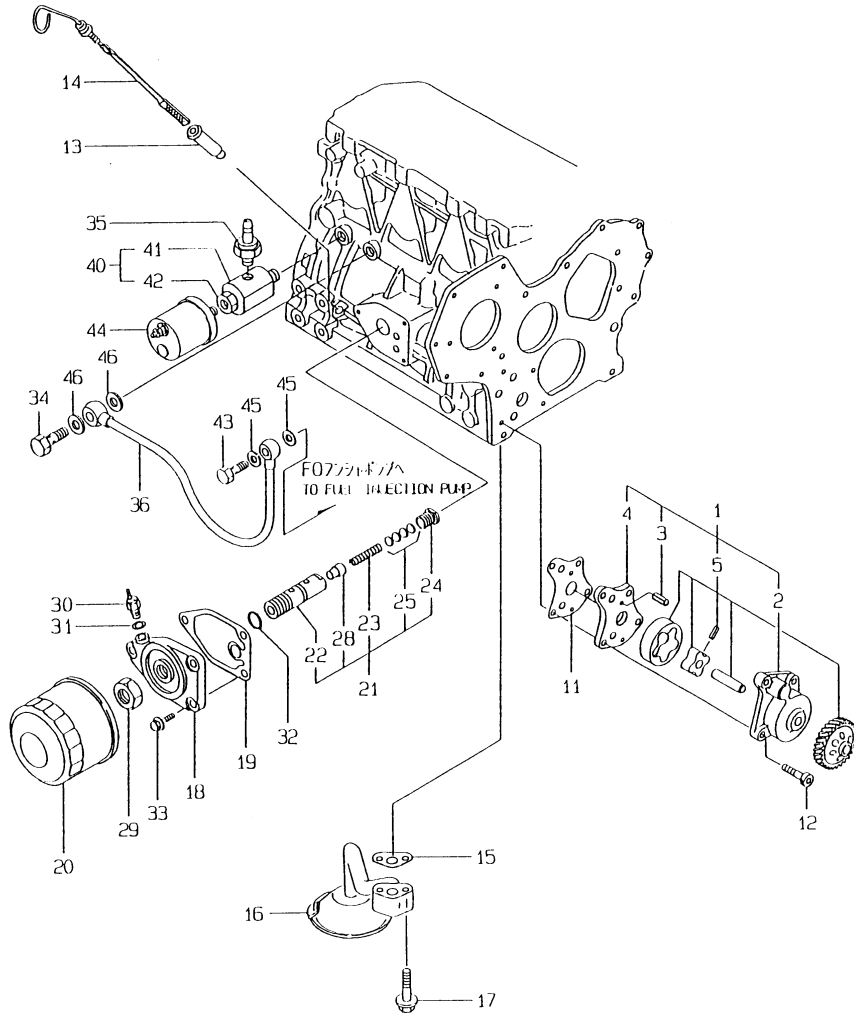
(2) REPAIR PART.

(3) UNDER-SIZE(U.S=0.25)PART.

Fig.10. LUB. OIL SYSTEM

Y00D4150
31N78L-RGNCH

029150-32100
029100-34100
029100-35110
U71375-35200
U71375-39110



(A)=3TN78L-RGN

(B)=

(C)=

(D)=

(E)=

(F)=

No.	Lev.	Parts No.	Description	Q'ty						I	R
				(A)	(B)	(C)	(D)	(E)	(F)		
1	1	129150-32000	PUMP ASSY, OIL	1							
3	2	121450-32060	PIN, 4X8	2							
4	2	129150-32080	COVER	1							
5	2	129150-32150	ROTOR ASSY	1							
11	1	129150-32020	GASKET, PUMP	1							
12	1	26450-060252	BOLT, M6X 25	4							
13	1	121520-34810	GUIDE, DIPSTICK	1							
14	1	171420-34820	DIPSTICK, OIL	1							
15	1	129150-35041	GASKET	1							
16	1	129100-35301	PIPE ASSY, OIL INLET	1							
17	1	26106-080352	BOLT, M8X 35 PLATED	2							
18	1	171375-35100	BRACKET, STRAINER	1							
19	1	129150-35111	GASKET	1							
20	1	129150-35150	FILTER 90X80L	1							
21	1	119865-35300	VALVE ASSY, CONTROL	1							
22	2	119865-35310	BODY	1							
23	2	119865-35320	SPRING	1							
24	2	119865-35330	RETAINER	1							
25	2	129150-35340	SHIM SET	1							
28	2	119865-35350	VALVE, CONTROL	1							
29	1	129150-35350	NUT	1							
30	1	124250-49351	SENSOR	1							
31	1	129150-49360	GASKET	1							
32	1	24311-000160	O-RING, 1AP16.0	1							
33	1	26106-080202	BOLT, M8X 20 PLATED	3							
34	1	124160-39140	BOLT, PIPE JOINT M10	1							
35	1	124160-39450	SWITCH, 0.5KG	1							
36	1	129150-39450	PIPE ASSY, OIL	1							
40	1	171375-39600	DAMPER ASSY	1							
41	2	129470-39610	DAMPER	1							
42	2	23161-020100	BUSH, R1/4X1/8	1							
43	1	124550-59820	BOLT, PIPE JOINT M8	1							
44	1	144626-91560	SENSOR	1							
45	1	23414-080000	GASKET, 8X1.0	2							
46	1	23414-100000	GASKET, 10X1.0	2							

Fig.11. COOLING WATER PUMP

(A)=3TN78L-RGN

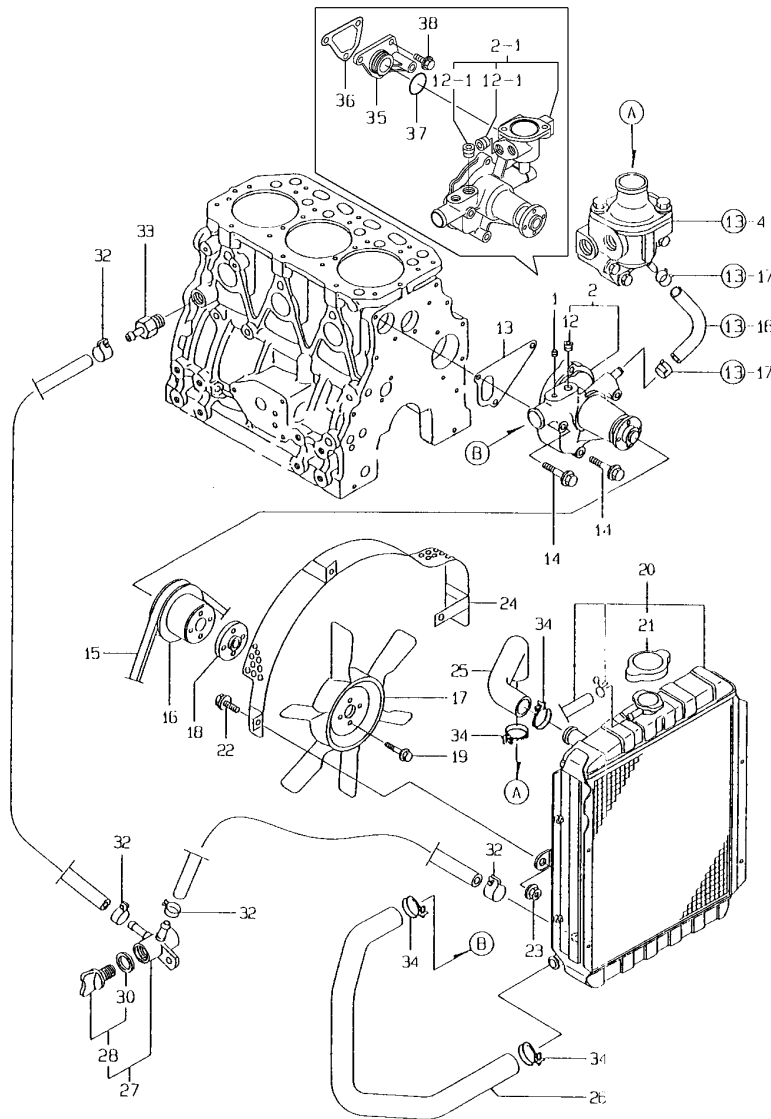
(B)=

(C)=

(D)=

(E)=

(F)=

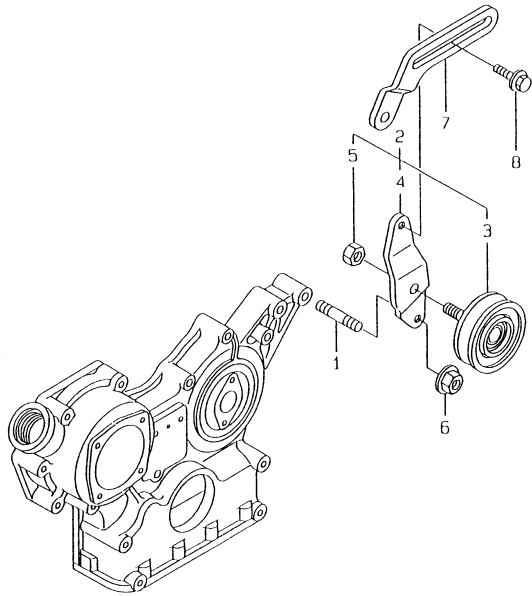


No.	Lev.	Parts No.	Description	(A)	(B)	(C)	(D)	(E)	(F)	Q'ty	I	R
1	1	121850-11860	PLUG, PT1/4	1								
2	1	129100-42002	PUMP ASSY, WATER	1								
2-1	1	129001-42001	PUMP ASSY, WATER	1							F	1
(A=EZZZZZ)												
12	2	23871-030000	PLUG, R03	1								
12-1	2	23871-030000	PLUG, R03	2								K
(A=EZZZZZ)												
13	1	129100-42020	GASKET, WATER PUMP	1								
14	1	26106-080602	BOLT, M8X 60 PLATED	3								
15	1	124732-42290	V-BELT, AX37	1								
16	1	129403-42380	V-PULLEY, D=110	1								
17	1	171340-44740	FAN, COOLING D335XNF	1								
18	1	124574-44761	SPACER, FAN	1								
19	1	26014-060252	BOLT, M6X 25	4								
20	1	171440-44500	RADIATOR	1								
21	2	123682-44210	CAP, RADIATOR	1								
22	1	26013-080142	BOLT, M8X 14	3								
23	1	26366-080002	NUT, M8	3								
24	1	129111-44560	PROTECTOR, FAN	1								
25	1	171301-49010	PIPE, WATER	1								
26	1	171301-49020	PIPE, WATER	1								
27	1	129150-49100	COCK ASSY, 3-WAY	1								
28	2	129150-49080	COCK, DRAIN	1								
30	3	119629-49080	GASKET	1								
32	1	124766-59050	CLIP, HOSE 12	4								
33	1	121550-49111	JOINT, PT1/4	1								
34	1	23010-038000	CLAMP, 38	4								
35	1	129001-42040	JOINT	1								W
(A=EZZZZZ)												
36	1	129100-49840	GASKET	1								W
(A=EZZZZZ)												
37	1	24321-000300	O-RING, 1AG30.0	1								W
(A=EZZZZZ)												
38	1	26106-080182	BOLT, M8X 18 PLATED	3								W
(A=EZZZZZ)												

Remarks

(1) Interchangeable by simultaneous replacement with Fig.12 Ref.No.7-1, Fig.13 Ref.No.1-1.

Fig.12. TENSION PULLEY

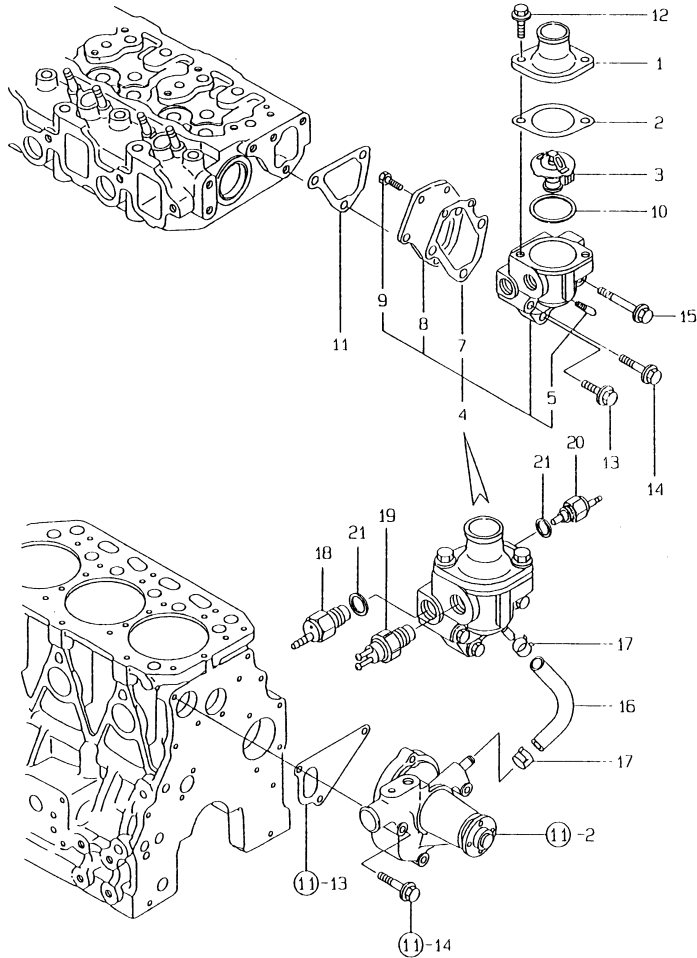


No.	Lev.	Parts No.	Description	Q'ty						I	R
				(A)	(B)	(C)	(D)	(E)	(F)		
1	1	121450-01570	STUD	1							
2	1	171375-44300	PULLEY ASSY, TENSION	1							
3	2	171011-44301	PULLEY, TENSION	1							
4	2	171375-44320	BRACKET, PULLEY	1							
5	2	26706-100002	NUT, M10	1							
6	1	26366-100002	NUT, M10	1							
7	1	129400-77330	ADJUSTER	1							
7-1	1	129410-77330	ADJUSTER	1						F	1
		(A=EZZZZZ)									
8	1	26014-080252	BOLT, M8X 25	1							

Remarks

(1) Interchangeable by simultaneous replacement with Fig.11 Ref.No.2-1, Fig.13 Ref.No.1-1.

Fig.13. THERMOSTAT



(A)=3TN78L-RGN

(B)=

(C)=

(D)=

(E)=

(F)=

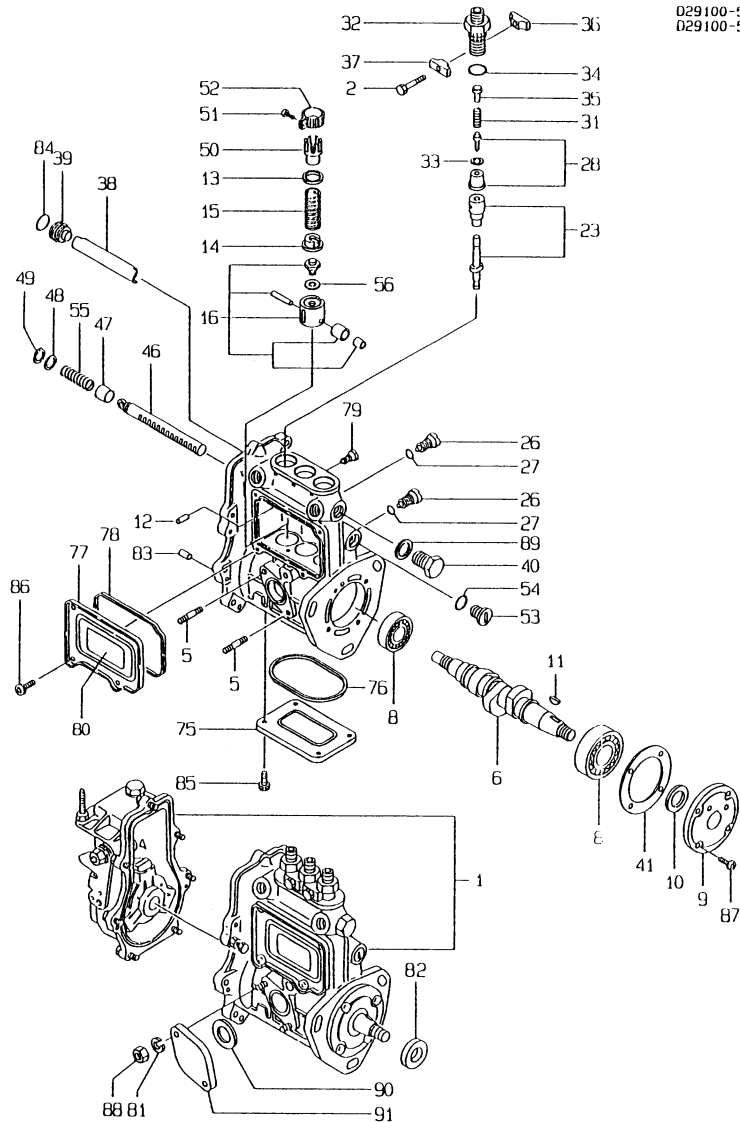
No.	Lev.	Parts No.	Description	Q'ty						I	R
				(A)	(B)	(C)	(D)	(E)	(F)		
1	1	129350-49530	COVER, THERMOSTAT	1							
1-1	1	129350-49560	COVER, THERMOSTAT	1							F 1
		(A=EZZZZZ)									
2	1	129795-49551	GASKET	1							
3	1	129155-49800	THERMOSTAT, 71	1							
4	1	171375-49800	CASE ASSY,THERMOSTAT	1							Z
		(A=EZZZZZ)									
5	2	124770-11770	JOINT, PIPE PT1/8	1							Z
		(A=EZZZZZ)									
7	2	129100-49820	GASKET	1							Z
		(A=EZZZZZ)									
8	2	129100-49830	COVER, THERMOSTAT	1							Z
		(A=EZZZZZ)									
9	2	26116-060162	BOLT, M6X 16 PLATED	2							Z
		(A=EZZZZZ)									
10	1	129150-49811	GASKET, THERMOSTAT	1							
11	1	129100-49840	GASKET	1							Z
		(A=EZZZZZ)									
12	1	26106-080202	BOLT, M8X 20 PLATED	2							
13	1	26106-080252	BOLT, M8X 25 PLATED	1							Z
		(A=EZZZZZ)									
14	1	26106-080502	BOLT, M8X 50 PLATED	1							Z
		(A=EZZZZZ)									
15	1	26106-080602	BOLT, M8X 60 PLATED	1							Z
		(A=EZZZZZ)									
16	1	129100-49050	PIPE, WATER	1							
16-1	1	129132-49050	PIPE, WATER	1							R
		(A=EZZZZZ)									
16-2	1	129132-49050	PIPE, WATER	1							Z
		(A=EZZZZZ)									
17	1	23000-016000	CLAMP, 16	2							Z
		(A=EZZZZZ)									
18	1	121250-44901	SWITCH, 110	1							
19	1	171375-44900	SWITCH, 15	1							
20	1	171375-44910	SENSOR	1							
21	1	124465-44950	GASKET, 16	2							

Remarks

(1) Interchangeable by simultaneous replacement with Fig.11 Ref.No.2-1, Fig.12 Ref.No.7-1.

Fig.14. FUEL INJECTION PUMP

Y0004150
31N78L-RGNCH



029100-51200
029100-52200

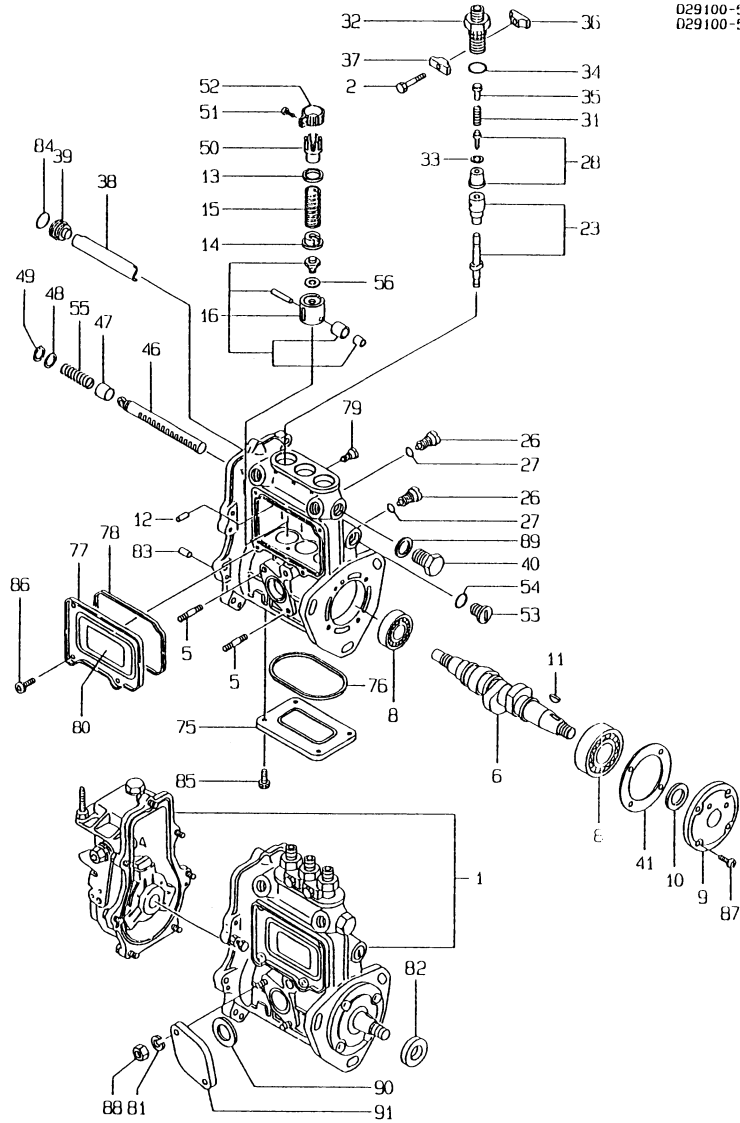
(A)=3TN78L-RGN
(B)=
(C)=

(D)=
(E)=
(F)=

No.	Lev.	Parts No.	Description	Q'ty						I	R
				(A)	(B)	(C)	(D)	(E)	(F)		
1	1	729111-51410	PUMP ASSY, INJECTION	1							1
2	2	26116-050302	BOLT, M5X 30 PLATED	2							
5	2	129155-51020	STUD	2							
6	2	119810-51040	CAMSHAFT	1							
8	2	122710-51050	BEARING, HR30203J	2							
9	2	129470-51060	RETAINER, BEARING	1							
10	2	129470-51080	SEAL, AF0741F0	1							
11	2	122710-51090	KEY	1							
12	2	129155-51140	PIN	3							
13	2	174307-51170	RETAINER, SPRING A	3							
14	2	129155-51180	RETAINER, SPRING	3							
15	2	124950-51190	SPRING, PLUNGER	3							
16	2	129155-51200	TAPPET ASSY	3							
23	2	129400-51200	PLUNGER ASSY	3							
26	2	129155-51270	STOPPER, TAPPET	3							
27	2	129155-51280	O-RING, S6	3							
28	2	128170-51300	VALVE ASSY, DELIVERY	3							
31	2	129155-51320	SPRING, DELIVERY	3							
32	2	129155-51340	RETAINER	3							
33	2	124550-51350	GASKET, DELIVERY	3							
34	2	124550-51370	O-RING	3							
35	2	129155-51370	STOPPER, VALVE	3							
36	2	129155-51380	STOPPER	2							
37	2	129155-51390	STOPPER	2							
38	2	129155-51400	DEFLECTOR	1							
39	2	129155-51410	BOLT	1							
40	2	129155-51420	PLUG, M16	1							
41	2	129155-51450	SHIM SET, ADJUSTING	1							
46	2	129155-51500	RACK, CONTROL	1							
47	2	129155-51521	BUSH, RACK	1							
48	2	129155-51530	SPACER	1							
49	2	129155-51540	CIRCLIP	1							
50	2	129155-51550	PINION, CONTROL	3							
51	2	122117-51560	SCREW	3							
52	2	174307-51560	PINION	3							
53	2	129155-51570	PLUG, M12	1							
54	2	129155-51580	O-RING	1							
55	2	129155-51591	SPRING, RACK	1							
56	2	129155-51600	SHIM SET, ADJUSTING	3							
75	2	129155-51700	COVER	1							
76	2	129155-51710	GASKET	1							
77	2	129155-51750	COVER	1							
78	2	129155-51760	GASKET	1							
79	2	129155-51790	STOOPER, RACK	1							
80	2	129156-51910	LABEL, CAUTION	1							
81	2	22217-060000	WASHER, SPRING 6	2							
82	2	22287-120000	WASHER, 12	1							
83	2	22351-050010	PIN, SPRING 5.0X10	2							
84	2	24341-000160	O-RING, 1AS16.0	1							
85	2	26022-050102	SCREW, M5X10	4							
86	2	26022-050102	SCREW, M5X10	4							

Fig.14. FUEL INJECTION PUMP

Y0004150
31N78L-RGNCH



029100-51200
029100-52200

(A)=3TN78L-RGN
(B)=
(C)=

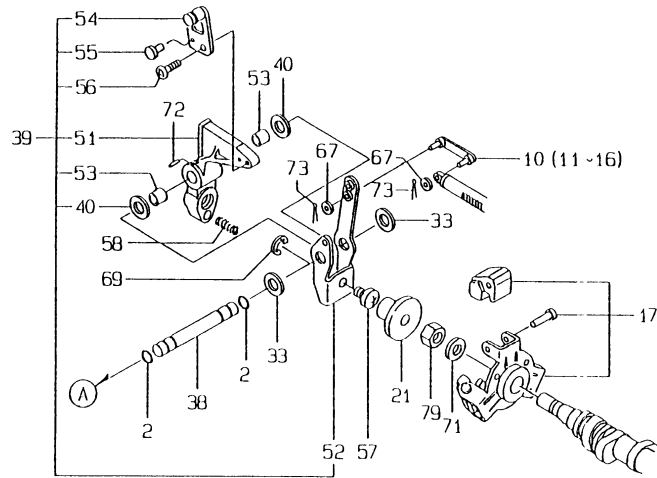
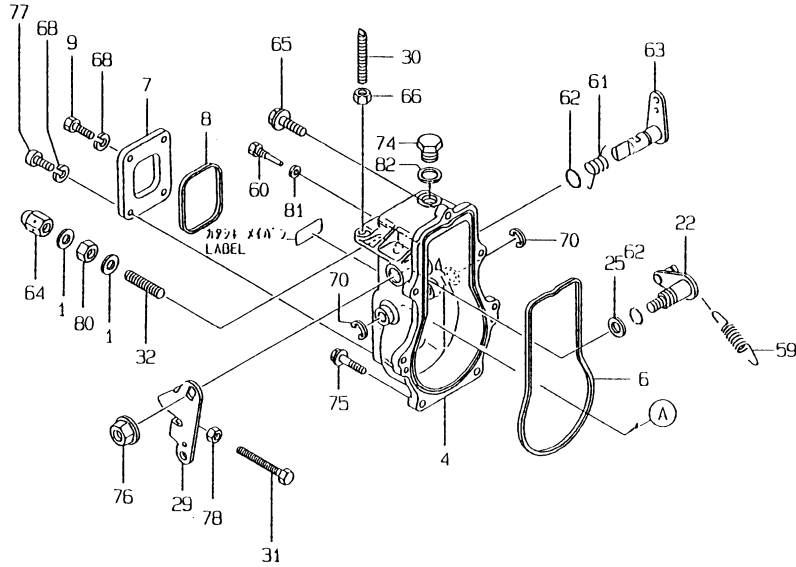
(D)=
(E)=
(F)=

No.	Lev.	Parts No.	Description	Q'ty						I	R
				(A)	(B)	(C)	(D)	(E)	(F)		
87	2	26022-060162	SCREW, M6X16	4							
88	2	26716-060002	NUT, M6	2							
89	2	43400-500490	SEAL WASHER 16	1							
90	2	129155-52050	GASKET	1							
91	2	129100-52200	COVER	1							

Fig.15. GEVERNOR

Y0004150
31N78L-RGNCH

029111-61310



(A)=3TN78L-RGN

(B)=

(C)=

(D)=

(E)=

(F)=

No.	Lev.	Parts No.	Description	Q'ty						I	R
				(A)	(B)	(C)	(D)	(E)	(F)		
1	1	43400-500450	SEAL WASHER 12	2							
2	1	129155-51280	O-RING, S6	2							
4	1	129155-61011	CASE, GOVERNOR	1							
6	1	129155-61050	GASKET	1							
7	1	129155-61060	COVER, GOVERNOR CASE	1							
8	1	129155-61070	GASKET	1							
9	1	129155-61090	BOLT	1							
10	1	129155-61120	LINK, L=30 MARK 0	1							
11	1	129155-61130	LINK, L=31 MARK 1	1							
12	1	129155-61140	LINK, L=30.5 MARK 05	1							
13	1	129155-61150	LINK, L=33	1							
14	1	129155-61160	LINK, L=34 MARK4	1							
15	1	129155-61170	LINK, L=28 MARK 8	1							
16	1	129155-61180	LINK, L=29 MARK 9	1							
17	1	129155-61201	WEIGHT ASSY,GOVERNOR	1							
21	1	129155-61341	SLEEVE	1							
22	1	129100-61400	SHAFT ASSY	1							
25	1	129155-61430	SPACER	1							
29	1	171488-61440	LEVER, CONTROL	1							
30	1	129155-61450	BOLT, LIMITER	1							
31	1	129155-61460	BOLT, IDLE	1							
32	1	129155-61470	BOLT, CONTROL	1							
33	1	129155-61480	SPACER ASSY	2							
38	1	129155-61490	SHAFT	1							
39	1	129100-61500	LEVER ASSY, GOVERNOR	1							
40	2	174307-51700	SHIM SET	2							
51	2	129100-61510	LEVER, TENSION	1							
52	2	129155-61520	LEVER, GOVERNOR	1							
53	2	129155-61530	BUSH	2							
54	2	129100-61910	HOOK	1							
55	2	129100-61920	PIN	1							
56	2	26022-060122	SCREW, M6X12	1							
57	1	129155-61540	SHIFTER	1							
58	1	129500-61650	SPRING, FUEL CONTROL	1							
59	1	129500-61700	SPRING, GOVERNOR	1							
60	1	129155-61810	PIN	1							
61	1	129100-61821	SPRING, RETURN	1							
62	1	129155-61830	O-RING, S10	3							
63	1	129155-61845	LEVER, STOP	1							
64	1	129100-61930	NUT, CAP	1							
65	1	129155-61950	BOLT	1							
66	1	124550-66370	NUT, M6	1							
67	1	22117-040000	WASHER, 4	2							
68	1	22217-050000	WASHER, SPRING 5	4							
69	1	22272-000040	RING, E- 4	1							
70	1	22272-000060	RING, E- 6	2							
71	1	22287-120000	WASHER, 12	1							
72	1	22351-030016	PIN, SPRING 3.0X16	1							
73	1	22372-040000	PIN, SNAP 4	2							
74	1	23887-100002	PLUG, 10	1							
75	1	26106-060202	BOLT, M6X 20 PLATED	6							

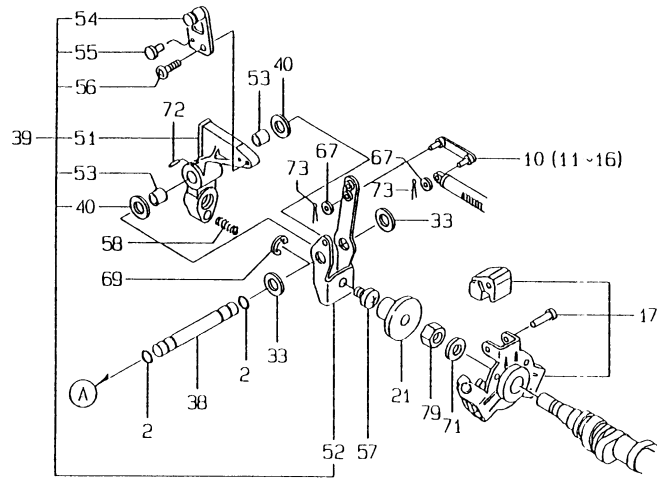
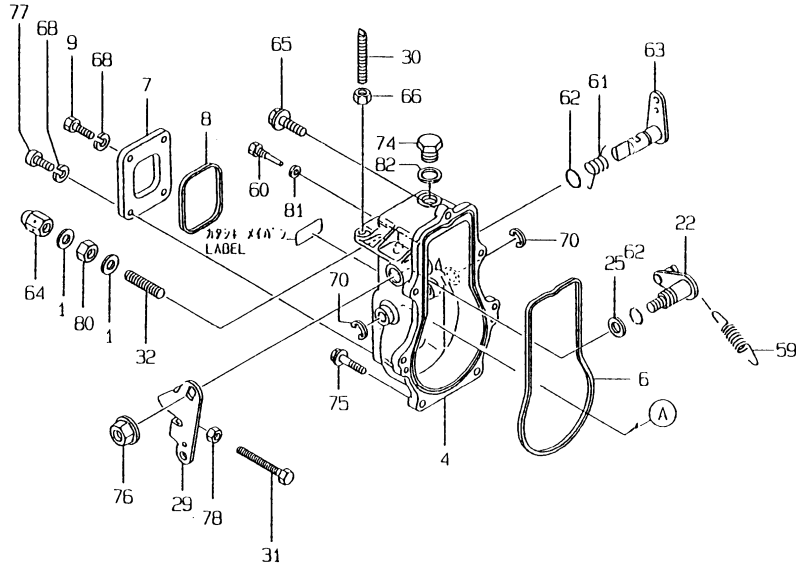
Fig.15. GEVERNOR

(A)=3TN78L-RGN
(B)=
(C)=

(D)=
(E)=
(F)=

Y0004150
31N78L-RGNCH

029111-61310

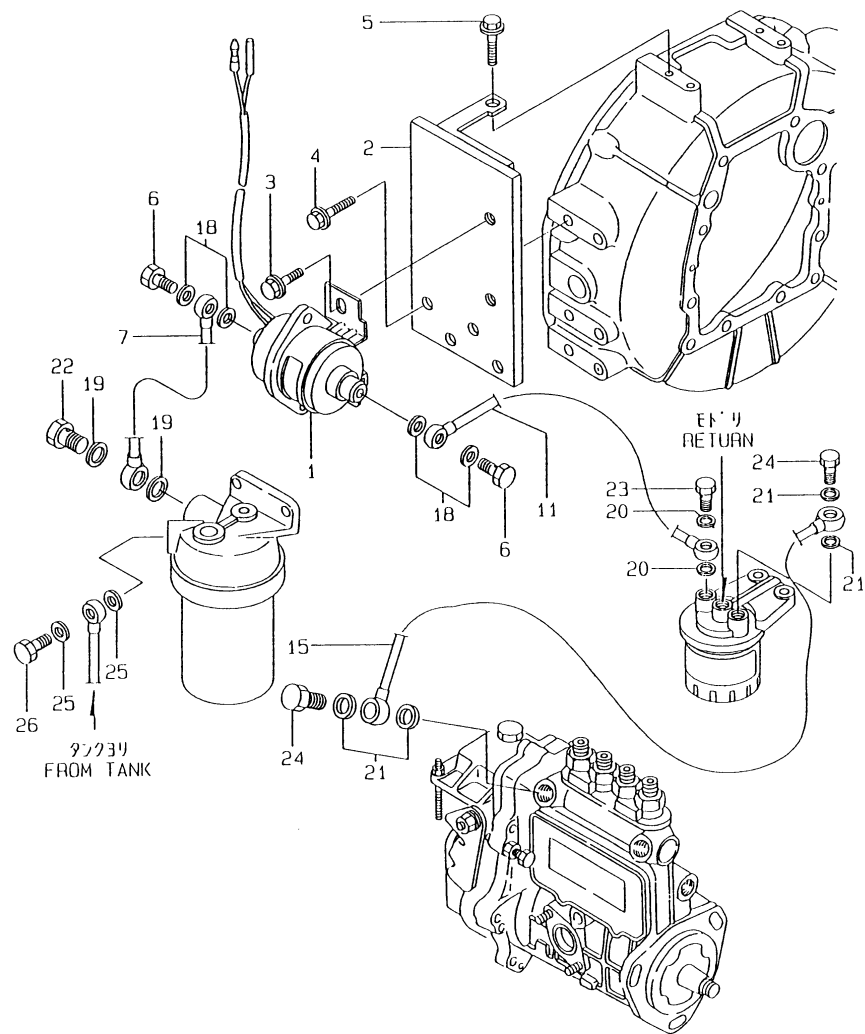


No.	Lev.	Parts No.	Description	Q'ty						I	R
				(A)	(B)	(C)	(D)	(E)	(F)		
76	1	26366-080002	NUT, M8	1							
77	1	26557-050102	SCREW, M5X10	3							
78	1	26756-060002	NUT, LOCK M6	2							
79	1	26776-120002	NUT, LOCK M12	1							
80	1	26777-120002	NUT, LOCK M12	1							
81	1	43400-500390	SEAL WASHER 6	1							
82	1	43400-500430	SEAL WASHER 10	1							

Fig.16. FEED PUMP

Y00D4150
3TN78L-RGNCH1

U71335-52100
U71375-59201

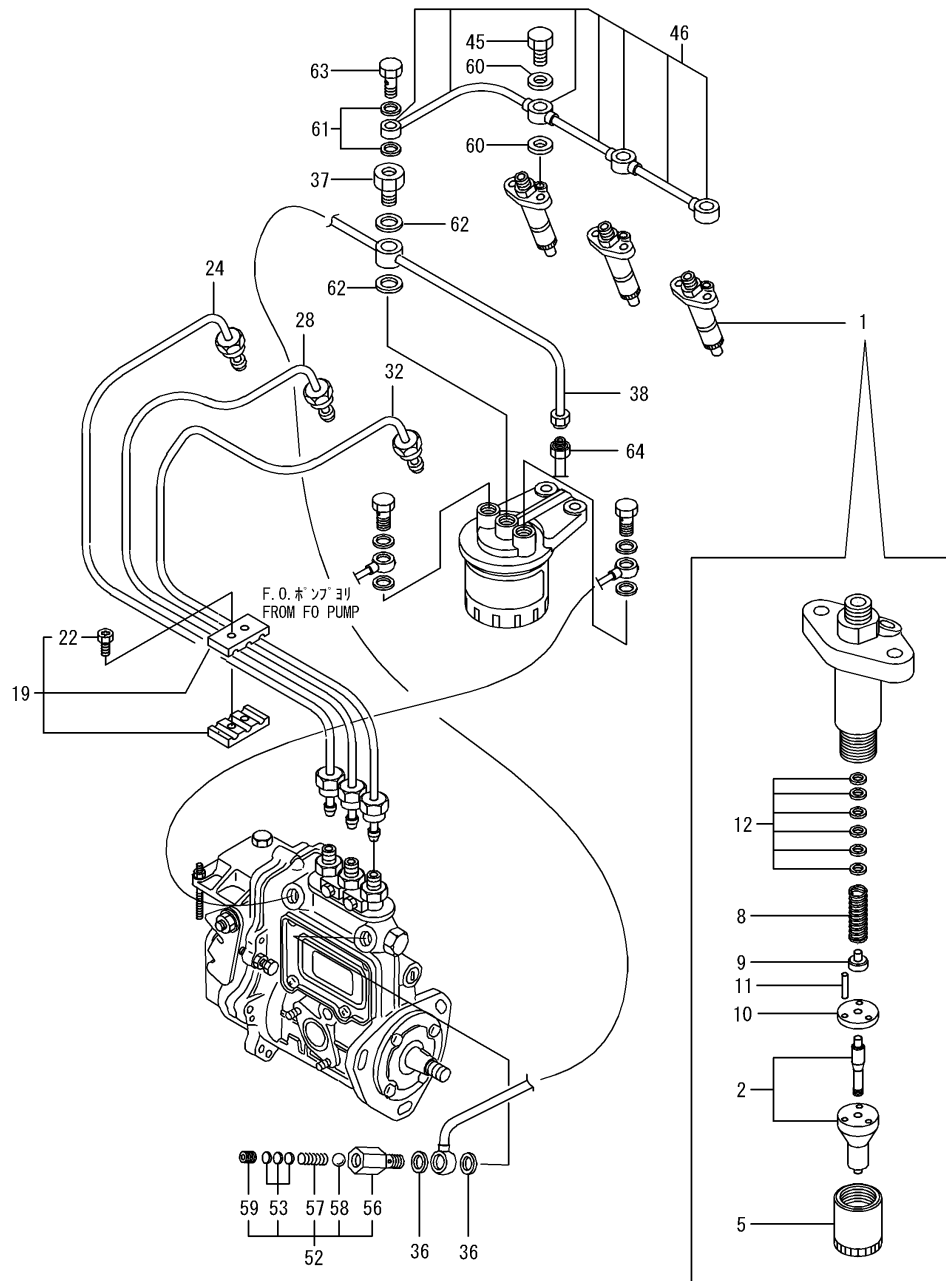


(A)=3TN78L-RGN
(B)=
(C)=

(D)=
(E)=
(F)=

No.	Lev.	Parts No.	Description	Q'ty						I	R
				(A)	(B)	(C)	(D)	(E)	(F)		
1	1	124790-52201	PUMP ASSY, FUEL FEED	1							
2	1	171375-52500	BRACKET, PUMP	1							
3	1	26106-060102	BOLT, M6X 10 PLATED	2							
4	1	26106-080162	BOLT, M8X 16 PLATED	2							
5	1	26106-100162	BOLT, M10X 16 PLATED	1							
6	1	105582-59150	BOLT, PIPE JOINT	2							
7	1	171375-59500	PIPE ASSY, FUEL	1							
11	1	171375-59511	PIPE ASSY, FUEL	1							
15	1	171375-59521	PIPE ASSY, FUEL	1							
18	1	23414-080012	GASKET, 8X1.0	4							
19	1	23414-120000	GASKET, 12X1.0	2							
20	1	23414-120000	GASKET, 12X1.0	2							
21	1	23414-120000	GASKET, 12X1.0	4							
22	1	23857-060000	BOLT, JOINT 6	1							
23	1	23857-060000	BOLT, JOINT 6	1							
24	1	23857-060000	BOLT, JOINT 6	2							
25	1	23414-120000	GASKET, 12X1.0	2							
26	1	23857-060000	BOLT, JOINT 6	1							

Fig.17. FUEL INJECTION VALVE



(A)=3TN78L-RGN

(B)=

(C)=

(D)=

(E)=

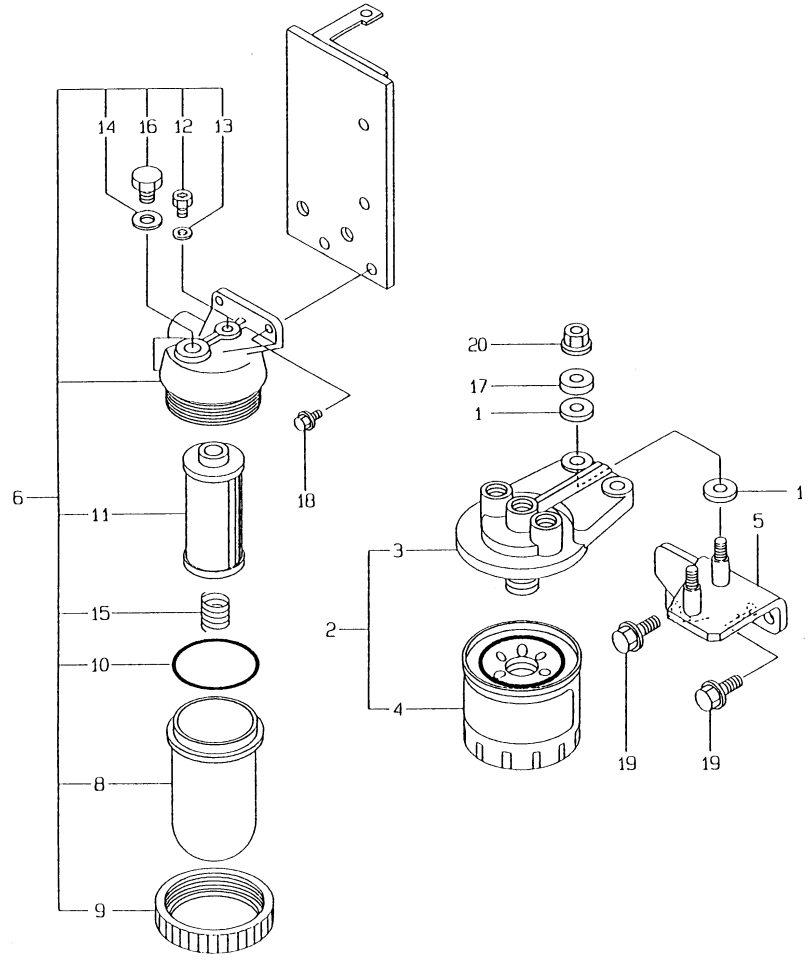
(F)=

No.	Lev.	Parts No.	Description	Q'ty						I	R
				(A)	(B)	(C)	(D)	(E)	(F)		
1	1	729100-53300	VALVE ASSY,INJECTION	3							
2	2	129100-53000	VALVE ASSY,INJECTION	3							
5	2	114250-53080	NUT, NOZZLE D16.95	3							
8	2	114250-53120	SPRING, NOZZLE	3							
9	2	114250-53130	SEAT, SPRING	3							
10	2	114250-53140	PLATE	3							
11	2	114250-53210	PIN	6							
12	2	114250-53400	SHIM SET	3							
19	1	129150-59120	RETAINER, PIPE	1							
22	2	129150-59130	BOLT, M4X12	2							
24	1	129100-59810	PIPE ASSY, INJECTION	1							
24-1	1	129100-59811	PIPE ASSY, INJECTION	1							N
(A=E07101)											
28	1	129100-59820	PIPE ASSY, INJECTION	1							
28-1	1	129100-59821	PIPE ASSY, INJECTION	1							N
(A=E07101)											
32	1	129100-59830	PIPE ASSY, INJECTION	1							
32-1	1	129100-59831	PIPE ASSY, INJECTION	1							N
(A=E07101)											
36	1	104200-59170	GASKET, 12	2							
37	1	129495-59300	BOLT, PIPE JOINT	1							
38	1	171375-59530	PIPE ASSY, FUEL	1							
45	1	129491-59540	BOLT, PIPE JOINT M6	3							
46	1	171375-59551	PIPE ASSY, RETURN	1							
52	1	129100-59951	VALVE ASSY, CHECK	1							
53	2	129100-59850	SHIM SET	1							
56	2	129100-59961	BODY, VALVE	1							
57	2	129100-59970	SPRING	1							
58	2	24190-080001	BALL, STEEL 1/4	1							
59	2	27241-100000	PLUG, 10	1							
60	1	23414-060000	GASKET, 6X1.0	6							
61	1	23414-080012	GASKET, 8X1.0	2							
62	1	23414-140000	GASKET, 14X1.0	2							
63	1	23851-030000	JOINT BOLT 3	1							
64	1	43551-001451	UNION 8(M)	1							

Fig.18. FUEL FILTER

Y0004150
3TN7DL-RGNCH

U71375-55101



(A)=3TN78L-RGN
(B)=
(C)=

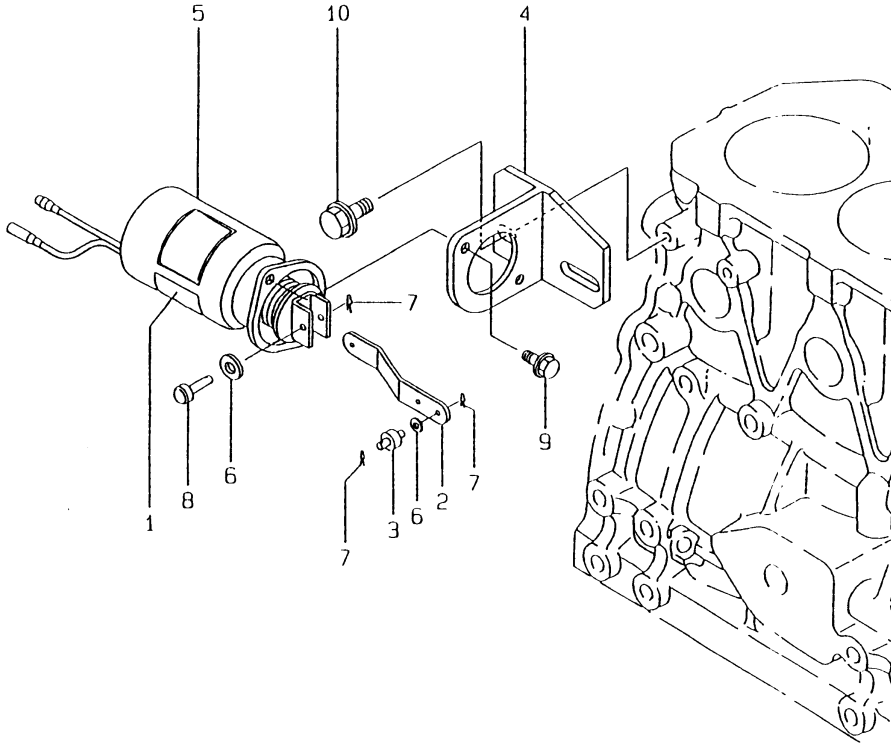
(D)=
(E)=
(F)=

No.	Lev.	Parts No.	Description	Q'ty						I	R
				(A)	(B)	(C)	(D)	(E)	(F)		
1	1	160610-55460	INSULATOR	4							
2	1	129470-55601	FILTER ASSY, FUEL	1							
3	2	129470-55610	BODY, STRAINER	1							
4	2	129470-55701	STRAINER ASSY, FUEL	1							
5	1	171375-55612	BRACKET, STRAINER	1							
6	1	171081-55900	FILTER ASSY, PRE	1							
8	2	121370-55730	CUP, STRAINER	1							
9	2	110250-55610	RING, RETAINING	1							
10	2	103854-32050	O-RING	1							
11	2	171081-55910	SCREEN	1							
12	2	101720-55750	PLUG, 6	1							
13	2	23418-060000	GASKET, 6X1.0	1							
14	2	23414-080012	GASKET, 8X1.0	1							
15	2	121257-55720	SPRING	1							
16	2	101720-55750	PLUG, 6	1							
17	1	121236-77340	SPACER	2							
18	1	26106-060142	BOLT, M6X 14 PLATED	2							
19	1	26106-080162	BOLT, M8X 16 PLATED	2							
20	1	26366-080002	NUT, M8	2							

Fig.19. ENGINE STOPPING DEVICE

Y00D4150
3TN7DL-RGNCH

U71335-65100



(A)=3TN78L-RGN
(B)=
(C)=

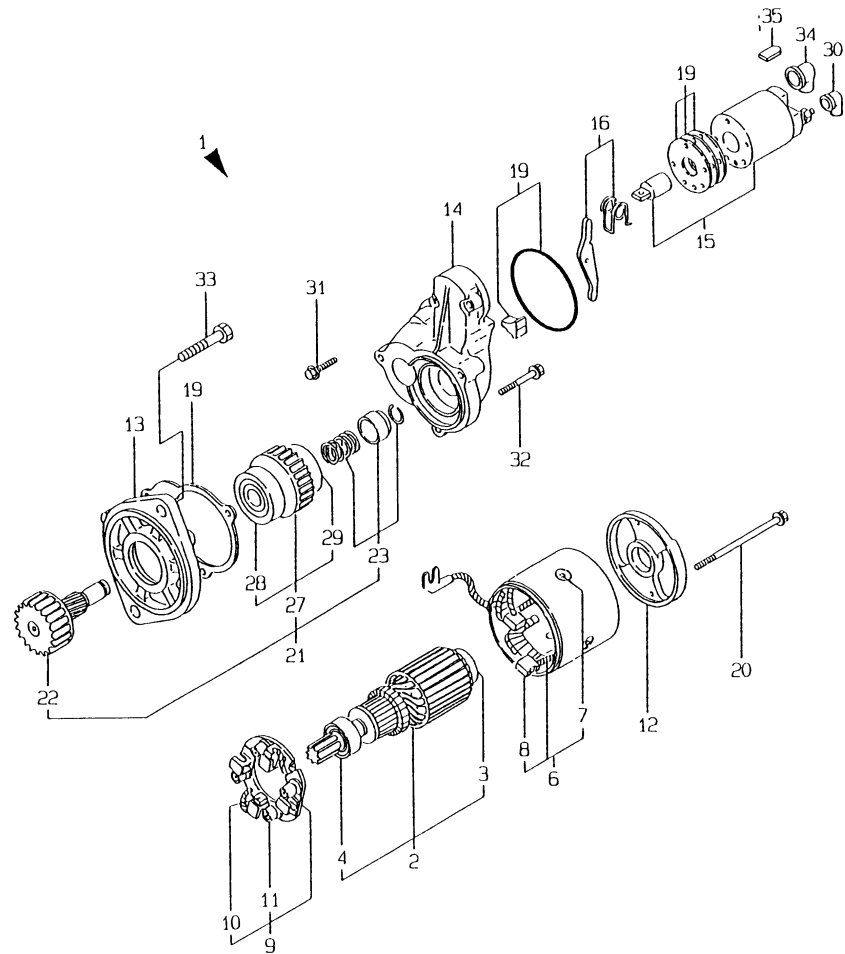
(D)=
(E)=
(F)=

No.	Lev.	Parts No.	Description	Q'ty						I	R
				(A)	(B)	(C)	(D)	(E)	(F)		
1	1	171010-65100	LABEL	1							
2	1	171335-65110	LINK, SOLENOID	1							
3	1	171335-65120	PIN	1							
4	1	171335-65130	BRACKET, SOLENOID	1							
5	1	171335-77951	SOLENOID, MAGNETIC	1							
6	1	22117-050000	WASHER, 5	1							
7	1	22360-050000	SNAP PIN 5	3							
8	1	22487-050160	PIN, H 5X 16	1							
9	1	26106-060122	BOLT, M6X 12 PLATED	2							
10	1	26106-080142	BOLT, M8X 14 PLATED	2							

Fig.20. STARTING MOTOR

Y00D4150
3TN78L-RGNCH

029100-77100
029111-93110



(A)=3TN78L-RGN
(B)=
(C)=

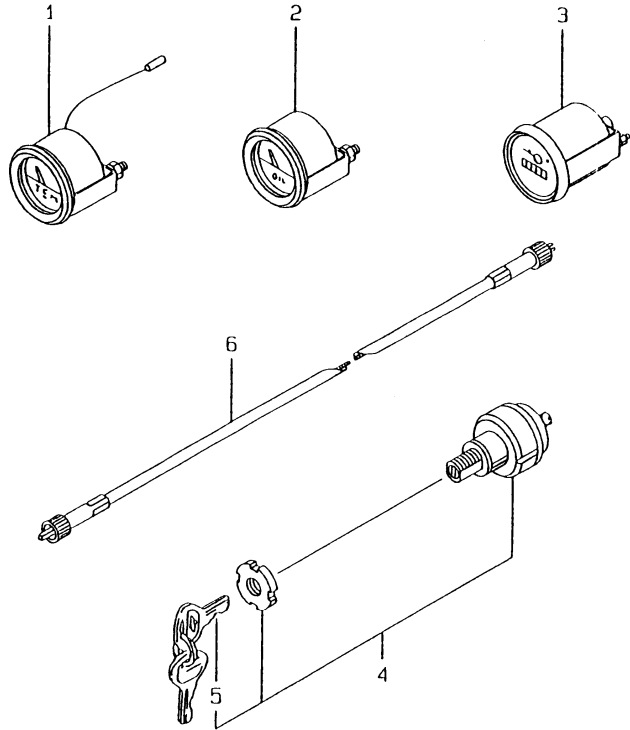
(D)=
(E)=
(F)=

No.	Lev.	Parts No.	Description	Q'ty						I	R
				(A)	(B)	(C)	(D)	(E)	(F)		
1	1	171008-77010	STARTER, S114-483	1							
2	2	171008-77400	ARMATURE ASSY	1							
3	3	171008-77410	BEARING(1)	1							
4	3	171008-77420	BEARING(2)	1							
6	2	171008-77440	COIL ASSY, FIELD	1							
7	3	171008-77450	SCREW	4							
8	3	171008-77460	BRUSH (+)	2							
9	2	171008-77470	HOLDER ASSY, BRUSH	1							
10	3	171008-77480	BRUSH (-)	2							
11	3	171008-77490	SPRING, BRUSH	4							
12	2	171008-77500	COVER, REAR	1							
13	2	171008-77510	HOUSING ASSY, GEAR	1							
14	2	171008-77520	HOUSING, CENTER	1							
15	2	171008-77530	SWITCH, MAGNETIC	1							
16	2	171008-77540	LEVER SET, SHIFT	1							
19	2	171008-77571	DUST COVER,(NON-ASB.	1							
20	2	171008-77640	BOLT, THROUGH	2							
21	2	171008-77650	PINION ASSY	1							
22	3	171008-77660	SHAFT, PINION	1							
23	3	171008-77670	STOPPER SET, PINION	1							
27	3	171008-77720	CLUTCH ASSY	1							
28	4	171008-77730	BALL BEARING (3)	1							
29	4	171008-77740	BALL BEARING (4)	1							
30	2	171008-77750	COVER, M TERMINAL	1							
31	2	26106-060322	BOLT, M6X 32 PLATED	2							
32	2	26106-060402	BOLT, M6X 40 PLATED	3							
33	1	26116-120252	BOLT, M12X 25 PLATED	2							
34	1	124550-77030	COVER, TERMINAL	1							
35	1	171021-77990	CONNECTOR	1							

Fig.21. ELECTRIC PARTS

Y00D4150
3TN78L-RGNCH

029111-93110



(A)=3TN78L-RGN
(B)=
(C)=

(D)=
(E)=
(F)=

No.	Lev.	Parts No.	Description	Q'ty						I	R
				(A)	(B)	(C)	(D)	(E)	(F)		
1	1	171010-77850	THERMOSTAT	2							
2	1	171090-91010	GAUGE	1							
3	1	171014-91101	TACHOMETER	1							
4	1	121400-91251	SWITCH, STARTER	1							
5	2	121400-91271	KEY, SWITCH	1							
6	1	42130-502220	CABLE, TACHOMETER	1							

Fig.22. GASKET SET & TOOLS

(A)=3TN78L-RGN

(B)=

(C)=

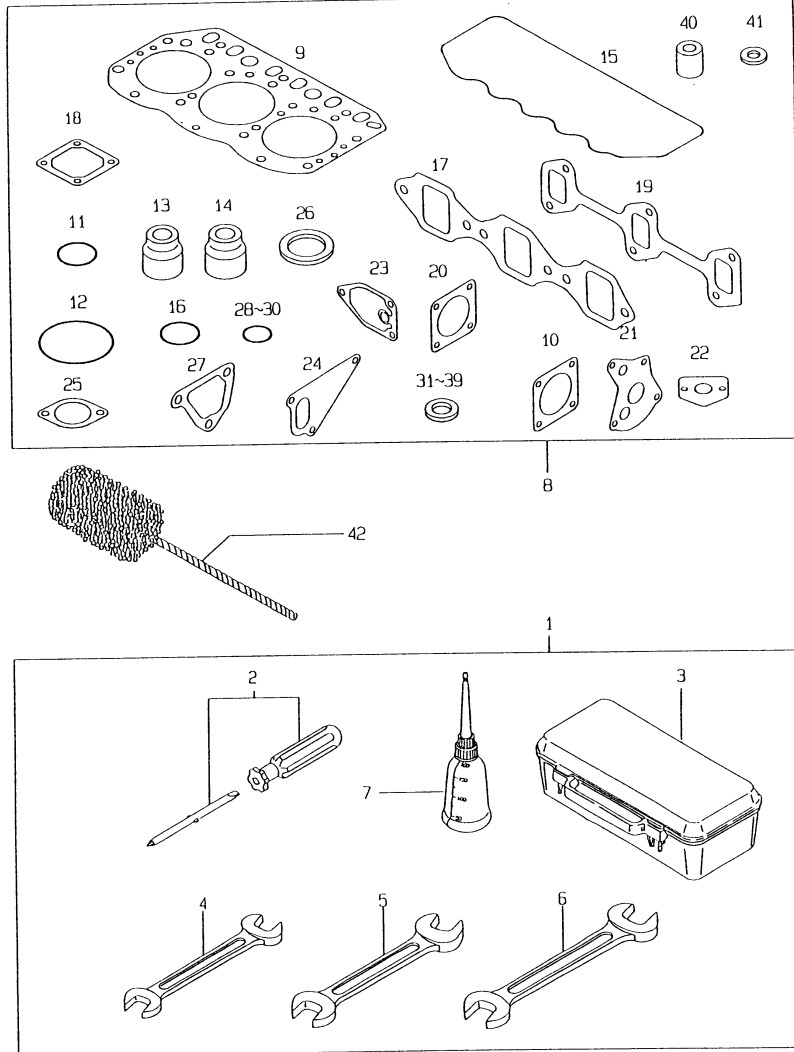
(D)=

(E)=

(F)=

Y0004150
31N78L-RGNCH

029111-93110



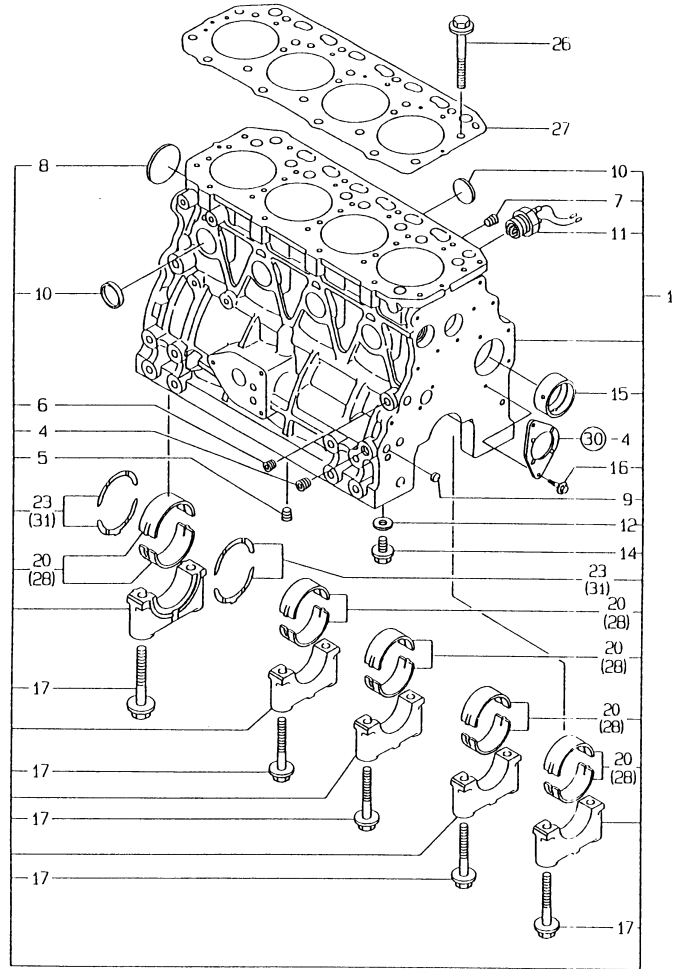
No.	Lev.	Parts No.	Description	Q'ty						I	R
				(A)	(B)	(C)	(D)	(E)	(F)		
1	1	171001-93100	BOX, TOOL	1							
2	2	104200-92350	DRIVER, SCREW	1							
3	2	104200-92600	BOX, TOOL	1							
4	2	28110-100120	SPANNER, 10X12	1							
5	2	28110-140170	SPANNER, 14X17	1							
6	2	28110-190220	SPANNER, 19X22	1							
7	2	28210-000140	OILER	1							
8	1	729100-92600	GASKET SET	1							1
9	2	129100-01330	GASKET, HEAD T=1.4	1							
10	2	124240-01883	GASKET	1							
11	2	121850-51960	O-RING	1							
12	2	24311-000320	O-RING, 1AP32.0	2							
13	2	121400-11340	SEAL, VALVE STEM	3							
14	2	124460-11340	SEAL, VALVE STEM	3							
15	2	129150-11310	GASKET, BONNET	1							
16	2	24341-000500	O-RING, 1AS50.0	1							
17	2	129150-12111	GASKET, MANIFOLD	1							
18	2	129150-77511	GASKET	1							
19	2	129150-13110	GASKET	1							
20	2	124701-11911	GASKET, SILENCER	1							
21	2	129150-32020	GASKET, PUMP	1							
22	2	129150-35041	GASKET	1							
23	2	129150-35111	GASKET	1							
24	2	129100-42020	GASKET, WATER PUMP	1							
25	2	129795-49551	GASKET	1							
26	2	129150-49811	GASKET, THERMOSTAT	1							
27	2	129100-49840	GASKET	1							
28	2	24311-000160	O-RING, 1AP16.0	3							
29	2	24341-000240	O-RING, 1AS24.0	2							
30	2	24311-000120	O-RING, 1AP12.0	3							
31	2	23414-060000	GASKET, 6X1.0	6							
32	2	23414-080000	GASKET, 8X1.0	2							
33	2	23414-100000	GASKET, 10X1.0	2							
34	2	124465-44950	GASKET, 16	2							
35	2	104200-59170	GASKET, 12	2							
36	2	23414-120000	GASKET, 12X1.0	10							
37	2	129150-49360	GASKET	1							
38	2	23414-080012	GASKET, 8X1.0	6							
39	2	23414-140000	GASKET, 14X1.0	2							
40	2	119625-11870	PROTECTOR, NOZZLE	3							
41	2	119625-11880	SEAT, NOZZLE	3							
42	1	129400-92420	FLEX HORN	1							1

Remarks
(1) OPTIONAL PART.

Fig.23. CYLINDER BLOCK

Y00D4150
4TN78L-RGNCH

029411-01110
029400-01020
029150-02100
029150-02200



(A)=
(B)=4TN78L-RGN
(C)=

(D)=
(E)=
(F)=

No.	Lev.	Parts No.	Description	Q'ty						I	R	
				(A)	(B)	(C)	(D)	(E)	(F)			
1	1	729400-01560	BLOCK ASSY, CYLINDER		1							
4	2	124160-01910	PLUG, PT1/4		2							
5	2	124160-01910	PLUG, PT1/4		1							
6	2	23871-010000	PLUG, R01		1							
7	2	23871-030000	PLUG, R03		1							
8	2	27231-500000	PLUG 50		1							
9	2	27241-120000	PLUG, 12		2							
10	2	27241-300000	PLUG 30		8							
11	2	46150-504600	HEATER		1							
11-1	2	124097-77900	HEATER,COOLING WATER		1							N
		(B=*2001.09.)										
12	2	23414-080000	GASKET, 8X1.0		4							
14	2	26106-080122	BOLT, M8X 12 PLATED		4							
15	2	129795-02411	BUSH, CAMSHAFT		1							
16	2	26106-080162	BOLT, M8X 16 PLATED		2							
17	2	129150-02020	BOLT, METAL CAP		10							
20	2	129150-02800	BEARING, MAIN		5							
23	2	129150-02930	BEARING, THRUST		2							
26	1	129150-01200	BOLT, HEAD		18							
27	1	129555-01332	GASKET, HEAD		1							
28	1	129150-02870	BEARING, 0.25 US		5							1
31	1	129150-02940	BEARING, THRUST 0.25		2							2

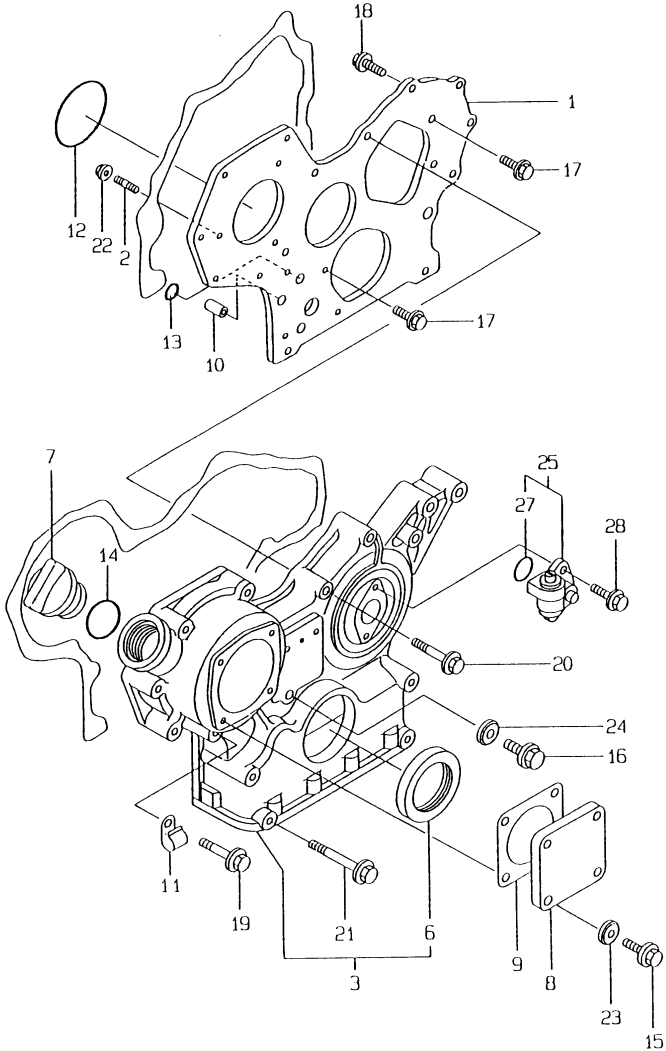
Remarks

- (1) UNDER-SIZE(U.S=0.25)PART.
- (2) OVER-SIZE(O.S=0.25)PART.

Fig.24. GEAR HOUSING

Y0004150
4TN78L-RGNCH

029400-01220
029150-91100



(A)=
(B)=4TN78L-RGN
(C)=

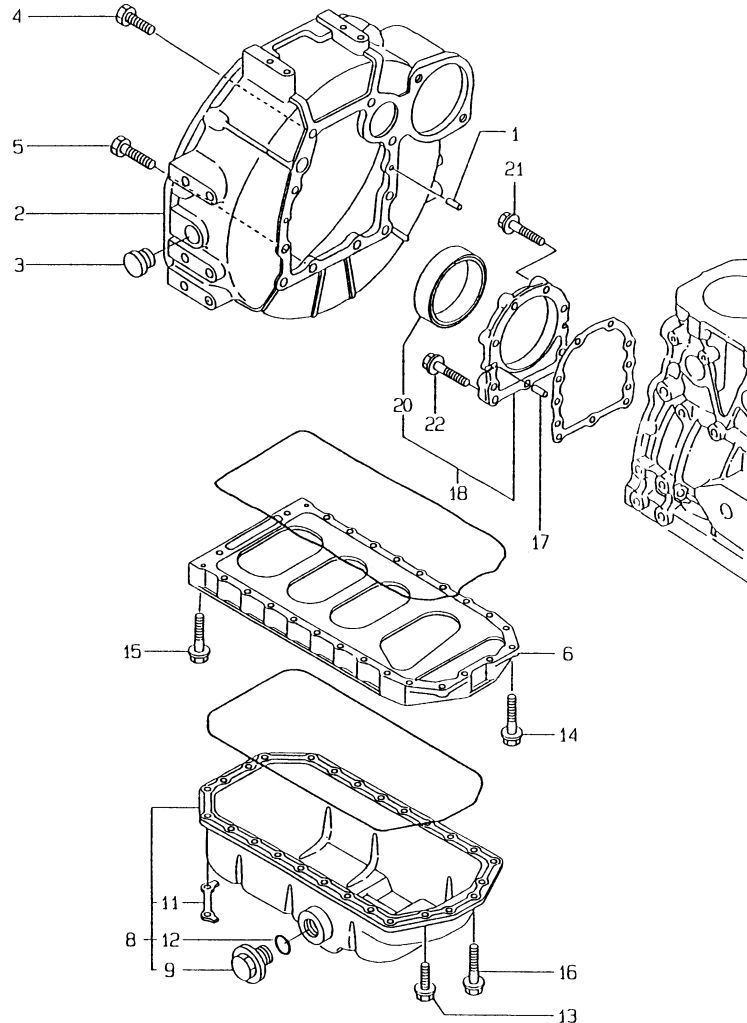
(D)=
(E)=
(F)=

No.	Lev.	Parts No.	Description	Q'ty						I	R
				(A)	(B)	(C)	(D)	(E)	(F)		
1	1	129400-01520	FLANGE, GEAR CASE		1						
2	1	121450-01560	STUD, M8X22		3						
3	1	129400-01590	CASE ASSY, GEAR		1						
6	2	129795-01800	SEAL, OIL		1						
7	1	124160-01751	COVER, FILLER		1						
8	1	124240-01871	COVER		1						
9	1	124240-01883	GASKET		1						
10	1	129795-01950	PIPE, KNOCK L=18		2						
11	1	129150-03100	RETAINER, PIPE		1						
12	1	121850-51960	O-RING		1						
13	1	24311-000160	O-RING, 1AP16.0		2						
14	1	24311-000320	O-RING, 1AP32.0		1						
15	1	26106-080122	BOLT, M8X 12 PLATED		4						
16	1	26106-080162	BOLT, M8X 16 PLATED		1						
17	1	26106-080162	BOLT, M8X 16 PLATED		3						
18	1	26106-080202	BOLT, M8X 20 PLATED		2						
19	1	26106-080452	BOLT, M8X 45 PLATED		6						
20	1	26106-080552	BOLT, M8X 55 PLATED		3						
21	1	26106-080852	BOLT, M8X 85 PLATED		4						
22	1	26366-080002	NUT, M8		3						
23	1	43400-500410	SEAL WASHER 8		4						
24	1	43400-500410	SEAL WASHER 8		1						
25	1	129150-91400	GEAR		1						
27	2	24341-000240	O-RING, 1AS24.0		1						
28	1	26106-060162	BOLT, M6X 16 PLATED		2						

Fig.25. FLYWHEEL HOUSING & OIL SUMP

Y0004150
4TN78L-RGNCH

029100-01310
029400-01410
029100-01510



(A)=
(B)=4TN78L-RGN
(C)=

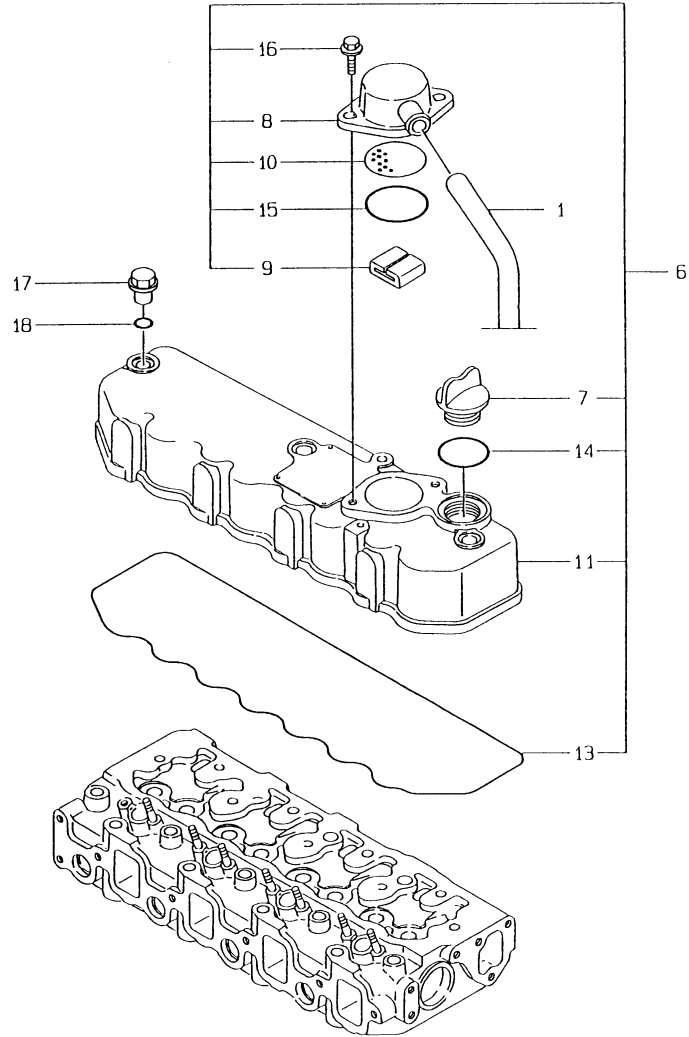
(D)=
(E)=
(F)=

No.	Lev.	Parts No.	Description	Q'ty						I	R
				(A)	(B)	(C)	(D)	(E)	(F)		
1	1	129100-01580	PIN, M8X16		2						
2	1	171301-01600	HOUSING, FLYWHEEL		1						
3	1	119620-01750	CAP		1						
4	1	26206-100252	BOLT, M10X 25 PLATED		6						
5	1	26206-100302	BOLT, M10X 30 PLATED		4						
6	1	129400-01730	SPACER, OIL SUMP		1						
8	1	129400-01770	SUMP ASSY, OIL		1						
9	2	171301-01640	PLUG, 22		1						
11	2	129100-01790	RETAINER		2						
12	2	24341-000240	O-RING, 1AS24.0		1						
13	1	26106-080162	BOLT, M8X 16 PLATED		4						
14	1	26106-080252	BOLT, M8X 25 PLATED		2						
15	1	26106-080452	BOLT, M8X 45 PLATED		20						
16	1	26106-080502	BOLT, M8X 50 PLATED		4						
17	1	129100-01580	PIN, M8X16		2						
18	1	129100-01640	CASE ASSY, OIL SEAL		1						
20	2	129795-01780	SEAL, OIL		1						
21	1	26106-080302	BOLT, M8X 30 PLATED		6						
22	1	26106-080352	BOLT, M8X 35 PLATED		3						

Fig.26. BONNET

Y0004150
4TN7BL-RGNCH

029100-03120
029400-11200
029411-07120



(A)=
(B)=4TN78L-RGN
(C)=

(D)=
(E)=
(F)=

No.	Lev.	Parts No.	Description	Q'ty						I	R
				(A)	(B)	(C)	(D)	(E)	(F)		
1	1	129150-03090	HOSE, ID16X2T		1						
6	1	129400-11350	BONNET ASSY, HEAD		1						
7	2	124160-01751	COVER, FILLER		1						
8	2	129150-03020	COVER, BREATHER		1						
9	2	129150-03070	BAFFLE, BREATHER		1						
10	2	129150-03080	PLATE, BAFFLE		1						
11	2	129400-11300	BONNET		1						
13	2	129550-11310	GASKET, BONNET		1						
14	2	24311-000320	O-RING, 1AP32.0		1						
15	2	24341-000500	O-RING, 1AS50.0		1						
16	2	26106-080162	BOLT, M8X 16 PLATED		2						
17	1	124160-11360	KNOB		3						
18	1	24311-000120	O-RING, 1AP12.0		3						

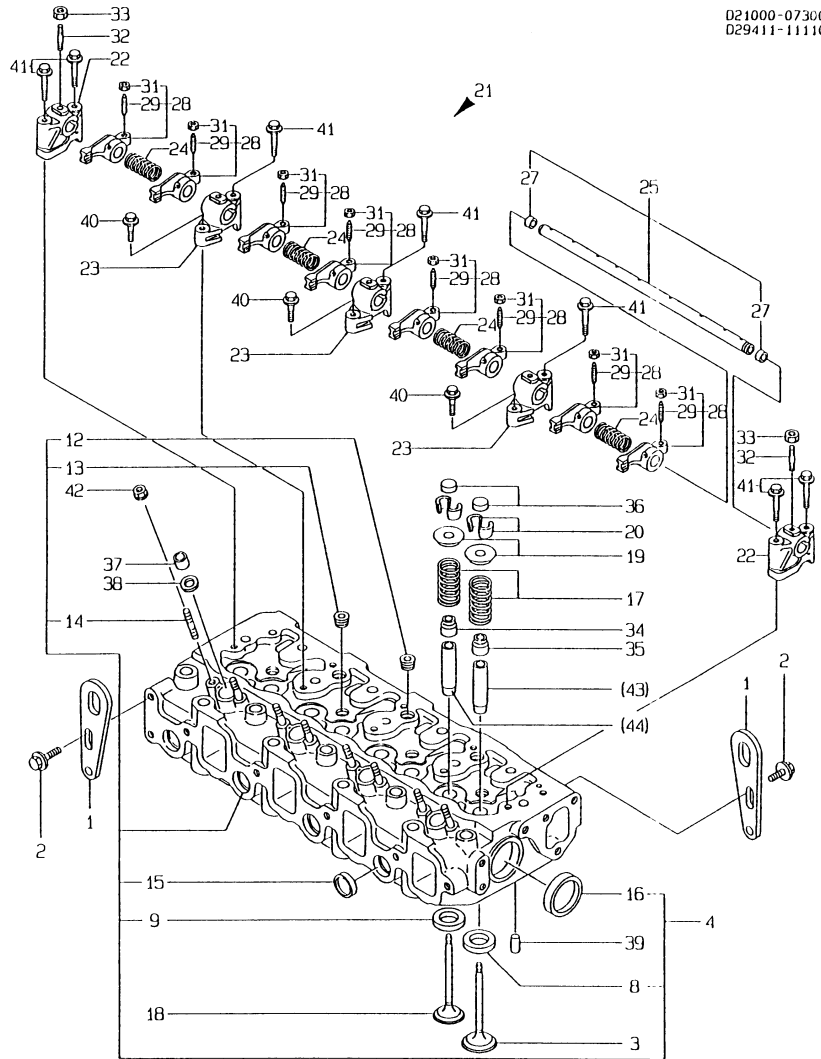
Fig.27. CYLINDER HEAD

(A)=
(B)=4TN78L-RGN
(C)=

(D)=
(E)=
(F)=

Y00D4150
41N78L-RGNCH

021000-07300
029411-11110



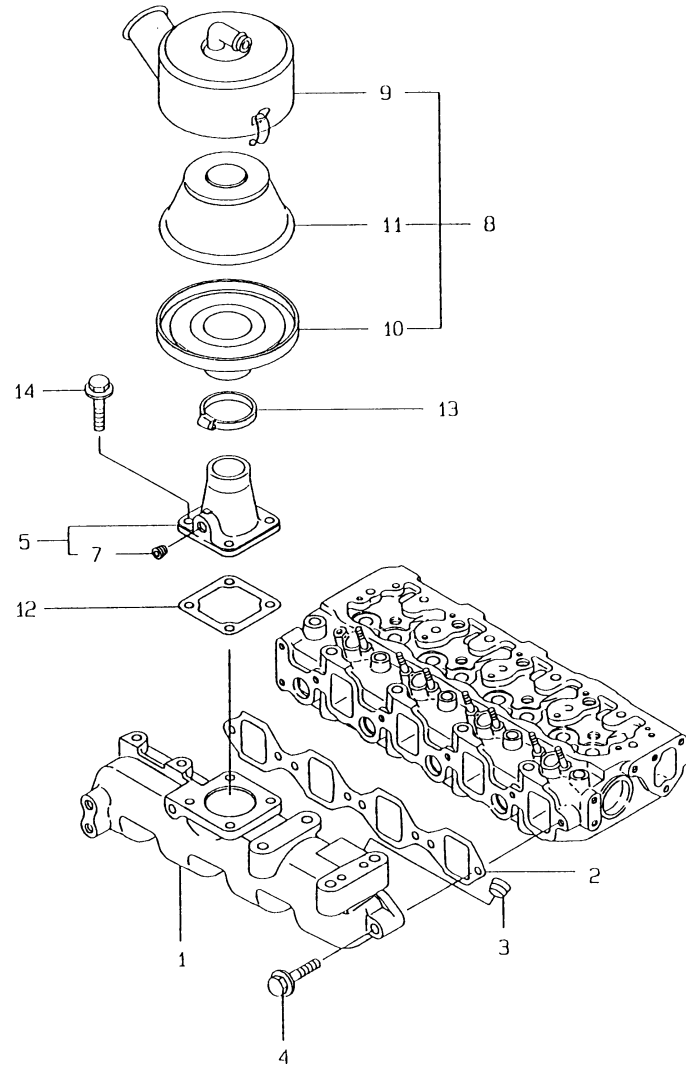
No.	Lev.	Parts No.	Description	Q'ty						I	R
				(A)	(B)	(C)	(D)	(E)	(F)		
1	1	124736-07900	LIFTER		2						
2	1	26106-080142	BOLT, M8X 14 PLATED		4						
3	1	129100-11100	VALVE, INTAKE		4						
4	1	129403-11100	HEAD ASSY, CYLINDER		1						
8	2	129470-11080	SEAT, INTAKE VALVE		4						
9	2	129470-11090	SEAT, EXHAUST VALVE		4						
12	2	121850-11860	PLUG, PT1/4		3						
13	2	23871-030000	PLUG, R03		4						
14	2	26216-060202	STUD, M6X 20		8						
15	2	27241-220000	PLUG, 22		4						
16	2	27241-400000	PLUG, 40		2						
17	1	129795-11120	SPRING, VALVE		8						
18	1	129100-11130	VALVE, EXHAUST		4						
19	1	129795-11180	RETAINER, SPRING		8						
20	1	103338-11190	COTTER		8						
20-1	1	27310-080001	COTTER, 8		8						R
		(B=EXXXXX)									
21	1	129555-11241	SHAFT ASSY, ROCKER		1						
22	2	129155-11260	SUPPORT, ROCKER ARM		2						
23	2	129155-11270	SUPPORT, ROCKER ARM		3						
24	2	129150-11280	SPRING		4						
25	2	129550-11290	SHAFT, ROCKER ARM		1						
27	3	27241-100000	PLUG, 10		2						
28	2	729402-11650	ARM ASSY, ROCKER		8						
29	3	129150-11230	SCREW, VALVE ADJUST		8						
31	3	129150-11750	NUT, M8		8						
32	2	26226-080182	STUD, M8X 18		3						
33	2	26756-080002	NUT, LOCK M8		3						
34	1	121400-11340	SEAL, VALVE STEM		4						
35	1	124460-11340	SEAL, VALVE STEM		4						
36	1	129150-11370	CAP, VALVE		8						
37	1	119625-11870	PROTECTOR, NOZZLE		4						
38	1	119625-11880	SEAT, NOZZLE		4						
39	1	22351-060012	PIN, SPRING 6.0X12		2						
40	1	26106-080252	BOLT, M8X 25 PLATED		3						
41	1	26106-080502	BOLT, M8X 50 PLATED		7						
42	1	26366-060002	NUT, M6		8						
43	1	120130-11860	GUIDE, VALVE		4						1
44	1	129150-11810	GUIDE, VALVE		4						1

Remarks
(1) REPAIR PART.

Fig.28. SUCTION MANIFOLD & AIR CLEANER

Y00D4150
4TN78L-RGNCH1

029400-12100
071335-12100



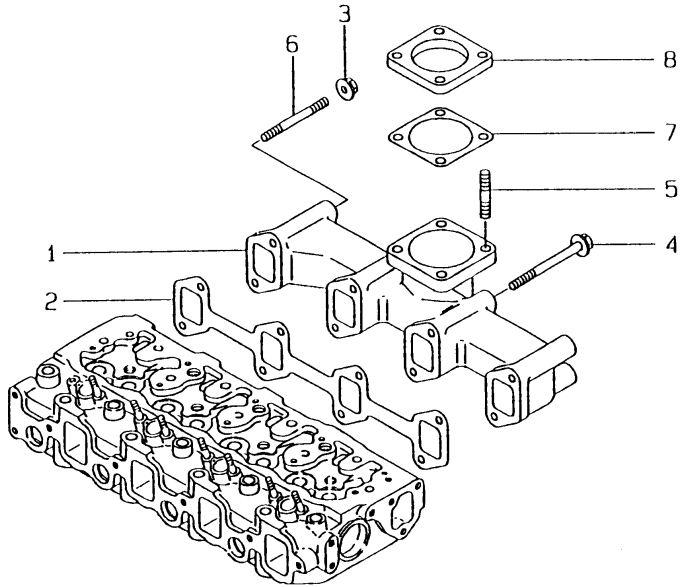
(A)=
(B)=4TN78L-RGN
(C)=

(D)=
(E)=
(F)=

No.	Lev.	Parts No.	Description	Q'ty						I	R
				(A)	(B)	(C)	(D)	(E)	(F)		
1	1	129400-12100	MANIFOLD, AIR INTAKE		1						
2	1	129550-12111	GASKET, MANIFOLD		1						
3	1	23871-030000	PLUG, R03		1						
4	1	26106-080352	BOLT, M8X 35 PLATED		5						
5	1	129470-12210	JOINT ASSY		1						
7	2	23871-010000	PLUG, R01		1						
8	1	129795-12501	SILENCER ASSY		1						
9	2	129795-12520	PIPE, AIR INTAKE		1						
10	2	129795-12530	PLATE		1						
11	2	129795-12540	ELEMENT		1						
12	1	129150-77511	GASKET		1						
13	1	23000-060000	CLAMP, 60		1						
14	1	26106-080162	BOLT, M8X 16 PLATED		4						

Fig.29. EXHAUST MANIFOLD

Y00D4150
41N7UL-RGNCH



029411-13100
029411-93120

(A)=
(B)=4TN78L-RGN
(C)=

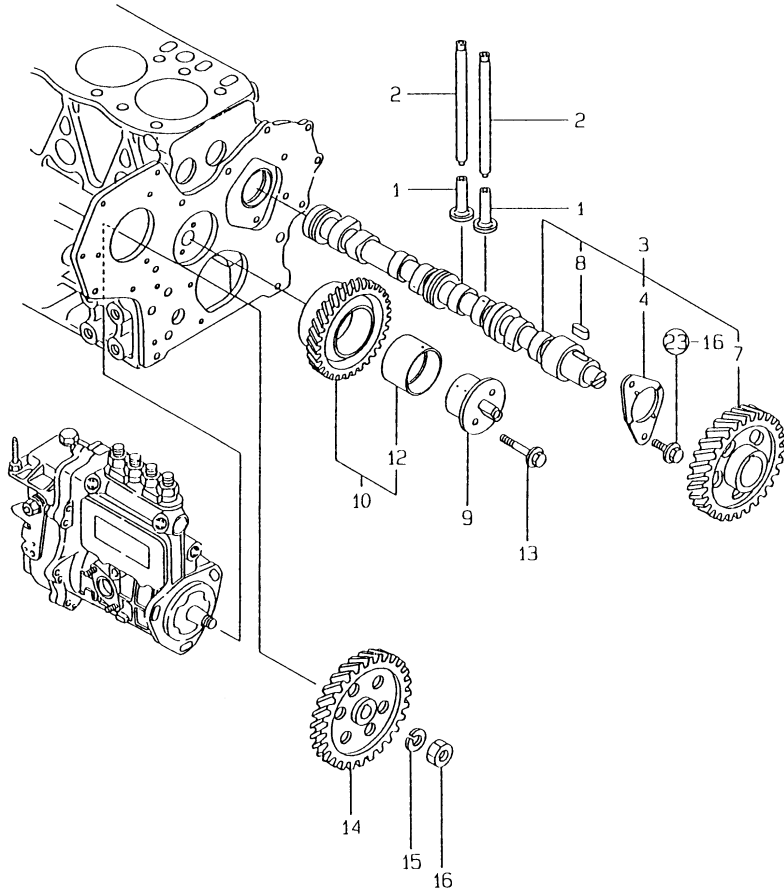
(D)=
(E)=
(F)=

No.	Lev.	Parts No.	Description	Q'ty						I	R	
				(A)	(B)	(C)	(D)	(E)	(F)			
1	1	129411-13100	MANIFOLD, EXHAUST		1							
2	1	129550-13110	GASKET		1							
3	1	194990-22050	NUT, M8		2							
4	1	26106-080802	BOLT, M8X 80 PLATED		6							
5	1	26216-080222	STUD, M8X 22		4							
6	1	26216-080802	STUD, M8X 80		2							
7	1	129400-13201	GASKET, SILENCER		1							
8	1	129411-13350	FLANGE, EXHAUST		1							

Fig.30. CAMSHAFT & DRIVE GEAR

Y00D4150
41N78L-RGNCH

029100-25200
029150-14100
029100-25101



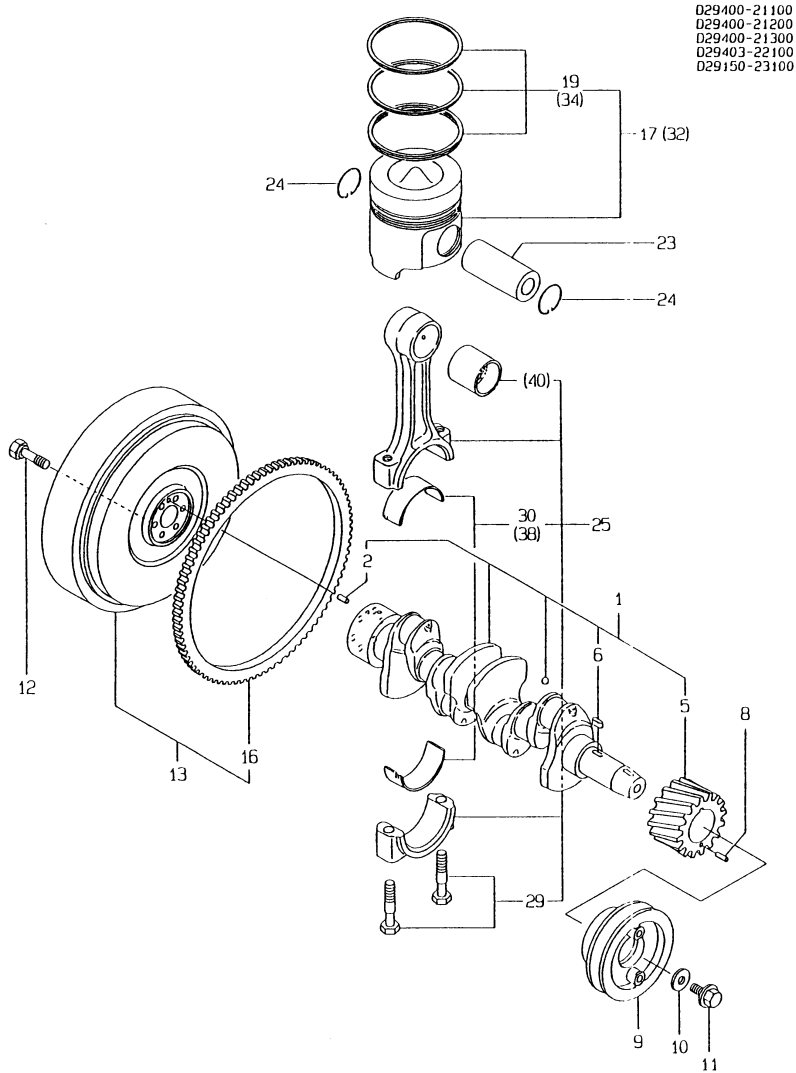
(A)=
(B)=4TN78L-RGN
(C)=

(D)=
(E)=
(F)=

No.	Lev.	Parts No.	Description	Q'ty						I	R
				(A)	(B)	(C)	(D)	(E)	(F)		
1	1	129150-14200	TAPPET		8						
2	1	129150-14400	ROD, PUSH L=178		8						
3	1	729402-14580	CAMSHAFT ASSY		1						
4	2	129150-02450	BEARING, THRUST		1						
7	2	129150-14101	GEAR, CAMSHAFT		1						
8	2	22512-070140	KEY, 7X 14		1						
9	1	129100-25061	SHAFT, IDLE		1						
10	1	129150-25101	GEAR ASSY, IDLE		1						
13	1	26106-080452	BOLT, M8X 45 PLATED		2						
14	1	129100-25900	GEAR, PUMP		1						
15	1	22217-120000	WASHER, SPRING 12		1						
16	1	26716-120002	NUT, M12		1						

Fig.31. CRANKSHAFT & PISTON

Y00D4150
4TN78L-RGN/1



(A)=
(B)=4TN78L-RGN
(C)=

(D)=
(E)=
(F)=

No.	Lev.	Parts No.	Description	Q'ty						I	R	
				(A)	(B)	(C)	(D)	(E)	(F)			
1	1	729400-21700	CRANKSHAFT ASSY		1							
2	2	129100-01580	PIN, M8X16		1							
5	2	129150-21200	GEAR, CRANKSHAFT		1							
6	2	22512-070140	KEY, 7X 14		1							
8	1	22351-040010	PIN, SPRING 4.0X10		1							
9	1	171301-21650	V-PULLEY		1							
10	1	129795-21661	WASHER		1							
11	1	121850-21680	BOLT		1							
12	1	121111-21501	BOLT, FLYWHEEL		6							
13	1	171420-21580	FLYWHEEL ASSY		1							
16	2	119865-21600	GEAR, RING		1							
17	1	129403-22090	PISTON ASSY		4							
19	2	729403-22500	RING SET, PISTON		4							
23	1	129150-22300	PIN, PISTON D26 L66		4							
24	1	121100-22400	CIRCLIP		8							
25	1	729402-23100	ROD ASSY, CONNECTING		4							
29	2	121550-23200	BOLT, CONNECTING ROD		8							
30	2	129150-23600	BEARING, CRANK PIN		4							
32	1	729105-22900	PISTON ASSY, 0.25 OS		4							1
34	2	729157-22951	RING SET, 0.25 OS		4							1
38	1	129150-23610	BEARING, 0.25 US		4							2
40	1	129100-23910	BEARING, PISTON PIN		4							3

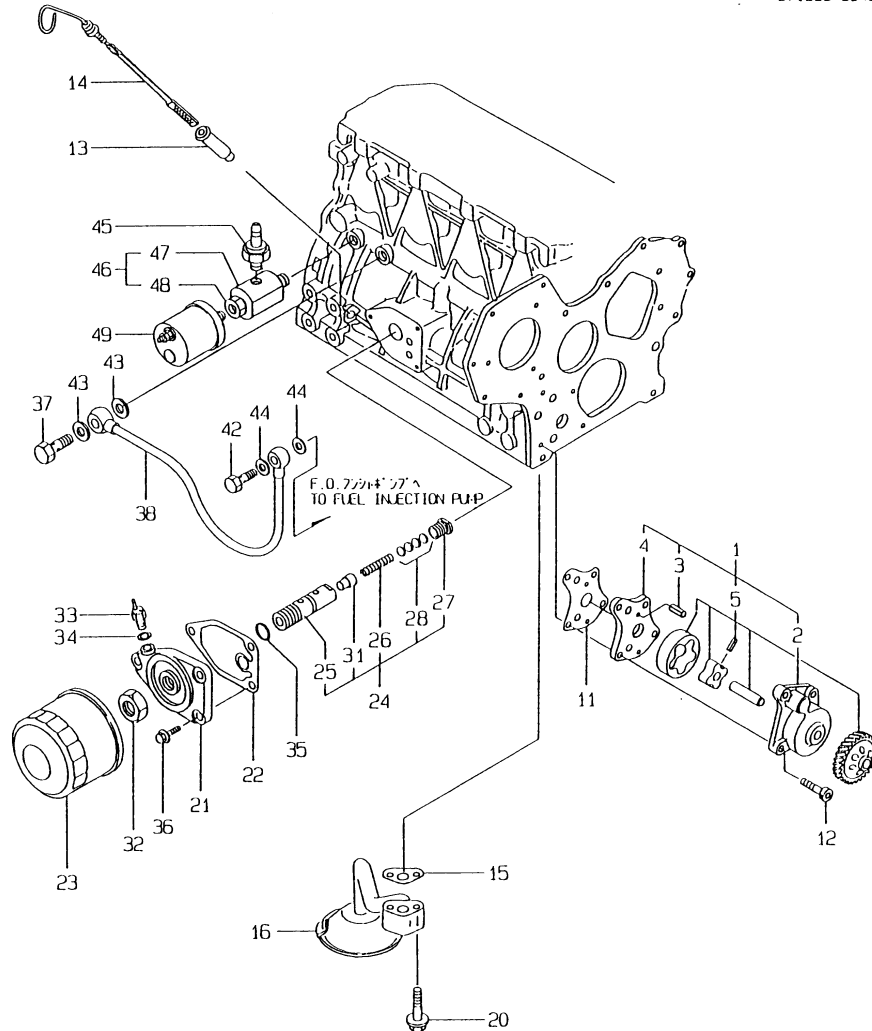
Remarks

- (1) OVER-SIZE(O.S=0.25)PART.
- (2) UNDER-SIZE(U.S=0.25)PART.
- (3) REPAIR PART.

Fig.32. LUB. OIL SYSTEM

Y00D4150
41N78L-RGNCH

D29150-32100
D29100-34100
D29436-35100
U71375-35200
D29428-39110
U71335-39400

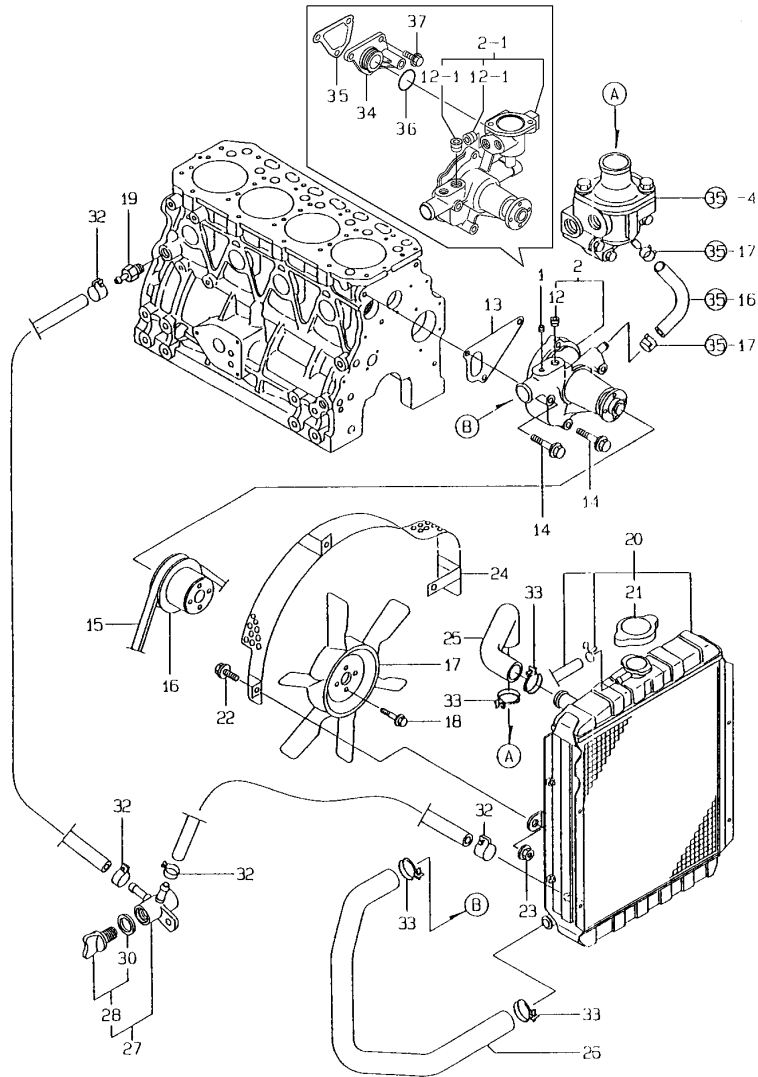


(A)=
(B)=4TN78L-RGN
(C)=

(D)=
(E)=
(F)=

No.	Lev.	Parts No.	Description	Qty						I	R
				(A)	(B)	(C)	(D)	(E)	(F)		
1	1	129150-32000	PUMP ASSY, OIL		1						
3	2	121450-32060	PIN, 4X8		2						
4	2	129150-32080	COVER		1						
5	2	129150-32150	ROTOR ASSY		1						
11	1	129150-32020	GASKET, PUMP		1						
12	1	26450-060252	BOLT, M6X 25		4						
13	1	121520-34810	GUIDE, DIPSTICK		1						
14	1	171420-34820	DIPSTICK, OIL		1						
15	1	129150-35041	GASKET		1						
16	1	129436-35090	PIPE ASSY, OIL INLET		1						
20	1	26106-080352	BOLT, M8X 35 PLATED		2						
21	1	171375-35100	BRACKET, STRAINER		1						
22	1	129150-35111	GASKET		1						
23	1	129150-35150	FILTER 90X80L		1						
24	1	119865-35300	VALVE ASSY, CONTROL		1						
25	2	119865-35310	BODY		1						
26	2	119865-35320	SPRING		1						
27	2	119865-35330	RETAINER		1						
28	2	129150-35340	SHIM SET		1						
31	2	119865-35350	VALVE, CONTROL		1						
32	1	129150-35350	NUT		1						
33	1	124250-49351	SENSOR		1						
34	1	129150-49360	GASKET		1						
35	1	24311-000160	O-RING, 1AP16.0		1						
36	1	26106-080202	BOLT, M8X 20 PLATED		3						
37	1	124160-39140	BOLT, PIPE JOINT M10		1						
38	1	129550-39450	PIPE ASSY, OIL		1						
42	1	124550-59820	BOLT, PIPE JOINT M8		1						
43	1	23414-100000	GASKET, 10X1.0		2						
44	1	43400-500410	SEAL WASHER 8		2						
45	1	124160-39450	SWITCH, 0.5KG		1						
46	1	171375-39600	DAMPER ASSY		1						
47	2	129470-39610	DAMPER		1						
48	2	23161-020100	BUSH, R1/4X1/8		1						
49	1	144626-91560	SENSOR		1						

Fig.33. COOLING WATER SYSTEM



(A)=
(B)=4TN78L-RGN
(C)=

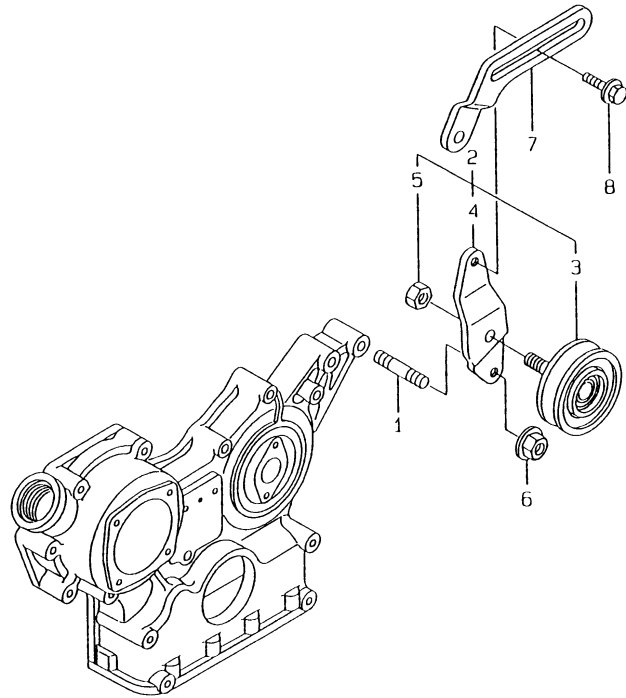
(D)=
(E)=
(F)=

No.	Lev.	Parts No.	Description	Q'ty						I	R
				(A)	(B)	(C)	(D)	(E)	(F)		
1	1	121850-11860	PLUG, PT1/4		1						
2	1	129100-42002	PUMP ASSY, WATER		1						
2-1	1	129001-42001	PUMP ASSY, WATER		1					F	1
(B=EZZZZZ)											
12	2	23871-030000	PLUG, R03		1						
12-1	2	23871-030000	PLUG, R03		2						K
(B=FZZZZZ)											
13	1	129100-42020	GASKET, WATER PUMP		1						
14	1	26106-080602	BOLT, M8X 60 PLATED		3						
15	1	124732-42290	V-BELT, AX37		1						
16	1	129403-42380	V-PULLEY, D=110		1						
17	1	129403-44740	FAN, COOLING 370		1						
18	1	26014-060162	BOLT, M6X 16		4						
19	1	121550-49111	JOINT, PT1/4		1						
20	1	171460-44500	RADIATOR		1						
21	2	123682-44210	CAP, RADIATOR		1						
22	1	26013-080142	BOLT, M8X 14		3						
23	1	26366-080002	NUT, M8		3						
24	1	129411-44560	PROTECTOR, FAN		1						
25	1	171420-49010	PIPE, WATER		1						
26	1	171420-49020	PIPE, WATER		1						
27	1	129150-49100	COCK ASSY, 3-WAY		1						
28	2	129150-49080	COCK, DRAIN		1						
30	3	119629-49080	GASKET		1						
32	1	124766-59050	CLIP, HOSE 12		4						
33	1	23010-038000	CLAMP, 38		4						
34	1	129001-42040	JOINT		1						W
(B=EZZZZZ)											
35	1	129100-49840	GASKET		1						W
(B=EZZZZZ)											
36	1	24321-000300	O-RING, 1AG30.0		1						W
(B=EZZZZZ)											
37	1	26106-080182	BOLT, M8X 18 PLATED		3						W
(B=EZZZZZ)											

Remarks

(1) Interchangeable by simultaneous replacement with Fig.34 Ref.No.7-1, Fig.35 Ref.No.1-1.

Fig.34. TENSION PULLEY



Remarks

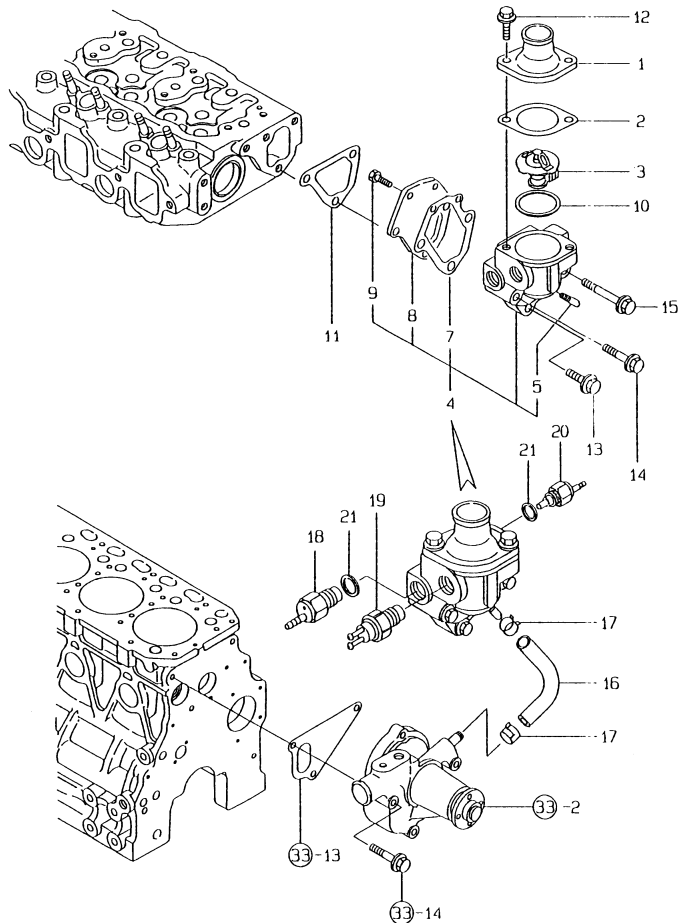
(1) Interchangeable by simultaneous replacement with Fig.33 Ref.No.2-1, Fig.35 Ref.No.1-1.

(A)=
(B)=4TN78L-RGN
(C)=

(D)=
(E)=
(F)=

No.	Lev.	Parts No.	Description	Q'ty						I	R
				(A)	(B)	(C)	(D)	(E)	(F)		
1	1	121450-01570	STUD		1						
2	1	171375-44300	PULLEY ASSY, TENSION		1						
3	2	171011-44301	PULLEY, TENSION		1						
4	2	171375-44320	BRACKET, PULLEY		1						
5	2	26706-100002	NUT, M10		1						
6	1	26366-100002	NUT, M10		1						
7	1	129400-77330	ADJUSTER		1						
7-1	1	129410-77330 (B=EZZZZZ)	ADJUSTER		1					F	1
8	1	26014-080252	BOLT, M8X 25		1						

Fig.35. THERMOSTAT



(A)=
(B)=4TN78L-RGN
(C)=

(D)=
(E)=
(F)=

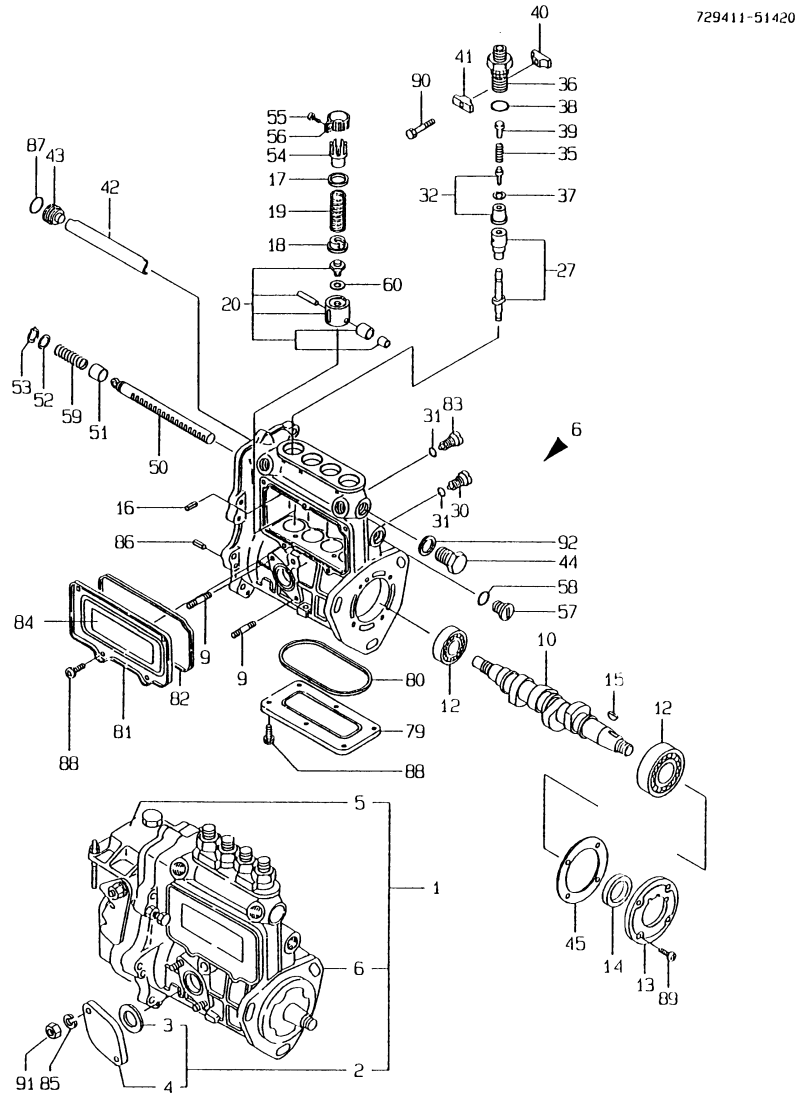
No.	Lev.	Parts No.	Description	Q'ty						I	R
				(A)	(B)	(C)	(D)	(E)	(F)		
1	1	129350-49530	COVER, THERMOSTAT		1						
1-1	1	129350-49560	COVER, THERMOSTAT (B=EZZZZZ)		1						F 1
2	1	129795-49551	GASKET		1						
3	1	129155-49800	THERMOSTAT, 71		1						
4	1	171375-49800	CASE ASSY,THERMOSTAT (B=EZZZZZ)		1						Z
5	2	124770-11770	JOINT, PIPE PT1/8 (B=EZZZZZ)		1						Z
7	2	129100-49820	GASKET (B=EZZZZZ)		1						Z
8	2	129100-49830	COVER, THERMOSTAT (B=EZZZZZ)		1						Z
9	2	26116-060162	BOLT, M6X 16 PLATED (B=EZZZZZ)		2						Z
10	1	129150-49811	GASKET, THERMOSTAT		1						
11	1	129100-49840	GASKET (B=EZZZZZ)		1						Z
12	1	26106-080202	BOLT, M8X 20 PLATED		2						
13	1	26106-080252	BOLT, M8X 25 PLATED (B=EZZZZZ)		1						Z
14	1	26106-080502	BOLT, M8X 50 PLATED (B=EZZZZZ)		1						Z
15	1	26106-080602	BOLT, M8X 60 PLATED (B=EZZZZZ)		1						Z
16	1	129100-49050	PIPE, WATER		1						
16-1	1	129132-49050	PIPE, WATER (B=EZZZZZ)		1						R
16-2	1	129132-49050	PIPE, WATER (B=EZZZZZ)		1						Z
17	1	23000-016000	CLAMP, 16 (B=EZZZZZ)		2						Z
18	1	121250-44901	SWITCH, 110		1						
19	1	171375-44900	SWITCH, 15		1						
20	1	171375-44910	SENSOR		1						
21	1	124465-44950	GASKET, 16		2						

Remarks

(1) Interchangeable by simultaneous replacement with Fig.33 Ref.No.2-1, Fig.34 Ref.No.7-1.

Fig.36. FUEL INJECTION PUMP

Y00D4150
4TN78L-RGNCH



(A)=
(B)=4TN78L-RGN
(C)=

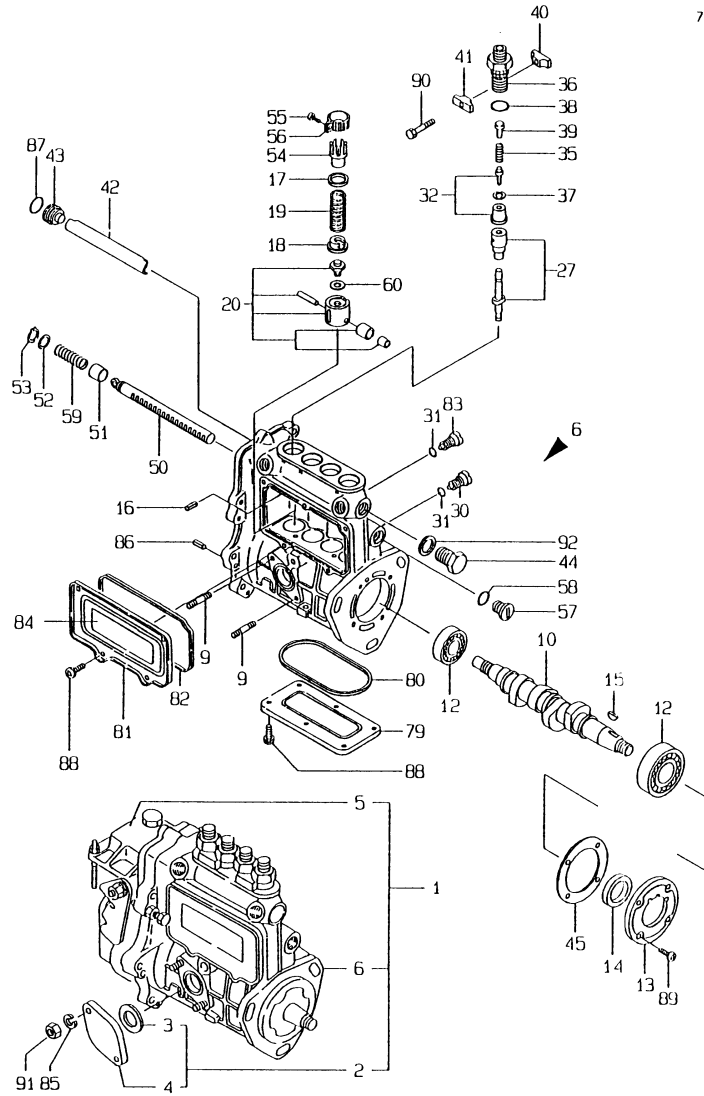
(D)=
(E)=
(F)=

No.	Lev.	Parts No.	Description	Q'ty						I	R
				(A)	(B)	(C)	(D)	(E)	(F)		
1	1	729411-51420	PUMP ASSY, INJECTION		1						
2	2	129255-52000	COVER ASSY		1						
3	3	129155-52050	GASKET		1						
4	3	129100-52200	COVER		1						
5	2	171335-61000	GOVERNOR ASSY		1						
6	2	129402-51000	PUMP ASSY, INJECTION		1						
9	3	129155-51020	STUD		2						
10	3	129470-51040	CAMSHAFT		1						
12	3	122710-51050	BEARING, HR30203J		2						
13	3	129470-51060	RETAINER, BEARING		1						
14	3	129470-51080	SEAL, AF0741F0		1						
15	3	122710-51090	KEY		1						
16	3	129155-51140	PIN		4						
17	3	174307-51170	RETAINER, SPRING A		4						
18	3	129155-51180	RETAINER, SPRING		4						
19	3	124950-51190	SPRING, PLUNGER		4						
20	3	129155-51200	TAPPET ASSY		4						
27	3	129400-51200	PLUNGER ASSY		4						
30	3	129155-51270	STOPPER, TAPPET		4						
31	3	129155-51280	O-RING, S6		4						
32	3	128170-51300	VALVE ASSY, DELIVERY		4						
35	3	129155-51320	SPRING, DELIVERY		4						
36	3	129155-51340	RETAINER		4						
37	3	124550-51350	GASKET, DELIVERY		4						
38	3	124550-51370	O-RING		4						
39	3	129155-51370	STOPPER, VALVE		4						
40	3	129155-51380	STOPPER		2						
41	3	129155-51390	STOPPER		2						
42	3	129555-51400	DEFLECTOR		1						
43	3	129155-51410	BOLT		1						
44	3	129155-51420	PLUG, M16		1						
45	3	129155-51450	SHIM SET, ADJUSTING		1						
50	3	129555-51500	RACK, CONTROL		1						
51	3	129155-51521	BUSH, RACK		1						
52	3	129155-51530	SPACER		1						
53	3	129155-51540	CIRCLIP		1						
54	3	129155-51550	PINION, CONTROL		4						
55	3	122117-51560	SCREW		4						
56	3	174307-51560	PINION		4						
57	3	129155-51570	PLUG, M12		1						
58	3	129155-51580	O-RING		1						
59	3	129155-51591	SPRING, RACK		1						
60	3	129155-51600	SHIM SET, ADJUSTING		4						
79	3	129555-51700	COVER		1						
80	3	129555-51710	GASKET		1						
81	3	129555-51750	COVER		1						
82	3	129555-51760	GASKET		1						
83	3	129155-51790	STOPPER, RACK		1						
84	3	129156-51910	LABEL, CAUTION		1						
85	3	22217-060000	WASHER, SPRING 6		2						
86	3	22351-050010	PIN, SPRING 5.0X10		2						

Fig.36. FUEL INJECTION PUMP

Y00D4150
4TN78L-RGNCH

729411-51420



(A)=
(B)=4TN78L-RGN
(C)=

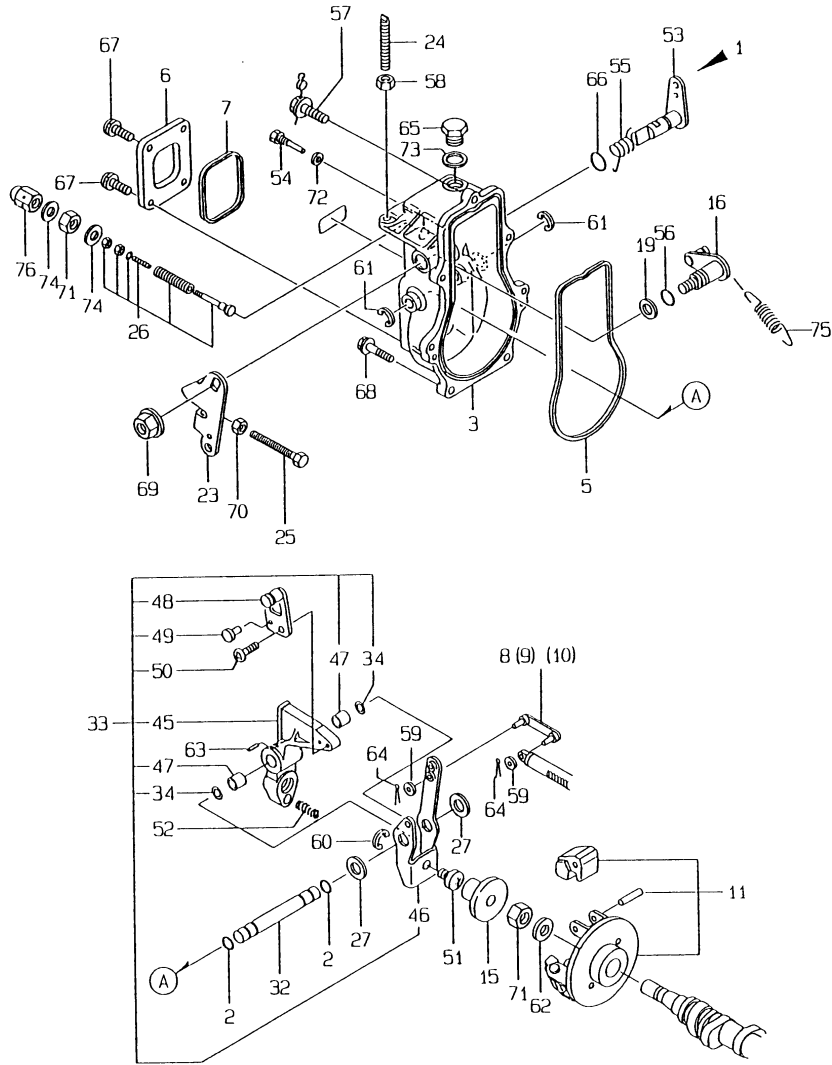
(D)=
(E)=
(F)=

No.	Lev.	Parts No.	Description	Q'ty						I	R
				(A)	(B)	(C)	(D)	(E)	(F)		
87	3	24341-000160	O-RING, 1AS16.0		1						
88	3	26022-050102	SCREW, M5X10		11						
89	3	26022-060162	SCREW, M6X16		4						
90	3	26116-050302	BOLT, M5X 30 PLATED		2						
91	3	26716-060002	NUT, M6		2						
92	3	43400-500490	SEAL WASHER 16		1						

Fig.37. GEVERNOR

Y0004150
41N7BL-RGNCH

729411-51420



(A)=
(B)=4TN78L-RGN
(C)=

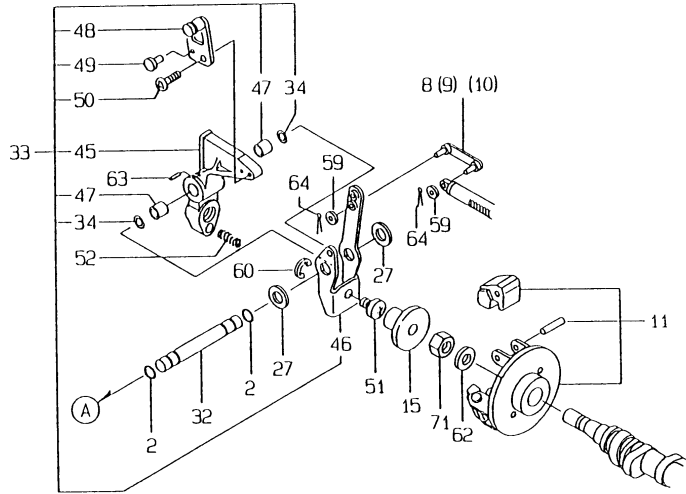
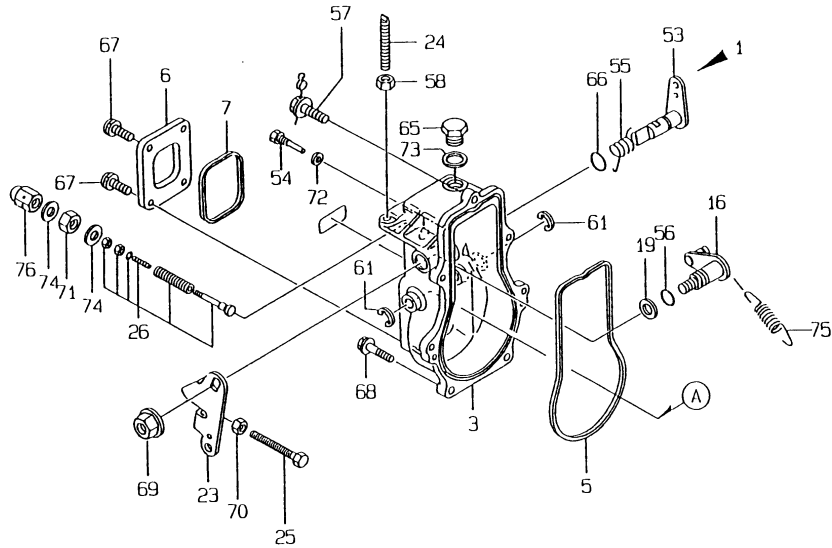
(D)=
(E)=
(F)=

No.	Lev.	Parts No.	Description	Q'ty						I	R
				(A)	(B)	(C)	(D)	(E)	(F)		
1	1	171335-61000	GOVERNOR ASSY		1						
2	2	129155-51280	O-RING, S6		2						
3	2	129155-61011	CASE, GOVERNOR		1						
5	2	129155-61050	GASKET		1						
6	2	129155-61060	COVER, GOVERNOR CASE		1						
7	2	129155-61070	GASKET		1						
8	2	129155-61120	LINK, L=30 MARK 0		1						
9	2	129155-61130	LINK, L=31 MARK 1		1						
10	2	129155-61140	LINK, L=30.5 MARK 05		1						
11	2	129155-61201	WEIGHT ASSY,GOVERNOR		1						
15	2	129155-61341	SLEEVE		1						
16	2	129100-61400	SHAFT ASSY		1						
19	2	129155-61430	SPACER		1						
23	2	171488-61440	LEVER, CONTROL		1						
24	2	129155-61450	BOLT, LIMITER		1						
25	2	129155-61460	BOLT, IDLE		1						
26	2	129155-61470	BOLT, CONTROL		1						
27	2	129155-61480	SPACER ASSY		2						
32	2	129155-61490	SHAFT		1						
33	2	129100-61500	LEVER ASSY, GOVERNOR		1						
34	3	174307-51700	SHIM SET		2						
45	3	129100-61510	LEVER, TENSION		1						
46	3	129155-61520	LEVER, GOVERNOR		1						
47	3	129155-61530	BUSH		2						
48	3	129100-61910	HOOK		1						
49	3	129100-61920	PIN		1						
50	3	26022-060122	SCREW, M6X12		1						
51	2	129155-61540	SHIFTER		1						
52	2	129500-61650	SPRING, FUEL CONTROL		1						
53	2	129155-61802	LEVER, STOP		1						
54	2	129155-61810	PIN		1						
55	2	129100-61821	SPRING, RETURN		1						
56	2	129155-61830	O-RING, S10		1						
57	2	129155-61950	BOLT		1						
58	2	124550-66370	NUT, M6		1						
59	2	22117-040000	WASHER, 4		1						
60	2	22272-000040	RING, E- 4		1						
61	2	22272-000060	RING, E- 6		2						
62	2	22287-120000	WASHER, 12		1						
63	2	22351-030016	PIN, SPRING 3.0X16		1						
64	2	22372-040000	PIN, SNAP 4		2						
65	2	23887-100002	PLUG, 10		1						
66	2	24311-240100	O-RING, 1AP10A		1						
67	2	26022-050102	SCREW, M5X10		4						
68	2	26106-060202	BOLT, M6X 20 PLATED		6						
69	2	26366-080002	NUT, M8		1						
70	2	26756-060002	NUT, LOCK M6		1						
71	2	26776-120002	NUT, LOCK M12		2						
72	2	43400-500390	SEAL WASHER 6		1						
73	2	43400-500430	SEAL WASHER 10		1						
74	2	43400-500450	SEAL WASHER 12		2						

Fig.37. GEVERNOR

Y0004150
41N7BL-RGNCH

729411-51420

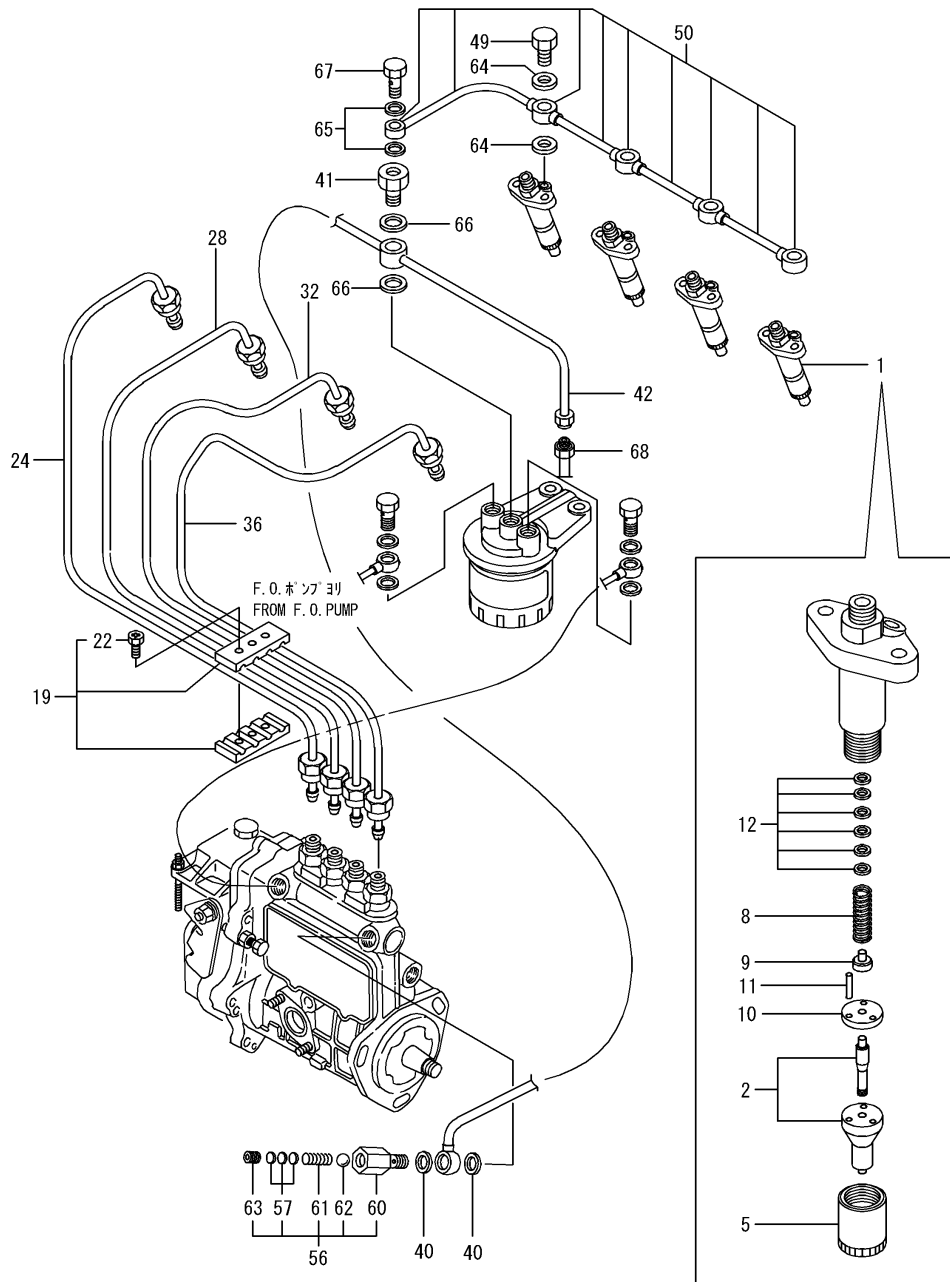


(A)=
(B)=4TN78L-RGN
(C)=

(D)=
(E)=
(F)=

No.	Lev.	Parts No.	Description	Q'ty						I	R
				(A)	(B)	(C)	(D)	(E)	(F)		
75	1	129500-61700	SPRING, GOVERNOR		1						
76	1	26687-120002	NUT, CAP M12		1						

Fig.38. FUEL INJECTION VALVE



(A)=
(B)=4TN78L-RGN
(C)=

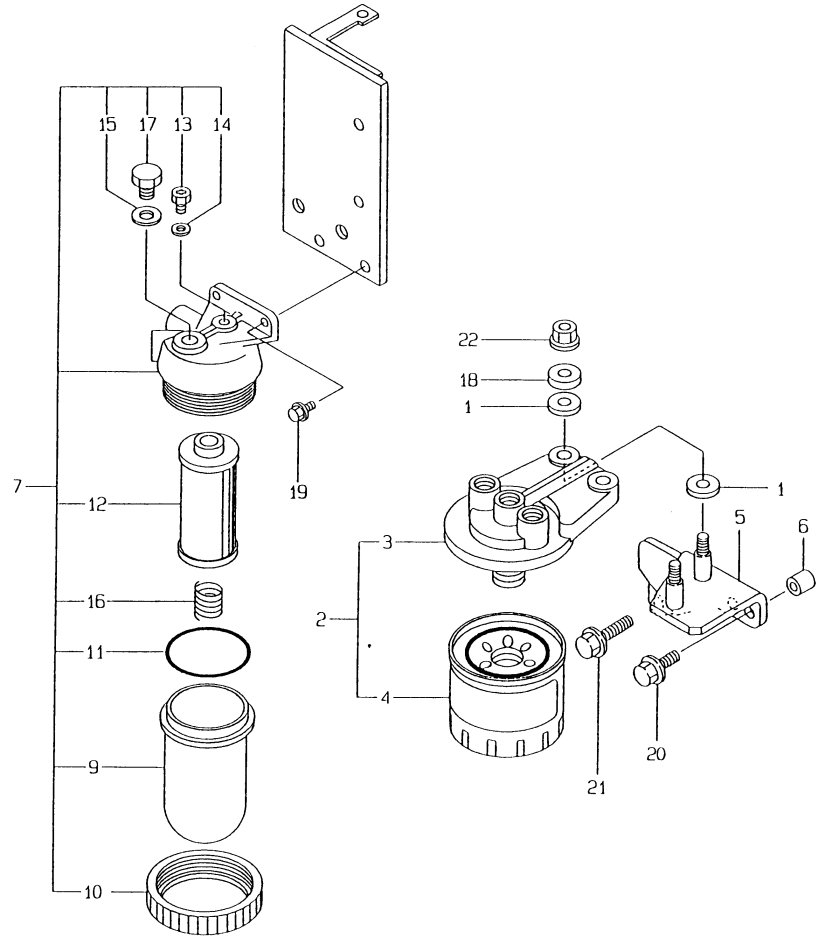
(D)=
(E)=
(F)=

No.	Lev.	Parts No.	Description	Q'ty						I	R
				(A)	(B)	(C)	(D)	(E)	(F)		
1	1	729111-53100	VALVE ASSY,INJECTION		4						
2	2	129100-53000	VALVE ASSY,INJECTION		4						
5	2	114250-53080	NUT, NOZZLE D16.95		4						
8	2	114250-53120	SPRING, NOZZLE		4						
9	2	114250-53130	SEAT, SPRING		4						
10	2	114250-53140	PLATE		4						
11	2	114250-53210	PIN		8						
12	2	114250-53400	SHIM SET		4						
19	1	129550-59120	RETAINER, PIPE		1						
22	2	129150-59130	BOLT, M4X12		2						
24	1	129400-59810	PIPE ASSY, INJECTION		1						
28	1	129400-59820	PIPE ASSY, INJECTION		1						
32	1	129400-59830	PIPE ASSY, INJECTION		1						
36	1	129400-59840	PIPE ASSY, INJECTION		1						
40	1	104200-59170	GASKET, 12		2						
41	1	129495-59300	BOLT, PIPE JOINT		1						
42	1	129411-59530	PIPE ASSY, FUEL		1						
49	1	129491-59540	BOLT, PIPE JOINT M6		4						
50	1	129411-59551	PIPE ASSY, RETURN		1						
56	1	129100-59951	VALVE ASSY, CHECK		1						
57	2	129100-59850	SHIM SET		1						
60	2	129100-59961	BODY, VALVE		1						
61	2	129100-59970	SPRING		1						
62	2	24190-080001	BALL, STEEL 1/4		1						
63	2	27241-100000	PLUG, 10		1						
64	1	23414-060000	GASKET, 6X1.0		8						
65	1	23414-080012	GASKET, 8X1.0		2						
66	1	23414-140000	GASKET, 14X1.0		2						
67	1	23851-030000	JOINT BOLT 3		1						
68	1	43551-001451	UNION 8(M)		1						

Fig.39. FUEL FILTER

Y0004150
41N78L-RGNCH1

029411-55101



(A)=
(B)=4TN78L-RGN
(C)=

(D)=
(E)=
(F)=

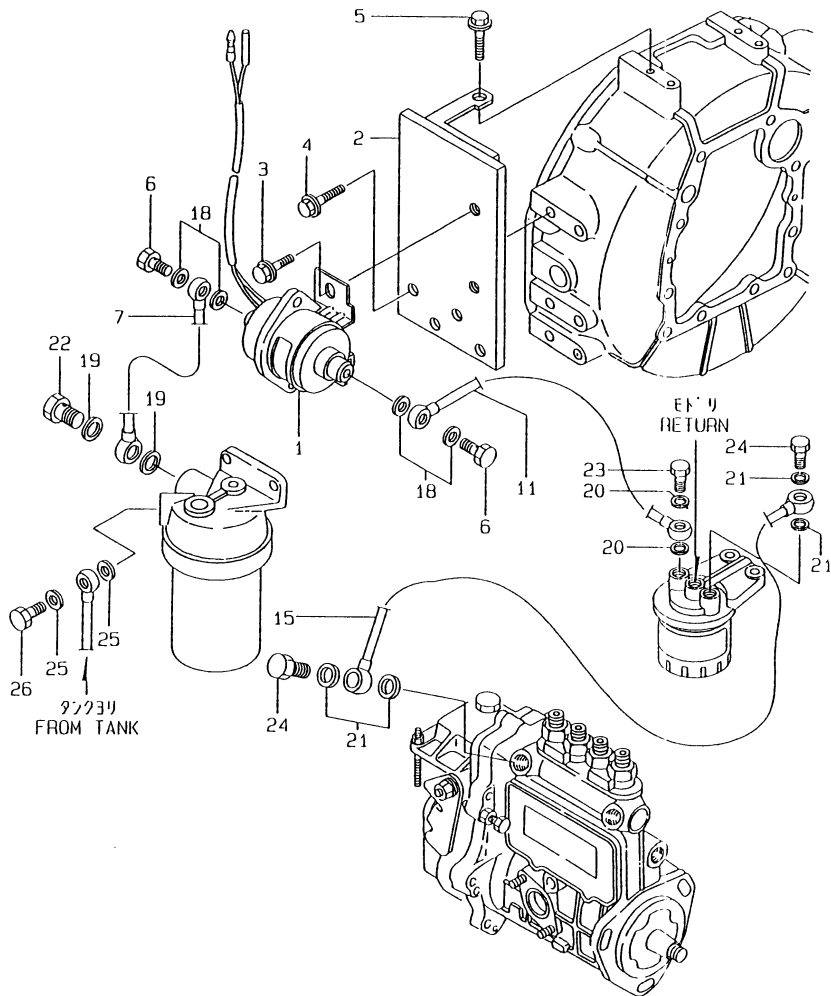
No.	Lev.	Parts No.	Description	Q'ty						I	R
				(A)	(B)	(C)	(D)	(E)	(F)		
1	1	160610-55460	INSULATOR		4						
2	1	129470-55601	FILTER ASSY, FUEL		1						
3	2	129470-55610	BODY, STRAINER		1						
4	2	129470-55701	STRAINER ASSY, FUEL		1						
5	1	171375-55612	BRACKET, STRAINER		1						
6	1	129411-55690	SPACER		1						
7	1	171081-55900	FILTER ASSY, PRE		1						
9	2	121370-55730	CUP, STRAINER		1						
10	2	110250-55610	RING, RETAINING		1						
11	2	103854-32050	O-RING		1						
12	2	171081-55910	SCREEN		1						
13	2	101720-55750	PLUG, 6		1						
14	2	23418-060000	GASKET, 6X1.0		1						
15	2	23414-080012	GASKET, 8X1.0		1						
16	2	121257-55720	SPRING		1						
17	2	101720-55750	PLUG, 6		1						M
17-1	2	135210-51900	PLUG		1						
18	1	121236-77340	SPACER		2						
19	1	26106-060142	BOLT, M6X 14 PLATED		2						
20	1	26106-080162	BOLT, M8X 16 PLATED		1						
21	1	26106-080302	BOLT, M8X 30 PLATED		1						
22	1	26366-080002	NUT, M8		2						

Remarks
(M) MISPRINT.

Fig.40. FEED PUMP

Y00D4150
4TN78L-RGNCH

U71335-52100
D29411-59201
D29411-93120



(A)=
(B)=4TN78L-RGN
(C)=

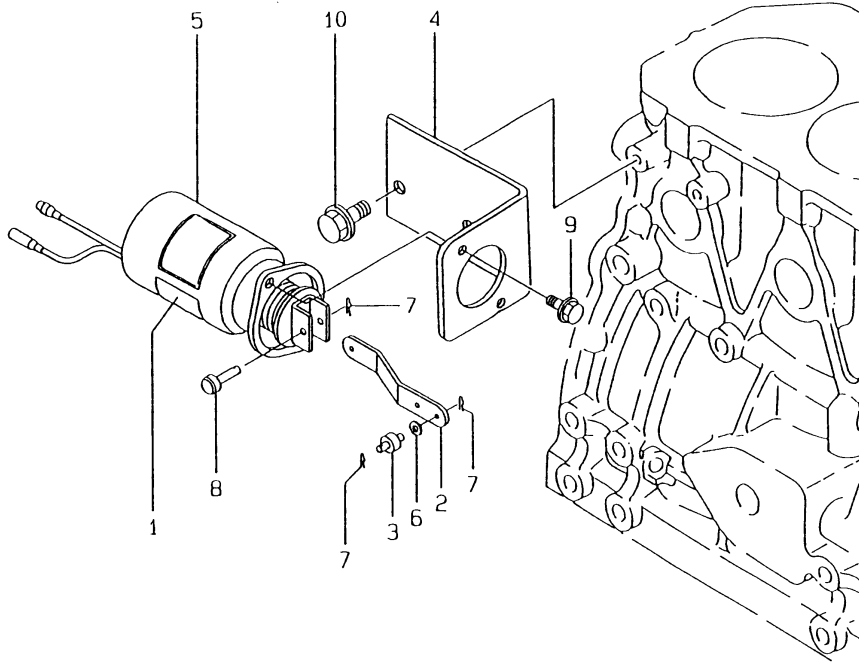
(D)=
(E)=
(F)=

No.	Lev.	Parts No.	Description	Qty						I	R
				(A)	(B)	(C)	(D)	(E)	(F)		
1	1	124790-52201	PUMP ASSY, FUEL FEED		1						
2	1	171375-52500	BRACKET, PUMP		1						
3	1	26106-060102	BOLT, M6X 10 PLATED		2						
4	1	26106-080162	BOLT, M8X 16 PLATED		2						
5	1	26106-100162	BOLT, M10X 16 PLATED		1						
6	1	105582-59150	BOLT, PIPE JOINT		2						
7	1	171375-59500	PIPE ASSY, FUEL		1						
11	1	129411-59510	PIPE ASSY, FUEL		1						
15	1	129411-59521	PIPE ASSY, FUEL		1						
18	1	23414-080012	GASKET, 8X1.0		4						
19	1	23414-120000	GASKET, 12X1.0		2						
20	1	23414-120000	GASKET, 12X1.0		2						
21	1	23414-120000	GASKET, 12X1.0		4						
22	1	23857-060000	BOLT, JOINT 6		1						
23	1	23857-060000	BOLT, JOINT 6		1						
24	1	23857-060000	BOLT, JOINT 6		2						
25	1	23414-120000	GASKET, 12X1.0		2						
26	1	23857-060000	BOLT, JOINT 6		1						

Fig.41. ENGINE STOPPING DEVICE

Y00D4150
4TN78L-RGNCH

029411-65100



(A)=
(B)=4TN78L-RGN
(C)=

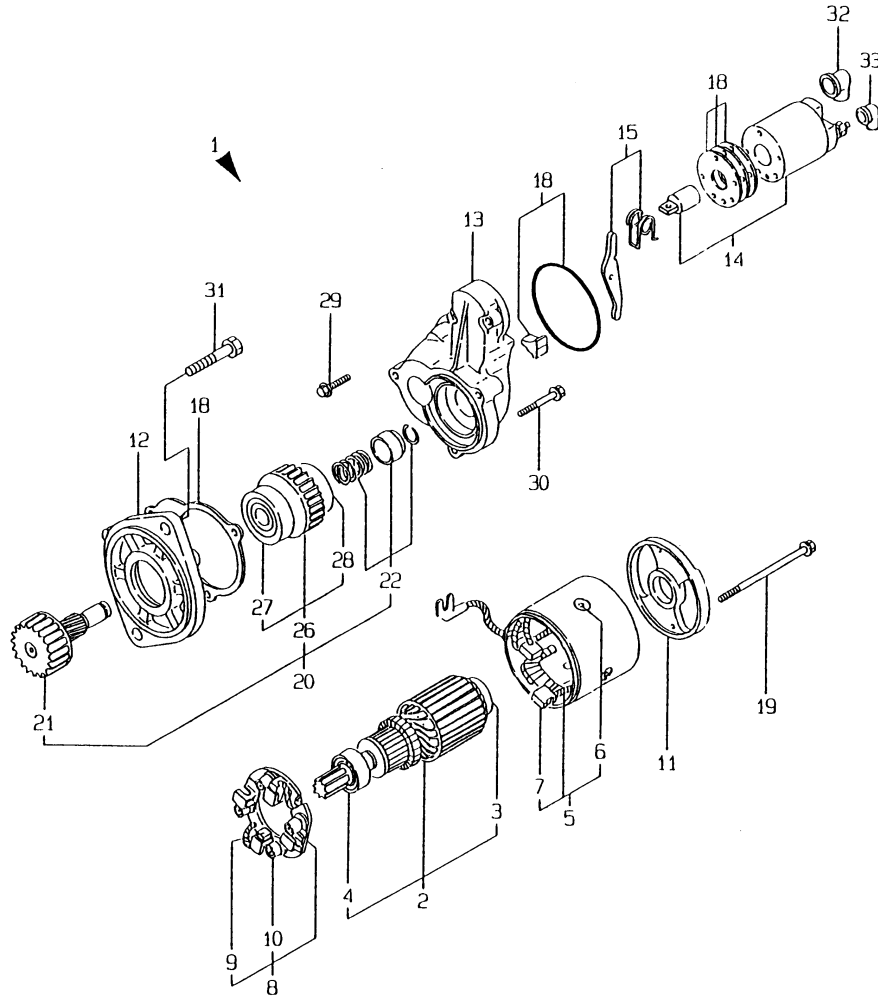
(D)=
(E)=
(F)=

No.	Lev.	Parts No.	Description	Q'ty						I	R	
				(A)	(B)	(C)	(D)	(E)	(F)			
1	1	171010-65100	LABEL		1							
2	1	171335-65110	LINK, SOLENOID		1							
3	1	171335-65120	PIN		1							
4	1	129410-65130	BRACKET, SOLENOID		1							
5	1	171335-77951	SOLENOID, MAGNETIC		1							
6	1	22117-050000	WASHER, 5		1							
7	1	22360-050000	SNAP PIN 5		3							
8	1	22487-050160	PIN, H 5X 16		1							
9	1	26106-060122	BOLT, M6X 12 PLATED		2							
10	1	26106-080142	BOLT, M8X 14 PLATED		2							

Fig.42. STARTING MOTOR

Y0004150
4TN78L-RGNCH1

029400-77130
029411-93120



(A)=
(B)=4TN78L-RGN
(C)=

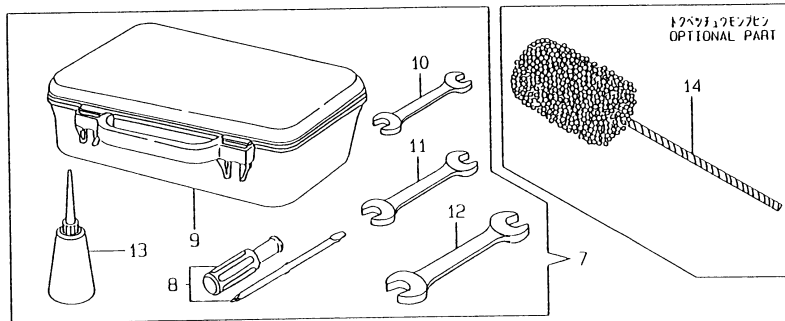
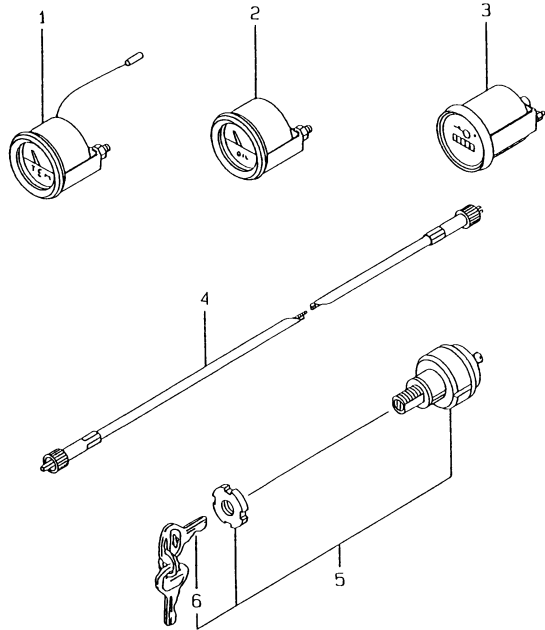
(D)=
(E)=
(F)=

No.	Lev.	Parts No.	Description	Q'ty						I	R
				(A)	(B)	(C)	(D)	(E)	(F)		
1	1	129400-77011	STARTER, S13-94A		1						
2	2	129400-77400	AMATURE ASSY.		1						
3	3	171008-77410	BEARING(1)		1						
4	3	171008-77420	BEARING(2)		1						
5	2	129400-77440	COIL ASSY, FIELD		1						
6	3	171008-77450	SCREW		4						
7	3	129400-77460	BRUSH (+)		2						
8	2	129400-77470	HOLDER ASSY, BRUSH		1						
9	3	129400-77480	BRUSH (-)		2						
10	3	129400-77490	SPRING, BRUSH		4						
11	2	129400-77510	COVER, REAR		1						
12	2	171008-77510	HOUSING ASSY, GEAR		1						
13	2	129400-77520	HOUSING, CENTER		1						
14	2	129400-77530	SWITCH ASSY,MAGNETIC		1						
15	2	171008-77540	LEVER SET, SHIFT		1						
18	2	129400-77570	COVER KIT, DUST		1						
19	2	129400-77640	BOLT, THROUGH		2						
20	2	171008-77650	PINION ASSY		1						
21	3	171008-77660	SHAFT, PINION		1						
22	3	171008-77670	STOPPER SET, PINION		1						
26	3	171008-77720	CLUTCH ASSY		1						
27	4	171008-77730	BALL BEARING (3)		1						
28	4	171008-77740	BALL BEARING (4)		1						
29	2	26106-060322	BOLT, M6X 32 PLATED		2						
30	2	26106-060402	BOLT, M6X 40 PLATED		3						
31	1	26116-120252	BOLT, M12X 25 PLATED		2						
32	1	124550-77020	COVER, TERMINAL		1						
33	1	124550-77030	COVER, TERMINAL		1						

Fig.43. ELECTRIC PARTS & TOOLS

Y00D4150
4TN78L-RGNCH1

029411-93120



(A)=
(B)=4TN78L-RGN
(C)=

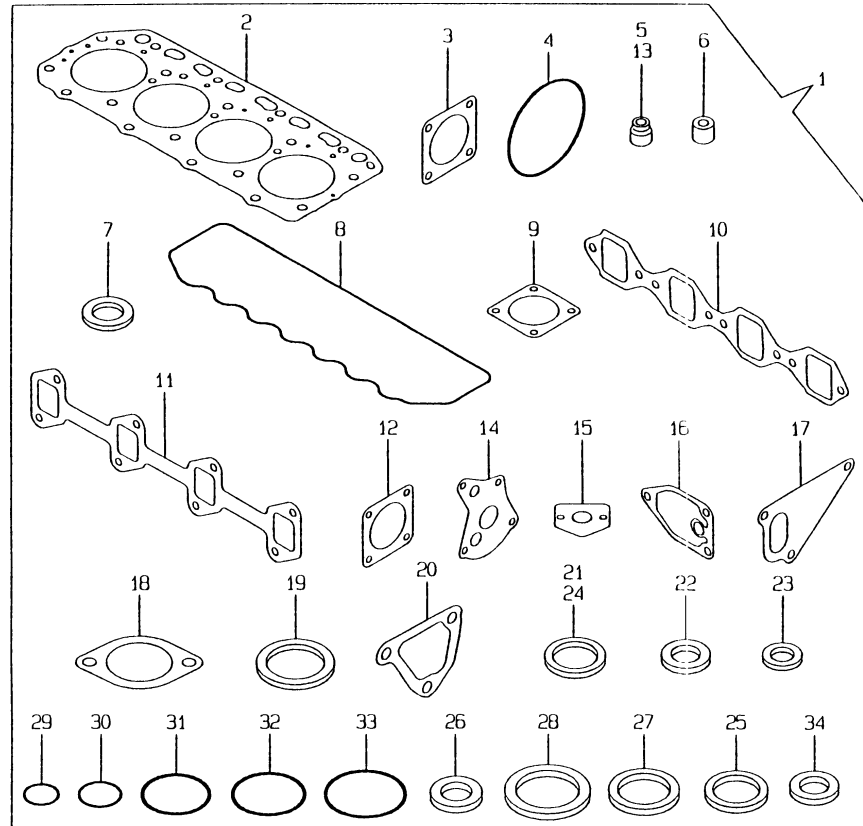
(D)=
(E)=
(F)=

No.	Lev.	Parts No.	Description	Q'ty						I	R	
				(A)	(B)	(C)	(D)	(E)	(F)			
1	1	171010-77850	THERMOSTAT		2							
2	1	171090-91010	GAUGE		1							
3	1	171014-91101	TACHOMETER		1							
4	1	42130-502220	CABLE, TACHOMETER		1							
5	1	121400-91251	SWITCH, STARTER		1							
6	2	121400-91271	KEY, SWITCH		1							
7	1	171001-93100	BOX, TOOL		1							
8	2	104200-92350	DRIVER, SCREW		1							
9	2	104200-92600	BOX, TOOL		1							
10	2	28110-100120	SPANNER, 10X12		1							
11	2	28110-140170	SPANNER, 14X17		1							
12	2	28110-190220	SPANNER, 19X22		1							
13	2	28210-000140	OILER		1							
14	1	129400-92420	FLEX HORN		1							1

Remarks
(1) OPTIONAL PART.

Fig.44. GASKET SET

Y00D4150
4TN78L-RGNCl1



(A)=
(B)=4TN78L-RGN
(C)=

(D)=
(E)=
(F)=

No.	Lev.	Parts No.	Description	Q'ty						I	R
				(A)	(B)	(C)	(D)	(E)	(F)		
1	1	729411-92640	GASKET SET		1						1
2	2	129555-01332	GASKET, HEAD		1						
3	2	124240-01883	GASKET		1						
4	2	121850-51960	O-RING		1						
5	2	124460-11340	SEAL, VALVE STEM		4						
6	2	119625-11870	PROTECTOR, NOZZLE		4						
7	2	119625-11880	SEAT, NOZZLE		4						
8	2	129550-11310	GASKET, BONNET		1						
9	2	129150-77511	GASKET		1						
10	2	129550-12111	GASKET, MANIFOLD		1						
11	2	129550-13110	GASKET		1						
12	2	129400-13201	GASKET, SILENCER		1						
13	2	121400-11340	SEAL, VALVE STEM		4						
14	2	129150-32020	GASKET, PUMP		1						
15	2	129150-35041	GASKET		1						
16	2	129150-35111	GASKET		1						
17	2	129100-42020	GASKET, WATER PUMP		1						
18	2	129795-49551	GASKET		1						
19	2	129150-49811	GASKET, THERMOSTAT		1						
20	2	129100-49840	GASKET		1						
21	2	104200-59170	GASKET, 12		2						
22	2	43400-500410	SEAL WASHER 8		2						
23	2	23414-100000	GASKET, 10X1.0		2						
24	2	23414-120000	GASKET, 12X1.0		10						
25	2	23414-060000	GASKET, 6X1.0		8						
26	2	23414-080012	GASKET, 8X1.0		6						
27	2	23414-140000	GASKET, 14X1.0		2						
28	2	124465-44950	GASKET, 16		2						
29	2	24311-000120	O-RING, 1AP12.0		3						
30	2	24311-000160	O-RING, 1AP16.0		3						
31	2	24311-000320	O-RING, 1AP32.0		2						
32	2	24341-000240	O-RING, 1AS24.0		2						
33	2	24341-000500	O-RING, 1AS50.0		1						
34	2	129150-49360	GASKET		1						

Remarks
(1) OPTIONAL PART.

Parts No. Index

Parts No.	Fig. No.	Ref. No.
101720-55750	18	12
		16
	39	13
		17
103338-11190	5	20
	27	20
103854-32050	18	10
	39	11
104200-59170	17	36
	22	35
	38	40
	44	21
104200-92350	22	2
	43	8
104200-92600	22	3
	43	9
105582-59150	16	6
	40	6
110250-55610	18	9
	39	10
114250-53080	17	5
	38	5
114250-53120	17	8
	38	8
114250-53130	17	9
	38	9
114250-53140	17	10
	38	10
114250-53210	17	11
	38	11
114250-53400	17	12
	38	12
119620-01750	3	3
	25	3
119625-11870	5	36
	22	40
	27	37
	44	6
119625-11880	5	37
	22	41
	27	38
	44	7
119629-49080	11	30
	33	30
119810-51040	14	6
119865-21600	9	16
	31	16
119865-35300	10	21
	32	24
119865-35310	10	22

Parts No.	Fig. No.	Ref. No.
119865-35310	32	25
119865-35320	10	23
	32	26
119865-35330	10	24
	32	27
119865-35350	10	28
	32	31
120130-11860	5	42
	27	43
121100-22400	9	24
	31	24
121111-21501	9	12
	31	12
121236-77340	18	17
	39	18
121250-44901	13	18
	35	18
121257-55720	18	15
	39	16
121370-55730	18	8
	39	9
121400-11340	5	33
	22	13
	27	34
	44	13
121400-91251	21	4
	43	5
121400-91271	21	5
	43	6
121450-01560	2	4
	24	2
121450-01570	12	1
	34	1
121450-32060	10	3
	32	3
121520-34810	10	13
	32	13
121550-23200	9	29
	31	29
121550-49111	11	33
	33	19
121850-11860	5	11
	11	1
	27	12
	33	1
121850-21680	9	11
	31	11
121850-51960	2	10
	22	11
	24	12

Parts No.	Fig. No.	Ref. No.
121850-51960	44	4
122117-51560	14	51
	36	55
122710-51050	14	8
	36	12
122710-51090	14	11
	36	15
123682-44210	11	21
	33	21
124097-77900	1	23 -1
	23	11 -1
124160-01751	2	5
	4	11
	24	7
	26	7
124160-01910	1	4
	23	4
		5
124160-11360	4	15
	26	17
124160-39140	10	34
	32	37
124160-39450	10	35
	32	45
124240-01871	2	7
	24	8
124240-01883	2	8
	22	10
	24	9
	44	3
124250-49351	10	30
	32	33
124460-11340	5	34
	22	14
	27	35
	44	5
124465-44950	13	21
	22	34
	35	21
	44	28
124550-51350	14	33
	36	37
124550-51370	14	34
	36	38
124550-59820	10	43
	32	42
124550-66370	15	66
	37	58
124550-77020	42	32
124550-77030	20	34

Parts No.	Fig. No.	Ref. No.
124550-77030	42	33
124574-44761	11	18
124701-11911	7	7
	22	20
124732-42290	11	15
	33	15
124736-07900	5	1
	27	1
124766-59050	11	32
	33	32
124770-11770	13	5
	35	5
124790-52201	16	1
	40	1
124950-51190	14	15
	36	19
128170-51300	14	28
	36	32
129001-42001	11	2 -1
	33	2 -1
129001-42040	11	35
	33	34
129100-01330	1	22
	22	9
129100-01580	3	1
		17
	9	2
	25	1
		17
	31	2
129100-01640	3	18
	25	18
129100-01730	3	6
129100-01770	3	8
129100-01790	3	11
	25	11
129100-11100	5	16
	27	3
129100-11130	5	18
	27	18
129100-11300	4	12
129100-23910	9	38
	31	40
129100-25061	8	7
	30	9
129100-25900	8	12
	30	14
129100-35301	10	16
129100-42002	11	2
	33	2

Parts No. Index

Parts No.	Fig. No.	Ref. No.
129100-42020	11	13
	22	24
	33	13
	44	17
129100-49050	13	16
	35	16
129100-49820	13	7
	35	7
129100-49830	13	8
	35	8
129100-49840	11	36
	13	11
	22	27
	33	35
	35	11
	44	20
129100-52200	14	91
	36	4
129100-53000	17	2
	38	2
129100-59810	17	24
129100-59811	17	24 -1
129100-59820	17	28
129100-59821	17	28 -1
129100-59830	17	32
129100-59831	17	32 -1
129100-59850	17	53
	38	57
129100-59951	17	52
	38	56
129100-59961	17	56
	38	60
129100-59970	17	57
	38	61
129100-61400	15	22
	37	16
129100-61500	15	39
	37	33
129100-61510	15	51
	37	45
129100-61821	15	61
	37	55
129100-61910	15	54
	37	48
129100-61920	15	55
	37	49
129100-61930	15	64
129103-11000	5	3
129111-13350	7	8
129111-44560	11	24

Parts No.	Fig. No.	Ref. No.
129132-49050	13	16 -1
		16 -2
	35	16 -1
		16 -2
129150-01200	1	21
	23	26
129150-02020	1	9
	23	17
129150-02450	1	19
	30	4
129150-02800	1	12
	23	20
129150-02870	1	24
	23	28
129150-02930	1	15
	23	23
129150-02940	1	27
	23	31
129150-03020	4	1
	26	8
129150-03070	4	2
	26	9
129150-03080	4	3
	26	10
129150-03090	4	6
	26	1
129150-03100	4	7
	24	11
129150-11050	5	6
129150-11230	5	29
	27	29
129150-11280	5	24
	27	24
129150-11290	5	25
129150-11310	4	14
	22	15
129150-11370	5	35
	27	36
129150-11750	5	31
	27	31
129150-11810	5	43
	27	44
129150-12100	6	1
129150-12111	6	2
	22	17
129150-13110	7	2
	22	19
129150-14011	8	1
129150-14101	8	3
	30	7

Parts No.	Fig. No.	Ref. No.
129150-14200	8	4
	30	1
129150-14400	8	5
	30	2
129150-21200	9	5
	31	5
129150-22300	9	23
	31	23
129150-23600	9	30
	31	30
129150-23610	9	39
	31	38
129150-25101	8	8
	30	10
129150-32000	10	1
	32	1
129150-32020	10	11
	22	21
	32	11
	44	14
129150-32080	10	4
	32	4
129150-32150	10	5
	32	5
129150-35041	10	15
	22	22
	32	15
	44	15
129150-35111	10	19
	22	23
	32	22
	44	16
129150-35150	10	20
	32	23
129150-35340	10	25
	32	28
129150-35350	10	29
	32	32
129150-39450	10	36
129150-49080	11	28
	33	28
129150-49100	11	27
	33	27
129150-49360	10	31
	22	37
	32	34
	44	34
129150-49811	13	10
	22	26
	35	10

Parts No.	Fig. No.	Ref. No.
129150-49811	44	19
129150-59120	17	19
129150-59130	17	22
	38	22
129150-77511	6	11
	22	18
	28	12
	44	9
129150-91400	2	23
	24	25
129155-11241	5	21
129155-11260	5	22
	27	22
129155-11270	5	23
	27	23
129155-49800	13	3
	35	3
129155-51020	14	5
	36	9
129155-51140	14	12
	36	16
129155-51180	14	14
	36	18
129155-51200	14	16
	36	20
129155-51270	14	26
	36	30
129155-51280	14	27
	15	2
	36	31
	37	2
129155-51320	14	31
	36	35
129155-51340	14	32
	36	36
129155-51370	14	35
	36	39
129155-51380	14	36
	36	40
129155-51390	14	37
	36	41
129155-51400	14	38
129155-51410	14	39
	36	43
129155-51420	14	40
	36	44
129155-51450	14	41
	36	45
129155-51500	14	46
129155-51521	14	47

Parts No. Index

Parts No.	Fig. No.	Ref. No.
129155-51521	36	51
129155-51530	14	48
	36	52
129155-51540	14	49
	36	53
129155-51550	14	50
	36	54
129155-51570	14	53
	36	57
129155-51580	14	54
	36	58
129155-51591	14	55
	36	59
129155-51600	14	56
	36	60
129155-51700	14	75
129155-51710	14	76
129155-51750	14	77
129155-51760	14	78
129155-51790	14	79
	36	83
129155-52050	14	90
	36	3
129155-61011	15	4
	37	3
129155-61050	15	6
	37	5
129155-61060	15	7
	37	6
129155-61070	15	8
	37	7
129155-61090	15	9
129155-61120	15	10
	37	8
129155-61130	15	11
	37	9
129155-61140	15	12
	37	10
129155-61150	15	13
129155-61160	15	14
129155-61170	15	15
129155-61180	15	16
129155-61201	15	17
	37	11
129155-61341	15	21
	37	15
129155-61430	15	25
	37	19
129155-61450	15	30
	37	24

Parts No.	Fig. No.	Ref. No.
129155-61460	15	31
	37	25
129155-61470	15	32
	37	26
129155-61480	15	33
	37	27
129155-61490	15	38
	37	32
129155-61520	15	52
	37	46
129155-61530	15	53
	37	47
129155-61540	15	57
	37	51
129155-61802	37	53
129155-61810	15	60
	37	54
129155-61830	15	62
	37	56
129155-61845	15	63
129155-61950	15	65
	37	57
129156-51910	14	80
	36	84
129255-52000	36	2
129350-49530	13	1
	35	1
129350-49560	13	1 -1
	35	1 -1
129400-01500	2	1
129400-01520	2	3
	24	1
129400-01590	24	3
129400-01730	25	6
129400-01770	25	8
129400-11300	26	11
129400-11350	26	6
129400-12100	28	1
129400-13201	29	7
	44	12
129400-51200	14	23
	36	27
129400-59810	38	24
129400-59820	38	28
129400-59830	38	32
129400-59840	38	36
129400-77011	42	1
129400-77330	12	7
	34	7
129400-77400	42	2

Parts No.	Fig. No.	Ref. No.
129400-77440	42	5
129400-77460	42	7
129400-77470	42	8
129400-77480	42	9
129400-77490	42	10
129400-77510	42	11
129400-77520	42	13
129400-77530	42	14
129400-77570	42	18
129400-77640	42	19
129400-92420	22	42
	43	14
129402-51000	36	6
129403-11100	27	4
129403-22090	9	17
	31	17
129403-42380	11	16
	33	16
129403-44740	33	17
129410-65130	41	4
129410-77330	12	7 -1
	34	7 -1
129411-13100	29	1
129411-13350	29	8
129411-44560	33	24
129411-55690	39	6
129411-59510	40	11
129411-59521	40	15
129411-59530	38	42
129411-59551	38	50
129436-35090	32	16
129470-11080	5	7
	27	8
129470-11090	5	8
	27	9
129470-12210	6	4
	28	5
129470-39610	10	41
	32	47
129470-51040	36	10
129470-51060	14	9
	36	13
129470-51080	14	10
	36	14
129470-55601	18	2
	39	2
129470-55610	18	3
	39	3
129470-55701	18	4
	39	4

Parts No.	Fig. No.	Ref. No.
129491-59540	17	45
	38	49
129495-59300	17	37
	38	41
129500-61650	15	58
	37	52
129500-61700	15	59
	37	75
129550-11290	27	25
129550-11310	26	13
	44	8
129550-12111	28	2
	44	10
129550-13110	29	2
	44	11
129550-39450	32	38
129550-59120	38	19
129555-01332	23	27
	44	2
129555-11241	27	21
129555-51400	36	42
129555-51500	36	50
129555-51700	36	79
129555-51710	36	80
129555-51750	36	81
129555-51760	36	82
129795-01780	3	20
	25	20
129795-01800	2	6
	24	6
129795-01950	2	9
	24	10
129795-02411	1	18
	23	15
129795-11120	5	17
	27	17
129795-11180	5	19
	27	19
129795-12501	6	7
	28	8
129795-12520	6	8
	28	9
129795-12530	6	9
	28	10
129795-12540	6	10
	28	11
129795-21661	9	10
	31	10
129795-49551	13	2
	22	25

Parts No. Index

Parts No.	Fig. No.	Ref. No.
129795-49551	35	2
	44	18
135210-51900	39	17 -1
144626-91560	10	44
	32	49
160610-55460	18	1
	39	1
171001-93100	22	1
	43	7
171008-77010	20	1
171008-77400	20	2
171008-77410	20	3
	42	3
171008-77420	20	4
	42	4
171008-77440	20	6
171008-77450	20	7
	42	6
171008-77460	20	8
171008-77470	20	9
171008-77480	20	10
171008-77490	20	11
171008-77500	20	12
171008-77510	20	13
	42	12
171008-77520	20	14
171008-77530	20	15
171008-77540	20	16
	42	15
171008-77571	20	19
171008-77640	20	20
171008-77650	20	21
	42	20
171008-77660	20	22
	42	21
171008-77670	20	23
	42	22
171008-77720	20	27
	42	26
171008-77730	20	28
	42	27
171008-77740	20	29
	42	28
171008-77750	20	30
171010-65100	19	1
	41	1
171010-77850	21	1
	43	1
171011-44301	12	3
	34	3

Parts No.	Fig. No.	Ref. No.
171014-91101	21	3
	43	3
171021-77990	20	35
171081-55900	18	6
	39	7
171081-55910	18	11
	39	12
171090-91010	21	2
	43	2
171301-01600	3	2
	25	2
171301-01640	3	9
	25	9
171301-21650	31	9
171301-49010	11	25
171301-49020	11	26
171335-61000	36	5
	37	1
171335-65110	19	2
	41	2
171335-65120	19	3
	41	3
171335-65130	19	4
171335-77951	19	5
	41	5
171340-21580	9	13
171340-21650	9	9
171340-44740	11	17
171350-13100	7	1
171375-35100	10	18
	32	21
171375-39600	10	40
	32	46
171375-44300	12	2
	34	2
171375-44320	12	4
	34	4
171375-44900	13	19
	35	19
171375-44910	13	20
	35	20
171375-49800	13	4
	35	4
171375-52500	16	2
	40	2
171375-55612	18	5
	39	5
171375-59500	16	7
	40	7
171375-59511	16	11

Parts No.	Fig. No.	Ref. No.
171375-59521	16	15
171375-59530	17	38
171375-59551	17	46
171420-21580	31	13
171420-34820	10	14
	32	14
171420-49010	33	25
171420-49020	33	26
171440-44500	11	20
171460-44500	33	20
171488-61440	15	29
	37	23
174307-51170	14	13
	36	17
174307-51560	14	52
	36	56
174307-51700	15	40
	37	34
194990-22050	7	3
	29	3
22117-040000	15	67
	37	59
22117-050000	19	6
	41	6
22217-050000	15	68
22217-060000	14	81
	36	85
22217-120000	8	13
	30	15
22272-000040	15	69
	37	60
22272-000060	15	70
	37	61
22287-120000	14	82
	15	71
	37	62
22351-030016	15	72
	37	63
22351-040010	9	8
	31	8
22351-050010	14	83
	36	86
22351-060012	5	38
	27	39
22360-050000	19	7
	41	7
22372-040000	15	73
	37	64
22487-050160	19	8
	41	8

Parts No.	Fig. No.	Ref. No.
22512-070140	8	6
	9	6
	30	8
	31	6
23000-016000	13	17
	35	17
23000-060000	6	12
	28	13
23010-038000	11	34
	33	33
23161-020100	10	42
	32	48
23414-060000	17	60
	22	31
	38	64
	44	25
23414-080000	10	45
	22	32
	23	12
23414-080012	16	18
	17	61
	18	14
	22	38
	38	65
	39	15
	40	18
	44	26
23414-100000	10	46
	22	33
	32	43
	44	23
23414-120000	16	19
		20
		21
		25
	22	36
	40	19
		20
		21
		25
	44	24
23414-140000	17	62
	22	39
	38	66
	44	27
23418-060000	18	13
	39	14
23851-030000	17	63
	38	67
23857-060000	16	22

Parts No. Index

Parts No.	Fig. No.	Ref. No.	
23857-060000	16	23	
		24	
		26	
	40	22	
		23	
		24	
		26	
	23871-010000	1	5
		6	6
		23	6
28		7	
23871-030000	5	12	
	11	12	
		12	-1
	23	7	
	27	13	
	28	3	
	33	12	
		12	-1
	23887-100002	15	74
		37	65
24190-080001	17	58	
	38	62	
24311-000120	4	16	
	22	30	
	26	18	
	44	29	
24311-000160	2	11	
	10	32	
	22	28	
	24	13	
	32	35	
	44	30	
24311-000320	2	12	
	4	17	
	22	12	
	24	14	
	26	14	
	44	31	
24311-240100	37	66	
24321-000300	11	37	
	33	36	
24341-000160	14	84	
	36	87	
24341-000240	2	25	
	3	12	
	22	29	
	24	27	
	25	12	
	44	32	

Parts No.	Fig. No.	Ref. No.
24341-000500	4	4
	22	16
	26	15
	44	33
26013-080142	11	22
	33	22
	33	18
26014-060162	11	19
26014-060252	12	8
26014-080252	34	8
26022-050102	14	85
		86
	36	88
	37	67
26022-060122	15	56
	37	50
26022-060162	14	87
	36	89
26106-060102	16	3
	40	3
26106-060122	19	9
	41	9
26106-060142	18	18
	39	19
26106-060162	2	26
	24	28
26106-060202	15	75
	37	68
26106-060322	20	31
	42	29
26106-060402	20	32
	42	30
26106-080122	2	13
	23	14
	24	15
26106-080142	5	2
	19	10
	27	2
	41	10
26106-080162	1	20
	2	14
		15
	3	13
	4	5
	6	13
	16	4
	18	19
	23	16
	24	16
		17

Parts No.	Fig. No.	Ref. No.	
26106-080162	25	13	
	26	16	
	28	14	
	39	20	
	40	4	
	26106-080182	11	38
		33	37
	26106-080202	2	16
		10	33
		13	12
	24	18	
	32	36	
	35	12	
26106-080252	3	14	
	5	39	
	6	3	
	13	13	
	25	14	
	27	40	
	35	13	
26106-080302	3	21	
	25	21	
	39	21	
26106-080352	3	22	
	10	17	
	25	22	
	28	4	
	32	20	
26106-080452	2	17	
	3	15	
	8	11	
	24	19	
	25	15	
	30	13	
26106-080502	3	16	
	5	40	
	13	14	
	25	16	
	27	41	
	35	14	
26106-080552	2	18	
	24	20	
26106-080602	11	14	
	13	15	
	33	14	
	35	15	
26106-080802	7	4	
	29	4	
26106-080852	2	19	
	24	21	

Parts No.	Fig. No.	Ref. No.
26106-100162	16	5
	40	5
26116-050302	14	2
	36	90
26116-060162	13	9
	35	9
26116-120252	20	33
	42	31
26206-100252	3	4
	25	4
26206-100302	3	5
	25	5
26216-060202	5	13
	27	14
26216-080222	7	5
	29	5
26216-080802	7	6
	29	6
26226-080182	5	32
	27	32
26366-060002	5	41
	27	42
26366-080002	2	20
	11	23
	15	76
	18	20
	24	22
	33	23
	37	69
	39	22
26366-100002	12	6
	34	6
26450-060252	10	12
	32	12
26557-050102	15	77
26687-120002	37	76
26706-100002	12	5
	34	5
26716-060002	14	88
	36	91
26716-120002	8	14
	30	16
26756-060002	15	78
	37	70
26756-080002	27	33
26776-120002	15	79
	37	71
26777-120002	15	80
27231-500000	1	6
	23	8

Parts No. Index

Parts No.	Fig. No.	Ref. No.
27241-100000	5	27
	17	59
	27	27
	38	63
27241-120000	1	7
	23	9
27241-220000	5	14
	27	15
27241-300000	1	8
	23	10
27241-400000	5	15
	27	16
27310-080001	27	20 -1
28110-100120	22	4
	43	10
28110-140170	22	5
	43	11
28110-190220	22	6
	43	12
28210-000140	22	7
	43	13
42130-502220	21	6
	43	4
43400-500390	15	81
	37	72
43400-500410	2	21
		22
	24	23
		24
	32	44
	44	22
43400-500430	15	82
	37	73
43400-500450	15	1
	37	74
43400-500490	14	89
	36	92
43551-001451	17	64
	38	68
46150-504600	1	23
	23	11
729100-01560	1	1
729100-53300	17	1
729100-92600	22	8
729102-21700	9	1
729105-22900	31	32
729111-51410	14	1
729111-53100	38	1
729157-22951	31	34
729400-01560	23	1

Parts No.	Fig. No.	Ref. No.
729400-21700	31	1
729402-11650	5	28
	27	28
729402-14580	30	3
729402-23100	9	25
	31	25
729403-22500	9	19
	31	19
729403-22900	9	32
729411-51420	36	1
729411-92640	44	1
729550-22950	9	34

Parts No.	Fig. No.	Ref. No.
-----------	----------	----------

Parts No.	Fig. No.	Ref. No.
-----------	----------	----------