

0CD10-M40700EN

PREFACE

1. This Parts Catalog is the 1st edition of 3TN75,3,4TN82L-RNF Diesel Engine for NISHIHATSU.

Pub. No. : 000Y00D4070

Published : June,1991

2. Model name

Engine model	Vehicle		Vehicle made by
	Products	Model name	
3TN75,3,4TN82L-RNF	—	—	NISHIHATSU

Directions for the Parts Catalog.

1. This Parts Catalog shows both standard and optional parts.
2. Parts may change without prior notice.
3. The following is an example of the Parts Catalog format.

REF.	LEV.	PARTS NO.	DESCRIPTION	Q'TY						I	R
				(A)	(B)	(C)	(D)	(E)	(F)		
1	1	729595-51390	FUEL INJECTION PUMP	1	1	1	1	1			1
1-1	1	729595-51391	FUEL INJECTION PUMP	1	1	1	1	1		N	1
		(A=E00185) (B=E00200)									
3	2	26022-060162	SCREW M 6X 16	9	9	9	9	9			
3-1	2	26022-060162	SCREW M 6X 16	4	4	4	4	4		K	
		(A=E00156) (B=E00156) (C=E00156) (D=E00156) (E=E00156)									
4	2	129470-51040	CAMSHAFT	1	1	1	1	1			
5	2	122710-51050	BEARING, ROLLER	2	2	2	2	2			
6	2	129470-51060	RETAINER	1	1	1	1	1			

Remarks
(1) BOOST COMPEMSATOR TYPE. OPTIONAL PART, TO E00155,(4JH-DT, 4JH-DTZ

① Ref. No.

The Ref. No. listed may not be in accordance with the illustration Ref. No.

(Ex.) Illustration No.

List Ref No.

1

1

(Before change)

1-1

(After change)

For interchangeable symbols N, R and K, illustrations for new parts may be abbreviated.

② Lev. (Level)

Level indication

The numbers below indicate the level of relativity towards the main part.

1 ----- Main parts (Assembly parts)

2 ----- Sub component included in " 1 ".

3 ----- Sub component included in " 2 ".

Note) Parts that are not for sale are partially illustrated but not listed.

③ Interchangeability Symbol

When a part change takes place, one of the following interchangeability symbols is indicated beside the part.

Symbol	Interchangeability	Contents note
N	Old $\begin{matrix} \leftarrow \text{Yes} \\ \text{No} \rightarrow \end{matrix}$ New	New Part is interchangeable for Old Part but Old Part is not interchangeable for New Part.
Q	Old $\begin{matrix} \leftarrow \text{No} \\ \text{Yes} \rightarrow \end{matrix}$ New	New Part is not interchangeable for Old Part but Old Part is interchangeable for New Part.
R	Old $\begin{matrix} \leftarrow \text{Yes} \\ \text{Yes} \rightarrow \end{matrix}$ New	New/ Old Parts are both interchangeable.
S	Old $\begin{matrix} \leftarrow \text{No} \\ \text{No} \rightarrow \end{matrix}$ New	New/ Old Parts are both not interchangeable.
W		Part newly added.
Z		Part discontinued.
F		Not interchangeable by a single part but interchangeable together with related parts.
K		Changes only for used parts quantities.

④ Effective Machine No.

When a part changes, the effective Machine No. will be indicated in the (A)-(F) column.

Product Symbol	Product No.	Product Symbol	Product No.
C	Clutch No. Compressor No.	F	Machine No. (Agricultural Equip.)
D	Drive No.	M	Machine No.
E	Engine No.		

Note 1) A date may follow the symbol. (Ex.) 1996.01

Note 2) "XXXXX" and "ZZZZZ" are for parts that could not be predicted or for engine models that could not be identified.

Note 3) (A=E00185) is the E (Engine Serial Number) for the column (A) model (in this case 4JH-DT) after the parts design change.

⑤ Remarks

Figures or alphabets (symbols) are entered in the remarks column.

The comments (remarks) on parts that are indicated at the bottom of the illustration are the same symbols as those stated above.

Contents

Fig. No.	Fig. Name	Fig. No.	Fig. Name
ENG. 3TN75,3,4TN82L-RNF			
1.	CYLINDER BLOCK		
2.	CYLINDER BLOCK		
3.	GEAR HOUSING		
4.	FLYWHEEL HOUSING		
5.	LUB. OIL SUMP		
6.	CYLINDER HEAD & BONNET		
7.	CYLINDER HEAD & BONNET		
8.	CYLINDER HEAD & BONNET		
9.	SUCTION MANIFOLD & AIR CLEANER		
10.	SILENCER		
11.	EXHAUST MANIFOLD		
12.	CAMSHAFT & DRIVE GEAR		
13.	CRANKSHAFT & PISTON		
14.	LUBRICATING OIL SYSTEM		
15.	COOLING WATER SYSTEM		
16.	RADIATOR & COOLING WATER PIPE		
17.	FUEL INJECTION SYSTEM		
18.	FUEL INJECTION SYSTEM		
19.	FUEL INJECTION PIPE		
20.	FUEL OIL PIPE		
21.	GOVERNOR		
22.	STARTING MOTOR(COMPONENT PART)		
23.	GENERATOR(COMPONENT PART)		
24.	GASKET SET (OPTIONAL) & TOOL		

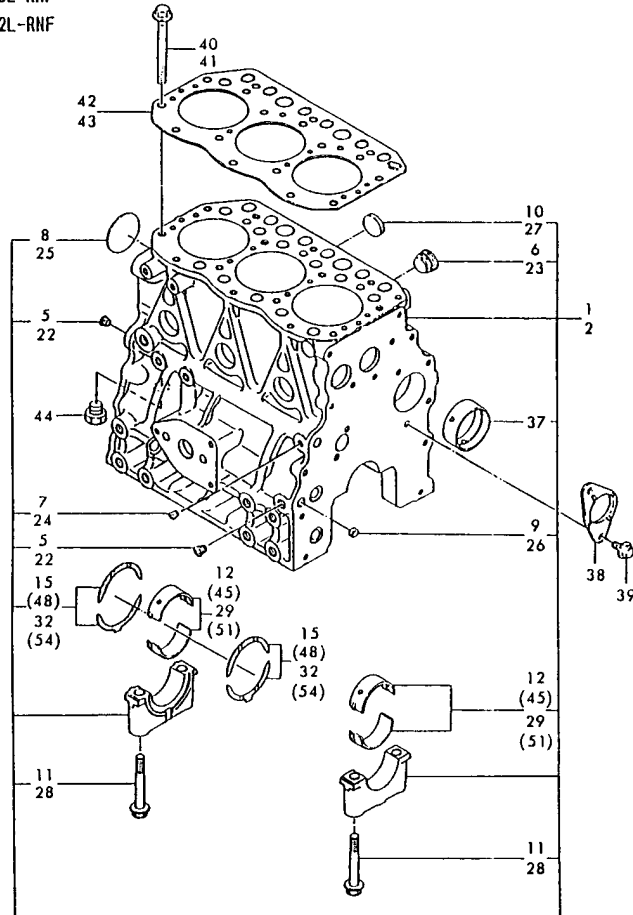
Fig.1. CYLINDER BLOCK

(A)=3TN75L-RNF
 (B)=3TN82L-RNF
 (C)=4TN82L-RNF

(D)=
 (E)=
 (F)=

019810-01100
 029102-01100
 019865-02100
 029150-02100
 029150-02200

3TN75L-RNF
 3TN82L-RNF



No.	Lev.	Parts No.	Description	Q'ty						I	R
				(A)	(B)	(C)	(D)	(E)	(F)		
1	1	719810-01560	BLOCK ASSY, CYLINDER	1							
2	1	729151-01560	BLOCK ASSY, CYLINDER		1						
5	3	124160-01910	PLUG, PT1/4	2							
6	3	171051-01921	PLUG, NPTF1	1							
7	3	23871-010000	PLUG, R01	1							
8	3	27231-500000	PLUG 50	1							
9	3	27241-120000	PLUG, 12	2							
10	3	27241-300000	PLUG 30	6							
11	2	119620-02020	BOLT, METAL CAP	8							
12	2	719810-02800	BEARING, MAIN	4							
15	2	719810-02930	BEARING, THRUST	2							
22	3	124160-01910	PLUG, PT1/4			3					
23	3	171051-01921	PLUG, NPTF1	1							
24	3	23871-010000	PLUG, R01	1							
25	3	27231-500000	PLUG 50	1							
26	3	27241-120000	PLUG, 12	2							
27	3	27241-300000	PLUG 30	6							
28	2	129150-02020	BOLT, METAL CAP	8							
29	2	129150-02800	BEARING, MAIN	4							
32	2	129150-02930	BEARING, THRUST	2							
37	2	129795-02411	BUSH, CAMSHAFT	1	1						
38	1	129150-02450	BEARING, THRUST	1	1						
39	1	26106-080162	BOLT, M8X 16 PLATED	2	2						
40	1	119810-01200	BOLT, HEAD	14							
41	1	129150-01200	BOLT, HEAD	14							
42	1	119865-01331	GASKET, HEAD T=1.4	1							
43	1	129156-01332	GASKET, HEAD	1							
44	1	23887-120002	PLUG, 12	1							
45	1	119810-02870	BEARING, 0.25 US	4							1
48	1	119810-02940	BEARING, THRUST 0.25	2							2
51	1	129150-02870	BEARING, 0.25 US	4							1
54	1	129150-02940	BEARING, THRUST 0.25	2							2

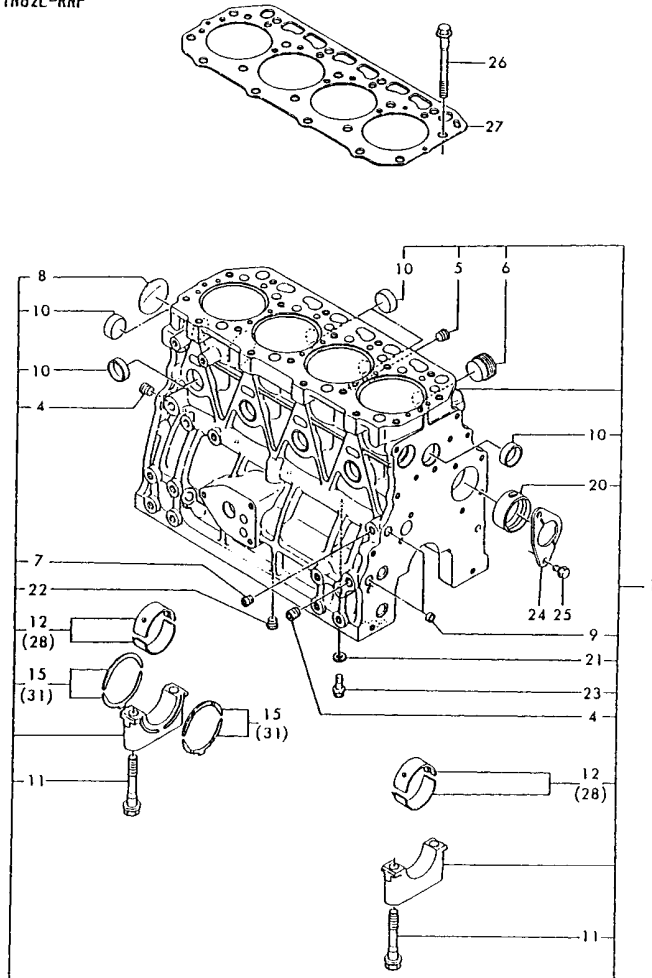
Remarks

- (1) UNDER-SIZED(U.S=0.25)PART.
- (2) OVER-SIZED(O.S=0.25)PART.

Fig.2. CYLINDER BLOCK

029402-01110
 029400-01820
 029550-02100
 029150-02200

4TN82L-RNF



(A)=3TN75L-RNF
 (B)=3TN82L-RNF
 (C)=4TN82L-RNF

(D)=
 (E)=
 (F)=

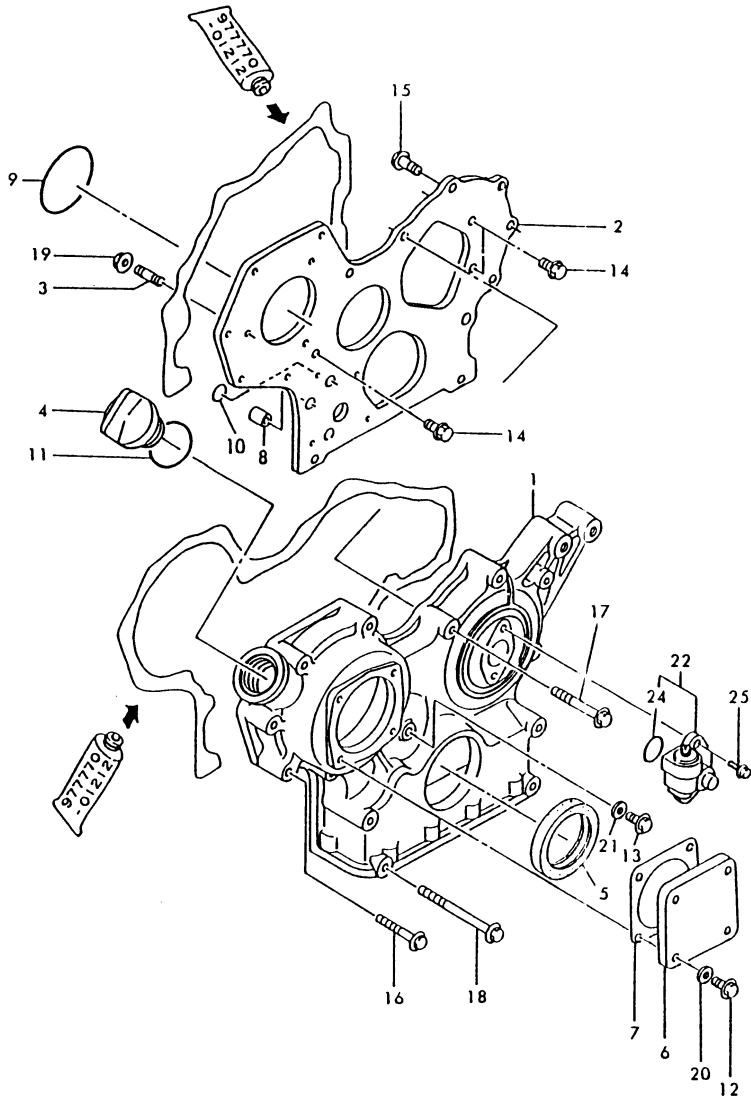
No.	Lev.	Parts No.	Description	Qty						I	R	
				(A)	(B)	(C)	(D)	(E)	(F)			
1	1	729402-01560	BLOCK ASSY, CYLINDER			1						
4	3	124160-01910	PLUG, PT1/4			2						
5	3	124160-01910	PLUG, PT1/4			1						
6	3	171051-01921	PLUG, NPTF1			1						
7	3	23871-010000	PLUG, R01			1						
8	3	27231-500000	PLUG 50			1						
9	3	27241-120000	PLUG, 12			2						
10	3	27241-300000	PLUG 30			8						
11	2	129150-02020	BOLT, METAL CAP			10						
12	2	129150-02800	BEARING, MAIN			5						
15	2	129150-02930	BEARING, THRUST			2						
18	2	129150-02300	CAP, MAIN BEARING			1						
19	2	129150-02310	CAP, MAIN BEARING			4						
20	2	129795-02411	BUSH, CAMSHAFT			1						
21	2	23414-080000	GASKET, 8X1.0			4						
22	2	23871-030000	PLUG, R03			1						
23	2	26106-080122	BOLT, M8X 12 PLATED			4						
24	1	129150-02450	BEARING, THRUST			1						
25	1	26106-080162	BOLT, M8X 16 PLATED			2						
26	1	129150-01200	BOLT, HEAD			18						
27	1	129402-01321	GASKET, HEAD			1						
28	1	129150-02870	BEARING, 0.25 US			4						1
31	1	129150-02940	BEARING, THRUST 0.25			2						2

Remarks

- (1) UNDER-SIZED(U.S=0.25)PART.
- (2) OVER-SIZED(O.S=0.25)PART.

Fig.3. GEAR HOUSING

D29400-01210
D29150-91100



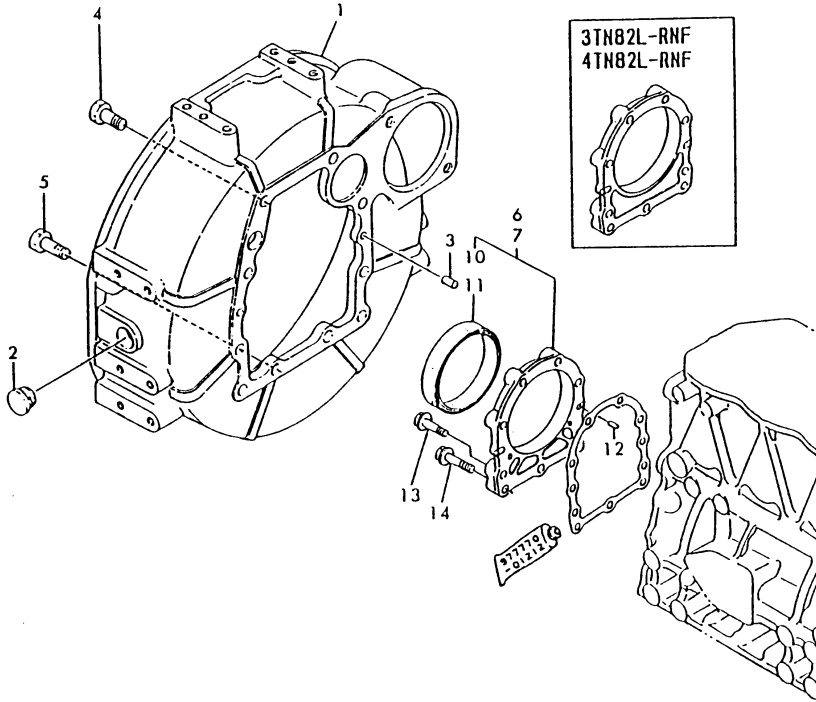
(A)=3TN75L-RNF
(B)=3TN82L-RNF
(C)=4TN82L-RNF

(D)=
(E)=
(F)=

No.	Lev.	Parts No.	Description	Q'ty						I	R
				(A)	(B)	(C)	(D)	(E)	(F)		
1	1	129400-01500	CASE, GEAR	1	1	1					
2	1	129400-01520	FLANGE, GEAR CASE	1	1	1					
3	1	121450-01560	STUD, M8X22	3	3	3					
4	1	124160-01751	COVER, FILLER	1	1	1					
5	1	129795-01800	SEAL, OIL	1	1	1					
6	1	124240-01871	COVER	1	1	1					
7	1	124240-01883	GASKET	1	1	1					
8	1	129795-01950	PIPE, KNOCK L=18	2	2	2					
9	1	121850-51960	O-RING	1	1	1					
10	1	24311-000160	O-RING, 1AP16.0	2	2	2					
11	1	24311-000320	O-RING, 1AP32.0	1	1	1					
12	1	26106-080122	BOLT, M8X 12 PLATED	4	4	4					
13	1	26106-080162	BOLT, M8X 16 PLATED	1	1	1					
14	1	26106-080162	BOLT, M8X 16 PLATED	3	3	3					
15	1	26106-080202	BOLT, M8X 20 PLATED	2	2	2					
16	1	26106-080452	BOLT, M8X 45 PLATED	6	6	6					
17	1	26106-080552	BOLT, M8X 55 PLATED	3	3	3					
18	1	26106-080852	BOLT, M8X 85 PLATED	4	4	4					
19	1	26366-080002	NUT, M8	3	3	3					
20	1	43400-500410	SEAL WASHER 8S	4	4	4					
21	1	43400-500410	SEAL WASHER 8S	1	1	1					
22	1	129150-91400	GEAR	1	1	1					
24	2	24341-000240	O-RING, 1AS24.0	1	1	1					
25	1	26106-060162	BOLT, M6X 16 PLATED	2	2	2					

Fig.4. FLYWHEEL HOUSING

029100-01310
 019800-01500
 029100-01510



(A)=3TN75L-RNF
 (B)=3TN82L-RNF
 (C)=4TN82L-RNF

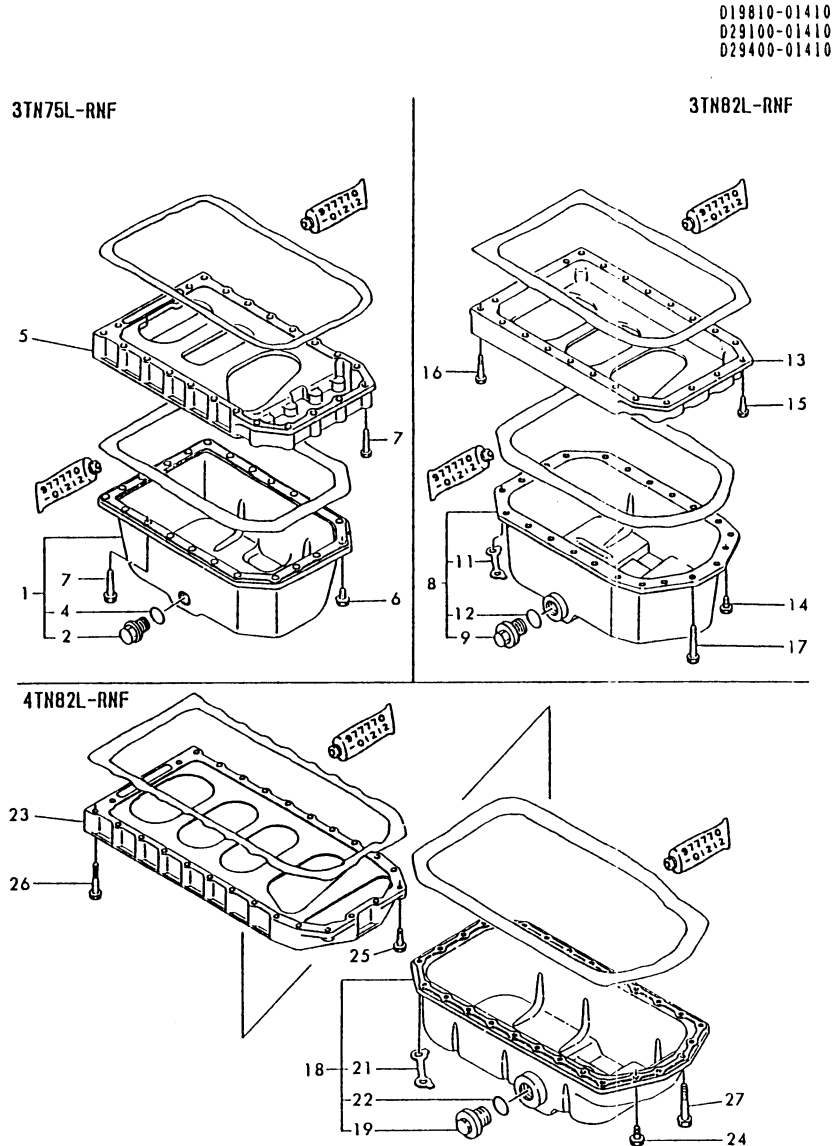
(D)=
 (E)=
 (F)=

No.	Lev.	Parts No.	Description	Qty						I	R
				(A)	(B)	(C)	(D)	(E)	(F)		
1	1	171301-01600	HOUSING, FLYWHEEL	1	1	1					
2	1	119620-01750	CAP	1	1	1					
3	1	129100-01580	PIN, M8X16	2	2	2					
4	1	26206-100252	BOLT, M10X 25 PLATED	6	6	6					
5	1	26206-100302	BOLT, M10X 30 PLATED	4	4	4					
6	1	119860-01640	CASE ASSY, OIL SEAL	1							
7	1	129100-01640	CASE ASSY, OIL SEAL		1	1					
10	2	119810-01780	SEAL, 769310	1							
11	2	129795-01780	SEAL, OIL		1	1					
12	1	129100-01580	PIN, M8X16	2	2	2					
13	1	26106-080302	BOLT, M8X 30 PLATED	6	6	6					
14	1	26106-080352	BOLT, M8X 35 PLATED	3	3	3					

Fig.5. LUB. OIL SUMP

(A)=3TN75L-RNF
 (B)=3TN82L-RNF
 (C)=4TN82L-RNF

(D)=
 (E)=
 (F)=



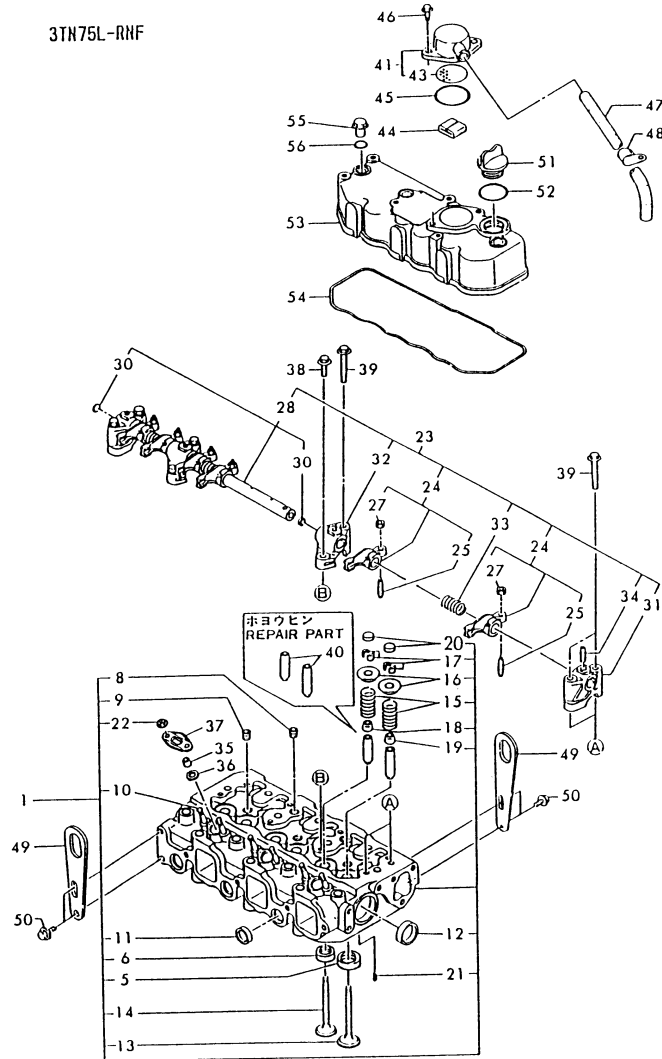
No.	Lev.	Parts No.	Description	Qty						I	R
				(A)	(B)	(C)	(D)	(E)	(F)		
1	1	119810-01770	SUMP ASSY, OIL	1							
2	2	171301-01640	PLUG, 22	1							
4	2	24341-000240	O-RING, 1AS24.0	1							
5	1	119810-01730	SPACER, OIL SUMP	1							
6	1	26106-080162	BOLT, M8X 16 PLATED	6							
7	1	26106-080452	BOLT, M8X 45 PLATED	22							
8	1	129100-01770	SUMP ASSY, OIL		1						
9	2	171301-01640	PLUG, 22		1						
11	2	129100-01790	RETAINER		2						
12	2	24341-000240	O-RING, 1AS24.0		1						
13	1	129100-01730	SPACER, OIL SUMP		1						
14	1	26106-080162	BOLT, M8X 16 PLATED		4						
15	1	26106-080252	BOLT, M8X 25 PLATED		2						
16	1	26106-080452	BOLT, M8X 45 PLATED		16						
17	1	26106-080502	BOLT, M8X 50 PLATED		4						
18	1	129400-01770	SUMP ASSY, OIL			1					
19	2	171301-01640	PLUG, 22			1					
21	2	129100-01790	RETAINER			2					
22	2	24341-000240	O-RING, 1AS24.0			1					
23	1	129400-01730	SPACER, OIL SUMP			1					
24	1	26106-080162	BOLT, M8X 16 PLATED			4					
25	1	26106-080252	BOLT, M8X 25 PLATED			2					
26	1	26106-080452	BOLT, M8X 45 PLATED			20					
27	1	26106-080502	BOLT, M8X 50 PLATED			4					

Fig.6. CYLINDER HEAD & BONNET

(A)=3TN75L-RNF
 (B)=3TN82L-RNF
 (C)=4TN82L-RNF

(D)=
 (E)=
 (F)=

029100-03100
 071350-03110
 021000-07300
 019810-11100
 019810-11200



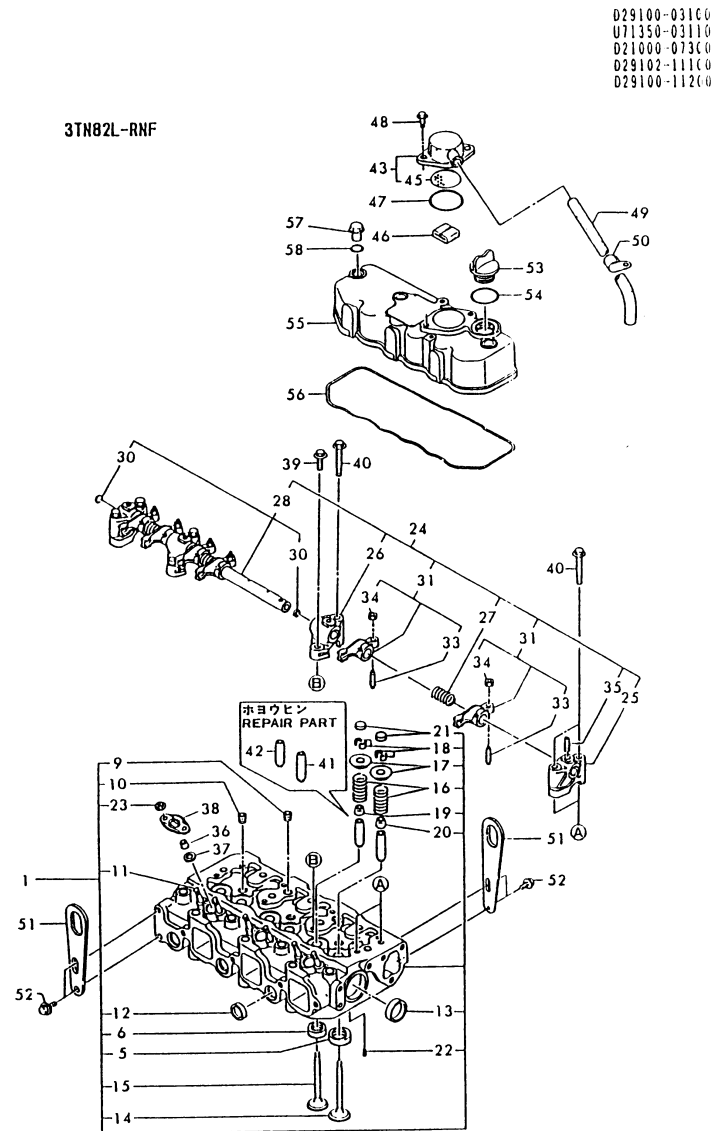
No.	Lev.	Parts No.	Description	Q'ty						I	R
				(A)	(B)	(C)	(D)	(E)	(F)		
1	1	719800-11700	HEAD ASSY, CYLINDER	1							
5	3	119810-11080	SEAT, INTAKE VALVE	3							
6	3	119810-11090	SEAT, EXHAUST VALVE	3							
8	3	121850-11860	PLUG, PT1/4	2							
9	3	23871-030000	PLUG, R03	3							
10	3	26216-060302	STUD, M6X 30	6							
11	3	27241-220000	PLUG, 22	3							
12	3	27241-400000	PLUG, 40	2							
13	2	119810-11100	VALVE, INTAKE	3							
14	2	119810-11130	VALVE, EXHAUST	3							
15	2	119810-11120	SPRING, VALVE	6							
16	2	104211-11180	RETAINER, SPRING	6							
17	2	101158-11190	COTTER	6							
17-1	2	27310-070001	COTTER, 7	6							N
(A=EXXXXX)											
18	2	124950-11340	SEAL, VALVE STEM	3							
19	2	124160-11340	SEAL, VALVE STEM	3							
20	2	104211-11370	CAP, VALVE	6							
21	2	22351-060012	PIN, SPRING 6.0X12	2							
22	2	26366-060002	NUT, M6	6							
23	1	119865-11200	SUPPORT ASSY, ARM	1							
24	2	719810-11650	ARM ASSY, ROCKER	6							
25	3	129150-11230	SCREW, VALVE ADJUST	6							
27	3	129150-11750	NUT, M8	6							
28	2	119810-11240	SHAFT ASSY, ROCKER	1							
30	3	27241-100000	PLUG, 10	2							
31	2	129155-11260	SUPPORT, ROCKER ARM	2							
32	2	129155-11270	SUPPORT, ROCKER ARM	2							
33	2	129150-11280	SPRING	3							
34	2	26226-080182	STUD, M8X 18	3							
35	1	119625-11870	PROTECTOR, NOZZLE	3							
36	1	119625-11880	SEAT, NOZZLE	3							
37	1	119625-11900	RETAINER, NOZZLE	3							
38	1	26106-080252	BOLT, M8X 25 PLATED	2							
39	1	26106-080502	BOLT, M8X 50 PLATED	6							
40	1	124060-11800	GUIDE, VALVE	6							1
41	1	129150-03010	COVER ASSY	1							
43	2	129150-03080	PLATE, BAFFLE	1							
44	1	129150-03070	BAFFLE, BREATHER	1							
45	1	24341-000500	O-RING, 1AS50.0	1							
46	1	26106-080162	BOLT, M8X 16 PLATED	2							
47	1	171350-03090	PIPE, BREATHER 900	1							
48	1	129150-03100	RETAINER, PIPE	1							
49	1	124736-07900	LIFTER	2							
50	1	26106-080142	BOLT, M8X 14 PLATED	4							
51	1	124160-01751	COVER, FILLER	1							
52	1	24311-000320	O-RING, 1AP32.0	1							
53	1	119810-11300	BONNET	1							
54	1	119865-11310	GASKET, BONNET	1							
55	1	124160-11360	KNOB	3							
56	1	24311-000120	O-RING, 1AP12.0	3							

Remarks
 (1) REPAIR PART.

Fig.7. CYLINDER HEAD & BONNET

(A)=3TN75L-RNF
 (B)=3TN82L-RNF
 (C)=4TN82L-RNF

(D)=
 (E)=
 (F)=



No.	Lev.	Parts No.	Description	Q'ty						I	R
				(A)	(B)	(C)	(D)	(E)	(F)		
1	1	771364-11700	HEAD ASSY, CYLINDER	1							
5	3	129470-11080	SEAT, INTAKE VALVE	3							
6	3	129470-11090	SEAT, EXHAUST VALVE	3							
9	3	121850-11860	PLUG, PT1/4	2							
10	3	23871-030000	PLUG, R03	3							
11	3	26216-060202	STUD, M6X 20	6							
12	3	27241-220000	PLUG, 22	3							
13	3	27241-400000	PLUG, 40	2							
14	2	129100-11100	VALVE, INTAKE	3							
15	2	129100-11130	VALVE, EXHAUST	3							
16	2	129795-11120	SPRING, VALVE	6							
17	2	129795-11180	RETAINER, SPRING	6							
18	2	103338-11190	COTTER	6							
18-1	2	27310-080001	COTTER, 8	6							R
(B=EXXXXX)											
19	2	124460-11340	SEAL, VALVE STEM	3							
20	2	121400-11340	SEAL, VALVE STEM	3							
21	2	129150-11370	CAP, VALVE	6							
22	2	22351-060012	PIN, SPRING 6.0X12	2							
23	2	26366-060002	NUT, M6	6							
24	1	129155-11241	SHAFT ASSY, ROCKER	1							
25	2	129155-11260	SUPPORT, ROCKER ARM	2							
26	2	129155-11270	SUPPORT, ROCKER ARM	2							
27	2	129150-11280	SPRING	3							
28	2	129150-11290	SHAFT, ROCKER ARM	1							
30	3	27241-100000	PLUG, 10	2							
31	2	729402-11650	ARM ASSY, ROCKER	6							
33	3	129150-11230	SCREW, VALVE ADJUST	6							
34	3	129150-11750	NUT, M8	6							
35	2	26226-080182	STUD, M8X 18	3							
36	1	119625-11870	PROTECTOR, NOZZLE	3							
37	1	119625-11880	SEAT, NOZZLE	3							
38	1	119625-11900	RETAINER, NOZZLE	3							
39	1	26106-080252	BOLT, M8X 25 PLATED	2							
40	1	26106-080502	BOLT, M8X 50 PLATED	6							
41	1	120130-11860	GUIDE, VALVE	3							1
42	1	129150-11810	GUIDE, VALVE	3							1
43	1	129150-03010	COVER ASSY	1							
45	2	129150-03080	PLATE, BAFFLE	1							
46	1	129150-03070	BAFFLE, BREATHER	1							
47	1	24341-000500	O-RING, 1AS50.0	1							
48	1	26106-080162	BOLT, M8X 16 PLATED	2							
49	1	171350-03090	PIPE, BREATHER 900	1							
50	1	129150-03100	RETAINER, PIPE	1							
51	1	124736-07900	LIFTER	2							
52	1	26106-080142	BOLT, M8X 14 PLATED	4							
53	1	124160-01751	COVER, FILLER	1							
54	1	24311-000320	O-RING, 1AP32.0	1							
55	1	129100-11300	BONNET	1							
56	1	129150-11310	GASKET, BONNET	1							
57	1	124160-11360	KNOB	3							

Remarks

(1) REPAIR PART.

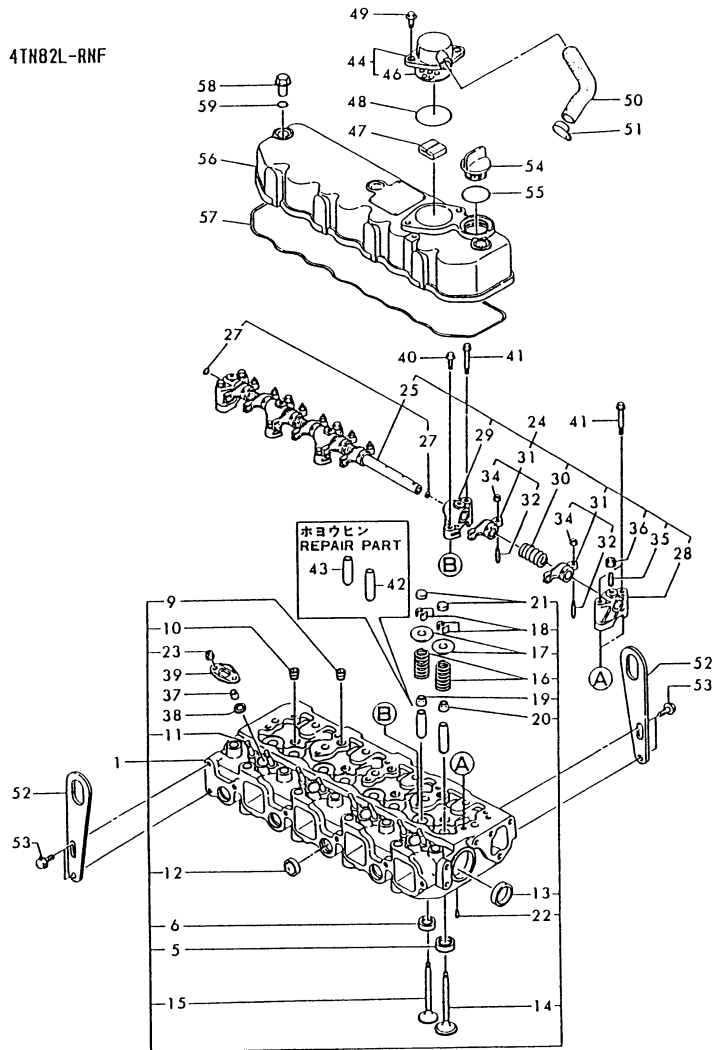
Fig.8. CYLINDER HEAD & BONNET

(A)=3TN75L-RNF
 (B)=3TN82L-RNF
 (C)=4TN82L-RNF

(D)=
 (E)=
 (F)=

029100-03100
 U71350-03110
 021000-07300
 029402-11100
 029400-11200

4TH82L-RNF



No.	Lev.	Parts No.	Description	Qty						I	R
				(A)	(B)	(C)	(D)	(E)	(F)		
1	1	729402-11700	HEAD ASSY, CYLINDER			1					
5	3	129470-11080	SEAT, INTAKE VALVE			4					
6	3	129470-11090	SEAT, EXHAUST VALVE			4					
9	3	121850-11860	PLUG, PT1/4			3					
10	3	23871-030000	PLUG, R03			4					
11	3	26216-060202	STUD, M6X 20			8					
12	3	27241-220000	PLUG, 22			4					
13	3	27241-400000	PLUG, 40			2					
14	2	129100-11100	VALVE, INTAKE			4					
15	2	129100-11130	VALVE, EXHAUST			4					
16	2	129795-11120	SPRING, VALVE			8					
17	2	129795-11180	RETAINER, SPRING			8					
18	2	103338-11190	COTTER			8					
18-1	2	27310-080001	COTTER, 8			8					R
			(C=EXXXXX)								
19	2	124460-11340	SEAL, VALVE STEM			4					
20	2	121400-11340	SEAL, VALVE STEM			4					
21	2	129150-11370	CAP, VALVE			8					
22	2	22351-060012	PIN, SPRING 6.0X12			2					
23	2	26366-060002	NUT, M6			8					
24	1	129555-11241	SHAFT ASSY, ROCKER			1					
25	2	129550-11290	SHAFT, ROCKER ARM			1					
27	3	27241-100000	PLUG, 10			2					
28	2	129155-11260	SUPPORT, ROCKER ARM			2					
29	2	129155-11270	SUPPORT, ROCKER ARM			3					
30	2	129150-11280	SPRING			4					
31	2	729402-11650	ARM ASSY, ROCKER			8					
32	3	129150-11230	SCREW, VALVE ADJUST			8					
34	3	129150-11750	NUT, M8			8					
35	2	26226-080182	STUD, M8X 18			3					
36	2	26756-080002	NUT, LOCK M8			3					
37	1	119625-11870	PROTECTOR, NOZZLE			4					
38	1	119625-11880	SEAT, NOZZLE			4					
39	1	119625-11900	RETAINER, NOZZLE			4					
40	1	26106-080252	BOLT, M8X 25 PLATED			3					
41	1	26106-080502	BOLT, M8X 50 PLATED			7					
42	1	120130-11860	GUIDE, VALVE			4					1
43	1	129150-11810	GUIDE, VALVE			4					1
44	1	129150-03010	COVER ASSY			1					
46	2	129150-03080	PLATE, BAFFLE			1					
47	1	129150-03070	BAFFLE, BREATHER			1					
48	1	24341-000500	O-RING, 1AS50.0			1					
49	1	26106-080162	BOLT, M8X 16 PLATED			2					
50	1	171350-03090	PIPE, BREATHER 900			1					
51	1	129150-03100	RETAINER, PIPE			1					
52	1	124736-07900	LIFTER			2					
53	1	26106-080142	BOLT, M8X 14 PLATED			4					
54	1	124160-01751	COVER, FILLER			1					
55	1	24311-000320	O-RING, 1AP32.0			1					
56	1	129400-11300	BONNET			1					
57	1	129550-11310	GASKET, BONNET			1					

Remarks
 (1) REPAIR PART.

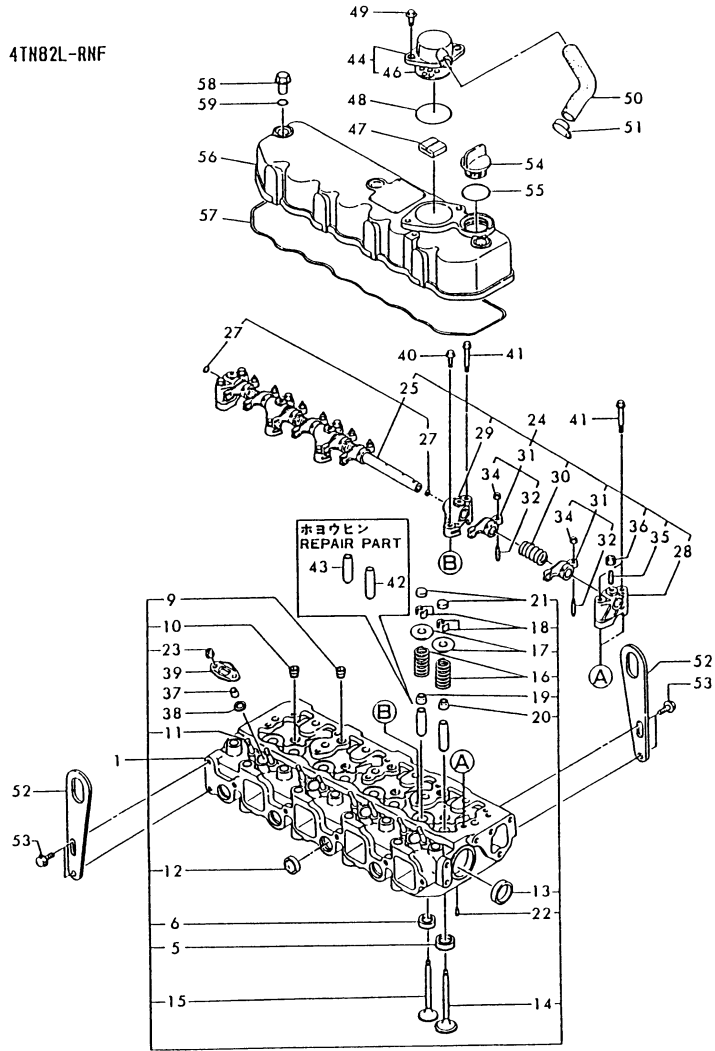
Fig.8. CYLINDER HEAD & BONNET

(A)=3TN75L-RNF
 (B)=3TN82L-RNF
 (C)=4TN82L-RNF

(D)=
 (E)=
 (F)=

029100-03100
 071350-03110
 021000-07300
 029402-11100
 029400-11200

4TH82L-RNF

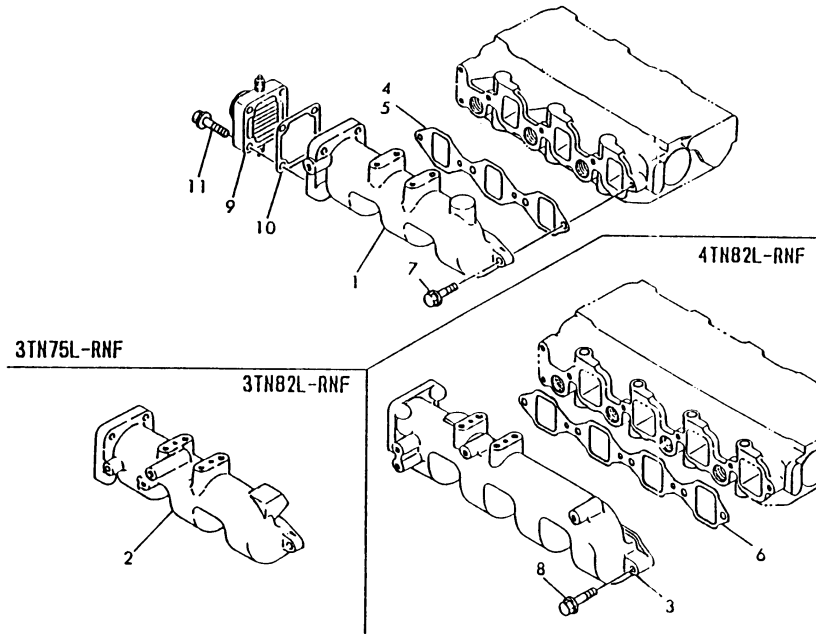


No.	Lev.	Parts No.	Description	Qty						I	R
				(A)	(B)	(C)	(D)	(E)	(F)		
58	1	124160-11360	KNOB						3		
59	1	24311-000120	O-RING, 1AP12.0						3		

Remarks
 (1) REPAIR PART.

Fig.9. SUCTION MANIFOLD & AIR CLEANER

D19840-12200
 D29100-12100
 D29488-12100
 D29100-77501



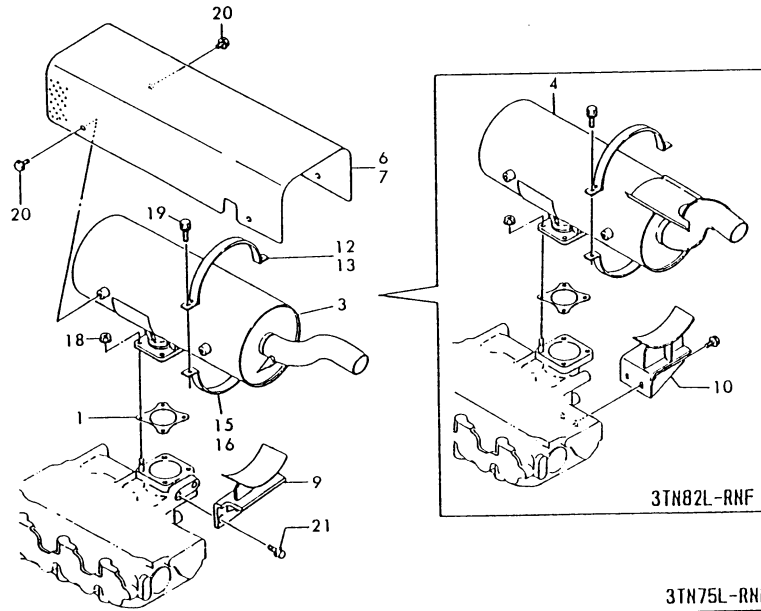
(A)=3TN75L-RNF
 (B)=3TN82L-RNF
 (C)=4TN82L-RNF

(D)=
 (E)=
 (F)=

No.	Lev.	Parts No.	Description	Qty						I	R
				(A)	(B)	(C)	(D)	(E)	(F)		
1	1	171301-12701	MANIFOLD, AIR INTAKE	1							
2	1	129122-12100	MANIFOLD, AIR INTAKE		1						
3	1	129488-12100	MANIFOLD, AIR INTAKE			1					
4	1	119810-12111	GASKET, MANIFOLD	1							
5	1	129150-12111	GASKET, MANIFOLD		1						
6	1	129550-12111	GASKET, MANIFOLD			1					
7	1	26106-080252	BOLT, M8X 25 PLATED	4	4						
8	1	26106-080352	BOLT, M8X 35 PLATED			5					
9	1	129120-77501	HEATER	1	1	1					
10	1	129150-77511	GASKET	1	1	1					
11	1	26106-080352	BOLT, M8X 35 PLATED	4	4	4					

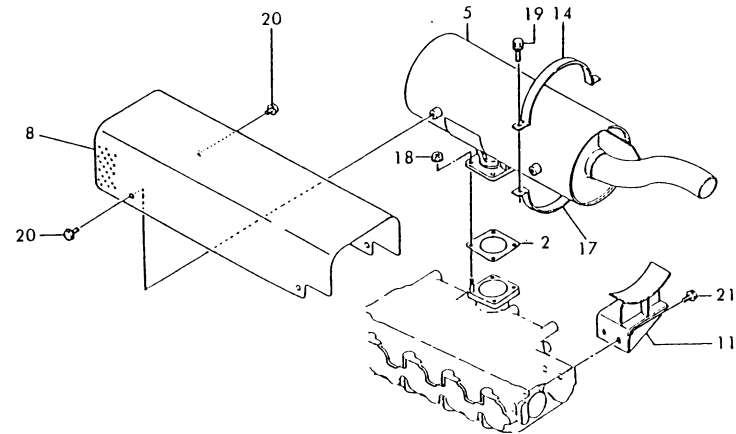
Fig.10. SILENCER

019841-93100
029111-93120
029411-93140



3TN75L-RNF

4TN82L-RNF



(A)=3TN75L-RNF
(B)=3TN82L-RNF
(C)=4TN82L-RNF

(D)=
(E)=
(F)=

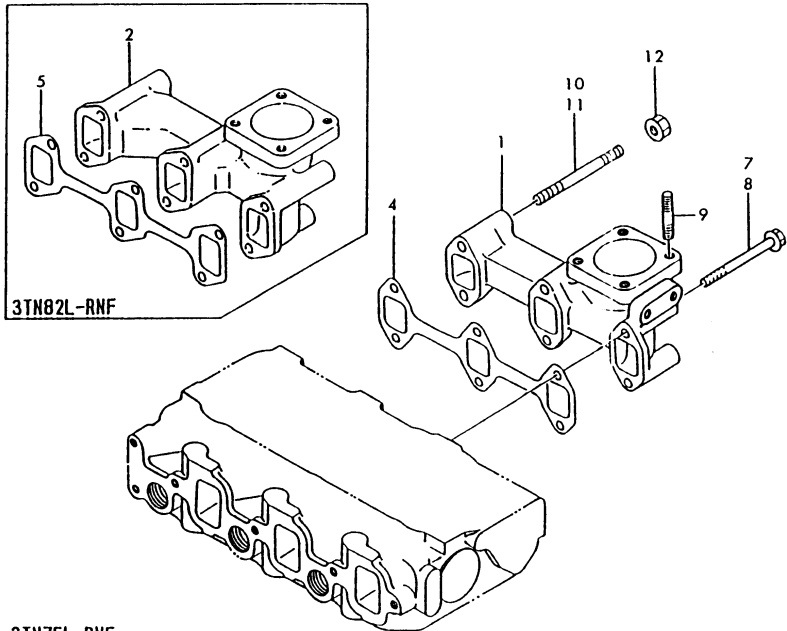
No.	Lev.	Parts No.	Description	Qty						I	R
				(A)	(B)	(C)	(D)	(E)	(F)		
1	1	121000-13200	GASKET, SILENCER	1	1						
2	1	129400-13201	GASKET, SILENCER			1					
3	1	119888-13500	SILENCER	1							
4	1	129111-13500	SILENCER		1						
5	1	129411-13500	SILENCER			1					
6	1	119888-13600	COVER, SILENCER	1							
7	1	129111-13600	COVER, SILENCER		1						
8	1	129411-13600	COVER, SILENCER			1					
9	1	119888-13651	STAY, SILENCER	1							
10	1	129111-13650	STAY, SILENCER		1						
11	1	129411-13650	STAY, SILENCER			1					
12	1	119888-13670	BAND, SILENCER	1							
13	1	129111-13670	BAND, SILENCER		1						
14	1	129411-13670	BAND, SILENCER			1					
15	1	119888-13680	BAND, SILENCER	1							
16	1	129111-13680	BAND, SILENCER		1						
17	1	129411-13680	BAND, SILENCER			1					
18	1	194990-22050	NUT, M8	4	4	4					
19	1	26014-080302	BOLT, M8X 30	2	2	2					
20	1	26106-080102	BOLT, M8X 10 PLATED	4	4	4					
21	1	26106-080142	BOLT, M8X 14 PLATED	2	2	2					

Fig.11. EXHAUST MANIFOLD

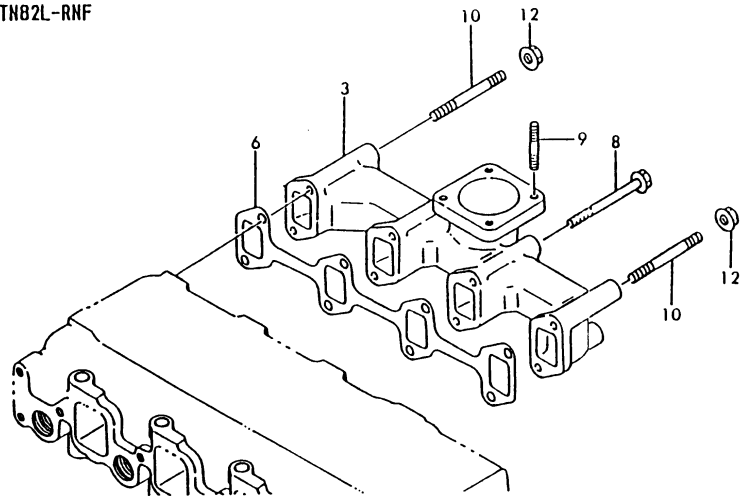
(A)=3TN75L-RNF
 (B)=3TN82L-RNF
 (C)=4TN82L-RNF

(D)=
 (E)=
 (F)=

019888-13100
 029411-13100
 071350-13100



3TN75L-RNF
 4TN82L-RNF



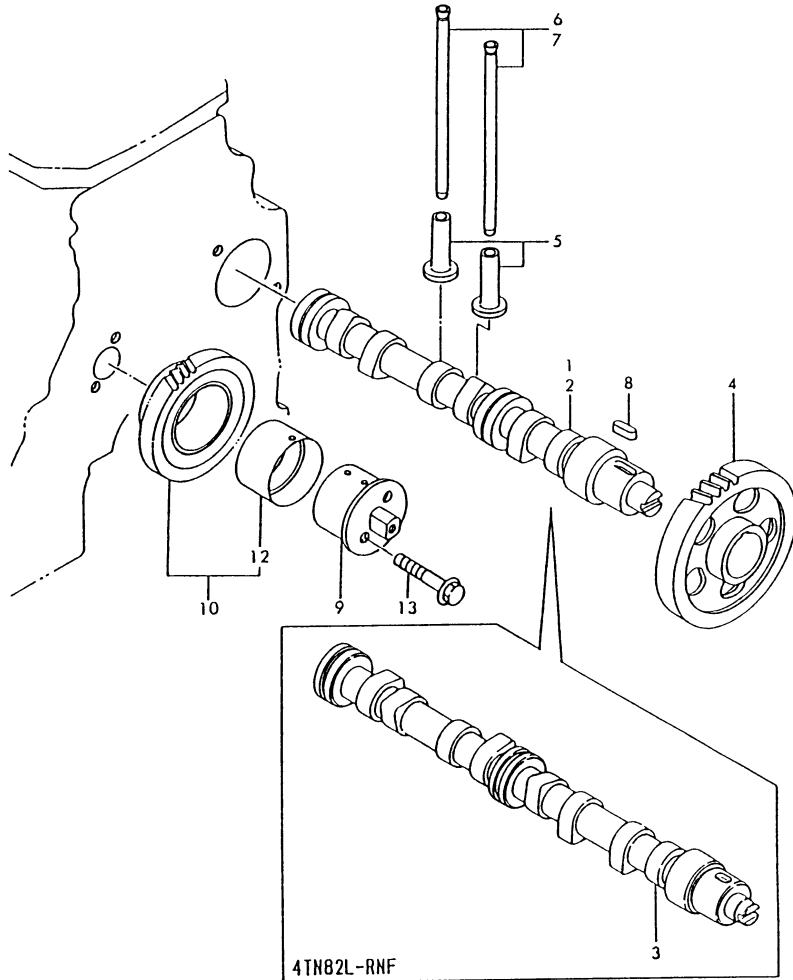
No.	Lev.	Parts No.	Description	Q'ty						I	R
				(A)	(B)	(C)	(D)	(E)	(F)		
1	1	119888-13101	MANIFOLD, EXHAUST	1							
2	1	171350-13100	MANIFOLD, EXHAUST		1						
3	1	129411-13100	MANIFOLD, EXHAUST			1					
4	1	119810-13110	GASKET	1							
5	1	129150-13110	GASKET		1						
6	1	129550-13110	GASKET			1					
7	1	26106-080602	BOLT, M8X 60 PLATED	4							
8	1	26106-080802	BOLT, M8X 80 PLATED		4	6					
9	1	26216-080222	STUD, M8X 22	4	4	4					
10	1	26216-080802	STUD, M8X 80		2	2					
11	1	26226-080602	STUD, M8X 60	2							
12	1	194990-22050	NUT, M8	2	2	2					

Fig.12. CAMSHAFT & DRIVE GEAR

(A)=3TN75L-RNF
 (B)=3TN82L-RNF
 (C)=4TN82L-RNF

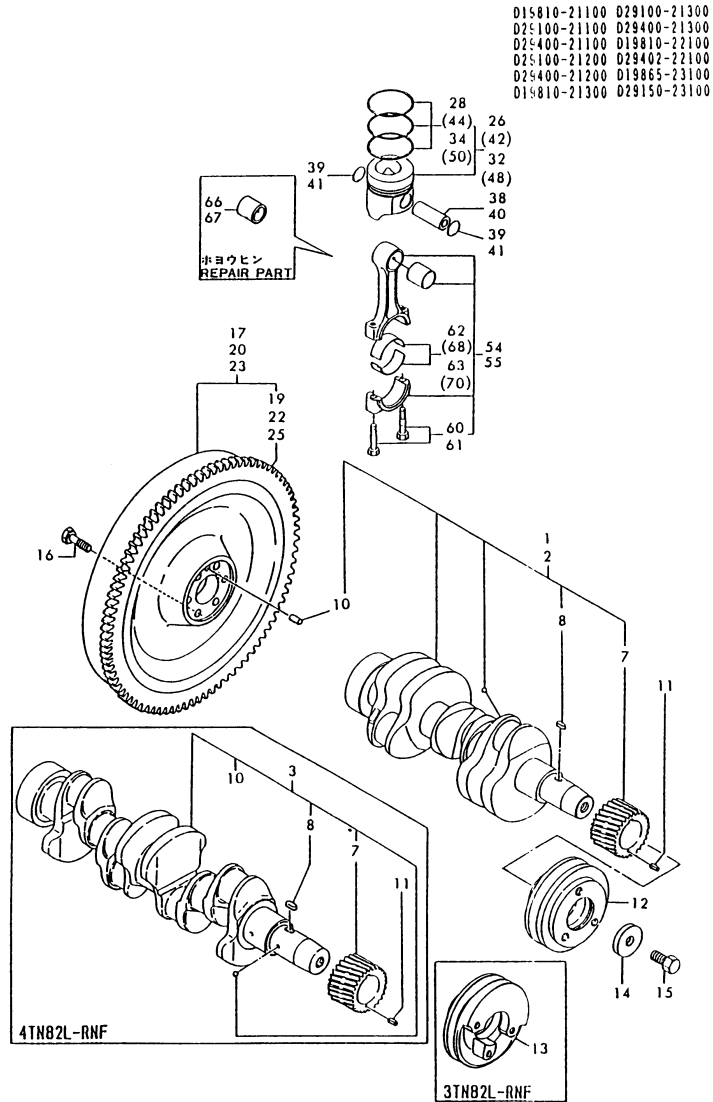
(D)=
 (E)=
 (F)=

019865-14100
 029150-14100
 029400-14100
 029100-25101



No.	Lev.	Parts No.	Description	Q'ty						I	R
				(A)	(B)	(C)	(D)	(E)	(F)		
1	1	119810-14011	CAMSHAFT	1							
2	1	129150-14011	CAMSHAFT		1						
3	1	129550-14011	CAMSHAFT			1					
4	1	129150-14101	GEAR, CAMSHAFT	1	1	1					
5	1	129150-14200	TAPPET	6	6	8					
6	1	119810-14400	ROD, PUSH	6							
7	1	129150-14400	ROD, PUSH L=178		6	8					
8	1	22512-070140	KEY, 7X 14	1	1	1					
9	1	129100-25061	SHAFT, IDLE	1	1	1					
10	1	129150-25101	GEAR ASSY, IDLE	1	1	1					
13	1	26106-080452	BOLT, M8X 45 PLATED	2	2	2					

Fig.13. CRANKSHAFT & PISTON

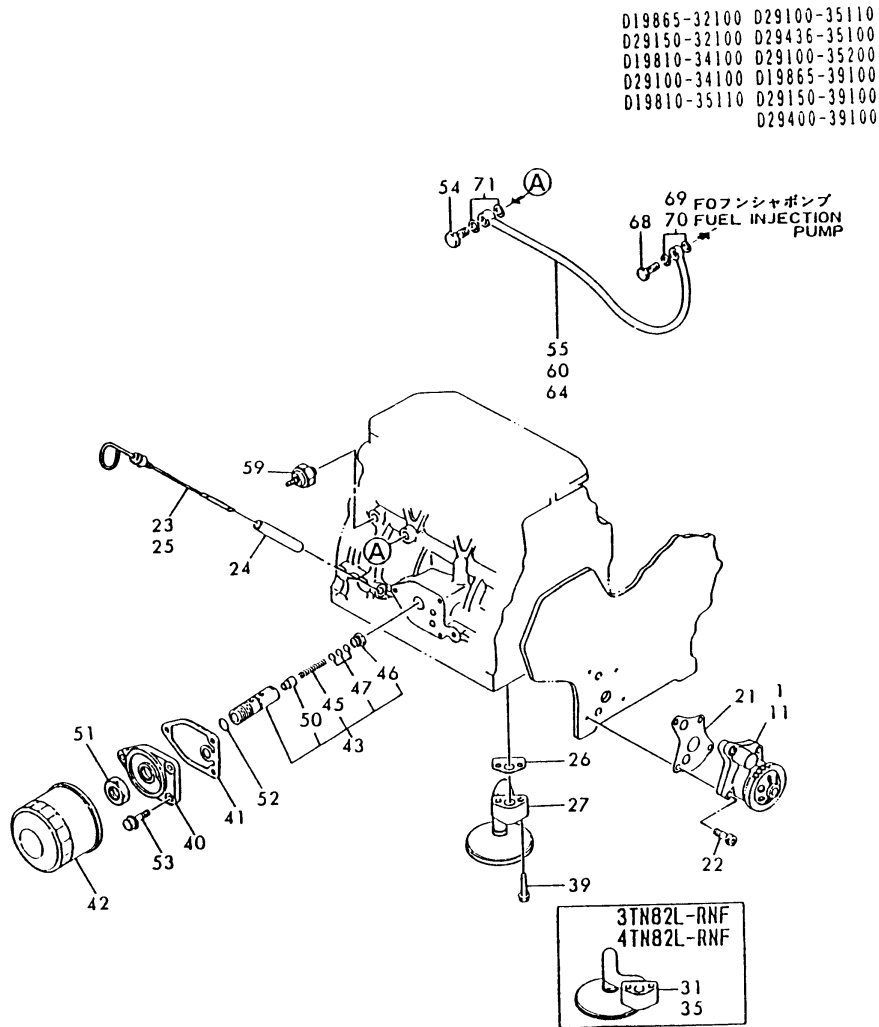


No.	Lev.	Parts No.	Description	Qty						I	R
				(A)	(B)	(C)	(D)	(E)	(F)		
1	1	719810-21700	CRANKSHAFT ASSY	1							
2	1	729102-21700	CRANKSHAFT ASSY		1						
3	1	729400-21700	CRANKSHAFT ASSY			1					
7	2	129150-21200	GEAR, CRANKSHAFT	1	1	1					
8	2	22512-070140	KEY, 7X 14	1	1	1					
10	2	129100-01580	PIN, M8X16	1	1	1					
11	1	22351-040010	PIN, SPRING 4.0X10	1	1	1					
12	1	171301-21650	V-PULLEY	1	1	1					
13	1	171340-21650	V-PULLEY		1						
14	1	129795-21661	WASHER	1	1	1					
15	1	121850-21680	BOLT	1	1	1					
16	1	121111-21501	BOLT, FLYWHEEL	6	6	6					
17	1	171301-21580	FLYWHEEL ASSY	1							
19	2	119865-21600	GEAR, RING	1							
20	1	171340-21580	FLYWHEEL ASSY		1						
22	2	119865-21600	GEAR, RING		1						
23	1	171420-21580	FLYWHEEL ASSY			1					
25	2	119865-21600	GEAR, RING			1					
26	1	119810-22090	PISTON ASSY	3							
28	2	719810-22500	RING SET, PISTON	3							
32	1	129402-22090	PISTON ASSY		3	4					
34	2	729120-22500	RING SET, PISTON		3	4					
38	1	129150-22300	PIN, PISTON D26 L66		3	4					
39	1	121100-22400	CIRCLIP		6	8					
40	1	119810-22300	PIN, PISTON	3							
41	1	119810-22400	CIRCLIP	6							
42	1	719810-22910	PISTON ASSY, 0.25 OS	3							1
44	2	719810-22960	RING SET, 0.25 OS	3							1
48	1	729402-22910	PISTON ASSY, 0.25 OS		3	4					1
50	2	729120-22950	RING SET, 0.25 OS		3	4					1
54	1	719810-23100	ROD ASSY, CONNECTING	3							
55	1	729402-23100	ROD ASSY, CONNECTING		3	4					
60	2	119810-23200	BOLT, CONNECTING ROD	6							
61	2	121550-23200	BOLT, CONNECTING ROD		6	8					
62	2	119810-23600	BEARING, CRANK PIN	3							
63	2	129150-23600	BEARING, CRANK PIN		3	4					
66	1	119810-23910	BEARING, PISTON PIN	3							2
67	1	129100-23910	BEARING, PISTON PIN		3	4					2
68	1	119810-23610	BEARING, 0.25 US	3							3
70	1	129150-23610	BEARING, 0.25 US		3	4					3

Remarks

- (1) OVER-SIZED(O.S=0.25)PART.
- (2) REPAIR PART.
- (3) UNDER-SIZED(U.S=0.25)PART.

Fig.14. LUBRICATING OIL SYSTEM



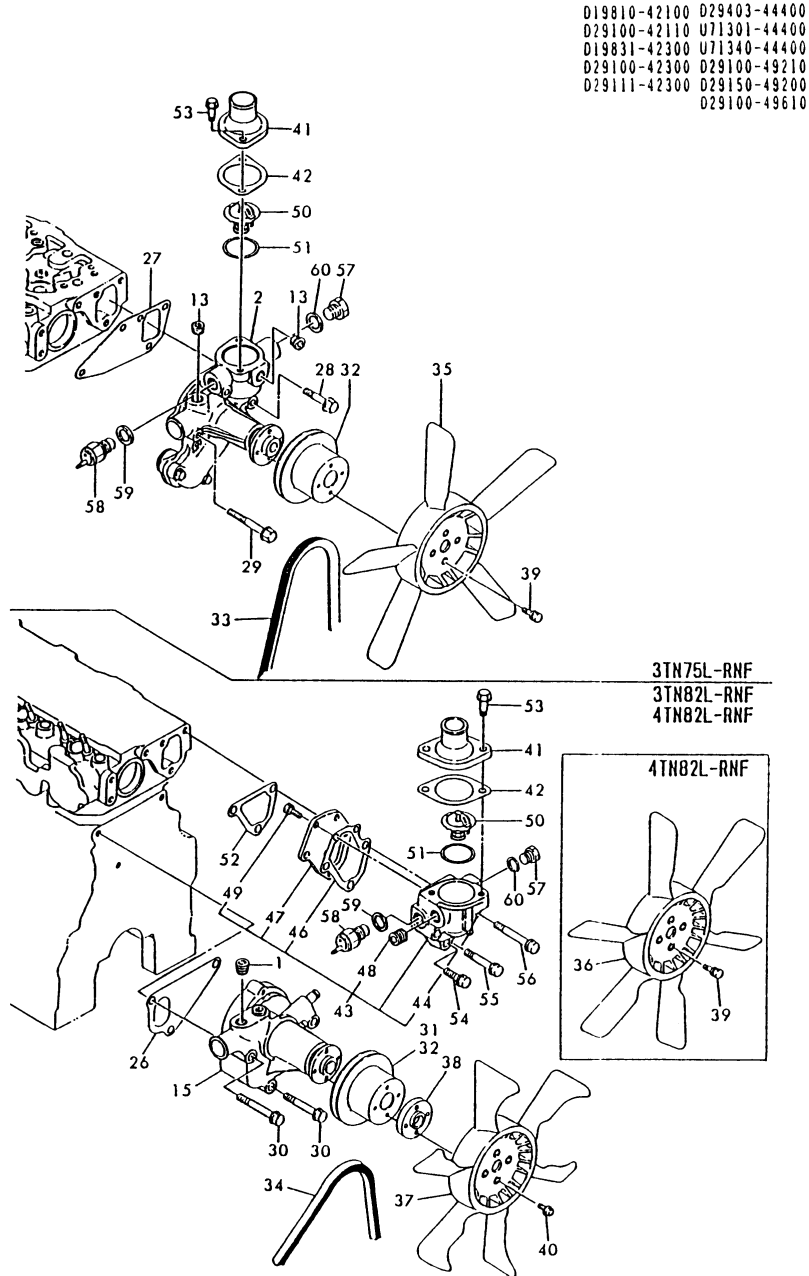
D19865-32100 D29100-35110
 D29150-32100 D29436-35100
 D19810-34100 D29100-35200
 D29100-34100 D19865-39100
 D19810-35110 D29150-39100
 D29400-39100

(A)=3TN75L-RNF
 (B)=3TN82L-RNF
 (C)=4TN82L-RNF

(D)=
 (E)=
 (F)=

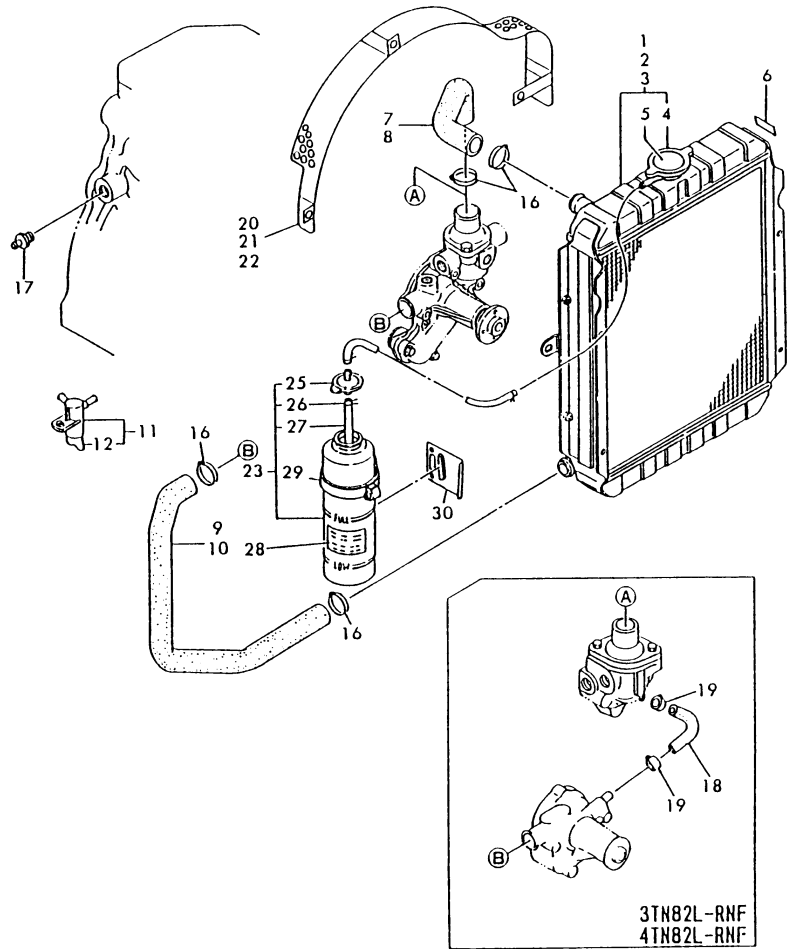
No.	Lev.	Parts No.	Description	Qty						I	R
				(A)	(B)	(C)	(D)	(E)	(F)		
1	1	119810-32000	PUMP ASSY, OIL	1							
11	1	129150-32000	PUMP ASSY, OIL		1						
21	1	129150-32020	GASKET, PUMP	1	1	1					
22	1	26450-060252	BOLT, M6X 25	4	4	4					
23	1	119600-34800	DIPSTICK, OIL	1							
24	1	121520-34810	GUIDE, DIPSTICK	1	1	1					
25	1	171420-34820	DIPSTICK, OIL		1	1					
26	1	129150-35041	GASKET	1	1	1					
27	1	119810-35300	PIPE ASSY, OIL INLET	1							
31	1	129100-35301	PIPE ASSY, OIL INLET		1						
35	1	129436-35090	PIPE ASSY, OIL INLET			1					
39	1	26106-080352	BOLT, M8X 35 PLATED	2	2	2					
40	1	129150-35101	BRACKET, STRAINER	1	1	1					
41	1	129150-35111	GASKET	1	1	1					
42	1	129150-35150	FILTER 90X80L	1	1	1					
43	1	119865-35300	VALVE ASSY, CONTROL	1	1	1					
45	2	119865-35320	SPRING	1	1	1					
46	2	119865-35330	RETAINER	1	1	1					
47	2	129150-35340	SHIM SET	1	1	1					
50	2	119865-35350	VALVE, CONTROL	1	1	1					
51	1	129150-35350	NUT	1	1	1					
52	1	24311-000160	O-RING, 1AP16.0	1	1	1					
53	1	26106-080202	BOLT, M8X 20 PLATED	3	3	3					
54	1	124160-39140	BOLT, PIPE JOINT M10	1	1	1					
55	1	119810-39200	PIPE ASSY, OIL	1							
59	1	124160-39450	SWITCH, 0.5KG	1	1	1					
60	1	129150-39450	PIPE ASSY, OIL		1						
64	1	129550-39450	PIPE ASSY, OIL			1					
68	1	124550-59820	BOLT, PIPE JOINT M8	1	1	1					
69	1	23414-080000	GASKET, 8X1.0	2	2						
70	1	43400-500410	SEAL WASHER 8S			2					
71	1	23414-100000	GASKET, 10X1.0	2	2	2					

Fig.15. COOLING WATER SYSTEM



No.	Lev.	Parts No.	Description	Qty						I	R
				(A)	(B)	(C)	(D)	(E)	(F)		
1	1	121850-11860	PLUG, PT1/4		1	1					
2	1	119810-42001	PUMP ASSY, WATER	1							
13	2	23871-030000	PLUG, R03	2							
15	1	129100-42002	PUMP ASSY, WATER		1	1					
26	1	129100-42020	GASKET, WATER PUMP		1	1					
27	1	129150-42020	GASKET, WATER PUMP	1							
28	1	26106-080352	BOLT, M8X 35 PLATED	1							
29	1	26106-080552	BOLT, M8X 55 PLATED	3							
30	1	26106-080602	BOLT, M8X 60 PLATED		3	3					
31	1	129155-42350	V-PULLEY			1					
32	1	129403-42380	V-PULLEY, D=110	1	1						
33	1	119831-42290	V-BELT, A37.5	1							
34	1	124732-42290	V-BELT, AX37		1	1					
35	1	124700-44740	FAN, COOLING 5X310	1							
36	1	129403-44740	FAN, COOLING 370			1					
37	1	171340-44740	FAN, COOLING D335XNF		1						
38	1	124574-44761	SPACER, FAN		1						
39	1	26014-060162	BOLT, M6X 16	4		4					
40	1	26014-060252	BOLT, M6X 25		4						
41	1	129350-49530	COVER, THERMOSTAT	1	1	1					
42	1	129795-49551	GASKET	1	1	1					
43	1	129100-49800	CASE ASSY,THERMOSTAT		1	1					
44	2	124770-11770	JOINT, PIPE PT1/8		1	1					
46	2	129100-49820	GASKET		1	1					
47	2	129100-49830	COVER, THERMOSTAT		1	1					
48	2	23871-030000	PLUG, R03		1	1					
49	2	26116-060162	BOLT, M6X 16 PLATED		2	2					
50	1	129155-49800	THERMOSTAT, 71	1	1	1					
51	1	129150-49811	GASKET, THERMOSTAT	1	1	1					
52	1	129100-49840	GASKET		1	1					
53	1	26106-080202	BOLT, M8X 20 PLATED	2	2	2					
54	1	26106-080252	BOLT, M8X 25 PLATED		1	1					
55	1	26106-080502	BOLT, M8X 50 PLATED		1	1					
56	1	26106-080602	BOLT, M8X 60 PLATED		1	1					
57	1	121450-42450	PLUG, M16	1	1	1					
58	1	121250-44901	SWITCH, 110	1	1	1					
59	1	124465-44950	GASKET, 16	1	1	1					
60	1	124465-44950	GASKET, 16	1	1	1					

Fig.16. RADIATOR & COOLING WATER PIPE



(A)=3TN75L-RNF
 (B)=3TN82L-RNF
 (C)=4TN82L-RNF

(D)=
 (E)=
 (F)=

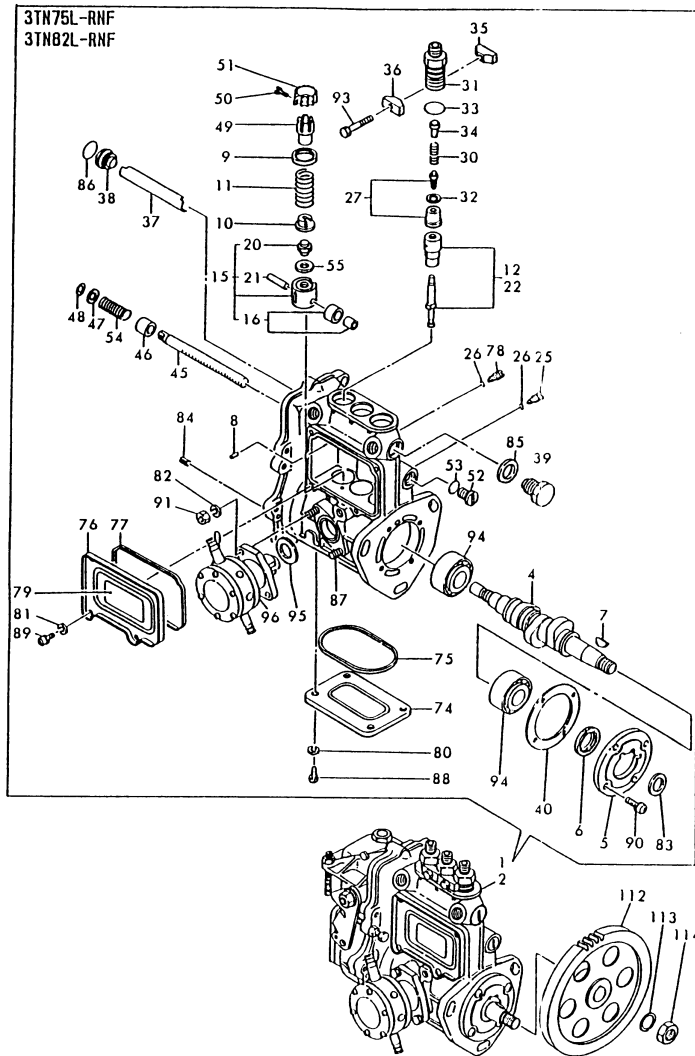
No.	Lev.	Parts No.	Description	Qty						I	R
				(A)	(B)	(C)	(D)	(E)	(F)		
1	1	171301-44500	RADIATOR	1							
2	1	171440-44500	RADIATOR		1						
3	1	171460-44500	RADIATOR			1					
4	2	123682-44210	CAP, RADIATOR	1	1	1					
5	1	124764-44800	LABEL, RADIATOR	1	1	1					
6	1	124764-44920	LABEL, ANTI-FREEZING	1	1	1					
7	1	171301-49010	PIPE, WATER	1	1						
8	1	171420-49010	PIPE, WATER				1				
9	1	171301-49020	PIPE, WATER	1	1						
10	1	171420-49020	PIPE, WATER						1		
11	1	129150-49100	COCK ASSY, 3-WAY	1	1	1					
12	2	129150-49080	COCK, DRAIN	1	1	1					
16	1	23010-038000	CLAMP, 38	4	4	4					
17	1	121550-49111	JOINT, PT1/4	1	1	1					
18	1	129100-49050	PIPE, WATER			1	1				
19	1	23000-016000	CLAMP, 16		2	2					
20	1	129111-44560	PROTECTOR, FAN		1						
21	1	129411-44560	PROTECTOR, FAN			1					
22	1	171301-44560	PROTECTOR, FAN	1							
23	1	124450-44510	TANK ASSY, SUB	1	1	1					
25	2	124450-44530	CAP	1	1	1					
26	2	124450-44560	RETAINER	1	1	1					
27	2	23061-070230	PIPE, 7X 230	1	1	1					
28	1	124764-44810	LABEL, SUB-TANK	1	1	1					
29	1	124450-44550	BAND	1	1	1					
30	1	121256-44600	BRACKET, SUB TANK	1	1	1					

Fig.17. FUEL INJECTION SYSTEM

(A)=3TN75L-RNF
 (B)=3TN82L-RNF
 (C)=4TN82L-RNF

(D)=
 (E)=
 (F)=

D29100-25200
 D19810-51200
 D29100-51200
 D29100-52100



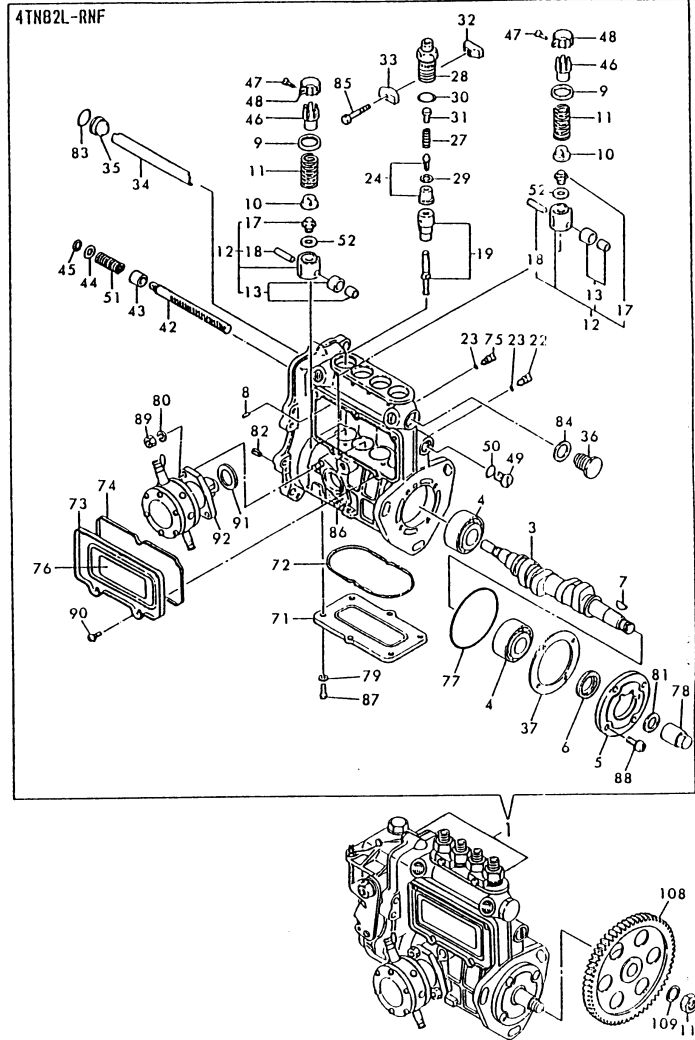
No.	Lev.	Parts No.	Description	Q'ty						I	R
				(A)	(B)	(C)	(D)	(E)	(F)		
1	1	719810-51400	PUMP ASSY, INJECTION	1							1
2	1	729102-51400	PUMP ASSY, INJECTION		1						1
4	2	119810-51040	CAMSHAFT	1	1						
5	2	129470-51060	RETAINER, BEARING	1	1						
6	2	129470-51080	SEAL, AF0741F0	1	1						
7	2	122710-51090	KEY	1	1						
8	2	129155-51140	PIN	3	3						
9	2	174307-51170	RETAINER, SPRING A	3	3						
10	2	129155-51180	RETAINER, SPRING	3	3						
11	2	124950-51190	SPRING, PLUNGER	3	3						
12	2	119810-51200	PLUNGER ASSY	3							
15	2	129155-51200	TAPPET ASSY	3	3						
16	3	711100-51540	ROLLER ASSY	3	3						
20	3	129155-51250	BOLT, ADJUSTING	3	3						
21	3	174100-54120	PIN	3	3						
22	2	129400-51200	PLUNGER ASSY		3						
25	2	129155-51270	STOPPER, TAPPET	3	3						
26	2	129155-51280	O-RING, S6	3	3						
27	2	128170-51300	VALVE ASSY, DELIVERY	3	3						
30	2	129155-51320	SPRING, DELIVERY	3	3						
31	2	129155-51340	RETAINER	3	3						
32	2	124550-51350	GASKET, DELIVERY	3	3						
33	2	124550-51370	O-RING	3	3						
34	2	129155-51370	STOPPER, VALVE	3	3						
35	2	129155-51380	STOPPER	2	2						
36	2	129155-51390	STOPPER	2	2						
37	2	129155-51400	DEFLECTOR	1	1						
38	2	129155-51410	BOLT	1	1						
39	2	129155-51420	PLUG, M16	1	1						
40	2	129155-51450	SHIM SET, ADJUSTING	1	1						
45	2	129155-51500	RACK, CONTROL	1	1						
46	2	129155-51521	BUSH, RACK	1	1						
47	2	129155-51530	SPACER	1	1						
48	2	129155-51540	CIRCLIP	1	1						
49	2	129155-51550	PINION, CONTROL	3	3						
50	2	122117-51560	SCREW	3	3						
51	2	174307-51560	PINION	3	3						
52	2	129155-51570	PLUG, M12	1	1						
53	2	129155-51580	O-RING	1	1						
54	2	129155-51591	SPRING, RACK	1	1						
55	2	129155-51600	SHIM SET, ADJUSTING	3	3						
74	2	129155-51700	COVER	1	1						
75	2	129155-51710	GASKET	1	1						
76	2	129155-51750	COVER	1	1						
77	2	129155-51760	GASKET	1	1						
78	2	129155-51790	STOPPER, RACK	1	1						
79	2	129156-51910	LABEL, CAUTION	1	1						
80	2	22217-050000	WASHER, SPRING 5	4	4						
81	2	22217-050000	WASHER, SPRING 5	4	4						
82	2	22217-060000	WASHER, SPRING 6	2	2						
83	2	22287-120000	WASHER, 12	1	1						

Remarks
 (1) FIG.NO.21 IS INCORPORATED IN
 REF.NO.1 & NO.2.

Fig.18. FUEL INJECTION SYSTEM

(A)=3TN75L-RNF
 (B)=3TN82L-RNF
 (C)=4TN82L-RNF

(D)=
 (E)=
 (F)=



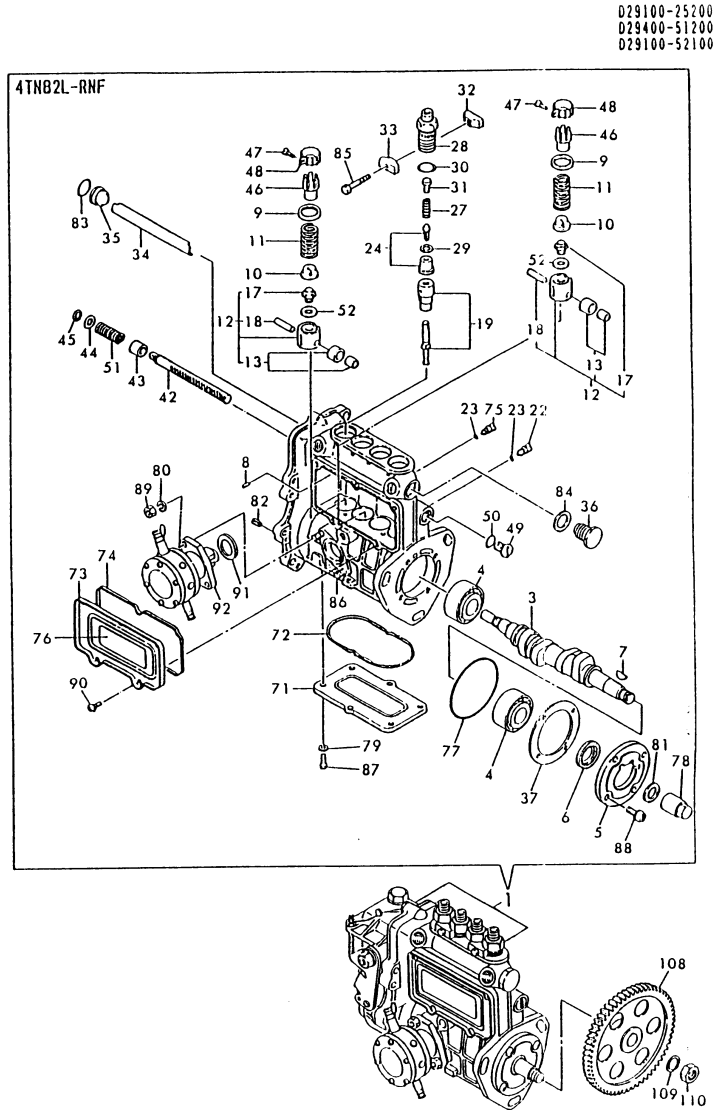
No.	Lev.	Parts No.	Description	Qty						I	R
				(A)	(B)	(C)	(D)	(E)	(F)		
1	1	729402-51400	PUMP ASSY, INJECTION			1					1
3	2	129470-51040	CAMSHAFT			1					
4	2	122710-51050	BEARING, HR30203J			2					
5	2	129470-51060	RETAINER, BEARING			1					
6	2	129470-51080	SEAL, AF0741F0			1					
7	2	122710-51090	KEY			1					
8	2	129155-51140	PIN			4					
9	2	174307-51170	RETAINER, SPRING A			4					
10	2	129155-51180	RETAINER, SPRING			4					
11	2	124950-51190	SPRING, PLUNGER			4					
12	2	129155-51200	TAPPET ASSY			4					
13	3	711100-51540	ROLLER ASSY			4					
17	3	129155-51250	BOLT, ADJUSTING			4					
18	3	174100-54120	PIN			4					
19	2	129400-51200	PLUNGER ASSY			4					
22	2	129155-51270	STOPPER, TAPPET			4					
23	2	129155-51280	O-RING, S6			4					
24	2	128170-51300	VALVE ASSY, DELIVERY			4					
27	2	129155-51320	SPRING, DELIVERY			4					
28	2	129155-51340	RETAINER			4					
29	2	124550-51350	GASKET, DELIVERY			4					
30	2	124550-51370	O-RING			4					
31	2	129155-51370	STOPPER, VALVE			4					
32	2	129155-51380	STOPPER			2					
33	2	129155-51390	STOPPER			2					
34	2	129555-51400	DEFLECTOR			1					
35	2	129155-51410	BOLT			1					
36	2	129155-51420	PLUG, M16			1					
37	2	129155-51450	SHIM SET, ADJUSTING			1					
42	2	129555-51500	RACK, CONTROL			1					
43	2	129155-51521	BUSH, RACK			1					
44	2	129155-51530	SPACER			1					
45	2	129155-51540	CIRCLIP			1					
46	2	129155-51550	PINION, CONTROL			4					
47	2	122117-51560	SCREW			4					
48	2	174307-51560	PINION			4					
49	2	129155-51570	PLUG, M12			1					
50	2	129155-51580	O-RING			1					
51	2	129155-51591	SPRING, RACK			1					
52	2	129155-51600	SHIM SET, ADJUSTING			4					
71	2	129555-51700	COVER			1					
72	2	129555-51710	GASKET			1					
73	2	129555-51750	COVER			1					
74	2	129555-51760	GASKET			1					
75	2	129155-51790	STOOPER, RACK			1					
76	2	129156-51910	LABEL, CAUTION			1					
77	2	121850-51960	O-RING			1					
78	2	121850-61380	NUT			1					
79	2	22217-050000	WASHER, SPRING 5			6					
80	2	22217-060000	WASHER, SPRING 6			2					
81	2	22287-120000	WASHER, 12			1					

Remarks
 (1) FIG.NO.21 IS INCORPORATED IN
 REF.NO.1.

Fig.18. FUEL INJECTION SYSTEM

(A)=3TN75L-RNF
 (B)=3TN82L-RNF
 (C)=4TN82L-RNF

(D)=
 (E)=
 (F)=



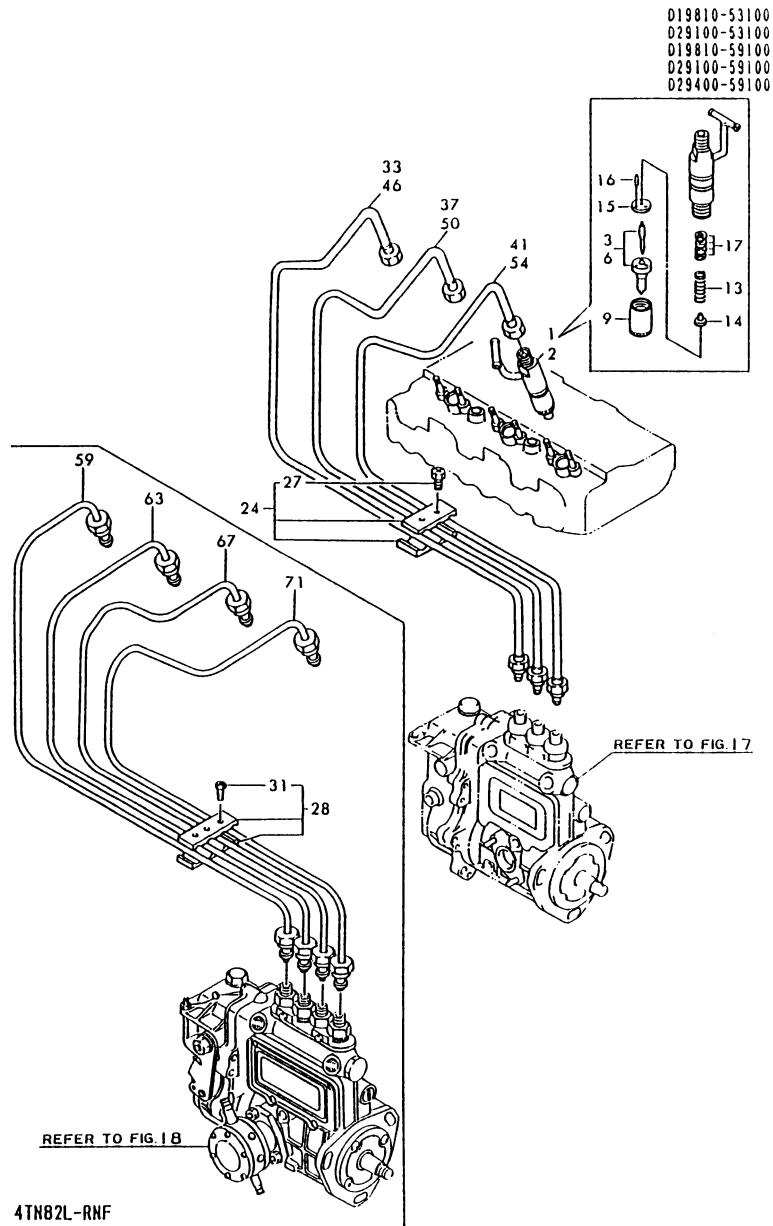
No.	Lev.	Parts No.	Description	Qty						I	R
				(A)	(B)	(C)	(D)	(E)	(F)		
82	2	22351-050010	PIN, SPRING 5.0X10			2					
83	2	24341-000160	O-RING, 1AS16.0			1					
84	2	43400-500490	SEAL WASHER 16S			1					
85	2	26116-050309	BOLT M 5X 30 PLATED			2					
86	2	129155-51020	STUD			2					
87	2	26557-050102	SCREW, M5X10			6					
88	2	26022-060162	SCREW, M6X16			4					
89	2	26716-060002	NUT, M6			2					
90	2	26557-050102	SCREW, M5X10			4					
91	2	129155-52050	GASKET			1					
92	2	129100-52100	PUMP ASSY, FUEL FEED			1					
108	1	129100-25900	GEAR, PUMP			1					
109	1	22217-120000	WASHER, SPRING 12			1					
110	1	26716-120002	NUT, M12			1					

Remarks
 (1) FIG.NO.21 IS INCORPORATED IN
 REF.NO.1.

Fig.19. FUEL INJECTION PIPE

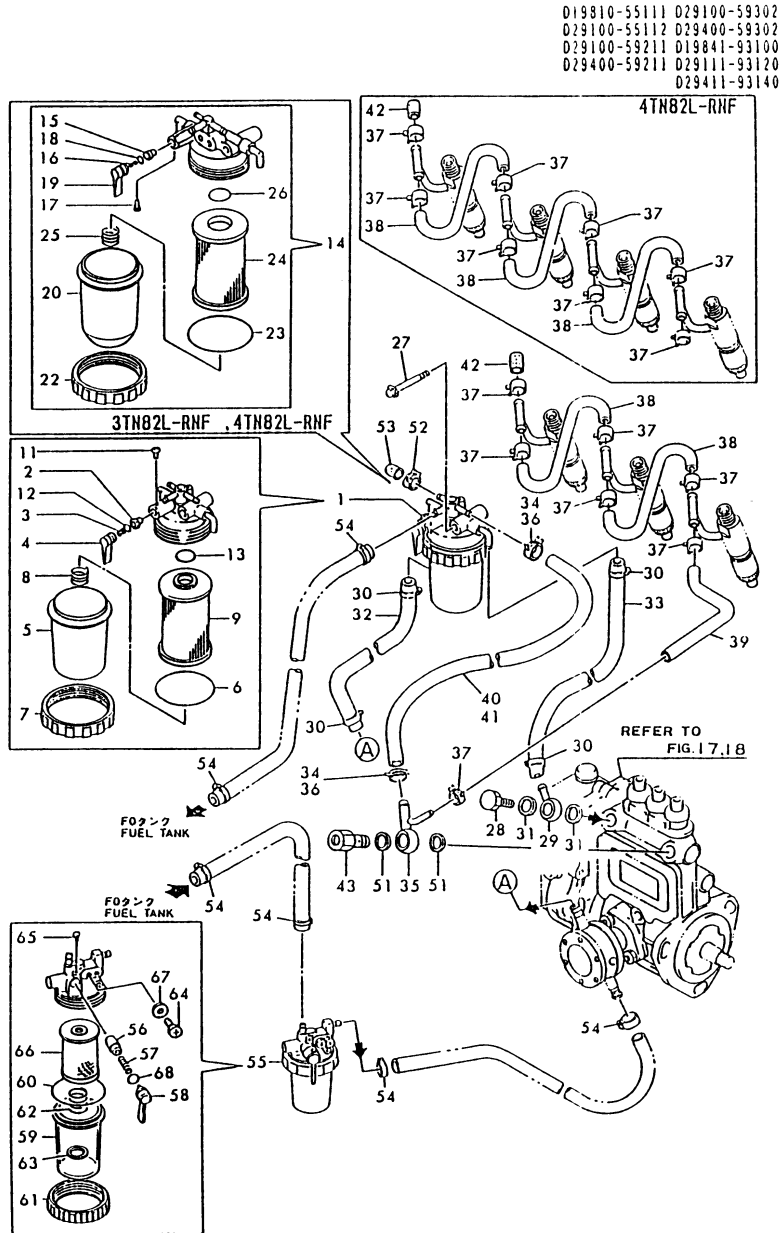
(A)=3TN75L-RNF
 (B)=3TN82L-RNF
 (C)=4TN82L-RNF

(D)=
 (E)=
 (F)=



No.	Lev.	Parts No.	Description	Q'ty						I	R
				(A)	(B)	(C)	(D)	(E)	(F)		
1	1	719810-53100	VALVE ASSY,INJECTION	3							
2	1	729100-53100	VALVE ASSY,INJECTION		3	4					
3	2	119810-53000	VALVE ASSY,INJECTION	3							
6	2	129100-53000	VALVE ASSY,INJECTION		3	4					
9	2	114250-53080	NUT, NOZZLE D16.95	3	3	4					
13	2	114250-53120	SPRING, NOZZLE	3	3	4					
14	2	114250-53130	SEAT, SPRING	3	3	4					
15	2	114250-53140	PLATE	3	3	4					
16	1	114250-53210	PIN	6	6	8					
17	1	114250-53400	SHIM SET	3	3	4					
24	1	129150-59120	RETAINER, PIPE	1	1						
27	2	129150-59130	BOLT, M4X12	2	2						
28	1	129550-59120	RETAINER, PIPE				1				
31	2	129150-59130	BOLT, M4X12			2					
33	1	119810-59810	PIPE ASSY, INJECTION	1							
37	1	119810-59820	PIPE ASSY, INJECTION	1							
41	1	119810-59830	PIPE ASSY, INJECTION	1							
46	1	129100-59810	PIPE ASSY, INJECTION		1						
50	1	129100-59820	PIPE ASSY, INJECTION		1						
54	1	129100-59830	PIPE ASSY, INJECTION		1						
59	1	129400-59810	PIPE ASSY, INJECTION				1				
63	1	129400-59820	PIPE ASSY, INJECTION				1				
67	1	129400-59830	PIPE ASSY, INJECTION				1				
71	1	129400-59840	PIPE ASSY, INJECTION				1				

Fig.20. FUEL OIL PIPE

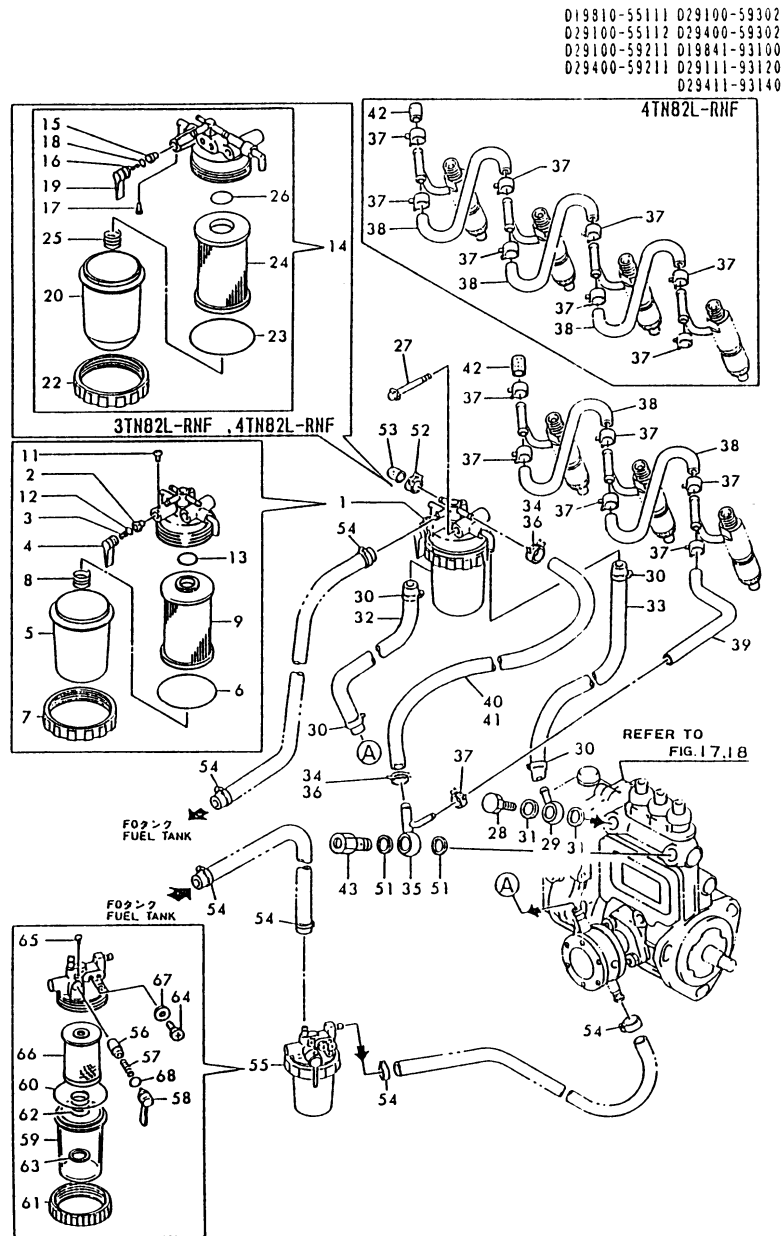


(A)=3TN75L-RNF
 (B)=3TN82L-RNF
 (C)=4TN82L-RNF

(D)=
 (E)=
 (F)=

No.	Lev.	Parts No.	Description	Q'ty						I	R
				(A)	(B)	(C)	(D)	(E)	(F)		
1	1	119810-55621	FILTER ASSY, FUEL	1							
2	2	104200-55321	VALVE, TAPER	1							
3	2	104200-55330	SPRING, VALVE	1							
4	2	119810-55340	LEVER	1							
5	2	121254-55510	COVER	1							
6	2	102103-55520	O-RING	1							
7	2	110250-55610	RING, RETAINING	1							
8	2	121250-55620	SPRING	1							
9	2	119810-55650	ELEMENT	1							
11	2	104200-55750	SCREW, M4	1							
12	2	24311-240100	O-RING, 1AP10A	1							
13	2	24311-000160	O-RING, 1AP16.0	1							
14	1	129100-55621	FILTER ASSY, FUEL		1	1					
15	2	104200-55321	VALVE, TAPER		1	1					
16	2	104200-55330	SPRING, VALVE		1	1					
17	2	104200-55750	SCREW, M4		1	1					
18	2	24311-240100	O-RING, 1AP10A		1	1					
19	2	129100-55670	LEVER		1	1					
20	2	129100-55680	CUP, STRAINER		1	1					
22	2	129100-55690	RING, RETAINING		1	1					
23	2	24321-000650	O-RING, 1AG65.0		1	1					
24	2	129100-55650	ELEMENT		1	1					
25	2	129100-55700	SPRING		1	1					
26	2	24311-000160	O-RING, 1AP16.0		1	1					
27	1	26014-080702	BOLT, M8X 70		1	1	1				
28	1	103854-39140	BOLT, PIPE JOINT		1	1	1				
29	1	101304-59020	JOINT, PIPE 12		1	1	1				
30	1	124766-59050	CLIP, HOSE 12		4	4	2				
31	1	104200-59170	GASKET, 12		2	2	2				
32	1	129555-59510	PIPE, D13/7.5X180		1	1	1				
33	1	105025-59530	PIPE, FUEL D13X400		1	1	1				
34	1	23000-013000	CLAMP, 13				2				
35	1	119840-59570	JOINT		1	1	1				
36	1	124766-59050	CLIP, HOSE 12		2	2	2				
37	1	124066-59100	CLIP, HOSE 8		7	7	9				
38	1	121250-59550	PIPE, FUEL D8X120		2	2	3				
39	1	119840-59560	PIPE, FUEL RETURN		1	1	1				
40	1	105025-59570	PIPE, FUEL		1	1					
41	1	105025-59530	PIPE, FUEL D13X400				1				
42	1	129150-59580	CAP		1	1	1				
43	1	129100-59951	VALVE ASSY, CHECK		1	1	1				
51	1	23414-120000	GASKET, 12X1.0		2	2	2				
52	1	124066-59100	CLIP, HOSE 8		1	1	1				
53	1	129150-59580	CAP		1	1	1				
54	1	124766-59050	CLIP, HOSE 12		6	6	6				
55	1	121257-55700	SEPARATOR, WATER		1	1	1				
56	2	104200-55321	VALVE, TAPER		1	1	1				
57	2	104200-55330	SPRING, VALVE		1	1	1				
58	2	104200-55341	HANDLE		1	1	1				
59	2	121254-55510	COVER		1	1	1				
60	2	102103-55520	O-RING		1	1	1				

Fig.20. FUEL OIL PIPE

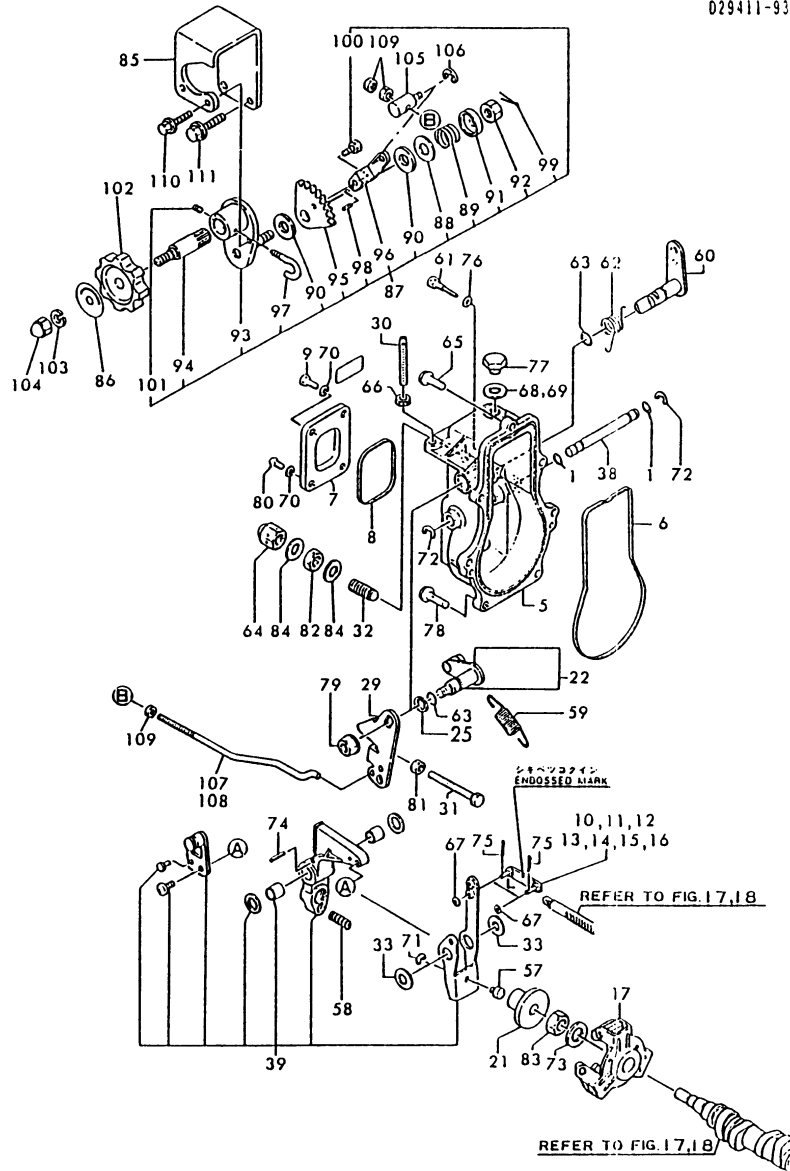


(A)=3TN75L-RNF
 (B)=3TN82L-RNF
 (C)=4TN82L-RNF

(D)=
 (E)=
 (F)=

No.	Lev.	Parts No.	Description	Qty						I	R
				(A)	(B)	(C)	(D)	(E)	(F)		
61	2	110250-55610	RING, RETAINING	1	1	1					
62	2	121257-55720	SPRING	1	1	1					
63	2	121257-55731	FLOAT	1	1	1					
64	2	101720-55750	PLUG, 6	2	2	2					
65	2	104200-55750	SCREW, M4	1	1	1					
66	2	171081-55910	SCREEN	1	1	1					
67	2	23418-060000	GASKET, 6X1.0	2	2	2					
68	2	24311-240100	O-RING, 1AP10A	1	1	1					

Fig.21. GOVERNOR



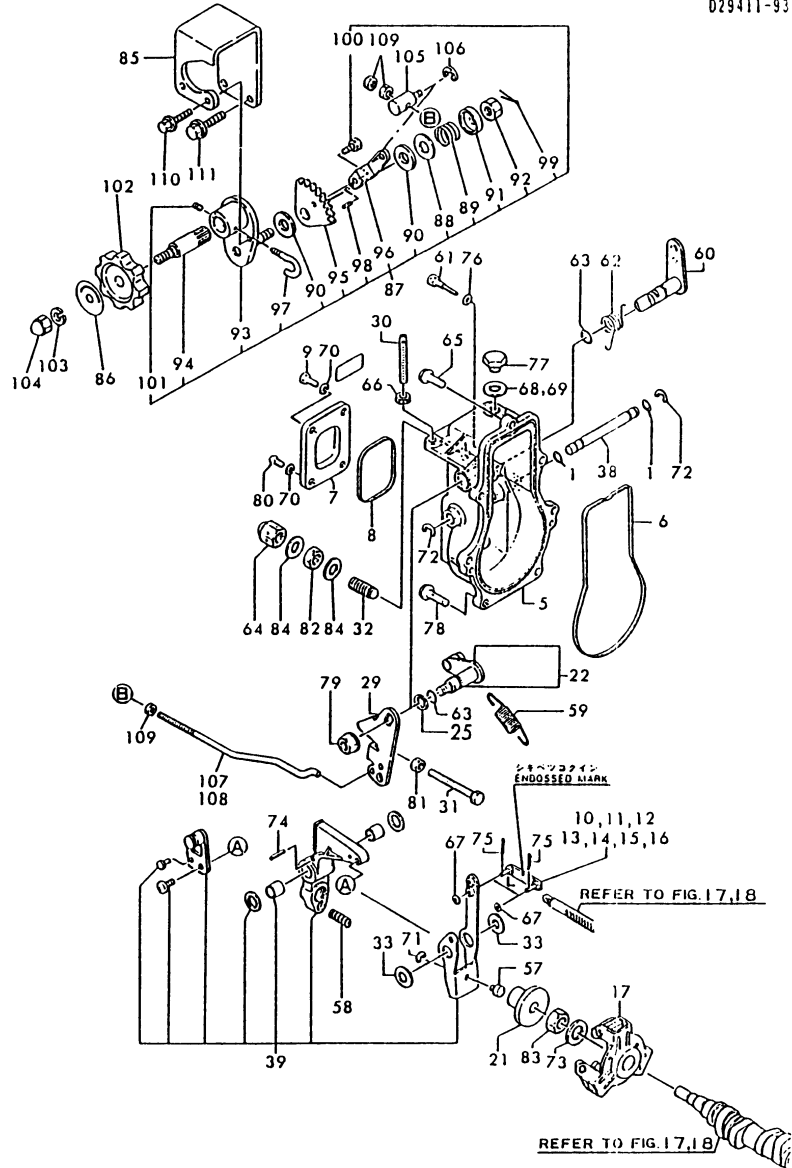
019910-61300
 029102-61300
 029402-61300
 019841-93100
 029111-93120
 029411-93140

(A)=3TN75L-RNF
 (B)=3TN82L-RNF
 (C)=4TN82L-RNF

(D)=
 (E)=
 (F)=

No.	Lev.	Parts No.	Description	Q'ty						I	R
				(A)	(B)	(C)	(D)	(E)	(F)		
1	1	129155-51280	O-RING, S6	2	2	2					
5	1	129155-61011	CASE, GOVERNOR	1	1	1					
6	1	129155-61050	GASKET	1	1	1					
7	1	129155-61060	COVER, GOVERNOR CASE	1	1	1					
8	1	129155-61070	GASKET	1	1	1					
9	1	129155-61090	BOLT	1	1	1					
10	1	129155-61120	LINK, L=30 MARK 0	1	1	1					
11	1	129155-61130	LINK, L=31 MARK 1	1	1	1					
12	1	129155-61140	LINK, L=30.5 MARK 05	1	1	1					
13	1	129155-61150	LINK, L=33	1	1	1					
14	1	129155-61160	LINK, L=34 MARK4	1	1	1					
15	1	129155-61170	LINK, L=28 MARK 8	1	1	1					
16	1	129155-61180	LINK, L=29 MARK 9	1	1	1					
17	1	129155-61201	WEIGHT ASSY,GOVERNOR	1	1	1					
21	1	129155-61341	SLEEVE	1	1	1					
22	1	129100-61400	SHAFT ASSY	1	1	1					
25	1	129155-61430	SPACER	1	1	1					
29	1	129100-61440	LEVER, CONTROL	1	1	1					
30	1	129155-61450	BOLT, LIMITER	1	1	1					
31	1	129155-61460	BOLT, IDLE	1	1	1					
32	1	129155-61470	BOLT, CONTROL	1	1	1					
33	1	129155-61480	SPACER ASSY	2	2	2					
38	1	129155-61490	SHAFT	1	1	1					
39	1	129100-61500	LEVER ASSY, GOVERNOR	1	1	1					
57	1	129155-61540	SHIFTER	1	1	1					
58	1	129470-61650	SPRING, FUEL CONTROL	1	1	1					
59	1	129500-61700	SPRING, GOVERNOR	1	1	1					
60	1	129155-61802	LEVER, STOP	1	1	1					
61	1	129155-61810	PIN	1	1	1					
62	1	129100-61821	SPRING, RETURN	1	1	1					
63	1	129155-61830	O-RING, S10	3	3	3					
64	1	129100-61930	NUT, CAP	1	1	1					
65	1	129155-61950	BOLT	1	1	1					
66	1	124550-66370	NUT, M6	1	1	1					
67	1	22117-040000	WASHER, 4	2	2	2					
68	1	43400-500430	SEAL WASHER 10S				1				
69	1	43400-500450	SEAL WASHER 12S	1	1						
70	1	22217-050000	WASHER, SPRING 5	4	4	4					
71	1	22272-000040	RING, E- 4	1	1	1					
72	1	22272-000060	RING, E- 6	2	2	2					
73	1	22287-120000	WASHER, 12	1	1	1					
74	1	22351-030016	PIN, SPRING 3.0X16	1	1	1					
75	1	22372-040000	PIN, SNAP 4	2	2	2					
76	1	43400-500390	SEAL WASHER 6S	1	1	1					
77	1	23887-100002	PLUG, 10	1	1	1					
78	1	26106-060202	BOLT, M6X 20 PLATED	6	6	6					
79	1	26366-080002	NUT, M8	1	1	1					
80	1	26557-050102	SCREW, M5X10	3	3	3					
81	1	26756-060002	NUT, LOCK M6	2	2	2					
82	1	26776-120002	NUT, LOCK M12	1	1	1					
83	1	26777-120002	NUT, LOCK M12	1	1	1					

Fig.21. GOVERNOR



019910-61300
 029102-61300
 029402-61300
 019841-93100
 029111-93120
 029411-93140

(A)=3TN75L-RNF
 (B)=3TN82L-RNF
 (C)=4TN82L-RNF

(D)=
 (E)=
 (F)=

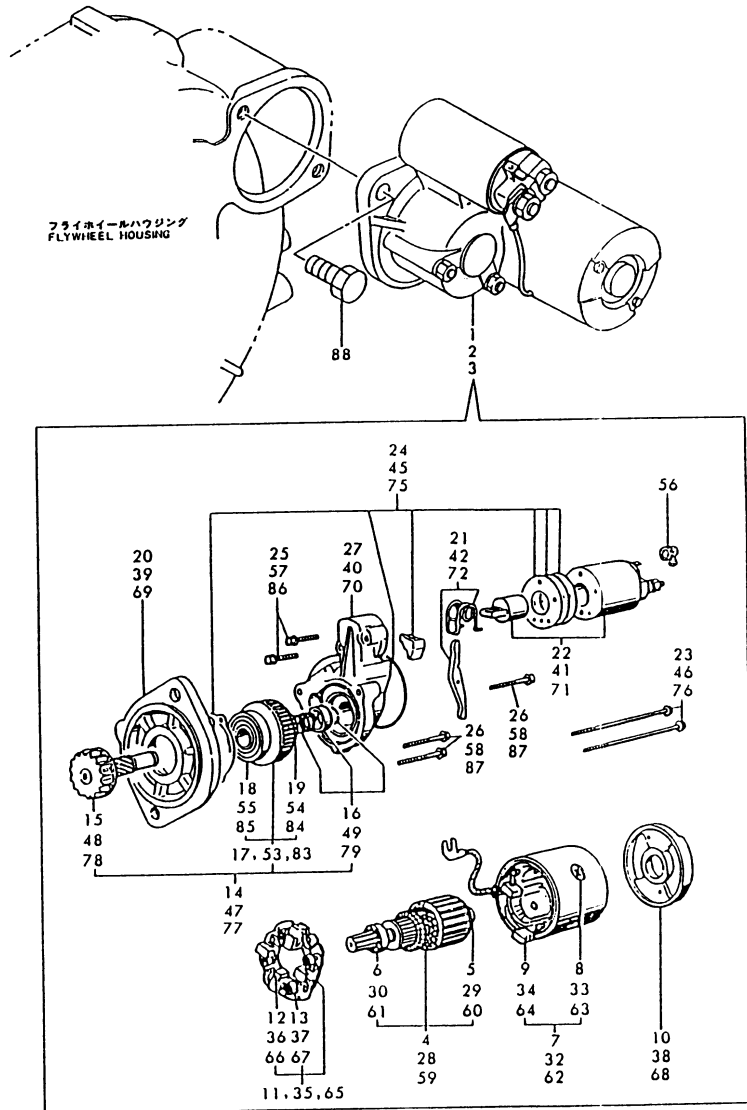
No.	Lev.	Parts No.	Description	Q'ty						I	R
				(A)	(B)	(C)	(D)	(E)	(F)		
84	1	43400-500450	SEAL WASHER 12S	2	2	2					
85	1	119888-66110	BRACKET	1	1	1					
86	1	170064-67210	LABEL, HANDLE	1	1	1					
87	1	171048-67010	CONTROLLER ASSY	1	1	1					
88	2	171102-66080	WASHER	1	1	1					
89	2	104200-66820	SPRING	1	1	1					
90	2	104200-66830	PLATE, FRICTION	2	2	2					
91	2	104200-66850	WASHER	1	1	1					
92	2	104200-66860	NUT	1	1	1					
93	2	171085-67100	BRACKET	1	1	1					
94	2	171085-67110	SHAFT, DRIVE	1	1	1					
95	2	171085-67120	GEAR	1	1	1					
96	2	171048-67130	LEVER	1	1	1					
97	2	171048-67140	STOPPER	1	1	1					
98	2	22351-020006	PIN, SPRING 2.0X 6	1	1	1					
99	2	22411-200150	COTTER PIN	1	1	1					
100	2	26116-060082	BOLT, M6X 8 PLATED	1	1	1					
101	2	26921-050122	SCREW, M5X12	1	1	1					
102	1	126650-66020	HANDLE, REGULATOR	1	1	1					
103	1	22217-100000	WASHER, SPRING 10	1	1	1					
104	1	26657-100002	NUT, CAP M10	1	1	1					
105	1	119888-66130	PIVOT	1	1	1					
106	1	22272-000050	RING, E- 5	1	1	1					
107	1	119888-66120	LINK, ENGINE CONTROL	1	1						
108	1	129488-66120	LINK, ENGINE CONTROL							1	
109	1	26756-050002	NUT, LOCK M5	3	3	3					
110	1	26106-060102	BOLT, M6X 10 PLATED	2	2	2					
111	1	26106-080162	BOLT, M8X 16 PLATED	2	2	2					

Fig.22. STARTING MOTOR(COMPONENT PART)

(A)=3TN75L-RNF
 (B)=3TN82L-RNF
 (C)=4TN82L-RNF

(D)=
 (E)=
 (F)=

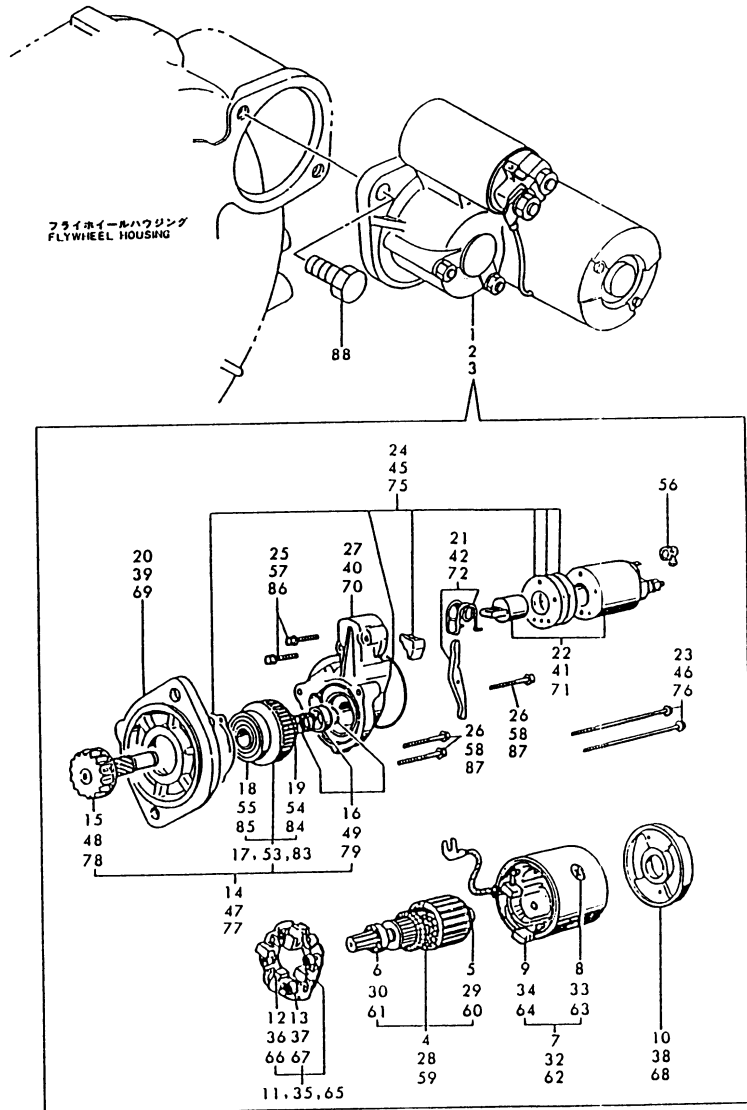
019810-77120
 029100-77100
 029400-77130



No.	Lev.	Parts No.	Description	Q'ty						I	R
				(A)	(B)	(C)	(D)	(E)	(F)		
1	1	124976-77011	STARTER, S114-349A	1							
2	1	171008-77010	STARTER, S114-483		1						
3	1	129400-77011	STARTER, S13-94A			1					
4	2	X211451007	ARMATURE ASSY	1							
5	3	X211415502	BEARING, BALL	1							
6	3	X211425502	BEARING, BALL	1							
7	2	X211472106	COIL ASSY, FIELD	1							
8	3	X21148215	SCREW, POLE CORE	4							
9	3	X21143315	BRUSH (+)	2							
10	2	X211483003	COVER	1							
11	2	X211429007	HOLDER ASSY, BRUSH	1							
12	3	X211459002	BRUSH (-)	2							
13	3	X21148314	SPRING, BRUSH	4							
14	2	X211415505	CLUTCH ASSY	1							
15	3	X211495009	SHAFT	1							
16	3	X211429006	STOPPER SET	1							
17	3	X211425505	CLUTCH ASSY	1							
18	4	X211435502	BALL BEARING	1							
19	4	X211445502	BALL BEARING	1							
20	2	X211476504	HOUSING ASSY, GEAR	1							
21	2	X21146012	LEVER, SHIFT	1							
22	2	X211447007	SWITCH, MAGNETIC	1							
23	2	X211468005	BOLT, THROUGH	2							
24	2	X211448004	COVER KIT	1							
25	2	X21145866	BOLT	2							
26	2	X21142867	BOLT	3							
27	2	X211414501	HOUSING, CENTER	1							
28	2	171008-77400	ARMATURE ASSY		1						
29	3	171008-77410	BEARING(1)		1						
30	3	171008-77420	BEARING(2)		1						
32	3	171008-77440	COIL ASSY, FIELD		1						
33	4	171008-77450	SCREW		4						
34	4	171008-77460	BRUSH (+)		2						
35	2	171008-77470	HOLDER ASSY, BRUSH		1						
36	3	171008-77480	BRUSH (-)		2						
37	3	171008-77490	SPRING, BRUSH		4						
38	2	171008-77500	COVER, REAR		1						
39	2	171008-77510	HOUSING ASSY, GEAR		1						
40	2	171008-77520	HOUSING, CENTER		1						
41	2	171008-77530	SWITCH, MAGNETIC		1						
42	2	171008-77540	LEVER SET, SHIFT		1						
45	2	171008-77571	DUST COVER,(NON-ASB.		1						
46	2	171008-77640	BOLT, THROUGH		2						
47	2	171008-77650	PINION ASSY		1						
48	3	171008-77660	SHAFT, PINION		1						
49	3	171008-77670	STOPPER SET, PINION		1						
53	3	171008-77720	CLUTCH ASSY		1						
54	4	171008-77730	BALL BEARING (3)		1						
55	4	171008-77740	BALL BEARING (4)		1						
56	2	171008-77750	COVER, M TERMINAL		1						
57	2	26106-060322	BOLT, M6X 32 PLATED		2						

Fig.22. STARTING MOTOR(COMPONENT PART)

019810-77120
 029100-77100
 029400-77130



(A)=3TN75L-RNF
 (B)=3TN82L-RNF
 (C)=4TN82L-RNF

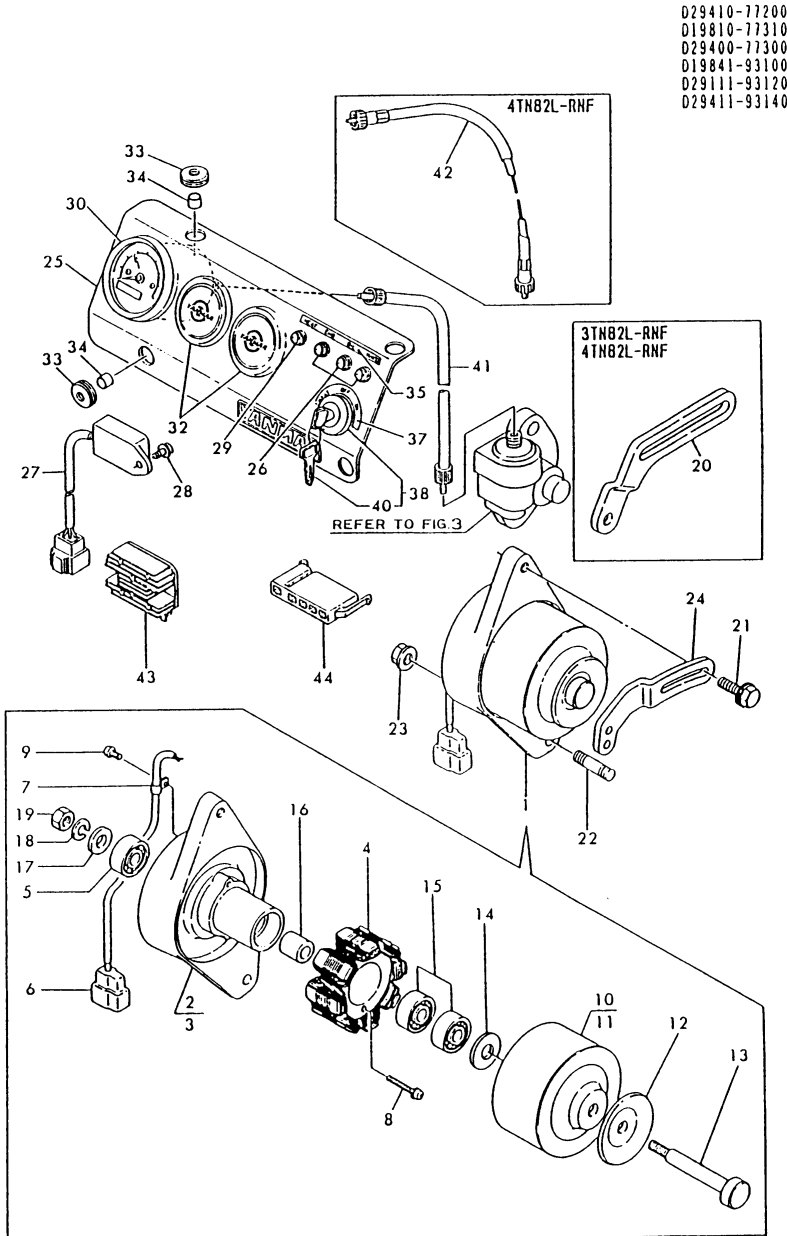
(D)=
 (E)=
 (F)=

No.	Lev.	Parts No.	Description	Qty						I	R
				(A)	(B)	(C)	(D)	(E)	(F)		
58	2	26106-060402	BOLT, M6X 40 PLATED		3						
59	2	129400-77400	ARMATURE ASSY			1					
60	3	171008-77410	BEARING(1)			1					
61	3	171008-77420	BEARING(2)			1					
62	2	129400-77440	COIL ASSY, FIELD			1					
63	3	171008-77450	SCREW			4					
64	3	129400-77460	BRUSH (+)			2					
65	2	129400-77470	HOLDER ASSY, BRUSH			1					
66	3	129400-77480	BRUSH (-)			2					
67	3	129400-77490	SPRING, BRUSH			4					
68	2	129400-77510	COVER, REAR			1					
69	2	171008-77510	HOUSING ASSY, GEAR			1					
70	2	129400-77520	HOUSING, CENTER			1					
71	2	129400-77530	SWITCH ASSY, MAGNETIC			1					
72	2	171008-77540	LEVER SET, SHIFT			1					
75	2	129400-77570	COVER KIT, DUST			1					
76	2	129400-77640	BOLT, THROUGH			2					
77	2	171008-77650	PINION ASSY			1					
78	3	171008-77660	SHAFT, PINION			1					
79	3	171008-77670	STOPPER SET, PINION			1					
83	3	171008-77720	CLUTCH ASSY			1					
84	4	171008-77730	BALL BEARING (3)			1					
85	4	171008-77740	BALL BEARING (4)			1					
86	2	26106-060322	BOLT, M6X 32 PLATED			2					
87	2	26106-060402	BOLT, M6X 40 PLATED			3					
88	1	26116-120252	BOLT, M12X 25 PLATED		2	2	2				

Fig.23. GENERATOR(COMPONENT PART)

(A)=3TN75L-RNF
 (B)=3TN82L-RNF
 (C)=4TN82L-RNF

(D)=
 (E)=
 (F)=



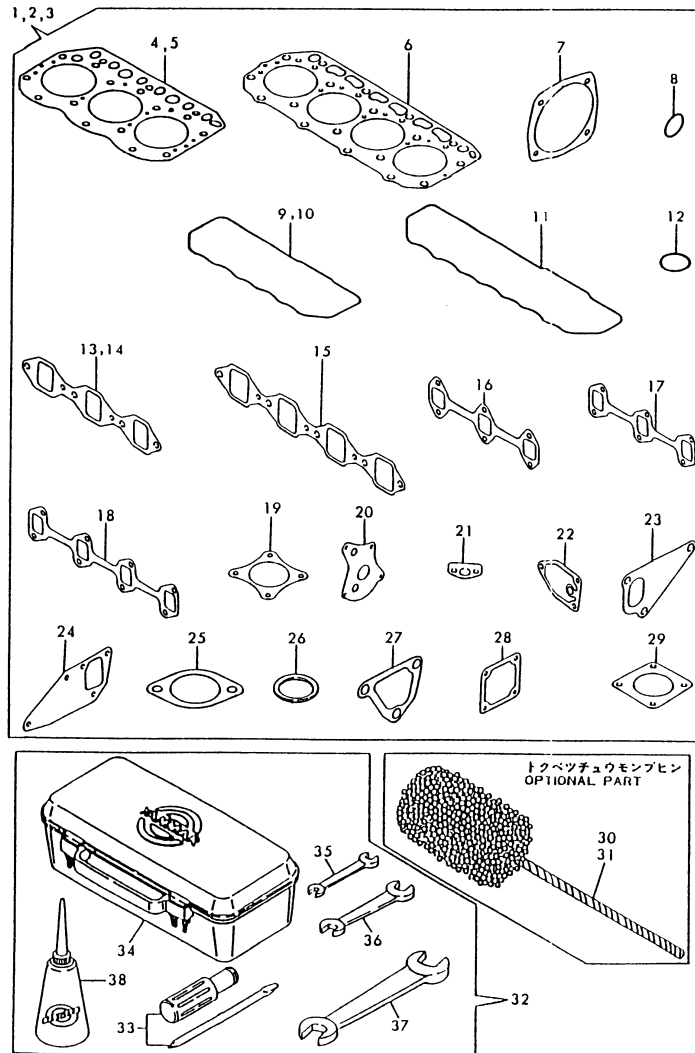
No.	Lev.	Parts No.	Description	Q'ty						I	R
				(A)	(B)	(C)	(D)	(E)	(F)		
1	1	171301-77201	DYNAMO ASSY, 15A	1	1	1					
2	2	XM08137	PLATE ASSY	1	1	1					
3	3	XM08138	PLATE	1	1	1					
4	3	XM08180	STATOR ASSY	1	1	1					
5	3	XM27436	BALL BEARING	1	1	1					
6	3	XM17878	COUPLER	1	1	1					
7	3	XM36410	CLAMP	1	1	1					
8	3	26022-040252	SCREW, M4X25	2	2	2					
9	3	XYSPS4008	SCREW	1	1	1					
10	2	XM82184	FLYWHEEL ASSY	1	1	1					
11	3	XM82110	FLYWHEEL	1	1	1					
12	3	XM72174	PULLEY	1	1	1					
13	3	XM72664	SHAFT	1	1	1					
14	3	XM37336	WASHER	1	1	1					
15	3	XM27436	BALL BEARING	2	2	2					
16	2	106383-44720	SPACER	1	1	1					
17	2	106383-44730	WASHER	1	1	1					
18	2	22212-100000	SPRING WASHER 10	1	1	1					
19	2	26716-100002	NUT, M10	1	1	1					
20	1	129400-77330	ADJUSTER		1	1					
21	1	26014-080252	BOLT, M8X 25	1	1	1					
22	1	121450-01570	STUD	1	1	1					
23	1	26366-100002	NUT, M10	1	1	1					
24	1	119810-77330	ADJUSTER	1							
25	1	119888-91400	PANEL ASSY	1	1	1					
26	2	124732-77720	LAMP, CHARGING	3	3	3					
27	2	128300-77920	TIMER	1	1	1					
28	2	26106-060102	BOLT, M6X 10 PLATED	1	1	1					
29	2	124559-77971	LAMP, PILOT	1	1	1					
30	2	171080-91100	TACHOMETER	1	1	1					
32	2	124770-91220	COVER	2	2	2					
33	2	121400-91520	ABSORBER	4	4	4					
34	2	121400-91530	SPACER	4	4	4					
35	2	119888-91610	LABEL, CW & OIL LAMP	1	1	1					
37	2	119888-91620	LABEL, KEY SWITCH	1	1	1					
38	2	933110-00100	SWITCH ASSY, STARTER	1	1	1					
40	3	933110-00301	KEY ASSY	1	1	1					
41	1	121400-91140	SHAFT	1	1						
42	1	194145-56901	CABLE, HOUR-METER			1					
43	1	119660-77710	LIMITER, CURRENT 15A	1	1	1					
43-1	1	119660-77711	LIMITER, CURRENT 15A	1	1	1					N
		(A=*1999.07.) (B=*1999.07.) (C=*1999.07.)									
44	1	171301-77720	COUPLER	1	1	1					

Fig.24. GASKET SET (OPTIONAL) & TOOL

(A)=3TN75L-RNF
 (B)=3TN82L-RNF
 (C)=4TN82L-RNF

(D)=
 (E)=
 (F)=

D19841-93100
 D29111-93120
 D29411-93140



No.	Lev.	Parts No.	Description	Q'ty						I	R
				(A)	(B)	(C)	(D)	(E)	(F)		
1	1	719888-92602	GASKET SET	1							1
2	1	729188-92602	GASKET SET		1						1
3	1	729488-92602	GASKET SET			1					1
4	2	119865-01331	GASKET, HEAD T=1.4	1							
5	2	129156-01332	GASKET, HEAD		1						
6	2	129402-01321	GASKET, HEAD				1				
7	2	124240-01883	GASKET	1	1	1					
8	2	24311-000320	O-RING, 1AP32.0	1	1	1					
9	2	119865-11310	GASKET, BONNET	1							
10	2	129150-11310	GASKET, BONNET		1						
11	2	129550-11310	GASKET, BONNET				1				
12	2	24311-000320	O-RING, 1AP32.0	1	1	1					
13	2	119810-12111	GASKET, MANIFOLD	1							
14	2	129150-12111	GASKET, MANIFOLD		1						
15	2	129550-12111	GASKET, MANIFOLD				1				
16	2	119810-13110	GASKET	1							
17	2	129150-13110	GASKET		1						
18	2	129550-13110	GASKET				1				
19	2	121000-13200	GASKET, SILENCER	1	1						
20	2	129150-32020	GASKET, PUMP	1	1	1					
21	2	129150-35041	GASKET	1	1	1					
22	2	129150-35111	GASKET	1							
23	2	129100-42020	GASKET, WATER PUMP		1	1					
24	2	129150-42020	GASKET, WATER PUMP	1							
25	2	129795-49551	GASKET	1	1	1					
26	2	129150-49811	GASKET, THERMOSTAT	1	1	1					
27	2	129100-49840	GASKET		1	1					
28	2	129150-77511	GASKET	1	1	1					
29	2	129400-13201	GASKET, SILENCER				1				
30	1	129400-92410	FLEX HORN	1							1
31	1	129400-92420	FLEX HORN		1	1					1
32	1	171001-93100	BOX, TOOL	1	1	1					
33	2	104200-92350	DRIVER, SCREW	1	1	1					
34	2	104200-92600	BOX, TOOL	1	1	1					
35	2	28110-100120	SPANNER, 10X12	1	1	1					
36	2	28110-140170	SPANNER, 14X17	1	1	1					
37	2	28110-190220	SPANNER, 19X22	1	1	1					
38	2	28210-000140	OILER	1	1	1					

Remarks
 (1) OPTIONAL PART.

Parts No. Index

Parts No.	Fig. No.	Ref. No.
101158-11190	6	17
101304-59020	20	29
101720-55750	20	64
102103-55520	20	6
		60
103338-11190	7	18
	8	18
103854-39140	20	28
104200-55321	20	2
		15
		56
104200-55330	20	3
		16
		57
104200-55341	20	58
104200-55750	20	11
		17
		65
104200-59170	20	31
104200-66820	21	89
104200-66830	21	90
104200-66850	21	91
104200-66860	21	92
104200-92350	24	33
104200-92600	24	34
104211-11180	6	16
104211-11370	6	20
105025-59530	20	33
		41
105025-59570	20	40
106383-44720	23	16
106383-44730	23	17
110250-55610	20	7
		61
114250-53080	19	9
114250-53120	19	13
114250-53130	19	14
114250-53140	19	15
114250-53210	19	16
114250-53400	19	17
119600-34800	14	23
119620-01750	4	2
119620-02020	1	11
119625-11870	6	35
	7	36
	8	37
119625-11880	6	36
	7	37
	8	38
119625-11900	6	37

Parts No.	Fig. No.	Ref. No.
119625-11900	7	38
	8	39
119660-77710	23	43
119660-77711	23	43 -1
119810-01200	1	40
119810-01730	5	5
119810-01770	5	1
119810-01780	4	10
119810-02870	1	45
119810-02940	1	48
119810-11080	6	5
119810-11090	6	6
119810-11100	6	13
119810-11120	6	15
119810-11130	6	14
119810-11240	6	28
119810-11300	6	53
119810-12111	9	4
	24	13
119810-13110	11	4
	24	16
119810-14011	12	1
119810-14400	12	6
119810-22090	13	26
119810-22300	13	40
119810-22400	13	41
119810-23200	13	60
119810-23600	13	62
119810-23610	13	68
119810-23910	13	66
119810-32000	14	1
119810-35300	14	27
119810-39200	14	55
119810-42001	15	2
119810-51040	17	4
119810-51200	17	12
119810-53000	19	3
119810-55340	20	4
119810-55621	20	1
119810-55650	20	9
119810-59810	19	33
119810-59820	19	37
119810-59830	19	41
119810-77330	23	24
119831-42290	15	33
119840-59560	20	39
119840-59570	20	35
119860-01640	4	6
119865-01331	1	42
	24	4

Parts No.	Fig. No.	Ref. No.
119865-11200	6	23
119865-11310	6	54
	24	9
119865-21600	13	19
		22
		25
119865-35300	14	43
119865-35320	14	45
119865-35330	14	46
119865-35350	14	50
119888-13101	11	1
119888-13500	10	3
119888-13600	10	6
119888-13651	10	9
119888-13670	10	12
119888-13680	10	15
119888-66110	21	85
119888-66120	21	107
119888-66130	21	105
119888-91400	23	25
119888-91610	23	35
119888-91620	23	37
120130-11860	7	41
	8	42
121000-13200	10	1
	24	19
121100-22400	13	39
121111-21501	13	16
121250-44901	15	58
121250-55620	20	8
121250-59550	20	38
121254-55510	20	5
		59
121256-44600	16	30
121257-55700	20	55
121257-55720	20	62
121257-55731	20	63
121400-11340	7	20
	8	20
121400-91140	23	41
121400-91520	23	33
121400-91530	23	34
121450-01560	3	3
121450-01570	23	22
121450-42450	15	57
121520-34810	14	24
121550-23200	13	61
121550-49111	16	17
121850-11860	6	8
	7	9

Parts No.	Fig. No.	Ref. No.
121850-11860	8	9
	15	1
121850-21680	13	15
121850-51960	3	9
	18	77
121850-61380	18	78
122117-51560	17	50
	18	47
122710-51050	17	94
	18	4
122710-51090	17	7
	18	7
123682-44210	16	4
124060-11800	6	40
124066-59100	20	37
		52
124160-01751	3	4
	6	51
	7	53
	8	54
124160-01910	1	5
		22
	2	4
		5
124160-11340	6	19
124160-11360	6	55
	7	57
	8	58
124160-39140	14	54
124160-39450	14	59
124240-01871	3	6
124240-01883	3	7
	24	7
124450-44510	16	23
124450-44530	16	25
124450-44550	16	29
124450-44560	16	26
124460-11340	7	19
	8	19
124465-44950	15	59
		60
124550-51350	17	32
	18	29
124550-51370	17	33
	18	30
124550-59820	14	68
124550-66370	21	66
124559-77971	23	29
124574-44761	15	38
124700-44740	15	35

Parts No. Index

Parts No.	Fig. No.	Ref. No.
124732-42290	15	34
124732-77720	23	26
124736-07900	6	49
	7	51
	8	52
124764-44800	16	5
124764-44810	16	28
124764-44920	16	6
124766-59050	20	30
		36
		54
124770-11770	15	44
124770-91220	23	32
124950-11340	6	18
124950-51190	17	11
	18	11
124976-77011	22	1
126650-66020	21	102
128170-51300	17	27
	18	24
128300-77920	23	27
129100-01580	4	3
		12
	13	10
129100-01640	4	7
129100-01730	5	13
129100-01770	5	8
129100-01790	5	11
		21
129100-11100	7	14
	8	14
129100-11130	7	15
	8	15
129100-11300	7	55
129100-23910	13	67
129100-25061	12	9
129100-25900	17	112
	18	108
129100-35301	14	31
129100-42002	15	15
129100-42020	15	26
	24	23
129100-49050	16	18
129100-49800	15	43
129100-49820	15	46
129100-49830	15	47
129100-49840	15	52
	24	27
129100-52100	17	96
	18	92

Parts No.	Fig. No.	Ref. No.
129100-53000	19	6
129100-55621	20	14
129100-55650	20	24
129100-55670	20	19
129100-55680	20	20
129100-55690	20	22
129100-55700	20	25
129100-59810	19	46
129100-59820	19	50
129100-59830	19	54
129100-59951	20	43
129100-61400	21	22
129100-61440	21	29
129100-61500	21	39
129100-61821	21	62
129100-61930	21	64
129111-13500	10	4
129111-13600	10	7
129111-13650	10	10
129111-13670	10	13
129111-13680	10	16
129111-44560	16	20
129120-77501	9	9
129122-12100	9	2
129150-01200	1	41
	2	26
129150-02020	1	28
	2	11
129150-02300	2	18
129150-02310	2	19
129150-02450	1	38
	2	24
129150-02800	1	29
	2	12
129150-02870	1	51
	2	28
129150-02930	1	32
	2	15
129150-02940	1	54
	2	31
129150-03010	6	41
	7	43
	8	44
129150-03070	6	44
	7	46
	8	47
129150-03080	6	43
	7	45
	8	46
129150-03100	6	48

Parts No.	Fig. No.	Ref. No.
129150-03100	7	50
	8	51
129150-11230	6	25
	7	33
	8	32
129150-11280	6	33
	7	27
	8	30
129150-11290	7	28
129150-11310	7	56
	24	10
129150-11370	7	21
	8	21
129150-11750	6	27
	7	34
	8	34
129150-11810	7	42
	8	43
129150-12111	9	5
	24	14
129150-13110	11	5
	24	17
129150-14011	12	2
129150-14101	12	4
129150-14200	12	5
129150-14400	12	7
129150-21200	13	7
129150-22300	13	38
129150-23600	13	63
129150-23610	13	70
129150-25101	12	10
129150-32000	14	11
129150-32020	14	21
	24	20
129150-35041	14	26
	24	21
129150-35101	14	40
129150-35111	14	41
	24	22
129150-35150	14	42
129150-35340	14	47
129150-35350	14	51
129150-39450	14	60
129150-42020	15	27
	24	24
129150-49080	16	12
129150-49100	16	11
129150-49811	15	51
	24	26
129150-59120	19	24

Parts No.	Fig. No.	Ref. No.
129150-59130	19	27
		31
129150-59580	20	42
		53
129150-77511	9	10
	24	28
129150-91400	3	22
129155-11241	7	24
129155-11260	6	31
	7	25
	8	28
129155-11270	6	32
	7	26
	8	29
129155-42350	15	31
129155-49800	15	50
129155-51020	17	87
	18	86
129155-51140	17	8
	18	8
129155-51180	17	10
	18	10
129155-51200	17	15
	18	12
129155-51250	17	20
	18	17
129155-51270	17	25
	18	22
129155-51280	17	26
	18	23
	21	1
129155-51320	17	30
	18	27
129155-51340	17	31
	18	28
129155-51370	17	34
	18	31
129155-51380	17	35
	18	32
129155-51390	17	36
	18	33
129155-51400	17	37
129155-51410	17	38
	18	35
129155-51420	17	39
	18	36
129155-51450	17	40
	18	37
129155-51500	17	45
129155-51521	17	46

Parts No. Index

Parts No.	Fig. No.	Ref. No.
129155-51521	18	43
129155-51530	17	47
	18	44
129155-51540	17	48
	18	45
129155-51550	17	49
	18	46
129155-51570	17	52
	18	49
129155-51580	17	53
	18	50
129155-51591	17	54
	18	51
129155-51600	17	55
	18	52
129155-51700	17	74
129155-51710	17	75
129155-51750	17	76
129155-51760	17	77
129155-51790	17	78
	18	75
129155-52050	17	95
	18	91
129155-61011	21	5
129155-61050	21	6
129155-61060	21	7
129155-61070	21	8
129155-61090	21	9
129155-61120	21	10
129155-61130	21	11
129155-61140	21	12
129155-61150	21	13
129155-61160	21	14
129155-61170	21	15
129155-61180	21	16
129155-61201	21	17
129155-61341	21	21
129155-61430	21	25
129155-61450	21	30
129155-61460	21	31
129155-61470	21	32
129155-61480	21	33
129155-61490	21	38
129155-61540	21	57
129155-61802	21	60
129155-61810	21	61
129155-61830	21	63
129155-61950	21	65
129156-01332	1	43
	24	5

Parts No.	Fig. No.	Ref. No.
129156-51910	17	79
	18	76
129350-49530	15	41
129400-01500	3	1
129400-01520	3	2
129400-01730	5	23
129400-01770	5	18
129400-11300	8	56
129400-13201	10	2
	24	29
129400-51200	17	22
	18	19
129400-59810	19	59
129400-59820	19	63
129400-59830	19	67
129400-59840	19	71
129400-77011	22	3
129400-77330	23	20
129400-77400	22	59
129400-77440	22	62
129400-77460	22	64
129400-77470	22	65
129400-77480	22	66
129400-77490	22	67
129400-77510	22	68
129400-77520	22	70
129400-77530	22	71
129400-77570	22	75
129400-77640	22	76
129400-92410	24	30
129400-92420	24	31
129402-01321	2	27
	24	6
129402-22090	13	32
129403-42380	15	32
129403-44740	15	36
129411-13100	11	3
129411-13500	10	5
129411-13600	10	8
129411-13650	10	11
129411-13670	10	14
129411-13680	10	17
129411-44560	16	21
129436-35090	14	35
129470-11080	7	5
	8	5
129470-11090	7	6
	8	6
129470-51040	18	3
129470-51060	17	5

Parts No.	Fig. No.	Ref. No.
129470-51060	18	5
129470-51080	17	6
	18	6
129470-61650	21	58
129488-12100	9	3
129488-66120	21	108
129500-61700	21	59
129550-11290	8	25
129550-11310	8	57
	24	11
129550-12111	9	6
	24	15
129550-13110	11	6
	24	18
129550-14011	12	3
129550-39450	14	64
129550-59120	19	28
129555-11241	8	24
129555-51400	18	34
129555-51500	18	42
129555-51700	18	71
129555-51710	18	72
129555-51750	18	73
129555-51760	18	74
129555-59510	20	32
129795-01780	4	11
129795-01800	3	5
129795-01950	3	8
129795-02411	1	37
	2	20
129795-11120	7	16
	8	16
129795-11180	7	17
	8	17
129795-21661	13	14
129795-49551	15	42
	24	25
170064-67210	21	86
171001-93100	24	32
171008-77010	22	2
171008-77400	22	28
171008-77410	22	29
	60	
171008-77420	22	30
	61	
171008-77440	22	32
171008-77450	22	33
	63	
171008-77460	22	34
171008-77470	22	35

Parts No.	Fig. No.	Ref. No.
171008-77480	22	36
171008-77490	22	37
171008-77500	22	38
171008-77510	22	39
	69	
171008-77520	22	40
171008-77530	22	41
171008-77540	22	42
	72	
171008-77571	22	45
171008-77640	22	46
171008-77650	22	47
	77	
171008-77660	22	48
	78	
171008-77670	22	49
	79	
171008-77720	22	53
	83	
171008-77730	22	54
	84	
171008-77740	22	55
	85	
171008-77750	22	56
171048-67010	21	87
171048-67130	21	96
171048-67140	21	97
171051-01921	1	6
	23	
	2	6
171080-91100	23	30
171081-55910	20	66
171085-67100	21	93
171085-67110	21	94
171085-67120	21	95
171102-66080	21	88
171301-01600	4	1
171301-01640	5	2
	9	
	19	
171301-12701	9	1
171301-21580	13	17
171301-21650	13	12
171301-44500	16	1
171301-44560	16	22
171301-49010	16	7
171301-49020	16	9
171301-77201	23	1
171301-77720	23	44
171340-21580	13	20

Parts No. Index

Parts No.	Fig. No.	Ref. No.
171340-21650	13	13
171340-44740	15	37
171350-03090	6	47
	7	49
	8	50
171350-13100	11	2
171420-21580	13	23
171420-34820	14	25
171420-49010	16	8
171420-49020	16	10
171440-44500	16	2
171460-44500	16	3
174100-54120	17	21
	18	18
174307-51170	17	9
	18	9
174307-51560	17	51
	18	48
194145-56901	23	42
194990-22050	10	18
	11	12
22117-040000	21	67
22212-100000	23	18
22217-050000	17	80
		81
	18	79
	21	70
22217-060000	17	82
	18	80
22217-100000	21	103
22217-120000	17	113
	18	109
22272-000040	21	71
22272-000050	21	106
22272-000060	21	72
22287-120000	17	83
	18	81
	21	73
22351-020006	21	98
22351-030016	21	74
22351-040010	13	11
22351-050010	17	84
	18	82
22351-060012	6	21
	7	22
	8	22
22372-040000	21	75
22411-200150	21	99
22512-070140	12	8
	13	8

Parts No.	Fig. No.	Ref. No.
23000-013000	20	34
23000-016000	16	19
23010-038000	16	16
23061-070230	16	27
23414-080000	2	21
	14	69
23414-100000	14	71
23414-120000	20	51
23418-060000	20	67
23871-010000	1	7
		24
	2	7
23871-030000	2	22
	6	9
	7	10
	8	10
	15	13
		48
23887-100002	21	77
23887-120002	1	44
24311-000120	6	56
	7	58
	8	59
24311-000160	3	10
	14	52
	20	13
		26
24311-000320	3	11
	6	52
	7	54
	8	55
	24	8
		12
24311-240100	20	12
		18
		68
24321-000650	20	23
24341-000160	17	86
	18	83
24341-000240	3	24
	5	4
		12
		22
24341-000500	6	45
	7	47
	8	48
26014-060162	15	39
26014-060252	15	40
26014-080252	23	21
26014-080302	10	19

Parts No.	Fig. No.	Ref. No.
26014-080702	20	27
26022-040252	23	8
26022-050102	17	88
		89
26022-060162	17	90
	18	88
26106-060102	21	110
	23	28
26106-060162	3	25
26106-060202	21	78
26106-060322	22	57
		86
26106-060402	22	58
		87
26106-080102	10	20
26106-080122	2	23
	3	12
26106-080142	6	50
	7	52
	8	53
	10	21
26106-080162	1	39
	2	25
	3	13
		14
	5	6
		14
		24
	6	46
	7	48
	8	49
	21	111
26106-080202	3	15
	14	53
	15	53
26106-080252	5	15
		25
	6	38
	7	39
	8	40
	9	7
	15	54
26106-080302	4	13
26106-080352	4	14
	9	8
		11
	14	39
	15	28
26106-080452	3	16
	5	7

Parts No.	Fig. No.	Ref. No.
26106-080452	5	16
		26
	12	13
26106-080502	5	17
		27
	6	39
	7	40
	8	41
	15	55
26106-080552	3	17
	15	29
26106-080602	11	7
	15	30
		56
26106-080802	11	8
26106-080852	3	18
26116-050309	17	93
	18	85
26116-060082	21	100
26116-060162	15	49
26116-120252	22	88
26206-100252	4	4
26206-100302	4	5
26216-060202	7	11
	8	11
26216-060302	6	10
26216-080222	11	9
26216-080802	11	10
26226-080182	6	34
	7	35
	8	35
26226-080602	11	11
26366-060002	6	22
	7	23
	8	23
26366-080002	3	19
	21	79
26366-100002	23	23
26450-060252	14	22
26557-050102	18	87
		90
	21	80
26657-100002	21	104
26716-060002	17	91
	18	89
26716-100002	23	19
26716-120002	17	114
	18	110
26756-050002	21	109
26756-060002	21	81

Parts No. Index

Parts No.	Fig. No.	Ref. No.
26756-080002	8	36
26776-120002	21	82
26777-120002	21	83
26921-050122	21	101
27231-500000	1	8
		25
	2	8
27241-100000	6	30
	7	30
	8	27
27241-120000	1	9
		26
	2	9
27241-220000	6	11
	7	12
	8	12
27241-300000	1	10
		27
	2	10
27241-400000	6	12
	7	13
	8	13
27310-070001	6	17 -1
27310-080001	7	18 -1
	8	18 -1
28110-100120	24	35
28110-140170	24	36
28110-190220	24	37
28210-000140	24	38
43400-500390	21	76
43400-500410	3	20
		21
	14	70
43400-500430	21	68
43400-500450	21	69
		84
43400-500490	17	85
	18	84
711100-51540	17	16
	18	13
719800-11700	6	1
719810-01560	1	1
719810-02800	1	12
719810-02930	1	15
719810-11650	6	24
719810-21700	13	1
719810-22500	13	28
719810-22910	13	42
719810-22960	13	44
719810-23100	13	54

Parts No.	Fig. No.	Ref. No.
719810-51400	17	1
719810-53100	19	1
719888-92602	24	1
729100-53100	19	2
729102-21700	13	2
729102-51400	17	2
729120-22500	13	34
729120-22950	13	50
729151-01560	1	2
729188-92602	24	2
729400-21700	13	3
729402-01560	2	1
729402-11650	7	31
	8	31
729402-11700	8	1
729402-22910	13	48
729402-23100	13	55
729402-51400	18	1
729488-92602	24	3
771364-11700	7	1
933110-00100	23	38
933110-00301	23	40
X211414501	22	27
X211415502	22	5
X211415505	22	14
X211425502	22	6
X211425505	22	17
X21142867	22	26
X211429006	22	16
X211429007	22	11
X21143315	22	9
X211435502	22	18
X211445502	22	19
X211447007	22	22
X211448004	22	24
X211451007	22	4
X21145866	22	25
X211459002	22	12
X21146012	22	21
X211468005	22	23
X211472106	22	7
X211476504	22	20
X21148215	22	8
X211483003	22	10
X21148314	22	13
X211495009	22	15
XM08137	23	2
XM08138	23	3
XM08180	23	4
XM17878	23	6

Parts No.	Fig. No.	Ref. No.
XM27436	23	5
		15
XM36410	23	7
XM37336	23	14
XM72174	23	12
XM72664	23	13
XM82110	23	11
XM82184	23	10
XYSPS4008	23	9

Parts No.	Fig. No.	Ref. No.
-----------	----------	----------