

OCD10-M40102EN

PREFACE

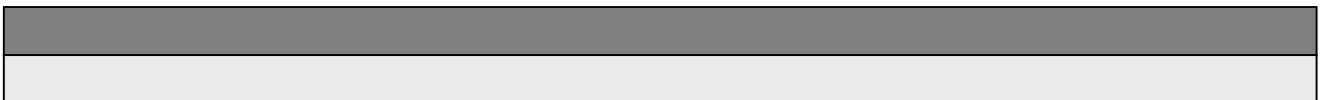
1. This Parts Catalog is the 1st edition of 3TN66L-UGHCH Diesel Engine .

Pub. No. : 000Y00D4012

Published : May,1991

2. Model name

| Engine model | Vehicle | | Vehicle made by |
|--------------|-----------|------------|-----------------|
| | Products | Model name | |
| 3TN66L-UGHCH | GENERATOR | — | — |



Directions for the Parts Catalog.

1. This Parts Catalog shows both standard and optional parts.
2. Parts may change without prior notice.
3. The following is an example of the Parts Catalog format.

| REF. | LEV. | PARTS NO. | DESCRIPTION | Q'TY | | | | | | I | R |
|------|------|--|---------------------|------|-----|-----|-----|-----|-----|---|---|
| | | | | (A) | (B) | (C) | (D) | (E) | (F) | | |
| 1 | 1 | 729595-51390 | FUEL INJECTION PUMP | 1 | 1 | 1 | 1 | 1 | | | 1 |
| 1-1 | 1 | 729595-51391 | FUEL INJECTION PUMP | 1 | 1 | 1 | 1 | 1 | | N | 1 |
| | | (A=E00185) (B=E00200) | | | | | | | | | |
| 3 | 2 | 26022-060162 | SCREW M 6X 16 | 9 | 9 | 9 | 9 | 9 | | | |
| 3-1 | 2 | 26022-060162 | SCREW M 6X 16 | 4 | 4 | 4 | 4 | 4 | | K | |
| | | (A=E00156) (B=E00156) (C=E00156) (D=E00156) (E=E00156) | | | | | | | | | |
| 4 | 2 | 129470-51040 | CAMSHAFT | 1 | 1 | 1 | 1 | 1 | | | |
| 5 | 2 | 122710-51050 | BEARING, ROLLER | 2 | 2 | 2 | 2 | 2 | | | |
| 6 | 2 | 129470-51060 | RETAINER | 1 | 1 | 1 | 1 | 1 | | | |

| |
|---|
| Remarks |
| (1) BOOST COMPEMSATOR TYPE. OPTIONAL PART, TO E00155,(4JH-DT, 4JH-DTZ |

① Ref. No.

The Ref. No. listed may not be in accordance with the illustration Ref. No.

(Ex.) Illustration No.

List Ref No.

1

1

(Before change)

1-1

(After change)

For interchangeable symbols N, R and K, illustrations for new parts may be abbreviated.

② Lev. (Level)

Level indication

The numbers below indicate the level of relativity towards the main part.

1 ----- Main parts (Assembly parts)

2 ----- Sub component included in " 1 ".

3 ----- Sub component included in " 2 ".

Note) Parts that are not for sale are partially illustrated but not listed.

③ Interchangeability Symbol

When a part change takes place, one of the following interchangeability symbols is indicated beside the part.

| Symbol | Interchangeability | Contents note |
|--------|---|--|
| N | Old $\begin{matrix} \leftarrow \text{Yes} \\ \text{No} \rightarrow \end{matrix}$ New | New Part is interchangeable for Old Part but Old Part is not interchangeable for New Part. |
| Q | Old $\begin{matrix} \leftarrow \text{No} \\ \text{Yes} \rightarrow \end{matrix}$ New | New Part is not interchangeable for Old Part but Old Part is interchangeable for New Part. |
| R | Old $\begin{matrix} \leftarrow \text{Yes} \\ \text{Yes} \rightarrow \end{matrix}$ New | New/ Old Parts are both interchangeable. |
| S | Old $\begin{matrix} \leftarrow \text{No} \\ \text{No} \rightarrow \end{matrix}$ New | New/ Old Parts are both not interchangeable. |
| W | | Part newly added. |
| Z | | Part discontinued. |
| F | | Not interchangeable by a single part but interchangeable together with related parts. |
| K | | Changes only for used parts quantities. |

④ Effective Machine No.

When a part changes, the effective Machine No. will be indicated in the (A)-(F) column.

| Product Symbol | Product No. | Product Symbol | Product No. |
|----------------|---------------------------|----------------|-----------------------------------|
| C | Clutch No. Compressor No. | F | Machine No. (Agricultural Equip.) |
| D | Drive No. | M | Machine No. |
| E | Engine No. | | |

Note 1) A date may follow the symbol. (Ex.) 1996.01

Note 2) "XXXXX" and "ZZZZZ" are for parts that could not be predicted or for engine models that could not be identified.

Note 3) (A=E00185) is the E (Engine Serial Number) for the column (A) model (in this case 4JH-DT) after the parts design change.

⑤ Remarks

Figures or alphabets (symbols) are entered in the remarks column.

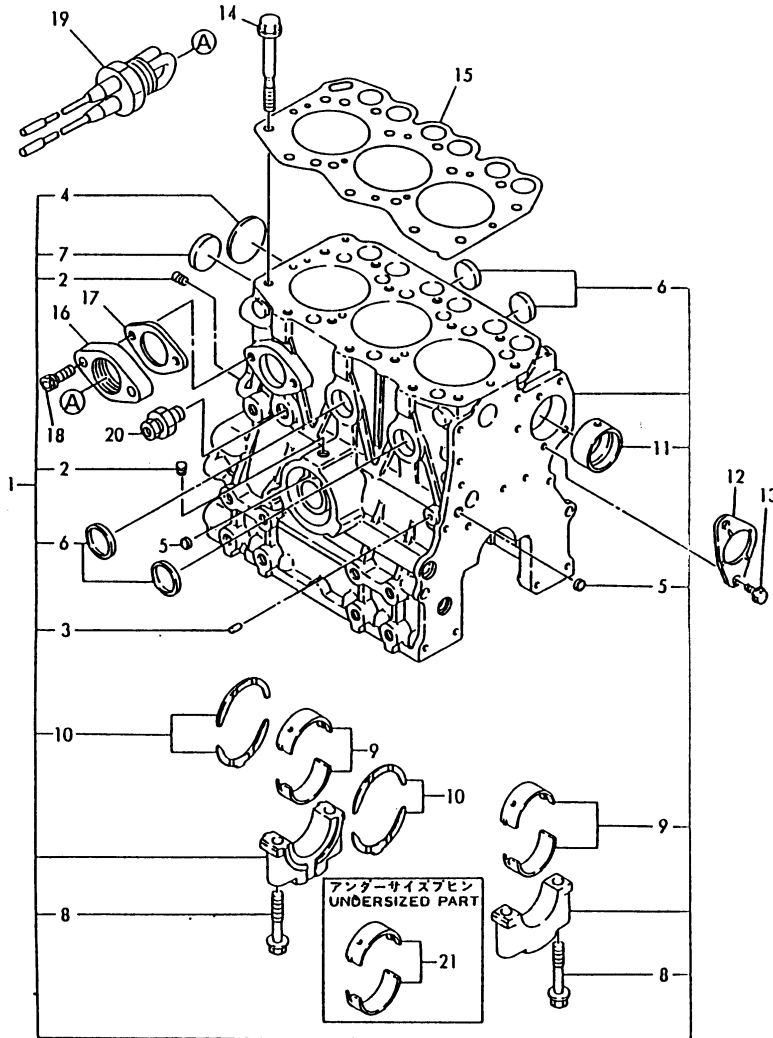
The comments (remarks) on parts that are indicated at the bottom of the illustration are the same symbols as those stated above.

Contents

| Fig. No. | Fig. Name | Fig. No. | Fig. Name |
|---------------------|--------------------------------|----------|-----------|
| ENGINE 3TN66L-UGHCH | | | |
| 1. | CYLINDER BLOCK | | |
| 2. | GAER HOUSING | | |
| 3. | FLYWHEEL HOUSING | | |
| 4. | LUB. OIL SUMP | | |
| 5. | BONNET | | |
| 6. | CYLINDER HEAD | | |
| 7. | AIR CLEANER | | |
| 8. | SUCTION & EXHAUST MANIFOLD | | |
| 9. | CAMSHAFT & IDLE GEAR | | |
| 10. | CRANKSHAFT & FLYWHEEL | | |
| 11. | PISTON & CONNECTING ROD | | |
| 12. | LUB. OIL SYSTEM | | |
| 13. | COOLING WATER SYSTEM | | |
| 14. | FUEL INJECTION DEVICE | | |
| 15. | FUEL SYSTEM | | |
| 16. | GOVERNOR | | |
| 17. | ENGINE STOP | | |
| 18. | STARTING MOTOR(COMPONENT PARTS | | |
| 19. | ELECTRIC PARTS | | |
| 20. | TOOL | | |
| 21. | GASKET SET | | |

Fig.1. CYLINDER BLOCK

019248-01100
 019260-02100
 019260-02210
 019600-49300



(A)=3TN66L-UGHCH

(B)=

(C)=

(D)=

(E)=

(F)=

| No. | Lev. | Parts No. | Description | Q'ty | | | | | | I | R |
|---------------|------|--------------|-----------------------|------|-----|-----|-----|-----|-----|---|---|
| | | | | (A) | (B) | (C) | (D) | (E) | (F) | | |
| 1 | 1 | 719248-01560 | BLOCK ASSY, CYLINDER | 1 | | | | | | | |
| 2 | 2 | 124060-01050 | PLUG, PT1/8 | 2 | | | | | | | |
| 3 | 2 | 27221-060100 | PLUG, 6X10 | 1 | | | | | | | |
| 4 | 2 | 27231-400000 | PLUG 40 | 1 | | | | | | | |
| 5 | 2 | 27241-100000 | PLUG, 10 | 2 | | | | | | | |
| 6 | 2 | 27241-250000 | PLUG, 25 | 4 | | | | | | | |
| 7 | 2 | 27241-300000 | PLUG 30 | 1 | | | | | | | |
| 8 | 2 | 119260-02020 | BOLT, METAL CAP | 8 | | | | | | | |
| 9 | 2 | 119260-02800 | BEARING, MAIN | 4 | | | | | | | |
| 10 | 2 | 119260-02930 | BEARING, THRUST | 2 | | | | | | | |
| 11 | 2 | 119260-02410 | BUSH, CAMSHAFT | 1 | | | | | | | |
| 12 | 1 | 119620-02450 | BEARING, THRUST | 1 | | | | | | | Z |
| (A=EXXX) | | | | | | | | | | | |
| 13 | 1 | 26106-060122 | BOLT, M6X 12 PLATED | 2 | | | | | | | |
| 14 | 1 | 119260-01200 | BOLT, HEAD | 14 | | | | | | | |
| 15 | 1 | 119255-01340 | GASKET, HEAD | 1 | | | | | | | |
| 16 | 1 | 119621-11950 | BRACKET | 1 | | | | | | | |
| 17 | 1 | 119621-11960 | GASKET | 1 | | | | | | | |
| 18 | 1 | 26450-080182 | BOLT, M8X 18 | 2 | | | | | | | |
| 19 | 1 | 46150-504600 | HEATER | 1 | | | | | | | |
| 19-1 | 1 | 124097-77900 | HEATER, COOLING WATER | 1 | | | | | | | N |
| (A=*2001.09.) | | | | | | | | | | | |
| 20 | 1 | 121550-49111 | JOINT, PT1/4 | 1 | | | | | | | |
| 21 | 1 | 719260-02870 | BEARING, 0.25 US | 1 | | | | | | | 1 |

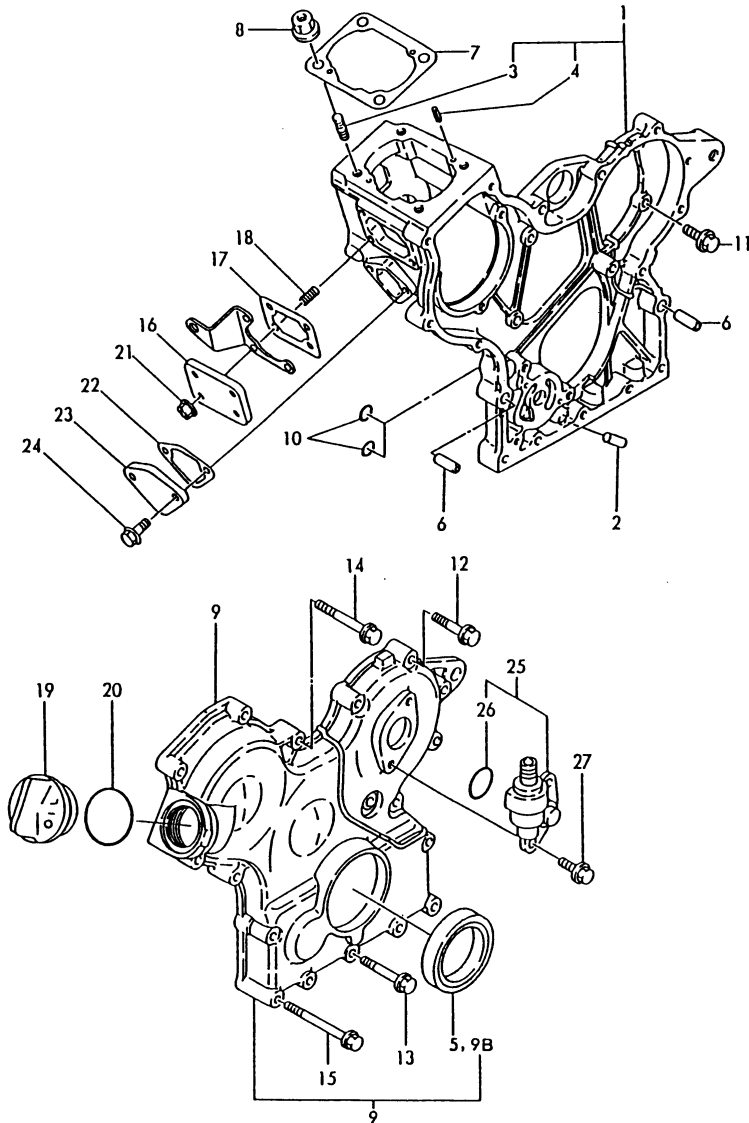
Remarks

(1) UNDER-SIZE(U.S=0.25)PART.

N:Old $\xrightarrow{\text{Yes}}$ New, Q:Old $\xrightarrow{\text{No}}$ New, R:Old $\xrightarrow{\text{Yes}}$ New, S:Old $\xrightarrow{\text{No}}$ New, W:Add, Z:Discontinued, F:Interchangeable by set, K:Q'ty Change

Fig.2. GAER HOUSING

019260-01200
 019600-01320
 719248-51300
 029150-91100



(A)=3TN66L-UGHCH

(B)=

(C)=

(D)=

(E)=

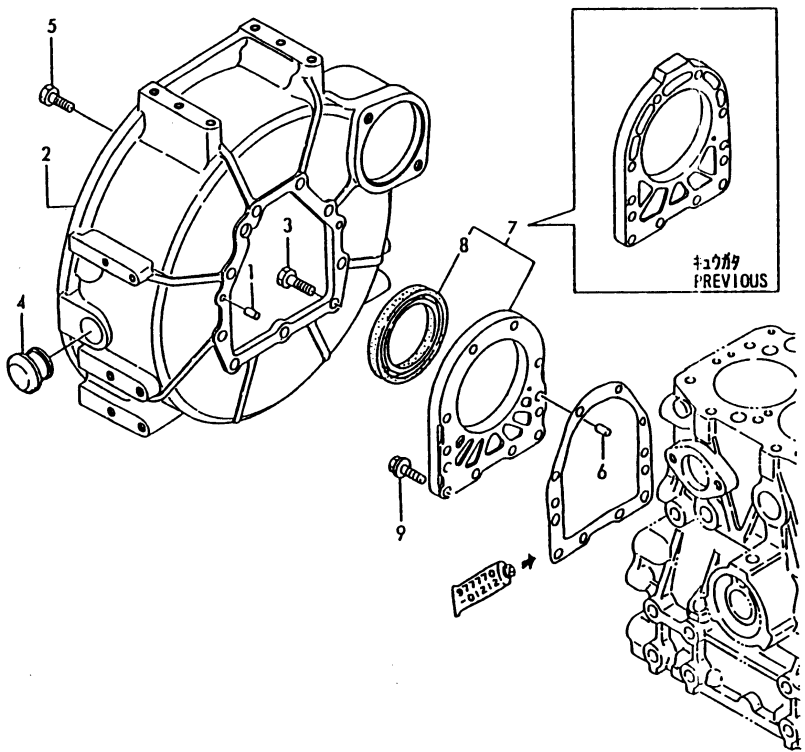
(F)=

| No. | Lev. | Parts No. | Description | Q'ty | | | | | | I | R |
|------------|------|--------------|----------------------|------|-----|-----|-----|-----|-----|---|---|
| | | | | (A) | (B) | (C) | (D) | (E) | (F) | | |
| 1 | 1 | 119260-01490 | CASE ASSY, GEAR | 1 | | | | | | | |
| 2 | 2 | 119260-01510 | PLUG | 1 | | | | | | | |
| 3 | 2 | 121450-01560 | STUD, M8X22 | 4 | | | | | | | |
| 4 | 2 | 22351-040010 | PIN, SPRING 4.0X10 | 2 | | | | | | | |
| 5 | 1 | 119620-01800 | SEAL, OIL | 1 | | | | | | | Z |
| (A=E24398) | | | | | | | | | | | |
| 6 | 1 | 119660-01911 | PIPE, KNOCK | 4 | | | | | | | |
| 7 | 1 | 119620-01950 | SHIM SET, ADJUSTING | 1 | | | | | | | |
| 8 | 1 | 194990-22050 | NUT, M8 | 4 | | | | | | | |
| 9 | 1 | 119260-01590 | COVER ASSY,GEAR CASE | 1 | | | | | | | W |
| (A=E24398) | | | | | | | | | | | |
| 9B | 2 | 119620-01800 | SEAL, OIL | 1 | | | | | | | W |
| (A=E24398) | | | | | | | | | | | |
| 10 | 1 | 24311-000120 | O-RING, 1AP12.0 | 2 | | | | | | | |
| 11 | 1 | 26106-060162 | BOLT, M6X 16 PLATED | 5 | | | | | | | |
| 12 | 1 | 26106-060302 | BOLT, M6X 30 PLATED | 5 | | | | | | | |
| 13 | 1 | 26106-060402 | BOLT, M6X 40 PLATED | 3 | | | | | | | |
| 14 | 1 | 26106-060502 | BOLT, M6X 50 PLATED | 4 | | | | | | | |
| 15 | 1 | 26106-060652 | BOLT, M6X 65 PLATED | 6 | | | | | | | |
| 16 | 1 | 119660-01551 | COVER | 1 | | | | | | | |
| 17 | 1 | 119660-01561 | GASKET | 1 | | | | | | | |
| 17-1 | 1 | 119660-01562 | GASKET | 1 | | | | | | | N |
| (A=EXXX) | | | | | | | | | | | |
| 18 | 1 | 119660-01570 | STUD, M6X12 | 4 | | | | | | | |
| 19 | 1 | 124160-01751 | COVER, FILLER | 1 | | | | | | | |
| 20 | 1 | 121420-01760 | O-RING | 1 | | | | | | | |
| 20-1 | 1 | 24311-000320 | O-RING, 1AP32.0 | 1 | | | | | | | N |
| (A=E15870) | | | | | | | | | | | |
| 21 | 1 | 26366-060002 | NUT, M6 | 4 | | | | | | | |
| 22 | 1 | 121520-01850 | GASKET | 1 | | | | | | | |
| 22-1 | 1 | 121520-01851 | GASKET | 1 | | | | | | | N |
| (A=EXXX) | | | | | | | | | | | |
| 23 | 1 | 121520-01860 | COVER | 1 | | | | | | | |
| 24 | 1 | 26106-060162 | BOLT, M6X 16 PLATED | 2 | | | | | | | |
| 25 | 1 | 129150-91400 | GEAR | 1 | | | | | | | |
| 26 | 2 | 24341-000240 | O-RING, 1AS24.0 | 1 | | | | | | | |
| 27 | 1 | 26106-060162 | BOLT, M6X 16 PLATED | 2 | | | | | | | |

Fig.3. FLYWHEEL HOUSING

019600-01400
019600-01500

(A)=3TN66L-UGHCH
(B)=
(C)=
(D)=
(E)=
(F)=



| No. | Lev. | Parts No. | Description | Q'ty | | | | | | I | R |
|-----|------|--------------|----------------------|------|-----|-----|-----|-----|-----|---|---|
| | | | | (A) | (B) | (C) | (D) | (E) | (F) | | |
| 1 | 1 | 129100-01580 | PIN, M8X16 | 2 | | | | | | | |
| 2 | 1 | 119600-01600 | HOUSING, FLYWHEEL | 1 | | | | | | | |
| 3 | 1 | 121120-01620 | BOLT, M10X28 | 3 | | | | | | | |
| 4 | 1 | 119620-01750 | CAP | 1 | | | | | | | |
| 5 | 1 | 26206-100252 | BOLT, M10X 25 PLATED | 6 | | | | | | | |
| 6 | 1 | 119620-01620 | PIN, M6X10 | 2 | | | | | | | |
| 7 | 1 | 119660-01640 | CASE ASSY, OIL SEAL | 1 | | | | | | | W |
| | | (A=E24398) | | | | | | | | | |
| 8 | 2 | 124085-02220 | SEAL, OIL | 1 | | | | | | | |
| 9 | 1 | 26106-060222 | BOLT, M6X 22 PLATED | 10 | | | | | | | |

Fig.4. LUB. OIL SUMP

(A)=3TN66L-UGHCH

(B)=

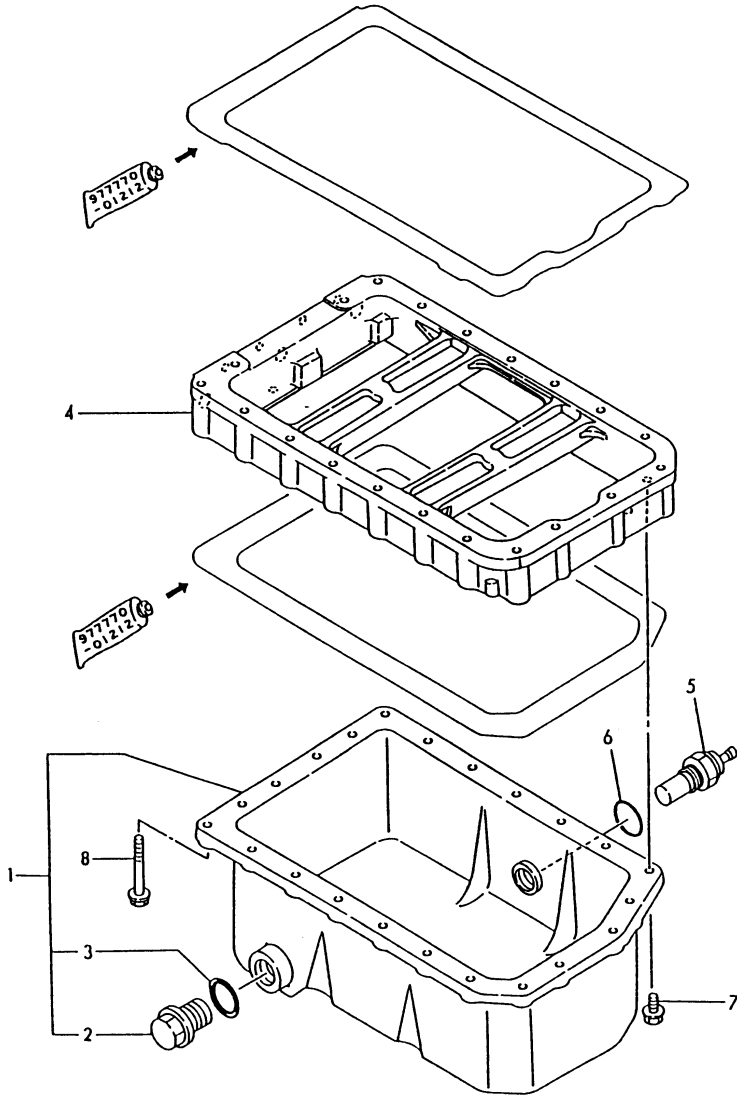
(C)=

(D)=

(E)=

(F)=

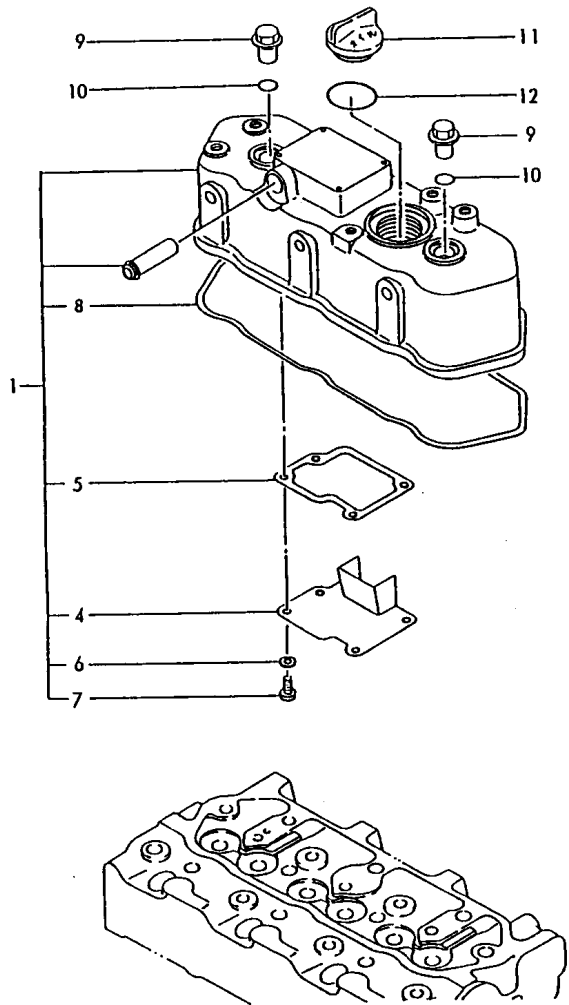
019248-01700



| No. | Lev. | Parts No. | Description | Q'ty | | | | | | I | R |
|----------|------|--------------|---------------------|------|-----|-----|-----|-----|-----|---|---|
| | | | | (A) | (B) | (C) | (D) | (E) | (F) | | |
| 1 | 1 | 719248-01540 | SUMP ASSY, OIL | 1 | | | | | | | |
| 1-1 | 1 | 119248-01770 | SUMP ASSY, OIL | 1 | | | | | | | N |
| (A=EXXX) | | | | | | | | | | | |
| 2 | 2 | 121400-01640 | PLUG, 16 | 1 | | | | | | | |
| 3 | 2 | 124465-44950 | GASKET, 16 | 1 | | | | | | | |
| 4 | 1 | 119454-01721 | SPACER, OIL SUMP | 1 | | | | | | | |
| 5 | 1 | 121470-44900 | SENSOR | 1 | | | | | | | |
| 6 | 1 | 24311-000180 | O-RING, 1AP18.0 | 1 | | | | | | | |
| 7 | 1 | 26106-060102 | BOLT, M6X 10 PLATED | 3 | | | | | | | |
| 8 | 1 | 26106-060452 | BOLT, M6X 45 PLATED | 20 | | | | | | | |

Fig.5. BONNET

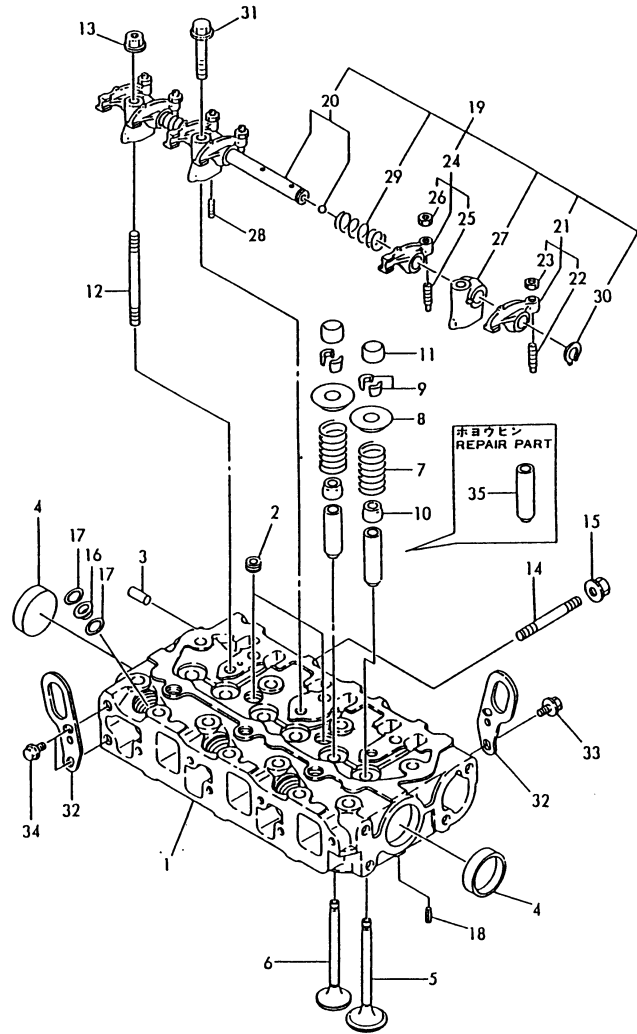
019260-11330



| No. | Lev. | Parts No. | Description | Q'ty | | | | | | I | R |
|------------|------|--------------|-------------------|------|-----|-----|-----|-----|-----|---|---|
| | | | | (A) | (B) | (C) | (D) | (E) | (F) | | |
| 1 | 1 | 719260-11520 | BONNET ASSY, HEAD | 1 | | | | | | | |
| 1-1 | 1 | 119260-11330 | BONNET ASSY, HEAD | 1 | | | | | | | N |
| (A=E24398) | | | | | | | | | | | |
| 3 | 2 | 121420-01760 | O-RING | 1 | | | | | | | |
| 4 | 2 | 119260-03020 | PLATE, SHELTER | 1 | | | | | | | |
| 5 | 2 | 119260-03030 | GASKET | 1 | | | | | | | |
| 5-1 | 2 | 119260-03031 | GASKET | 1 | | | | | | | N |
| (A=E24788) | | | | | | | | | | | |
| 6 | 2 | 22217-050000 | WASHER, SPRING 5 | 4 | | | | | | | |
| 7 | 2 | 26557-050102 | SCREW, M5X10 | 4 | | | | | | | |
| 8 | 2 | 119260-11310 | GASKET, BONNET | 1 | | | | | | | |
| 9 | 1 | 124160-11360 | KNOB | 2 | | | | | | | |
| 10 | 1 | 24311-000120 | O-RING, 1AP12.0 | 2 | | | | | | | |
| 11 | 1 | 124160-01751 | COVER, FILLER | 1 | | | | | | | |
| 12 | 1 | 24311-000320 | O-RING, 1AP32.0 | 1 | | | | | | | |

Fig.6. CYLINDER HEAD

019600-07300
 019260-11100
 019260-11200
 019248-13100



(A)=3TN66L-UGHCH

(B)=

(C)=

(D)=

(E)=

(F)=

| No. | Lev. | Parts No. | Description | Q'ty | | | | | | I | R |
|--------------|------|--------------|---------------------|------|-----|-----|-----|-----|-----|---|---|
| | | | | (A) | (B) | (C) | (D) | (E) | (F) | | |
| 1 | 1 | 719260-11700 | HEAD ASSY, CYLINDER | 1 | | | | | | | |
| 2 | 2 | 121850-11860 | PLUG, PT1/4 | 2 | | | | | | | |
| 2-1 | 2 | 23871-020000 | PLUG, R02 | 2 | | | | | | | N |
| (A=*1991.01) | | | | | | | | | | | |
| 3 | 2 | 27221-050080 | PLUG, 5X 8 | 1 | | | | | | | |
| 4 | 2 | 27241-350000 | PLUG, 35 | 2 | | | | | | | |
| 5 | 2 | 119260-11100 | VALVE, INTAKE | 3 | | | | | | | |
| 6 | 2 | 119260-11110 | VALVE, EXHAUST | 3 | | | | | | | |
| 7 | 2 | 114250-11120 | SPRING, VALVE | 6 | | | | | | | |
| 8 | 2 | 114250-11180 | RETAINER, SPRING | 6 | | | | | | | |
| 9 | 2 | 114250-11190 | COTTER | 12 | | | | | | | |
| 9-1 | 2 | 27310-055001 | COTTER, 5.5 | 6 | | | | | | | N |
| (A=EXXXXX) | | | | | | | | | | | |
| 10 | 2 | 119260-11340 | SEAL, VALVE STEM | 6 | | | | | | | |
| 11 | 2 | 119260-11370 | CAP, VALVE | 6 | | | | | | | |
| 12 | 2 | 119620-11350 | STUD | 2 | | | | | | | |
| 13 | 2 | 26366-080002 | NUT, M8 | 2 | | | | | | | |
| 14 | 2 | 26216-060402 | STUD, M6X 40 | 2 | | | | | | | |
| 15 | 2 | 26366-060002 | NUT, M6 | 2 | | | | | | | |
| 16 | 1 | 119600-11450 | PROTECTOR, NOZZLE | 3 | | | | | | | |
| 17 | 1 | 119600-11460 | GASKET, NOZZLE | 6 | | | | | | | |
| 18 | 1 | 22351-060012 | PIN, SPRING 6.0X12 | 2 | | | | | | | |
| 19 | 1 | 119260-11200 | SUPPORT ASSY, ARM | 1 | | | | | | | |
| 20 | 2 | 119260-11240 | SHAFT ASSY, ROCKER | 1 | | | | | | | |
| 21 | 2 | 719260-11650 | ARM ASSY, ROCKER | 3 | | | | | | | |
| 22 | 3 | 105010-11230 | SCREW, VALVE ADJUST | 3 | | | | | | | |
| 23 | 3 | 26756-060002 | NUT, LOCK M6 | 3 | | | | | | | |
| 24 | 2 | 719260-11660 | ARM ASSY, ROCKER | 3 | | | | | | | |
| 25 | 3 | 105010-11230 | SCREW, VALVE ADJUST | 3 | | | | | | | |
| 26 | 3 | 26756-060002 | NUT, LOCK M6 | 3 | | | | | | | |
| 27 | 2 | 119260-11260 | SUPPORT, ROCKER ARM | 3 | | | | | | | |
| 28 | 2 | 119260-11270 | SCREW | 1 | | | | | | | |
| 29 | 2 | 119260-11280 | SPRING | 2 | | | | | | | |
| 30 | 2 | 22242-000100 | RING, 10 | 2 | | | | | | | |
| 31 | 1 | 26106-080452 | BOLT, M8X 45 PLATED | 1 | | | | | | | |
| 32 | 1 | 119260-07900 | LIFTER | 2 | | | | | | | |
| 33 | 1 | 26106-080142 | BOLT, M8X 14 PLATED | 1 | | | | | | | |
| 34 | 1 | 26106-080142 | BOLT, M8X 14 PLATED | 2 | | | | | | | |
| 35 | 1 | 119260-11800 | GUIDE, VALVE | 6 | | | | | | | 1 |

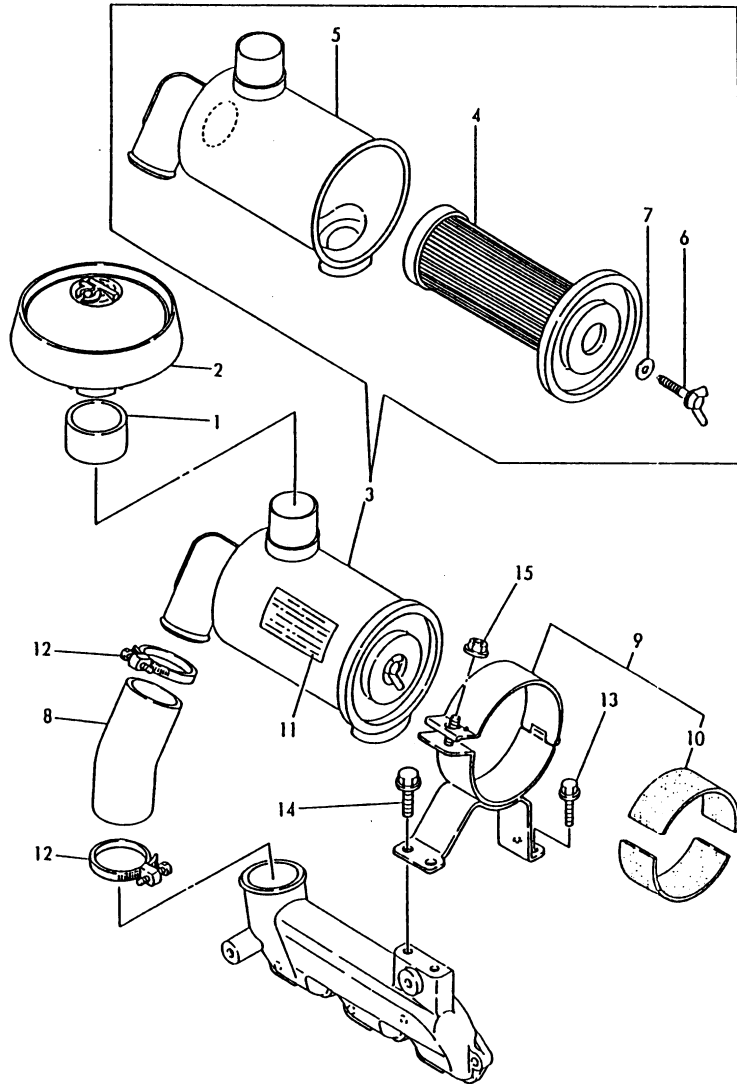
Remarks

(1) REPAIR PART.

N:Old $\begin{matrix} \leftarrow \text{Yes} \\ \text{No} \end{matrix}$ New, Q:Old $\begin{matrix} \leftarrow \text{No} \\ \text{Yes} \end{matrix}$ New, R:Old $\begin{matrix} \leftarrow \text{Yes} \\ \text{Yes} \end{matrix}$ New, S:Old $\begin{matrix} \leftarrow \text{No} \\ \text{No} \end{matrix}$ New, W:Add, Z:Discontinued, F:Interchangeable by set, K:Q'ty Change

Fig.7. AIR CLEANER

019288-12100



(A)=3TN66L-UGHCH

(B)=

(C)=

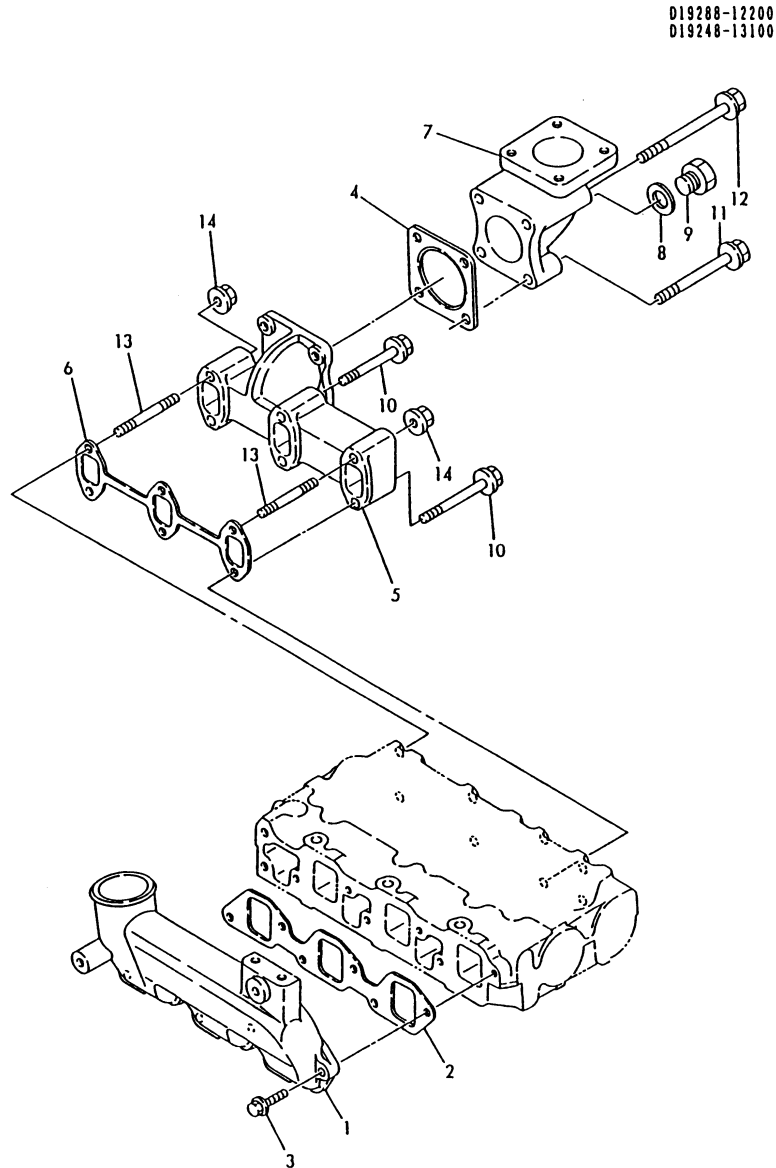
(D)=

(E)=

(F)=

| No. | Lev. | Parts No. | Description | Q'ty | | | | | | I | R |
|------------|------|--------------|----------------------|------|-----|-----|-----|-----|-----|---|---|
| | | | | (A) | (B) | (C) | (D) | (E) | (F) | | |
| 1 | 1 | 119288-12050 | JOINT, PIPE | 1 | | | | | | | |
| 2 | 1 | 121521-12400 | CAP, RAIN | 1 | | | | | | | |
| 3 | 1 | 119688-12500 | CLEANER ASSY, AIR | 1 | | | | | | | |
| 4 | 2 | 119860-12510 | ELEMENT | 1 | | | | | | | |
| 5 | 2 | 119688-12540 | CASE ASSY, CLEANER | 1 | | | | | | | |
| 6 | 2 | 119860-12550 | BOLT | 1 | | | | | | | |
| 7 | 2 | 119860-12560 | WASHER, SEAL | 1 | | | | | | | |
| 8 | 1 | 119654-12550 | PIPE, AIR INTAKE | 1 | | | | | | | |
| 8-1 | 1 | 119462-12550 | PIPE, AIR INTAKE | 1 | | | | | | | N |
| (A=E17328) | | | | | | | | | | | |
| 9 | 1 | 119288-12590 | SUPPORT ASSY,CLEANER | 1 | | | | | | | |
| 10 | 2 | 119640-12580 | SEAT, RUBBER | 2 | | | | | | | |
| 11 | 1 | 124764-12600 | LABEL, AIR CLEANER | 1 | | | | | | | |
| 11-1 | 1 | 119136-12600 | LABEL, AIR CLEANER | 1 | | | | | | | N |
| (A=E23927) | | | | | | | | | | | |
| 12 | 1 | 23000-060000 | CLAMP, 60 | 2 | | | | | | | |
| 13 | 1 | 26106-060122 | BOLT, M6X 12 PLATED | 2 | | | | | | | |
| 14 | 1 | 26106-080162 | BOLT, M8X 16 PLATED | 2 | | | | | | | |
| 15 | 1 | 26366-060002 | NUT, M6 | 1 | | | | | | | |

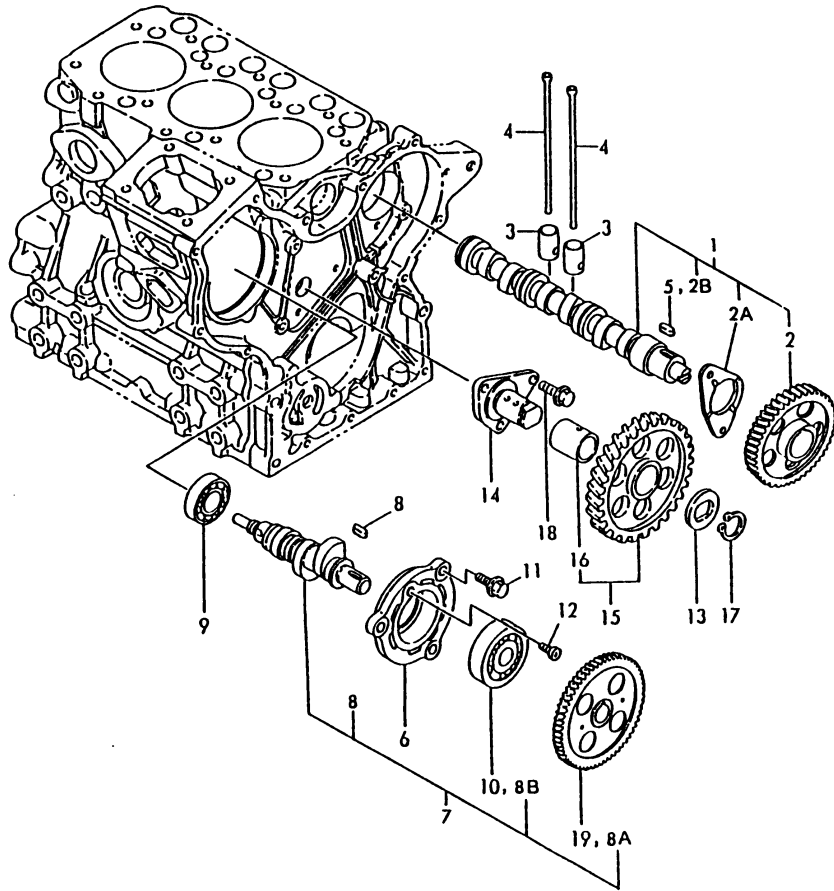
Fig.8. SUCTION & EXHAUST MANIFOLD



| No. | Lev. | Parts No. | Description | Q'ty | | | | | | I | R |
|------------|------|--------------|----------------------|------|-----|-----|-----|-----|-----|---|---|
| | | | | (A) | (B) | (C) | (D) | (E) | (F) | | |
| 1 | 1 | 119288-12100 | MANIFOLD, AIR INTAKE | 1 | | | | | | | |
| 2 | 1 | 119260-12110 | GASKET, MANIFOLD | 1 | | | | | | | |
| 2-1 | 1 | 119260-12111 | GASKET, MANIFOLD | 1 | | | | | | | N |
| (A=E24788) | | | | | | | | | | | |
| 3 | 1 | 26106-060202 | BOLT, M6X 20 PLATED | 4 | | | | | | | |
| 4 | 1 | 124450-11900 | GASKET | 1 | | | | | | | |
| 5 | 1 | 119260-13100 | MANIFOLD, EXHAUST | 1 | | | | | | | |
| 6 | 1 | 119260-13110 | GASKET | 1 | | | | | | | |
| 7 | 1 | 171083-13300 | BEND, EXHAUST 50A | 1 | | | | | | | |
| 8 | 1 | 23414-170000 | GASKET, 17X1.0 | 1 | | | | | | | |
| 9 | 1 | 23894-030002 | PLUG, G3/8 | 1 | | | | | | | |
| 10 | 1 | 26106-060352 | BOLT, M6X 35 PLATED | 4 | | | | | | | |
| 11 | 1 | 26106-080452 | BOLT, M8X 45 PLATED | 2 | | | | | | | |
| 12 | 1 | 26106-080952 | BOLT, M8X 95 PLATED | 2 | | | | | | | |
| 13 | 1 | 26216-060402 | STUD, M6X 40 | 2 | | | | | | | |
| 14 | 1 | 26366-060002 | NUT, M6 | 2 | | | | | | | |

Fig.9. CAMSHAFT & IDLE GEAR

019260-14110
019260-25100
719248-51300



(A)=3TN66L-UGHCH

(B)=

(C)=

(D)=

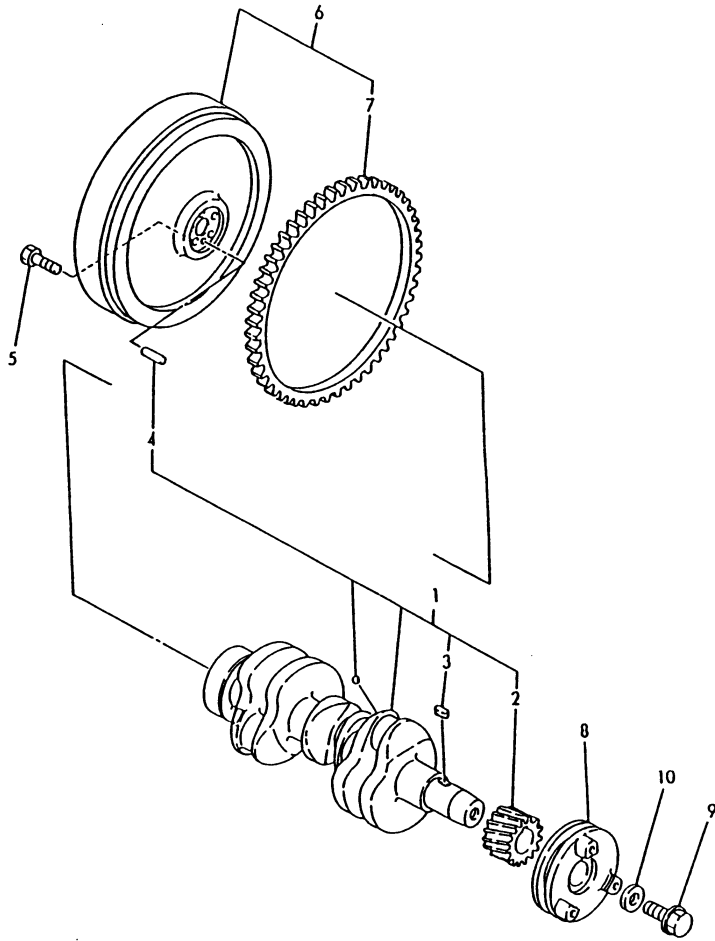
(E)=

(F)=

| No. | Lev. | Parts No. | Description | Q'ty | | | | | | I | R |
|-----|------|--------------------------|---------------------|------|-----|-----|-----|-----|-----|---|---|
| | | | | (A) | (B) | (C) | (D) | (E) | (F) | | |
| 1 | 1 | 119260-14580 (A=EXXX) | CAMSHAFT ASSY | 1 | | | | | | | W |
| 2 | 2 | 119260-14100 | GEAR, CAMSHAFT | 1 | | | | | | | |
| 2A | 2 | 119620-02450 (A=EXXX) | BEARING, THRUST | 1 | | | | | | | W |
| 2B | 2 | 22512-040120 (A=EXXX) | KEY, 4X 12 | 1 | | | | | | | W |
| 3 | 1 | 119260-14200 | TAPPET | 6 | | | | | | | |
| 4 | 1 | 119260-14400 | ROD, PUSH | 6 | | | | | | | |
| 5 | 1 | 22512-040120 (A=EXXX) | KEY, 4X 12 | 1 | | | | | | | Z |
| 6 | 1 | 119660-01821 | BEARING, FUEL CAM | 1 | | | | | | | |
| 7 | 1 | 119225-14200 (A=EXXX) | CAM ASSY | 1 | | | | | | | W |
| 8 | 2 | 22512-040120 | KEY, 4X 12 | 1 | | | | | | | |
| 8A | 2 | 119260-25900 (A=EXXX) | GEAR, PUMP | 1 | | | | | | | W |
| 8B | 2 | 24102-063034 (A=EXXX) | BEARING, BALL 6303U | 1 | | | | | | | W |
| 9 | 1 | 24101-062034 | BEARING, BALL 6203 | 1 | | | | | | | |
| 10 | 1 | 24102-063034 (A=EXXX) | BEARING, BALL 6303U | 1 | | | | | | | Z |
| 11 | 1 | 26106-060162 | BOLT, M6X 16 PLATED | 3 | | | | | | | |
| 12 | 1 | 26587-080102 | SCREW, M8X10 | 1 | | | | | | | |
| 13 | 1 | 119660-25022 | RETAINER | 1 | | | | | | | |
| 14 | 1 | 119660-25052 | SHAFT, IDLE | 1 | | | | | | | |
| 15 | 1 | 119260-25100 | GEAR ASSY, IDLE | 1 | | | | | | | |
| 16 | 2 | 119620-25062 | BUSH, IDLE GEAR | 1 | | | | | | | |
| 17 | 1 | 22242-000200 | RING, 20 | 1 | | | | | | | |
| 18 | 1 | 26106-060122 | BOLT, M6X 12 PLATED | 3 | | | | | | | |
| 19 | 1 | 119260-25900 (A=EXXX) | GEAR, PUMP | 1 | | | | | | | Z |

Fig.10. CRANKSHAFT & FLYWHEEL

019260-21100
 019260-21300
 019600-21210

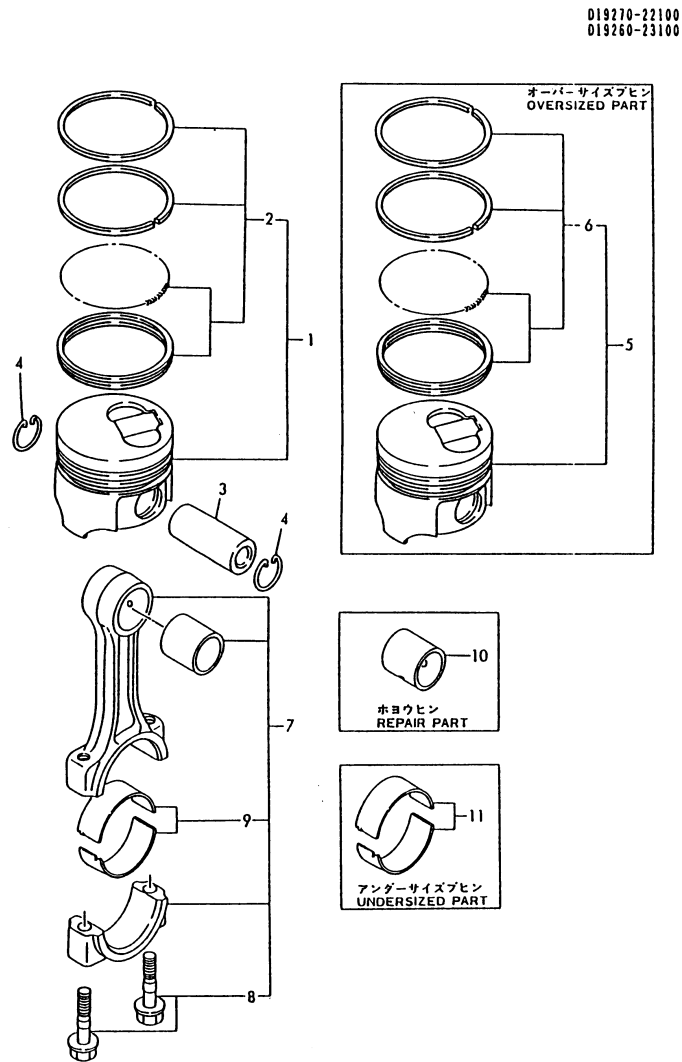


(A)=3TN66L-UGHCH
 (B)=
 (C)=

(D)=
 (E)=
 (F)=

| No. | Lev. | Parts No. | Description | Q'ty | | | | | | I | R |
|-----|------|--------------|----------------------|------|-----|-----|-----|-----|-----|---|---|
| | | | | (A) | (B) | (C) | (D) | (E) | (F) | | |
| 1 | 1 | 719260-21700 | CRANKSHAFT ASSY | 1 | | | | | | | |
| 2 | 2 | 119260-21200 | GEAR, CRANKSHAFT | 1 | | | | | | | |
| 3 | 2 | 22512-040120 | KEY, 4X 12 | 1 | | | | | | | |
| 4 | 2 | 129100-01580 | PIN, M8X16 | 1 | | | | | | | |
| 5 | 1 | 121111-21501 | BOLT, FLYWHEEL | 5 | | | | | | | |
| 6 | 1 | 119600-21580 | FLYWHEEL ASSY | 1 | | | | | | | |
| 7 | 2 | 119865-21600 | GEAR, RING | 1 | | | | | | | |
| 8 | 1 | 119260-21650 | V-PULLEY | 1 | | | | | | | |
| 9 | 1 | 119621-21680 | BOLT, FLANGE 12X1.25 | 1 | | | | | | | |
| 10 | 1 | 119620-21941 | WASHER | 1 | | | | | | | |

Fig.11. PISTON & CONNECTING ROD



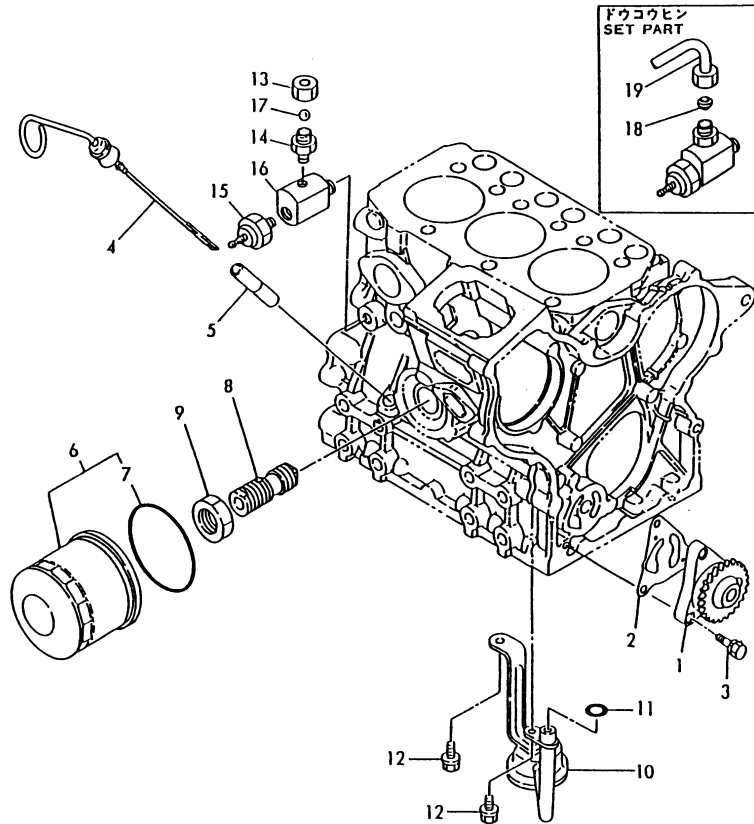
| No. | Lev. | Parts No. | Description | Q'ty | | | | | | I | R |
|------------|------|--------------|----------------------|------|-----|-----|-----|-----|-----|---|-----|
| | | | | (A) | (B) | (C) | (D) | (E) | (F) | | |
| 1 | 1 | 119270-22090 | PISTON ASSY | 3 | | | | | | | |
| 1-1 | 1 | 119270-22091 | PISTON ASSY | 3 | | | | | | | N |
| (A=E10259) | | | | | | | | | | | |
| 2 | 2 | 719270-22500 | RING SET, PISTON | 3 | | | | | | | |
| 2-1 | 2 | 719270-22501 | RING SET, PISTON | 3 | | | | | | | N |
| (A=E10259) | | | | | | | | | | | |
| 3 | 1 | 119260-22300 | PIN, PISTON | 3 | | | | | | | |
| 4 | 1 | 105225-22400 | CIRCLIP | 6 | | | | | | | |
| 5 | 1 | 719270-22820 | PISTON ASSY, 0.25 OS | 3 | | | | | | | 1 |
| 5-1 | 1 | 719270-22821 | PISTON ASSY, 0.25 OS | 3 | | | | | | | N 1 |
| (A=E10259) | | | | | | | | | | | |
| 6 | 2 | 719270-22540 | RING SET, 0.25 OS | 3 | | | | | | | 1 |
| 6-1 | 2 | 719270-22541 | RING SET, 0.25 OS | 3 | | | | | | | N 1 |
| (A=E10259) | | | | | | | | | | | |
| 7 | 1 | 719260-23100 | ROD ASSY, CONNECTING | 3 | | | | | | | |
| 8 | 2 | 119260-23200 | BOLT, CONNECTING ROD | 6 | | | | | | | |
| 9 | 2 | 719260-23600 | BEARING, CRANK PIN | 3 | | | | | | | |
| 10 | 1 | 119260-23910 | BEARING, PISTON PIN | 3 | | | | | | | 2 |
| 11 | 1 | 719260-23610 | BEARING ASSY, 0.25 | 3 | | | | | | | 3 |

Remarks

- (1) OVER-SIZE(O.S=0.25)PART.
- (2) REPAIR PART.
- (3) UNDER-SIZE(U.S=0.25)PART.

Fig.12. LUB. OIL SYSTEM

D19260-32100
 D19645-34100
 D19260-35100
 D19260-35220
 D19248-39100
 D19248-93100



(A)=3TN66L-UGHCH

(B)=

(C)=

(D)=

(E)=

(F)=

| No. | Lev. | Parts No. | Description | Q'ty | | | | | | I | R |
|-----|------|--------------|----------------------|------|-----|-----|-----|-----|-----|---|---|
| | | | | (A) | (B) | (C) | (D) | (E) | (F) | | |
| 1 | 1 | 119260-32000 | PUMP ASSY, OIL | 1 | | | | | | | |
| 2 | 1 | 119660-32020 | GASKET, PUMP | 1 | | | | | | | |
| 3 | 1 | 26013-060202 | BOLT, M6X 20 | 3 | | | | | | | |
| 3-1 | 1 | 26450-060202 | BOLT, M6X 20 | 3 | | | | | | | N |
| | | (A=*1991.01) | | | | | | | | | |
| 4 | 1 | 119645-34800 | DIPSTICK, OIL | 1 | | | | | | | |
| 5 | 1 | 121520-34810 | GUIDE, DIPSTICK | 1 | | | | | | | |
| 6 | 1 | 119660-35150 | FILTER, LUB. OIL | 1 | | | | | | | |
| 7 | 2 | 124450-35110 | O-RING | 1 | | | | | | | |
| 8 | 1 | 119225-35300 | VALVE ASSY,OIL PRESS | 1 | | | | | | | |
| 9 | 1 | 129150-35350 | NUT | 1 | | | | | | | |
| 10 | 1 | 119260-35081 | PIPE, OIL INLET | 1 | | | | | | | |
| 11 | 1 | 24311-000120 | O-RING, 1AP12.0 | 1 | | | | | | | |
| 12 | 1 | 26106-060122 | BOLT, M6X 12 PLATED | 2 | | | | | | | |
| 13 | 1 | 171010-39040 | NUT, CAP | 1 | | | | | | | |
| 14 | 1 | 171015-39100 | UNION | 1 | | | | | | | |
| 15 | 1 | 124160-39450 | SWITCH, 0.5KG | 1 | | | | | | | |
| 16 | 1 | 171375-39600 | DAMPER ASSY | 1 | | | | | | | |
| 17 | 1 | 24190-080001 | BALL, STEEL 1/4 | 1 | | | | | | | |
| 18 | 1 | 171010-39080 | SLEEVE | 1 | | | | | | | |
| 19 | 1 | 171015-91200 | PIPE, OIL | 1 | | | | | | | |

Fig.13. COOLING WATER SYSTEM

(A)=3TN66L-UGHCH

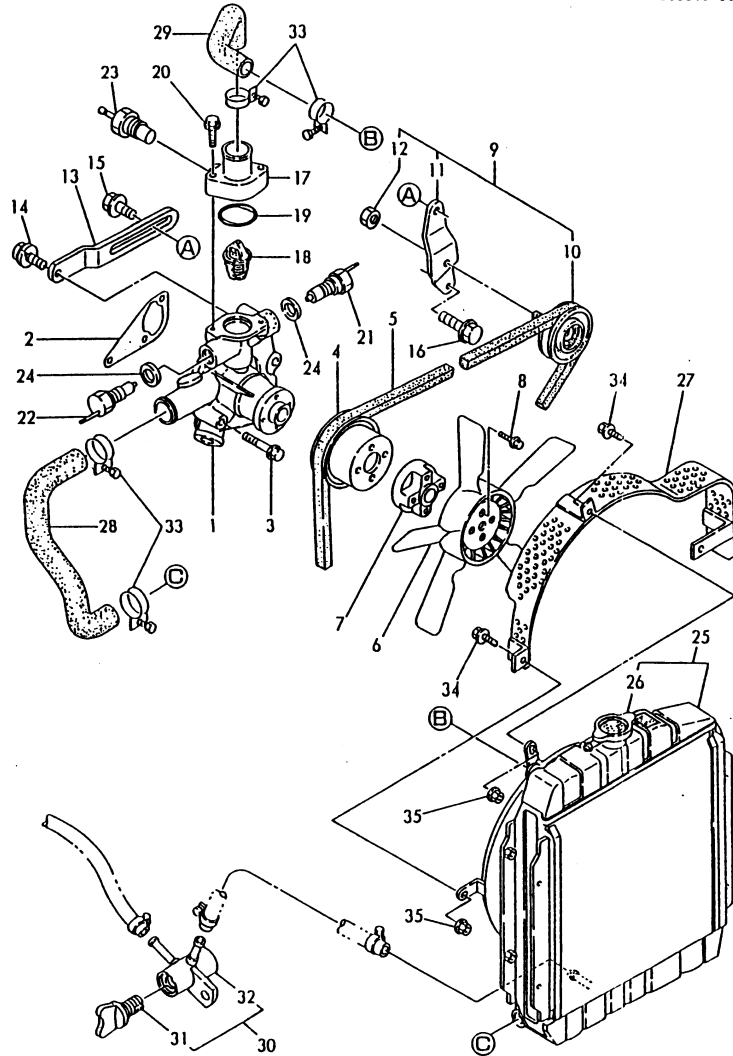
(B)=

(C)=

(D)=

(E)=

(F)=



019249-42100
 019246-42300
 019247-44400
 019248-44500
 019248-49200
 U71375-49600
 019248-93100

| No. | Lev. | Parts No. | Description | Q'ty | | | | | | I | R |
|------------|------|--------------|----------------------|------|-----|-----|-----|-----|-----|---|---|
| | | | | (A) | (B) | (C) | (D) | (E) | (F) | | |
| 1 | 1 | 119260-42000 | PUMP ASSY, WATER | 1 | | | | | | | |
| 1-1 | 1 | 119260-42001 | PUMP ASSY, WATER | 1 | | | | | | | N |
| (A=E24788) | | | | | | | | | | | |
| 2 | 1 | 119260-42020 | GASKET, WATER PUMP | 1 | | | | | | | |
| 3 | 1 | 26106-080452 | BOLT, M8X 45 PLATED | 3 | | | | | | | |
| 4 | 1 | 119620-42350 | V-PULLEY | 1 | | | | | | | |
| 5 | 1 | 104514-42780 | V-BELT, HM33 | 1 | | | | | | | |
| 6 | 1 | 121023-44740 | FAN, COOLING | 1 | | | | | | | |
| 7 | 1 | 171353-44760 | SPACER, FAN | 1 | | | | | | | |
| 8 | 1 | 26106-060352 | BOLT, M6X 35 PLATED | 4 | | | | | | | |
| 9 | 1 | 171375-44300 | PULLEY ASSY, TENSION | 1 | | | | | | | |
| 10 | 2 | 171011-44301 | PULLEY, TENSION | 1 | | | | | | | |
| 11 | 2 | 171375-44320 | BRACKET, PULLEY | 1 | | | | | | | |
| 12 | 2 | 26706-100002 | NUT, M10 | 1 | | | | | | | |
| 13 | 1 | 119660-77330 | ADJUSTER | 1 | | | | | | | |
| 14 | 1 | 26014-080252 | BOLT, M8X 25 | 1 | | | | | | | |
| 15 | 1 | 26106-080182 | BOLT, M8X 18 PLATED | 1 | | | | | | | |
| 16 | 1 | 26106-100352 | BOLT, M10X 35 PLATED | 1 | | | | | | | |
| 17 | 1 | 119248-49530 | COVER, THERMOSTAT | 1 | | | | | | | |
| 18 | 1 | 119260-49800 | THERMOSTAT, 71 | 1 | | | | | | | |
| 19 | 1 | 24321-000350 | O-RING, 1AG35.0 | 1 | | | | | | | |
| 20 | 1 | 26106-060402 | BOLT, M6X 40 PLATED | 2 | | | | | | | |
| 21 | 1 | 121250-44901 | SWITCH, 110 | 1 | | | | | | | |
| 22 | 1 | 171375-44900 | SWITCH, 15 | 1 | | | | | | | |
| 23 | 1 | 171375-44910 | SENSOR | 1 | | | | | | | |
| 24 | 1 | 124465-44950 | GASKET, 16 | 2 | | | | | | | |
| 25 | 1 | 119260-44500 | RADIATOR | 1 | | | | | | | |
| 26 | 2 | 124450-44590 | CAP, RADIATOR | 1 | | | | | | | |
| 27 | 1 | 119288-44760 | GUARD | 1 | | | | | | | |
| 28 | 1 | 119248-49010 | PIPE, WATER | 1 | | | | | | | |
| 29 | 1 | 119280-49020 | PIPE, WATER | 1 | | | | | | | |
| 30 | 1 | 129150-49100 | COCK ASSY, 3-WAY | 1 | | | | | | | |
| 31 | 2 | 129150-49080 | COCK, DRAIN | 1 | | | | | | | |
| 32 | 2 | 129150-49090 | BODY, 3-WAY COCK | 1 | | | | | | | |
| 33 | 1 | 23010-038000 | CLAMP, 38 | 4 | | | | | | | |
| 34 | 1 | 26013-080142 | BOLT, M8X 14 | 3 | | | | | | | |
| 35 | 1 | 26366-080002 | NUT, M8 | 3 | | | | | | | |

Fig.14. FUEL INJECTION DEVICE

(A)=3TN66L-UGHCH

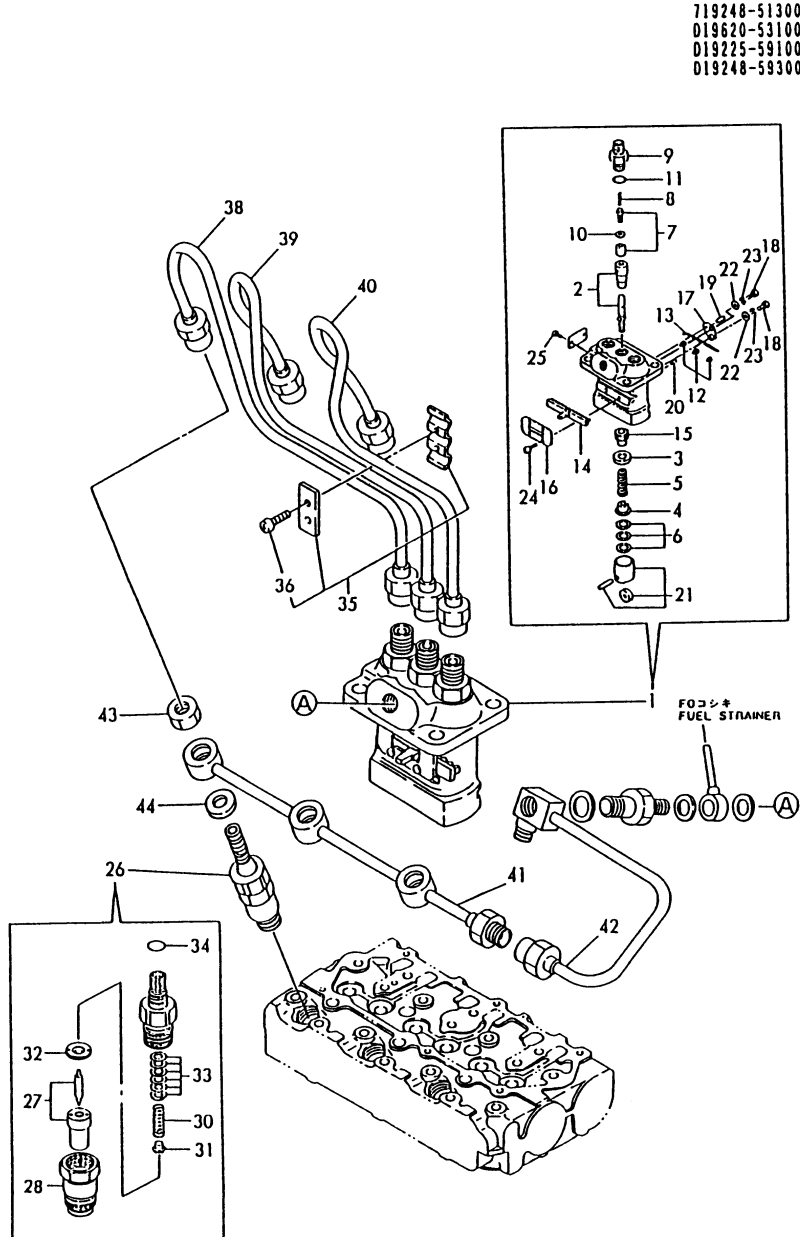
(B)=

(C)=

(D)=

(E)=

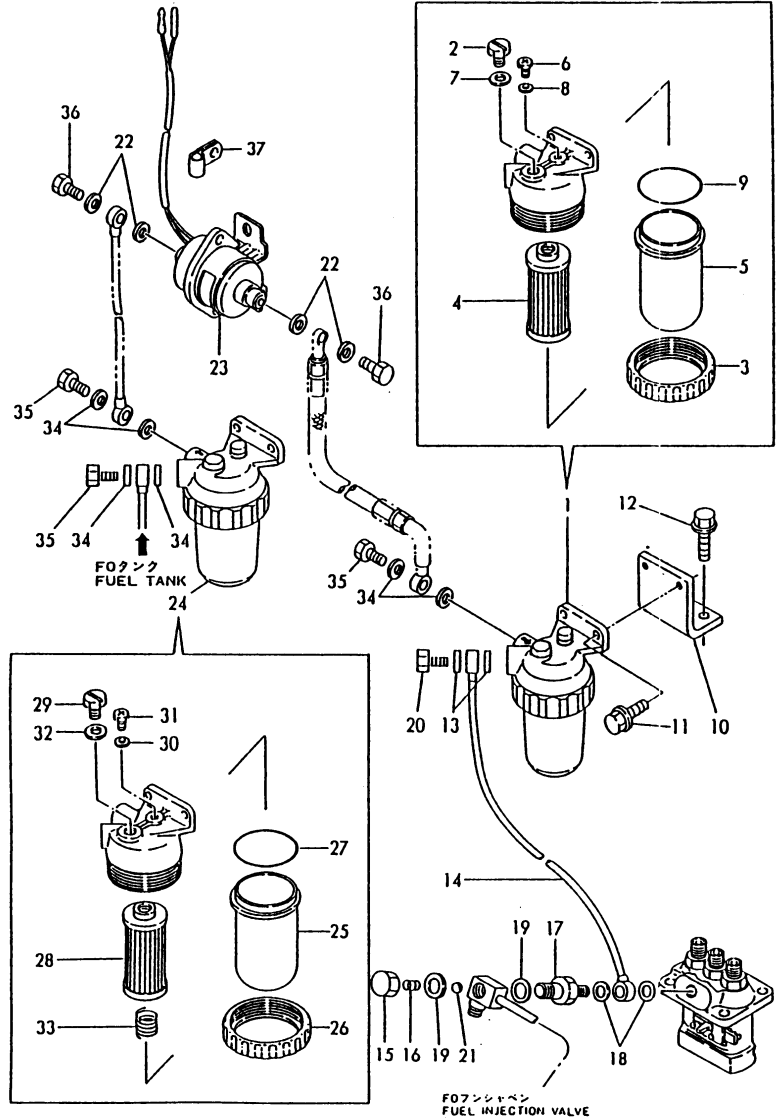
(F)=



719248-51300
 019620-53100
 019225-59100
 019248-59300

| No. | Lev. | Parts No. | Description | Q'ty | | | | | | I | R |
|-----|------|--------------|----------------------|------|-----|-----|-----|-----|-----|---|---|
| | | | | (A) | (B) | (C) | (D) | (E) | (F) | | |
| 1 | 1 | 719225-51100 | PUMP ASSY, INJECTION | 1 | | | | | | | |
| 2 | 2 | 119225-51100 | PLUNGER ASSY | 3 | | | | | | | |
| 3 | 2 | 119620-51170 | RETAINER, SPRING A | 3 | | | | | | | |
| 4 | 2 | 119620-51180 | RETAINER, SPRING B | 3 | | | | | | | |
| 5 | 2 | 119620-51190 | SPRING, PLUNGER | 3 | | | | | | | |
| 6 | 2 | 119620-51250 | SHIM SET | 3 | | | | | | | |
| 7 | 2 | 119225-51300 | VALVE ASSY, DELIVERY | 3 | | | | | | | |
| 8 | 2 | 105546-51330 | SPRING, DELIVERY | 3 | | | | | | | |
| 9 | 2 | 119620-51340 | HOLDER, DELIVERY | 3 | | | | | | | |
| 10 | 2 | 119620-51350 | GASKET | 3 | | | | | | | |
| 11 | 2 | 119620-51370 | O-RING | 3 | | | | | | | |
| 12 | 2 | 119620-51450 | PIECE | 3 | | | | | | | |
| 13 | 2 | 119620-51461 | PIN | 1 | | | | | | | |
| 14 | 2 | 119660-51500 | RACK, CONTROL | 1 | | | | | | | |
| 15 | 2 | 119620-51510 | PINION | 3 | | | | | | | |
| 16 | 2 | 119660-51530 | RETAINER, RACK | 1 | | | | | | | |
| 17 | 2 | 119620-51650 | PLATE | 2 | | | | | | | |
| 18 | 2 | 119620-51660 | SCREW | 2 | | | | | | | |
| 19 | 2 | 119620-51670 | PIN | 2 | | | | | | | |
| 20 | 2 | 119620-51680 | PIN | 1 | | | | | | | |
| 21 | 2 | 119620-51700 | TAPPET ASSY | 3 | | | | | | | |
| 22 | 2 | 22137-040000 | WASHER, 4 | 2 | | | | | | | Z |
| 23 | 2 | 22217-040000 | WASHER, SPRING 4 | 2 | | | | | | | Z |
| 24 | 2 | 26022-040082 | SCREW, M4X 8 | 4 | | | | | | | |
| 25 | 2 | 26587-040102 | SCREW, M4X10 | 2 | | | | | | | |
| 26 | 1 | 719620-53100 | VALVE ASSY,INJECTION | 3 | | | | | | | |
| 27 | 2 | 119620-53000 | VALVE ASSY,INJECTION | 3 | | | | | | | |
| 28 | 2 | 119620-53080 | NUT, NOZZLE | 3 | | | | | | | |
| 30 | 2 | 119620-53120 | SPRING, NOZZLE | 3 | | | | | | | |
| 31 | 2 | 114250-53130 | SEAT, SPRING | 3 | | | | | | | |
| 32 | 2 | 119620-53140 | SPACER, VALVE STOP | 3 | | | | | | | |
| 33 | 2 | 114250-53400 | SHIM SET | 3 | | | | | | | |
| 34 | 2 | 129155-61830 | O-RING, S10 | 3 | | | | | | | |
| 35 | 1 | 129150-59120 | RETAINER, PIPE | 1 | | | | | | | |
| 36 | 2 | 129150-59130 | BOLT, M4X12 | 2 | | | | | | | |
| 38 | 1 | 119225-59810 | PIPE ASSY, INJECTION | 1 | | | | | | | |
| 39 | 1 | 119260-59820 | PIPE ASSY, INJECTION | 1 | | | | | | | |
| 40 | 1 | 119260-59830 | PIPE ASSY, INJECTION | 1 | | | | | | | |
| 41 | 1 | 119248-59550 | PIPE ASSY, RETURN | 1 | | | | | | | |
| 42 | 1 | 119248-59560 | PIPE ASSY, RETURN | 1 | | | | | | | |
| 43 | 1 | 119620-59700 | NUT, NOZZLE | 3 | | | | | | | |
| 44 | 1 | 23414-140000 | GASKET, 14X1.0 | 3 | | | | | | | |

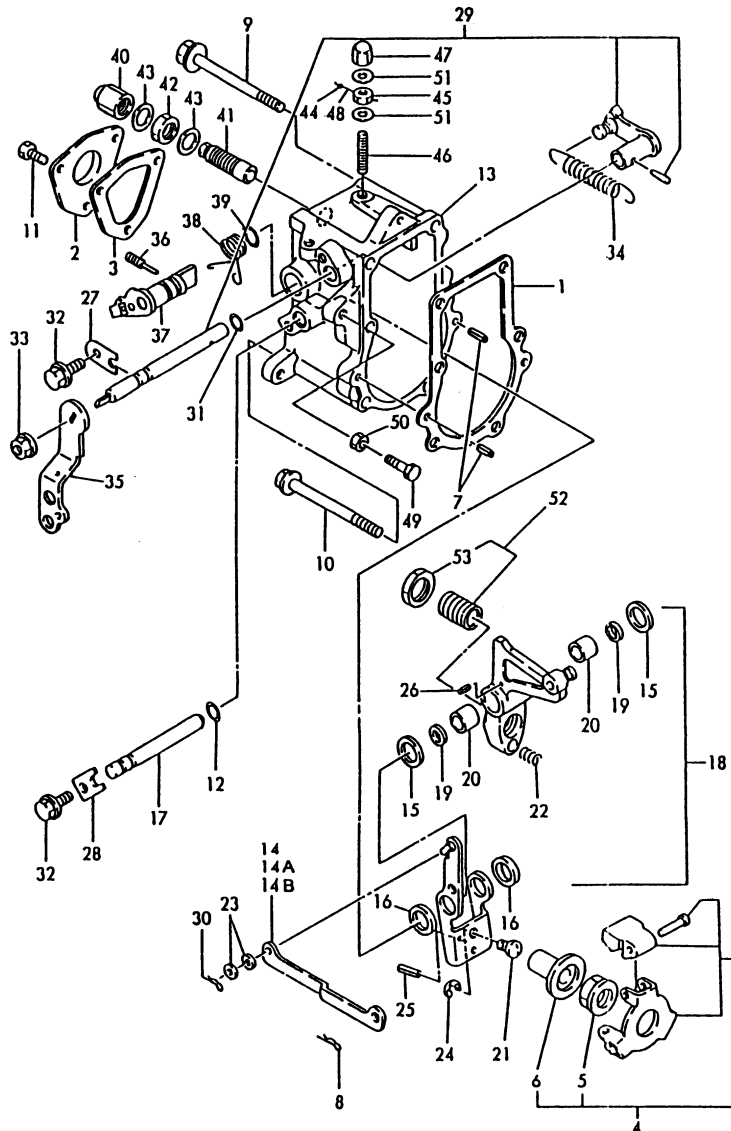
Fig.15. FUEL SYSTEM



D19248-55100
D19248-59200
D19248-93100

| No. | Lev. | Parts No. | Description | Qty | | | | | | I | R |
|------------|------|--------------|----------------------|-----|-----|-----|-----|-----|-----|---|---|
| | | | | (A) | (B) | (C) | (D) | (E) | (F) | | |
| 1 | 1 | 124790-55601 | STRAINER ASSY, FUEL | 1 | | | | | | | |
| 2 | 2 | 135210-51900 | PLUG | 1 | | | | | | | |
| 3 | 2 | 110250-55610 | RING, RETAINING | 1 | | | | | | | |
| 4 | 2 | 104500-55710 | ELEMENT | 1 | | | | | | | |
| 5 | 2 | 121370-55730 | CUP, STRAINER | 1 | | | | | | | |
| 6 | 2 | 101720-55750 | PLUG, 6 | 1 | | | | | | | |
| 7 | 2 | 23414-080012 | GASKET, 8X1.0 | 1 | | | | | | | |
| 8 | 2 | 23418-060000 | GASKET, 6X1.0 | 1 | | | | | | | |
| 9 | 2 | 24341-000440 | O-RING, 1AS44.0 | 1 | | | | | | | |
| 10 | 1 | 119248-55610 | BRACKET, FILTER | 1 | | | | | | | |
| 11 | 1 | 26106-060122 | BOLT, M6X 12 PLATED | 2 | | | | | | | |
| 12 | 1 | 26106-100162 | BOLT, M10X 16 PLATED | 2 | | | | | | | |
| 13 | 1 | 104200-59170 | GASKET, 12 | 2 | | | | | | | |
| 14 | 1 | 119248-59520 | PIPE ASSY, FUEL | 1 | | | | | | | |
| 14-1 | 1 | 119248-59521 | PIPE ASSY, FUEL | 1 | | | | | | | N |
| (A=E10895) | | | | | | | | | | | |
| 15 | 1 | 171081-59900 | NUT, CAP | 1 | | | | | | | |
| 16 | 1 | 171081-59910 | SPRING | 1 | | | | | | | |
| 17 | 1 | 171081-59920 | BOLT, PIPE JOINT | 1 | | | | | | | |
| 18 | 1 | 23414-120000 | GASKET, 12X1.0 | 2 | | | | | | | |
| 19 | 1 | 23414-140000 | GASKET, 14X1.0 | 2 | | | | | | | |
| 20 | 1 | 23857-060000 | BOLT, JOINT 6 | 1 | | | | | | | |
| 21 | 1 | 24190-090001 | BALL, STEEL 9/32 | 1 | | | | | | | |
| 22 | 1 | 23414-080012 | GASKET, 8X1.0 | 4 | | | | | | | |
| 23 | 1 | 124790-52201 | PUMP ASSY, FUEL FEED | 1 | | | | | | | |
| 24 | 1 | 171081-55900 | FILTER ASSY, PRE | 1 | | | | | | | |
| 25 | 2 | 121370-55730 | CUP, STRAINER | 1 | | | | | | | |
| 26 | 2 | 110250-55610 | RING, RETAINING | 1 | | | | | | | |
| 27 | 2 | 103854-32050 | O-RING | 1 | | | | | | | |
| 28 | 2 | 171081-55910 | SCREEN | 1 | | | | | | | |
| 29 | 2 | 135210-51900 | PLUG | 1 | | | | | | | |
| 30 | 2 | 23418-060000 | GASKET, 6X1.0 | 1 | | | | | | | |
| 31 | 2 | 101720-55750 | PLUG, 6 | 1 | | | | | | | |
| 32 | 2 | 23414-080012 | GASKET, 8X1.0 | 1 | | | | | | | |
| 33 | 2 | 121257-55720 | SPRING | 1 | | | | | | | |
| 34 | 1 | 23414-120000 | GASKET, 12X1.0 | 6 | | | | | | | |
| 35 | 1 | 23857-060000 | BOLT, JOINT 6 | 3 | | | | | | | |
| 36 | 1 | 105582-59150 | BOLT, PIPE JOINT | 2 | | | | | | | |
| 37 | 1 | 194440-51620 | CLAMP | 1 | | | | | | | W |
| (A=E17975) | | | | | | | | | | | |

Fig.16. GOVERNOR

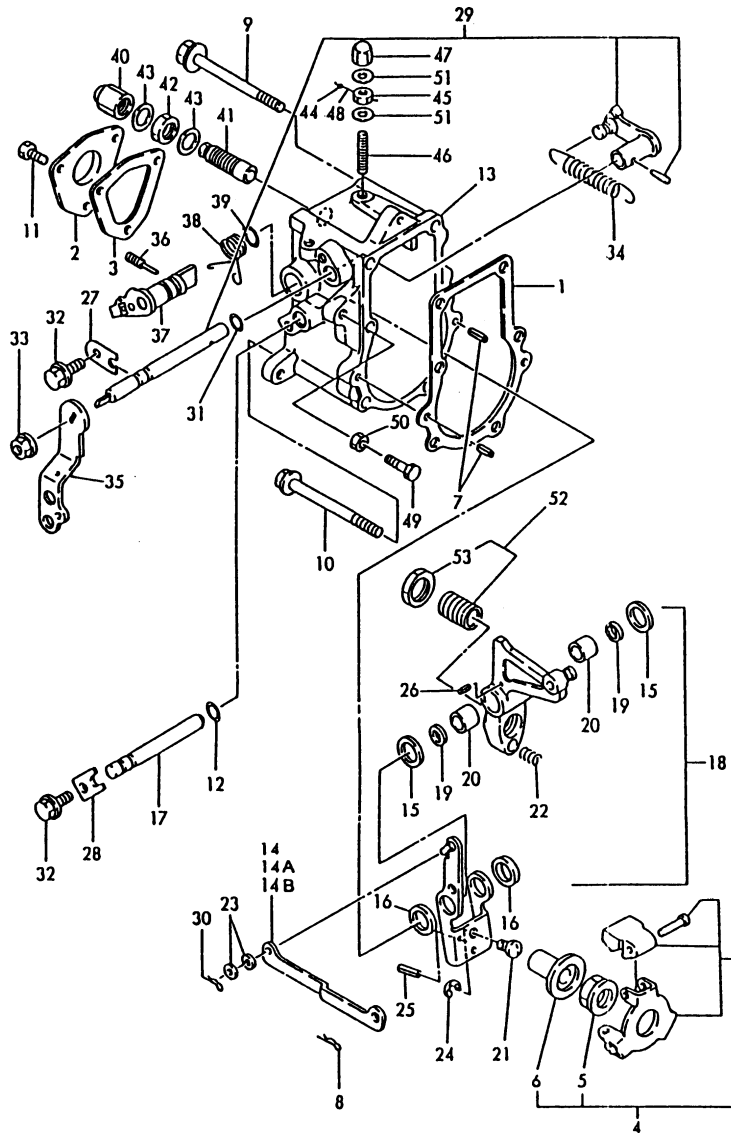


719248-51300

| No. | Lev. | Parts No. | Description | Q'ty | | | | | | I | R |
|------------|------|--------------|----------------------|------|-----|-----|-----|-----|-----|---|---|
| | | | | (A) | (B) | (C) | (D) | (E) | (F) | | |
| 1 | 1 | 119660-61051 | GASKET | 1 | | | | | | | |
| 1-1 | 1 | 119660-61052 | GASKET | 1 | | | | | | | N |
| (A=E24398) | | | | | | | | | | | |
| 2 | 1 | 119660-61060 | COVER, GOVERNOR CASE | 1 | | | | | | | |
| 3 | 1 | 119660-61070 | GASKET | 1 | | | | | | | |
| 3-1 | 1 | 119660-61071 | GASKET | 1 | | | | | | | N |
| (A=E23291) | | | | | | | | | | | |
| 4 | 1 | 119600-61100 | DRIVE ASSY | 1 | | | | | | | W |
| (A=E23291) | | | | | | | | | | | |
| 5 | 2 | 119660-61300 | NUT | 1 | | | | | | | |
| 6 | 2 | 119660-61341 | SLEEVE | 1 | | | | | | | |
| 7 | 1 | 22351-040010 | PIN, SPRING 4.0X10 | 2 | | | | | | | |
| 8 | 1 | 22360-060000 | PIN, SNAP 6 | 1 | | | | | | | |
| 9 | 1 | 26106-060702 | BOLT, M6X 70 PLATED | 3 | | | | | | | |
| 10 | 1 | 26106-060752 | BOLT, M6X 75 PLATED | 3 | | | | | | | |
| 10-1 | 1 | 26106-060752 | BOLT, M6X 75 PLATED | 2 | | | | | | | K |
| (A=EXXX) | | | | | | | | | | | |
| 11 | 1 | 26116-050102 | BOLT, M5X 10 PLATED | 3 | | | | | | | |
| 12 | 1 | 129155-51280 | O-RING, S6 | 1 | | | | | | | |
| 13 | 1 | 119660-61013 | CASE, GOVERNOR | 1 | | | | | | | |
| 14 | 1 | 119660-61121 | LINK, NO MARK | 1 | | | | | | | |
| 14A | 1 | 119660-61140 | LINK, MARK :2 | 1 | | | | | | | W |
| (A=EXXX) | | | | | | | | | | | |
| 14B | 1 | 119660-61150 | LINK, MARK :3 | 1 | | | | | | | W |
| (A=EXXX) | | | | | | | | | | | |
| 15 | 1 | 119660-61460 | SHIM SET | 1 | | | | | | | |
| 16 | 1 | 129155-61480 | SPACER ASSY | 2 | | | | | | | |
| 17 | 1 | 119660-61491 | SHAFT | 1 | | | | | | | |
| 18 | 1 | 119600-61500 | LEVER ASSY, GOVERNOR | 1 | | | | | | | |
| 19 | 2 | 174307-51700 | SHIM SET | 2 | | | | | | | |
| 20 | 2 | 129155-61530 | BUSH | 2 | | | | | | | |
| 21 | 2 | 119600-61540 | SHIFTER | 1 | | | | | | | |
| 22 | 2 | 119600-61650 | SPRING, STARTING | 1 | | | | | | | |
| 23 | 2 | 22117-040000 | WASHER, 4 | 1 | | | | | | | |
| 23-1 | 1 | 22117-040000 | WASHER, 4 | 2 | | | | | | | K |
| (A=E10895) | | | | | | | | | | | |
| 24 | 2 | 22272-000040 | RING, E- 4 | 1 | | | | | | | |
| 25 | 2 | 22351-020004 | PIN, SPRING 2.0X 4 | 1 | | | | | | | |
| 26 | 2 | 22351-030014 | PIN, SPRING 3.0X14 | 1 | | | | | | | |
| 27 | 1 | 119600-61900 | RETAINER, SHAFT | 1 | | | | | | | |
| 28 | 1 | 119660-61901 | RETAINER, SHAFT | 1 | | | | | | | |
| 29 | 1 | 119621-66091 | SHAFT ASSY | 1 | | | | | | | |
| 30 | 1 | 22360-040000 | PIN, SNAP 4 | 1 | | | | | | | |
| 31 | 1 | 24341-000070 | O-RING, 1AS7.0 | 1 | | | | | | | |
| 32 | 1 | 26106-060102 | BOLT, M6X 10 PLATED | 2 | | | | | | | |
| 33 | 1 | 194990-22050 | NUT, M8 | 1 | | | | | | | |
| 34 | 1 | 119260-66010 | SPRING, REGULATOR | 1 | | | | | | | |
| 35 | 1 | 119621-66051 | LEVER, REGULATOR | 1 | | | | | | | |
| 36 | 1 | 124250-03640 | SCREW | 1 | | | | | | | |
| 37 | 1 | 119248-66510 | HANDLE, STOP | 1 | | | | | | | |
| 38 | 1 | 119600-66681 | SPRING, RETURN | 1 | | | | | | | |

Fig.16. GOVERNOR

719248-51300



(A)=3TN66L-UGHCH

(B)=

(C)=

(D)=

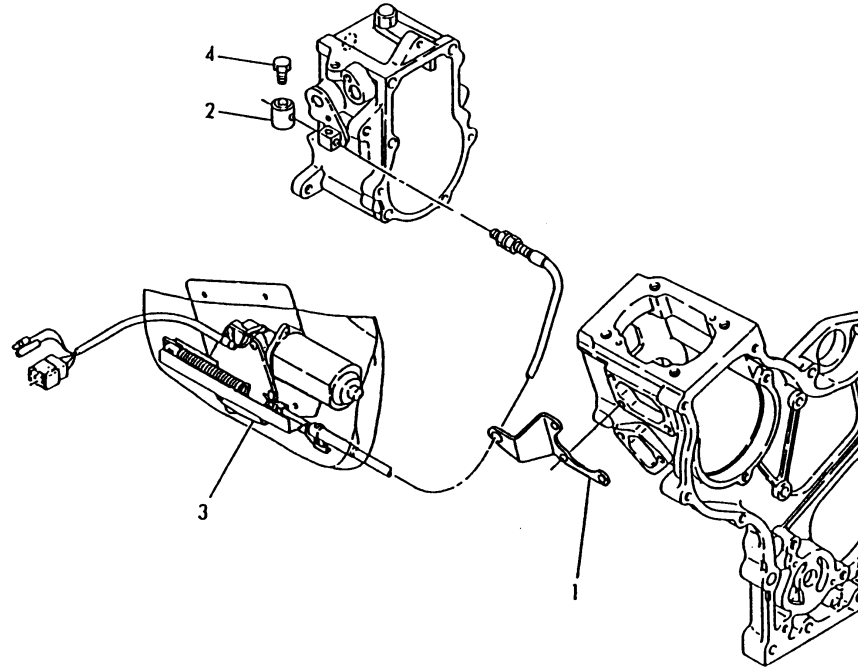
(E)=

(F)=

| No. | Lev. | Parts No. | Description | Q'ty | | | | | | I | R |
|----------|------|--------------|---------------------|------|-----|-----|-----|-----|-----|---|---|
| | | | | (A) | (B) | (C) | (D) | (E) | (F) | | |
| 39 | 1 | 24311-240100 | O-RING, 1AP10A | 1 | | | | | | | |
| 40 | 1 | 129100-61930 | NUT, CAP | 1 | | | | | | | |
| 41 | 1 | 119260-66540 | LIMITER ASSY, FUEL | 1 | | | | | | | |
| 42 | 1 | 124772-66750 | NUT, LOCK M12 | 1 | | | | | | | |
| 43 | 1 | 43400-500450 | SEAL WASHER 12 | 2 | | | | | | | |
| 44 | 1 | 135210-61090 | LEAD | 1 | | | | | | | Z |
| (A=EXXX) | | | | | | | | | | | |
| 45 | 1 | 124550-66370 | NUT, M6 | 1 | | | | | | | |
| 46 | 1 | 121575-66830 | SCREW | 1 | | | | | | | |
| 47 | 1 | 119600-66840 | NUT, CAP | 1 | | | | | | | |
| 48 | 1 | 22451-060000 | WIRE, 0.6 | 1 | | | | | | | Z |
| (A=EXXX) | | | | | | | | | | | |
| 49 | 1 | 26116-060304 | BOLT, M6X 30 PLATED | 1 | | | | | | | |
| 50 | 1 | 26756-060002 | NUT, LOCK M6 | 1 | | | | | | | |
| 51 | 1 | 43400-500400 | SEAL WASHER 6 | 2 | | | | | | | |
| 52 | 1 | 119260-66720 | ANGLEICH ASSY | 1 | | | | | | | |
| 53 | 2 | 129155-61590 | NUT, LOCK | 1 | | | | | | | |

Fig.17. ENGINE STOP

D19248-66900
D19248-93100

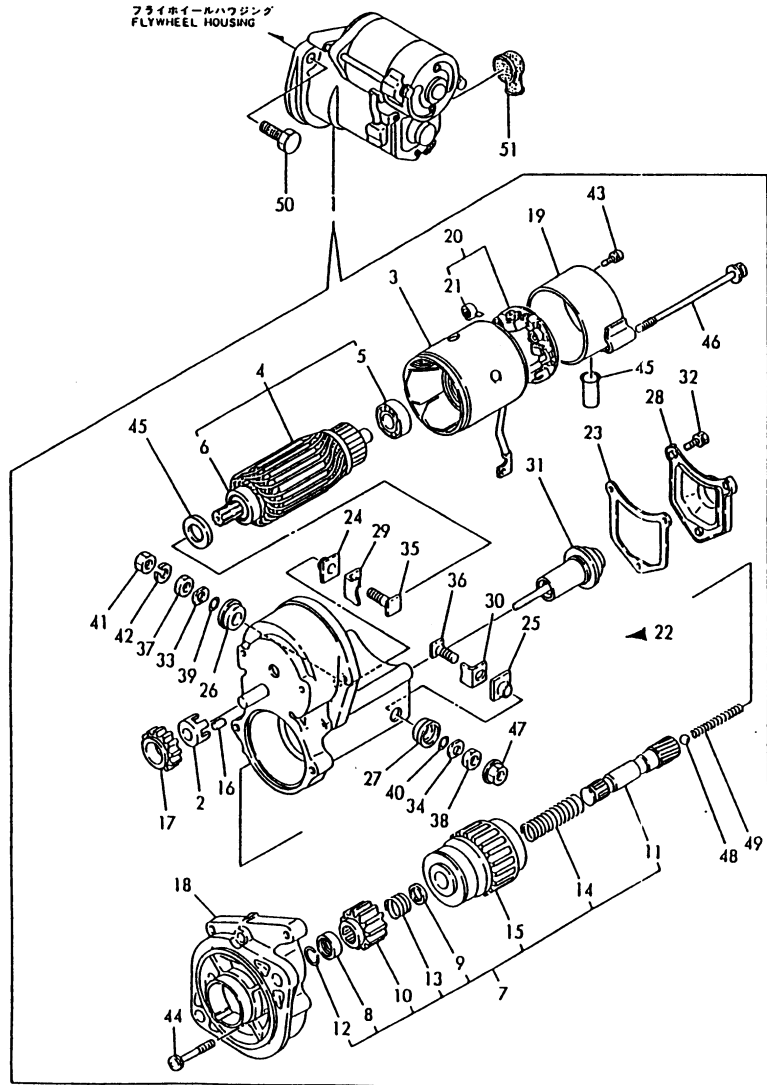


(A)=3TN66L-UGHCH
(B)=
(C)=

(D)=
(E)=
(F)=

| No. | Lev. | Parts No. | Description | Q'ty | | | | | | I | R |
|-----|------|--------------|--------------------|------|-----|-----|-----|-----|-----|---|---|
| | | | | (A) | (B) | (C) | (D) | (E) | (F) | | |
| 1 | 1 | 119248-66900 | SUPPORT, WIRE | 1 | | | | | | | |
| 2 | 1 | 106500-44870 | STOPPER | 1 | | | | | | | |
| 3 | 1 | 121575-77900 | MOTOR, STOP | 1 | | | | | | | |
| 4 | 1 | 26117-040088 | BOLT M 4X 8 PLATED | 1 | | | | | | | |

Fig.18. STARTING MOTOR(COMPONENT PARTS)



D19640-77100
D19248-93100

(A)=3TN66L-UGHCH

(B)=

(C)=

(D)=

(E)=

(F)=

| No. | Lev. | Parts No. | Description | Q'ty | | | | | | I | R |
|------------|------|--------------|--------------------|------|-----|-----|-----|-----|-----|---|---|
| | | | | (A) | (B) | (C) | (D) | (E) | (F) | | |
| 1 | 1 | 119620-77011 | STARTER | 1 | | | | | | | |
| 2 | 2 | X0280630011 | RETAINER | 1 | | | | | | | |
| 3 | 2 | X0281003751 | YOKE ASSY | 1 | | | | | | | |
| 4 | 2 | X0282001531 | ARMATURE ASSY | 1 | | | | | | | |
| 5 | 3 | X9491001360 | BEARING | 1 | | | | | | | |
| 6 | 3 | X9491001860 | BALL BEARING | 1 | | | | | | | |
| 7 | 2 | X0283005050 | CLUTCH, STARTER | 1 | | | | | | | |
| 8 | 3 | X0280210230 | NUT | 1 | | | | | | | |
| 9 | 3 | X0283270140 | RETAINER | 1 | | | | | | | |
| 10 | 3 | X0283715030 | PINION, STARTER | 1 | | | | | | | |
| 11 | 3 | X0283810040 | SHAFT | 1 | | | | | | | |
| 12 | 3 | X9490721080 | RING | 1 | | | | | | | |
| 13 | 3 | X9491703371 | SPRING, COIL | 1 | | | | | | | |
| 14 | 3 | X9491704260 | SPRING | 1 | | | | | | | |
| 15 | 3 | 121120-77930 | CASE ASSY, STARTER | 1 | | | | | | | |
| 16 | 2 | X0283060061 | ROLLER | 5 | | | | | | | |
| 17 | 2 | X0283711420 | PINION | 1 | | | | | | | |
| 18 | 2 | X0284004910 | HOUSING, STARTER | 1 | | | | | | | |
| 19 | 2 | X0285040631 | FRAME ASSY | 1 | | | | | | | |
| 20 | 2 | X0285100460 | HOLDER ASSY, BRUSH | 1 | | | | | | | |
| 21 | 3 | X9491730461 | SPRING | 4 | | | | | | | |
| 22 | 2 | X0534006460 | SWITCH, MAGNETIC | 1 | | | | | | | |
| 23 | 3 | X0534040320 | GASKET | 1 | | | | | | | |
| 24 | 3 | X0534490120 | BUSH | 1 | | | | | | | |
| 25 | 3 | X0534490120 | BUSH | 1 | | | | | | | |
| 26 | 3 | X0534490230 | BUSH | 1 | | | | | | | |
| 27 | 3 | X0534490230 | BUSH | 1 | | | | | | | |
| 28 | 3 | X0535050620 | COVER | 1 | | | | | | | |
| 29 | 3 | X0535130241 | PLATE (B) | 1 | | | | | | | |
| 30 | 3 | X0535130320 | PLATE (A) | 1 | | | | | | | |
| 31 | 3 | X0536600401 | PLUNGER | 1 | | | | | | | |
| 32 | 3 | X9151005141 | BOLT W/WASHER | 3 | | | | | | | |
| 33 | 3 | X9490170900 | WASHER | 1 | | | | | | | |
| 34 | 3 | X9490170900 | WASHER | 1 | | | | | | | |
| 35 | 3 | X9490441303 | BOLT | 1 | | | | | | | |
| 36 | 3 | X9490441312 | BOLT | 1 | | | | | | | |
| 37 | 3 | X9490502820 | NUT | 1 | | | | | | | |
| 38 | 3 | X9490502820 | NUT | 1 | | | | | | | |
| 39 | 3 | X9491402100 | O-RING | 1 | | | | | | | |
| 40 | 3 | X9491402100 | O-RING | 1 | | | | | | | |
| 41 | 2 | X9019008651 | NUT | 1 | | | | | | | |
| 42 | 2 | X9025808001 | WASHER | 1 | | | | | | | |
| 43 | 2 | X9490071810 | SCREW W/WASHER | 2 | | | | | | | |
| 44 | 2 | X9490071970 | SCREW W/WASHER | 2 | | | | | | | |
| 45 | 2 | X9490200710 | WASHER | 1 | | | | | | | Z |
| (A=E14115) | | | | | | | | | | | |
| 46 | 2 | X9490471500 | BOLT W/WASHER | 2 | | | | | | | |
| 46-1 | 2 | X9490423330 | BOLT W/WASHER | 2 | | | | | | | N |
| (A=E14115) | | | | | | | | | | | |
| 47 | 2 | X9490561370 | NUT | 1 | | | | | | | |
| 48 | 2 | X9491200240 | BALL | 1 | | | | | | | |

N:Old $\xrightarrow{\text{Yes}}$ New, Q:Old $\xrightarrow{\text{No}}$ New, R:Old $\xrightarrow{\text{Yes}}$ New, S:Old $\xrightarrow{\text{No}}$ New, W:Add, Z:Discontinued, F:Interchangeable by set, K:Q'ty Change

++ CONTINUE ++

Copyright (C) YANMAR CO., LTD. All Rights Reserved.

Fig.18. STARTING MOTOR(COMPONENT PARTS)

(A)=3TN66L-UGHCH
 (B)=
 (C)=

(D)=
 (E)=
 (F)=

| No. | Lev. | Parts No. | Description | Qty | | | | | | I | R |
|-----|------|--------------|----------------------|-----|-----|-----|-----|-----|-----|---|---|
| | | | | (A) | (B) | (C) | (D) | (E) | (F) | | |
| 49 | 2 | X9491703380 | SPRING | 1 | | | | | | | |
| 50 | 1 | 26116-120252 | BOLT, M12X 25 PLATED | 2 | | | | | | | |
| 51 | 1 | 124550-77030 | COVER, TERMINAL | 1 | | | | | | | |

D19640-77100
 D19248-93100

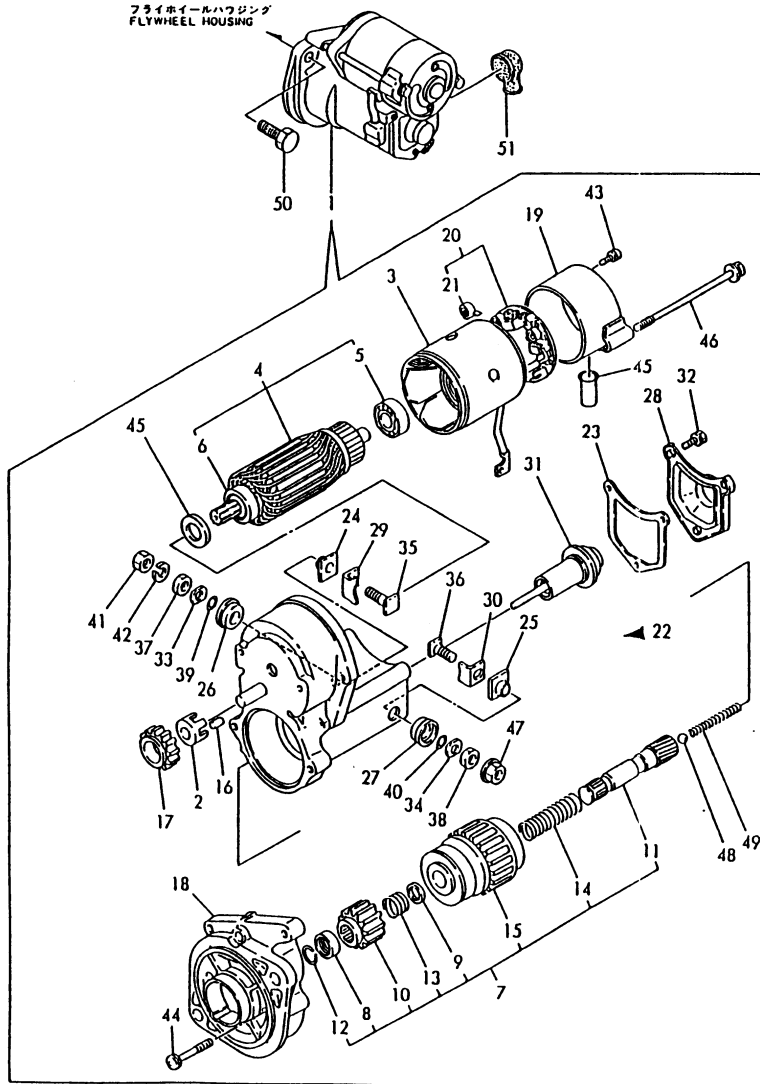


Fig.19. ELECTRIC PARTS

(A)=3TN66L-UGHCH

(B)=

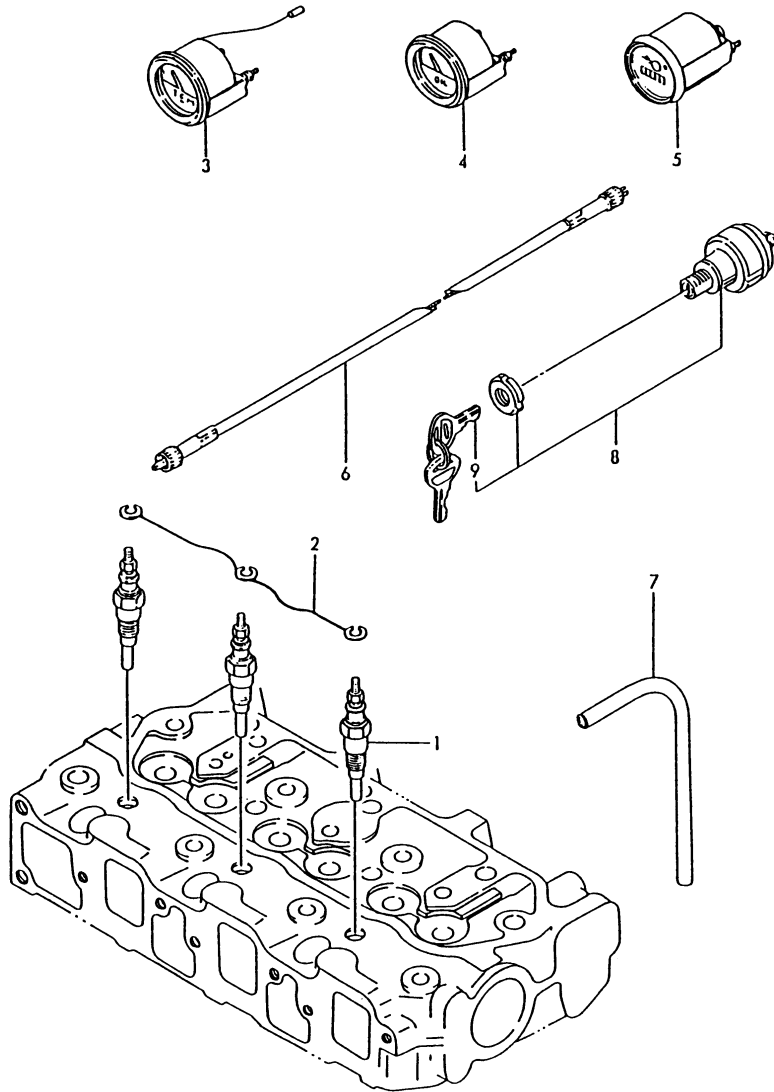
(C)=

(D)=

(E)=

(F)=

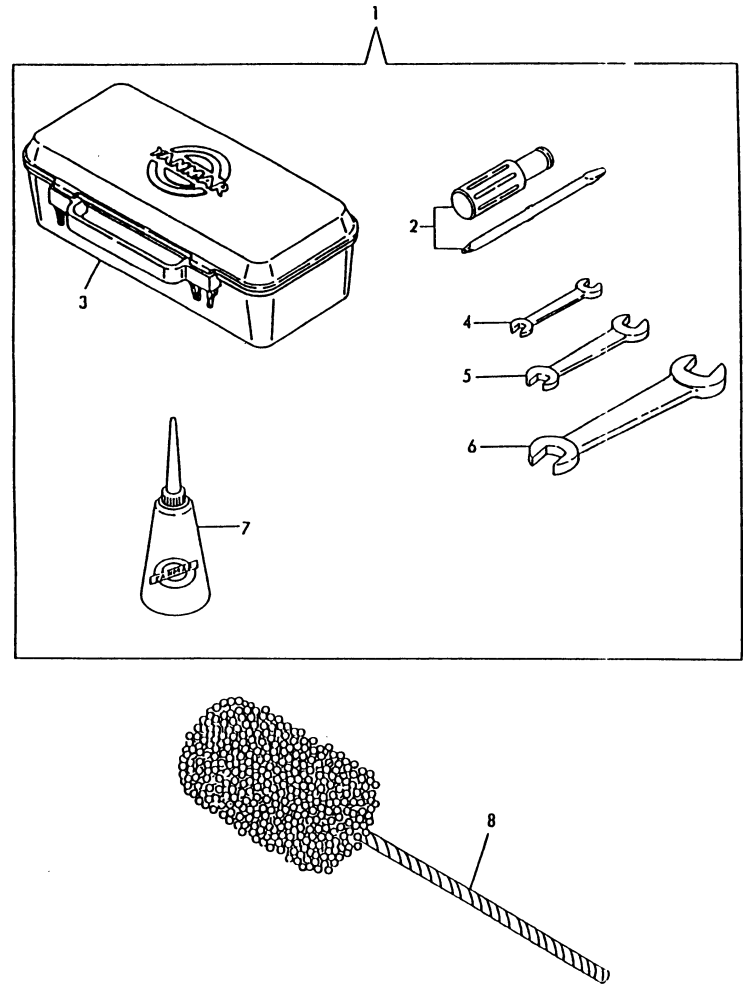
D29155-77310
D19620-77700
D19248-93100



| No. | Lev. | Parts No. | Description | Qty | | | | | | I | R |
|-----|------|--------------|----------------------|-----|-----|-----|-----|-----|-----|---|---|
| | | | | (A) | (B) | (C) | (D) | (E) | (F) | | |
| 1 | 1 | 129155-77801 | PLUG, GLOW | 3 | | | | | | | |
| 2 | 1 | 119620-77820 | CONNECTOR, GLOW PLUG | 1 | | | | | | | |
| 3 | 1 | 171010-77850 | THERMOSTAT | 2 | | | | | | | |
| 4 | 1 | 175300-91010 | GAUGE, LO PRESSURE | 1 | | | | | | | |
| 5 | 1 | 171014-91101 | TACHOMETER | 1 | | | | | | | |
| 6 | 1 | 121400-91140 | SHAFT | 1 | | | | | | | |
| 7 | 1 | 171015-91200 | PIPE, OIL | 1 | | | | | | | |
| 8 | 1 | 121400-91251 | SWITCH, STARTER | 1 | | | | | | | |
| 9 | 2 | 121400-91271 | KEY, SWITCH | 2 | | | | | | | |

Fig.20. TOOL

D19248-93100



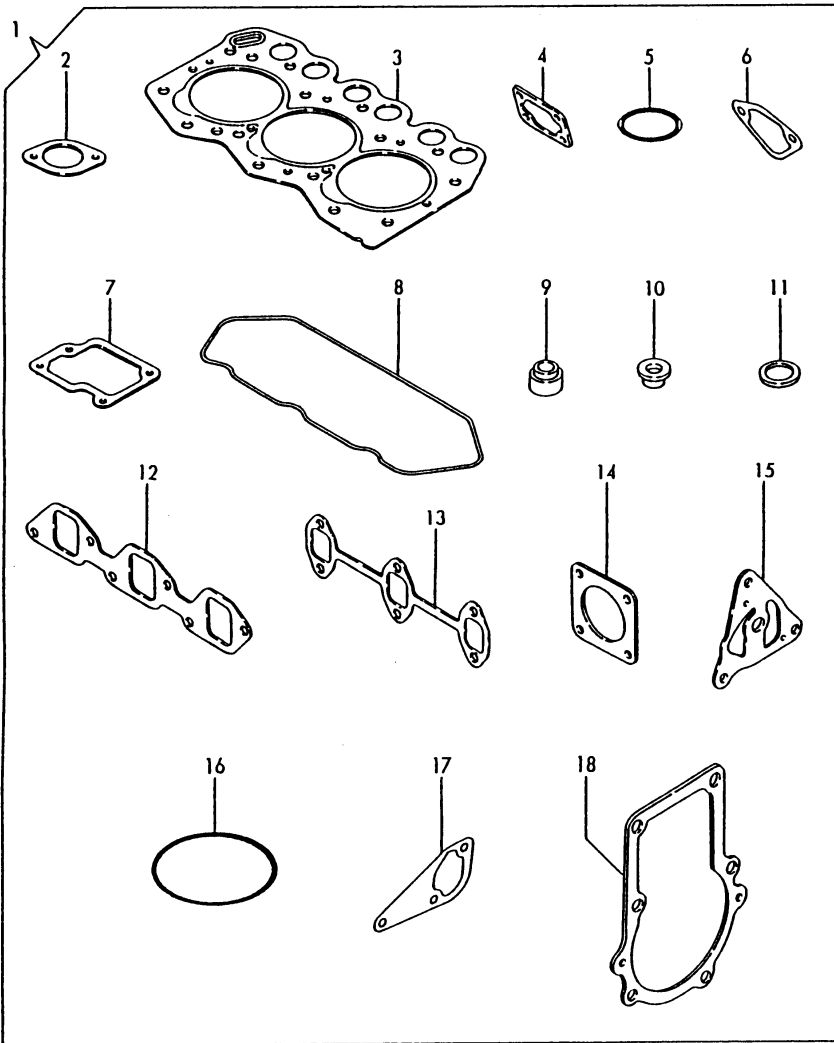
(A)=3TN66L-UGHCH
(B)=
(C)=

(D)=
(E)=
(F)=

| No. | Lev. | Parts No. | Description | Q'ty | | | | | | I | R |
|-----|------|--------------|----------------|------|-----|-----|-----|-----|-----|---|---|
| | | | | (A) | (B) | (C) | (D) | (E) | (F) | | |
| 1 | 1 | 171001-93100 | BOX, TOOL | 1 | | | | | | | |
| 2 | 2 | 104200-92350 | DRIVER, SCREW | 1 | | | | | | | |
| 3 | 2 | 104200-92600 | BOX, TOOL | 1 | | | | | | | |
| 4 | 2 | 28110-100120 | SPANNER, 10X12 | 1 | | | | | | | |
| 5 | 2 | 28110-140170 | SPANNER, 14X17 | 1 | | | | | | | |
| 6 | 2 | 28110-190220 | SPANNER, 19X22 | 1 | | | | | | | |
| 7 | 2 | 28210-000140 | OILER | 1 | | | | | | | |
| 8 | 1 | 129400-92400 | FLEX HORN | 1 | | | | | | | 1 |

Remarks
(1) OPTIONAL PART.

Fig.21. GASKET SET



(A)=3TN66L-UGHCH

(B)=

(C)=

(D)=

(E)=

(F)=

| No. | Lev. | Parts No. | Description | Q'ty | | | | | | I | R |
|------|------|--------------|--------------------|------|-----|-----|-----|-----|-----|---|---|
| | | | | (A) | (B) | (C) | (D) | (E) | (F) | | |
| 1 | 1 | 719248-92600 | GASKET SET | 1 | | | | | | | |
| 1-1 | 1 | 719248-92601 | GASKET SET | 1 | | | | | | | N |
| | | (A=EXXX) | | | | | | | | | |
| 2 | 2 | 119621-11960 | GASKET | 1 | | | | | | | |
| 3 | 2 | 119225-01340 | GASKET, HEAD | 1 | | | | | | | |
| 4 | 2 | 119660-01561 | GASKET | 1 | | | | | | | |
| 4-1 | 2 | 119660-01562 | GASKET | 1 | | | | | | | N |
| | | (A=EXXX) | | | | | | | | | |
| 5 | 2 | 121420-01760 | O-RING | 2 | | | | | | | |
| 5-1 | 2 | 24311-000320 | O-RING, 1AP32.0 | 2 | | | | | | | N |
| | | (A=E15870) | | | | | | | | | |
| 6 | 2 | 121520-01850 | GASKET | 1 | | | | | | | |
| 6-1 | 2 | 121520-01851 | GASKET | 1 | | | | | | | N |
| | | (A=EXXX) | | | | | | | | | |
| 7 | 2 | 119260-03030 | GASKET | 1 | | | | | | | |
| 7-1 | 2 | 119260-03031 | GASKET | 1 | | | | | | | N |
| | | (A=E24788) | | | | | | | | | |
| 8 | 2 | 119260-11310 | GASKET, BONNET | 1 | | | | | | | |
| 9 | 2 | 119260-11340 | SEAL, VALVE STEM | 6 | | | | | | | |
| 10 | 2 | 119600-11450 | PROTECTOR, NOZZLE | 3 | | | | | | | |
| 11 | 2 | 119600-11460 | GASKET, NOZZLE | 6 | | | | | | | |
| 12 | 2 | 119260-12110 | GASKET, MANIFOLD | 1 | | | | | | | |
| 12-1 | 2 | 119260-12111 | GASKET, MANIFOLD | 1 | | | | | | | N |
| | | (A=E24788) | | | | | | | | | |
| 13 | 2 | 119260-13110 | GASKET | 1 | | | | | | | |
| 14 | 2 | 124450-11900 | GASKET | 1 | | | | | | | |
| 15 | 2 | 119660-32020 | GASKET, PUMP | 1 | | | | | | | |
| 16 | 2 | 124450-35110 | O-RING | 1 | | | | | | | |
| 17 | 2 | 119260-42020 | GASKET, WATER PUMP | 1 | | | | | | | |
| 18 | 2 | 119660-61051 | GASKET | 1 | | | | | | | |
| 18-1 | 2 | 119660-61052 | GASKET | 1 | | | | | | | N |
| | | (A=E24398) | | | | | | | | | |

Parts No. Index

| Parts No. | Fig. No. | Ref. No. |
|--------------|----------|----------|
| 101720-55750 | 15 | 6 |
| | | 31 |
| 103854-32050 | 15 | 27 |
| 104200-59170 | 15 | 13 |
| 104200-92350 | 20 | 2 |
| 104200-92600 | 20 | 3 |
| 104500-55710 | 15 | 4 |
| 104514-42780 | 13 | 5 |
| 105010-11230 | 6 | 22 |
| | | 25 |
| 105225-22400 | 11 | 4 |
| 105546-51330 | 14 | 8 |
| 105582-59150 | 15 | 36 |
| 106500-44870 | 17 | 2 |
| 110250-55610 | 15 | 3 |
| | | 26 |
| 114250-11120 | 6 | 7 |
| 114250-11180 | 6 | 8 |
| 114250-11190 | 6 | 9 |
| 114250-53130 | 14 | 31 |
| 114250-53400 | 14 | 33 |
| 119136-12600 | 7 | 11 -1 |
| 119225-01340 | 21 | 3 |
| 119225-14200 | 9 | 7 |
| 119225-35300 | 12 | 8 |
| 119225-51100 | 14 | 2 |
| 119225-51300 | 14 | 7 |
| 119225-59810 | 14 | 38 |
| 119248-01770 | 4 | 1 -1 |
| 119248-49010 | 13 | 28 |
| 119248-49530 | 13 | 17 |
| 119248-55610 | 15 | 10 |
| 119248-59520 | 15 | 14 |
| 119248-59521 | 15 | 14 -1 |
| 119248-59550 | 14 | 41 |
| 119248-59560 | 14 | 42 |
| 119248-66510 | 16 | 37 |
| 119248-66900 | 17 | 1 |
| 119255-01340 | 1 | 15 |
| 119260-01200 | 1 | 14 |
| 119260-01490 | 2 | 1 |
| 119260-01510 | 2 | 2 |
| 119260-01590 | 2 | 9 |
| 119260-02020 | 1 | 8 |
| 119260-02410 | 1 | 11 |
| 119260-02800 | 1 | 9 |
| 119260-02930 | 1 | 10 |
| 119260-03020 | 5 | 4 |
| 119260-03030 | 5 | 5 |
| | 21 | 7 |

| Parts No. | Fig. No. | Ref. No. |
|--------------|----------|----------|
| 119260-03031 | 5 | 5 -1 |
| | 21 | 7 -1 |
| 119260-07900 | 6 | 32 |
| 119260-11100 | 6 | 5 |
| 119260-11110 | 6 | 6 |
| 119260-11200 | 6 | 19 |
| 119260-11240 | 6 | 20 |
| 119260-11260 | 6 | 27 |
| 119260-11270 | 6 | 28 |
| 119260-11280 | 6 | 29 |
| 119260-11310 | 5 | 8 |
| | 21 | 8 |
| 119260-11330 | 5 | 1 -1 |
| 119260-11340 | 6 | 10 |
| | 21 | 9 |
| 119260-11370 | 6 | 11 |
| 119260-11800 | 6 | 35 |
| 119260-12110 | 8 | 2 |
| | 21 | 12 |
| 119260-12111 | 8 | 2 -1 |
| | 21 | 12 -1 |
| 119260-13100 | 8 | 5 |
| 119260-13110 | 8 | 6 |
| | 21 | 13 |
| 119260-14100 | 9 | 2 |
| 119260-14200 | 9 | 3 |
| 119260-14400 | 9 | 4 |
| 119260-14580 | 9 | 1 |
| 119260-21200 | 10 | 2 |
| 119260-21650 | 10 | 8 |
| 119260-22300 | 11 | 3 |
| 119260-23200 | 11 | 8 |
| 119260-23910 | 11 | 10 |
| 119260-25100 | 9 | 15 |
| 119260-25900 | 9 | 8 A |
| | | 19 |
| 119260-32000 | 12 | 1 |
| 119260-35081 | 12 | 10 |
| 119260-42000 | 13 | 1 |
| 119260-42001 | 13 | 1 -1 |
| 119260-42020 | 13 | 2 |
| | 21 | 17 |
| 119260-44500 | 13 | 25 |
| 119260-49800 | 13 | 18 |
| 119260-59820 | 14 | 39 |
| 119260-59830 | 14 | 40 |
| 119260-66010 | 16 | 34 |
| 119260-66540 | 16 | 41 |
| 119260-66720 | 16 | 52 |
| 119270-22090 | 11 | 1 |

| Parts No. | Fig. No. | Ref. No. |
|--------------|----------|----------|
| 119270-22091 | 11 | 1 -1 |
| 119280-49020 | 13 | 29 |
| 119288-12050 | 7 | 1 |
| 119288-12100 | 8 | 1 |
| 119288-12590 | 7 | 9 |
| 119288-44760 | 13 | 27 |
| 119454-01721 | 4 | 4 |
| 119462-12550 | 7 | 8 -1 |
| 119600-01600 | 3 | 2 |
| 119600-11450 | 6 | 16 |
| | 21 | 10 |
| 119600-11460 | 6 | 17 |
| | 21 | 11 |
| 119600-21580 | 10 | 6 |
| 119600-61100 | 16 | 4 |
| 119600-61500 | 16 | 18 |
| 119600-61540 | 16 | 21 |
| 119600-61650 | 16 | 22 |
| 119600-61900 | 16 | 27 |
| 119600-66681 | 16 | 38 |
| 119600-66840 | 16 | 47 |
| 119620-01620 | 3 | 6 |
| 119620-01750 | 3 | 4 |
| 119620-01800 | 2 | 5 |
| | | 9 B |
| 119620-01950 | 2 | 7 |
| 119620-02450 | 1 | 12 |
| | 9 | 2 A |
| 119620-11350 | 6 | 12 |
| 119620-21941 | 10 | 10 |
| 119620-25062 | 9 | 16 |
| 119620-42350 | 13 | 4 |
| 119620-51170 | 14 | 3 |
| 119620-51180 | 14 | 4 |
| 119620-51190 | 14 | 5 |
| 119620-51250 | 14 | 6 |
| 119620-51340 | 14 | 9 |
| 119620-51350 | 14 | 10 |
| 119620-51370 | 14 | 11 |
| 119620-51450 | 14 | 12 |
| 119620-51461 | 14 | 13 |
| 119620-51510 | 14 | 15 |
| 119620-51650 | 14 | 17 |
| 119620-51660 | 14 | 18 |
| 119620-51670 | 14 | 19 |
| 119620-51680 | 14 | 20 |
| 119620-51700 | 14 | 21 |
| 119620-53000 | 14 | 27 |
| 119620-53080 | 14 | 28 |
| 119620-53120 | 14 | 30 |

| Parts No. | Fig. No. | Ref. No. |
|--------------|----------|----------|
| 119620-53140 | 14 | 32 |
| 119620-59700 | 14 | 43 |
| 119620-77011 | 18 | 1 |
| 119620-77820 | 19 | 2 |
| 119621-11950 | 1 | 16 |
| 119621-11960 | 1 | 17 |
| | 21 | 2 |
| 119621-21680 | 10 | 9 |
| 119621-66051 | 16 | 35 |
| 119621-66091 | 16 | 29 |
| 119640-12580 | 7 | 10 |
| 119645-34800 | 12 | 4 |
| 119654-12550 | 7 | 8 |
| 119660-01551 | 2 | 16 |
| 119660-01561 | 2 | 17 |
| | 21 | 4 |
| 119660-01562 | 2 | 17 -1 |
| | 21 | 4 -1 |
| 119660-01570 | 2 | 18 |
| 119660-01640 | 3 | 7 |
| 119660-01821 | 9 | 6 |
| 119660-01911 | 2 | 6 |
| 119660-25022 | 9 | 13 |
| 119660-25052 | 9 | 14 |
| 119660-32020 | 12 | 2 |
| | 21 | 15 |
| 119660-35150 | 12 | 6 |
| 119660-51500 | 14 | 14 |
| 119660-51530 | 14 | 16 |
| 119660-61013 | 16 | 13 |
| 119660-61051 | 16 | 1 |
| | 21 | 18 |
| 119660-61052 | 16 | 1 -1 |
| | 21 | 18 -1 |
| 119660-61060 | 16 | 2 |
| 119660-61070 | 16 | 3 |
| 119660-61071 | 16 | 3 -1 |
| 119660-61121 | 16 | 14 |
| 119660-61140 | 16 | 14 A |
| 119660-61150 | 16 | 14 B |
| 119660-61300 | 16 | 5 |
| 119660-61341 | 16 | 6 |
| 119660-61460 | 16 | 15 |
| 119660-61491 | 16 | 17 |
| 119660-61901 | 16 | 28 |
| 119660-77330 | 13 | 13 |
| 119688-12500 | 7 | 3 |
| 119688-12540 | 7 | 5 |
| 119860-12510 | 7 | 4 |
| 119860-12550 | 7 | 6 |

Parts No. Index

| Parts No. | Fig. No. | Ref. No. |
|--------------|----------|----------|
| 119860-12560 | 7 | 7 |
| 119865-21600 | 10 | 7 |
| 121023-44740 | 13 | 6 |
| 121111-21501 | 10 | 5 |
| 121120-01620 | 3 | 3 |
| 121120-77930 | 18 | 15 |
| 121250-44901 | 13 | 21 |
| 121257-55720 | 15 | 33 |
| 121370-55730 | 15 | 5 |
| | | 25 |
| 121400-01640 | 4 | 2 |
| 121400-91140 | 19 | 6 |
| 121400-91251 | 19 | 8 |
| 121400-91271 | 19 | 9 |
| 121420-01760 | 2 | 20 |
| | 5 | 3 |
| | 21 | 5 |
| 121450-01560 | 2 | 3 |
| 121470-44900 | 4 | 5 |
| 121520-01850 | 2 | 22 |
| | 21 | 6 |
| 121520-01851 | 2 | 22 -1 |
| | 21 | 6 -1 |
| 121520-01860 | 2 | 23 |
| 121520-34810 | 12 | 5 |
| 121521-12400 | 7 | 2 |
| 121550-49111 | 1 | 20 |
| 121575-66830 | 16 | 46 |
| 121575-77900 | 17 | 3 |
| 121850-11860 | 6 | 2 |
| 124060-01050 | 1 | 2 |
| 124085-02220 | 3 | 8 |
| 124097-77900 | 1 | 19 -1 |
| 124160-01751 | 2 | 19 |
| | 5 | 11 |
| 124160-11360 | 5 | 9 |
| 124160-39450 | 12 | 15 |
| 124250-03640 | 16 | 36 |
| 124450-11900 | 8 | 4 |
| | 21 | 14 |
| 124450-35110 | 12 | 7 |
| | 21 | 16 |
| 124450-44590 | 13 | 26 |
| 124465-44950 | 4 | 3 |
| | 13 | 24 |
| 124550-66370 | 16 | 45 |
| 124550-77030 | 18 | 51 |
| 124764-12600 | 7 | 11 |
| 124772-66750 | 16 | 42 |
| 124790-52201 | 15 | 23 |

| Parts No. | Fig. No. | Ref. No. |
|--------------|----------|----------|
| 124790-55601 | 15 | 1 |
| 129100-01580 | 3 | 1 |
| | 10 | 4 |
| 129100-61930 | 16 | 40 |
| 129150-35350 | 12 | 9 |
| 129150-49080 | 13 | 31 |
| 129150-49090 | 13 | 32 |
| 129150-49100 | 13 | 30 |
| 129150-59120 | 14 | 35 |
| 129150-59130 | 14 | 36 |
| 129150-91400 | 2 | 25 |
| 129155-51280 | 16 | 12 |
| 129155-61480 | 16 | 16 |
| 129155-61530 | 16 | 20 |
| 129155-61590 | 16 | 53 |
| 129155-61830 | 14 | 34 |
| 129155-77801 | 19 | 1 |
| 129400-92400 | 20 | 8 |
| 135210-51900 | 15 | 2 |
| | | 29 |
| 135210-61090 | 16 | 44 |
| 171001-93100 | 20 | 1 |
| 171010-39040 | 12 | 13 |
| 171010-39080 | 12 | 18 |
| 171010-77850 | 19 | 3 |
| 171011-44301 | 13 | 10 |
| 171014-91101 | 19 | 5 |
| 171015-39100 | 12 | 14 |
| 171015-91200 | 12 | 19 |
| | 19 | 7 |
| 171081-55900 | 15 | 24 |
| 171081-55910 | 15 | 28 |
| 171081-59900 | 15 | 15 |
| 171081-59910 | 15 | 16 |
| 171081-59920 | 15 | 17 |
| 171083-13300 | 8 | 7 |
| 171353-44760 | 13 | 7 |
| 171375-39600 | 12 | 16 |
| 171375-44300 | 13 | 9 |
| 171375-44320 | 13 | 11 |
| 171375-44900 | 13 | 22 |
| 171375-44910 | 13 | 23 |
| 174307-51700 | 16 | 19 |
| 175300-91010 | 19 | 4 |
| 194440-51620 | 15 | 37 |
| 194990-22050 | 2 | 8 |
| | 16 | 33 |
| 22117-040000 | 16 | 23 |
| | | 23 -1 |
| 22137-040000 | 14 | 22 |

| Parts No. | Fig. No. | Ref. No. |
|--------------|----------|----------|
| 22217-040000 | 14 | 23 |
| 22217-050000 | 5 | 6 |
| 22242-000100 | 6 | 30 |
| 22242-000200 | 9 | 17 |
| 22272-000040 | 16 | 24 |
| 22351-020004 | 16 | 25 |
| 22351-030014 | 16 | 26 |
| 22351-040010 | 2 | 4 |
| | 16 | 7 |
| 22351-060012 | 6 | 18 |
| 22360-040000 | 16 | 30 |
| 22360-060000 | 16 | 8 |
| 22451-060000 | 16 | 48 |
| 22512-040120 | 9 | 2 B |
| | | 5 |
| | | 8 |
| | 10 | 3 |
| 23000-060000 | 7 | 12 |
| 23010-038000 | 13 | 33 |
| 23414-080012 | 15 | 7 |
| | | 22 |
| | | 32 |
| 23414-120000 | 15 | 18 |
| | | 34 |
| 23414-140000 | 14 | 44 |
| | 15 | 19 |
| 23414-170000 | 8 | 8 |
| 23418-060000 | 15 | 8 |
| | | 30 |
| 23857-060000 | 15 | 20 |
| | | 35 |
| 23871-020000 | 6 | 2 -1 |
| 23894-030002 | 8 | 9 |
| 24101-062034 | 9 | 9 |
| 24102-063034 | 9 | 8 B |
| | | 10 |
| 24190-080001 | 12 | 17 |
| 24190-090001 | 15 | 21 |
| 24311-000120 | 2 | 10 |
| | 5 | 10 |
| | 12 | 11 |
| 24311-000180 | 4 | 6 |
| 24311-000320 | 2 | 20 -1 |
| | 5 | 12 |
| | 21 | 5 -1 |
| 24311-240100 | 16 | 39 |
| 24321-000350 | 13 | 19 |
| 24341-000070 | 16 | 31 |
| 24341-000240 | 2 | 26 |
| 24341-000440 | 15 | 9 |

| Parts No. | Fig. No. | Ref. No. |
|--------------|----------|----------|
| 26013-060202 | 12 | 3 |
| 26013-080142 | 13 | 34 |
| 26014-080252 | 13 | 14 |
| 26022-040082 | 14 | 24 |
| 26106-060102 | 4 | 7 |
| | 16 | 32 |
| 26106-060122 | 1 | 13 |
| | 7 | 13 |
| | 9 | 18 |
| | 12 | 12 |
| | 15 | 11 |
| 26106-060162 | 2 | 11 |
| | | 24 |
| | | 27 |
| | 9 | 11 |
| 26106-060202 | 8 | 3 |
| 26106-060222 | 3 | 9 |
| 26106-060302 | 2 | 12 |
| 26106-060352 | 8 | 10 |
| | 13 | 8 |
| 26106-060402 | 2 | 13 |
| | 13 | 20 |
| 26106-060452 | 4 | 8 |
| 26106-060502 | 2 | 14 |
| 26106-060652 | 2 | 15 |
| 26106-060702 | 16 | 9 |
| 26106-060752 | 16 | 10 |
| | | 10 -1 |
| 26106-080142 | 6 | 33 |
| | | 34 |
| 26106-080162 | 7 | 14 |
| 26106-080182 | 13 | 15 |
| 26106-080452 | 6 | 31 |
| | 8 | 11 |
| | 13 | 3 |
| 26106-080952 | 8 | 12 |
| 26106-100162 | 15 | 12 |
| 26106-100352 | 13 | 16 |
| 26116-050102 | 16 | 11 |
| 26116-060304 | 16 | 49 |
| 26116-120252 | 18 | 50 |
| 26117-040088 | 17 | 4 |
| 26206-100252 | 3 | 5 |
| 26216-060402 | 6 | 14 |
| | 8 | 13 |
| 26366-060002 | 2 | 21 |
| | 6 | 15 |
| | 7 | 15 |
| | 8 | 14 |
| 26366-080002 | 6 | 13 |

Parts No. Index

| Parts No. | Fig. No. | Ref. No. |
|--------------|----------|----------|
| 26366-080002 | 13 | 35 |
| 26450-060202 | 12 | 3 -1 |
| 26450-080182 | 1 | 18 |
| 26557-050102 | 5 | 7 |
| 26587-040102 | 14 | 25 |
| 26587-080102 | 9 | 12 |
| 26706-100002 | 13 | 12 |
| 26756-060002 | 6 | 23 |
| | | 26 |
| | 16 | 50 |
| 27221-050080 | 6 | 3 |
| 27221-060100 | 1 | 3 |
| 27231-400000 | 1 | 4 |
| 27241-100000 | 1 | 5 |
| 27241-250000 | 1 | 6 |
| 27241-300000 | 1 | 7 |
| 27241-350000 | 6 | 4 |
| 27310-055001 | 6 | 9 -1 |
| 28110-100120 | 20 | 4 |
| 28110-140170 | 20 | 5 |
| 28110-190220 | 20 | 6 |
| 28210-000140 | 20 | 7 |
| 43400-500400 | 16 | 51 |
| 43400-500450 | 16 | 43 |
| 46150-504600 | 1 | 19 |
| 719225-51100 | 14 | 1 |
| 719248-01540 | 4 | 1 |
| 719248-01560 | 1 | 1 |
| 719248-92600 | 21 | 1 |
| 719248-92601 | 21 | 1 -1 |
| 719260-02870 | 1 | 21 |
| 719260-11520 | 5 | 1 |
| 719260-11650 | 6 | 21 |
| 719260-11660 | 6 | 24 |
| 719260-11700 | 6 | 1 |
| 719260-21700 | 10 | 1 |
| 719260-23100 | 11 | 7 |
| 719260-23600 | 11 | 9 |
| 719260-23610 | 11 | 11 |
| 719270-22500 | 11 | 2 |
| 719270-22501 | 11 | 2 -1 |
| 719270-22540 | 11 | 6 |
| 719270-22541 | 11 | 6 -1 |
| 719270-22820 | 11 | 5 |
| 719270-22821 | 11 | 5 -1 |
| 719620-53100 | 14 | 26 |
| X0280210230 | 18 | 8 |
| X0280630011 | 18 | 2 |
| X0281003751 | 18 | 3 |
| X0282001531 | 18 | 4 |

| Parts No. | Fig. No. | Ref. No. |
|-------------|----------|----------|
| X0283005050 | 18 | 7 |
| X0283060061 | 18 | 16 |
| X0283270140 | 18 | 9 |
| X0283711420 | 18 | 17 |
| X0283715030 | 18 | 10 |
| X0283810040 | 18 | 11 |
| X0284004910 | 18 | 18 |
| X0285040631 | 18 | 19 |
| X0285100460 | 18 | 20 |
| X0534006460 | 18 | 22 |
| X0534040320 | 18 | 23 |
| X0534490120 | 18 | 24 |
| | | 25 |
| X0534490230 | 18 | 26 |
| | | 27 |
| X0535050620 | 18 | 28 |
| X0535130241 | 18 | 29 |
| X0535130320 | 18 | 30 |
| X0536600401 | 18 | 31 |
| X9019008651 | 18 | 41 |
| X9025808001 | 18 | 42 |
| X9151005141 | 18 | 32 |
| X9490071810 | 18 | 43 |
| X9490071970 | 18 | 44 |
| X9490170900 | 18 | 33 |
| | | 34 |
| X9490200710 | 18 | 45 |
| X9490423330 | 18 | 46 -1 |
| X9490441303 | 18 | 35 |
| X9490441312 | 18 | 36 |
| X9490471500 | 18 | 46 |
| X9490502820 | 18 | 37 |
| | | 38 |
| X9490561370 | 18 | 47 |
| X9490721080 | 18 | 12 |
| X9491001360 | 18 | 5 |
| X9491001860 | 18 | 6 |
| X9491200240 | 18 | 48 |
| X9491402100 | 18 | 39 |
| | | 40 |
| X9491703371 | 18 | 13 |
| X9491703380 | 18 | 49 |
| X9491704260 | 18 | 14 |
| X9491730461 | 18 | 21 |

| Parts No. | Fig. No. | Ref. No. |
|-----------|----------|----------|
|-----------|----------|----------|

| Parts No. | Fig. No. | Ref. No. |
|-----------|----------|----------|
|-----------|----------|----------|