

0CD10-M39702EN

記載対象機種

The following models are described in the parts catalog.

機種名 Model	作業機メーカー Manufacturer's name	搭載商品名 Product equipped with the Model
4TNA82TL - RDGD	デンヨー(株) DENYO Co., Ltd.	発電溶接機 DCA20SPY

Directions for the Parts Catalog.

1. The parts stipulated in this Parts Catalog are not necessarily standard equipped parts.
2. Parts may change without prior notice.
3. The following is an example of the Parts Catalog format.

REF.	LEV.	PARTS NO.	DESCRIPTION	Q'TY						I	R
				(A)	(B)	(C)	(D)	(E)	(F)		
1	1	729595-51390	FUEL INJECTION PUMP	1	1	1	1	1			1
1-1	1	729595-51391	FUEL INJECTION PUMP	1	1	1	1	1		N	1
		(A=E00185) (B=E00200)									
3	2	26022-060162	SCREW M 6X 16	9	9	9	9	9			
3-1	2	26022-060162	SCREW M 6X 16	4	4	4	4	4		K	
		(A=E00156) (B=E00156) (C=E00156) (D=E00156) (E=E00156)									
4	2	129470-51040	CAMSHAFT	1	1	1	1	1			
5	2	122710-51050	BEARING, ROLLER	2	2	2	2	2			
6	2	129470-51060	RETAINER	1	1	1	1	1			

Remarks
(1) BOOST COMPEMSATOR TYPE. OPTIONAL PART, TO E00155,(4JH-DT, 4JH-DTZ

① Ref. No.

The Ref. No. listed may not be in accordance with the illustration Ref. No.

(Ex.) Illustration No.

List Ref No.

1

1

(Before change)

1-1

(After change)

For interchangeable symbols N, R and K, illustrations for new parts may be abbreviated.

② Lev. (Level)

Level indication

The numbers below indicate the level of relativity towards the main part.

1 ----- Main parts (Assembly parts)

2 ----- Sub component included in " 1 ".

3 ----- Sub component included in " 2 ".

Note) Parts that are not for sale are partially illustrated but not listed.

③ Interchangeability Mark

When a part change takes place, one of the following interchangeability symbols is indicated beside the part.

Symbol	Interchangeability	Contents note
N	Old $\begin{matrix} \leftarrow \text{Yes} \\ \text{No} \rightarrow \end{matrix}$ New	New Part is interchangeable for Old Part but Old Part is not interchangeable for New Part.
Q	Old $\begin{matrix} \leftarrow \text{No} \\ \text{Yes} \rightarrow \end{matrix}$ New	New Part is not interchangeable for Old Part but Old Part is interchangeable for New Part.
R	Old $\begin{matrix} \leftarrow \text{Yes} \\ \text{Yes} \rightarrow \end{matrix}$ New	New/ Old Parts are both interchangeable.
S	Old $\begin{matrix} \leftarrow \text{No} \\ \text{No} \rightarrow \end{matrix}$ New	New/ Old Parts are both not interchangeable.
W		Part newly added.
Z		Part discontinued.
F		Not interchangeable by a single part but interchangeable together with related parts.
K		Changes only for used parts quantities.

④ Effective Machine No.

When a part changes, the effective Machine No. will be indicated in the (A)-(F) column.

Product Symbol	Product No.	Product Symbol	Product No.
C	Clutch No. Compressor No.	F	Machine No. (Agricultural Equip.)
D	Drive No.	M	Machine No.
E	Engine No.		

Note 1) A date may follow the symbol. (Ex.) 1996.01

Note 2) "XXXXX" and "ZZZZZ" are for parts that could not be predicted or for engine models that could not be identified.

Note 3) (A=E00185) is the E (Engine Serial Number) for the column (A) model (in this case 4JH-DT) after the parts design change.

⑤ Remarks Mark

Figures or alphabets (symbols) are entered in the remarks column.

The comments (remarks) on parts that are indicated at the bottom of the illustration are the same symbols as those stated above.

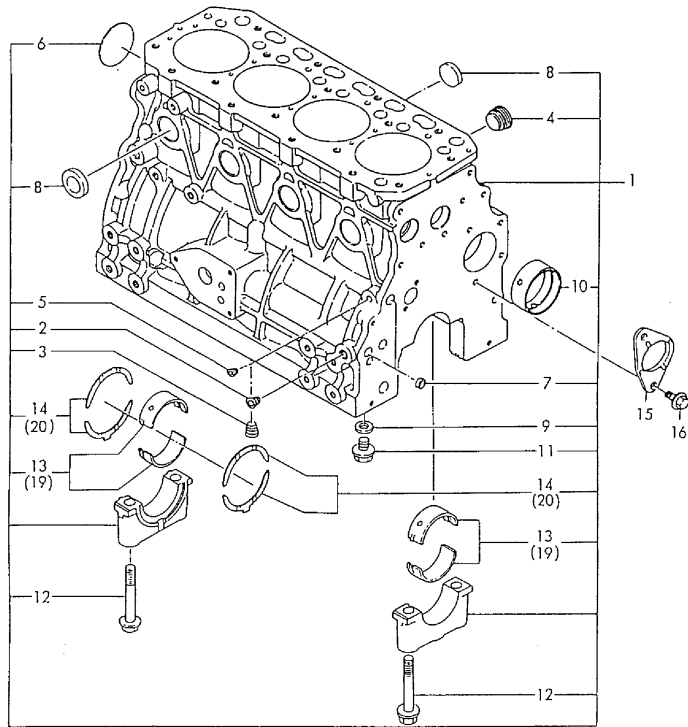
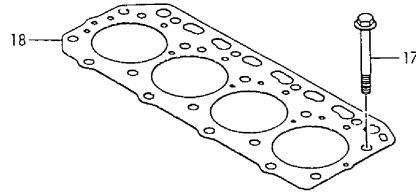
Contents

Fig. No.	Fig. Name	Fig. No.	Fig. Name
4TN82TL-RDGD			
1.	CYLINDER BLOCK		
2.	GEAR HOUSING		
3.	FLYWHEEL HOUSING & OIL SUMP		
4.	CYLINDER HEAD & BONNET		
5.	SUCTION MANIFOLD & AIR CLEANER		
6.	EXHAUST MANIFOLD		
7.	CAMSHAFT & DRIVING GEAR		
8.	TURBO-CHARGER		
9.	EXHAUST BEND		
10.	CRANKSHAFT & PISTON		
11.	LUB. OIL SYSTEM		
12.	LUB. OIL LINE		
13.	COOLING WATER SYSTEM		
14.	THERMOSTAT		
15.	FUEL INJECTION PUMP		
16.	FUEL INJECTION LINE		
17.	FUEL LINE		
18.	GOVERNOR		
19.	STARTING MOTOR		
20.	GENERATOR		
21.	ELECTRIC PART		
22.	TOOL		
23.	GASKET SET(OPTIONAL)		

Fig.1. CYLINDER BLOCK

Fig. 1 シリンダブロック
CYLINDER BLOCK

029402-01110
029100-01820
029550-02100
029129-02200



(A)=4TN82TL-RDGD

(B)=

(C)=

(D)=

(E)=

(F)=

No.	Lev.	Parts No.	Description	Q'ty						I	R
				(A)	(B)	(C)	(D)	(E)	(F)		
1	1	729402-01560	BLOCK ASSY, CYLINDER	1							
2	2	124160-01910	PLUG, PT1/4	2							
3	2	124160-01910	PLUG, PT1/4	1							
4	2	171051-01921	PLUG, NPTF1	1							
5	2	23871-010000	PLUG, R01	1							
6	2	27231-500000	PLUG 50	1							
7	2	27241-120000	PLUG, 12	2							
8	2	27241-300000	PLUG 30	8							
9	2	23414-080000	GASKET, 8X1.0	4							
10	2	129795-02411	BUSH, CAMSHAFT	1							
11	2	26106-080122	BOLT, M8X 12 PLATED	4							
12	2	129150-02020	BOLT, METAL CAP	10							
13	2	129150-02800	BEARING, MAIN	5							
14	2	129150-02930	BEARING, THRUST	2							
15	1	129150-02450	BEARING, THRUST	1							Z
(A=EXXX)											
16	1	26106-080162	BOLT, M8X 16 PLATED	2							
17	1	129150-01200	BOLT, HEAD	18							
18	1	129402-01321	GASKET, HEAD	1							\$
19	1	129150-02870	BEARING, 0.25 US	5							1
20	1	129150-02940	BEARING, THRUST 0.25	1							2

Remarks

(1) UNDER-SIZE PART.

(2) OVER-SIZE PART.

(3) THESE PARTS ARE SOLD BY FIG.23,
REF.NO.1,1-1.

Fig.2. GEAR HOUSING

(A)=4TN82TL-RDGD

(B)=

(C)=

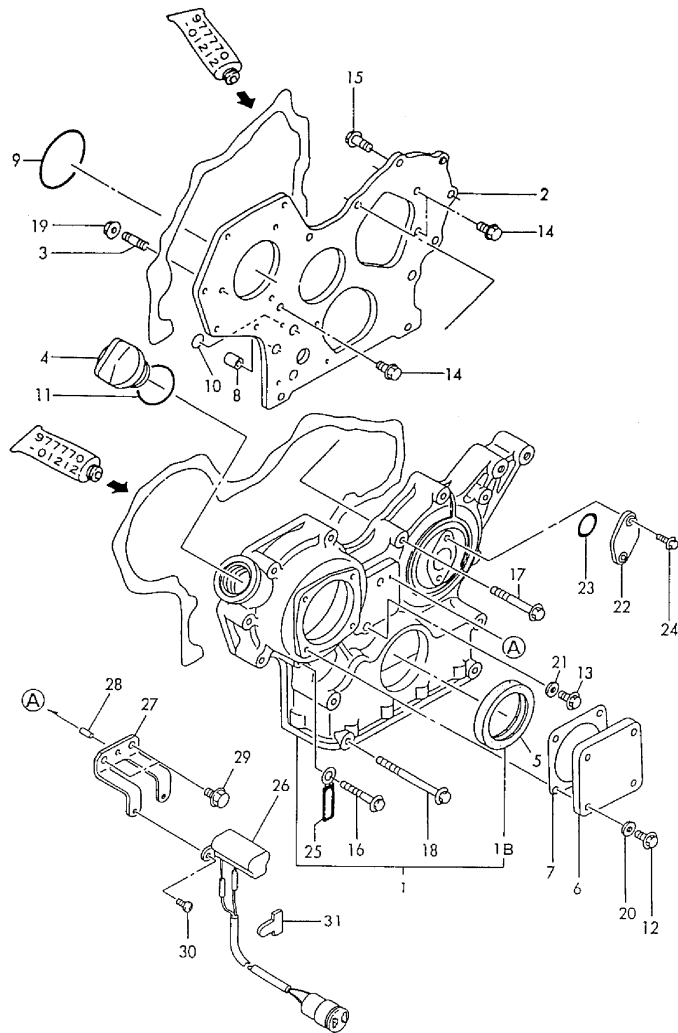
(D)=

(E)=

(F)=

Fig.2 ギヤケース
GEAR HOUSING

D29400-01220
D29100-01810
D29116-78500



No.	Lev.	Parts No.	Description	Q'ty						I	R
				(A)	(B)	(C)	(D)	(E)	(F)		
1	1	719810-01500 (A=E02466)	CASE ASSY, GEAR	1							W
1B	2	129795-01800 (A=E02466)	SEAL, OIL	1							W
2	1	129400-01520	FLANGE, GEAR CASE	1							
3	1	121450-01560	STUD, M8X22	3							
4	1	124160-01751	COVER, FILLER	1							
5	1	129795-01800 (A=E02466)	SEAL, OIL	1							Z
6	1	124240-01871	COVER	1							
7	1	124240-01882	GASKET	1							\$
7-1	1	124240-01883 (A=E01622)	GASKET	1							N \$
7-2	1	124240-01883	GASKET	1							
8	1	129795-01950	PIPE, KNOCK L=18	2							
9	1	121850-51960	O-RING	1							\$
10	1	24311-000160	O-RING, 1AP16.0	2							\$
11	1	24311-000320	O-RING, 1AP32.0	1							\$
12	1	26106-080122	BOLT, M8X 12 PLATED	4							
13	1	26106-080162	BOLT, M8X 16 PLATED	1							
14	1	26106-080162	BOLT, M8X 16 PLATED	3							
15	1	26106-080202	BOLT, M8X 20 PLATED	2							
16	1	26106-080452	BOLT, M8X 45 PLATED	6							
17	1	26106-080552	BOLT, M8X 55 PLATED	3							
18	1	26106-080852	BOLT, M8X 85 PLATED	4							
19	1	26366-080002	NUT, M8	3							
20	1	43400-500410	SEAL WASHER 8	4							
21	1	43400-500410	SEAL WASHER 8	1							
22	1	121023-01550	COVER	1							
23	1	24311-000260	O-RING, 1AP26.0	1							
23-1	1	24341-000240 (A=E01239)	O-RING, 1AS24.0	1							N
24	1	26106-060122	BOLT, M6X 12 PLATED	2							
25	1	194180-51640	CLAMP, HARNESS	1							
26	1	119649-78500	PULSAR	1							
27	1	129116-78510	BRACKET, PULSAR	1							
28	1	22351-040010	PIN, SPRING 4.0X10	1							
29	1	26116-060122	BOLT, M6X 12 PLATED	2							
30	1	26557-040082	SCREW, M4X 8	2							
31	1	172010-08160 (A=E01239)	STICKER, WIRE	1							W

Remarks

(S) THESE PARTS ARE SOLD BY FIG.23,
REF.NO.1,1-1.

Fig.3. FLYWHEEL HOUSING & OIL SUMP

(A)=4TN82TL-RDGD

(B)=

(C)=

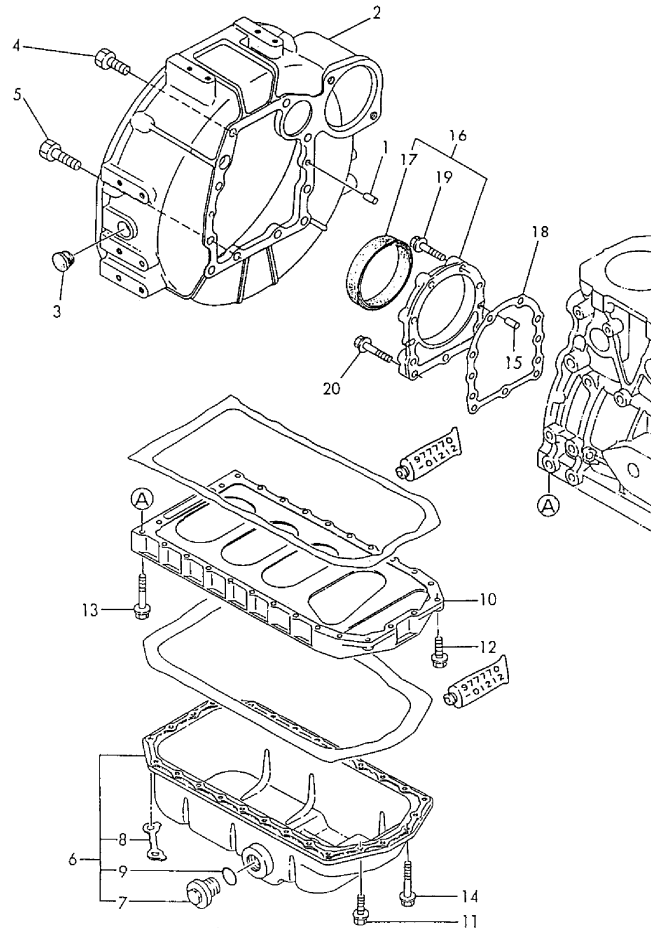
(D)=

(E)=

(F)=

Fig. 3 フライホイールハウジング&オイルパン
FLYWHEEL HOUSING & LUB. OIL SUMP

D29100-01300
D29400-01410
D29100-01510



No.	Lev.	Parts No.	Description	Q'ty						I	R
				(A)	(B)	(C)	(D)	(E)	(F)		
1	1	129100-01580	PIN, M8X16	2							
2	1	171420-01600	HOUSING, FLYWHEEL	1							
3	1	119620-01750	CAP	1							
4	1	26206-100252	BOLT, M10X 25 PLATED	6							
5	1	26206-100302	BOLT, M10X 30 PLATED	4							
6	1	729400-01541	SUMP ASSY, OIL	1							
6-1	1	129400-01770	SUMP ASSY, OIL	1							N
(A=*1990.)											
7	2	171301-01640	PLUG, 22	1							
8	2	129100-01790	RETAINER	2							
9	2	24341-000240	O-RING, 1AS24.0	1							
10	1	129400-01730	SPACER, OIL SUMP	1							
11	1	26106-080162	BOLT, M8X 16 PLATED	4							
12	1	26106-080252	BOLT, M8X 25 PLATED	2							
13	1	26106-080452	BOLT, M8X 45 PLATED	20							
14	1	26106-080502	BOLT, M8X 50 PLATED	4							
15	1	129100-01580	PIN, M8X16	2							
16	1	129100-01640	CASE ASSY, OIL SEAL	1							W
(A=E01739)											
17	2	129795-01780	SEAL, OIL	1							
18	1	129150-01660	GASKET	1							Z \$
(A=*1988.)											
19	1	26106-080302	BOLT, M8X 30 PLATED	6							
20	1	26106-080352	BOLT, M8X 35 PLATED	3							

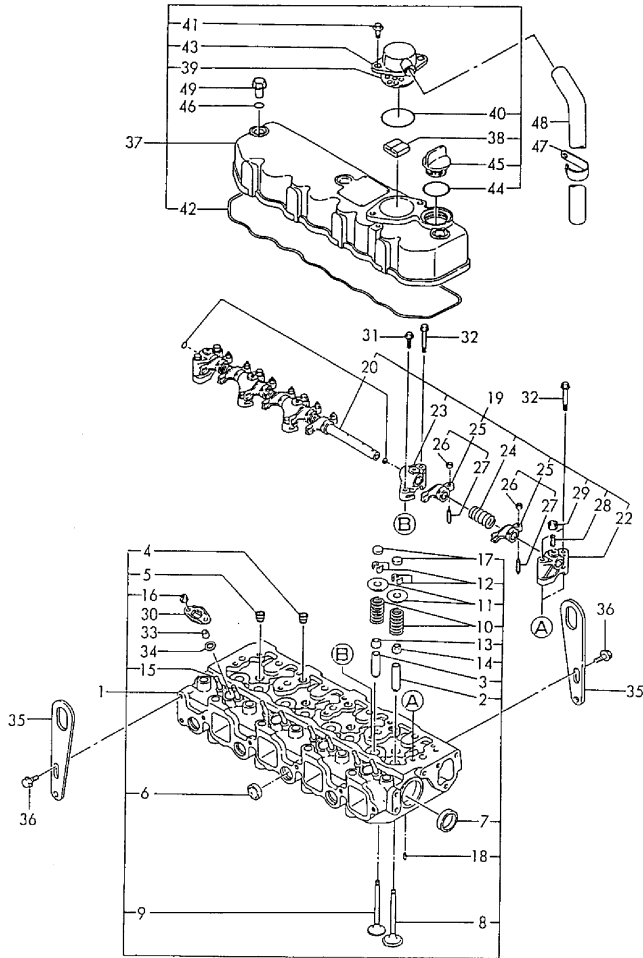
Remarks

(S) THESE PARTS ARE SOLD BY FIG.23,
REF.NO.1,1-1.

Fig.4. CYLINDER HEAD & BONNET

Fig.4 シリンダヘッド&ベンワンシツ
CYLINDER HEAD & BONNET

U71350-03120
D21000-07300
D29404-11100
D29400-11220



(A)=4TN82TL-RDGD

(B)=

(C)=

(D)=

(E)=

(F)=

No.	Lev.	Parts No.	Description	Q'ty						I	R
				(A)	(B)	(C)	(D)	(E)	(F)		
1	1	729402-11700	HEAD ASSY, CYLINDER	1							
2	2	120130-11860	GUIDE, VALVE	4							1
3	2	129150-11810	GUIDE, VALVE	4							1
4	2	121850-11860	PLUG, PT1/4	3							
5	2	23871-030000	PLUG, R03	4							
6	2	27241-220000	PLUG, 22	4							
7	2	27241-400000	PLUG, 40	2							
8	2	129100-11100	VALVE, INTAKE	4							
9	2	129100-11130	VALVE, EXHAUST	4							
10	2	129795-11120	SPRING, VALVE	8							
11	2	129795-11180	RETAINER, SPRING	8							
12	2	103338-11190	COTTER	8							
12-1	2	27310-080001	COTTER, 8	8							R
(A=EXXXXX)											
13	2	121400-11340	SEAL, VALVE STEM	4							\$
14	2	124460-11340	SEAL, VALVE STEM	4							\$
15	2	26216-060202	STUD, M6X 20	8							
16	2	26366-060002	NUT, M6	8							
17	2	129150-11370	CAP, VALVE	8							
18	2	22351-060012	PIN, SPRING 6.0X12	2							
19	1	129555-11241	SHAFT ASSY, ROCKER	1							
19-1	1	129500-11240	SHAFT ASSY, ROCKER	1							N
(A=E02027)											
20	2	129550-11290	SHAFT, ROCKER ARM	1							
22	2	129155-11260	SUPPORT, ROCKER ARM	2							
23	2	129155-11270	SUPPORT, ROCKER ARM	3							
24	2	129150-11280	SPRING	4							
25	2	729150-11650	ARM ASSY, ROCKER	8							
25-1	2	129100-11650	ARM, ROCKER	8							N
(A=E02027)											
26	3	129150-11750	NUT, M8	8							
27	3	129150-11230	SCREW, VALVE ADJUST	8							
28	2	26226-080182	STUD, M8X 18	3							
29	2	26756-080002	NUT, LOCK M8	3							
30	1	119625-11900	RETAINER, NOZZLE	4							
31	1	26106-080252	BOLT, M8X 25 PLATED	3							
32	1	26106-080502	BOLT, M8X 50 PLATED	7							
33	1	119625-11870	PROTECTOR, NOZZLE	4							\$
34	1	119625-11880	SEAT, NOZZLE	4							\$
35	1	124736-07900	LIFTER	2							
36	1	26106-080142	BOLT, M8X 14 PLATED	4							
37	1	729403-11520	BONNET ASSY, HEAD	1							
37-1	1	129400-11350	BONNET ASSY, HEAD	1							N
(A=EXXX)											
38	2	129150-03070	BAFFLE, BREATHER	1							
39	2	129150-03080	PLATE, BAFFLE	1							
40	2	24341-000500	O-RING, 1AS50.0	1							\$
41	2	26106-080162	BOLT, M8X 16 PLATED	2							
42	2	129550-11310	GASKET, BONNET	1							\$
43	2	129150-03020	COVER, BREATHER	1							
44	2	24311-000320	O-RING, 1AP32.0	1							\$

Remarks

(1) REPAIR PARTS.

(\$) THESE PARTS ARE SOLD BY FIG.23,

REF.NO.1,1-1.

N:Old $\frac{Yes}{No}$ New, Q:Old $\frac{No}{Yes}$ New, R:Old $\frac{Yes}{Yes}$ New, S:Old $\frac{No}{No}$ New, W:Add, Z:Discontinued, F:Interchangeable by set, K:Q'ty Change

++ CONTINUE ++

Copyright (C) YANMAR CO., LTD. All Rights Reserved.

Fig.4. CYLINDER HEAD & BONNET

(A)=4TN82TL-RDGD

(B)=

(C)=

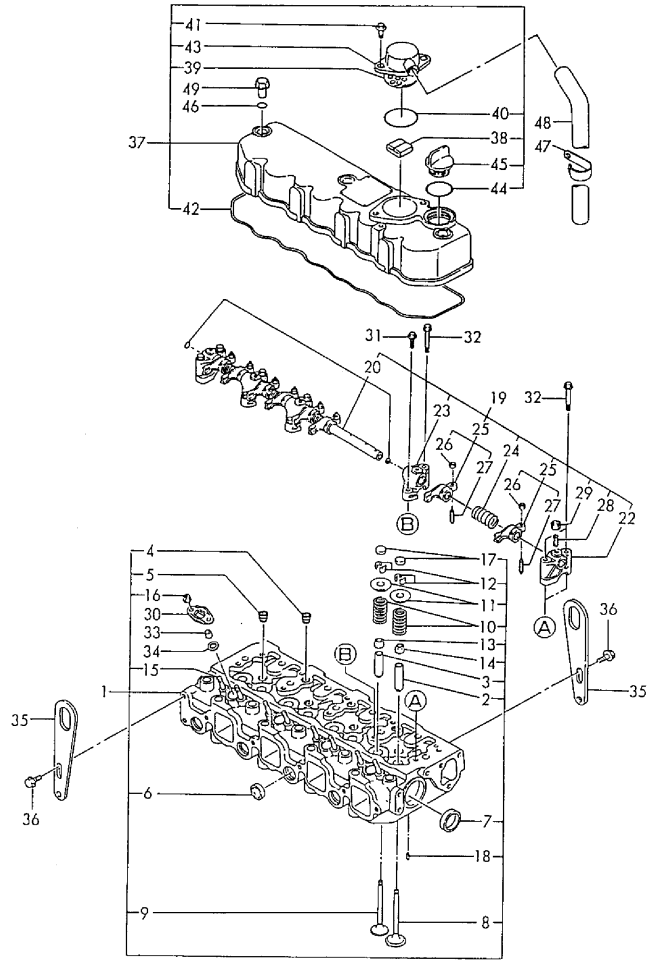
(D)=

(E)=

(F)=

Fig.4 シリンダヘッド&ベンワンシツ
CYLINDER HEAD & BONNET

U71350-03120
D21000-07300
D29404-11100
D29400-11220

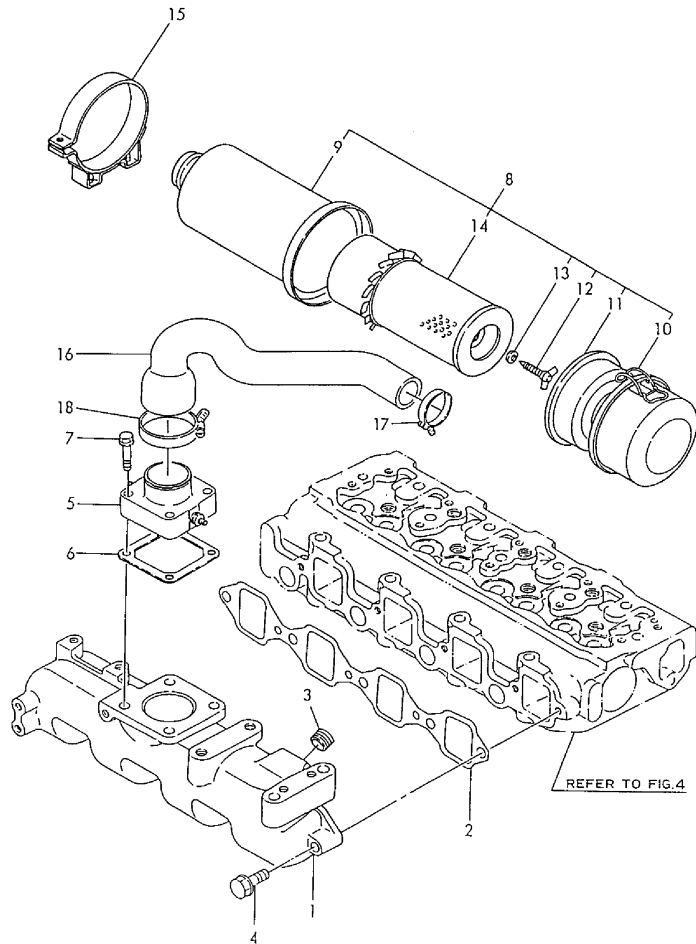


No.	Lev.	Parts No.	Description	Q'ty						I	R
				(A)	(B)	(C)	(D)	(E)	(F)		
45	2	124160-01751	COVER, FILLER	1							
46	1	24311-000120	O-RING, 1AP12.0	3							\$
47	1	129150-03100	RETAINER, PIPE	1							
48	1	171350-03090	PIPE, BREATHER 900	1							
49	1	124160-11360	KNOB	3							

Remarks
(1) REPAIR PARTS.
(\$) THESE PARTS ARE SOLD BY FIG.23,
REF.NO.1,1-1.

Fig.5. SUCTION MANIFOLD & AIR CLEANER

Fig. 5 キュウキマニホールド & エアクリーナ
 SUC. MANIFOLD & AIR CLEANER
 D29400-12100
 D29403-12300
 D29100-77501
 D29416-93110



(A)=4TN82TL-RDGD

(B)=

(C)=

(D)=

(E)=

(F)=

No.	Lev.	Parts No.	Description	Q'ty						I	R
				(A)	(B)	(C)	(D)	(E)	(F)		
1	1	129400-12100	MANIFOLD, AIR INTAKE	1							
2	1	129550-12110	GASKET, MANIFOLD	1							\$
2-1	1	129550-12111	GASKET, MANIFOLD	1						N	\$
(A=E01795)											
3	1	23871-030000	PLUG, R03	1							
4	1	26106-080352	BOLT, M8X 35 PLATED	5							
5	1	129120-77501	HEATER	1							
6	1	129150-77510	GASKET	1							\$
6-1	1	129150-77511	GASKET	1						N	\$
(A=E01795)											
7	1	26106-080352	BOLT, M8X 35 PLATED	4							
8	1	121252-12501	CLEANER ASSY, AIR	1							
9	2	121252-12521	BODY, AIR CLEANER	1							
10	2	121120-12531	PAN, DUST	1							
11	2	121120-12541	RETAINER, ELEMENT	1							
12	2	121120-12561	BOLT	1							
13	2	121120-12571	WASHER, SEAL	1							
14	2	121120-12901	ELEMENT	1							
15	1	171002-12560	BAND, AIR CLEANER	1							
16	1	129403-12080	PIPE, AIR INTAKE	1							
17	1	23000-054000	CLAMP, 54	1							
18	1	23000-060000	CLAMP, 60	1							

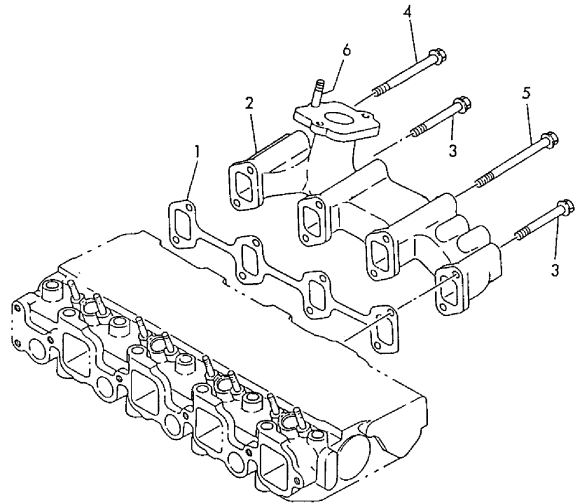
Remarks

(S) THESE PARTS ARE SOLD BY FIG.23,
 REF.NO.1,1-1.

Fig.6. EXHAUST MANIFOLD

Fig.6 ハイキマニホールド
EXHAUST MANIFOLD

D29403-13130TX



(A)=4TN82TL-RDGD

(B)=

(C)=

(D)=

(E)=

(F)=

No.	Lev.	Parts No.	Description	Q'ty						I	R
				(A)	(B)	(C)	(D)	(E)	(F)		
1	1	129550-13110	GASKET	1							\$
2	1	129403-13130	MANIFOLD, EXHAUST	1							
3	1	26106-080652	BOLT, M8X 65 PLATED	3							
4	1	26106-080852	BOLT, M8X 85 PLATED	1							
5	1	26106-081002	BOLT, M8X100 PLATED	4							
6	1	26216-080222	STUD, M8X 22	3							

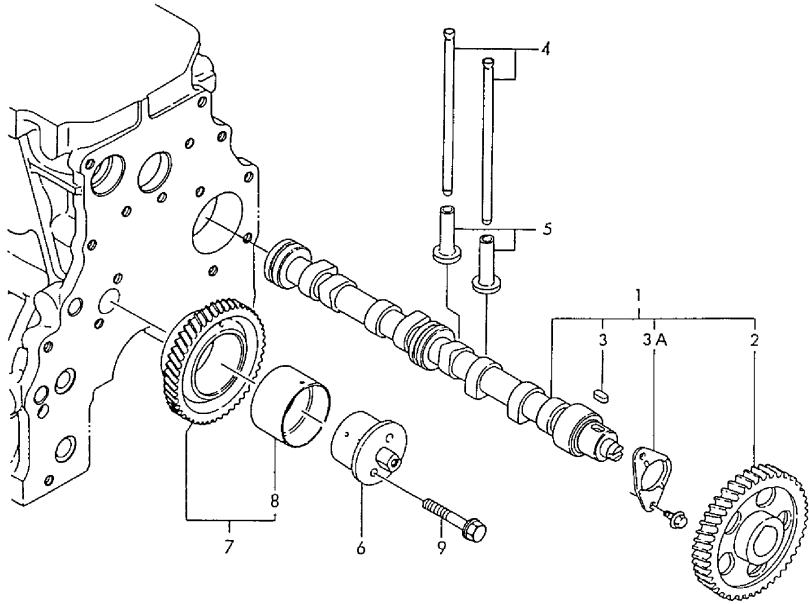
Remarks

(\$) THESE PARTS ARE SOLD BY FIG.23,
REF.NO.1,1-1.

Fig.7. CAMSHAFT & DRIVING GEAR

Fig.7 カムシャフト & クドウギヤ
CAMSHAFT & DRIVING GEAR

029400-14110
029100-25101



(A)=4TN82TL-RDGD
(B)=
(C)=

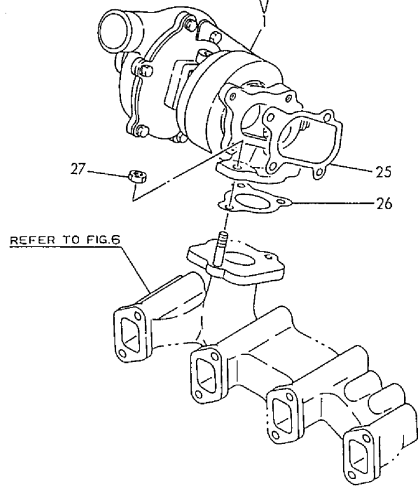
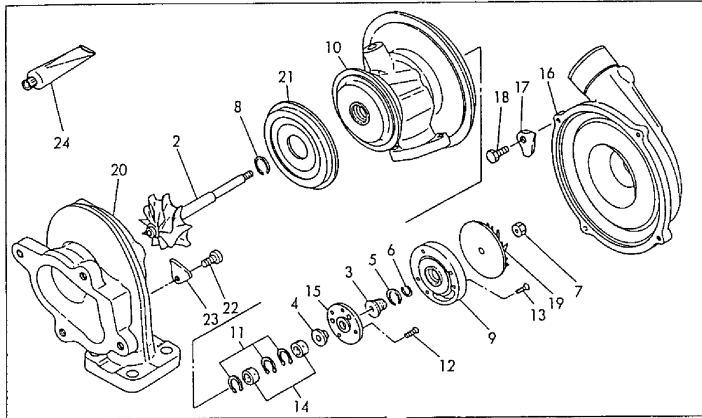
(D)=
(E)=
(F)=

No.	Lev.	Parts No.	Description	Q'ty						I	R
				(A)	(B)	(C)	(D)	(E)	(F)		
1	1	729402-14580 (A=EXXX)	CAMSHAFT ASSY	1							W
2	2	129150-14101	GEAR, CAMSHAFT	1							
3	2	22512-070140	KEY, 7X 14	1							
3A	2	129150-02450 (A=EXXX)	BEARING, THRUST	1							W
4	1	129150-14400	ROD, PUSH L=178	8							
5	1	129150-14200	TAPPET	8							
6	1	129100-25061	SHAFT, IDLE	1							
7	1	129150-25101	GEAR ASSY, IDLE	1							
9	1	26106-080452	BOLT, M8X 45 PLATED	2							

Fig.8. TURBO-CHARGER

Fig.8 タービン
TURBOCHARGER

D29404-18100



(A)=4TN82TL-RDGD

(B)=

(C)=

(D)=

(E)=

(F)=

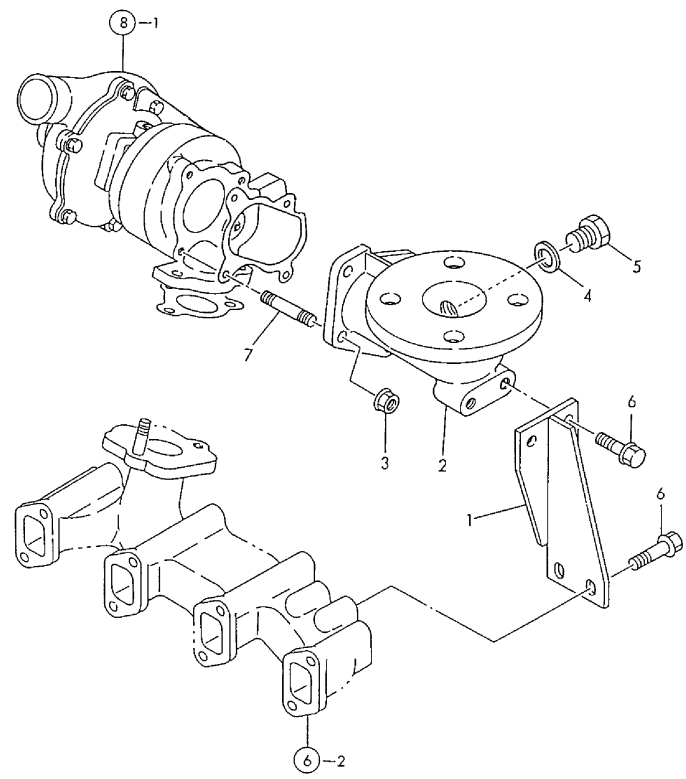
No.	Lev.	Parts No.	Description	Q'ty						I	R
				(A)	(B)	(C)	(D)	(E)	(F)		
1	1	129404-18010	TURBINE, RHB31	1							
2	2	XNB131002	SHAFT	1							
3	2	XNB131005	OIL DRIP	1							
4	2	XNB131006	THRUST BUSH	1							
5	2	XNB131008	SEAL RING,BLOW.SIDE	1							
6	2	XNB131009	SEAL RING,BLOW.SIDE	1							
7	2	XNB131010	NUT	1							
8	2	XNB131007	SEAL RING	1							
9	2	XNB133001	SEAL PLATE	1							
10	2	XNB133215	HOUSING, BEARING	1							
11	2	XNB133204	CIRCLIP	3							
12	2	XNB133206	SCREW	2							
13	2	XNB133207	SCREW	2							
14	2	XNB133521	METAL, FLOATING	2							
15	2	XNB133512	THRUST METAL	1							
16	2	XNB134113	HOUSING, BLOWER	1							
17	2	XNB134035	RETAINER	1							
18	2	XNB134007	BOLT M 5	4							
19	2	XNB135102	WHEEL	1							
20	2	XNB137303	HOUSING, TURBINE	1							
21	2	XNB137143	HEAT PROTECTOR	1							
22	2	XNN196103	BOLT	4							
23	2	XNB137194	RETAINER	2							
24	2	XNN193653	GASKET, RIQUID	1							
25	1	129403-18090	GASKET	1							\$
26	1	129477-18100	GASKET	1							\$
27	1	26716-080002	NUT, M8	3							
27-1	1	194990-22050	NUT, M8	3							N
			(A=E01622)								

Remarks

(\$) THESE PARTS ARE SOLD BY FIG.23,
REF.NO.1,1-1.

Fig.9. EXHAUST BEND

Fig.9 ハイキベンド
EXHAUST BEND 029412-18300TK



(A)=4TN82TL-RDGD
(B)=
(C)=

(D)=
(E)=
(F)=

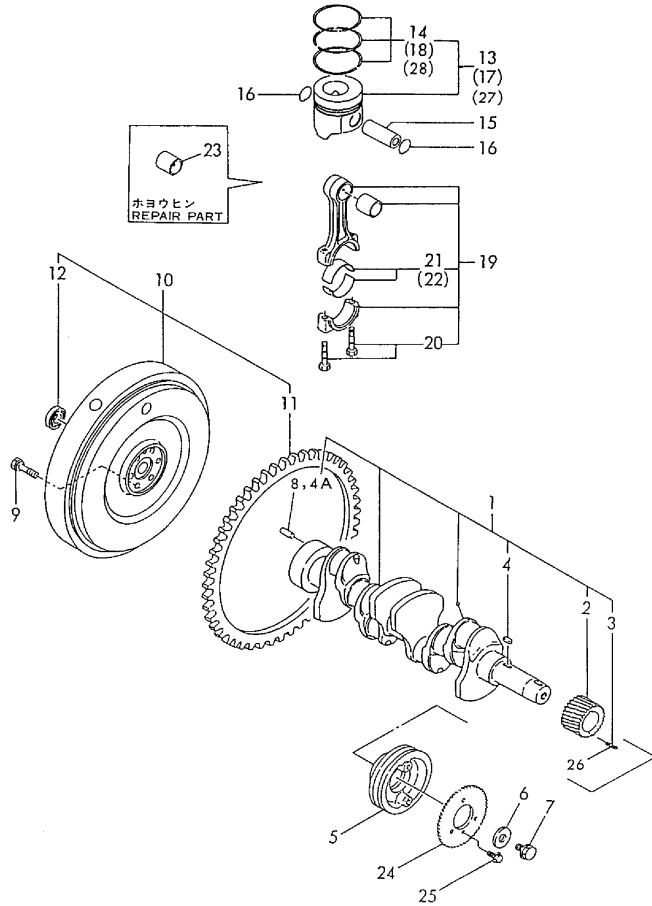
No.	Lev.	Parts No.	Description	Q'ty						I	R
				(A)	(B)	(C)	(D)	(E)	(F)		
1	1	129412-18290	SUPPORT	1							
2	1	129412-18380	BEND, EXHAUST	1							
3	1	194990-22050	NUT, M8	4							
4	1	23414-170000	GASKET, 17X1.0	1							\$
5	1	23894-030002	PLUG, G3/8	1							
6	1	26106-080142	BOLT, M8X 14 PLATED	4							
7	1	26216-080222	STUD, M8X 22	4							

Remarks
(\$) THESE PARTS ARE SOLD BY FIG.23,
REF.NO.1,1-1.

Fig.10. CRANKSHAFT & PISTON

Fig. 10 クランクシャフト & ピストン
CRANKSHAFT & PISTON

D29400-21100
D29400-21210
D29416-21300
D29402-22100
D29150-23100
D29416-76600



No.	Lev.	Parts No.	Description	Q'ty						I	R
				(A)	(B)	(C)	(D)	(E)	(F)		
1	1	729400-21700	CRANKSHAFT ASSY	1							
2	2	129150-21200	GEAR, CRANKSHAFT	1							
3	2	22351-040010	PIN, SPRING 4.0X10	1							Z
(A=EXXX)											
4	2	22512-070140	KEY, 7X 14	1							
4A	2	129100-01580	PIN, M8X16	1							W
(A=*1990.)											
5	1	129550-21650	V-PULLEY	1							
6	1	129795-21661	WASHER	1							
7	1	121850-21680	BOLT	1							
8	1	129100-01580	PIN, M8X16	1							Z
(A=*1990.)											
9	1	121111-21501	BOLT, FLYWHEEL	6							
10	1	129416-21590	FLYWHEEL ASSY	1							
11	2	124550-21600	GEAR, RING	1							
12	2	24107-060034	BEARING, BALL 6003ZZ	1							
13	1	129402-22090	PISTON ASSY	4							
14	2	729120-22500	RING SET, PISTON	4							
15	1	129150-22300	PIN, PISTON D26 L66	4							
16	1	121100-22400	CIRCLIP	8							
17	1	729402-22910	PISTON ASSY, 0.25 OS	4							1
18	2	729120-22950	RING SET, 0.25 OS	4							1
19	1	729150-23700	ROD ASSY, CONNECTING	4							
19-1	1	729402-23100	ROD ASSY, CONNECTING	4							N
(A=E01739)											
20	2	121550-23200	BOLT, CONNECTING ROD	8							
21	2	129150-23600	BEARING, CRANK PIN	4							
22	1	129150-23610	BEARING, 0.25 US	4							2
23	1	129100-23910	BEARING, PISTON PIN	4							3
24	1	119649-78650	GEAR, PULSAR	1							
25	1	26106-100142	BOLT, M10X 14 PLATED	2							
26	1	22351-040010	PIN, SPRING 4.0X10	1							W
(A=EXXX)											
27	1	129402-22920	PISTON ASSY, 0.50 OS	4							W 4
(A=EXXX)											
28	2	129402-22970	RING SET, 0.50 OS	4							W 4
(A=EXXX)											

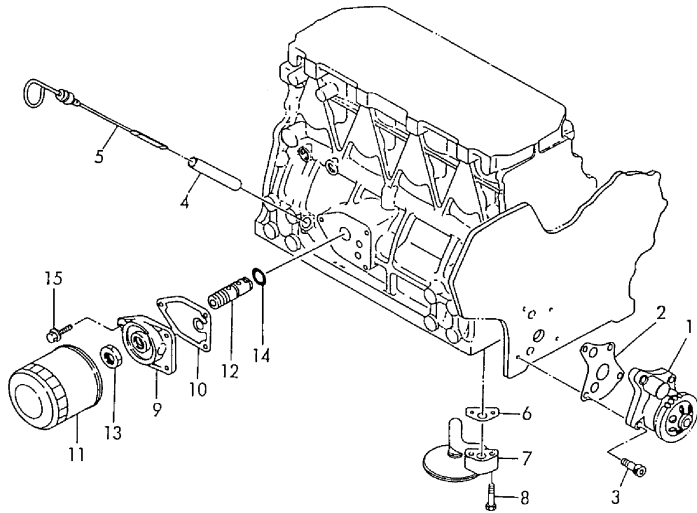
Remarks

- (1)OVER-SIZE PART.
- (2)UNDER-SIZE PART.
- (3)REPAIR PART.
- (4)OVER-SIZE PART.

Fig.11. LUB. OIL SYSTEM

Fig. 11 LOシステム
LUB. OIL SYSTEM

D29150-32100
D29100-34100
D29436-35100
D29100-35200



(A)=4TN82TL-RDGD

(B)=

(C)=

(D)=

(E)=

(F)=

No.	Lev.	Parts No.	Description	Q'ty						I	R
				(A)	(B)	(C)	(D)	(E)	(F)		
1	1	129150-32000	PUMP ASSY, OIL	1							
2	1	129150-32020	GASKET, PUMP	1							\$
3	1	26450-060252	BOLT, M6X 25	4							
4	1	121520-34810	GUIDE, DIPSTICK	1							
5	1	171420-34820	DIPSTICK, OIL	1							
6	1	129150-35040	GASKET	1							\$
6-1	1	129150-35041	GASKET	1						N	\$
(A=E01795)											
7	1	129100-35300	PIPE ASSY, OIL INLET	1							
7-1	1	129436-35090	PIPE ASSY, OIL INLET	1							N
(A=*1989.)											
8	1	26116-080352	BOLT, M8X 35 PLATED	2							
8-1	1	26106-080352	BOLT, M8X 35 PLATED	2							N
(A=*1989.)											
9	1	129150-35101	BRACKET, STRAINER	1							
10	1	129150-35110	GASKET	1							\$
10-1	1	129150-35111	GASKET	1							N \$
(A=E01795)											
11	1	129150-35150	FILTER 90X80L	1							
12	1	119865-35300	VALVE ASSY, CONTROL	1							
12K-1	2	129150-35340	SHIM SET	1							
13	1	129150-35350	NUT	1							
14	1	24311-000160	O-RING, 1AP16.0	1							\$
15	1	26106-080202	BOLT, M8X 20 PLATED	3							

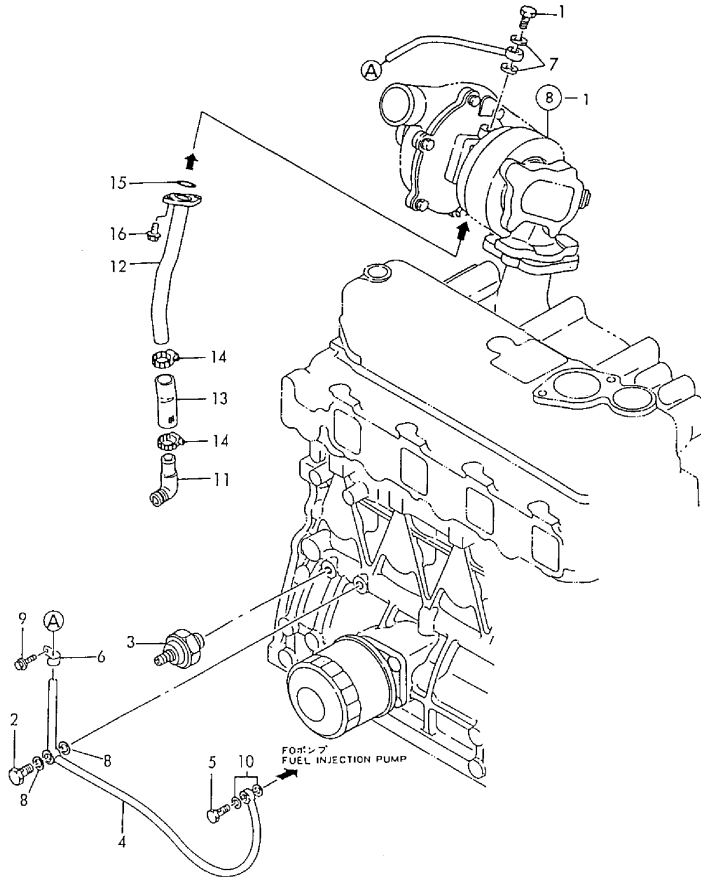
Remarks

(\$) THESE PARTS ARE SOLD BY FIG.23,
REF.NO.1,1-1.

Fig.12. LUB. OIL LINE

Fig. **12** LOパイプ
LUB. OIL LINE

D19500-39100
D29403-39130
D29403-39200



(A)=4TN82TL-RDGD

(B)=

(C)=

(D)=

(E)=

(F)=

No.	Lev.	Parts No.	Description	Qty						I	R
				(A)	(B)	(C)	(D)	(E)	(F)		
1	1	105010-39140	BOLT, PIPE JOINT	1							
2	1	124160-39140	BOLT, PIPE JOINT M10	1							
3	1	124160-39450	SWITCH, 0.5KG	1							
4	1	129403-39450	PIPE ASSY, OIL	1							
5	1	124550-59820	BOLT, PIPE JOINT M8	1							
6	1	23297-080081	CLAMP, A8X 8	1							
6-1	1	124223-39900	RETAINER	1							R
		(A=E01589)									
7	1	23414-080000	GASKET, 8X1.0	2							\$
8	1	23414-100000	GASKET, 10X1.0	2							\$
9	1	26106-080102	BOLT, M8X 10 PLATED	1							
10	1	43400-500410	SEAL WASHER 8	2							\$
11	1	128270-13620	JOINT, PIPE PT3/8	1							
12	1	129403-39600	PIPE, OIL	1							
13	1	129403-39610	JOINT, RUBBER	1							
14	1	23000-022000	CLAMP, 22	2							
15	1	24314-000160	O-RING, 4CP16.0	1							\$
16	1	26106-060162	BOLT, M6X 16 PLATED	2							

Remarks

(S) THESE PARTS ARE SOLD BY FIG.23,
REF.NO.1,1-1.

Fig.13. COOLING WATER SYSTEM

(A)=4TN82TL-RDGD

(B)=

(C)=

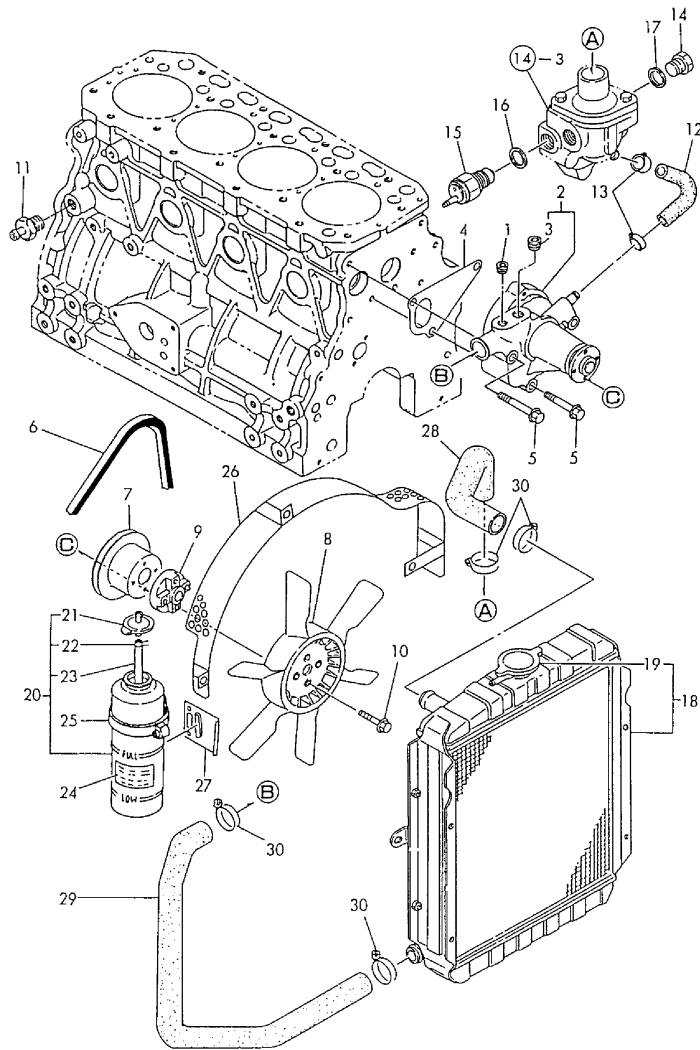
(D)=

(E)=

(F)=

Fig. 13 CWシステム
COOLING WATER SYSTEM

D19600-49300
D29100-42110 D29100-49500
D29111-42300 D29100-49610
D29411-44400 D29416-93110



No.	Lev.	Parts No.	Description	Q'ty						I	R
				(A)	(B)	(C)	(D)	(E)	(F)		
1	1	121850-11860	PLUG, PT1/4	1							
2	1	129100-42001	PUMP ASSY, WATER	1							
2-1	1	129100-42002	PUMP ASSY, WATER	1							N
(A=E01795)											
3	2	23871-030000	PLUG, R03	1							
4	1	129100-42020	GASKET, WATER PUMP	1							\$
5	1	26106-080602	BOLT, M8X 60 PLATED	3							
6	1	124732-42290	V-BELT, AX37	1							
7	1	129155-42350	V-PULLEY	1							
8	1	129403-44740	FAN, COOLING 370	1							
9	1	171353-44760	SPACER, FAN	1							
10	1	26106-060352	BOLT, M6X 35 PLATED	4							
11	1	121550-49111	JOINT, PT1/4	1							
12	1	129100-49050	PIPE, WATER	1							
13	1	23000-016000	CLAMP, 16	2							
14	1	121450-42450	PLUG, M16	1							
15	1	121250-44901	SWITCH, 110	1							
16	1	124465-44950	GASKET, 16	1							\$
17	1	124465-44950	GASKET, 16	1							\$
18	1	171460-44500	RADIATOR	1							
19	2	124450-44590	CAP, RADIATOR	1							
20	1	124450-44510	TANK ASSY, SUB	1							
21	2	124450-44530	CAP	1							
22	2	124450-44560	RETAINER	1							
23	2	23061-070230	PIPE, 7X 230	1							
24	1	121470-44540	LABEL, SUB-TANK	1							
25	1	124450-44550	BAND	1							
26	1	129411-44560	PROTECTOR, FAN	1							
27	1	121256-44600	BRACKET, SUB TANK	1							
28	1	171420-49010	PIPE, WATER	1							
29	1	171420-49020	PIPE, WATER	1							
30	1	23010-038000	CLAMP, 38	4							

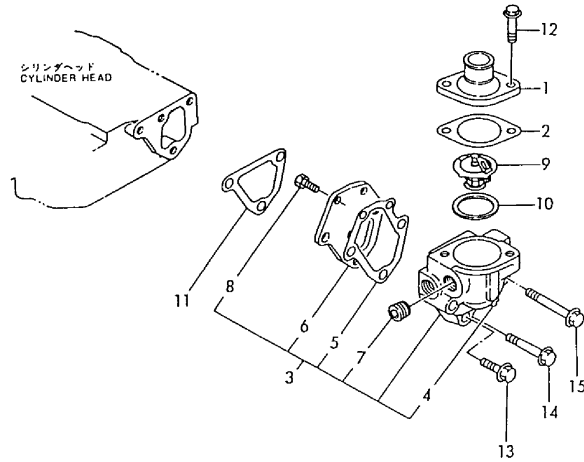
Remarks

(\$) THESE PARTS ARE SOLD BY FIG.23,
REF.NO.1,1-1.

Fig.14. THERMOSTAT

Fig. 14 サーモスタット
THERMOSTAT

029100-49210



(A)=4TN82TL-RDGD

(B)=

(C)=

(D)=

(E)=

(F)=

No.	Lev.	Parts No.	Description	Q'ty						I	R
				(A)	(B)	(C)	(D)	(E)	(F)		
1	1	129350-49530	COVER, THERMOSTAT	1							
2	1	129795-49550	GASKET	1							\$
2-1	1	129795-49551	GASKET	1						N	\$
(A=E01795)											
3	1	129100-49800	CASE ASSY,THERMOSTAT	1							
4	2	124770-11770	JOINT, PIPE PT1/8	1							
5	2	129100-49820	GASKET	1							
6	2	129100-49830	COVER, THERMOSTAT	1							
7	2	23871-030000	PLUG, R03	1							
8	2	26116-060162	BOLT, M6X 16 PLATED	2							
9	1	129155-49800	THERMOSTAT, 71	1							
10	1	129150-49810	GASKET, THERMOSTAT	1							\$
10-1	1	129150-49811	GASKET, THERMOSTAT	1						N	\$
(A=E01795)											
11	1	129100-49840	GASKET	1							\$
12	1	26106-080202	BOLT, M8X 20 PLATED	2							
13	1	26106-080252	BOLT, M8X 25 PLATED	1							
14	1	26106-080502	BOLT, M8X 50 PLATED	1							
15	1	26106-080602	BOLT, M8X 60 PLATED	1							

Remarks

(\$) THESE PARTS ARE SOLD BY FIG.23,
REF.NO.1,1-1.

Fig.15. FUEL INJECTION PUMP

(A)=4TN82TL-RDGD

(B)=

(C)=

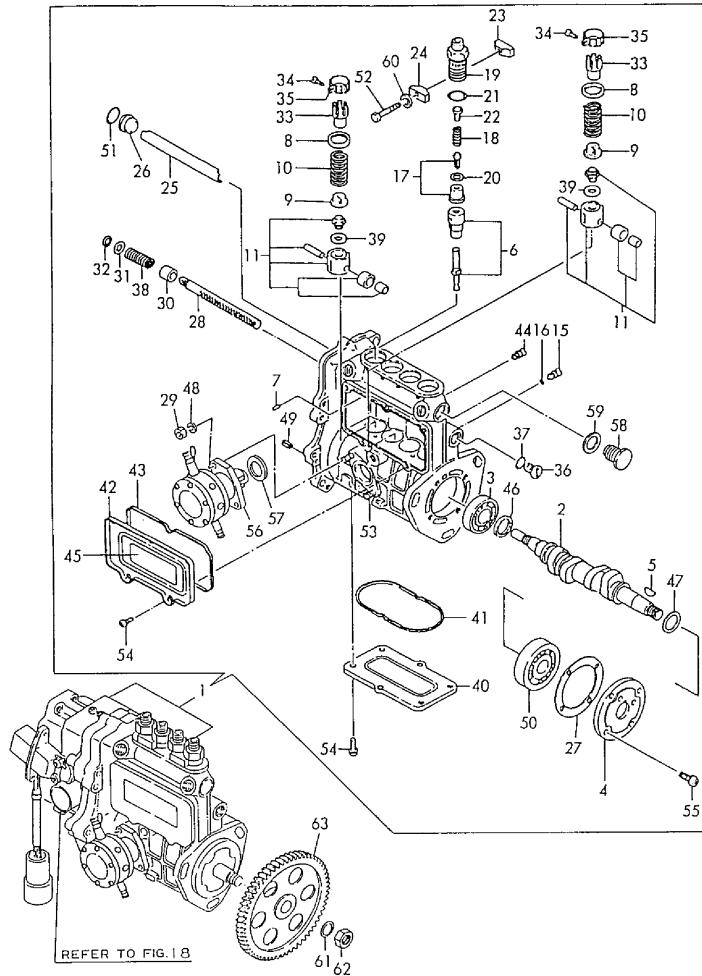
(D)=

(E)=

(F)=

Fig. 15 FOフンシャポンプ
FUEL INJECTION PUMP

D29150-25200
729416-51210



No.	Lev.	Parts No.	Description	Q'ty						I	R
				(A)	(B)	(C)	(D)	(E)	(F)		
1	1	729416-51210	PUMP ASSY, INJECTION	1							1
2	2	129470-51040	CAMSHAFT	1							
3	2	129155-51050	BEARING, 17BM001D	1							
4	2	129155-51060	SUPPORT, CAMSHAFT	1							
5	2	122710-51090	KEY	1							
6	2	129470-51101	PLUNGER ASSY	4							
7	2	129155-51140	PIN	4							
8	2	174307-51170	RETAINER, SPRING A	4							
9	2	129155-51180	RETAINER, SPRING	4							
10	2	124950-51190	SPRING, PLUNGER	4							
11	2	129155-51200	TAPPET ASSY	4							
15	2	129155-51270	STOPPER, TAPPET	4							
16	2	129155-51280	O-RING, S6	4							
17	2	129100-51300	VALVE ASSY, DELIVERY	4							
18	2	129155-51320	SPRING, DELIVERY	4							
19	2	129155-51340	RETAINER	4							
20	2	124550-51350	GASKET, DELIVERY	4							
21	2	124550-51370	O-RING	4							
22	2	129155-51370	STOPPER, VALVE	4							
23	2	129155-51380	STOPPER	2							
24	2	129155-51390	STOPPER	2							
25	2	129555-51400	DEFLECTOR	1							
26	2	129155-51410	BOLT	1							
27	2	129155-51450	SHIM SET, ADJUSTING	1							
28	2	129555-51500	RACK, CONTROL	1							
29	2	26716-060002	NUT, M6	2							
30	2	129155-51521	BUSH, RACK	1							
31	2	129155-51530	SPACER	1							
32	2	129155-51540	CIRCLIP	1							
33	2	129155-51550	PINION, CONTROL	4							
34	2	122117-51560	SCREW	4							
35	2	174307-51560	PINION	4							
36	2	129155-51570	PLUG, M12	1							
37	2	129155-51580	O-RING	1							
38	2	129155-51591	SPRING, RACK	1							
39	2	129155-51600	SHIM SET, ADJUSTING	4							
40	2	129555-51700	COVER	1							
41	2	129555-51710	GASKET	1							
42	2	129555-51750	COVER	1							
43	2	129555-51760	GASKET	1							
44	2	129155-51790	STOOPER, RACK	1							
45	2	129156-51910	LABEL, CAUTION	1							
46	2	129155-51930	SPACER, T=3.25	1							
47	2	129155-51940	SPACER, T=1.5	1							
48	2	22217-060000	WASHER, SPRING 6	2							
49	2	22351-050010	PIN, SPRING 5.0X10	2							
50	2	24101-063034	BEARING, BALL 6303	1							
51	2	24341-000160	O-RING, 1AS16.0	1							
52	2	26116-050302	BOLT, M5X 30 PLATED	2							
53	2	129155-51020	STUD	2							
54	2	26022-050102	SCREW, M5X10	11							

Remarks

(1) GOVERNOR ASSY (FIG NO.18) IS INCORPORATED IN THIS FUEL INJECTION PUMP ASSY (REF NO.1).

Fig.15. FUEL INJECTION PUMP

(A)=4TN82TL-RDGD

(B)=

(C)=

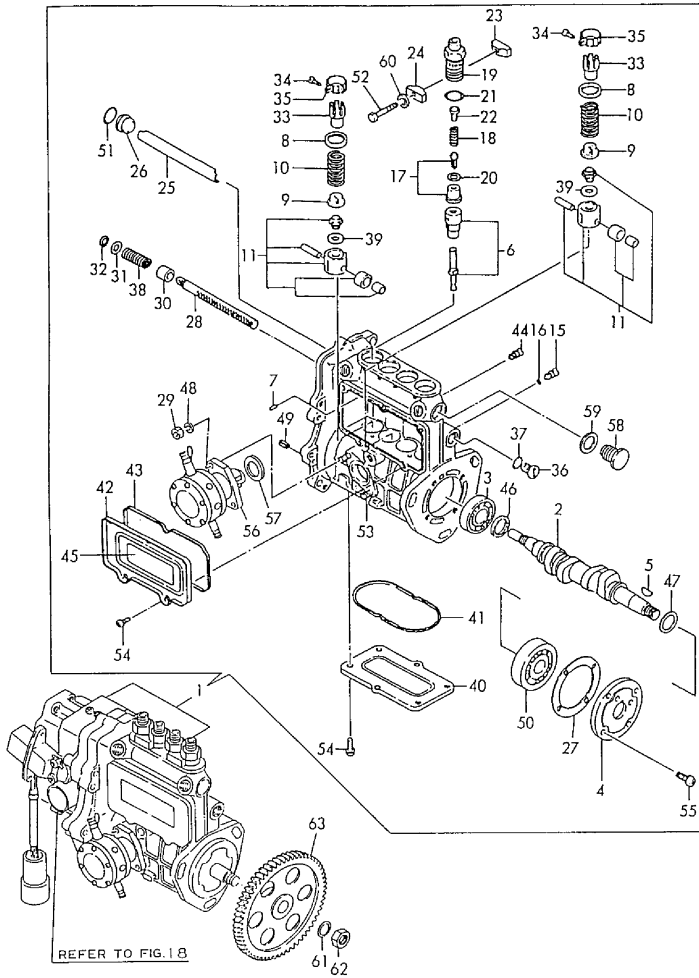
(D)=

(E)=

(F)=

Fig. 15 FOフンシャポンプ
FUEL INJECTION PUMP

D29150-25200
729416-51210



No.	Lev.	Parts No.	Description	Q'ty						I	R
				(A)	(B)	(C)	(D)	(E)	(F)		
55	2	26022-060162	SCREW, M6X16	4							
56	2	129100-52100	PUMP ASSY, FUEL FEED	1							
57	2	129155-52050	GASKET	1							
58	2	129155-51420	PLUG, M16	1							
59	2	43400-500490	SEAL WASHER 16	1							
60	2	22217-050000	WASHER, SPRING 5	2							Z
(A=EXXX)											
61	1	22217-120000	WASHER, SPRING 12	1							
62	1	26716-120002	NUT, M12	1							
63	1	129150-25900	GEAR, PUMP	1							

Remarks

(1)GOVERNOR ASSY(FIG NO.18)IS INCORPORATED IN THIS FUEL INJECTION PUMP ASSY(REF NO.1).

Fig.16. FUEL INJECTION LINE

(A)=4TN82TL-RDGD

(B)=

(C)=

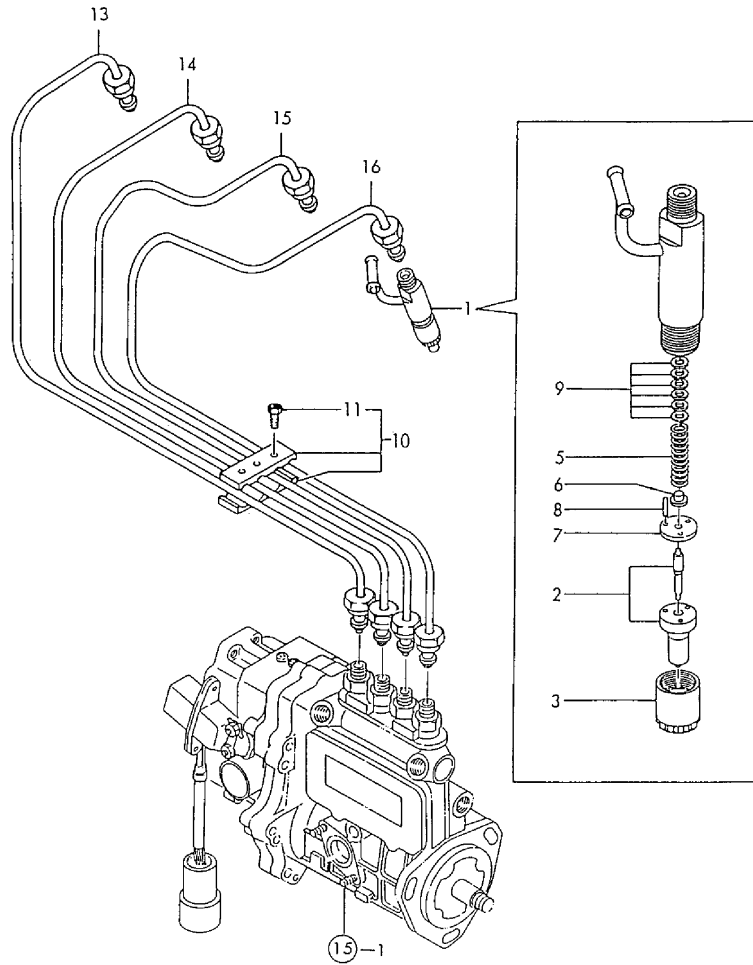
(D)=

(E)=

(F)=

Fig. 16 FOファンシャパイプ
FUEL INJECTION PIPE

029102-53100
029400-59110

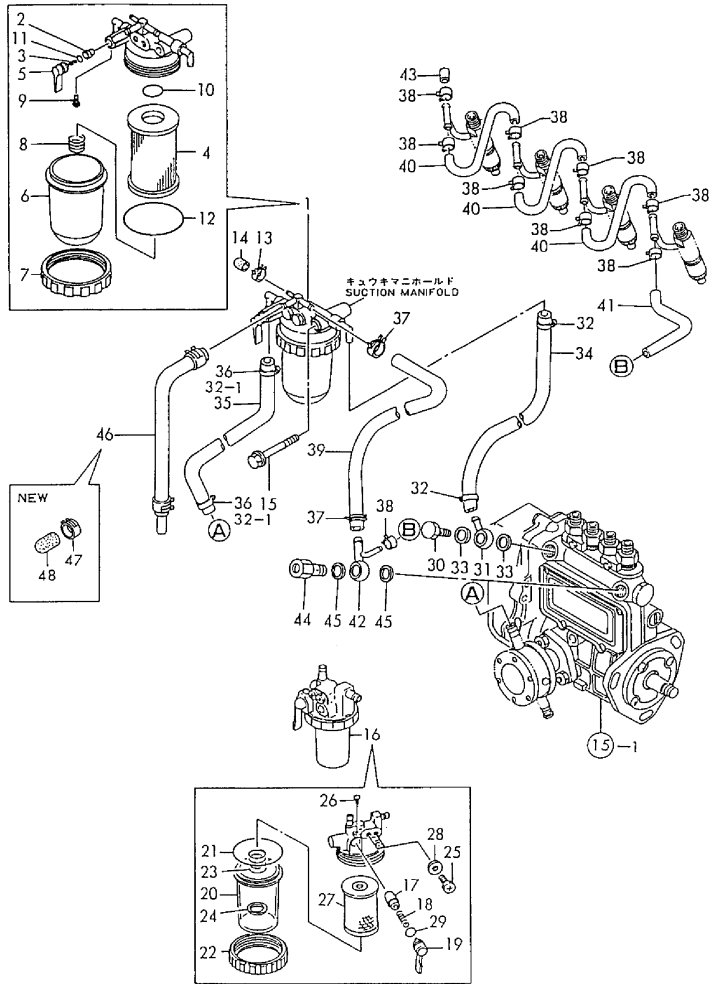


No.	Lev.	Parts No.	Description	Q'ty						I	R
				(A)	(B)	(C)	(D)	(E)	(F)		
1	1	729102-53100	VALVE ASSY,INJECTION	4							
2	2	129102-53000	VALVE ASSY,INJECTION	4							
3	2	114250-53080	NUT, NOZZLE D16.95	4							
5	2	114250-53120	SPRING, NOZZLE	4							
6	2	114250-53130	SEAT, SPRING	4							
7	2	114250-53140	PLATE	4							
8	2	114250-53210	PIN	8							
9	2	114250-53400	SHIM SET	4							
9F-1	3	114250-53460	SHIM, T=0.15	1							
10	1	129550-59120	RETAINER, PIPE	1							
11	2	129150-59130	BOLT, M4X12	2							
13	1	129400-59910	PIPE ASSY, INJECTION	1							
14	1	129400-59920	PIPE ASSY, INJECTION	1							
15	1	129400-59930	PIPE ASSY, INJECTION	1							
16	1	129400-59940	PIPE ASSY, INJECTION	1							

Fig.17. FUEL LINE

Fig. 17 FOパイプ
FUEL LINE

029100-55112
029400-59211
029400-59302
029416-93110



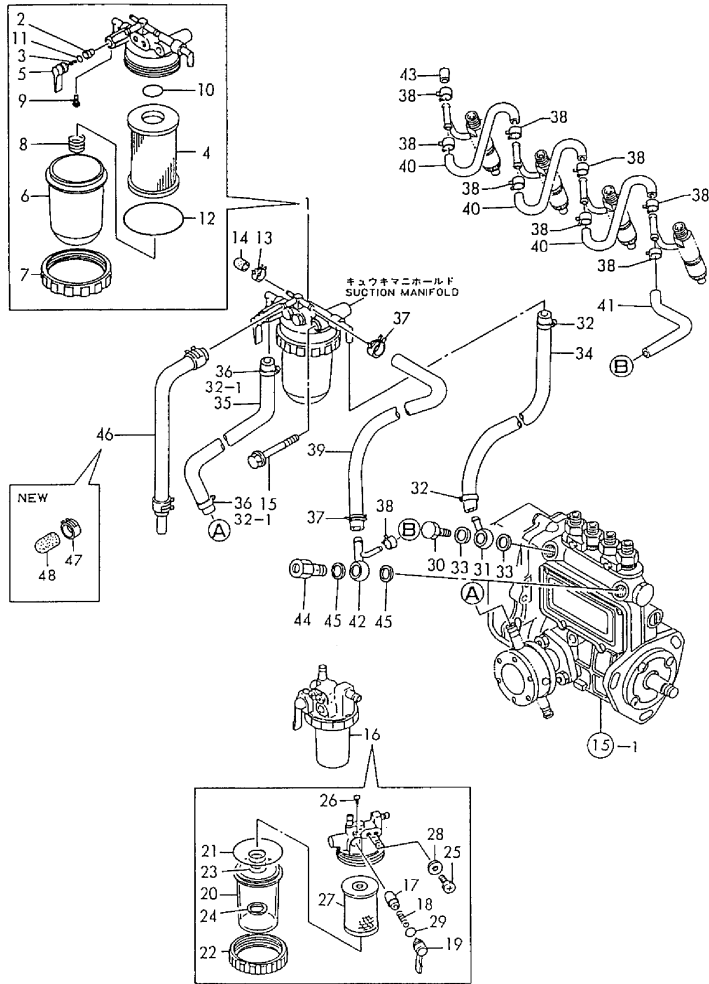
No.	Lev.	Parts No.	Description	Q'ty						I	R
				(A)	(B)	(C)	(D)	(E)	(F)		
1	1	129100-55621	FILTER ASSY, FUEL	1							
2	2	104200-55321	VALVE, TAPER	1							
3	2	104200-55330	SPRING, VALVE	1							
4	2	129100-55650	ELEMENT	1							
5	2	129100-55670	LEVER	1							
6	2	129100-55680	CUP, STRAINER	1							
7	2	129100-55690	RING, RETAINING	1							
8	2	129100-55700	SPRING	1							
9	2	104200-55750	SCREW, M4	1							
10	2	24311-000160	O-RING, 1AP16.0	1							
11	2	24311-240100	O-RING, 1AP10A	1							
12	2	24321-000650	O-RING, 1AG65.0	1							
13	1	124066-59100	CLIP, HOSE 8	1							
14	1	129150-59580	CAP	1							
15	1	26106-080652	BOLT, M8X 65 PLATED	1							
15-1	1	26014-080702	BOLT, M8X 70	1							N
(A=E00999)											
16	1	121257-55700	SEPARATOR, WATER	1							
17	2	104200-55321	VALVE, TAPER	1							
18	2	104200-55330	SPRING, VALVE	1							
19	2	104200-55341	HANDLE	1							
20	2	121254-55510	COVER	1							
21	2	102103-55520	O-RING	1							
22	2	110250-55610	RING, RETAINING	1							
23	2	121257-55720	SPRING	1							
24	2	121257-55731	FLOAT	1							
25	2	101720-55750	PLUG, 6	2							
26	2	104200-55750	SCREW, M4	1							
27	2	171081-55910	SCREEN	1							
28	2	23418-060000	GASKET, 6X1.0	2							
29	2	24311-240100	O-RING, 1AP10A	1							
30	1	103854-39140	BOLT, PIPE JOINT	1							
31	1	101304-59020	JOINT, PIPE 12	1							
32	1	124766-59050	CLIP, HOSE 12	2							
32-1	1	124766-59050	CLIP, HOSE 12	4							K
(A=E02277)											
33	1	104200-59170	GASKET, 12	2							\$
34	1	129555-59510	PIPE, D13/7.5X180	1							
35	1	105025-59530	PIPE, FUEL D13X400	1							
36	1	23000-013000	CLAMP, 13	2							Z
(A=E02277)											
37	1	124766-59050	CLIP, HOSE 12	2							
38	1	124066-59100	CLIP, HOSE 8	9							
39	1	105025-59530	PIPE, FUEL D13X400	1							
40	1	121250-59550	PIPE, FUEL D8X120	3							
41	1	119840-59560	PIPE, FUEL RETURN	1							
42	1	119840-59570	JOINT	1							
43	1	129150-59580	CAP	1							
44	1	129100-59951	VALVE ASSY, CHECK	1							
45	1	23414-120000	GASKET, 12X1.0	2							\$
46	1	119840-59601	BEND	1							Z

Remarks
(\$) THESE PARTS ARE SOLD BY FIG.23,
REF.NO.1,1-1.

Fig.17. FUEL LINE

Fig. 17 FOパイプ
FUEL LINE

029100-55112
029400-59211
029400-59302
029416-93110



(A)=4TN82TL-RDGD

(B)=

(C)=

(D)=

(E)=

(F)=

No.	Lev.	Parts No.	Description	Qty						I	R	
				(A)	(B)	(C)	(D)	(E)	(F)			
		(A=E02590)										
47	1	124766-59050	CLIP, HOSE 12	1								W
		(A=E02590)										
47-1	1	124766-59050	CLIP, HOSE 12	2								
48	1	129461-59580	CAP, FUEL OIL	1								W
		(A=E02590)										

Remarks

(S) THESE PARTS ARE SOLD BY FIG.23,
REF.NO.1,1-1.

Fig.18. GOVERNOR

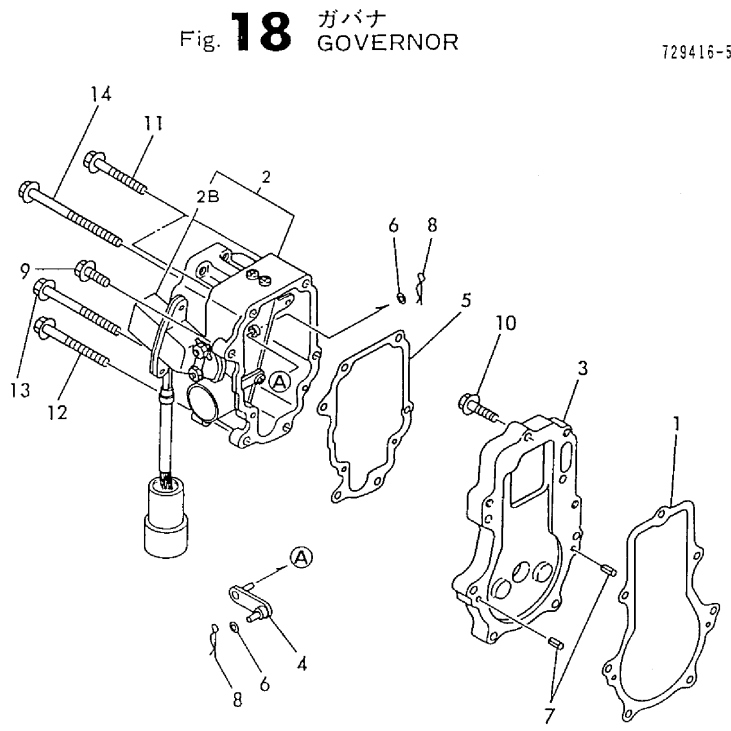


Fig. 18 ガバナ GOVERNOR

729416-51210

No.	Lev.	Parts No.	Description	Q'ty						I	R
				(A)	(B)	(C)	(D)	(E)	(F)		
1	2	129116-61050	GASKET	1							
1-1	2	129116-61051	GASKET	1							R
(A=E02297)											
2	2	119649-61100	ACTUATOR	1							
2B	3	119649-61090	SENSOR	1							W
(A=E02230)											
3	2	129116-61110	SPACER	1							
4	2	129116-61120	LINK	1							
5	2	119649-61150	GASKET	1							
5-1	2	119649-61151	GASKET	1							N
(A=E02297)											
6	2	22117-040000	WASHER, 4	2							
7	2	22351-040010	PIN, SPRING 4.0X10	2							
8	2	22360-050000	SNAP PIN 5	2							
9	2	26106-060202	BOLT, M6X 20 PLATED	1							
10	2	26106-060222	BOLT, M6X 22 PLATED	7							
11	2	26106-060452	BOLT, M6X 45 PLATED	2							
12	2	26106-060602	BOLT, M6X 60 PLATED	1							
13	2	26106-060702	BOLT, M6X 70 PLATED	1							
14	2	26106-060852	BOLT, M6X 85 PLATED	1							

Fig.19. STARTING MOTOR

(A)=4TN82TL-RDGD

(B)=

(C)=

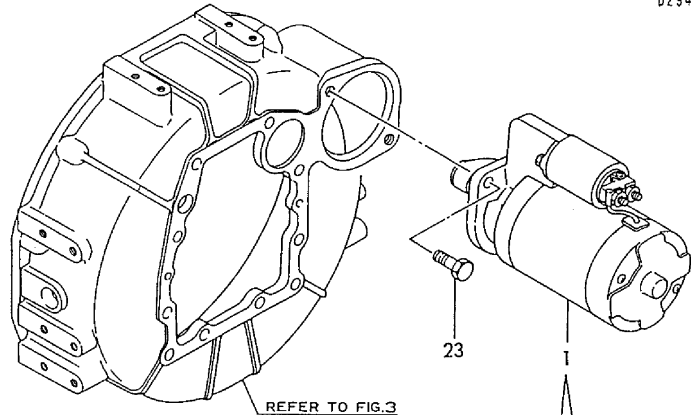
(D)=

(E)=

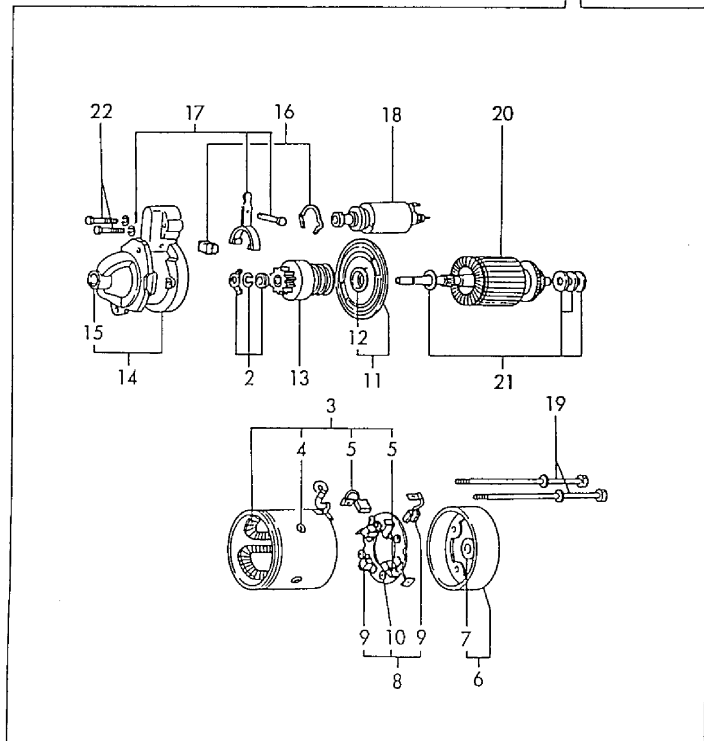
(F)=

Fig. 19 スタートイングモータ
STARTING MOTOR

029400-77100



REFER TO FIG.3

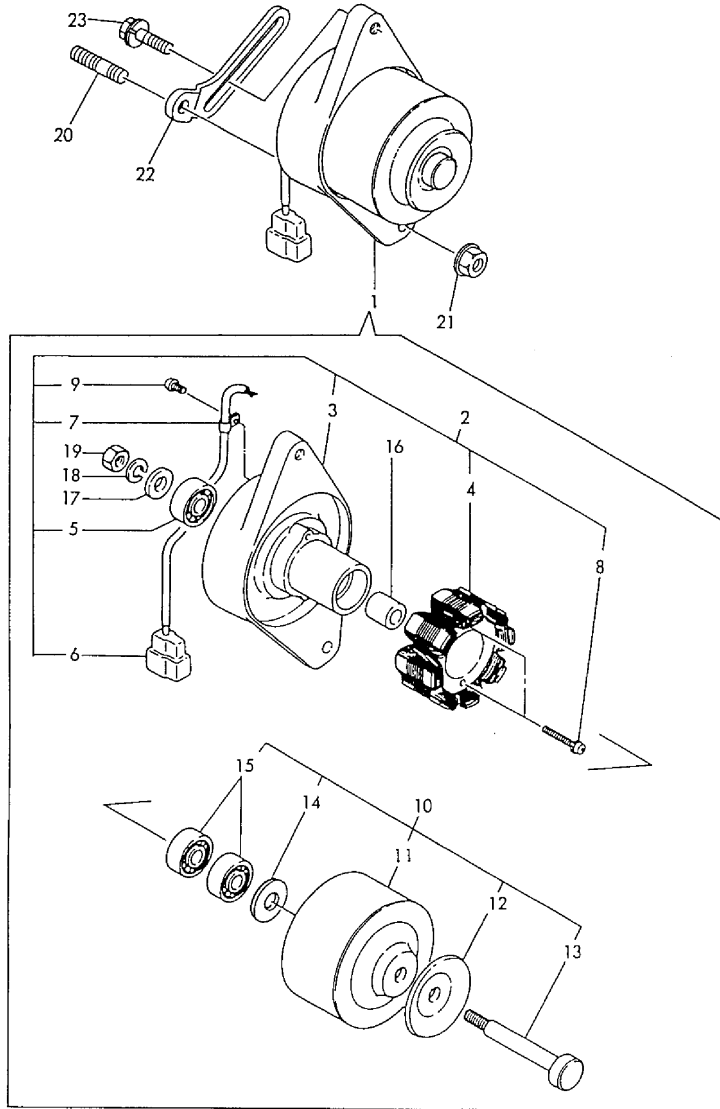


No.	Lev.	Parts No.	Description	Q'ty						I	R
				(A)	(B)	(C)	(D)	(E)	(F)		
1	1	124250-77012	STARTER, S12-77A	1							
2	2	124250-77070	STOPPER SET, PINION	1							
3	2	124250-77110	COIL ASSY, FIELD	1							
4	3	124250-77120	SCREW SET, PORE CORE	4							
5	3	124250-77130	BRUSH (+)	2							
6	2	124250-77140	COVER ASSY, REAR	1							
7	3	124250-77150	METAL, REAR COVER	1							
8	2	124250-77160	HOLDER ASSY, BRUSH	1							
9	3	124250-77170	BRUSH (-)	2							
10	3	124250-77180	SPRING, BRUSH	4							
11	2	124250-77190	BEARING ASSY, CENTER	1							
12	3	124250-77520	BEARING	1							
13	2	124250-77210	PINION ASSY	1							
14	2	124250-77220	CASE ASSY, GEAR	1							
15	3	124250-77230	METAL, GEAR CASE	1							
16	2	124250-77240	COVER SET, DUST	1							
17	2	124250-77270	LEVER SET, SHIFT	1							
18	2	124250-77310	SWITCH, MAGNETIC	1							
19	2	124250-77320	BOLT, THROUGH	2							
20	2	124250-77500	ARMATURE ASSY	1							
21	2	124250-77510	WASHER KIT	1							
22	2	26106-060322	BOLT, M6X 32 PLATED	2							Z
		(A=E01170)									
23	1	26116-120252	BOLT, M12X 25 PLATED	2							

Fig.20. GENERATOR

Fig. **20** ジェネレータ
GENERATOR

D29410-77200
D29400-77300



(A)=4TN82TL-RDGD

(B)=

(C)=

(D)=

(E)=

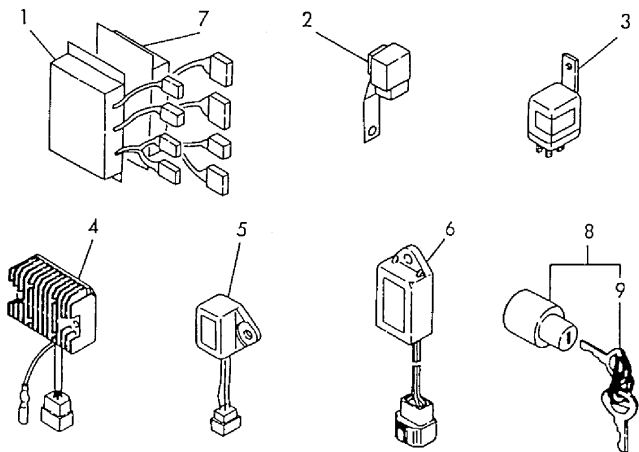
(F)=

No.	Lev.	Parts No.	Description	Qty						I	R
				(A)	(B)	(C)	(D)	(E)	(F)		
1	1	171301-77201	DYNAMO ASSY, 15A	1							
2	2	XM08137	PLATE ASSY	1							
3	3	XM08138	PLATE	1							
4	3	XM08180	STATOR ASSY	1							
5	3	XM27436	BALL BEARING	1							
6	3	XM17878	COUPLER	1							
7	3	XM36410	CLAMP	1							
8	3	26022-040252	SCREW, M4X25	2							
9	3	XYSPS4008	SCREW	1							
10	2	XM82184	FLYWHEEL ASSY	1							
11	3	XM82110	FLYWHEEL	1							
12	3	XM72174	PULLEY	1							
13	3	XM72664	SHAFT	1							
14	3	XM37336	WASHER	1							
15	3	XM27436	BALL BEARING	2							
16	2	106383-44720	SPACER	1							
17	2	106383-44730	WASHER	1							
18	2	22212-100000	SPRING WASHER 10	1							
19	2	26716-100002	NUT, M10	1							
20	1	121450-01570	STUD	1							
21	1	26366-100002	NUT, M10	1							
22	1	129400-77330	ADJUSTER	1							
23	1	26014-080252	BOLT, M8X 25	1							

Fig.21. ELECTRIC PART

Fig. **21** デンソウヒン
ELECTRIC PART

D29116-78801
D29416-93110



(A)=4TN82TL-RDGD
(B)=
(C)=

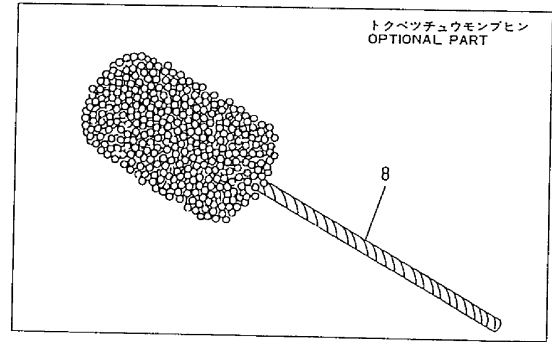
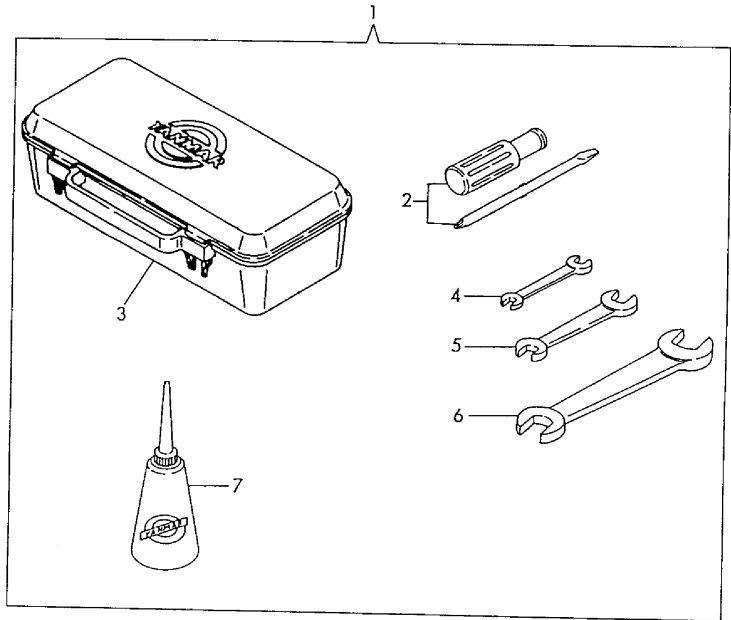
(D)=
(E)=
(F)=

No.	Lev.	Parts No.	Description	Q'ty						I	R
				(A)	(B)	(C)	(D)	(E)	(F)		
1	1	129116-78800	CONTROLLER, MAIN 4P	1							
1-1	1	129116-78801	CONTROLLER, MAIN 4P	1							S
(A=*1992.02)											
2	1	119649-78850	RELAY, POWER	1							Z
(A=*1992.02)											
3	1	121522-77101	RELAY, SAFETY	1							
3-1	1	119247-77100	RELAY, SAFETY	1							S
(A=*1992.02)											
4	1	129132-77700	LIMITER, RS5136	1							
5	1	121522-77721	INDICATOR	1							
6	1	128300-77920	TIMER	1							
7	1	129116-78810	CONTROLLER	1							
7-1	1	119140-78810	CONTROLLER	1							S
(A=E00999)											
7-2	1	119140-78811	CONTROLLER, SUB	1							N
(A=*1992.02)											
8	1	121400-91251	SWITCH, STARTER	1							
9	2	121400-91271	KEY, SWITCH	1							

Fig.22. TOOL

Fig.22 コウダ TOOL

029416-93110

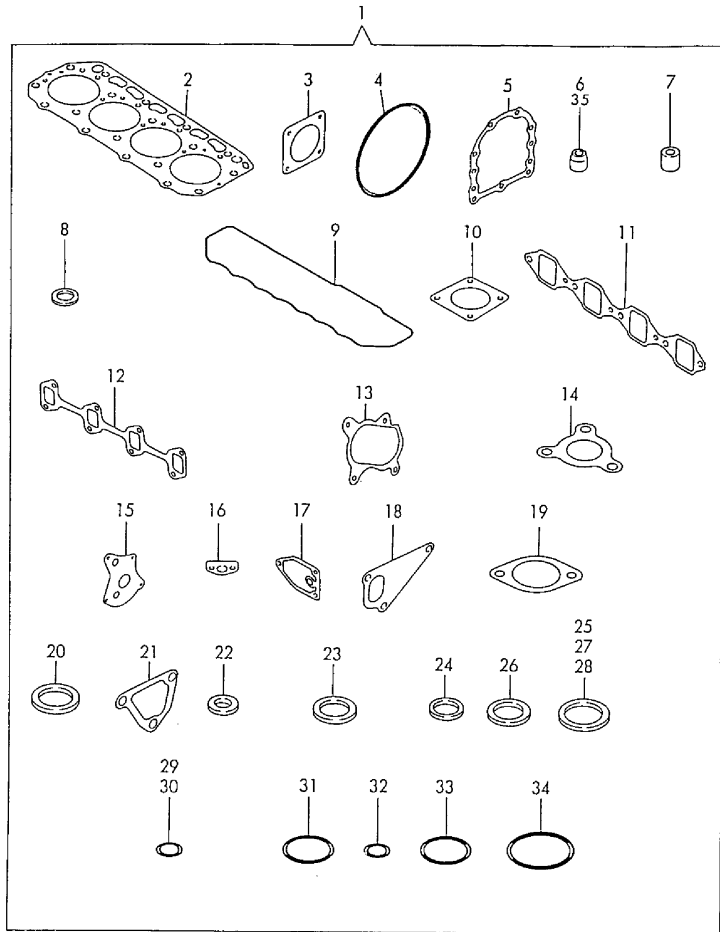


No.	Lev.	Parts No.	Description	Q'ty						I	R
				(A)	(B)	(C)	(D)	(E)	(F)		
1	1	171001-93100	BOX, TOOL	1							
2	2	104200-92350	DRIVER, SCREW	1							
3	2	104200-92600	BOX, TOOL	1							
4	2	28110-100120	SPANNER, 10X12	1							
5	2	28110-140170	SPANNER, 14X17	1							
6	2	28110-190220	SPANNER, 19X22	1							
7	2	28210-000140	OILER	1							
8	1	129400-92420	FLEX HORN	1							1

Remarks
(1)OPTIONAL PART.

Fig.23. GASKET SET(OPTIONAL)

Fig. **23** パッキンセット(オプション)
GASKET SET (OPTIONAL)



(A)=4TN82TL-RDGD

(B)=

(C)=

(D)=

(E)=

(F)=

No.	Lev.	Parts No.	Description	Q'ty						I	R
				(A)	(B)	(C)	(D)	(E)	(F)		
1	1	729416-92601	GASKET SET	1							1
1-1	1	729416-92602	GASKET SET	1							N 1
(A=E01622)											
2	2	129402-01321	GASKET, HEAD	1							
3	2	124240-01882	GASKET	1							
3-1	2	124240-01883	GASKET	1							N
(A=E01622)											
4	2	121850-51960	O-RING	1							
5	2	129150-01660	GASKET	1							Z
(A=*1988.)											
6	2	124460-11340	SEAL, VALVE STEM	4							
7	2	119625-11870	PROTECTOR, NOZZLE	4							
8	2	119625-11880	SEAT, NOZZLE	4							
9	2	129550-11310	GASKET, BONNET	1							
10	2	129150-77510	GASKET	1							
10-1	2	129150-77511	GASKET	1							N
(A=E01795)											
11	2	129550-12110	GASKET, MANIFOLD	1							
11-1	2	129550-12111	GASKET, MANIFOLD	1							N
(A=E01795)											
12	2	129550-13110	GASKET	1							
13	2	129403-18090	GASKET	1							
14	2	129477-18100	GASKET	1							
15	2	129150-32020	GASKET, PUMP	1							
16	2	129150-35040	GASKET	1							
16-1	2	129150-35041	GASKET	1							N
(A=E01795)											
17	2	129150-35110	GASKET	1							
17-1	2	129150-35111	GASKET	1							N
(A=E01795)											
18	2	129100-42020	GASKET, WATER PUMP	1							
19	2	129795-49550	GASKET	1							
19-1	2	129795-49551	GASKET	1							N
(A=E01795)											
20	2	129150-49810	GASKET, THERMOSTAT	1							
20-1	2	129150-49811	GASKET, THERMOSTAT	1							N
(A=E01795)											
21	2	129100-49840	GASKET	1							
22	2	124465-44950	GASKET, 16	2							
23	2	104200-59170	GASKET, 12	2							
24	2	43400-500410	SEAL WASHER 8	2							
25	2	23414-170000	GASKET, 17X1.0	1							
26	2	23414-080000	GASKET, 8X1.0	2							
27	2	23414-100000	GASKET, 10X1.0	2							
28	2	23414-120000	GASKET, 12X1.0	2							
29	2	24311-000120	O-RING, 1AP12.0	3							
30	2	24311-000160	O-RING, 1AP16.0	2							
31	2	24311-000320	O-RING, 1AP32.0	1							
32	2	24314-000160	O-RING, 4CP16.0	1							
33	2	24341-000250	O-RING, 1AS25.0	1							
34	2	24341-000500	O-RING, 1AS50.0	1							

Remarks

(1) OPTIONAL PART.

N:Old $\xrightarrow{\text{Yes}}$ New, Q:Old $\xrightarrow{\text{No}}$ New, R:Old $\xrightarrow{\text{Yes}}$ New, S:Old $\xrightarrow{\text{No}}$ New, W:Add, Z:Discontinued, F:Interchangeable by set, K:Q'ty Change

++ CONTINUE ++

Copyright (C) YANMAR CO., LTD. All Rights Reserved.

Parts No. Index

Parts No.	Fig. No.	Ref. No.
101304-59020	17	31
101720-55750	17	25
102103-55520	17	21
103338-11190	4	12
103854-39140	17	30
104200-55321	17	2
	17	17
104200-55330	17	3
		18
104200-55341	17	19
104200-55750	17	9
		26
104200-59170	17	33
	23	23
104200-92350	22	2
104200-92600	22	3
105010-39140	12	1
105025-59530	17	35
		39
106383-44720	20	16
106383-44730	20	17
110250-55610	17	22
114250-53080	16	3
114250-53120	16	5
114250-53130	16	6
114250-53140	16	7
114250-53210	16	8
114250-53400	16	9
114250-53460	16	9 F-1
119140-78810	21	7 -1
119140-78811	21	7 -2
119247-77100	21	3 -1
119620-01750	3	3
119625-11870	4	33
	23	7
119625-11880	4	34
	23	8
119625-11900	4	30
119649-61090	18	2 B
119649-61100	18	2
119649-61150	18	5
119649-61151	18	5 -1
119649-78500	2	26
119649-78650	10	24
119649-78850	21	2
119840-59560	17	41
119840-59570	17	42
119840-59601	17	46
119865-35300	11	12
120130-11860	4	2

Parts No.	Fig. No.	Ref. No.
121023-01550	2	22
121100-22400	10	16
121111-21501	10	9
121120-12531	5	10
121120-12541	5	11
121120-12561	5	12
121120-12571	5	13
121120-12901	5	14
121250-44901	13	15
121250-59550	17	40
121252-12501	5	8
121252-12521	5	9
121254-55510	17	20
121256-44600	13	27
121257-55700	17	16
121257-55720	17	23
121257-55731	17	24
121400-11340	4	13
	23	35
121400-91251	21	8
121400-91271	21	9
121450-01560	2	3
121450-01570	20	20
121450-42450	13	14
121470-44540	13	24
121520-34810	11	4
121522-77101	21	3
121522-77721	21	5
121550-23200	10	20
121550-49111	13	11
121850-11860	4	4
	13	1
121850-21680	10	7
121850-51960	2	9
	23	4
122117-51560	15	34
122710-51090	15	5
124066-59100	17	13
		38
124160-01751	2	4
	4	45
124160-01910	1	2
		3
124160-11360	4	49
124160-39140	12	2
124160-39450	12	3
124223-39900	12	6 -1
124240-01871	2	6
124240-01882	2	7
	23	3

Parts No.	Fig. No.	Ref. No.
124240-01883	2	7 -1
		7 -2
	23	3 -1
124250-77012	19	1
124250-77070	19	2
124250-77110	19	3
124250-77120	19	4
124250-77130	19	5
124250-77140	19	6
124250-77150	19	7
124250-77160	19	8
124250-77170	19	9
124250-77180	19	10
124250-77190	19	11
124250-77210	19	13
124250-77220	19	14
124250-77230	19	15
124250-77240	19	16
124250-77270	19	17
124250-77310	19	18
124250-77320	19	19
124250-77500	19	20
124250-77510	19	21
124250-77520	19	12
124450-44510	13	20
124450-44530	13	21
124450-44550	13	25
124450-44560	13	22
124450-44590	13	19
124460-11340	4	14
	23	6
124465-44950	13	16
		17
	23	22
124550-21600	10	11
124550-51350	15	20
124550-51370	15	21
124550-59820	12	5
124732-42290	13	6
124736-07900	4	35
124766-59050	17	32
		32 -1
		37
		47
		47 -1
124770-11770	14	4
124950-51190	15	10
128270-13620	12	11
128300-77920	21	6
129100-01580	3	1

Parts No.	Fig. No.	Ref. No.
129100-01580	3	15
	10	4 A
		8
129100-01640	3	16
129100-01790	3	8
129100-11100	4	8
129100-11130	4	9
129100-11650	4	25 -1
129100-23910	10	23
129100-25061	7	6
129100-35300	11	7
129100-42001	13	2
129100-42002	13	2 -1
129100-42020	13	4
	23	18
129100-49050	13	12
129100-49800	14	3
129100-49820	14	5
129100-49830	14	6
129100-49840	14	11
	23	21
129100-51300	15	17
129100-52100	15	56
129100-55621	17	1
129100-55650	17	4
129100-55670	17	5
129100-55680	17	6
129100-55690	17	7
129100-55700	17	8
129100-59951	17	44
129102-53000	16	2
129116-61050	18	1
129116-61051	18	1 -1
129116-61110	18	3
129116-61120	18	4
129116-78510	2	27
129116-78800	21	1
129116-78801	21	1 -1
129116-78810	21	7
129120-77501	5	5
129132-77700	21	4
129150-01200	1	17
129150-01660	3	18
	23	5
129150-02020	1	12
129150-02450	1	15
	7	3 A
129150-02800	1	13
129150-02870	1	19
129150-02930	1	14

Parts No. Index

Parts No.	Fig. No.	Ref. No.
129150-02940	1	20
129150-03020	4	43
129150-03070	4	38
129150-03080	4	39
129150-03100	4	47
129150-11230	4	27
129150-11280	4	24
129150-11370	4	17
129150-11750	4	26
129150-11810	4	3
129150-14101	7	2
129150-14200	7	5
129150-14400	7	4
129150-21200	10	2
129150-22300	10	15
129150-23600	10	21
129150-23610	10	22
129150-25101	7	7
129150-25900	15	63
129150-32000	11	1
129150-32020	11	2
	23	15
129150-35040	11	6
	23	16
129150-35041	11	6 -1
	23	16 -1
129150-35101	11	9
129150-35110	11	10
	23	17
129150-35111	11	10 -1
	23	17 -1
129150-35150	11	11
129150-35340	11	12 K-1
129150-35350	11	13
129150-49810	14	10
	23	20
129150-49811	14	10 -1
	23	20 -1
129150-59130	16	11
129150-59580	17	14
		43
129150-77510	5	6
	23	10
129150-77511	5	6 -1
	23	10 -1
129155-11260	4	22
129155-11270	4	23
129155-42350	13	7
129155-49800	14	9
129155-51020	15	53

Parts No.	Fig. No.	Ref. No.
129155-51050	15	3
129155-51060	15	4
129155-51140	15	7
129155-51180	15	9
129155-51200	15	11
129155-51270	15	15
129155-51280	15	16
129155-51320	15	18
129155-51340	15	19
129155-51370	15	22
129155-51380	15	23
129155-51390	15	24
129155-51410	15	26
129155-51420	15	58
129155-51450	15	27
129155-51521	15	30
129155-51530	15	31
129155-51540	15	32
129155-51550	15	33
129155-51570	15	36
129155-51580	15	37
129155-51591	15	38
129155-51600	15	39
129155-51790	15	44
129155-51930	15	46
129155-51940	15	47
129155-52050	15	57
129156-51910	15	45
129350-49530	14	1
129400-01520	2	2
129400-01730	3	10
129400-01770	3	6 -1
129400-11350	4	37 -1
129400-12100	5	1
129400-59910	16	13
129400-59920	16	14
129400-59930	16	15
129400-59940	16	16
129400-77330	20	22
129400-92420	22	8
129402-01321	1	18
	23	2
129402-22090	10	13
129402-22920	10	27
129402-22970	10	28
129403-12080	5	16
129403-13130	6	2
129403-18090	8	25
	23	13
129403-39450	12	4

Parts No.	Fig. No.	Ref. No.
129403-39600	12	12
129403-39610	12	13
129403-44740	13	8
129404-18010	8	1
129411-44560	13	26
129412-18290	9	1
129412-18380	9	2
129416-21590	10	10
129436-35090	11	7 -1
129461-59580	17	48
129470-51040	15	2
129470-51101	15	6
129477-18100	8	26
	23	14
129500-11240	4	19 -1
129550-11290	4	20
129550-11310	4	42
	23	9
129550-12110	5	2
	23	11
129550-12111	5	2 -1
	23	11 -1
129550-13110	6	1
	23	12
129550-21650	10	5
129550-59120	16	10
129555-11241	4	19
129555-51400	15	25
129555-51500	15	28
129555-51700	15	40
129555-51710	15	41
129555-51750	15	42
129555-51760	15	43
129555-59510	17	34
129795-01780	3	17
129795-01800	2	1 B
		5
129795-01950	2	8
129795-02411	1	10
129795-11120	4	10
129795-11180	4	11
129795-21661	10	6
129795-49550	14	2
	23	19
129795-49551	14	2 -1
	23	19 -1
171001-93100	22	1
171002-12560	5	15
171051-01921	1	4
171081-55910	17	27

Parts No.	Fig. No.	Ref. No.
171301-01640	3	7
171301-77201	20	1
171350-03090	4	48
171353-44760	13	9
171420-01600	3	2
171420-34820	11	5
171420-49010	13	28
171420-49020	13	29
171460-44500	13	18
172010-08160	2	31
174307-51170	15	8
174307-51560	15	35
194180-51640	2	25
194990-22050	8	27 -1
	9	3
22117-040000	18	6
22212-100000	20	18
22217-050000	15	60
22217-060000	15	48
22217-120000	15	61
22351-040010	2	28
	10	3
		26
	18	7
22351-050010	15	49
22351-060012	4	18
22360-050000	18	8
22512-070140	7	3
	10	4
23000-013000	17	36
23000-016000	13	13
23000-022000	12	14
23000-054000	5	17
23000-060000	5	18
23010-038000	13	30
23061-070230	13	23
23297-080081	12	6
23414-080000	1	9
	12	7
	23	26
23414-100000	12	8
	23	27
23414-120000	17	45
	23	28
23414-170000	9	4
	23	25
23418-060000	17	28
23871-010000	1	5
23871-030000	4	5
	5	3

Parts No. Index

Parts No.	Fig. No.	Ref. No.
23871-030000	13	3
	14	7
23894-030002	9	5
24101-063034	15	50
24107-060034	10	12
24311-000120	4	46
	23	29
24311-000160	2	10
	11	14
	17	10
	23	30
24311-000260	2	23
24311-000320	2	11
	4	44
	23	31
24311-240100	17	11
		29
24314-000160	12	15
	23	32
24321-000650	17	12
24341-000160	15	51
24341-000240	2	23 -1
	3	9
24341-000250	23	33
24341-000500	4	40
	23	34
26014-080252	20	23
26014-080702	17	15 -1
26022-040252	20	8
26022-050102	15	54
26022-060162	15	55
26106-060122	2	24
26106-060162	12	16
26106-060202	18	9
26106-060222	18	10
26106-060322	19	22
26106-060352	13	10
26106-060452	18	11
26106-060602	18	12
26106-060702	18	13
26106-060852	18	14
26106-080102	12	9
26106-080122	1	11
	2	12
26106-080142	4	36
	9	6
26106-080162	1	16
	2	13
		14
	3	11

Parts No.	Fig. No.	Ref. No.
26106-080162	4	41
26106-080202	2	15
	11	15
	14	12
26106-080252	3	12
	4	31
	14	13
26106-080302	3	19
26106-080352	3	20
	5	4
		7
	11	8 -1
26106-080452	2	16
	3	13
	7	9
26106-080502	3	14
	4	32
	14	14
26106-080552	2	17
26106-080602	13	5
	14	15
26106-080652	6	3
	17	15
26106-080852	2	18
	6	4
26106-081002	6	5
26106-100142	10	25
26116-050302	15	52
26116-060122	2	29
26116-060162	14	8
26116-080352	11	8
26116-120252	19	23
26206-100252	3	4
26206-100302	3	5
26216-060202	4	15
26216-080222	6	6
	9	7
26226-080182	4	28
26366-060002	4	16
26366-080002	2	19
26366-100002	20	21
26450-060252	11	3
26557-040082	2	30
26716-060002	15	29
26716-080002	8	27
26716-100002	20	19
26716-120002	15	62
26756-080002	4	29
27231-500000	1	6
27241-120000	1	7

Parts No.	Fig. No.	Ref. No.
27241-220000	4	6
27241-300000	1	8
27241-400000	4	7
27310-080001	4	12 -1
28110-100120	22	4
28110-140170	22	5
28110-190220	22	6
28210-000140	22	7
43400-500410	2	20
		21
	12	10
	23	24
43400-500490	15	59
719810-01500	2	1
729102-53100	16	1
729120-22500	10	14
729120-22950	10	18
729150-11650	4	25
729150-23700	10	19
729400-01541	3	6
729400-21700	10	1
729402-01560	1	1
729402-11700	4	1
729402-14580	7	1
729402-22910	10	17
729402-23100	10	19 -1
729403-11520	4	37
729416-51210	15	1
729416-92601	23	1
729416-92602	23	1 -1
XM08137	20	2
XM08138	20	3
XM08180	20	4
XM17878	20	6
XM27436	20	5
		15
XM36410	20	7
XM37336	20	14
XM72174	20	12
XM72664	20	13
XM82110	20	11
XM82184	20	10
XNB131002	8	2
XNB131005	8	3
XNB131006	8	4
XNB131007	8	8
XNB131008	8	5
XNB131009	8	6
XNB131010	8	7
XNB133001	8	9

Parts No.	Fig. No.	Ref. No.
XNB133204	8	11
XNB133206	8	12
XNB133207	8	13
XNB133215	8	10
XNB133512	8	15
XNB133521	8	14
XNB134007	8	18
XNB134035	8	17
XNB134113	8	16
XNB135102	8	19
XNB137143	8	21
XNB137194	8	23
XNB137303	8	20
XNN193653	8	24
XNN196103	8	22
XYSPS4008	20	9