

0CD10-M39301EN

PREFACE

1. This Parts Catalog is the 1st edition of 3TN(A)66,68,72L Diesel Engine for WAKITA PRECISION.

Pub. No. : 000Y00D3931

Published : May,1991

2. Model name

Engine model	Vehicle		Vehicle made by
	Products	Model name	
3TN(A)66,68,72L	—	—	WAKITA PRECISION

How to read this Parts Catalog.

1. Parts mentioned in Parts Catalog may not necessarily be standard equipping parts
2. Parts change may be made without prior notice.
3. Form of this Parts Catalog.

REF.	LEV.	PARTS No.	DESCRIPTION	QTY						I	R
				(A)	(B)	(C)	(D)	(E)	(F)		
1		729595-51390	FUEL INJECTION PUMP		1	1	1	1			
1-1	1	729595-51391	FUEL INJECTION PUMP	1	1	1	1	1		N	1
3	2	26022-060162	SCREW M 6X16		9	9	9	9	9		
1 3-1	2	26022-060162	SCREW M 6X16		4	4	4	4	4		K
4	2	129470-51040	CAMSHFT		9	9	9	9	9		
5	2	122710-51050	BEARING. ROLLER		9	9	9	9	9		
6	2	129470-51060	RETAINER		9	9	9	9	9		

Remarks	(1) BOOST COMPENSATOR TYPE. OPTIONAL PART. TO E#00155 (4JH-DT, 4JH-DTZ)
---------	---

① Ref. No.

The Ref. No. in the list may not be in accordance with the Ref. No. on illustration.

(Ex.) illustration No, List head No,

1 1 (Before change) → 1-1 (After change)

When interchangeable symbol N, and k, illustrations for the new parts are sometimes omitted.

② Lev. (Level)

Indication and Meaning of Level

Level Hereunder is given the relation among the number of number (1,2,3) the level and the nominal parent-child relationship.

1 ---- Parent parts (Assembly parts)

2 ---- Child parts included in " 1 " (Semi-Assembly parts, component parts of Assembly parts.)

3 ---- Child parts included in " 2 ", Grand-child parts in terms of " 1 ".

(Component parts of Semi-Assembly parts.)

Note) A parts of non-sale parts are illustrated but not listed.




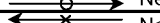
③ Change Mark

Change Mark " I " is given to the part for which a design change was made at this time.

The design change was not shown in the last published Parts Catalog.

④ Interchangeability Mark

In the case where a part change took place, one of the following interchangeability marks is indicated for that part

Symbol	Interchangeability	Contents note
N	Old ←  New	New Part is interchangeable for Old Part but not interchangeable conversely.
Q	Old ←  New	New Part is not interchangeable for Old Part but interchangeable conversely.
R	Old ←  New	New Part is interchangeable for Old Part and vice versa.
S	Old ←  New	New Part is not interchangeable for Old Part and vice versa.
W		Part newly added.
Z		Part discontinued.
F		Not interchangeable single part but interchangeable by set of the related parts.
K		Changed only in quantity used.

⑤ Effective Machine No.

When a part is changed, Effective Machine No. of a Model for which the part is applicable is indication

In each column of (A)-(F).

Product Symbol	Product No.	Product Symbol	Product No.
C	Clutch No, Compressor No,	M	Machine No,
D	Drive No,	T	Tractor No,
E	Engine No,	Note 1)※	Date

Note 1) Date may follow the symbol in some cases. (Ex.) ※1996.01

Note 2) As far as engine models shown by " XXX " are concerned, the modification of the parts could not be Predicted or the engine models themselves could not be identified.

Note 3) (A=E/#00185) means that the design change on the part has been effective for the model at the, column (A) (in the case, for 4JH-DT) on and from E/(Engine Serial Number) 00185

⑥ Remarks Mark

Figures or alphabets (Symbols) are entered in the remark column.

The comments (remarks) on the pertinent parts are indicated in the lower part of the list by the same symbols a those stated above.

Contents

Fig. No. Fig. Name

ENG. 3TN(A)66,68,72L

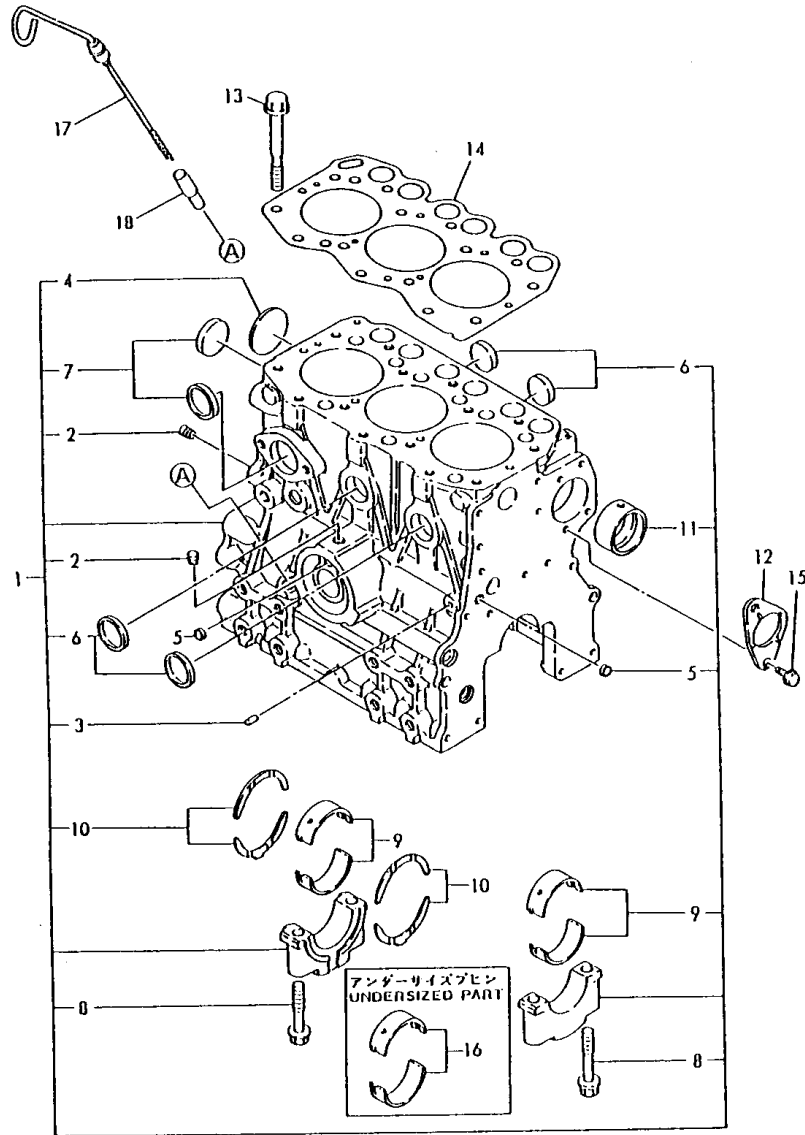
1. CYLINDER BLOCK
2. CYLINDER BLOCK
3. CYLINDER BLOCK
4. GEAR HOUSING
5. GEAR HOUSING
6. FLYWHEEL HOUSING
7. OIL SEAL HOUSING
8. LUB.OIL SUMP
9. LUB.OIL SUMP
10. CYLINDER HEAD
11. VALVE ROCKER ARM
12. BONNET
13. AIR CLEANER
14. SUCTION & EXHAUST MANIFOLD
15. CAMSHAFT
16. CRANKSHAFT & FLYWHEEL
17. PISTON & CONNECTING ROD
18. IDLE GEAR & FUEL PUMP GEAR
19. LUB.OIL PUMP
20. LUB.OIL STRAINER
21. LUB.OIL SUCTION PIPE
22. COOLING WATER PUMP
23. RADIATOR & FAN
24. THERMOSTAT

Fig. No. Fig. Name

25. COOLING WATER LINE
26. FUEL INJECTION PUMP
27. FUEL INJECTION VALVE
28. FUEL STRAINER
29. FUEL INJECTION LINE
30. FUEL LINE
31. FUEL RETURN LINE
32. GOVERNOR
33. CONTROL SYSTEM
34. STARTING MOTOR(COMPONENT PARTS)
35. GENERATOR(COMPONENT PARTS)
36. ELECTRIC PARTS
37. TOOLS
38. GASKET SET(OPTION)
39. SPECIAL TOOL(OPTIONAL)

Fig.1. CYLINDER BLOCK

019270-01110
 019260-02100
 019260-02200
 019645-34100



(A)=3TN66L-UHW
 (B)=3TNA68L-UHW
 (C)=3TNA72L-UHW

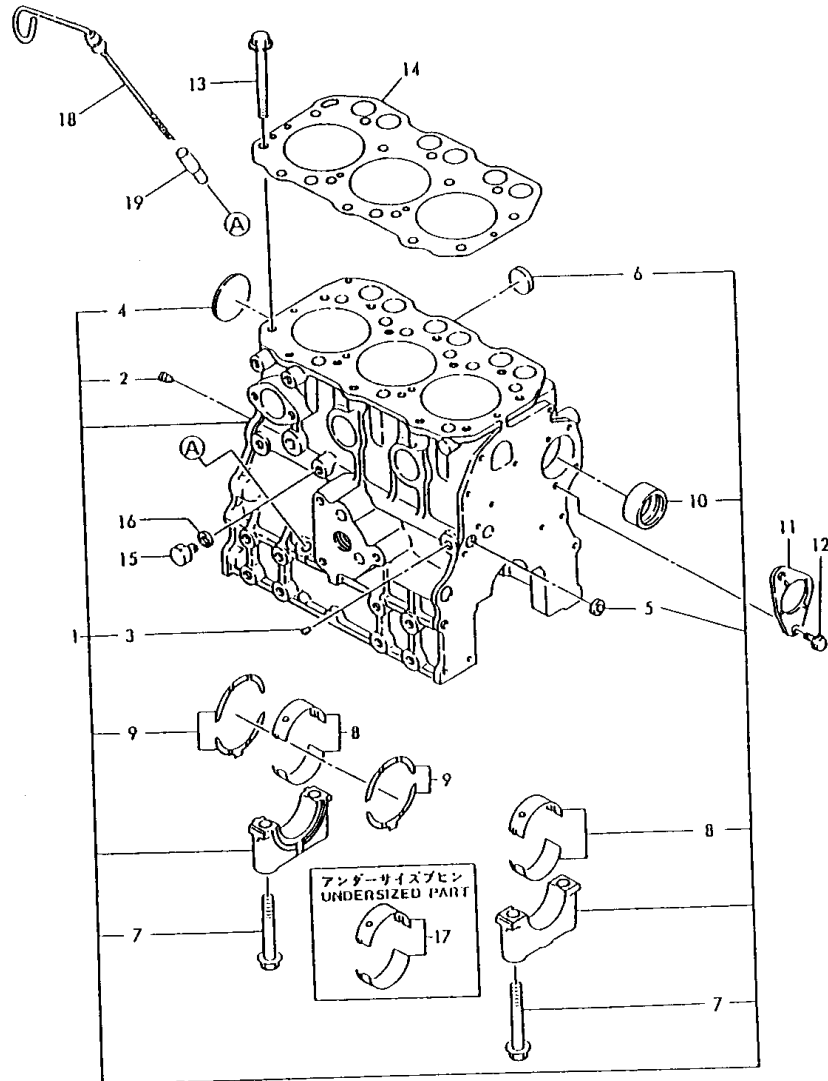
(D)=
 (E)=
 (F)=

No.	Lev.	Parts No.	Description	Q'ty						I	R
				(A)	(B)	(C)	(D)	(E)	(F)		
1	1	719260-01560	BLOCK ASSY, CYLINDER	1							
2	2	124060-01050	PLUG, PT1/8	2							
3	2	27221-060100	PLUG, 6X10	1							
4	2	27231-400000	PLUG 40	1							
5	2	27241-100000	PLUG, 10	2							
6	2	27241-250000	PLUG, 25	4							
7	2	27241-300000	PLUG 30	2							
8	2	119260-02020	BOLT, METAL CAP	8							
9	2	719260-02800	BEARING, MAIN	4							
10	2	719260-02930	BEARING, THRUST	2							
11	2	119260-02410	BUSH, CAMSHAFT	1							
12	1	119620-02450	BEARING, THRUST	1							
13	1	119260-01200	BOLT, HEAD	14							
14	1	119255-01340	GASKET, HEAD	1							
15	1	26106-060122	BOLT, M6X 12 PLATED	2							
16	1	719260-02870	BEARING, 0.25 US	1							1
17	1	119645-34800	DIPSTICK, OIL	1							
18	1	121520-34810	GUIDE, DIPSTICK	1							

Remarks
 (1) UNDER-SIZE PART.

Fig.2. CYLINDER BLOCK

D19600-01100
 D19620-02100
 D19620-02200
 D19645-34100



(A)=3TN66L-UHW
 (B)=3TNA68L-UHW
 (C)=3TNA72L-UHW

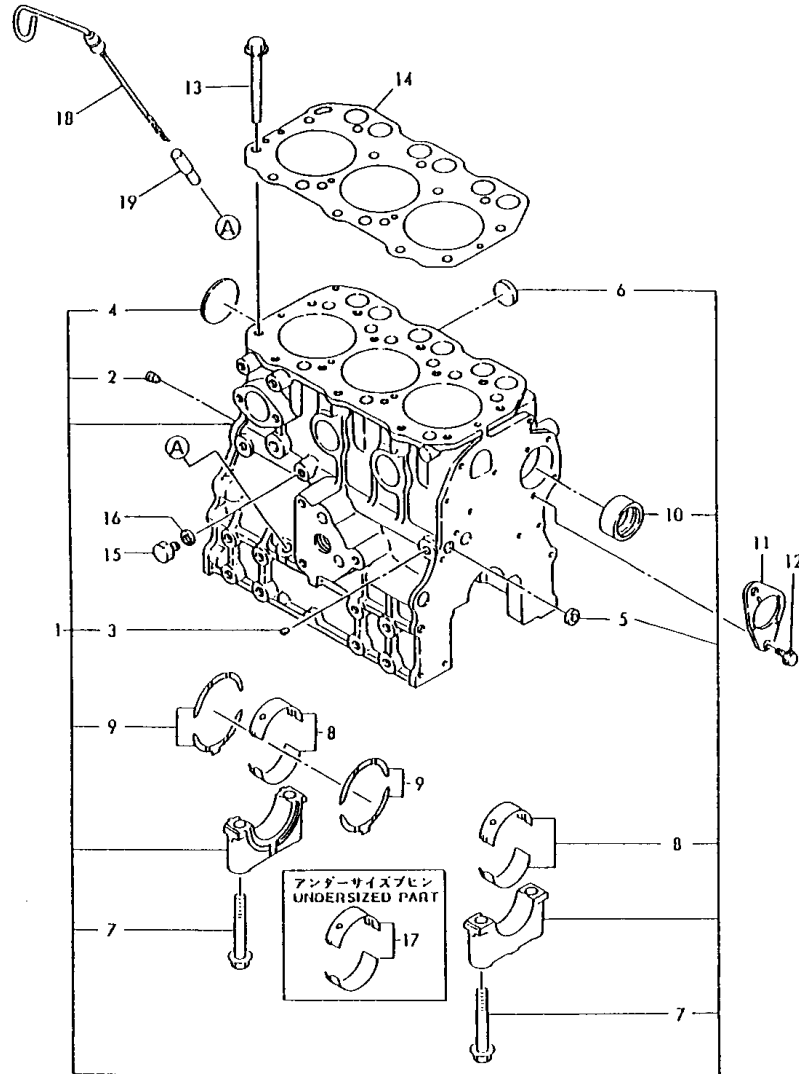
(D)=
 (E)=
 (F)=

No.	Lev.	Parts No.	Description	Q'ty						I	R
				(A)	(B)	(C)	(D)	(E)	(F)		
1	1	719600-01562	BLOCK ASSY, CYLINDER		1						
2	2	124160-01900	PLUG, PT1/4		1						
2-1	2	119600-01050	PLUG, PT1/4		1						N
(B=*1987.12)											
3	2	23871-010000	PLUG, R01		1						
4	2	27231-450000	PLUG 45		1						
5	2	27241-120000	PLUG, 12		1						
6	2	27241-300000	PLUG 30		6						
7	2	119620-02020	BOLT, METAL CAP		8						
8	2	719620-02800	BEARING, MAIN		4						
9	2	719620-02930	BEARING, THRUST		2						
10	2	119620-02410	BUSH, CAMSHAFT		1						
11	1	119620-02450	BEARING, THRUST		1						
12	1	26106-060122	BOLT, M6X 12 PLATED		2						
13	1	119620-01200	BOLT, HEAD		14						
14	1	119656-01340	GASKET, HEAD		1						
15	1	119656-01900	PLUG, 8		1						Z
(B=EXXX)											
16	1	104884-59170	GASKET		1						Z
(B=EXXX)											
17	1	719620-02870	BEARING, 0.25 US		4						1
18	1	119645-34800	DIPSTICK, OIL		1						
19	1	121520-34810	GUIDE, DIPSTICK		1						

Remarks
 (1) UNDER-SIZE PART.

Fig.3. CYLINDER BLOCK

019610-01100
 019620-02100
 019620-02200
 019645-34100



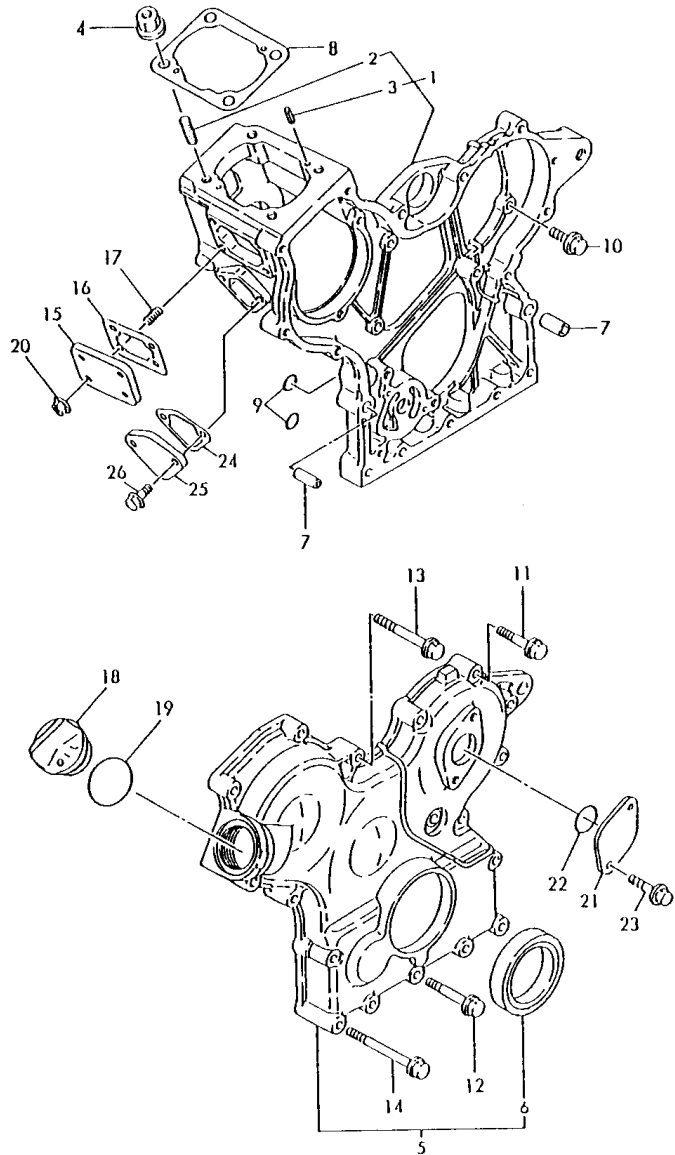
(A)=3TN66L-UHW (D)=
 (B)=3TNA68L-UHW (E)=
 (C)=3TNA72L-UHW (F)=

No.	Lev.	Parts No.	Description	Qty						I	R
				(A)	(B)	(C)	(D)	(E)	(F)		
1	1	719610-01560	BLOCK ASSY, CYLINDER			1					
2	2	124160-01910	PLUG, PT1/4			1					
2-1	2	119600-01050	PLUG, PT1/4			1					N
			(C=E18586)								
3	2	23871-010000	PLUG, R01			1					
4	2	27231-450000	PLUG 45			1					
5	2	27241-120000	PLUG, 12			1					
6	2	27241-300000	PLUG 30			6					
7	2	119620-02020	BOLT, METAL CAP			8					
8	2	719620-02800	BEARING, MAIN			4					
9	2	719620-02930	BEARING, THRUST			2					
10	2	119620-02410	BUSH, CAMSHAFT			1					
11	1	119620-02450	BEARING, THRUST			1					
12	1	26106-060122	BOLT, M6X 12 PLATED			2					
13	1	119620-01200	BOLT, HEAD			14					
14	1	119610-01340	GASKET, HEAD			1					
15	1	119656-01900	PLUG, 8			1					Z
			(C=EXXX)								
16	1	104884-59170	GASKET			1					Z
			(C=EXXX)								
17	1	719620-02870	BEARING, 0.25 US			4					1
18	1	119645-34800	DIPSTICK, OIL			1					
19	1	121520-34810	GUIDE, DIPSTICK			1					

Remarks
 (1) UNDER-SIZE PART.

Fig.4. GEAR HOUSING

D19260-01200
 D19600-01300
 D19600-01800
 D19600-52200

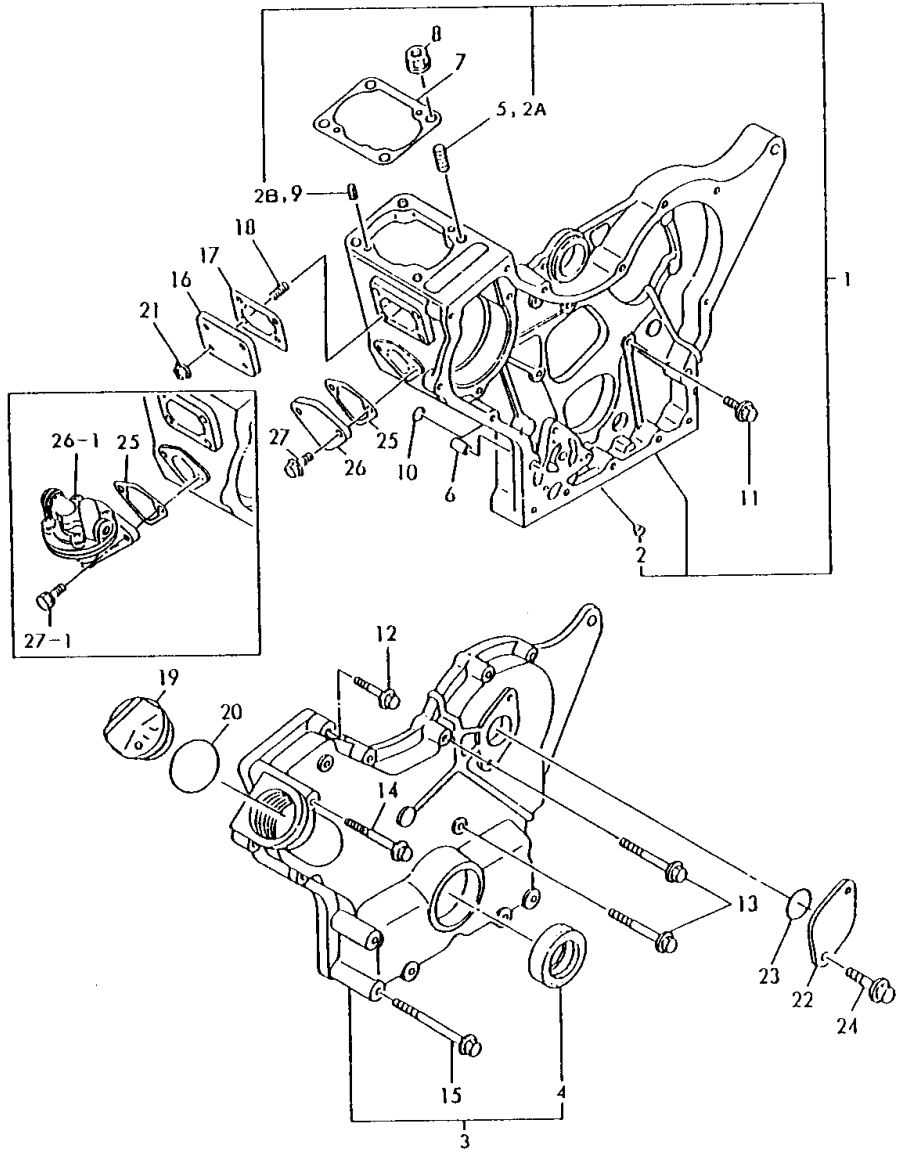


(A)=3TN66L-UHW
 (B)=3TNA68L-UHW
 (C)=3TNA72L-UHW

(D)=
 (E)=
 (F)=

No.	Lev.	Parts No.	Description	Q'ty						I	R
				(A)	(B)	(C)	(D)	(E)	(F)		
1	1	119260-01490	CASE ASSY, GEAR	1							W
(A=*1987.11)											
2	2	121450-01560	STUD, M8X22	4							
3	2	22351-040010	PIN, SPRING 4.0X10	2							
4	1	194990-22050	NUT, M8	4							
5	1	119260-01590	COVER ASSY,GEAR CASE	1							W
(A=*1990.05)											
6	2	119620-01800	SEAL, OIL	1							
7	1	119660-01911	PIPE, KNOCK	4							
8	1	119620-01950	SHIM SET, ADJUSTING	1							
9	1	24311-000120	O-RING, 1AP12.0	2							
10	1	26106-060162	BOLT, M6X 16 PLATED	5							
11	1	26106-060302	BOLT, M6X 30 PLATED	5							
12	1	26106-060402	BOLT, M6X 40 PLATED	3							
13	1	26106-060502	BOLT, M6X 50 PLATED	4							
14	1	26106-060652	BOLT, M6X 65 PLATED	6							
15	1	119660-01551	COVER	1							
16	1	119660-01561	GASKET	1							
16-1	1	119660-01562	GASKET	1							N
(A=*1990.01)											
17	1	119660-01570	STUD, M6X12	4							
18	1	124160-01751	COVER, FILLER	1							
19	1	121420-01760	O-RING	1							
19-1	1	24311-000320	O-RING, 1AP32.0	1							N
(A=*1988.04)											
20	1	26366-060002	NUT, M6	4							
21	1	121023-01550	COVER	1							
22	1	24341-000260	O-RING, 1AS26.0	1							
22-1	1	24341-000240	O-RING, 1AS24.0	1							S
(A=*1989.01)											
23	1	26106-060182	BOLT, M6X 18 PLATED	2							
24	1	121520-01850	GASKET	1							
24-1	1	121520-01851	GASKET	1							N
(A=*1990.01)											
25	1	121520-01860	COVER	1							
26	1	26106-060162	BOLT, M6X 16 PLATED	2							

Fig.5. GEAR HOUSING



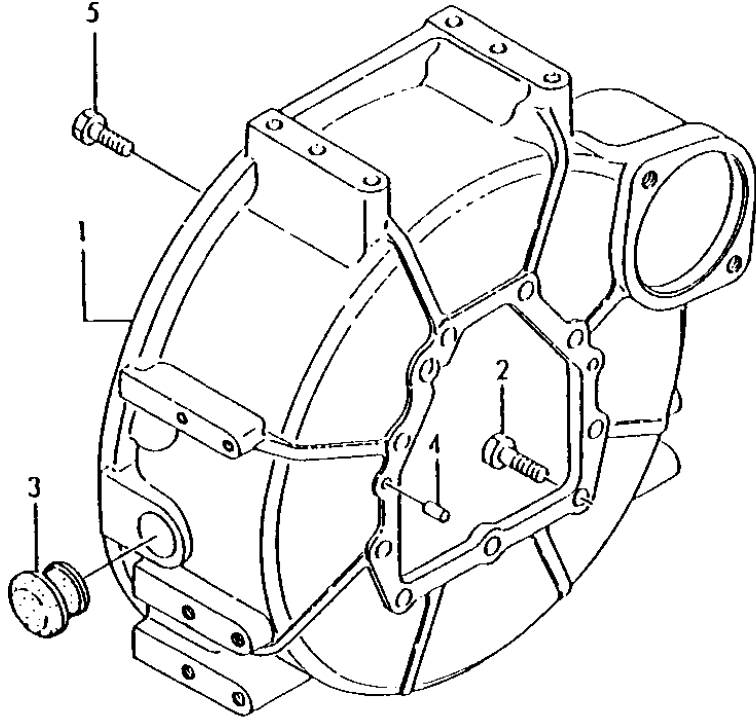
019610-01200
 019600-01300
 019600-01800
 019600-52100
 019600-52200

(A)=3TN66L-UHW (D)=
 (B)=3TNA68L-UHW (E)=
 (C)=3TNA72L-UHW (F)=

No.	Lev.	Parts No.	Description	Q'ty						I	R
				(A)	(B)	(C)	(D)	(E)	(F)		
1	1	119610-01490	CASE ASSY, GEAR	1	1						
2	2	119660-01510	PLUG, 10X14	1	1						
2A	2	121450-01560	STUD, M8X22	4	4						W
		(B=*1987.12) (C=E18586)									
2B	2	22351-040010	PIN, SPRING 4.0X10	2	2						W
		(B=*1987.12) (C=E18586)									
3	1	119610-01590	COVER ASSY,GEAR CASE	1	1						W
		(B=*1990.05) (C=*1990.05)									
4	2	119620-01800	SEAL, OIL	1	1						
5	1	121450-01560	STUD, M8X22	4	4						Z
		(B=*1987.12) (C=E18586)									
6	1	119660-01911	PIPE, KNOCK	4	4						
7	1	119620-01950	SHIM SET, ADJUSTING	1	1						
8	1	194990-22050	NUT, M8	4	4						
9	1	22351-040010	PIN, SPRING 4.0X10	2	2						Z
		(B=*1987.12) (C=E18586)									
10	1	24311-000120	O-RING, 1AP12.0	2	2						
11	1	26106-060162	BOLT, M6X 16 PLATED	7	7						
12	1	26106-060302	BOLT, M6X 30 PLATED	8	8						
13	1	26106-060602	BOLT, M6X 60 PLATED	3	3						
14	1	26106-060602	BOLT, M6X 60 PLATED	1	1						
15	1	26106-060802	BOLT, M6X 80 PLATED	6	6						
16	1	119660-01551	COVER	1	1						
17	1	119660-01561	GASKET	1	1						
17-1	1	119660-01562	GASKET	1	1						N
		(B=*1990.01) (C=*1990.01)									
18	1	119660-01570	STUD, M6X12	4	4						
19	1	124160-01751	COVER, FILLER	1	1						
20	1	121420-01760	O-RING	1	1						
20-1	1	24311-000320	O-RING, 1AP32.0	1	1						N
		(B=*1988.04) (C=E21755)									
21	1	26366-060002	NUT, M6	4	4						
22	1	121023-01550	COVER	1	1						
23	1	24341-000260	O-RING, 1AS26.0	1	1						
23-1	1	24341-000240	O-RING, 1AS24.0	1	1						S
		(B=*1989.01) (C=E25840)									
24	1	26106-060182	BOLT, M6X 18 PLATED	2	2						
25	1	121520-01850	GASKET	1	1						
25-1	1	121520-01851	GASKET	1	1						N
		(B=*1990.01) (C=*1990.01)									
26	1	121520-01860	COVER	1	1						
26-1	1	119600-52021	PUMP ASSY, FUEL FEED			1					S
		(C=E18586)									
27	1	26106-060162	BOLT, M6X 16 PLATED	2	2						
27-1	1	26014-060202	BOLT, M6X 20			2					S
		(C=E18586)									

Fig.6. FLYWHEEL HOUSING

019600-01400



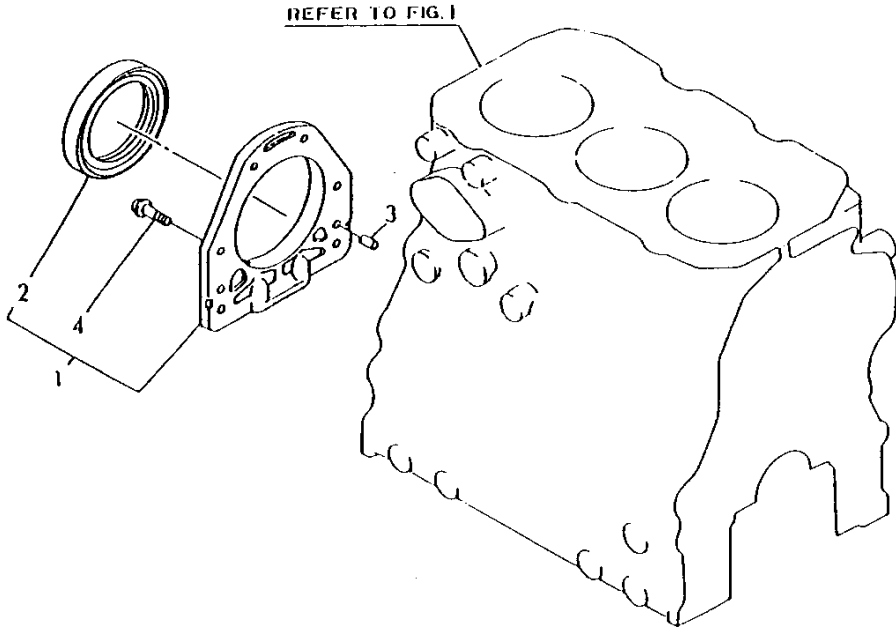
(A)=3TN66L-UHW
 (B)=3TNA68L-UHW
 (C)=3TNA72L-UHW

(D)=
 (E)=
 (F)=

No.	Lev.	Parts No.	Description	Qty						I	R
				(A)	(B)	(C)	(D)	(E)	(F)		
1	1	119600-01600	HOUSING, FLYWHEEL	1	1	1					
2	1	121120-01620	BOLT, M10X28	3	3	3					
3	1	119620-01750	CAP	1	1	1					
4	1	129100-01580	PIN, M8X16	2	2	2					
5	1	26206-100252	BOLT, M10X 25 PLATED	6	6	6					

Fig.7. OIL SEAL HOUSING

019600-01500

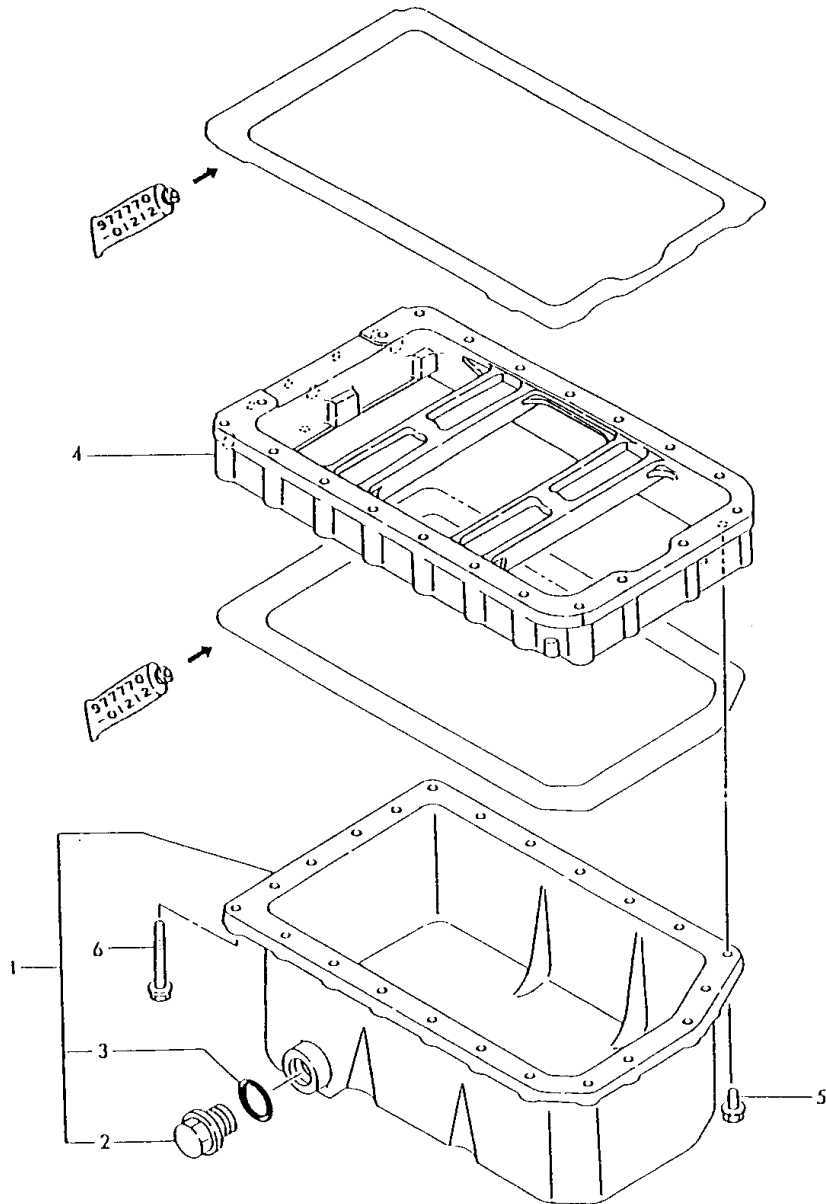


(A)=3TN66L-UHW
 (B)=3TNA68L-UHW
 (C)=3TNA72L-UHW
 (D)=
 (E)=
 (F)=

No.	Lev.	Parts No.	Description	Q'ty						I	R
				(A)	(B)	(C)	(D)	(E)	(F)		
1	1	119660-01640 (A=*1990.05)	CASE ASSY, OIL SEAL (B=*1990.05) (C=*1990.05)	1	1	1					W
2	2	124085-02220	SEAL, OIL	1	1	1					
3	1	119620-01620	PIN, M6X10	2	2	2					
4	1	26106-060202	BOLT, M6X 20 PLATED	10	10	10					
4-1	1	26106-060222	BOLT, M6X 22 PLATED	10	10	10					N
		(A=EXXX)	(B=EXXX)	(C=EXXX)							

Fig.8. LUB.OIL SUMP

D19260-01710



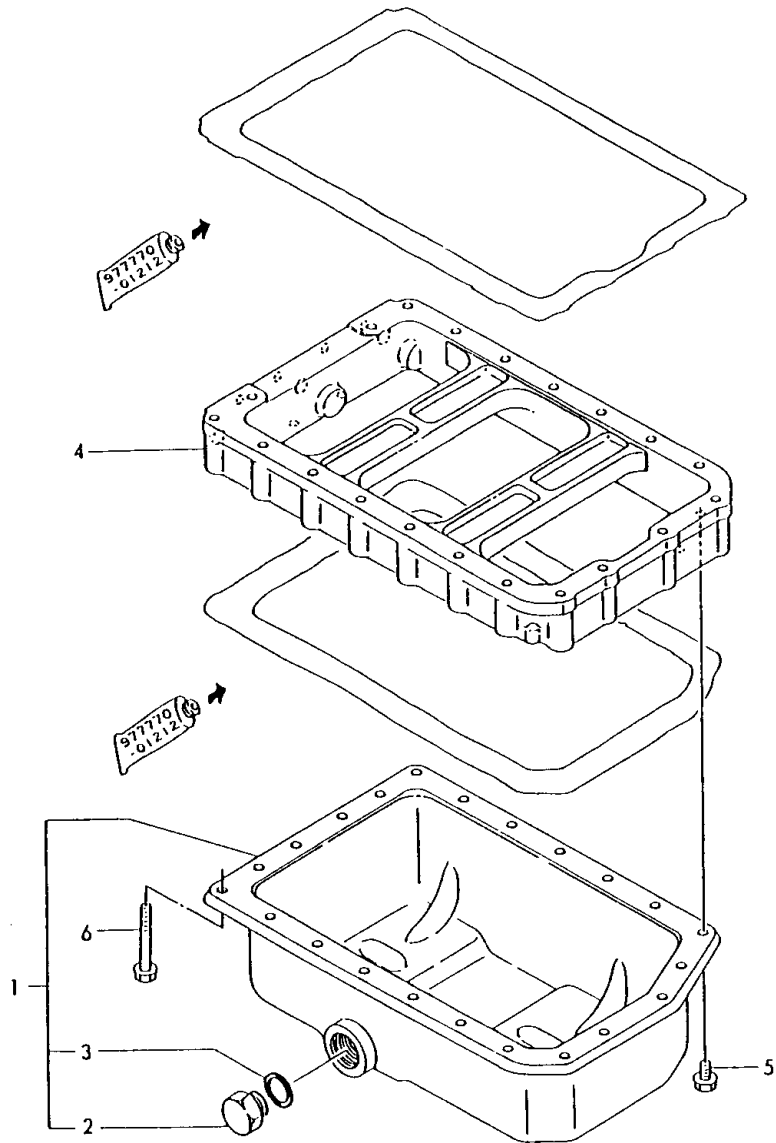
(A)=3TN66L-UHW
(B)=3TNA68L-UHW
(C)=3TNA72L-UHW

(D)=
(E)=
(F)=

No.	Lev.	Parts No.	Description	Q'ty						I	R
				(A)	(B)	(C)	(D)	(E)	(F)		
1	1	719288-01540	SUMP ASSY, OIL	1							
1-1	1	119260-01770	SUMP ASSY, OIL	1							N
(A=*1990.)											
2	2	121400-01640	PLUG, 16	1							
3	2	24311-000180	O-RING, 1AP18.0	1							
4	1	119454-01721	SPACER, OIL SUMP	1							
5	1	26106-060102	BOLT, M6X 10 PLATED	3							
6	1	26106-060452	BOLT, M6X 45 PLATED	20							

Fig.9. LUB.OIL SUMP

D19600-01700



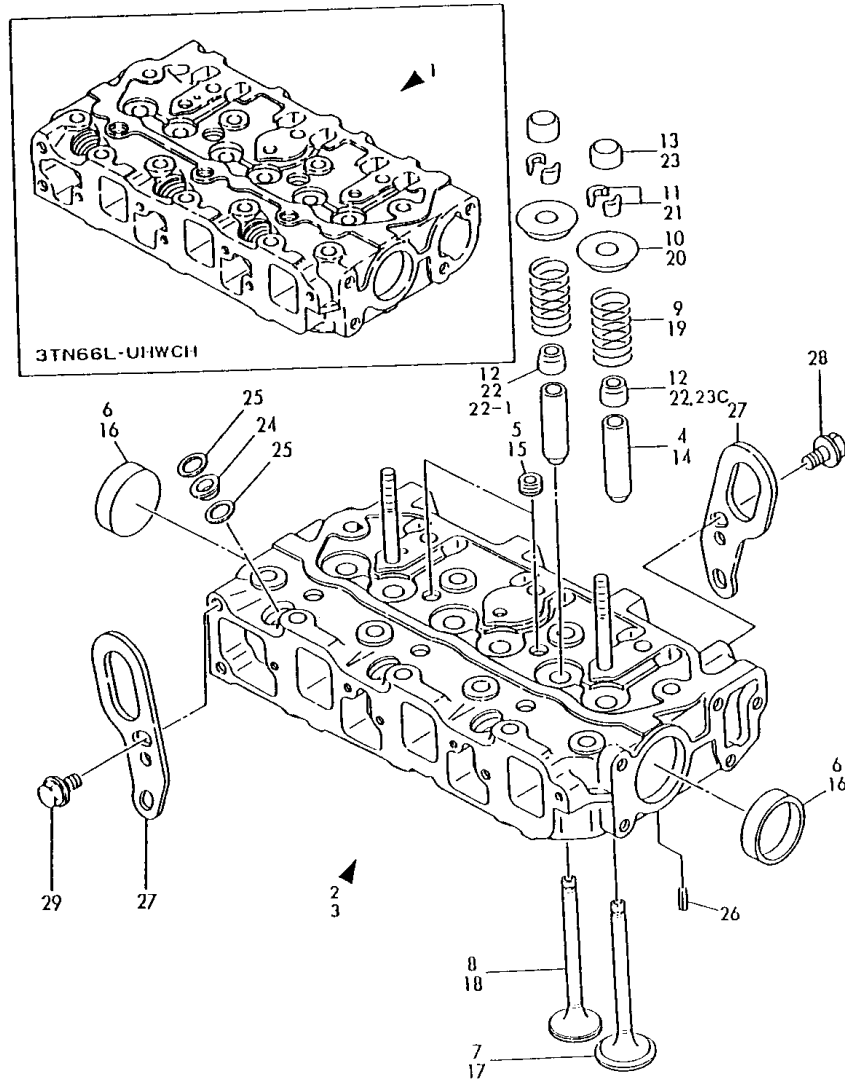
(A)=3TN66L-UHW
 (B)=3TNA68L-UHW
 (C)=3TNA72L-UHW
 (D)=
 (E)=
 (F)=

No.	Lev.	Parts No.	Description	Q'ty						I	R	
				(A)	(B)	(C)	(D)	(E)	(F)			
1	1	719600-01541	SUMP ASSY, OIL		1	1						
1-1	1	119600-01770	SUMP ASSY, OIL		1	1						N
		(B=*1990.)	(C=*1990.)									
2	2	171301-01640	PLUG, 22		1	1						
3	2	24341-000240	O-RING, 1AS24.0		1	1						
4	1	119600-01722	SPACER, OIL SUMP		1	1						
5	1	26106-060122	BOLT, M6X 12 PLATED		3	3						
6	1	26106-060452	BOLT, M6X 45 PLATED		20	20						

Fig.10. CYLINDER HEAD

(A)=3TN66L-UHW (D)=
 (B)=3TNA68L-UHW (E)=
 (C)=3TNA72L-UHW (F)=

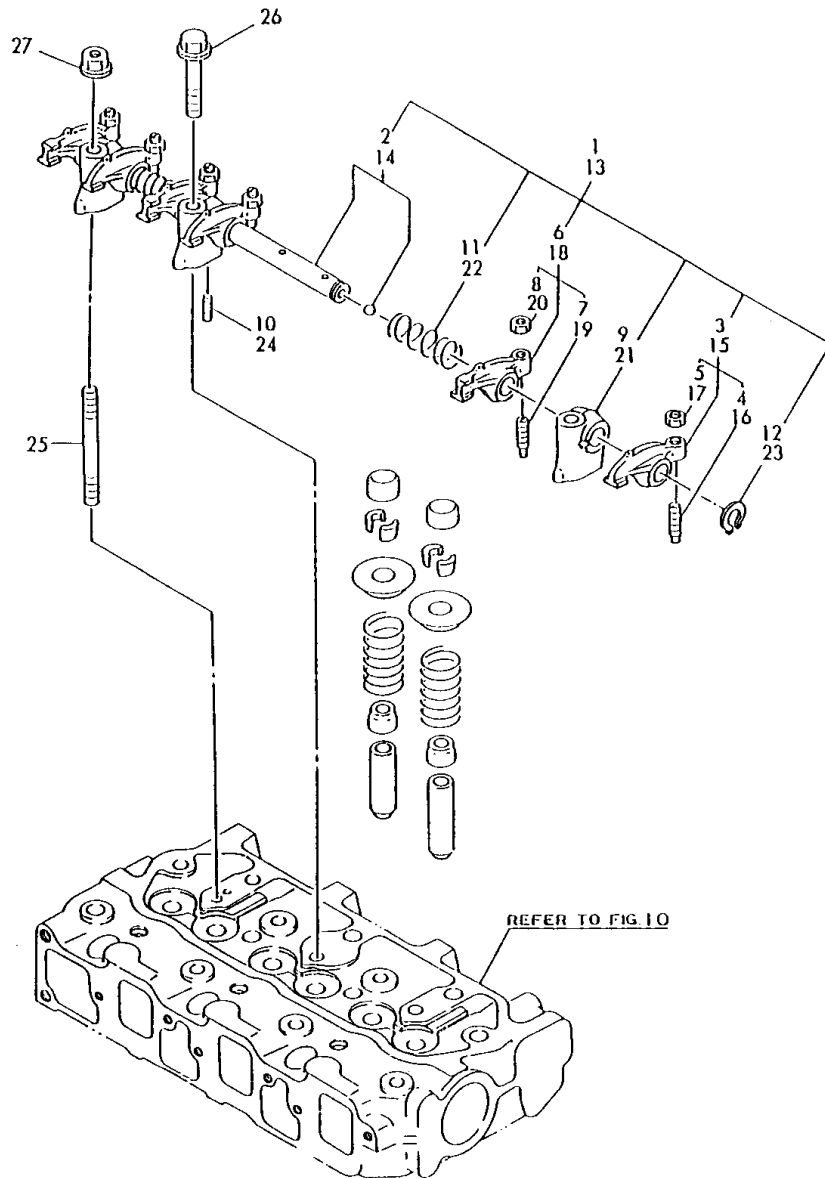
D19600-07300
 D19260-11100
 D19600-11110
 D19620-11102



No.	Lev.	Parts No.	Description	Q'ty						I	R
				(A)	(B)	(C)	(D)	(E)	(F)		
1	1	719260-11700	HEAD ASSY, CYLINDER	1							
2	1	719600-11700	HEAD ASSY, CYLINDER		1						
3	1	719620-11700	HEAD ASSY, CYLINDER			1					
4	2	119260-11800	GUIDE, VALVE	6							1
5	2	121850-11860	PLUG, PT1/4	2							
6	2	27241-350000	PLUG, 35	2							
7	2	119260-11100	VALVE, INTAKE	3							
8	2	119260-11110	VALVE, EXHAUST	3							
9	2	114250-11120	SPRING, VALVE	6							
10	2	114250-11180	RETAINER, SPRING	6							
11	2	114250-11190	COTTER	6							
12	2	119260-11340	SEAL, VALVE STEM	6							
13	2	119260-11370	CAP, VALVE	6							
14	2	119620-11801	GUIDE, VALVE		6	6					1
15	2	121850-11860	PLUG, PT1/4		2	2					
16	2	27241-400000	PLUG, 40		2	2					
17	2	119620-11100	VALVE, INTAKE	3							
18	2	119620-11110	VALVE, EXHAUST	3							
19	2	119620-11120	SPRING, VALVE	6							
20	2	119620-11180	RETAINER, SPRING	6							
21	2	101158-11190	COTTER	6							
22	2	124950-11340	SEAL, VALVE STEM	6							
22-1	2	124950-11340 (B=E07233) (C=E15989)	SEAL, VALVE STEM	3							K
23	2	104211-11370	CAP, VALVE		6	6					
23C	2	124160-11340 (B=E07233) (C=E15989)	SEAL, VALVE STEM		3	3					W
24	1	119600-11450	PROTECTOR, NOZZLE	3	3	3					
25	1	119600-11460	GASKET, NOZZLE	6	6	6					
26	1	22351-060012	PIN, SPRING 6.0X12	2	2	2					
27	1	119260-07900	LIFTER	2	2	2					
28	1	26106-080142	BOLT, M8X 14 PLATED	1	1	1					
29	1	26106-080142	BOLT, M8X 14 PLATED	2	2	2					

Remarks
 (1)REPAIR PART.

Fig.11. VALVE ROCKER ARM



019260-11200
019620-11200

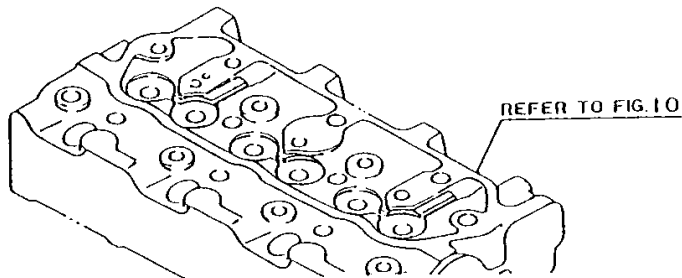
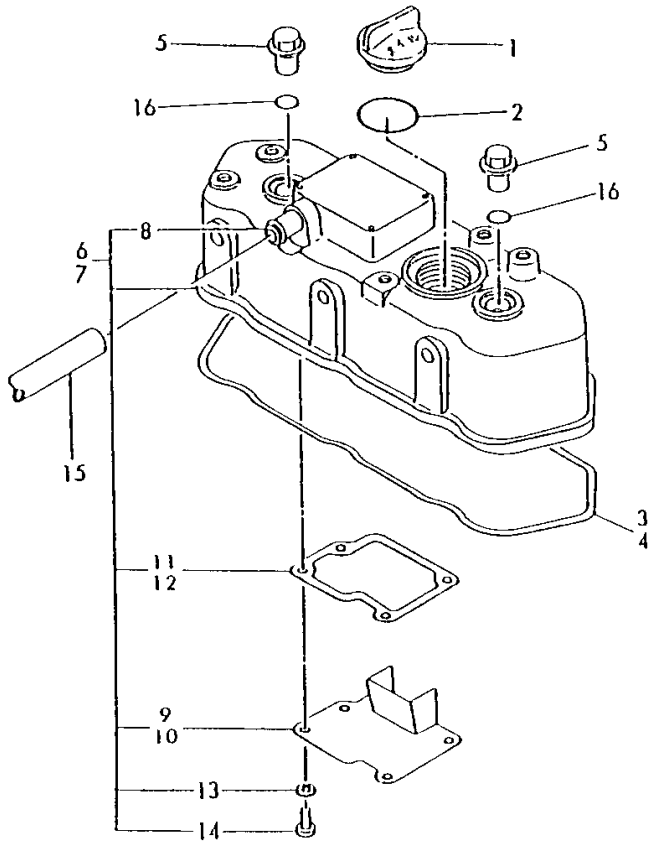
(A)=3TN66L-UHW
(B)=3TNA68L-UHW
(C)=3TNA72L-UHW

(D)=
(E)=
(F)=

No.	Lev.	Parts No.	Description	Qty						I	R
				(A)	(B)	(C)	(D)	(E)	(F)		
1	1	119260-11200	SUPPORT ASSY, ARM	1							
2	2	119260-11240	SHAFT ASSY, ROCKER	1							
3	2	719260-11650	ARM ASSY, ROCKER	3							
4	3	105010-11230	SCREW, VALVE ADJUST	3							
5	3	26756-060002	NUT, LOCK M6	3							
6	2	719260-11660	ARM ASSY, ROCKER	3							
7	3	105010-11230	SCREW, VALVE ADJUST	3							
8	3	26756-060002	NUT, LOCK M6	3							
9	2	119260-11260	SUPPORT, ROCKER ARM	3							
10	2	119260-11270	SCREW	1							
11	2	119260-11280	SPRING	2							
12	2	22242-000100	RING, 10	2							
13	1	119620-11200	SUPPORT ASSY, ARM		1	1					
14	2	119620-11240	SHAFT ASSY, ROCKER		1	1					
15	2	719620-11650	ARM ASSY, ROCKER		3	3					
16	3	105010-11230	SCREW, VALVE ADJUST		3	3					
17	3	26756-060002	NUT, LOCK M6		3	3					
18	2	719620-11660	ARM ASSY, ROCKER		3	3					
19	3	105010-11230	SCREW, VALVE ADJUST		3	3					
20	3	26756-060002	NUT, LOCK M6		3	3					
21	2	119620-11260	SUPPORT, ROCKER ARM		3	3					
22	2	119620-11280	SPRING		2	2					
23	2	22242-000120	RING, 12		2	2					
24	2	26979-050162	SCREW, M5X16		1	1					
25	1	119620-11350	STUD		2	2	2				
26	1	26106-080452	BOLT, M8X 45 PLATED		1	1	1				
27	1	26366-080002	NUT, M8		2	2	2				

Fig.12. BONNET

D19241-03100
 D19643-03100
 D19260-11310
 D19610-11300
 D19247-93100
 D19647-93100
 D19647-93110

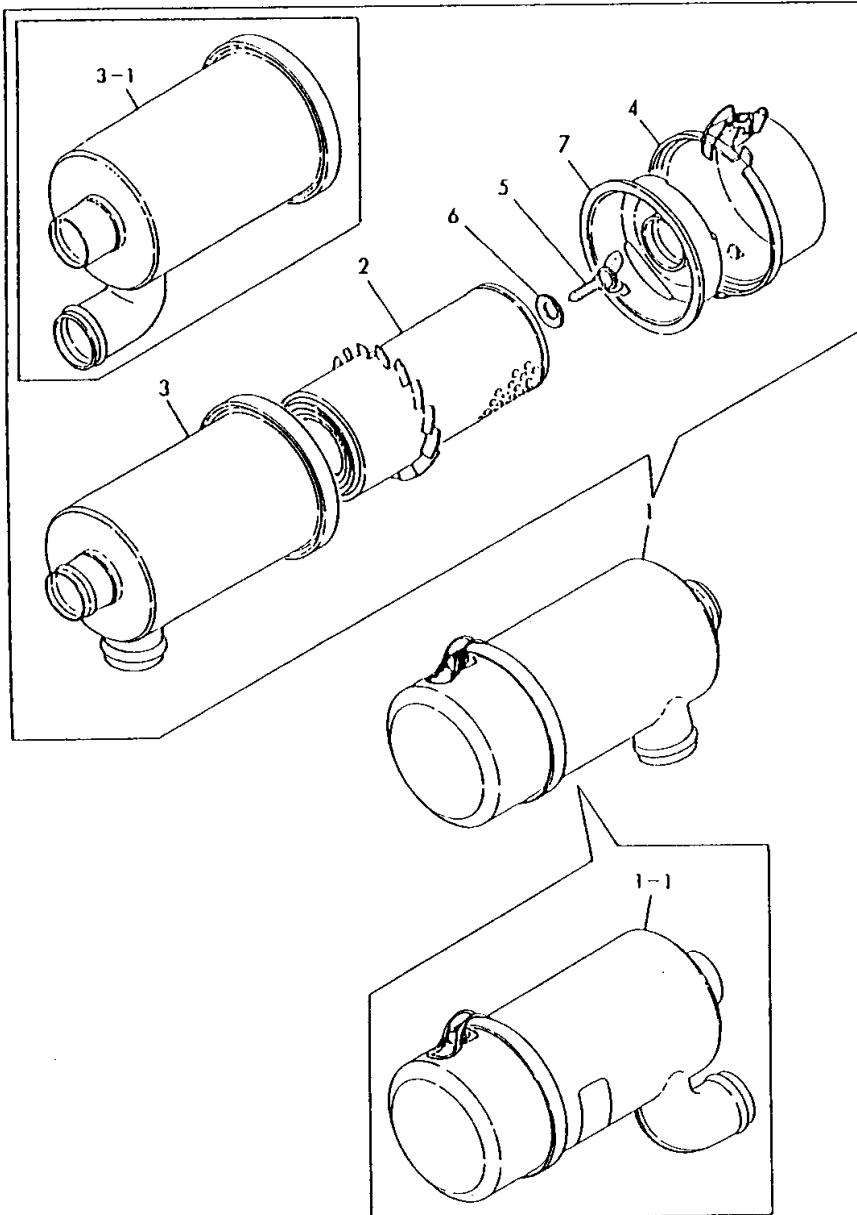


(A)=3TN66L-UHW (D)=
 (B)=3TNA68L-UHW (E)=
 (C)=3TNA72L-UHW (F)=

No.	Lev.	Parts No.	Description	Qty						I	R
				(A)	(B)	(C)	(D)	(E)	(F)		
1	1	124160-01751	COVER, FILLER	1	1	1					
2	1	121420-01760	O-RING	1	1	1					
2-1	1	24311-000320	O-RING, 1AP32.0	1	1	1					N
3	1	119260-11310	GASKET, BONNET	1							
4	1	119620-11310	GASKET, BONNET		1	1					
5	1	124160-11360	KNOB	2	2	2					
6	1	719260-11520	BONNET ASSY, HEAD	1							
7	1	719620-11520	BONNET ASSY, HEAD		1	1					
8	2	119620-11390	JOINT	1	1	1					
9	2	119260-03020	PLATE, SHELTER	1							
10	2	119620-03020	PLATE, SHELTER		1	1					
11	2	119260-03030	GASKET	1							
11-1	2	119260-03031	GASKET	1							N
12	2	119620-03030	GASKET		1	1					
12-1	2	119620-03031	GASKET		1	1					N
13	2	22217-050000	WASHER, SPRING 5	4	4	4					
14	2	26557-050102	SCREW, M5X10	4	4	4					
15	1	23065-120800	PIPE, 12X 800	1	1	1					
16	1	24311-000120	O-RING, 1AP12.0	2	2	2					

Fig.13. AIR CLEANER

D19247-93100
 D19647-93100
 D19647-93110



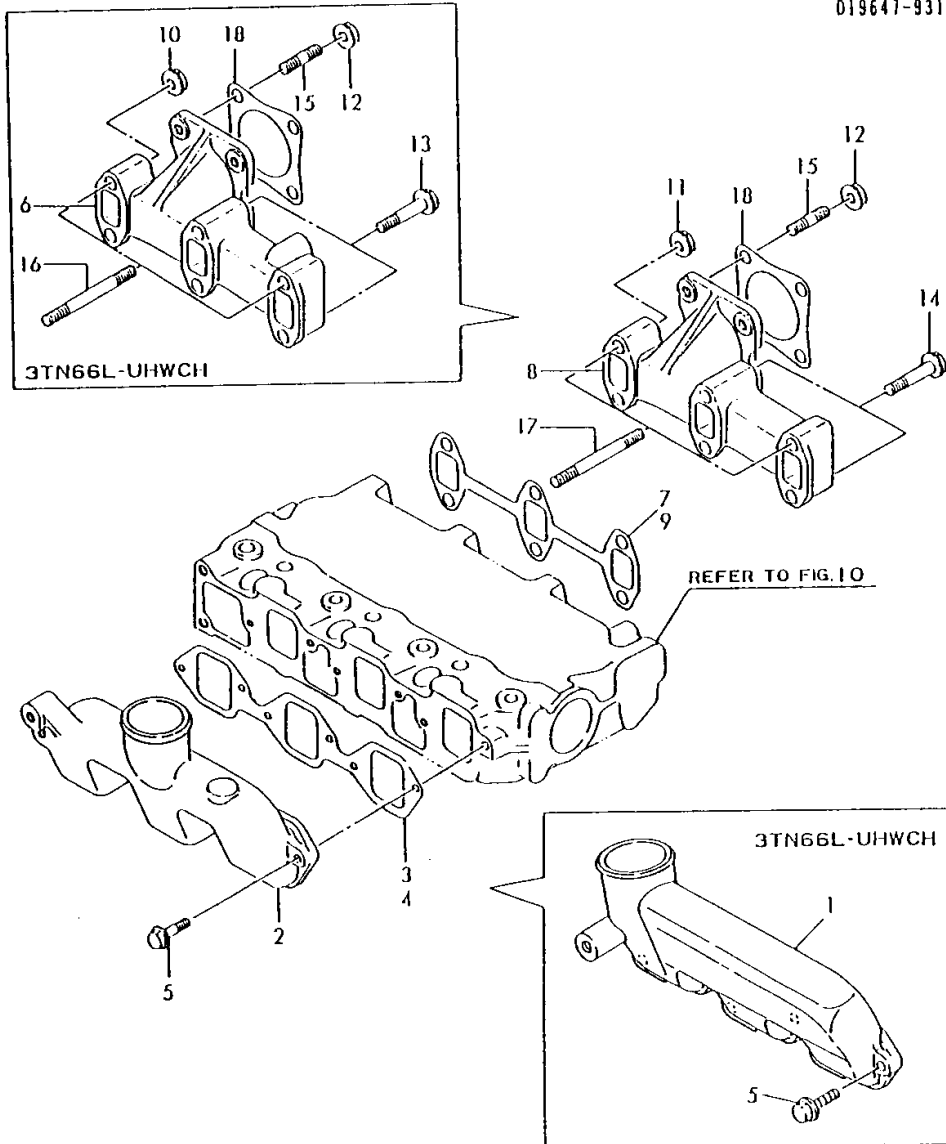
(A)=3TN66L-UHW
 (B)=3TNA68L-UHW
 (C)=3TNA72L-UHW

(D)=
 (E)=
 (F)=

No.	Lev.	Parts No.	Description	Qty						I	R
				(A)	(B)	(C)	(D)	(E)	(F)		
1	1	171033-12500	CLEANER ASSY, AIR	1	1	1					
1-1	1	121465-12500	CLEANER ASSY, AIR (C=E18586)			1					R
2	2	171033-12510	ELEMENT	1	1	1					
2-1	2	121465-12510	ELEMENT (C=E18586)			1					R
3	2	171033-12540	CASE ASSY, CLEANER	1	1	1					
3-1	2	121465-12650	CASE ASSY (C=E18586)			1					R
4	2	171033-12560	PAN ASSY, DUST	1	1	1					
4-1	2	121465-12660	PAN, DUST (C=E18586)			1					R
5	2	124064-12680	BOLT	1	1	1					
6	2	124064-12690	WASHER	1	1	1					
7	2	121465-12700	RETAINER, ELEMENT	1	1	1					

Fig.14. SUCTION & EXHAUST MANIFOLD

D19225-12200
 D19620-12200
 D19260-13100
 D19600-13200
 D19247-93100
 D19647-93100
 D19641-93110



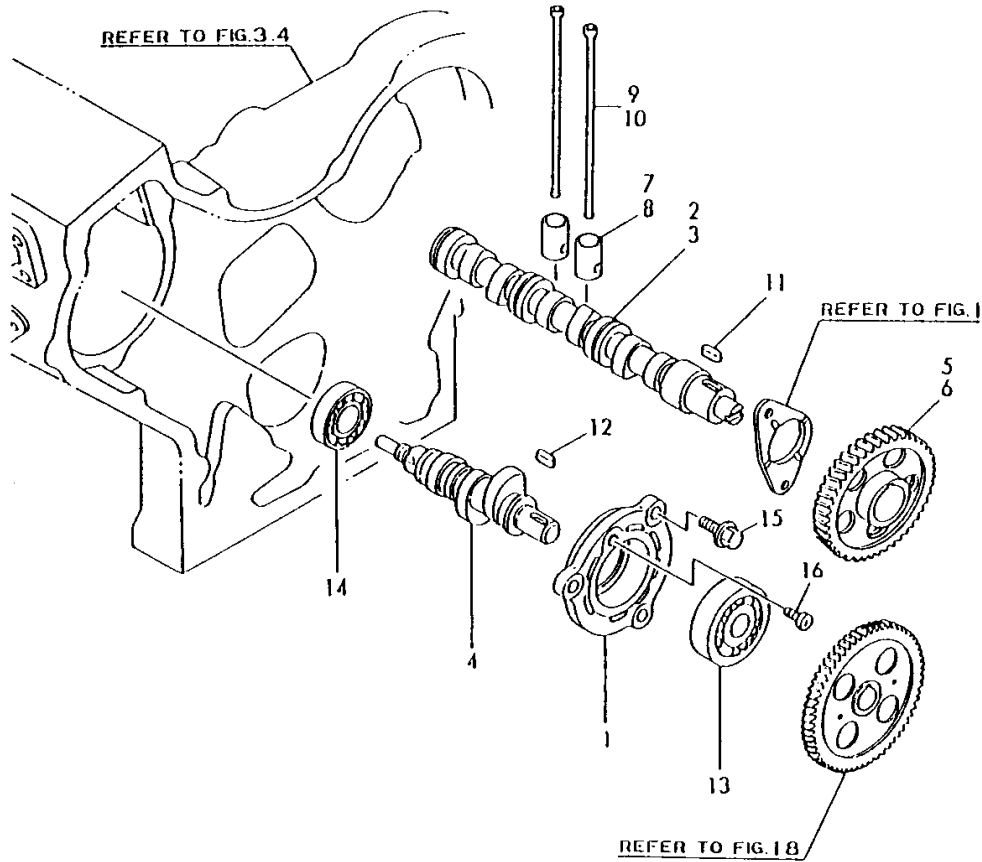
(A)=3TN66L-UHW
 (B)=3TNA68L-UHW
 (C)=3TNA72L-UHW

(D)=
 (E)=
 (F)=

No.	Lev.	Parts No.	Description	Q'ty						I	R
				(A)	(B)	(C)	(D)	(E)	(F)		
1	1	119260-12100	MANIFOLD, AIR INTAKE	1							
2	1	119620-12101	MANIFOLD, AIR INTAKE		1	1					
3	1	119260-12111	GASKET, MANIFOLD	1							
3-1	1	119260-12111 (A=*1990.06)	GASKET, MANIFOLD	1							N
4	1	119620-12110	GASKET, MANIFOLD		1	1					
4-1	1	119620-12111 (B=*1990.04) (C=*1990.04)	GASKET, MANIFOLD		1	1					N
5	1	26106-060202	BOLT, M6X 20 PLATED	4	6	6					
6	1	119260-13100	MANIFOLD, EXHAUST	1							
7	1	119260-13110	GASKET	1							
8	1	119600-13100	MANIFOLD, EXHAUST		1	1					
9	1	119620-13110	GASKET		1	1					
10	1	26366-060002	NUT, M6	2							
11	1	194990-22050	NUT, M8		2	2					
12	1	194990-22050	NUT, M8	4	4	4					
13	1	26106-060352	BOLT, M6X 35 PLATED	4							
14	1	26106-080402	BOLT, M8X 40 PLATED		4	4					
15	1	26216-080222	STUD, M8X 22	4	4	4					
16	1	26216-060402	STUD, M6X 40	2							
17	1	26216-080552	STUD, M8X 55		2	2					
18	1	121000-13200	GASKET, SILENCER	1	1	1					

Fig.15. CAMSHAFT

019260-14100
 019660-14101
 019260-14200



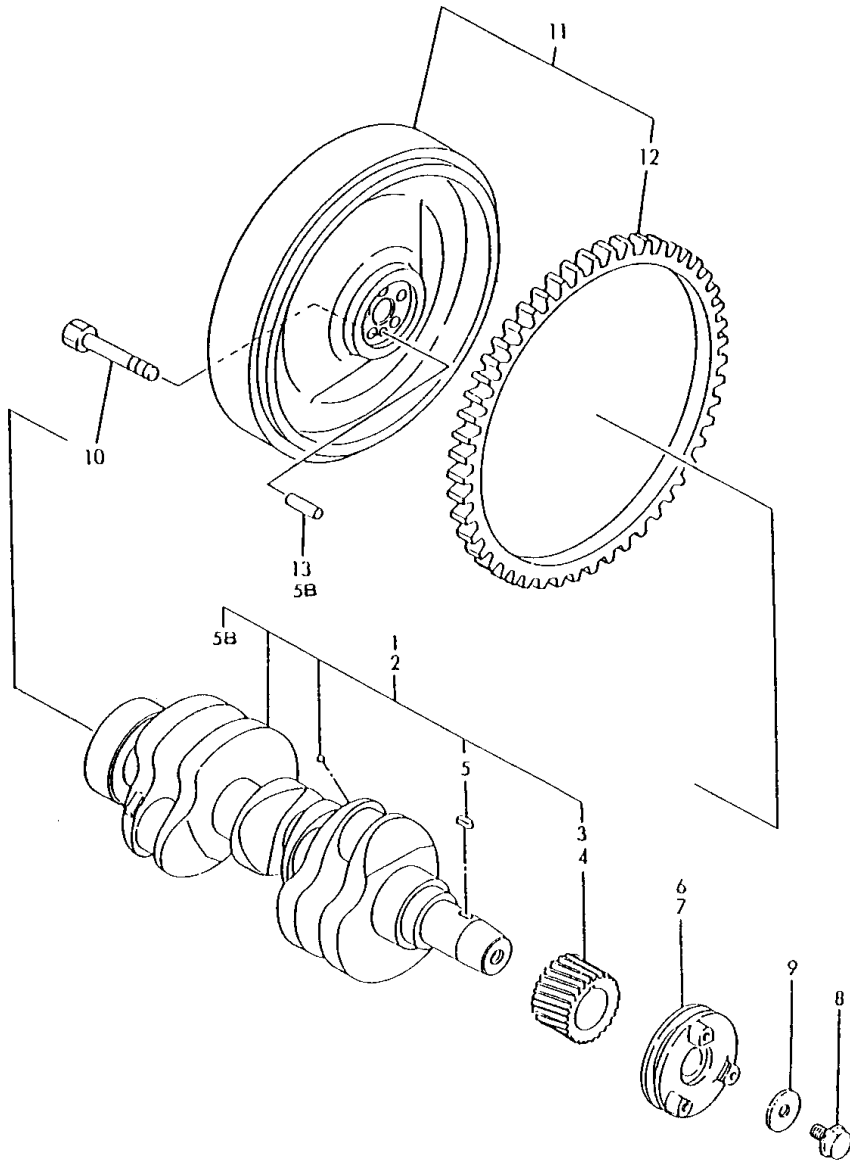
(A)=3TN66L-UHW
 (B)=3TNA68L-UHW
 (C)=3TNA72L-UHW

(D)=
 (E)=
 (F)=

No.	Lev.	Parts No.	Description	Q'ty						I	R
				(A)	(B)	(C)	(D)	(E)	(F)		
1	1	119660-01821	BEARING, FUEL CAM	1	1	1					
2	1	119260-14010	CAMSHAFT	1							
3	1	119620-14010	CAMSHAFT		1	1					
4	1	119660-14092	CAMSHAFT	1	1	1					
5	1	119260-14100	GEAR, CAMSHAFT	1							
6	1	119620-14100	GEAR, CAMSHAFT		1	1					
7	1	119260-14200	TAPPET	6							
8	1	119620-14200	TAPPET		6	6					
9	1	119260-14400	ROD, PUSH	6							
10	1	119620-14400	ROD, PUSH		6	6					
11	1	22512-040120	KEY, 4X 12	1	1	1					
12	1	22512-040120	KEY, 4X 12	1	1	1					
13	1	24101-062034	BEARING, BALL 6203	1	1	1					
14	1	24102-063034	BEARING, BALL 6303U	1	1	1					
15	1	26106-060162	BOLT, M6X 16 PLATED	3	3	3					
16	1	26587-080102	SCREW, M8X10	1	1	1					

Fig.16. CRANKSHAFT & FLYWHEEL

019260-21100
 019660-21101
 019260-21300
 019649-21300
 019600-21210
 019643-21200



(A)=3TN66L-UHW
 (B)=3TNA68L-UHW
 (C)=3TNA72L-UHW

(D)=
 (E)=
 (F)=

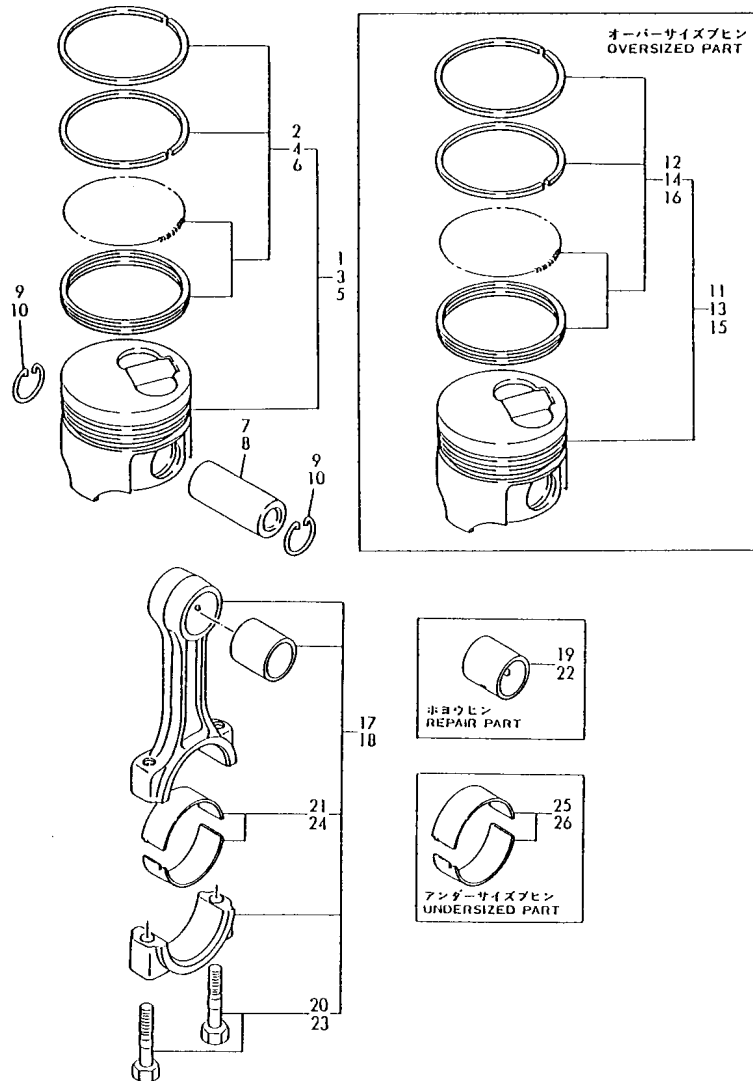
No.	Lev.	Parts No.	Description	Qty						I	R
				(A)	(B)	(C)	(D)	(E)	(F)		
1	1	719260-21700	CRANKSHAFT ASSY	1							
2	1	719660-21701	CRANKSHAFT ASSY		1	1					
2-1	1	719660-21700	CRANKSHAFT ASSY		1	1					N
		(B=*1990.)	(C=*1990.)								
3	2	119260-21200	GEAR, CRANKSHAFT	1							
4	2	119660-21201	GEAR, CRANKSHAFT		1	1					
5	2	22512-040120	KEY, 4X 12	1	1	1					
5B	2	129100-01580	PIN, M8X16	1	1	1					W
		(A=*1990.)	(B=*1990.)								
6	1	119260-21650	V-PULLEY	1							
7	1	119649-21650	V-PULLEY		1	1					
8	1	119621-21680	BOLT, FLANGE 12X1.25	1	1	1					
9	1	119620-21941	WASHER	1	1	1					
10	1	121111-21501	BOLT, FLYWHEEL	5	5	5					
11	1	119643-21590	FLYWHEEL ASSY	1	1	1					
11-1	1	119600-21580	FLYWHEEL ASSY			1					N
		(C=EXXX)									
12	2	119865-21600	GEAR, RING	1	1	1					
13	1	129100-01580	PIN, M8X16	1	1	1					Z
		(A=*1990.)	(B=*1990.)								

Fig.17. PISTON & CONNECTING ROD

(A)=3TN66L-UHW
 (B)=3TNA68L-UHW
 (C)=3TNA72L-UHW

(D)=
 (E)=
 (F)=

019270-22100
 019600-22100
 019620-22100
 019260-23100
 019620-23100



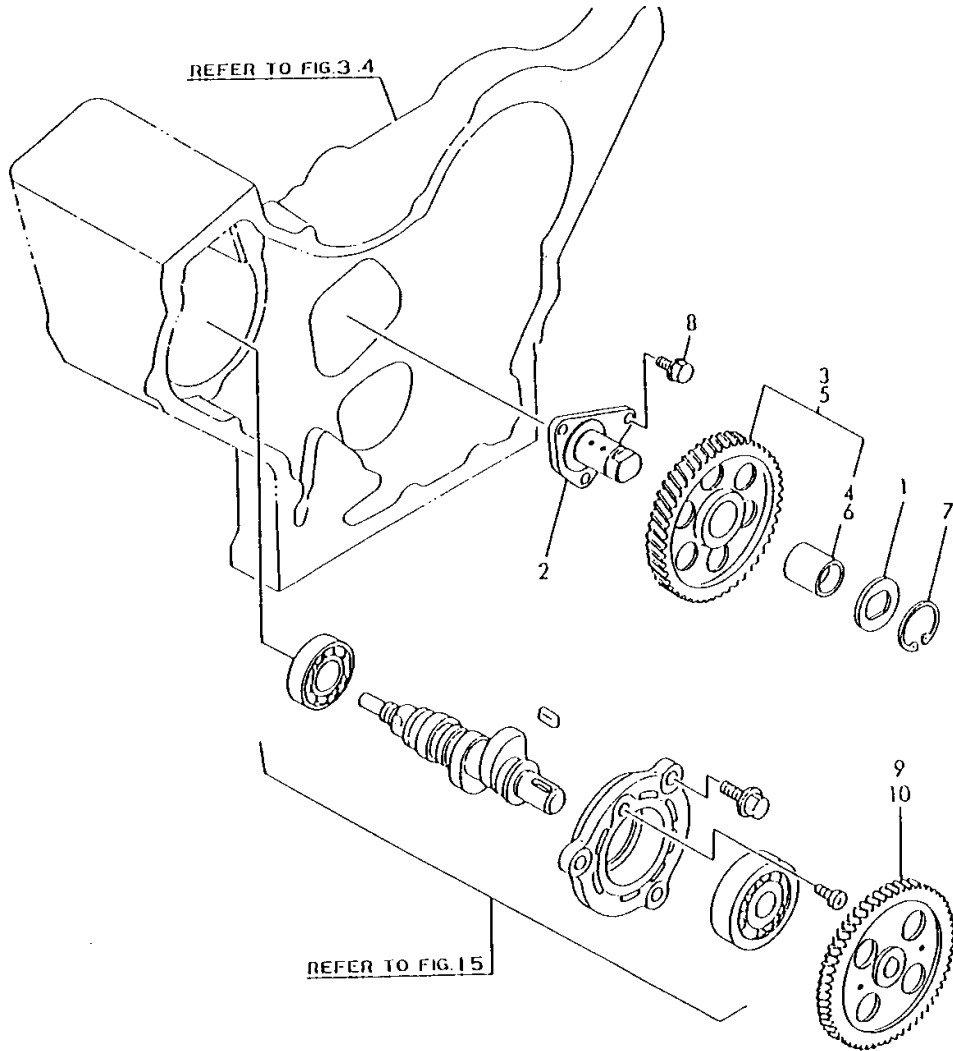
No.	Lev.	Parts No.	Description	Q'ty						I	R
				(A)	(B)	(C)	(D)	(E)	(F)		
1	1	119270-22090	PISTON ASSY	3							
1-1	1	119270-22091	PISTON ASSY	3							N
(A=*1987.07)											
2	2	719270-22500	RING SET, PISTON	3							
2-1	2	719270-22501	RING SET, PISTON	3							N
(A=*1987.07)											
3	1	119600-22091	PISTON ASSY		3						
3-1	1	119600-22092	PISTON ASSY		3						N
(B=E07233)											
4	2	719600-22501	RING SET, PISTON		3						
4-1	2	719630-22502	RING SET, PISTON		3						N
(B=E07233)											
5	1	119620-22090	PISTON ASSY						3		
6	2	719620-22500	RING SET, PISTON						3		
7	1	119260-22300	PIN, PISTON					3			
8	1	119620-22300	PIN, PISTON				3	3			
9	1	105225-22400	CIRCLIP		6						
10	1	22252-000210	RING, 21				6	6			
11	1	719270-22820	PISTON ASSY, 0.25 OS	3							1
12	2	719270-22540	RING SET, 0.25 OS	3							1
13	1	719600-22820	PISTON ASSY, 0.25 OS		3						1
14	2	719600-22540	RING SET, 0.25 OS		3						1
15	1	719620-22820	PISTON ASSY, 0.25 OS						3		1
16	2	719620-22540	RING SET, 0.25 OS						3		1
17	1	719260-23100	ROD ASSY, CONNECTING	3							
18	1	719620-23100	ROD ASSY, CONNECTING		3	3					
19	2	119260-23910	BEARING, PISTON PIN	3							2
20	2	119260-23200	BOLT, CONNECTING ROD	6							
21	2	719260-23600	BEARING, CRANK PIN	3							
22	2	119620-23910	BEARING, PISTON PIN		3	3					2
23	2	105225-23200	BOLT, CONNECTING ROD		6	6					
24	2	719620-23600	BEARING, CRANK PIN		3	3					
25	1	719260-23610	BEARING ASSY, 0.25	3							3
26	1	719620-23610	BEARING ASSY, 0.25		3	3					3

Remarks

- (1)OVER-SIZE PART.
- (2)REPAIR PART.
- (3)UNDER-SIZE PART.

Fig.18. IDLE GEAR & FUEL PUMP GEAR

D19260-25100
 D19660-25101
 D19225-25200
 D19660-25201



(A)=3TN66L-UHW
 (B)=3TNA68L-UHW
 (C)=3TNA72L-UHW

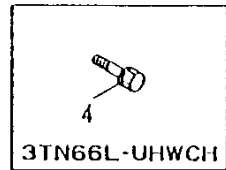
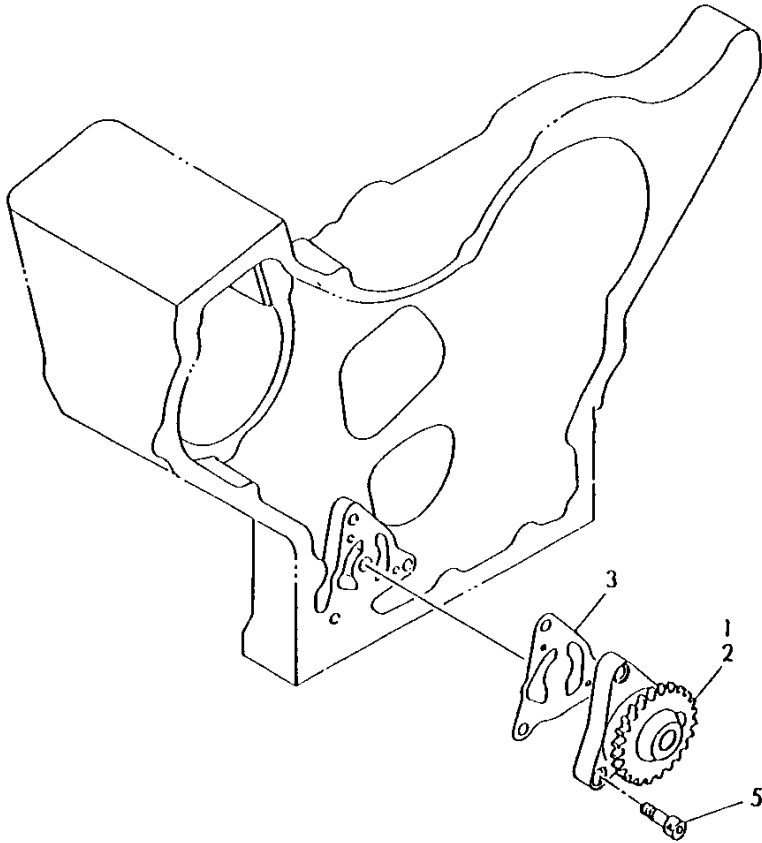
(D)=
 (E)=
 (F)=

No.	Lev.	Parts No.	Description	Qty						I	R
				(A)	(B)	(C)	(D)	(E)	(F)		
1	1	119660-25022	RETAINER	1	1	1					
2	1	119660-25052	SHAFT, IDLE	1	1	1					
3	1	119260-25100	GEAR ASSY, IDLE	1							
4	2	119620-25912	BUSH	1							1
5	1	119620-25102	GEAR ASSY, IDLE			1	1				
6	2	119620-25912	BUSH			1	1				1
7	1	22242-000200	RING, 20	1	1	1					
8	1	26106-060122	BOLT, M6X 12 PLATED	3	3	3					
9	1	119260-25900	GEAR, PUMP	1							
10	1	119660-25902	GEAR, PUMP			1	1				

Remarks
 (1)REPAIR PART.

Fig.19. LUB.OIL PUMP

019260-32100
019660-32100



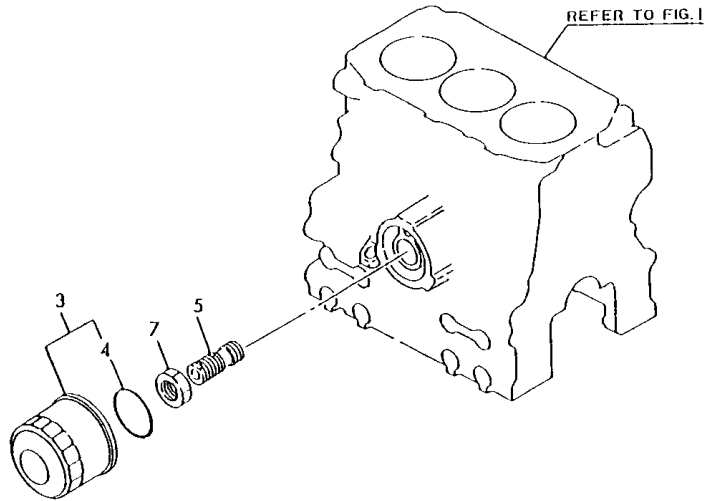
(A)=3TN66L-UHW
(B)=3TNA68L-UHW
(C)=3TNA72L-UHW

(D)=
(E)=
(F)=

No.	Lev.	Parts No.	Description	Q'ty						I	R
				(A)	(B)	(C)	(D)	(E)	(F)		
1	1	119260-32000	PUMP ASSY, OIL	1							
2	1	119660-32001	PUMP ASSY, OIL		1	1					
3	1	119660-32020	GASKET, PUMP	1	1	1					
4	1	26013-060202	BOLT, M6X 20	3							
5	1	26450-060202	BOLT, M6X 20		3	3					

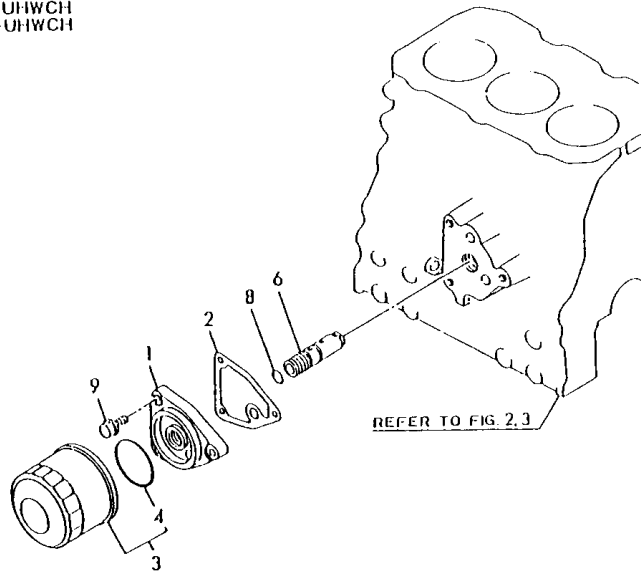
Fig.20. LUB.OIL STRAINER

D19260-35100
D19600-35100



3TN66L-UHWCH

3TNA68L-UHWCH
3TNA72L-UHWCH



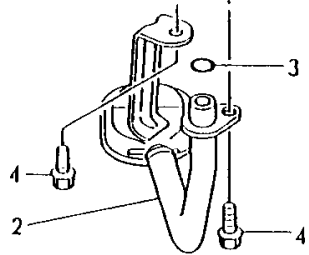
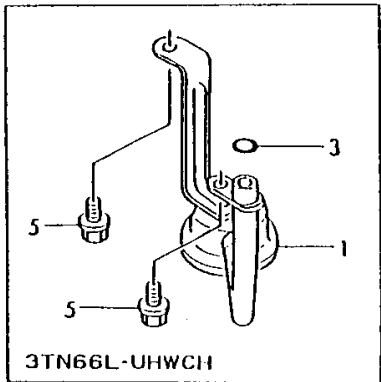
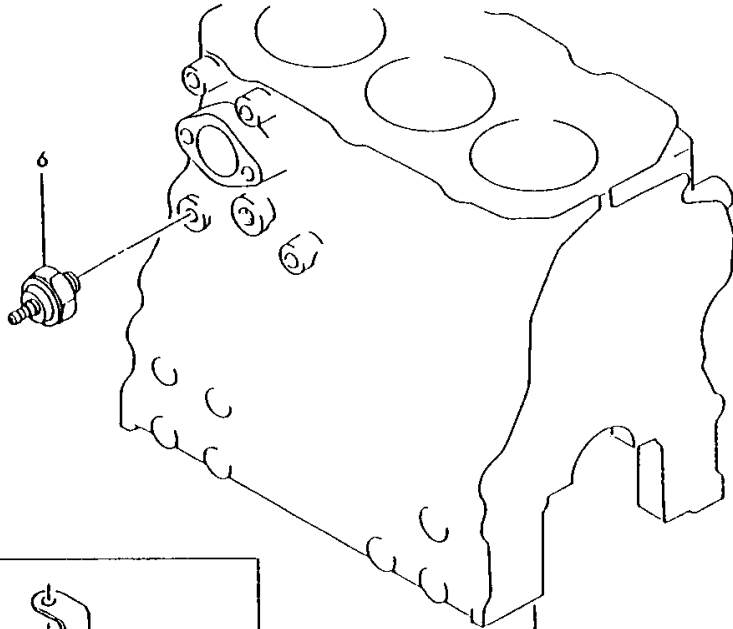
(A)=3TN66L-UHW
(B)=3TNA68L-UHW
(C)=3TNA72L-UHW

(D)=
(E)=
(F)=

No.	Lev.	Parts No.	Description	Qty						I	R	
				(A)	(B)	(C)	(D)	(E)	(F)			
1	1	119660-35102	BRACKET, FILTER		1	1						
2	1	119660-35112	GASKET		1	1						
2-1	1	119660-35113	GASKET		1	1						N
3	1	119660-35150	(B=*1990.01) (C=*1990.01) FILTER, LUB. OIL	1	1	1						
4	2	124450-35110	O-RING	1	1	1						
5	1	119225-35300	VALVE ASSY,OIL PRESS	1								
6	1	119660-35300	VALVE ASSY, CONTROL		1	1						
7	1	129150-35350	NUT	1	1	1						
8	1	24311-000160	O-RING, 1AP16.0		1	1						
9	1	26106-080202	BOLT, M8X 20 PLATED		3	3						

Fig.21. LUB.OIL SUCTION PIPE

019260-35220
 019600-35200
 019600-39100



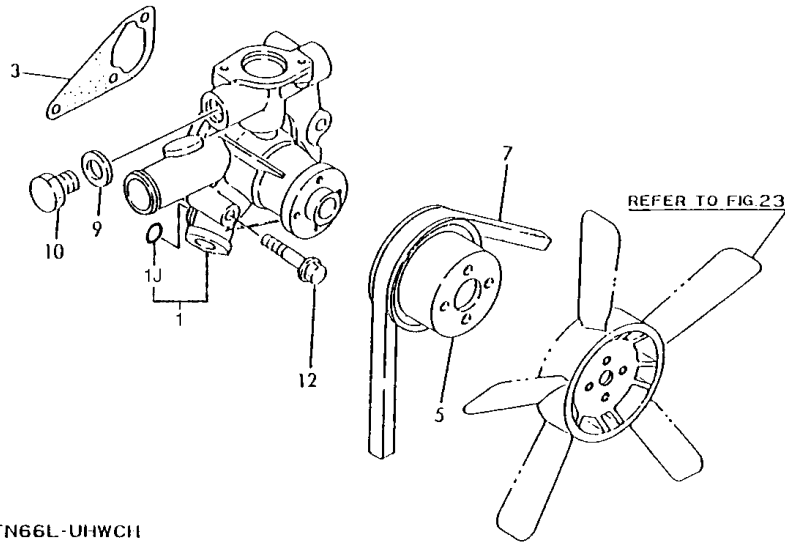
(A)=3TN66L-UHW
 (B)=3TNA68L-UHW
 (C)=3TNA72L-UHW
 (D)=
 (E)=
 (F)=

No.	Lev.	Parts No.	Description	Q'ty						I	R
				(A)	(B)	(C)	(D)	(E)	(F)		
1	1	119260-35081	PIPE, OIL INLET	1							
2	1	119600-35091	PIPE ASSY, OIL INLET		1	1					
3	1	24311-000120	O-RING, 1AP12.0	1	1	1					
4	1	26106-060102	BOLT, M6X 10 PLATED		2	2					
5	1	26106-060122	BOLT, M6X 12 PLATED	2							
6	1	124160-39450	SWITCH, 0.5KG	1	1	1					

Fig.22. COOLING WATER PUMP

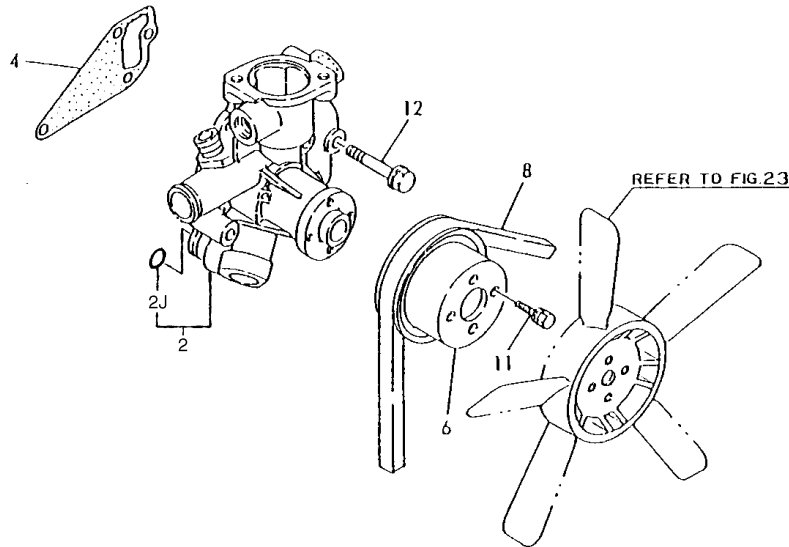
(A)=3TN66L-UHW (D)=
 (B)=3TNA68L-UHW (E)=
 (C)=3TNA72L-UHW (F)=

発行No. 000Y00D3931-1
 更新年月: 2007.02
 REVISED: Febru, 2007



3TN66L-UHWCH

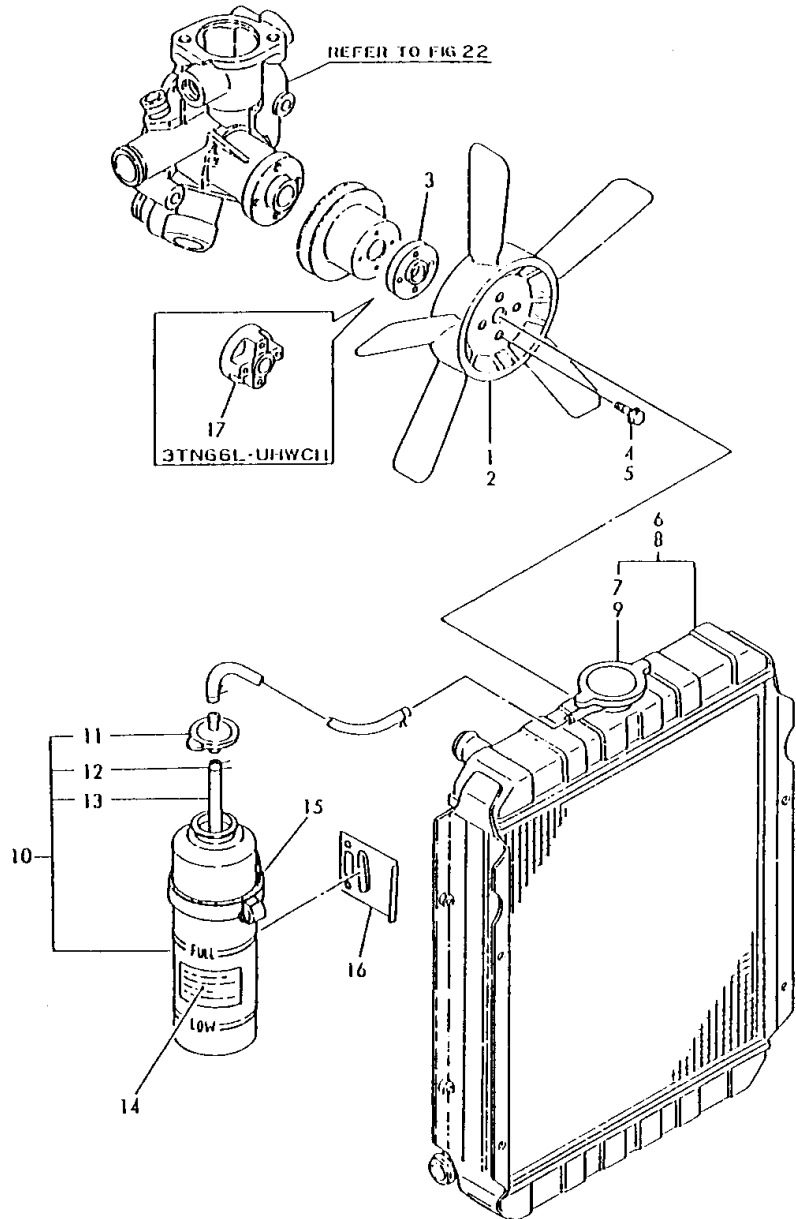
3TNA68L-UHWCH
 3TNA72L-UHWCH



No.	Lev.	Parts No.	Description	Q'ty						I	R
				(A)	(B)	(C)	(D)	(E)	(F)		
1	1	119260-42000	PUMP ASSY, WATER	1							
1-1	1	119260-42001	PUMP ASSY, WATER	1							N
				(A=*1990.06)							
1J	2	119225-42320	O-RING	1							
2	1	119660-42003	PUMP ASSY, WATER		1	1					
2-1	1	119660-42004	PUMP ASSY, WATER		1	1					N
				(B=*1990.01) (C=*1990.01)							
2J	2	119620-42320	O-RING		1	1					
3	1	119260-42020	GASKET, WATER PUMP	1							
4	1	119620-42020	GASKET, WATER PUMP		1	1					
5	1	119620-42350	V-PULLEY	1							
6	1	119660-42350	V-PULLEY		1	1					
7	1	104514-42780	V-BELT, HM33	1							
8	1	119620-42291	V-BELT, FM34.5		1	1					
8-1	1	119650-42291	V-BELT, 35		1	1					N
				(B=E05505) (C=E15989)							
9	1	23414-160021	GASKET, 16X1.0	1							
10	1	23887-160002	PLUG, 16	1							
10-1	1	121450-42450	PLUG, M16	1							N
				(A=*1987.04)							
11	1	26014-060122	BOLT, M6X 12		4	4					Z
				(B=E05505) (C=E15989)							
12	1	26106-080452	BOLT, M8X 45 PLATED	3	4	4					

Fig.23. RADIATOR & FAN

019247-42300
 019645-44400
 019247-93100
 019647-93100
 019647-93110

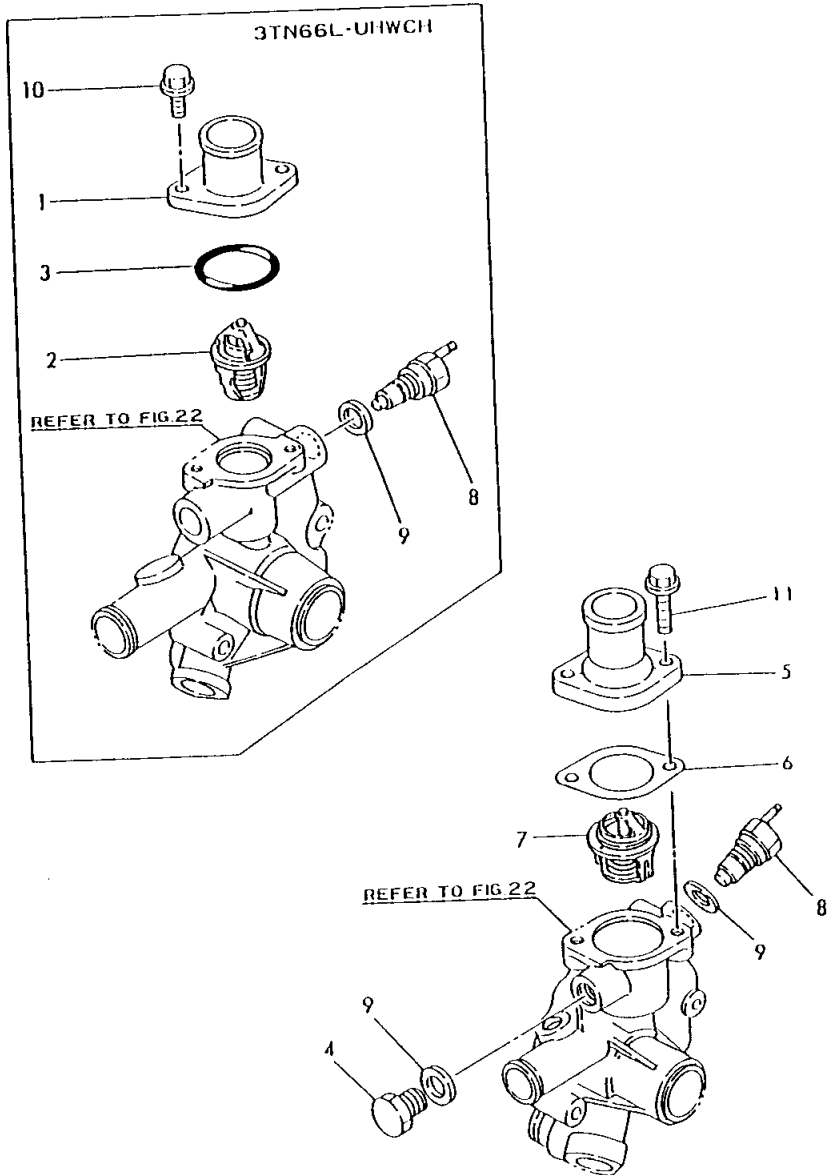


(A)=3TN66L-UHW (D)=
 (B)=3TNA68L-UHW (E)=
 (C)=3TNA72L-UHW (F)=

No.	Lev.	Parts No.	Description	Qty						I	R
				(A)	(B)	(C)	(D)	(E)	(F)		
1	1	121023-44740	FAN, COOLING	1							
2	1	124700-44740	FAN, COOLING 5X310		1	1					
3	1	124574-44761	SPACER, FAN		1	1					
4	1	26106-060352	BOLT, M6X 35 PLATED	4							
5	1	26106-060202	BOLT, M6X 20 PLATED		4	4					
6	1	119260-44500	RADIATOR	1							
7	2	123682-44210	CAP, RADIATOR	1							
8	1	171002-44502	RADIATOR		1	1					
9	2	123682-44210	CAP, RADIATOR		1	1					
10	1	121450-44510	TANK ASSY, SUB	1	1	1					
11	2	121450-44530	CAP	1	1	1					
12	2	124450-44560	RETAINER	1	1	1					
13	2	23065-070180	PIPE, 7X 180	1	1	1					
14	1	121470-44540	LABEL, SUB-TANK	1	1	1					
14-1	1	121470-44540	LABEL, SUB-TANK			1					Z
(C=EXXX)											
15	1	124450-44550	BAND	1	1	1					
16	1	121256-44600	BRACKET, SUB TANK	1	1	1					
17	1	171353-44760	SPACER, FAN	1							

Fig.24. THERMOSTAT

D19260-49200
 D19600-49200
 D19260-49600



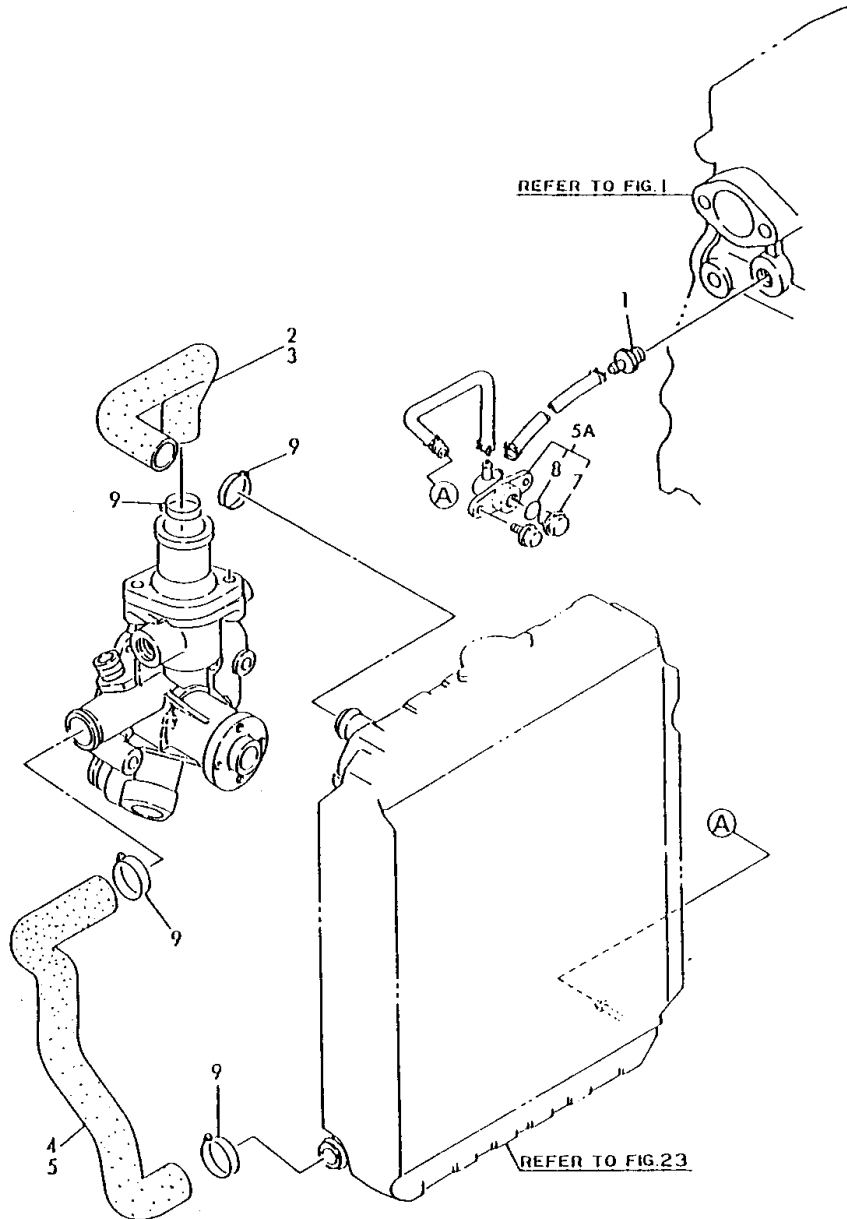
(A)=3TN66L-UHW (D)=
 (B)=3TNA68L-UHW (E)=
 (C)=3TNA72L-UHW (F)=

No.	Lev.	Parts No.	Description	Q'ty						I	R
				(A)	(B)	(C)	(D)	(E)	(F)		
1	1	119260-49530	COVER, THERMOSTAT	1							
2	1	119260-49800	THERMOSTAT, 71	1							
3	1	24321-000350	O-RING, 1AG35.0	1							
4	1	121450-42450	PLUG, M16		1	1					
5	1	129350-49530	COVER, THERMOSTAT		1	1					
6	1	129350-49540	GASKET		1	1					
6-1	1	129350-49541	GASKET (B=*1990.01) (C=*1990.01)		1	1					N
7	1	129350-49800	THERMOSTAT, 71		1	1					
8	1	121250-44901	SWITCH, 110	1	1	1					
9	1	124465-44950	GASKET, 16	1	2	2					
10	1	26106-060182	BOLT, M6X 18 PLATED	2							
11	1	26106-080202	BOLT, M8X 20 PLATED		2	2					

Fig.25. COOLING WATER LINE

(A)=3TN66L-UHW
 (B)=3TNA68L-UHW
 (C)=3TNA72L-UHW
 (D)=
 (E)=
 (F)=

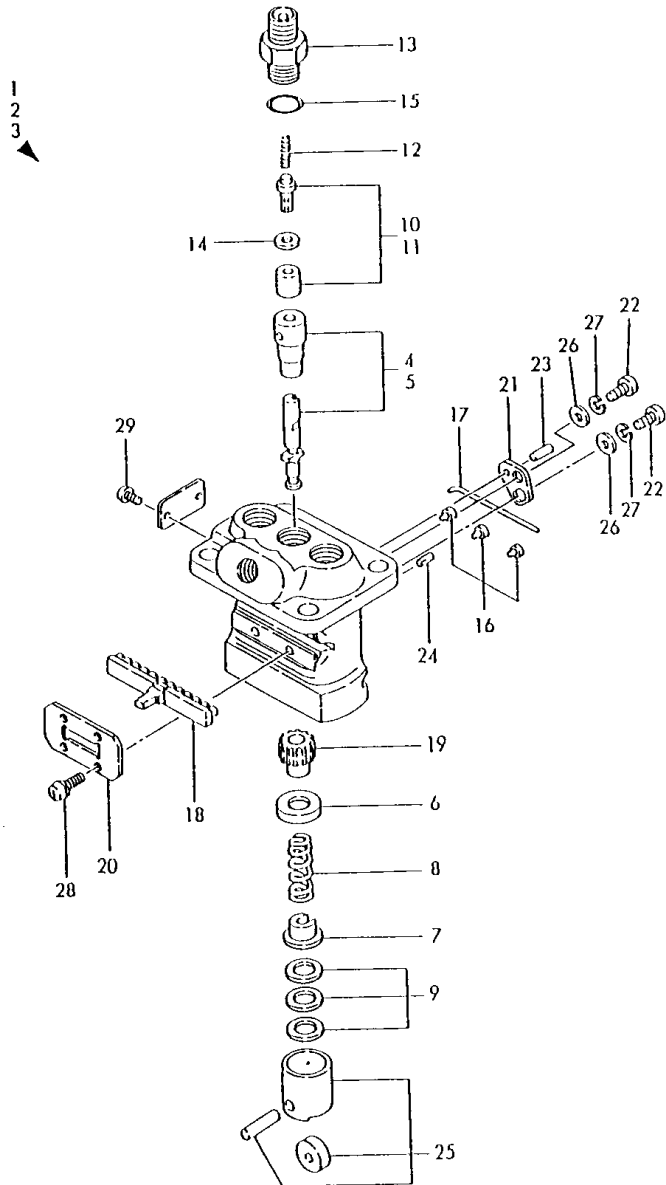
019600-49300
 019247-93100
 019647-93100
 019647-93110



No.	Lev.	Parts No.	Description	Qty						I	R
				(A)	(B)	(C)	(D)	(E)	(F)		
1	1	121550-49111	JOINT, PT1/4	1	1	1					
2	1	119288-49010	PIPE, WATER	1							
3	1	119688-49010	PIPE, WATER		1	1					
4	1	119280-49020	PIPE, WATER	1							
5	1	119645-49020	PIPE, WATER		1	1					
5A	1	121450-49110	COCK ASSY, 3-WAY	1	1	1					W
		(A=*1988.06)	(B=*1988.06)	(C=E21755)							
7	2	121250-49121	PLUG, DRAIN	1	1	1					
8	2	24311-000160	O-RING, 1AP16.0	1	1	1					
9	1	23010-038000	CLAMP, 38	4	4	4					

Fig.26. FUEL INJECTION PUMP

D19225-51100
 D19621-51100
 D19660-51100



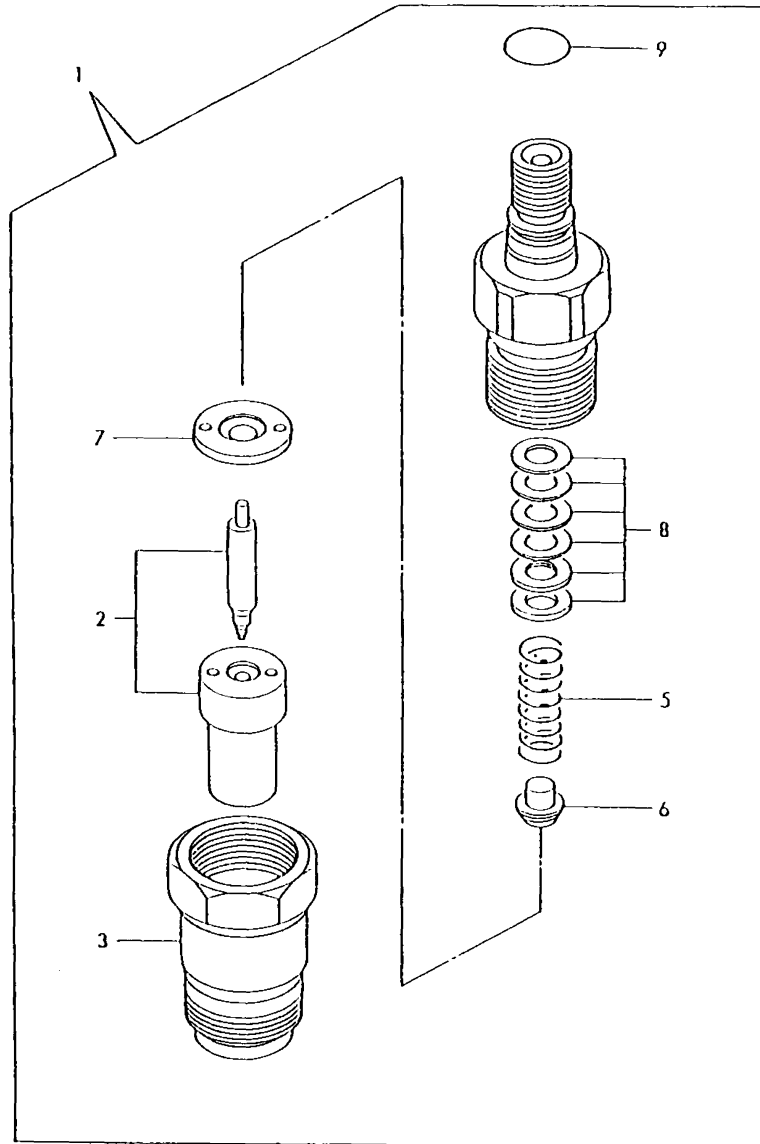
(A)=3TN66L-UHW
 (B)=3TNA68L-UHW
 (C)=3TNA72L-UHW
 (D)=
 (E)=
 (F)=

No.	Lev.	Parts No.	Description	Q'ty						I	R
				(A)	(B)	(C)	(D)	(E)	(F)		
1	1	719225-51100	PUMP ASSY, INJECTION	1							
2	1	719660-51100	PUMP ASSY, INJECTION		1						
3	1	719621-51100	PUMP ASSY, INJECTION			1					
4	2	119225-51100	PLUNGER ASSY	3							
5	2	119620-51101	PLUNGER ASSY		3	3					
6	2	119620-51170	RETAINER, SPRING A	3	3	3					
7	2	119620-51180	RETAINER, SPRING B	3	3	3					
8	2	119620-51190	SPRING, PLUNGER	3	3	3					
9	2	119620-51250	SHIM SET	3	3	3					
10	2	119225-51300	VALVE ASSY, DELIVERY	3							
11	2	119620-51300	VALVE ASSY, DELIVERY		3	3					
12	2	105546-51330	SPRING, DELIVERY	3	3	3					
13	2	119620-51340	HOLDER, DELIVERY	3	3	3					
14	2	119620-51350	GASKET	3	3	3					
15	2	119620-51370	O-RING	3	3	3					
16	2	119620-51450	PIECE	3	3	3					
17	2	119620-51461	PIN	1	1	1					
18	2	119660-51500	RACK, CONTROL	1	1	1					
19	2	119620-51510	PINION	3	3	3					
20	2	119660-51530	RETAINER, RACK	1	1	1					
21	2	119620-51650	PLATE	2	2	2					
22	2	119620-51660	SCREW	2	2	2					
23	2	119620-51670	PIN	2	2	2					
24	2	119620-51680	PIN	1	1	1					
25	2	119620-51700	TAPPET ASSY	3	3	3					
26	2	22137-040000	WASHER, 4	2	2	2					
27	2	22217-040000	WASHER, SPRING 4	2	2	2					
28	2	26022-040082	SCREW, M4X 8	4	4	4					
29	2	26587-040102	SCREW, M4X10	2	2	2					

Fig.27. FUEL INJECTION VALVE

(A)=3TN66L-UHW
 (B)=3TNA68L-UHW
 (C)=3TNA72L-UHW
 (D)=
 (E)=
 (F)=

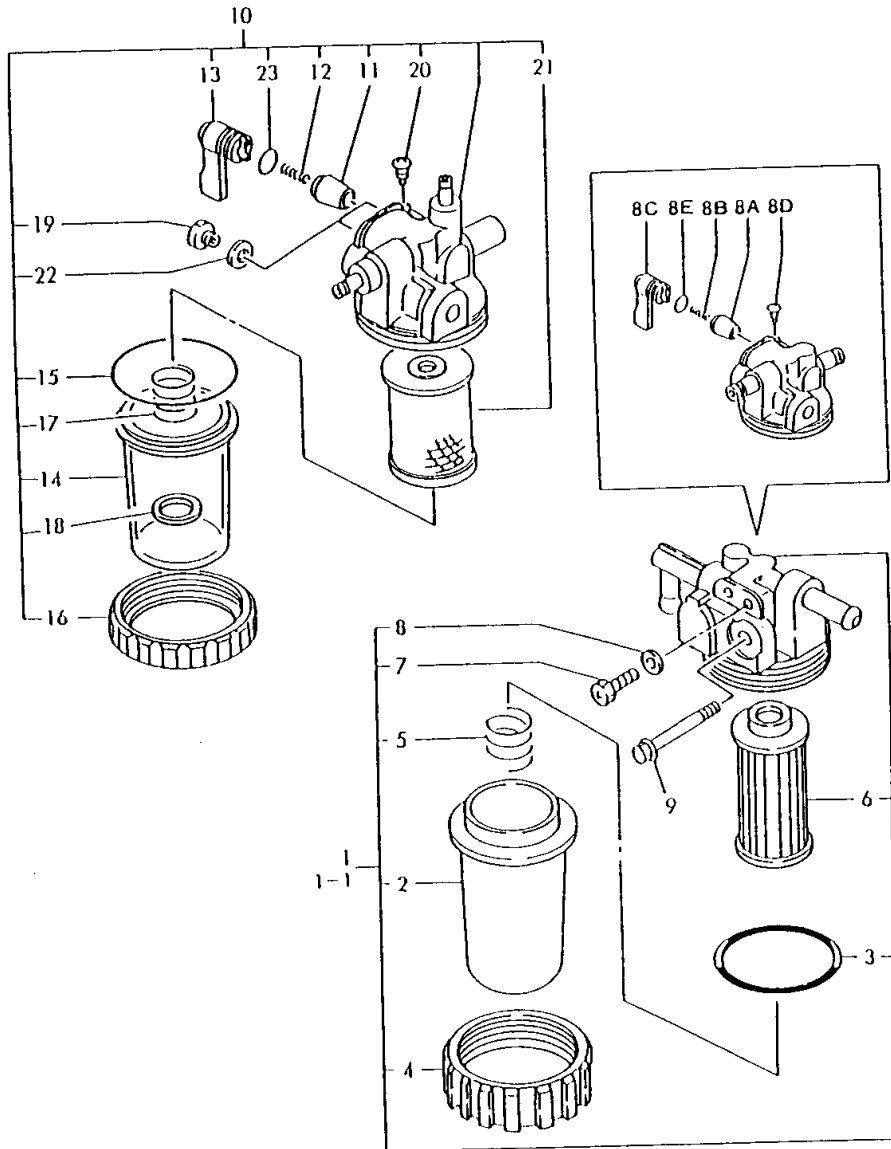
019620-53100



No.	Lev.	Parts No.	Description	Qty						I	R
				(A)	(B)	(C)	(D)	(E)	(F)		
1	1	719620-53100	VALVE ASSY,INJECTION	3	3	3					
2	2	119620-53000	VALVE ASSY,INJECTION	3	3	3					
3	2	119620-53080	NUT, NOZZLE	3	3	3					
5	2	119620-53120	SPRING, NOZZLE	3	3	3					
6	2	114250-53130	SEAT, SPRING	3	3	3					
7	2	119620-53140	SPACER, VALVE STOP	3	3	3					
8	2	114250-53400	SHIM SET	3	3	3					
9	2	129155-61830	O-RING, S10	3	3	3					

Fig.28. FUEL STRAINER

019260-55100
 019247-93100
 019647-93100
 019647-93110



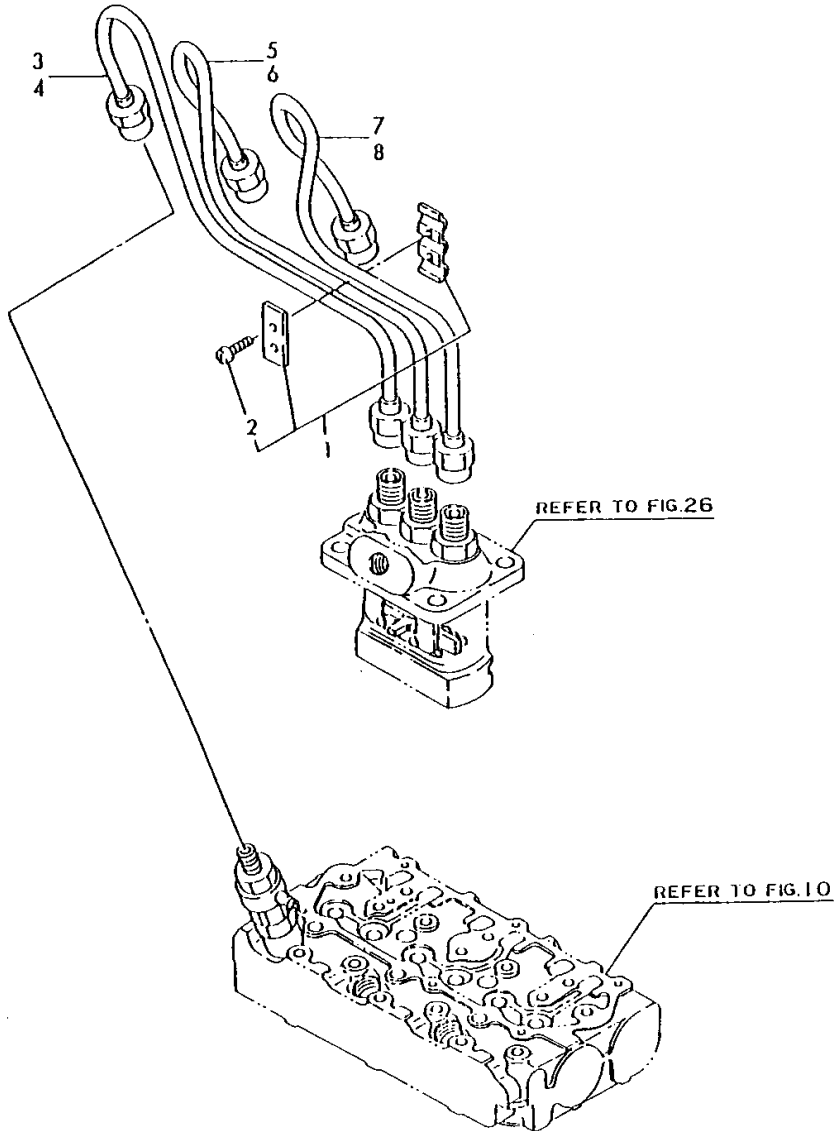
(A)=3TN66L-UHW
 (B)=3TNA68L-UHW
 (C)=3TNA72L-UHW

(D)=
 (E)=
 (F)=

No.	Lev.	Parts No.	Description	Qty						I	R
				(A)	(B)	(C)	(D)	(E)	(F)		
1	1	119225-55600	FILTER ASSY, FUEL	1	1	1					
1-1	1	171059-55600	FILTER ASSY, FUEL (C=E18586)			1					N
2	2	121254-55510	COVER	1	1	1					
3	2	102103-55520	O-RING	1	1	1					
4	2	110250-55610	RING, RETAINING	1	1	1					
5	2	121250-55620	SPRING	1	1	1					
6	2	124550-55700	FILTER, FUEL L=90	1	1	1					
7	2	101720-55750	PLUG, 6	2	2	2					
8	2	23418-060000	GASKET, 6X1.0	2	2	2					
8A	2	104200-55321	VALVE, TAPER (C=E18586)			1					W
8B	2	104200-55330	SPRING, VALVE (C=E18586)			1					W
8C	2	104200-55341	HANDLE (C=E18586)			1					W
8D	2	104200-55750	SCREW, M4 (C=E18586)			1					W
8E	2	24311-240100	O-RING, 1AP10A (C=E18586)			1					W
9	1	26106-080652	BOLT, M8X 65 PLATED	1	1	1					
9-1	1	26014-080702	BOLT, M8X 70 (A=*1988.06) (B=*1988.06)	1	1						N
10	1	121257-55700	SEPARATOR, WATER	1	1	1					
11	2	104200-55321	VALVE, TAPER	1	1	1					
12	2	104200-55330	SPRING, VALVE	1	1	1					
13	2	104200-55341	HANDLE	1	1	1					
14	2	121254-55510	COVER	1	1	1					
15	2	102103-55520	O-RING	1	1	1					
16	2	110250-55610	RING, RETAINING	1	1	1					
17	2	121257-55720	SPRING	1	1	1					
18	2	121257-57731	FLOAT	1	1	1					M
18-1	2	121257-55731	FLOAT	1	1	1					
19	2	101720-55750	PLUG, 6	2	2	2					
20	2	104200-55750	SCREW, M4	1	1	1					
21	2	171081-55910	SCREEN	1	1	1					
22	2	23418-060000	GASKET, 6X1.0	2	2	2					
23	2	24311-240100	O-RING, 1AP10A	1	1	1					

Fig.29. FUEL INJECTION LINE

019225-59100
019620-59100



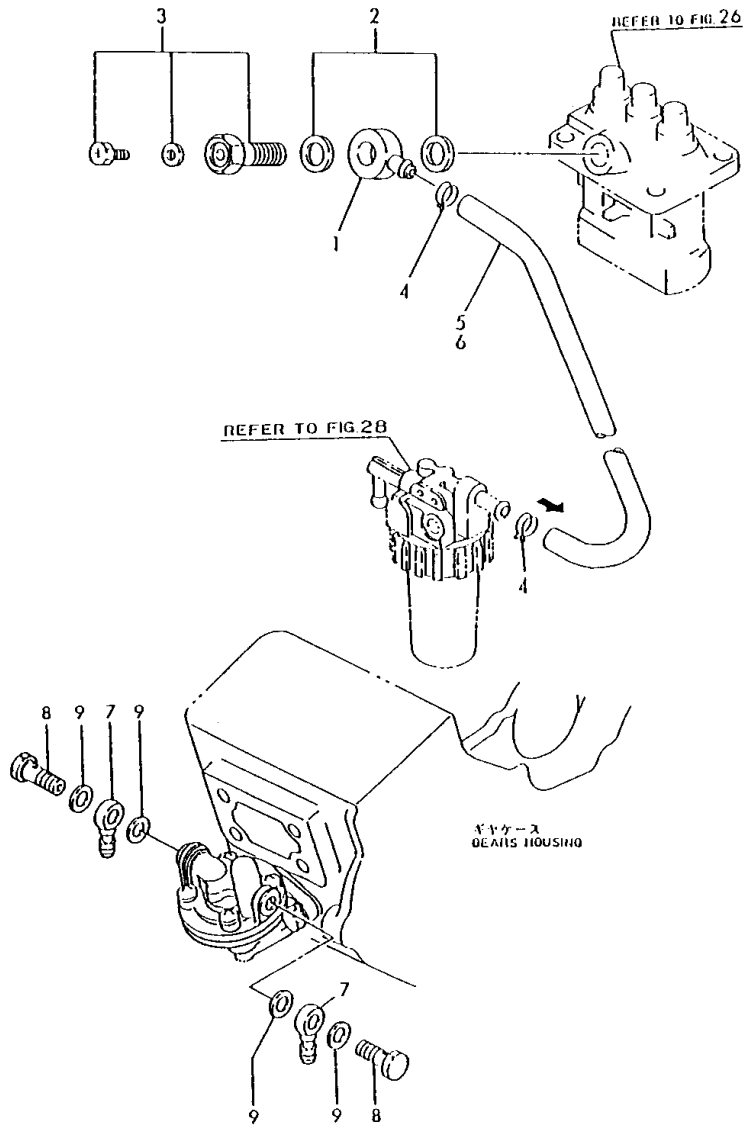
(A)=3TN66L-UHW
(B)=3TNA68L-UHW
(C)=3TNA72L-UHW

(D)=
(E)=
(F)=

No.	Lev.	Parts No.	Description	Qty						I	R
				(A)	(B)	(C)	(D)	(E)	(F)		
1	1	129150-59120	RETAINER, PIPE	1	1	1					
2	2	129150-59130	BOLT, M4X12	2	2	2					
3	1	119260-59810	PIPE ASSY, INJECTION	1							
3-1	1	119225-59810 (A=*1987.09)	PIPE ASSY, INJECTION	1							N
4	1	119620-59810	PIPE ASSY, INJECTION		1	1					
4-1	1	119620-59811 (B=E07233) (C=E15989)	PIPE ASSY, INJECTION		1	1					N
5	1	119260-59820	PIPE ASSY, INJECTION	1							
6	1	119620-59820	PIPE ASSY, INJECTION		1	1					
6-1	1	119620-59821 (B=E07233) (C=E15989)	PIPE ASSY, INJECTION		1	1					N
7	1	119260-59830	PIPE ASSY, INJECTION	1							
8	1	119620-59830	PIPE ASSY, INJECTION		1	1					
8-1	1	119620-59831 (B=E07233) (C=E15989)	PIPE ASSY, INJECTION		1	1					N

Fig.30. FUEL LINE

D19249-59200
 019640-59200
 019649-59200
 019647-93110

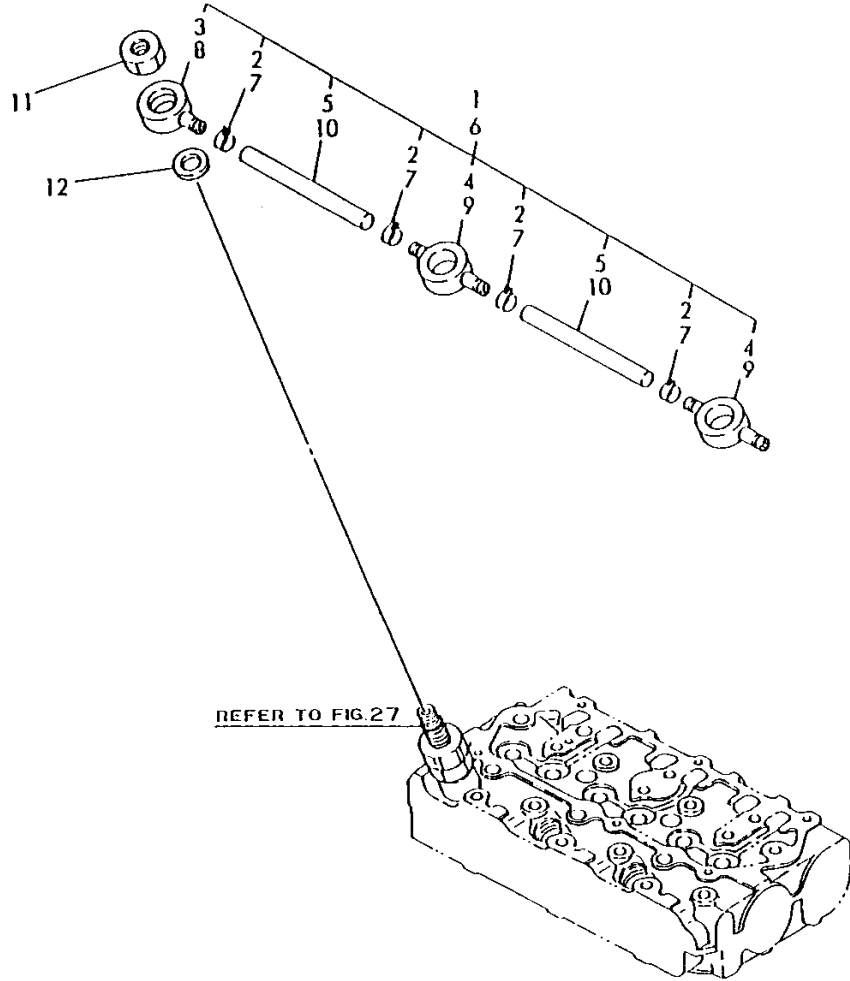


(A)=3TN66L-UHW (D)=
 (B)=3TNA68L-UHW (E)=
 (C)=3TNA72L-UHW (F)=

No.	Lev.	Parts No.	Description	Q'ty						I	R
				(A)	(B)	(C)	(D)	(E)	(F)		
1	1	129150-59020	JOINT, PIPE	1	1	1					
1-1	1	101304-59020	JOINT, PIPE 12	1	1	1					R
		(A=*1987.06) (B=E07233) (C=E15989)									
2	1	104200-59170	GASKET, 12	2	2	2					
3	1	103854-59191	BOLT ASSY, JOINT M12	1	1	1					
4	1	124766-59050	CLIP, HOSE 12	2	2	2					
4-1	1	124066-59100	CLIP, HOSE 8			2					S
		(C=E18586)									
5	1	121250-59080	PIPE, FUEL D12X180		1	1					
5-1	1	105225-59100	PIPE, FUEL RETURN			1					S
		(C=E18586)									
6	1	124767-59080	PIPE, FUEL		1						
7	1	104264-59030	JOINT, PIPE 8			2					W
		(C=E18586)									
8	1	105582-59150	BOLT, PIPE JOINT			2					W
		(C=E18586)									
9	1	23414-080012	GASKET, 8X1.0			4					W
		(C=E18586)									

Fig.31. FUEL RETURN LINE

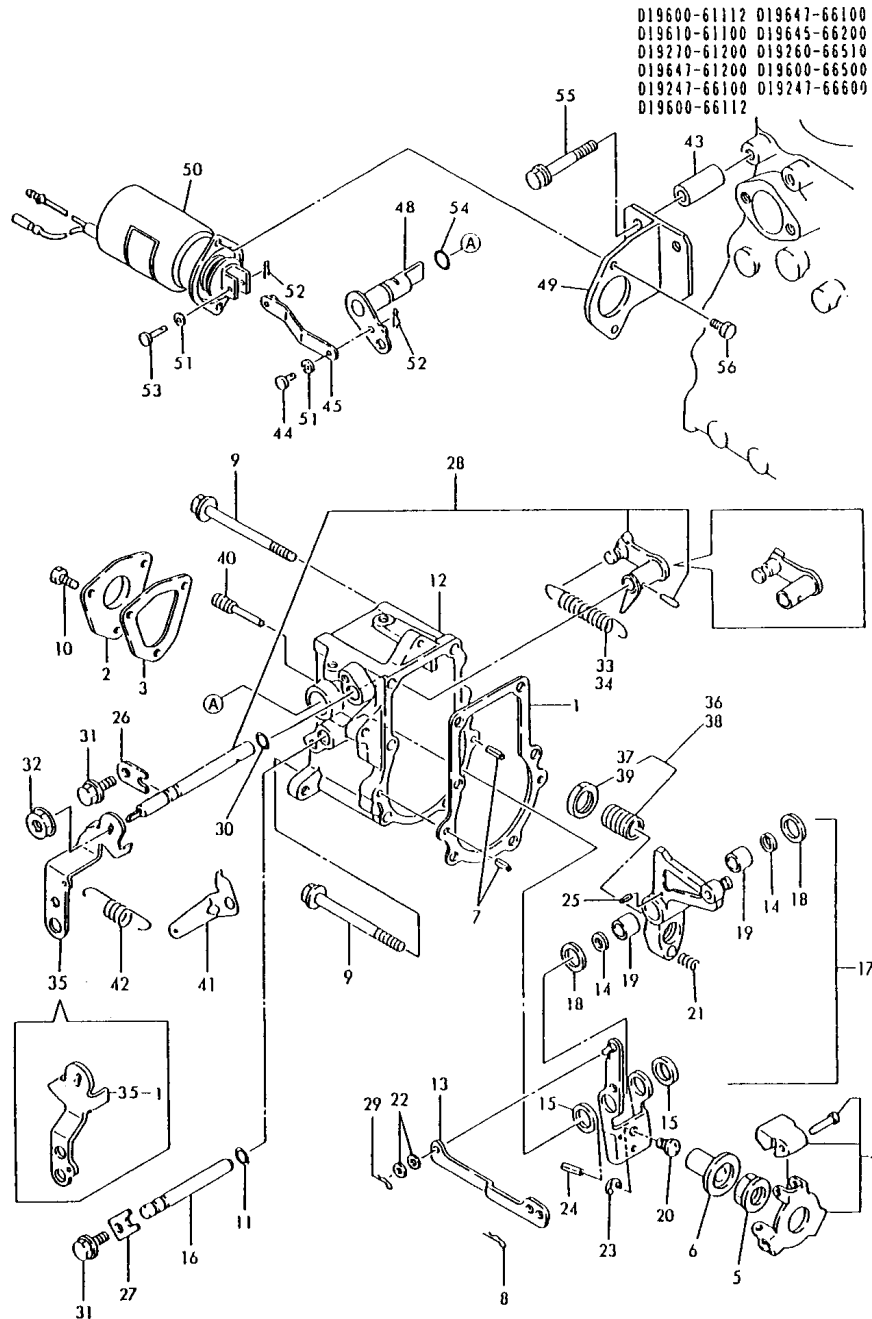
019260-59300
019620-59300



(A)=3TN66L-UHW (D)=
(B)=3TNA68L-UHW (E)=
(C)=3TNA72L-UHW (F)=

No.	Lev.	Parts No.	Description	Q'ty						I	R
				(A)	(B)	(C)	(D)	(E)	(F)		
1	1	119260-59540	PIPE ASSY, RETURN	1							
2	2	124066-59100	CLIP, HOSE 8	4							
3	2	119260-59520	JOINT	1							
4	2	119260-59530	JOINT	2							
5	2	119260-59550	PIPE, FUEL	2							
6	1	119620-59540	PIPE ASSY, FUEL		1	1					
7	2	124066-59100	CLIP, HOSE 8	4	4						
8	2	129155-59520	JOINT	1	1						
8-1	2	119260-59520	JOINT		1	1					N
		(B=E05255)	(C=E15989)								
9	2	129155-59530	JOINT		2	2					
9-1	2	119260-59530	JOINT		2	2					N
		(B=E05255)	(C=E15989)								
10	2	105025-59550	PIPE, FUEL RETURN		2	2					
11	1	119620-59700	NUT, NOZZLE	3	3	3					
12	1	23414-140000	GASKET, 14X1.0	3	3	3					

Fig.32. GOVERNOR



(A)=3TN66L-UHW
 (B)=3TNA68L-UHW
 (C)=3TNA72L-UHW

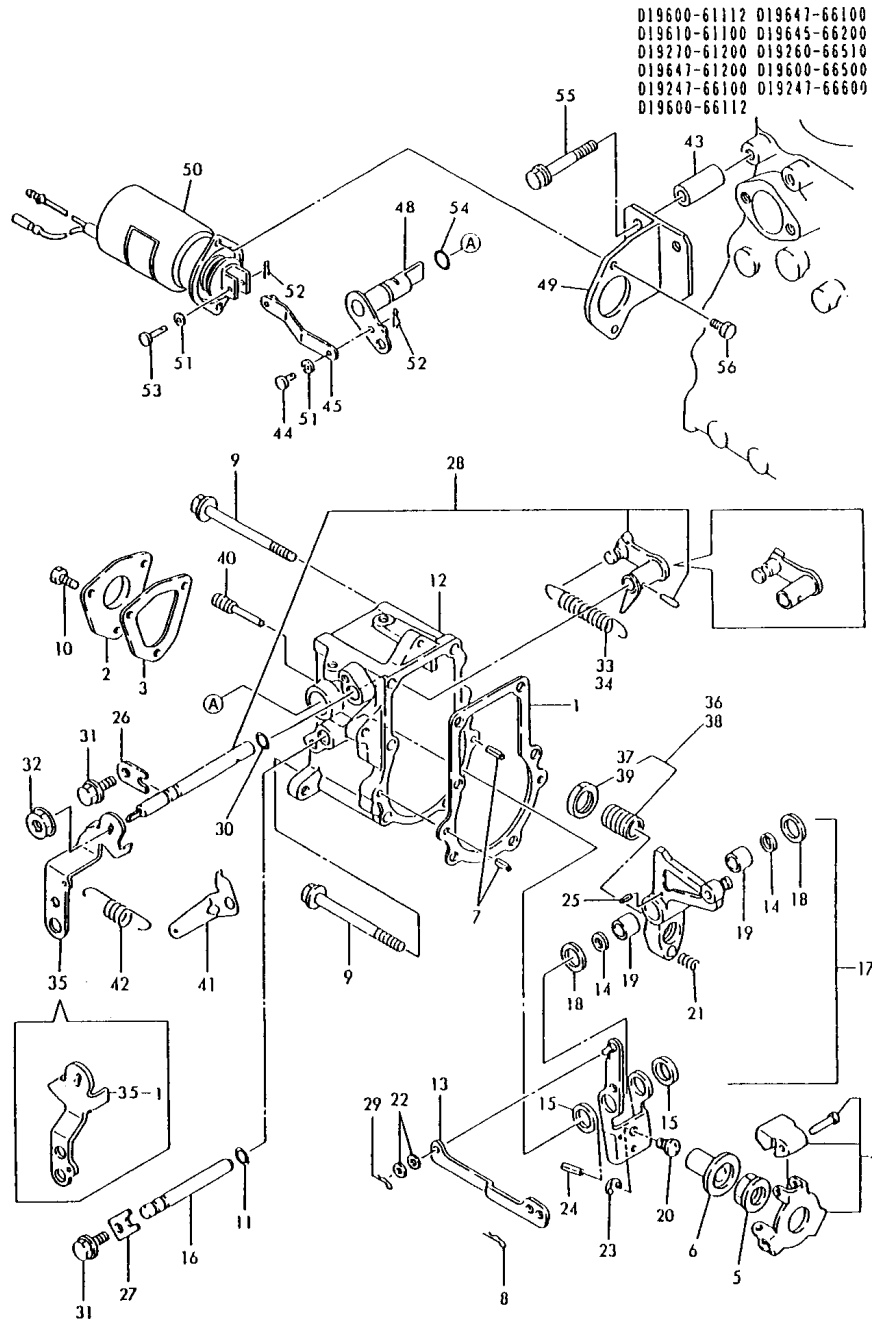
(D)=
 (E)=
 (F)=

No.	Lev.	Parts No.	Description	Q'ty						I	R
				(A)	(B)	(C)	(D)	(E)	(F)		
1	1	119660-61051	GASKET	1	1	1					
1-1	1	119660-61052	GASKET	1	1	1					N
		(A=*1990.01) (B=*1990.01) (C=*1990.01)									
2	1	119660-61060	COVER, GOVERNOR CASE	1	1	1					
3	1	119660-61070	GASKET	1	1	1					
3-1	1	119660-61071	GASKET	1	1	1					N
		(A=*1990.01) (B=*1990.01) (C=*1990.01)									
4	1	119600-61200	WEIGHT ASSY,GOVERNOR	1	1	1					
5	1	119660-61300	NUT	1	1	1					
6	1	119660-61341	SLEEVE	1	1	1					
7	1	22351-040010	PIN, SPRING 4.0X10	2	2	2					
8	1	22360-060000	PIN, SNAP 6	1	1	1					
9	1	26106-060702	BOLT, M6X 70 PLATED	6	6	6					
10	1	26116-050102	BOLT, M5X 10 PLATED	3	3	3					
11	1	129155-51280	O-RING, S6	1	1	1					
12	1	119660-61013	CASE, GOVERNOR	1	1	1					
13	1	119285-61120	LINK, NO MARK	1	1	1					
13-1	1	119660-61121	LINK, NO MARK			1					N
		(C=E15989)									
14	1	119660-61460	SHIM SET	1	1	1					
15	1	129155-61480	SPACER ASSY	2	2	2					
16	1	119660-61491	SHAFT	1	1	1					
17	1	119600-61500	LEVER ASSY, GOVERNOR	1	1	1					
18	2	174307-51700	SHIM SET	2	2	2					
19	2	129155-61530	BUSH	2	2	2					
20	2	119600-61540	SHIFTER	1	1	1					
21	2	119600-61650	SPRING, STARTING	1	1	1					
22	2	22117-040000	WASHER, 4	1	1	1					
22-1	2	22117-040000	WASHER, 4	2	2	2					K
		(A=*1987.09) (B=E07233) (C=E15989)									
23	2	22272-000040	RING, E- 4	1	1	1					
24	2	22351-020004	PIN, SPRING 2.0X 4	1	1	1					
25	2	22351-030014	PIN, SPRING 3.0X14	1	1	1					
26	1	119600-61900	RETAINER, SHAFT	1	1	1					
27	1	119660-61901	RETAINER, SHAFT	1	1	1					
28	1	119285-66090	SHAFT ASSY	1	1	1					
28-1	1	119621-66091	SHAFT ASSY			1					N
		(C=E15989)									
29	1	22360-040000	PIN, SNAP 4	1	1	1					
30	1	24341-000070	O-RING, 1AS7.0	1	1	1					
31	1	26106-060102	BOLT, M6X 10 PLATED	2	2	2					
32	1	194990-22050	NUT, M8	1	1	1					
33	1	119260-66010	SPRING, REGULATOR	1							
34	1	119600-66020	SPRING, REGULATOR		1	1					
35	1	119640-66051	HANDLE, REGULATOR	1	1	1					
35-1	1	119621-66051	LEVER, REGULATOR			1					N
		(C=E15989)									
36	1	119260-66720	ANGLEICH ASSY	1							
37	2	129155-61590	NUT, LOCK	1							
38	1	119600-66700	ANGLEICH ASSY		1	1					
39	2	129155-61590	NUT, LOCK		1	1					

Fig.32. GOVERNOR

(A)=3TN66L-UHW
 (B)=3TNA68L-UHW
 (C)=3TNA72L-UHW

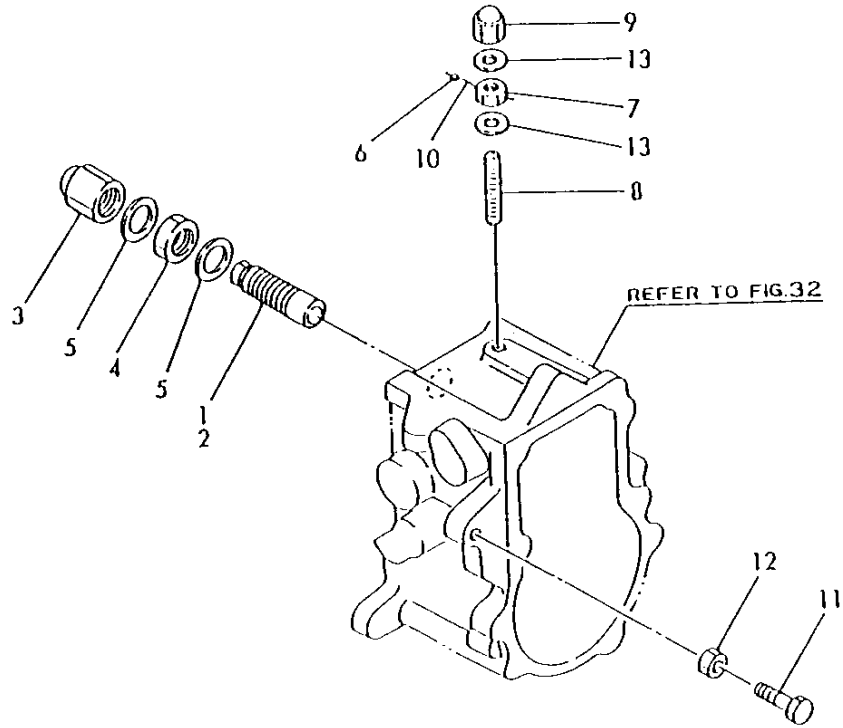
(D)=
 (E)=
 (F)=



No.	Lev.	Parts No.	Description	Q'ty						I	R
				(A)	(B)	(C)	(D)	(E)	(F)		
40	1	124250-03640	SCREW	1	1	1					
41	1	119656-66910	HOOK	1	1	1					Z
			(C=EXXX)								
42	1	104583-67300	SPRING, RETURN	1	1	1					Z
			(C=EXXX)								
42-1	1	160110-66011	SPRING, REGULATOR	1	1						R
		(A=*1987.11) (B=E07233)									
43	1	123682-39460	SUPPORT			2					W
			(C=EXXX)								
44	1	171002-65121	PIN			1					W
			(C=EXXX)								
45	1	119645-66510	LINK ASSY			1					W
			(C=EXXX)								
48	1	119600-66521	HANDLE, STOP			1					W
			(C=EXXX)								
49	1	119645-66530	BRACKET, SOLENOID			1					W
			(C=EXXX)								
50	1	129410-77951	SOLENOID			1					W
			(C=EXXX)								
51	1	22117-050000	WASHER, 5			2					W
			(C=EXXX)								
52	1	22360-050000	SNAP PIN 5			2					W
			(C=EXXX)								
53	1	22487-050160	PIN, H 5X 16			1					W
			(C=EXXX)								
54	1	24311-240100	O-RING, 1AP10A			1					W
			(C=EXXX)								
55	1	26106-080502	BOLT, M8X 50 PLATED			2					W
			(C=EXXX)								
56	1	26116-060122	BOLT, M6X 12 PLATED			2					W
			(C=EXXX)								

Fig.33. CONTROL SYSTEM

019260-66320
 019600-66310
 019260-66400

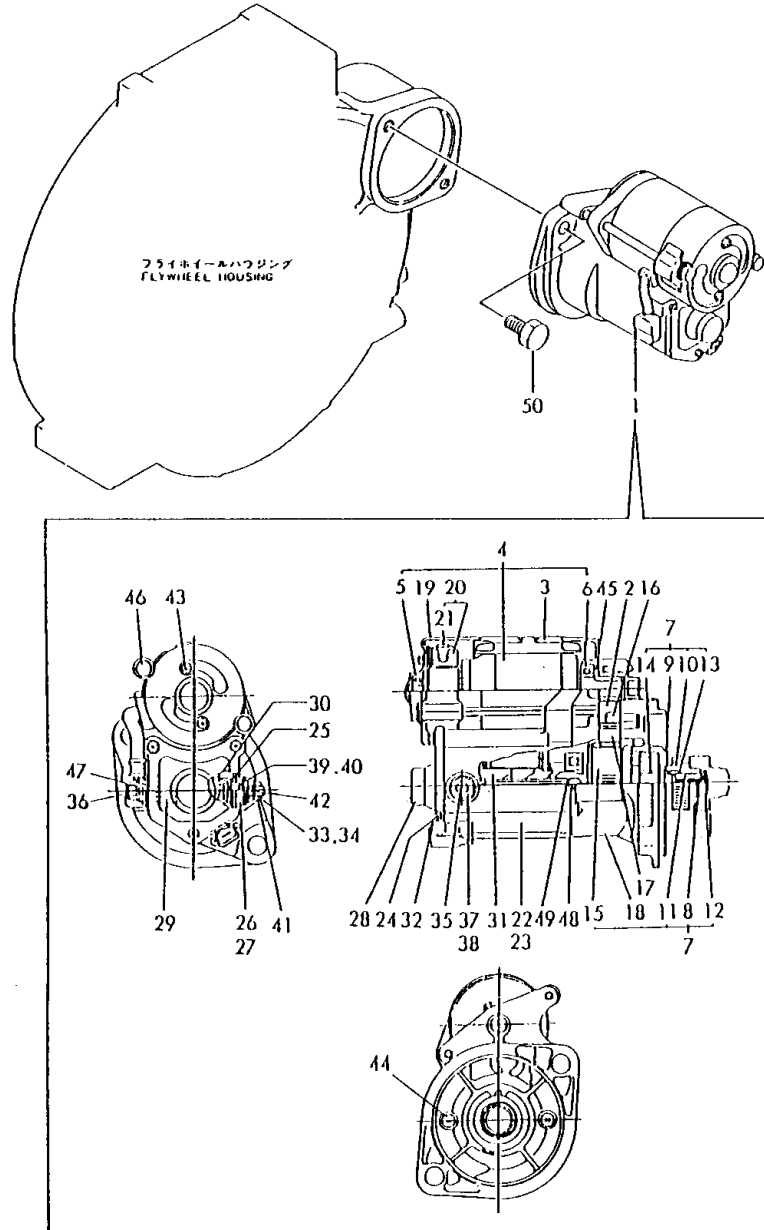


(A)=3TN66L-UHW
 (B)=3TNA68L-UHW
 (C)=3TNA72L-UHW

(D)=
 (E)=
 (F)=

No.	Lev.	Parts No.	Description	Q'ty						I	R
				(A)	(B)	(C)	(D)	(E)	(F)		
1	1	119260-66540	LIMITER ASSY, FUEL	1							
2	1	119600-66530	LIMITER ASSY, FUEL		1	1					
3	1	129100-61930	NUT, CAP	1	1	1					
4	1	124772-66750	NUT, LOCK M12	1	1	1					
5	1	43400-500450	SEAL WASHER 12	2	2	2					
6	1	135210-61090	LEAD	1	1	1					
7	1	124550-66370	NUT, M6	1	1	1					
8	1	121575-66830	SCREW	1	1	1					
9	1	119600-66840	NUT, CAP	1	1	1					
10	1	22451-060000	WIRE, 0.6	1	1	1					
11	1	26116-060304	BOLT, M6X 30 PLATED	1	1	1					
12	1	26756-060002	NUT, LOCK M6	1	1	1					
13	1	43400-500400	SEAL WASHER 6	2	2	2					

Fig.34. STARTING MOTOR(COMPONENT PARTS)



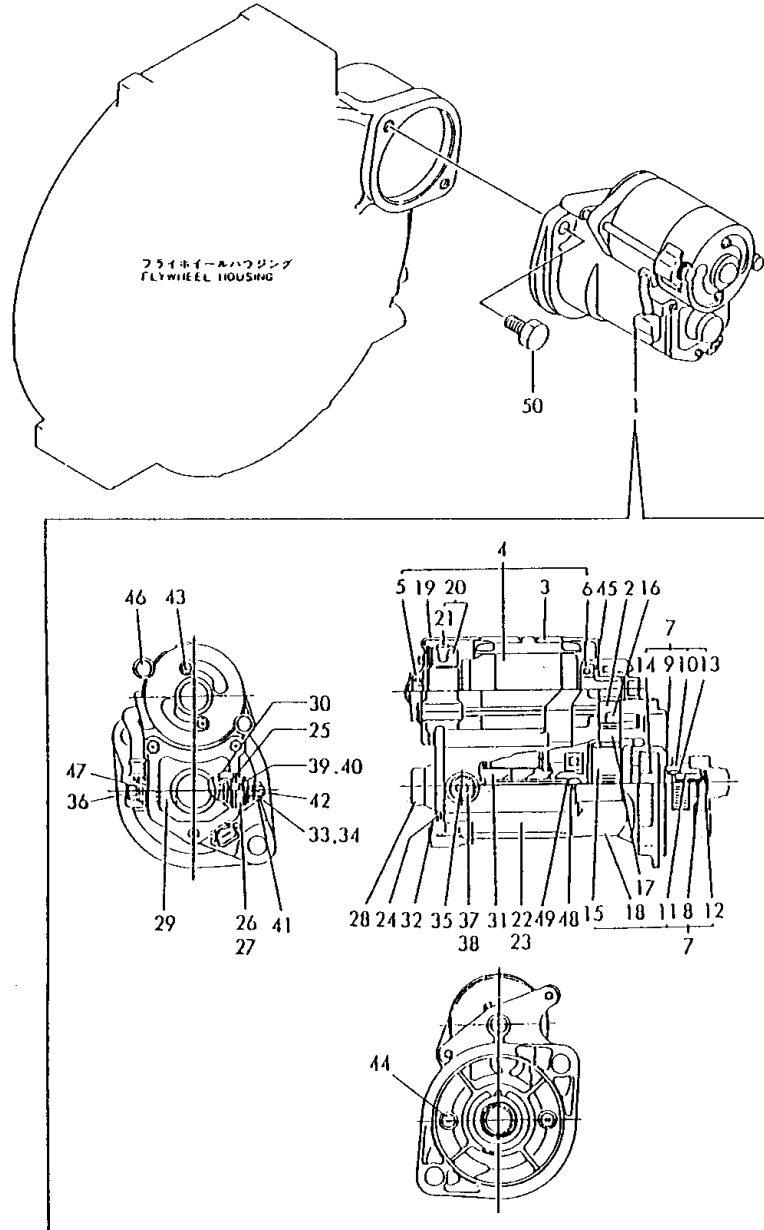
019640-77100

(A)=3TN66L-UHW
(B)=3TNA68L-UHW
(C)=3TNA72L-UHW
(D)=
(E)=
(F)=

No.	Lev.	Parts No.	Description	Q'ty						I	R
				(A)	(B)	(C)	(D)	(E)	(F)		
1	1	119620-77011	STARTER	1	1	1					
2	2	X0280630011	RETAINER	1	1	1					
3	2	X0281003751	YOKE ASSY	1	1	1					
4	2	X0282001531	ARMATURE ASSY	1	1	1					
5	3	X9491001360	BEARING	1	1	1					
6	3	X9491001860	BALL BEARING	1	1	1					
7	2	X0283005050	CLUTCH, STARTER	1	1	1					
8	3	X0280210230	NUT	1	1	1					
9	3	X0283270140	RETAINER	1	1	1					
10	3	X0283715030	PINION, STARTER	1	1	1					
11	3	X0283810040	SHAFT	1	1	1					
12	3	X9490721080	RING	1	1	1					
13	3	X9491703371	SPRING, COIL	1	1	1					
14	3	X9491704260	SPRING	1	1	1					
15	3	121120-77930	CASE ASSY, STARTER	1	1	1					
16	2	X0283060061	ROLLER	5	5	5					
17	2	X0283711420	PINION	1	1	1					
18	2	X0284004910	HOUSING, STARTER	1	1	1					
19	2	X0285040631	FRAME ASSY	1	1	1					
20	2	X0285100460	HOLDER ASSY, BRUSH	1	1	1					
21	3	X9491730461	SPRING	4	4	4					
22	2	X0534006460	SWITCH, MAGNETIC	1	1	1					
23	3	X0534040320	GASKET	1	1	1					
24	3	X0534490120	BUSH	1	1	1					
25	3	X0534490120	BUSH	1	1	1					
26	3	X0534490230	BUSH	1	1	1					
27	3	X0534490230	BUSH	1	1	1					
28	3	X0535050620	COVER	1	1	1					
29	3	X0535130241	PLATE (B)	1	1	1					
30	3	X0535130320	PLATE (A)	1	1	1					
31	3	X0536600401	PLUNGER	1	1	1					
32	3	X9151005141	BOLT W/WASHER	3	3	3					
33	3	X9490170900	WASHER	1	1	1					
34	3	X9490170900	WASHER	1	1	1					
35	3	X9490441303	BOLT	1	1	1					
36	3	X9490441312	BOLT	1	1	1					
37	3	X9490502820	NUT	1	1	1					
38	3	X9490502820	NUT	1	1	1					
39	3	X9491402100	O-RING	1	1	1					
40	3	X9491402100	O-RING	1	1	1					
41	2	X9019008651	NUT	1	1	1					
42	2	X9025808001	WASHER	1	1	1					
43	2	X9490071810	SCREW W/WASHER	2	2	2					
44	2	X9490071970	SCREW W/WASHER	2	2	2					
45	2	X9490200710	WASHER	1	1	1					Z
		(A=E XXX)	(B=E XXX)	(C=E XXX)							
46	2	X9490471500	BOLT W/WASHER	2	2	2					
46-1	2	X9490423330	BOLT W/WASHER	2	2	2					N
		(A=*1988.02)	(B=*1988.02)	(C=E 18586)							
47	2	X9490561370	NUT	1	1	1					
48	2	X9491200240	BALL	1	1	1					

Fig.34. STARTING MOTOR(COMPONENT PARTS)

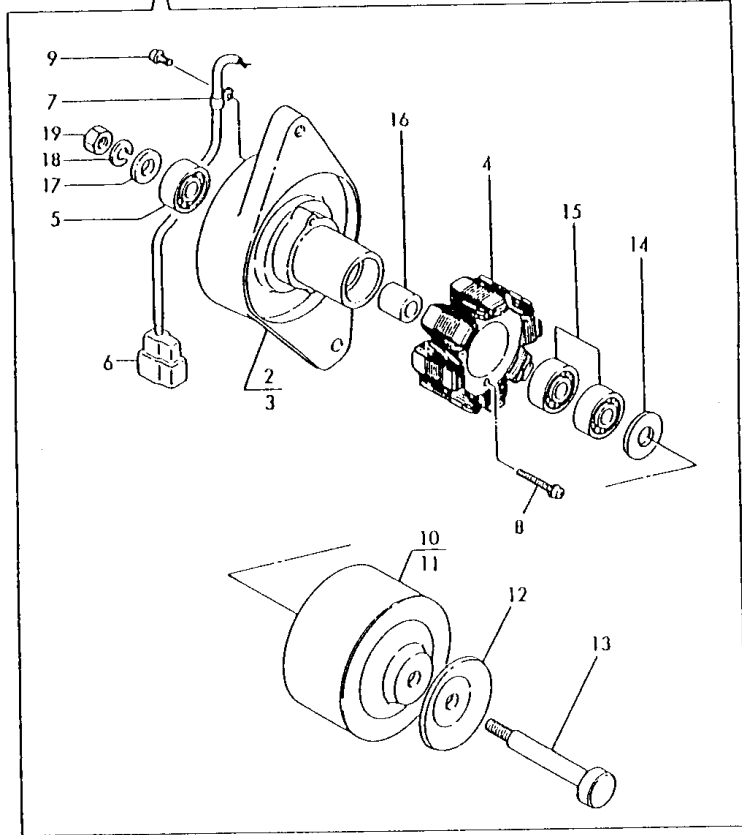
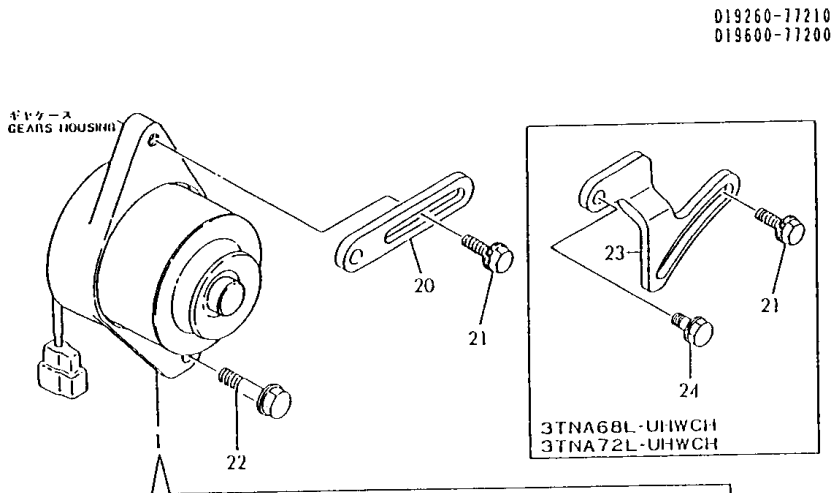
019640-77100



(A)=3TN66L-UHW (D)=
 (B)=3TNA68L-UHW (E)=
 (C)=3TNA72L-UHW (F)=

No.	Lev.	Parts No.	Description	Qty						I	R
				(A)	(B)	(C)	(D)	(E)	(F)		
49	2	X9491703380	SPRING	1	1	1					
50	1	26116-120252	BOLT, M12X 25 PLATED	2	2	2					

Fig.35. GENERATOR(COMPONENT PARTS)



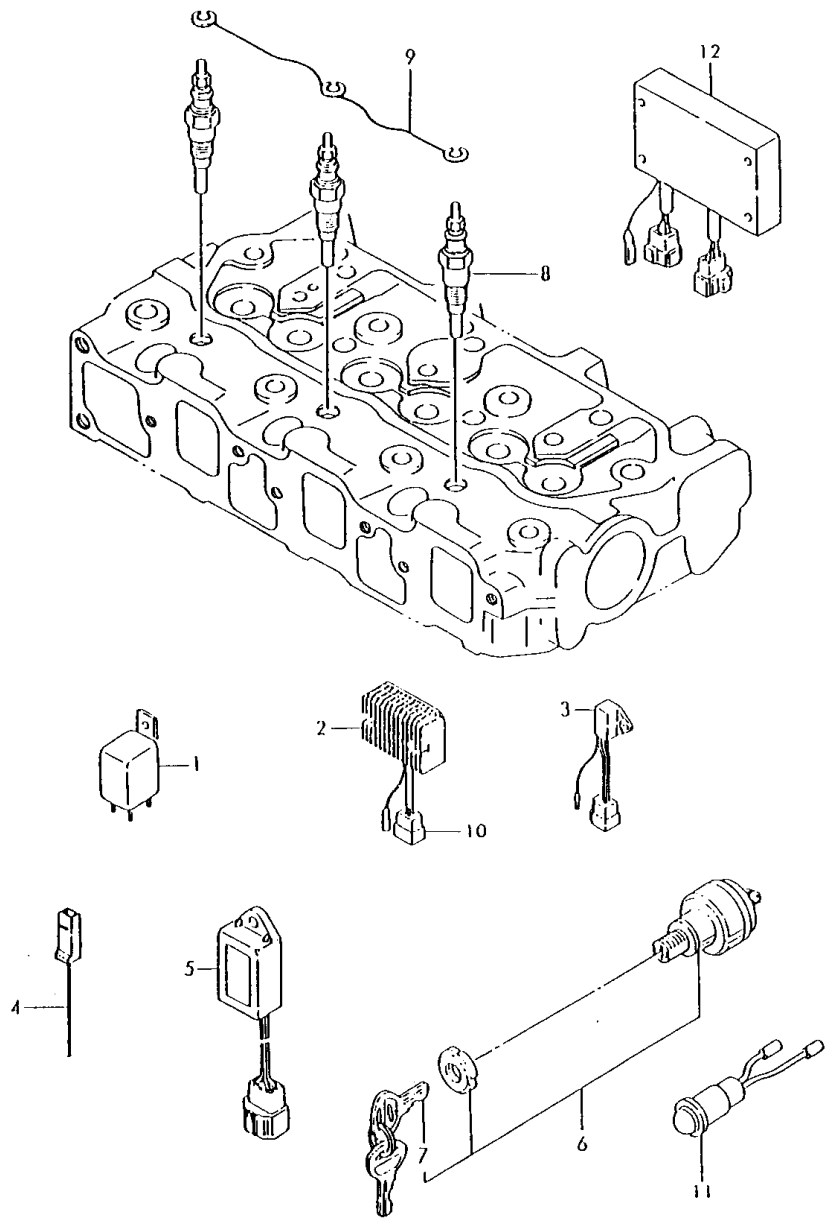
(A)=3TN66L-UHW
(B)=3TNA68L-UHW
(C)=3TNA72L-UHW

(D)=
(E)=
(F)=

No.	Lev.	Parts No.	Description	Q'ty						I	R
				(A)	(B)	(C)	(D)	(E)	(F)		
1	1	171301-77201	DYNAMO ASSY, 15A	1	1	1					
2	2	XM08137	PLATE ASSY	1	1	1					
3	3	XM08138	PLATE	1	1	1					
4	3	XM08180	STATOR ASSY	1	1	1					
5	3	XM27436	BALL BEARING	1	1	1					
6	3	XM17878	COUPLER	1	1	1					
7	3	XM36410	CLAMP	1	1	1					
8	3	26022-040252	SCREW, M4X25	2	2	2					
9	3	XYSPS4008	SCREW	1	1	1					
10	2	XM82184	FLYWHEEL ASSY	1	1	1					
11	3	XM82110	FLYWHEEL	1	1	1					
12	3	XM72174	PULLEY	1	1	1					
13	3	XM72664	SHAFT	1	1	1					
14	3	XM37336	WASHER	1	1	1					
15	3	XM27436	BALL BEARING	2	2	2					
16	2	106383-44720	SPACER	1	1	1					
17	2	106383-44730	WASHER	1	1	1					
18	2	22212-100000	WASHER 10,SPRING	1	1	1					
19	2	26716-100002	NUT, M10	1	1	1					
20	1	121450-77330	ADJUSTER	1							
21	1	26014-080252	BOLT, M8X 25	1	1	1					
22	1	26106-100402	BOLT, M10X 40 PLATED	1	1	1					
23	1	119600-77330	ADJUSTER		1	1					
24	1	26106-080182	BOLT, M8X 18 PLATED		1	1					

Fig.36. ELECTRIC PARTS

019600-77300
 019247-93100
 019647-93100
 019647-93110

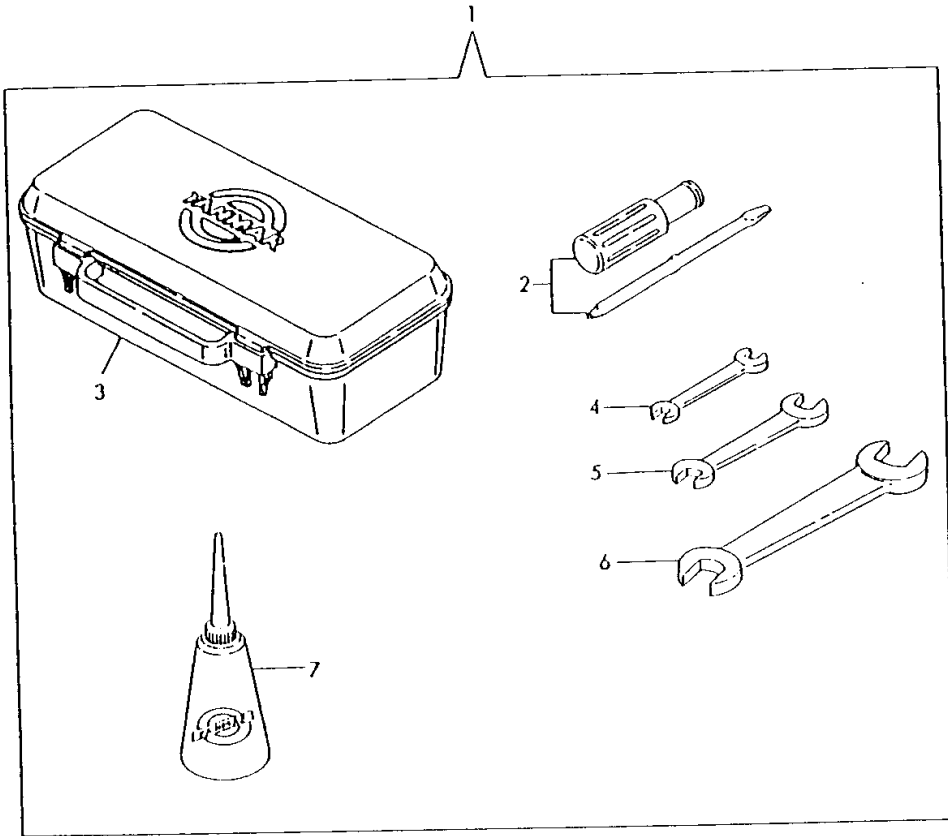


(A)=3TN66L-UHW
 (B)=3TNA68L-UHW
 (C)=3TNA72L-UHW
 (D)=
 (E)=
 (F)=

No.	Lev.	Parts No.	Description	Q'ty						I	R
				(A)	(B)	(C)	(D)	(E)	(F)		
1	1	121522-77101	RELAY, SAFETY	1	1	1					
2	1	171301-77700	LIMITER, CURRENT	1	1	1					
2-1	1	119660-77710	LIMITER, CURRENT 15A			1					N
			(C=E18586)								
3	1	121522-77721	INDICATOR	1	1	1					
3-1	1	121522-77721	INDICATOR			1					Z
			(C=EXXX)								
4	1	119643-77900	CONNECTOR, STARTER	1	1	1					
5	1	128300-77920	TIMER	1	1	1					
6	1	121400-91251	SWITCH, STARTER	1	1	1					
7	2	121400-91271	KEY, SWITCH	2	2	2					
8	1	129795-77800	PLUG, GLOW	3	3	3					
9	1	119620-77820	CONNECTOR, GLOW PLUG	1	1	1					
10	1	119865-77720	CONNECTOR			1					W
			(C=E18586)								
11	1	124732-77720	LAMP, CHARGING			1					W
			(C=E18586)								
12	1	171440-77800	RELAY, EMERGENCY			1					W
			(C=E18586)								
12-1	1	171440-77801	RELAY, EMERGENCY			1					R
			(C=*1990.06)								

Fig.37. TOOLS

D19247-93100
 D19647-93100
 D19647-93110

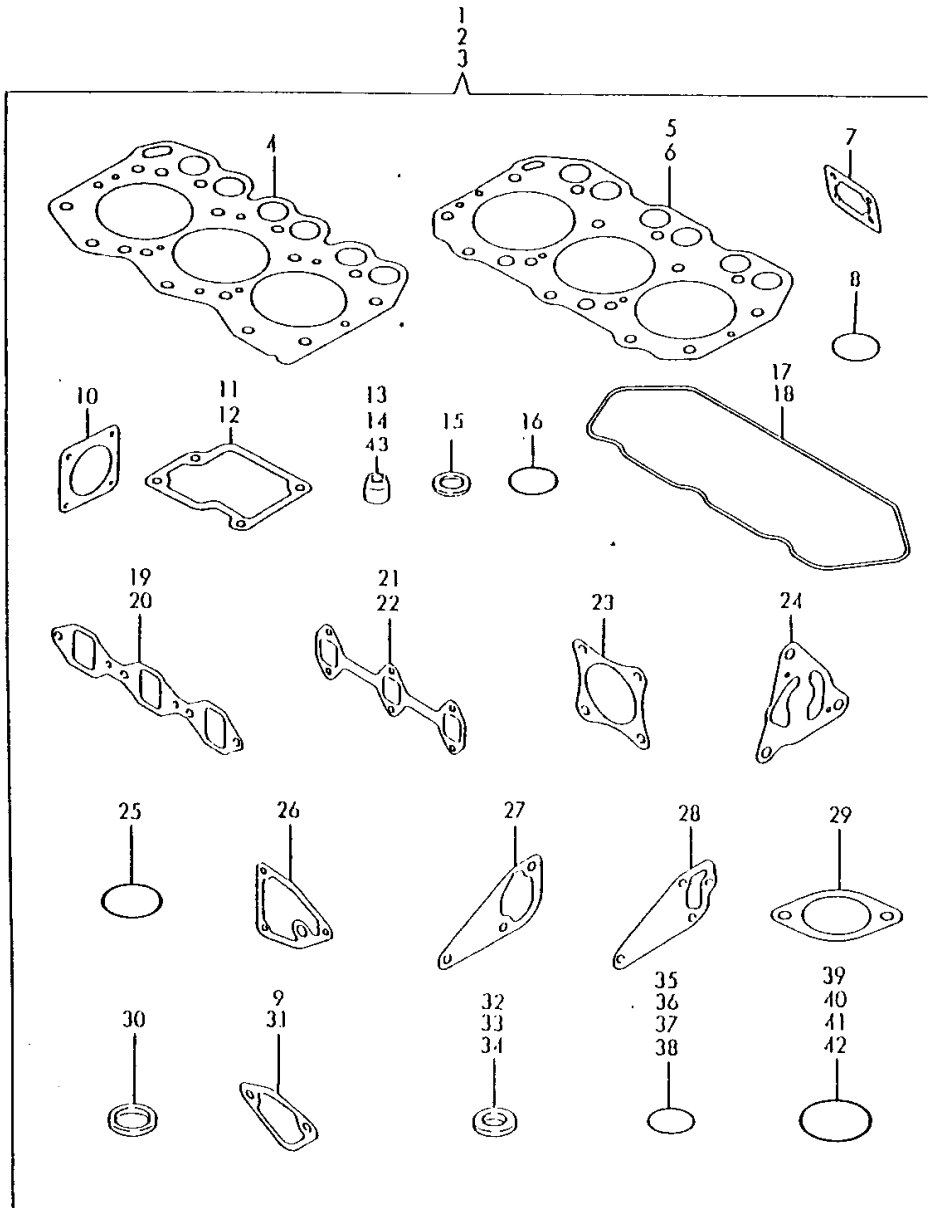


(A)=3TN66L-UHW
 (B)=3TNA68L-UHW
 (C)=3TNA72L-UHW

(D)=
 (E)=
 (F)=

No.	Lev.	Parts No.	Description	Q'ty						I	R
				(A)	(B)	(C)	(D)	(E)	(F)		
1	1	171001-93100	BOX, TOOL	1	1	1					
2	2	104200-92350	DRIVER, SCREW	1	1	1					
3	2	104200-92600	BOX, TOOL	1	1	1					
4	2	28110-100120	SPANNER, 10X12	1	1	1					
5	2	28110-140170	SPANNER, 14X17	1	1	1					
6	2	28110-190220	SPANNER, 19X22	1	1	1					
7	2	28210-000140	OILER	1	1	1					

Fig.38. GASKET SET(OPTION)

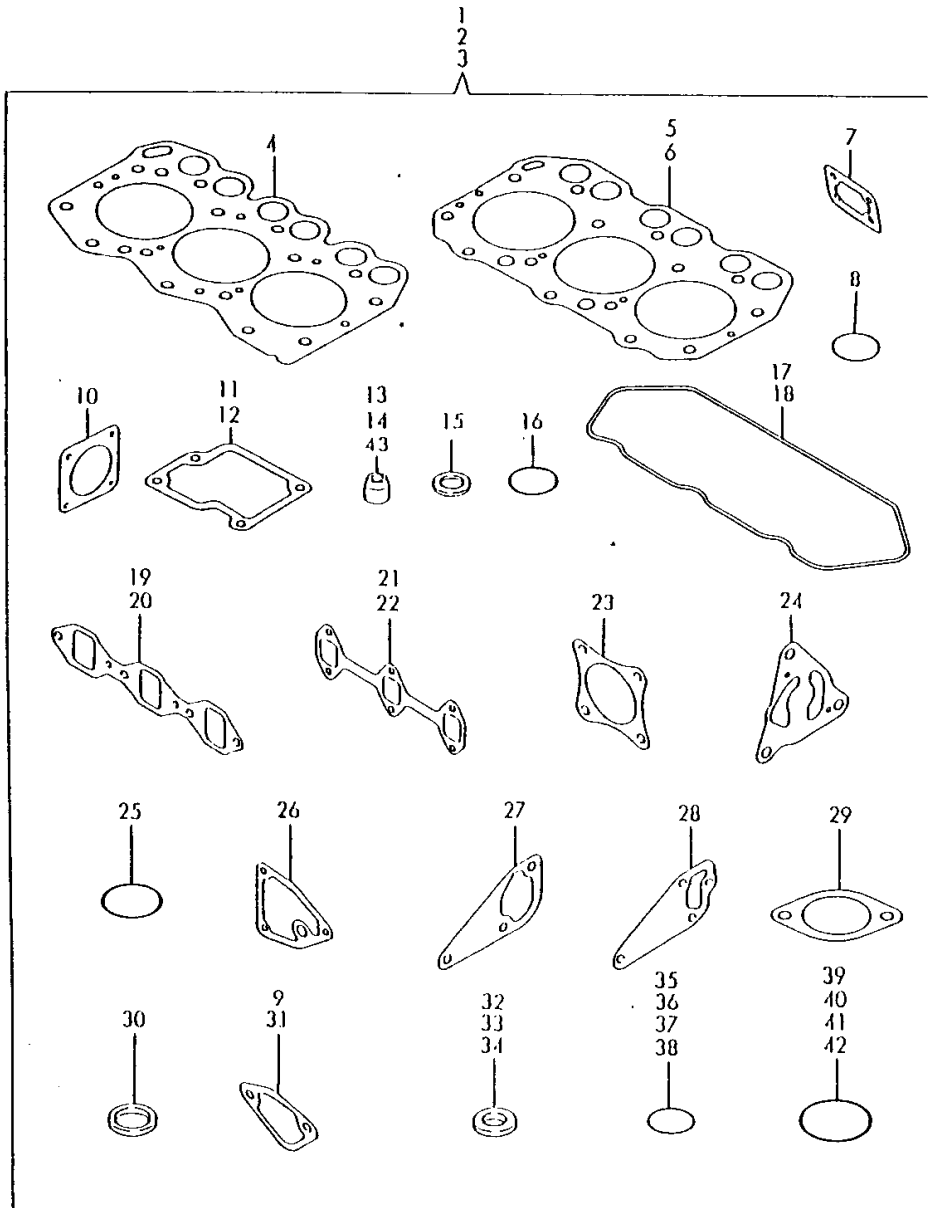


(A)=3TN66L-UHW
(B)=3TNA68L-UHW
(C)=3TNA72L-UHW

(D)=
(E)=
(F)=

No.	Lev.	Parts No.	Description	Q'ty						I	R
				(A)	(B)	(C)	(D)	(E)	(F)		
1	1	719241-92600	GASKET SET	1							
1-1	1	719241-92601	GASKET SET	1							N
(A=EXXX)											
2	1	719643-92600	GASKET SET		1						
2-1	1	719643-92601	GASKET SET		1						N
(B=EXXX)											
3	1	719642-92600	GASKET SET						1		
3-1	1	719642-92601	GASKET SET						1		N
(C=EXXX)											
4	2	119225-01340	GASKET, HEAD	1							
5	2	119656-01340	GASKET, HEAD		1						
6	2	119610-01340	GASKET, HEAD						1		
7	2	119660-01561	GASKET	1	1	1					
7-1	2	119660-01562	GASKET	1	1	1					N
(A=*1990.01) (B=*1990.01) (C=*1990.01)											
8	2	121420-01760	O-RING	1	1	1					
8-1	2	24311-000320	O-RING, 1AP32.0	1	1	1					N
(A=*1988.04) (B=*1988.04) (C=E21755)											
9	2	121520-01850	GASKET						1		
9-1	2	121520-01851	GASKET						1		N
(C=*1990.01)											
10	2	124240-01882	GASKET			1					
11	2	119260-03030	GASKET	1							
11-1	2	119260-03031	GASKET	1							N
(A=*1990.06)											
12	2	119620-03030	GASKET		1	1					
12-1	2	119620-03031	GASKET		1	1					N
(B=*1990.01) (C=*1990.01)											
13	2	119260-11340	SEAL, VALVE STEM	6							
14	2	124950-11340	SEAL, VALVE STEM		6	6					
14-1	2	124950-11340	SEAL, VALVE STEM		3	3					K
(B=E07233) (C=E15989)											
15	2	119600-11460	GASKET, NOZZLE	6	6	6					
16	2	121420-01760	O-RING	1	1	1					
16-1	2	24311-000320	O-RING, 1AP32.0	1	1	1					N
(A=*1988.04) (B=*1988.04) (C=E21755)											
17	2	119260-11310	GASKET, BONNET	1							
18	2	119620-11310	GASKET, BONNET		1	1					
19	2	119260-12110	GASKET, MANIFOLD	1							
19-1	2	119260-12111	GASKET, MANIFOLD	1							N
(A=*1990.06)											
20	2	119620-12110	GASKET, MANIFOLD		1	1					
20-1	2	119620-12111	GASKET, MANIFOLD		1	1					N
(B=*1990.04) (C=*1990.04)											
21	2	119260-13110	GASKET	1							
22	2	119620-13110	GASKET		1	1					
23	2	121000-13200	GASKET, SILENCER	1	1	1					
24	2	119660-32020	GASKET, PUMP	1	1	1					
25	2	124450-35110	O-RING	1	1	1					
26	2	119660-35112	GASKET		1	1					
26-1	2	119660-35113	GASKET		1	1					N

Fig.38. GASKET SET(OPTION)

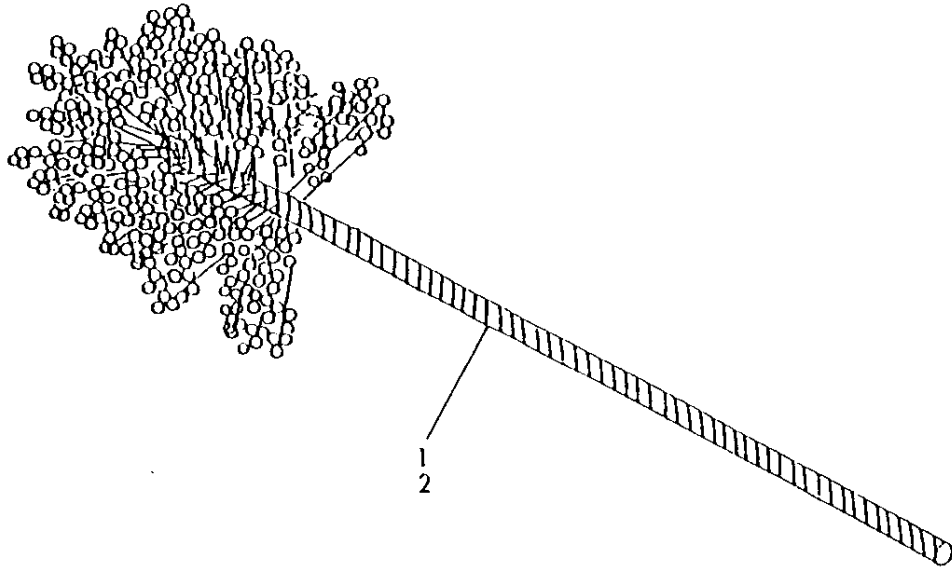


(A)=3TN66L-UHW
(B)=3TNA68L-UHW
(C)=3TNA72L-UHW

(D)=
(E)=
(F)=

No.	Lev.	Parts No.	Description	Q'ty						I	R
				(A)	(B)	(C)	(D)	(E)	(F)		
		(B=*1990.01)	(C=*1990.01)								
27	2	119260-42020	GASKET, WATER PUMP	1							
28	2	119620-42020	GASKET, WATER PUMP		1	1					
29	2	129350-49540	GASKET		1	1					
29-1	2	129350-49541	GASKET		1	1					N
		(B=*1990.01)	(C=*1990.01)								
30	2	124465-44950	GASKET, 16	1	2						
31	2	121520-01850	GASKET	1	1	1					
31-1	2	121520-01851	GASKET	1	1	1					N
		(A=*1990.01)	(B=*1990.01)	(C=*1990.01)							
32	2	104200-59170	GASKET, 12	2	2						
33	2	23414-080012	GASKET, 8X1.0	4	4						
34	2	23414-140000	GASKET, 14X1.0	3	3						
35	2	24311-000120	O-RING, 1AP12.0	5	5						
36	2	24311-000160	O-RING, 1AP16.0		1	1					
37	2	24311-000180	O-RING, 1AP18.0	1							
38	2	24311-240100	O-RING, 1AP10A	1	1						
39	2	24321-000350	O-RING, 1AG35.0	1							
40	2	24341-000250	O-RING, 1AS25.0		1						
41	2	24341-000260	O-RING, 1AS26.0	1	1	1					
41-1	2	24341-000240	O-RING, 1AS24.0	1	1	1					S
		(A=*1989.01)	(B=*1989.01)	(C=E25840)							
42	2	102103-55520	O-RING	2	2	2					
43	2	124160-11340	SEAL, VALVE STEM		3	3					W
		(B=E07233)	(C=E15989)								

Fig.39. SPECIAL TOOL(OPTIONAL)



(A)=3TN66L-UHW
 (B)=3TNA68L-UHW
 (C)=3TNA72L-UHW

(D)=
 (E)=
 (F)=

No.	Lev.	Parts No.	Description	Q'ty						I	R
				(A)	(B)	(C)	(D)	(E)	(F)		
1	1	129400-92400	FLEX HORN	1	1						
2	1	129400-92410	FLEX HORN			1					

Parts No. Index

Parts No.	Fig. No.	Ref. No.
101158-11190	10	21
101304-59020	30	1 -1
101720-55750	28	7
		19
102103-55520	28	3
		15
	38	42
103854-59191	30	3
104200-55321	28	8 A
		11
104200-55330	28	8 B
		12
104200-55341	28	8 C
		13
104200-55750	28	8 D
		20
104200-59170	30	2
	38	32
104200-92350	37	2
104200-92600	37	3
104211-11370	10	23
104264-59030	30	7
104514-42780	22	7
104583-67300	32	42
104884-59170	2	16
	3	16
105010-11230	11	4
		7
		16
		19
105025-59550	31	10
105225-22400	17	9
105225-23200	17	23
105225-59100	30	5 -1
105546-51330	26	12
105582-59150	30	8
106383-44720	35	16
106383-44730	35	17
110250-55610	28	4
		16
114250-11120	10	9
114250-11180	10	10
114250-11190	10	11
114250-53130	27	6
114250-53400	27	8
119225-01340	38	4
119225-35300	20	5
119225-42320	22	1 J
119225-51100	26	4
119225-51300	26	10

Parts No.	Fig. No.	Ref. No.
119225-55600	28	1
119225-59810	29	3 -1
119255-01340	1	14
119260-01200	1	13
119260-01490	4	1
119260-01590	4	5
119260-01770	8	1 -1
119260-02020	1	8
119260-02410	1	11
119260-03020	12	9
119260-03030	12	11
	38	11
119260-03031	12	11 -1
	38	11 -1
119260-07900	10	27
119260-11100	10	7
119260-11110	10	8
119260-11200	11	1
119260-11240	11	2
119260-11260	11	9
119260-11270	11	10
119260-11280	11	11
119260-11310	12	3
	38	17
119260-11340	10	12
	38	13
119260-11370	10	13
119260-11800	10	4
119260-12100	14	1
119260-12110	14	3
	38	19
119260-12111	14	3 -1
	38	19 -1
119260-13100	14	6
119260-13110	14	7
	38	21
119260-14010	15	2
119260-14100	15	5
119260-14200	15	7
119260-14400	15	9
119260-21200	16	3
119260-21650	16	6
119260-22300	17	7
119260-23200	17	20
119260-23910	17	19
119260-25100	18	3
119260-25900	18	9
119260-32000	19	1
119260-35081	21	1
119260-42000	22	1

Parts No.	Fig. No.	Ref. No.
119260-42001	22	1 -1
119260-42020	22	3
	38	27
119260-44500	23	6
119260-49530	24	1
119260-49800	24	2
119260-59520	31	3
		8 -1
119260-59530	31	4
		9 -1
119260-59540	31	1
119260-59550	31	5
119260-59810	29	3
119260-59820	29	5
119260-59830	29	7
119260-66010	32	33
119260-66540	33	1
119260-66720	32	36
119270-22090	17	1
119270-22091	17	1 -1
119280-49020	25	4
119285-61120	32	13
119285-66090	32	28
119288-49010	25	2
119454-01721	8	4
119600-01050	2	2 -1
	3	2 -1
119600-01600	6	1
119600-01722	9	4
119600-01770	9	1 -1
119600-11450	10	24
119600-11460	10	25
	38	15
119600-13100	14	8
119600-21580	16	11 -1
119600-22091	17	3
119600-22092	17	3 -1
119600-35091	21	2
119600-52021	5	26 -1
119600-61200	32	4
119600-61500	32	17
119600-61540	32	20
119600-61650	32	21
119600-61900	32	26
119600-66020	32	34
119600-66521	32	48
119600-66530	33	2
119600-66700	32	38
119600-66840	33	9
119600-77330	35	23

Parts No.	Fig. No.	Ref. No.
119610-01340	3	14
	38	6
119610-01490	5	1
119610-01590	5	3
119620-01200	2	13
	3	13
119620-01620	7	3
119620-01750	6	3
119620-01800	4	6
	5	4
119620-01950	4	8
	5	7
119620-02020	2	7
	3	7
119620-02410	2	10
	3	10
119620-02450	1	12
	2	11
	3	11
119620-03020	12	10
119620-03030	12	12
	38	12
119620-03031	12	12 -1
	38	12 -1
119620-11100	10	17
119620-11110	10	18
119620-11120	10	19
119620-11180	10	20
119620-11200	11	13
119620-11240	11	14
119620-11260	11	21
119620-11280	11	22
119620-11310	12	4
	38	18
119620-11350	11	25
119620-11390	12	8
119620-11801	10	14
119620-12101	14	2
119620-12110	14	4
	38	20
119620-12111	14	4 -1
	38	20 -1
119620-13110	14	9
	38	22
119620-14010	15	3
119620-14100	15	6
119620-14200	15	8
119620-14400	15	10
119620-21941	16	9
119620-22090	17	5

Parts No. Index

Parts No.	Fig. No.	Ref. No.
119620-22300	17	8
119620-23910	17	22
119620-25102	18	5
119620-25912	18	4
		6
119620-42020	22	4
	38	28
119620-42291	22	8
119620-42320	22	2 J
119620-42350	22	5
119620-51101	26	5
119620-51170	26	6
119620-51180	26	7
119620-51190	26	8
119620-51250	26	9
119620-51300	26	11
119620-51340	26	13
119620-51350	26	14
119620-51370	26	15
119620-51450	26	16
119620-51461	26	17
119620-51510	26	19
119620-51650	26	21
119620-51660	26	22
119620-51670	26	23
119620-51680	26	24
119620-51700	26	25
119620-53000	27	2
119620-53080	27	3
119620-53120	27	5
119620-53140	27	7
119620-59540	31	6
119620-59700	31	11
119620-59810	29	4
119620-59811	29	4 -1
119620-59820	29	6
119620-59821	29	6 -1
119620-59830	29	8
119620-59831	29	8 -1
119620-77011	34	1
119620-77820	36	9
119621-21680	16	8
119621-66051	32	35 -1
119621-66091	32	28 -1
119640-66051	32	35
119643-21590	16	11
119643-77900	36	4
119645-34800	1	17
	2	18
	3	18

Parts No.	Fig. No.	Ref. No.
119645-49020	25	5
119645-66510	32	45
119645-66530	32	49
119649-21650	16	7
119650-42291	22	8 -1
119656-01340	2	14
	38	5
119656-01900	2	15
	3	15
119656-66910	32	41
119660-01510	5	2
119660-01551	4	15
	5	16
119660-01561	4	16
	5	17
	38	7
119660-01562	4	16 -1
	5	17 -1
	38	7 -1
119660-01570	4	17
	5	18
119660-01640	7	1
119660-01821	15	1
119660-01911	4	7
	5	6
119660-14092	15	4
119660-21201	16	4
119660-25022	18	1
119660-25052	18	2
119660-25902	18	10
119660-32001	19	2
119660-32020	19	3
	38	24
119660-35102	20	1
119660-35112	20	2
	38	26
119660-35113	20	2 -1
	38	26 -1
119660-35150	20	3
119660-35300	20	6
119660-42003	22	2
119660-42004	22	2 -1
119660-42350	22	6
119660-51500	26	18
119660-51530	26	20
119660-61013	32	12
119660-61051	32	1
119660-61052	32	1 -1
119660-61060	32	2
119660-61070	32	3

Parts No.	Fig. No.	Ref. No.
119660-61071	32	3 -1
119660-61121	32	13 -1
119660-61300	32	5
119660-61341	32	6
119660-61460	32	14
119660-61491	32	16
119660-61901	32	27
119660-77710	36	2 -1
119688-49010	25	3
119865-21600	16	12
119865-77720	36	10
121000-13200	14	18
	38	23
121023-01550	4	21
	5	22
121023-44740	23	1
121111-21501	16	10
121120-01620	6	2
121120-77930	34	15
121250-44901	24	8
121250-49121	25	7
121250-55620	28	5
121250-59080	30	5
121254-55510	28	2
		14
121256-44600	23	16
121257-55700	28	10
121257-55720	28	17
121257-55731	28	18 -1
121257-57731	28	18
121400-01640	8	2
121400-91251	36	6
121400-91271	36	7
121420-01760	4	19
	5	20
	12	2
	38	8
		16
121450-01560	4	2
	5	2 A
		5
121450-42450	22	10 -1
	24	4
121450-44510	23	10
121450-44530	23	11
121450-49110	25	5 A
121450-77330	35	20
121465-12500	13	1 -1
121465-12510	13	2 -1
121465-12650	13	3 -1

Parts No.	Fig. No.	Ref. No.
121465-12660	13	4 -1
121465-12700	13	7
121470-44540	23	14
		14 -1
121520-01850	4	24
	5	25
	38	9
		31
121520-01851	4	24 -1
	5	25 -1
	38	9 -1
		31 -1
121520-01860	4	25
	5	26
121520-34810	1	18
	2	19
	3	19
121522-77101	36	1
121522-77721	36	3
		3 -1
121550-49111	25	1
121575-66830	33	8
121850-11860	10	5
		15
123682-39460	32	43
123682-44210	23	7
		9
124060-01050	1	2
124064-12680	13	5
124064-12690	13	6
124066-59100	30	4 -1
	31	2
		7
124085-02220	7	2
124160-01751	4	18
	5	19
	12	1
124160-01900	2	2
124160-01910	3	2
124160-11340	10	23 C
	38	43
124160-11360	12	5
124160-39450	21	6
124240-01882	38	10
124250-03640	32	40
124450-35110	20	4
	38	25
124450-44550	23	15
124450-44560	23	12
124465-44950	24	9

Parts No. Index

Parts No.	Fig. No.	Ref. No.
124465-44950	38	30
124550-55700	28	6
124550-66370	33	7
124574-44761	23	3
124700-44740	23	2
124732-77720	36	11
124766-59050	30	4
124767-59080	30	6
124772-66750	33	4
124950-11340	10	22
		22 -1
	38	14
		14 -1
128300-77920	36	5
129100-01580	6	4
	16	5 B
		13
129100-61930	33	3
129150-35350	20	7
129150-59020	30	1
129150-59120	29	1
129150-59130	29	2
129155-51280	32	11
129155-59520	31	8
129155-59530	31	9
129155-61480	32	15
129155-61530	32	19
129155-61590	32	37
		39
129155-61830	27	9
129350-49530	24	5
129350-49540	24	6
	38	29
129350-49541	24	6 -1
	38	29 -1
129350-49800	24	7
129400-92400	39	1
129400-92410	39	2
129410-77951	32	50
129795-77800	36	8
135210-61090	33	6
160110-66011	32	42 -1
171001-93100	37	1
171002-44502	23	8
171002-65121	32	44
171033-12500	13	1
171033-12510	13	2
171033-12540	13	3
171033-12560	13	4
171059-55600	28	1 -1

Parts No.	Fig. No.	Ref. No.
171081-55910	28	21
171301-01640	9	2
171301-77201	35	1
171301-77700	36	2
171353-44760	23	17
171440-77800	36	12
171440-77801	36	12 -1
174307-51700	32	18
194990-22050	4	4
	5	8
	14	11
		12
	32	32
22117-040000	32	22
		22 -1
22117-050000	32	51
22137-040000	26	26
22212-100000	35	18
22217-040000	26	27
22217-050000	12	13
22242-000100	11	12
22242-000120	11	23
22242-000200	18	7
22252-000210	17	10
22272-000040	32	23
22351-020004	32	24
22351-030014	32	25
22351-040010	4	3
	5	2 B
		9
	32	7
22351-060012	10	26
22360-040000	32	29
22360-050000	32	52
22360-060000	32	8
22451-060000	33	10
22487-050160	32	53
22512-040120	15	11
		12
	16	5
23010-038000	25	9
23065-070180	23	13
23065-120800	12	15
23414-080012	30	9
	38	33
23414-140000	31	12
	38	34
23414-160021	22	9
23418-060000	28	8
		22

Parts No.	Fig. No.	Ref. No.
23871-010000	2	3
	3	3
23887-160002	22	10
24101-062034	15	13
24102-063034	15	14
24311-000120	4	9
	5	10
	12	16
	21	3
	38	35
24311-000160	20	8
	25	8
	38	36
24311-000180	8	3
	38	37
24311-000320	4	19 -1
	5	20 -1
	12	2 -1
	38	8 -1
		16 -1
24311-240100	28	8 E
		23
	32	54
	38	38
24321-000350	24	3
	38	39
24341-000070	32	30
24341-000240	4	22 -1
	5	23 -1
	9	3
	38	41 -1
24341-000250	38	40
24341-000260	4	22
	5	23
	38	41
26013-060202	19	4
26014-060122	22	11
26014-060202	5	27 -1
26014-080252	35	21
26014-080702	28	9 -1
26022-040082	26	28
26022-040252	35	8
26106-060102	8	5
	21	4
	32	31
26106-060122	1	15
	2	12
	3	12
	9	5
	18	8

Parts No.	Fig. No.	Ref. No.
26106-060122	21	5
26106-060162	4	10
		26
	5	11
		27
	15	15
26106-060182	4	23
	5	24
	24	10
26106-060202	7	4
	14	5
	23	5
26106-060222	7	4 -1
26106-060302	4	11
	5	12
26106-060352	14	13
	23	4
26106-060402	4	12
26106-060452	8	6
	9	6
26106-060502	4	13
26106-060602	5	13
		14
26106-060652	4	14
26106-060702	32	9
26106-060802	5	15
26106-080142	10	28
		29
26106-080182	35	24
26106-080202	20	9
	24	11
26106-080402	14	14
26106-080452	11	26
	22	12
26106-080502	32	55
26106-080652	28	9
26106-100402	35	22
26116-050102	32	10
26116-060122	32	56
26116-060304	33	11
26116-120252	34	50
26206-100252	6	5
26216-060402	14	16
26216-080222	14	15
26216-080552	14	17
26366-060002	4	20
	5	21
	14	10
26366-080002	11	27
26450-060202	19	5

Parts No. Index

Parts No.	Fig. No.	Ref. No.
26557-050102	12	14
26587-040102	26	29
26587-080102	15	16
26716-100002	35	19
26756-060002	11	5
		8
		17
		20
	33	12
26979-050162	11	24
27221-060100	1	3
27231-400000	1	4
27231-450000	2	4
	3	4
27241-100000	1	5
27241-120000	2	5
	3	5
27241-250000	1	6
27241-300000	1	7
	2	6
	3	6
27241-350000	10	6
27241-400000	10	16
28110-100120	37	4
28110-140170	37	5
28110-190220	37	6
28210-000140	37	7
43400-500400	33	13
43400-500450	33	5
719225-51100	26	1
719241-92600	38	1
719241-92601	38	1 -1
719260-01560	1	1
719260-02800	1	9
719260-02870	1	16
719260-02930	1	10
719260-11520	12	6
719260-11650	11	3
719260-11660	11	6
719260-11700	10	1
719260-21700	16	1
719260-23100	17	17
719260-23600	17	21
719260-23610	17	25
719270-22500	17	2
719270-22501	17	2 -1
719270-22540	17	12
719270-22820	17	11
719288-01540	8	1
719600-01541	9	1

Parts No.	Fig. No.	Ref. No.
719600-01562	2	1
719600-11700	10	2
719600-22501	17	4
719600-22540	17	14
719600-22820	17	13
719610-01560	3	1
719620-02800	2	8
	3	8
719620-02870	2	17
	3	17
719620-02930	2	9
	3	9
719620-11520	12	7
719620-11650	11	15
719620-11660	11	18
719620-11700	10	3
719620-22500	17	6
719620-22540	17	16
719620-22820	17	15
719620-23100	17	18
719620-23600	17	24
719620-23610	17	26
719620-53100	27	1
719621-51100	26	3
719630-22502	17	4 -1
719642-92600	38	3
719642-92601	38	3 -1
719643-92600	38	2
719643-92601	38	2 -1
719660-21700	16	2 -1
719660-21701	16	2
719660-51100	26	2
X0280210230	34	8
X0280630011	34	2
X0281003751	34	3
X0282001531	34	4
X0283005050	34	7
X0283060061	34	16
X0283270140	34	9
X0283711420	34	17
X0283715030	34	10
X0283810040	34	11
X0284004910	34	18
X0285040631	34	19
X0285100460	34	20
X0534006460	34	22
X0534040320	34	23
X0534490120	34	24
		25
X0534490230	34	26

Parts No.	Fig. No.	Ref. No.
X0534490230	34	27
X0535050620	34	28
X0535130241	34	29
X0535130320	34	30
X0536600401	34	31
X9019008651	34	41
X9025808001	34	42
X9151005141	34	32
X9490071810	34	43
X9490071970	34	44
X9490170900	34	33
		34
X9490200710	34	45
X9490423330	34	46 -1
X9490441303	34	35
X9490441312	34	36
X9490471500	34	46
X9490502820	34	37
		38
X9490561370	34	47
X9490721080	34	12
X9491001360	34	5
X9491001860	34	6
X9491200240	34	48
X9491402100	34	39
		40
X9491703371	34	13
X9491703380	34	49
X9491704260	34	14
X9491730461	34	21
XM08137	35	2
XM08138	35	3
XM08180	35	4
XM17878	35	6
XM27436	35	5
		15
XM36410	35	7
XM37336	35	14
XM72174	35	12
XM72664	35	13
XM82110	35	11
XM82184	35	10
XYSPS4008	35	9

Parts No.	Fig. No.	Ref. No.
-----------	----------	----------