

OCD10-M39201EN

PREFACE

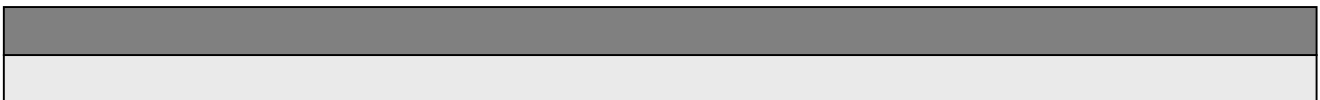
1. This Parts Catalog is the 1st edition of 3TN78L-DWWCH Diesel Engine for WAKITA PRECISION.

Pub. No. : 000Y00D3921

Published : August, 1991

2. Model name

Engine model	Vehicle		Vehicle made by
	Products	Model name	
3TN78L-DWWCH	—	—	WAKITA PRECISION



Directions for the Parts Catalog.

1. This Parts Catalog shows both standard and optional parts.
2. Parts may change without prior notice.
3. The following is an example of the Parts Catalog format.

REF.	LEV.	PARTS NO.	DESCRIPTION	Q'TY						I	R
				(A)	(B)	(C)	(D)	(E)	(F)		
1	1	729595-51390	FUEL INJECTION PUMP	1	1	1	1	1			1
1-1	1	729595-51391	FUEL INJECTION PUMP	1	1	1	1	1		N	1
		(A=E00185) (B=E00200)									
3	2	26022-060162	SCREW M 6X 16	9	9	9	9	9			
3-1	2	26022-060162	SCREW M 6X 16	4	4	4	4	4		K	
		(A=E00156) (B=E00156) (C=E00156) (D=E00156) (E=E00156)									
4	2	129470-51040	CAMSHAFT	1	1	1	1	1			
5	2	122710-51050	BEARING, ROLLER	2	2	2	2	2			
6	2	129470-51060	RETAINER	1	1	1	1	1			

Remarks
(1) BOOST COMPEMSATOR TYPE. OPTIONAL PART, TO E00155,(4JH-DT, 4JH-DTZ

① Ref. No.

The Ref. No. listed may not be in accordance with the illustration Ref. No.

(Ex.) Illustration No.

List Ref No.

1

1

(Before change)

1-1

(After change)

For interchangeable symbols N, R and K, illustrations for new parts may be abbreviated.

② Lev. (Level)

Level indication

The numbers below indicate the level of relativity towards the main part.

1 ----- Main parts (Assembly parts)

2 ----- Sub component included in " 1 ".

3 ----- Sub component included in " 2 ".

Note) Parts that are not for sale are partially illustrated but not listed.

③ Interchangeability Symbol

When a part change takes place, one of the following interchangeability symbols is indicated beside the part.

Symbol	Interchangeability	Contents note
N	Old $\begin{matrix} \leftarrow \text{Yes} \\ \text{No} \rightarrow \end{matrix}$ New	New Part is interchangeable for Old Part but Old Part is not interchangeable for New Part.
Q	Old $\begin{matrix} \leftarrow \text{No} \\ \text{Yes} \rightarrow \end{matrix}$ New	New Part is not interchangeable for Old Part but Old Part is interchangeable for New Part.
R	Old $\begin{matrix} \leftarrow \text{Yes} \\ \text{Yes} \rightarrow \end{matrix}$ New	New/ Old Parts are both interchangeable.
S	Old $\begin{matrix} \leftarrow \text{No} \\ \text{No} \rightarrow \end{matrix}$ New	New/ Old Parts are both not interchangeable.
W		Part newly added.
Z		Part discontinued.
F		Not interchangeable by a single part but interchangeable together with related parts.
K		Changes only for used parts quantities.

④ Effective Machine No.

When a part changes, the effective Machine No. will be indicated in the (A)-(F) column.

Product Symbol	Product No.	Product Symbol	Product No.
C	Clutch No. Compressor No.	F	Machine No. (Agricultural Equip.)
D	Drive No.	M	Machine No.
E	Engine No.		

Note 1) A date may follow the symbol. (Ex.) 1996.01

Note 2) "XXXXX" and "ZZZZZ" are for parts that could not be predicted or for engine models that could not be identified.

Note 3) (A=E00185) is the E (Engine Serial Number) for the column (A) model (in this case 4JH-DT) after the parts design change.

⑤ Remarks

Figures or alphabets (symbols) are entered in the remarks column.

The comments (remarks) on parts that are indicated at the bottom of the illustration are the same symbols as those stated above.

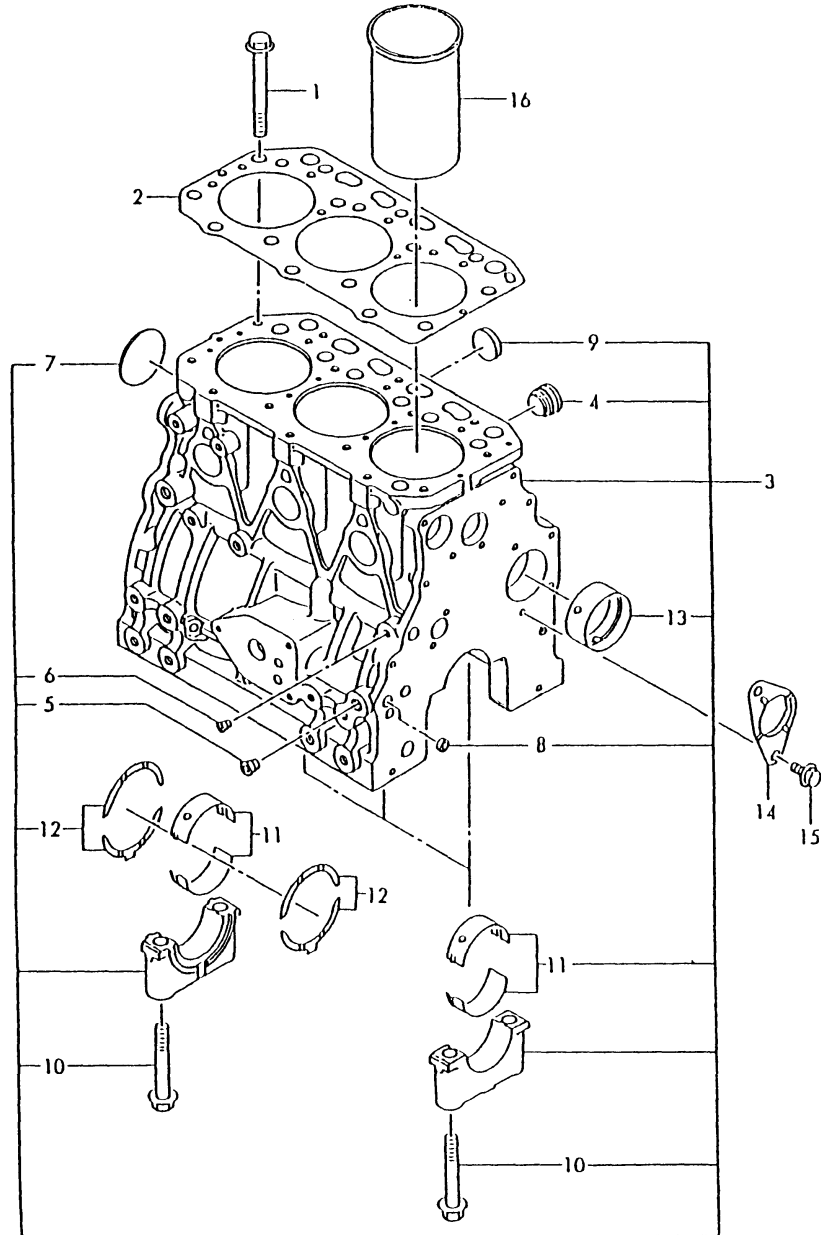
Contents

Fig. No.	Fig. Name
ENGINE 3TN78L-DWWCH	
1.	CYLINDER BLOCK
2.	GEARS HOUSING
3.	FLYWHEEL HOUSING
4.	LUB.OIL SUMP
5.	OIL SEAL HOUSING
6.	TACHOMETER COVER
7.	MAIN BEARING
8.	BREATHER
9.	ENGINE LIFTER
10.	CYLINDER HEAD
11.	BONNET
12.	SUCTION MANIFOLD
13.	AIR CLEANER
14.	EXHAUST MANIFOLD
15.	CAMSHAFT
16.	CRANKSHAFT
17.	FLYWHEEL
18.	PISTON
19.	CONNECTING ROD
20.	IDLE GEAR
21.	FUEL FEED PUMP GEAR
22.	LUB. OIL PUMP
23.	LUB.OIL DIPSTICK
24.	LUB.OIL SUCTION PIPE

Fig. No.	Fig. Name
25.	LUB. OIL STRAINER
26.	LUB. OIL PIPES
27.	COOLING WATER PUMP
28.	COOLING FAN PULLEY
29.	THERMOSTAT
30.	COOLING WATER PIPES
31.	FUEL INJECTION PUMP
32.	FUEL FEED PUMP
33.	FUEL INJECTION VALVE
34.	FUEL STRAINER
35.	FUEL INJECTION PIPES
36.	FUEL PIPES
37.	FUEL RETURN PIPE
38.	GOVERNOR
39.	STARTING MOTOR(COMPONENT PARTS)
40.	GENERATOR(COMPONENT PARTS)
41.	AIR HEATER
42.	ELECTRIC PARTS
43.	TOOLS

Fig.1. CYLINDER BLOCK

029103-01100
 029150-02100
 029150-02200



(A)=3TN78L-DWWCH

(B)=

(C)=

(D)=

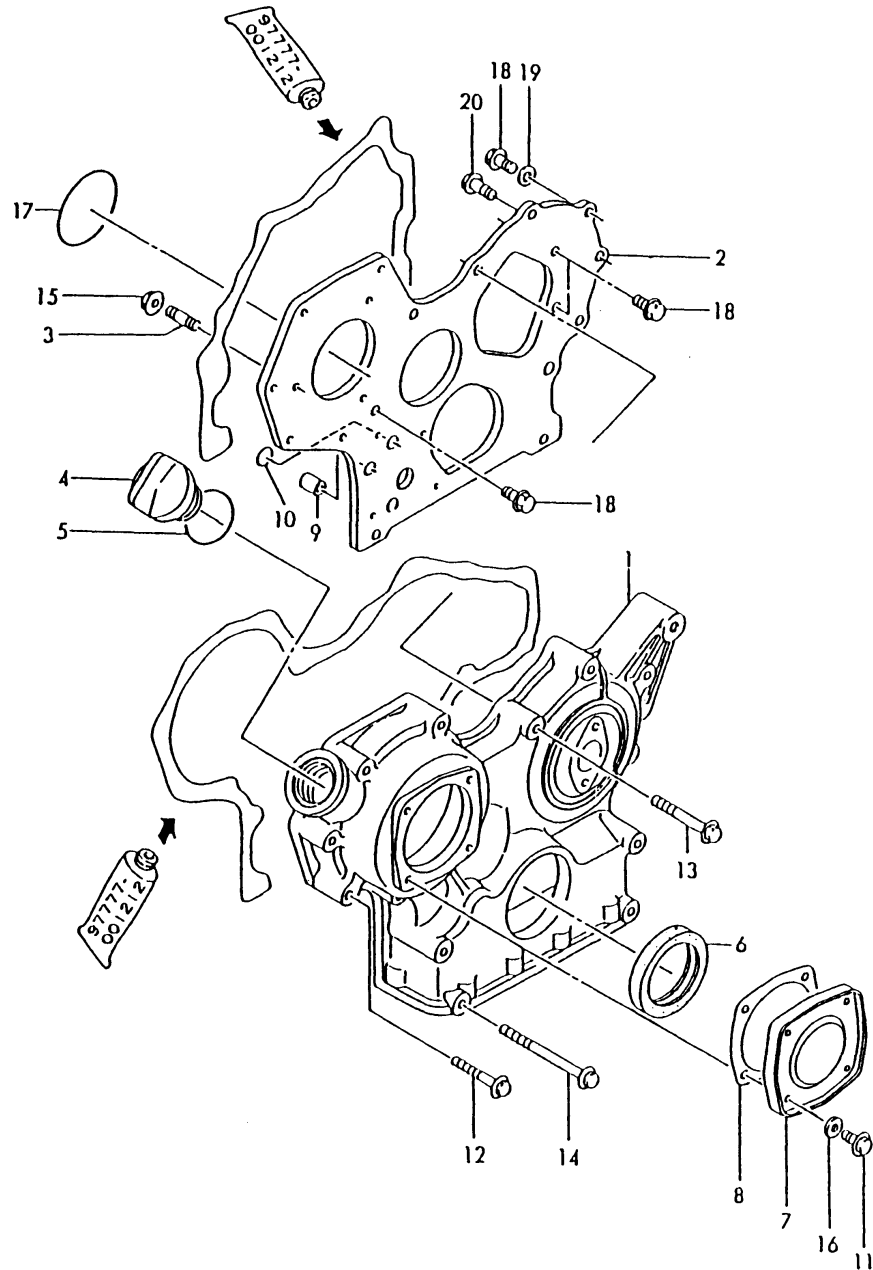
(E)=

(F)=

No.	Lev.	Parts No.	Description	Q'ty						I	R
				(A)	(B)	(C)	(D)	(E)	(F)		
1	1	129150-01200	BOLT, HEAD	14							
2	1	129103-01320	GASKET, HEAD T=1.4	1							
3	1	729103-01560	BLOCK ASSY, CYLINDER	1							W
3A	2	129103-01000	BLOCK ASSY, CYLINDER	1							
		(A=EXXX)									
4	3	171051-01921	PLUG, NPTF1	1							
5	3	124160-01910	PLUG, PT1/4	3							
6	3	23871-010000	PLUG, R01	1							
7	3	27233-500000	PLUG, 50	1							
7-1	3	27231-500000	PLUG 50	1							N
		(A=EXXX)									
8	3	27243-120000	PLUG 12	2							
8-1	3	27241-120000	PLUG, 12	2							N
		(A=EXXX)									
9	3	27243-300000	PLUG, 30	6							
9-1	3	27241-300000	PLUG 30	6							N
		(A=EXXX)									
10	2	129150-02020	BOLT, METAL CAP	8							
11	2	729150-02800	BEARING, MAIN	4							
11-1	2	129150-02800	BEARING, MAIN	4							N
		(A=EXXX)									
12	2	729150-02930	BEARING, THRUST	2							
12-1	2	129150-02930	BEARING, THRUST	2							N
		(A=EXXX)									
13	2	129795-02411	BUSH, CAMSHAFT	1							
14	1	129150-02450	BEARING, THRUST	1							
15	1	26106-080162	BOLT, M8X 16 PLATED	2							
16	1	129100-01100	LINER, CYLINDER	3							

Fig.2. GEARS HOUSING

D29400-01210



(A)=3TN78L-DWWCH
(B)=
(C)=

(D)=
(E)=
(F)=

No.	Lev.	Parts No.	Description	Q'ty						I	R
				(A)	(B)	(C)	(D)	(E)	(F)		
1	1	129400-01500	CASE, GEAR	1							
2	1	129400-01520	FLANGE, GEAR CASE	1							
3	1	121450-01560	STUD, M8X22	3							
4	1	124160-01751	COVER, FILLER	1							
5	1	24311-000320	O-RING, 1AP32.0	1							
6	1	129795-01800	SEAL, OIL	1							
7	1	124240-01871	COVER	1							
8	1	124240-01882	GASKET	1							
8-1	1	124240-01883	GASKET	1							N
(A=*1990.01)											
9	1	129795-01950	PIPE, KNOCK L=18	2							
10	1	24311-000160	O-RING, 1AP16.0	2							
11	1	26106-080122	BOLT, M8X 12 PLATED	4							
12	1	26106-080452	BOLT, M8X 45 PLATED	6							
13	1	26106-080552	BOLT, M8X 55 PLATED	3							
14	1	26106-080852	BOLT, M8X 85 PLATED	4							
15	1	26366-080002	NUT, M8	3							
16	1	43400-500410	SEAL WASHER 8S	4							
17	1	121850-51960	O-RING	1							
18	1	26106-080162	BOLT, M8X 16 PLATED	4							
19	1	43400-500410	SEAL WASHER 8S	1							
20	1	26106-080202	BOLT, M8X 20 PLATED	2							

Fig.3. FLYWHEEL HOUSING

029100-01310

(A)=3TN78L-DWWCH

(B)=

(C)=

(D)=

(E)=

(F)=

No.	Lev.	Parts No.	Description	Q'ty						I	R
				(A)	(B)	(C)	(D)	(E)	(F)		
1	1	171301-01600	HOUSING, FLYWHEEL	1							
2	1	22312-080160	PIN, PARALLEL M8X16	2							
2-1	1	129100-01580	PIN, M8X16	2							N
(A=*1986.12)											
3	1	26206-100252	BOLT, M10X 25 PLATED	6							
4	1	160110-01870	PLUG, RUBBER	1							
4-1	1	119620-01750	CAP	1							S
(A=*1985.07)											
5	1	26206-100302	BOLT, M10X 30 PLATED	2							
5-1	1	26206-100302	BOLT, M10X 30 PLATED	4							K
(A=*1985.07)											

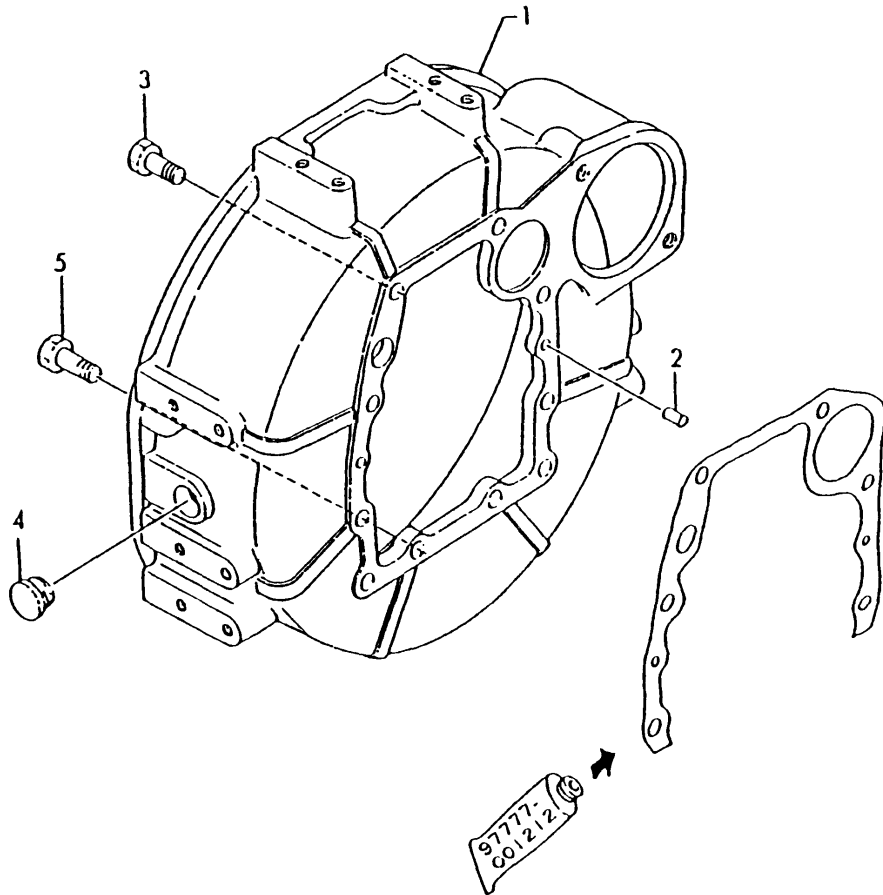


Fig.4. LUB.OIL SUMP

D29100-01410

(A)=3TN78L-DWWCH

(B)=

(C)=

(D)=

(E)=

(F)=

No.	Lev.	Parts No.	Description	Q'ty						I	R
				(A)	(B)	(C)	(D)	(E)	(F)		
1	1	771341-01540	SUMP ASSY, OIL	1							
1-1	1	129100-01770	SUMP ASSY, OIL	1							N
(A=*1990.)											
2	2	171301-01640	PLUG, 22	1							
3	2	24341-000250	O-RING, 1AS25.0	1							
3-1	2	24341-000240	O-RING, 1AS24.0	1							S
(A=*1986.03)											
3A	2	129100-01790	RETAINER	2							W
(A=*1985.04)											
4	1	129100-01730	SPACER, OIL SUMP	1							
5	1	26106-080252	BOLT, M8X 25 PLATED	2							
6	1	26106-080162	BOLT, M8X 16 PLATED	4							
7	1	26106-080452	BOLT, M8X 45 PLATED	16							
8	1	26106-080502	BOLT, M8X 50 PLATED	4							

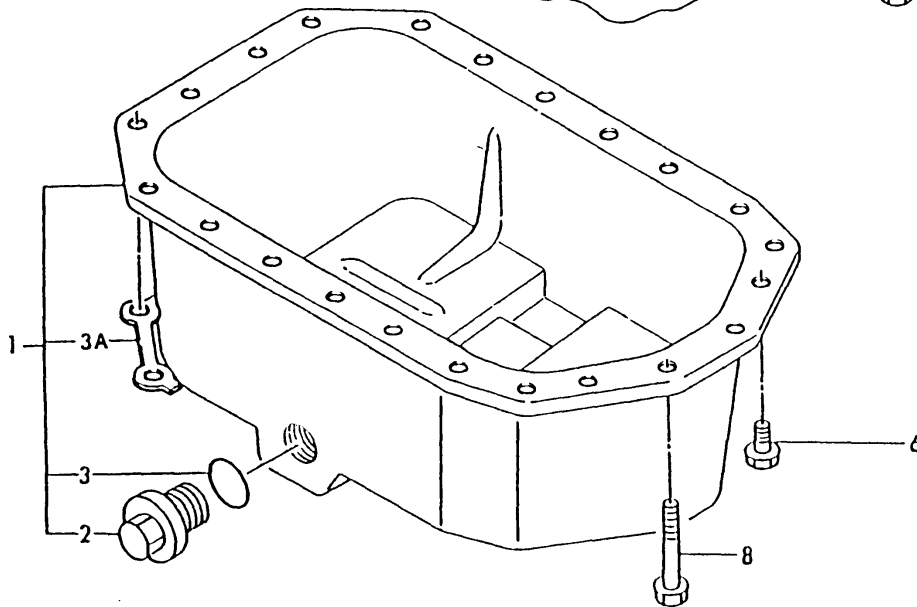
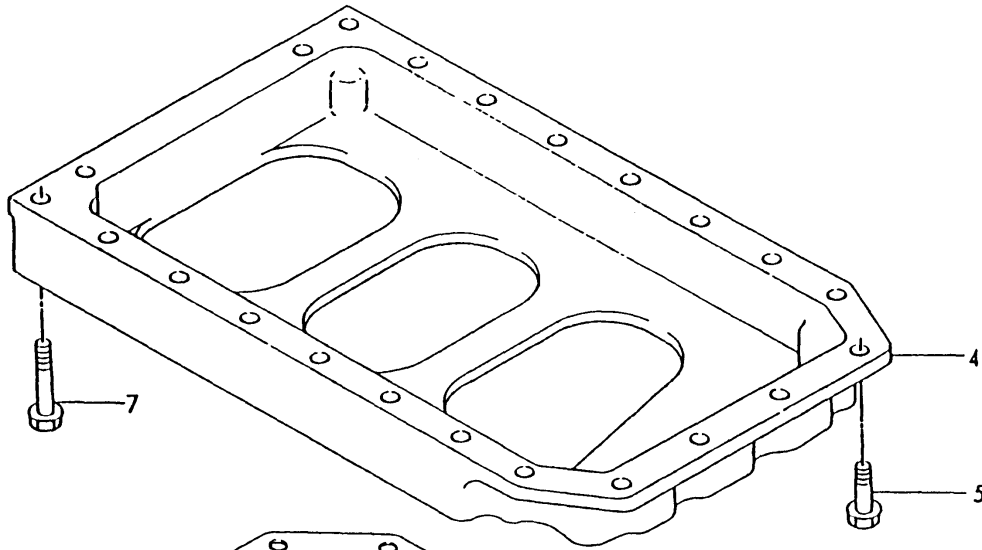


Fig.5. OIL SEAL HOUSING

D29100-01510

(A)=3TN78L-DWWCH

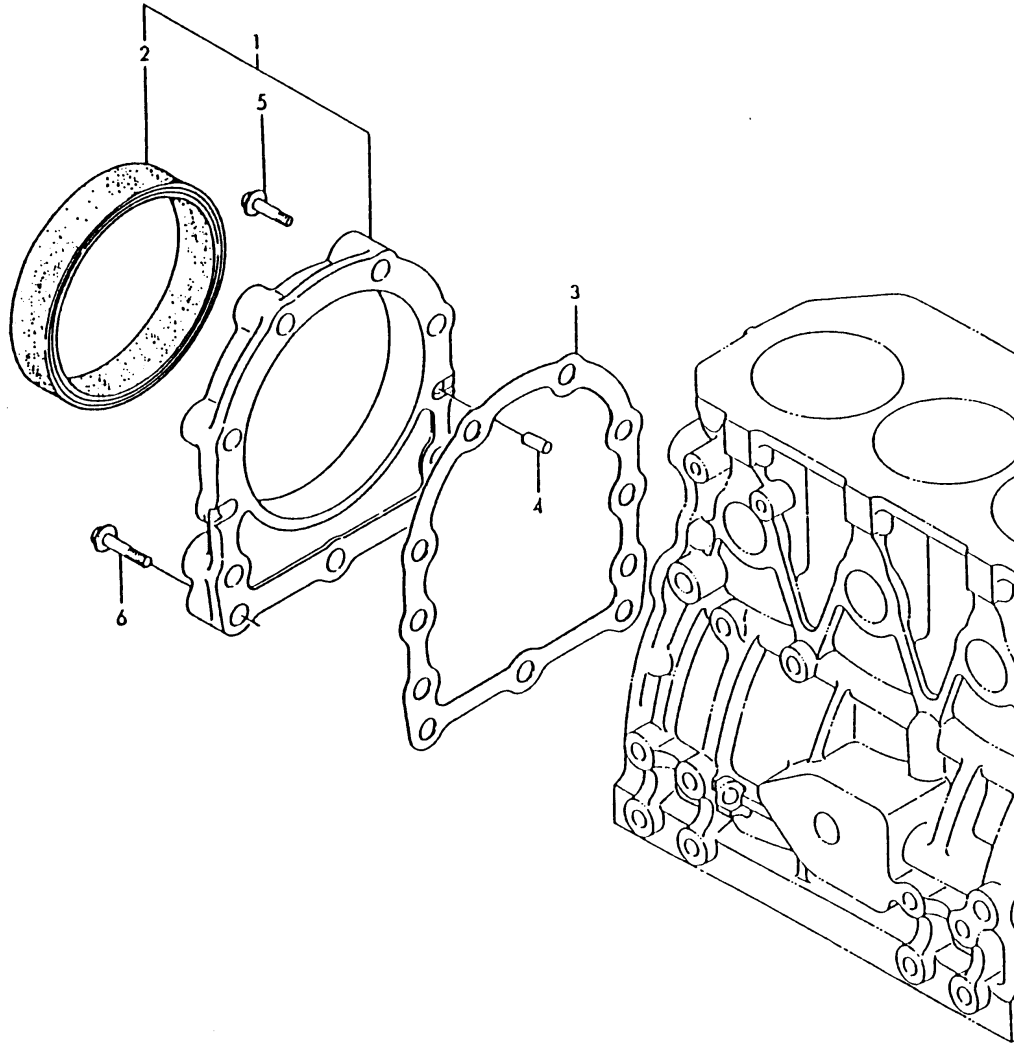
(B)=

(C)=

(D)=

(E)=

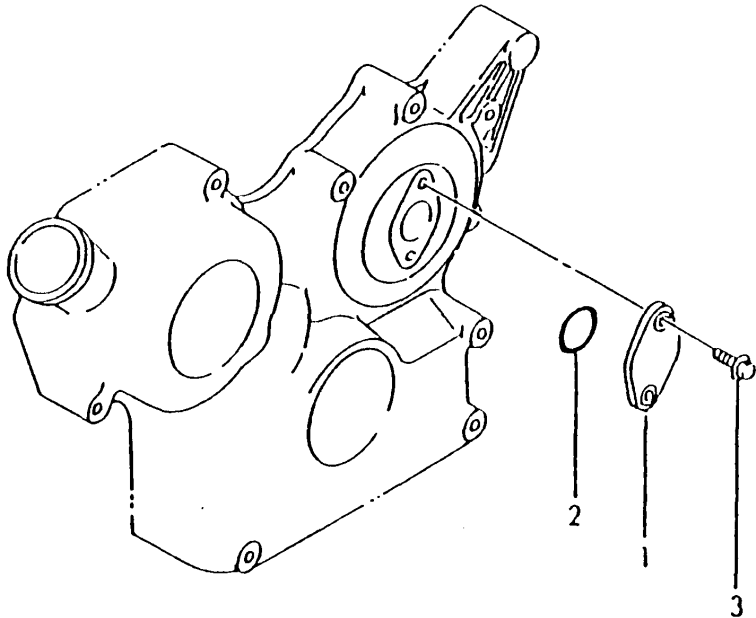
(F)=



No.	Lev.	Parts No.	Description	Q'ty						I	R	
				(A)	(B)	(C)	(D)	(E)	(F)			
1	1	129100-01640	CASE ASSY, OIL SEAL (A=*1990.05)	1							W	
2	2	129795-01780	SEAL, OIL	1								
3	1	129150-01660	GASKET (A=EXXX)	1							Z	
4	1	22312-080160	PIN, PARALLEL M8X16	2								
4-1	1	129100-01580	PIN, M8X16 (A=*1986.10)	2							N	
5	1	26106-080302	BOLT, M8X 30 PLATED	6								
6	1	26106-080352	BOLT, M8X 35 PLATED	3								

Fig.6. TACHOMETER COVER

029100-01810



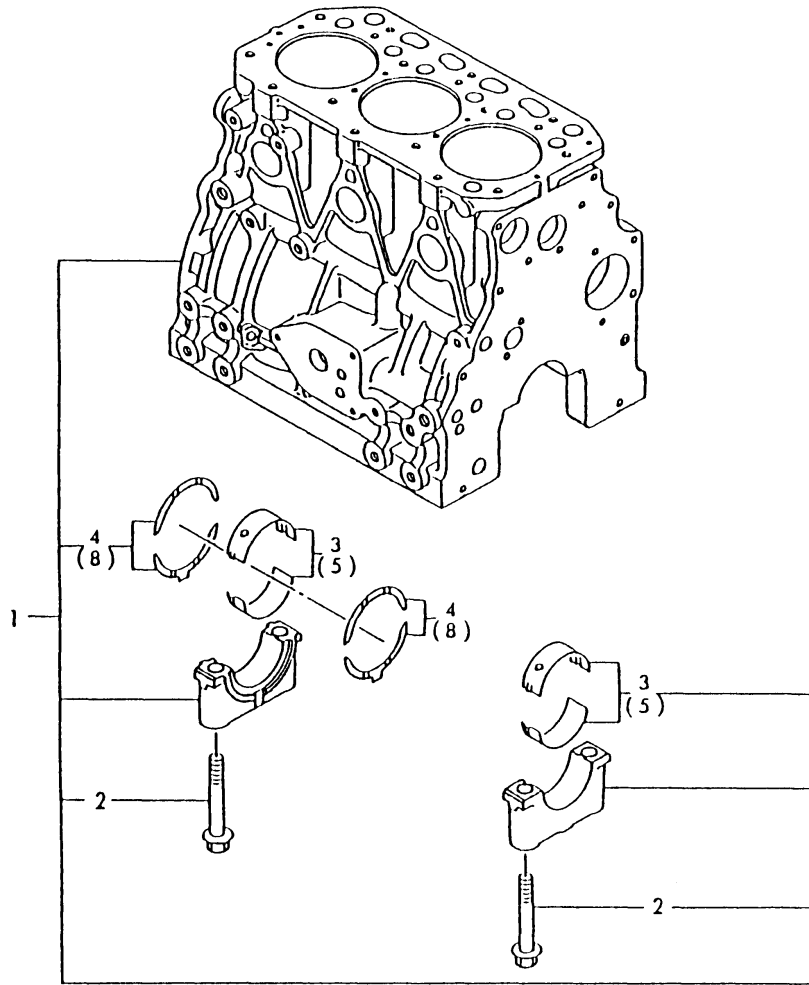
(A)=3TN78L-DWWCH
(B)=
(C)=

(D)=
(E)=
(F)=

No.	Lev.	Parts No.	Description	Q'ty						I	R
				(A)	(B)	(C)	(D)	(E)	(F)		
1	1	121023-01550	COVER	1							
2	1	24311-000260	O-RING, 1AP26.0	1							
2-1	1	24341-000240	O-RING, 1AS24.0	1							S
		(A=*1989.01)									
3	1	26106-060122	BOLT, M6X 12 PLATED	2							

Fig.7. MAIN BEARING

D29150-02100



(A)=3TN78L-DWWCH

(B)=

(C)=

(D)=

(E)=

(F)=

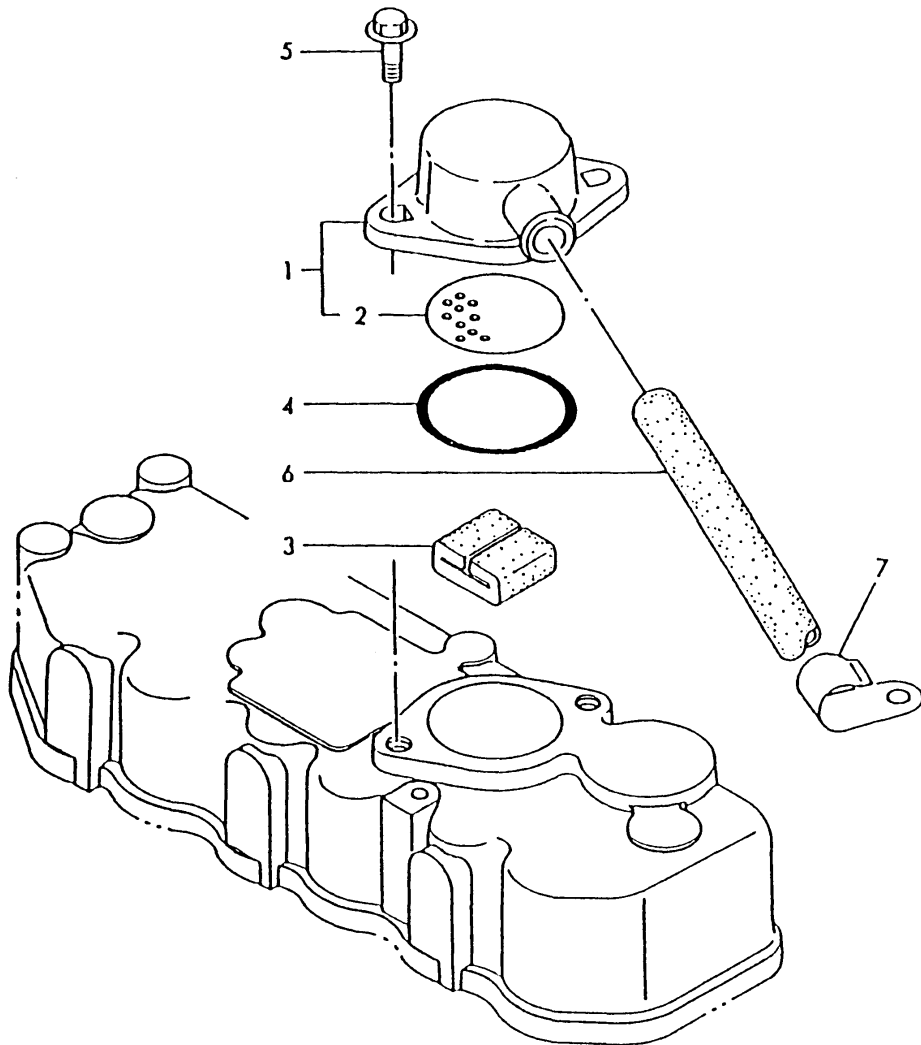
No.	Lev.	Parts No.	Description	Q'ty						I	R
				(A)	(B)	(C)	(D)	(E)	(F)		
1	1	729103-01560	BLOCK ASSY, CYLINDER	1							
2	2	129150-02020	BOLT, METAL CAP	8							
3	2	729150-02800	BEARING, MAIN	4							
3-1	2	129150-02800 (A=EXXX)	BEARING, MAIN	4							N
4	2	729150-02930	BEARING, THRUST	2							
4-1	2	129150-02930 (A=EXXX)	BEARING, THRUST	2							N
5	1	129150-02870	BEARING, 0.25 US	4							1
8	1	129150-02940	BEARING, THRUST 0.25	2							2

Remarks

- (1) UNDER-SIZE(U.S=0.25)PART.
- (2) OVER-SIZE(O.S=0.25)PART.

Fig.8. BREATHER

D29100-03100
U71350-03110



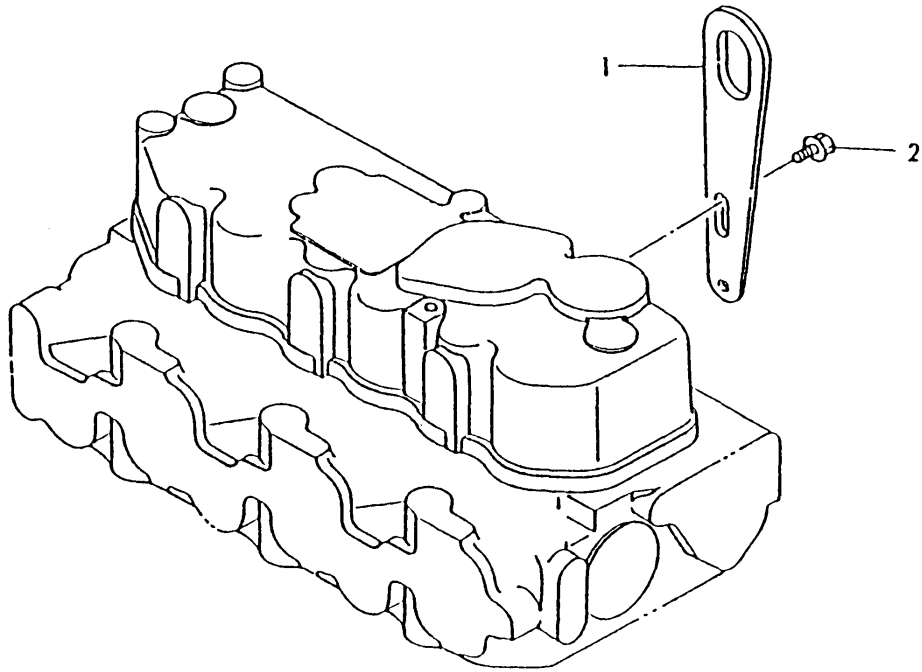
(A)=3TN78L-DWWCH
(B)=
(C)=

(D)=
(E)=
(F)=

No.	Lev.	Parts No.	Description	Q'ty						I	R
				(A)	(B)	(C)	(D)	(E)	(F)		
1	1	129150-03010	COVER ASSY	1							
2	2	129150-03080	PLATE, BAFFLE	1							
3	1	129150-03070	BAFFLE, BREATHER	1							
4	1	24341-000500	O-RING, 1A550.0	1							
5	1	26106-080162	BOLT, M8X 16 PLATED	2							
6	1	171350-03090	PIPE , BREATHER 900	1							
7	1	129150-03100	RETAINER, PIPE	1							

Fig.9. ENGINE LIFTER

021000-07300



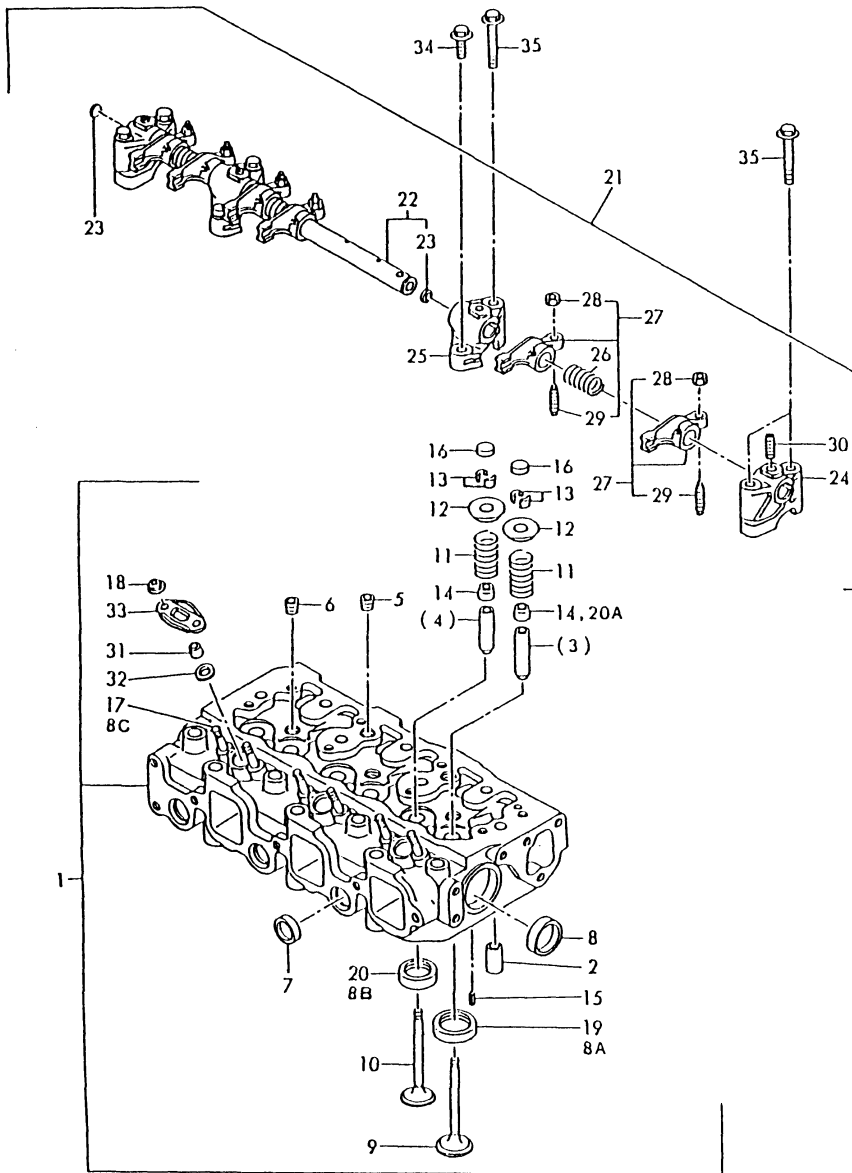
(A)=3TN78L-DWWCH
(B)=
(C)=

(D)=
(E)=
(F)=

No.	Lev.	Parts No.	Description	Q'ty						I	R
				(A)	(B)	(C)	(D)	(E)	(F)		
1	1	124736-07900	LIFTER	2							
2	1	26106-080142	BOLT, M8X 14 PLATED	4							

Fig.10. CYLINDER HEAD

029103-11100



(A)=3TN78L-DWWCH

(B)=

(C)=

(D)=

(E)=

(F)=

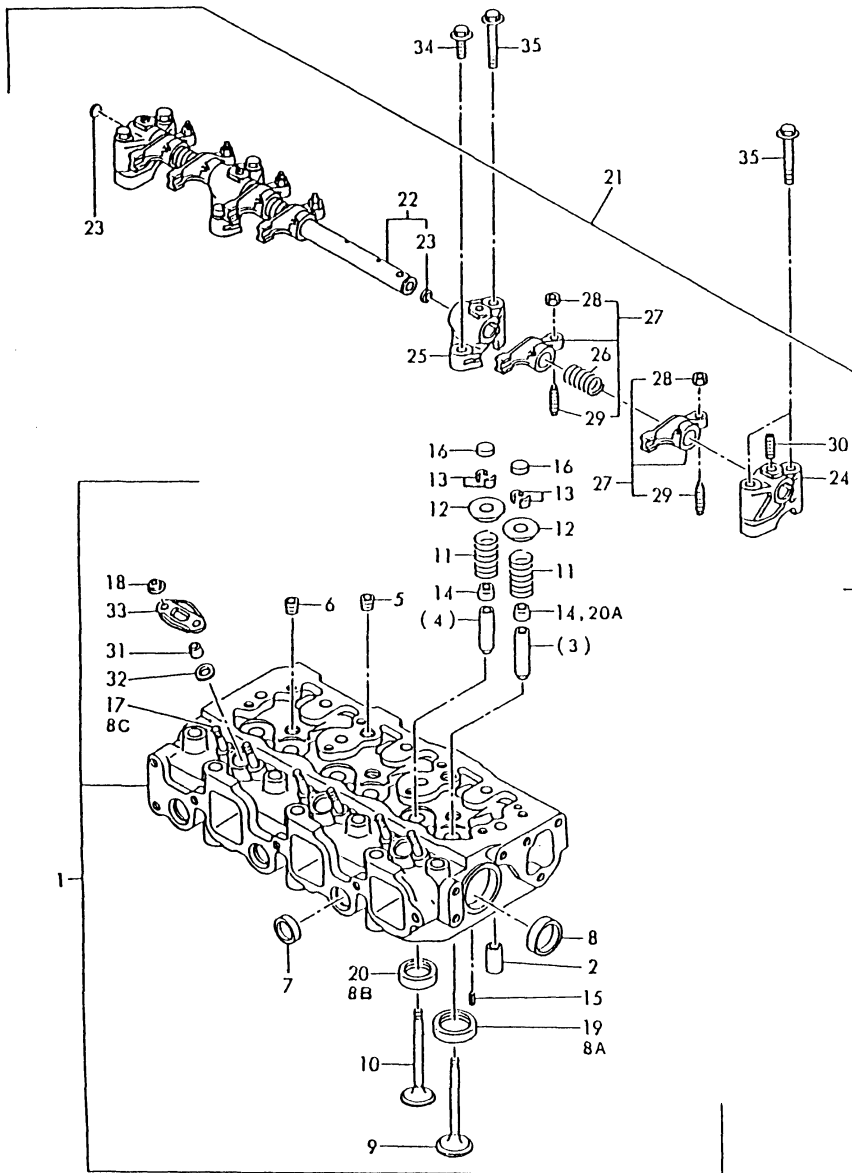
No.	Lev.	Parts No.	Description	Q'ty						I	R
				(A)	(B)	(C)	(D)	(E)	(F)		
1	1	729103-11700	HEAD ASSY, CYLINDER	1							
1A	2	129103-11000	HEAD ASSY, CYLINDER	1							W
		(A=EXXX)									
2	3	129150-11050	PIECE	3							
3	3	120130-11860	GUIDE, VALVE	3							1
4	3	129150-11810	GUIDE, VALVE	3							1
5	3	121850-11860	PLUG, PT1/4	2							
6	3	23871-030000	PLUG, R03	3							
7	3	27241-220000	PLUG, 22	3							
8	3	27241-400000	PLUG, 40	2							
8A	3	129470-11080	SEAT, INTAKE VALVE	3							W
		(A=EXXX)									
8B	3	129470-11090	SEAT, EXHAUST VALVE	3							W
		(A=EXXX)									
8C	3	26216-060202	STUD, M6X 20	6							W
		(A=EXXX)									
9	2	129100-11100	VALVE, INTAKE	3							
10	2	129100-11130	VALVE, EXHAUST	3							
11	2	129795-11120	SPRING, VALVE	6							
12	2	129795-11180	RETAINER, SPRING	6							
13	2	103338-11190	COTTER	6							
13-1	2	27310-080001	COTTER, 8	6							R
		(A=EXXXXX)									
14	2	121400-11340	SEAL, VALVE STEM	6							
14-1	2	121400-11340	SEAL, VALVE STEM	3							K
		(A=*1986.02)									
15	2	22351-060012	PIN, SPRING 6.0X12	2							
16	2	104511-11370	CAP, VALVE	6							
16-1	2	129150-11370	CAP, VALVE	6							R
		(A=*1985.06)									
17	2	26216-060202	STUD, M6X 20	6							Z
		(A=EXXX)									
18	2	26367-060002	NUT, M6	6							
18-1	2	26366-060002	NUT, M6	6							N
		(A=*1985.08)									
19	2	129470-11080	SEAT, INTAKE VALVE	3							Z
		(A=EXXX)									
20	2	129470-11090	SEAT, EXHAUST VALVE	3							Z
		(A=EXXX)									
20A	2	124460-11340	SEAL, VALVE STEM	3							W
		(A=*1986.02)									
21	1	129155-11241	SHAFT ASSY, ROCKER	1							
22	2	129150-11290	SHAFT, ROCKER ARM	1							
23	3	27241-100000	PLUG, 10	2							
24	2	129155-11260	SUPPORT, ROCKER ARM	2							
25	2	129155-11270	SUPPORT, ROCKER ARM	2							
26	2	129150-11280	SPRING	3							
27	2	729150-11651	ARM ASSY, ROCKER	6							
27-1	2	729402-11650	ARM ASSY, ROCKER	6							N
		(A=*1990.05)									
28	3	129150-11750	NUT, M8	6							

Remarks

(1) REPAIR PART.

Fig.10. CYLINDER HEAD

029103-11100



(A)=3TN78L-DWWCH

(B)=

(C)=

(D)=

(E)=

(F)=

No.	Lev.	Parts No.	Description	Q'ty						I	R
				(A)	(B)	(C)	(D)	(E)	(F)		
29	3	129150-11230	SCREW, VALVE ADJUST	6							
30	2	26226-080182	STUD, M8X 18	3							
31	1	119625-11870	PROTECTOR, NOZZLE	3							
32	1	119625-11880	SEAT, NOZZLE	3							
33	1	119625-11900	RETAINER, NOZZLE	3							
34	1	26106-080252	BOLT, M8X 25 PLATED	2							
35	1	26106-080502	BOLT, M8X 50 PLATED	6							

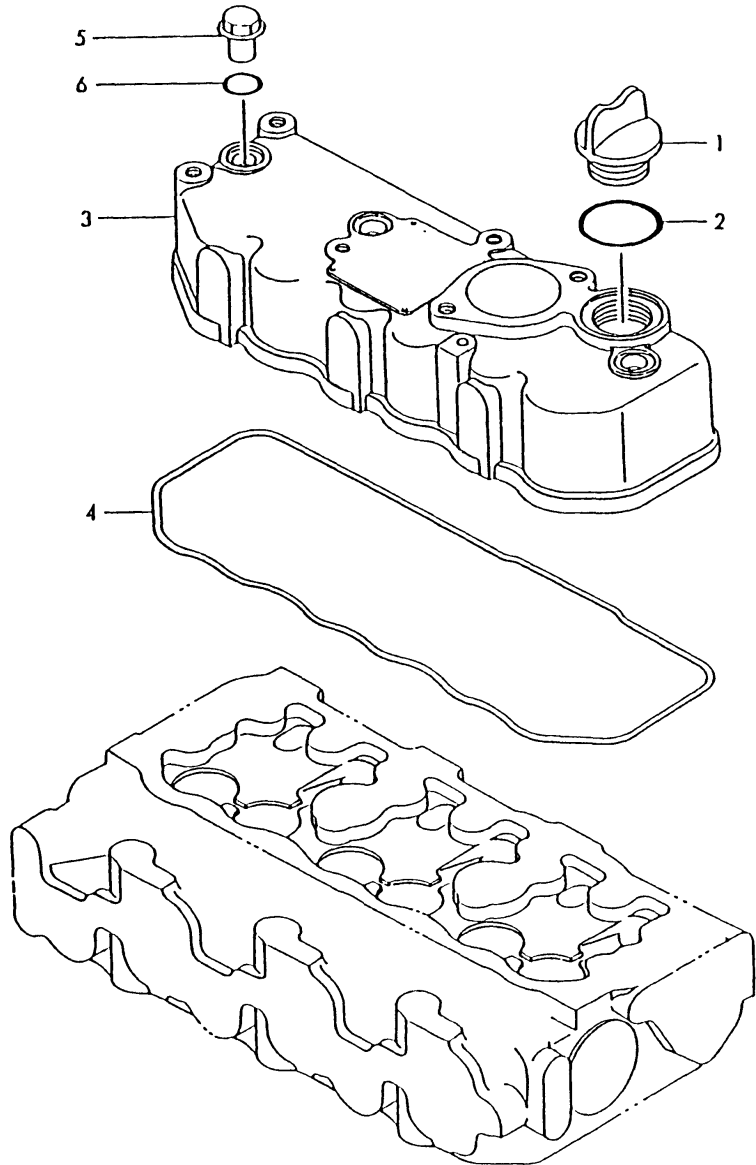
Remarks

(1) REPAIR PART.

N:Old $\xrightarrow{\text{Yes}}$ New, Q:Old $\xrightarrow{\text{No}}$ New, R:Old $\xrightarrow{\text{Yes}}$ New, S:Old $\xrightarrow{\text{No}}$ New, W:Add, Z:Discontinued, F:Interchangeable by set, K:Q'ty Change

Fig.11. BONNET

029100-11200



(A)=3TN78L-DWWCH

(B)=

(C)=

(D)=

(E)=

(F)=

No.	Lev.	Parts No.	Description	Q'ty						I	R
				(A)	(B)	(C)	(D)	(E)	(F)		
1	1	124160-01751	COVER, FILLER	1							
2	1	121420-01760	O-RING	1							
2-1	1	24311-000320	O-RING, 1AP32.0	1							N
(A=*1988.05)											
3	1	129100-11300	BONNET	1							
4	1	129150-11310	GASKET, BONNET	1							
5	1	124160-11360	KNOB	3							
6	1	24311-000120	O-RING, 1AP12.0	3							

Fig.12. SUCTION MANIFOLD

D29150-12200

(A)=3TN78L-DWWCH

(B)=

(C)=

(D)=

(E)=

(F)=

No.	Lev.	Parts No.	Description	Q'ty						I	R
				(A)	(B)	(C)	(D)	(E)	(F)		
1	1	129150-12100	MANIFOLD, AIR INTAKE	1							
2	1	129150-12110	GASKET, MANIFOLD	1							
2-1	1	129150-12111	GASKET, MANIFOLD	1							N
		(A=*1990.06)									
3	1	26106-080252	BOLT, M8X 25 PLATED	4							

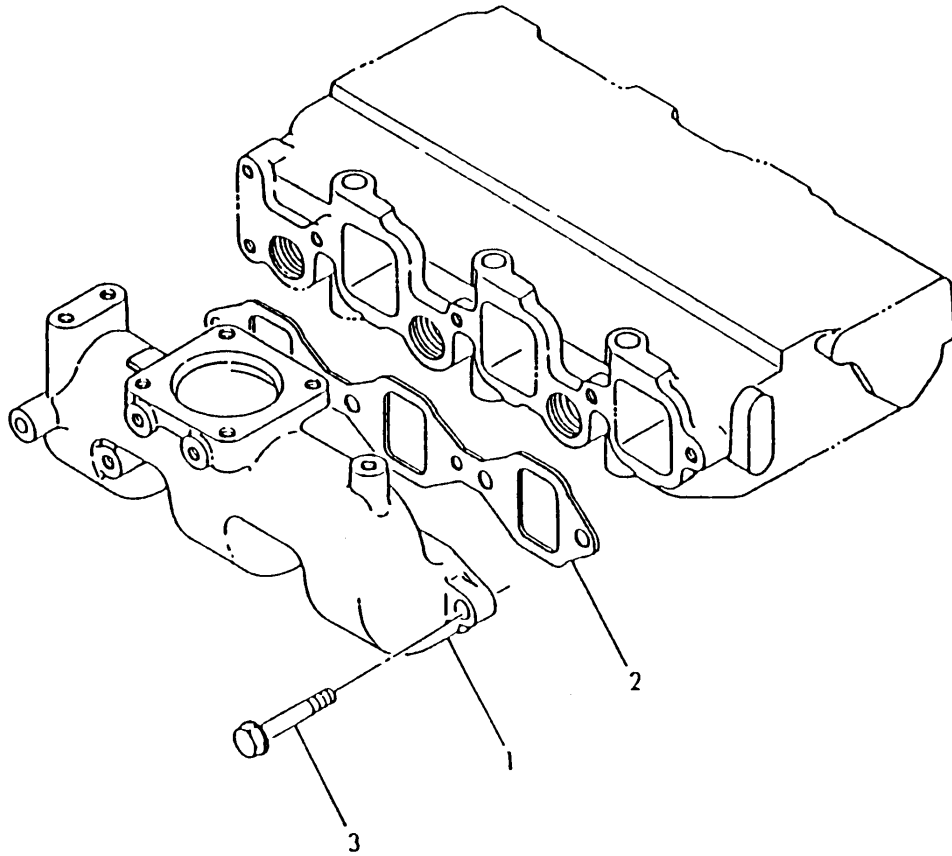
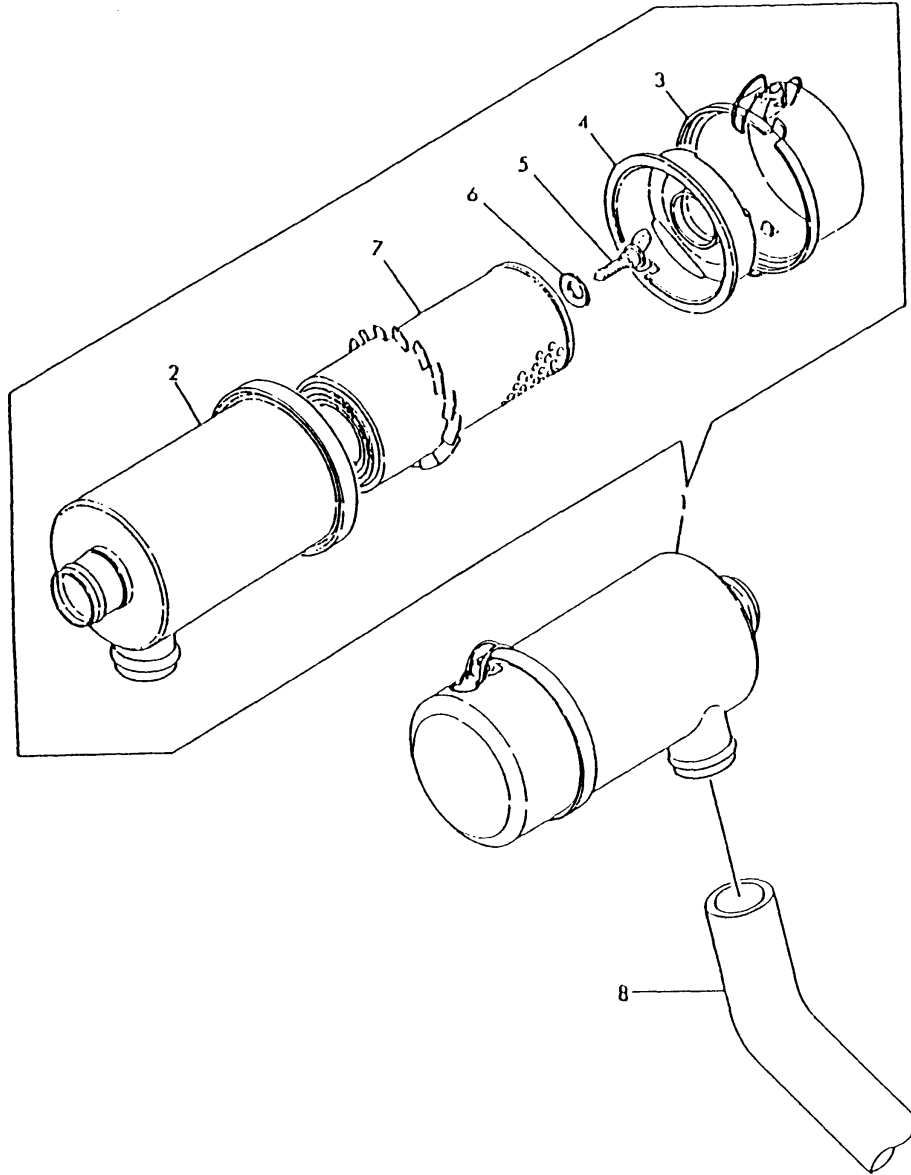


Fig.13. AIR CLEANER

U71341-93100



(A)=3TN78L-DWWCH
(B)=
(C)=

(D)=
(E)=
(F)=

No.	Lev.	Parts No.	Description	Q'ty						I	R
				(A)	(B)	(C)	(D)	(E)	(F)		
1	1	121252-12501	CLEANER ASSY, AIR	1							
2	2	121252-12521	BODY, AIR CLEANER	1							
3	2	121120-12531	PAN, DUST	1							
4	2	121120-12541	RETAINER, ELEMENT	1							
5	2	121120-12561	BOLT	1							
6	2	121120-12571	WASHER, SEAL	1							
7	2	121120-12901	ELEMENT	1							
8	1	171016-12590	PIPE, EXTENSION	1							

Fig.14. EXHAUST MANIFOLD

D29100-13100
U71341-93100

(A)=3TN78L-DWWCH

(B)=

(C)=

(D)=

(E)=

(F)=

No.	Lev.	Parts No.	Description	Q'ty						I	R
				(A)	(B)	(C)	(D)	(E)	(F)		
1	1	129100-13110	MANIFOLD, EXHAUST	1							
2	1	129150-13110	GASKET	1							
3	1	26106-080602	BOLT, M8X 60 PLATED	2							
3-1	1	26216-080802	STUD, M8X 80	2							S
(A=*1986.02)											
4	1	26106-080802	BOLT, M8X 80 PLATED	4							
5	1	26216-080222	STUD, M8X 22	4							
6	1	121000-13200	GASKET, SILENCER	1							
7	1	194990-22050	NUT, M8	2							W
(A=*1986.02)											

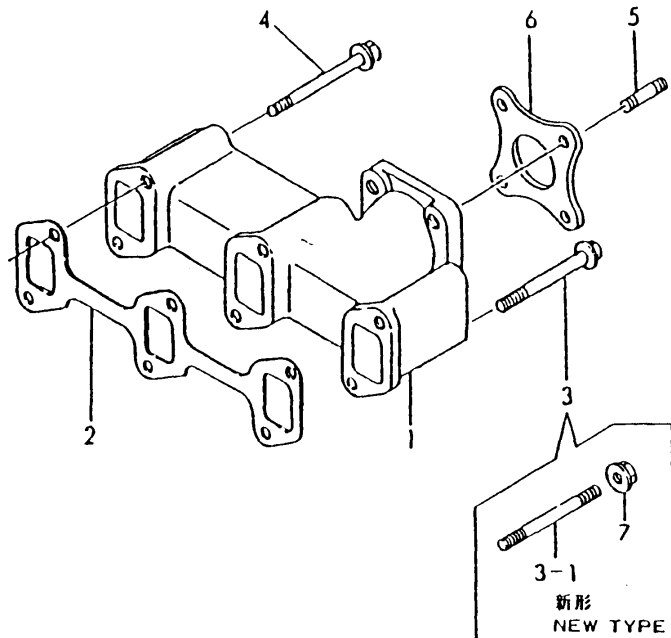
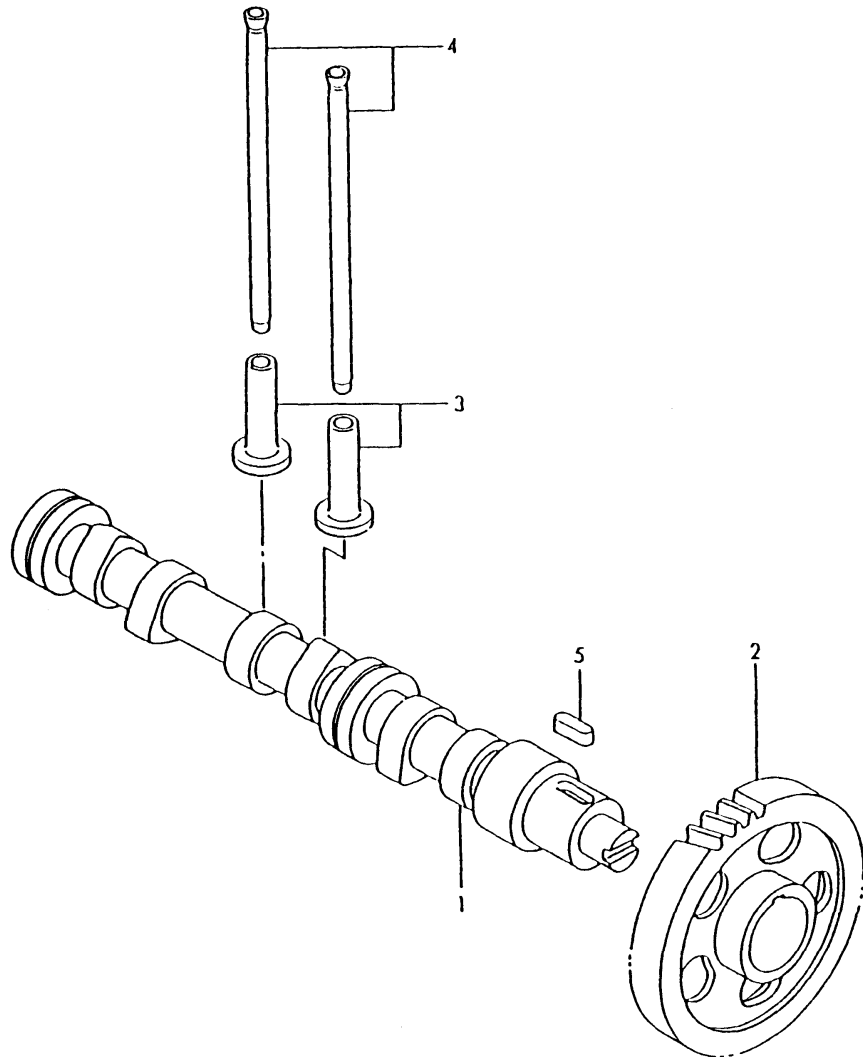


Fig.15. CAMSHAFT

029150-14100



(A)=3TN78L-DWWCH

(B)=

(C)=

(D)=

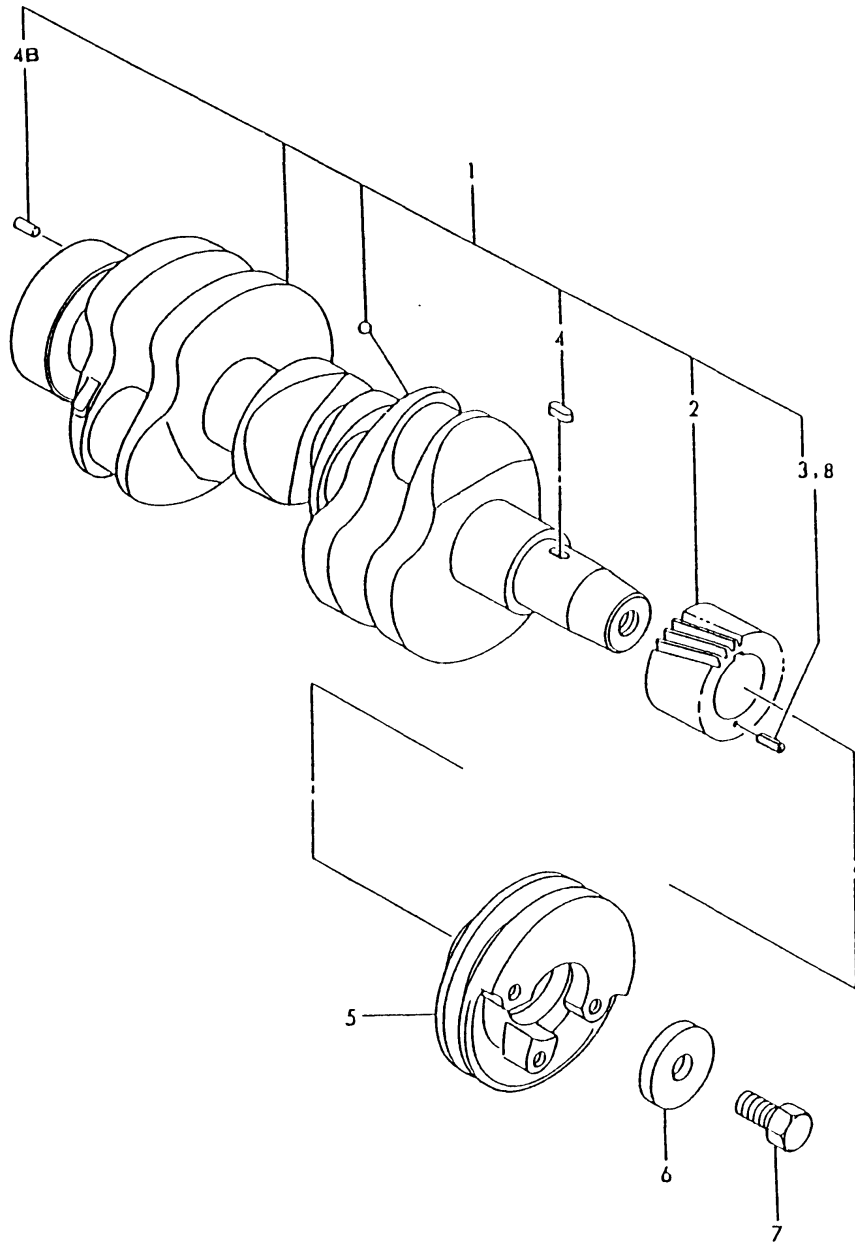
(E)=

(F)=

No.	Lev.	Parts No.	Description	Q'ty						I	R
				(A)	(B)	(C)	(D)	(E)	(F)		
1	1	129150-14010	CAMSHAFT	1							
1-1	1	129150-14011	CAMSHAFT	1							S
				(A=EXXX)							
2	1	129150-14100	GEAR, CAMSHAFT	1							
2-1	1	129150-14101	GEAR, CAMSHAFT	1							S
				(A=EXXX)							
3	1	129150-14200	TAPPET	6							
4	1	129150-14400	ROD, PUSH L=178	6							
5	1	22512-070140	KEY, 7X 14	1							

Fig.16. CRANKSHAFT

D29100-21100
D29100-21200



(A)=3TN78L-DWWCH

(B)=

(C)=

(D)=

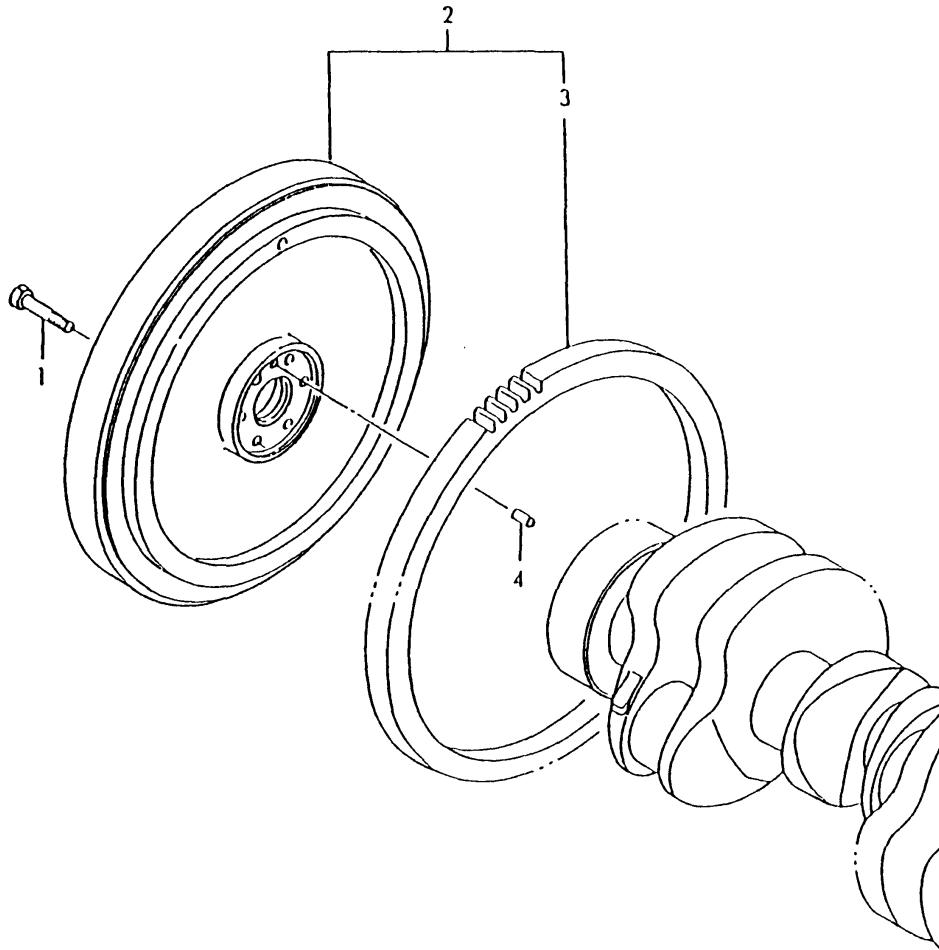
(E)=

(F)=

No.	Lev.	Parts No.	Description	Q'ty						I	R
				(A)	(B)	(C)	(D)	(E)	(F)		
1	1	729150-21700	CRANKSHAFT ASSY	1							
1-1	1	729102-21700	CRANKSHAFT ASSY	1							S
(A=*1988.09)											
2	2	129150-21200	GEAR, CRANKSHAFT	1							
3	2	22351-040010	PIN, SPRING 4.0X10	1							Z
(A=*1990.)											
4	2	22512-070140	KEY, 7X 14	1							
4B	2	129100-01580	PIN, M8X16	1							W
(A=*1990.)											
5	1	171340-21650	V-PULLEY	1							
6	1	129795-21661	WASHER	1							
7	1	121850-21680	BOLT	1							
8	1	22351-040010	PIN, SPRING 4.0X10	1							W
(A=*1990.)											

Fig.17. FLYWHEEL

029100-21300



(A)=3TN78L-DWWCH

(B)=

(C)=

(D)=

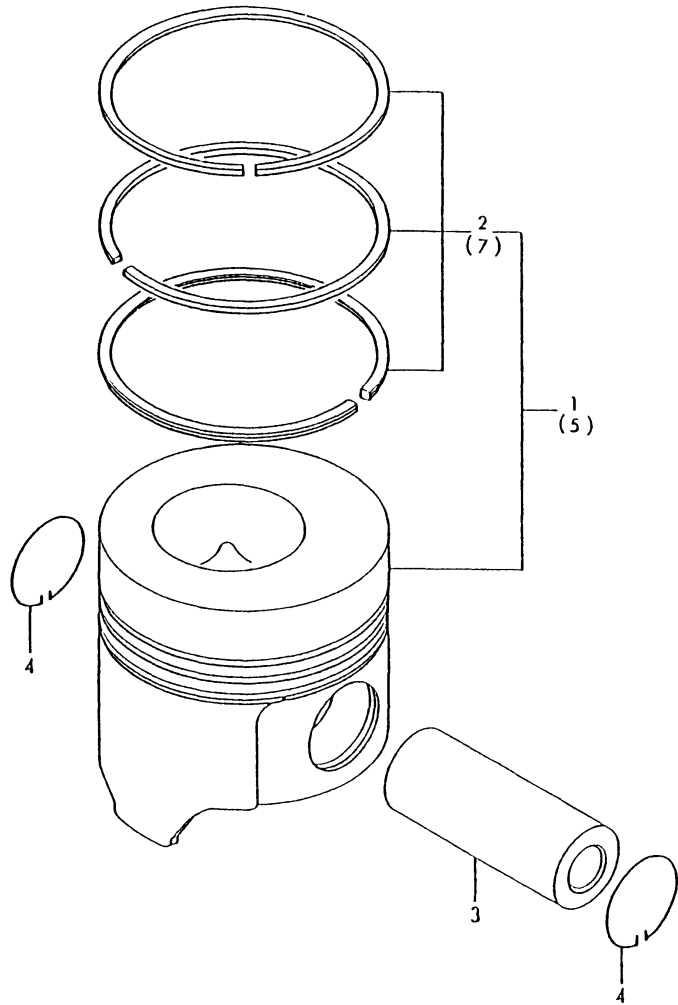
(E)=

(F)=

No.	Lev.	Parts No.	Description	Q'ty						I	R
				(A)	(B)	(C)	(D)	(E)	(F)		
1	1	121111-21501	BOLT, FLYWHEEL	6							
2	1	171340-21580	FLYWHEEL ASSY	1							
3	2	119865-21600	GEAR, RING	1							
4	1	22312-080160	PIN, PARALLEL M8X16	1							
4-1	1	129100-01580 (A=*1986.10)	PIN, M8X16	1							N
4-2	1	129100-01580 (A=*1990.)	PIN, M8X16	1							Z

Fig.18. PISTON

029403-22100



(A)=3TN78L-DWWCH

(B)=

(C)=

(D)=

(E)=

(F)=

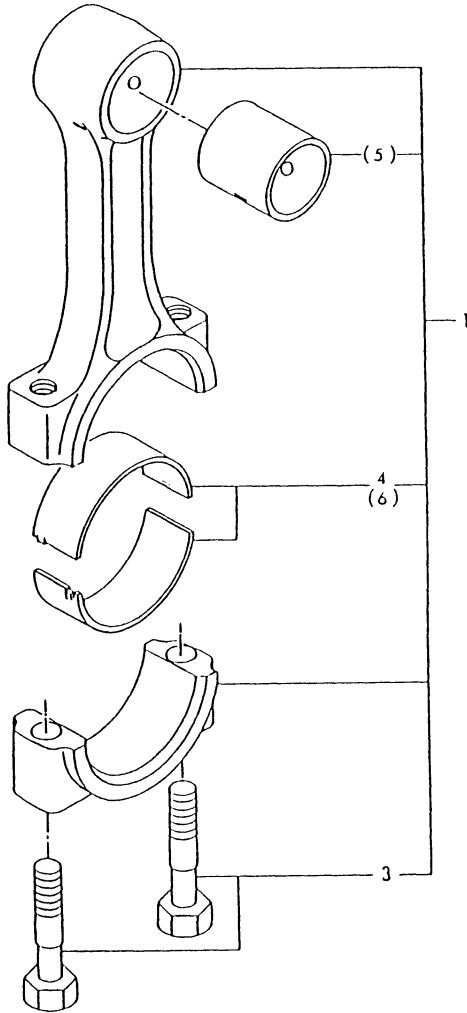
No.	Lev.	Parts No.	Description	Q'ty						I	R
				(A)	(B)	(C)	(D)	(E)	(F)		
1	1	129403-22090	PISTON ASSY	3							
2	2	729550-22500	RING SET, PISTON	3							
2-1	2	729403-22500	RING SET, PISTON	3							N
(A=*1990.04)											
3	1	129150-22300	PIN, PISTON D26 L66	3							
4	1	121100-22400	CIRCLIP	6							
5	1	729403-22900	PISTON ASSY, 0.25 OS	3							1
7	2	729550-22950	RING SET, 0.25 OS	3							1

Remarks

(1) OVER-SIZE(O.S=0.25)PART.

Fig.19. CONNECTING ROD

D29150-23100



Remarks
 (1) REPAIR PART.
 (2) UNDER-SIZE(U.S=0.25)PART.

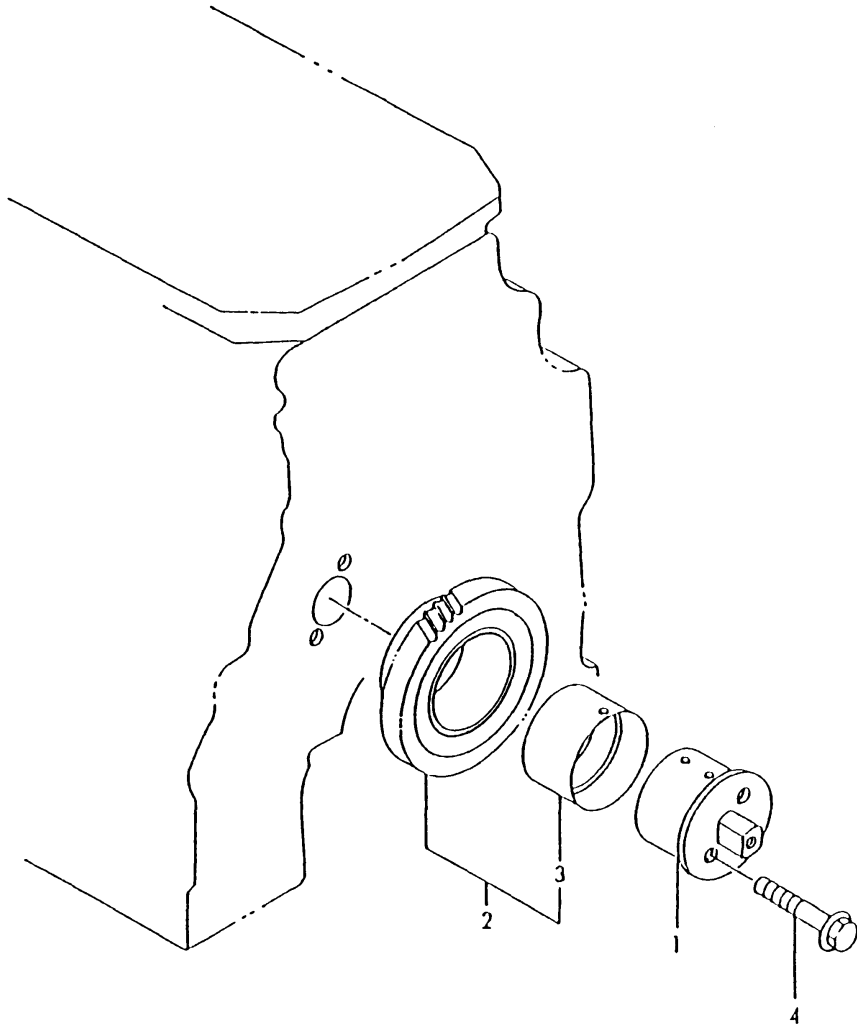
(A)=3TN78L-DWWCH
 (B)=
 (C)=

(D)=
 (E)=
 (F)=

No.	Lev.	Parts No.	Description	Q'ty						I	R
				(A)	(B)	(C)	(D)	(E)	(F)		
1	1	729150-23700	ROD ASSY, CONNECTING	3							
1-1	1	729402-23100	ROD ASSY, CONNECTING	3							N
(A=*1990.05)											
3	2	121550-23200	BOLT, CONNECTING ROD	6							
4	2	729150-23600	BEARING, CRANK PIN	3							
4-1	2	129150-23600	BEARING, CRANK PIN	3							N
(A=EXXX)											
5	1	129100-23910	BEARING, PISTON PIN	3							1
6	1	129150-23610	BEARING, 0.25 US	3							2

Fig.20. IDLE GEAR

D29100-25101



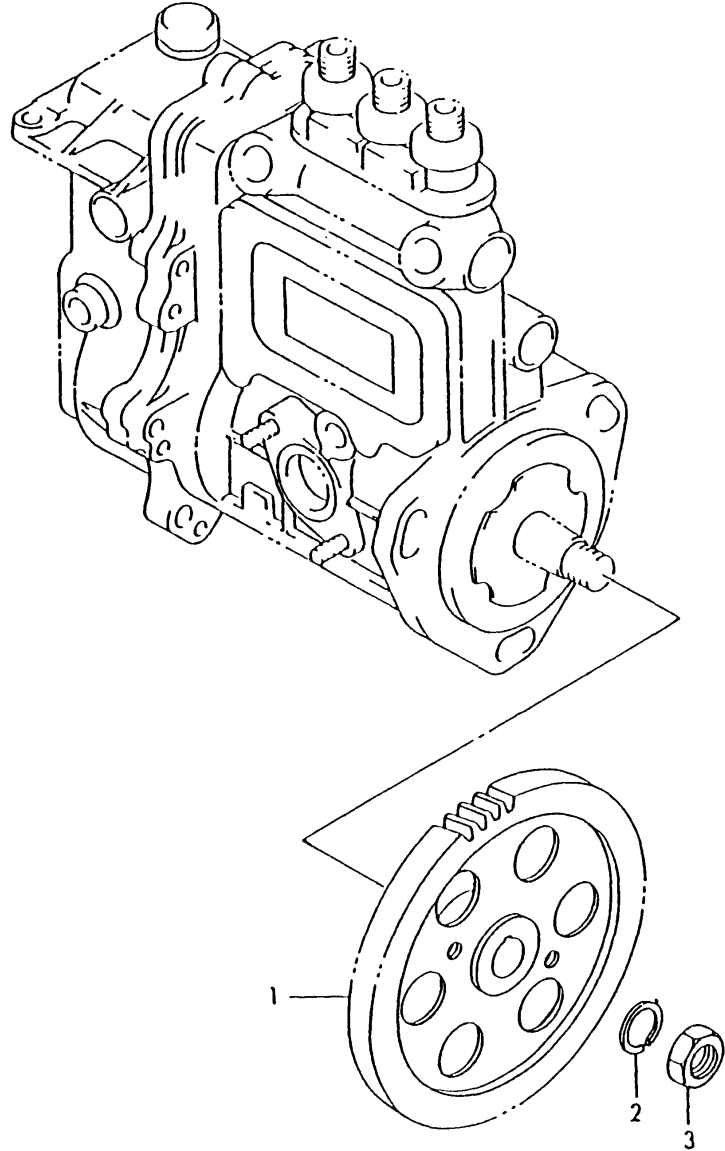
(A)=3TN78L-DWWCH
(B)=
(C)=

(D)=
(E)=
(F)=

No.	Lev.	Parts No.	Description	Q'ty						I	R
				(A)	(B)	(C)	(D)	(E)	(F)		
1	1	129100-25060	SHAFT, IDLE	1							
1-1	1	129100-25061	SHAFT, IDLE	1							S
			(A=*1985.06)								
2	1	129150-25100	GEAR ASSY, IDLE	1							
2-1	1	129150-25101	GEAR ASSY, IDLE	1							S
			(A=*1985.06)								
3	2	129150-25065	BUSH, IDLE GEAR	1							
4	1	26106-080452	BOLT, M8X 45 PLATED	2							

Fig.21. FUEL FEED PUMP GEAR

029100-25200



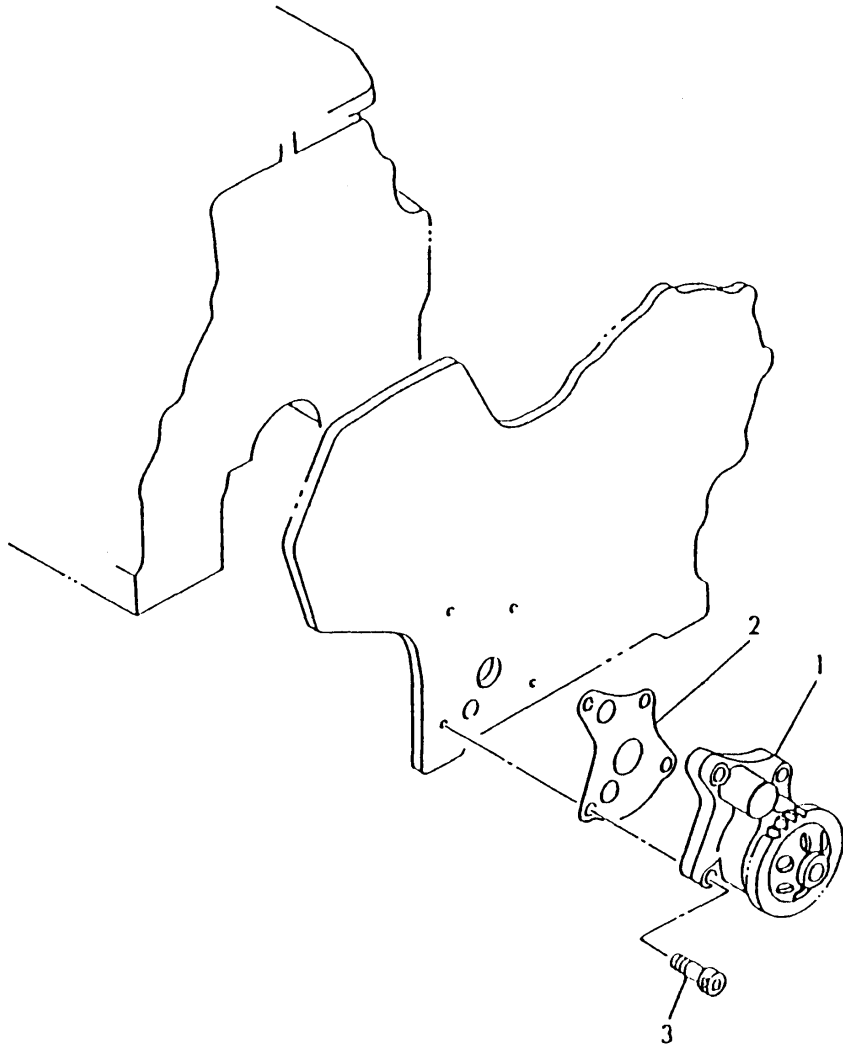
(A)=3TN78L-DWWCH
(B)=
(C)=

(D)=
(E)=
(F)=

No.	Lev.	Parts No.	Description	Q'ty						I	R
				(A)	(B)	(C)	(D)	(E)	(F)		
1	1	129100-25900	GEAR, PUMP	1							
2	1	22217-120000	WASHER, SPRING 12	1							
3	1	26716-120002	NUT, M12	1							

Fig.22. LUB. OIL PUMP

D29150-32100



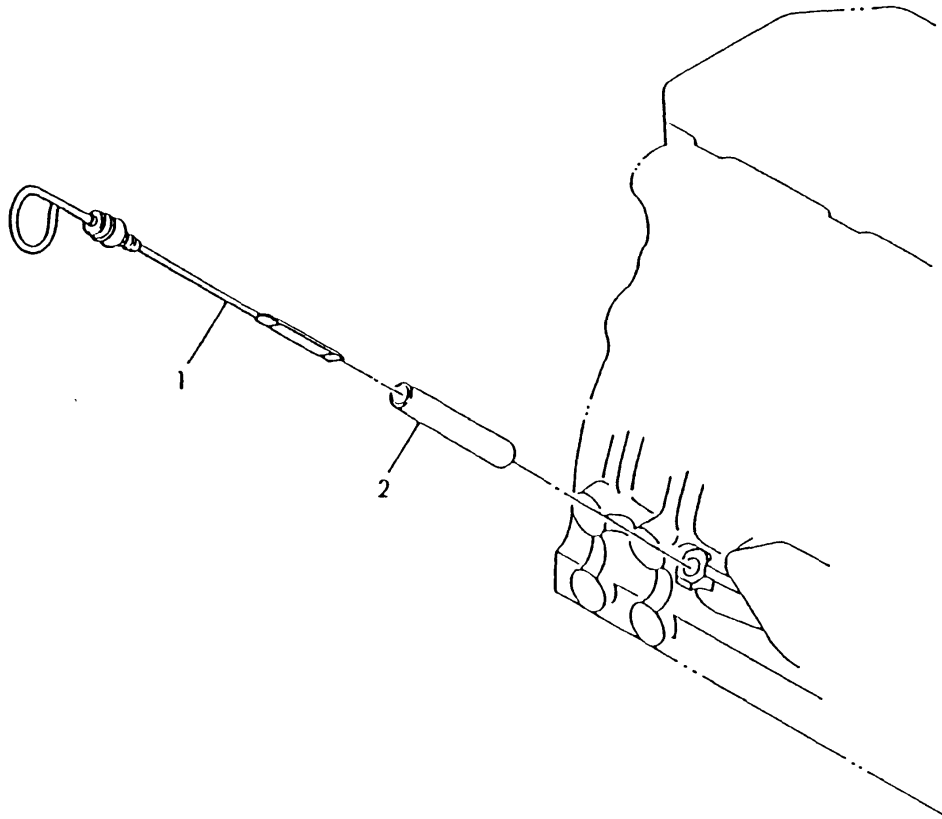
(A)=3TN78L-DWWCH
(B)=
(C)=

(D)=
(E)=
(F)=

No.	Lev.	Parts No.	Description	Qty						I	R
				(A)	(B)	(C)	(D)	(E)	(F)		
1	1	129150-32000	PUMP ASSY, OIL	1							
2	1	129150-32020	GASKET, PUMP	1							
3	1	26450-060252	BOLT, M6X 25	4							

Fig.23. LUB.OIL DIPSTICK

D29100-34100



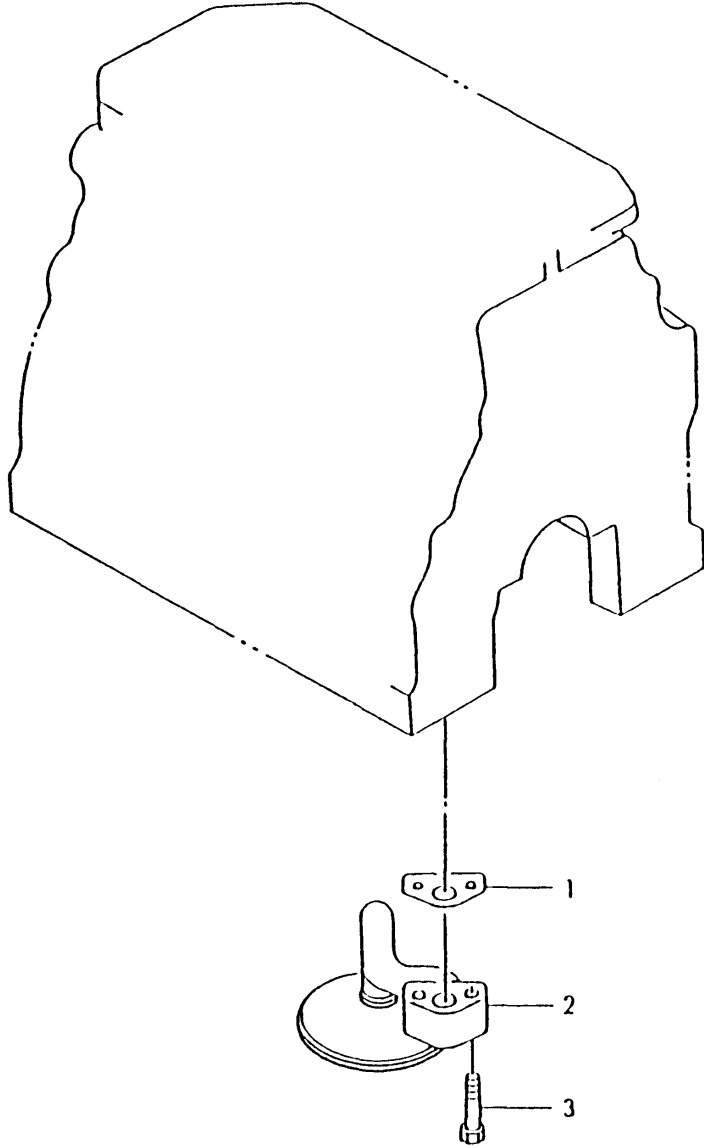
(A)=3TN78L-DWWCH
(B)=
(C)=

(D)=
(E)=
(F)=

No.	Lev.	Parts No.	Description	Q'ty						I	R
				(A)	(B)	(C)	(D)	(E)	(F)		
1	1	171420-34820	DIPSTICK, OIL	1							
2	1	121520-34810	GUIDE, DIPSTICK	1							

Fig.24. LUB.OIL SUCTION PIPE

029100-35110



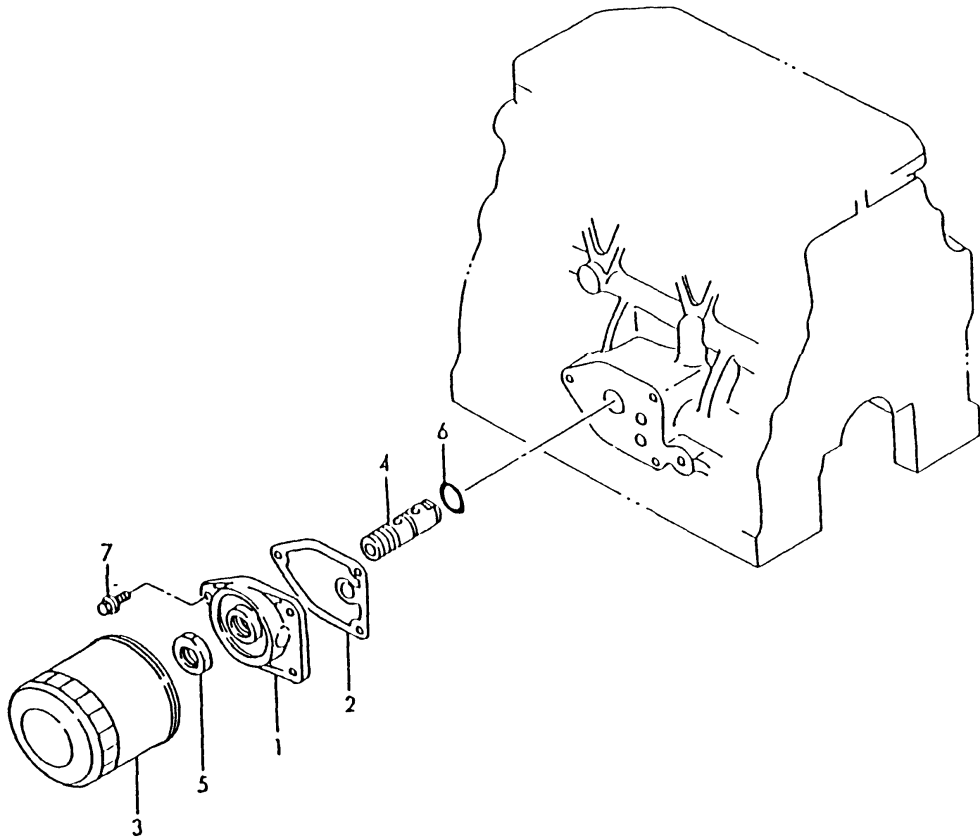
(A)=3TN78L-DWWCH
(B)=
(C)=

(D)=
(E)=
(F)=

No.	Lev.	Parts No.	Description	Qty						I	R	
				(A)	(B)	(C)	(D)	(E)	(F)			
1	1	129150-35040	GASKET	1								
1-1	1	129150-35041	GASKET	1								N
			(A=*1990.06)									
2	1	129100-35300	PIPE ASSY, OIL INLET	1								
2-1	1	129100-35301	PIPE ASSY, OIL INLET	1								N
			(A=*1989.12)									
3	1	26116-080352	BOLT, M8X 35 PLATED	2								
3-1	1	26106-080352	BOLT, M8X 35 PLATED	2								N
			(A=*1989.)									

Fig.25. LUB. OIL STRAINER

029100-35200



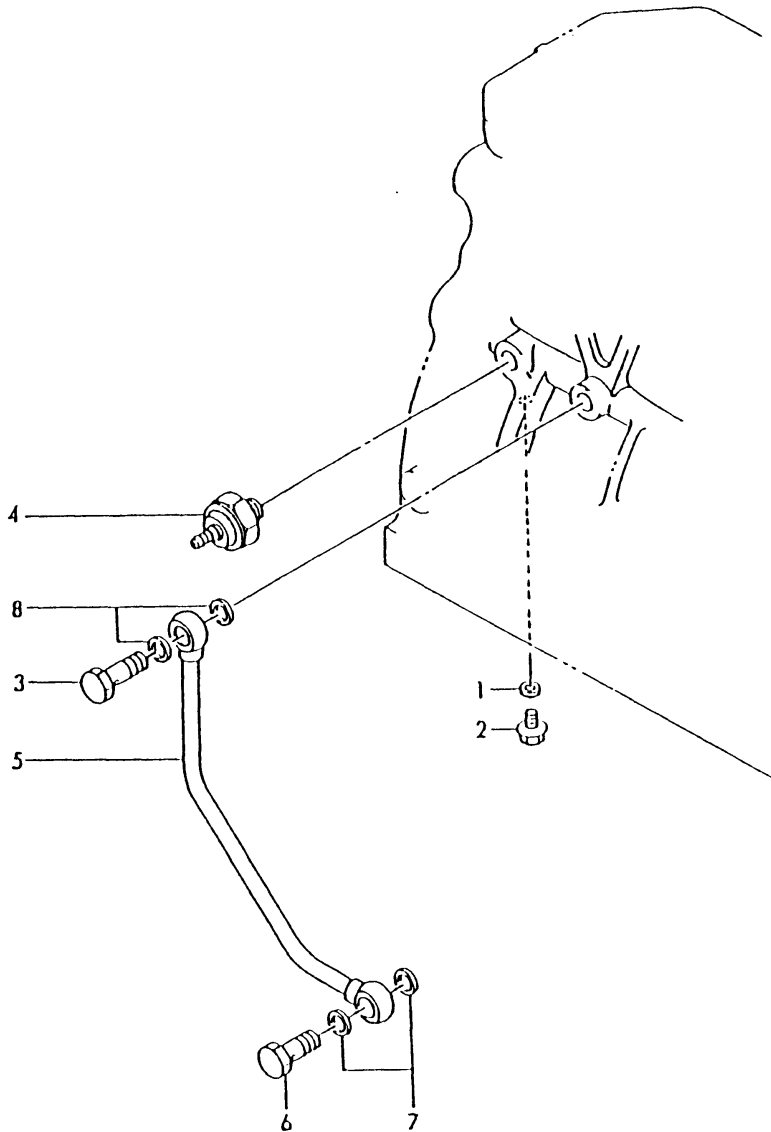
(A)=3TN78L-DWWCH
(B)=
(C)=

(D)=
(E)=
(F)=

No.	Lev.	Parts No.	Description	Q'ty						I	R
				(A)	(B)	(C)	(D)	(E)	(F)		
1	1	129150-35101	BRACKET, STRAINER	1							
2	1	129150-35110	GASKET	1							
2-1	1	129150-35111	GASKET	1							N
(A=*1990.06)											
3	1	129150-35150	FILTER 90X80L	1							
4	1	119865-35300	VALVE ASSY, CONTROL	1							
5	1	129150-35350	NUT	1							
6	1	24311-000160	O-RING, 1AP16.0	1							
7	1	26106-080202	BOLT, M8X 20 PLATED	3							

Fig.26. LUB. OIL PIPES

029150-39100



(A)=3TN78L-DWWCH

(B)=

(C)=

(D)=

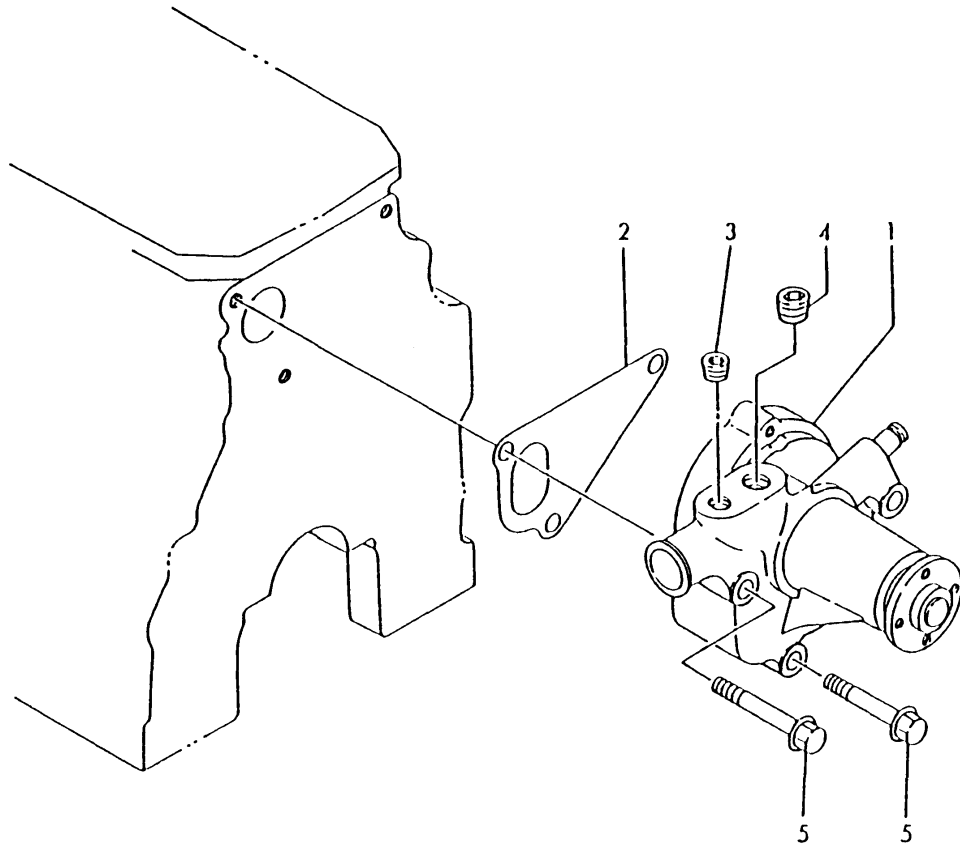
(E)=

(F)=

No.	Lev.	Parts No.	Description	Q'ty						I	R
				(A)	(B)	(C)	(D)	(E)	(F)		
1	1	23414-080000 (A=EXXX)	GASKET, 8X1.0	3							Z
2	1	26106-080122 (A=EXXX)	BOLT, M8X 12 PLATED	3							Z
3	1	124160-39140	BOLT, PIPE JOINT M10	1							
4	1	124160-39450	SWITCH, 0.5KG	1							
5	1	129150-39450	PIPE ASSY, OIL	1							
6	1	124550-59820	BOLT, PIPE JOINT M8	1							
7	1	23414-080000	GASKET, 8X1.0	2							
8	1	23414-100000	GASKET, 10X1.0	2							

Fig.27. COOLING WATER PUMP

029100-42110



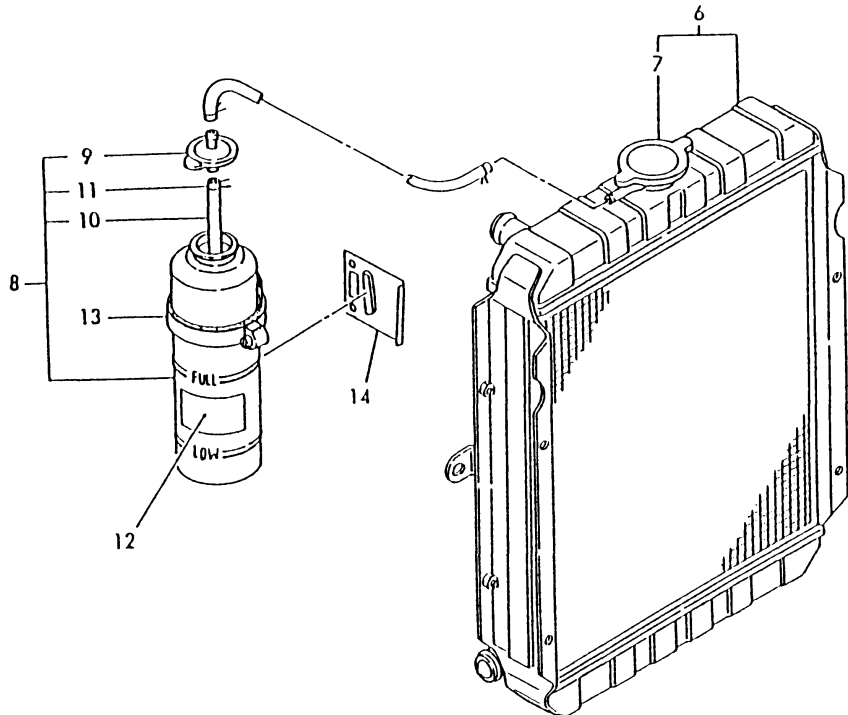
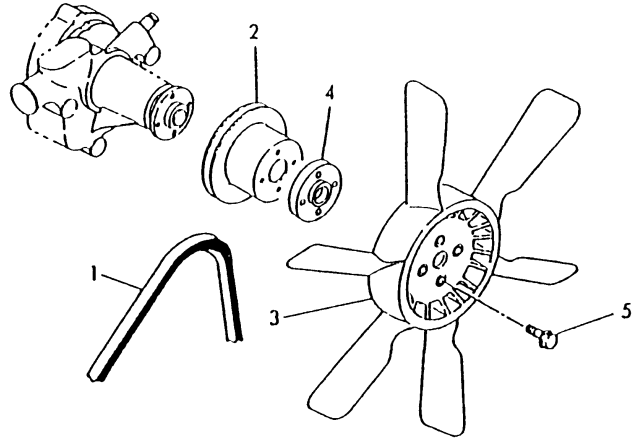
(A)=3TN78L-DWWCH
(B)=
(C)=

(D)=
(E)=
(F)=

No.	Lev.	Parts No.	Description	Q'ty						I	R
				(A)	(B)	(C)	(D)	(E)	(F)		
1	1	129100-42000	PUMP ASSY, WATER	1							
1-1	1	129100-42001	PUMP ASSY, WATER	1							R
(A=*1986.05)											
1-2	1	129100-42002	PUMP ASSY, WATER	1							N
(A=*1990.06)											
2	1	129100-42020	GASKET, WATER PUMP	1							
3	1	121850-11860	PLUG, PT1/4	1							
4	1	124250-11880	PLUG	1							Z
(A=*1986.05)											
5	1	26106-080602	BOLT, M8X 60 PLATED	3							

Fig.28. COOLING FAN PULLEY

D29100-42300
 U71340-44400
 U71341-93100



(A)=3TN78L-DWWCH
 (B)=
 (C)=

(D)=
 (E)=
 (F)=

No.	Lev.	Parts No.	Description	Q'ty						I	R
				(A)	(B)	(C)	(D)	(E)	(F)		
1	1	124001-42290	V-BELT, 36	1							
1-1	1	124732-42290	V-BELT, AX37	1							S
(A=EXXX)											
2	1	129403-42380	V-PULLEY, D=110	1							
3	1	171340-44740	FAN, COOLING D335XNF	1							
4	1	124574-44761	SPACER, FAN	1							
5	1	26106-060202	BOLT, M6X 20 PLATED	4							
5-1	1	26014-060252	BOLT, M6X 25	4							S
(A=*1985.09)											
6	1	171440-44500	RADIATOR	1							
7	2	123682-44210	CAP, RADIATOR	1							
8	1	124450-44510	TANK ASSY, SUB	1							
9	2	124450-44530	CAP	1							
10	2	23061-070230	PIPE, 7X 230	1							
11	2	124450-44560	RETAINER	1							
12	1	124764-44810	LABEL, SUB TANK	1							
13	1	124450-44550	BAND	1							
14	1	121256-44600	BRACKET, SUB TANK	1							

Fig.29. THERMOSTAT

029100-49210

(A)=3TN78L-DWWCH

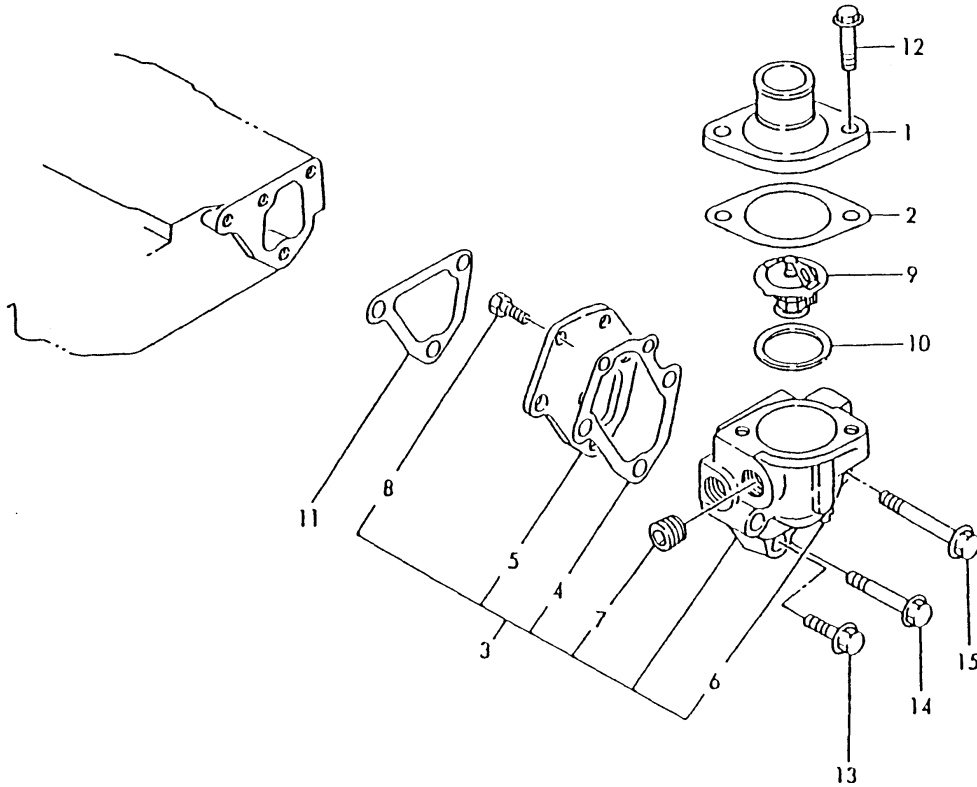
(B)=

(C)=

(D)=

(E)=

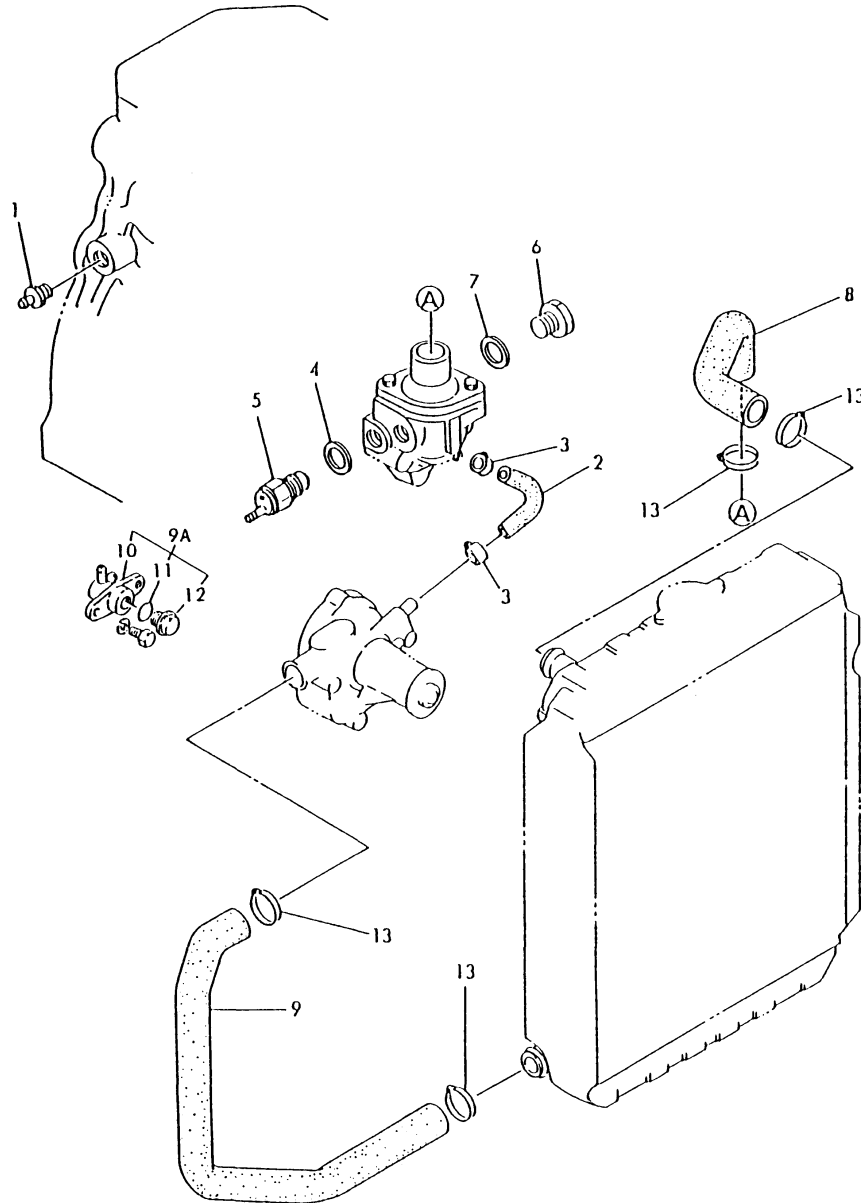
(F)=



No.	Lev.	Parts No.	Description	Q'ty						I	R
				(A)	(B)	(C)	(D)	(E)	(F)		
1	1	129350-49530	COVER, THERMOSTAT	1							
2	1	129795-49550	GASKET	1							
2-1	1	129795-49551	GASKET	1							N
(A=*1990.06)											
3	1	129100-49800	CASE ASSY,THERMOSTAT	1							
4	2	129100-49820	GASKET	1							
5	2	129100-49830	COVER, THERMOSTAT	1							
6	2	124770-11770	JOINT, PIPE PT1/8	1							
7	2	23871-030000	PLUG, R03	1							
8	2	26116-060162	BOLT, M6X 16 PLATED	2							
9	1	129155-49800	THERMOSTAT, 71	1							
10	1	129150-49810	GASKET, THERMOSTAT	1							
10-1	1	129150-49811	GASKET, THERMOSTAT	1							N
(A=*1990.06)											
11	1	129100-49840	GASKET	1							
12	1	26106-080202	BOLT, M8X 20 PLATED	2							
13	1	26106-080252	BOLT, M8X 25 PLATED	1							
14	1	26106-080502	BOLT, M8X 50 PLATED	1							
15	1	26106-080602	BOLT, M8X 60 PLATED	1							

Fig.30. COOLING WATER PIPES

D19600-49300
 D29100-49500
 D29100-49610
 U71341-93100



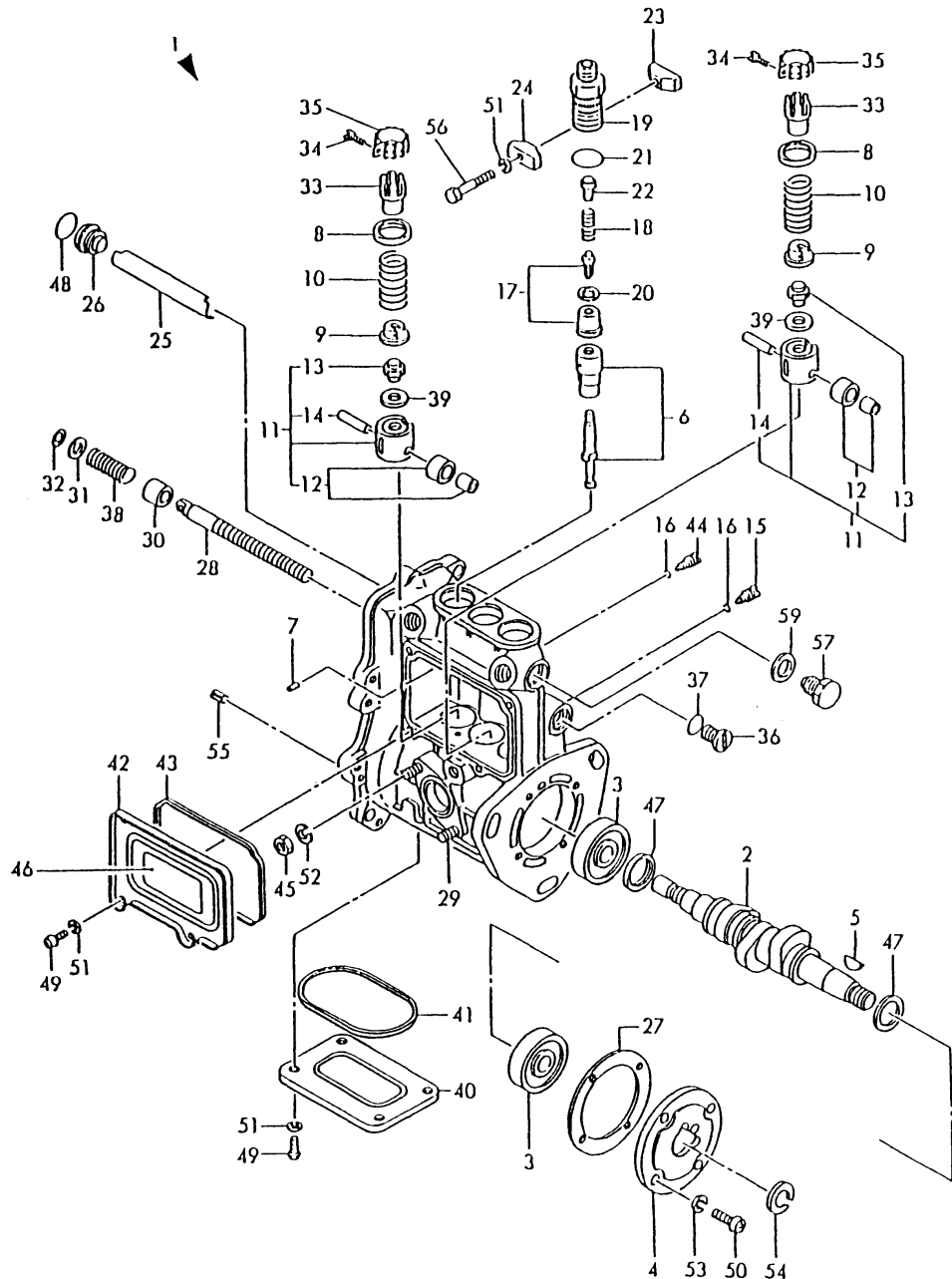
(A)=3TN78L-DWWCH
 (B)=
 (C)=

(D)=
 (E)=
 (F)=

No.	Lev.	Parts No.	Description	Q'ty						I	R
				(A)	(B)	(C)	(D)	(E)	(F)		
1	1	121550-49111	JOINT, PT1/4	1							
2	1	129100-49050	PIPE, WATER	1							
3	1	23000-016000	CLAMP, 16	2							
4	1	124465-44950	GASKET, 16	1							
5	1	121250-44901	SWITCH, 110	1							
6	1	121450-42450	PLUG, M16	1							
7	1	124465-44950	GASKET, 16	1							
8	1	171301-49010	PIPE, WATER	1							
9	1	171301-49020	PIPE, WATER	1							
9A	1	121450-49110	COCK ASSY, 3-WAY	1							W
		(A=*1988.06)									
10	2	121450-49100	BODY, 3-WAY COCK	1							
11	2	24311-000160	O-RING, 1AP16.0	1							
12	2	121250-49121	PLUG, DRAIN	1							
13	1	23010-038000	CLAMP, 38	4							

Fig.31. FUEL INJECTION PUMP

D29100-51200



(A)=3TN78L-DWWCH

(B)=

(C)=

(D)=

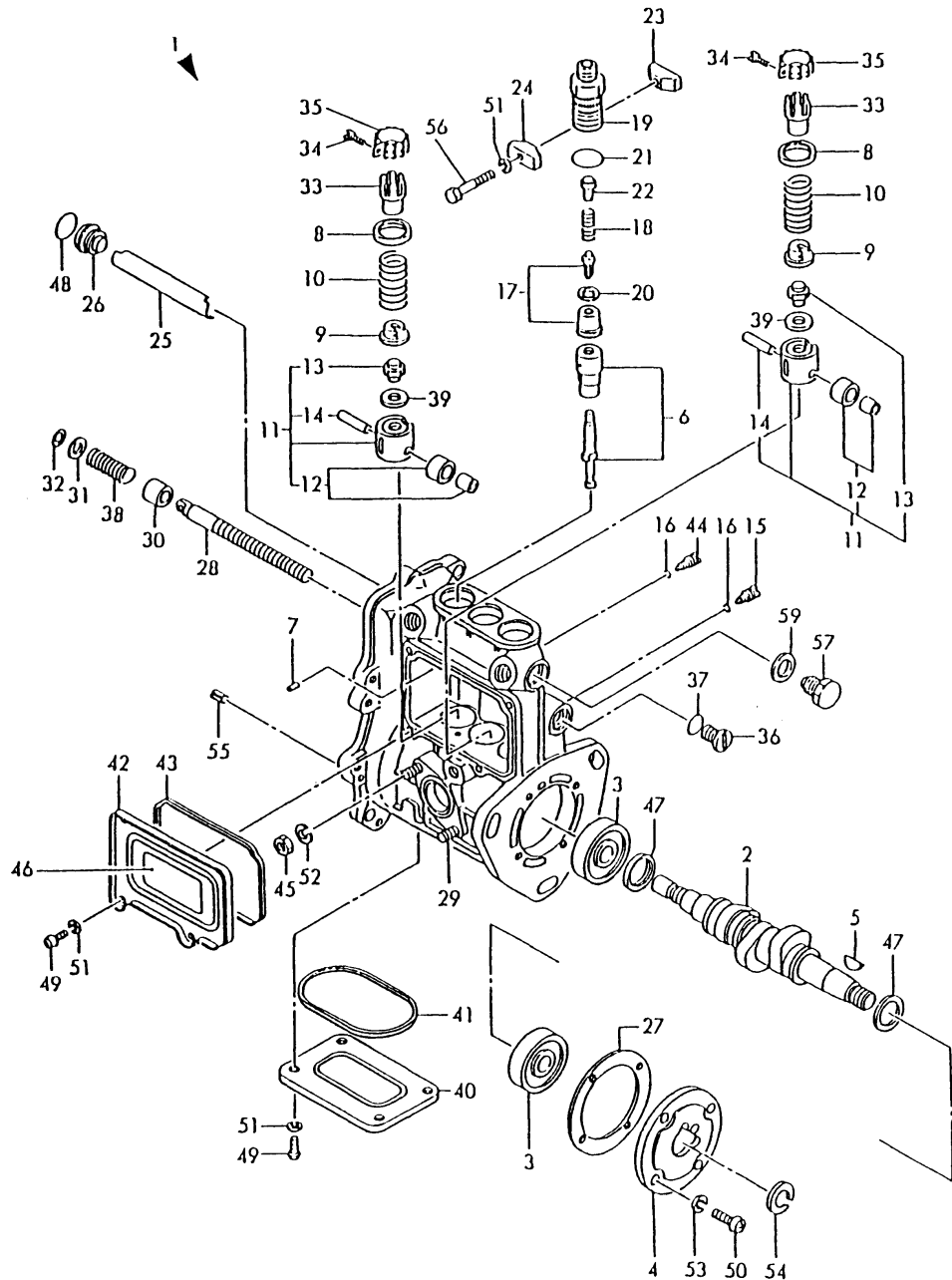
(E)=

(F)=

No.	Lev.	Parts No.	Description	Q'ty						I	R
				(A)	(B)	(C)	(D)	(E)	(F)		
1	1	771341-51410	PUMP ASSY, INJECTION	1							
2	2	119810-51040	CAMSHAFT	1							
3	2	122710-51050	BEARING, HR30203J	2							
4	2	129470-51060	RETAINER, BEARING	1							
5	2	122710-51090	KEY	1							
6	2	129400-51200	PLUNGER ASSY	3							
7	2	129155-51140	PIN	3							
8	2	174307-51170	RETAINER, SPRING A	3							
9	2	129155-51180	RETAINER, SPRING	3							
10	2	124950-51190	SPRING, PLUNGER	3							
11	2	129155-51200	TAPPET ASSY	3							
12	3	711100-51540	ROLLER ASSY	3							
13	3	129155-51250	BOLT, ADJUSTING	3							
14	3	174100-54120	PIN	3							
15	2	129155-51270	STOPPER, TAPPET	3							
16	2	129155-51280	O-RING, S6	3							
17	2	128170-51300	VALVE ASSY, DELIVERY	3							
18	2	129155-51320	SPRING, DELIVERY	3							
19	2	129155-51340	RETAINER	3							
20	2	124550-51350	GASKET, DELIVERY	3							
21	2	124550-51370	O-RING	3							
22	2	129155-51370	STOPPER, VALVE	3							
23	2	129155-51380	STOPPER	2							
24	2	129155-51390	STOPPER	2							
25	2	129155-51400	DEFLECTOR	1							
26	2	129155-51410	BOLT	2							
26-1	2	129155-51410	BOLT	1							K
(A=*1985.10)											
27	2	129155-51450	SHIM SET, ADJUSTING	1							
28	2	129155-51500	RACK, CONTROL	1							
29	2	26216-060142	STUD, M6X 14	2							
29-1	2	129155-51020	STUD	2							N
(A=*1987.11)											
30	2	129155-51520	BUSH, RACK	1							
30-1	2	129155-51521	BUSH, RACK	1							N
(A=EXXX)											
31	2	129155-51530	SPACER	1							
32	2	129155-51540	CIRCLIP	1							
33	2	129155-51550	PINION, CONTROL	3							
34	2	122117-51560	SCREW	3							
35	2	174307-51560	PINION	3							
36	2	129155-51570	PLUG, M12	1							
37	2	129155-51580	O-RING	1							
38	2	129155-51591	SPRING, RACK	1							
39	2	129155-51600	SHIM SET, ADJUSTING	3							
40	2	129155-51700	COVER	1							
41	2	129155-51710	GASKET	1							
42	2	129155-51750	COVER	1							
43	2	129155-51760	GASKET	1							
44	2	129155-51790	STOOPER, RACK	1							
45	2	26716-060002	NUT, M6	2							

Fig.31. FUEL INJECTION PUMP

D29100-51200



(A)=3TN78L-DWWCH

(B)=

(C)=

(D)=

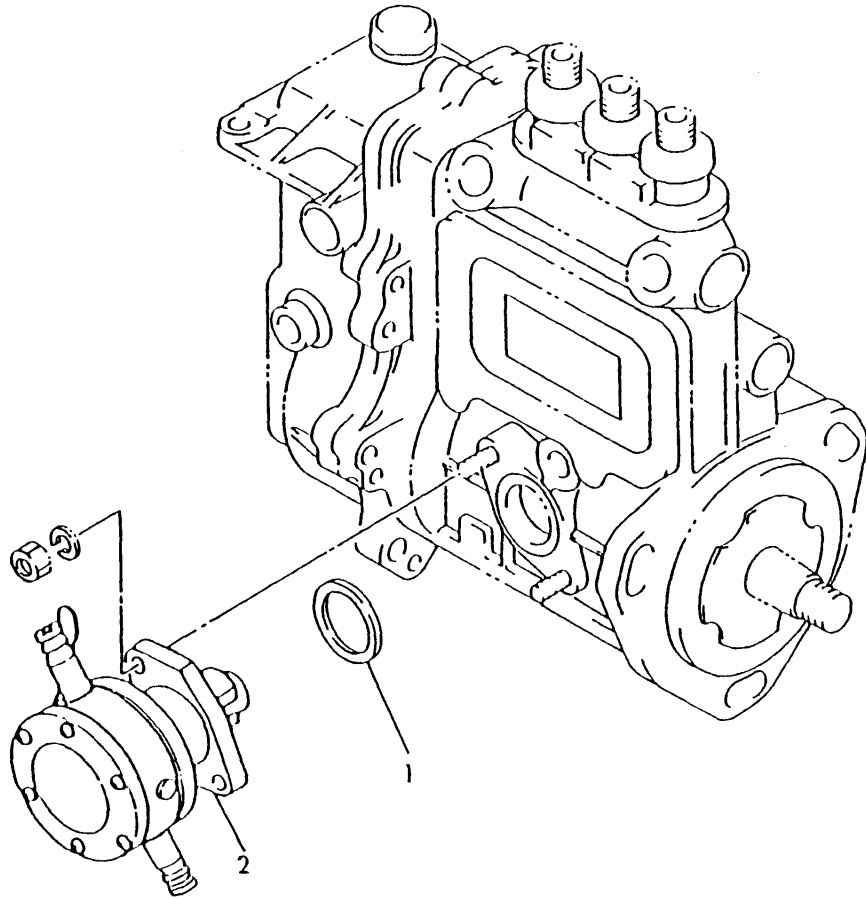
(E)=

(F)=

No.	Lev.	Parts No.	Description	Q'ty						I	R
				(A)	(B)	(C)	(D)	(E)	(F)		
46	2	129156-51910	LABEL, CAUTION	1							
47	2	129470-51080	SEAL, AF0741F0	2							
47-1	2	129470-51080	SEAL, AF0741F0	1							K
(A=EXXX)											
48	2	24341-000160	O-RING, 1AS16.0	2							
48-1	2	24341-000160	O-RING, 1AS16.0	1							K
(A=*1985.10)											
49	2	26557-050102	SCREW, M5X10	8							
49-1	2	26022-050102	SCREW, M5X10	8							N
(A=*1986.03)											
50	2	26557-060162	SCREW M 6X 16	4							
50-1	2	26022-060162	SCREW, M6X16	4							N
(A=EXXX)											
51	2	22217-050000	WASHER, SPRING 5	8							Z
(A=*1986.03)											
52	2	22217-060000	WASHER, SPRING 6	2							
53	2	22287-060000	WASHER 6	4							Z
(A=EXXX)											
54	2	22287-120000	WASHER, 12	1							
55	2	22351-050010	PIN, SPRING 5.0X10	2							
56	2	26116-050309	BOLT M 5X 30 PLATED	2							
57	2	129155-51420	PLUG, M16	1							W
(A=*1985.10)											
59	2	43400-500490	SEAL WASHER 16S	1							W
(A=*1985.10)											

Fig.32. FUEL FEED PUMP

029100-52100



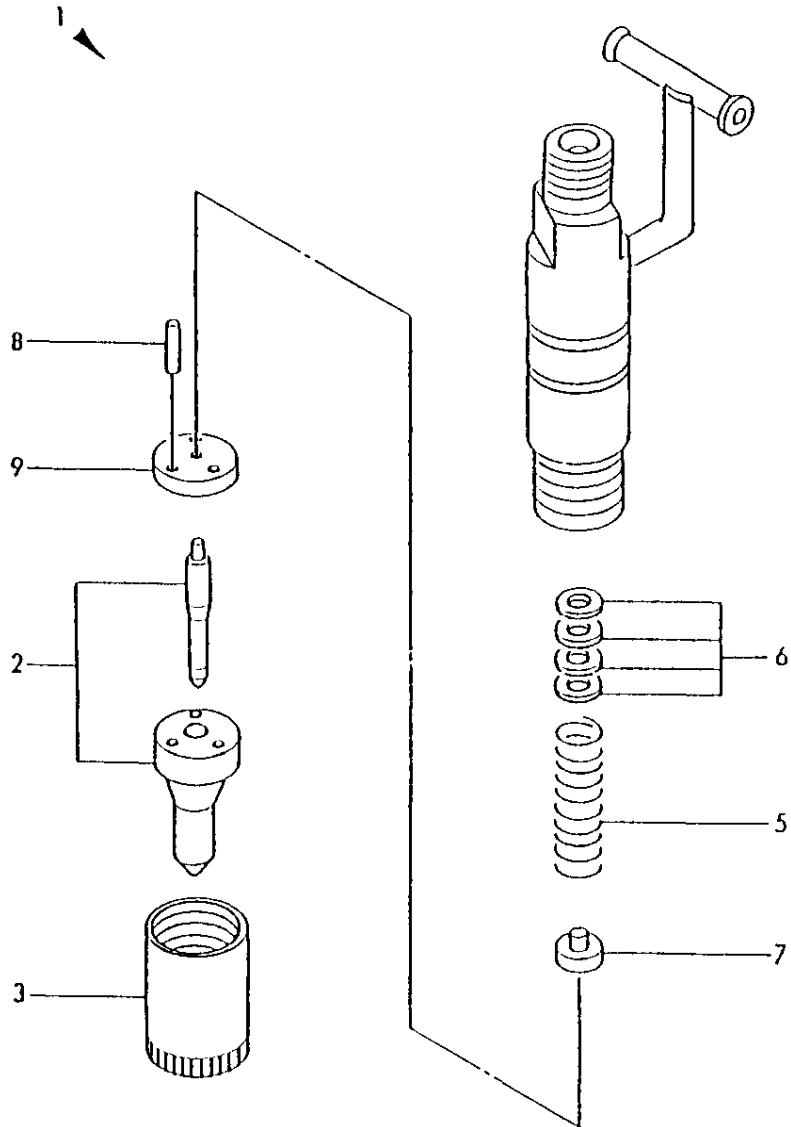
(A)=3TN78L-DWWCH
(B)=
(C)=

(D)=
(E)=
(F)=

No.	Lev.	Parts No.	Description	Q'ty						I	R
				(A)	(B)	(C)	(D)	(E)	(F)		
1	1	129155-52050	GASKET	1							
2	1	129100-52100	PUMP ASSY, FUEL FEED	1							

Fig.33. FUEL INJECTION VALVE

029100-53100



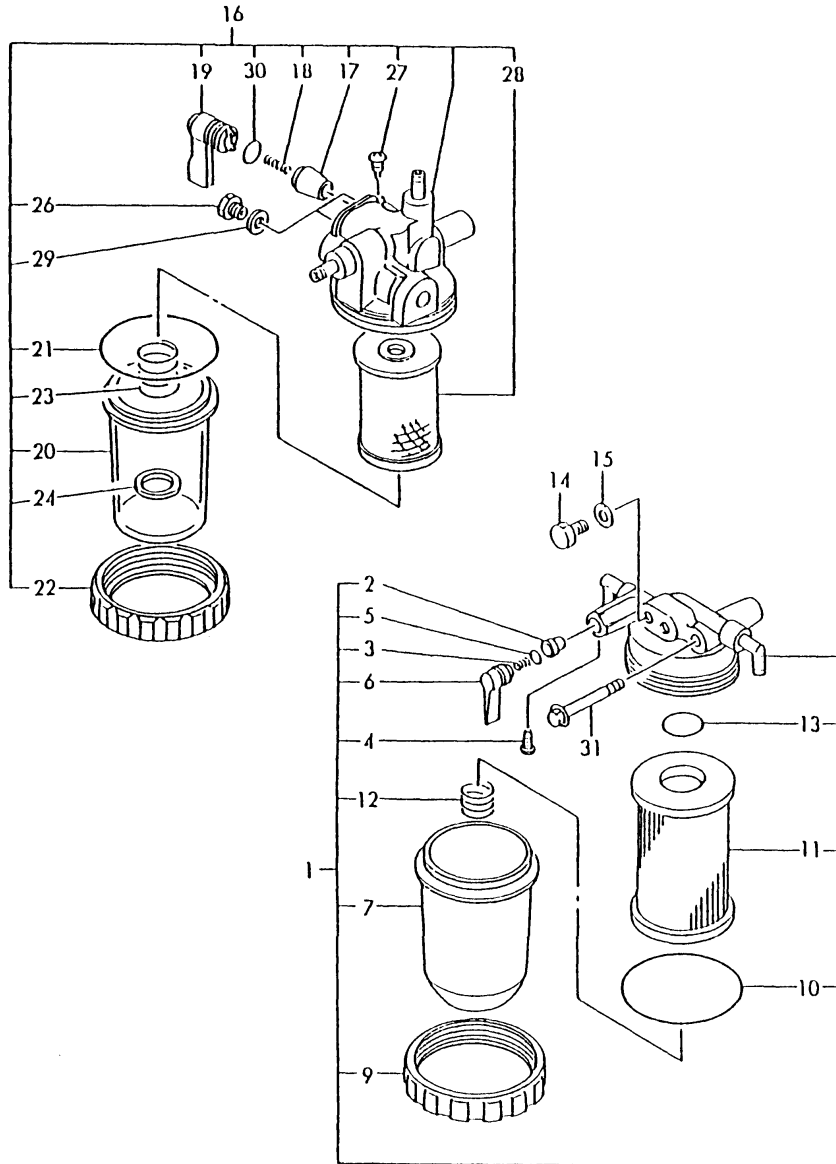
(A)=3TN78L-DWWCH
(B)=
(C)=

(D)=
(E)=
(F)=

No.	Lev.	Parts No.	Description	Q'ty						I	R
				(A)	(B)	(C)	(D)	(E)	(F)		
1	1	729100-53100	VALVE ASSY,INJECTION	3							
2	2	129100-53000	VALVE ASSY,INJECTION	3							
3	2	114250-53080	NUT, NOZZLE D16.95	3							
5	2	114250-53120	SPRING, NOZZLE	3							
6	2	114250-53400	SHIM SET	3							
7	2	114250-53130	SEAT, SPRING	3							
8	2	114250-53210	PIN	6							
9	2	114250-53140	PLATE	3							

Fig.34. FUEL STRAINER

D29100-55110
U71341-93100



(A)=3TN78L-DWWCH

(B)=

(C)=

(D)=

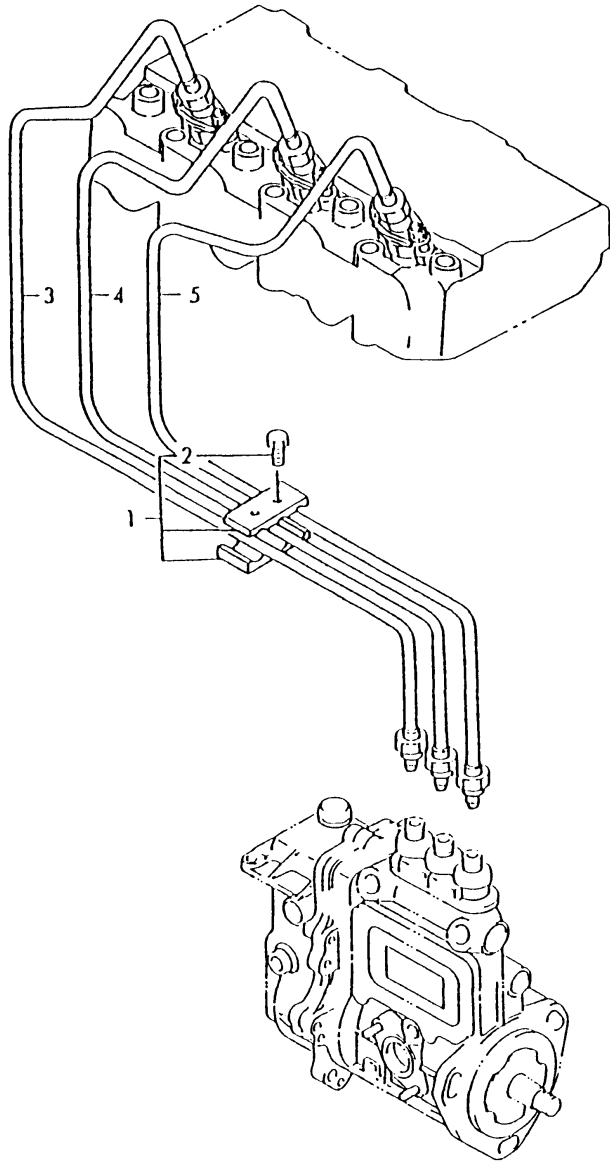
(E)=

(F)=

No.	Lev.	Parts No.	Description	Q'ty						I	R
				(A)	(B)	(C)	(D)	(E)	(F)		
1	1	129100-55620	FILTER ASSY, FUEL	1							
2	2	104200-55321	VALVE, TAPER	1							
3	2	104200-55330	SPRING, VALVE	1							
4	2	104200-55750	SCREW, M4	1							
5	2	24311-240100	O-RING, 1AP10A	1							
6	2	129100-55670	LEVER	1							
7	2	129100-55680	CUP, STRAINER	1							
9	2	129100-55690	RING, RETAINING	1							
10	2	24321-000650	O-RING, 1AG65.0	1							
11	2	129100-55650	ELEMENT	1							
12	2	129100-55700	SPRING	1							
13	2	24311-000160	O-RING, 1AP16.0	1							
14	2	101720-55750	PLUG, 6	1							
15	2	23418-060000	GASKET, 6X1.0	1							
16	1	121257-55700	SEPARATOR, WATER	1							
17	2	104200-55321	VALVE, TAPER	1							
18	2	104200-55330	SPRING, VALVE	1							
19	2	104200-55341	HANDLE	1							
20	2	121254-55510	COVER	1							
21	2	102103-55520	O-RING	1							
22	2	110250-55610	RING, RETAINING	1							
23	2	121257-55720	SPRING	1							
24	2	121257-57731	FLOAT	1							M
24-1	2	121257-55731	FLOAT	1							
26	2	101720-55750	PLUG, 6	2							
27	2	104200-55750	SCREW, M4	1							
28	2	171081-55910	SCREEN	1							
29	2	23418-060000	GASKET, 6X1.0	2							
30	2	24311-240100	O-RING, 1AP10A	1							
31	1	26106-080652	BOLT, M8X 65 PLATED	1							

Fig.35. FUEL INJECTION PIPES

029100-59100



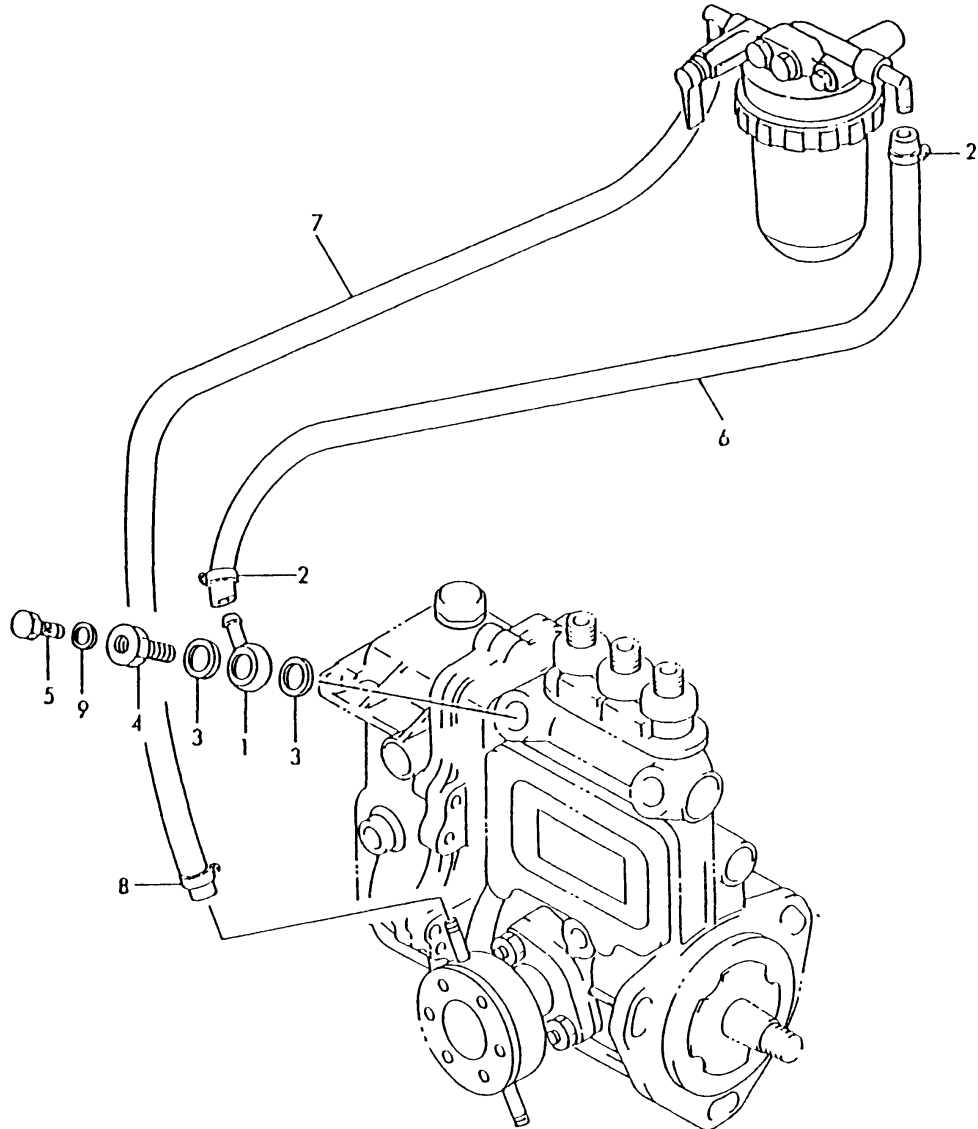
(A)=3TN78L-DWWCH
(B)=
(C)=

(D)=
(E)=
(F)=

No.	Lev.	Parts No.	Description	Q'ty						I	R
				(A)	(B)	(C)	(D)	(E)	(F)		
1	1	129150-59120	RETAINER, PIPE	1							
2	2	129150-59130	BOLT, M4X12	2							
3	1	129100-59810	PIPE ASSY, INJECTION	1							
4	1	129100-59820	PIPE ASSY, INJECTION	1							
5	1	129100-59830	PIPE ASSY, INJECTION	1							

Fig.36. FUEL PIPES

029100-59210



(A)=3TN78L-DWWCH
(B)=
(C)=

(D)=
(E)=
(F)=

No.	Lev.	Parts No.	Description	Q'ty						I	R
				(A)	(B)	(C)	(D)	(E)	(F)		
1	1	101304-59020	JOINT, PIPE 12	1							
2	1	124766-59050	CLIP, HOSE 12	2							
3	1	104200-59170	GASKET, 12	2							
4	1	103854-59201	BOLT, PIPE JOINT M12	1							
5	1	124060-59380	PLUG, 6	1							
6	1	129555-59510	PIPE, D13/7.5X180	1							
7	1	105025-59530	PIPE, FUEL D13X400	1							
8	1	23000-013000	CLAMP, 13	2							
9	1	43400-500390	SEAL WASHER 6S	1							

Fig.37. FUEL RETURN PIPE

D29100-59300

(A)=3TN78L-DWWCH

(B)=

(C)=

(D)=

(E)=

(F)=

No.	Lev.	Parts No.	Description	Q'ty						I	R
				(A)	(B)	(C)	(D)	(E)	(F)		
1	1	121250-51550	PIPE, FUEL	2							
1-1	1	121250-59550	PIPE, FUEL D8X120	2							R
(A=EXXX)											
2	1	124066-59100	CLIP, HOSE 8	8							
3	1	23414-120000	GASKET, 12X1.0	2							
4	1	129100-59560	PIPE, FUEL RETURN	1							
5	1	129150-59580	CAP	1							
6	1	129100-59951	VALVE ASSY, CHECK	1							
7	1	129100-59991	JOINT, OVER FLOW	1							

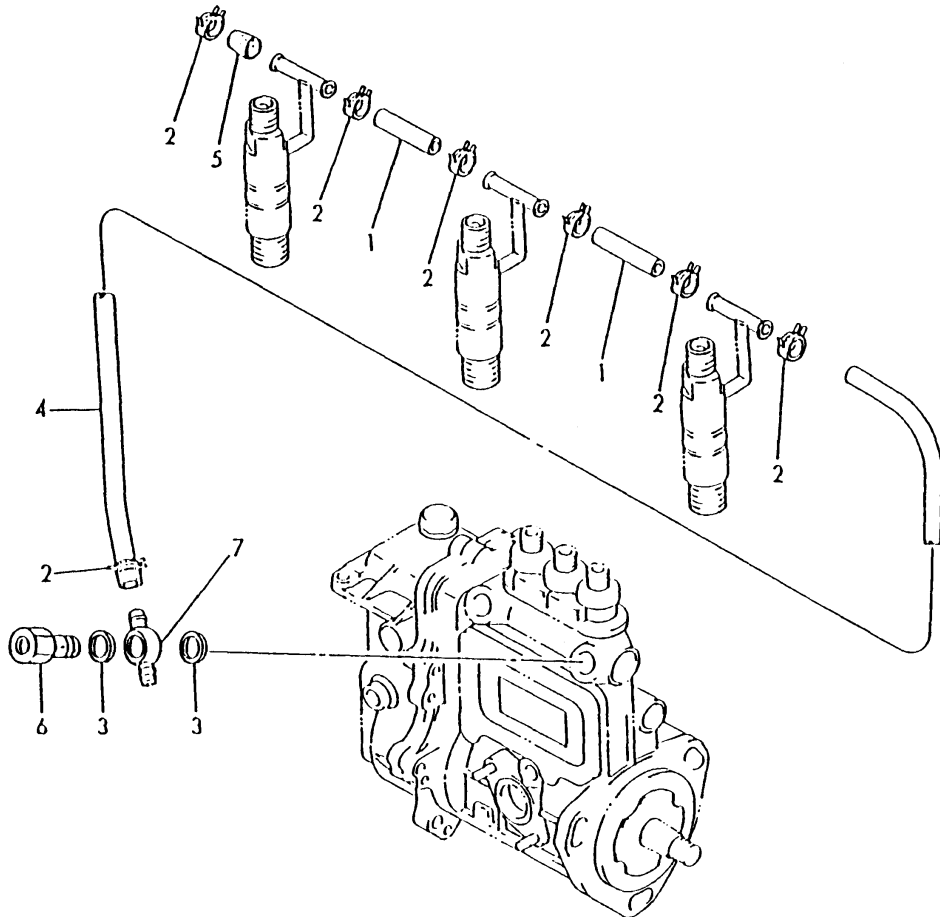
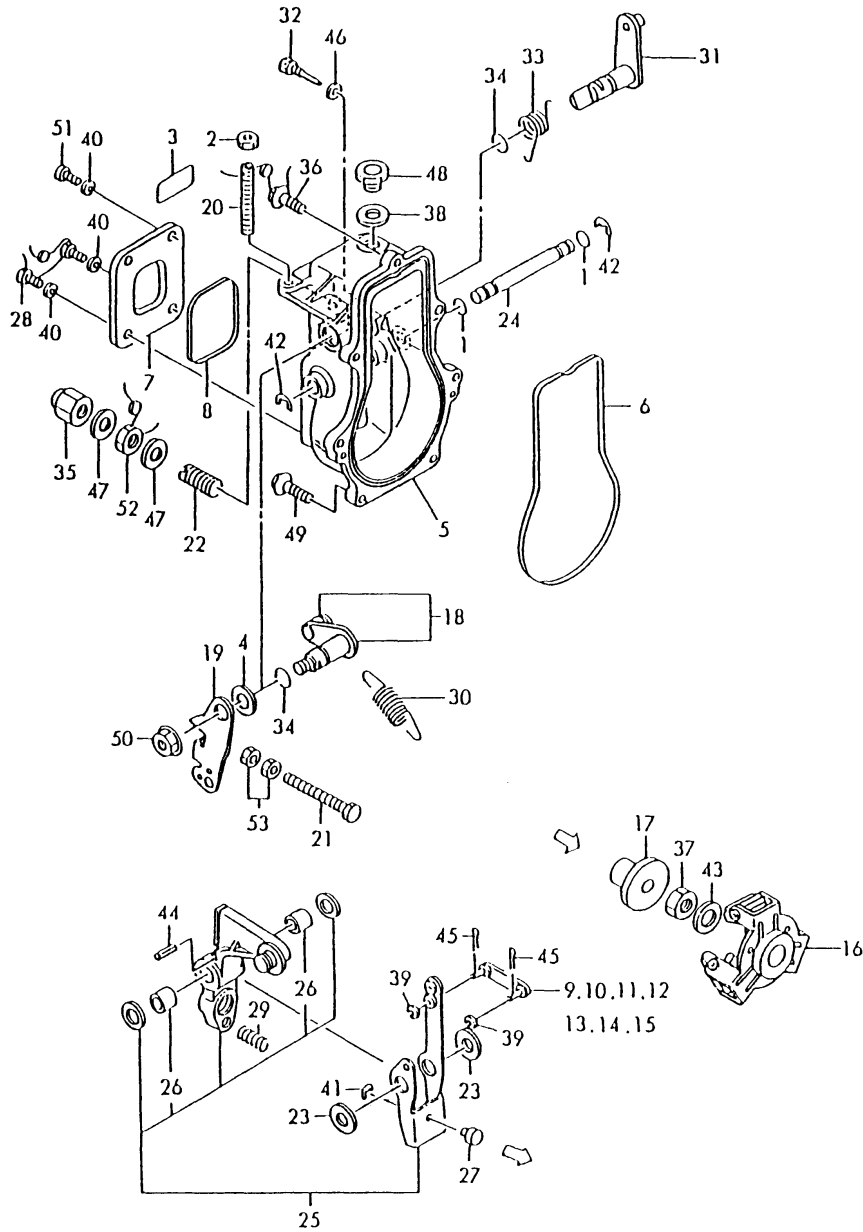


Fig.38. GOVERNOR

071341-61310



(A)=3TN78L-DWWCH

(B)=

(C)=

(D)=

(E)=

(F)=

No.	Lev.	Parts No.	Description	Q'ty						I	R
				(A)	(B)	(C)	(D)	(E)	(F)		
1	1	129155-51280	O-RING, S6	2							
2	1	124550-66370	NUT, M6	1							
3	1	129100-51940	LABEL (729100-51400)	1							
3-1	1	171341-51960	LABEL (771341-51410)	1							S
		(A=*1985.03)									
4	1	129155-61430	SPACER	1							
5	1	129155-61010	CASE, GOVERNOR	1							
5-1	1	129155-61011	CASE, GOVERNOR	1							S
		(A=*1988.12)									
6	1	129155-61050	GASKET	1							
7	1	129155-61060	COVER, GOVERNOR CASE	1							
8	1	129155-61070	GASKET	1							
9	1	129155-61120	LINK, L=30 MARK 0	1							
10	1	129155-61130	LINK, L=31 MARK 1	1							
11	1	129155-61140	LINK, L=30.5 MARK 05	1							
12	1	129155-61150	LINK, L=33	1							
13	1	129155-61160	LINK, L=34 MARK4	1							
14	1	129155-61170	LINK, L=28 MARK 8	1							
15	1	129155-61180	LINK, L=29 MARK 9	1							
16	1	129155-61201	WEIGHT ASSY,GOVERNOR	1							
17	1	129155-61341	SLEEVE	1							
18	1	129100-61400	SHAFT ASSY	1							
18-1	1	129500-61400	SHAFT ASSY	1							S
		(A=*1985.03)									
19	1	129100-61440	LEVER, CONTROL	1							
20	1	129155-61450	BOLT, LIMITER	1							
21	1	129155-61460	BOLT, IDLE	1							
22	1	129155-61470	BOLT, CONTROL	1							
23	1	129155-61480	SPACER ASSY	2							
24	1	129155-61490	SHAFT	1							
25	1	129100-61500	LEVER ASSY, GOVERNOR	1							
26	2	129155-61530	BUSH	2							
27	1	129155-61540	SHIFTER	1							
28	1	129155-61090	BOLT	1							
29	1	129470-61650	SPRING, FUEL CONTROL	1							
29-1	1	129500-61650	SPRING, FUEL CONTROL	1							S
		(A=*1985.03)									
30	1	129500-61720	SPRING, GOVERNOR	1							
30-1	1	129500-61700	SPRING, GOVERNOR	1							S
		(A=*1985.03)									
31	1	129155-61800	LEVER, STOP	1							
31-1	1	129155-61802	LEVER, STOP	1							S
		(A=*1988.10)									
32	1	129155-61810	PIN	1							
33	1	129155-61820	SPRING, RETURN	1							
33-1	1	129100-61821	SPRING, RETURN	1							S
		(A=*1988.10)									
34	1	129155-61830	O-RING, S10	3							
35	1	129100-61930	NUT, CAP	1							
36	1	129155-61950	BOLT	1							
37	1	26776-120002	NUT, LOCK M12	1							

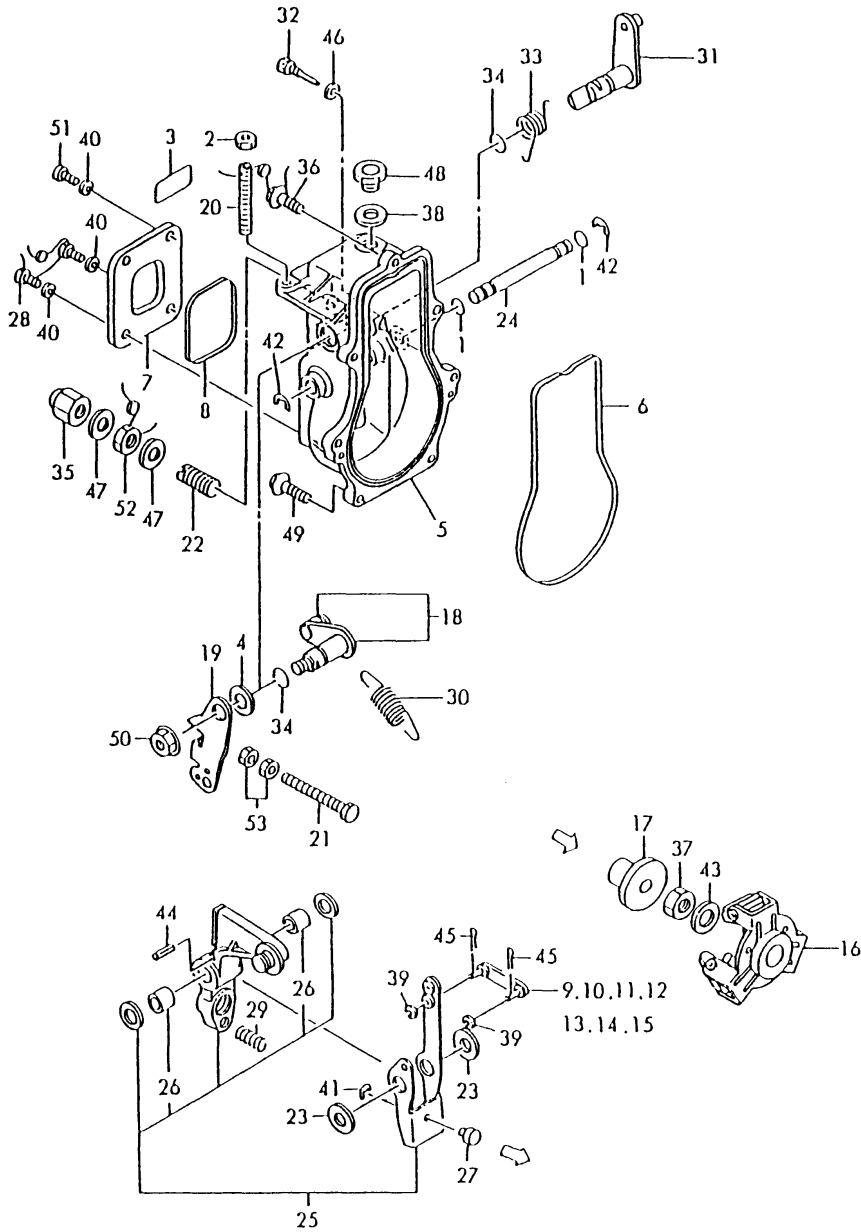
N:Old $\frac{Yes}{No}$ New, Q:Old $\frac{No}{Yes}$ New, R:Old $\frac{Yes}{Yes}$ New, S:Old $\frac{No}{No}$ New, W:Add, Z:Discontinued, F:Interchangeable by set, K:Q'ty Change

++ CONTINUE ++

Copyright (C) YANMAR CO., LTD. All Rights Reserved.

Fig.38. GOVERNOR

071341-61310



(A)=3TN78L-DWWCH

(B)=

(C)=

(D)=

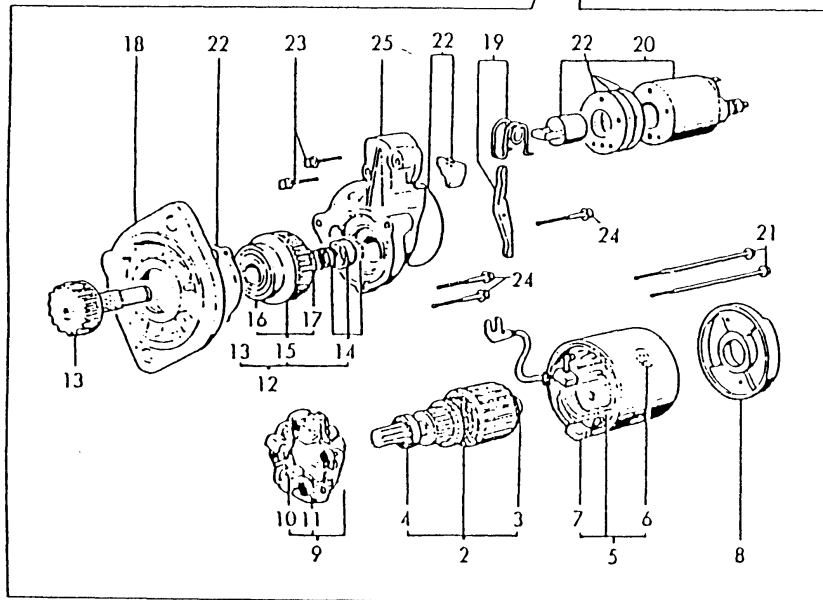
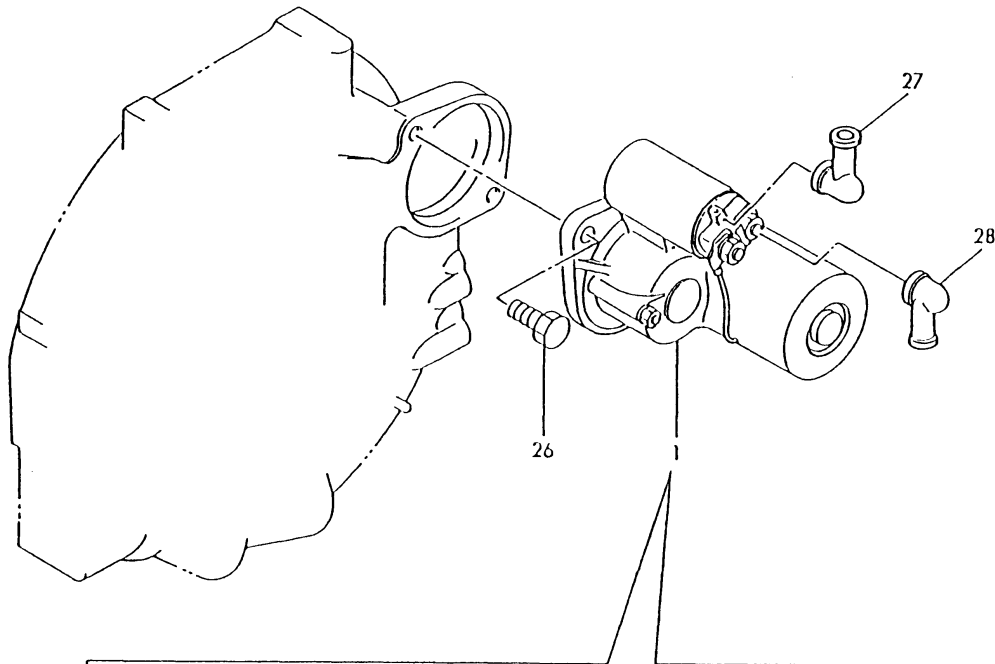
(E)=

(F)=

No.	Lev.	Parts No.	Description	Q'ty						I	R
				(A)	(B)	(C)	(D)	(E)	(F)		
38	1	22190-100000	WASHER, SEAL 10	1							
38-1	1	43400-500430	SEAL WASHER 10S	1							R
(A=*1989.)											
39	1	22117-040000	WASHER, 4	2							
40	1	22217-050000	WASHER, SPRING 5	4							
41	1	22272-000040	RING, E- 4	1							
42	1	22272-000060	RING, E- 6	2							
43	1	22282-120000	WASHER 12	1							
43-1	1	22287-120000	WASHER, 12	1							N
(A=EXXX)											
44	1	22351-030016	PIN, SPRING 3.0X16	1							
45	1	22360-050000	SNAP PIN 5	2							
46	1	23414-050000	GASKET, 5X1.0	1							
46-1	1	43400-500390	SEAL WASHER 6S	1							N
(A=EXXX)											
47	1	43400-500450	SEAL WASHER 12S	2							
48	1	23887-100002	PLUG, 10	1							
49	1	26107-060202	BOLT M 6X 20 PLATED	6							
49-1	1	26106-060202	BOLT, M6X 20 PLATED	6							N
(A=EXXX)											
50	1	26366-080002	NUT, M8	1							
51	1	26557-050102	SCREW, M5X10	3							
52	1	26777-120002	NUT, LOCK M12	1							
53	1	26757-060002	NUT, LOCK M6	2							
53-1	1	26756-060002	NUT, LOCK M6	2							N
(A=EXXX)											

Fig.39. STARTING MOTOR(COMPONENT PARTS)

D29100-77100
U71341-93100



(A)=3TN78L-DWWCH

(B)=

(C)=

(D)=

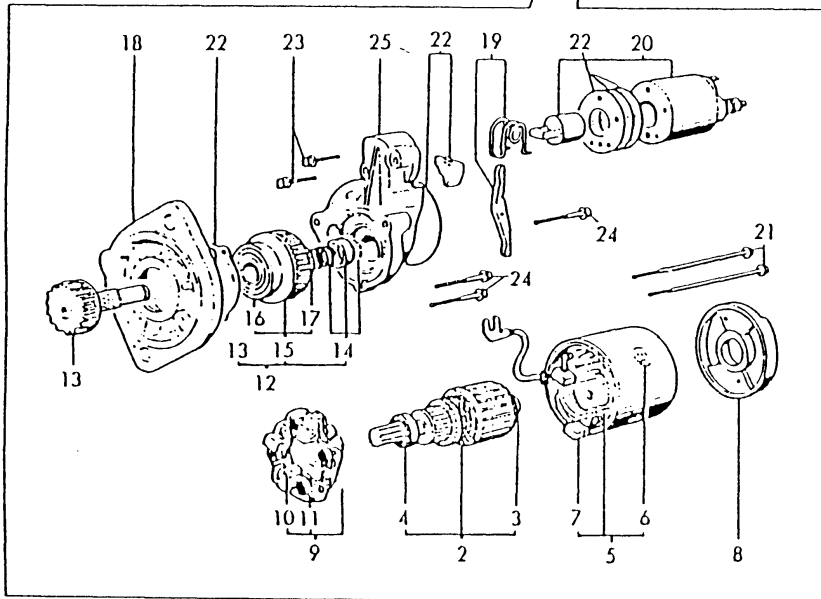
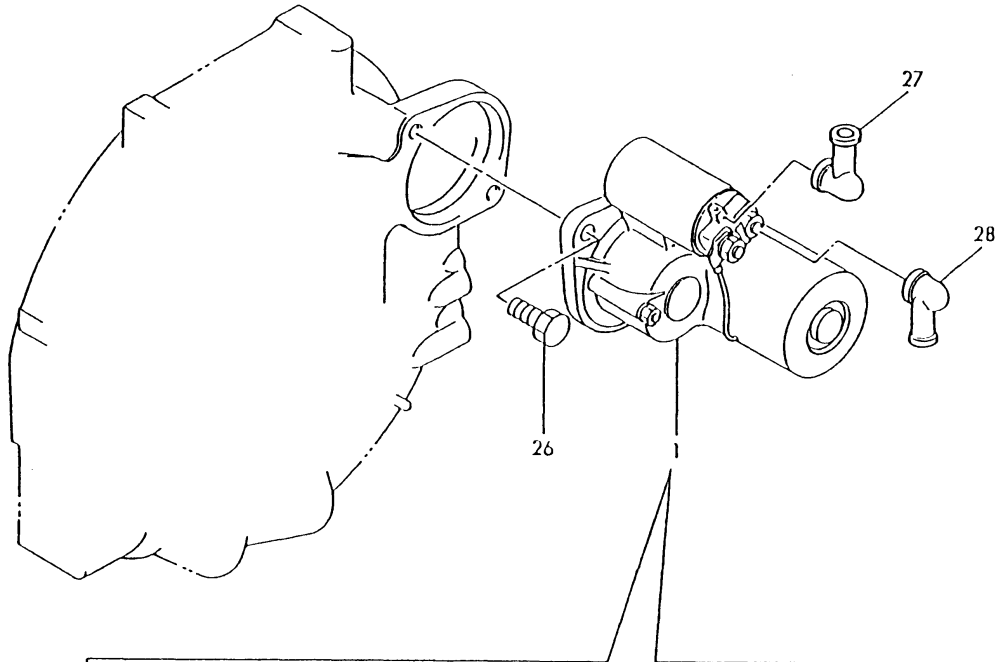
(E)=

(F)=

No.	Lev.	Parts No.	Description	Q'ty						I	R
				(A)	(B)	(C)	(D)	(E)	(F)		
1	1	171008-77010	STARTER, S114-483	1							
2	2	X211431009	ARMATURE ASSY	1							
2-1	2	171008-77400	ARMATURE ASSY	1							R
(A=*1986.02)											
3	3	X211415502	BEARING, BALL	1							
3-1	3	171008-77410	BEARING	1							R
(A=*1986.02)											
4	3	X211425502	BEARING, BALL	1							
4-1	3	171008-77420	BEARING	1							R
(A=*1986.02)											
5	3	X211482003	COIL ASSY, FIELD	1							
5-1	3	171008-77430	YOKE ASSY	1							R
(A=*1986.02)											
6	4	X21143215	SCREW, CORE	4							
6-1	4	171008-77450	SCREW	4							R
(A=*1986.02)											
7	4	X211469002	BRUSH (+)	2							
7-1	4	171008-77460	BRUSH (+)	2							R
(A=*1986.02)											
8	2	X211483003	COVER	1							
8-1	2	171008-77500	COVER, REAR	1							R
(A=*1986.02)											
9	2	X211429007	HOLDER ASSY, BRUSH	1							
9-1	2	171008-77470	HOLDER ASSY, BRUSH	1							R
(A=*1986.02)											
10	3	X211459002	BRUSH (-)	2							
10-1	3	171008-77480	BRUSH (-)	2							R
(A=*1986.02)											
11	3	X21148314	SPRING, BRUSH	4							
11-1	3	171008-77490	SPRING, BRUSH	4							R
(A=*1986.02)											
12	2	X211455505	PINION CLUTCH ASSY	1							
12-1	2	171008-77650	PINION ASSY	1							R
(A=*1986.02)											
13	3	X211495009	SHAFT	1							
13-1	3	171008-77660	SHAFT	1							R
(A=*1986.02)											
14	3	X211429006	STOPPER SET	1							
14-1	3	171008-77670	STOPPER SET	1							R
(A=*1986.02)											
15	3	X211425505	CLUTCH ASSY	1							
15-1	3	171008-77720	CLUTCH ASSY	1							R
(A=*1986.02)											
16	4	X211435502	BALL BEARING	1							
16-1	4	171008-77730	BEARING, BALL	1							R
(A=*1986.02)											
17	4	X211445502	BALL BEARING	1							
17-1	4	171008-77740	BEARING	1							R
(A=*1986.02)											
18	2	X211476504	HOUSING ASSY, GEAR	1							
18-1	2	171008-77510	CASE, GEAR	1							R

Fig.39. STARTING MOTOR(COMPONENT PARTS)

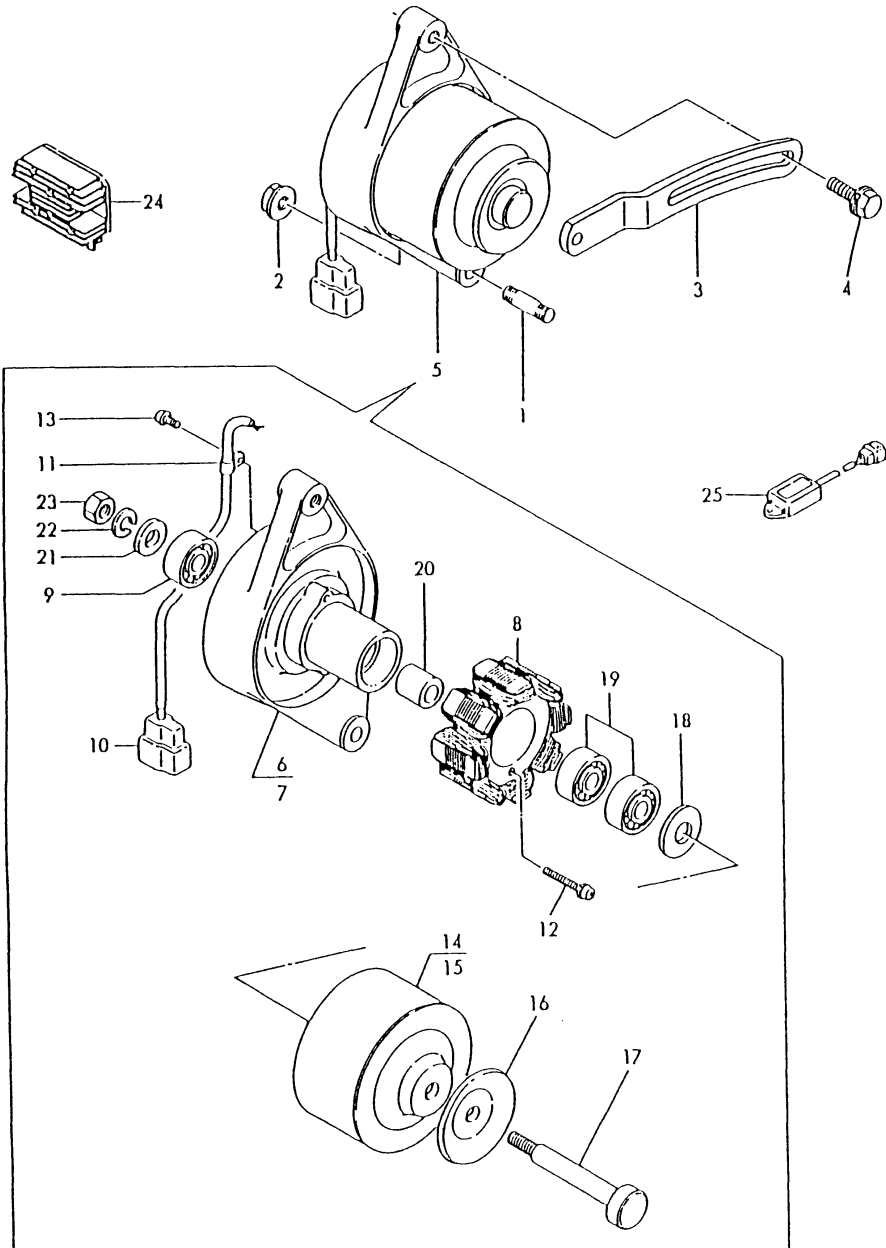
D29100-77100
U71341-93100



No.	Lev.	Parts No.	Description	Q'ty						I	R
				(A)	(B)	(C)	(D)	(E)	(F)		
		(A=*1986.02)									
19	2	X211446012	LEVER, SHIFT	1							
19-1	2	171008-77540	LEVER SET	1							R
		(A=*1986.02)									
20	2	X211447007	SWITCH, MAGNETIC	1							
20-1	2	171008-77530	SWITCH, MAGNETIC	1							R
		(A=*1986.02)									
21	2	X211458005	BOLT, THROUGH	2							
21-1	2	171008-77640	BOLT, THROUGH	2							R
		(A=*1986.02)									
22	2	X211448004	COVER KIT	1							
22-1	2	171008-77570	COVER KIT, DUST	1							R
		(A=*1986.02)									
22-2	2	171008-77571	COVER KIT, DUST	1							R
		(A=*1990.10)									
23	2	X21145866	BOLT	2							
23-1	2	26106-060322	BOLT, M6X 32 PLATED	2							N
		(A=*1986.02)									
24	2	X21142867	BOLT	3							
24-1	2	26106-060402	BOLT, M6X 40 PLATED	3							N
		(A=*1986.02)									
25	2	X211454002	HOUSING, CENTER	1							
25-1	2	171008-77520	HOUSING, CENTER	1							R
		(A=*1986.02)									
26	1	26116-120252	BOLT, M12X 25 PLATED	2							
27	1	124550-77020	COVER, TERMINAL	1							
28	1	124550-77030	COVER, TERMINAL	1							

Fig.40. GENERATOR(COMPONENT PARTS)

D29410-77200
 D29400-77300
 U71341-93100



(A)=3TN78L-DWWCH

(B)=

(C)=

(D)=

(E)=

(F)=

No.	Lev.	Parts No.	Description	Q'ty						I	R
				(A)	(B)	(C)	(D)	(E)	(F)		
1	1	121450-01570	STUD	1							
2	1	26366-100002	NUT, M10	1							
3	1	129410-77330	ADJUSTER	1							
3-1	1	129400-77330	ADJUSTER	1							S
		(A=*1986.01)									
4	1	26014-080252	BOLT, M8X 25	1							
5	1	171301-77200	DYNAMO ASSY	1							
5-1	1	171301-77201	DYNAMO ASSY, 15A	1							N
		(A=*1986.01)									
6	2	XM08137	PLATE ASSY	1							
7	3	XM08138	PLATE	1							
8	3	XM08180	STATOR SET	1							
9	3	XM27436	BEARING, BALL	1							
10	3	XM17878	COUPLER	1							
11	3	XM36410	CLAMP	1							
12	3	26022-040252	SCREW, M4X25	2							
13	3	XYSPS4008	SCREW	1							
14	2	XM82184	FLYWHEEL ASSY	1							
15	3	XM82110	FLYWHEEL	1							
16	3	XM72174	PULLEY	1							
17	3	XM72664	SHAFT	1							
18	3	XM37336	WASHER	1							
19	3	XM27436	BEARING, BALL	2							
20	2	106383-44720	SPACER	1							
21	2	106383-44730	WASHER	1							
22	2	22212-100000	SPRING WASHER 10	1							
23	2	26716-100002	NUT, M10	1							
24	1	119660-77710	LIMITER, CURRENT 15A	1							
24-1	1	119660-77711	LIMITER, CURRENT 15A	1							N
		(A=*1999.07.)									
25	1	128300-77920	TIMER	1							

Fig.41. AIR HEATER

029100-77501

(A)=3TN78L-DWWCH

(B)=

(C)=

(D)=

(E)=

(F)=

No.	Lev.	Parts No.	Description	Q'ty						I	R
				(A)	(B)	(C)	(D)	(E)	(F)		
1	1	129120-77500	HEATER	1							
1-1	1	129120-77501	HEATER	1							N
			(A=*1985.08)								
2	1	129150-77510	GASKET	1							
2-1	1	129150-77511	GASKET	1							N
			(A=*1990.06)								
3	1	26106-080352	BOLT, M8X 35 PLATED	4							

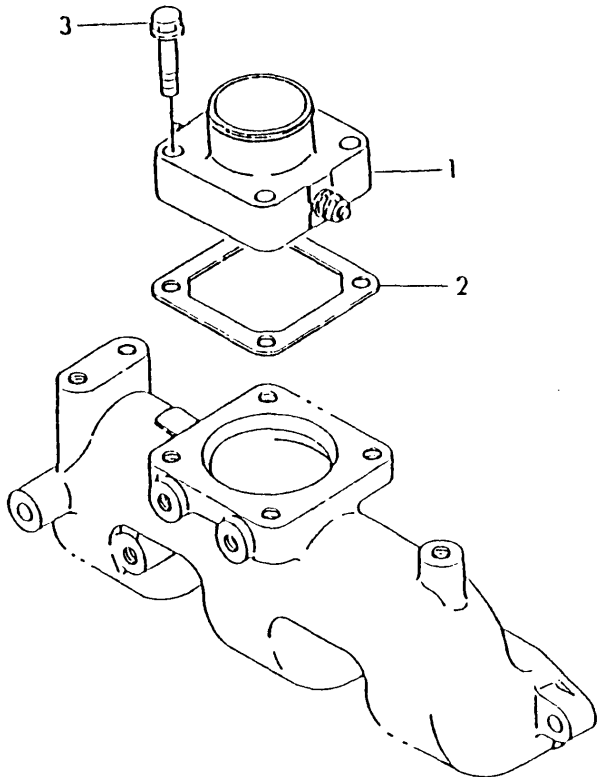
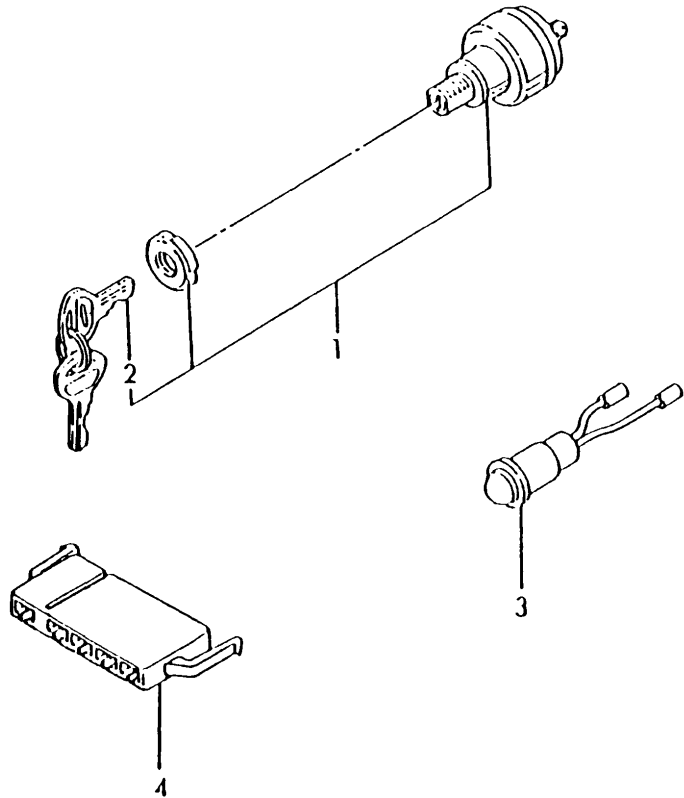


Fig.42. ELECTRIC PARTS

U71341-93100



(A)=3TN78L-DWWCH
(B)=
(C)=

(D)=
(E)=
(F)=

No.	Lev.	Parts No.	Description	Q'ty						I	R
				(A)	(B)	(C)	(D)	(E)	(F)		
1	1	121400-91251	SWITCH, STARTER	1							
2	2	121400-91271	KEY, SWITCH	1							
3	1	124732-77970	LAMP, PILOT	1							
4	1	171301-77720	COUPLER	1							

Fig.43. TOOLS

U71341-93100

(A)=3TN78L-DWWCH

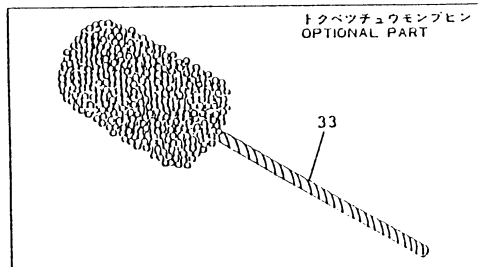
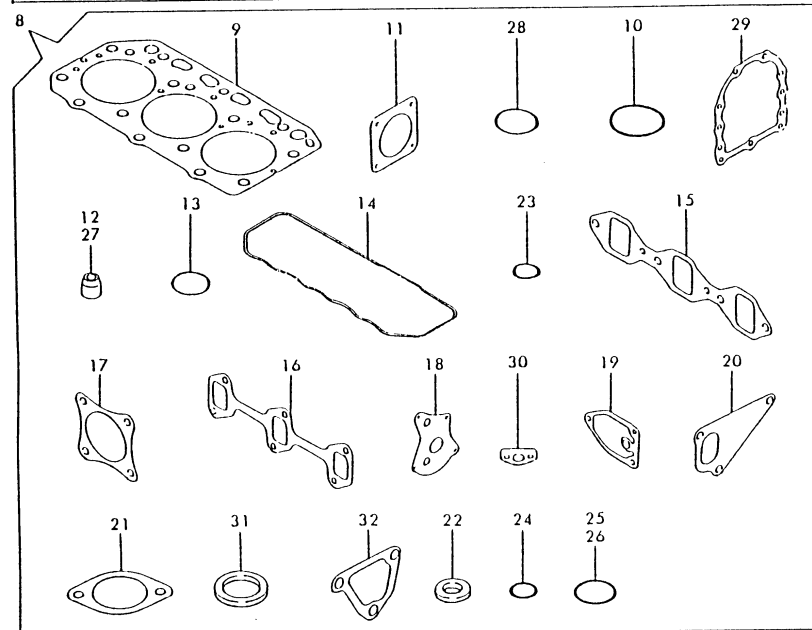
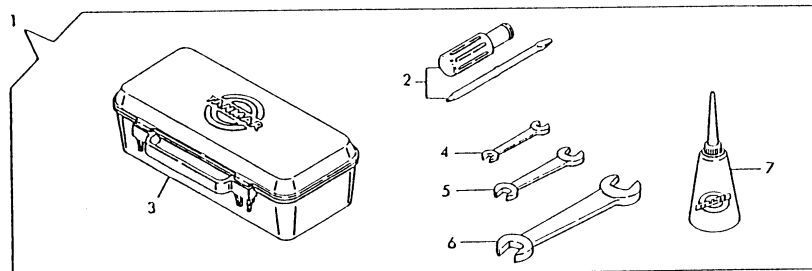
(B)=

(C)=

(D)=

(E)=

(F)=



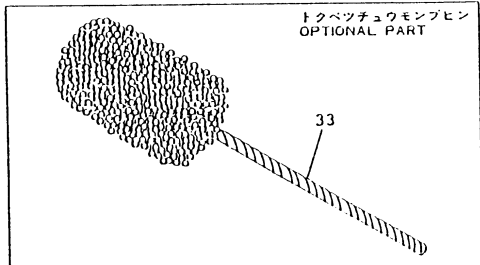
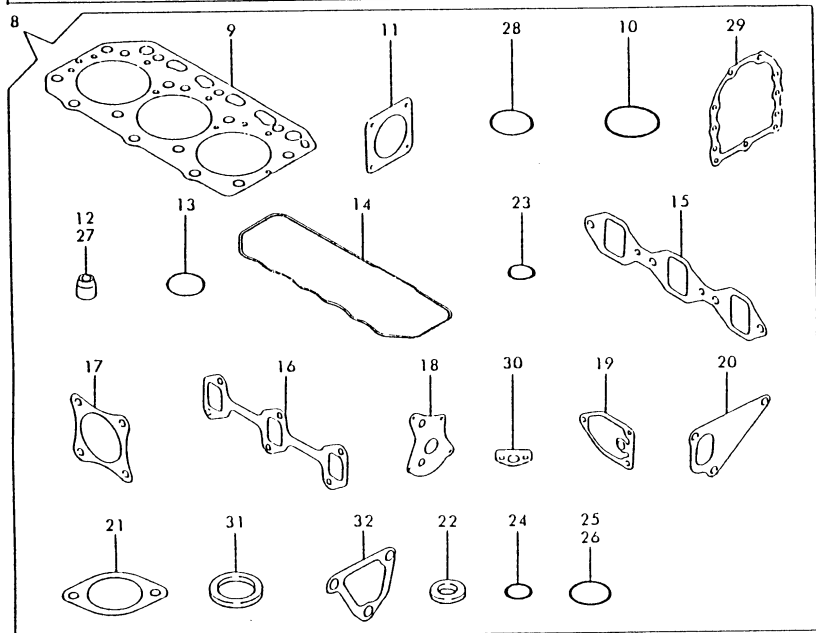
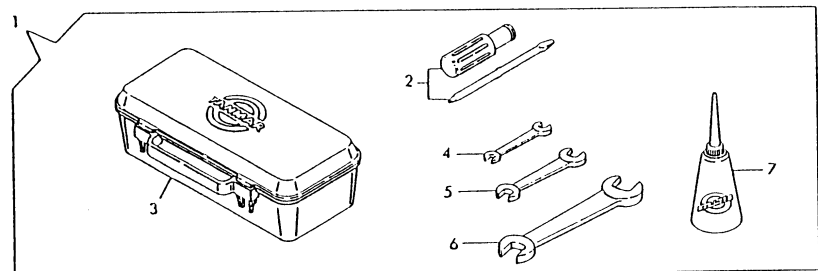
No.	Lev.	Parts No.	Description	Q'ty						I	R
				(A)	(B)	(C)	(D)	(E)	(F)		
1	1	171001-93100	BOX, TOOL	1							
2	2	104200-92350	DRIVER, SCREW	1							
3	2	104200-92600	BOX, TOOL	1							
4	2	28110-100120	SPANNER, 10X12	1							
5	2	28110-140170	SPANNER, 14X17	1							
6	2	28110-190220	SPANNER, 19X22	1							
7	2	28210-000140	OILER	1							
8	1	729103-92600	GASKET SET	1							1
8-1	1	729103-92601	GASKET SET	1							N 1
(A=EXXX)											
9	2	129103-01320	GASKET, HEAD T=1.4	1							
10	2	24311-000320	O-RING, 1AP32.0	1							
11	2	124240-01882	GASKET	1							
11-1	2	124240-01883	GASKET	1							N
(A=*1990.01)											
12	2	121400-11340	SEAL, VALVE STEM	6							
12-1	2	121400-11340	SEAL, VALVE STEM	3							K
(A=*1986.02)											
13	2	121420-01760	O-RING	1							
13-1	2	24311-000320	O-RING, 1AP32.0	1							N
(A=*1988.05)											
14	2	129150-11310	GASKET, BONNET	1							
15	2	129150-12110	GASKET, MANIFOLD	1							
15-1	2	129150-12111	GASKET, MANIFOLD	1							N
(A=*1990.06)											
16	2	129150-13110	GASKET	1							
17	2	121000-13200	GASKET, SILENCER	1							
18	2	129150-32020	GASKET, PUMP	1							
19	2	129150-35110	GASKET	1							
19-1	2	129150-35111	GASKET	1							N
(A=*1990.06)											
20	2	129100-42020	GASKET, WATER PUMP	1							
21	2	129795-49550	GASKET	1							
21-1	2	129795-49551	GASKET	1							N
(A=*1990.06)											
22	2	124465-44950	GASKET, 16	1							
23	2	24311-000120	O-RING, 1AP12.0	3							
24	2	24311-000160	O-RING, 1AP16.0	2							
25	2	24341-000250	O-RING, 1AS25.0	1							
25-1	2	24341-000240	O-RING, 1AS24.0	1							S
(A=*1986.03)											
26	2	24311-000260	O-RING, 1AP26.0	1							
26-1	2	24341-000240	O-RING, 1AS24.0	1							S
(A=*1989.01)											
27	2	124460-11340	SEAL, VALVE STEM	3							W
(A=*1986.02)											
28	2	121850-51960	O-RING	1							
29	2	129150-01660	GASKET	1							Z
(A=EXXX)											
30	2	129150-35040	GASKET	1							
30-1	2	129150-35041	GASKET	1							N

Remarks

(1) OPTIONAL PART.

Fig.43. TOOLS

U71341-93100



Remarks
 (1) OPTIONAL PART.

No.	Lev.	Parts No.	Description	Q'ty						I	R
				(A)	(B)	(C)	(D)	(E)	(F)		
(A=*1990.06)											
31	2	129150-49810	GASKET, THERMOSTAT	1							
31-1	2	129150-49811	GASKET, THERMOSTAT	1						N	
(A=*1990.06)											
32	2	129100-49840	GASKET	1							
33	1	129400-92420	HONE	1						1	

Parts No. Index

Parts No.	Fig. No.	Ref. No.
101304-59020	36	1
101720-55750	34	14
		26
102103-55520	34	21
103338-11190	10	13
103854-59201	36	4
104200-55321	34	2
		17
104200-55330	34	3
		18
104200-55341	34	19
104200-55750	34	4
		27
104200-59170	36	3
104200-92350	43	2
104200-92600	43	3
104511-11370	10	16
105025-59530	36	7
106383-44720	40	20
106383-44730	40	21
110250-55610	34	22
114250-53080	33	3
114250-53120	33	5
114250-53130	33	7
114250-53140	33	9
114250-53210	33	8
114250-53400	33	6
119620-01750	3	4 -1
119625-11870	10	31
119625-11880	10	32
119625-11900	10	33
119660-77710	40	24
119660-77711	40	24 -1
119810-51040	31	2
119865-21600	17	3
119865-35300	25	4
120130-11860	10	3
121000-13200	14	6
	43	17
121023-01550	6	1
121100-22400	18	4
121111-21501	17	1
121120-12531	13	3
121120-12541	13	4
121120-12561	13	5
121120-12571	13	6
121120-12901	13	7
121250-44901	30	5
121250-49121	30	12
121250-51550	37	1

Parts No.	Fig. No.	Ref. No.
121250-59550	37	1 -1
121252-12501	13	1
121252-12521	13	2
121254-55510	34	20
121256-44600	28	14
121257-55700	34	16
121257-55720	34	23
121257-55731	34	24 -1
121257-57731	34	24
121400-11340	10	14
		14 -1
	43	12
		12 -1
121400-91251	42	1
121400-91271	42	2
121420-01760	11	2
	43	13
121450-01560	2	3
121450-01570	40	1
121450-42450	30	6
121450-49100	30	10
121450-49110	30	9 A
121520-34810	23	2
121550-23200	19	3
121550-49111	30	1
121850-11860	10	5
	27	3
121850-21680	16	7
121850-51960	2	17
	43	28
122117-51560	31	34
122710-51050	31	3
122710-51090	31	5
123682-44210	28	7
124001-42290	28	1
124060-59380	36	5
124066-59100	37	2
124160-01751	2	4
	11	1
124160-01910	1	5
124160-11360	11	5
124160-39140	26	3
124160-39450	26	4
124240-01871	2	7
124240-01882	2	8
	43	11
124240-01883	2	8 -1
	43	11 -1
124250-11880	27	4
124450-44510	28	8

Parts No.	Fig. No.	Ref. No.
124450-44530	28	9
124450-44550	28	13
124450-44560	28	11
124460-11340	10	20 A
	43	27
124465-44950	30	4
		7
	43	22
124550-51350	31	20
124550-51370	31	21
124550-59820	26	6
124550-66370	38	2
124550-77020	39	27
124550-77030	39	28
124574-44761	28	4
124732-42290	28	1 -1
124732-77970	42	3
124736-07900	9	1
124764-44810	28	12
124766-59050	36	2
124770-11770	29	6
124950-51190	31	10
128170-51300	31	17
128300-77920	40	25
129100-01100	1	16
129100-01580	3	2 -1
	5	4 -1
	16	4 B
	17	4 -1
		4 -2
129100-01640	5	1
129100-01730	4	4
129100-01770	4	1 -1
129100-01790	4	3 A
129100-11100	10	9
129100-11130	10	10
129100-11300	11	3
129100-13110	14	1
129100-23910	19	5
129100-25060	20	1
129100-25061	20	1 -1
129100-25900	21	1
129100-35300	24	2
129100-35301	24	2 -1
129100-42000	27	1
129100-42001	27	1 -1
129100-42002	27	1 -2
129100-42020	27	2
	43	20
129100-49050	30	2

Parts No.	Fig. No.	Ref. No.
129100-49800	29	3
129100-49820	29	4
129100-49830	29	5
129100-49840	29	11
	43	32
129100-51940	38	3
129100-52100	32	2
129100-53000	33	2
129100-55620	34	1
129100-55650	34	11
129100-55670	34	6
129100-55680	34	7
129100-55690	34	9
129100-55700	34	12
129100-59560	37	4
129100-59810	35	3
129100-59820	35	4
129100-59830	35	5
129100-59951	37	6
129100-59991	37	7
129100-61400	38	18
129100-61440	38	19
129100-61500	38	25
129100-61821	38	33 -1
129100-61930	38	35
129103-01000	1	3 A
129103-01320	1	2
	43	9
129103-11000	10	1 A
129120-77500	41	1
129120-77501	41	1 -1
129150-01200	1	1
129150-01660	5	3
	43	29
129150-02020	1	10
	7	2
129150-02450	1	14
129150-02800	1	11 -1
	7	3 -1
129150-02870	7	5
129150-02930	1	12 -1
	7	4 -1
129150-02940	7	8
129150-03010	8	1
129150-03070	8	3
129150-03080	8	2
129150-03100	8	7
129150-11050	10	2
129150-11230	10	29
129150-11280	10	26

Parts No. Index

Parts No.	Fig. No.	Ref. No.
129150-11290	10	22
129150-11310	11	4
	43	14
129150-11370	10	16 -1
129150-11750	10	28
129150-11810	10	4
129150-12100	12	1
129150-12110	12	2
	43	15
129150-12111	12	2 -1
	43	15 -1
129150-13110	14	2
	43	16
129150-14010	15	1
129150-14011	15	1 -1
129150-14100	15	2
129150-14101	15	2 -1
129150-14200	15	3
129150-14400	15	4
129150-21200	16	2
129150-22300	18	3
129150-23600	19	4 -1
129150-23610	19	6
129150-25065	20	3
129150-25100	20	2
129150-25101	20	2 -1
129150-32000	22	1
129150-32020	22	2
	43	18
129150-35040	24	1
	43	30
129150-35041	24	1 -1
	43	30 -1
129150-35101	25	1
129150-35110	25	2
	43	19
129150-35111	25	2 -1
	43	19 -1
129150-35150	25	3
129150-35350	25	5
129150-39450	26	5
129150-49810	29	10
	43	31
129150-49811	29	10 -1
	43	31 -1
129150-59120	35	1
129150-59130	35	2
129150-59580	37	5
129150-77510	41	2
129150-77511	41	2 -1

Parts No.	Fig. No.	Ref. No.
129155-11241	10	21
129155-11260	10	24
129155-11270	10	25
129155-49800	29	9
129155-51020	31	29 -1
129155-51140	31	7
129155-51180	31	9
129155-51200	31	11
129155-51250	31	13
129155-51270	31	15
129155-51280	31	16
	38	1
129155-51320	31	18
129155-51340	31	19
129155-51370	31	22
129155-51380	31	23
129155-51390	31	24
129155-51400	31	25
129155-51410	31	26
	26	-1
129155-51420	31	57
129155-51450	31	27
129155-51500	31	28
129155-51520	31	30
129155-51521	31	30 -1
129155-51530	31	31
129155-51540	31	32
129155-51550	31	33
129155-51570	31	36
129155-51580	31	37
129155-51591	31	38
129155-51600	31	39
129155-51700	31	40
129155-51710	31	41
129155-51750	31	42
129155-51760	31	43
129155-51790	31	44
129155-52050	32	1
129155-61010	38	5
129155-61011	38	5 -1
129155-61050	38	6
129155-61060	38	7
129155-61070	38	8
129155-61090	38	28
129155-61120	38	9
129155-61130	38	10
129155-61140	38	11
129155-61150	38	12
129155-61160	38	13
129155-61170	38	14

Parts No.	Fig. No.	Ref. No.
129155-61180	38	15
129155-61201	38	16
129155-61341	38	17
129155-61430	38	4
129155-61450	38	20
129155-61460	38	21
129155-61470	38	22
129155-61480	38	23
129155-61490	38	24
129155-61530	38	26
129155-61540	38	27
129155-61800	38	31
129155-61802	38	31 -1
129155-61810	38	32
129155-61820	38	33
129155-61830	38	34
129155-61950	38	36
129156-51910	31	46
129350-49530	29	1
129400-01500	2	1
129400-01520	2	2
129400-51200	31	6
129400-77330	40	3 -1
129400-92420	43	33
129403-22090	18	1
129403-42380	28	2
129410-77330	40	3
129470-11080	10	8 A
		19
129470-11090	10	8 B
		20
129470-51060	31	4
129470-51080	31	47
		47 -1
129470-61650	38	29
129500-61400	38	18 -1
129500-61650	38	29 -1
129500-61700	38	30 -1
129500-61720	38	30
129555-59510	36	6
129795-01780	5	2
129795-01800	2	6
129795-01950	2	9
129795-02411	1	13
129795-11120	10	11
129795-11180	10	12
129795-21661	16	6
129795-49550	29	2
	43	21
129795-49551	29	2 -1

Parts No.	Fig. No.	Ref. No.
129795-49551	43	21 -1
160110-01870	3	4
171001-93100	43	1
171008-77010	39	1
171008-77400	39	2 -1
171008-77410	39	3 -1
171008-77420	39	4 -1
171008-77430	39	5 -1
171008-77450	39	6 -1
171008-77460	39	7 -1
171008-77470	39	9 -1
171008-77480	39	10 -1
171008-77490	39	11 -1
171008-77500	39	8 -1
171008-77510	39	18 -1
171008-77520	39	25 -1
171008-77530	39	20 -1
171008-77540	39	19 -1
171008-77570	39	22 -1
171008-77571	39	22 -2
171008-77640	39	21 -1
171008-77650	39	12 -1
171008-77660	39	13 -1
171008-77670	39	14 -1
171008-77720	39	15 -1
171008-77730	39	16 -1
171008-77740	39	17 -1
171016-12590	13	8
171051-01921	1	4
171081-55910	34	28
171301-01600	3	1
171301-01640	4	2
171301-49010	30	8
171301-49020	30	9
171301-77200	40	5
171301-77201	40	5 -1
171301-77720	42	4
171340-21580	17	2
171340-21650	16	5
171340-44740	28	3
171341-51960	38	3 -1
171350-03090	8	6
171420-34820	23	1
171440-44500	28	6
174100-54120	31	14
174307-51170	31	8
174307-51560	31	35
194990-22050	14	7
22117-040000	38	39
22190-100000	38	38

Parts No. Index

Parts No.	Fig. No.	Ref. No.
22212-100000	40	22
22217-050000	31	51
	38	40
22217-060000	31	52
22217-120000	21	2
22272-000040	38	41
22272-000060	38	42
22282-120000	38	43
22287-060000	31	53
22287-120000	31	54
	38	43 -1
22312-080160	3	2
	5	4
	17	4
22351-030016	38	44
22351-040010	16	3
		8
22351-050010	31	55
22351-060012	10	15
22360-050000	38	45
22512-070140	15	5
	16	4
23000-013000	36	8
23000-016000	30	3
23010-038000	30	13
23061-070230	28	10
23414-050000	38	46
23414-080000	26	1
		7
23414-100000	26	8
23414-120000	37	3
23418-060000	34	15
		29
23871-010000	1	6
23871-030000	10	6
	29	7
23887-100002	38	48
24311-000120	11	6
	43	23
24311-000160	2	10
	25	6
	30	11
	34	13
	43	24
24311-000260	6	2
	43	26
24311-000320	2	5
	11	2 -1
	43	10
		13 -1

Parts No.	Fig. No.	Ref. No.
24311-240100	34	5
		30
24321-000650	34	10
24341-000160	31	48
		48 -1
24341-000240	4	3 -1
	6	2 -1
	43	25 -1
		26 -1
24341-000250	4	3
	43	25
24341-000500	8	4
26014-060252	28	5 -1
26014-080252	40	4
26022-040252	40	12
26022-050102	31	49 -1
26022-060162	31	50 -1
26106-060122	6	3
26106-060202	28	5
	38	49 -1
26106-060322	39	23 -1
26106-060402	39	24 -1
26106-080122	2	11
	26	2
26106-080142	9	2
26106-080162	1	15
	2	18
	4	6
	8	5
26106-080202	2	20
	25	7
	29	12
26106-080252	4	5
	10	34
	12	3
	29	13
26106-080302	5	5
26106-080352	5	6
	24	3 -1
	41	3
26106-080452	2	12
	4	7
	20	4
26106-080502	4	8
	10	35
	29	14
26106-080552	2	13
26106-080602	14	3
	27	5
	29	15

Parts No.	Fig. No.	Ref. No.
26106-080652	34	31
26106-080802	14	4
26106-080852	2	14
26107-060202	38	49
26116-050309	31	56
26116-060162	29	8
26116-080352	24	3
26116-120252	39	26
26206-100252	3	3
26206-100302	3	5
		5 -1
26216-060142	31	29
26216-060202	10	8 C
		17
26216-080222	14	5
26216-080802	14	3 -1
26226-080182	10	30
26366-060002	10	18 -1
26366-080002	2	15
	38	50
26366-100002	40	2
26367-060002	10	18
26450-060252	22	3
26557-050102	31	49
	38	51
26557-060162	31	50
26716-060002	31	45
26716-100002	40	23
26716-120002	21	3
26756-060002	38	53 -1
26757-060002	38	53
26776-120002	38	37
26777-120002	38	52
27231-500000	1	7 -1
27233-500000	1	7
27241-100000	10	23
27241-120000	1	8 -1
27241-220000	10	7
27241-300000	1	9 -1
27241-400000	10	8
27243-120000	1	8
27243-300000	1	9
27310-080001	10	13 -1
28110-100120	43	4
28110-140170	43	5
28110-190220	43	6
28210-000140	43	7
43400-500390	36	9
	38	46 -1
43400-500410	2	16

Parts No.	Fig. No.	Ref. No.
43400-500410	2	19
43400-500430	38	38 -1
43400-500450	38	47
43400-500490	31	59
711100-51540	31	12
729100-53100	33	1
729102-21700	16	1 -1
729103-01560	1	3
	7	1
729103-11700	10	1
729103-92600	43	8
729103-92601	43	8 -1
729150-02800	1	11
	7	3
729150-02930	1	12
	7	4
729150-11651	10	27
729150-21700	16	1
729150-23600	19	4
729150-23700	19	1
729402-11650	10	27 -1
729402-23100	19	1 -1
729403-22500	18	2 -1
729403-22900	18	5
729550-22500	18	2
729550-22950	18	7
771341-01540	4	1
771341-51410	31	1
X211415502	39	3
X211425502	39	4
X211425505	39	15
X21142867	39	24
X211429006	39	14
X211429007	39	9
X211431009	39	2
X21143215	39	6
X211435502	39	16
X211445502	39	17
X211446012	39	19
X211447007	39	20
X211448004	39	22
X211454002	39	25
X211455505	39	12
X211458005	39	21
X21145866	39	23
X211459002	39	10
X211469002	39	7
X211476504	39	18
X211482003	39	5
X211483003	39	8

Parts No. Index

Parts No.	Fig. No.	Ref. No.
X21148314	39	11
X211495009	39	13
XM08137	40	6
XM08138	40	7
XM08180	40	8
XM17878	40	10
XM27436	40	9
		19
XM36410	40	11
XM37336	40	18
XM72174	40	16
XM72664	40	17
XM82110	40	15
XM82184	40	14
XYSPS4008	40	13

Parts No.	Fig. No.	Ref. No.
-----------	----------	----------

Parts No.	Fig. No.	Ref. No.
-----------	----------	----------

Parts No.	Fig. No.	Ref. No.
-----------	----------	----------