

OCD10-M39002EN

PREFACE

1. This Parts Catalog is the 3rd edition of DGY17/20(L40) Diesel Engine for SHIN-DAIWA.

Pub. No. : 000Y00D3902

Published : January, 1991

2. Model name

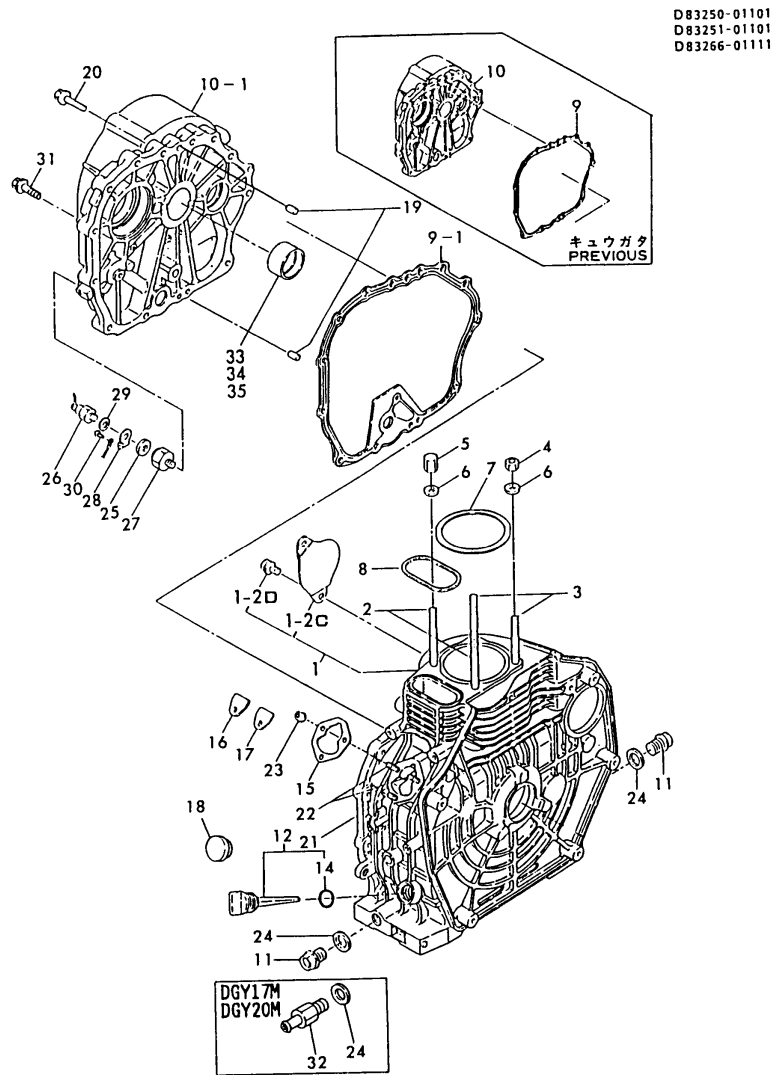
Engine model	Vehicle		Vehicle made by
	Products	Model name	
DGY17/20(L40)	GENERATOR	—	SHIN-DAIWA

Contents

Fig. No.	Fig. Name
DGY17/20(-E)(M)	
1.	CYLINDER BLOCK
2.	LABELS
3.	FRAME & BATTERY (DGY17/20(E))
4.	SOUND-PROOF CASE(UP TO SEP.1987)
5.	SOUND-PROOF CASE(FROM OCT.1987)
6.	CYLINDER HEAD
7.	BONNET & AIR CLEANER (DGY17/20(E))
8.	BONNET & AIR CLEANER (DGY17M/20M)
9.	MUFFLER
10.	CRANKSHAFT,CAMSHAFT & BEARING
11.	PISTON & CONNECTING ROD
12.	L.O.PUMP/STRAINER & GOVERNOR
13.	COOLING & STARTING DEVICE (DGY17/20(E))
14.	COOLING DEVICE (DGY17M/20M)
15.	FUEL INJECTION PUMP & VALVE
16.	FUEL TANK & PIPE (DGY17/20(E))
17.	FUEL TANK & PIPE (DGY17M/20M)
18.	CONTROL DEVICE (DGY17/20(E))
19.	CONTROL DEVICE (DGY17M/20M)
20.	STARTING MOTOR & DYNAMO
21.	GENERATOR
26.	(21A)RECTIFIER & HARNESS(SPARE PARTS)
22.	PANEL (DGY17/20)
23.	PANEL (DGY17E/20E)

Fig. No.	Fig. Name
24.	PANEL (DGY17M/20M)
25.	TOOLS & GASKET SET

Fig.1. CYLINDER BLOCK



D83250-01101
D83251-01101
D83266-01111

(A)=DGY17
(B)=DGY20
(C)=DGY17-E

(D)=DGY20-E
(E)=DGY17M
(F)=DGY20M

No.	Lev.	Parts No.	Description	Q'ty						I	R
				(A)	(B)	(C)	(D)	(E)	(F)		
1	1	114250-01020	BLOCK ASSY, CYLINDER	1	1	1	1	1	1		
1-1	1	714251-01560	BLOCK ASSY, CYLINDER	1				1			N
		(A=E/#S0102)		(E=E/#S0102)							
1-2	1	114250-99100	BLOCK ASSY, CYLINDER	1					1		N
		(A=E/#S0102)		(E=E/#S0102)							
1-2C	2	114350-01700	COVER	1	1	1	1	1	1		
1-2D	2	26106-100122	BOLT, M10X 12 PLATED	2	2	2	2	2	2		
1-3	1	714251-01562	BLOCK ASSY, CYLINDER	1				1			S
		(A=E/#S50001)		(E=E/#S50001)							
1-4	1	714251-01563	BLOCK ASSY, CYLINDER	1					1		N
		(A=E/#S0123)		(E=E/#S50072)							
2	1	114250-01200	BOLT, HEAD	2	2	2	2	2	2		
3	1	114250-01210	BOLT, HEAD	2	2	2	2	2	2		
4	1	114250-01220	NUT, CYLINDER HEAD	2	2	2	2	2	2		
5	1	114250-01250	NUT, CAP	2	2	2	2	2	2		
6	1	124950-01250	WASHER	4	4	4	4	4	4		
7	1	114250-01340	GASKET, HEAD	1	1	1	1	1	1		
8	1	114250-01380	O-RING	1	1	1	1	1	1		
9	1	114250-01410	GASKET, CRANK CASE	1	1	1	1	1	1		
9-1	1	114250-01411	GASKET, CRANK CASE	1				1			S
		(A=E/#S0882)		(E=E/#S0867)							
10	1	114261-01450	COVER, CRANK CASE	1	1	1	1	1	1		
10-1	1	114261-01451	COVER, CRANK CASE	1				1			S
		(A=E/#S0882)		(E=E/#S0867)							
11	1	105425-01690	PLUG, 16	2	2	2	2	2	2		
12	1	114250-01740	CAP ASSY, L72	1	1	1	1	1	1		
12-1	1	160710-01760	CAP ASSY, L82	1				1			S
		(A=E/#S0882)		(E=E/#S0867)							
14	2	24311-000180	O-RING, 1AP18.0	1	1	1	1	1	1		
15	1	114250-01800	SHIM SET	1	1	1	1	1	1		
16	1	114250-01830	COVER	1	1	1	1	1	1		
17	1	114250-01840	GASKET	1	1	1	1	1	1		
18	1	160110-01870	PLUG, RUBBER	1	1	1	1	1	1		
19	1	22312-080120	PIN, PARALLEL M8X12	2	2	2	2	2	2		
20	1	26106-060252	BOLT, M6X 25 PLATED	14	14	14	14	14	14		
21	1	26226-060182	STUD, M6X 18	1	1	1	1	1	1		
22	1	26226-060222	STUD, M6X 22	2	2	2	2	2	2		
23	1	26366-060002	NUT, M6	3	3	3	3	3	3		
24	1	43400-500490	SEAL WASHER 16S	2	2	2	2	2	2		
25	1	183366-08290	WASHER	1	1	1	1	1	1		
26	1	183250-39450	SWITCH, 1.0KG	1	1	1	1	1	1		
27	1	183366-39460	JOINT	1	1	1	1	1	1		
28	1	171022-39470	TERMINAL, EARTH	1	1	1	1	1	1		
29	1	22117-100000	WASHER, 10	1	1	1	1	1	1		
30	1	26557-040082	SCREW, M4X 8	1	1	1	1	1	1		
31	1	26106-080352	BOLT, M8X 35 PLATED	1	1	1	1	1	1		
32	1	183366-08350	NIPPLE, DRAIN						1		1
32-1	1	183366-08351	NIPPLE, DRAIN						1		S
				(E=E/#S0102)							
33	1	114250-02100	BEARING, MAIN	1	1	1	1	1	1		1
34	1	114250-02200	BEARING, 0.25 US	1	1	1	1	1	1		2

Remarks
(1) REPAIR PART.
(2) UNDER-SIZED PART.

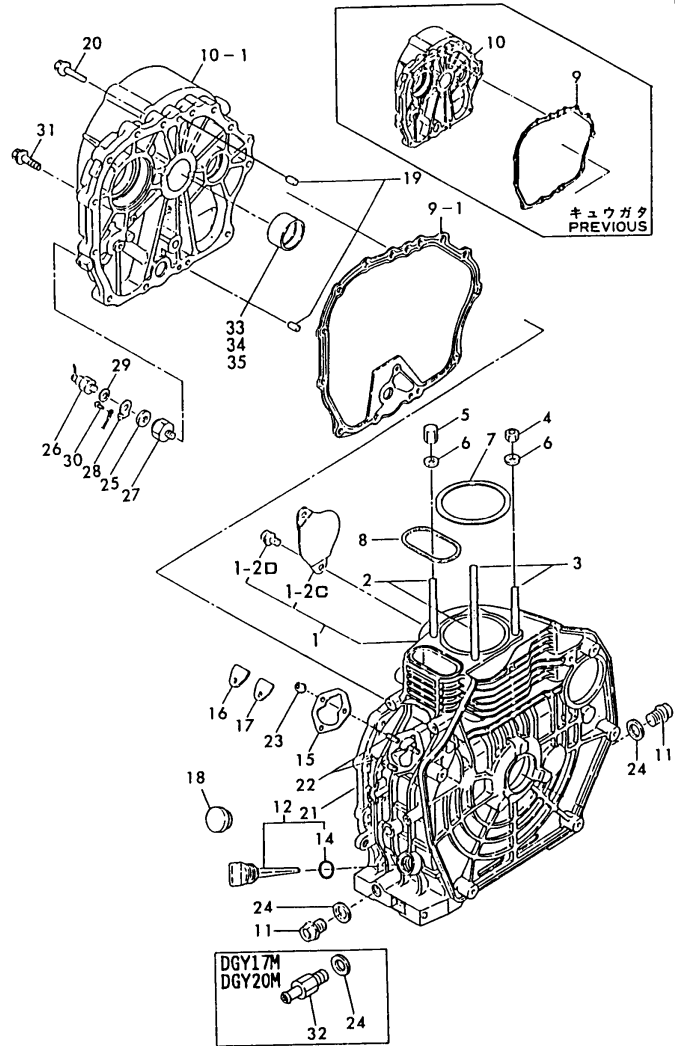
Fig.1. CYLINDER BLOCK

(A)=DGY17
(B)=DGY20
(C)=DGY17-E

(D)=DGY20-E
(E)=DGY17M
(F)=DGY20M

No.	Lev.	Parts No.	Description	Q'ty						I	R
				(A)	(B)	(C)	(D)	(E)	(F)		
35	1	114250-02210	BEARING, 0.50 US	1	1	1	1	1	1	2	

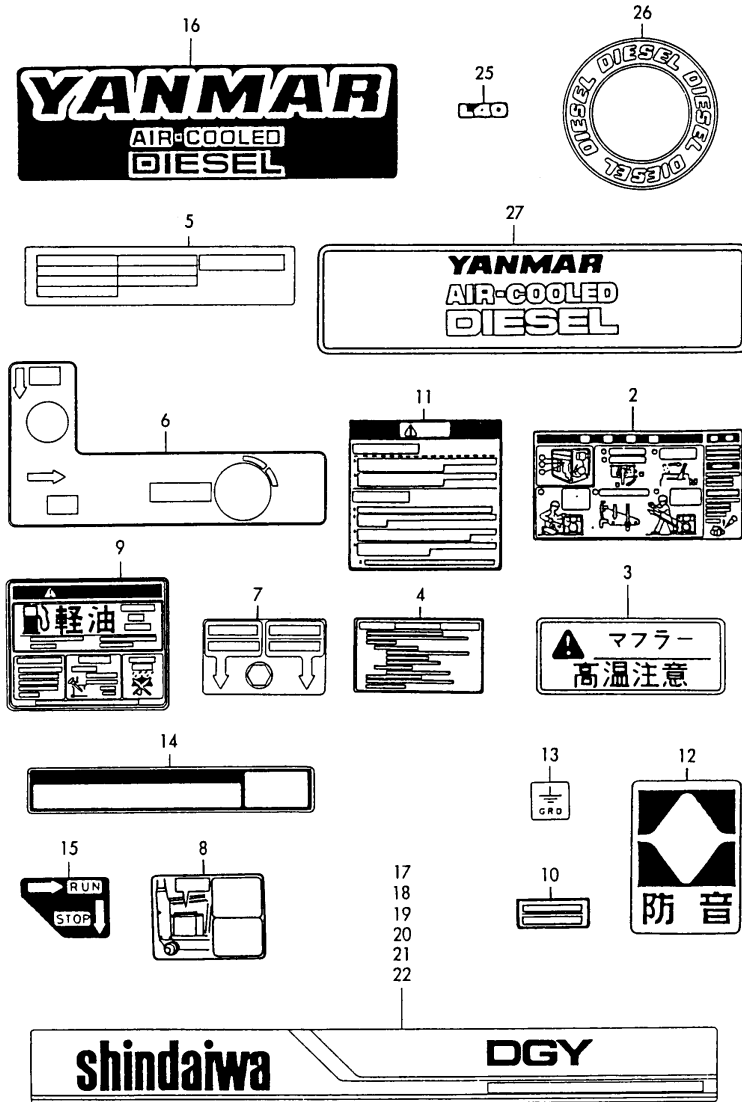
D83250-01101
D83251-01101
D83266-01111



Remarks
(1) REPAIR PART.
(2) UNDER-SIZED PART.

Fig.2. LABELS

D83250-07160 D83256-07360
 D83251-07160 D83260-07360
 D83250-07360 D83261-07360
 D83251-07360 D83266-07360



(A)=DGY17
 (B)=DGY20
 (C)=DGY17-E

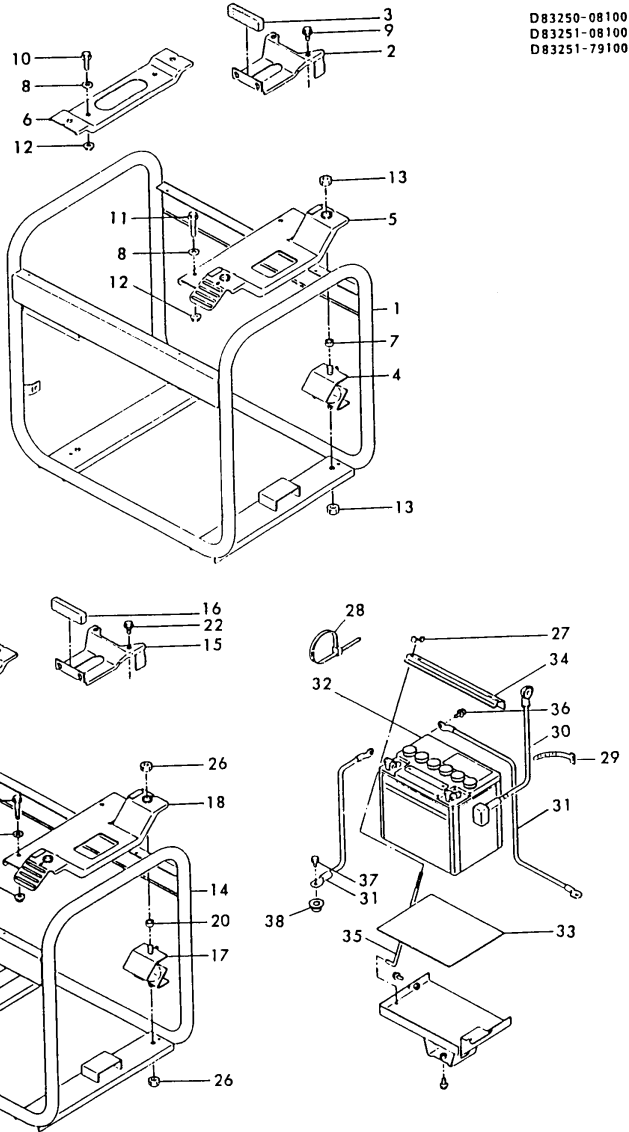
(D)=DGY20-E
 (E)=DGY17M
 (F)=DGY20M

No.	Lev.	Parts No.	Description	Q'ty						I	R
				(A)	(B)	(C)	(D)	(E)	(F)		
2	1	183250-07210	LABEL, OPERATION	1	1	1	1				
3	1	183520-07210	LABEL	1	1	1	1				
4	1	183366-07220	LABEL						1	1	
5	1	183260-07230	LABEL	1	1	1	1	1	1	1	
6	1	183266-07230	LABEL, POSITION SHIFT						1	1	
7	1	183366-07240	LABEL, DAIN						1	1	
8	1	183366-07251	LABEL, F.O. COCK						1	1	
9	1	183250-07260	LABEL, CAUTION	1	1	1	1	1	1	1	
10	1	183366-07280	LABEL, AIR CLEANER						1	1	
11	1	183366-07290	LABEL						1	1	
12	1	183356-07310	LABEL						2	2	
13	1	183210-07390	LABEL, G.R.D.						1	1	
14	1	183250-07450	LABEL	1	1	1	1	1	1	1	
15	1	183250-07480	LABEL, RUN-STOP	1	1	1	1				
16	1	183250-07750	LABEL						1	1	
17	1	183250-07900	LABEL	1							
18	1	183251-07900	LABEL			1					
19	1	183256-07900	LABEL						1		
20	1	183260-07900	LABEL		1						
21	1	183261-07900	LABEL				1				
22	1	183266-07900	LABEL							1	
25	1	183250-07120	LABEL, L40	1	1	1	1				
26	1	114261-07350	LABEL	1	1	1	1				
27	1	183250-07750	LABEL	1	1	1	1				

Fig.3. FRAME & BATTERY (DGY17/20(E))

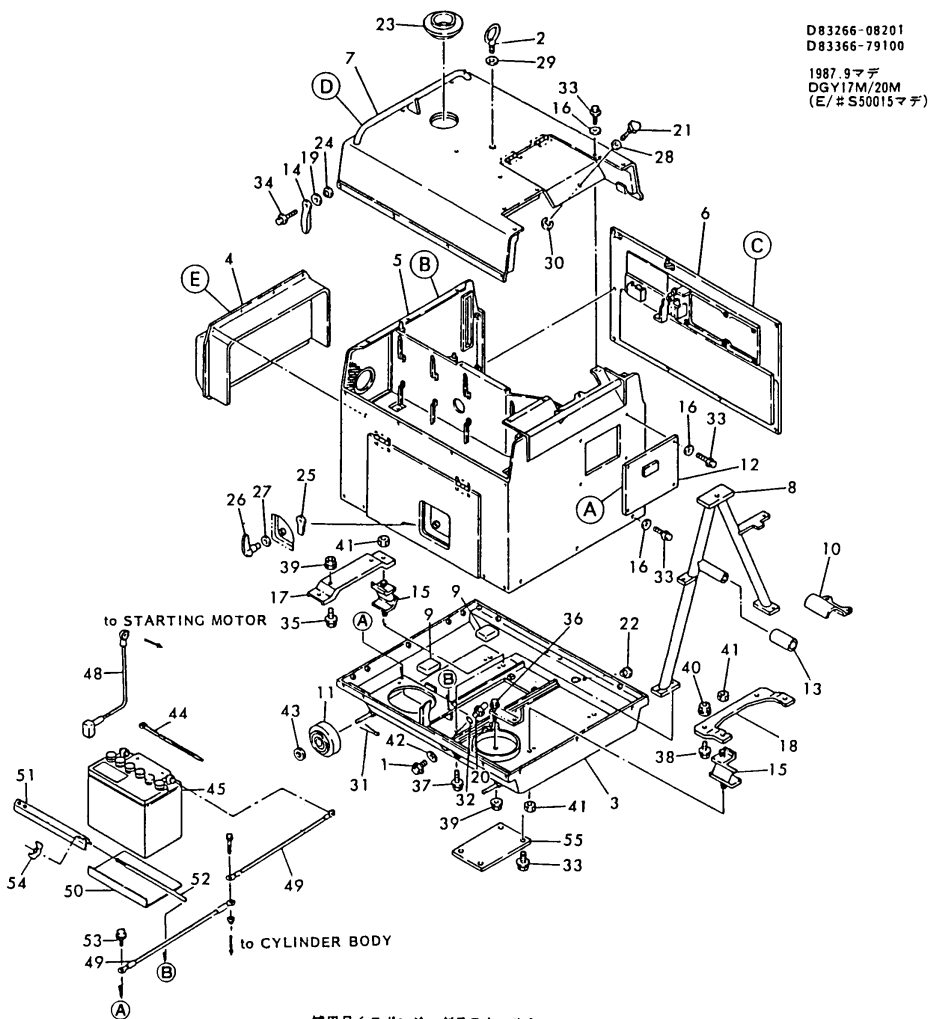
(A)=DGY17
(B)=DGY20
(C)=DGY17-E

(D)=DGY20-E
(E)=DGY17M
(F)=DGY20M



No.	Lev.	Parts No.	Description	Q'ty						I	R
				(A)	(B)	(C)	(D)	(E)	(F)		
1	1	183250-08050-R	FRAME	1	1						
2	1	183250-08150	STOPPER	1	1						
3	1	183250-08160	RUBBER, STOPPER	1	1						
4	1	183250-08210	DAMPER	4	4						
4-1	1	183250-08220	DAMPER	4							N
(A=E/#S0102)											
5	1	183250-08230-R	STAY, DAMPER	1	1						
6	1	183250-08250-R	STAY, DAMPER	1	1						
7	1	183250-08270	PIECE, 13.8X5.3	2	2						
8	1	22137-080000	WASHER, 8	4	4						
9	1	26106-080162	BOLT, M8X 16 PLATED	2	2						
10	1	26106-080252	BOLT, M8X 25 PLATED	2	2						
11	1	26106-080382	BOLT, M8X 38 PLATED	2	2						
12	1	26366-080002	NUT, M8	4	4						
13	1	26696-100002	NUT, LOCK M10	8	8						
14	1	183251-08050-R	FRAME			1	1				
15	1	183250-08150	STOPPER			1	1				
16	1	183250-08160	RUBBER, STOPPER			1	1				
17	1	183250-08210	DAMPER			4	4				
17-1	1	183250-08220	DAMPER			4					N
(C=E/#S0101)											
18	1	183250-08230-R	STAY, DAMPER			1	1				
19	1	183250-08250-R	STAY, DAMPER			1	1				
20	1	183250-08270	PIECE, 13.8X5.3			2	2				
21	1	22137-080000	WASHER, 8			4	4				
22	1	26106-080162	BOLT, M8X 16 PLATED			2	2				
23	1	26106-080252	BOLT, M8X 25 PLATED			2	2				
24	1	26106-080382	BOLT, M8X 38 PLATED			2	2				
25	1	26366-080002	NUT, M8			4	4				
26	1	26696-100002	NUT, LOCK M10			8	8				
27	1	101147-12550	NUT			2	2				
28	1	121750-59890	BAND, 140			1	1				
29	1	105430-67110	CLAMP, CORD			1	1				
30	1	183251-79560	CABLE, +			1	1				
31	1	183920-79560	CABLE, -			2	2				
32	1	183251-79510	BATTERY, 12N18-3			1	1				
33	1	183920-79620	SEAT, BATTERY			1	1				
34	1	183350-79630	RETAINER, BATTERY			1	1				
35	1	183920-79650	BOLT, BATTERY			2	2				
36	1	26106-060122	BOLT, M6X 12 PLATED			2	2				
37	1	26106-080302	BOLT, M8X 30 PLATED			1	1				
38	1	26366-080002	NUT, M8			1	1				

Fig.4. SOUND-PROOF CASE(UP TO SEP.1987)



D83266-08201
D83366-79100
1987.9マデ
DGY17M/20M
(E/#S50015マデ)

補用品(スポンジ, グラスウール)

貼付場所			貼付場所		
区分	ヒツメイ	コードNO	区分	ヒツメイ	コードNO
スポンジ	A	スポンジ(ケース内)	スポンジ	E	スポンジ(ミマダ)CMP
	B	スポンジ(ウロ)CMP			
	C	スポンジ(マエ)CMP		D	グラスウール(ケース内)
	D	スポンジ(ウエ)CMP		B	グラスウール(ウロ)CMP
		183366-95240			183366-95550
		183366-95500			
		183366-95520			183366-95680
		183366-95530			183366-95850

(A)=DGY17
(B)=DGY20
(C)=DGY17-E
(D)=DGY20-E
(E)=DGY17M
(F)=DGY20M

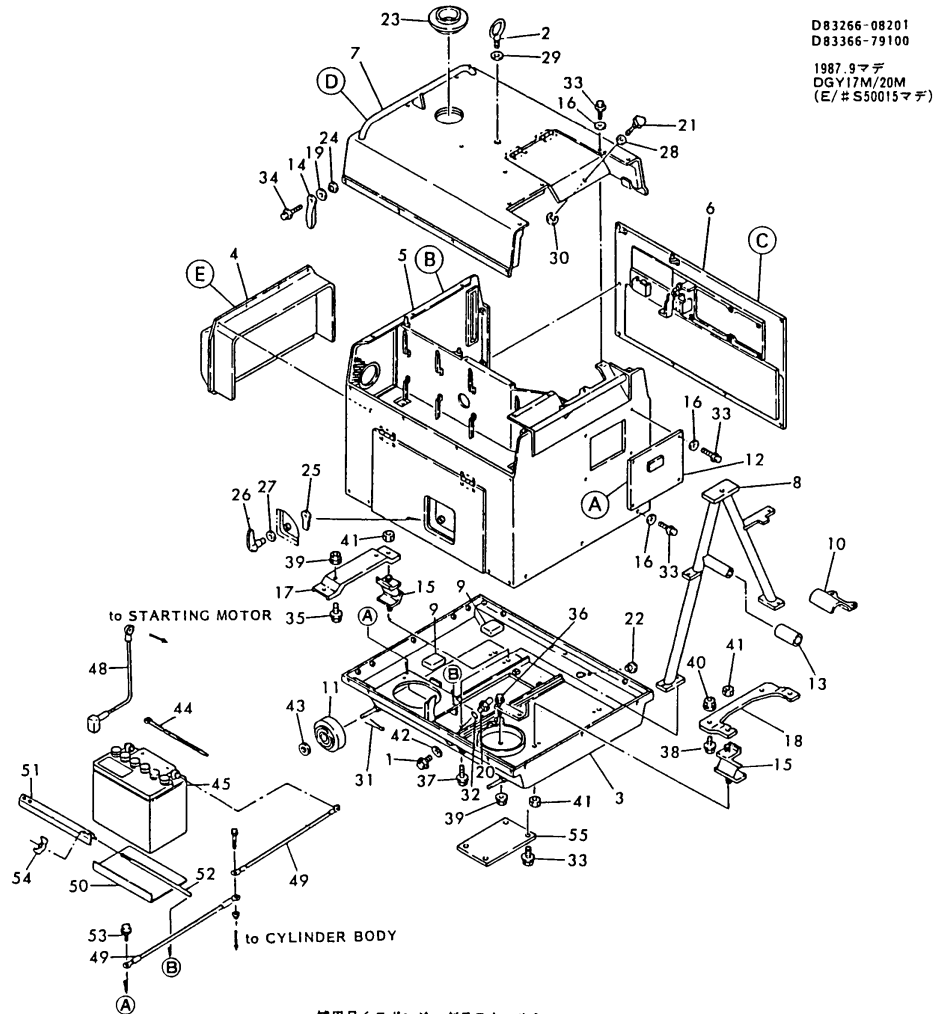
No.	Lev.	Parts No.	Description	Qty						I	R	
				(A)	(B)	(C)	(D)	(E)	(F)			
1	1	105425-01690	PLUG, 16						2	2		
2	1	105990-07920	BOLT, EYE M14						1	1		
3	1	183366-08050	CASE						1	1	Z	1
				(E=E/#S50016)								
4	1	183366-08080-R	COVER						1	1		
5	1	183366-08090-R	CASE						1	1	Z	1
				(E=E/#S50016)								
6	1	183366-08101-R	CASE						1	1		
7	1	183366-08110-R	CASE						1	1	Z	1
				(E=E/#S50016)								
8	1	183366-08120	FRAME, LIFTING						1	1		
9	1	183366-08140	SPONGE						2	2		
10	1	183266-08150	STOPPER						1	1		
11	1	183266-08360	WHEEL, 100						4	4		
12	1	183366-08170-R	COVER						1	1		
13	1	183366-08180	RUBBER						1	1		
14	1	183366-08190	STOPPER						1	1		
15	1	183250-08220	DAMPER						4	4		
16	1	183366-08210	WASHER, 6						18	18		
17	1	183266-08230	STAY, DAMPER						1	1		
18	1	183266-08240	STAY, DAMPER						1	1		
19	1	183366-08290	WASHER						1	1		
20	1	183366-08350	NIPPLE, DRAIN						2	2		
21	1	183101-08550	BOLT						1	1		
22	1	183210-08810	NUT						1	1		
23	1	183366-55210	GROMMET						1	1		
24	1	160810-55480	PIECE						1	1		
25	1	194312-61810	CAM, BONNET LOCK						1	1		
26	1	194555-61820	LEVER, BONNET LOCK						1	1		
27	1	194312-61840	WASHER, BWW-626						1	1		
28	1	160120-76940	WASHER						1	1		
29	1	22137-140000	WASHER, 14						1	1		
30	1	22272-000050	RING, E- 5						1	1		
31	1	22417-320250	PIN, COTTER 3.2X25						4	4		
32	1	24311-000120	O-RING, 1AP12.0						2	2		
33	1	26014-060142	BOLT, M6X 14						50	50		
34	1	26106-060252	BOLT, M6X 25 PLATED						1	1		
35	1	26106-080252	BOLT, M8X 25 PLATED						2	2		
36	1	26106-080602	BOLT, M8X 60 PLATED						1	1		
37	1	26106-100162	BOLT, M10X 16 PLATED						4	4		
38	1	26106-100382	BOLT, M10X 38 PLATED						2	2		
39	1	26366-080002	NUT, M8						4	4		
40	1	26366-100002	NUT, M10						2	2		
41	1	26696-100002	NUT, LOCK M10						8	8		
42	1	43400-500490	SEAL WASHER 16S						2	2		
43	1	22117-120000	WASHER, 12						4	4		
44	1	121750-59890	BAND, 140						2	2		
45	1	183350-79510	BATTERY ASSY, 26A19L						1	1		
48	1	183251-79560	CABLE, +						1	1		
49	1	183920-79560	CABLE, -						2	2		
50	1	183920-79620	SEAT, BATTERY						1	1		

Fig.4. SOUND-PROOF CASE(UP TO SEP.1987)

(A)=DGY17
(B)=DGY20
(C)=DGY17-E

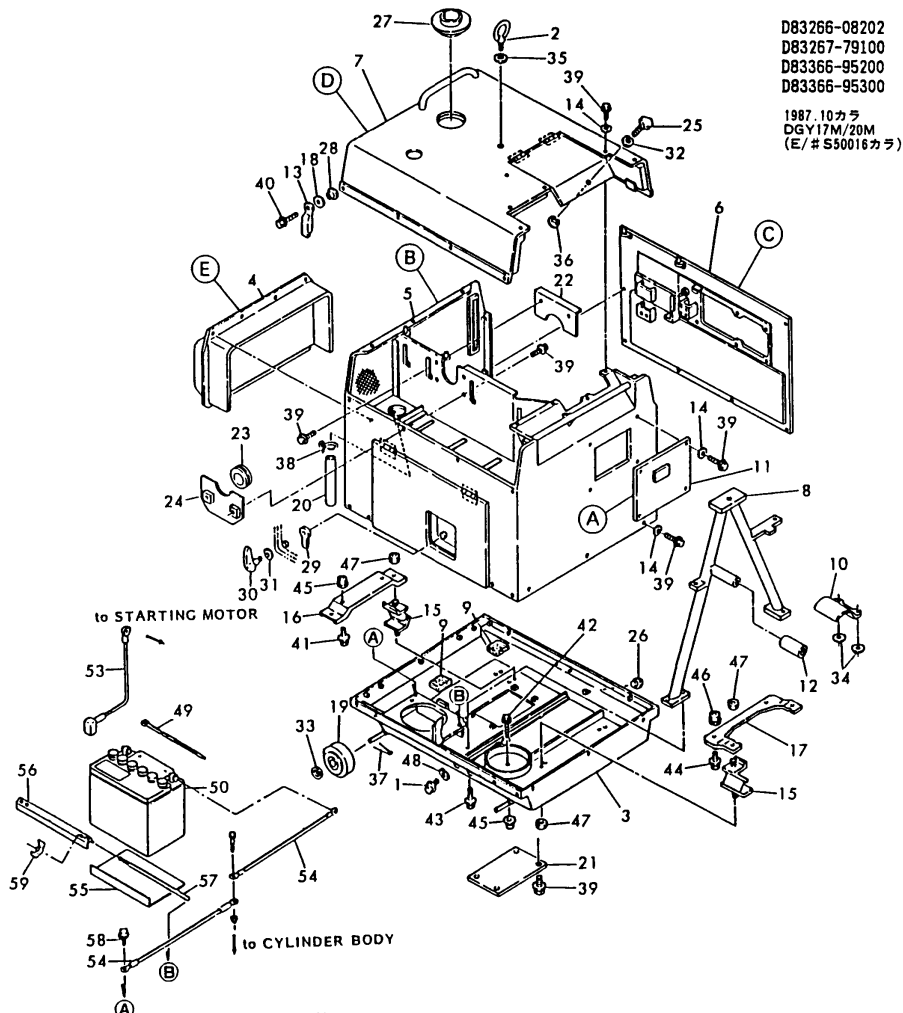
(D)=DGY20-E
(E)=DGY17M
(F)=DGY20M

No.	Lev.	Parts No.	Description	Q'ty						I	R
				(A)	(B)	(C)	(D)	(E)	(F)		
51	1	183350-79630	RETAINER, BATTERY					1			1
52	1	183920-79650	BOLT, BATTERY					2			2
53	1	26106-060122	BOLT, M6X 12 PLATED					2			2
54	1	26635-060002	NUT, WING M6					2			2
55	1	183266-08460	COVER					1			1



区分	貼付場所			区分	貼付場所		
	ヒツメイ	コードNO			ヒツメイ	コードNO	
スポンジ	A	スポンジ (ケ-スワ)	183366-95240	スポンジ	E	スポンジ (ミヅワ) CMP	183366-95550
	B	スポンジ (ウロ) CMP	183366-95500				
	C	スポンジ (マ I) CMP	183366-95520		D	グラスウ-ル(ケ-スワ)	183366-95680
	D	スポンジ (ウ E) CMP	183366-95530		B	グラスウ-ル(ウロ) CMP	183366-95850

Fig.5. SOUND-PROOF CASE(FROM OCT.1987)



D83266-08202
D83267-79100
D83366-95200
D83366-95300
1987.10カラ
DGY17M/20M
(E/# S50016カラ)

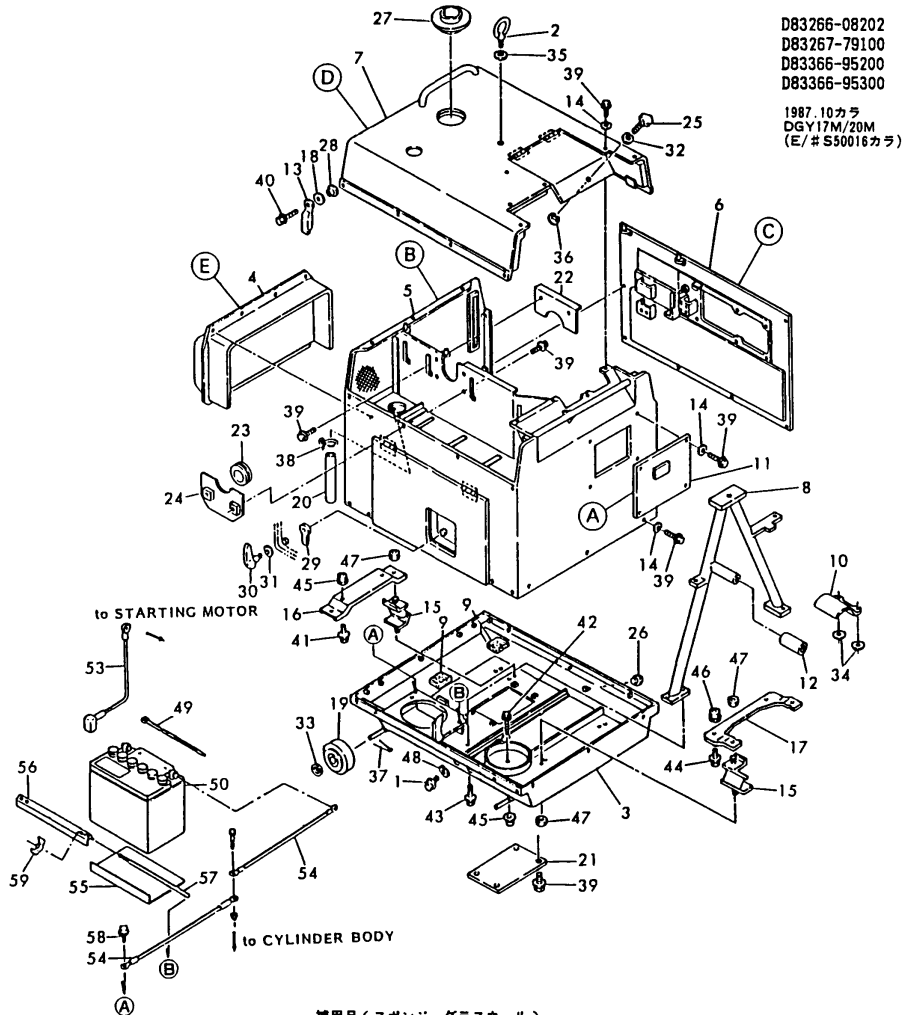
補用品 (スポンジ, グラスウール)

貼付場所			貼付場所				
区分	ヒ ッ ヲ イ	コ ー ド 番 号	区分	ヒ ッ ヲ イ	コ ー ド 番 号		
ス ポ ン ジ	A	スポンジ (ウエフタ)	103366-95240	ス ト ッ パ ー	E	スポンジ (ミエフタ) CMP	103366-95550
	B	スポンジ (ウシロ) CMP	103366-95500		D	グラスウール (ケースウ)	103366-95680
	C	スポンジ (マ イ) CMP	103366-95520		B	グラスウール (ウシロ) CMP	103366-95850
	D	スポンジ (ウ イ) CMP	103366-95530				

(A)=DGY17
(B)=DGY20
(C)=DGY17-E
(D)=DGY20-E
(E)=DGY17M
(F)=DGY20M

No.	Lev.	Parts No.	Description	Q'ty						I	R
				(A)	(B)	(C)	(D)	(E)	(F)		
1	1	105425-01690	PLUG, 16					2	2		
2	1	105990-07920	BOLT, EYE M14					1	1		
3	1	183366-08051	CASE					1		W	
				(E=E/#S50016)							
4	1	183366-08080-R	COVER					1	1		
5	1	183366-08091-R	CASE					1		W	
				(E=E/#S50016)							
6	1	183366-08101-R	CASE					1	1		
7	1	183366-08111-R	CASE					1		W	
				(E=E/#S50016)							
8	1	183366-08120	FRAME, LIFTING					1	1		
9	1	183366-08140	SPONGE					2	2		
10	1	183266-08150	STOPPER					1	1		
11	1	183366-08170-R	COVER					1	1		
12	1	183366-08180	RUBBER					1	1		
13	1	183366-08190	STOPPER					1	1		
14	1	183366-08210	WASHER, 6					18	18		
15	1	183250-08220	DAMPER					4	4		
16	1	183266-08230	STAY, DAMPER					1	1		
17	1	183266-08240	STAY, DAMPER					1	1		
18	1	183366-08290	WASHER					1	1		
19	1	183266-08360	WHEEL, 100					4	4		
20	1	183366-08400	PIPE, WATER DRAIN					1		W	
				(E=E/#S50016)							
21	1	183266-08460	COVER					1	1		
22	1	183366-08460	FLANGE					1		W	1
				(E=E/#S50081)							
23	1	183366-08470	COVER, MUFFLER					1		W	1
				(E=E/#S50081)							
24	1	183366-08480	FLANGE					1		W	1
				(E=E/#S50081)							
25	1	183101-08550	BOLT					1	1		
26	1	183210-08810	NUT					1	1		
27	1	183366-55210	GROMMET					1	1		
28	1	160810-55480	PIECE					1	1		
29	1	194312-61810	CAM, BONNET LOCK					1	1		
30	1	194555-61820	LEVER, BONNET LOCK					1	1		
31	1	194312-61840	WASHER, BWW-626					1	1		
32	1	160120-76940	WASHER					1	1		
33	1	22117-120000	WASHER, 12					4	4		
34	1	22137-080000	WASHER, 8					2	2		
35	1	22137-140000	WASHER, 14					1	1		
36	1	22272-000050	RING, E- 5					1	1		
37	1	22417-320250	PIN, COTTER 3.2X25					4	4		
38	1	23000-022000	CLAMP, 22					1		W	
				(E=E/#S50016)							
39	1	26014-060142	BOLT, M6X 14					54	54		
40	1	26106-060252	BOLT, M6X 25 PLATED					1	1		
41	1	26106-080252	BOLT, M8X 25 PLATED					2	2		
42	1	26106-080602	BOLT, M8X 60 PLATED					1	1		
43	1	26106-100162	BOLT, M10X 16 PLATED					4	4		

Fig.5. SOUND-PROOF CASE(FROM OCT.1987)

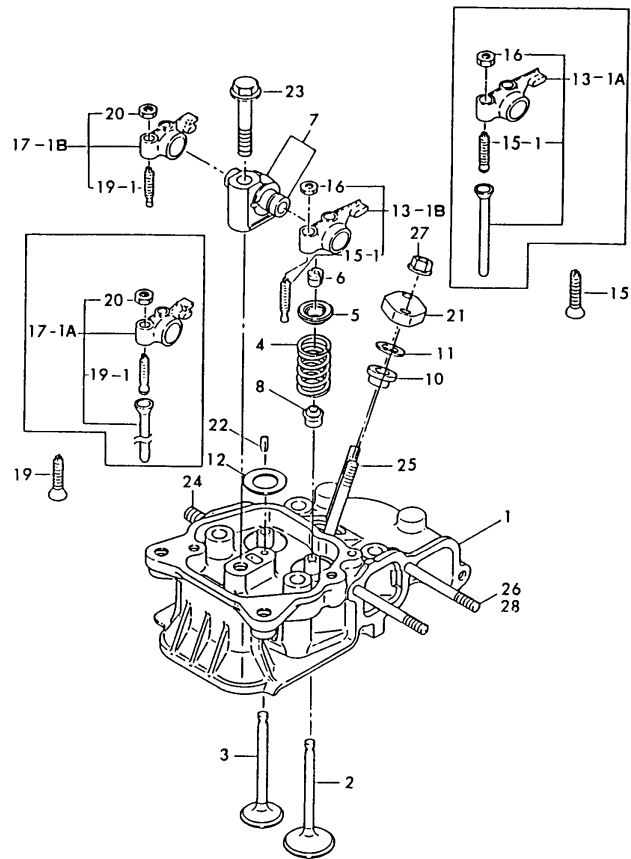


貼付場所			貼付場所				
区分	ヒツメイ	コードNO	区分	ヒツメイ	コードNO		
スポンジ	A	スポンジ (ウ-スフタ)	103366-95240	グラスウール	E	スポンジ (ミヅフタ) CMP	103366-95550
	B	スポンジ (ウ-シロ) CMP	103366-95500		D	グラスウール(ウ-スウ)	103366-95680
	C	スポンジ (マ-イ) CMP	103366-95520		B	グラスウール(ウ-シロ) CMP	103366-95850
	D	スポンジ (ウ-イ) CMP	103366-95530				

(A)=DGY17
(B)=DGY20
(C)=DGY17-E
(D)=DGY20-E
(E)=DGY17M
(F)=DGY20M

No.	Lev.	Parts No.	Description	Q'ty						I	R
				(A)	(B)	(C)	(D)	(E)	(F)		
44	1	26106-100382	BOLT, M10X 38 PLATED					2	2		
45	1	26366-080002	NUT, M8					4	4		
46	1	26366-100002	NUT, M10					2	2		
47	1	26696-100002	NUT, LOCK M10					8	8		
48	1	43400-500490	SEAL WASHER 16S					2	2		
49	1	121750-59890	BAND, 140					2	2		
50	1	183350-79510	BATTERY ASSY, 26A19L					1	1		
53	1	183251-79560	CABLE, +					1	1		
54	1	183920-79560	CABLE, -					2	2		
55	1	183920-79620	SEAT, BATTERY					1	1		
56	1	183350-79630	RETAINER, BATTERY					1	1		
57	1	183920-79650	BOLT, BATTERY					2	2		
58	1	26106-060122	BOLT, M6X 12 PLATED					2	2		
59	1	26635-060002	NUT, WING M6					2	2		
60	1	183251-79570	CABLE (-)					1	1		
61	1	183366-95240	SPONGE					1	1		
62	1	183366-95500	SPONGE ASSY					1	1		
74	1	183366-95520	SPONGE ASSY					1	1		
77	1	183366-95530	SPONGE ASSY					1	1		
80	1	183366-95550	SPONGE ASSY					1	1		
83	1	183366-95570	SPONGE ASSY					1	1		
86	1	183366-95680	WOOL, GLASS					1	1		
87	1	183366-95850	WOOL ASSY, GLASS					1	1		

Fig.6. CYLINDER HEAD



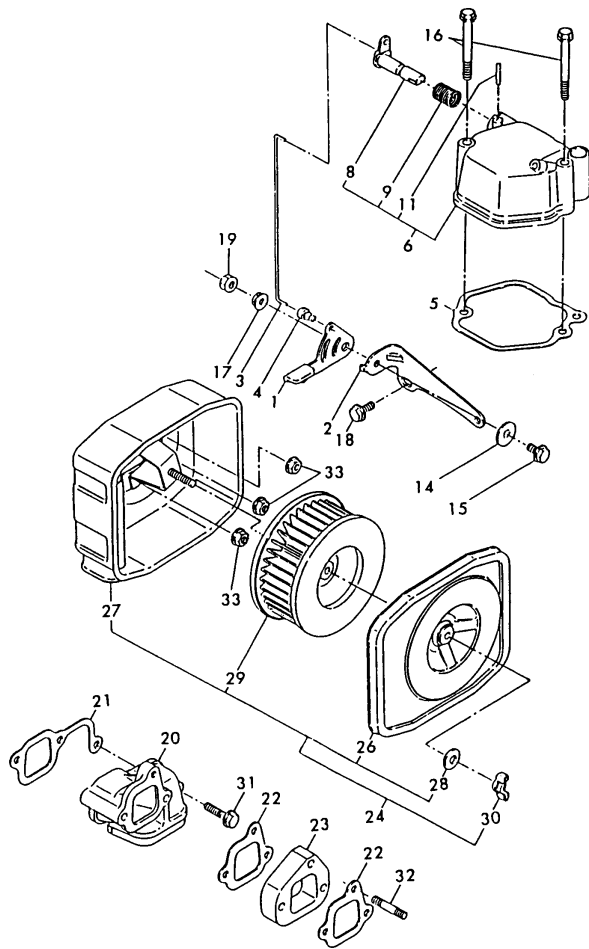
D83250-11100
D14250-11100

(A)=DGY17
(B)=DGY20
(C)=DGY17-E

(D)=DGY20-E
(E)=DGY17M
(F)=DGY20M

No.	Lev.	Parts No.	Description	Q'ty						I	R
				(A)	(B)	(C)	(D)	(E)	(F)		
1	1	114250-11020	HEAD ASSY, CYLINDER	1	1	1	1	1	1		
2	1	114250-11101	VALVE, INTAKE	1	1	1	1	1	1		
3	1	114250-11112	VALVE, EXHAUST	1	1	1	1	1	1		
4	1	114250-11120	SPRING, VALVE	2	2	2	2	2	2		
5	1	114250-11180	RETAINER, SPRING	2	2	2	2	2	2		
6	1	114250-11190	COTTER	4	4	4	4	4	4		
7	1	114250-11290	SUPPORT, ROCKER ARM	1	1	1	1	1	1		
8	1	114250-11340	SEAL, VALVE STEM	2	2	2	2	2	2		
10	1	114250-11460	GASKET, NOZZLE	1	1	1	1	1	1		
11	1	114350-11470	SPACER, NOZZLE	1	1	1	1	1	1		
12	1	114250-11600	WASHER	2	2	2	2	2	2		
13	1	114250-11650	ARM, ROCKER	1	1	1	1	1	1		
13-1A	1	114250-11780	ARM, ROCKER							1	N
				(A=E/#S0102)		(E=E/#S0102)					
13-1B	1	114250-11651	ARM, ROCKER							1	S
				(A=E/#S0867)		(E=E/#S0196)					
15	2	105025-11230	SCREW, VALVE ADJUST	1	1	1	1	1	1		
15-1	2	114250-11240	SCREW, VALVE ADJUST							1	S
				(A=E/#S0867)		(E=E/#S0196)					
16	2	26756-060002	NUT, LOCK M6	1	1	1	1	1	1		
17	1	114250-11660	ARM, ROCKER	1	1	1	1	1	1		
17-1A	1	114250-11790	ARM, ROCKER							1	N
				(A=E/#S0102)		(E=E/#S0102)					
17-1B	1	114250-11661	ARM, ROCKER							1	S
				(A=E/#S0867)		(E=E/#S0196)					
19	2	105025-11230	SCREW, VALVE ADJUST	1	1	1	1	1	1		
19-1	2	114250-11240	SCREW, VALVE ADJUST							1	S
				(A=E/#S0867)		(E=E/#S0196)					
20	2	26756-060002	NUT, LOCK M6	1	1	1	1	1	1		
21	1	114250-11900	RETAINER, NOZZLE	1	1	1	1	1	1		
22	1	22351-040008	PIN, SPRING 4.0X 8	1	1	1	1	1	1		
23	1	26106-080452	BOLT, M8X 45 PLATED	1	1	1	1	1	1		
24	1	26216-080182	STUD, M8X 18	2	2	2	2	2	2		
25	1	26226-060502	STUD, M6X 50	2	2	2	2	2	2		
26	1	26226-060752	STUD, M6X 75	2	2	2	2				
27	1	26366-060002	NUT, M6	2	2	2	2	2	2		
28	1	26226-060552	STUD, M6X 55							2	2

Fig.7. BONNET & AIR CLEANER (DGY17/20(E))



D83250-11200
D83250-12100

(A)=DGY17
(B)=DGY20
(C)=DGY17-E

(D)=DGY20-E
(E)=DGY17M
(F)=DGY20M

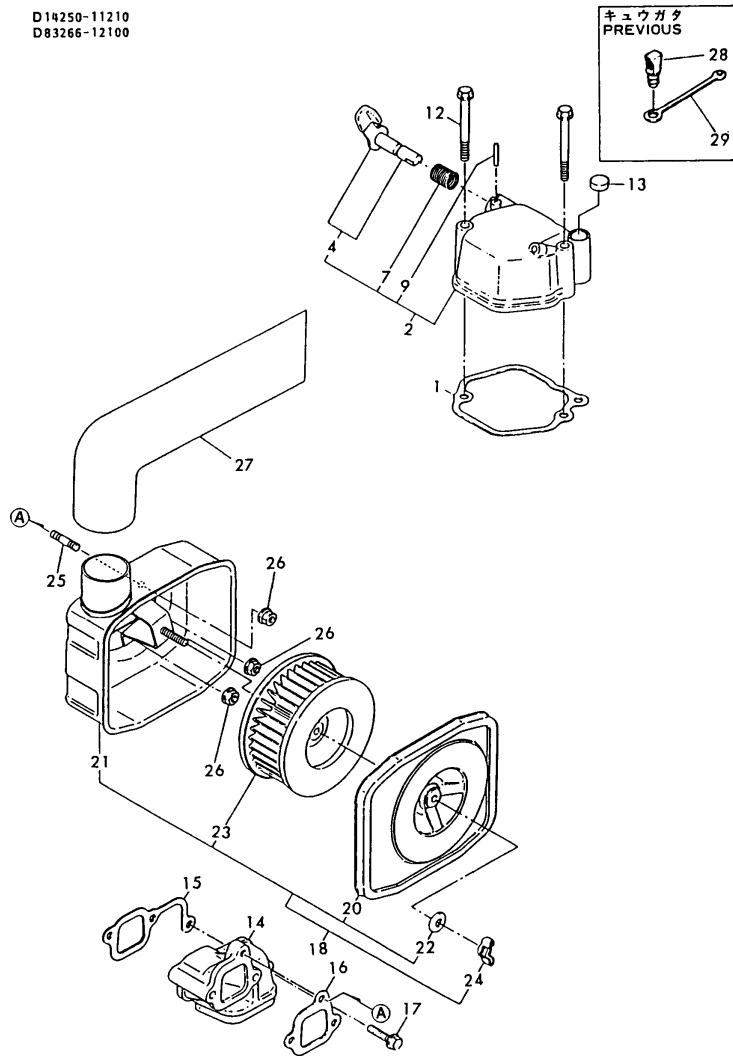
No.	Lev.	Parts No.	Description	Q'ty						I	R
				(A)	(B)	(C)	(D)	(E)	(F)		
1	1	183250-03410	LEVER, DECOMPRESSION	1	1	1	1				
2	1	183250-03450	BRACKET, LEVER	1	1	1	1				
3	1	183250-03510	LINK	1	1	1	1				
4	1	183250-03550	JOINT	2	2	2	2				
5	1	114250-11310	GASKET, BONNET	1	1	1	1				
6	1	183250-11951	BONNET ASSY, HEAD	1	1	1	1				
8	2	183250-03601	SHAFT, DECOMPRESSION	1	1	1	1				
9	2	114250-03640	SPRING, DECOMPRESSION	1	1	1	1				
11	2	22312-030160	PIN, PARALLEL M3X16	1	1	1	1				
13	2	27225-080080	PLUG, 8X 8	1	1	1	1				
14	1	160670-66350	COLLAR	1	1	1	1				
15	1	26106-060202	BOLT, M6X 20 PLATED	1	1	1	1				
16	1	26106-060552	BOLT, M6X 55 PLATED	2	2	2	2				
17	1	26366-060002	NUT, M6	1	1	1	1				
18	1	26476-060142	SCREW, TAPPING M6X14	2	2	2	2				
19	1	26756-060002	NUT, LOCK M6	1	1	1	1				
20	1	114250-12010	PIPE, AIR INTAKE	1	1	1	1				
21	1	114250-12200	GASKET	1	1	1	1				
22	1	114250-12210	GASKET, AIR CLEANER	2	2	2	2				
23	1	183250-12400	SPACER	1	1	1	1				
24	1	714250-12560	CLEANER ASSY, AIR	1	1	1	1				
26	3	114250-12520	COVER, AIR CLEANER	1	1	1	1				
27	3	114250-12530	CASE ASSY, CLEANER	1	1	1	1				
28	2	114250-12560	WASHER, SEAL M6	1	1	1	1				
29	2	114250-12580	ELEMENT	1	1	1	1				
30	2	114250-12550	NUT, WING M6	1	1	1	1				
31	1	26106-060252	BOLT, M6X 25 PLATED	1	1	1	1				
32	1	26226-060352	STUD, M6X 35	1	1	1	1				
33	1	26366-060002	NUT, M6	3	3	3	3				

Fig.8. BONNET & AIR CLEANER (DGY17M/20M)

(A)=DGY17
(B)=DGY20
(C)=DGY17-E

(D)=DGY20-E
(E)=DGY17M
(F)=DGY20M

D14250-11210
D83266-12100

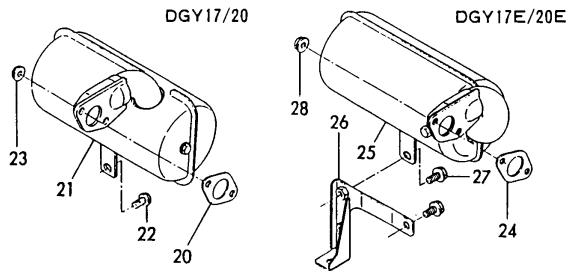
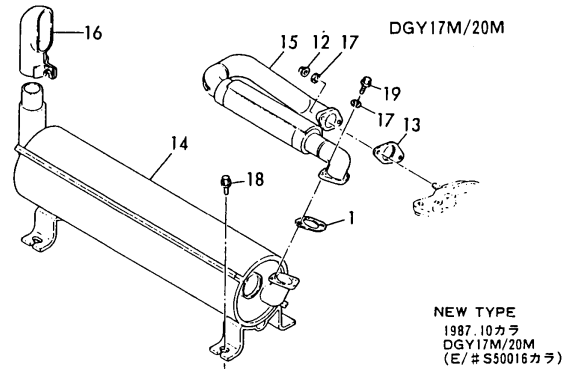
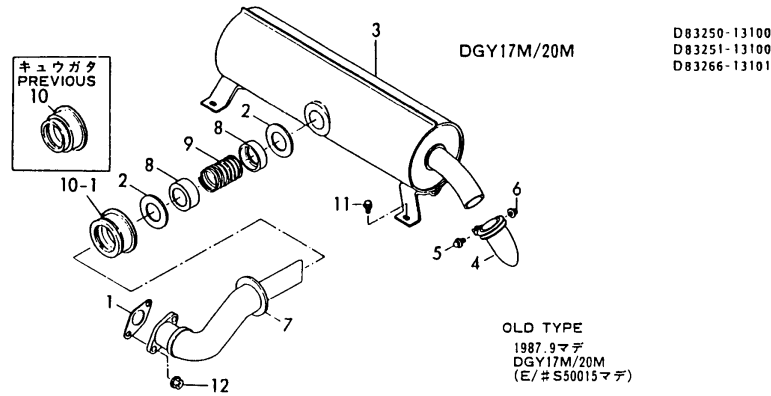


No.	Lev.	Parts No.	Description	Q'ty						I	R
				(A)	(B)	(C)	(D)	(E)	(F)		
1	1	114250-11310	GASKET, BONNET					1	1		
2	1	114250-11951	BONNET ASSY, HEAD					1	1		
4	2	114250-03591	LEVER ASSY					1	1		
7	2	114250-03640	SPRING, DECOMPRESSION					1	1		
9	2	22312-030160	PIN, PARALLEL M3X16					1	1		
12	1	26106-060552	BOLT, M6X 55 PLATED					2	2		
13	1	129100-61850	PLUG, 12					1			W
						(E=#S50001)					
14	1	114250-12010	PIPE, AIR INTAKE					1	1		
15	1	114250-12200	GASKET					1	1		
16	1	114250-12210	GASKET, AIR CLEANER					1	1		
17	1	26106-060252	BOLT, M6X 25 PLATED					1	1		
18	1	783366-12560	CLEANER ASSY, AIR					1	1		
20	3	114250-12520	COVER, AIR CREANER					1	1		
21	3	183366-12530	CASE ASSY					1	1		
22	3	114250-12560	WASHER, SEAL M6					1	1		
23	3	114250-12580	ELEMENT					1	1		
24	2	114250-12550	NUT, WING M6					1	1		
25	1	26226-060142	STUD, M6X 14					1	1		
26	1	26366-060002	NUT, M6					3	3		
27	1	183366-12590	HOSE, CLEANER					1	1		
28	1	114250-76600	PLUNGER					1			Z
						(E=#S50001)					
29	1	114250-76610	HOLDER, PLUNGER					1			Z
						(E=#S50001)					

Fig.9. MUFFLER

(A)=DGY17
(B)=DGY20
(C)=DGY17-E

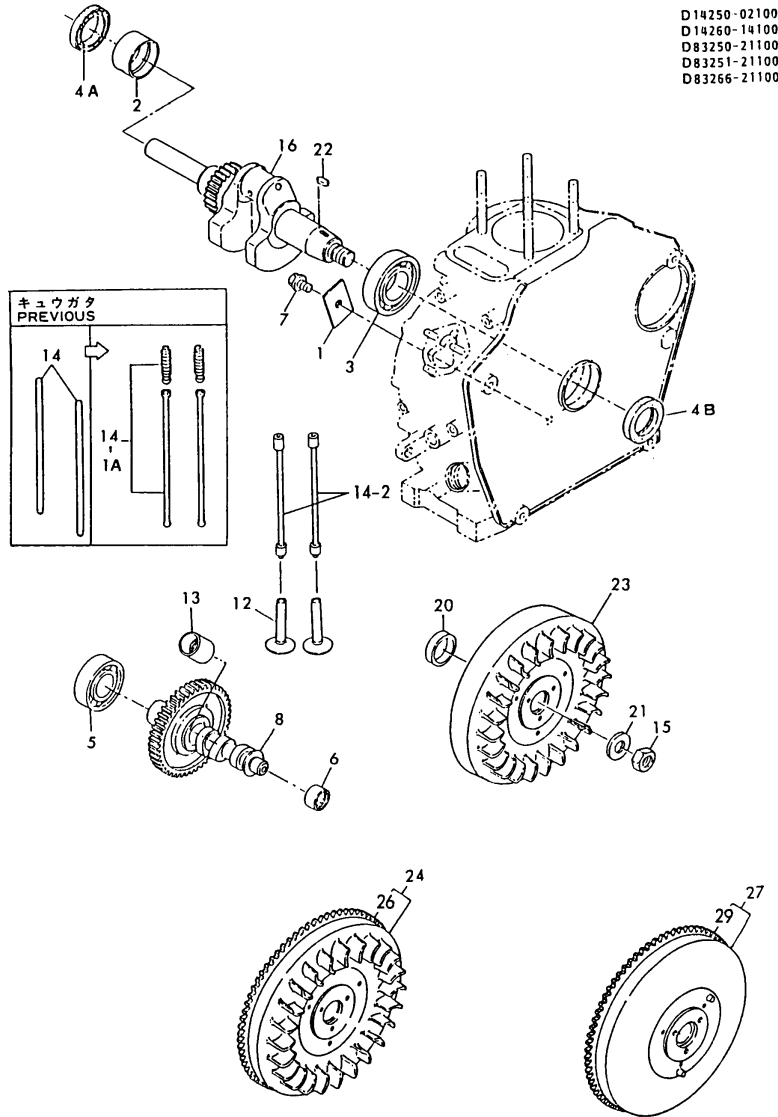
(D)=DGY20-E
(E)=DGY17M
(F)=DGY20M



No.	Lev.	Parts No.	Description	Q'ty						I	R
				(A)	(B)	(C)	(D)	(E)	(F)		
1	1	114250-13200	GASKET, MUFFLER					1		1	
2	1	183366-13200	GASKET, MUFFLER					2			Z
				(E=E#S50001)							
3	1	183366-13510	MUFFLER					1			Z
				(E=E#S50001)							
4	2	105430-13570	PIPE					1			Z
				(E=E#S50001)							
5	2	26106-060122	BOLT, M6X 12 PLATED					1			Z
				(E=E#S50001)							
6	2	26366-060002	NUT, M6					1			Z
				(E=E#S50001)							
7	1	183266-13551	PIPE, EXHAUST					1			Z 1
				(E=E#S50001)							
8	1	183366-13630	RETAINER					2			Z
				(E=E#S50001)							
9	1	183366-13640	SPRING					1		1	
9-1	1	183366-13720	SPRING					1			S
				(E=E/#S0196)							
9-2	1	183366-13720	SPRING					1			Z
				(E=E#S50001)							
10	1	183366-13660	BOOT					1		1	
10-1	1	183366-13661	BOOT					1			S
				(E=E/#S0196)							
10-2	1	183366-13661	BOOT					1			Z
				(E=E#S50001)							
11	1	26106-060122	BOLT, M6X 12 PLATED					4			Z
				(E=E#S50001)							
12	1	26366-080002	NUT, M8					2		2	
13	1	183671-13210	GASKET					1			W
				(E=E#S50001)							
14	1	183366-13511	MUFFLER					1			W
				(E=E#S50001)							
15	1	183266-13600	PIPE					1			W
				(E=E#S50001)							
16	1	114658-13800	PIPE					1			W
				(E=E#S50086)							
17	1	22213-080000	WASHER, SPRING 8					4			W
				(E=E#S50001)							
18	1	26014-060142	BOLT, M6X 14					4			W
				(E=E#S50001)							
19	1	26106-080282	BOLT, M8X 28 PLATED					2			W
				(E=E#S50001)							
20	1	114250-13200	GASKET, MUFFLER	1	1						
21	1	183250-13510	MUFFLER	1	1						
22	1	26106-080162	BOLT, M8X 16 PLATED	1	1						
23	1	26366-080002	NUT, M8	2	2						
24	1	114250-13200	GASKET, MUFFLER					1	1		
25	1	183251-13510	MUFFLER					1	1		
26	1	183251-13620	STAY, MUFFLER					1	1		
27	1	26106-080162	BOLT, M8X 16 PLATED					1	1		
28	1	26366-080002	NUT, M8					2	2		

Remarks
(1) ORDER BY P/# 783266-13940

Fig.10. CRANKSHAFT,CAMSHAFT & BEARING



D14250-02100
 D14260-14100
 D83250-21100
 D83251-21100
 D83266-21100

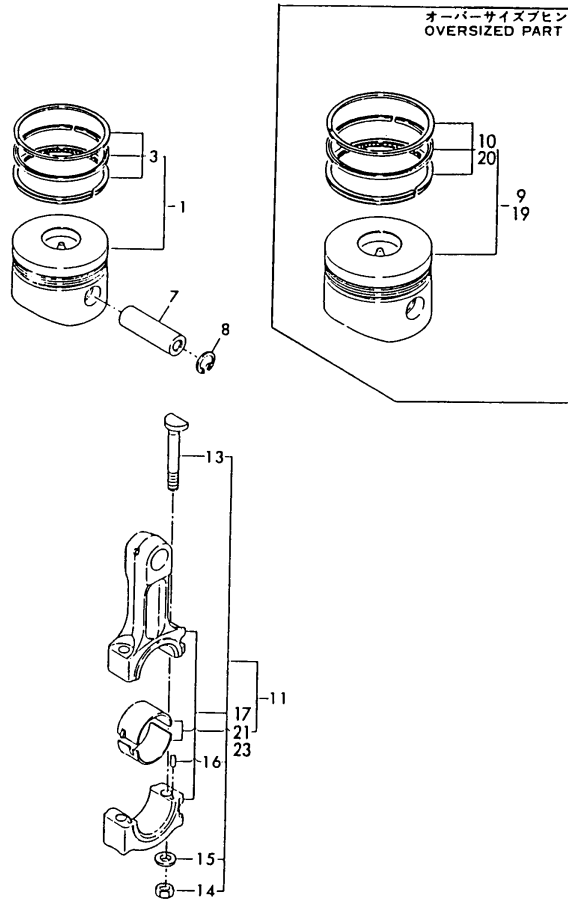
(A)=DGY17
 (B)=DGY20
 (C)=DGY17-E

(D)=DGY20-E
 (E)=DGY17M
 (F)=DGY20M

No.	Lev.	Parts No.	Description	Q'ty						I	R
				(A)	(B)	(C)	(D)	(E)	(F)		
1	1	114250-02030	RETAINER, BEARING	1	1	1	1	1	1		
2	1	114250-02100	BEARING, MAIN	1	1	1	1	1	1		
3	1	114250-02112	BEARING, HR6206G3C3	1	1	1	1	1	1		
3-1	1	114250-02113 (A=E#S50001)	BEARING, HR6306G3C3	1				1			S
4A	1	160110-02220	SEAL, OIL	1	1	1	1	1	1		
4B	1	160210-02220	SEAL, 25X41.2X8	1	1	1	1	1	1		
5	1	24101-062050	BEARING, BALL 6205C3	1	1	1	1	1	1		
6	1	24162-152112	BEARING, 152112	1	1	1	1	1	1		
7	1	26106-080122	BOLT, M8X 12 PLATED	1	1	1	1	1	1		
8	1	714260-14581	CAMSHAFT ASSY	1	1	1	1	1	1		
12	1	114250-14200	TAPPET	2	2	2	2	2	2		
13	1	114250-14260	TAPPET	1	1	1	1	1	1		
14	1	114250-14400	ROD, PUSH	2	2	2	2	2	2		
14-1A	1	114250-14900	ROD, PUSH	2				2			N
14-2	1	114250-14450 (A=E#S0102) (A=E#S0882)	ROD ASSY, PUSH	2				2			S
15	1	103854-01221	NUT, CYLINDER HEAD	1	1	1	1	1	1		
16	1	714261-21701	CRANKSHAFT ASSY	1	1	1	1	1	1		
20	1	183250-21350	SPACER, CRANKSHAFT	1	1	1	1	1	1		
21	1	114250-21550	WASHER	1	1	1	1	1	1		
22	1	22512-040120	KEY, 4X 12	1	1	1	1	1	1		
23	1	114260-21400	FLYWHEEL	1	1						
23-1	1	114260-21401 (A=E#S50123)	FLYWHEEL	1							N
24	1	114262-21590	FLYWHEEL ASSY			1	1				
24-1	1	114262-21591 (C=E#S50123)	FLYWHEEL ASSY			1					N
26	2	114262-21600	GEAR, RING			1	1				
27	1	183266-21590	FLYWHEEL ASSY					1	1		
29	2	114262-21600	GEAR, RING					1	1		

Fig.11. PISTON & CONNECTING ROD

D 14260-22100
D 14250-23100



(A)=DGY17
(B)=DGY20
(C)=DGY17-E

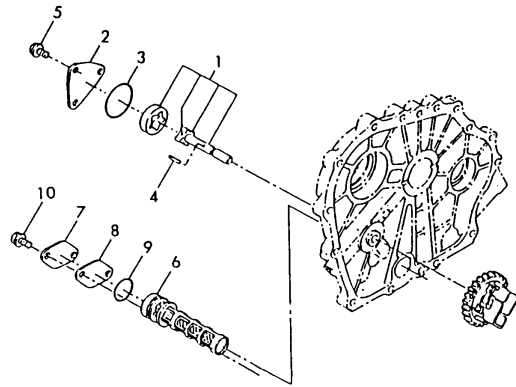
(D)=DGY20-E
(E)=DGY17M
(F)=DGY20M

No.	Lev.	Parts No.	Description	Q'ty						I	R
				(A)	(B)	(C)	(D)	(E)	(F)		
1	1	714250-22722	PISTON ASSY, 19-63	1	1	1	1	1	1		
1-1	1	714260-22720	PISTON ASSY, D	1				1			N
(A=E/#S0123)				(E=E/#S50071)							
3	2	714250-22501	RING SET, PISTON	1	1	1	1	1	1		
3-1	2	714250-22502	RING SET, PISTON	1				1			N
(A=E/#S0955)				(E=E/#S0199)							
7	1	114250-22302	PIN, PISTON D=19	1	1	1	1	1	1		
8	1	22252-000190	RING, 19	2	2	2	2	2	2		
9	1	714260-22620	PISTON ASSY, 0.25 OS	1				1	1		1
(A=E/#S0882)				(E=E/#S0199)							
10	2	714250-22540	RING SET, 0.25 OS	1	1	1	1	1	1		1
10-1	2	714250-22542	RING SET, 0.25 OS	1				1			N 1
(A=E/#S0955)				(E=E/#S0199)							
11	1	714250-23703	ROD ASSY, CONNECTING	1	1	1	1	1	1		
13	2	114250-23200	BOLT, CONNECTING ROD	2	2	2	2	2	2		
14	2	114250-23220	NUT	2	2	2	2	2	2		
15	2	114250-23250	WASHER	2	2	2	2	2	2		
16	2	22312-030080	PIN, PARALLEL M3X 8	2	2	2	2	2	2		
17	2	714250-23600	BEARING, CRANK PIN	1	1	1	1	1	1		
19	1	714260-22580	PISTON ASSY, 0.50 OS	1	1	1	1	1	1		1
20	2	714250-22550	RING SET, 0.50 OS	1	1	1	1	1	1		1
21	1	714250-23610	BEARING ASSY, 0.25	1	1	1	1	1	1		2
23	1	714250-23620	BEARING, 0.50 US	1	1	1	1	1	1		2

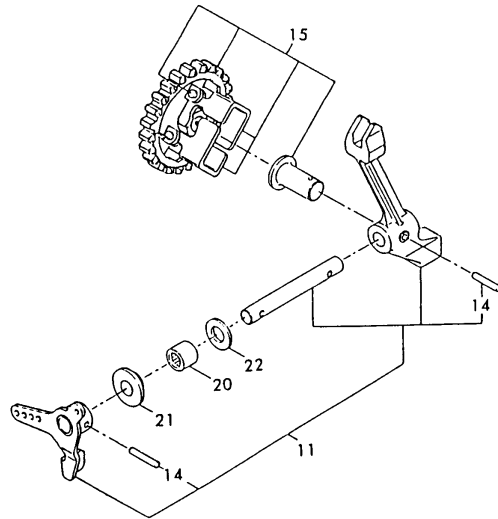
Remarks

- (1) OVER-SIZED PART.
- (2) UNDER-SIZED PART.

Fig.12. L.O.PUMP/STRAINER & GOVERNOR



D14250-32100
 D14250-35100
 D14250-61100



(A)=DGY17
 (B)=DGY20
 (C)=DGY17-E

(D)=DGY20-E
 (E)=DGY17M
 (F)=DGY20M

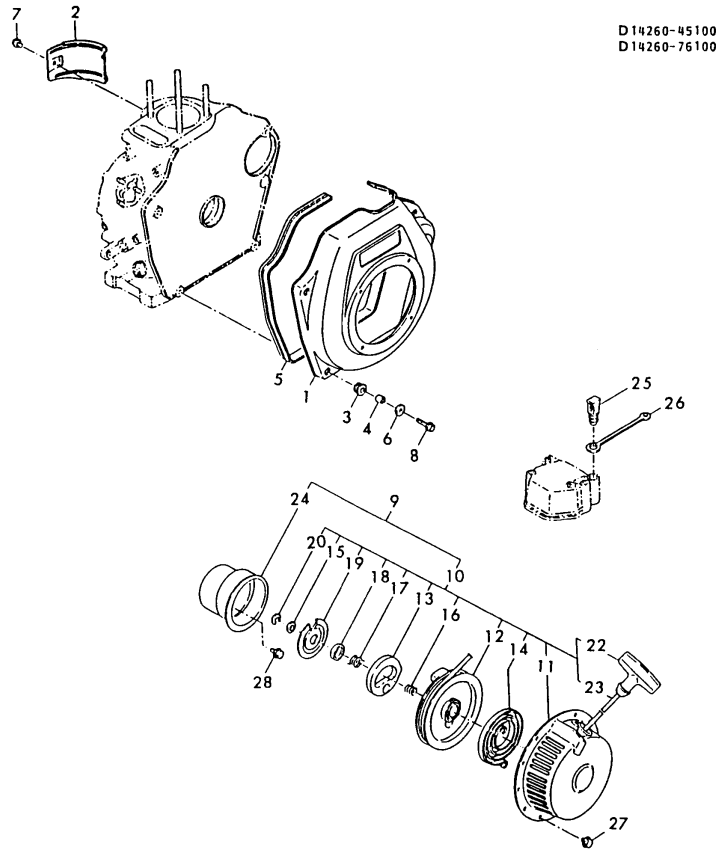
No.	Lev.	Parts No.	Description	Q'ty						I	R
				(A)	(B)	(C)	(D)	(E)	(F)		
1	1	114250-32010	PUMP ASSY, OIL	1	1	1	1	1	1		
2	1	114250-32070	COVER	1	1	1	1	1	1		
3	1	103338-32570	O-RING	1	1	1	1	1	1		
4	1	22312-030160	PIN, PARALLEL M3X16	1	1	1	1	1	1		
5	1	26476-060142	SCREW, TAPPING M6X14	3	3	3	3	3	3		
6	1	114250-35060	FILTER, OIL	1	1	1	1	1	1		
7	1	114250-35250	COVER	1	1	1	1	1	1		
8	1	114250-35270	GASKET	1	1	1	1	1	1		
9	1	24341-000224	O-RING, 1AS22.4	1	1	1	1	1	1		
10	1	26106-060122	BOLT, M6X 12 PLATED	2	2	2	2	2	2		
11	1	714250-61500	LEVER ASSY, GOVERNOR	1	1	1	1	1	1		
14	2	22322-030180	PIN, TAPER 3X18	2	2	2	2	2	2		
15	1	714250-61700	GOVERNOR ASSY	1	1	1	1	1	1		
20	1	121450-61520	BEARING, NEEDLE 8	2	2	2	2	2	2		
21	1	114250-61900	BUSH	1	1	1	1	1	1		1
22	1	22137-080000	WASHER, 8	1	1	1	1	1	1		

Remarks
 (1) REPAIR PART.

Fig.13. COOLING & STARTING DEVICE (DGY17/20(E))

(A)=DGY17
(B)=DGY20
(C)=DGY17-E

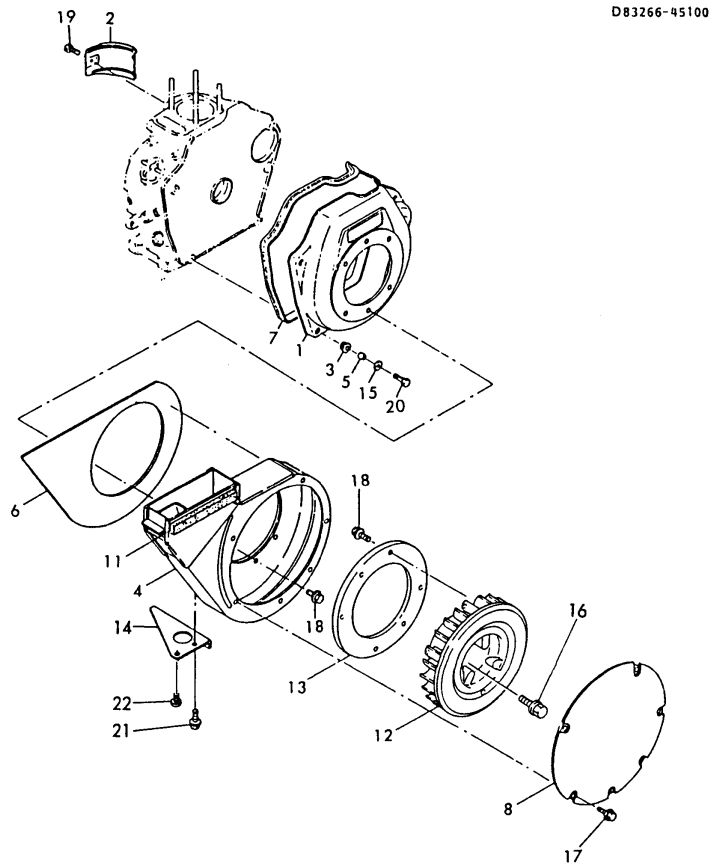
(D)=DGY20-E
(E)=DGY17M
(F)=DGY20M



D14260-45100
D14260-76100

No.	Lev.	Parts No.	Description	Q'ty						I	R
				(A)	(B)	(C)	(D)	(E)	(F)		
1	1	114260-45100-R	CASE, COOLING FAN	1	1	1	1				
1-1	1	114260-45101-R	CASE, COOLING FAN	1							N
(A=E#S50123)											
2	1	114250-45210	COVER	1	1	1	1				
2-1	1	114250-45211	COVER	1							N
(A=E#S50123)											
3	1	114250-45300	ABSORBER	4	4	4	4				
4	1	114250-45310	COLLAR	4	4	4	4				
5	1	114250-45330	SEAL, FAN CASE L=875	1	1	1	1				
6	1	160120-76940	WASHER	4	4	4	4				
7	1	26476-060142	SCREW, TAPPING M6X14	1	1	1	1				
8	1	26476-060252	SCREW, TAPPING M6X25	4	4	4	4				
9	1	114260-76050	STARTER ASSY, RECOIL	1	1	1	1				
10	2	114260-76250	STARTER ASSY, RECOIL	1	1	1	1				
11	3	114260-76520	CASE, STARTER	1	1	1	1				
12	3	160260-76520	REEL	1	1	1	1				
13	3	160260-76530	RATCHET	1	1	1	1				
14	3	160260-76540	SPRING, SPIRAL	1	1	1	1				
15	3	160260-76550	WASHER, THRUST	1	1	1	1				
16	3	160260-76560	SPRING, FRICTION	1	1	1	1				
17	3	160290-76570	SPRING, RETURN	1	1	1	1				
18	3	160260-76580	COVER	1	1	1	1				
19	3	160260-76590	PLATE, FRICTION	1	1	1	1				
20	3	160260-76600	CIRCLIP	1	1	1	1				
22	4	160260-76620	KNOB, STARTER	1	1	1	1				
23	4	160260-76630	ROPE, STARTER	1	1	1	1				
24	2	114250-76590	PULLEY, STARTER	1	1	1	1				
25	1	114250-76600	PLUNGER	1	1	1	1				
26	1	114250-76610	HOLDER, PLUNGER	1	1	1	1				
27	1	26106-060082	BOLT, M6X 8 PLATED	4	4	4	4				
28	1	26106-060122	BOLT, M6X 12 PLATED	3	3	3	3				

Fig.14. COOLING DEVICE (DGY17M/20M)



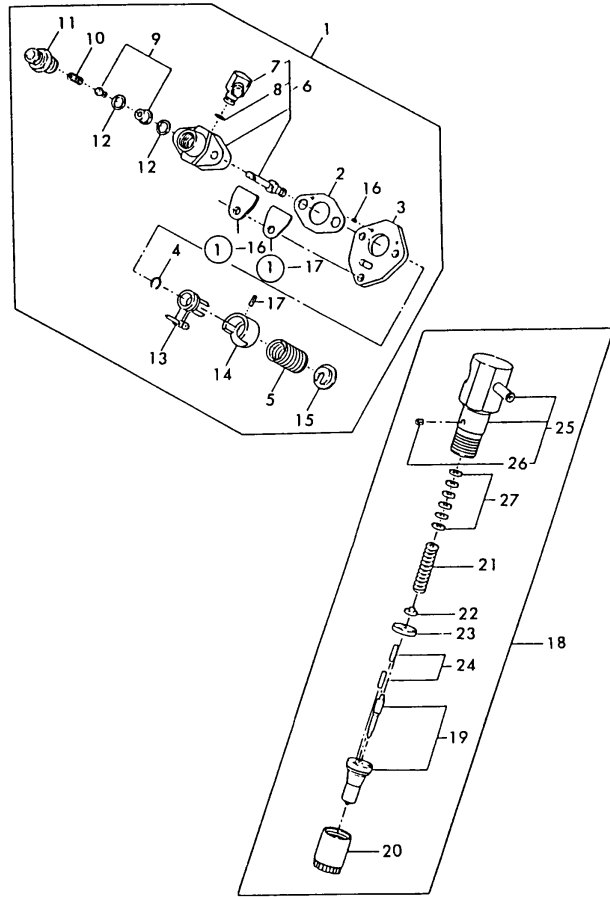
D83266-45100

(A)=DGY17
(B)=DGY20
(C)=DGY17-E

(D)=DGY20-E
(E)=DGY17M
(F)=DGY20M

No.	Lev.	Parts No.	Description	Q'ty						I	R
				(A)	(B)	(C)	(D)	(E)	(F)		
1	1	183266-45110	CASE, COOLING FAN					1	1		
2	1	114250-45210	COVER					1	1		
2-1	1	114250-45211	COVER					1			N
				(E=E#S50071)							
3	1	114250-45300	ABSORBER					4	4		
4	1	183366-45300	SCROLL					1	1		
5	1	114250-45310	COLLAR					4	4		
6	1	183366-45320	ISOLATOR					1	1		
7	1	114250-45330	SEAL, FAN CASE L=875					1	1		
8	1	183366-45340	ISOLATOR					1	1		
8-1	1	183366-45220	COVER ASSY					1	1		R
				(E=ES50202)		(F=ES50202)					
11	1	183266-45360	SPONGE					1	1		
12	1	183366-45400	FAN, COOLING					1	1		
12-1	1	183366-45600	FAN, COOLING					1			N
				(E=E#S50071)							
13	1	183366-45410	COVER, FAN					1	1		
14	1	183266-45460	STAY, SCROLL					1	1		
15	1	160120-76940	WASHER					4	4		
16	1	26014-080302	BOLT, M8X 30					3	3		
17	1	26106-060082	BOLT, M6X 8 PLATED					6	6		
18	1	26106-060122	BOLT, M6X 12 PLATED					14	14		
19	1	26476-060142	SCREW, TAPPING M6X14					1	1		
20	1	26476-060252	SCREW, TAPPING M6X25					4	4		
21	1	26106-060142	BOLT, M6X 14 PLATED					1	1		W
				(E=ES50202)		(F=ES50222)					
22	1	26557-060142	SCREW M 6X 14					1	1		W
				(E=ES50202)		(F=ES50222)					

Fig.15. FUEL INJECTION PUMP & VALVE



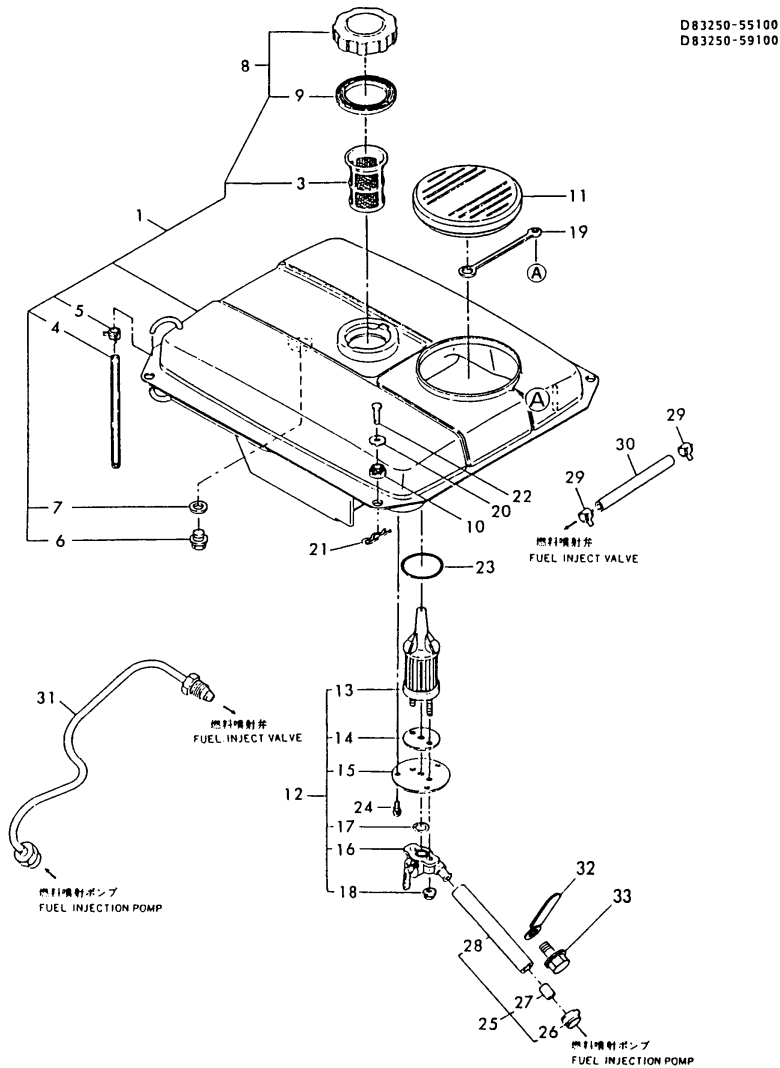
D14250-53101
 D83250-51200
 D83250-51100

(A)=DGY17
 (B)=DGY20
 (C)=DGY17-E

(D)=DGY20-E
 (E)=DGY17M
 (F)=DGY20M

No.	Lev.	Parts No.	Description	Q'ty						I	R
				(A)	(B)	(C)	(D)	(E)	(F)		
1	1	783250-51701	PUMP ASSY, INJECTION	1	1	1	1	1	1		
2	2	105546-51020	GASKET	1	1	1	1	1	1		
3	2	114250-51080	PLATE	1	1	1	1	1	1		
4	2	114250-51150	RING, SNAP	1	1	1	1	1	1		
5	2	114250-51160	SPRING, PLUNGER	1	1	1	1	1	1		
6	2	183250-51200	BODY ASSY, PUMP	1	1	1	1	1	1		
7	3	114250-51180	JOINT, PIPE	1	1	1	1	1	1		
8	3	114250-51190	O-RING, S27	1	1	1	1	1	1		
9	2	114250-51300	VALVE ASSY, DELIVERY	1	1	1	1	1	1		
10	2	105546-51330	SPRING, DELIVERY	1	1	1	1	1	1		
11	2	114250-51340	HOLDER, DELIVERY	1	1	1	1	1	1		
12	2	124550-51350	GASKET, DELIVERY	2	2	2	2	2	2		
13	2	114250-51600	LEVER ASSY, CONTROL	1	1	1	1	1	1		
14	2	114250-51640	SEAT, SPRING A	1	1	1	1	1	1		
15	2	114250-51650	SEAT, SPRING B	1	1	1	1	1	1		
16	1	22351-020006	PIN, SPRING 2.0X 6	2	2	2	2	2	2		
17	1	22351-030008	PIN, SPRING 3.0X 8	1	1	1	1	1	1		
18	1	714250-53101	VALVE ASSY, INJECTION	1	1	1	1	1	1		
19	2	114250-53001	VALVE ASSY, INJECTION	1	1	1	1	1	1		
20	2	114250-53080	NUT, NOZZLE D16.95	1	1	1	1	1	1		
21	2	114250-53120	SPRING, NOZZLE	1	1	1	1	1	1		
22	2	114250-53130	SEAT, SPRING	1	1	1	1	1	1		
23	2	114250-53140	PLATE	1	1	1	1	1	1		
24	2	114250-53210	PIN	2	2	2	2	2	2		
25	2	114250-53300	HOLDER ASSY, NOZZLE	1	1	1	1	1	1		
26	3	114250-53331	PIN	1	1	1	1	1	1		
27	2	114250-53400	SHIM SET	1	1	1	1	1	1		

Fig.16. FUEL TANK & PIPE (DGY17/20(E))



(A)=DGY17
(B)=DGY20
(C)=DGY17-E

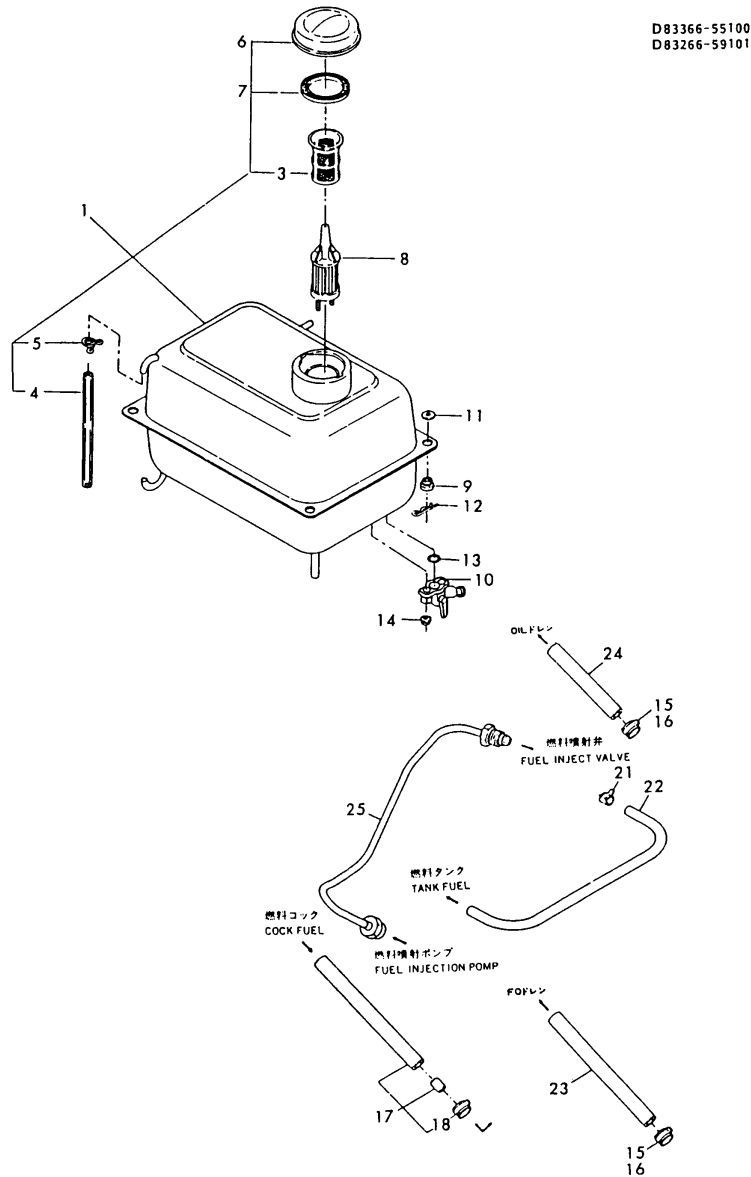
(D)=DGY20-E
(E)=DGY17M
(F)=DGY20M

No.	Lev.	Parts No.	Description	Q'ty						I	R
				(A)	(B)	(C)	(D)	(E)	(F)		
1	1	783250-55700	TANK ASSY, FUEL	1	1	1	1				
3	2	160710-55100	FILTER, FUEL	1	1	1	1				
4	2	104511-55160	GAUGE, LEVEL	1	1	1	1				
5	2	103854-55220	RETAINER	2	2	2	2				
6	2	23887-120002	PLUG, 12	1	1	1	1				
7	2	23414-120000	GASKET, 12X1.0	1	1	1	1				
8	1	183250-55060	CAP, FUEL TANK	1	1	1	1				
8-1	1	160710-55061	CAP ASSY	1	1	1	1				R
		(A=ES51010) (B=ES51009) (C=ES51002) (D=ES50994)									
9	2	160393-55050	GASKET	1	1	1	1				
10	1	183720-55210	GROMMET	4	4	4	4				
11	1	183250-55250	COVER	1	1	1	1				
12	1	183250-55300	COCK ASSY, FUEL	1	1	1	1				
13	2	183250-55120	FILTER, FUEL	1	1	1	1				
14	2	114250-55130	GASKET	1	1	1	1				
15	2	183250-55170	PLATE	1	1	1	1				
16	2	183250-55320	COCK ASSY, FUEL	1	1	1	1				
17	2	24341-000150	O-RING, 1AS15.0	1	1	1	1				
18	2	26366-060002	NUT, M6	2	2	2	2				
19	1	114250-76610	HOLDER, PLUNGER	1	1	1	1				
20	1	160120-76940	WASHER	4	4	4	4				
21	1	22360-060000	PIN, SNAP 6	4	4	4	4				
22	1	22487-060140	PIN, H 6X 14	4	4	4	4				
23	1	24311-000400	O-RING, 1AP40.0	1	1	1	1				
24	1	26022-050102	SCREW, M5X10	7	7	7	7				
25	1	183250-59010	PIPE ASSY, FUEL	1	1	1	1				
26	2	106990-44660	CLIP, HOSE 12.5	3	3	3	3				
27	2	183250-59040	PIECE	1	1	1	1				
28	2	183250-59050	PIPE, FUEL L=134	1	1	1	1				
29	1	124722-59050	CLIP, HOSE 9	2	2	2	2				
30	1	183250-59060	PIPE, FUEL RETURN	1	1	1	1				
31	1	183250-59800	PIPE ASSY, INJECTION	1	1	1	1				
32	1	114254-59300	CLAMP	1	1	1	1				W
		(A=ES50902) (B=ES51009) (C=ES51014) (D=ES51019)									
33	1	26476-060142	SCREW, TAPPING M6X14	1	1	1	1				W
		(A=ES50902) (B=ES51045) (C=ES51097) (D=ES51079)									

Fig.17. FUEL TANK & PIPE (DGY17M/20M)

(A)=DGY17
(B)=DGY20
(C)=DGY17-E

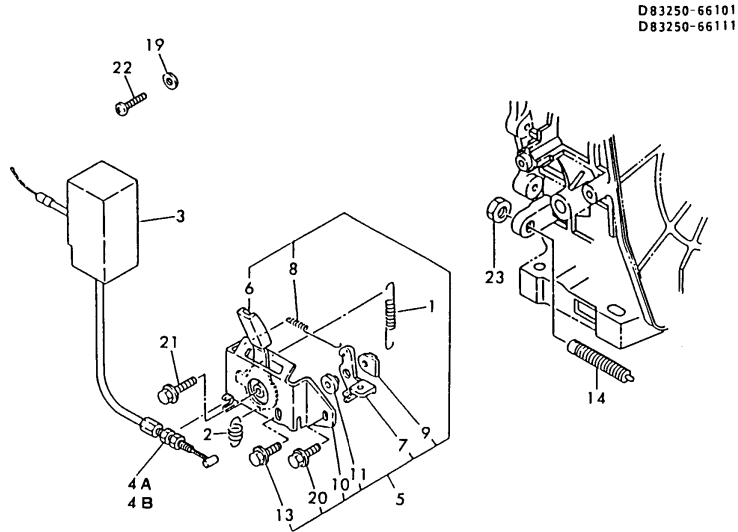
(D)=DGY20-E
(E)=DGY17M
(F)=DGY20M



D83366-55100
D83266-59101

No.	Lev.	Parts No.	Description	Q'ty						I	R	
				(A)	(B)	(C)	(D)	(E)	(F)			
1	1	783366-55700	TANK ASSY, FUEL					1			1	
3	2	160710-55100	FILTER, FUEL					1			1	
4	2	183366-55150	GAUGE, LEVEL					1			1	
5	2	103854-55220	RETAINER					2			2	
6	1	105015-55040	CAP, FUEL TANK					1			1	
7	1	101504-55051	GASKET					1			1	
8	1	183366-55120	FILTER, FUEL					1			1	
9	1	183720-55210	GROMMET					4			4	
10	1	183250-55320	COCK ASSY, FUEL					1			1	
11	1	160120-76940	WASHER					4			4	Z
12	1	22360-060000	PIN, SNAP 6					4			4	Z
								(E=ES50202)			(F=ES50222)	
13	1	24311-000150	O-RING, 1AP15.0					1			1	
14	1	26366-060002	NUT, M6					2			2	
15	1	171008-03990	CLIP, HOSE 18.5					2				W
16	1	106990-44660	CLIP, HOSE 12.5					2				W
								(E=E/#S0102)				
17	1	183366-59010	PIPE ASSY, FUEL					1			1	
18	2	106990-44660	CLIP, HOSE 12.5					3			3	
21	1	124722-59050	CLIP, HOSE 9					2			2	
22	1	183366-59060	PIPE, FUEL RETURN					1			1	
22-1	1	183671-59060	PIPE, FUEL RETURN					1				S
								(E=E/#S0102)				
23	1	183366-59330	PIPE, FUEL RETURN					1			1	
24	1	183366-59340	PIPE, DRAIN L125					1			1	
24-1	1	183366-59341	PIPE					1				S
								(E=E/#S0102)				
25	1	114250-59800	PIPE ASSY, INJECTION					1			1	

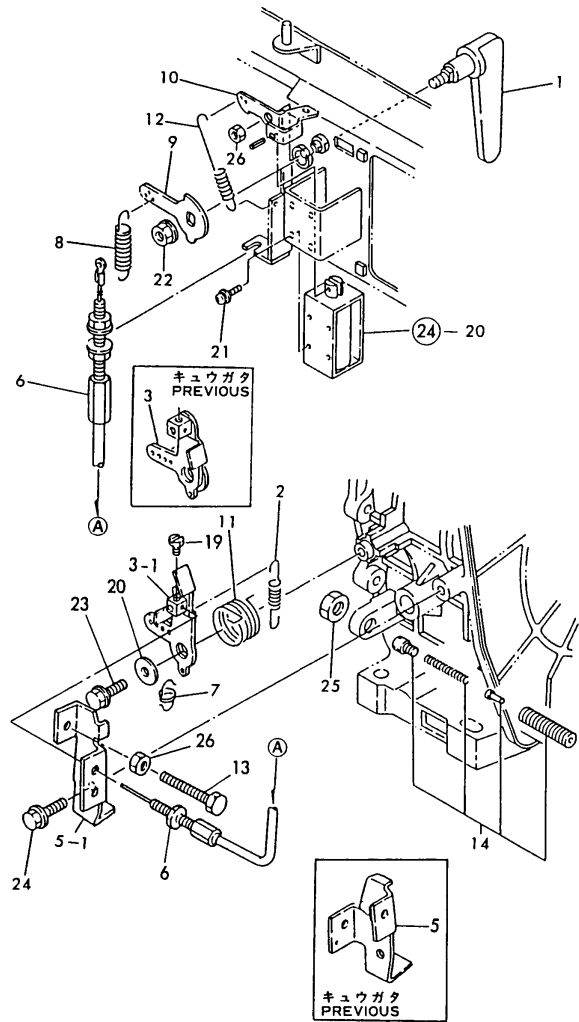
Fig.18. CONTROL DEVICE (DGY17/20(E))



(A)=DGY17
 (B)=DGY20
 (C)=DGY17-E
 (D)=DGY20-E
 (E)=DGY17M
 (F)=DGY20M

No.	Lev.	Parts No.	Description	Q'ty						I	R
				(A)	(B)	(C)	(D)	(E)	(F)		
1	1	114250-66010	SPRING, REGULATOR	1	1	1	1				
2	1	114250-66200	SPRING, RETURN	1	1	1	1				
3	1	183250-66410	COVER	1	1	1	1				
4A	1	183250-66420	WIRE	1	1						
4B	1	183350-66420	WIRE, L=180			1	1				
5	1	183250-66511	BRACKET ASSY, HANDLE	1	1	1	1				
6	2	183250-66301	HANDLE	1	1	1	1				
7	2	183250-66321	LEVER, LOCK	1	1	1	1				
8	2	183250-66331	SPRING	1	1	1	1				
9	2	183250-66341	NUT, LOCK	1	1	1	1				
10	2	183250-66351	BRACKET	1	1	1	1				
11	2	183250-66361	COLLAR	1	1	1	1				
12	2	183250-66371	COLLAR	1	1	1	1				
13	2	26106-060162	BOLT, M6X 16 PLATED	1	1	1	1				
14	1	114250-66550	LIMITER ASSY, FUEL	1	1	1	1				
19	1	23418-050000	GASKET, 5X1.0	1	1	1	1				
20	1	26476-060142	SCREW, TAPPING M6X14	1	1	1	1				
21	1	26476-060252	SCREW, TAPPING M6X25	1	1	1	1				
22	1	26557-040082	SCREW, M4X 8	2	2	2	2				
23	1	26696-100002	NUT, LOCK M10	1	1	1	1				

Fig.19. CONTROL DEVICE (DGY17M/20M)



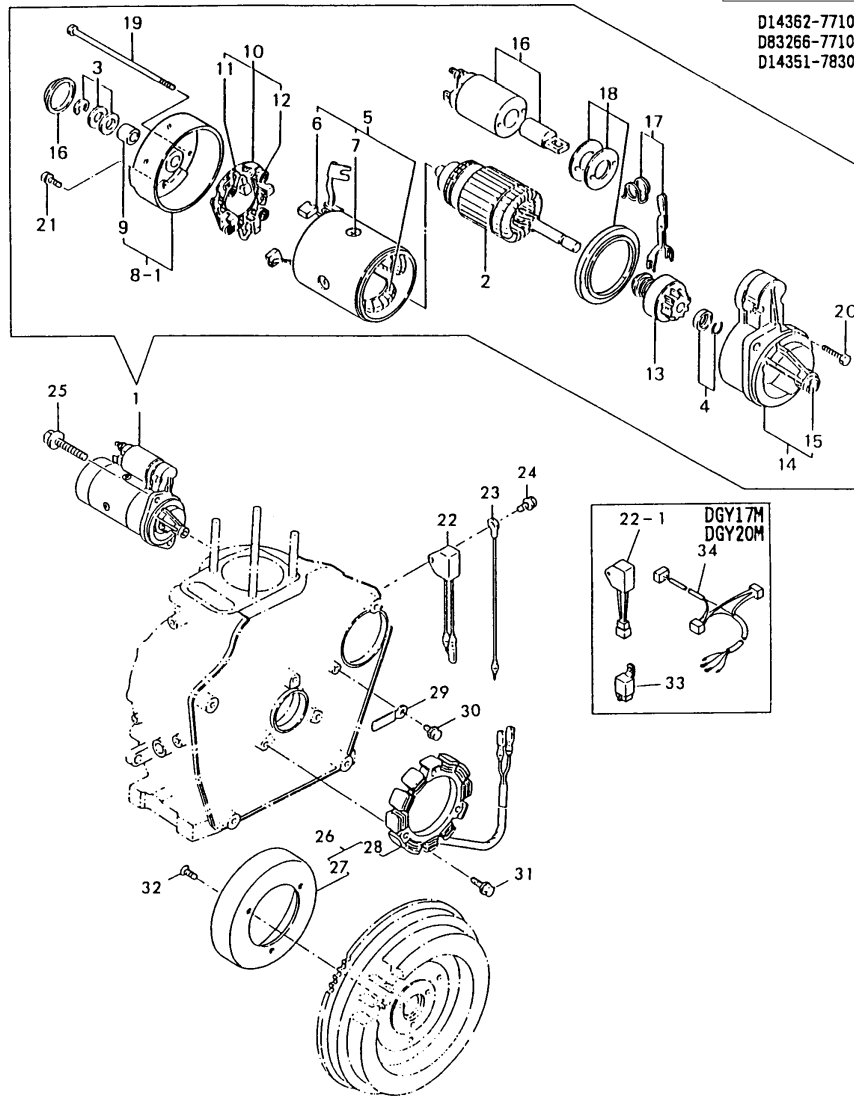
D83266-66101

(A)=DGY17
(B)=DGY20
(C)=DGY17-E

(D)=DGY20-E
(E)=DGY17M
(F)=DGY20M

No.	Lev.	Parts No.	Description	Q'ty						I	R
				(A)	(B)	(C)	(D)	(E)	(F)		
1	1	194215-61210	LEVER, HOOD LOCK					1	1		
2	1	114250-66010	SPRING, REGULATOR					1	1		
3	1	114252-66051	HANDLE, REGULATOR					1	1		
3-1	1	114252-66060	HANDLE, REGULATOR					1			S
				(E=E/#S0204)							
5	1	114252-66110	BRACKET					1	1		
5-1	1	114252-66120	BRACKET					1			S
				(E=E/#S0204)							
6	1	183266-66110	WIRE					1	1		
7	1	114250-66200	SPRING, RETURN					1	1		
8	1	183266-66210	SPRING					1	1		
9	1	183266-66230	LEVER, LOCK					1	1		
10	1	183266-66240	LEVER, LOCK					1	1		
11	1	114252-66252	SPRING, RETURN					1	1		
12	1	183250-66331	SPRING					1	1		
13	1	114250-66440	BOLT, ADJUSTING					1	1		
14	1	114250-66550	LIMITER ASSY, FUEL					1	1		
19	1	105225-66990	SCREW, M5X8.5					1	1		
20	1	160120-76940	WASHER					1	1		
21	1	26023-030082	SCREW, M3X 8					4	4		
22	1	26366-080002	NUT, M8					1	1		
23	1	26476-060142	SCREW, TAPPING M6X14					1	1		
24	1	26476-060202	SCREW, TAPPING M6X20					1	1		
25	1	26696-100002	NUT, LOCK M10					1	1		
26	1	26757-060002	NUT, LOCK M6					2	2		
26-1	1	26757-060002	NUT, LOCK M6					1	1		K
				(E=E/#S0204)		(F=E/#S0204)					

Fig.20. STARTING MOTOR & DYNAMO

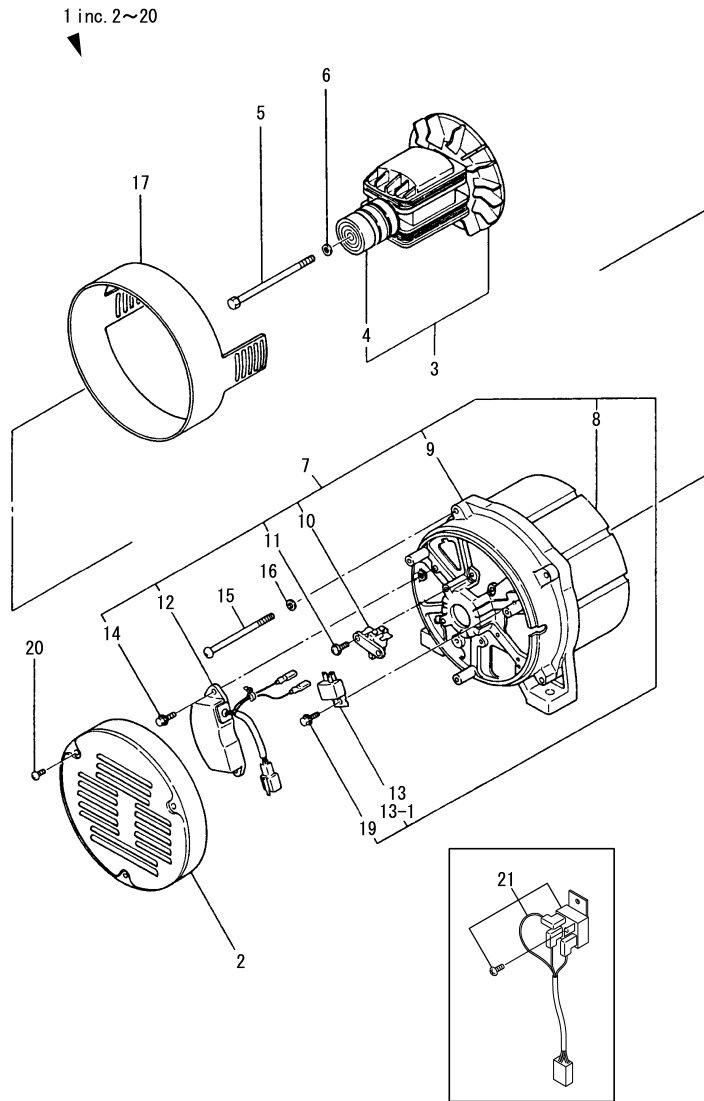


(A)=DGY17
(B)=DGY20
(C)=DGY17-E

(D)=DGY20-E
(E)=DGY17M
(F)=DGY20M

No.	Lev.	Parts No.	Description	Q'ty						I	R
				(A)	(B)	(C)	(D)	(E)	(F)		
1	1	114362-77010	STARTER, S114-414A	1	1	1	1				
2	2	X211461008	ARMATURE	1	1	1	1				
3	2	X21148110	WASHER SET, THRUST	1	1	1	1				
4	2	X21147155	STOPPER SET, PINION	1	1	1	1				
5	2	X211462104	FIELD COIL ASSY	1	1	1	1				
6	3	X21145312	BRUSH, +	2	2	2	2				
7	3	X21143215	SCREW, CORE	4	4	4	4				
8-1	2	X211473008	COVER, REAR	1	1	1	1				
9	3	X21145352	METAL	1	1	1	1				
10	2	X211489001	HOLDER ASSY, BRUSH	1	1	1	1				
11	3	X21148313	BRUSH (-)	1	1	1	1				
12	3	X21149314	SPRING, BRUSH	3	3	3	3				
13	2	X211445508	PINION ASSY	1	1	1	1				
14	2	X211416603	HOUSING ASSY, GEAR	1	1	1	1				
15	3	X21145352	METAL	1	1	1	1				
16	2	X211478006	COVER KIT	1	1	1	1				
17	2	X211456013	LEVER KIT, SHIFT	1	1	1	1				
18	2	X211427501	SWITCH, MAGNETIC	1	1	1	1				
19	2	X211468005	BOLT, THROUGH	2	2	2	2				
20	2	X21145867	BOLT, M6	2	2	2	2				
21	2	X21142835	SCREW SET	1	1	1	1				
22	1	160970-77350	RECTIFIER, ZR2117	1	1	1	1				
22-1	1	183256-78300	REGULATOR					1			S
				(E=E#S50028)							
23	1	183350-77400	WIRE, LEAD	1	1	1	1				
24	1	26106-060122	BOLT, M6X 12 PLATED	1	1	1	1				
24-1	1	26106-060122	BOLT, M6X 12 PLATED					1	1		Z
				(E=E#S50028)		(F=E#S50028)					
25	1	26106-100302	BOLT, M10X 30 PLATED	2	2	2	2				
26	1	114351-78200	DYNAMO ASSY	1	1	1	1				
26-1	1	114351-78250	DYNAMO ASSY	1	1	1	1				S
				(C=ES50579) (D=ES50659)		(E=ES50106) (F=ES50108)					
27	2	114351-78610	WHEEL, DYNAMO	1	1	1	1				
27-1	2	114351-78760	WHEEL, DYNAMO	1	1	1	1				S
				(C=ES50579) (D=ES50659)		(E=ES50106) (F=ES50108)					
28	2	114351-78620	STATOR ASSY	1	1	1	1				
28-1	2	114351-78750	STATOR ASSY	1	1	1	1				S
				(C=ES50579) (D=ES50659)		(E=ES50106) (F=ES50108)					
29	1	160710-78710	CLAMP, CORD	1	1	1	1				
30	1	26476-060142	SCREW, TAPPING M6X14	1	1	1	1				
31	1	26476-060202	SCREW, TAPPING M6X20	3	3	3	3				
32	1	26577-060142	SCREW M 6X 14	3	3	3	3				
33	1	183256-78310	RELAY					1			W
				(E=E#S50028)							
34	1	183266-91390	HARNESS, WIRE					1			W
				(E=E#S50028)							

Fig.21. GENERATOR



(A)=DGY17
(B)=DGY20
(C)=DGY17-E

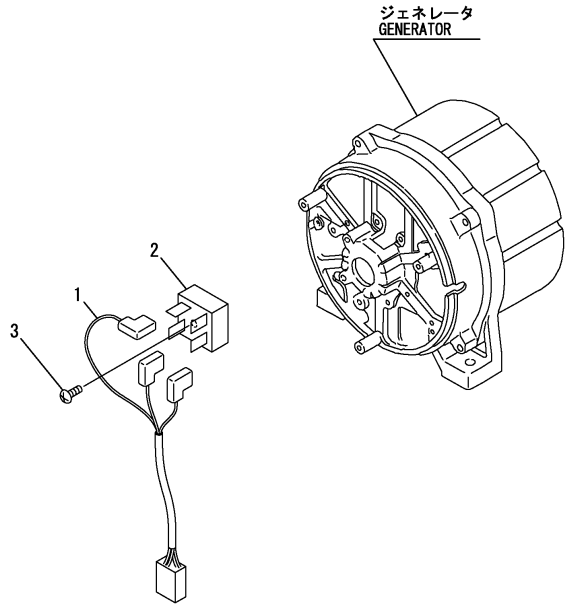
(D)=DGY20-E
(E)=DGY17M
(F)=DGY20M

No.	Lev.	Parts No.	Description	Q'ty						I	R
				(A)	(B)	(C)	(D)	(E)	(F)		
1	1	183250-74051	GENELATOR 2.0KVA	1	1	1	1	1	1		
2	2	183250-74400	COVER, GENERATOR END	1	1	1	1	1	1		
3	2	183250-74351	ROTOR ASSY	1	1	1	1	1	1		
4	3	183620-74360	BALL BEARING	1	1	1	1	1	1		
5	2	183250-74430	BOLT	1	1	1	1	1	1		
6	2	22217-080000	WASHER, SPRING 8	1	1	1	1	1	1		
7	2	183250-74201	STATOR	1	1	1	1	1	1		
8	3	183250-74290	STATOR	1	1	1	1	1	1		
8-1	3	183250-74291	STATOR	1	1	1	1	1	1	F	1
		(A=EZZZZZ)	(B=EZZZZZ)	(C=EZZZZZ)	(D=EZZZZZ)	(E=EZZZZZ)	(F=EZZZZZ)				
9	3	183250-74281	COVER, REAR	1	1	1	1	1	1		
10	3	183250-74271	BRUSH ASSY	1	1	1	1	1	1		
10-1	3	183250-74272	BRUSH ASSY	1	1	1	1	1	1	N	
		(A=EZZZZZ)	(B=EZZZZZ)	(C=EZZZZZ)	(D=EZZZZZ)	(E=EZZZZZ)	(F=EZZZZZ)				
11	3	183820-74300	SCREW	2	2	2	2	2	2		
12	3	183820-74210	A.V.R. 200V(100V)	1	1	1	1	1	1		
13	3	183720-74460	LECTIFIER	1	1	1	1	1	1		2
13-1	3	183387-74250	RECTIFIER	1	1	1	1	1	1	S	
		(A=EZZZZZ)	(B=EZZZZZ)	(C=EZZZZZ)	(D=EZZZZZ)	(E=EZZZZZ)	(F=EZZZZZ)				
14	2	183820-74300	SCREW	2	2	2	2	2	2		
15	2	183250-74410	SCREW, M6	4	4	4	4	4	4		
16	2	22217-060000	WASHER, SPRING 6	4	4	4	4	4	4		
17	2	183250-74101	BAND	1	1	1	1	1	1		
19	3	183520-91290	SCREW M 4X 8	2	2	2	2	2	2		
20	2	26022-040082	SCREW, M4X 8	3	3	3	3	3	3		
21	1	184120-99100	RECTIFIER ASSY	1	1	1	1	1	1	W	
		(A=*2013.05)	(B=*2013.05)	(C=*2013.05)	(D=*2013.05)	(E=*2013.05)	(F=*2013.05)				

Remarks

- (1)Interchangeable by simultaneous replacement with No.21.
- (2)Interchangeable with No.21.

Fig.26. (21A)RECTIFIER & HARNESS(SPARE PARTS)



(A)=DGY17
(B)=DGY20
(C)=DGY17-E

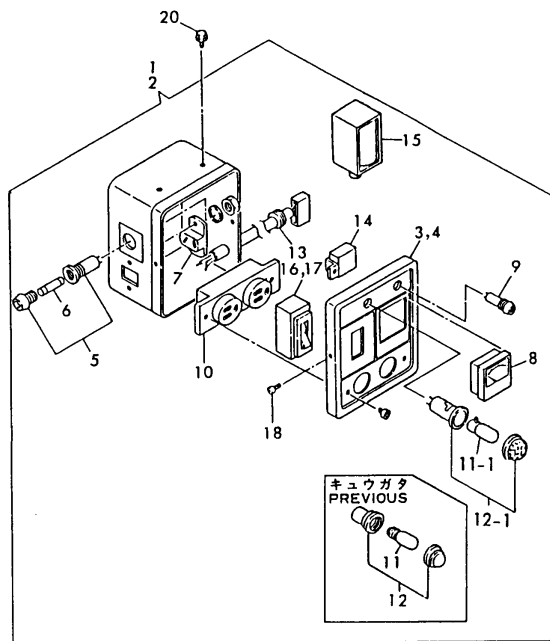
(D)=DGY20-E
(E)=DGY17M
(F)=DGY20M

No.	Lev.	Parts No.	Description	Q'ty						I	R
				(A)	(B)	(C)	(D)	(E)	(F)		
1	1	184120-99200	HARNESS ASSY	1	1	1	1	1	1	1	W
		(A=EZZZZZ)	(B=EZZZZZ)	(C=EZZZZZ)	(D=EZZZZZ)	(E=EZZZZZ)	(F=EZZZZZ)				
2	1	183387-74250	RECTIFIER	1	1	1	1	1	1	1	W
		(A=EZZZZZ)	(B=EZZZZZ)	(C=EZZZZZ)	(D=EZZZZZ)	(E=EZZZZZ)	(F=EZZZZZ)				
3	1	183387-74260	SCREW	1	1	1	1	1	1	1	W
		(A=EZZZZZ)	(B=EZZZZZ)	(C=EZZZZZ)	(D=EZZZZZ)	(E=EZZZZZ)	(F=EZZZZZ)				

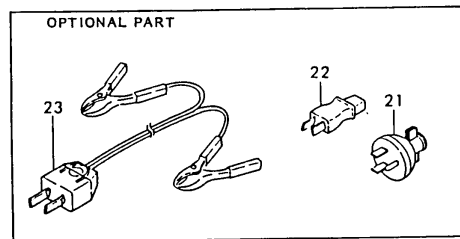
Remarks

*This FIG applies to machines equipped with the old rectifier and in which the parts (new rectifier/wire harness assy/screw) have been replaced individually.

Fig.22. PANEL (DGY17/20)



D83250-91101
D83260-91101



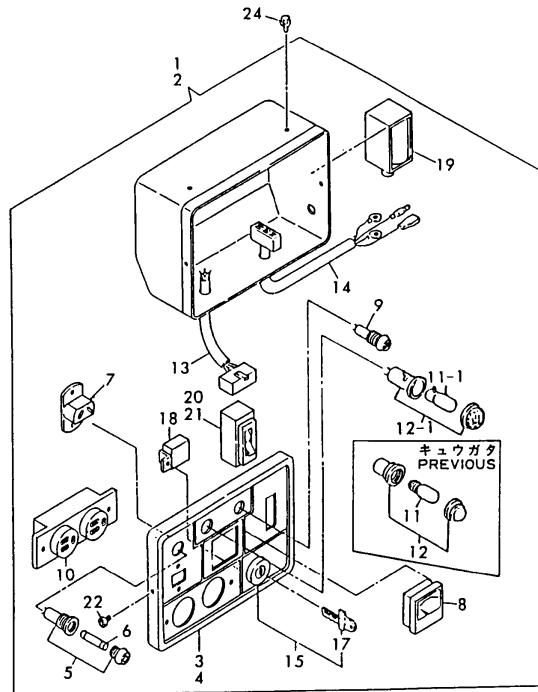
(A)=DGY17
(B)=DGY20
(C)=DGY17-E

(D)=DGY20-E
(E)=DGY17M
(F)=DGY20M

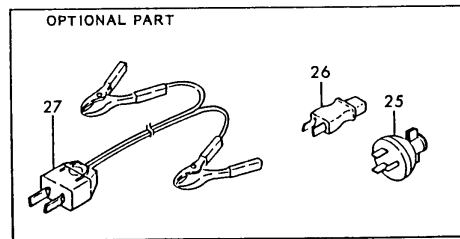
No.	Lev.	Parts No.	Description	Q'ty						I	R
				(A)	(B)	(C)	(D)	(E)	(F)		
1	1	183250-91051	PANEL BOX ASSY	1							
2	1	183260-91051	PANEL BOX ASSY		1						
3	2	183250-91201	PANEL ASSY	1							
4	2	183260-91201	PANEL ASSY		1						
5	3	183620-91230	HOLDER, FUSE	1	1						
6	3	183720-91240	FUSE (15A)	1	1						
7	3	183720-91250	PLUG SOCKET (DC 12V)	1	1						
8	3	183820-91290	VOLT METER (150V)	1	1						
9	3	183820-91320	BULB, AC110V	1	1						
10	3	183920-91320	SOCKET, 125VX2	1	1						
11	3	183366-91330	BULB, L.O.ALART	1	1						
11-1	3	183000-97110	BULB, L.O.ALART	1	1						S
(A=ES0104) (B=ES-0102)											
12	3	183000-97510	SOCKET, LAMP	1	1						
12-1	3	183000-97500	SOCKET, LAMP	1	1						S
(A=ES0104) (B=ES-0102)											
13	3	183250-91370	HARNESS	1	1						
14	3	183266-91680	RELAY	1	1						
15	3	183266-91690	DC.SOLENOID(12V)	1	1						
16	3	183920-91710	CIRCUIT BREAKER(17A)	1							
17	3	183720-91230	CIRCUIT BREAKER(20A)		1						
18	2	183520-91290	SCREW M 4X 8	2	2						
20	1	26106-060082	BOLT, M6X 8 PLATED	3	3						
21	1	183720-91750	PLUG, 125VX15A	1	1						1
22	1	183720-91790	PLUG, DC12V	1	1						1
23	1	183210-91880	CABLE, CHARGING	1	1						1

Remarks
(1) OPTIONAL PARTS

Fig.23. PANEL (DGY17E/20E)



D83251-91111
D83261-91111



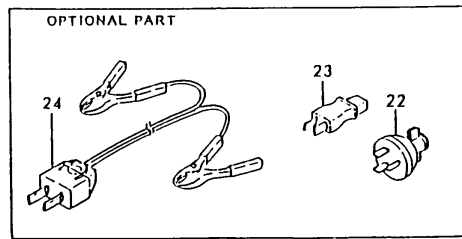
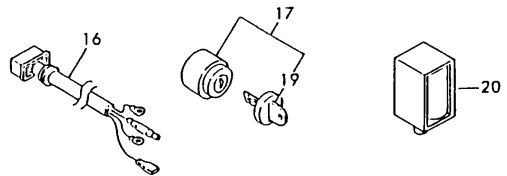
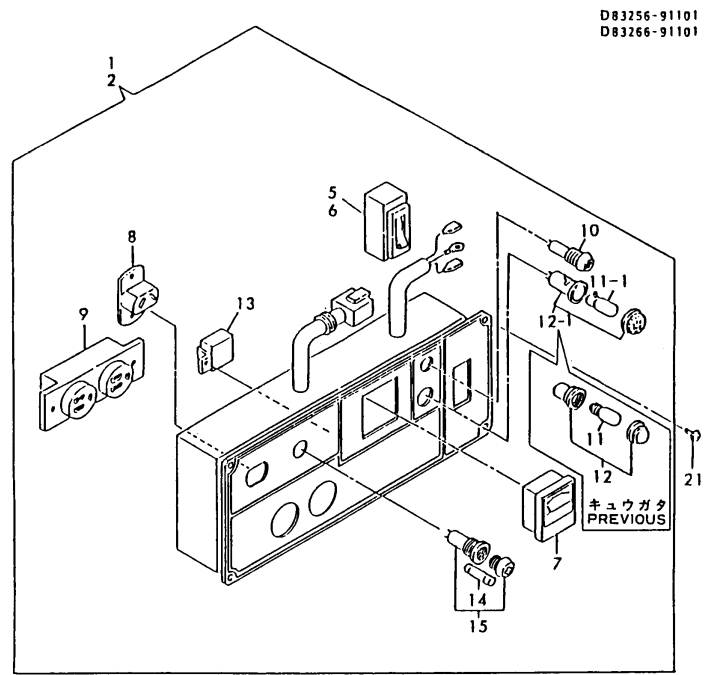
(A)=DGY17
(B)=DGY20
(C)=DGY17-E

(D)=DGY20-E
(E)=DGY17M
(F)=DGY20M

No.	Lev.	Parts No.	Description	Q'ty						I	R
				(A)	(B)	(C)	(D)	(E)	(F)		
1	1	183250-91061	BOX ASSY,PANEL(50HZ)			1					
2	1	183260-91061	BOX ASSY,PANEL(60HZ)				1				
3	2	183250-91211	PANEL ASSY			1					
4	2	183260-91211	PANEL ASSY					1			
5	3	183620-91230	HOLDER, FUSE			1	1				
6	3	183720-91240	FUSE (15A)			1	1				
7	3	183720-91250	PLUG SOCKET (DC 12V)			1	1				
8	3	183820-91290	VOLT METER (150V)			1	1				
9	3	183820-91320	BULB, AC110V			1	1				
10	3	183920-91320	SOCKET, 125VX2			1	1				
11	3	183366-91330	BULB, L.O.ALART			1	1				
11-1	3	183000-97110	BULB, L.O.ALART			1	1				S
			(C=ES0132) (D=ES0102)								
12	3	183000-97510	SOCKET, LAMP			1	1				
12-1	3	183000-97500	SOCKET, LAMP			1	1				S
			(C=ES0132) (D=ES0102)								
13	3	183250-91370	HARNESS			1	1				
14	3	183351-91380	HARNESS, WIRE			1	1				
15	3	183920-91450	SWITCH ASSY, KEY			1	1				
17	4	183920-91280	KEY, STARTER SWITCH			1	1				
18	3	183266-91680	RELAY			1	1				
19	3	183266-91690	DC.SOLENOID(12V)			1	1				
20	3	183920-91710	CIRCUIT BREAKER(17A)			1					
21	3	183720-91230	CIRCUIT BREAKER(20A)				1				
22	2	183520-91290	SCREW M 4X 8			2	2				
24	1	26106-060082	BOLT, M6X 8 PLATED			3	3				
25	1	183720-91750	PLUG, 125VX15A			1	1				
26	1	183720-91790	PLUG, DC12V			1	1				1
27	1	183210-91880	CABLE, CHARGING			1	1				1

Remarks
(1) OPTIONAL PARTS

Fig.24. PANEL (DGY17M/20M)



(A)=DGY17
(B)=DGY20
(C)=DGY17-E
(D)=DGY20-E
(E)=DGY17M
(F)=DGY20M

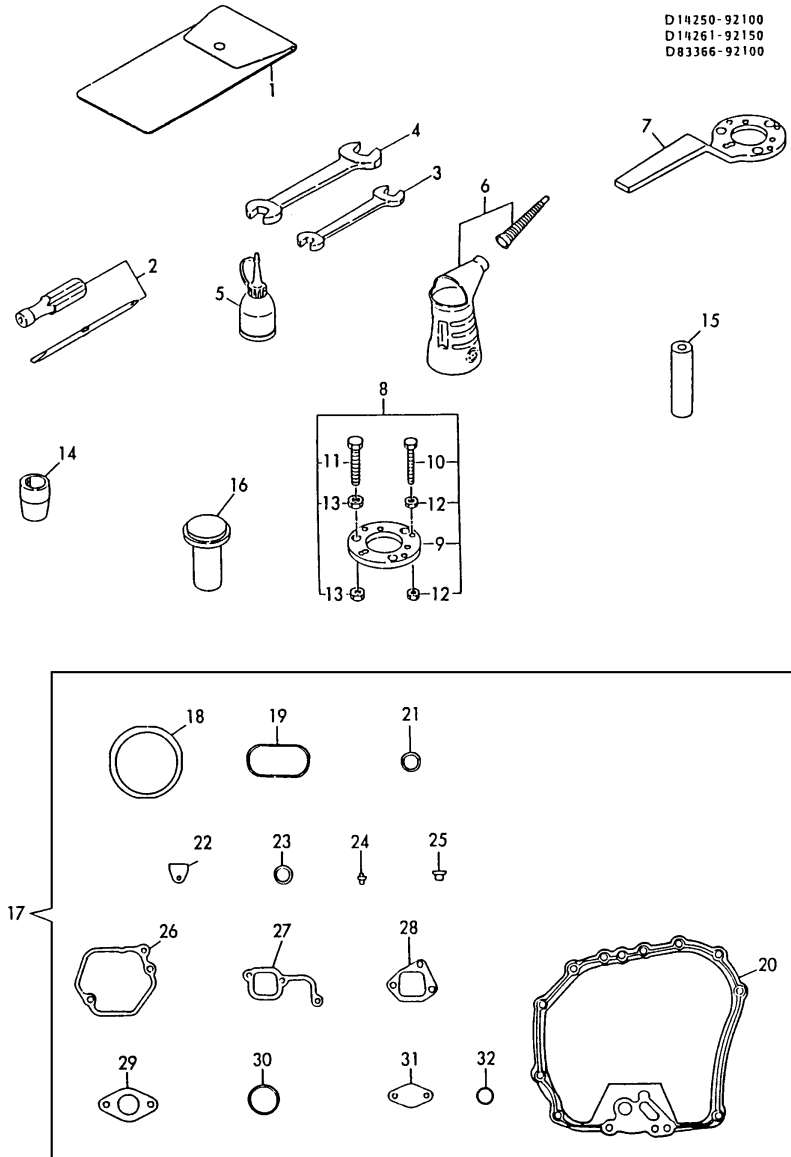
No.	Lev.	Parts No.	Description	Q'ty						I	R
				(A)	(B)	(C)	(D)	(E)	(F)		
1	1	183256-91051	PANEL ASSY.					1			
2	1	183266-91051	PANEL ASSY.							1	
5	2	183920-91710	CIRCUIT BREAKER(17A)					1			
6	2	183720-91230	CIRCUIT BREAKER(20A)							1	
7	2	183820-91290	VOLT METER (150V)					1		1	
8	2	183250-91250	PLUG SOCKET (DC 12V)					1		1	
9	2	183920-91320	SOCKET, 125VX2					1		1	
10	2	183820-91320	BULB, AC110V					1		1	
11	2	183366-91330	BULB, L.O.ALART					1		1	
11-1	3	183000-97110	BULB, L.O.ALART					1			S
								(E=*1986.07)			
12	3	183000-97510	SOCKET, LAMP					1		1	
12-1	3	183000-97500	SOCKET, LAMP					1			S
								(E=*1986.07)			
13	2	183266-91680	RELAY					1		1	
14	2	183720-91240	FUSE (15A)					1		1	
15	2	183620-91230	HOLDER, FUSE					1		1	
16	1	183351-91380	HARNESS, WIRE					1		1	
17	1	183920-91450	SWITCH ASSY, KEY					1		1	
17-1	1	1N1730-51250	KEY SWITCH					1			N
								(E=E#S50028)			
17-2	1	160797-77250	SWITCH ASSY, KEY					1		1	R
								(E=ES50202)		(F=ES50227)	
19	2	183920-91280	KEY, STARTER SWITCH					1		1	
19-1	2	1N1730-51240	KEY, REVERSE					1			S
								(E=E#S50028)			
19-2	2	160797-77270	KEY, REVERSE					1		1	R
								(E=ES50202)		(F=ES50227)	
20	1	183250-91690	DC.SOLENOID(12V.10W)					1		1	
21	1	26022-050102	SCREW, M5X10					6		6	
22	1	183720-91750	PLUG, 125VX15A					1		1	1
23	1	183720-91790	PLUG, DC12V					1		1	1
24	1	183210-91880	CABLE, CHARGING					1		1	1

Remarks
(1) OPTIONAL PARTS

Fig.25. TOOLS & GASKET SET

(A)=DGY17
(B)=DGY20
(C)=DGY17-E

(D)=DGY20-E
(E)=DGY17M
(F)=DGY20M



D14250-92100
D14261-92150
D83366-92100

No.	Lev.	Parts No.	Description	Q'ty						I	R
				(A)	(B)	(C)	(D)	(E)	(F)		
1	1	114250-92600	BAG, TOOL	1	1	1	1	1	1		
2	1	160330-92730	DRIVE, SCREW	1	1	1	1	1	1		
3	1	28110-100120	SPANNER, 10X12	1	1	1	1	1	1		
4	1	28110-140170	SPANNER, 14X17	1	1	1	1	1	1		
5	1	28210-000150	OILER	1	1	1	1	1	1		
6	1	7E4133-99290	JUG ASSY, OIL							1	1
7	1	114250-92101	F.W. LOCKING HANDLE	1	1	1	1	1	1	1	1
8	1	114250-92130	REMOVER, FLYWHEEL	1	1	1	1	1	1	1	1
9	2	114250-92121	TOOL, WHEEL REMOVER	1	1	1	1	1	1	1	1
10	2	26116-060454	BOLT M 6X 45 PLATED	4	4	4	4	4	4	4	1
11	2	26116-080454	BOLT, M8X 45 PLATED	3	3	3	3	3	3	3	1
12	2	26716-060002	NUT, M6	8	8	8	8	8	8	8	1
13	2	26716-080002	NUT, M8	6	6	6	6	6	6	6	1
14	1	114250-92311	INSTALLING TOOL	1	1	1	1	1	1	1	1
15	1	114250-92350	INSTALLING TOOL	1	1	1	1	1	1	1	1
16	1	183250-92350	ROTOR REMOVER	1	1	1	1	1	1	1	1
17	1	714250-92601	GASKET SET	1	1	1	1	1	1	1	1
18	2	114250-01340	GASKET, HEAD	1	1	1	1	1	1	1	1
19	2	114250-01380	O-RING	1	1	1	1	1	1	1	1
20	2	114250-01411	GASKET, CRANK CASE	1	1	1	1	1	1	1	1
21	2	24311-000180	O-RING, 1AP18.0	2	2	2	2	2	2	2	1
22	2	114250-01840	GASKET	1	1	1	1	1	1	1	1
23	2	43400-500490	SEAL WASHER 16S	2	2	2	2	2	2	2	1
24	2	114250-11340	SEAL, VALVE STEM	2	2	2	2	2	2	2	1
25	2	114250-11460	GASKET, NOZZLE	1	1	1	1	1	1	1	1
26	2	114250-11310	GASKET, BONNET	1	1	1	1	1	1	1	1
27	2	114250-12200	GASKET	1	1	1	1	1	1	1	1
28	2	114250-12210	GASKET, AIR CLEANER	1	1	1	1	1	1	1	1
29	2	114250-13200	GASKET, MUFFLER	1	1	1	1	1	1	1	1
30	2	103338-32570	O-RING	1	1	1	1	1	1	1	1
31	2	114250-35270	GASKET	1	1	1	1	1	1	1	1
32	2	24341-000224	O-RING, 1AS22.4	1	1	1	1	1	1	1	1

Remarks
(1) OPTION TOOLS

Parts No. Index

Parts No.	Fig. No.	Ref. No.
101147-12550	3	27
101504-55051	17	7
103338-32570	12	3
	25	30
103854-01221	10	15
103854-55220	16	5
	17	5
104511-55160	16	4
105015-55040	17	6
105025-11230	6	15
		19
105225-66990	19	19
105425-01690	1	11
	4	1
	5	1
105430-13570	9	4
105430-67110	3	29
105546-51020	15	2
105546-51330	15	10
105990-07920	4	2
	5	2
106990-44660	16	26
	17	16
		18
114250-01020	1	1
114250-01200	1	2
114250-01210	1	3
114250-01220	1	4
114250-01250	1	5
114250-01340	1	7
	25	18
114250-01380	1	8
	25	19
114250-01410	1	9
114250-01411	1	9 -1
	25	20
114250-01740	1	12
114250-01800	1	15
114250-01830	1	16
114250-01840	1	17
	25	22
114250-02030	10	1
114250-02100	1	33
	10	2
114250-02112	10	3
114250-02113	10	3 -1
114250-02200	1	34
114250-02210	1	35
114250-03591	8	4
114250-03640	7	9

Parts No.	Fig. No.	Ref. No.
114250-03640	8	7
114250-11020	6	1
114250-11101	6	2
114250-11112	6	3
114250-11120	6	4
114250-11180	6	5
114250-11190	6	6
114250-11240	6	15 -1
		19 -1
114250-11290	6	7
114250-11310	7	5
	8	1
	25	26
114250-11340	6	8
	25	24
114250-11460	6	10
	25	25
114250-11600	6	12
114250-11650	6	13
114250-11651	6	13 -1B
114250-11660	6	17
114250-11661	6	17 -1B
114250-11780	6	13 -1A
114250-11790	6	17 -1A
114250-11900	6	21
114250-11951	8	2
114250-12010	7	20
	8	14
114250-12200	7	21
	8	15
	25	27
114250-12210	7	22
	8	16
	25	28
114250-12520	7	26
	8	20
114250-12530	7	27
114250-12550	7	30
	8	24
114250-12560	7	28
	8	22
114250-12580	7	29
	8	23
114250-13200	9	1
		20
		24
	25	29
114250-14200	10	12
114250-14260	10	13
114250-14400	10	14

Parts No.	Fig. No.	Ref. No.
114250-14450	10	14 -2
114250-14900	10	14 -1A
114250-21550	10	21
114250-22302	11	7
114250-23200	11	13
114250-23220	11	14
114250-23250	11	15
114250-32010	12	1
114250-32070	12	2
114250-35060	12	6
114250-35250	12	7
114250-35270	12	8
	25	31
114250-45210	13	2
	14	2
114250-45211	13	2 -1
	14	2 -1
114250-45300	13	3
	14	3
114250-45310	13	4
	14	5
114250-45330	13	5
	14	7
114250-51080	15	3
114250-51150	15	4
114250-51160	15	5
114250-51180	15	7
114250-51190	15	8
114250-51300	15	9
114250-51340	15	11
114250-51600	15	13
114250-51640	15	14
114250-51650	15	15
114250-53001	15	19
114250-53080	15	20
114250-53120	15	21
114250-53130	15	22
114250-53140	15	23
114250-53210	15	24
114250-53300	15	25
114250-53331	15	26
114250-53400	15	27
114250-55130	16	14
114250-59800	17	25
114250-61900	12	21
114250-66010	18	1
	19	2
114250-66200	18	2
	19	7
114250-66440	19	13

Parts No.	Fig. No.	Ref. No.
114250-66550	18	14
	19	14
114250-76590	13	24
114250-76600	8	28
	13	25
114250-76610	8	29
	13	26
	16	19
114250-92101	25	7
114250-92121	25	9
114250-92130	25	8
114250-92311	25	14
114250-92350	25	15
114250-92600	25	1
114250-99100	1	1 -2
114252-66051	19	3
114252-66060	19	3 -1
114252-66110	19	5
114252-66120	19	5 -1
114252-66252	19	11
114254-59300	16	32
114260-21400	10	23
114260-21401	10	23 -1
114260-45100-R	13	1
114260-45101-R	13	1 -1
114260-76050	13	9
114260-76250	13	10
114260-76520	13	11
114261-01450	1	10
114261-01451	1	10 -1
114261-07350	2	26
114262-21590	10	24
114262-21591	10	24 -1
114262-21600	10	26
		29
114350-01700	1	1 -2C
114350-11470	6	11
114351-78200	20	26
114351-78250	20	26 -1
114351-78610	20	27
114351-78620	20	28
114351-78750	20	28 -1
114351-78760	20	27 -1
114362-77010	20	1
114658-13800	9	16
121450-61520	12	20
121750-59890	3	28
	4	44
	5	49
124550-51350	15	12

Parts No. Index

Parts No.	Fig. No.	Ref. No.
124722-59050	16	29
	17	21
124950-01250	1	6
129100-61850	8	13
160110-01870	1	18
160110-02220	10	4 A
160120-76940	4	28
	5	32
	13	6
	14	15
	16	20
	17	11
	19	20
160210-02220	10	4 B
160260-76520	13	12
160260-76530	13	13
160260-76540	13	14
160260-76550	13	15
160260-76560	13	16
160260-76580	13	18
160260-76590	13	19
160260-76600	13	20
160260-76620	13	22
160260-76630	13	23
160290-76570	13	17
160330-92730	25	2
160393-55050	16	9
160670-66350	7	14
160710-01760	1	12 -1
160710-55061	16	8 -1
160710-55100	16	3
	17	3
160710-78710	20	29
160797-77250	24	17 -2
160797-77270	24	19 -2
160810-55480	4	24
	5	28
160970-77350	20	22
171008-03990	17	15
171022-39470	1	28
183000-97110	22	11 -1
	23	11 -1
	24	11 -1
183000-97500	22	12 -1
	23	12 -1
	24	12 -1
183000-97510	22	12
	23	12
	24	12
183101-08550	4	21

Parts No.	Fig. No.	Ref. No.
183101-08550	5	25
183210-07390	2	13
183210-08810	4	22
	5	26
183210-91880	22	23
	23	27
	24	24
183250-03410	7	1
183250-03450	7	2
183250-03510	7	3
183250-03550	7	4
183250-03601	7	8
183250-07120	2	25
183250-07210	2	2
183250-07260	2	9
183250-07450	2	14
183250-07480	2	15
183250-07750	2	16
		27
183250-07900	2	17
183250-08050-R	3	1
183250-08150	3	2
		15
183250-08160	3	3
		16
183250-08210	3	4
		17
183250-08220	3	4 -1
		17 -1
	4	15
	5	15
183250-08230-R	3	5
		18
183250-08250-R	3	6
		19
183250-08270	3	7
		20
183250-11951	7	6
183250-12400	7	23
183250-13510	9	21
183250-21350	10	20
183250-39450	1	26
183250-51200	15	6
183250-55060	16	8
183250-55120	16	13
183250-55170	16	15
183250-55250	16	11
183250-55300	16	12
183250-55320	16	16
	17	10

Parts No.	Fig. No.	Ref. No.
183250-59010	16	25
183250-59040	16	27
183250-59050	16	28
183250-59060	16	30
183250-59800	16	31
183250-66301	18	6
183250-66321	18	7
183250-66331	18	8
	19	12
183250-66341	18	9
183250-66351	18	10
183250-66361	18	11
183250-66371	18	12
183250-66410	18	3
183250-66420	18	4 A
183250-66511	18	5
183250-74051	21	1
183250-74101	21	17
183250-74201	21	7
183250-74271	21	10
183250-74272	21	10 -1
183250-74281	21	9
183250-74290	21	8
183250-74291	21	8 -1
183250-74351	21	3
183250-74400	21	2
183250-74410	21	15
183250-74430	21	5
183250-91051	22	1
183250-91061	23	1
183250-91201	22	3
183250-91211	23	3
183250-91250	24	8
183250-91370	22	13
	23	13
183250-91690	24	20
183250-92350	25	16
183251-07900	2	18
183251-08050-R	3	14
183251-13510	9	25
183251-13620	9	26
183251-79510	3	32
183251-79560	3	30
	4	48
	5	53
183251-79570	5	60
183256-07900	2	19
183256-78300	20	22 -1
183256-78310	20	33
183256-91051	24	1

Parts No.	Fig. No.	Ref. No.
183260-07230	2	5
183260-07900	2	20
183260-91051	22	2
183260-91061	23	2
183260-91201	22	4
183260-91211	23	4
183261-07900	2	21
183266-07230	2	6
183266-07900	2	22
183266-08150	4	10
	5	10
183266-08230	4	17
	5	16
183266-08240	4	18
	5	17
183266-08360	4	11
	5	19
183266-08460	4	55
	5	21
183266-13551	9	7
183266-13600	9	15
183266-21590	10	27
183266-45110	14	1
183266-45360	14	11
183266-45460	14	14
183266-66110	19	6
183266-66210	19	8
183266-66230	19	9
183266-66240	19	10
183266-91051	24	2
183266-91390	20	34
183266-91680	22	14
	23	18
	24	13
183266-91690	22	15
	23	19
183350-66420	18	4 B
183350-77400	20	23
183350-79510	4	45
	5	50
183350-79630	3	34
	4	51
	5	56
183351-91380	23	14
	24	16
183356-07310	2	12
183366-07220	2	4
183366-07240	2	7
183366-07251	2	8
183366-07280	2	10

Parts No. Index

Parts No.	Fig. No.	Ref. No.
183366-07290	2	11
183366-08050	4	3
183366-08051	5	3
183366-08080-R	4	4
	5	4
183366-08090-R	4	5
183366-08091-R	5	5
183366-08101-R	4	6
	5	6
183366-08110-R	4	7
183366-08111-R	5	7
183366-08120	4	8
	5	8
183366-08140	4	9
	5	9
183366-08170-R	4	12
	5	11
183366-08180	4	13
	5	12
183366-08190	4	14
	5	13
183366-08210	4	16
	5	14
183366-08290	1	25
	4	19
	5	18
183366-08350	1	32
	4	20
183366-08351	1	32 -1
183366-08400	5	20
183366-08460	5	22
183366-08470	5	23
183366-08480	5	24
183366-12530	8	21
183366-12590	8	27
183366-13200	9	2
183366-13510	9	3
183366-13511	9	14
183366-13630	9	8
183366-13640	9	9
183366-13660	9	10
183366-13661	9	10 -1
		10 -2
183366-13720	9	9 -1
		9 -2
183366-39460	1	27
183366-45220	14	8 -1
183366-45300	14	4
183366-45320	14	6
183366-45340	14	8

Parts No.	Fig. No.	Ref. No.
183366-45400	14	12
183366-45410	14	13
183366-45600	14	12 -1
183366-55120	17	8
183366-55150	17	4
183366-55210	4	23
	5	27
183366-59010	17	17
183366-59060	17	22
183366-59330	17	23
183366-59340	17	24
183366-59341	17	24 -1
183366-91330	22	11
	23	11
	24	11
183366-95240	5	61
183366-95500	5	62
183366-95520	5	74
183366-95530	5	77
183366-95550	5	80
183366-95570	5	83
183366-95680	5	86
183366-95850	5	87
183387-74250	21	13 -1
	26	2
183387-74260	26	3
183520-07210	2	3
183520-91290	21	19
	22	18
	23	22
183620-74360	21	4
183620-91230	22	5
	23	5
	24	15
183671-13210	9	13
183671-59060	17	22 -1
183720-55210	16	10
	17	9
183720-74460	21	13
183720-91230	22	17
	23	21
	24	6
183720-91240	22	6
	23	6
	24	14
183720-91250	22	7
	23	7
183720-91750	22	21
	23	25
	24	22

Parts No.	Fig. No.	Ref. No.
183720-91790	22	22
	23	26
	24	23
183820-74210	21	12
183820-74300	21	11
		14
183820-91290	22	8
	23	8
	24	7
183820-91320	22	9
	23	9
	24	10
183920-79560	3	31
	4	49
	5	54
183920-79620	3	33
	4	50
	5	55
183920-79650	3	35
	4	52
	5	57
183920-91280	23	17
	24	19
183920-91320	22	10
	23	10
	24	9
183920-91450	23	15
	24	17
183920-91710	22	16
	23	20
	24	5
184120-99100	21	21
184120-99200	26	1
194215-61210	19	1
194312-61810	4	25
	5	29
194312-61840	4	27
	5	31
194555-61820	4	26
	5	30
1N1730-51240	24	19 -1
1N1730-51250	24	17 -1
22117-100000	1	29
22117-120000	4	43
	5	33
22137-080000	3	8
		21
	5	34
	12	22
22137-140000	4	29

Parts No.	Fig. No.	Ref. No.
22137-140000	5	35
22213-080000	9	17
22217-060000	21	16
22217-080000	21	6
22252-000190	11	8
22272-000050	4	30
	5	36
22312-030080	11	16
22312-030160	7	11
	8	9
	12	4
22312-080120	1	19
22322-030180	12	14
22351-020006	15	16
22351-030008	15	17
22351-040008	6	22
22360-060000	16	21
	17	12
22417-320250	4	31
	5	37
22487-060140	16	22
22512-040120	10	22
23000-022000	5	38
23414-120000	16	7
23418-050000	18	19
23887-120002	16	6
24101-062050	10	5
24162-152112	10	6
24311-000120	4	32
24311-000150	17	13
24311-000180	1	14
	25	21
24311-000400	16	23
24341-000150	16	17
24341-000224	12	9
	25	32
26014-060142	4	33
	5	39
	9	18
26014-080302	14	16
26022-040082	21	20
26022-050102	16	24
	24	21
26023-030082	19	21
26106-060082	13	27
	14	17
	22	20
	23	24
26106-060122	3	36
	4	53

Parts No. Index

Parts No.	Fig. No.	Ref. No.
26106-060122	5	58
	9	5
		11
	12	10
	13	28
	14	18
	20	24
		24 -1
26106-060142	14	21
26106-060162	18	13
26106-060202	7	15
26106-060252	1	20
	4	34
	5	40
	7	31
	8	17
26106-060552	7	16
	8	12
26106-080122	10	7
26106-080162	3	9
		22
	9	22
		27
26106-080252	3	10
		23
	4	35
	5	41
26106-080282	9	19
26106-080302	3	37
26106-080352	1	31
26106-080382	3	11
		24
26106-080452	6	23
26106-080602	4	36
	5	42
26106-100122	1	1 -2D
26106-100162	4	37
	5	43
26106-100302	20	25
26106-100382	4	38
	5	44
26116-060454	25	10
26116-080454	25	11
26216-080182	6	24
26226-060142	8	25
26226-060182	1	21
26226-060222	1	22
26226-060352	7	32
26226-060502	6	25
26226-060552	6	28

Parts No.	Fig. No.	Ref. No.
26226-060752	6	26
26366-060002	1	23
	6	27
	7	17
		33
	8	26
	9	6
	16	18
	17	14
26366-080002	3	12
		25
		38
	4	39
	5	45
	9	12
		23
		28
	19	22
26366-100002	4	40
	5	46
26476-060142	7	18
	12	5
	13	7
	14	19
	16	33
	18	20
	19	23
	20	30
26476-060202	19	24
	20	31
26476-060252	13	8
	14	20
	18	21
26557-040082	1	30
	18	22
26557-060142	14	22
26577-060142	20	32
26635-060002	4	54
	5	59
26696-100002	3	13
		26
	4	41
	5	47
	18	23
	19	25
26716-060002	25	12
26716-080002	25	13
26756-060002	6	16
		20
		19

Parts No.	Fig. No.	Ref. No.
26757-060002	19	26
		26 -1
27225-080080	7	13
28110-100120	25	3
28110-140170	25	4
28210-000150	25	5
43400-500490	1	24
	4	42
	5	48
	25	23
714250-12560	7	24
714250-22501	11	3
714250-22502	11	3 -1
714250-22540	11	10
714250-22542	11	10 -1
714250-22550	11	20
714250-22722	11	1
714250-23600	11	17
714250-23610	11	21
714250-23620	11	23
714250-23703	11	11
714250-53101	15	18
714250-61500	12	11
714250-61700	12	15
714250-92601	25	17
714251-01560	1	1 -1
714251-01562	1	1 -3
714251-01563	1	1 -4
714260-14581	10	8
714260-22580	11	19
714260-22620	11	9
714260-22720	11	1 -1
714261-21701	10	16
783250-51701	15	1
783250-55700	16	1
783366-12560	8	18
783366-55700	17	1
7E4133-99290	25	6
X211416603	20	14
X211427501	20	18
X21142835	20	21
X21143215	20	7
X211445508	20	13
X21145312	20	6
X21145352	20	9
		15
X211456013	20	17
X21145867	20	20
X211461008	20	2
X211462104	20	5

Parts No.	Fig. No.	Ref. No.
X211468005	20	19
X21147155	20	4
X211473008	20	8 -1
X211478006	20	16
X21148110	20	3
X21148313	20	11
X211489001	20	10
X21149314	20	12