

OCD10-M38201EN

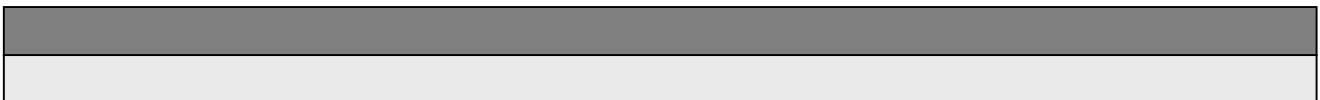
PREFACE

1. This Parts Catalog is the 1st edition of 4TN82TL-RMZ Diesel Engine for MITSUI.

Pub. No. : 000Y00D3821
Published : December, 1991

2. Model name

Engine model	Vehicle		Vehicle made by
	Products	Model name	
4TN82TL-RMZ	—	—	MITSUI



Directions for the Parts Catalog.

1. This Parts Catalog shows both standard and optional parts.
2. Parts may change without prior notice.
3. The following is an example of the Parts Catalog format.

REF.	LEV.	PARTS NO.	DESCRIPTION	Q'TY						I	R
				(A)	(B)	(C)	(D)	(E)	(F)		
1	1	729595-51390	FUEL INJECTION PUMP	1	1	1	1	1			1
1-1	1	729595-51391	FUEL INJECTION PUMP	1	1	1	1	1		N	1
		(A=E00185) (B=E00200)									
3	2	26022-060162	SCREW M 6X 16	9	9	9	9	9			
3-1	2	26022-060162	SCREW M 6X 16	4	4	4	4	4		K	
		(A=E00156) (B=E00156) (C=E00156) (D=E00156) (E=E00156)									
4	2	129470-51040	CAMSHAFT	1	1	1	1	1			
5	2	122710-51050	BEARING, ROLLER	2	2	2	2	2			
6	2	129470-51060	RETAINER	1	1	1	1	1			

Remarks
(1) BOOST COMPEMSATOR TYPE. OPTIONAL PART, TO E00155,(4JH-DT, 4JH-DTZ

① Ref. No.

The Ref. No. listed may not be in accordance with the illustration Ref. No.

(Ex.) Illustration No.

List Ref No.

1

1

(Before change) → 1-1 (After change)

For interchangeable symbols N, R and K, illustrations for new parts may be abbreviated.

② Lev. (Level)

Level indication

The numbers below indicate the level of relativity towards the main part.

1 ----- Main parts (Assembly parts)

2 ----- Sub component included in " 1 ".

3 ----- Sub component included in " 2 ".

Note) Parts that are not for sale are partially illustrated but not listed.

③ Interchangeability Symbol

When a part change takes place, one of the following interchangeability symbols is indicated beside the part.

Symbol	Interchangeability	Contents note
N	Old $\begin{matrix} \leftarrow \text{Yes} \\ \text{No} \rightarrow \end{matrix}$ New	New Part is interchangeable for Old Part but Old Part is not interchangeable for New Part.
Q	Old $\begin{matrix} \leftarrow \text{No} \\ \text{Yes} \rightarrow \end{matrix}$ New	New Part is not interchangeable for Old Part but Old Part is interchangeable for New Part.
R	Old $\begin{matrix} \leftarrow \text{Yes} \\ \text{Yes} \rightarrow \end{matrix}$ New	New/ Old Parts are both interchangeable.
S	Old $\begin{matrix} \leftarrow \text{No} \\ \text{No} \rightarrow \end{matrix}$ New	New/ Old Parts are both not interchangeable.
W		Part newly added.
Z		Part discontinued.
F		Not interchangeable by a single part but interchangeable together with related parts.
K		Changes only for used parts quantities.

④ Effective Machine No.

When a part changes, the effective Machine No. will be indicated in the (A)-(F) column.

Product Symbol	Product No.	Product Symbol	Product No.
C	Clutch No. Compressor No.	F	Machine No. (Agricultural Equip.)
D	Drive No.	M	Machine No.
E	Engine No.		

Note 1) A date may follow the symbol. (Ex.) 1996.01

Note 2) "XXXXX" and "ZZZZZ" are for parts that could not be predicted or for engine models that could not be identified.

Note 3) (A=E00185) is the E (Engine Serial Number) for the column (A) model (in this case 4JH-DT) after the parts design change.

⑤ Remarks

Figures or alphabets (symbols) are entered in the remarks column.

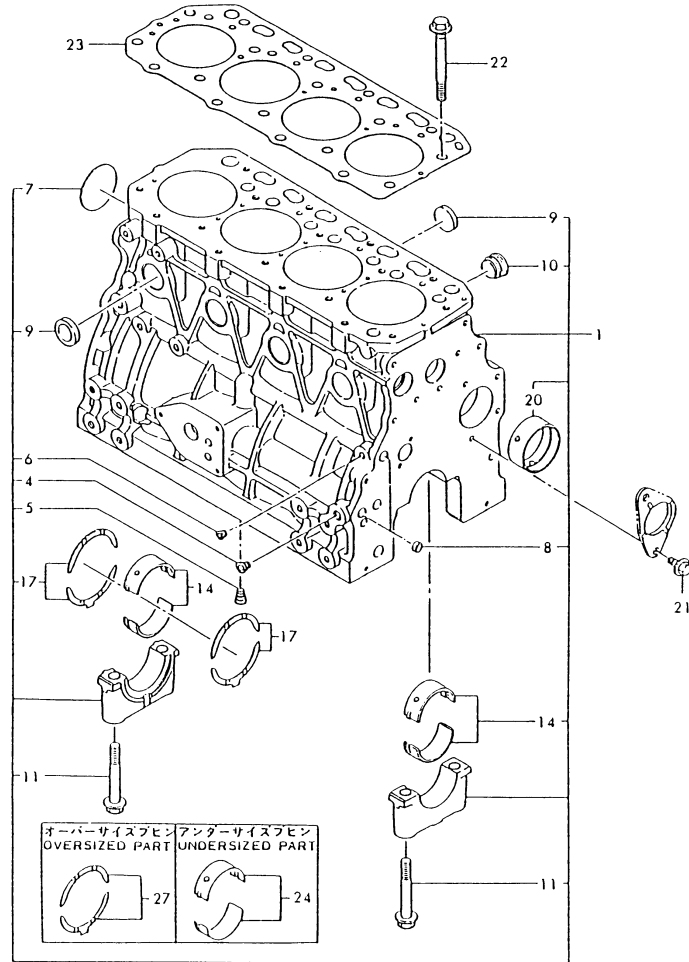
The comments (remarks) on parts that are indicated at the bottom of the illustration are the same symbols as those stated above.

Contents

Fig. No.	Fig. Name	Fig. No.	Fig. Name
ENGINE 4TN82TL-RMZ			
1.	CYLINDER BLOCK		
2.	GEAR HOUSING		
3.	FLYWHEEL HOUSING		
4.	ENGINE LIFTER		
5.	INTAKE MANIFOLD		
6.	EXHAUST MANIFOLD		
7.	CAMSHAFT		
8.	TURBOCHARGER		
9.	CRANKSHAFT		
10.	LUB. OIL PUMP		
11.	COOLING WATER PUMP		
12.	FUEL INJECTION PUMP		
13.	FUEL INJECTION VALVE		
14.	FUEL STRAINER		
15.	GOVERNOR		
16.	STOPPING SOLENOID		
17.	STARTING MOTOR		
18.	ELECTRIC EQUIPMENT PARTS		
19.	GEAR UNIT(TACHOMETER)		
20.	GASKET SET		

Fig.1. CYLINDER BLOCK

029402-01110
029550-02100
029129-02200



(A)=4TN82TL-RMZ

(B)=

(C)=

(D)=

(E)=

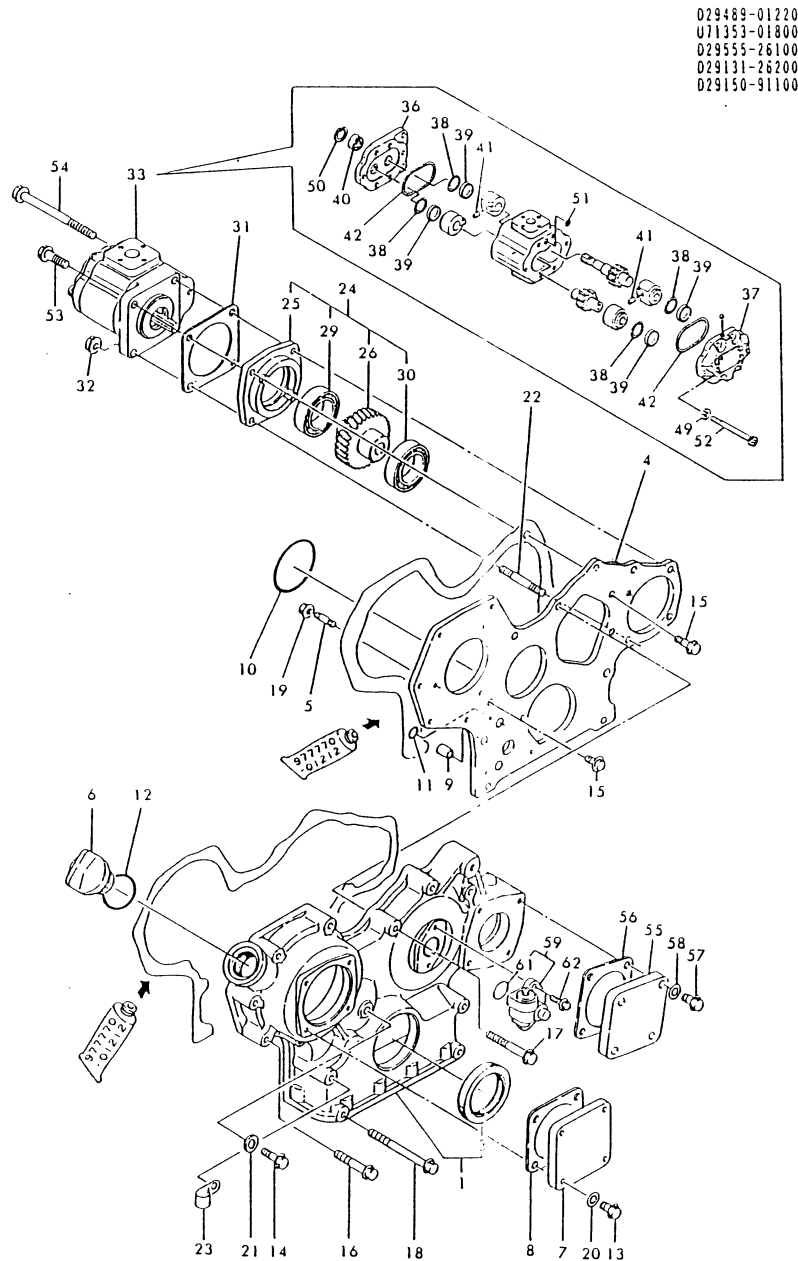
(F)=

No.	Lev.	Parts No.	Description	Q'ty						I	R
				(A)	(B)	(C)	(D)	(E)	(F)		
1	1	729402-01560	BLOCK ASSY, CYLINDER	1							
4	2	124160-01910	PLUG, PT1/4	2							
5	2	124160-01910	PLUG, PT1/4	1							
6	2	23871-010000	PLUG, R01	1							
7	2	27231-500000	PLUG 50	1							
8	2	27241-120000	PLUG, 12	2							
9	2	27241-300000	PLUG 30	8							
10	2	171051-01921	PLUG, NPTF1	1							
11	2	129150-02020	BOLT, METAL CAP	10							
14	2	129150-02800	BEARING, MAIN	5							
17	2	129150-02930	BEARING, THRUST	2							
20	2	129795-02411	BUSH, CAMSHAFT	1							
21	1	26106-080162	BOLT, M8X 16 PLATED	2							
22	1	129150-01200	BOLT, HEAD	18							
23	1	129402-01321	GASKET, HEAD	1							
24	1	129150-02870	BEARING, 0.25 US	5							1
27	1	129150-02940	BEARING, THRUST 0.25	2							2

Remarks

- (1) UNDER-SIZE(U.S=0.25)PART,
- (2) OVER-SIZE(O.S=0.25)PART.

Fig.2. GEAR HOUSING



(A)=4TN82TL-RMZ

(B)=

(C)=

(D)=

(E)=

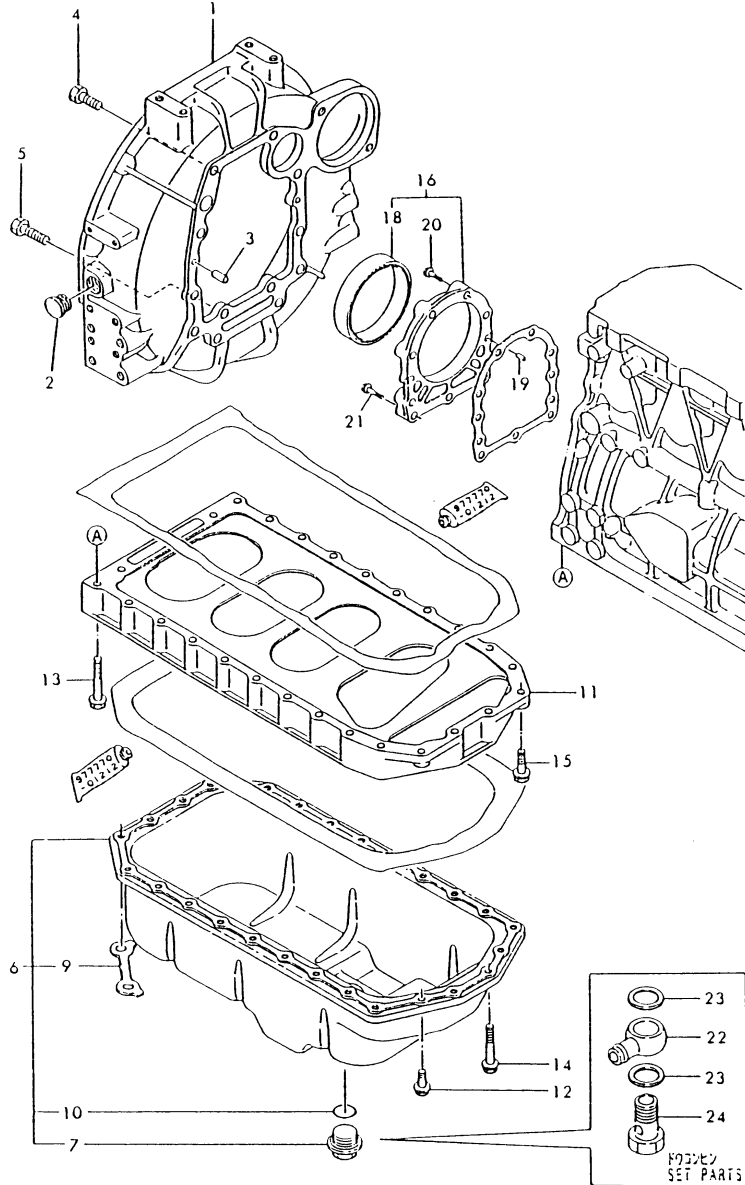
(F)=

No.	Lev.	Parts No.	Description	Q'ty						I	R
				(A)	(B)	(C)	(D)	(E)	(F)		
1	1	129100-01590	CASE ASSY, GEAR	1							
3	2	129795-01800	SEAL, OIL	1							
4	1	129100-01520	FLANGE, GEAR CASE	1							
5	1	121450-01560	STUD, M8X22	3							
6	1	124160-01751	COVER, FILLER	1							
7	1	124240-01871	COVER	1							
8	1	124240-01883	GASKET	1							
9	1	129795-01950	PIPE, KNOCK L=18	2							
10	1	121850-51960	O-RING	1							
11	1	24311-000160	O-RING, 1AP16.0	2							
12	1	24311-000320	O-RING, 1AP32.0	1							
13	1	26106-080122	BOLT, M8X 12 PLATED	4							
14	1	26106-080162	BOLT, M8X 16 PLATED	1							
15	1	26106-080162	BOLT, M8X 16 PLATED	3							
16	1	26106-080452	BOLT, M8X 45 PLATED	6							
17	1	26106-080552	BOLT, M8X 55 PLATED	3							
18	1	26106-080852	BOLT, M8X 85 PLATED	4							
19	1	26366-080002	NUT, M8	3							
20	1	43400-500410	SEAL WASHER 8S	4							
21	1	43400-500410	SEAL WASHER 8S	1							
22	1	129150-01580	STUD, M8X30	1							
23	1	129150-03100	RETAINER, PIPE	1							
24	1	129555-26000	DRIVE ASSY, PUMP	1							
25	2	129150-26050	BRACKET, PUMP	1							
26	2	129555-26201	GEAR ASSY, PUMP	1							
29	2	129555-26240	BEARING, BALL 6006C4	1							
30	2	24101-060024	BEARING, BALL 6002	1							
31	1	124240-01883	GASKET	1							
32	1	194990-22050	NUT, M8	2							
33	1	194640-41110	PUMP ASSY, HYDRAULIC	1							
36	2	194521-41510	COVER, REAR	1							
37	2	194521-41521	COVER, FRONT	1							
38	2	194521-41530	PACKING	4							
39	2	194521-41540	RING, BACK UP	4							
40	2	194521-41550	SEAL, OIL TC18327	1							
41	2	194521-41570	PIN, 11X7	2							
42	2	194521-41580	RING	2							
49	2	22217-080000	WASHER, SPRING 8	4							
50	2	22252-000320	RING, 32	1							
51	2	24341-000112	O-RING, 1AS11.2	1							
52	2	26450-080852	BOLT, M8X 85	4							
53	1	26106-080402	BOLT, M8X 40 PLATED	1							
54	1	26106-081202	BOLT, M8X120 PLATED	2							
55	1	124240-01871	COVER	1							
56	1	124240-01883	GASKET	1							
57	1	26106-080162	BOLT, M8X 16 PLATED	4							
58	1	43400-500410	SEAL WASHER 8S	4							
59	1	129150-91400	GEAR	1							
61	2	24341-000240	O-RING, 1AS24.0	1							
62	1	26106-060162	BOLT, M6X 16 PLATED	2							

N:Old $\begin{matrix} \text{Yes} \\ \text{No} \end{matrix}$ New, Q:Old $\begin{matrix} \text{No} \\ \text{Yes} \end{matrix}$ New, R:Old $\begin{matrix} \text{Yes} \\ \text{No} \end{matrix}$ New, S:Old $\begin{matrix} \text{No} \\ \text{Yes} \end{matrix}$ New, W:Add, Z:Discontinued, F:Interchangeable by set, K:Q'ty Change

Fig.3. FLYWHEEL HOUSING

D29500-01310
 D29400-01400
 D29100-01510
 D29432-93040



(A)=4TN82TL-RMZ
 (B)=
 (C)=

(D)=
 (E)=
 (F)=

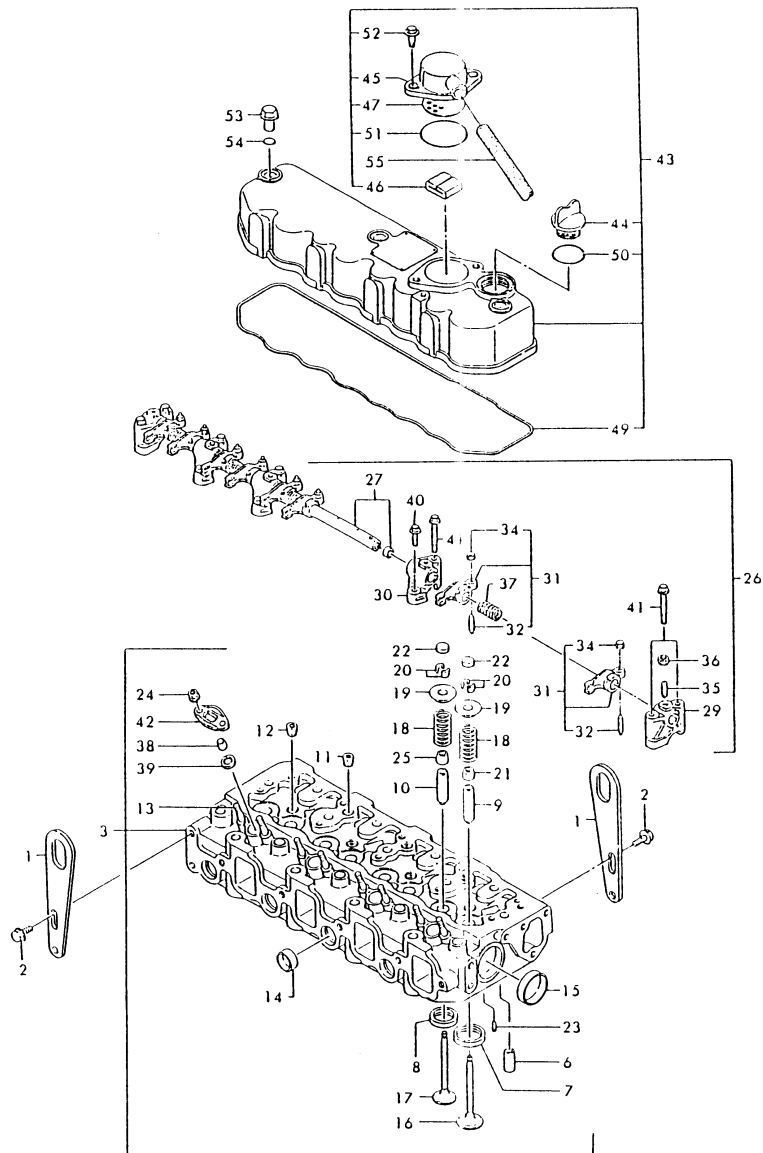
No.	Lev.	Parts No.	Description	Q'ty						I	R
				(A)	(B)	(C)	(D)	(E)	(F)		
1	1	171440-01600	HOUSING, FLYWHEEL	1							
2	1	119620-01750	CAP	1							
3	1	129100-01580	PIN, M8X16	2							
4	1	26206-100252	BOLT, M10X 25 PLATED	6							
5	1	26206-100302	BOLT, M10X 30 PLATED	4							
6	1	729402-01540	SUMP ASSY, OIL	1							
7	2	171301-01640	PLUG, 22	1							
9	2	129100-01790	RETAINER	2							
10	2	24341-000240	O-RING, 1AS24.0	1							
11	1	129400-01730	SPACER, OIL SUMP	1							
12	1	26106-080162	BOLT, M8X 16 PLATED	4							
13	1	26106-080252	BOLT, M8X 25 PLATED	2							
14	1	26106-080452	BOLT, M8X 45 PLATED	20							
15	1	26106-080502	BOLT, M8X 50 PLATED	4							
16	1	129100-01640	CASE ASSY, OIL SEAL	1							
18	2	129795-01780	SEAL, OIL	1							
19	1	129100-01580	PIN, M8X16	2							
20	1	26106-080302	BOLT, M8X 30 PLATED	6							
21	1	26106-080352	BOLT, M8X 35 PLATED	3							
22	1	119646-39910	JOINT, PIPE	1							W
		(A=EXXX)									
23	1	23414-220000	GASKET, 22X1.0	2							W
		(A=EXXX)									
24	1	23857-180000	BOLT, JOINT 18	1							W
		(A=EXXX)									

Fig.4. ENGINE LIFTER

(A)=4TN82TL-RMZ
(B)=
(C)=

(D)=
(E)=
(F)=

U71350-03120
021000-07300
029402-11100
029400-11220



No.	Lev.	Parts No.	Description	Q'ty						I	R
				(A)	(B)	(C)	(D)	(E)	(F)		
1	1	124736-07900	LIFTER	2							
2	1	26106-080142	BOLT, M8X 14 PLATED	4							
3	1	729412-11700	HEAD ASSY, CYLINDER	1							
6	2	129150-11050	PIECE	4							
7	2	129470-11080	SEAT, INTAKE VALVE	4							
8	2	129470-11090	SEAT, EXHAUST VALVE	4							
9	2	120130-11860	GUIDE, VALVE	4							1
10	2	129150-11810	GUIDE, VALVE	4							1
11	2	121850-11860	PLUG, PT1/4	3							
12	2	23871-030000	PLUG, R03	4							
13	2	26216-060202	STUD, M6X 20	8							
14	2	27241-220000	PLUG, 22	4							
15	2	27241-400000	PLUG, 40	2							
16	2	129100-11100	VALVE, INTAKE	4							
17	2	129100-11130	VALVE, EXHAUST	4							
18	2	129795-11120	SPRING, VALVE	8							
19	2	129795-11180	RETAINER, SPRING	8							
20	2	103338-11190	COTTER	8							
20-1	2	27310-080001	COTTER, 8	8							R
(A=EXXXXX)											
21	2	124460-11340	SEAL, VALVE STEM	4							
22	2	129150-11370	CAP, VALVE	8							
23	2	22351-060012	PIN, SPRING 6.0X12	2							
24	2	26366-060002	NUT, M6	8							
25	2	121400-11340	SEAL, VALVE STEM	4							
26	1	129555-11241	SHAFT ASSY, ROCKER	1							
27	2	129550-11290	SHAFT, ROCKER ARM	1							
29	2	129155-11260	SUPPORT, ROCKER ARM	2							
30	2	129155-11270	SUPPORT, ROCKER ARM	3							
31	2	729402-11650	ARM ASSY, ROCKER	8							
32	3	129150-11230	SCREW, VALVE ADJUST	8							
34	3	129150-11750	NUT, M8	8							
35	2	26226-080182	STUD, M8X 18	3							
36	2	26756-080002	NUT, LOCK M8	3							
37	2	129150-11280	SPRING	4							
38	1	119625-11870	PROTECTOR, NOZZLE	4							
39	1	119625-11880	SEAT, NOZZLE	4							
40	1	26106-080252	BOLT, M8X 25 PLATED	3							
41	1	26106-080502	BOLT, M8X 50 PLATED	7							
42	1	119625-11900	RETAINER, NOZZLE	4							
43	1	129400-11350	BONNET ASSY, HEAD	1							
44	2	124160-01751	COVER, FILLER	1							
45	2	129150-03020	COVER, BREATHER	1							
46	2	129150-03070	BAFFLE, BREATHER	1							
47	2	129150-03080	PLATE, BAFFLE	1							
49	2	129550-11310	GASKET, BONNET	1							
50	2	24311-000320	O-RING, 1AP32.0	1							
51	2	24341-000500	O-RING, 1AS50.0	1							
52	2	26106-080162	BOLT, M8X 16 PLATED	2							
53	1	124160-11360	KNOB	3							
54	1	24311-000120	O-RING, 1AP12.0	3							

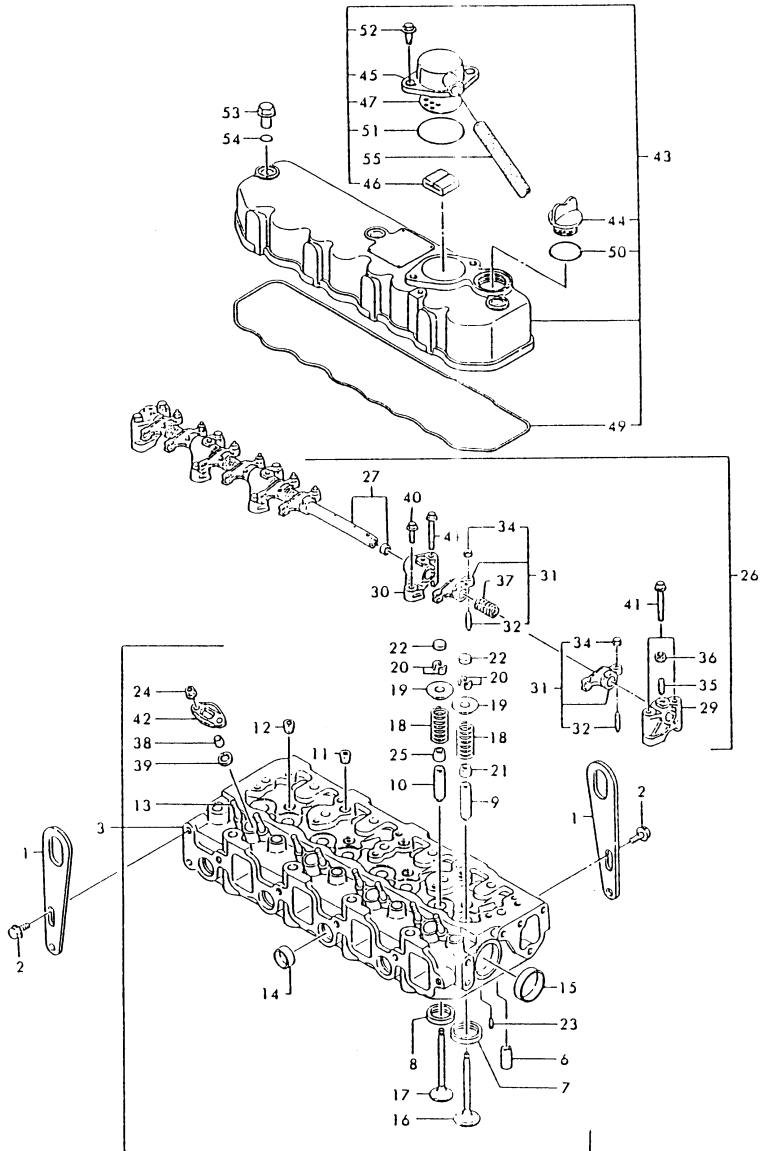
Remarks
(1)REPAIR PART.

Fig.4. ENGINE LIFTER

U71350-03120
 021000-07300
 029402-11100
 029400-11220

(A)=4TN82TL-RMZ
 (B)=
 (C)=
 (D)=
 (E)=
 (F)=

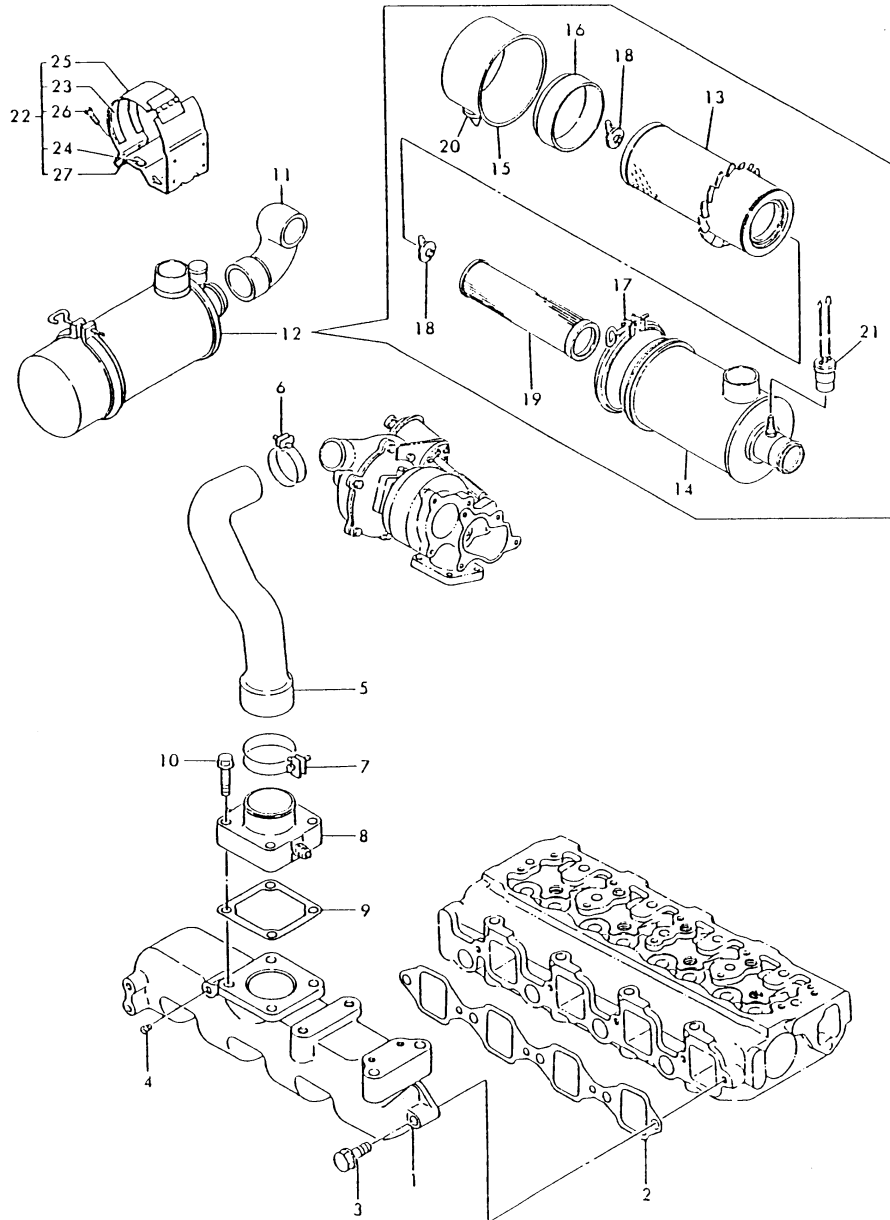
No.	Lev.	Parts No.	Description	Q'ty						I	R
				(A)	(B)	(C)	(D)	(E)	(F)		
55	1	171350-03090	PIPE , BREATHER 900	1							



Remarks
 (1)REPAIR PART.

Fig.5. INTAKE MANIFOLD

029400-12100
 029403-12320
 029100-77501
 029432-93040



(A)=4TN82TL-RMZ

(B)=

(C)=

(D)=

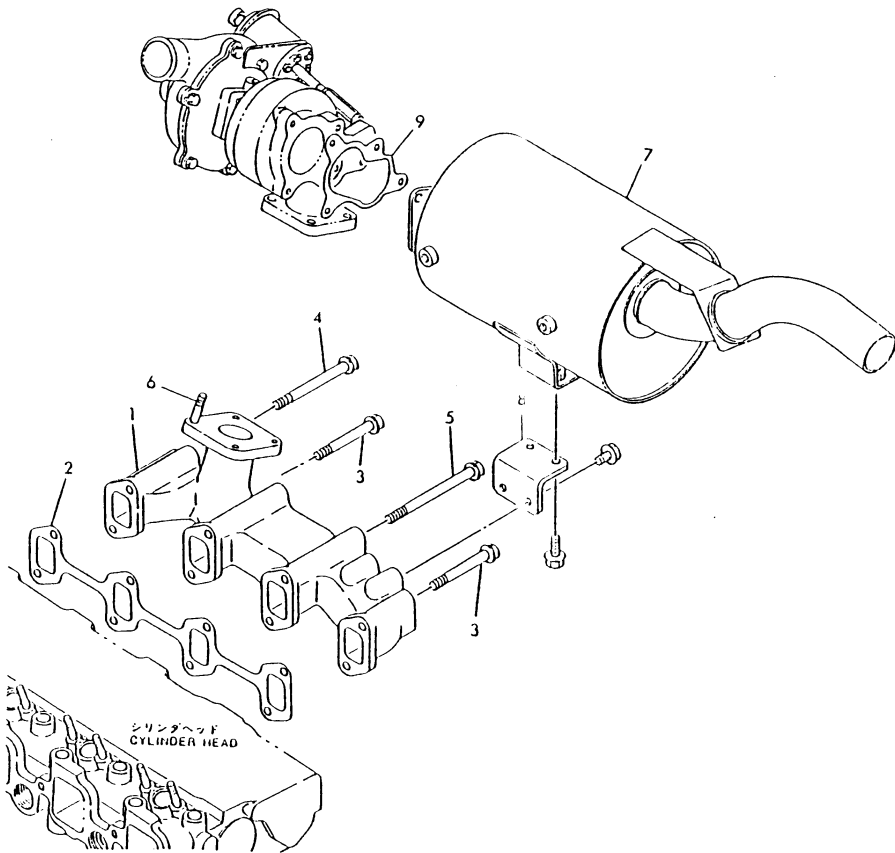
(E)=

(F)=

No.	Lev.	Parts No.	Description	Q'ty						I	R
				(A)	(B)	(C)	(D)	(E)	(F)		
1	1	129400-12100	MANIFOLD, AIR INTAKE	1							
2	1	129550-12111	GASKET, MANIFOLD	1							
3	1	26106-080352	BOLT, M8X 35 PLATED	5							
4	1	23871-030000	PLUG, R03	1							
5	1	129403-12090	PIPE, AIR INTAKE	1							
6	1	23000-054000	CLAMP, 54	1							
7	1	23000-060000	CLAMP, 60	1							
8	1	129120-77501	HEATER	1							
9	1	129150-77511	GASKET	1							
10	1	26106-080352	BOLT, M8X 35 PLATED	4							
11	1	129432-12070	HOSE, AIR CLEANER	1							
12	1	171061-12500	CLEANER ASSY, AIR	1							
13	2	121420-12511	ELEMENT	1							
14	2	171061-12520	BODY ASSY	1							
15	2	121422-12530	CUP	1							
16	2	121420-12540	SCARF, BAFFLE	1							
17	2	121420-12550	CLAMP ASSY	1							
18	2	121420-12561	NUT, WING	2							
19	2	121422-12570	ELEMENT	1							
20	2	121422-12580	VALVE, UNLOADER	1							
21	2	171061-12800	INDICATOR	1							
22	1	129403-12560	BRACKET, AIR CLEANER	1							
23	2	129403-12570	SEAT, RUBBER A	2							
24	2	129403-12580	SEAT, RUBBER B	4							
25	2	129403-12590	BRACKET	1							
26	2	26013-080402	BOLT, M8X 40	2							
27	2	26331-080002	NUT, M8	2							

Fig.6. EXHAUST MANIFOLD

029403-13120
029432-93040



(A)=4TN82TL-RMZ

(B)=

(C)=

(D)=

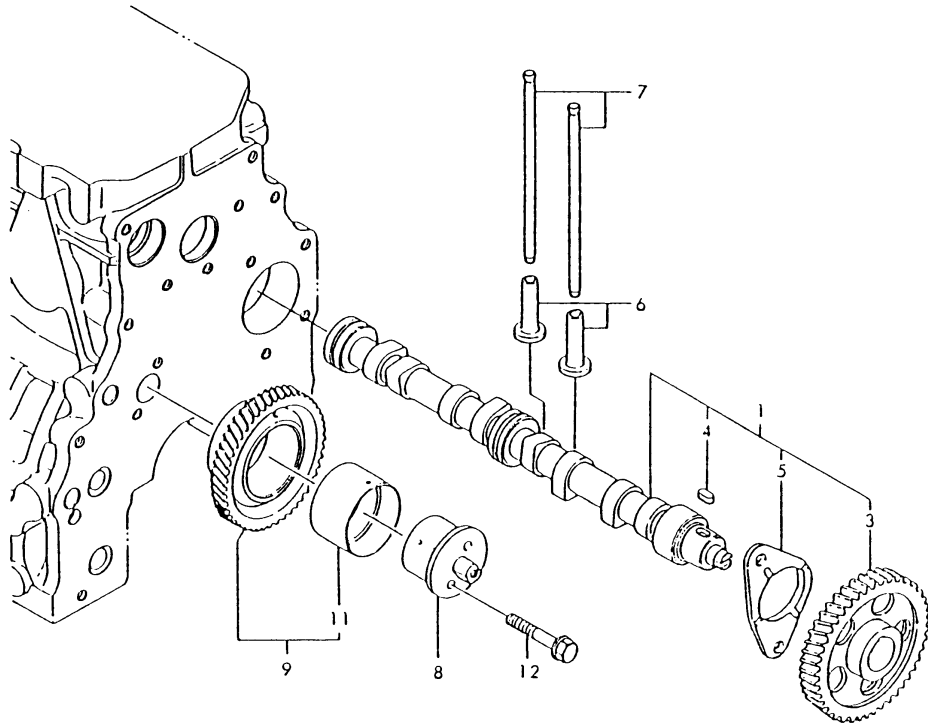
(E)=

(F)=

No.	Lev.	Parts No.	Description	Q'ty						I	R
				(A)	(B)	(C)	(D)	(E)	(F)		
1	1	129403-13120	MANIFOLD, EXHAUST	1							
2	1	129550-13110	GASKET	1							
3	1	26106-080652	BOLT, M8X 65 PLATED	3							
3-1	1	119802-13650 (A=*2002.09)	BOLT, M8X65	3							N
4	1	26106-080852	BOLT, M8X 85 PLATED	1							
4-1	1	119802-13670 (A=*2002.09)	BOLT, M8X85	1							N
5	1	26106-081002	BOLT, M8X100 PLATED	4							
5-1	1	129693-44310 (A=*2002.09)	BOLT	4							N
5-2	1	119802-13820 (A=*2009.12)	BOLT, M8X100 9.8T	4							N
6	1	26216-080222	STUD, M8X 22	4							
6-1	1	119131-18320 (A=*1998.01)	STUD, M8X22	4							N
7	1	129488-13500	SILENCER	1							
8	1	129403-13540	SUPPORT, SILENCER	1							
9	1	129403-18080	GASKET	1							

Fig.7. CAMSHAFT

029400-14110
029100-25101



(A)=4TN82TL-RMZ
(B)=
(C)=

(D)=
(E)=
(F)=

No.	Lev.	Parts No.	Description	Q'ty						I	R
				(A)	(B)	(C)	(D)	(E)	(F)		
1	1	729402-14580	CAMSHAFT ASSY	1							
3	2	129150-14101	GEAR, CAMSHAFT	1							
4	2	22512-070140	KEY, 7X 14	1							
5	2	129150-02450	BEARING, THRUST	1							
6	1	129150-14200	TAPPET	8							
7	1	129150-14400	ROD, PUSH L=178	8							
8	1	129100-25061	SHAFT, IDLE	1							
9	1	129150-25101	GEAR ASSY, IDLE	1							
12	1	26106-080452	BOLT, M8X 45 PLATED	2							

Fig.8. TURBOCHARGER

(A)=4TN82TL-RMZ

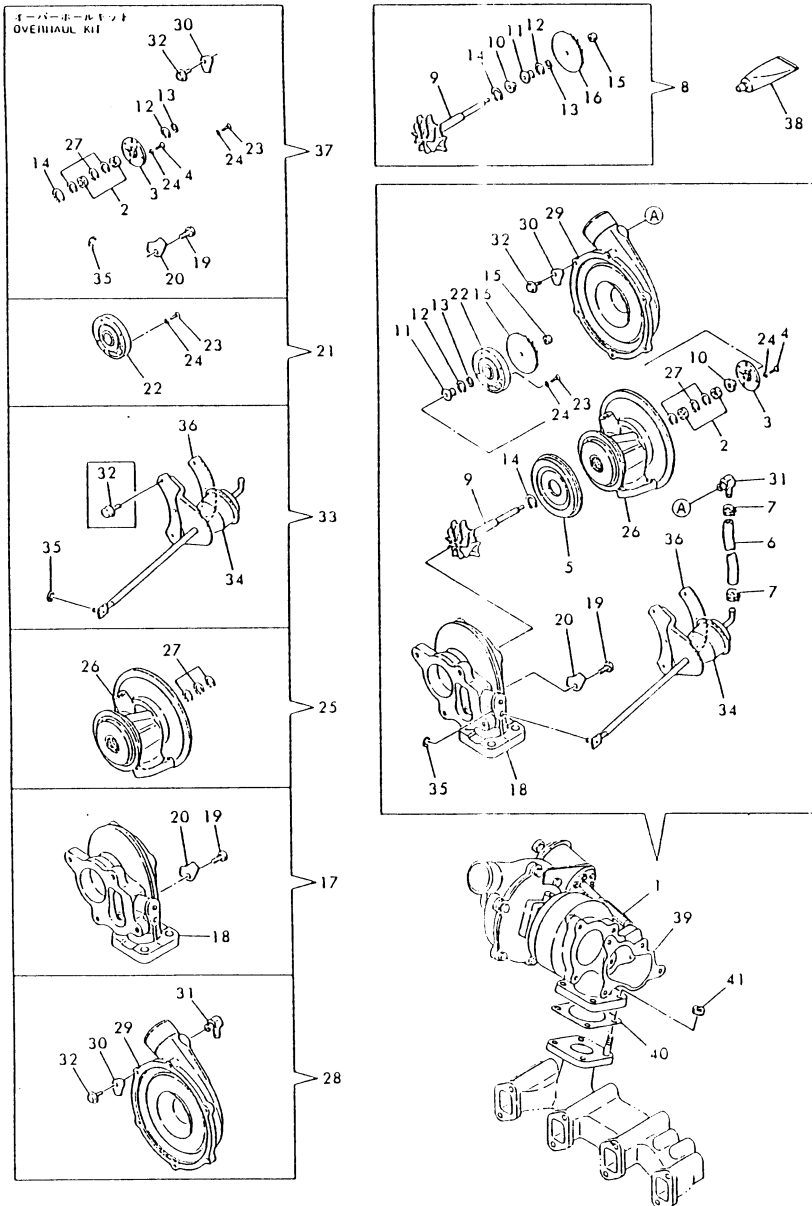
(B)=

(C)=

(D)=

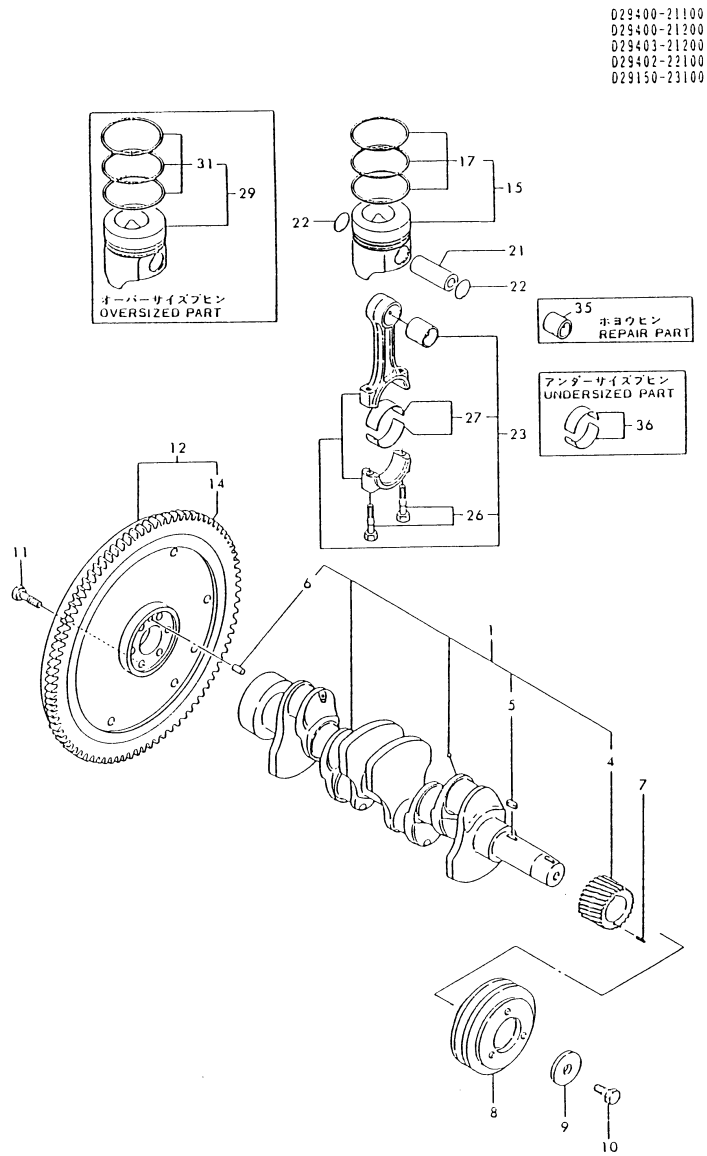
(E)=

(F)=



No.	Lev.	Parts No.	Description	Q'ty						I	R
				(A)	(B)	(C)	(D)	(E)	(F)		
1	1	129404-18020	TURBINE, RHB51	1							
2	2	129404-18590	BEARING	2							
3	2	129404-18600	BEARING, THRUST	1							
4	2	129403-18690	SCREW M 3X6.8	4							
5	2	129404-18720	PROTECTOR, HEAT	1							
6	2	129404-18750	HOSE	1							
7	2	23080-012000	CLAMP, 12	2							
8	2	129404-18770	ROTOR SET	1							
9	3	129404-18500	SHAFT, TURBINE	1							
10	3	129404-18510	BUSHING	1							
11	3	129404-18520	OIL THROWER	1							
12	3	129404-18530	RING, SEAL	1							
13	3	129404-18540	RING, SEAL	1							
14	3	129404-18550	RING, SEAL	1							
15	3	129404-18560	NUT, D8/4.5 T5	1							
16	3	129404-18570	WHEEL	1							
17	2	129404-18790	HOUSING ASSY	1							
18	3	129404-18640	BOLT M 5	1							
19	3	129403-18650	BOLT M 6X11	4							
20	3	129404-18660	RETAINER	4							
21	2	129404-18820	PLATE	1							
22	3	129404-18580	PLATE	1							
23	3	129403-18700	SCREW M 3X12.5	3							
24	3	129403-18710	LOCK WASHER 3	7							
25	2	129404-18800	HOUSING SET	1							
26	3	129404-18670	HOUSING, BEARING	1							
27	3	129404-18680	CIRCLIP	3							
28	2	129404-18780	HOUSING SET	1							
29	3	129404-18610	SEAL RING,BLOW.SIDE	1							
30	3	129403-18630	SEAL RING,BLOW.SIDE	2							
31	3	129403-18730	NUT	1							
32	3	129403-18620	BOLT M 5X 10.5	6							
33	2	129404-18811	CONTROLLER ASSY	1							
34	3	129404-18741	CONTROLLER SET	1							
35	3	22273-000060	RING, E- 6	1							
36	3	129404-18760	SPACER	3							
37	2	129404-18330	KIT	1							1
38	1	XN193653	GASKET, LIQUID	1							
39	1	129403-18080	GASKET	1							
40	1	129322-18100	GASKET	1							
41	1	194990-22050	NUT, M8	4							

Fig.9. CRANKSHAFT



(A)=4TN82TL-RMZ

(B)=

(C)=

(D)=

(E)=

(F)=

No.	Lev.	Parts No.	Description	Q'ty						I	R
				(A)	(B)	(C)	(D)	(E)	(F)		
1	1	729400-21700	CRANKSHAFT ASSY	1							
4	2	129150-21200	GEAR, CRANKSHAFT	1							
5	2	22512-070140	KEY, 7X 14	1							
6	2	129100-01580	PIN, M8X16	1							
7	1	22351-040010	PIN, SPRING 4.0X10	1							
8	1	171301-21650	V-PULLEY	1							
9	1	129795-21661	WASHER	1							
10	1	121850-21680	BOLT	1							
11	1	121111-21501	BOLT, FLYWHEEL	6							
12	1	129403-21590	FLYWHEEL ASSY	1							
14	2	124550-21600	GEAR, RING	1							
15	1	129402-22090	PISTON ASSY	4							
17	2	729120-22500	RING SET, PISTON	4							
21	1	129150-22300	PIN, PISTON D26 L66	4							
22	1	121100-22400	CIRCLIP	8							
23	1	729402-23100	ROD ASSY, CONNECTING	4							
26	2	121550-23200	BOLT, CONNECTING ROD	8							
27	2	129150-23600	BEARING, CRANK PIN	4							
29	1	729402-22910	PISTON ASSY, 0.25 OS	4							1
31	2	729120-22950	RING SET, 0.25 OS	4							
35	1	129100-23910	BEARING, PISTON PIN	4							2
36	1	129150-23610	BEARING, 0.25 US	4							3

Remarks

- (1) OVER-SIZE(O.S=0.25)PART.
- (2) REPAIR PART.
- (3) UNDER-SIZE(U.S=0.25)PART.

Fig.10. LUB. OIL PUMP

(A)=4TN82TL-RMZ

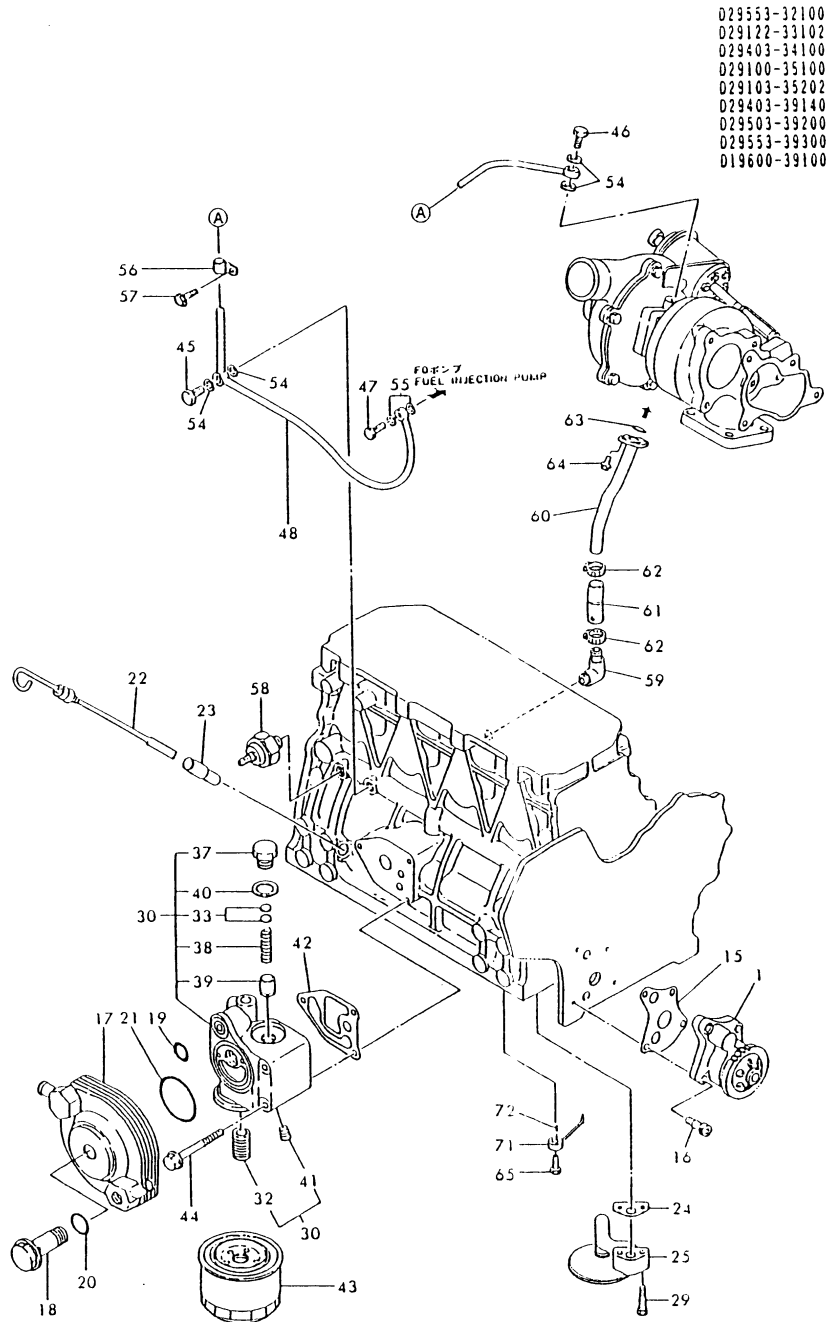
(B)=

(C)=

(D)=

(E)=

(F)=



No.	Lev.	Parts No.	Description	Qty						I	R
				(A)	(B)	(C)	(D)	(E)	(F)		
1	1	129553-32000	PUMP ASSY, OIL	1							
15	1	129150-32020	GASKET, PUMP	1							
16	1	26450-060252	BOLT, M6X 25	4							
17	1	129103-33031	COOLER, OIL	1							
18	1	129103-33132	BOLT	1							
19	1	24311-000200	O-RING, 1AP20.0	1							
20	1	24311-000210	O-RING, 1AP21.0	1							
21	1	24321-000550	O-RING, 1AG55.0	1							
22	1	129403-34800	DIPSTICK, OIL	1							
23	1	121520-34810	GUIDE, DIPSTICK	1							
24	1	129150-35041	GASKET	1							
25	1	129150-35091	PIPE ASSY, OIL INLET	1							
29	1	26106-080352	BOLT, M8X 35 PLATED	2							
30	1	129103-35101	BRACKET ASSY, FILTER	1							
32	2	129100-35140	STUD	1							
33	2	121850-35200	SHIM SET	1							
37	2	124223-35510	RETAINER, SPRING	1							
38	2	121850-35520	SPRING	1							
39	2	121850-35531	VALVE, CONTROL	1							
40	2	23414-180000	GASKET, 18X1.0	1							
41	2	23871-020000	PLUG, R02	1							
42	1	129103-35122	GASKET	1							
43	1	129150-35150	FILTER 90X80L	1							
44	1	26106-080752	BOLT, M8X 75 PLATED	3							
45	1	124160-39140	BOLT, PIPE JOINT M10	1							
46	1	121252-39150	BOLT, JOINT M10X1.5	1							
47	1	124550-59820	BOLT, PIPE JOINT M8	1							
48	1	129403-39460	PIPE ASSY, OIL	1							
54	1	23414-100000	GASKET, 10X1.0	4							
55	1	43400-500410	SEAL WASHER 8S	2							
56	1	124223-39900	RETAINER	1							
57	1	26106-080102	BOLT, M8X 10 PLATED	1							
58	1	124160-39450	SWITCH, 0.5KG	1							
59	1	124070-13300	ELBOW, PT3/8	1							
60	1	129503-39600	PIPE, OIL	1							
61	1	129506-39610	JOINT, RUBBER	1							
62	1	23000-025000	CLAMP, 25	2							
63	1	24314-000160	O-RING, 4CP16.0	1							
64	1	26106-060162	BOLT, M6X 16 PLATED	2							
65	1	129792-39410	VALVE ASSY, CHECK	4							
71	1	129553-39650	NOZZLE	4							
72	1	22351-030010	PIN, SPRING 3.0X10	4							

Fig.11. COOLING WATER PUMP

(A)=4TN82TL-RMZ

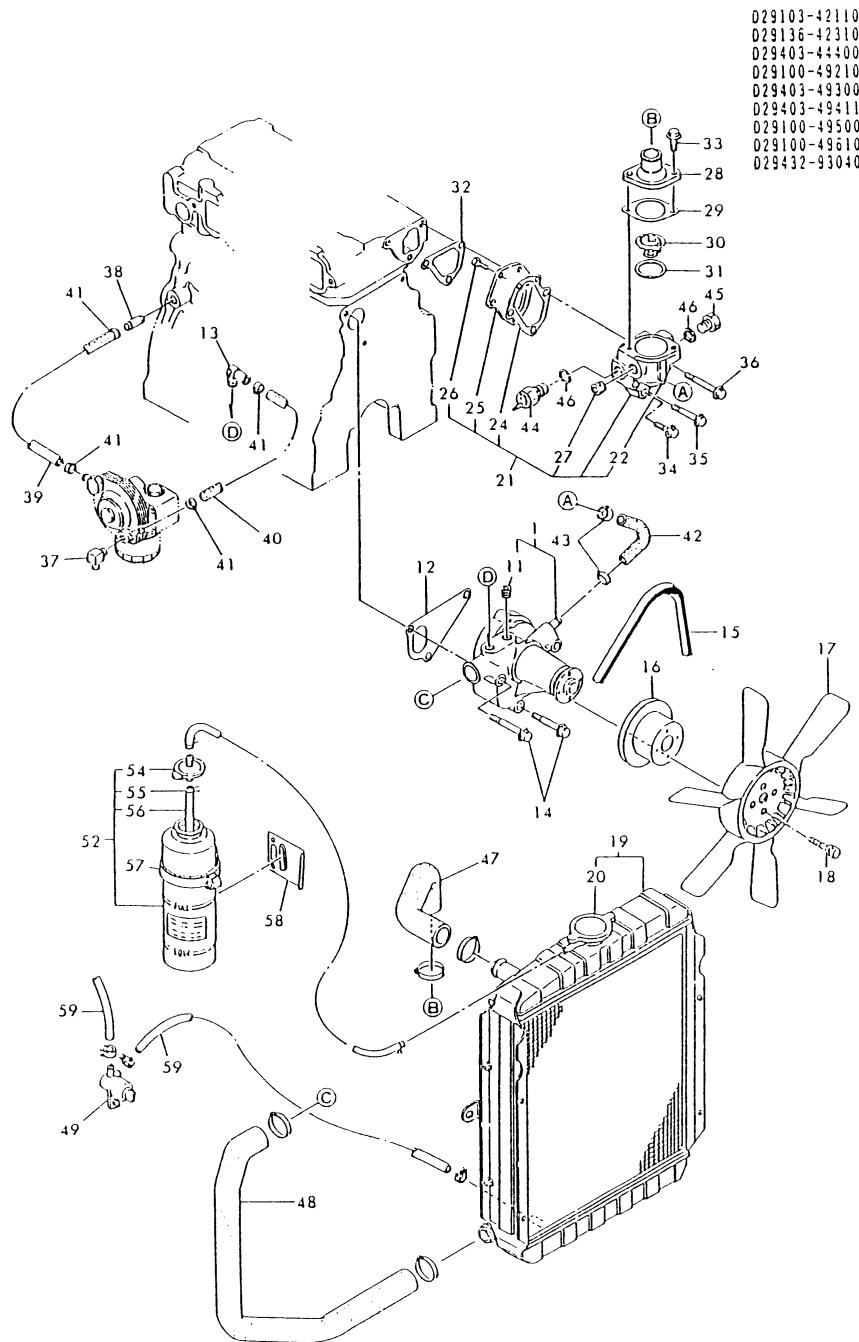
(B)=

(C)=

(D)=

(E)=

(F)=



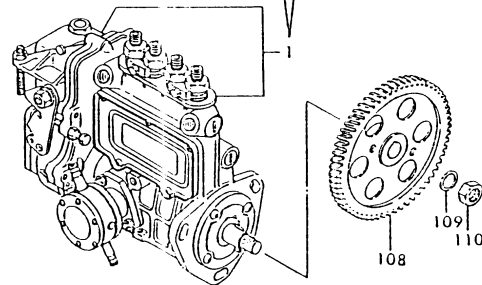
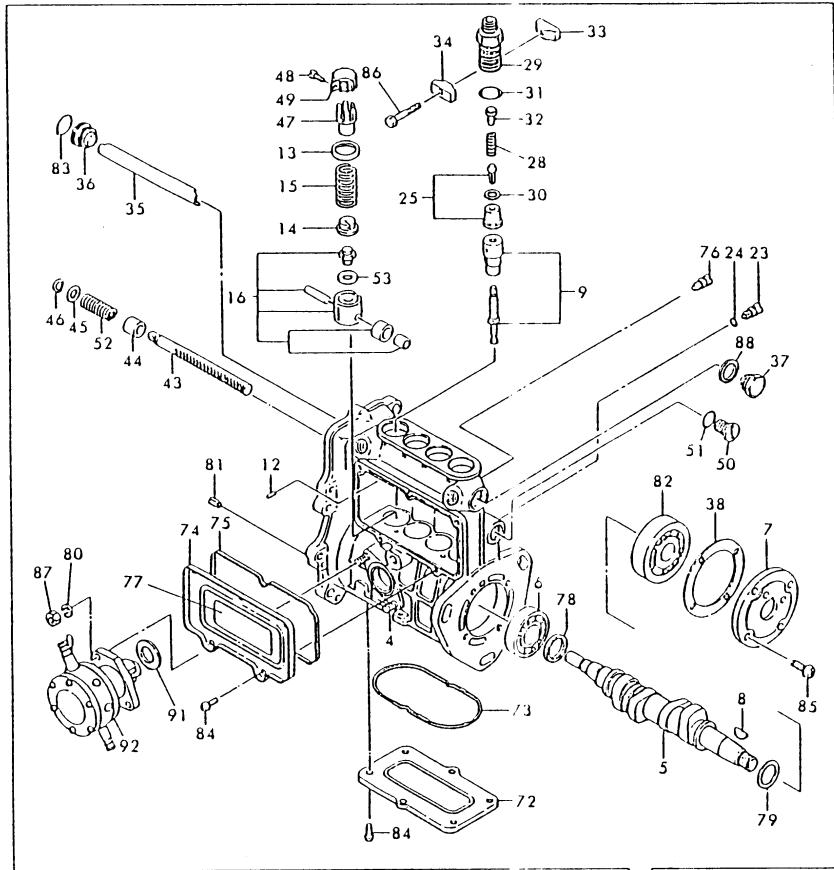
D29103-42110
 D29136-42310
 D29403-44400
 D29100-49210
 D29403-49300
 D29403-49411
 D29100-49500
 D29100-49610
 D29432-93040

No.	Lev.	Parts No.	Description	Q'ty						I	R
				(A)	(B)	(C)	(D)	(E)	(F)		
1	1	129100-42002	PUMP ASSY, WATER	1							
11	2	23871-030000	PLUG, R03	1							
12	1	129100-42020	GASKET, WATER PUMP	1							
13	1	129103-49301	ELBOW, PT1/4	1							
14	1	26106-080602	BOLT, M8X 60 PLATED	3							
15	1	124001-42290	V-BELT, 36	1							
16	1	129556-42350	V-PULLEY, 96	1							
17	1	129403-44740	FAN, COOLING 370	1							
18	1	26014-060162	BOLT, M6X 16	4							
19	1	171430-44500	RADIATOR	1							
20	2	123682-44210	CAP, RADIATOR	1							
21	1	129100-49800	CASE ASSY,THERMOSTAT	1							
22	2	124770-11770	JOINT, PIPE PT1/8	1							
24	2	129100-49820	GASKET	1							
25	2	129100-49830	COVER, THERMOSTAT	1							
26	2	26116-060162	BOLT, M6X 16 PLATED	2							
27	2	23871-030000	PLUG, R03	1							
28	1	129350-49530	COVER, THERMOSTAT	1							
29	1	129795-49551	GASKET	1							
30	1	129155-49800	THERMOSTAT, 71	1							
31	1	129150-49811	GASKET, THERMOSTAT	1							
32	1	129100-49840	GASKET	1							
33	1	26106-080202	BOLT, M8X 20 PLATED	2							
34	1	26106-080252	BOLT, M8X 25 PLATED	1							
35	1	26106-080502	BOLT, M8X 50 PLATED	1							
36	1	26106-080602	BOLT, M8X 60 PLATED	1							
37	1	121750-49110	JOINT	1							
38	1	129122-44480	JOINT	1							
39	1	129403-49031	PIPE, WATER	1							
40	1	129403-49050	PIPE, WATER	1							
41	1	23000-022000	CLAMP, 22	4							
42	1	129100-49050	PIPE, WATER	1							
43	1	23000-016000	CLAMP, 16	2							
44	1	121250-44901	SWITCH, 110	1							
45	1	121450-42450	PLUG, M16	1							
46	1	124465-44950	GASKET, 16	2							
47	1	171440-49010	PIPE, WATER	1							
48	1	171420-49020	PIPE, WATER	1							
49	1	129150-49100	COCK ASSY, 3-WAY	1							
52	1	124450-44510	TANK ASSY, SUB	1							
54	2	124450-44530	CAP	1							
55	2	124450-44560	RETAINER	1							
56	2	23061-070230	PIPE, 7X 230	1							
57	1	124450-44550	BAND	1							
58	1	121256-44600	BRACKET, SUB TANK	1							
59	1	121492-59090	PIPE, FUEL	2							W

(A)=EXXX

Fig.12. FUEL INJECTION PUMP

029150-25200
729432-51390



(A)=4TN82TL-RMZ

(B)=

(C)=

(D)=

(E)=

(F)=

No.	Lev.	Parts No.	Description	Q'ty						I	R
				(A)	(B)	(C)	(D)	(E)	(F)		
1	1	729432-51390	PUMP ASSY, INJECTION	1							1
4	2	129155-51020	STUD	2							
5	2	129470-51040	CAMSHAFT	1							
6	2	129155-51050	BEARING, 17BM001D	1							
7	2	129155-51060	SUPPORT, CAMSHAFT	1							
8	2	122710-51090	KEY	1							
9	2	129470-51101	PLUNGER ASSY	4							
12	2	129155-51140	PIN	4							
13	2	174307-51170	RETAINER, SPRING A	4							
14	2	129155-51180	RETAINER, SPRING	4							
15	2	124950-51190	SPRING, PLUNGER	4							
16	2	129155-51200	TAPPET ASSY	4							
23	2	129155-51270	STOPPER, TAPPET	4							
24	2	129155-51280	O-RING, S6	4							
25	2	129100-51300	VALVE ASSY, DELIVERY	4							
28	2	129155-51320	SPRING, DELIVERY	4							
29	2	129155-51340	RETAINER	4							
30	2	124550-51350	GASKET, DELIVERY	4							
31	2	124550-51370	O-RING	4							
32	2	129155-51370	STOPPER, VALVE	4							
33	2	129155-51380	STOPPER	2							
34	2	129155-51390	STOPPER	2							
35	2	129555-51400	DEFLECTOR	1							
36	2	129155-51410	BOLT	1							
37	2	129155-51420	PLUG, M16	1							
38	2	129155-51450	SHIM SET, ADJUSTING	1							
43	2	129555-51500	RACK, CONTROL	1							
44	2	129155-51521	BUSH, RACK	1							
45	2	129155-51530	SPACER	1							
46	2	129155-51540	CIRCLIP	1							
47	2	129155-51550	PINION, CONTROL	4							
48	2	122117-51560	SCREW	4							
49	2	174307-51560	PINION	4							
50	2	129155-51570	PLUG, M12	1							
51	2	129155-51580	O-RING	1							
52	2	129155-51591	SPRING, RACK	1							
53	2	129155-51600	SHIM SET, ADJUSTING	4							
72	2	129555-51700	COVER	1							
73	2	129555-51710	GASKET	1							
74	2	129555-51750	COVER	1							
75	2	129555-51760	GASKET	1							
76	2	129155-51790	STOPPER, RACK	1							
77	2	129156-51910	LABEL, CAUTION	1							
78	2	129155-51930	SPACER, T=3.25	1							
79	2	129155-51940	SPACER, T=1.5	1							
80	2	22217-060000	WASHER, SPRING 6	2							
81	2	22351-050010	PIN, SPRING 5.0X10	2							
82	2	24101-063034	BEARING, BALL 6303	1							
83	2	24341-000160	O-RING, 1AS16.0	1							
84	2	26022-050102	SCREW, M5X10	11							
85	2	26022-060162	SCREW, M6X16	4							

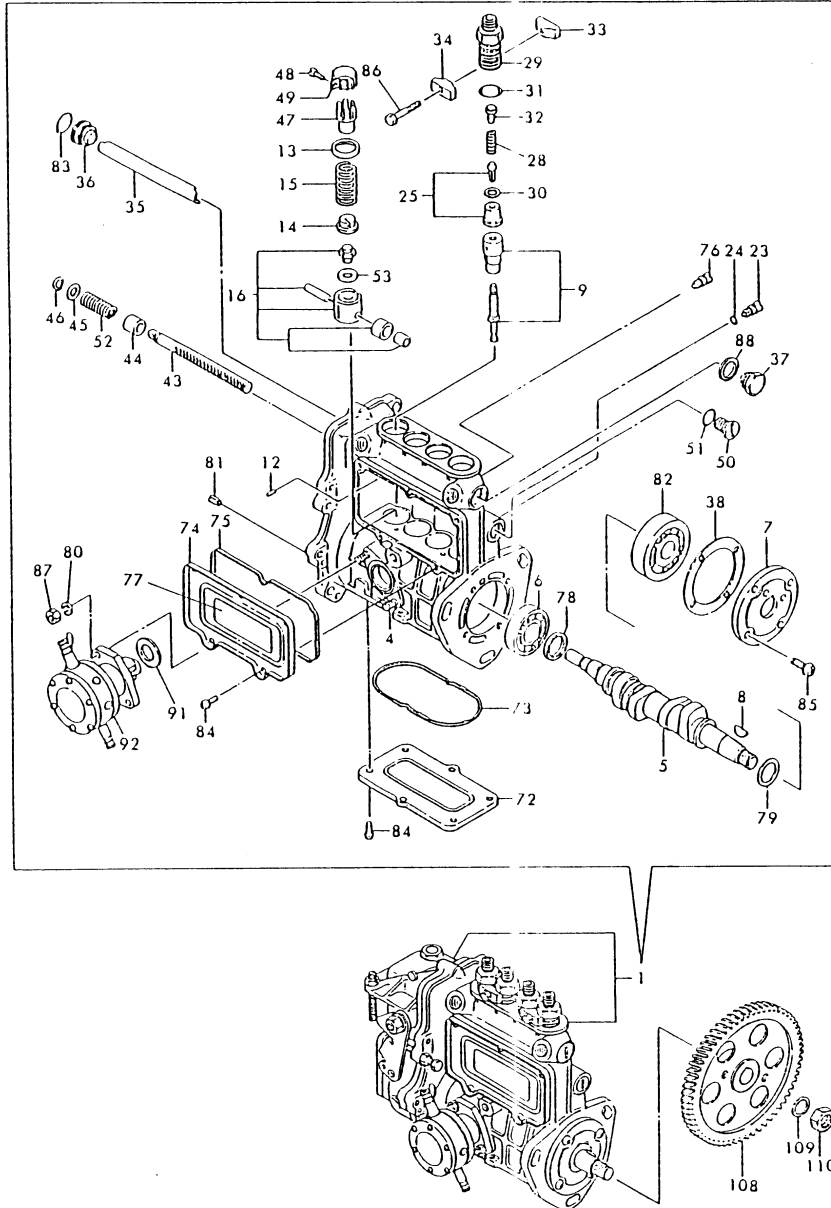
N:Old $\begin{matrix} \text{Yes} \\ \text{No} \end{matrix}$ New, Q:Old $\begin{matrix} \text{No} \\ \text{Yes} \end{matrix}$ New, R:Old $\begin{matrix} \text{Yes} \\ \text{No} \end{matrix}$ New, S:Old $\begin{matrix} \text{No} \\ \text{Yes} \end{matrix}$ New, W:Add, Z:Discontinued, F:Interchangeable by set, K:Q'ty Change

++ CONTINUE ++

Copyright (C) YANMAR CO., LTD. All Rights Reserved.

Fig.12. FUEL INJECTION PUMP

029150-25200
729432-51390



(A)=4TN82TL-RMZ
(B)=
(C)=

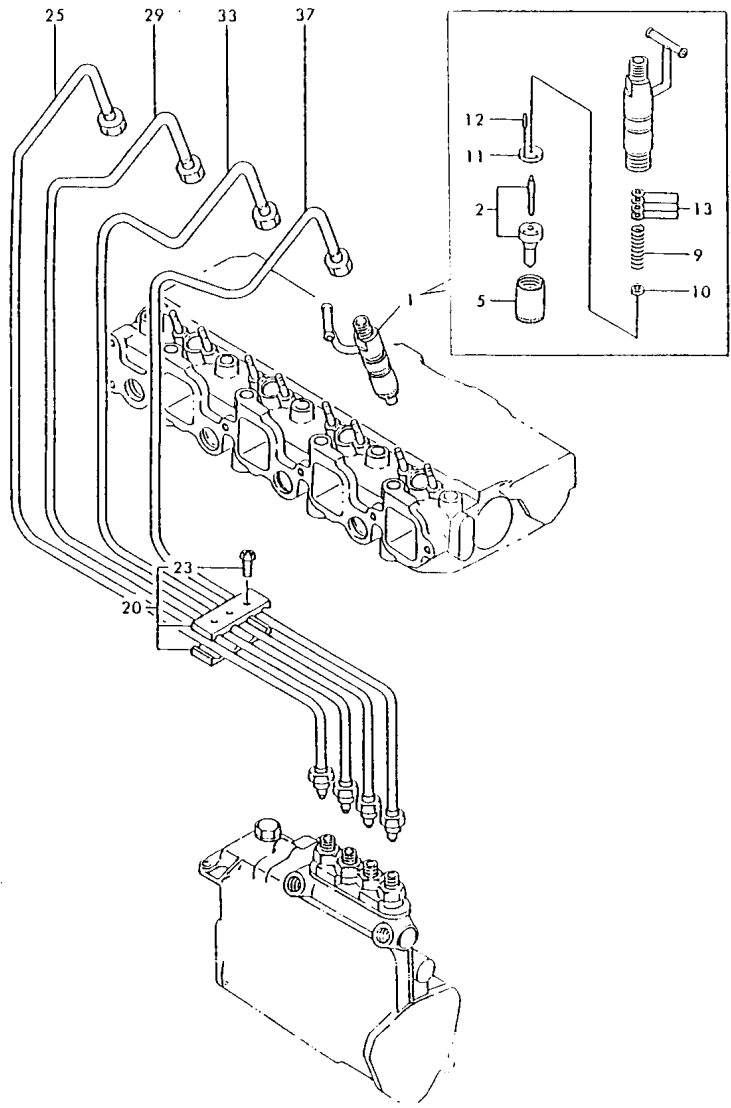
(D)=
(E)=
(F)=

No.	Lev.	Parts No.	Description	Qty						I	R
				(A)	(B)	(C)	(D)	(E)	(F)		
86	2	26116-050302	BOLT, M5X 30 PLATED	2							
87	2	26716-060002	NUT, M6	2							
88	2	43400-500490	SEAL WASHER 16S	1							
91	2	129155-52050	GASKET	1							
92	2	129100-52100	PUMP ASSY, FUEL FEED	1							
108	1	129150-25900	GEAR, PUMP	1							
109	1	22217-120000	WASHER, SPRING 12	1							
110	1	26716-120002	NUT, M12	1							

Fig.13. FUEL INJECTION VALVE

(A)=4TN82TL-RMZ
 (B)=
 (C)=
 (D)=
 (E)=
 (F)=

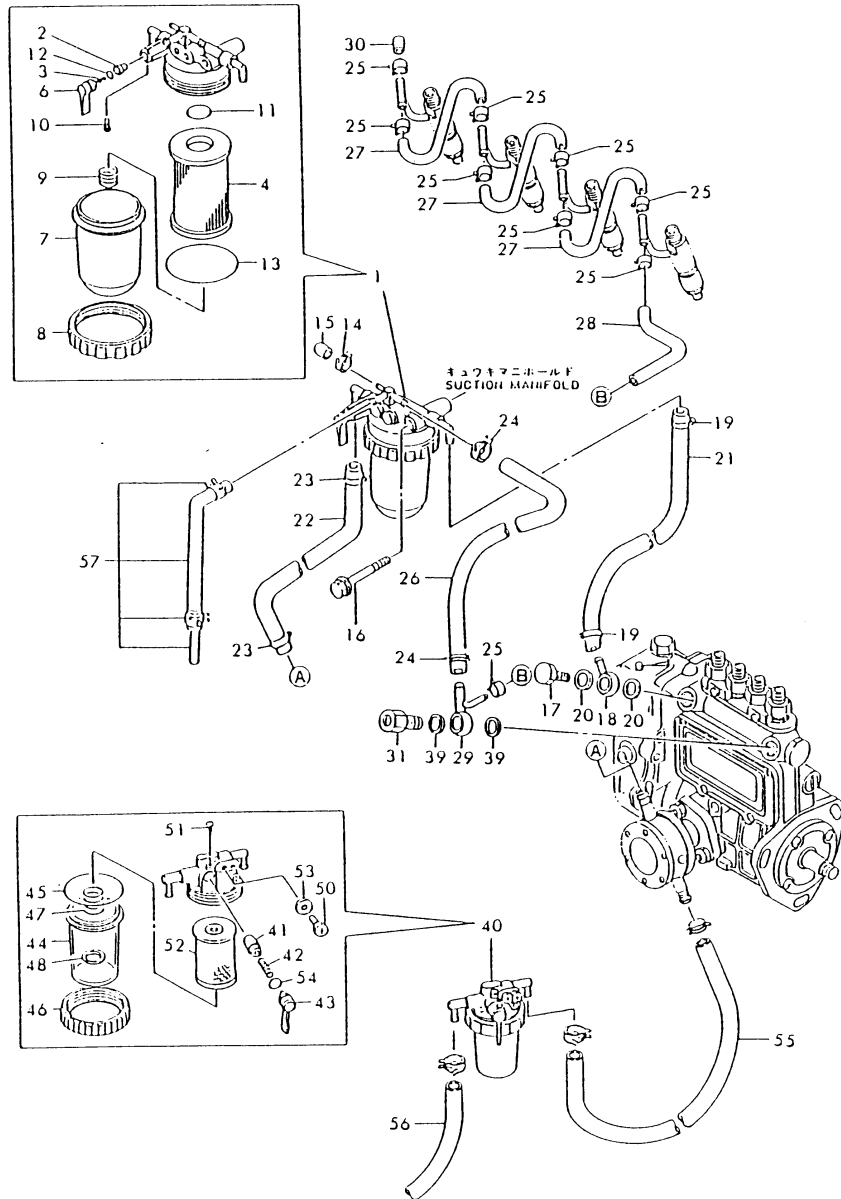
029503-53200
 029400-59110



No.	Lev.	Parts No.	Description	Q'ty						I	R
				(A)	(B)	(C)	(D)	(E)	(F)		
1	1	729503-53300	VALVE ASSY,INJECTION	4							
2	2	129503-53050	VALVE ASSY,INJECTION	4							
5	2	114250-53080	NUT, NOZZLE D16.95	4							
9	2	114250-53120	SPRING, NOZZLE	4							
10	2	114250-53130	SEAT, SPRING	4							
11	2	114250-53140	PLATE	4							
12	2	114250-53210	PIN	8							
13	2	114250-53400	SHIM SET	4							
20	1	129550-59120	RETAINER, PIPE	1							
23	2	129150-59130	BOLT, M4X12	2							
25	1	129400-59910	PIPE ASSY, INJECTION	1							
29	1	129400-59920	PIPE ASSY, INJECTION	1							
33	1	129400-59930	PIPE ASSY, INJECTION	1							
37	1	129400-59940	PIPE ASSY, INJECTION	1							

Fig.14. FUEL STRAINER

029100-55112
 029400-59211
 029400-59302
 029432-93040



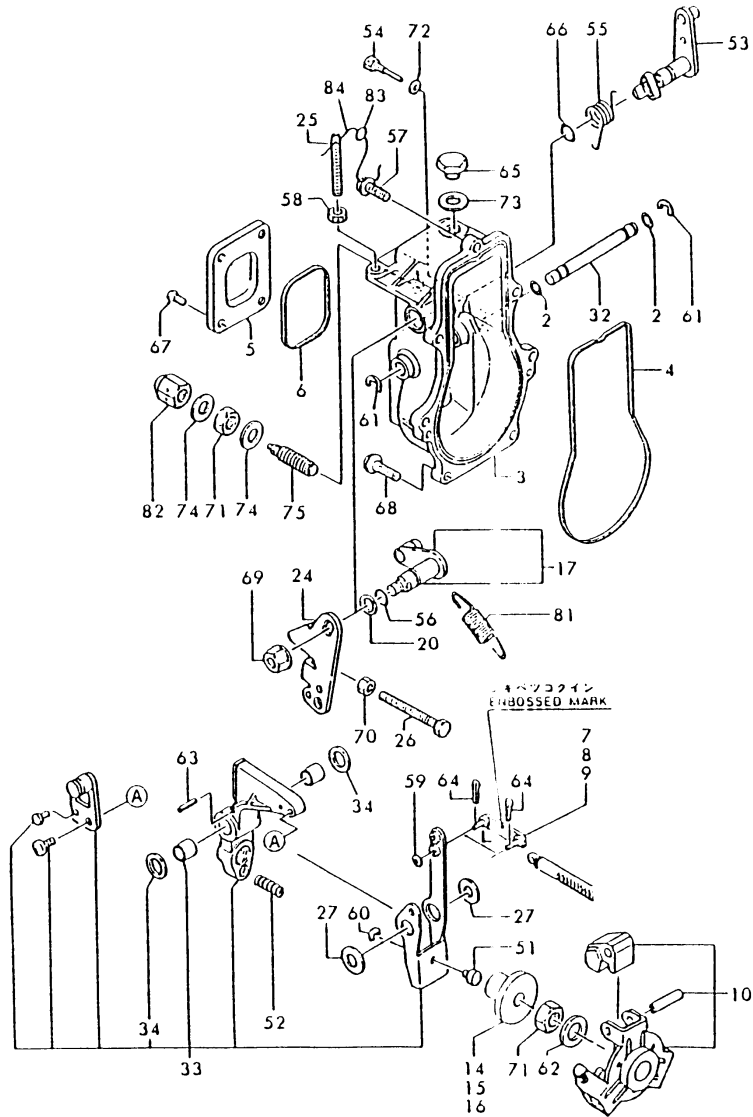
(A)=4TN82TL-RMZ
 (B)=
 (C)=

(D)=
 (E)=
 (F)=

No.	Lev.	Parts No.	Description	Q'ty						I	R
				(A)	(B)	(C)	(D)	(E)	(F)		
1	1	129100-55621	FILTER ASSY, FUEL	1							
2	2	104200-55321	VALVE, TAPER	1							
3	2	104200-55330	SPRING, VALVE	1							
4	2	129100-55650	ELEMENT	1							
6	2	129100-55670	LEVER	1							
7	2	129100-55680	CUP, STRAINER	1							
8	2	129100-55690	RING, RETAINING	1							
9	2	129100-55700	SPRING	1							
10	2	104200-55750	SCREW, M4	1							
11	2	24311-000160	O-RING, 1AP16.0	1							
12	2	24311-240100	O-RING, 1AP10A	1							
13	2	24321-000650	O-RING, 1AG65.0	1							
14	1	124066-59100	CLIP, HOSE 8	1							
15	1	129150-59580	CAP	1							
16	1	26014-080702	BOLT, M8X 70	1							
17	1	103854-39140	BOLT, PIPE JOINT	1							
18	1	101304-59020	JOINT, PIPE 12	1							
19	1	124766-59050	CLIP, HOSE 12	2							
19-1	1	124766-59050	CLIP, HOSE 12	4							K
(A=E02342)											
20	1	104200-59170	GASKET, 12	2							
21	1	129555-59510	PIPE, D13/7.5X180	1							
22	1	105025-59530	PIPE, FUEL D13X400	1							
23	1	23000-013000	CLAMP, 13	2							Z
(A=E02342)											
24	1	124766-59050	CLIP, HOSE 12	2							
25	1	124066-59100	CLIP, HOSE 8	9							
26	1	105025-59530	PIPE, FUEL D13X400	1							
27	1	121250-59550	PIPE, FUEL D8X120	3							
28	1	119840-59560	PIPE, FUEL RETURN	1							
29	1	119840-59570	JOINT	1							
30	1	129150-59580	CAP	1							
31	1	129100-59951	VALVE ASSY, CHECK	1							
39	1	23414-120000	GASKET, 12X1.0	2							
40	1	129335-55700	SEPARATOR ASSY, WATER	1							
41	2	104200-55321	VALVE, TAPER	1							
42	2	104200-55330	SPRING, VALVE	1							
43	2	104200-55341	HANDLE	1							
44	2	124064-55510	COVER	1							
45	2	102103-55520	O-RING	1							
46	2	110250-55610	RING, RETAINING	1							
47	2	121257-55720	SPRING	1							
48	2	121257-55731	FLOAT	1							
50	2	101720-55750	PLUG, 6	2							
51	2	104200-55750	SCREW, M4	1							
52	2	171081-55910	SCREEN	1							
53	2	23418-060000	GASKET, 6X1.0	2							
54	2	24311-240100	O-RING, 1AP10A	1							
55	1	121522-59100	PIPE, FUEL D12X500	1							
56	1	105225-59520	PIPE, FUEL	2							
57	1	119840-59601	BEND	1							

Fig.15. GOVERNOR

729432-51390



(A)=4TN82TL-RMZ

(B)=

(C)=

(D)=

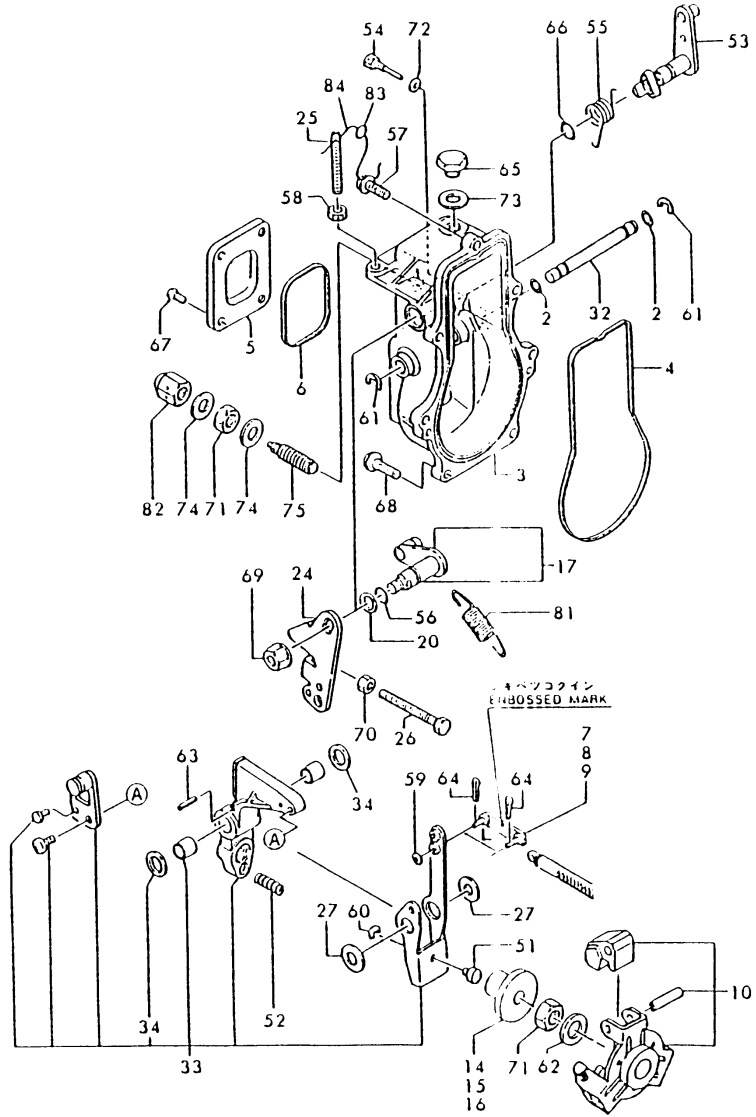
(E)=

(F)=

No.	Lev.	Parts No.	Description	Q'ty						I	R
				(A)	(B)	(C)	(D)	(E)	(F)		
2	2	129155-51280	O-RING, S6	2							
3	2	129155-61011	CASE, GOVERNOR	1							
4	2	129155-61050	GASKET	1							
5	2	129155-61060	COVER, GOVERNOR CASE	1							
6	2	129155-61070	GASKET	1							
7	2	129155-61120	LINK, L=30 MARK 0	1							
8	2	129155-61130	LINK, L=31 MARK 1	1							
9	2	129155-61140	LINK, L=30.5 MARK 05	1							
10	2	129155-61201	WEIGHT ASSY,GOVERNOR	1							
14	2	129155-61341	SLEEVE	1							
15	2	129155-61350	SLEEVE, L=24.9	1							
16	2	129155-61360	SLEEVE, L=25.2	1							
17	2	129100-61400	SHAFT ASSY	1							
20	2	129155-61430	SPACER	1							
24	2	129100-61440	LEVER, CONTROL	1							
25	2	129155-61450	BOLT, LIMITER	1							
26	2	129155-61460	BOLT, IDLE	1							
27	2	129155-61480	SPACER ASSY	2							
32	2	129155-61490	SHAFT	1							
33	2	129500-61500	LEVER ASSY, GOVERNOR	1							
34	3	174307-51700	SHIM SET	2							
51	2	129155-61540	SHIFTER	1							
52	2	129100-61650	SPRING, CONTROLLER	1							
53	2	129255-61802	LEVER, STOP	1							
54	2	129155-61810	PIN	1							
55	2	129100-61821	SPRING, RETURN	1							
56	2	129155-61830	O-RING, S10	1							
57	2	129155-61950	BOLT	1							
58	2	124550-66370	NUT, M6	1							
59	2	22117-040000	WASHER, 4	1							
60	2	22272-000040	RING, E- 4	1							
61	2	22272-000060	RING, E- 6	2							
62	2	22287-120000	WASHER, 12	1							
63	2	22351-030016	PIN, SPRING 3.0X16	1							
64	2	22360-040000	PIN, SNAP 4	2							
64-1	2	22372-040000	PIN, SNAP 4	2							N
(A=E02129)											
65	2	23887-100002	PLUG, 10	1							
66	2	24311-240100	O-RING, 1AP10A	1							
67	2	26022-050102	SCREW, M5X10	4							
68	2	26106-060202	BOLT, M6X 20 PLATED	6							
69	2	26366-080002	NUT, M8	1							
70	2	26756-060002	NUT, LOCK M6	1							
71	2	26776-120002	NUT, LOCK M12	2							
72	2	43400-500390	SEAL WASHER 6S	1							
73	2	43400-500430	SEAL WASHER 10S	1							
74	2	43400-500450	SEAL WASHER 12S	2							
75	1	129100-61450	LIMITER ASSY, FUEL	1							
81	1	171353-61710	SPRING, GOVERNOR	1							
82	1	26687-120002	NUT, CAP M12	1							
83	1	135210-61090	LEAD	1							Z

Fig.15. GOVERNOR

729432-51390



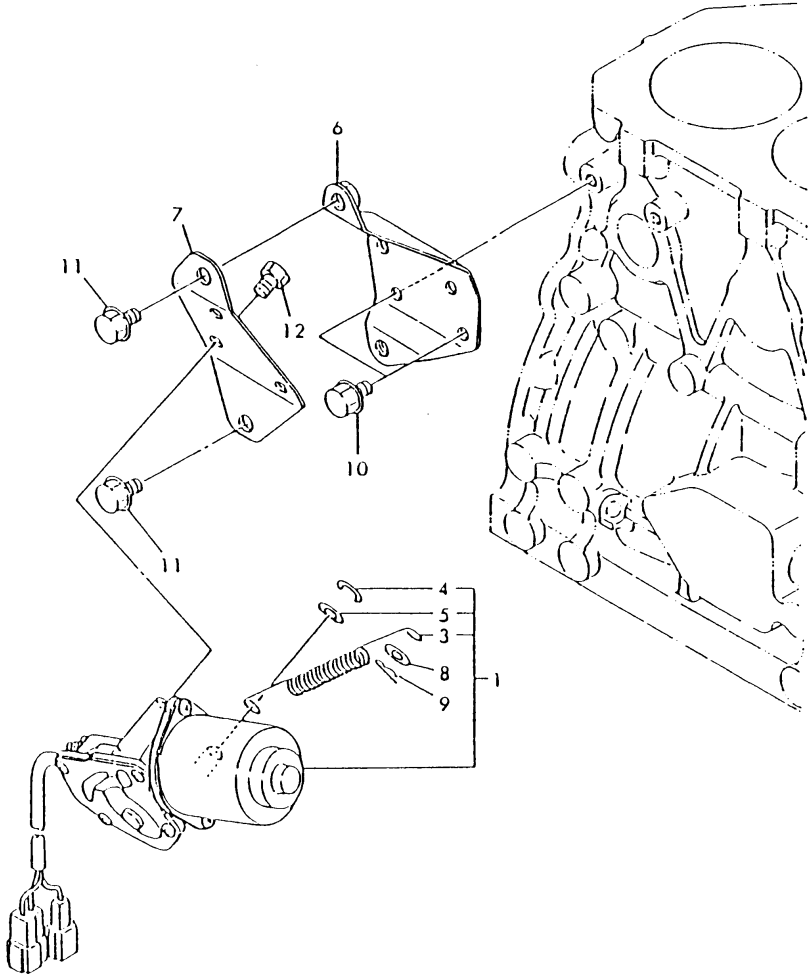
(A)=4TN82TL-RMZ
(B)=
(C)=

(D)=
(E)=
(F)=

No.	Lev.	Parts No.	Description	Q'ty						I	R
				(A)	(B)	(C)	(D)	(E)	(F)		
84	1	22451-060000	WIRE, 0.6	1						Z	

Fig.16. STOPPING SOLENOID

029505-66500



(A)=4TN82TL-RMZ
(B)=
(C)=

(D)=
(E)=
(F)=

No.	Lev.	Parts No.	Description	Q'ty						I	R
				(A)	(B)	(C)	(D)	(E)	(F)		
1	1	129505-66791	MOTOR ASSY, STOP	1							
3	2	129505-66830	SPRING, STOP MOTOR	1							
4	2	129566-66880	RING, SNAP	1							
5	2	129566-66890	WASHER	1							
6	1	129107-66810	BRACKET, STOP MOTOR	1							
7	1	129107-66820	BRACKET, STOP MOTOR	1							
8	1	22117-080000	WASHER, 8	1							
9	1	22360-080000	SNAP PIN 8	1							
10	1	26106-080122	BOLT, M8X 12 PLATED	2							
11	1	26106-080122	BOLT, M8X 12 PLATED	2							
12	1	26116-050102	BOLT, M5X 10 PLATED	3							

Fig.17. STARTING MOTOR

(A)=4TN82TL-RMZ

(B)=

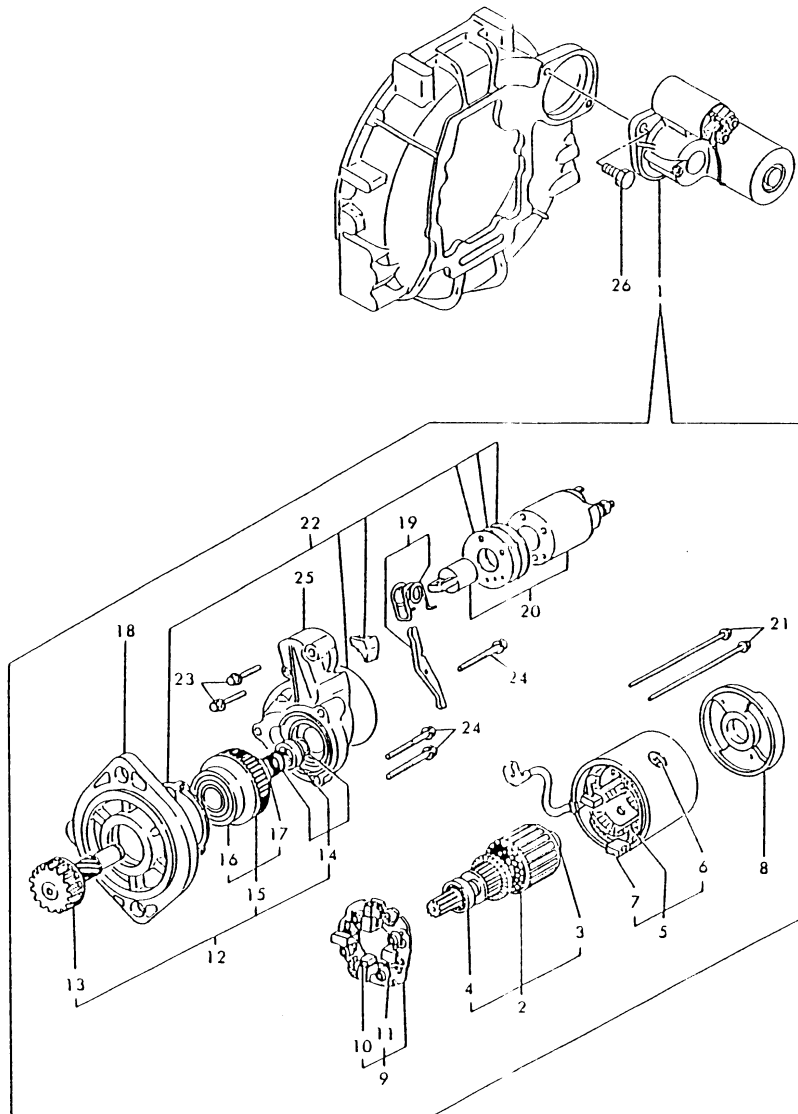
(C)=

(D)=

(E)=

(F)=

029400-77130



No.	Lev.	Parts No.	Description	Qty						I	R
				(A)	(B)	(C)	(D)	(E)	(F)		
1	1	129400-77011	STARTER, S13-94A	1							
2	2	129400-77400	ARMATURE ASSY	1							
3	3	171008-77410	BEARING	1							
4	3	171008-77420	BEARING	1							
5	2	129400-77440	COIL ASSY, FIELD	1							
6	3	171008-77450	SCREW	4							
7	3	129400-77460	BRUSH (+)	2							
8	2	129400-77510	COVER, REAR	1							
9	2	129400-77470	HOLDER ASSY, BRUSH	1							
10	3	129400-77480	BRUSH (-)	2							
11	3	129400-77490	SPRING	4							
12	2	171008-77650	PINION ASSY	1							
13	3	171008-77660	SHAFT	1							
14	3	171008-77670	STOPPER SET	1							
15	3	171008-77720	CLUTCH ASSY	1							
16	4	171008-77730	BEARING, BALL	1							
17	4	171008-77740	BEARING	1							
18	2	171008-77510	CASE, GEAR	1							
19	2	171008-77540	LEVER SET	1							
20	2	129400-77530	SWITCH ASSY,MAGNETIC	1							
21	2	129400-77640	BOLT, THROUGH	2							
22	2	129400-77570	COVER KIT, DUST	1							
23	2	26106-060322	BOLT, M6X 32 PLATED	2							
24	2	26106-060402	BOLT, M6X 40 PLATED	3							
25	2	129400-77520	HOUSING	1							
26	1	26116-120252	BOLT, M12X 25 PLATED	2							

Fig.18. ELECTRIC EQUIPMENT PARTS

(A)=4TN82TL-RMZ

(B)=

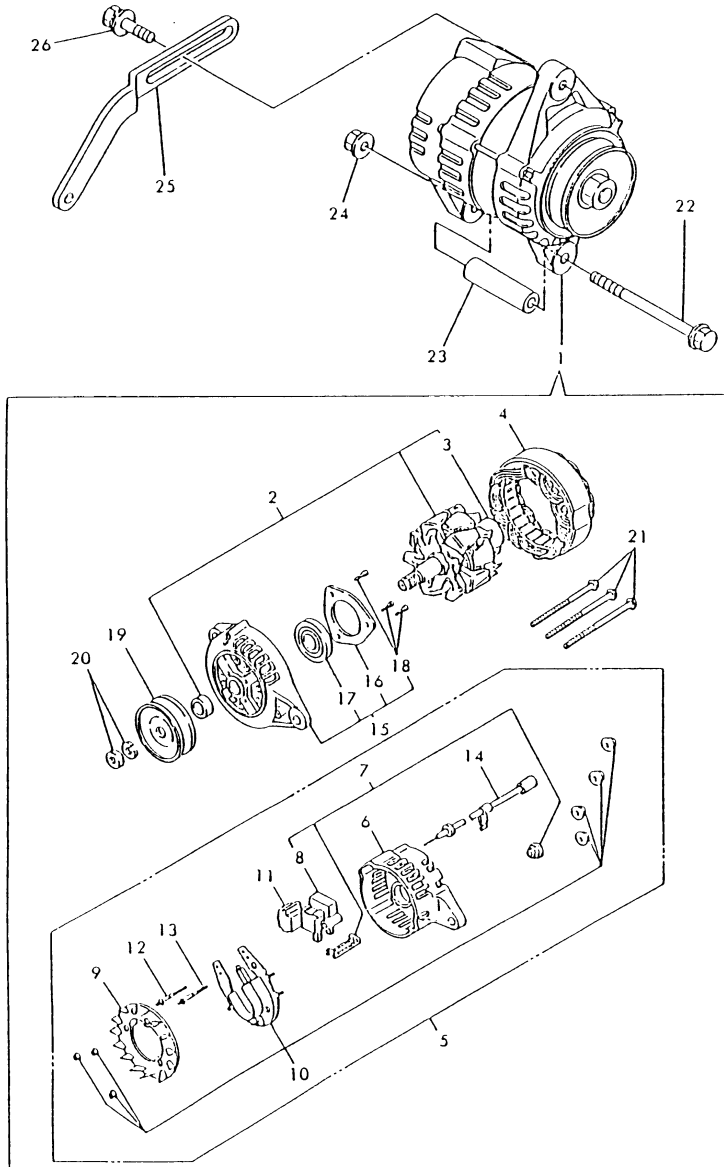
(C)=

(D)=

(E)=

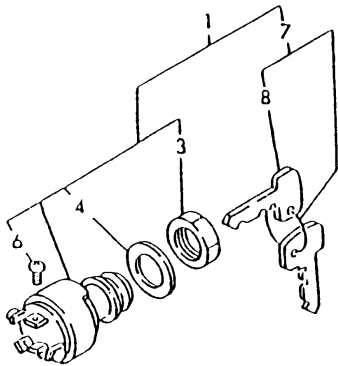
(F)=

019836-77200
029100-77310

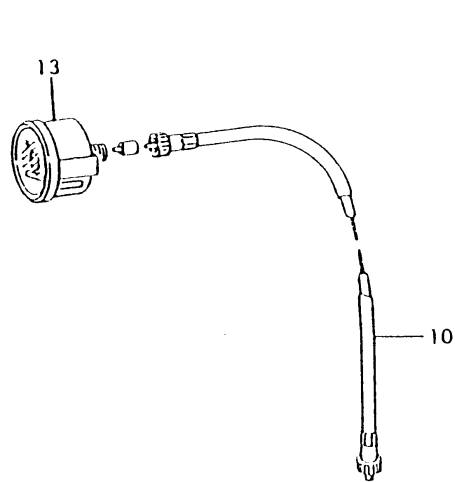
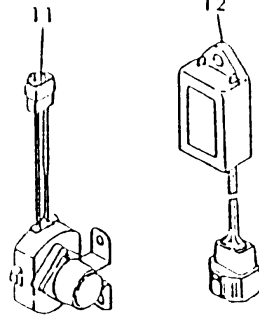


No.	Lev.	Parts No.	Description	Q'ty						I	R
				(A)	(B)	(C)	(D)	(E)	(F)		
1	1	119836-77200	GENERATOR	1							
2	2	119836-77700	ROTOR ASSY	1							
3	3	119836-77850	BALL BEARING	1							
4	2	119836-77710	STATOR ASSY	1							
5	2	119836-77721	COVER ASSY, REAR	1							
6	3	119836-77730	COVER, REAR	1							
7	3	119836-77741	BRUSH ASSY,REGULATOR	1							
8	4	119836-77750	BRUSH ASSY	1							
9	3	119836-77760	GUIDE, FAN SIDE	1							
10	3	119836-77770	DIODE ASSY	1							
11	3	119836-77780	CONDENSER	1							
12	3	119836-77871	BOLT (1)	1							
13	3	119836-77880	BOLT (2)	1							
14	3	119836-77890	WIRE ASSY, LEAD	1							
15	2	119836-77790	COVER ASSY, FRONT	1							
16	3	119836-77800	RETAINER, BEARING	1							
17	3	119836-77840	BALL BEARING	1							
18	3	119836-77860	SCREW KID	1							
19	2	119836-77810	PULLEY	1							
20	2	119836-77820	NUT ASSY, PULLEY	1							
21	2	119836-77830	BOLT, THROUGH	1							
22	1	129136-77250	BOLT M 8X105	1							
23	1	119820-77340	PIECE, DISTANCE	1							
24	1	26366-080002	NUT, M8	1							
25	1	129100-77330	ADJUSTER	1							
26	1	26014-080252	BOLT, M8X 25	1							

Fig.19. GEAR UNIT(TACHOMETER)



029432-93040

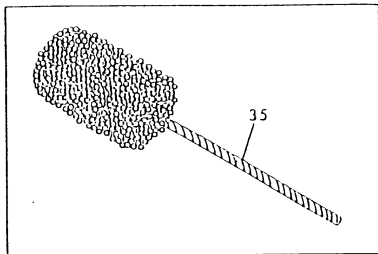
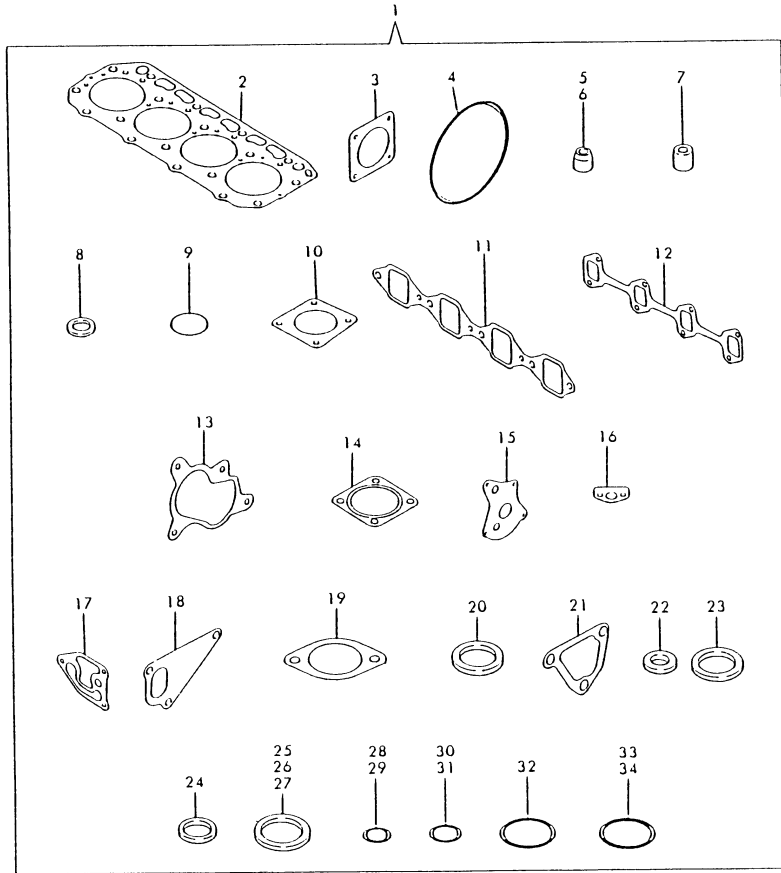


(A)=4TN82TL-RMZ
(B)=
(C)=

(D)=
(E)=
(F)=

No.	Lev.	Parts No.	Description	Q'ty						I	R
				(A)	(B)	(C)	(D)	(E)	(F)		
1	1	194180-52110	SWITCH, STARTING	1							
3	3	194275-52320	NUT, RING	1							
4	3	194275-52330	PACKING	1							
6	3	26022-040082	SCREW, M4X 8	7							
7	2	194155-52160	KEY ASSY	1							
8	3	194155-52190	KEY	2							
10	1	194145-56901	CABLE ASSY, METER	1							
11	1	171051-77100	RELAY, SAFETY	1							
12	1	128300-77920	TIMER	1							
13	1	129432-91100	TACHOMETER ASSY	1							
14	1	171085-91610	LABEL	1							

Fig.20. GASKET SET



(A)=4TN82TL-RMZ

(B)=

(C)=

(D)=

(E)=

(F)=

No.	Lev.	Parts No.	Description	Q'ty						I	R
				(A)	(B)	(C)	(D)	(E)	(F)		
1	1	729402-92601	GASKET SET	1							1
2	2	129402-01321	GASKET, HEAD	1							
3	2	124240-01883	GASKET	3							
4	2	121850-51960	O-RING	1							
5	2	121400-11340	SEAL, VALVE STEM	4							
6	2	124460-11340	SEAL, VALVE STEM	4							
7	2	119625-11870	PROTECTOR, NOZZLE	4							
8	2	119625-11880	SEAT, NOZZLE	4							
9	2	24311-000320	O-RING, 1AP32.0	1							
10	2	129150-77511	GASKET	1							
11	2	129550-12111	GASKET, MANIFOLD	1							
12	2	129550-13110	GASKET	1							
13	2	129403-18080	GASKET	2							
14	2	129322-18100	GASKET	1							
15	2	129150-32020	GASKET, PUMP	1							
16	2	129150-35041	GASKET	1							
17	2	129103-35122	GASKET	1							
18	2	129100-42020	GASKET, WATER PUMP	1							
19	2	129795-49551	GASKET	1							
20	2	129150-49811	GASKET, THERMOSTAT	1							
21	2	129100-49840	GASKET	1							
22	2	124465-44950	GASKET, 16	2							
23	2	129155-52050	GASKET	1							
24	2	43400-500410	SEAL WASHER 8S	9							
25	2	23414-170000	GASKET, 17X1.0	1							
26	2	23414-100000	GASKET, 10X1.0	4							
27	2	23414-120000	GASKET, 12X1.0	4							
28	2	24311-000120	O-RING, 1AP12.0	3							
29	2	24311-000160	O-RING, 1AP16.0	3							
30	2	24311-000200	O-RING, 1AP20.0	1							
31	2	24311-000210	O-RING, 1AP21.0	1							
32	2	24311-000320	O-RING, 1AP32.0	1							
33	2	24321-000550	O-RING, 1AG55.0	1							
34	2	24341-000240	O-RING, 1AS24.0	1							
35	1	129400-92420	HONE	1							1

Remarks

(1) OPTIONAL PART.

Parts No. Index

Parts No.	Fig. No.	Ref. No.
101304-59020	14	18
101720-55750	14	50
102103-55520	14	45
103338-11190	4	20
103854-39140	14	17
104200-55321	14	2
		41
104200-55330	14	3
		42
104200-55341	14	43
104200-55750	14	10
		51
104200-59170	14	20
105025-59530	14	22
		26
105225-59520	14	56
110250-55610	14	46
114250-53080	13	5
114250-53120	13	9
114250-53130	13	10
114250-53140	13	11
114250-53210	13	12
114250-53400	13	13
119131-18320	6	6 -1
119620-01750	3	2
119625-11870	4	38
	20	7
119625-11880	4	39
	20	8
119625-11900	4	42
119646-39910	3	22
119802-13650	6	3 -1
119802-13670	6	4 -1
119802-13820	6	5 -2
119820-77340	18	23
119836-77200	18	1
119836-77700	18	2
119836-77710	18	4
119836-77721	18	5
119836-77730	18	6
119836-77741	18	7
119836-77750	18	8
119836-77760	18	9
119836-77770	18	10
119836-77780	18	11
119836-77790	18	15
119836-77800	18	16
119836-77810	18	19
119836-77820	18	20
119836-77830	18	21

Parts No.	Fig. No.	Ref. No.
119836-77840	18	17
119836-77850	18	3
119836-77860	18	18
119836-77871	18	12
119836-77880	18	13
119836-77890	18	14
119840-59560	14	28
119840-59570	14	29
119840-59601	14	57
120130-11860	4	9
121100-22400	9	22
121111-21501	9	11
121250-44901	11	44
121250-59550	14	27
121252-39150	10	46
121256-44600	11	58
121257-55720	14	47
121257-55731	14	48
121400-11340	4	25
	20	5
121420-12511	5	13
121420-12540	5	16
121420-12550	5	17
121420-12561	5	18
121422-12530	5	15
121422-12570	5	19
121422-12580	5	20
121450-01560	2	5
121450-42450	11	45
121492-59090	11	59
121520-34810	10	23
121522-59100	14	55
121550-23200	9	26
121750-49110	11	37
121850-11860	4	11
121850-21680	9	10
121850-35200	10	33
121850-35520	10	38
121850-35531	10	39
121850-51960	2	10
	20	4
122117-51560	12	48
122710-51090	12	8
123682-44210	11	20
124001-42290	11	15
124064-55510	14	44
124066-59100	14	14
		25
124070-13300	10	59
124160-01751	2	6

Parts No.	Fig. No.	Ref. No.
124160-01751	4	44
124160-01910	1	4
		5
124160-11360	4	53
124160-39140	10	45
124160-39450	10	58
124223-35510	10	37
124223-39900	10	56
124240-01871	2	7
		55
124240-01883	2	8
		31
		56
	20	3
124450-44510	11	52
124450-44530	11	54
124450-44550	11	57
124450-44560	11	55
124460-11340	4	21
	20	6
124465-44950	11	46
	20	22
124550-21600	9	14
124550-51350	12	30
124550-51370	12	31
124550-59820	10	47
124550-66370	15	58
124736-07900	4	1
124766-59050	14	19
		19 -1
		24
124770-11770	11	22
124950-51190	12	15
128300-77920	19	12
129100-01520	2	4
129100-01580	3	3
		19
129100-01590	9	6
129100-01640	2	1
129100-01640	3	16
129100-01790	3	9
129100-11100	4	16
129100-11130	4	17
129100-23910	9	35
129100-25061	7	8
129100-35140	10	32
129100-42002	11	1
129100-42020	11	12
	20	18
129100-49050	11	42

Parts No.	Fig. No.	Ref. No.
129100-49800	11	21
129100-49820	11	24
129100-49830	11	25
129100-49840	11	32
	20	21
129100-51300	12	25
129100-52100	12	92
129100-55621	14	1
129100-55650	14	4
129100-55670	14	6
129100-55680	14	7
129100-55690	14	8
129100-55700	14	9
129100-59951	14	31
129100-61400	15	17
129100-61440	15	24
129100-61450	15	75
129100-61650	15	52
129100-61821	15	55
129100-77330	18	25
129103-33031	10	17
129103-33132	10	18
129103-35101	10	30
129103-35122	10	42
	20	17
129103-49301	11	13
129107-66810	16	6
129107-66820	16	7
129120-77501	5	8
129122-44480	11	38
129136-77250	18	22
129150-01200	1	22
129150-01580	2	22
129150-02020	1	11
129150-02450	7	5
129150-02800	1	14
129150-02870	1	24
129150-02930	1	17
129150-02940	1	27
129150-03020	4	45
129150-03070	4	46
129150-03080	4	47
129150-03100	2	23
129150-11050	4	6
129150-11230	4	32
129150-11280	4	37
129150-11370	4	22
129150-11750	4	34
129150-11810	4	10
129150-14101	7	3

Parts No. Index

Parts No.	Fig. No.	Ref. No.
129150-14200	7	6
129150-14400	7	7
129150-21200	9	4
129150-22300	9	21
129150-23600	9	27
129150-23610	9	36
129150-25101	7	9
129150-25900	12	108
129150-26050	2	25
129150-32020	10	15
	20	15
129150-35041	10	24
	20	16
129150-35091	10	25
129150-35150	10	43
129150-49100	11	49
129150-49811	11	31
	20	20
129150-59130	13	23
129150-59580	14	15
		30
129150-77511	5	9
	20	10
129150-91400	2	59
129155-11260	4	29
129155-11270	4	30
129155-49800	11	30
129155-51020	12	4
129155-51050	12	6
129155-51060	12	7
129155-51140	12	12
129155-51180	12	14
129155-51200	12	16
129155-51270	12	23
129155-51280	12	24
	15	2
129155-51320	12	28
129155-51340	12	29
129155-51370	12	32
129155-51380	12	33
129155-51390	12	34
129155-51410	12	36
129155-51420	12	37
129155-51450	12	38
129155-51521	12	44
129155-51530	12	45
129155-51540	12	46
129155-51550	12	47
129155-51570	12	50
129155-51580	12	51

Parts No.	Fig. No.	Ref. No.
129155-51591	12	52
129155-51600	12	53
129155-51790	12	76
129155-51930	12	78
129155-51940	12	79
129155-52050	12	91
	20	23
129155-61011	15	3
129155-61050	15	4
129155-61060	15	5
129155-61070	15	6
129155-61120	15	7
129155-61130	15	8
129155-61140	15	9
129155-61201	15	10
129155-61341	15	14
129155-61350	15	15
129155-61360	15	16
129155-61430	15	20
129155-61450	15	25
129155-61460	15	26
129155-61480	15	27
129155-61490	15	32
129155-61540	15	51
129155-61810	15	54
129155-61830	15	56
129155-61950	15	57
129156-51910	12	77
129255-61802	15	53
129322-18100	8	40
	20	14
129335-55700	14	40
129350-49530	11	28
129400-01730	3	11
129400-11350	4	43
129400-12100	5	1
129400-59910	13	25
129400-59920	13	29
129400-59930	13	33
129400-59940	13	37
129400-77011	17	1
129400-77400	17	2
129400-77440	17	5
129400-77460	17	7
129400-77470	17	9
129400-77480	17	10
129400-77490	17	11
129400-77510	17	8
129400-77520	17	25
129400-77530	17	20

Parts No.	Fig. No.	Ref. No.
129400-77570	17	22
129400-77640	17	21
129400-92420	20	35
129402-01321	1	23
	20	2
129402-22090	9	15
129403-12090	5	5
129403-12560	5	22
129403-12570	5	23
129403-12580	5	24
129403-12590	5	25
129403-13120	6	1
129403-13540	6	8
129403-18080	6	9
	8	39
	20	13
129403-18620	8	32
129403-18630	8	30
129403-18650	8	19
129403-18690	8	4
129403-18700	8	23
129403-18710	8	24
129403-18730	8	31
129403-21590	9	12
129403-34800	10	22
129403-39460	10	48
129403-44740	11	17
129403-49031	11	39
129403-49050	11	40
129404-18020	8	1
129404-18330	8	37
129404-18500	8	9
129404-18510	8	10
129404-18520	8	11
129404-18530	8	12
129404-18540	8	13
129404-18550	8	14
129404-18560	8	15
129404-18570	8	16
129404-18580	8	22
129404-18590	8	2
129404-18600	8	3
129404-18610	8	29
129404-18640	8	18
129404-18660	8	20
129404-18670	8	26
129404-18680	8	27
129404-18720	8	5
129404-18741	8	34
129404-18750	8	6

Parts No.	Fig. No.	Ref. No.
129404-18760	8	36
129404-18770	8	8
129404-18780	8	28
129404-18790	8	17
129404-18800	8	25
129404-18811	8	33
129404-18820	8	21
129432-12070	5	11
129432-91100	19	13
129470-11080	4	7
129470-11090	4	8
129470-51040	12	5
129470-51101	12	9
129488-13500	6	7
129500-61500	15	33
129503-39600	10	60
129503-53050	13	2
129505-66791	16	1
129505-66830	16	3
129506-39610	10	61
129550-11290	4	27
129550-11310	4	49
129550-12111	5	2
	20	11
129550-13110	6	2
	20	12
129550-59120	13	20
129553-32000	10	1
129553-39650	10	71
129555-11241	4	26
129555-26000	2	24
129555-26201	2	26
129555-26240	2	29
129555-51400	12	35
129555-51500	12	43
129555-51700	12	72
129555-51710	12	73
129555-51750	12	74
129555-51760	12	75
129555-59510	14	21
129556-42350	11	16
129566-66880	16	4
129566-66890	16	5
129693-44310	6	5 -1
129792-39410	10	65
129795-01780	3	18
129795-01800	2	3
129795-01950	2	9
129795-02411	1	20
129795-11120	4	18

Parts No. Index

Parts No.	Fig. No.	Ref. No.
129795-11180	4	19
129795-21661	9	9
129795-49551	11	29
	20	19
135210-61090	15	83
171008-77410	17	3
171008-77420	17	4
171008-77450	17	6
171008-77510	17	18
171008-77540	17	19
171008-77650	17	12
171008-77660	17	13
171008-77670	17	14
171008-77720	17	15
171008-77730	17	16
171008-77740	17	17
171051-01921	1	10
171051-77100	19	11
171061-12500	5	12
171061-12520	5	14
171061-12800	5	21
171081-55910	14	52
171085-91610	19	14
171301-01640	3	7
171301-21650	9	8
171350-03090	4	55
171353-61710	15	81
171420-49020	11	48
171430-44500	11	19
171440-01600	3	1
171440-49010	11	47
174307-51170	12	13
174307-51560	12	49
174307-51700	15	34
194145-56901	19	10
194155-52160	19	7
194155-52190	19	8
194180-52110	19	1
194275-52320	19	3
194275-52330	19	4
194521-41510	2	36
194521-41521	2	37
194521-41530	2	38
194521-41540	2	39
194521-41550	2	40
194521-41570	2	41
194521-41580	2	42
194640-41110	2	33
194990-22050	2	32
	8	41

Parts No.	Fig. No.	Ref. No.
22117-040000	15	59
22117-080000	16	8
22217-060000	12	80
22217-080000	2	49
22217-120000	12	109
22252-000320	2	50
22272-000040	15	60
22272-000060	15	61
22273-000060	8	35
22287-120000	15	62
22351-030010	10	72
22351-030016	15	63
22351-040010	9	7
22351-050010	12	81
22351-060012	4	23
22360-040000	15	64
22360-080000	16	9
22372-040000	15	64 -1
22451-060000	15	84
22512-070140	7	4
	9	5
23000-013000	14	23
23000-016000	11	43
23000-022000	11	41
23000-025000	10	62
23000-054000	5	6
23000-060000	5	7
23061-070230	11	56
23080-012000	8	7
23414-100000	10	54
	20	26
23414-120000	14	39
	20	27
	20	25
23414-170000	20	25
23414-180000	10	40
23414-220000	3	23
23418-060000	14	53
23857-180000	3	24
23871-010000	1	6
23871-020000	10	41
23871-030000	4	12
	5	4
	11	11
		27
23887-100002	15	65
24101-060024	2	30
24101-063034	12	82
24311-000120	4	54
	20	28
24311-000160	2	11

Parts No.	Fig. No.	Ref. No.
24311-000160	14	11
	20	29
24311-000200	10	19
	20	30
24311-000210	10	20
	20	31
24311-000320	2	12
	4	50
	20	9
		32
24311-240100	14	12
		54
	15	66
24314-000160	10	63
24321-000550	10	21
	20	33
24321-000650	14	13
24341-000112	2	51
24341-000160	12	83
24341-000240	2	61
	3	10
	20	34
24341-000500	4	51
26013-080402	5	26
26014-060162	11	18
26014-080252	18	26
26014-080702	14	16
26022-040082	19	6
26022-050102	12	84
	15	67
26022-060162	12	85
26106-060162	2	62
	10	64
26106-060202	15	68
26106-060322	17	23
26106-060402	17	24
26106-080102	10	57
26106-080122	2	13
	16	10
		11
26106-080142	4	2
26106-080162	1	21
	2	14
		15
		57
	3	12
	4	52
26106-080202	11	33
26106-080252	3	13
	4	40

Parts No.	Fig. No.	Ref. No.
26106-080252	11	34
26106-080302	3	20
26106-080352	3	21
	5	3
		10
	10	29
26106-080402	2	53
26106-080452	2	16
	3	14
	7	12
26106-080502	3	15
	4	41
	11	35
26106-080552	2	17
26106-080602	11	14
		36
26106-080652	6	3
26106-080752	10	44
26106-080852	2	18
	6	4
26106-081002	6	5
26106-081202	2	54
26116-050102	16	12
26116-050302	12	86
26116-060162	11	26
26116-120252	17	26
26206-100252	3	4
26206-100302	3	5
26216-060202	4	13
26216-080222	6	6
26226-080182	4	35
26331-080002	5	27
26366-060002	4	24
26366-080002	2	19
	15	69
	18	24
26450-060252	10	16
26450-080852	2	52
26687-120002	15	82
26716-060002	12	87
26716-120002	12	110
26756-060002	15	70
26756-080002	4	36
26776-120002	15	71
27231-500000	1	7
27241-120000	1	8
27241-220000	4	14
27241-300000	1	9
27241-400000	4	15
27310-080001	4	20 -1

Parts No. Index

Parts No.	Fig. No.	Ref. No.
43400-500390	15	72
43400-500410	2	20
		21
		58
	10	55
	20	24
43400-500430	15	73
43400-500450	15	74
43400-500490	12	88
729120-22500	9	17
729120-22950	9	31
729400-21700	9	1
729402-01540	3	6
729402-01560	1	1
729402-11650	4	31
729402-14580	7	1
729402-22910	9	29
729402-23100	9	23
729402-92601	20	1
729412-11700	4	3
729432-51390	12	1
729503-53300	13	1
XN193653	8	38

Parts No.	Fig. No.	Ref. No.
-----------	----------	----------

Parts No.	Fig. No.	Ref. No.
-----------	----------	----------

Parts No.	Fig. No.	Ref. No.
-----------	----------	----------