

0CD10-M37801EN

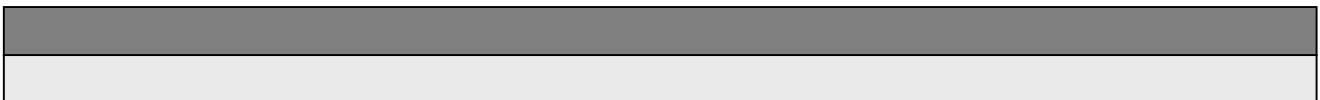
PREFACE

1. This Parts Catalog is the 1st edition of L90DEHK Diesel Engine for HOKUETSU.

Pub. No. : 000Y00D3781
Published : December, 1990

2. Model name

| Engine model | Vehicle | | Vehicle made by |
|--------------|------------|------------|-----------------|
| | Products | Model name | |
| L90DEHK | COMPRESSOR | — | HOKUETSU |



How to read this Parts Catalog.

1. Parts mentioned in Parts Catalog may not necessarily be standard equipping parts
2. Parts change may be made without prior notice.
3. Form of this Parts Catalog.

| REF. | LEV. | PARTS No. | DESCRIPTION | QTY | | | | | | I | R |
|-------|------|--------------|---------------------|-----|-----|-----|-----|-----|-----|---|---|
| | | | | (A) | (B) | (C) | (D) | (E) | (F) | | |
| 1 | | 729595-51390 | FUEL INJECTION PUMP | | 1 | 1 | 1 | 1 | | | |
| 1-1 | 1 | 729595-51391 | FUEL INJECTION PUMP | 1 | 1 | 1 | 1 | 1 | | N | 1 |
| 3 | 2 | 26022-060162 | SCREW M 6X16 | | 9 | 9 | 9 | 9 | 9 | | |
| 1 3-1 | 2 | 26022-060162 | SCREW M 6X16 | | 4 | 4 | 4 | 4 | 4 | | K |
| 4 | 2 | 129470-51040 | CAMSHFT | | 9 | 9 | 9 | 9 | 9 | | |
| 5 | 2 | 122710-51050 | BEARING. ROLLER | | 9 | 9 | 9 | 9 | 9 | | |
| 6 | 2 | 129470-51060 | RETAINER | | 9 | 9 | 9 | 9 | 9 | | |

| Remarks | |
|---------|---|
| (1) | BOOST COMPEMSATOR TYPE. OPTIONAL PART. TO E#00155 (4JH-DT, 4JH-DTZ) |

① Ref. No.

The Ref. No. in the list may not be in accordance with the Ref. No. on illustration.

(Ex.) illustration No, List heed No,

1 1 (Before change) → 1-1 (After change)

When interchangeable symbol N, and k, illustrations for the new parts are sometimes omitted.

② Lev. (Level)

Indication and Meaning of Level

Level Hereunder is given the relation among the number of number (1,2,3) the level and the nominal parent-child relationship.

1 ---- Parent parts (Assembly parts)

2 ---- Child parts included in " 1 " (Semi-Assembly parts, component parts of Assembly parts.)

3 ---- Child parts included in " 2 ", Grand-child parts in terms of " 1 ".

(Component parts of Semi-Assembly parts.)

Note) A parts of non-sale parts are illustrated but not listed.




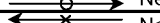
③ Change Mark

Change Mark " I " is given to the part for which a design change was made at this time.

The design change was not shown in the last published Parts Catalog.

④ Interchangeability Mark

In the case where a part change took place, one of the following interchangeability marks is indicated for that part

| Symbol | Interchangeability | Contents note |
|--------|---|--|
| N | Old ←  New | New Part is interchangeable for Old Part but not interchangeable conversely. |
| Q | Old ←  New | New Part is not interchangeable for Old Part but interchangeable conversely. |
| R | Old ←  New | New Part is interchangeable for Old Part and vice versa. |
| S | Old ←  New | New Part is not interchangeable for Old Part and vice versa. |
| W | | Part newly added. |
| Z | | Part discontinued. |
| F | | Not interchangeable single part but interchangeable by set of the related parts. |
| K | | Changed only in quantity used. |

⑤ Effective Machine No.

When a part is changed, Effective Machine No. of a Model for which the part is applicable is indication

In each column of (A)-(F).

| Product Symbol | Product No. | Product Symbol | Product No. |
|----------------|---------------------------|----------------|-------------|
| C | Clutch No, Compressor No, | M | Machine No, |
| D | Drive No, | T | Tractor No, |
| E | Engine No, | Note 1)※ | Date |

Note 1) Date may follow the symbol in some cases. (Ex.) ※1996.01

Note 2) As far as engine models shown by " XXX " are concerned, the modification of the parts could not be Predicted or the engine models themselves could not be identified.

Note 3) (A=E/#00185) means that the design change on the part has been effective for the model at the, column (A) (in the case, for 4JH-DT) on and from E/(Engine Serial Number) 00185

⑥ Remarks Mark

Figures or alphabets (Symbols) are entered in the remark column.

The comments (remarks) on the pertinent parts are indicated in the lower part of the list by the same symbols a those stated above.

Contents

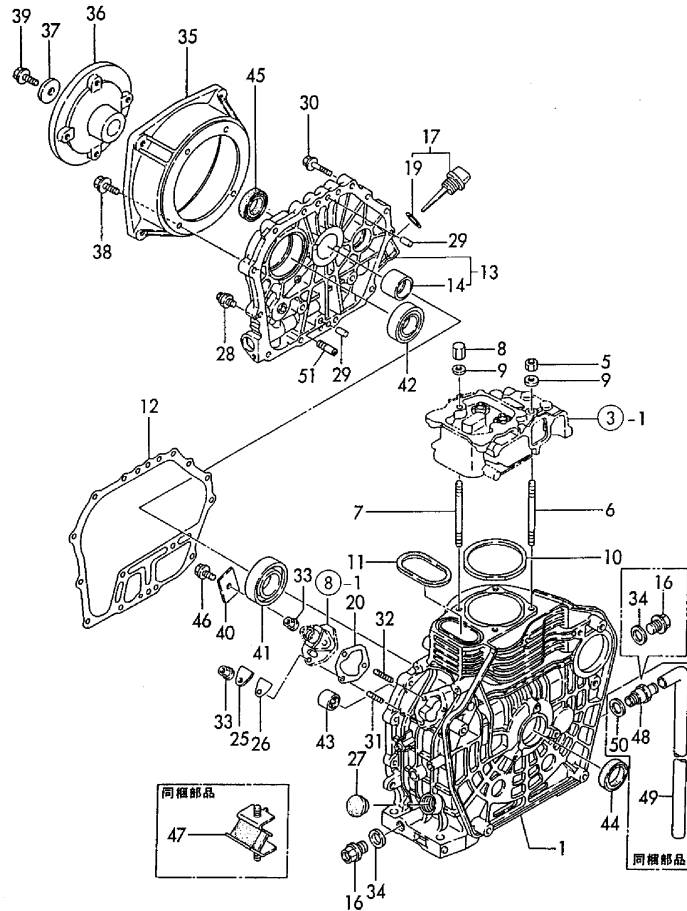
| Fig. No. | Fig. Name |
|----------|----------------------------|
| L90DEHK | |
| 1. | CYLINDER BLOCK |
| 2. | CRANK & PISTON & ROD |
| 3. | CYLINDER HEAD |
| 4. | AIR CLEANER & MUFFLER |
| 5. | LO. PUMP & GOVERNOR |
| 6. | FAN CASE & CONTROL DEVICE |
| 7. | SCROLL |
| 8. | FUEL INJECTION DEVICE |
| 9. | FUEL OIL PIPE |
| 10. | STARTING MOTOR & DYNAMO |
| 11. | TOOLS & GASKET SET (OPTION |

| Fig. No. | Fig. Name |
|----------|-----------|
|----------|-----------|

Fig.1. CYLINDER BLOCK

Fig.1 シリンダブロック
CYLINDER BLOCK

D1465H-01121
D1465H-01300
D14650-02100



(A)=L90DEHK
(B)=
(C)=

(D)=
(E)=
(F)=

| No. | Lev. | Parts No. | Description | Q'ty | | | | | | I | R |
|-----|------|--------------|----------------------|------|-----|-----|-----|-----|-----|---|---|
| | | | | (A) | (B) | (C) | (D) | (E) | (F) | | |
| 1 | 1 | 714651-01562 | BLOCK ASSY, CYLINDER | 1 | | | | | | | |
| 5 | 1 | 105025-01220 | NUT, CYLINDER HEAD | 2 | | | | | | | |
| 6 | 1 | 114650-01230 | BOLT, HEAD | 2 | | | | | | | |
| 7 | 1 | 114650-01240 | BOLT, HEAD | 2 | | | | | | | |
| 8 | 1 | 114650-01250 | NUT, CYLINDER HEAD | 2 | | | | | | | |
| 9 | 1 | 114650-01260 | WASHER | 4 | | | | | | | |
| 10 | 1 | 114650-01340 | GASKET, HEAD | 1 | | | | | | | |
| 11 | 1 | 114650-01380 | O-RING | 1 | | | | | | | |
| 12 | 1 | 114650-01412 | GASKET, CRANK CASE | 1 | | | | | | | |
| 13 | 1 | 114660-01470 | COVER, CRANK CASE | 1 | | | | | | | |
| 14 | 2 | 114650-02100 | BEARING, MAIN | 1 | | | | | | | |
| 14A | 2 | 114650-02200 | BEARING, 0.25 US | 1 | | | | | | | 1 |
| 14B | 2 | 114650-02210 | BEARING, 0.50 US | 1 | | | | | | | 1 |
| 16 | 1 | 105425-01690 | PLUG, 16 | 2 | | | | | | | |
| 17 | 1 | 160910-01740 | CAP ASSY | 1 | | | | | | | |
| 19 | 2 | 24311-000180 | O-RING, 1AP18.0 | 1 | | | | | | | |
| 20 | 1 | 114250-01800 | SHIM SET | 1 | | | | | | | |
| 25 | 1 | 114250-01830 | COVER | 1 | | | | | | | |
| 26 | 1 | 114250-01840 | GASKET | 1 | | | | | | | |
| 27 | 1 | 160110-01870 | PLUG, RUBBER | 1 | | | | | | | |
| 28 | 1 | 183250-39450 | SWITCH, 1.0KG | 1 | | | | | | | |
| 29 | 1 | 22312-080120 | PIN, PARALLEL M8X12 | 2 | | | | | | | |
| 30 | 1 | 26106-080352 | BOLT, M8X 35 PLATED | 16 | | | | | | | |
| 31 | 1 | 26226-060182 | STUD, M6X 18 | 1 | | | | | | | |
| 32 | 1 | 26226-060222 | STUD, M6X 22 | 2 | | | | | | | |
| 33 | 1 | 26366-060002 | NUT, M6 | 3 | | | | | | | |
| 34 | 1 | 43400-500490 | SEAL WASHER 16 | 2 | | | | | | | |
| 35 | 1 | 114654-01450 | COVER, CRANK CASE | 1 | | | | | | | |
| 36 | 1 | 114654-21550 | COUPLING | 1 | | | | | | | |
| 37 | 1 | 145610-83880 | RETAINER | 1 | | | | | | | |
| 38 | 1 | 26106-100252 | BOLT, M10X 25 PLATED | 4 | | | | | | | |
| 39 | 1 | 26106-100252 | BOLT, M10X 25 PLATED | 1 | | | | | | | |
| 40 | 1 | 114250-02030 | RETAINER, BEARING | 1 | | | | | | | |
| 41 | 1 | 114650-02150 | BEARING, HR6308G3C3 | 1 | | | | | | | |
| 42 | 1 | 24101-062070 | BEARING, BALL 6207C3 | 1 | | | | | | | |
| 43 | 1 | 24162-152112 | BEARING, 152112 | 1 | | | | | | | |
| 44 | 1 | 24423-355008 | SEAL, OIL TC355008 | 1 | | | | | | | |
| 45 | 1 | 24423-355008 | SEAL, OIL TC355008 | 1 | | | | | | | |
| 46 | 1 | 26106-080122 | BOLT, M8X 12 PLATED | 1 | | | | | | | |
| 47 | 1 | 183279-08210 | DAMPER | 2 | | | | | | | |
| 48 | 1 | 183366-08351 | NIPPLE, DRAIN | 1 | | | | | | | |
| 49 | 1 | 114654-59350 | PIPE, DRAIN | 1 | | | | | | | |
| 50 | 1 | 43400-500490 | SEAL WASHER 16 | 1 | | | | | | | |
| 51 | 1 | 114250-35150 | PIPE, OIL INLET | 1 | | | | | | | W |

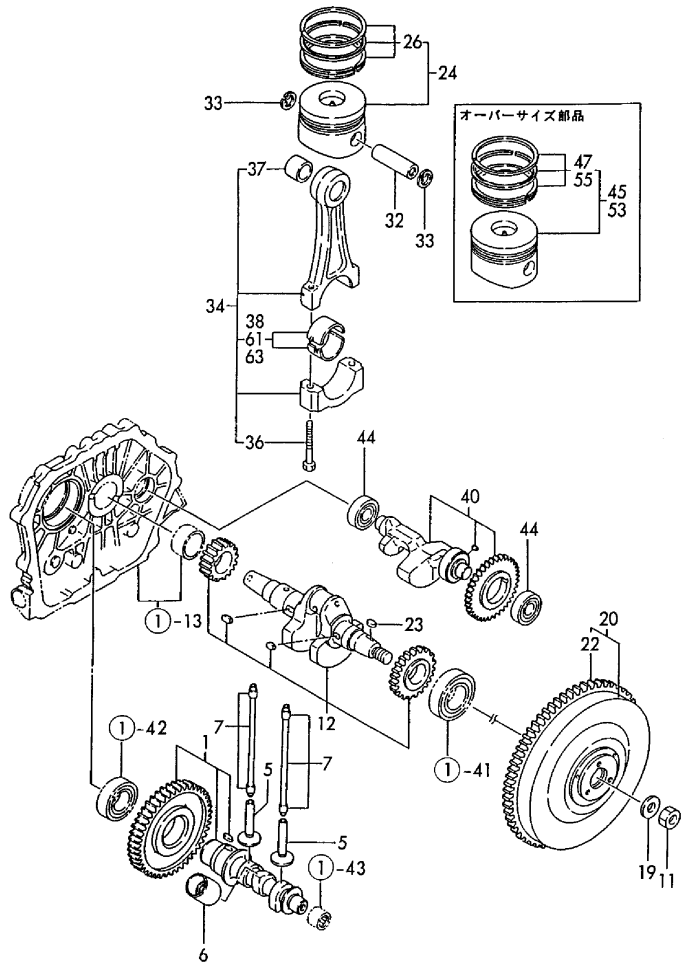
(A)="FROM 1ST"

Remarks

(1) UNDER-SIZED PART.(OPTIONAL)

Fig.2. CRANK & PISTON & ROD

Fig. 2 クランクシャフト、ピストン & カムシャフト
CRANKSHAFT, PISTON & CAMSHAFT



- D14650-14112
- D14650-21110
- D14650-22100
- D14650-23100
- D14650-28100
- D14650-99100

(A)=L90DEHK
 (B)=
 (C)=

(D)=
 (E)=
 (F)=

| No. | Lev. | Parts No. | Description | Q'ty | | | | | | I | R |
|--------------|------|--------------|----------------------|------|-----|-----|-----|-----|-----|---|---|
| | | | | (A) | (B) | (C) | (D) | (E) | (F) | | |
| 1 | 1 | 714660-14581 | CAMSHAFT ASSY | 1 | | | | | | | |
| 1-1 | 1 | 714660-14582 | CAMSHAFT ASSY | 1 | | | | | | | N |
| (A=E04015) | | | | | | | | | | | |
| 5 | 1 | 114650-14200 | TAPPET | 2 | | | | | | | |
| 6 | 1 | 114250-14260 | TAPPET | 1 | | | | | | | |
| 7 | 1 | 114650-14401 | ROD ASSY, PUSH | 2 | | | | | | | |
| 11 | 1 | 122710-01220 | NUT, CYLINDER HEAD | 1 | | | | | | | |
| 12 | 1 | 714661-21702 | CRANKSHAFT ASSY | 1 | | | | | | | |
| 19 | 1 | 114650-21551 | WASHER | 1 | | | | | | | |
| 20 | 1 | 114662-21690 | FLYWHEEL ASSY | 1 | | | | | | | |
| 20-1 | 1 | 114662-21691 | FLYWHEEL ASSY | 1 | | | | | | | N |
| (A=E03878) | | | | | | | | | | | |
| 22 | 2 | 114662-21601 | GEAR, RING | 1 | | | | | | | |
| 23 | 1 | 22512-050140 | KEY, 5X 14 | 1 | | | | | | | |
| 24 | 1 | 714660-22723 | PISTON ASSY, D | 1 | | | | | | | |
| 26 | 2 | 714650-22502 | RING SET, PISTON | 1 | | | | | | | |
| 32 | 1 | 114650-22300 | PIN, PISTON D=23 | 1 | | | | | | | |
| 33 | 1 | 129792-22400 | CIRCLIP, 23 | 2 | | | | | | | |
| 34 | 1 | 714650-23700 | ROD ASSY, CONNECTING | 1 | | | | | | | |
| 36 | 2 | 104200-23201 | BOLT, CONNECTING ROD | 2 | | | | | | | |
| 37 | 2 | 124060-23100 | BEARING, PISTON PIN | 1 | | | | | | | |
| 38 | 2 | 714650-23600 | BEARING, CRANK PIN | 1 | | | | | | | |
| 40 | 1 | 714650-28510 | SHAFT ASSY, BALANCER | 1 | | | | | | | |
| 44 | 1 | 24101-062034 | BEARING, BALL 6203 | 2 | | | | | | | |
| 45 | 1 | 714660-22623 | PISTON ASSY, 0.25 OS | 1 | | | | | | | 1 |
| 45-1 | 1 | 714660-22624 | PISTON ASSY, 0.25 OS | 1 | | | | | | | R |
| (A=FROM 1ST) | | | | | | | | | | | |
| 47 | 2 | 714650-22542 | RING SET, 0.25 OS | 1 | | | | | | | 1 |
| 53 | 1 | 714660-22580 | PISTON ASSY, 0.50 OS | 1 | | | | | | | 1 |
| 55 | 2 | 714650-22550 | RING SET, 0.50 OS | 1 | | | | | | | 1 |
| 61 | 1 | 714650-23610 | BEARING ASSY, 0.25 | 1 | | | | | | | 2 |
| 63 | 1 | 714650-23620 | BEARING, 0.50 US | 1 | | | | | | | 2 |

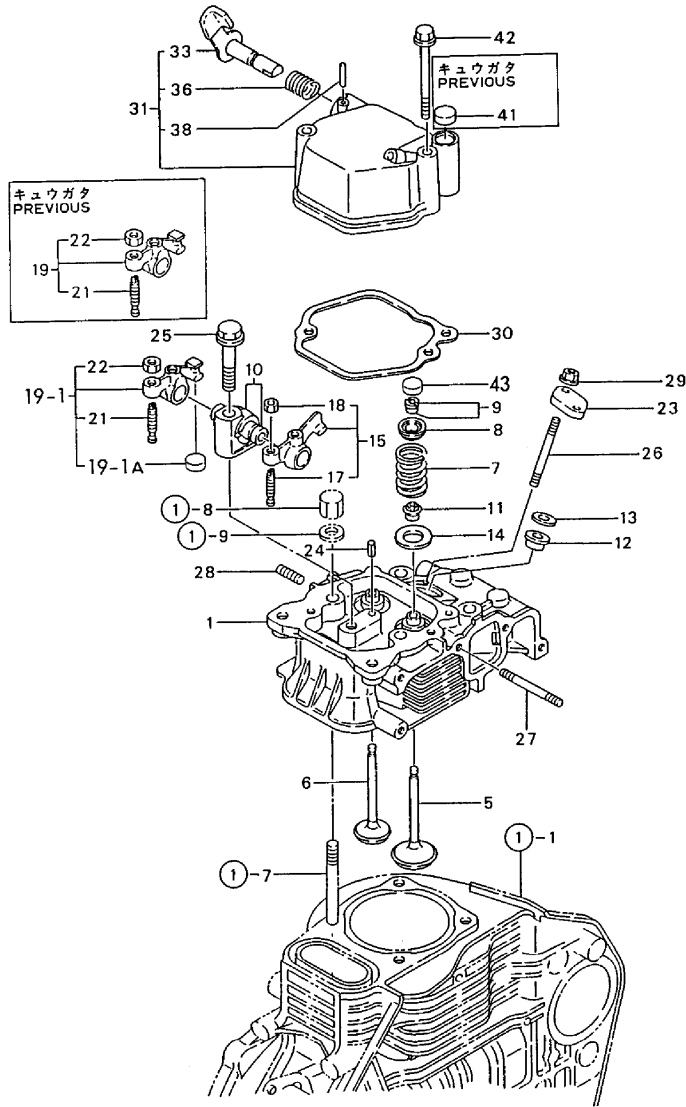
Remarks

- (1) OVER-SIZED PART.
- (2) UNDER-SIZED PART.

Fig.3. CYLINDER HEAD

Fig.3 シリンダヘッド&ボンネット
CYLINDER HEAD & BONNET

D 14650-11100
D 14652-11210



(A)=L90DEHK
(B)=
(C)=

(D)=
(E)=
(F)=

| No. | Lev. | Parts No. | Description | Qty | | | | | | I | R |
|-------|------|----------------------------|-----------------------|-----|-----|-----|-----|-----|-----|---|---|
| | | | | (A) | (B) | (C) | (D) | (E) | (F) | | |
| 1 | 1 | 114650-11010 | HEAD ASSY, CYLINDER | 1 | | | | | | | |
| 5 | 1 | 114650-11100 | VALVE, INTAKE | 1 | | | | | | | |
| 6 | 1 | 114650-11110 | VALVE, EXHAUST | 1 | | | | | | | |
| 6-1 | 1 | 114654-11110 (A=E08306) | VALVE, EXHAUST | 1 | | | | | | | N |
| 7 | 1 | 114650-11121 | SPRING, VALVE | 2 | | | | | | | |
| 8 | 1 | 119620-11180 | RETAINER, SPRING | 2 | | | | | | | |
| 9 | 1 | 101158-11190 | COTTER | 4 | | | | | | | |
| 10 | 1 | 114650-11261 | SUPPORT, ROCKER ARM | 1 | | | | | | | |
| 11 | 1 | 114650-11340 | SEAL, VALVE STEM | 2 | | | | | | | |
| 12 | 1 | 114250-11460 | GASKET, NOZZLE | 1 | | | | | | | |
| 13 | 1 | 114350-11470 | SPACER, NOZZLE | 1 | | | | | | | |
| 14 | 1 | 114650-11600 | WASHER | 2 | | | | | | | |
| 15 | 1 | 114650-11652 | ARM, ROCKER | 1 | | | | | | | |
| 17 | 2 | 114250-11240 | SCREW, VALVE ADJUST | 1 | | | | | | | |
| 18 | 2 | 26756-060002 | NUT, LOCK M6 | 1 | | | | | | | |
| 19 | 1 | 114650-11662 | ARM, ROCKER | 1 | | | | | | | |
| 19-1 | 1 | 714670-11660 (A=E10176) | ARM ASSY, ROCKER | 1 | | | | | | | N |
| 19-1A | 2 | 104211-11370 (A=E10176) | CAP, VALVE | 1 | | | | | | | W |
| 21 | 3 | 114250-11240 | SCREW, VALVE ADJUST | 1 | | | | | | | |
| 22 | 3 | 26756-060002 | NUT, LOCK M6 | 1 | | | | | | | |
| 23 | 1 | 114250-11900 | RETAINER, NOZZLE | 1 | | | | | | | |
| 24 | 1 | 22351-040008 | PIN, SPRING 4.0X 8 | 1 | | | | | | | |
| 25 | 1 | 26106-100552 | BOLT, M10X 55 PLATED | 1 | | | | | | | |
| 26 | 1 | 26226-060502 | STUD, M6X 50 | 2 | | | | | | | |
| 27 | 1 | 26226-060752 | STUD, M6X 75 | 2 | | | | | | | |
| 28 | 1 | 26226-080182 | STUD, M8X 18 | 2 | | | | | | | |
| 28-1 | 1 | 26226-080202 | STUD, M8X 20 | 2 | | | | | | | R |
| 29 | 1 | 26366-060002 (A=E03878) | NUT, M6 | 2 | | | | | | | |
| 30 | 1 | 114650-11310 | GASKET, BONNET | 1 | | | | | | | |
| 31 | 1 | 114650-11950 | BONNET ASSY, HEAD | 1 | | | | | | | |
| 31-1 | 1 | 114650-11951 (A=E11617) | BONNET ASSY, HEAD | 1 | | | | | | | N |
| 33 | 2 | 114250-03591 | LEVER ASSY | 1 | | | | | | | |
| 36 | 2 | 114250-03640 | SPRING, DECOMPRESSION | 1 | | | | | | | |
| 38 | 2 | 22312-030160 | PIN, PARALLEL M3X16 | 1 | | | | | | | |
| 41 | 1 | 129100-61850 (A=E11617) | PLUG, 12 | 1 | | | | | | | Z |
| 42 | 1 | 26106-060702 | BOLT, M6X 70 PLATED | 2 | | | | | | | |
| 43 | 1 | 104211-11370 (A=E10176) | CAP, VALVE | 1 | | | | | | | W |

Fig.4. AIR CLEANER & MUFFLER

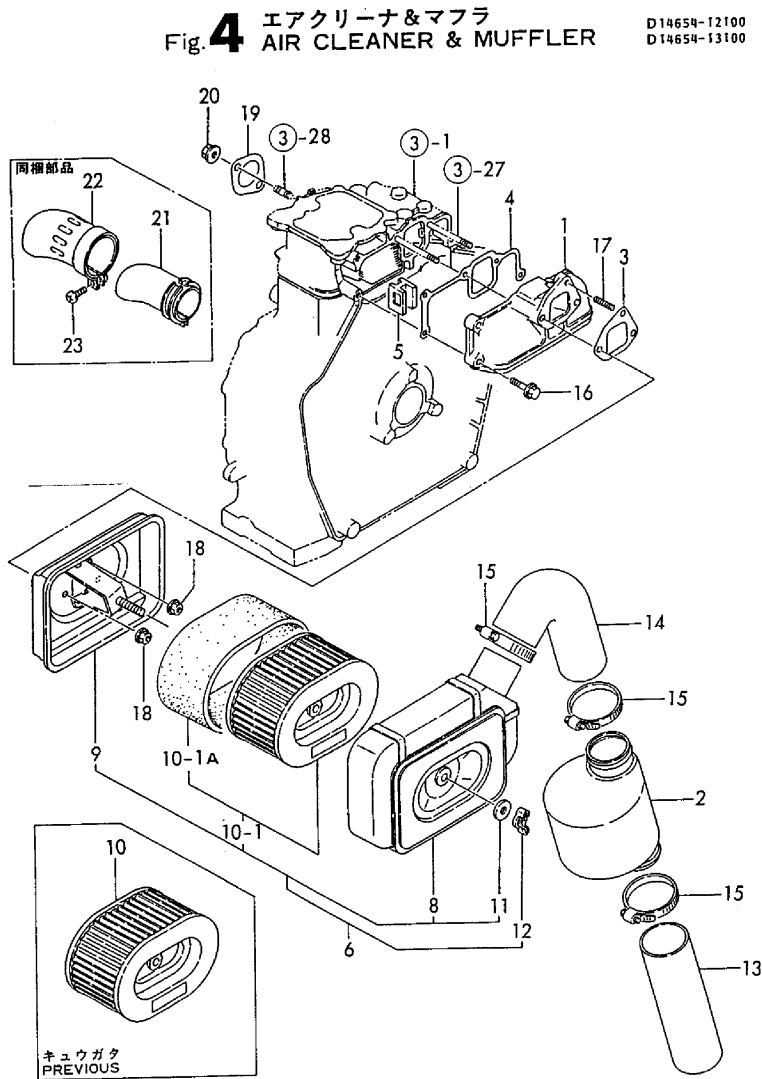


Fig.4 エアクリーナ&マフラ
AIR CLEANER & MUFFLER

D14654-12100
D14654-13100

(A)=L90DEHK
(B)=
(C)=

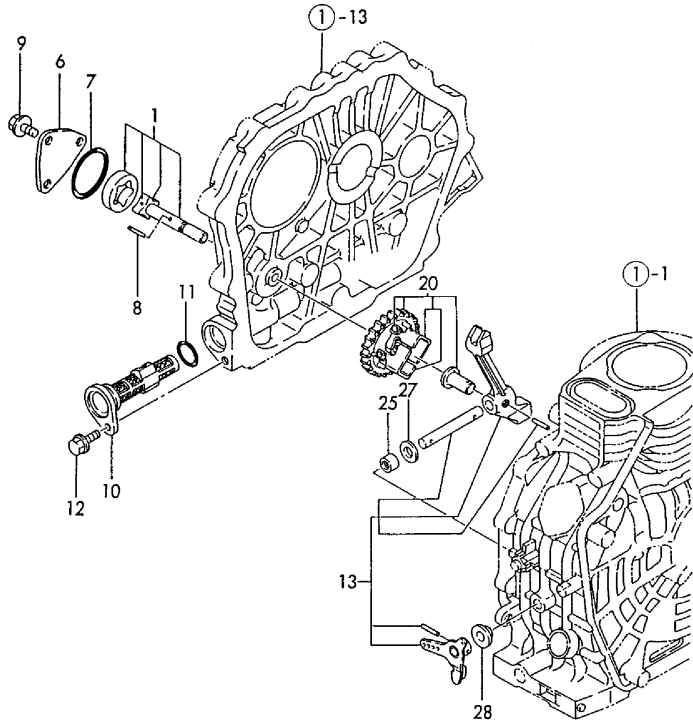
(D)=
(E)=
(F)=

| No. | Lev. | Parts No. | Description | Q'ty | | | | | | I | R |
|------------|------|--------------|---------------------|------|-----|-----|-----|-----|-----|---|---|
| | | | | (A) | (B) | (C) | (D) | (E) | (F) | | |
| 1 | 1 | 114650-12020 | PIPE, AIR INTAKE | 1 | | | | | | | |
| 2 | 1 | 121855-12060 | SILENCER ASSY | 1 | | | | | | | |
| 3 | 1 | 114650-12210 | GASKET, AIR CLEANER | 1 | | | | | | | |
| 4 | 1 | 114650-12300 | GASKET | 1 | | | | | | | |
| 5 | 1 | 114650-12350 | GROMMET | 1 | | | | | | | |
| 6 | 1 | 783671-12560 | CLEANER ASSY, AIR | 1 | | | | | | | |
| 8 | 3 | 183671-12520 | COVER ASSY, CLEANER | 1 | | | | | | | |
| 9 | 3 | 114650-12530 | CASE ASSY, CLEANER | 1 | | | | | | | |
| 10 | 3 | 114650-12540 | ELEMENT | 1 | | | | | | | |
| 10-1 | 3 | 114650-12590 | ELEMENT ASSY | 1 | | | | | | | N |
| (A=E03225) | | | | | | | | | | | |
| 10-1A | 4 | 114650-12550 | FILTER, PRE | 1 | | | | | | | W |
| (A=E03225) | | | | | | | | | | | |
| 11 | 3 | 114252-12560 | WASHER, SEAL M8 | 1 | | | | | | | |
| 12 | 2 | 114252-12550 | NUT, WING M8 | 1 | | | | | | | |
| 13 | 1 | 114654-12580 | HOSE | 1 | | | | | | | |
| 14 | 1 | 114654-12590 | HOSE | 1 | | | | | | | |
| 15 | 1 | 23000-060000 | CLAMP, 60 | 3 | | | | | | | |
| 16 | 1 | 26106-060252 | BOLT, M6X 25 PLATED | 3 | | | | | | | |
| 17 | 1 | 26226-060142 | STUD, M6X 14 | 1 | | | | | | | |
| 18 | 1 | 26366-060002 | NUT, M6 | 3 | | | | | | | |
| 19 | 1 | 183671-13210 | GASKET | 3 | | | | | | | |
| 20 | 1 | 26366-080002 | NUT, M8 | 2 | | | | | | | |
| 21 | 1 | 105370-13570 | PIPE | 1 | | | | | | | |
| 22 | 1 | 105212-13590 | COVER | 1 | | | | | | | |
| 23 | 1 | 26554-060162 | SCREW, M6X16 | 1 | | | | | | | |

Fig.5. LO. PUMP & GOVERNOR

Fig.5 LOポンプ&ガバナ
LUB. OIL & GOVERNOR

D14650-32100
D14250-35110
D14654-61100



(A)=L90DEHK
(B)=
(C)=

(D)=
(E)=
(F)=

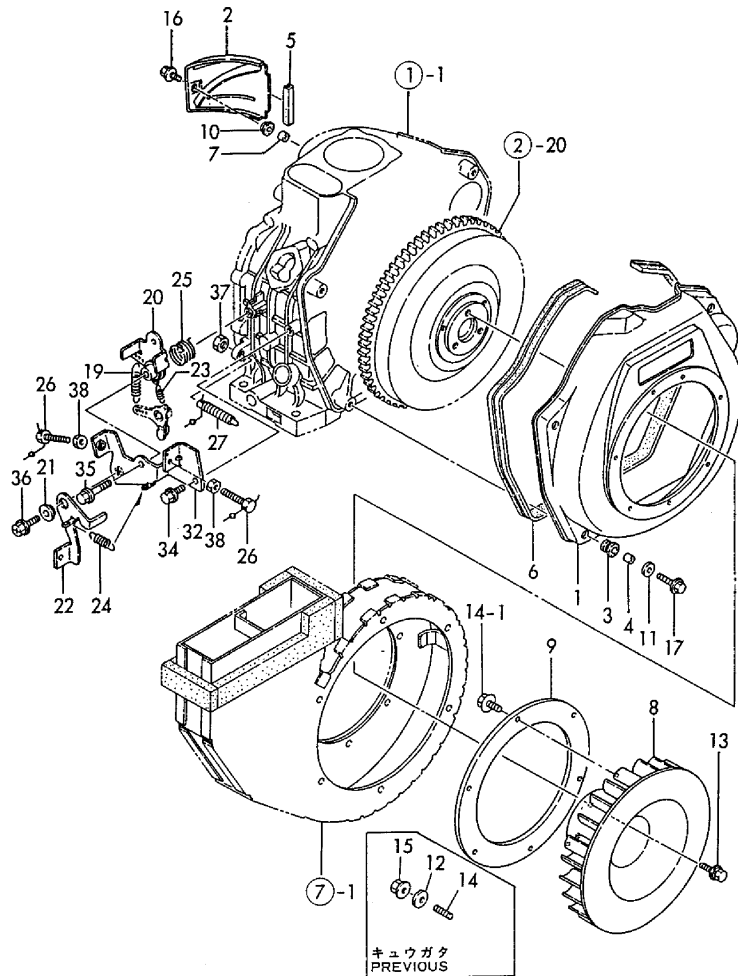
| No. | Lev. | Parts No. | Description | Qty | | | | | | I | R |
|-----|------|--------------|----------------------|-----|-----|-----|-----|-----|-----|---|---|
| | | | | (A) | (B) | (C) | (D) | (E) | (F) | | |
| 1 | 1 | 114650-32010 | PUMP ASSY, OIL | 1 | | | | | | | |
| 6 | 1 | 114250-32070 | COVER | 1 | | | | | | | |
| 7 | 1 | 103338-32570 | O-RING | 1 | | | | | | | |
| 8 | 1 | 22312-030160 | PIN, PARALLEL M3X16 | 1 | | | | | | | |
| 9 | 1 | 26476-060142 | SCREW, TAPPING M6X14 | 3 | | | | | | | |
| 10 | 1 | 114250-35070 | FILTER, OIL | 1 | | | | | | | |
| 11 | 1 | 24341-000224 | O-RING, 1AS22.4 | 1 | | | | | | | |
| 12 | 1 | 26106-060162 | BOLT, M6X 16 PLATED | 1 | | | | | | | |
| 13 | 1 | 714650-61500 | LEVER ASSY, GOVERNOR | 1 | | | | | | | |
| 20 | 1 | 714654-61700 | GOVERNOR ASSY | 1 | | | | | | | |
| 25 | 1 | 121450-61520 | BEARING, NEEDLE 8 | 2 | | | | | | | |
| 27 | 1 | 22137-080000 | WASHER, 8 | 1 | | | | | | | |
| 28 | 1 | 114250-61900 | BUSH | 1 | | | | | | | 1 |

Remarks
(1) REPAIR PART.

Fig.6. FAN CASE & CONTROL DEVICE

Fig.6 レイキャク&ソウジュウソウチ
COOLING & REMOTE CONTROL DEVICE

D14660-45110
D14654-66100



(A)=L90DEHK
(B)=
(C)=

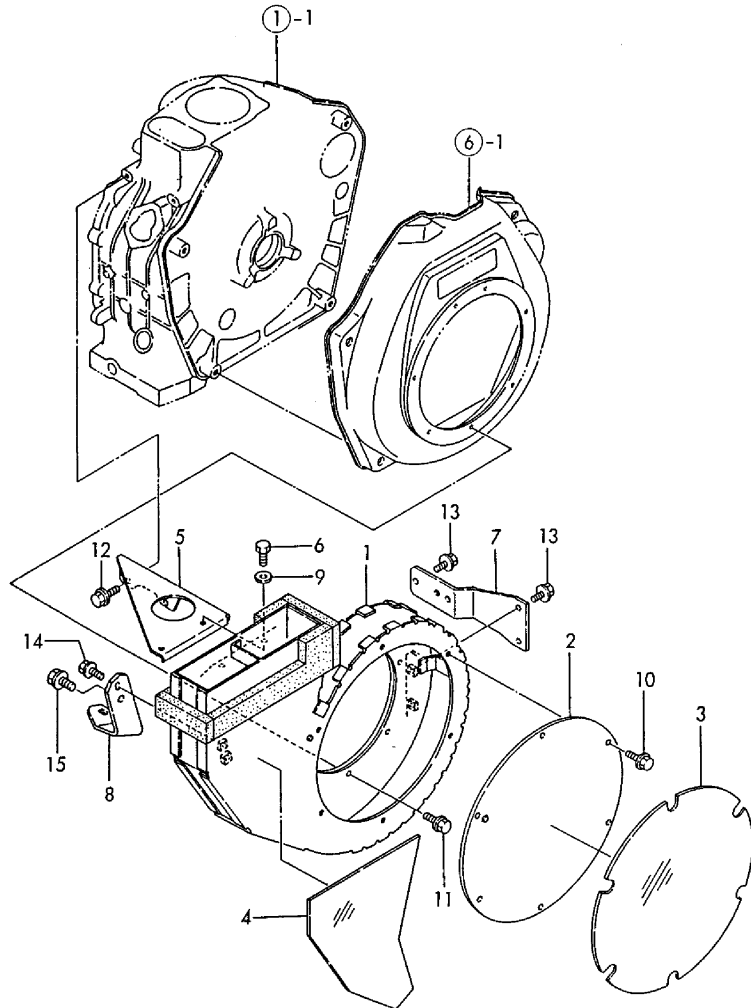
(D)=
(E)=
(F)=

| No. | Lev. | Parts No. | Description | Qty | | | | | | I | R |
|------------|------|--------------|----------------------|-----|-----|-----|-----|-----|-----|---|---|
| | | | | (A) | (B) | (C) | (D) | (E) | (F) | | |
| 1 | 1 | 114660-45110 | CASE, COOLING FAN | 1 | | | | | | | |
| 2 | 1 | 114650-45200 | COVER | 1 | | | | | | | |
| 3 | 1 | 114250-45300 | ABSORBER | 4 | | | | | | | |
| 4 | 1 | 114250-45310 | COLLAR | 4 | | | | | | | |
| 5 | 1 | 114350-45320 | RUBBER, SEAL | 1 | | | | | | | |
| 6 | 1 | 114666-45330 | SEAL, FAN CASE L=420 | 2 | | | | | | | |
| 7 | 1 | 114350-45340 | COLLAR | 1 | | | | | | | |
| 8 | 1 | 114660-45400 | FAN, COOLING | 1 | | | | | | | |
| 9 | 1 | 114660-45450 | COVER | 1 | | | | | | | |
| 10 | 1 | 183720-55210 | GROMMET | 1 | | | | | | | |
| 11 | 1 | 160120-76940 | WASHER | 4 | | | | | | | |
| 12 | 1 | 160120-76940 | WASHER | 6 | | | | | | | Z |
| (A=E05321) | | | | | | | | | | | |
| 13 | 1 | 26014-080252 | BOLT, M8X 25 | 3 | | | | | | | |
| 14 | 1 | 26216-060122 | STUD, M6X 12 | 6 | | | | | | | |
| 14-1 | 1 | 26106-060122 | BOLT, M6X 12 PLATED | 6 | | | | | | | N |
| (A=E05321) | | | | | | | | | | | |
| 15 | 1 | 26367-060002 | NUT, M6 | 6 | | | | | | | Z |
| (A=E05321) | | | | | | | | | | | |
| 16 | 1 | 26476-060202 | SCREW, TAPPING M6X20 | 1 | | | | | | | |
| 17 | 1 | 26476-060252 | SCREW, TAPPING M6X25 | 4 | | | | | | | |
| 19 | 1 | 114650-66011 | SPRING, REGULATOR | 1 | | | | | | | |
| 20 | 1 | 114650-66051 | LEVER, REGULATOR | 1 | | | | | | | |
| 21 | 1 | 114654-66140 | PIECE | 1 | | | | | | | |
| 22 | 1 | 114650-66150 | LEVER, STOP | 1 | | | | | | | |
| 23 | 1 | 114250-66200 | SPRING, RETURN | 1 | | | | | | | |
| 24 | 1 | 114268-66200 | SPRING, RETURN | 1 | | | | | | | |
| 25 | 1 | 114252-66252 | SPRING, RETURN | 1 | | | | | | | |
| 26 | 1 | 114250-66440 | BOLT, ADJUSTING | 2 | | | | | | | |
| 27 | 1 | 114650-66500 | LIMITER ASSY, FUEL | 1 | | | | | | | |
| 32 | 1 | 114652-66891 | BRACKET | 1 | | | | | | | |
| 34 | 1 | 26106-060122 | BOLT, M6X 12 PLATED | 1 | | | | | | | |
| 35 | 1 | 26106-060302 | BOLT, M6X 30 PLATED | 1 | | | | | | | |
| 36 | 1 | 26476-060202 | SCREW, TAPPING M6X20 | 1 | | | | | | | |
| 37 | 1 | 26696-100002 | NUT, LOCK M10 | 1 | | | | | | | |
| 38 | 1 | 26757-060002 | NUT, LOCK M6 | 2 | | | | | | | |

Fig.7. SCROLL

Fig.7 スクロール
SCROLL

D 14654-45200



(A)=L90DEHK
(B)=
(C)=

(D)=
(E)=
(F)=

| No. | Lev. | Parts No. | Description | Q'ty | | | | | | I | R |
|------------|------|--------------|---------------------|------|-----|-----|-----|-----|-----|---|---|
| | | | | (A) | (B) | (C) | (D) | (E) | (F) | | |
| 1 | 1 | 114654-45300 | SCROLL | 1 | | | | | | | |
| 1-1 | 1 | 114654-45301 | SCROLL | 1 | | | | | | | N |
| (A=E04537) | | | | | | | | | | | |
| 2 | 1 | 183671-45310 | COVER ASSY | 1 | | | | | | | |
| 3 | 1 | 183671-45330 | ISOLATOR | 1 | | | | | | | |
| 4 | 1 | 114654-45341 | ISOLATOR | 1 | | | | | | | |
| 5 | 1 | 114654-45460 | STAY, SCROLL | 1 | | | | | | | |
| 6 | 1 | 114654-45470 | BOLT, 10.9 6X16 | 2 | | | | | | | |
| 7 | 1 | 183671-45480 | STAY | 1 | | | | | | | |
| 8 | 1 | 114654-45500 | STAY, SCROLL | 1 | | | | | | | |
| 9 | 1 | 22121-060000 | WASHER 6 | 2 | | | | | | | |
| 10 | 1 | 26106-060082 | BOLT, M6X 8 PLATED | 6 | | | | | | | |
| 11 | 1 | 26106-060122 | BOLT, M6X 12 PLATED | 7 | | | | | | | |
| 12 | 1 | 26106-060122 | BOLT, M6X 12 PLATED | 2 | | | | | | | |
| 13 | 1 | 26106-060122 | BOLT, M6X 12 PLATED | 4 | | | | | | | |
| 14 | 1 | 26106-060122 | BOLT, M6X 12 PLATED | 1 | | | | | | | |
| 14-1 | 1 | 26106-060162 | BOLT, M6X 16 PLATED | 1 | | | | | | | N |
| (A=E03225) | | | | | | | | | | | |
| 15 | 1 | 26106-080162 | BOLT, M8X 16 PLATED | 1 | | | | | | | |

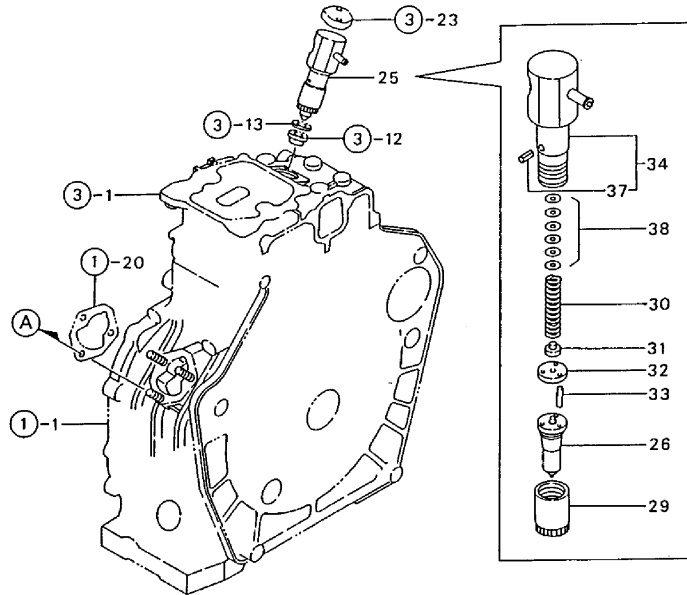
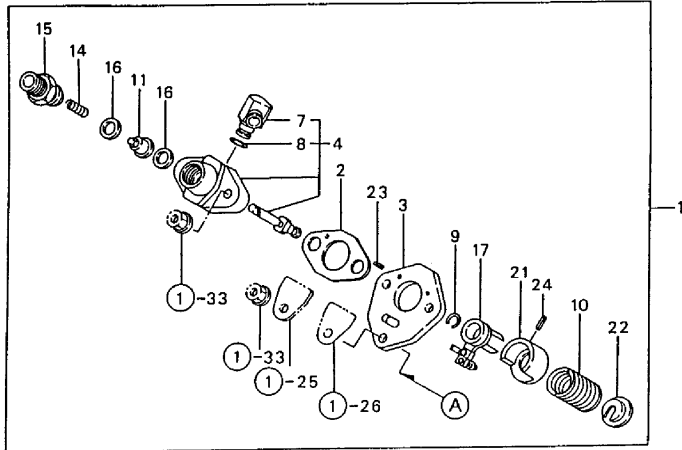
Fig.8. FUEL INJECTION DEVICE

(A)=L90DEHK
(B)=
(C)=

(D)=
(E)=
(F)=

Fig. 8 FOファンシャポンプ&FOファンシャベン
FUEL INJECTION PUMP& FUEL INJECTION VALVE

D83650-51100
D14650-53100

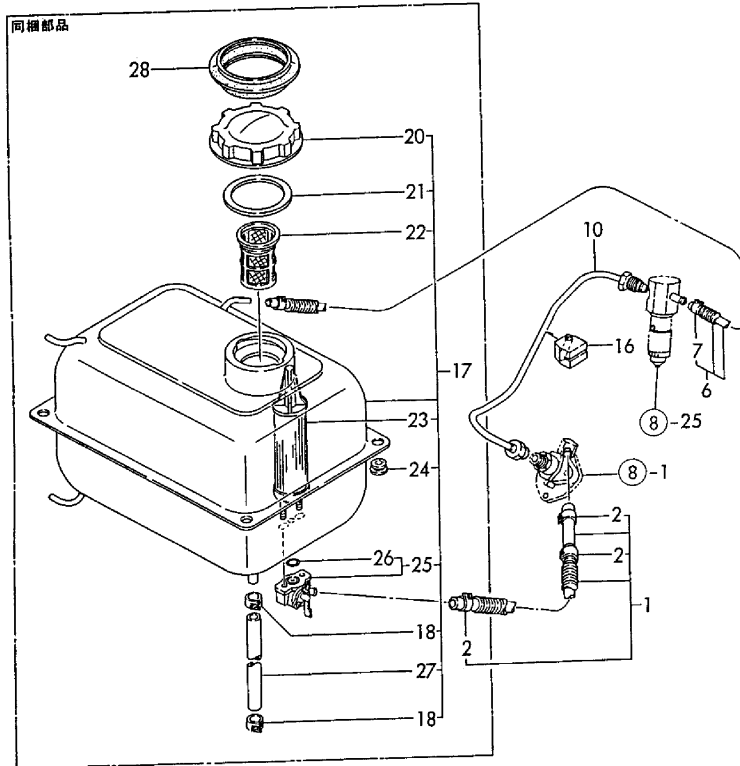


| No. | Lev. | Parts No. | Description | Q'ty | | | | | | I | R |
|-----|------|--------------|-----------------------|------|-----|-----|-----|-----|-----|---|---|
| | | | | (A) | (B) | (C) | (D) | (E) | (F) | | |
| 1 | 1 | 783650-51700 | PUMP ASSY, INJECTION | 1 | | | | | | | |
| 2 | 2 | 105546-51020 | GASKET | 1 | | | | | | | |
| 3 | 2 | 114250-51080 | PLATE | 1 | | | | | | | |
| 4 | 2 | 183650-51100 | BODY ASSY, PUMP | 1 | | | | | | | |
| 7 | 3 | 114250-51180 | JOINT, PIPE | 1 | | | | | | | |
| 8 | 3 | 114250-51190 | O-RING, S27 | 1 | | | | | | | |
| 9 | 2 | 114250-51150 | RING, SNAP | 1 | | | | | | | |
| 10 | 2 | 114250-51160 | SPRING, PLUNGER | 1 | | | | | | | |
| 11 | 2 | 114650-51300 | VALVE ASSY, DELIVERY | 1 | | | | | | | |
| 14 | 2 | 105546-51330 | SPRING, DELIVERY | 1 | | | | | | | |
| 15 | 2 | 114250-51340 | HOLDER, DELIVERY | 1 | | | | | | | |
| 16 | 2 | 124550-51350 | GASKET, DELIVERY | 2 | | | | | | | |
| 17 | 2 | 114250-51600 | LEVER ASSY, CONTROL | 1 | | | | | | | |
| 21 | 2 | 114250-51640 | SEAT, SPRING A | 1 | | | | | | | |
| 22 | 2 | 114250-51650 | SEAT, SPRING B | 1 | | | | | | | |
| 23 | 2 | 22351-020006 | PIN, SPRING 2.0X 6 | 2 | | | | | | | |
| 24 | 2 | 22351-030008 | PIN, SPRING 3.0X 8 | 1 | | | | | | | |
| 25 | 1 | 714650-53100 | VALVE ASSY, INJECTION | 1 | | | | | | | |
| 26 | 2 | 114650-53000 | VALVE ASSY, INJECTION | 1 | | | | | | | |
| 29 | 2 | 114250-53080 | NUT, NOZZLE D16.95 | 1 | | | | | | | |
| 30 | 2 | 114250-53120 | SPRING, NOZZLE | 1 | | | | | | | |
| 31 | 2 | 114250-53130 | SEAT, SPRING | 1 | | | | | | | |
| 32 | 2 | 114250-53140 | PLATE | 1 | | | | | | | |
| 33 | 2 | 114250-53210 | PIN | 2 | | | | | | | |
| 34 | 2 | 114650-53300 | HOLDER ASSY, NOZZLE | 1 | | | | | | | |
| 37 | 3 | 114250-53331 | PIN | 1 | | | | | | | |
| 38 | 2 | 114250-53400 | SHIM SET | 1 | | | | | | | |

Fig.9. FUEL OIL PIPE

Fig.9 FOパイプ
FUEL LINE

D 14654-59100



(A)=L90DEHK
(B)=
(C)=

(D)=
(E)=
(F)=

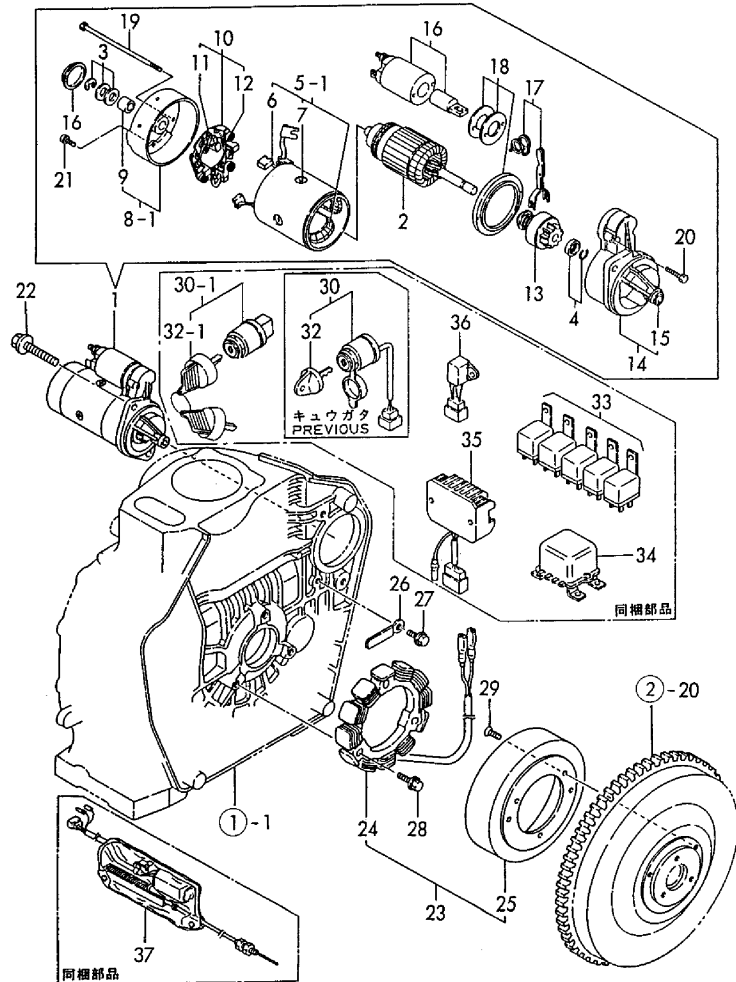
| No. | Lev. | Parts No. | Description | Qty | | | | | | I | R |
|------------|------|--------------|----------------------|-----|-----|-----|-----|-----|-----|---|---|
| | | | | (A) | (B) | (C) | (D) | (E) | (F) | | |
| 1 | 1 | 114654-59010 | PIPE ASSY, FUEL | 1 | | | | | | | |
| 2 | 2 | 106990-44660 | CLIP, HOSE 12.5 | 3 | | | | | | | |
| 6 | 1 | 114654-59100 | PIPE ASSY, FUEL | 1 | | | | | | | |
| 7 | 2 | 124722-59050 | CLIP, HOSE 9 | 2 | | | | | | | |
| 7-1 | 2 | 124722-59050 | CLIP, HOSE 9 | 1 | | | | | | | K |
| (A=E03225) | | | | | | | | | | | |
| 10 | 1 | 114650-59800 | PIPE ASSY, INJECTION | 1 | | | | | | | |
| 16 | 1 | 114650-59850 | SUPPORT | 1 | | | | | | | |
| 17 | 1 | 114654-55100 | TANK ASSY, FUEL | 1 | | | | | | | |
| 18 | 2 | 106990-44660 | CLIP, HOSE 12.5 | 2 | | | | | | | |
| 20 | 2 | 105302-55040 | CAP, FUEL TANK | 1 | | | | | | | |
| 21 | 2 | 101504-55051 | GASKET | 1 | | | | | | | |
| 22 | 2 | 160710-55100 | FILTER, FUEL | 1 | | | | | | | |
| 23 | 2 | 183366-55120 | FILTER, FUEL | 1 | | | | | | | |
| 24 | 2 | 183720-55210 | GROMMET | 4 | | | | | | | |
| 25 | 2 | 183250-55320 | COCK ASSY, FUEL | 1 | | | | | | | |
| 26 | 3 | 24311-000150 | O-RING, 1AP15.0 | 1 | | | | | | | |
| 26-1 | 3 | 24341-000150 | O-RING, 1AS15.0 | 1 | | | | | | | R |
| (A=E03225) | | | | | | | | | | | |
| 27 | 2 | 114654-59330 | PIPE, DRAIN | 1 | | | | | | | |
| 28 | 1 | 183366-55210 | GROMMET | 1 | | | | | | | |

Fig.10. STARTING MOTOR & DYNAMO

Fig. 10 スターターモーター & ダイナモ
STARTING MOTOR & DYNAMO

発行No.000Y00D3781-1
更新年月: 2005.05
REVISED: May, 2005

D14362-77120
D14351-78350



(A)=L90DEHK
(B)=
(C)=

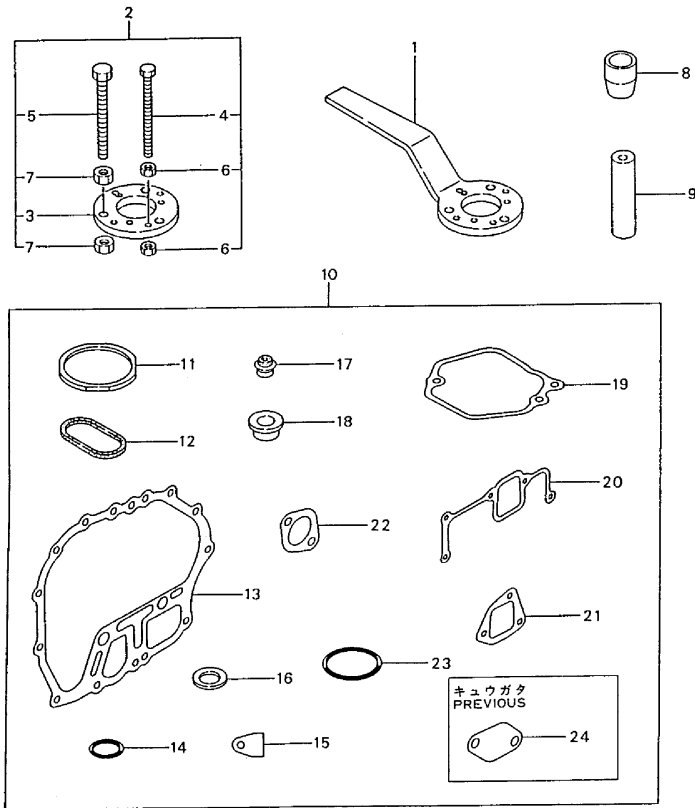
(D)=
(E)=
(F)=

| No. | Lev. | Parts No. | Description | Q'ty | | | | | | I | R |
|------|------|--------------|----------------------|------|-----|-----|-----|-----|-----|---|---|
| | | | | (A) | (B) | (C) | (D) | (E) | (F) | | |
| 1 | 1 | 114362-77010 | STARTER, S114-414A | 1 | | | | | | | |
| 2 | 2 | X211461104 | ARMATURE | 1 | | | | | | | |
| 3 | 2 | X21148110 | WASHER SET, THRUST | 1 | | | | | | | |
| 4 | 2 | X21147155 | STOPPER SET, PINION | 1 | | | | | | | |
| 5-1 | 2 | X211492108 | COIL ASSY, FIELD | 1 | | | | | | | |
| 6 | 3 | X21145312 | BRUSH, + | 2 | | | | | | | |
| 7 | 3 | X21143215 | SCREW, CORE | 4 | | | | | | | |
| 8-1 | 2 | X211473008 | COVER, REAR | 1 | | | | | | | |
| 9 | 3 | X21145352 | METAL | 1 | | | | | | | |
| 10 | 2 | X211489001 | HOLDER ASSY, BRUSH | 1 | | | | | | | |
| 11 | 3 | X21148313 | BRUSH (-) | 1 | | | | | | | |
| 12 | 3 | X21149314 | SPRING, BRUSH | 3 | | | | | | | |
| 13 | 2 | X211445508 | PINION ASSY | 1 | | | | | | | |
| 14 | 2 | X211416603 | HOUSING ASSY, GEAR | 1 | | | | | | | |
| 15 | 3 | X21145352 | METAL | 1 | | | | | | | |
| 16 | 2 | X211478006 | COVER KIT | 1 | | | | | | | |
| 17 | 2 | X211456013 | LEVER KIT SHIFT | 1 | | | | | | | |
| 18 | 2 | X211427501 | SWITCH, MAGNETIC | 1 | | | | | | | |
| 19 | 2 | X211468005 | BOLT, THROUGH | 2 | | | | | | | |
| 20 | 2 | X21145867 | BOLT, M6 | 2 | | | | | | | |
| 21 | 2 | X21142835 | SCREW SET | 1 | | | | | | | |
| 22 | 1 | 26106-100302 | BOLT, M10X 30 PLATED | 2 | | | | | | | |
| 23 | 1 | 114351-78290 | DYNAMO ASSY | 1 | | | | | | | |
| 24 | 2 | 114351-78830 | STATOR ASSY, 132.1MM | 1 | | | | | | | |
| 25 | 2 | 114351-78840 | WHEEL, DYNAMO | 1 | | | | | | | |
| 26 | 1 | 160710-78710 | CLAMP, CORD | 1 | | | | | | | |
| 27 | 1 | 26476-060142 | SCREW, TAPPING M6X14 | 1 | | | | | | | |
| 28 | 1 | 26476-060202 | SCREW, TAPPING M6X20 | 3 | | | | | | | |
| 29 | 1 | 26577-060142 | SCREW M 6X 14 | 3 | | | | | | | |
| 30 | 1 | 1N1730-51250 | KEY SWITCH | 1 | | | | | | | |
| 30-1 | 1 | 160797-77250 | SWITCH ASSY, KEY | 1 | | | | | | | N |
| | | (A=E04537) | | | | | | | | | |
| 32 | 2 | 1N1730-51240 | KEY, REVERSE | 1 | | | | | | | |
| 32-1 | 2 | 160797-77270 | KEY, REVERSE | 1 | | | | | | | S |
| | | (A=E04537) | | | | | | | | | |
| 33 | 1 | 121522-77101 | RELAY, SAFETY | 5 | | | | | | | |
| 34 | 1 | 171085-77550 | RELAY, EMERGENCY | 1 | | | | | | | |
| 35 | 1 | 171301-77700 | LIMITER, CURRENT | 1 | | | | | | | |
| 36 | 1 | 121522-77721 | INDICATOR | 1 | | | | | | | |
| 37 | 1 | 114654-77900 | STOPPER ASSY | 1 | | | | | | | |

Fig.11. TOOLS & GASKET SET (OPTION

Fig. 11 コウガ&パッキンセット
TOOL & GASKET SET

D11659-07100



(A)=L90DEHK
(B)=
(C)=

(D)=
(E)=
(F)=

| No. | Lev. | Parts No. | Description | Q'ty | | | | | | I | R |
|--------------|------|--------------|---------------------|------|-----|-----|-----|-----|-----|---|-----|
| | | | | (A) | (B) | (C) | (D) | (E) | (F) | | |
| 1 | 1 | 114250-92101 | F.W. LOCKING HANDLE | 1 | | | | | | | 1 |
| 2 | 1 | 114250-92130 | REMOVER, FLYWHEEL | 1 | | | | | | | 1 |
| 3 | 2 | 114250-92121 | TOOL, WHEEL REMOVER | 1 | | | | | | | 1 |
| 4 | 2 | 26116-060454 | BOLT M 6X 45 PLATED | 4 | | | | | | | 1 |
| 5 | 2 | 26116-080454 | BOLT, M8X 45 PLATED | 3 | | | | | | | 1 |
| 6 | 2 | 26716-060002 | NUT, M6 | 8 | | | | | | | 1 |
| 7 | 2 | 26716-080002 | NUT, M8 | 6 | | | | | | | 1 |
| 8 | 1 | 114668-92300 | GUIDE, OIL SEAL | 1 | | | | | | | 1 |
| 9 | 1 | 114650-92310 | INSTALLING TOOL | 1 | | | | | | | 1 |
| 10 | 1 | 714650-92601 | GASKET SET | 1 | | | | | | | 1 |
| 10-1 | 1 | 714650-92603 | GASKET SET | 1 | | | | | | | N 1 |
| (A=FROM 1ST) | | | | | | | | | | | |
| 11 | 2 | 114650-01340 | GASKET, HEAD | 1 | | | | | | | 1 |
| 12 | 2 | 114650-01380 | O-RING | 1 | | | | | | | 1 |
| 13 | 2 | 114650-01411 | GASKET, CRANK CASE | 1 | | | | | | | 1 |
| 13-1 | 2 | 114650-01412 | GASKET, CRANK CASE | 1 | | | | | | | R |
| (A=FROM 1ST) | | | | | | | | | | | |
| 14 | 2 | 24311-000180 | O-RING, 1AP18.0 | 2 | | | | | | | 1 |
| 15 | 2 | 114250-01840 | GASKET | 1 | | | | | | | 1 |
| 16 | 2 | 43400-500490 | SEAL WASHER 16 | 2 | | | | | | | 1 |
| 17 | 2 | 114650-11340 | SEAL, VALVE STEM | 2 | | | | | | | 1 |
| 18 | 2 | 114250-11460 | GASKET, NOZZLE | 1 | | | | | | | 1 |
| 19 | 2 | 114650-11310 | GASKET, BONNET | 1 | | | | | | | 1 |
| 20 | 2 | 114650-12300 | GASKET | 1 | | | | | | | 1 |
| 21 | 2 | 114650-12210 | GASKET, AIR CLEANER | 1 | | | | | | | 1 |
| 22 | 2 | 114650-13200 | GASKET, MUFFLER | 1 | | | | | | | 1 |
| 23 | 2 | 103338-32570 | O-RING | 1 | | | | | | | 1 |
| 24 | 2 | 114250-35270 | GASKET | 1 | | | | | | | Z 1 |
| (A=*1988.01) | | | | | | | | | | | |

Remarks
(1) OPTIONAL PARTS

Parts No. Index

| Parts No. | Fig. No. | Ref. No. |
|--------------|----------|----------|
| 101158-11190 | 3 | 9 |
| 101504-55051 | 9 | 21 |
| 103338-32570 | 5 | 7 |
| | 11 | 23 |
| 104200-23201 | 2 | 36 |
| 104211-11370 | 3 | 19 -1A |
| | | 43 |
| 105025-01220 | 1 | 5 |
| 105212-13590 | 4 | 22 |
| 105302-55040 | 9 | 20 |
| 105370-13570 | 4 | 21 |
| 105425-01690 | 1 | 16 |
| 105546-51020 | 8 | 2 |
| 105546-51330 | 8 | 14 |
| 106990-44660 | 9 | 2 |
| | | 18 |
| 114250-01800 | 1 | 20 |
| 114250-01830 | 1 | 25 |
| 114250-01840 | 1 | 26 |
| | 11 | 15 |
| 114250-02030 | 1 | 40 |
| 114250-03591 | 3 | 33 |
| 114250-03640 | 3 | 36 |
| 114250-11240 | 3 | 17 |
| | | 21 |
| 114250-11460 | 3 | 12 |
| | 11 | 18 |
| 114250-11900 | 3 | 23 |
| 114250-14260 | 2 | 6 |
| 114250-32070 | 5 | 6 |
| 114250-35070 | 5 | 10 |
| 114250-35150 | 1 | 51 |
| 114250-35270 | 11 | 24 |
| 114250-45300 | 6 | 3 |
| 114250-45310 | 6 | 4 |
| 114250-51080 | 8 | 3 |
| 114250-51150 | 8 | 9 |
| 114250-51160 | 8 | 10 |
| 114250-51180 | 8 | 7 |
| 114250-51190 | 8 | 8 |
| 114250-51340 | 8 | 15 |
| 114250-51600 | 8 | 17 |
| 114250-51640 | 8 | 21 |
| 114250-51650 | 8 | 22 |
| 114250-53080 | 8 | 29 |
| 114250-53120 | 8 | 30 |
| 114250-53130 | 8 | 31 |
| 114250-53140 | 8 | 32 |
| 114250-53210 | 8 | 33 |
| 114250-53331 | 8 | 37 |

| Parts No. | Fig. No. | Ref. No. |
|--------------|----------|----------|
| 114250-53400 | 8 | 38 |
| 114250-61900 | 5 | 28 |
| 114250-66200 | 6 | 23 |
| 114250-66440 | 6 | 26 |
| 114250-92101 | 11 | 1 |
| 114250-92121 | 11 | 3 |
| 114250-92130 | 11 | 2 |
| 114252-12550 | 4 | 12 |
| 114252-12560 | 4 | 11 |
| 114252-66252 | 6 | 25 |
| 114268-66200 | 6 | 24 |
| 114350-11470 | 3 | 13 |
| 114350-45320 | 6 | 5 |
| 114350-45340 | 6 | 7 |
| 114351-78290 | 10 | 23 |
| 114351-78830 | 10 | 24 |
| 114351-78840 | 10 | 25 |
| 114362-77010 | 10 | 1 |
| 114650-01230 | 1 | 6 |
| 114650-01240 | 1 | 7 |
| 114650-01250 | 1 | 8 |
| 114650-01260 | 1 | 9 |
| 114650-01340 | 1 | 10 |
| | 11 | 11 |
| 114650-01380 | 1 | 11 |
| | 11 | 12 |
| 114650-01411 | 11 | 13 |
| 114650-01412 | 1 | 12 |
| | 11 | 13 -1 |
| 114650-02100 | 1 | 14 |
| 114650-02150 | 1 | 41 |
| 114650-02200 | 1 | 14 A |
| 114650-02210 | 1 | 14 B |
| 114650-11010 | 3 | 1 |
| 114650-11100 | 3 | 5 |
| 114650-11110 | 3 | 6 |
| 114650-11121 | 3 | 7 |
| 114650-11261 | 3 | 10 |
| 114650-11310 | 3 | 30 |
| | 11 | 19 |
| 114650-11340 | 3 | 11 |
| | 11 | 17 |
| 114650-11600 | 3 | 14 |
| 114650-11652 | 3 | 15 |
| 114650-11662 | 3 | 19 |
| 114650-11950 | 3 | 31 |
| 114650-11951 | 3 | 31 -1 |
| 114650-12020 | 4 | 1 |
| 114650-12210 | 4 | 3 |
| | 11 | 21 |

| Parts No. | Fig. No. | Ref. No. |
|--------------|----------|----------|
| 114650-12300 | 4 | 4 |
| | 11 | 20 |
| 114650-12350 | 4 | 5 |
| 114650-12530 | 4 | 9 |
| 114650-12540 | 4 | 10 |
| 114650-12550 | 4 | 10 -1A |
| 114650-12590 | 4 | 10 -1 |
| 114650-13200 | 11 | 22 |
| 114650-14200 | 2 | 5 |
| 114650-14401 | 2 | 7 |
| 114650-21551 | 2 | 19 |
| 114650-22300 | 2 | 32 |
| 114650-32010 | 5 | 1 |
| 114650-45200 | 6 | 2 |
| 114650-51300 | 8 | 11 |
| 114650-53000 | 8 | 26 |
| 114650-53300 | 8 | 34 |
| 114650-59800 | 9 | 10 |
| 114650-59850 | 9 | 16 |
| 114650-66011 | 6 | 19 |
| 114650-66051 | 6 | 20 |
| 114650-66150 | 6 | 22 |
| 114650-66500 | 6 | 27 |
| 114650-92310 | 11 | 9 |
| 114652-66891 | 6 | 32 |
| 114654-01450 | 1 | 35 |
| 114654-11110 | 3 | 6 -1 |
| 114654-12580 | 4 | 13 |
| 114654-12590 | 4 | 14 |
| 114654-21550 | 1 | 36 |
| 114654-45300 | 7 | 1 |
| 114654-45301 | 7 | 1 -1 |
| 114654-45341 | 7 | 4 |
| 114654-45460 | 7 | 5 |
| 114654-45470 | 7 | 6 |
| 114654-45500 | 7 | 8 |
| 114654-55100 | 9 | 17 |
| 114654-59010 | 9 | 1 |
| 114654-59100 | 9 | 6 |
| 114654-59330 | 9 | 27 |
| 114654-59350 | 1 | 49 |
| 114654-66140 | 6 | 21 |
| 114654-77900 | 10 | 37 |
| 114660-01470 | 1 | 13 |
| 114660-45110 | 6 | 1 |
| 114660-45400 | 6 | 8 |
| 114660-45450 | 6 | 9 |
| 114662-21601 | 2 | 22 |
| 114662-21690 | 2 | 20 |
| 114662-21691 | 2 | 20 -1 |

| Parts No. | Fig. No. | Ref. No. |
|--------------|----------|----------|
| 114666-45330 | 6 | 6 |
| 114668-92300 | 11 | 8 |
| 119620-11180 | 3 | 8 |
| 121450-61520 | 5 | 25 |
| 121522-77101 | 10 | 33 |
| 121522-77721 | 10 | 36 |
| 121855-12060 | 4 | 2 |
| 122710-01220 | 2 | 11 |
| 124060-23100 | 2 | 37 |
| 124550-51350 | 8 | 16 |
| 124722-59050 | 9 | 7 |
| | | 7 -1 |
| 129100-61850 | 3 | 41 |
| 129792-22400 | 2 | 33 |
| 145610-83880 | 1 | 37 |
| 160110-01870 | 1 | 27 |
| 160120-76940 | 6 | 11 |
| | | 12 |
| 160710-55100 | 9 | 22 |
| 160710-78710 | 10 | 26 |
| 160797-77250 | 10 | 30 -1 |
| 160797-77270 | 10 | 32 -1 |
| 160910-01740 | 1 | 17 |
| 171085-77550 | 10 | 34 |
| 171301-77700 | 10 | 35 |
| 183250-39450 | 1 | 28 |
| 183250-55320 | 9 | 25 |
| 183279-08210 | 1 | 47 |
| 183366-08351 | 1 | 48 |
| 183366-55120 | 9 | 23 |
| 183366-55210 | 9 | 28 |
| 183650-51100 | 8 | 4 |
| 183671-12520 | 4 | 8 |
| 183671-13210 | 4 | 19 |
| 183671-45310 | 7 | 2 |
| 183671-45330 | 7 | 3 |
| 183671-45480 | 7 | 7 |
| 183720-55210 | 6 | 10 |
| | 9 | 24 |
| 1N1730-51240 | 10 | 32 |
| 1N1730-51250 | 10 | 30 |
| 22121-060000 | 7 | 9 |
| 22137-080000 | 5 | 27 |
| 22312-030160 | 3 | 38 |
| | | 5 |
| | | 8 |
| 22312-080120 | 1 | 29 |
| 22351-020006 | 8 | 23 |
| 22351-030008 | 8 | 24 |
| 22351-040008 | 3 | 24 |
| 22512-050140 | 2 | 23 |

Parts No. Index

| Parts No. | Fig. No. | Ref. No. |
|--------------|----------|----------|
| 23000-060000 | 4 | 15 |
| 24101-062034 | 2 | 44 |
| 24101-062070 | 1 | 42 |
| 24162-152112 | 1 | 43 |
| 24311-000150 | 9 | 26 |
| 24311-000180 | 1 | 19 |
| | 11 | 14 |
| 24341-000150 | 9 | 26 -1 |
| 24341-000224 | 5 | 11 |
| 24423-355008 | 1 | 44 |
| | | 45 |
| 26014-080252 | 6 | 13 |
| 26106-060082 | 7 | 10 |
| 26106-060122 | 6 | 14 -1 |
| | | 34 |
| | 7 | 11 |
| | | 12 |
| | | 13 |
| | | 14 |
| 26106-060162 | 5 | 12 |
| | 7 | 14 -1 |
| 26106-060252 | 4 | 16 |
| 26106-060302 | 6 | 35 |
| 26106-060702 | 3 | 42 |
| 26106-080122 | 1 | 46 |
| 26106-080162 | 7 | 15 |
| 26106-080352 | 1 | 30 |
| 26106-100252 | 1 | 38 |
| | | 39 |
| 26106-100302 | 10 | 22 |
| 26106-100552 | 3 | 25 |
| 26116-060454 | 11 | 4 |
| 26116-080454 | 11 | 5 |
| 26216-060122 | 6 | 14 |
| 26226-060142 | 4 | 17 |
| 26226-060182 | 1 | 31 |
| 26226-060222 | 1 | 32 |
| 26226-060502 | 3 | 26 |
| 26226-060752 | 3 | 27 |
| 26226-080182 | 3 | 28 |
| 26226-080202 | 3 | 28 -1 |
| 26366-060002 | 1 | 33 |
| | 3 | 29 |
| | 4 | 18 |
| 26366-080002 | 4 | 20 |
| 26367-060002 | 6 | 15 |
| 26476-060142 | 5 | 9 |
| | 10 | 27 |
| 26476-060202 | 6 | 16 |
| | | 36 |

| Parts No. | Fig. No. | Ref. No. |
|--------------|----------|----------|
| 26476-060202 | 10 | 28 |
| 26476-060252 | 6 | 17 |
| 26554-060162 | 4 | 23 |
| 26577-060142 | 10 | 29 |
| 26696-100002 | 6 | 37 |
| 26716-060002 | 11 | 6 |
| 26716-080002 | 11 | 7 |
| 26756-060002 | 3 | 18 |
| | | 22 |
| 26757-060002 | 6 | 38 |
| 43400-500490 | 1 | 34 |
| | | 50 |
| | 11 | 16 |
| 714650-22502 | 2 | 26 |
| 714650-22542 | 2 | 47 |
| 714650-22550 | 2 | 55 |
| 714650-23600 | 2 | 38 |
| 714650-23610 | 2 | 61 |
| 714650-23620 | 2 | 63 |
| 714650-23700 | 2 | 34 |
| 714650-28510 | 2 | 40 |
| 714650-53100 | 8 | 25 |
| 714650-61500 | 5 | 13 |
| 714650-92601 | 11 | 10 |
| 714650-92603 | 11 | 10 -1 |
| 714651-01562 | 1 | 1 |
| 714654-61700 | 5 | 20 |
| 714660-14581 | 2 | 1 |
| 714660-14582 | 2 | 1 -1 |
| 714660-22580 | 2 | 53 |
| 714660-22623 | 2 | 45 |
| 714660-22624 | 2 | 45 -1 |
| 714660-22723 | 2 | 24 |
| 714661-21702 | 2 | 12 |
| 714670-11660 | 3 | 19 -1 |
| 783650-51700 | 8 | 1 |
| 783671-12560 | 4 | 6 |
| X211416603 | 10 | 14 |
| X211427501 | 10 | 18 |
| X21142835 | 10 | 21 |
| X21143215 | 10 | 7 |
| X211445508 | 10 | 13 |
| X21145312 | 10 | 6 |
| X21145352 | 10 | 9 |
| | | 15 |
| X211456013 | 10 | 17 |
| X21145867 | 10 | 20 |
| X211461104 | 10 | 2 |
| X211468005 | 10 | 19 |
| X21147155 | 10 | 4 |

| Parts No. | Fig. No. | Ref. No. |
|------------|----------|----------|
| X211473008 | 10 | 8 -1 |
| X211478006 | 10 | 16 |
| X21148110 | 10 | 3 |
| X21148313 | 10 | 11 |
| X211489001 | 10 | 10 |
| X211492108 | 10 | 5 -1 |
| X21149314 | 10 | 12 |

| Parts No. | Fig. No. | Ref. No. |
|-----------|----------|----------|
|-----------|----------|----------|