

OCD10-M37603EN

PREFACE

1. This Parts Catalog is the 1st edition of 4TN100L-FA Diesel Engine for FURUKAWA KIKAI.

Pub. No. : 000Y00D3763

Published : January, 1992

2. Model name

Engine model	Vehicle		Vehicle made by
	Products	Model name	
4TN100L-FA	—	—	FURUKAWA KIKAI

Directions for the Parts Catalog.

1. The parts stipulated in this Parts Catalog are not necessarily standard equipped parts.
2. Parts may change without prior notice.
3. The following is an example of the Parts Catalog format.

REF.	LEV.	PARTS NO.	DESCRIPTION	Q'TY						I	R
				(A)	(B)	(C)	(D)	(E)	(F)		
1	1	729595-51390	FUEL INJECTION PUMP	1	1	1	1	1			1
1-1	1	729595-51391	FUEL INJECTION PUMP	1	1	1	1	1		N	1
		(A=E00185) (B=E00200)									
3	2	26022-060162	SCREW M 6X 16	9	9	9	9	9			
3-1	2	26022-060162	SCREW M 6X 16	4	4	4	4	4		K	
		(A=E00156) (B=E00156) (C=E00156) (D=E00156) (E=E00156)									
4	2	129470-51040	CAMSHAFT	1	1	1	1	1			
5	2	122710-51050	BEARING, ROLLER	2	2	2	2	2			
6	2	129470-51060	RETAINER	1	1	1	1	1			

Remarks
(1) BOOST COMPEMSATOR TYPE. OPTIONAL PART, TO E00155,(4JH-DT, 4JH-DTZ

① Ref. No.

The Ref. No. listed may not be in accordance with the illustration Ref. No.

(Ex.) Illustration No.

List Ref No.

1

1

(Before change)

1-1

(After change)

For interchangeable symbols N, R and K, illustrations for new parts may be abbreviated.

② Lev. (Level)

Level indication

The numbers below indicate the level of relativity towards the main part.

1 ----- Main parts (Assembly parts)

2 ----- Sub component included in " 1 ".

3 ----- Sub component included in " 2 ".

Note) Parts that are not for sale are partially illustrated but not listed.

③ Interchangeability Mark

When a part change takes place, one of the following interchangeability symbols is indicated beside the part.

Symbol	Interchangeability	Contents note
N	Old $\begin{matrix} \leftarrow \text{Yes} \\ \text{No} \rightarrow \end{matrix}$ New	New Part is interchangeable for Old Part but Old Part is not interchangeable for New Part.
Q	Old $\begin{matrix} \leftarrow \text{No} \\ \text{Yes} \rightarrow \end{matrix}$ New	New Part is not interchangeable for Old Part but Old Part is interchangeable for New Part.
R	Old $\begin{matrix} \leftarrow \text{Yes} \\ \text{Yes} \rightarrow \end{matrix}$ New	New/ Old Parts are both interchangeable.
S	Old $\begin{matrix} \leftarrow \text{No} \\ \text{No} \rightarrow \end{matrix}$ New	New/ Old Parts are both not interchangeable.
W		Part newly added.
Z		Part discontinued.
F		Not interchangeable by a single part but interchangeable together with related parts.
K		Changes only for used parts quantities.

④ Effective Machine No.

When a part changes, the effective Machine No. will be indicated in the (A)-(F) column.

Product Symbol	Product No.	Product Symbol	Product No.
C	Clutch No. Compressor No.	F	Machine No. (Agricultural Equip.)
D	Drive No.	M	Machine No.
E	Engine No.	Note 1)	Date

Note 1) A date may follow the symbol. (Ex.) 1996.01

Note 2) " XXX " are for parts that could not be predicted or for engine models that could not be identified.

Note 3) (A=E00185) is the E (Engine Serial Number) for the column (A) model (in this case 4JH-DT) after the parts design change.

⑤ Remarks Mark

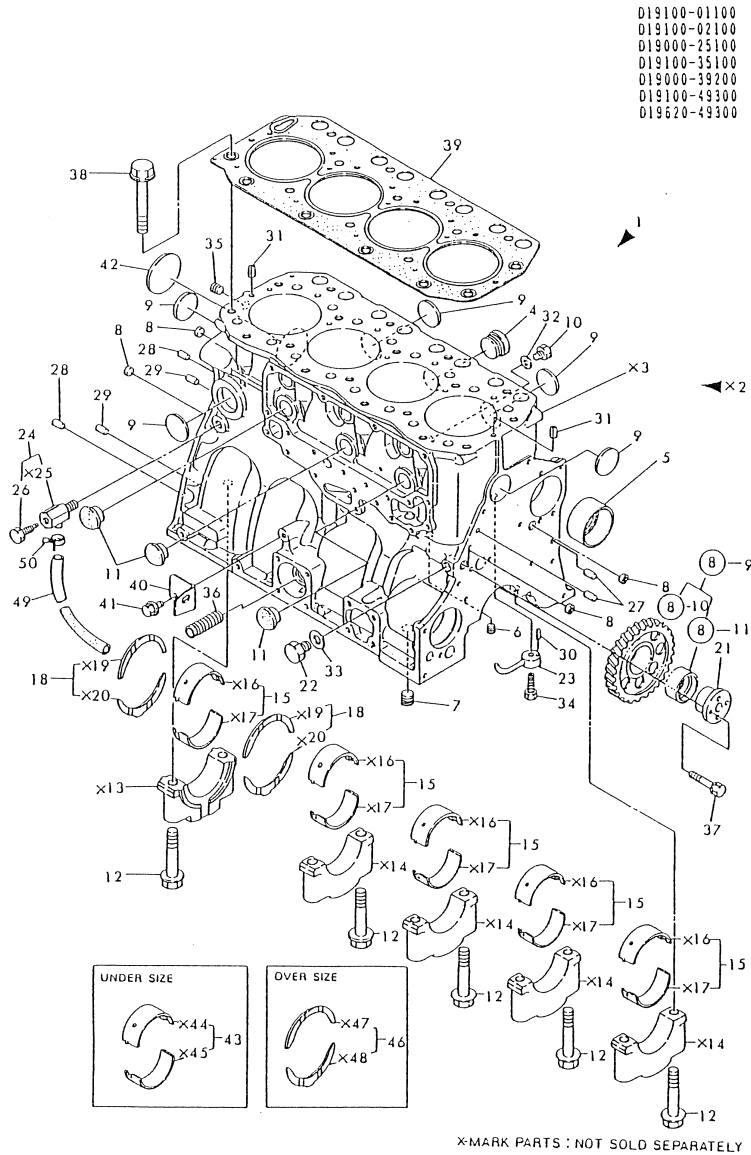
Figures or alphabets (symbols) are entered in the remarks column.

The comments (remarks) on parts that are indicated at the bottom of the illustration are the same symbols as those stated above.

Contents

Fig. No.	Fig. Name	Fig. No.	Fig. Name
ENGINE 4TN100L-FA			
1.	CYLINDER BLOCK		
2.	GEAR HOUSING		
3.	OIL SEAL HOUSING		
4.	LUB. OIL SUMP		
5.	BONNET		
6.	CYLINDER HEAD		
7.	SUC. & EXH. MANIFOLD		
8.	CAMSHAFT & IDLE GEAR		
9.	CRANKSHAFT & FLYWHEEL		
10.	PISTON & CONNECTING ROD		
11.	COOLING WATER PUMP		
12.	OIL COOLER HOUSING		
13.	FUEL INJECTION PUMP		
14.	COVERNOR		
15.	FEED PUMP		
16.	FUEL INJECT.VALVE & FUEL LINE		
17.	FUEL PIPE		
18.	STARTING MOTOR		
19.	GENERATOR		
20.	GASKET SET(CYLINDER BLOCK)		
21.	GASKET SET(CYLINDER HEAD)		
22.	ACCESSARY PART		

Fig.1. CYLINDER BLOCK



No.	Lev.	Parts No.	Description	Q'ty						I	R
				(A)	(B)	(C)	(D)	(E)	(F)		
1	1	719129-01560	BLOCK ASSY, CYLINDER	1							
4	3	171051-01921	PLUG, NPTF1	1							
5	3	119000-02410	BUSH, CAMSHAFT	1							
6	3	23871-010000	PLUG, R01	1							
7	3	23871-030000	PLUG, R03	1							
8	3	27241-140000	PLUG, 14	4							
9	3	27241-400000	PLUG, 40	5							
10	2	135400-01790	PLUG	1							
11	2	119000-01840	PLUG, RUBBER	3							
12	2	119000-02020	BOLT, METAL CAP	10							
15	2	719000-02800	BEARING, MAIN	5							
18	2	719000-02930	BEARING, THRUST	2							
21	2	119000-25050	SHAFT, IDLE GEAR	1							
22	2	135602-34390	RETAINER	1							
23	2	119000-39650	NOZZLE	4							
24	2	119620-49290	COCK ASSY, 1/4	1							
26	3	119620-49310	VALVE	1							
27	2	129100-01580	PIN, M8X16	2							
28	2	129100-01580	PIN, M8X16	2							
29	2	129100-01580	PIN, M8X16	2							
30	2	22351-030010	PIN, SPRING 3.0X10	4							
31	2	22351-080016	PIN, SPRING 8.0X16	2							
32	2	23414-100000	GASKET, 10X1.0	1							
33	2	23414-140000	GASKET, 14X1.0	1							
34	2	23857-030000	BOLT, JOINT 3	4							
35	2	23871-020000	PLUG, R02	1							
36	2	119000-35140	BOLT, FILTER	1							
37	2	26013-080452	BOLT, M8X 45	2							
38	1	119000-01200	BOLT, HEAD	18							
39	1	119100-01310	GASKET, HEAD T=1.3	1							\$
39-1	1	119100-01311	GASKET, HEAD T=1.3	1							N \$
		(A=E01317)									
39-2	1	119100-01340	GASKET, HEAD T=1.3	1							N \$
		(A=*1990.02)									
40	1	119100-01980	RETAINER, PUMP	1							
41	1	26106-080162	BOLT, M8X 16 PLATED	2							
42	1	27231-600000	PLUG, 60	1							
43	1	719000-02870	BEARING, 0.25 US	5							1
46	1	719000-02940	BEARING, THRUST 0.25	2							2
49	1	124766-49160	PIPE, WATER DRAIN	1							
50	1	124766-59050	CLIP, HOSE 12	1							

Remarks
 (1) UNDER-SIZE(U.S=0.25)PART.
 (2) OVER-SIZE(O.S=0.25)PART.
 (3) THESE PARTS ARE SOLD BY FIG.20,REF.NO.1-1.

Fig.2. GEAR HOUSING

(A)=4TN100L-FA

(B)=

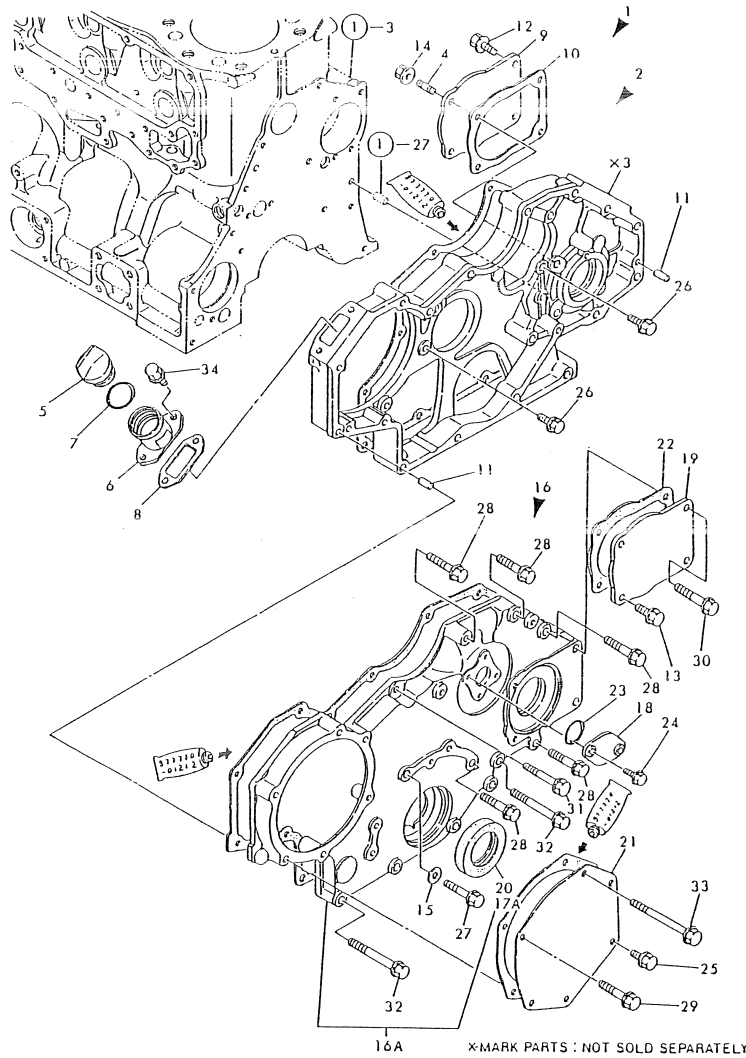
(C)=

(D)=

(E)=

(F)=

019100-01200
019129-01700
019130-01800
029100-01810

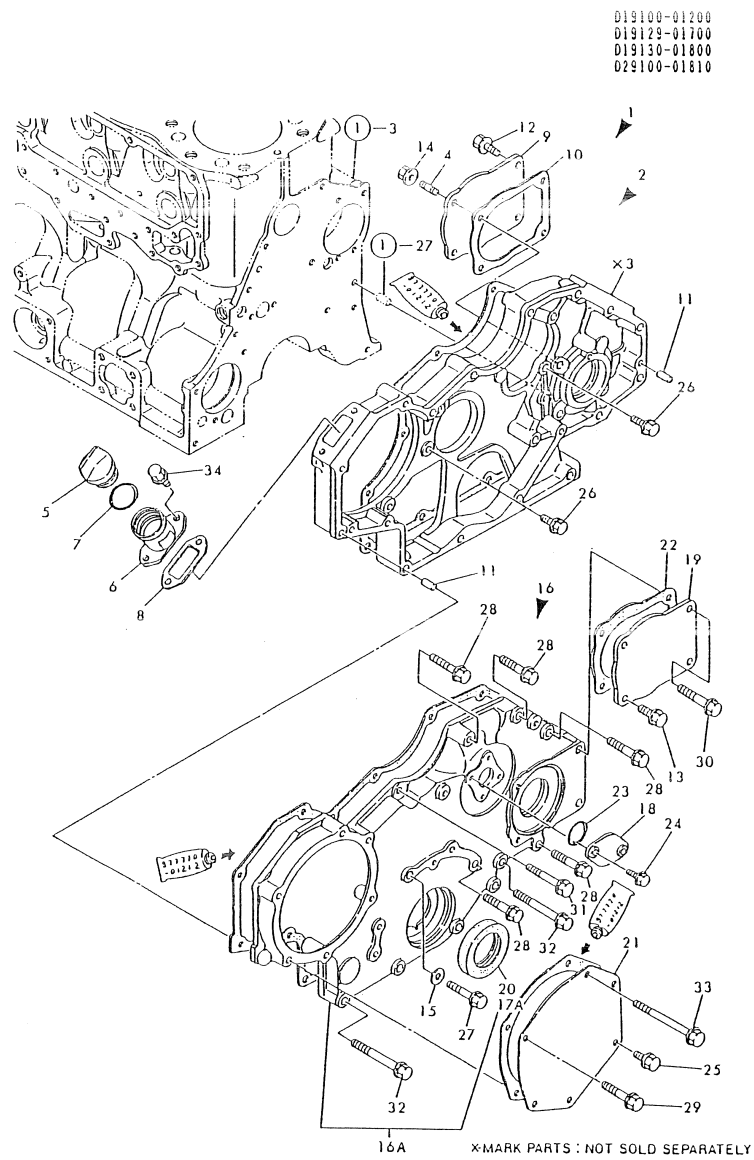


No.	Lev.	Parts No.	Description	Qty						I	R
				(A)	(B)	(C)	(D)	(E)	(F)		
1	1	719129-01610	CASE ASSY, GEAR	1							
2	2	719129-01500	COVER ASSY,GEAR CASE	1							
4	3	121850-01920	STUD, 2D8X22	2							
5	2	124160-01750	COVER	1							
5-1	2	124160-01751	COVER, FILLER	1							N
(A=E01507)											
6	2	119000-01760	FLANGE	1							
7	2	121420-01760	O-RING	1							\$
7-1	2	24311-000320	O-RING, 1AP32.0	1							N \$
(A=E01507)											
8	2	119000-01770	GASKET	1							\$
8-1	2	119000-01771	GASKET	1							N \$
(A=E01507)											
9	2	124610-01851	COVER	1							
10	2	124610-01861	GASKET	1							\$
10-1	2	124610-01862	GASKET	1							N \$
(A=E01507)											
11	2	129100-01580	PIN, M8X16	2							
12	2	26106-080202	BOLT, M8X 20 PLATED	2							
13	2	26106-080202	BOLT, M8X 20 PLATED	2							
13-1	2	121850-01920	STUD, 2D8X22	2							N
(A=E01507)											
13-2	2	26106-080202	BOLT, M8X 20 PLATED	2							N
(A=E01507)											
14	2	26366-080002	NUT, M8	2							
15	2	43400-500420	SEAL WASHER 8	1							
16	1	719129-01600	COVER ASSY,GEAR CASE	1							
16A	2	119000-01590	COVER ASSY,GEAR CASE	1							W
(A=E01507)											
17A	3	121850-01800	SEAL, OIL	1							W
(A=E01507)											
18	2	121023-01550	COVER	1							
19	2	124610-01851	COVER	1							
20	2	121850-01800	SEAL, OIL	1							Z \$
(A=E01507)											
21	2	119000-01930	COVER	1							
22	2	124610-01861	GASKET	1							\$
22-1	2	124610-01862	GASKET	1							N \$
(A=E01507)											
23	2	24341-000240	O-RING, 1AS24.0	1							\$
24	2	26106-060182	BOLT, M6X 18 PLATED	2							
24-1	2	26106-060122	BOLT, M6X 12 PLATED	2							N
(A=E01507)											
25	1	26106-080182	BOLT, M8X 18 PLATED	1							
26	1	26106-080202	BOLT, M8X 20 PLATED	5							
27	1	26106-080402	BOLT, M8X 40 PLATED	1							
28	1	26106-080452	BOLT, M8X 45 PLATED	5							
29	1	26106-080452	BOLT, M8X 45 PLATED	3							
30	1	26106-080502	BOLT, M8X 50 PLATED	2							
31	1	26106-080552	BOLT, M8X 55 PLATED	1							
32	1	26106-080752	BOLT, M8X 75 PLATED	4							

Remarks

(S) THESE PARTS ARE SOLD BY FIG.20,REF.NO.1-1.

Fig.2. GEAR HOUSING



019100-01200
 019129-01700
 019130-01800
 029100-01810

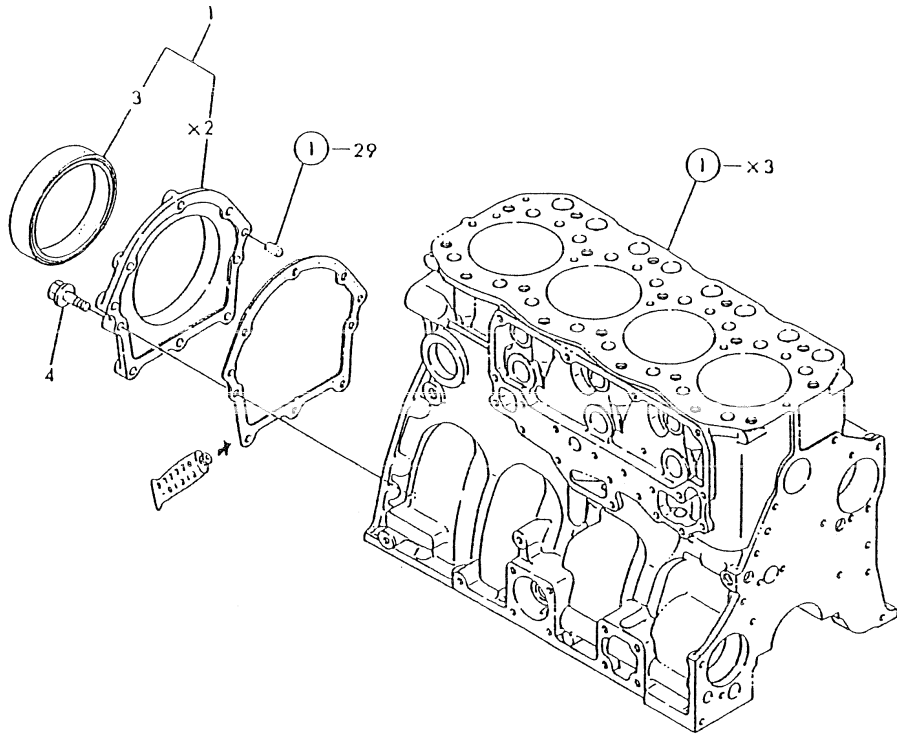
(A)=4TN100L-FA
 (B)=
 (C)=
 (D)=
 (E)=
 (F)=

No.	Lev.	Parts No.	Description	Qty						I	R
				(A)	(B)	(C)	(D)	(E)	(F)		
33	1	26106-080902	BOLT, M8X 90 PLATED	2							
34	1	26106-080252	BOLT, M8X 25 PLATED	2							

Remarks
 (§) THESE PARTS ARE SOLD BY
 FIG.20,REF.NO.1-1.

Fig.3. OIL SEAL HOUSING

019100-01500



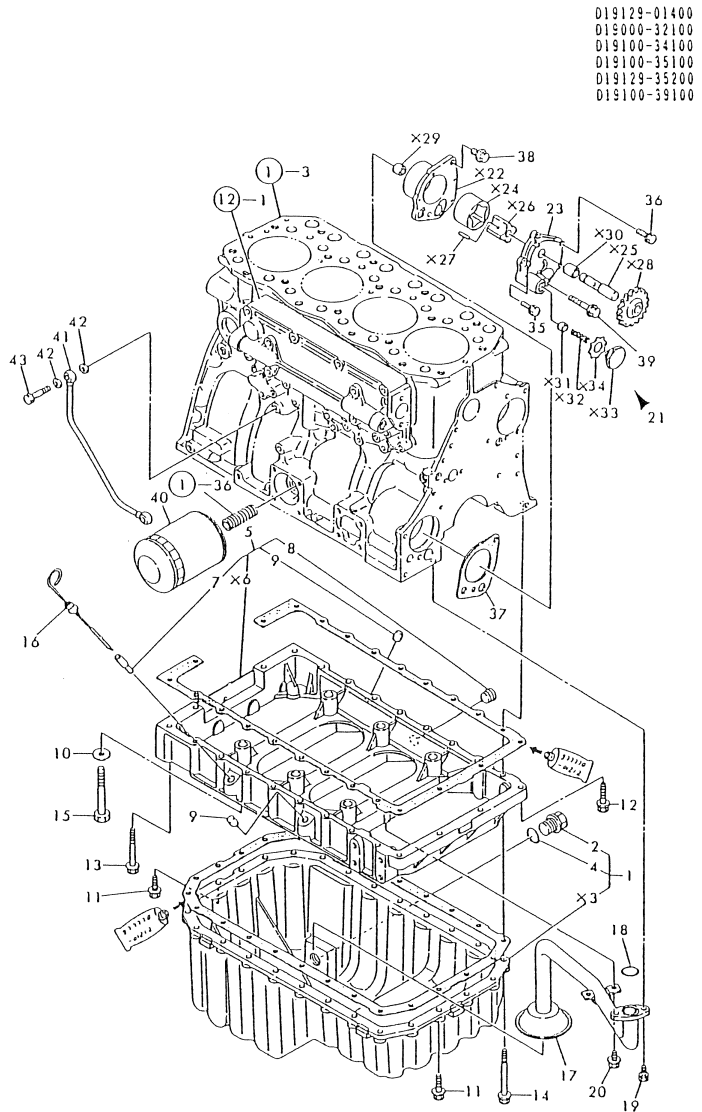
(A)=4TN100L-FA
(B)=
(C)=

(D)=
(E)=
(F)=

No.	Lev.	Parts No.	Description	Q'ty						I	R
				(A)	(B)	(C)	(D)	(E)	(F)		
1	1	719129-01650	CASE ASSY, OIL SEAL	1							
1-1	1	119100-01640	CASE ASSY, OIL SEAL	1							N
			(A=E01507)								
3	2	124411-01780	SEAL, HTC95X115X12	1							\$
4	1	26106-080252	BOLT, M8X 25 PLATED	8							

Remarks
(\$) THESE PARTS ARE SOLD BY
FIG.20,REF.NO.1-1.

Fig.4. LUB. OIL SUMP



D19129-01400
 D19000-32100
 D19100-34100
 D19100-35100
 D19129-35200
 D19100-39100

*MARK PARTS : NOT SOLD SEPARATELY

(A)=4TN100L-FA

(B)=

(C)=

(D)=

(E)=

(F)=

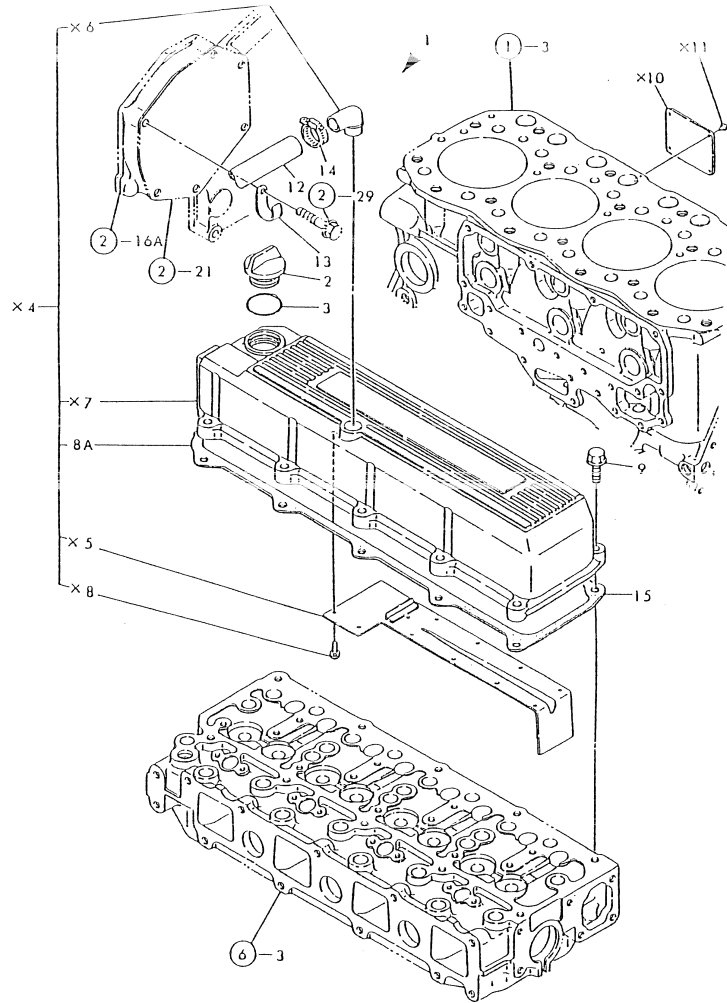
No.	Lev.	Parts No.	Description	Qty						I	R
				(A)	(B)	(C)	(D)	(E)	(F)		
1	1	719129-01540	SUMP ASSY, OIL	1							
2	2	171301-01640	PLUG, 22	1							
4	2	24341-000240	O-RING, 1AS24.0	1							\$
5	1	719129-01550	SPACER ASSY	1							
5-1	1	119129-01550	SPACER ASSY	1							N
(A=E01376)											
7	2	121520-34810	GUIDE, DIPSTICK	1							
7-1	2	119260-34810	GUIDE, DIPSTICK	1							S
(A=E01376)											
8	2	23871-030000	PLUG, R03	1							
9	2	27225-100140	PLUG, 10X14	2							
10	1	22117-120000	WASHER, 12	6							
11	1	26106-080302	BOLT, M8X 30 PLATED	8							
12	1	26106-080352	BOLT, M8X 35 PLATED	4							
13	1	26106-080702	BOLT, M8X 70 PLATED	2							
14	1	26106-080852	BOLT, M8X 85 PLATED	18							
15	1	26116-120852	BOLT, M12X 85 PLATED	6							
16	1	119100-34800	DIPSTICK, OIL	1							
17	1	119129-35090	PIPE ASSY, OIL INLET	1							
18	1	24311-000220	O-RING, 1AP22.0	1							\$
19	1	26013-080162	BOLT, M8X 16	2							
20	1	26106-080162	BOLT, M8X 16 PLATED	2							
21	1	119000-32000	PUMP ASSY, OIL	1							
21-1	1	119000-32001	PUMP ASSY, OIL	1							N
(A=E00106)											
23	2	119000-32081	COVER	1							
23-1	2	119000-32082	COVER	1							F 1
(A=E00106)											
35	2	26013-060162	BOLT, M6X 16	2							
36	2	26013-060252	BOLT, M6X 25	2							
37	1	119000-32020	GASKET, PUMP	1							\$
38	1	26106-080162	BOLT, M8X 16 PLATED	1							
39	1	26106-080502	BOLT, M8X 50 PLATED	1							
40	1	119100-35100	FILTER, OIL	1							
40-1	1	119005-35100	FILTER, D80X100L	1							R
(A=E01507)											
41	1	119100-39350	PIPE, OIL	1							
42	1	23414-080000	GASKET, 8X1.0	2							\$
43	1	23857-030000	BOLT, JOINT 3	1							

Remarks

(1) INTERCHANGEABLE BY LUB.OIL
 PUMP ASSY.(REF.NO.21-1)
 (\$) THESE PARTS ARE SOLD BY
 FIG.20,REF.NO.1-1.

Fig.5. BONNET

019000-03100
 019129-07100
 019129-11200



x-MARK PARTS : NOT SOLD SEPARATELY

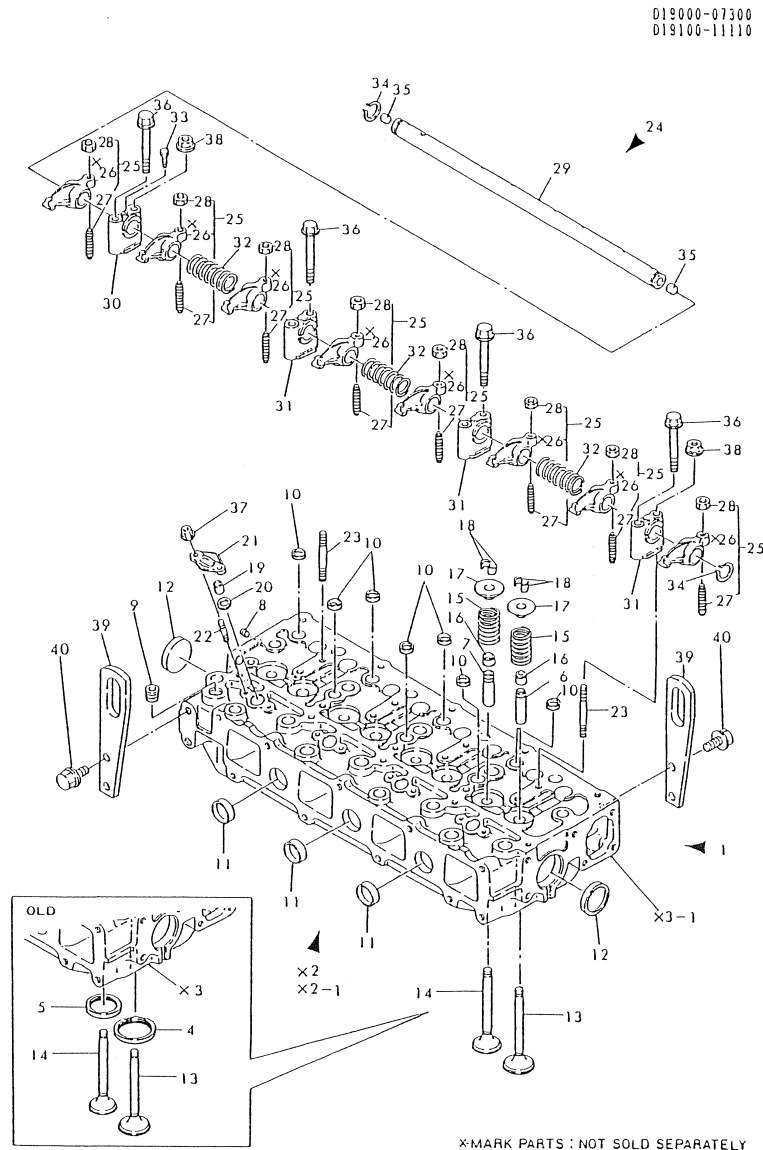
(A)=4TN100L-FA
 (B)=
 (C)=

(D)=
 (E)=
 (F)=

No.	Lev.	Parts No.	Description	Q'ty						I	R
				(A)	(B)	(C)	(D)	(E)	(F)		
1	1	719129-11520	BONNET ASSY, HEAD	1							
1-1	1	719100-11520	BONNET ASSY, HEAD	1							N
(A=E00875)											
1-2	1	119129-11520	BONNET ASSY, HEAD	1							N
(A=E01475)											
2	2	124160-01750	COVER	1							
2-1	2	124160-01751	COVER, FILLER	1							N
(A=E01507)											
3	2	121420-01760	O-RING	1							\$
3-1	2	24311-000320	O-RING, 1AP32.0	1							N \$
(A=*1990.07)											
8A	3	119100-11320	GASKET, BONNET	1							W \$
(A=E01317)											
9	1	26106-080252	BOLT, M8X 25 PLATED	10							
12	1	119006-03090	HOSE, BREATHER	1							
13	1	129150-03100	RETAINER, PIPE	1							
14	1	23000-022000	CLAMP, 22	1							
15	1	119100-11360	GASKET, BONNET	1							Z \$
(A=E01317)											

Remarks
 (\$) THESE PARTS ARE SOLD BY
 FIG.20,REF.NO.1-1.

Fig.6. CYLINDER HEAD



D19000-07300
D19100-11110

(A)=4TN100L-FA
(B)=
(C)=

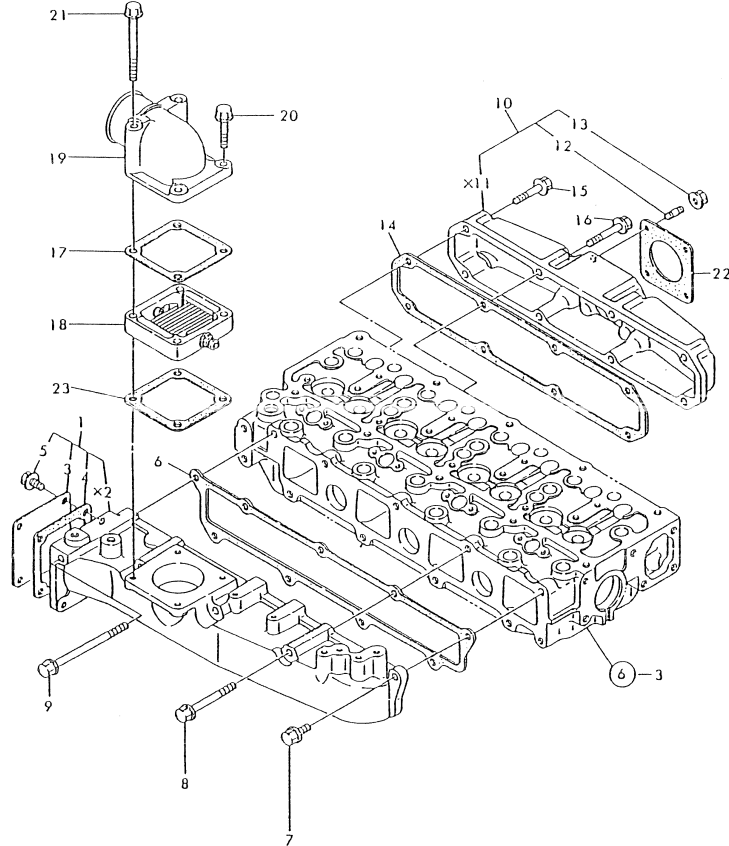
(D)=
(E)=
(F)=

No.	Lev.	Parts No.	Description	Qty						I	R
				(A)	(B)	(C)	(D)	(E)	(F)		
1	1	719129-11700	HEAD ASSY, CYLINDER	1							
4	3	119100-11080	SEAT, INTAKE VALVE	4							Z
(A=EXXX)											
5	3	119100-11090	SEAT, EXHAUST VALVE	4							Z
(A=EXXX)											
6	3	121850-11800	GUIDE, VALVE	4							1
7	3	119000-11810	GUIDE, VALVE	4							1
8	3	123385-82200	PLUG, 1/16	1							
9	3	23871-030000	PLUG, R03	1							
10	3	27241-160000	PLUG, 16	7							
11	3	27241-280000	PLUG, 28	3							
12	3	27241-400000	PLUG, 40	2							
13	2	121850-11100	VALVE, INTAKE	4							
14	2	119000-11110	VALVE, EXHAUST	4							
15	2	121850-11120	SPRING, VALVE	8							
16	2	121850-11150	SEAL, VALVE STEM	8							\$
17	2	121850-11180	RETAINER, SPRING	8							
18	2	124250-11190	COTTER	8							
19	2	119625-11870	PROTECTOR, NOZZLE	4							\$
20	2	119625-11880	SEAT, NOZZLE	4							\$
21	2	119625-11900	RETAINER, NOZZLE	4							
22	2	26216-060252	STUD, M6X 25	8							
23	2	26216-080652	STUD, M8X 65	2							
24	1	119100-11240	SHAFT ASSY, ROCKER	1							
25	2	719129-11650	ARM ASSY, ROCKER	8							
27	3	129150-11230	SCREW, VALVE ADJUST	8							
27-1	3	119000-11230	SCREW, VALVE ADJUST	8							R
(A=E00172)											
28	3	129150-11750	NUT, M8	8							
29	2	119100-11250	SHAFT, ROCKER ARM	1							
30	2	119000-11260	SUPPORT, ROCKER ARM	1							
31	2	119000-11270	SUPPORT, ROCKER ARM	3							
32	2	119000-11280	SPRING	3							
33	2	119000-11290	BOLT	1							
34	2	22242-000180	RING, 18	2							
35	2	27241-100000	PLUG, 10	2							
36	1	26106-080652	BOLT, M8X 65 PLATED	6							
37	1	26366-060002	NUT, M6	8							
38	1	26366-080002	NUT, M8	2							
39	1	119000-07200	LIFTER	2							
40	1	26106-100202	BOLT, M10X 20 PLATED	4							

Remarks
(1) REPAIR PART.
(\$) THESE PARTS ARE SOLD BY
FIG.20,REF.NO.1-1.

Fig.7. SUC. & EXH. MANIFOLD

D19100-12100
 D19100-13100
 D19129-77500
 D19129-98100



*MARK PARTS : NOT SOLD SEPARATELY

Remarks
 (\$) THESE PARTS ARE SOLD BY
 FIG.20,REF.NO.1-1.

(A)=4TN100L-FA
 (B)=
 (C)=

(D)=
 (E)=
 (F)=

No.	Lev.	Parts No.	Description	Q'ty						I	R
				(A)	(B)	(C)	(D)	(E)	(F)		
1	1	719129-12100	MANIFOLD ASSY,INTAKE	1							
3	2	119100-12120	COVER, MANIFOLD	1							
4	2	121850-77020	GASKET	1							\$
4-1	2	121850-77021	GASKET	1						N	\$
		(A=E01507)									
5	2	26106-080142	BOLT, M8X 14 PLATED	4							
6	1	119100-12110	GASKET, MANIFOLD	1							\$
6-1	1	119100-12111	GASKET, MANIFOLD	1						N	\$
		(A=E00875)									
6-2	1	119100-12112	GASKET, MANIFOLD	1						N	\$
		(A=E01507)									
7	1	26106-080202	BOLT, M8X 20 PLATED	5							
8	1	26106-080702	BOLT, M8X 70 PLATED	3							
9	1	26106-081152	BOLT, M8X115 PLATED	1							
10	1	719129-13500	MANIFOLD ASSY	1							
12	2	26216-080222	STUD, M8X 22	4							
13	2	194990-22050	NUT, M8	4							
14	1	119100-13200	GASKET	1							\$
15	1	26106-080402	BOLT, M8X 40 PLATED	4							
16	1	26106-080502	BOLT, M8X 50 PLATED	4							
17	1	119129-77020	GASKET	1							\$
18	1	119129-77500	HEATER	1							
19	1	119129-77520	BEND	1							
20	1	26106-080402	BOLT, M8X 40 PLATED	2							
21	1	26106-080902	BOLT, M8X 90 PLATED	2							
22	1	129400-13200	GASKET, SILENCER	1							\$
22-1	1	129400-13201	GASKET, SILENCER	1						N	\$
		(A=E01507)									
23	1	121850-77020	GASKET	1							\$
23-1	1	121850-77021	GASKET	1						N	\$
		(A=E01507)									

Fig.8. CAMSHAFT & IDLE GEAR

(A)=4TN100L-FA

(B)=

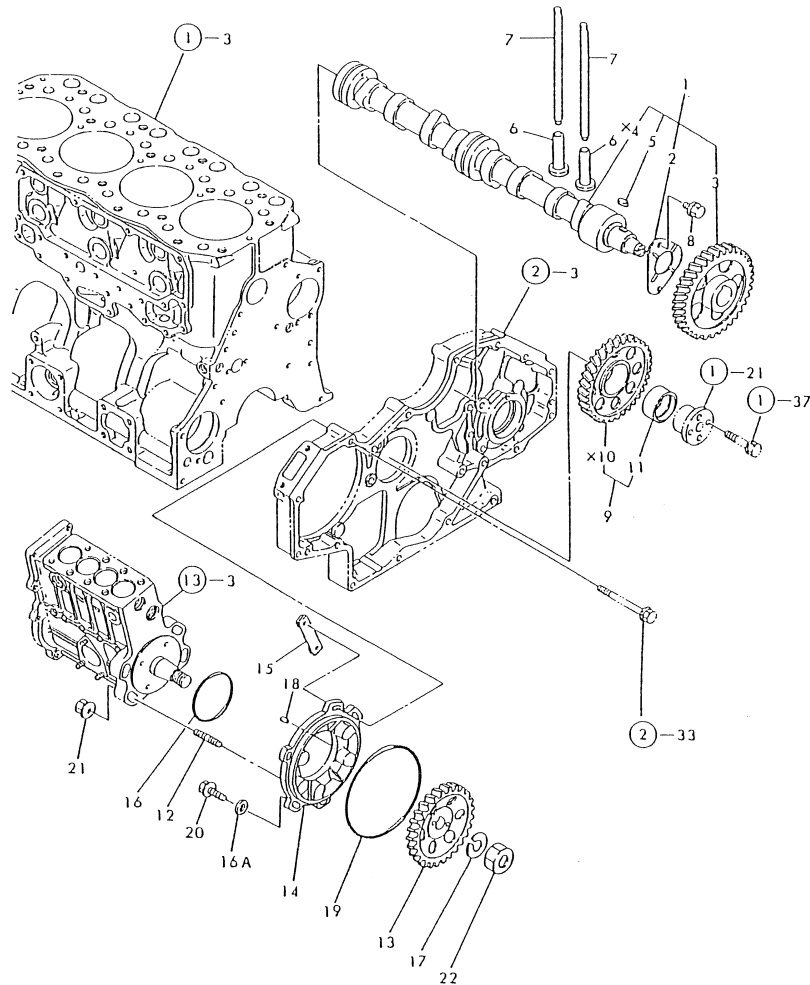
(C)=

(D)=

(E)=

(F)=

D19100-14100
D19000-25100
D19000-25200



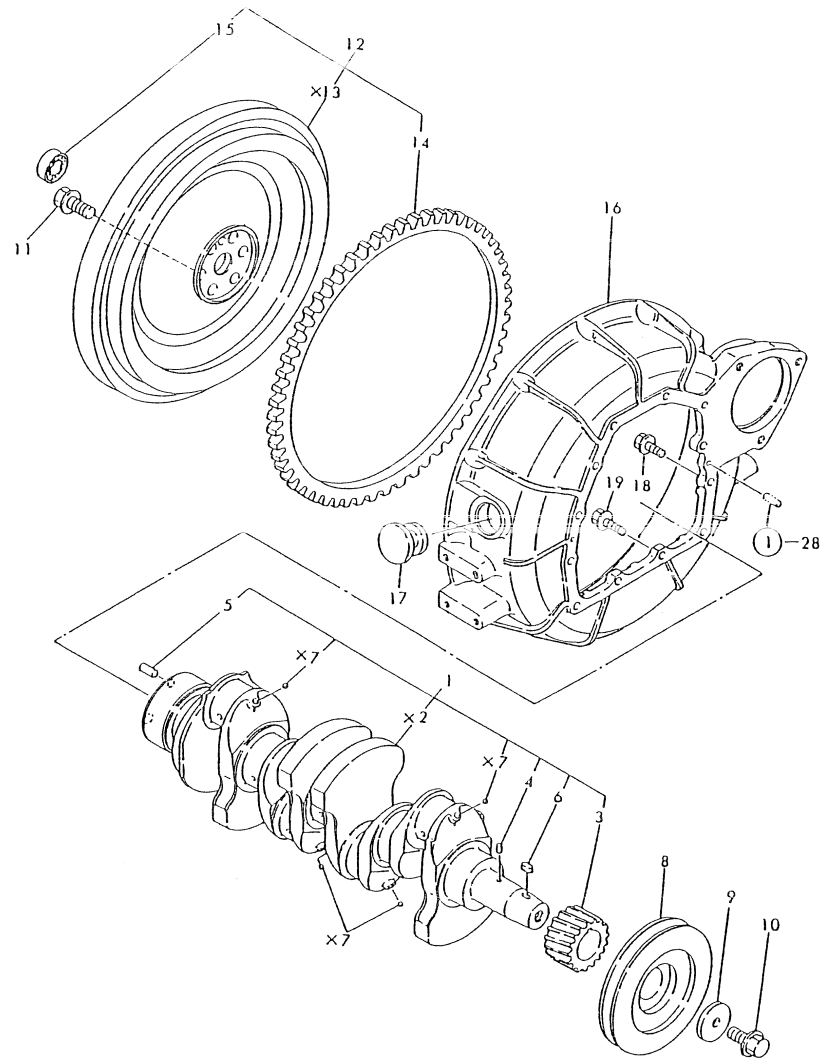
X-MARK PARTS : NOT SOLD SEPARATELY

No.	Lev.	Parts No.	Description	Q'ty						I	R
				(A)	(B)	(C)	(D)	(E)	(F)		
1	1	119100-14000	CAMSHAFT ASSY	1							
2	2	119000-02450	BEARING, THRUST	1							
3	2	119000-14100	GEAR, CAMSHAFT Z=48	1							
5	2	22512-070140	KEY, 7X 14	1							
6	1	119000-14200	TAPPET	8							
7	1	129150-14400	ROD, PUSH L=178	8							
8	1	26106-080162	BOLT, M8X 16 PLATED	2							
9	1	119000-25100	GEAR ASSY, IDLE Z=51	1							
11	2	119000-25930	BUSH, IDLE GEAR	1							
11-1	2	119000-25060	BUSH, IDLE GEAR	1							N
(A=E00131)											
12	1	121850-01900	STUD, SB10X32	4							
13	1	119000-25900	GEAR, PUMP	1							
14	1	119000-25910	BRACKET, PUMP	1							
15	1	119000-25920	RETAINER	1							
16	1	124410-51960	O-RING	1							\$
16A	1	106100-55800	WASHER	3							W
(A=E00131)											
17	1	22217-180000	WASHER, SPRING 18	1							
18	1	22351-050012	PIN, SPRING 5.0X12	1							
19	1	24341-001350	O-RING, 1AS135.0	1							\$
20	1	26106-080252	BOLT, M8X 25 PLATED	3							
21	1	26366-100002	NUT, M10	4							
22	1	26776-180002	NUT, LOCK M18	1							

Remarks

(\$) THESE PARTS ARE SOLD BY FIG.20,REF.NO.1-1.

Fig.9. CRANKSHAFT & FLYWHEEL



D19129-01300
 D19100-21100
 D19129-21200
 D19129-21300

X-MARK PARTS : NOT SOLD SEPARATELY

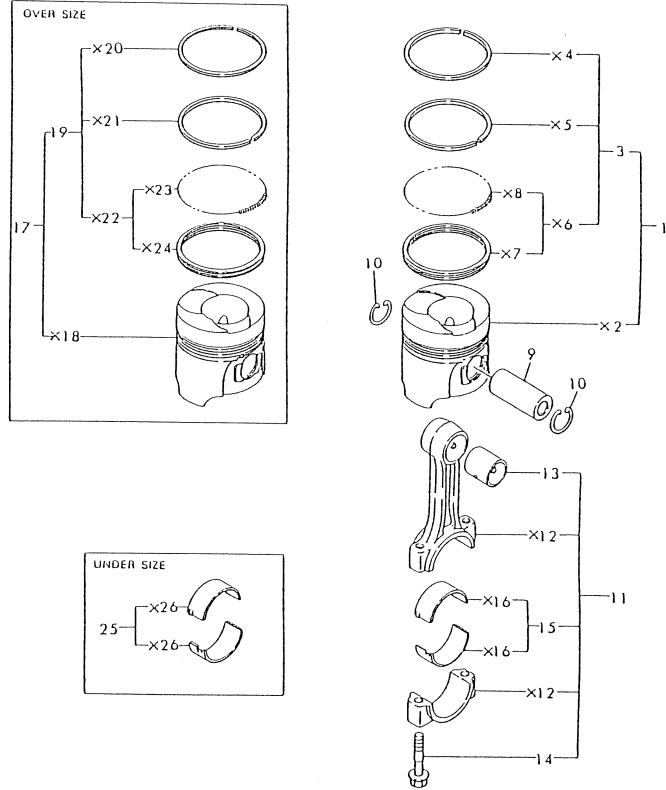
(A)=4TN100L-FA
 (B)=
 (C)=

(D)=
 (E)=
 (F)=

No.	Lev.	Parts No.	Description	Qty						I	R
				(A)	(B)	(C)	(D)	(E)	(F)		
1	1	719100-21700	CRANKSHAFT ASSY	1							
3	2	121850-21200	GEAR, CRANKSHAFT	1							
4	2	121850-21290	PIN	1							
5	2	121850-21920	PIN, M10X22	1							
6	2	22512-070140	KEY, 7X 14	1							
8	1	119129-21650	V-PULLEY	1							
9	1	121850-21660	WASHER	1							
10	1	121850-21680	BOLT	1							
11	1	121850-21130	BOLT, FLYWHEEL	6							
12	1	119129-21590	FLYWHEEL ASSY	1							
14	2	127410-21480	GEAR, RING Z=129	1							
15	2	24107-062034	BEARING, BALL 6203ZZ	1							
16	1	119129-01600	HOUSING, FLYWHEEL	1							
17	1	129795-11750	CAP	1							
18	1	26106-100252	BOLT, M10X 25 PLATED	8							
19	1	26106-100302	BOLT, M10X 30 PLATED	4							

Fig.10. PISTON & CONNECTING ROD

D19000-22100
D19000-23100



*MARK PARTS : NOT SOLD SEPARATELY

(A)=4TN100L-FA
(B)=
(C)=

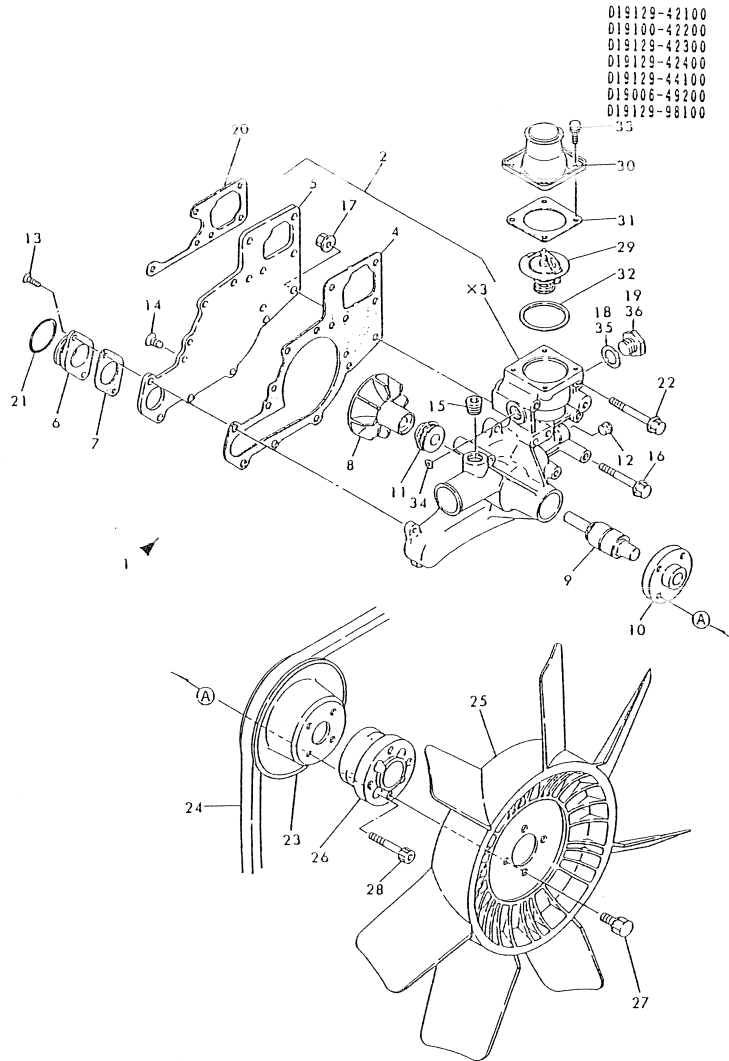
(D)=
(E)=
(F)=

No.	Lev.	Parts No.	Description	Q'ty						I	R
				(A)	(B)	(C)	(D)	(E)	(F)		
1	1	119000-22000	PISTON ASSY	4							
3	2	719000-22500	RING SET, PISTON	4							
9	1	119000-22300	PIN, PISTON	4							
10	1	22252-000340	RING, 34	8							
11	1	719000-23100	ROD ASSY, CONNECTING	4							
13	2	119000-23910	BEARING, PISTON PIN	4							1
14	2	121850-23200	BOLT, CONNECTING ROD	8							
15	2	719000-23600	BEARING, CRANK PIN	4							
17	1	719000-22900	PISTON ASSY, 0.25 OS	4							2
19	2	719000-22950	RING SET, 0.25 OS	4							2
25	1	719000-23610	BEARING ASSY, 0.25	4							3

Remarks

- (1) REPAIR PART.
- (2) OVER-SIZE(O.S=0.25)PART.
- (3) UNDER-SIZE(U.S=0.25)PART.

Fig.11. COOLING WATER PUMP



*MARK PARTS : NOT SOLD SEPARATELY

Remarks

(\$) THESE PARTS ARE SOLD BY FIG.20,REF.NO.1-1.
 (#) THESE PARTS ARE SOLD BY FIG.21,REF.NO.1-2.

(A)=4TN100L-FA

(B)=

(C)=

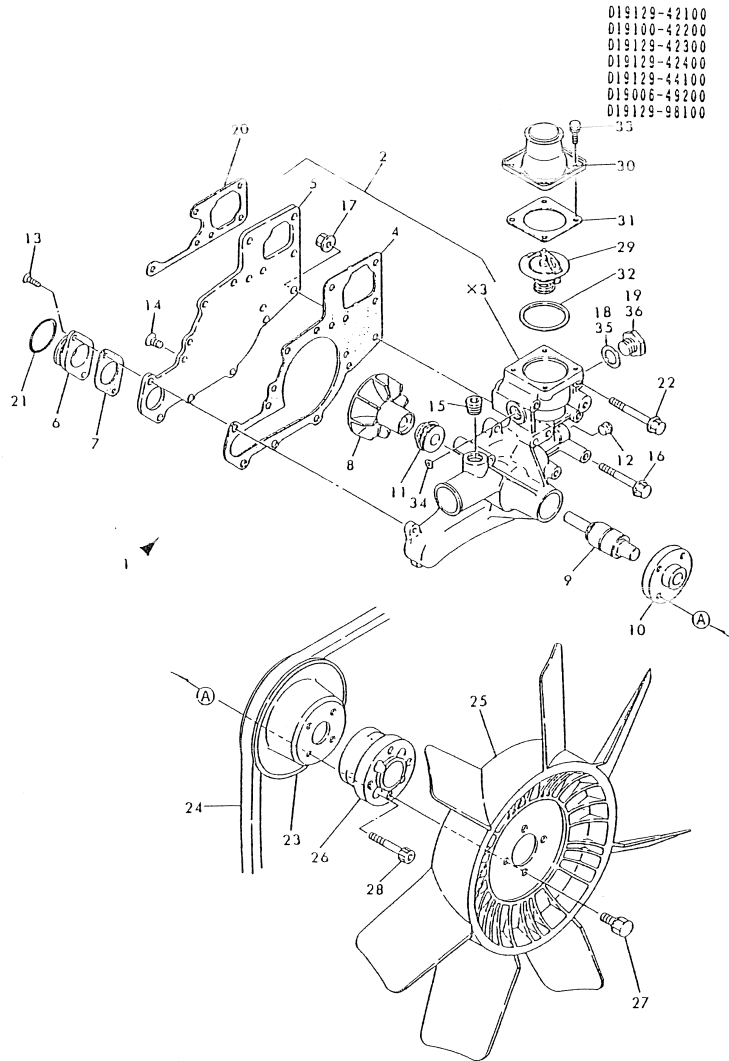
(D)=

(E)=

(F)=

No.	Lev.	Parts No.	Description	Q'ty						I	R
				(A)	(B)	(C)	(D)	(E)	(F)		
1	1	719129-42000	PUMP ASSY, WATER	1							
2	2	119006-42000	PUMP ASSY, WATER	1							
2-1	2	119006-42001	PUMP ASSY, WATER	1							N
(A=E01507)											
4	3	119000-42050	GASKET, WATER PUMP	1							
4-1	3	119000-42051	GASKET, WATER PUMP	1							N
(A=E01507)											
5	3	119000-42120	PLATE, PUMP	1							
5-1	3	119000-42121	PLATE, PUMP	1							N
(A=E01507)											
6	3	119000-42140	ADAPTER	1							
6-1	3	119000-42141	FLANGE	1							N
(A=E01507)											
7	3	119000-42150	GASKET, WATER PUMP	1							
7-1	3	119000-42151	GASKET, WATER PUMP	1							N
(A=E01507)											
8	3	119000-42200	IMPELLER, 75X75X48	1							
8-1	3	119000-42201	IMPELLER, 75X75X38	1							N
(A=E01507)											
9	3	124250-42240	SHAFT	1							
9-1	3	119000-42240	BEARING, SHAFT	1							N
(A=E01507)											
10	3	119000-42260	FLANGE	1							
10-1	3	119000-42261	FLANGE	1							N
(A=E01507)											
11	3	121450-42310	SEAL, MECHANICAL	1							
11-1	3	119660-42310	SEAL, MECHANICAL	1							N
(A=E01507)											
12	3	23871-020000	PLUG, R02	1							
13	3	21577-060202	SCREW, M6X20	2							
13-1	3	26577-060202	SCREW, M6X20	2							N
(A=E01507)											
14	3	21577-080162	SCREW, M8X16	6							
14-1	3	26577-080162	SCREW, M8X16	6							N
(A=E01507)											
15	3	23871-030000	PLUG, R03	1							
16	3	26106-080602	BOLT, M8X 60 PLATED	2							
17	3	26716-080002	NUT, M8	2							
17-1	3	26726-080002	NUT, M8	2							N
(A=E01507)											
18	2	124465-44950	GASKET, 16	2							#
19	2	23887-160002	PLUG, 16	2							
20	1	119000-42020	GASKET, WATER PUMP	1							\$
20-1	1	119000-42021	GASKET, WATER PUMP	1							N \$
(A=E01507)											
21	1	24311-000360	O-RING, 1AP36.0	1							\$
22	1	26106-080652	BOLT, M8X 65 PLATED	5							
23	1	119129-42250	V-PULLEY	1							
24	1	123560-42421	V-BELT, B47	1							
25	1	119129-44740	FAN, COOLING D=500	1							
26	1	119129-44760	SPACER	1							

Fig.11. COOLING WATER PUMP



*MARK PARTS : NOT SOLD SEPARATELY

Remarks
 (\$) THESE PARTS ARE SOLD BY FIG.20,REF.NO.1-1.
 (#) THESE PARTS ARE SOLD BY FIG.21,REF.NO.1-2.

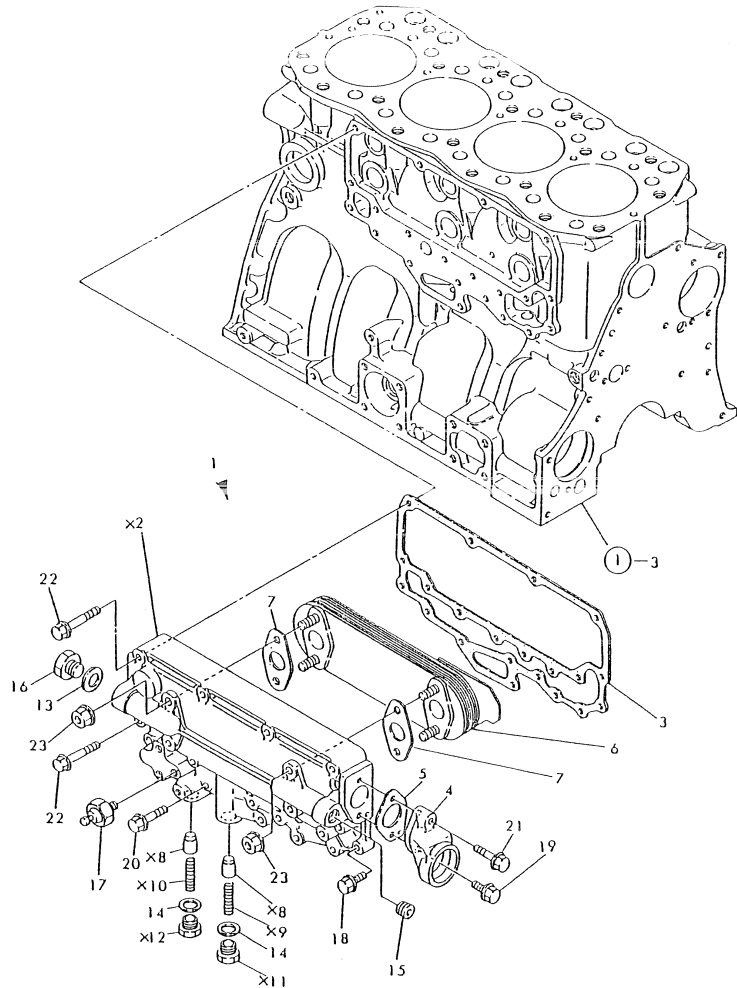
(A)=4TN100L-FA
 (B)=
 (C)=

(D)=
 (E)=
 (F)=

No.	Lev.	Parts No.	Description	Q'ty						I	R
				(A)	(B)	(C)	(D)	(E)	(F)		
27	1	26013-100202	BOLT, M10X 20	4							
28	1	26450-080502	BOLT, M8X 50	4							
29	1	119000-48170	THERMOSTAT, 71	1							
30	1	121850-49530	COVER, THERMOSTAT	1							
31	1	121850-49540	GASKET, THERMOSTAT	1							#
32	1	121850-49550	GASKET, THERMOSTAT	1							#
33	1	26014-060142	BOLT, M6X 14	4							
34	1	129150-49360	GASKET	1							
35	1	124465-44950	GASKET, 16	1							W #
		(A=EXXX)									
36	1	23887-160002	PLUG, 16	1							W
		(A=EXXX)									

Fig.12. OIL COOLER HOUSING

D19000-33100
D19100-39400



*MARK PARTS : NOT SOLD SEPARATELY

(A)=4TN100L-FA

(B)=

(C)=

(D)=

(E)=

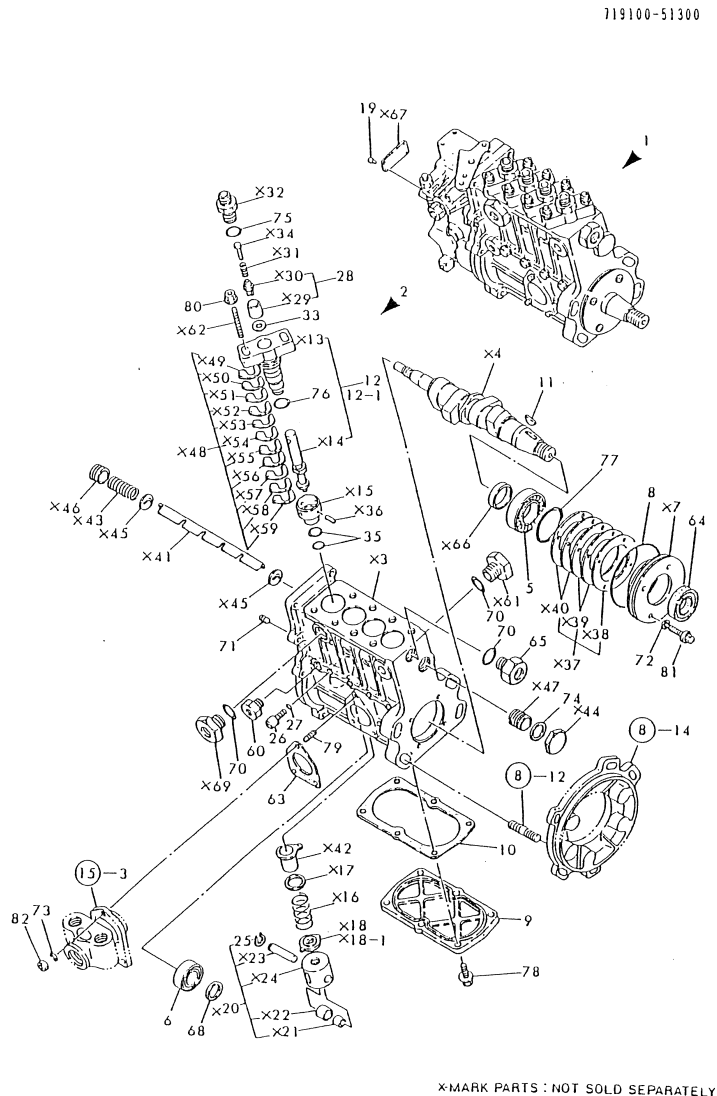
(F)=

No.	Lev.	Parts No.	Description	Q'ty						I	R
				(A)	(B)	(C)	(D)	(E)	(F)		
1	1	719129-33100	COOLER ASSY, OIL	1							
1-1	1	119140-92610		1							N
(A=E2009.12)											
3	2	119000-33020	GASKET	1							\$
3-1	2	119000-33021	GASKET	1							N \$
(A=E01507)											
4	2	119000-33030	BEND	1							
5	2	119000-33040	GASKET	1							\$
5-1	2	119000-33041	GASKET	1							N \$
(A=E01507)											
6	2	119000-33050	COOLER, OIL	1							\$
7	2	121952-33070	GASKET, COOLER	2							\$
7-1	2	121952-33071	GASKET, COOLER	2							N \$
(A=E01507)											
13	2	23414-160000	GASKET, 16X1.0	1							\$
14	2	23414-180000	GASKET, 18X1.0	2							\$
14-1	2	23414-170000	GASKET, 17X1.0	2							N
(A=E2009.12)											
15	2	23871-030000	PLUG, R03	1							
16	2	23887-160002	PLUG, 16	1							
17	2	121250-39450	SWITCH, 1.0KG	1							
18	1	26106-080202	BOLT, M8X 20 PLATED	3							
19	1	26106-080202	BOLT, M8X 20 PLATED	1							
20	1	26106-080352	BOLT, M8X 35 PLATED	8							
21	1	26106-080352	BOLT, M8X 35 PLATED	1							
22	1	26106-080502	BOLT, M8X 50 PLATED	10							
23	1	26376-100002	NUT, M10	4							

Remarks

(\$) THESE PARTS ARE SOLD BY FIG.20,REF.NO.1-1.

Fig.13. FUEL INJECTION PUMP

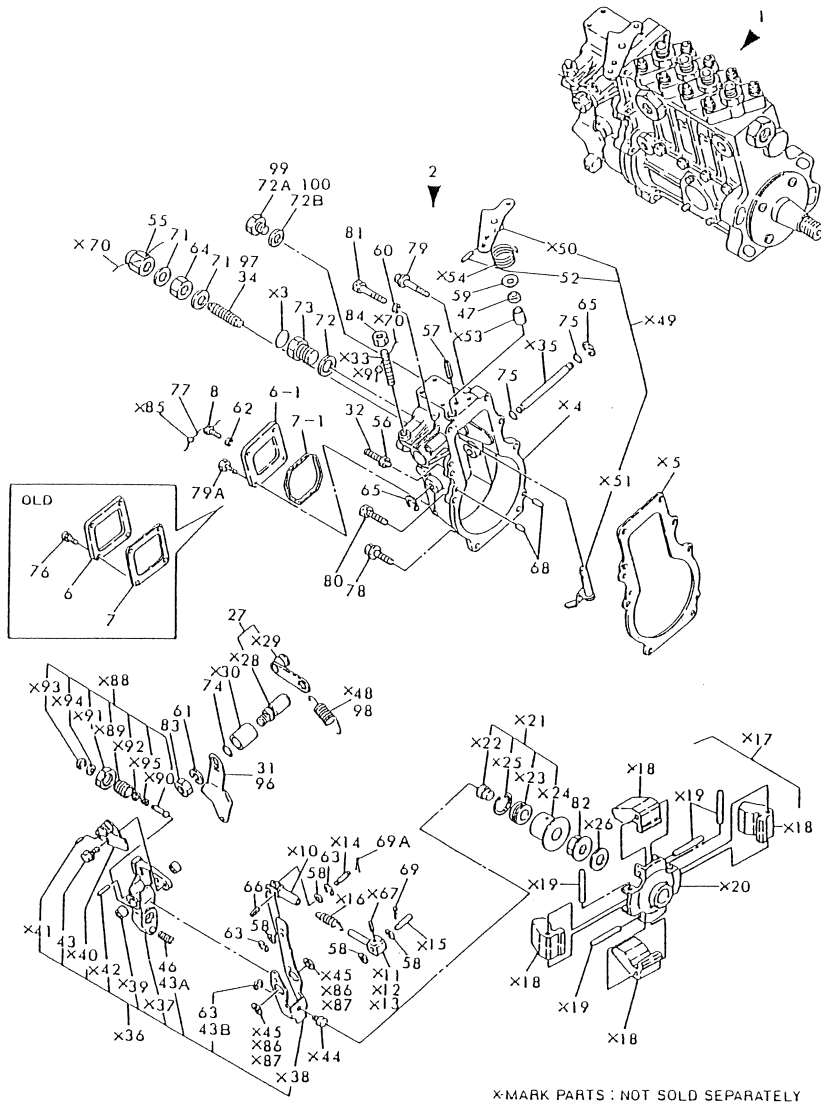


No.	Lev.	Parts No.	Description	Q'ty						I	R
				(A)	(B)	(C)	(D)	(E)	(F)		
1	1	719129-51300	PUMP ASSY, INJECTION	1							1
1-1	1	719100-51300	PUMP ASSY, INJECTION	1							N
(A=E01507)											
2	2	719129-51700	PUMP ASSY, INJECTION	1							
2-1	2	119100-51000	PUMP ASSY, INJECTION	1							N
(A=E01507)											
5	3	119000-51050	BEARING, HR32005XJ	1							
6	3	122710-51050	BEARING, HR30203J	1							
8	3	124410-51960	O-RING	1							\$
9	3	119100-51080	COVER	1							
9-1	3	119100-51081	COVER	1							N
(A=E01507)											
10	3	119100-51090	GASKET	1							
10-1	3	119100-51091	GASKET	1							N
(A=E01507)											
11	3	144626-51090	KEY, 5X19	1							
12	3	119000-51100	PLUNGER ASSY	4							
12-1	3	119000-51101	PLUNGER ASSY	4							N
(A=E00131)											
19	3	22621-230030	RIVET, 2.3X 3	2							Z
(A=E01507)											
25	4	119000-51250	CIRCLIP	4							
26	3	129155-51270	STOPPER, TAPPET	4							
27	3	129155-51280	O-RING, S6	4							
28	3	128400-51300	VALVE ASSY, DELIVERY	4							
33	3	122710-51350	GASKET	4							
35	3	119000-51410	O-RING, S18	8							
60	3	121850-51700	BUSH	1							
63	3	124410-51860	GASKET	1							\$
63-1	3	124410-51861	GASKET	1							N \$
(A=E01507)											
64	3	119000-51900	SEAL, AC1290E0	1							
65	3	121952-51900	PLUG	1							
68	3	122710-51920	SPACER	1							
70	3	144626-51950	O-RING, 1016	3							
70-1	3	144626-51950	O-RING, 1016	2							K
(A=E00523)											
71	3	137600-53900	SCREW, M6X6	1							
72	3	22190-060000	WASHER, SEAL 6	4							
73	3	22217-060000	WASHER, SPRING 6	3							
74	3	23414-220029	GASKET, 22X1.0	1							
75	3	24312-000150	O-RING, 2P15.0	4							
76	3	24341-000260	O-RING, 1AS26.0	4							
77	3	24341-000500	O-RING, 1AS50.0	1							
78	3	26106-060182	BOLT, M6X 18 PLATED	6							
79	3	26216-060162	STUD, M6X 16	3							
80	3	26366-080002	NUT, M8	8							
81	3	26106-060202	BOLT, M6X 20 PLATED	4							
82	3	26716-060002	NUT, M6	3							

Remarks
 (1) GOVERNOR(FIG.NO.14)& FEED PUMP
 (FIG.15)IS INCORPORATED IN THIS
 FUEL INJECTION PUMP(REF.NO.1).
 (\$) THESE PARTS ARE SOLD BY
 FIG.20,REF.NO.1-1.

Fig.14. GOVERNOR

719100-51300
029503-66400

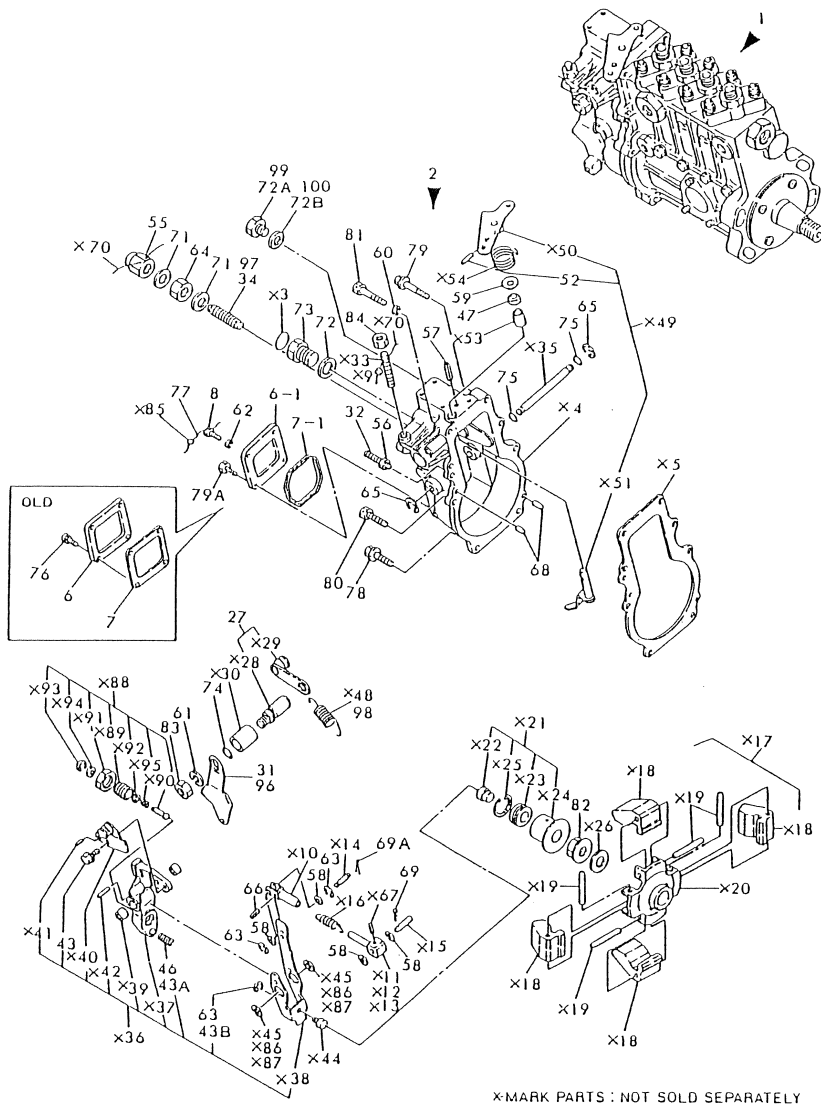


No.	Lev.	Parts No.	Description	Q'ty						I	R
				(A)	(B)	(C)	(D)	(E)	(F)		
1	1	719129-51300	PUMP ASSY, INJECTION	1							
1-1	1	719100-51300	PUMP ASSY, INJECTION	1							N
(A=EXXX)											
2	2	719129-61000	GOVERNOR ASSY	1							
2-1	2	119000-61000	GOVERNOR ASSY	1							N
(A=EXXX)											
6	3	119000-61060	COVER, GOVERNOR CASE	1							
6-1	3	120323-61060	COVER, GOVERNOR CASE	1							S
(A=E00592)											
7	3	119000-61070	GASKET	1							\$
7-1	3	120323-61070	GASKET	1							S \$
(A=E00592)											
8	3	129155-61090	BOLT	1							
27	3	119000-61400	SHAFT ASSY	1							
31	3	119100-61440	LEVER, GOVERNOR	1							Z
(A=EXXX)											
32	3	129155-61450	BOLT, LIMITER	1							
32-1	3	129470-61450	BOLT, LIMITER	1							N
(A=*1990.05)											
32-2	3	129155-61460	BOLT, IDLE	1							N
(A=EXXX)											
34	3	120323-61470	BOLT, CONTROL	1							Z
(A=EXXX)											
42	4	22351-020016	PIN, SPRING 2.0X16	1							
42-1	4	22351-020012	PIN, SPRING 2.0X12	1							N
(A=E01507)											
43	4	26106-060122	BOLT, M6X 12 PLATED	1							
43A	4	121850-61600	SPRING, FUEL CONTROL	1							W
(A=EXXX)											
43B	4	22272-000040	RING, E- 4	1							W
(A=EXXX)											
46	3	121850-61600	SPRING, FUEL CONTROL	1							Z
(A=EXXX)											
47	3	148616-61650	SEAL, VC081404	1							\$
52	4	22351-030016	PIN, SPRING 3.0X16	1							
55	3	129100-61930	NUT, CAP	1							
56	3	119000-61470	NUT, M6	1							
57	3	22492-060262	PIN 6X 26	1							
57-1	3	22492-060362	PIN, B6X36	1							N
(A=EXXX)											
58	3	22117-050000	WASHER, 5	4							
59	3	22137-080000	WASHER, 8	2							
59-1	3	22137-080000	WASHER, 8	1							K
(A=EXXX)											
60	3	22217-060000	WASHER, SPRING 6	2							
60-1	3	22217-060000	WASHER, SPRING 6	1							K
(A=EXXX)											
61	3	22217-100000	WASHER, SPRING 10	1							
62	3	22217-050000	WASHER, SPRING 5	1							
62-1	3	22217-050000	WASHER, SPRING 5	4							K
(A=EXXX)											

Remarks
(1) SELECTIVE USE.
(\$) THESE PARTS ARE SOLD BY FIG.20,REF.NO.1-1.

Fig.14. COVERNOR

719100-51300
029503-66400

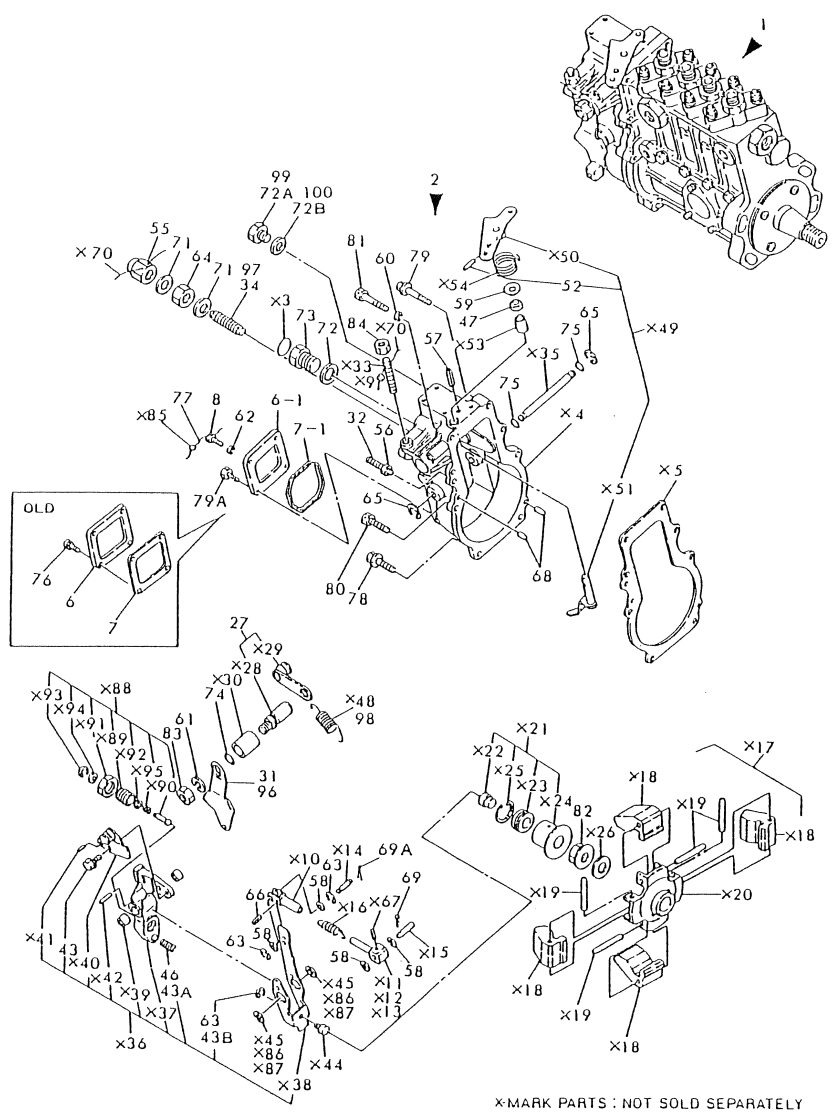


No.	Lev.	Parts No.	Description	Q'ty						I	R
				(A)	(B)	(C)	(D)	(E)	(F)		
63	3	22272-000040	RING, E- 4	3							
63-1	3	22272-000040	RING, E- 4	2							K
(A=E01507)											
64	3	26777-120002	NUT, LOCK M12	1							
65	3	22272-000080	RING, E- 8	2							
66	3	22351-030016	PIN, SPRING 3.0X16	1							
68	3	22351-050020	PIN, SPRING 5.0X20	2							
69	3	22360-050000	SNAP PIN 5	2							
69-1	3	22372-050000	PIN, SNAP 5	1							K
(A=E01507)											
69A	3	22417-120120	PIN, COTTER 1.2X12	1							W
(A=E01507)											
71	3	23414-120016	GASKET, 12X1.0	2							\$
71-1	3	43400-500450	SEAL WASHER 12S	2							N \$
(A=E00523)											
72	3	23414-160021	GASKET, 16X1.0	1							\$
72-1	3	43400-500500	SEAL WASHER 16	1							N \$
(A=E00523)											
72A	3	23887-080002	PLUG 8	1							W
(A=E00523)											
72A-1	3	23887-080002	PLUG 8	1							Z
(A=E00523)											
72B	3	43400-500420	SEAL WASHER 8	1							W \$
(A=E00523)											
72B-1	3	43400-500420	SEAL WASHER 8	1							Z \$
(A=E00523)											
73	3	23887-160002	PLUG, 16	1							
74	3	24311-000110	O-RING, 1AP11.0	1							
75	3	24341-000080	O-RING, 1AS8.0	2							
76	3	26022-050122	SCREW, M5X12	3							Z
(A=E00523)											
77	3	22451-060000	WIRE, 0.6	1							
78	3	26106-060222	BOLT, M6X 22 PLATED	4							
78-1	3	26106-060222	BOLT, M6X 22 PLATED	6							K
(A=E00523)											
79	3	26106-060352	BOLT, M6X 35 PLATED	1							
79A	3	26116-050102	BOLT, M5X 10 PLATED	3							W
(A=E00523)											
80	3	26116-060256	BOLT, M6X 25 PLATED	1							Z
(A=E00523)											
81	3	26116-060356	BOLT, M6X 35 PLATED	1							
82	3	26376-120002	NUT, M12	1							
83	3	26736-100002	NUT, M10	1							
83-1	3	26606-100002	NUT, M10	1							N
(A=E00523)											
84	3	26757-080002	NUT, LOCK M8	1							
96	2	119100-61440	LEVER, GOVERNOR	1							W
(A=E00523)											
97	2	120323-61470	BOLT, CONTROL	1							W
(A=E00523)											
98	2	119000-61700	SPRING, GOVERNOR	1							W

Remarks
(1) SELECTIVE USE.
(\$) THESE PARTS ARE SOLD BY FIG.20,REF.NO.1-1.

Fig.14. COVERNOR

719100-51300
D29503-66400



(A)=4TN100L-FA
(B)=
(C)=

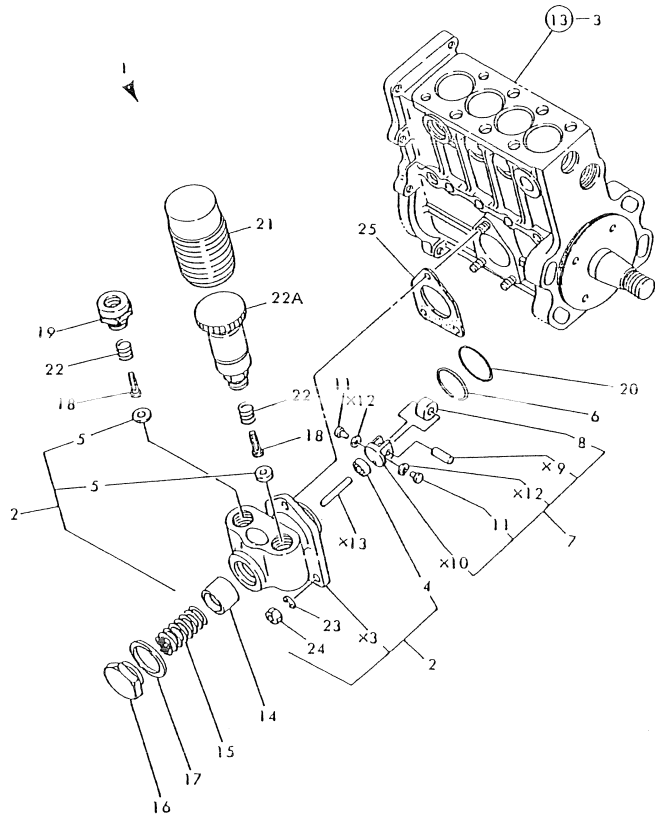
(D)=
(E)=
(F)=

No.	Lev.	Parts No.	Description	Q'ty						I	R
				(A)	(B)	(C)	(D)	(E)	(F)		
		(A=EXXX)									
99	2	23887-080002	PLUG 8	1							W
		(A=EXXX)									
100	2	43400-500420	SEAL WASHER 8	1							W \$
		(A=EXXX)									

Remarks
(1) SELECTIVE USE.
(\$) THESE PARTS ARE SOLD BY FIG.20,REF.NO.1-1.

Fig.15. FEED PUMP

719100-51300



X-MARK PARTS : NOT SOLD SEPARATELY

Remarks
 (\$) THESE PARTS ARE SOLD BY
 FIG.20,REF.NO.1-1.

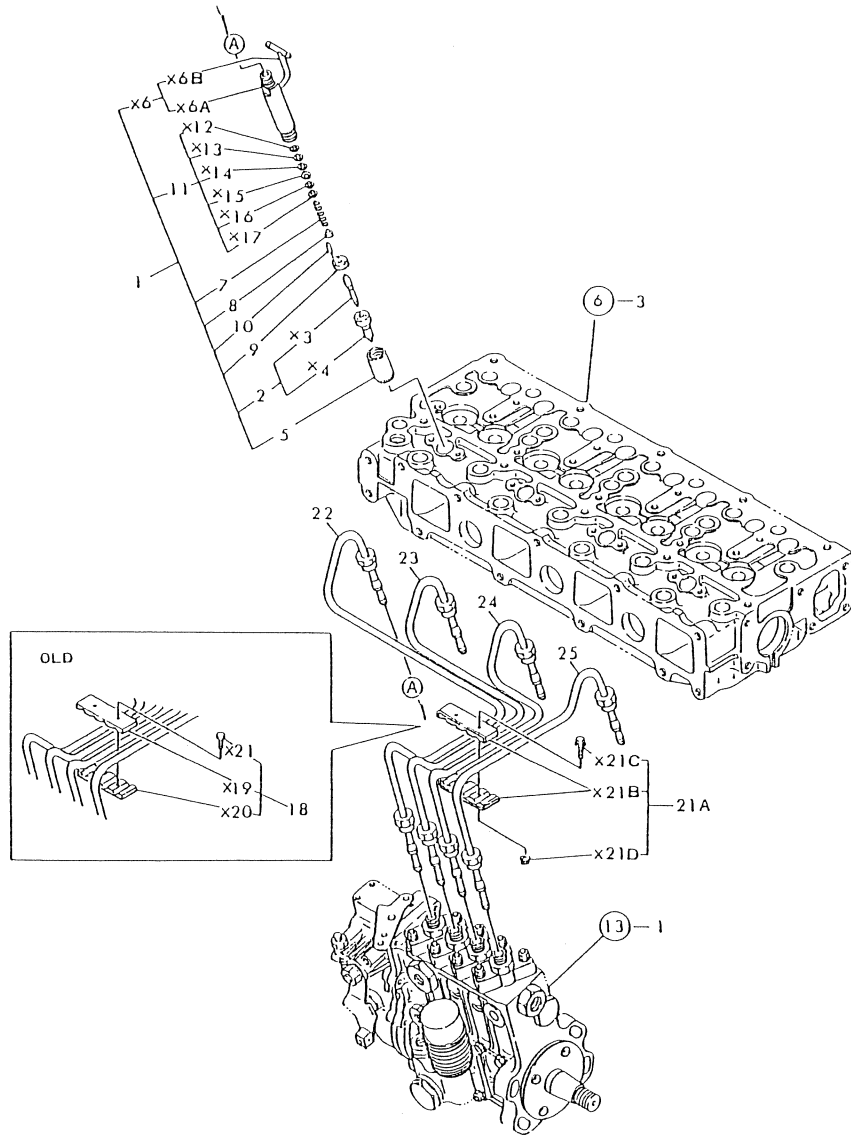
(A)=4TN100L-FA
 (B)=
 (C)=

(D)=
 (E)=
 (F)=

No.	Lev.	Parts No.	Description	Q'ty						I	R
				(A)	(B)	(C)	(D)	(E)	(F)		
1	1	719000-52700	PUMP ASSY, FUEL FEED	1							
1-1	1	119000-52000	PUMP ASSY, FUEL FEED	1							N
(A=E01507)											
2	2	121820-52020	BODY ASSY, PUMP	1							
4	3	121820-52040	SEAL, OIL	1							
5	3	121820-52050	GASKET	2							
6	2	121820-52070	PIN	1							
7	2	719000-52500	TAPPET ASSY	1							
7-1	2	119000-52100	TAPPET ASSY	1							N
(A=E01507)											
8	3	121820-52110	ROLLER	1							
11	3	121820-52140	RETAINER	2							
14	2	121820-52170	PISTON	1							
15	2	121820-52180	SPRING, VALVE	1							
16	2	121820-52190	RETAINER, SPRING	1							
17	2	121820-52200	GASKET, 25	1							
18	2	121820-52210	VALVE	2							
19	2	121820-52230	RETAINER, SPRING	1							
20	2	121820-52260	O-RING	1							Z \$
(A=E01507)											
21	2	121820-52400	COVER	1							
22	2	121820-52510	SPRING, VALVE	2							
22A	2	121820-52300	PUMP, PRIMING	1							W
(A=E01507)											
23	1	22217-060000	WASHER, SPRING 6	3							W
(A=E01507)											
24	1	26716-060002	NUT, M6	3							W
(A=E01507)											
25	1	124410-51860	GASKET	1							W
(A=E01475)											
25-1	1	124410-51861	GASKET	1							N
(A=E01507)											

Fig.16. FUEL INJECT.VALVE & FUEL LINE

019000-53100
019100-59100



(A)=4TN100L-FA
(B)=
(C)=

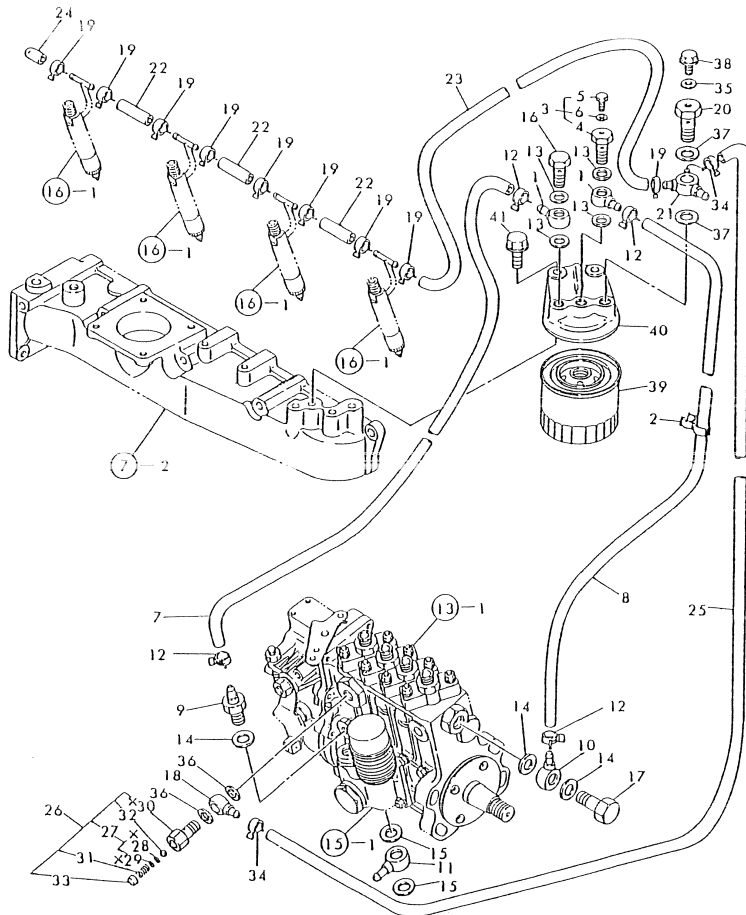
(D)=
(E)=
(F)=

No.	Lev.	Parts No.	Description	Q'ty						I	R
				(A)	(B)	(C)	(D)	(E)	(F)		
1	1	719129-53100	VALVE ASSY,INJECTION	4							
2	2	119000-53000	VALVE ASSY,INJECTION	4							
5	2	114250-53080	NUT, NOZZLE D16.95	4							
7	2	114250-53120	SPRING, NOZZLE	4							
8	2	114250-53130	SEAT, SPRING	4							
9	2	114250-53140	PLATE	4							
10	2	114250-53210	PIN	4							
10-1	2	114250-53210	PIN	8							K
(A=E01507)											
11	2	114250-53400	SHIM SET	4							
18	1	129550-59120	RETAINER, PIPE	1							Z
(A=E00111)											
21A	1	123472-59090	RETAINER ASSY	1							W
(A=E00111)											
22	1	119100-59810	PIPE ASSY, INJECTION	1							
23	1	119100-59820	PIPE ASSY, INJECTION	1							
24	1	119100-59830	PIPE ASSY, INJECTION	1							
25	1	119100-59840	PIPE ASSY, INJECTION	1							

×-MARK PARTS : NOT SOLD SEPARATELY

Fig.17. FUEL PIPE

D19000-55100
D19006-59200
D19100-59300



*MARK PARTS : NOT SOLD SEPARATELY

Remarks
(\$) THESE PARTS ARE SOLD BY
FIG.20,REF.NO.1-1.

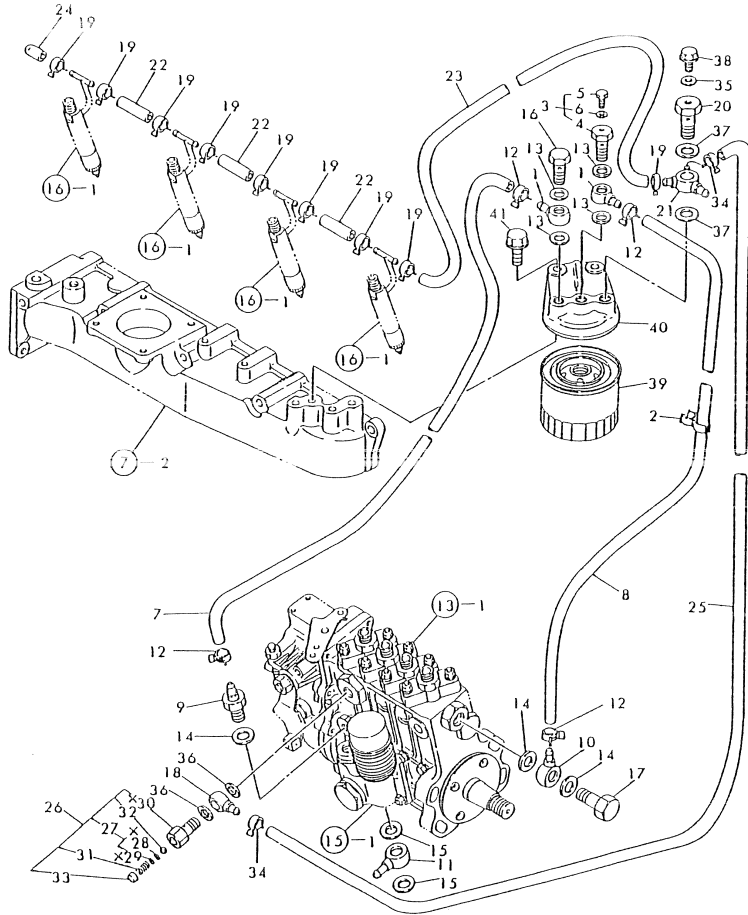
(A)=4TN100L-FA
(B)=
(C)=

(D)=
(E)=
(F)=

No.	Lev.	Parts No.	Description	Qty						I	R
				(A)	(B)	(C)	(D)	(E)	(F)		
1	1	104264-59020	JOINT	2							
1-1	1	101304-59020	JOINT, PIPE 12	2							N
(A=E00106)											
2	1	121855-59111	CLAMP, PIPE 610	2							
2-1	1	119006-59110	CLAMP	1							N
(A=E01507)											
3	1	103854-59191	BOLT ASSY, JOINT M12	1							
4	2	103854-59201	BOLT, PIPE JOINT M12	1							
5	2	124060-59380	PLUG, 6	1							
6	2	43400-500390	SEAL WASHER 6S	1							
7	1	105025-59530	PIPE, FUEL D13X400	1							
8	1	105025-59760	PIPE, FUEL	1							
8-1	1	23980-730240	HOSE, 7.3X 240	1							N
(A=E01507)											
9	1	119006-59910	JOINT, PIPE	1							
9-1	1	121250-49110	JOINT, PIPE	1							N
(A=E00172)											
10	1	121750-59910	JOINT	1							
10-1	1	121855-59880	JOINT, PIPE	1							N
(A=E00106)											
11	1	121750-59910	JOINT	1							
11-1	1	121855-59880	JOINT, PIPE	1							N
(A=E00106)											
12	1	23000-013000	CLAMP, 13	4							
13	1	23414-120000	GASKET, 12X1.0	4							\$
13-1	1	43400-500450	SEAL WASHER 12S	4							N \$
(A=E01507)											
14	1	23414-140000	GASKET, 14X1.0	3							\$
14-1	1	43400-500470	SEAL WASHER 14S	3							N \$
(A=E01507)											
15	1	23414-140000	GASKET, 14X1.0	2							\$
15-1	1	43400-500470	SEAL WASHER 14S	2							R \$
(A=E01507)											
16	1	23857-060000	BOLT, JOINT 6	1							
17	1	23857-080000	BOLT, JOINT 8	1							
18	1	104264-59020	JOINT	1							
18-1	1	101304-59020	JOINT, PIPE 12	1							N
(A=E00106)											
19	1	124066-59100	CLIP, HOSE 8	9							
(A=E01507)											
20	1	129495-59300	BOLT, PIPE JOINT	1							
21	1	129470-59530	JOINT, PIPE	1							
22	1	119000-59550	PIPE, FUEL RETURN	3							
23	1	119000-59560	PIPE, FUEL RETURN	1							
24	1	129150-59580	CAP	1							
25	1	129255-59580	PIPE, FUEL	1							
26	1	129100-59951	VALVE ASSY, CHECK	1							
27	2	129100-59850	SHIM SET	1							
31	2	129100-59970	SPRING	1							
32	2	24190-080001	BALL, STEEL 1/4	1							
33	2	27241-100000	PLUG, 10	1							

Fig.17. FUEL PIPE

D19000-55100
D19006-59200
D19100-59300



X-MARK PARTS : NOT SOLD SEPARATELY

(A)=4TN100L-FA
(B)=
(C)=

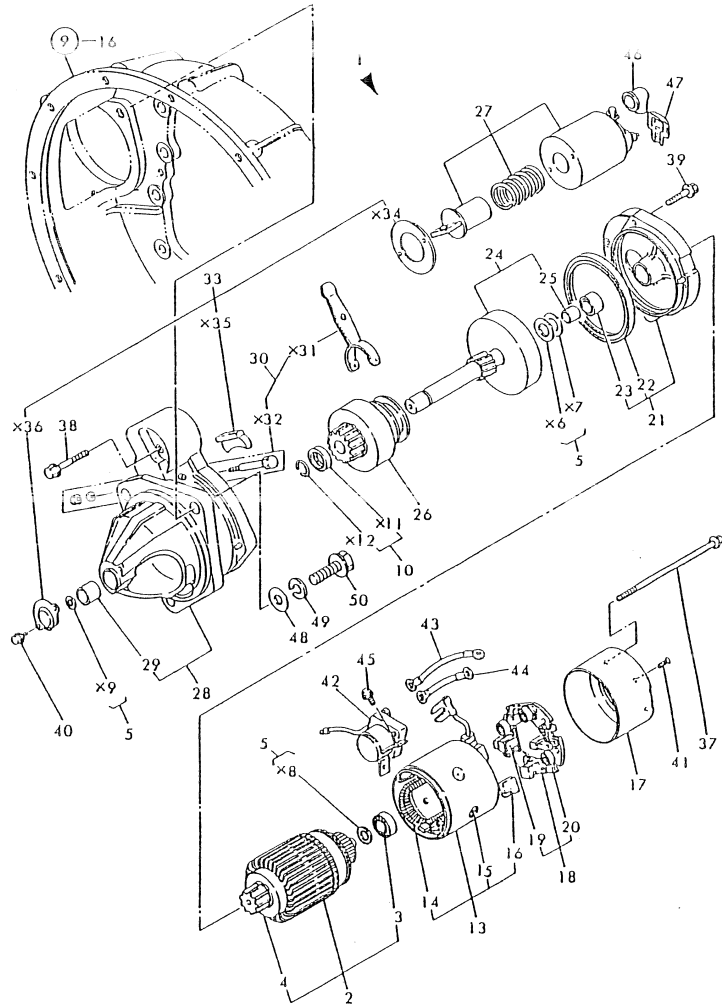
(D)=
(E)=
(F)=

No.	Lev.	Parts No.	Description	Qty						I	R
				(A)	(B)	(C)	(D)	(E)	(F)		
34	1	23000-013000	CLAMP, 13	2							
35	1	23414-080000	GASKET, 8X1.0	1							\$
36	1	23414-120000	GASKET, 12X1.0	2							\$
36-1	1	43400-500450	SEAL WASHER 12S	2						N	\$
		(A=E01507)									
37	1	23414-140000	GASKET, 14X1.0	2							\$
37-1	1	43400-500470	SEAL WASHER 14S	2						N	\$
		(A=E01507)									
38	1	26106-080102	BOLT, M8X 10 PLATED	1							
39	1	119000-55600	FILTER, FUEL	1							
40	1	129470-55610	BODY, STRAINER	1							
41	1	26106-100252	BOLT, M10X 25 PLATED	2							

Remarks
(\$) THESE PARTS ARE SOLD BY
FIG.20,REF.NO.1-1.

Fig.18. STARTING MOTOR

U11090-71110
D19129-98100



x-MARK PARTS : NOT SOLD SEPARATELY

(A)=4TN100L-FA

(B)=

(C)=

(D)=

(E)=

(F)=

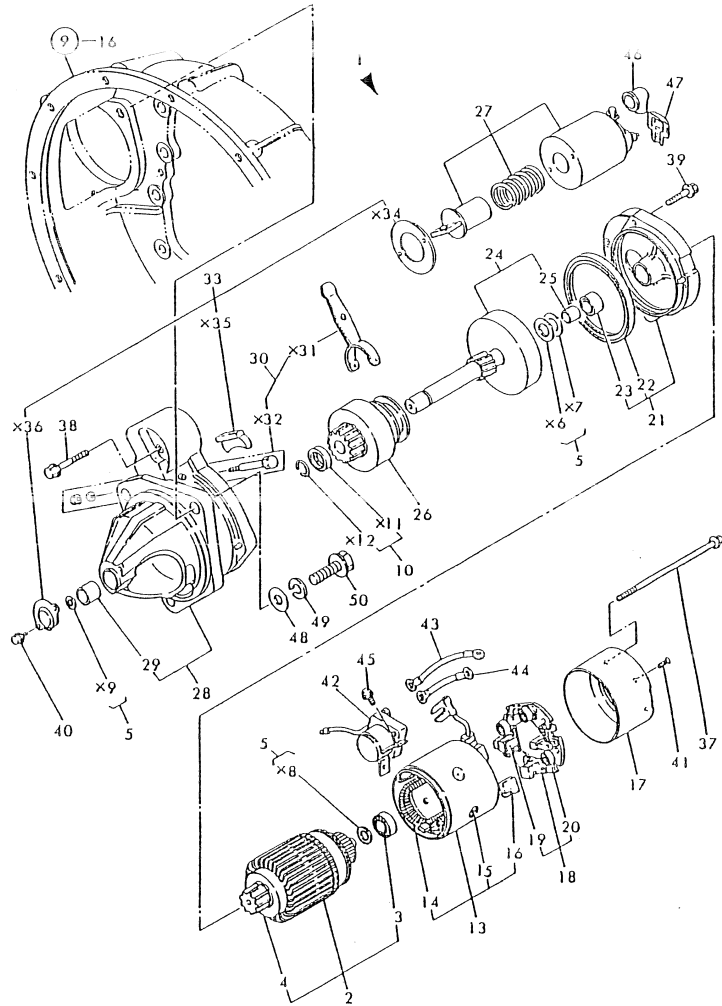
No.	Lev.	Parts No.	Description	Q'ty						I	R
				(A)	(B)	(C)	(D)	(E)	(F)		
1	1	124617-77010	STARTER, 24V-4KW	1							
1-1	1	124617-77011	STARTING MOTOR	1							N
(A=E01507)											
2	2	119129-77400	ARMATURE ASSY	1							
3	3	119129-77410	BALL BEARING	1							
3-1	3	121254-77410	BALL BEARING	1							N
(A=E00875)											
4	3	119129-77420	BALL BEARING	1							
4-1	3	121254-77420	BALL BEARING	1							N
(A=E00875)											
5	2	119129-77510	WASHER KIT, THRUST	1							
5-1	2	121254-77430	WASHER KIT, THRUST	1							N
(A=E00875)											
10	2	119129-77670	STOPPER SET, PINION	1							
13	2	119129-77430	YORK ASSY	1							
13-1	2	121254-77510	YORK ASSY	1							N
(A=E00875)											
14	3	119129-77440	COIL ASSY, FIELD	1							
15	3	119129-77450	SCREW	4							
15-1	3	121254-77530	SCREW, POLE CORE	4							N
(A=E00875)											
16	3	119129-77460	BRUSH(+)	2							
17	2	119129-77530	COVER, REAR	1							
18	2	119129-77470	HOLDER ASSY, BRUSH	1							
19	3	119129-77480	BRUSH(-)	2							
20	3	119129-77490	SPRING, BRUSH	4							
20-1	3	121254-77590	SPRING, BRUSH	4							N
(A=E00875)											
21	2	119129-77190	BEARING ASSY, CENTER	1							
21-1	2	121254-77600	BEARING ASSY, CENTER	1							N
(A=E00875)											
22	3	119129-77210	SEAL, OIL	1							
22-1	3	121254-77210	SEAL, OIL	1							N
(A=E00875)											
22-2	3	119129-77210	SEAL, OIL	1							N
(A=E01475)											
23	3	119129-77220	BEARING, NEEDLE	1							
23-1	3	121254-77620	BEARING, NEEDLE	1							N
(A=E00875)											
23-2	3	119129-77220	BEARING, NEEDLE	1							N
(A=E01475)											
24	2	119129-77610	SHAFT ASSY, GEAR	1							
24-1	2	121254-77610	SEAL, OIL	1							N
(A=E00875)											
25	3	119129-77620	INNER	1							
25-1	3	121254-77650	INNER	1							N
(A=E00875)											
26	2	119129-77630	PINION ASSY	1							
27	2	119129-77640	SWITCH ASSY, MAGNETIC	1							
28	2	119129-77650	CASE ASSY, GEAR	1							
29	3	119129-77660	BEARING, METAL	1							

Remarks

(1) NOT ILLUSTRATED.

Fig.18. STARTING MOTOR

U11090-71110
D19129-98100



x-MARK PARTS : NOT SOLD SEPARATELY

(A)=4TN100L-FA
(B)=
(C)=

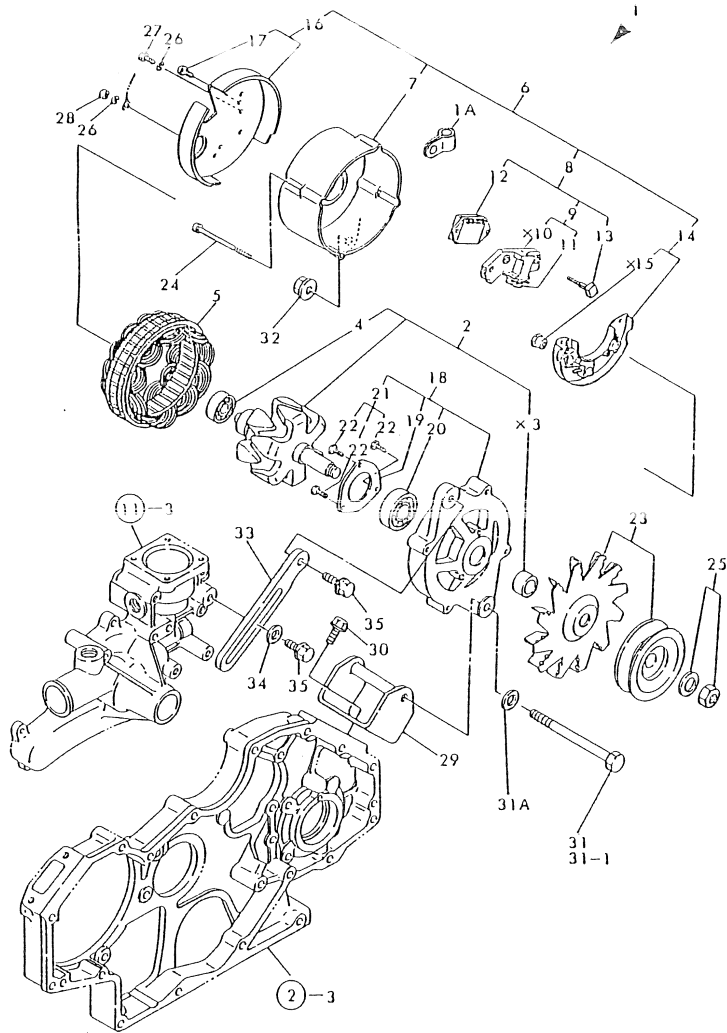
(D)=
(E)=
(F)=

No.	Lev.	Parts No.	Description	Q'ty						I	R
				(A)	(B)	(C)	(D)	(E)	(F)		
30	2	119129-77540	LEVER SET, SHIFT	1							
30-1	2	121254-77700	LEVER SET, SHIFT	1							N
(A=E00875)											
33	2	119129-77570	DUST COVER SET	1							
33-1	2	121254-77730	DUST COVER SET	1							N
(A=E00875)											
37	2	119129-77770	BOLT, THROUGH	2							
37-1	2	121254-77770	BOLT, THROUGH	2							N
(A=E00875)											
38	2	26106-060452	BOLT, M6X 45 PLATED	2							
39	2	26106-060302	BOLT, M6X 30 PLATED	3							
40	2	26116-050122	BOLT, M5X 12 PLATED	2							
40-1	2	121254-77780	SCREW 5	2							N
(A=E00875)											
40-2	2	26450-050122	BOLT, M5X 12	2							N
(A=E01475)											
41	2	26557-040122	SCREW, M4X12	2							
42	2	119129-77700	RELAY, STARTER	1							
43	2	119129-77710	WIRE-HARNESS	1							
44	2	119129-77720	WIRE-HARNESS	1							
45	2	26116-050082	BOLT, M5X 8 PLATED	2							
46	2	119129-77740	COVER, TERMINAL	3							
47	2	119129-77750	TERMINAL COVER	1							
47-1	2	121254-77810	COVER, TERMINAL	1							N
(A=E00875)											
48	1	22137-120000	WASHER, 12	3							
49	1	22217-120000	WASHER, SPRING 12	3							
50	1	26116-120352	BOLT, M12X 35 PLATED	3							
51	1	119129-77000	COVER	1							W 1
(A=E00592)											
52	1	22117-080000	WASHER, 8	2							W 1
(A=E00592)											

Remarks
(1) NOT ILLUSTRATED.

Fig.19. GENERATOR

019129-77200
019100-77300



*MARK PARTS : NOT SOLD SEPARATELY

(A)=4TN100L-FA

(B)=

(C)=

(D)=

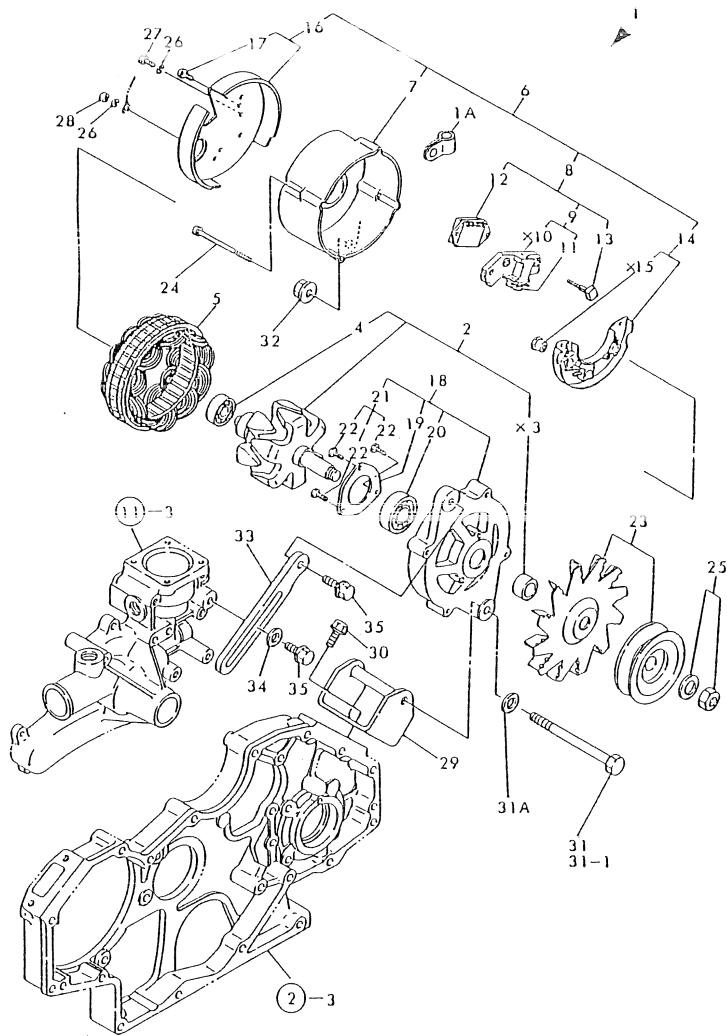
(E)=

(F)=

No.	Lev.	Parts No.	Description	Q'ty						I	R
				(A)	(B)	(C)	(D)	(E)	(F)		
1	1	119129-77200	GENERATOR 24V-25A	1							
1-1	1	119129-77201	GENERATOR	1							N
(A=E01376)											
1-2	1	119129-77202	GENERATOR	1							N
(A=E01507)											
1A	2	119129-77260	CLAMP	1							W
(A=E01507)											
2	2	119129-77300	ROTOR ASSY	1							
2-1	2	119129-77301	ROTOR ASSY.(NON-ASB.	1							N
(A=E01507)											
4	3	119129-77320	BALL BEARING	1							Z
(A=E01507)											
5	2	119129-77960	STATOR ASSY	1							
6	2	119129-77330	REAR COVER ASSY	1							
6-1	2	119129-77331	COVER ASSY, REAR	1							N
(A=E01376)											
7	3	119129-77340	REAR COVER	1							
7-1	3	119129-77341	COVER, REAR	1							N
(A=E01376)											
8	3	119129-77350	BRUSH ASSY,REGULATOR	1							
9	4	119129-77380	BUSH ASSY	2							
11	4	119129-77810	BUSH SET	2							
12	4	119129-77820	REGULATOR ASSY, I.C.	1							
13	4	119129-77940	BOLT(M5	2							
13-1	4	124080-77520	BOLT M5	2							N
(A=E00788)											
14	3	119129-77360	DIODE ASSY	1							
16	3	119129-77370	COVER	1							
17	4	26116-050122	BOLT, M5X 12 PLATED	3							
17-1	4	26023-050102	SCREW, M5X10	3							N
(A=E00788)											
18	2	119129-77840	COVER ASSY, FRONT	1							
19	3	119129-77870	RETAINER, BEARING	1							
20	3	119129-77850	BALL BEARING	1							
21	2	119129-77930	SCREW KIT	1							
22	3	26116-050122	BOLT, M5X 12 PLATED	3							
22-1	3	26116-050142	BOLT, M5X 14 PLATED	3							N
(A=E00788)											
22-2	3	26022-050122	SCREW, M5X12	3							N
(A=E01475)											
23	2	119129-77880	PULLEY ASSY	1							
24	2	119129-77890	BOLT, THROUGH	4							
25	2	119129-77900	NUT ASSY, PULLEY	1							
26	2	22217-050000	WASHER, SPRING 5	2							
27	2	26116-050122	BOLT, M5X 12 PLATED	1							
27-1	2	26116-050102	BOLT, M5X 10 PLATED	3							N
(A=E00788)											
27-2	2	26023-050102	SCREW, M5X10	3							N
(A=E01475)											
27-3	2	26116-050122	BOLT, M5X 12 PLATED	1							N
(A=E00788)											

Fig.19. GENERATOR

019129-77200
019100-77300



*MARK PARTS : NOT SOLD SEPARATELY

(A)=4TN100L-FA

(B)=

(C)=

(D)=

(E)=

(F)=

No.	Lev.	Parts No.	Description	Q'ty						I	R
				(A)	(B)	(C)	(D)	(E)	(F)		
28	2	26756-050002	NUT, LOCK M5	1							
29	1	119000-77250	BRACKET, GENERATOR	1							
30	1	26106-080202	BOLT, M8X 20 PLATED	2							
31	1	26106-101152	BOLT, M10X115 PLATED	1							
31-1	1	26116-101202	BOLT, M10X120 PLATED	1							S
(A=E00144)											
31A	1	22137-100000	WASHER, 10	1							W
(A=E00144)											
32	1	26366-100002	NUT, M10	1							
33	1	121522-77330	ADJUSTER	1							
34	1	106100-55800	WASHER	1							W
(A=E00144)											
34-1	1	121236-77340	SPACER	1							N
(A=E01507)											
35	1	26106-080202	BOLT, M8X 20 PLATED	2							
35-1	1	26106-080222	BOLT, M8X 22 PLATED	2							N
(A=E01507)											

Fig.20. GASKET SET(CYLINDER BLOCK)

(A)=4TN100L-FA

(B)=

(C)=

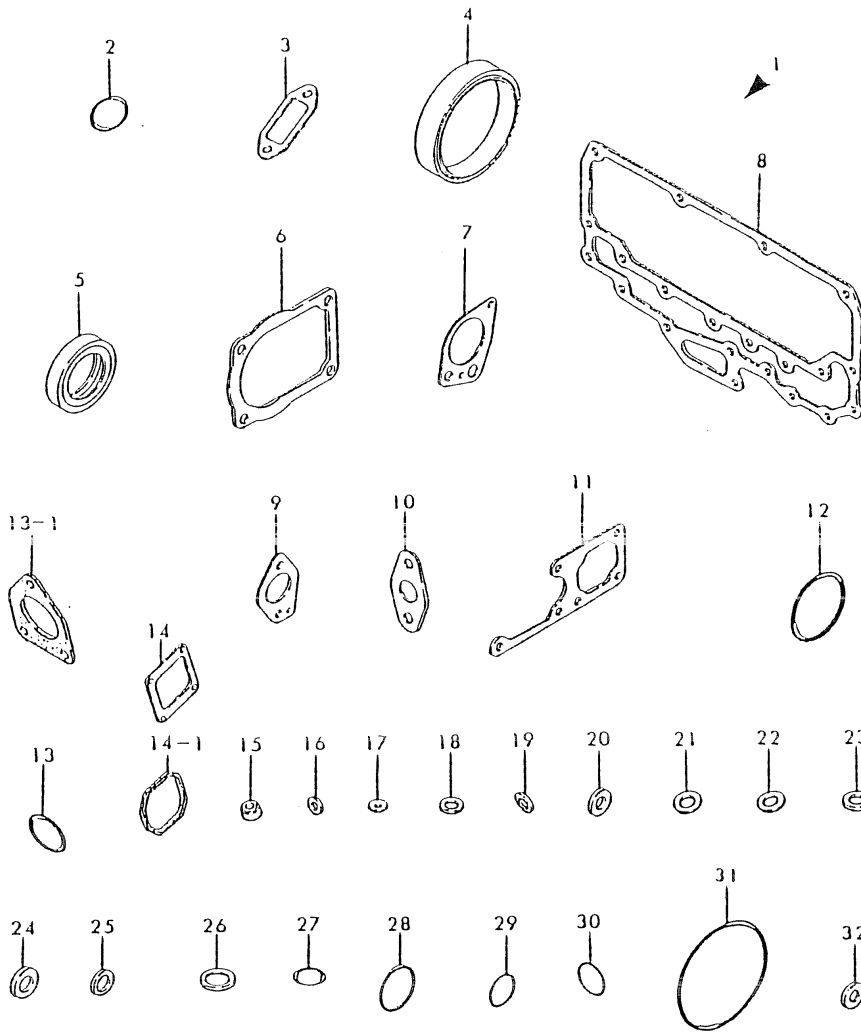
(D)=

(E)=

(F)=

Q'ty

I R



No.	Lev.	Parts No.	Description	(A)	(B)	(C)	(D)	(E)	(F)	I	R
1	1	719129-99010	GASKET SET, BLOCK	1							
1-1	1	719129-99011	GASKET SET, BLOCK	1							N
(A=E01507)											
2	2	121420-01760	O-RING	1							
2-1	2	24311-000320	O-RING, 1AP32.0	1							N
(A=E01507)											
3	2	119000-01770	GASKET	1							
3-1	2	119000-01771	GASKET	1							N
(A=E01507)											
4	2	124411-01780	SEAL, HTC95X115X12	1							
5	2	121850-01800	SEAL, OIL	1							Z
(A=E01507)											
6	2	124610-01861	GASKET	2							
6-1	2	124610-01862	GASKET	2							N
(A=E01507)											
7	2	119000-32020	GASKET, PUMP	1							
8	2	119000-33020	GASKET	1							
8-1	2	119000-33021	GASKET	1							N
(A=E01507)											
9	2	119000-33040	GASKET	1							
9-1	2	119000-33041	GASKET	1							N
(A=E01507)											
10	2	121952-33070	GASKET, COOLER	2							
10-1	2	121952-33071	GASKET, COOLER	2							N
(A=E01507)											
11	2	119000-42020	GASKET, WATER PUMP	1							
11-1	2	119000-42021	GASKET, WATER PUMP	1							N
(A=E01507)											
12	2	124410-51960	O-RING	1							
13	2	121820-52260	O-RING	1							
13-1	2	124410-51860	GASKET	1							N
(A=E01475)											
13-2	2	124410-51861	GASKET	1							N
(A=E01507)											
14	2	119000-61070	GASKET	1							
14-1	2	120323-61070	GASKET	1							S
(A=E00592)											
15	2	148616-61650	SEAL, VC081404	1							
16	2	23414-080000	GASKET, 8X1.0	2							
17	2	23414-080000	GASKET, 8X1.0	1							
18	2	23414-120000	GASKET, 12X1.0	4							
18-1	2	43400-500450	SEAL WASHER 12S	4							N
(A=E01507)											
19	2	23414-120000	GASKET, 12X1.0	2							
19-1	2	43400-500450	SEAL WASHER 12S	2							N
(A=E01507)											
20	2	23414-120016	GASKET, 12X1.0	2							
20-1	2	43400-500450	SEAL WASHER 12S	2							N
(A=E01507)											
21	2	23414-140000	GASKET, 14X1.0	3							
21-1	2	43400-500470	SEAL WASHER 14S	3							N

Fig.20. GASKET SET(CYLINDER BLOCK)

(A)=4TN100L-FA

(B)=

(C)=

(D)=

(E)=

(F)=

Qty

No.	Lev.	Parts No.	Description	(A)	(B)	(C)	(D)	(E)	(F)	I	R
(A=E01507)											
22	2	23414-140000	GASKET, 14X1.0	2							
22-1	2	43400-500470	SEAL WASHER 14S	2							N
(A=E01507)											
23	2	23414-140000	GASKET, 14X1.0	2							
23-1	2	43400-500470	SEAL WASHER 14S	2							N
(A=E01507)											
24	2	23414-160000	GASKET, 16X1.0	1							
25	2	23414-160021	GASKET, 16X1.0	1							
25-1	2	43400-500500	SEAL WASHER 16	1							N
(A=E00523)											
26	2	23414-180000	GASKET, 18X1.0	2							
27	2	24311-000220	O-RING, 1AP22.0	1							
28	2	24311-000360	O-RING, 1AP36.0	1							
29	2	24341-000240	O-RING, 1AS24.0	1							
30	2	24341-000240	O-RING, 1AS24.0	1							
31	2	24341-001350	O-RING, 1AS135.0	1							
32	2	43400-500420	SEAL WASHER 8	1							W

(A=E00523)

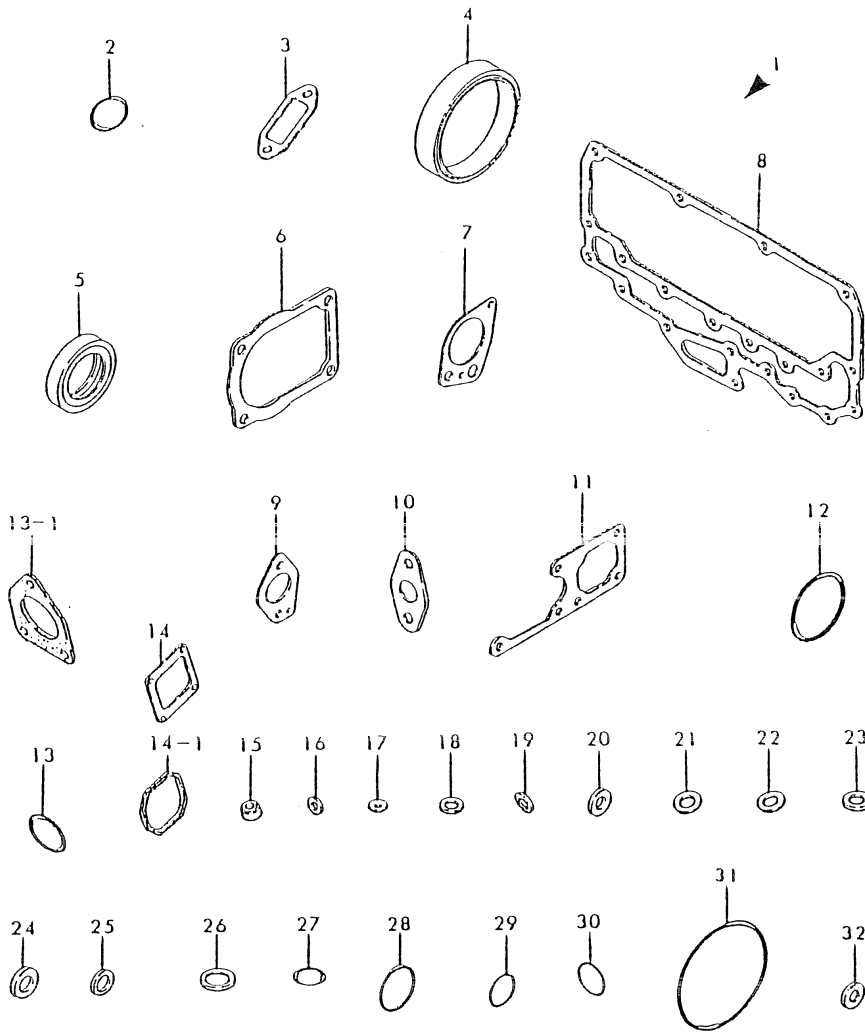
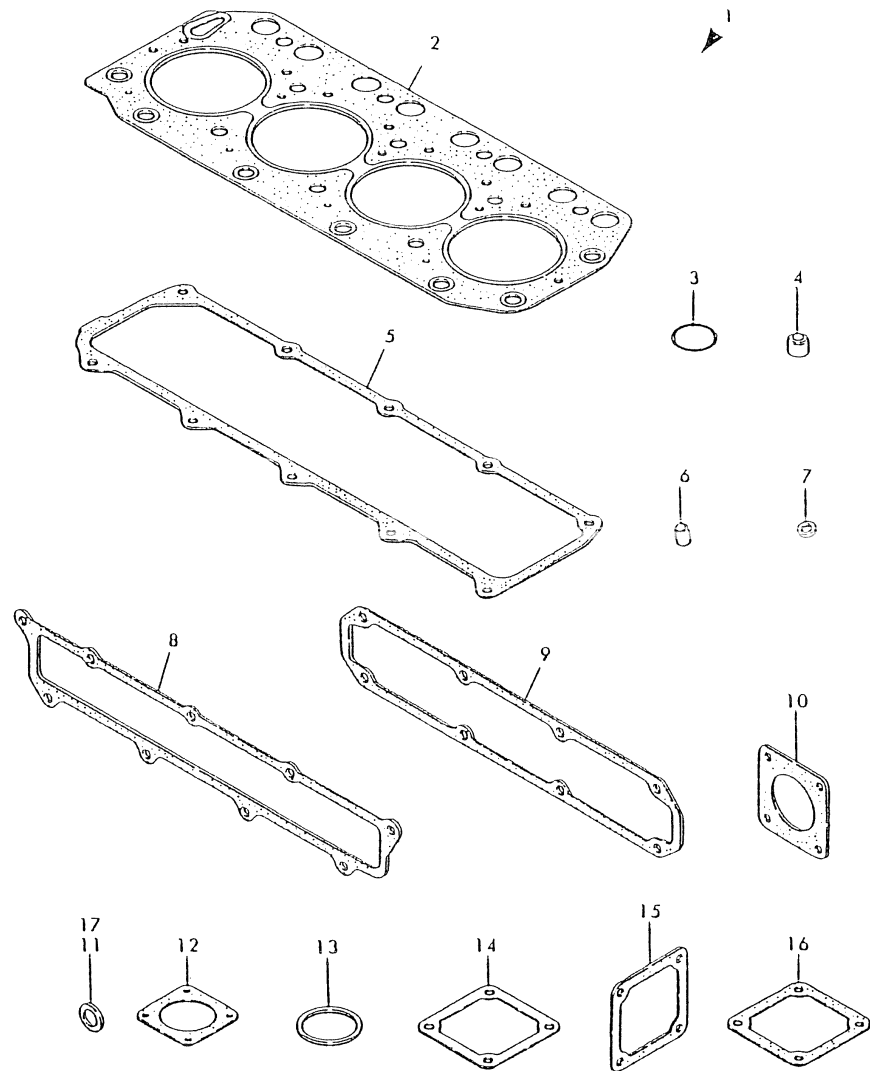


Fig.21. GASKET SET(CYLINDER HEAD)



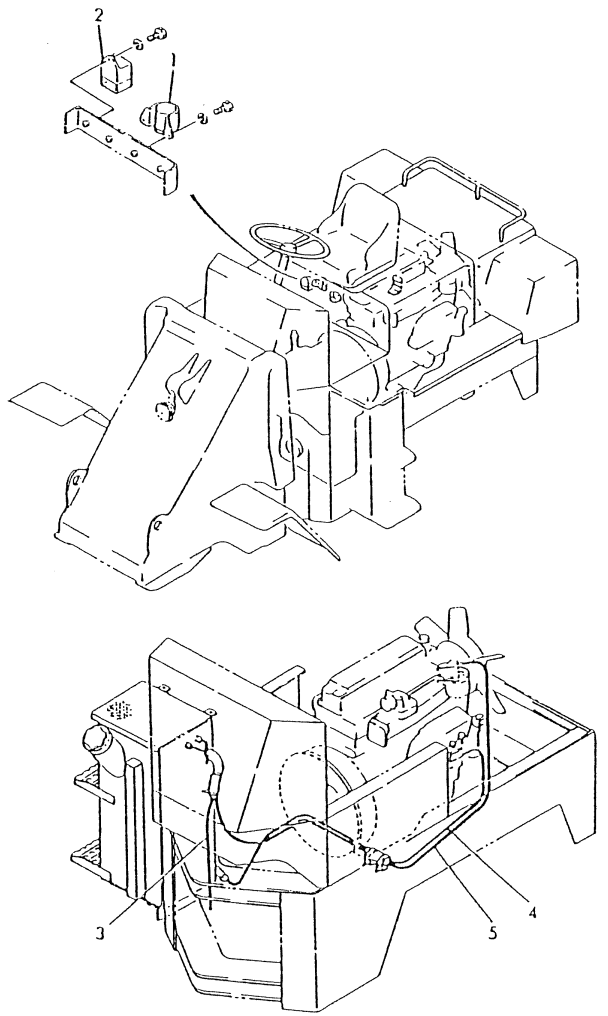
(A)=4TN100L-FA
(B)=
(C)=

(D)=
(E)=
(F)=

No.	Lev.	Parts No.	Description	Q'ty						I	R
				(A)	(B)	(C)	(D)	(E)	(F)		
1	1	719129-99020	GASKET SET, HEAD	1							
1-1	1	719129-99021 (A=E01507)	GASKET SET, HEAD	1							N
2	2	119100-01310	GASKET, HEAD T=1.3	1							
2-1	2	119100-01311 (A=E01317)	GASKET, HEAD T=1.3	1							N
2-2	2	119100-01340 (A=E01507)	GASKET, HEAD T=1.3	1							N
3	2	121420-01760	O-RING	1							
3-1	2	24311-000320 (A=E01507)	O-RING, 1AP32.0	1							N
4	2	121850-11150	SEAL, VALVE STEM	8							
5	2	119100-11360	GASKET, BONNET	1							
5-1	2	119100-11320 (A=E01317)	GASKET, BONNET	1							N
6	2	119625-11870	PROTECTOR, NOZZLE	4							
7	2	119625-11880	SEAT, NOZZLE	4							
8	2	119100-12110	GASKET, MANIFOLD	1							
8-1	2	119100-12111 (A=E00875)	GASKET, MANIFOLD	1							N
8-2	2	119100-12112 (A=E01507)	GASKET, MANIFOLD	1							N
9	2	119100-13200	GASKET	1							
10	2	129400-13200	GASKET, SILENCER	1							
10-1	2	129400-13201 (A=E01507)	GASKET, SILENCER	1							N
11	2	124465-44950	GASKET, 16	2							
12	2	121850-49540	GASKET, THERMOSTAT	1							
13	2	121850-49550	GASKET, THERMOSTAT	1							
14	2	119129-77020	GASKET	1							
15	2	121850-77020	GASKET	1							
15-1	2	121850-77021 (A=E01507)	GASKET	1							N
16	2	121850-77020	GASKET	1							
16-1	2	121850-77021 (A=E01507)	GASKET	1							N
17	2	124465-44950 (A=E01507)	GASKET, 16	1							W

Fig.22. ACCESSORY PART

019129-98100



(A)=4TN100L-FA
(B)=
(C)=

(D)=
(E)=
(F)=

No.	Lev.	Parts No.	Description	Q'ty						I	R
				(A)	(B)	(C)	(D)	(E)	(F)		
1	1	119129-77910	RELAY, MAGNETIC	1							
2	1	119129-77920	TIMER	1							
3	1	171058-59010	PIPE, FUEL	1							
4	1	121256-59572	PIPE, FUEL OIL	1							
5	1	121576-59570	PIPE, FUEL L=2650	1							

Parts No. Index

Parts No.	Fig. No.	Ref. No.
101304-59020	17	1 -1 18 -1
103854-59191	17	3
103854-59201	17	4
104264-59020	17	1 18
105025-59530	17	7
105025-59760	17	8
106100-55800	8	16 A
	19	34
114250-53080	16	5
114250-53120	16	7
114250-53130	16	8
114250-53140	16	9
114250-53210	16	10 10 -1
114250-53400	16	11
119000-01200	1	38
119000-01590	2	16 A
119000-01760	2	6
119000-01770	2	8 20 3
119000-01771	2	8 -1
	20	3 -1
119000-01840	1	11
119000-01930	2	21
119000-02020	1	12
119000-02410	1	5
119000-02450	8	2
119000-07200	6	39
119000-11110	6	14
119000-11230	6	27 -1
119000-11260	6	30
119000-11270	6	31
119000-11280	6	32
119000-11290	6	33
119000-11810	6	7
119000-14100	8	3
119000-14200	8	6
119000-22000	10	1
119000-22300	10	9
119000-23910	10	13
119000-25050	1	21
119000-25060	8	11 -1
119000-25100	8	9
119000-25900	8	13
119000-25910	8	14
119000-25920	8	15
119000-25930	8	11
119000-32000	4	21

Parts No.	Fig. No.	Ref. No.
119000-32001	4	21 -1
119000-32020	4	37
	20	7
119000-32081	4	23
119000-32082	4	23 -1
119000-33020	12	3
	20	8
119000-33021	12	3 -1
	20	8 -1
119000-33030	12	4
119000-33040	12	5
	20	9
119000-33041	12	5 -1
	20	9 -1
119000-33050	12	6
119000-35140	1	36
119000-39650	1	23
119000-42020	11	20
	20	11
119000-42021	11	20 -1
	20	11 -1
119000-42050	11	4
119000-42051	11	4 -1
119000-42120	11	5
119000-42121	11	5 -1
119000-42140	11	6
119000-42141	11	6 -1
119000-42150	11	7
119000-42151	11	7 -1
119000-42200	11	8
119000-42201	11	8 -1
119000-42240	11	9 -1
119000-42260	11	10
119000-42261	11	10 -1
119000-48170	11	29
119000-51050	13	5
119000-51100	13	12
119000-51101	13	12 -1
119000-51250	13	25
119000-51410	13	35
119000-51900	13	64
119000-52000	15	1 -1
119000-52100	15	7 -1
119000-53000	16	2
119000-55600	17	39
119000-59550	17	22
119000-59560	17	23
119000-61000	14	2 -1
119000-61060	14	6
119000-61070	14	7

Parts No.	Fig. No.	Ref. No.
119000-61070	20	14
119000-61400	14	27
119000-61470	14	56
119000-61700	14	98
119000-77250	19	29
119005-35100	4	40 -1
119006-03090	5	12
119006-42000	11	2
119006-42001	11	2 -1
119006-59110	17	2 -1
119006-59910	17	9
119100-01310	1	39
	21	2
119100-01311	1	39 -1
	21	2 -1
119100-01340	1	39 -2
	21	2 -2
119100-01640	3	1 -1
119100-01980	1	40
119100-11080	6	4
119100-11090	6	5
119100-11240	6	24
119100-11250	6	29
119100-11320	5	8 A
	21	5 -1
119100-11360	5	15
	21	5
119100-12110	7	6
	21	8
119100-12111	7	6 -1
	21	8 -1
119100-12112	7	6 -2
	21	8 -2
119100-12120	7	3
119100-13200	7	14
	21	9
119100-14000	8	1
119100-34800	4	16
119100-35100	4	40
119100-39350	4	41
119100-51000	13	2 -1
119100-51080	13	9
119100-51081	13	9 -1
119100-51090	13	10
119100-51091	13	10 -1
119100-59810	16	22
119100-59820	16	23
119100-59830	16	24
119100-59840	16	25
119100-61440	14	31

Parts No.	Fig. No.	Ref. No.
119100-61440	14	96
119129-01550	4	5 -1
119129-01600	9	16
119129-11520	5	1 -2
119129-21590	9	12
119129-21650	9	8
119129-35090	4	17
119129-42250	11	23
119129-44740	11	25
119129-44760	11	26
119129-77000	18	51
119129-77020	7	17
	21	14
119129-77190	18	21
119129-77200	19	1
119129-77201	19	1 -1
119129-77202	19	1 -2
119129-77210	18	22
	22	-2
119129-77220	18	23
	23	-2
119129-77260	19	1 A
119129-77300	19	2
119129-77301	19	2 -1
119129-77320	19	4
119129-77330	19	6
119129-77331	19	6 -1
119129-77340	19	7
119129-77341	19	7 -1
119129-77350	19	8
119129-77360	19	14
119129-77370	19	16
119129-77380	19	9
119129-77400	18	2
119129-77410	18	3
119129-77420	18	4
119129-77430	18	13
119129-77440	18	14
119129-77450	18	15
119129-77460	18	16
119129-77470	18	18
119129-77480	18	19
119129-77490	18	20
119129-77500	7	18
119129-77510	18	5
119129-77520	7	19
119129-77530	18	17
119129-77540	18	30
119129-77570	18	33
119129-77610	18	24

Parts No. Index

Parts No.	Fig. No.	Ref. No.
119129-77620	18	25
119129-77630	18	26
119129-77640	18	27
119129-77650	18	28
119129-77660	18	29
119129-77670	18	10
119129-77700	18	42
119129-77710	18	43
119129-77720	18	44
119129-77740	18	46
119129-77750	18	47
119129-77770	18	37
119129-77810	19	11
119129-77820	19	12
119129-77840	19	18
119129-77850	19	20
119129-77870	19	19
119129-77880	19	23
119129-77890	19	24
119129-77900	19	25
119129-77910	22	1
119129-77920	22	2
119129-77930	19	21
119129-77940	19	13
119129-77960	19	5
119140-92610	12	1 -1
119260-34810	4	7 -1
119620-49290	1	24
119620-49310	1	26
119625-11870	6	19
	21	6
119625-11880	6	20
	21	7
119625-11900	6	21
119660-42310	11	11 -1
120323-61060	14	6 -1
120323-61070	14	7 -1
	20	14 -1
120323-61470	14	34
		97
121023-01550	2	18
121236-77340	19	34 -1
121250-39450	12	17
121250-49110	17	9 -1
121254-77210	18	22 -1
121254-77410	18	3 -1
121254-77420	18	4 -1
121254-77430	18	5 -1
121254-77510	18	13 -1
121254-77530	18	15 -1

Parts No.	Fig. No.	Ref. No.
121254-77590	18	20 -1
121254-77600	18	21 -1
121254-77610	18	24 -1
121254-77620	18	23 -1
121254-77650	18	25 -1
121254-77700	18	30 -1
121254-77730	18	33 -1
121254-77770	18	37 -1
121254-77780	18	40 -1
121254-77810	18	47 -1
121256-59572	22	4
121420-01760	2	7
	5	3
	20	2
	21	3
121450-42310	11	11
121520-34810	4	7
121522-77330	19	33
121576-59570	22	5
121750-59910	17	10
		11
121820-52020	15	2
121820-52040	15	4
121820-52050	15	5
121820-52070	15	6
121820-52110	15	8
121820-52140	15	11
121820-52170	15	14
121820-52180	15	15
121820-52190	15	16
121820-52200	15	17
121820-52210	15	18
121820-52230	15	19
121820-52260	15	20
	20	13
121820-52300	15	22 A
121820-52400	15	21
121820-52510	15	22
121850-01800	2	17 A
		20
	20	5
121850-01900	8	12
121850-01920	2	4
		13 -1
121850-11100	6	13
121850-11120	6	15
121850-11150	6	16
	21	4
121850-11180	6	17
121850-11800	6	6

Parts No.	Fig. No.	Ref. No.
121850-21130	9	11
121850-21200	9	3
121850-21290	9	4
121850-21660	9	9
121850-21680	9	10
121850-21920	9	5
121850-23200	10	14
121850-49530	11	30
121850-49540	11	31
	21	12
121850-49550	11	32
	21	13
121850-51700	13	60
121850-61600	14	43 A
		46
121850-77020	7	4
		23
	21	15
		16
121850-77021	7	4 -1
		23 -1
	21	15 -1
		16 -1
121855-59111	17	2
121855-59880	17	10 -1
		11 -1
121952-33070	12	7
	20	10
121952-33071	12	7 -1
	20	10 -1
121952-51900	13	65
122710-51050	13	6
122710-51350	13	33
122710-51920	13	68
123385-82200	6	8
123472-59090	16	21 A
123560-42421	11	24
124060-59380	17	5
124066-59100	17	19
124080-77520	19	13 -1
124160-01750	2	5
	5	2
124160-01751	2	5 -1
	5	2 -1
124250-11190	6	18
124250-42240	11	9
124410-51860	13	63
	15	25
	20	13 -1
124410-51861	13	63 -1

Parts No.	Fig. No.	Ref. No.
124410-51861	15	25 -1
	20	13 -2
124410-51960	8	16
	13	8
	20	12
124411-01780	3	3
	20	4
124465-44950	11	18
		35
	21	11
		17
124610-01851	2	9
		19
124610-01861	2	10
		22
	20	6
124610-01862	2	10 -1
		22 -1
	20	6 -1
124617-77010	18	1
124617-77011	18	1 -1
124766-49160	1	49
124766-59050	1	50
127410-21480	9	14
128400-51300	13	28
129100-01580	1	27
		28
		29
	2	11
129100-59850	17	27
129100-59951	17	26
129100-59970	17	31
129100-61930	14	55
129150-03100	5	13
129150-11230	6	27
129150-11750	6	28
129150-14400	8	7
129150-49360	11	34
129150-59580	17	24
129155-51270	13	26
129155-51280	13	27
129155-61090	14	8
129155-61450	14	32
129155-61460	14	32 -2
129255-59580	17	25
129400-13200	7	22
	21	10
129400-13201	7	22 -1
	21	10 -1
129470-55610	17	40

Parts No. Index

Parts No.	Fig. No.	Ref. No.
129470-59530	17	21
129470-61450	14	32 -1
129495-59300	17	20
129550-59120	16	18
129795-11750	9	17
135400-01790	1	10
135602-34390	1	22
137600-53900	13	71
144626-51090	13	11
144626-51950	13	70
		70 -1
148616-61650	14	47
	20	15
171051-01921	1	4
171058-59010	22	3
171301-01640	4	2
194990-22050	7	13
21577-060202	11	13
21577-080162	11	14
22117-050000	14	58
22117-080000	18	52
22117-120000	4	10
22137-080000	14	59
		59 -1
22137-100000	19	31 A
22137-120000	18	48
22190-060000	13	72
22217-050000	14	62
		62 -1
	19	26
22217-060000	13	73
	14	60
		60 -1
	15	23
22217-100000	14	61
22217-120000	18	49
22217-180000	8	17
22242-000180	6	34
22252-000340	10	10
22272-000040	14	43 B
		63
		63 -1
22272-000080	14	65
22351-020012	14	42 -1
22351-020016	14	42
22351-030010	1	30
22351-030016	14	52
		66
22351-050012	8	18
22351-050020	14	68

Parts No.	Fig. No.	Ref. No.
22351-080016	1	31
22360-050000	14	69
22372-050000	14	69 -1
22417-120120	14	69 A
22451-060000	14	77
22492-060262	14	57
22492-060362	14	57 -1
22512-070140	8	5
	9	6
22621-230030	13	19
23000-013000	17	12
		34
23000-022000	5	14
23414-080000	4	42
	17	35
	20	16
		17
23414-100000	1	32
23414-120000	17	13
		36
	20	18
		19
23414-120016	14	71
	20	20
23414-140000	1	33
	17	14
		15
		37
	20	21
		22
		23
23414-160000	12	13
	20	24
23414-160021	14	72
	20	25
23414-170000	12	14 -1
23414-180000	12	14
	20	26
23414-220029	13	74
23857-030000	1	34
	4	43
23857-060000	17	16
23857-080000	17	17
23871-010000	1	6
23871-020000	1	35
	11	12
23871-030000	1	7
	4	8
	6	9
	11	15

Parts No.	Fig. No.	Ref. No.
23871-030000	12	15
23887-080002	14	72 A
		72 A-1
		99
23887-160002	11	19
		36
	12	16
	14	73
23980-730240	17	8 -1
24107-062034	9	15
24190-080001	17	32
24311-000110	14	74
24311-000220	4	18
	20	27
24311-000320	2	7 -1
	5	3 -1
	20	2 -1
	21	3 -1
24311-000360	11	21
	20	28
24312-000150	13	75
24341-000080	14	75
24341-000240	2	23
	4	4
	20	29
		30
24341-000260	13	76
24341-000500	13	77
24341-001350	8	19
	20	31
26013-060162	4	35
26013-060252	4	36
26013-080162	4	19
26013-080452	1	37
26013-100202	11	27
26014-060142	11	33
26022-050122	14	76
	19	22 -2
26023-050102	19	17 -1
		27 -2
26106-060122	2	24 -1
	14	43
26106-060182	2	24
	13	78
26106-060202	13	81
26106-060222	14	78
		78 -1
26106-060302	18	39
26106-060352	14	79
26106-060452	18	38

Parts No.	Fig. No.	Ref. No.
26106-080102	17	38
26106-080142	7	5
26106-080162	1	41
	4	20
		38
	8	8
26106-080182	2	25
26106-080202	2	12
		13
		13 -2
		26
	7	7
	12	18
		19
	19	30
		35
26106-080222	19	35 -1
26106-080252	2	34
	3	4
	5	9
	8	20
26106-080302	4	11
26106-080352	4	12
	12	20
		21
26106-080402	2	27
	7	15
		20
26106-080452	2	28
		29
26106-080502	2	30
	4	39
	7	16
	12	22
26106-080552	2	31
26106-080602	11	16
26106-080652	6	36
	11	22
26106-080702	4	13
	7	8
26106-080752	2	32
26106-080852	4	14
26106-080902	2	33
	7	21
26106-081152	7	9
26106-100202	6	40
26106-100252	9	18
	17	41
26106-100302	9	19
26106-101152	19	31

Parts No. Index

Parts No.	Fig. No.	Ref. No.
26116-050082	18	45
26116-050102	14	79 A
	19	27 -1
26116-050122	18	40
	19	17
		22
		27
		27 -3
26116-050142	19	22 -1
26116-060256	14	80
26116-060356	14	81
26116-101202	19	31 -1
26116-120352	18	50
26116-120852	4	15
26216-060162	13	79
26216-060252	6	22
26216-080222	7	12
26216-080652	6	23
26366-060002	6	37
26366-080002	2	14
	6	38
	13	80
26366-100002	8	21
	19	32
26376-100002	12	23
26376-120002	14	82
26450-050122	18	40 -2
26450-080502	11	28
26557-040122	18	41
26577-060202	11	13 -1
26577-080162	11	14 -1
26606-100002	14	83 -1
26716-060002	13	82
	15	24
26716-080002	11	17
26726-080002	11	17 -1
26736-100002	14	83
26756-050002	19	28
26757-080002	14	84
26776-180002	8	22
26777-120002	14	64
27225-100140	4	9
27231-600000	1	42
27241-100000	6	35
	17	33
27241-140000	1	8
27241-160000	6	10
27241-280000	6	11
27241-400000	1	9
	6	12

Parts No.	Fig. No.	Ref. No.
43400-500390	17	6
43400-500420	2	15
	14	72 B
		72 B-1
		100
	20	32
43400-500450	14	71 -1
	17	13 -1
		36 -1
	20	18 -1
		19 -1
		20 -1
43400-500470	17	14 -1
		15 -1
		37 -1
	20	21 -1
		22 -1
		23 -1
43400-500500	14	72 -1
	20	25 -1
719000-02800	1	15
719000-02870	1	43
719000-02930	1	18
719000-02940	1	46
719000-22500	10	3
719000-22900	10	17
719000-22950	10	19
719000-23100	10	11
719000-23600	10	15
719000-23610	10	25
719000-52500	15	7
719000-52700	15	1
719100-11520	5	1 -1
719100-21700	9	1
719100-51300	13	1 -1
	14	1 -1
719129-01500	2	2
719129-01540	4	1
719129-01550	4	5
719129-01560	1	1
719129-01600	2	16
719129-01610	2	1
719129-01650	3	1
719129-11520	5	1
719129-11650	6	25
719129-11700	6	1
719129-12100	7	1
719129-13500	7	10
719129-33100	12	1
719129-42000	11	1

Parts No.	Fig. No.	Ref. No.
719129-51300	13	1
	14	1
719129-51700	13	2
719129-53100	16	1
719129-61000	14	2
719129-99010	20	1
719129-99011	20	1 -1
719129-99020	21	1
719129-99021	21	1 -1

Parts No.	Fig. No.	Ref. No.
-----------	----------	----------