

OCD10-M37403EN

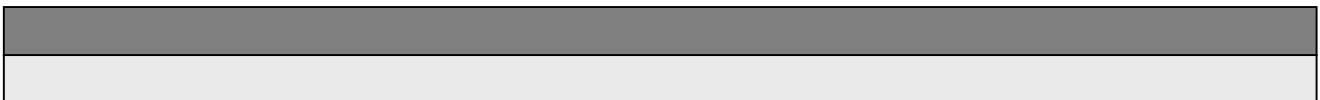
# PREFACE

1. This Parts Catalog is the 1st edition of 3TN84L-RFA Diesel Engine for FURUKAWA KIKAI.

Pub. No. : 000Y00D3743  
Published : December, 1991

2. Model name

Engine model	Vehicle		Vehicle made by
	Products	Model name	
3TN84L-RFA	WHEEL LOADER	—	FURUKAWA KIKAI



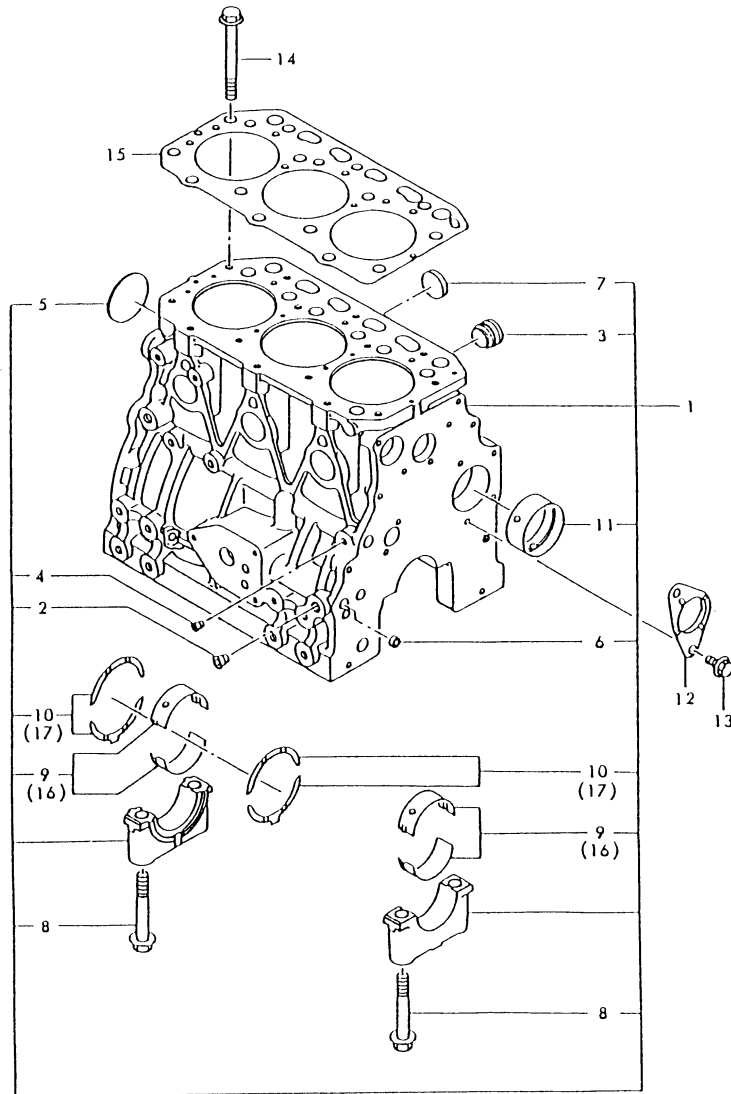
# Contents

Fig. No.	Fig. Name
ENGINE 3TN84L-RFA	
1.	CYLINDER BLOCK
2.	GEAR HOUSING
3.	FLYWHEEL HOUSING
4.	LUB. OIL SUMP
5.	BONNET
6.	CYLINDER HEAD
7.	AIR CLEANER
8.	SUCTION & EXHAUST MANIFOLD
9.	SILENCER
10.	CAMSHAFT & IDLE GEAR
11.	CRANKSHAFT & FLYWHEEL
12.	PISTON & CONNECTING ROD
13.	LUB. OIL SYSTEM
14.	LUB. OIL PIPES
15.	COOLING WATER SYSTEM
16.	THERMOSTAT
17.	COOLING WATER PIPES
18.	FUEL INJECTION PUMP
19.	FUEL INJECTION DEVICE
20.	FUEL OIL SYSTEM
21.	FUEL RETURN PIPES
22.	GOVERNOR
23.	ENGINE STOP
24.	STARTING MOTOR(COMPONENT PARTS)

Fig. No.	Fig. Name
25.	GENERATOR(COMPONENT PARTS)
26.	GASKET SET

# Fig.1. CYLINDER BLOCK

029105-01100  
 029150-02100  
 029129-02200



(A)=3TN84L-RFAVM

(B)=

(C)=

(D)=

(E)=

(F)=

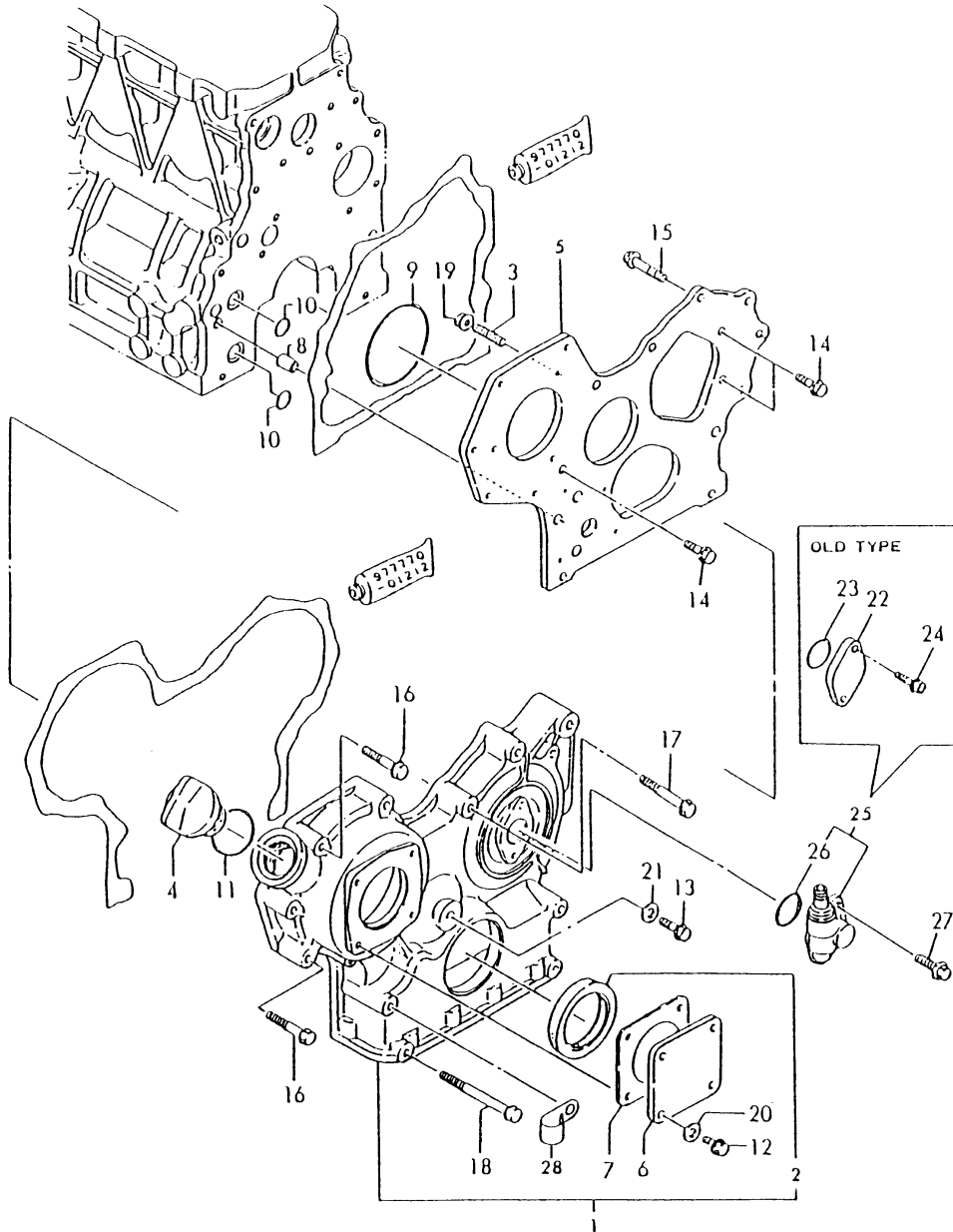
No.	Lev.	Parts No.	Description	Q'ty						I	R
				(A)	(B)	(C)	(D)	(E)	(F)		
1	1	729157-01560	BLOCK ASSY, CYLINDER	1							
2	2	124160-01910	PLUG, PT1/4	3							
3	2	171051-01921	PLUG, NPTF1	1							
4	2	23871-010000	PLUG, R01	1							
5	2	27231-500000	PLUG 50	1							
6	2	27241-120000	PLUG, 12	2							
7	2	27241-300000	PLUG 30	6							
8	2	129150-02020	BOLT, METAL CAP	8							
9	2	129150-02800	BEARING, MAIN	4							
10	2	129150-02930	BEARING, THRUST	2							
11	2	129795-02411	BUSH, CAMSHAFT	1							
12	1	129150-02450	BEARING, THRUST	1							Z
(A=EXXX)											
13	1	26106-080162	BOLT, M8X 16 PLATED	2							
14	1	129150-01200	BOLT, HEAD	14							
15	1	129157-01332	GASKET, HEAD	1							
16	1	129150-02870	BEARING, 0.25 US	4							1
17	1	129150-02940	BEARING, THRUST 0.25	2							2

Remarks

- (1) UNDER-SIZE(U.S=0.25)PART.
- (2) OVER-SIZE(O.S=0.25)PAPT.

Fig.2. GEAR HOUSING

029400-01220  
029150-91100



(A)=3TN84L-RFAVM

(B)=

(C)=

(D)=

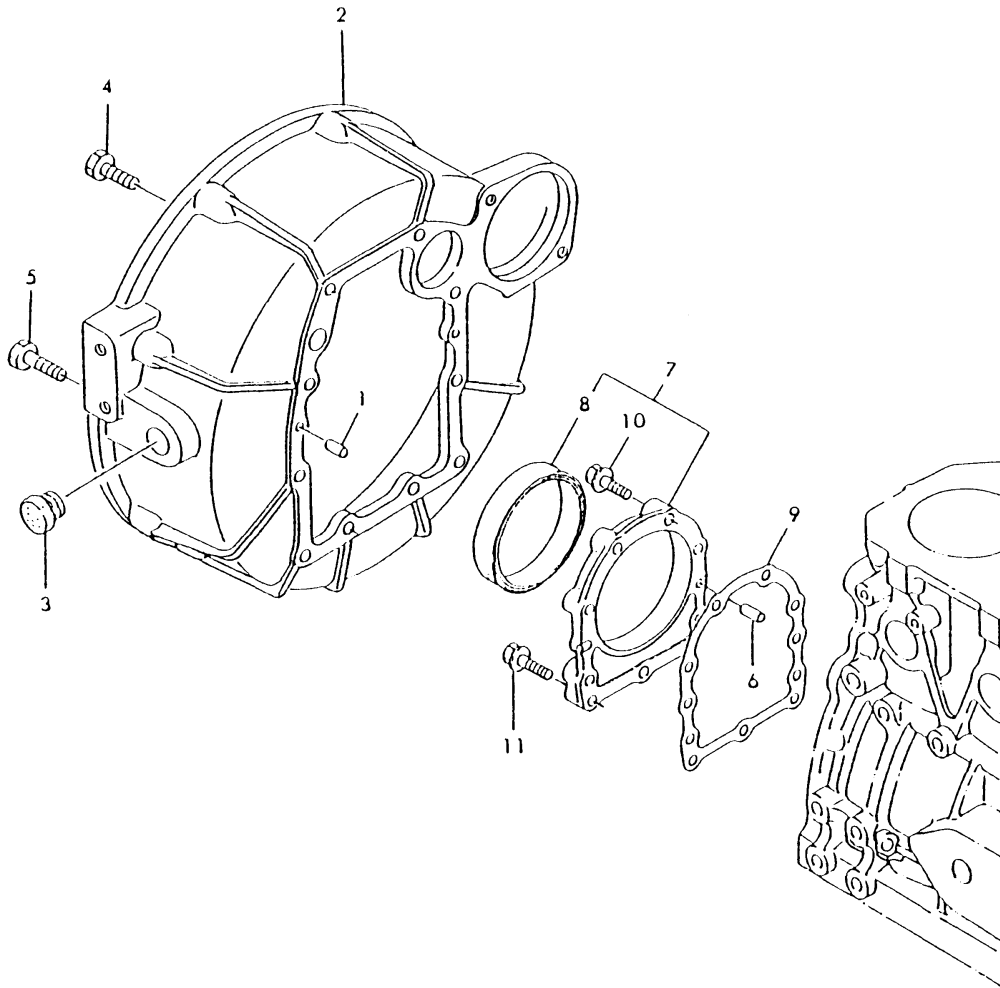
(E)=

(F)=

No.	Lev.	Parts No.	Description	Q'ty						I	R
				(A)	(B)	(C)	(D)	(E)	(F)		
1	1	719810-01500 (A=*1991.10)	CASE ASSY, GEAR	1							W
2	2	129795-01800	SEAL, OIL		1						
3	1	121450-01560	STUD, M8X22		3						
4	1	124160-01751	COVER, FILLER		1						
5	1	129400-01520	FLANGE, GEAR CASE		1						
6	1	124240-01871	COVER		1						
7	1	124240-01882	GASKET		1						
7-1	1	124240-01883	GASKET		1						N
		(A=E23653)									
8	1	129795-01950	PIPE, KNOCK L=18		2						
9	1	121850-51960	O-RING		1						
10	1	24311-000160	O-RING, 1AP16.0		2						
11	1	24311-000320	O-RING, 1AP32.0		1						
12	1	26106-080122	BOLT, M8X 12 PLATED		4						
13	1	26106-080162	BOLT, M8X 16 PLATED		1						
14	1	26106-080162	BOLT, M8X 16 PLATED		3						
15	1	26106-080202	BOLT, M8X 20 PLATED		2						
16	1	26106-080452	BOLT, M8X 45 PLATED		6						
17	1	26106-080552	BOLT, M8X 55 PLATED		3						
18	1	26106-080852	BOLT, M8X 85 PLATED		4						
19	1	26366-080002	NUT, M8		3						
20	1	43400-500410	SEAL WASHER 8		4						
21	1	43400-500410	SEAL WASHER 8		1						
22	1	121023-01550	COVER		1						Z
		(A=E07139)									
23	1	24311-000260	O-RING, 1AP26.0		1						Z
		(A=E07139)									
24	1	26106-060122	BOLT, M6X 12 PLATED		2						Z
		(A=E07139)									
25	1	129150-91400	GEAR		1						W
		(A=E07139)									
26	2	24341-000240	O-RING, 1AS24.0		1						W
		(A=E07139)									
27	1	26106-060162	BOLT, M6X 16 PLATED		2						W
		(A=E07139)									
28	1	129150-03100 (A=EXXX)	RETAINER, PIPE		1						W

Fig.3. FLYWHEEL HOUSING

029135-01300  
029100-01510



(A)=3TN84L-RFAVM

(B)=

(C)=

(D)=

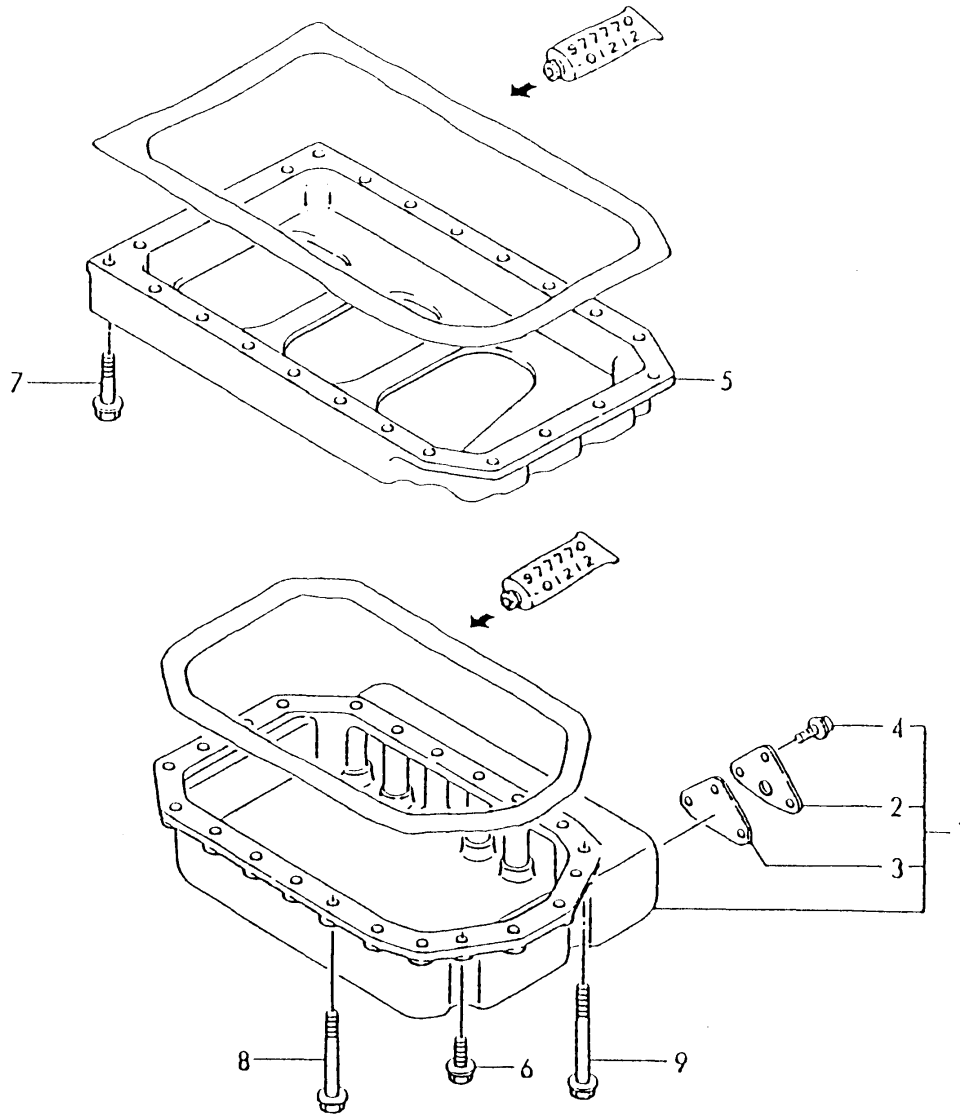
(E)=

(F)=

No.	Lev.	Parts No.	Description	Q'ty						I	R
				(A)	(B)	(C)	(D)	(E)	(F)		
1	1	129100-01580	PIN, M8X16	2							
2	1	129135-01600	HOUSING, FLYWHEEL	1							
3	1	119620-01750	CAP	1							
4	1	26206-100252	BOLT, M10X 25 PLATED	6							
5	1	26206-100302	BOLT, M10X 30 PLATED	4							
6	1	129100-01580	PIN, M8X16	2							
7	1	129100-01640	CASE ASSY, OIL SEAL	1							W
		(A=E27688)									
8	2	129795-01780	SEAL, OIL	1							
9	1	129150-01660	GASKET	1							Z
		(A=E11860)									
10	1	26106-080302	BOLT, M8X 30 PLATED	6							
11	1	26106-080352	BOLT, M8X 35 PLATED	3							

Fig.4. LUB. OIL SUMP

D29135-01400



(A)=3TN84L-RFAVM

(B)=

(C)=

(D)=

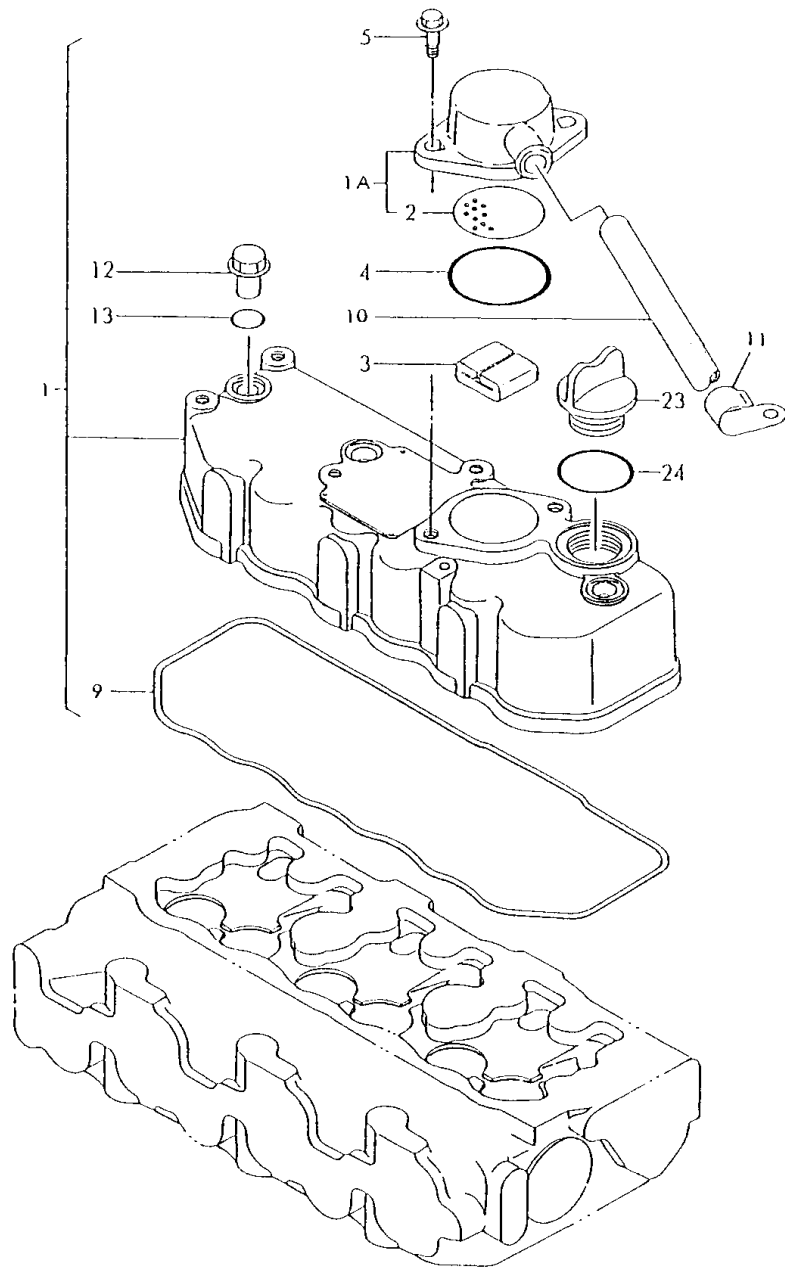
(E)=

(F)=

No.	Lev.	Parts No.	Description	Q'ty						I	R
				(A)	(B)	(C)	(D)	(E)	(F)		
1	1	729135-01540	SUMP ASSY, OIL	1							
1-1	1	129135-01770	SUMP ASSY, OIL	1							N
(A=E27688)											
2	2	171058-01630	COVER	1							
3	2	171058-01640	GASKET	1							
4	2	26106-080162	BOLT, M8X 16 PLATED	3							
5	1	129100-01730	SPACER, OIL SUMP	1							
6	1	26106-080252	BOLT, M8X 25 PLATED	6							
7	1	26106-080452	BOLT, M8X 45 PLATED	2							
8	1	26106-080602	BOLT, M8X 60 PLATED	11							
9	1	26106-081002	BOLT, M8X100 PLATED	7							

Fig.5. BONNET

U71350-03120  
D29100-11220



(A)=3TN84L-RFAVM

(B)=

(C)=

(D)=

(E)=

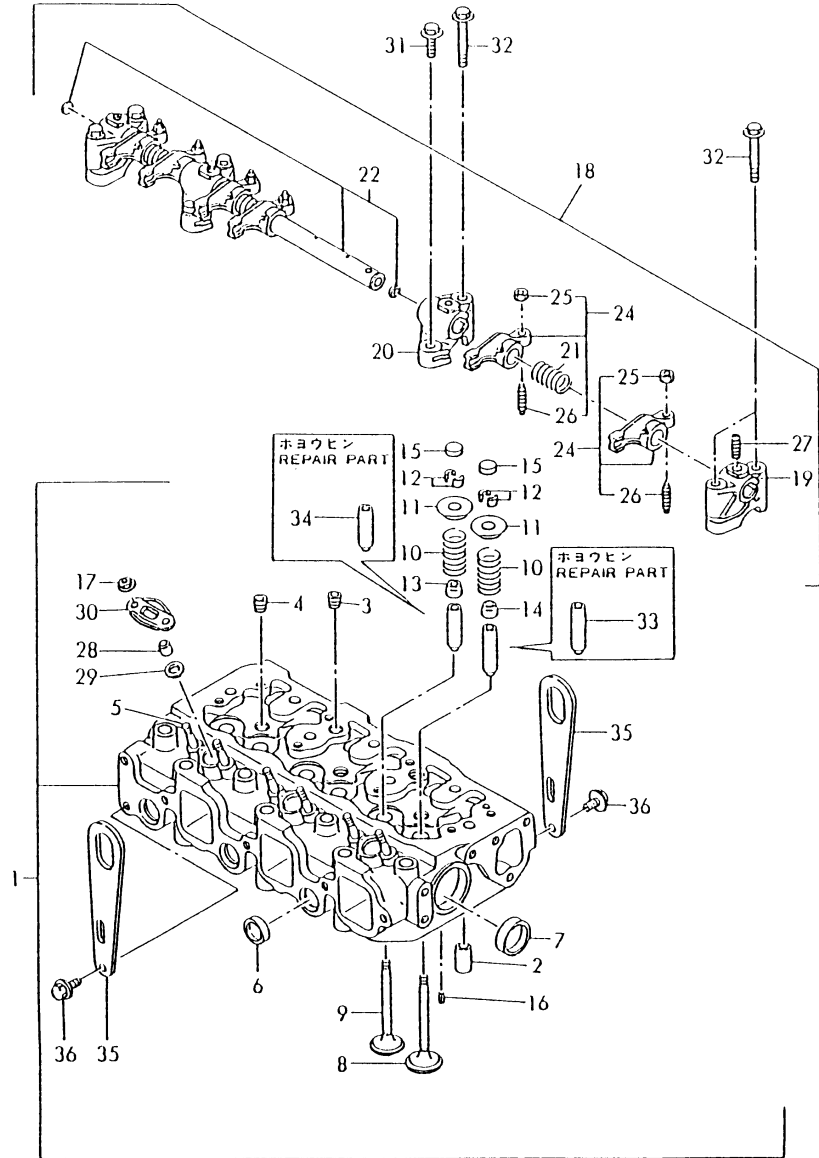
(F)=

No.	Lev.	Parts No.	Description	Q'ty						I	R
				(A)	(B)	(C)	(D)	(E)	(F)		
1	1	129100-11350	BONNET ASSY, HEAD	1							W
		(A=EXXX)									
1A	2	129150-03010	COVER ASSY	1							
2	3	129150-03080	PLATE, BAFFLE	1							
3	2	129150-03070	BAFFLE, BREATHER	1							
4	2	24341-000500	O-RING, 1AS50.0	1							
5	2	26106-080162	BOLT, M8X 16 PLATED	2							
7	2	121420-01760	O-RING	1							
9	2	129150-11310	GASKET, BONNET	1							
10	1	171350-03090	PIPE , BREATHER 900	1							
11	1	129150-03100	RETAINER, PIPE	1							Z
		(A=EXXX)									
12	1	124160-11360	KNOB	3							
13	1	24311-000120	O-RING, 1AP12.0	3							
23	1	124160-01751	COVER, FILLER	1							
24	1	24311-000320	O-RING, 1AP32.0	1							



Fig.6. CYLINDER HEAD

021000-07300  
029102-11110



(A)=3TN84L-RFAVM

(B)=

(C)=

(D)=

(E)=

(F)=

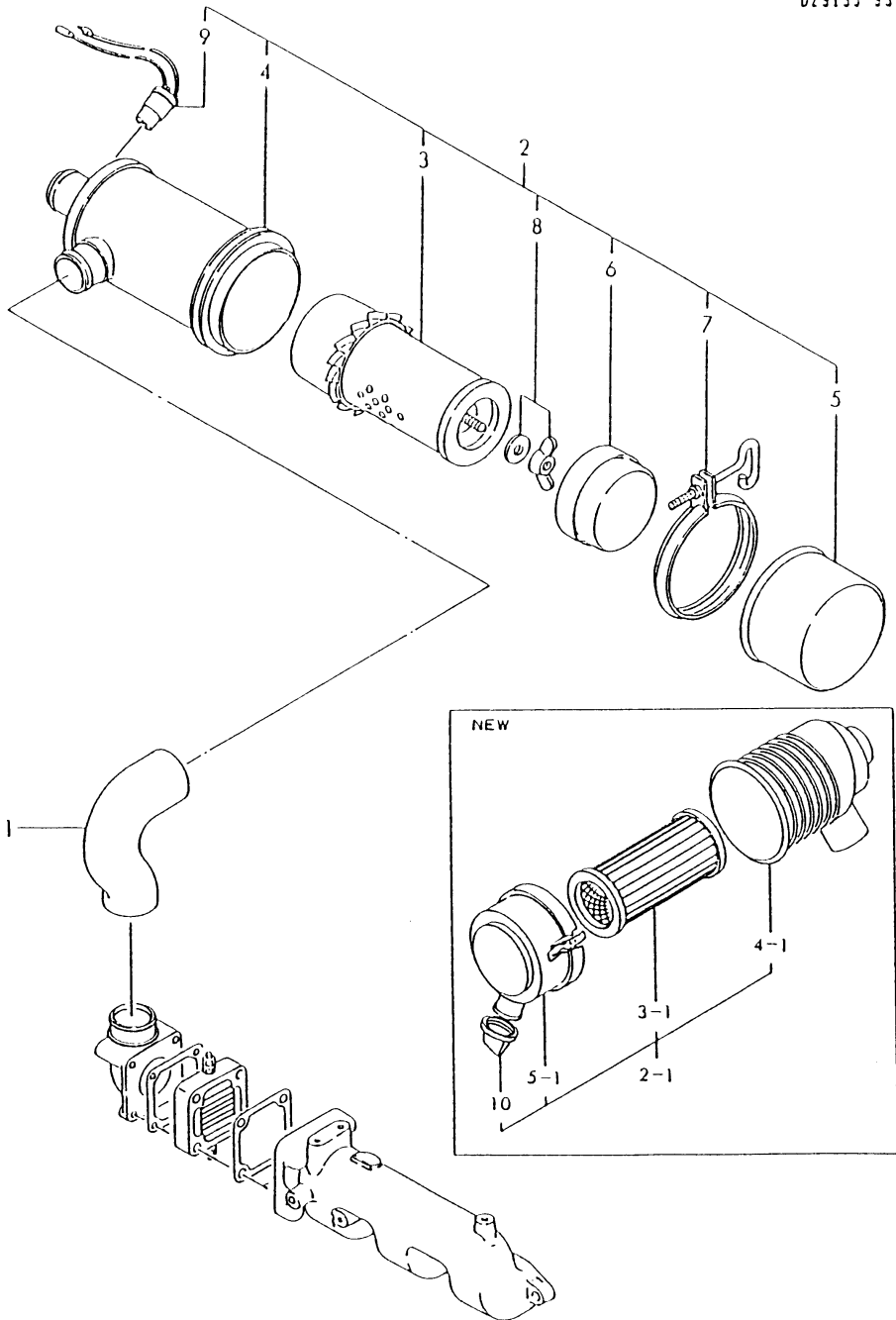
No.	Lev.	Parts No.	Description	Q'ty						I	R
				(A)	(B)	(C)	(D)	(E)	(F)		
1	1	729102-11700	HEAD ASSY, CYLINDER	1							
2	2	129150-11050	PIECE	3							
3	2	121850-11860	PLUG, PT1/4	2							
4	2	23871-030000	PLUG, R03	3							
5	2	26216-060202	STUD, M6X 20	6							
6	2	27241-220000	PLUG, 22	3							
7	2	27241-400000	PLUG, 40	2							
8	2	129100-11100	VALVE, INTAKE	3							
9	2	129100-11110	VALVE, EXHAUST	3							
10	2	129795-11120	SPRING, VALVE	6							
11	2	129795-11180	RETAINER, SPRING	6							
12	2	103338-11190	COTTER	6							
12-1	2	27310-080001	COTTER, 8	6							R
(A=EXXXXX)											
13	2	121400-11340	SEAL, VALVE STEM	3							
14	2	124460-11340	SEAL, VALVE STEM	3							
15	2	129150-11370	CAP, VALVE	6							
16	2	22351-060012	PIN, SPRING 6.0X12	2							
17	2	26366-060002	NUT, M6	6							
18	1	129155-11241	SHAFT ASSY, ROCKER	1							
19	2	129155-11260	SUPPORT, ROCKER ARM	2							
20	2	129155-11270	SUPPORT, ROCKER ARM	2							
21	2	129150-11280	SPRING	3							
22	2	129150-11290	SHAFT, ROCKER ARM	1							
24	2	729150-11651	ARM ASSY, ROCKER	6							
24-1	2	729402-11650	ARM ASSY, ROCKER	6							N
(A=E27016)											
25	3	129150-11750	NUT, M8	6							
26	3	129150-11230	SCREW, VALVE ADJUST	6							
27	2	26226-080182	STUD, M8X 18	3							
28	1	119625-11870	PROTECTOR, NOZZLE	3							
29	1	119625-11880	SEAT, NOZZLE	3							
30	1	119625-11900	RETAINER, NOZZLE	3							
31	1	26106-080252	BOLT, M8X 25 PLATED	2							
32	1	26106-080502	BOLT, M8X 50 PLATED	6							
33	1	120130-11860	GUIDE, VALVE	3							1
34	1	129150-11810	GUIDE, VALVE	3							1
35	1	124736-07900	LIFTER	2							
36	1	26106-080142	BOLT, M8X 14 PLATED	4							

Remarks

(1) REPAIR PART.

Fig.7. AIR CLEANER

029135-93100



(A)=3TN84L-RFAVM

(B)=

(C)=

(D)=

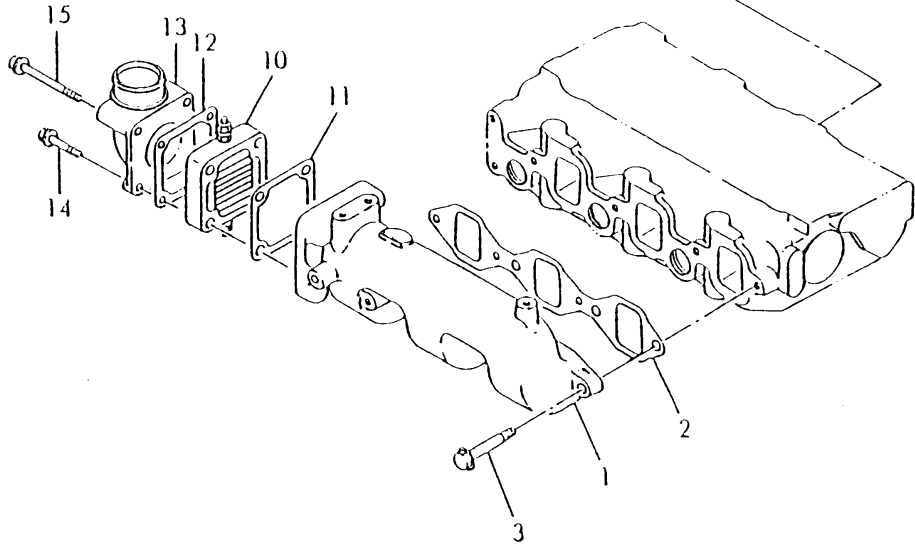
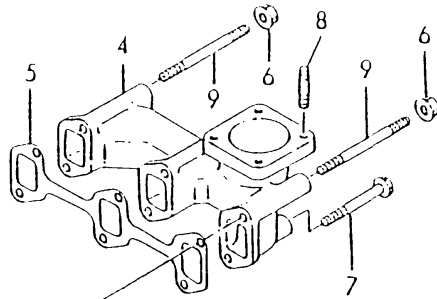
(E)=

(F)=

No.	Lev.	Parts No.	Description	Q'ty						I	R
				(A)	(B)	(C)	(D)	(E)	(F)		
1	1	121505-12210	HOSE, AIR CLEANER	1							
2	1	129135-12500	CLEANER ASSY, AIR	1							
2-1	1	129135-12501	CLEANER ASSY, AIR	1							N
		(A=*1991.09)									
3	2	121420-12511	ELEMENT	1							
3-1	2	119808-12520	ELEMENT	1							S
		(A=*1991.09)									
4	2	129135-12520	BODY ASSY	1							
4-1	2	119808-12510	BODY, AIR CLEANER	1							S
		(A=*1991.09)									
5	2	121420-12530	CAP, AIR CLEANER	1							
5-1	2	119808-12530	COVER	1							S
		(A=*1991.09)									
6	2	121420-12540	SCARF, BAFFLE	1							Z
		(A=*1991.09)									
7	2	121420-12550	CLAMP ASSY	1							Z
		(A=*1991.09)									
8	2	121420-12561	NUT, WING	1							Z
		(A=*1991.09)									
9	2	171061-12800	INDICATOR	1							Z
		(A=*1991.09)									
10	2	119808-12540	VALVE, UNLOADER	1							W
		(A=*1991.09)									

Fig.8. SUCTION & EXHAUST MANIFOLD

D29100-12100  
 U71350-13100TK  
 U71353-77501



(A)=3TN84L-RFAVM

(B)=

(C)=

(D)=

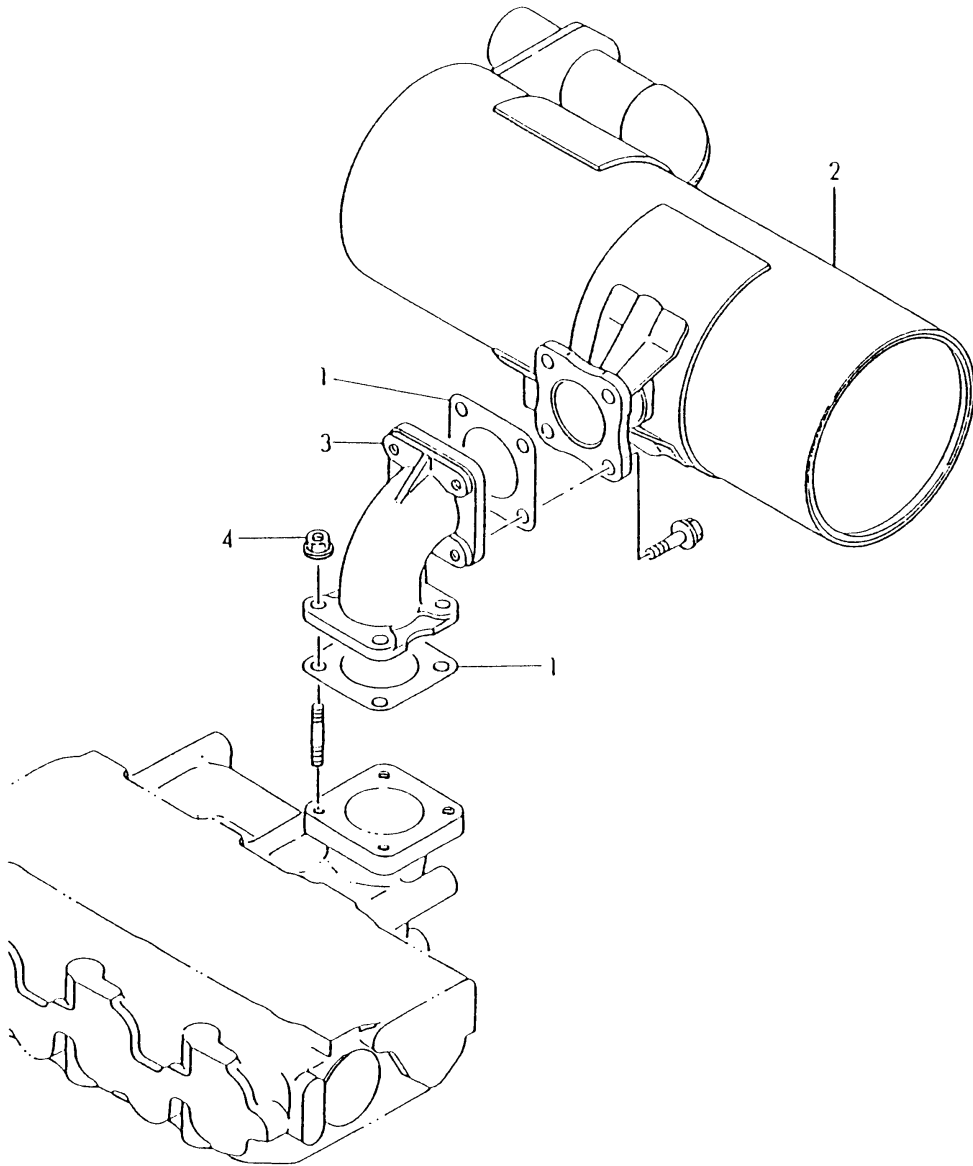
(E)=

(F)=

No.	Lev.	Parts No.	Description	Q'ty						I	R
				(A)	(B)	(C)	(D)	(E)	(F)		
1	1	129122-12100	MANIFOLD, AIR INTAKE	1							
2	1	129150-12110	GASKET, MANIFOLD	1							
2-1	1	129150-12111	GASKET, MANIFOLD	1							N
(A=E27688)											
3	1	26106-080252	BOLT, M8X 25 PLATED	4							
4	1	171350-13100	MANIFOLD, EXHAUST	1							
5	1	129150-13110	GASKET	1							
6	1	194990-22050	NUT, M8	2							
7	1	26106-080802	BOLT, M8X 80 PLATED	4							
8	1	26216-080222	STUD, M8X 22	4							
9	1	26216-080802	STUD, M8X 80	2							
10	1	129100-77500	HEATER, AIR 12V	1							
11	1	129100-77510	GASKET, AIR HEATER	1							
12	1	129150-77510	GASKET	1							
12-1	1	129150-77511	GASKET	1							N
(A=E27688)											
13	1	171340-77520	BEND	1							
14	1	26106-080402	BOLT, M8X 40 PLATED	2							
15	1	26106-080802	BOLT, M8X 80 PLATED	2							

# Fig.9. SILENCER

029135-93100



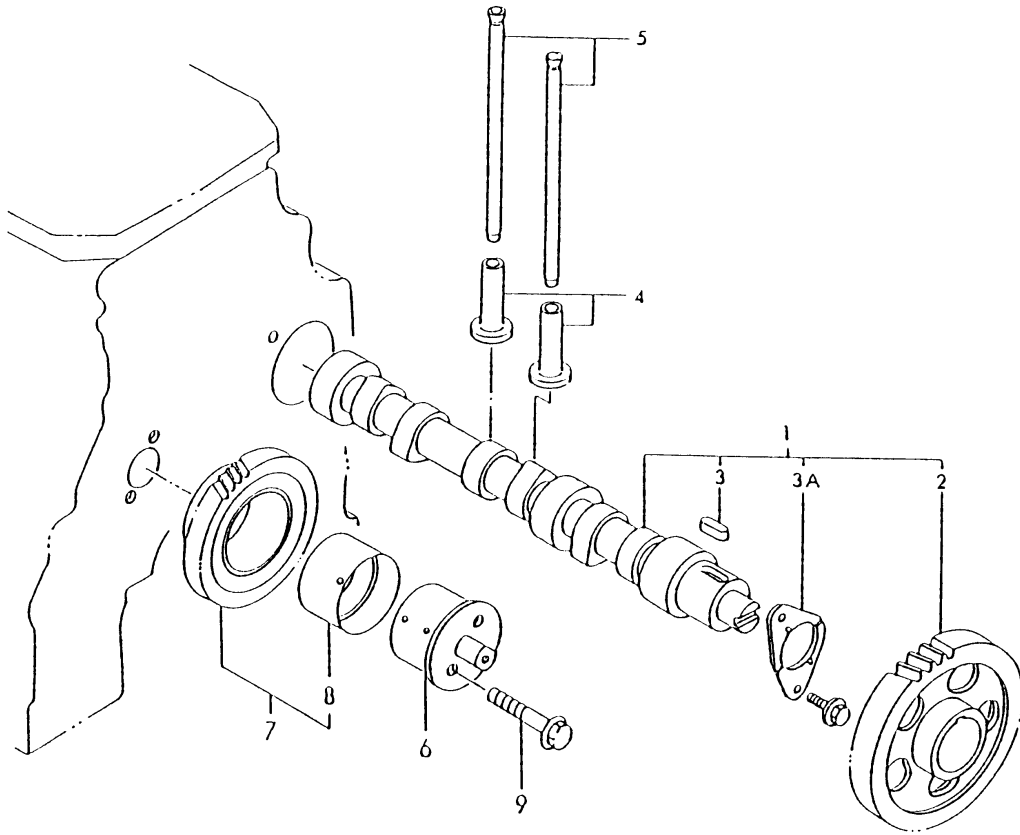
(A)=3TN84L-RFAVM  
(B)=  
(C)=

(D)=  
(E)=  
(F)=

No.	Lev.	Parts No.	Description	Q'ty						I	R
				(A)	(B)	(C)	(D)	(E)	(F)		
1	1	124701-11910	GASKET, SILENCER	2							
1-1	1	124701-11911	GASKET, SILENCER	2							N
(A=E27688)											
2	1	129135-13500	SILENCER	1							
2-1	1	129135-13501	SILENCER	1							N
(A=E04951)											
3	1	119620-13550	BEND	1							
4	1	194990-22050	NUT, M8	4							

Fig.10. CAMSHAFT & IDLE GEAR

029129-14100  
029100-25101



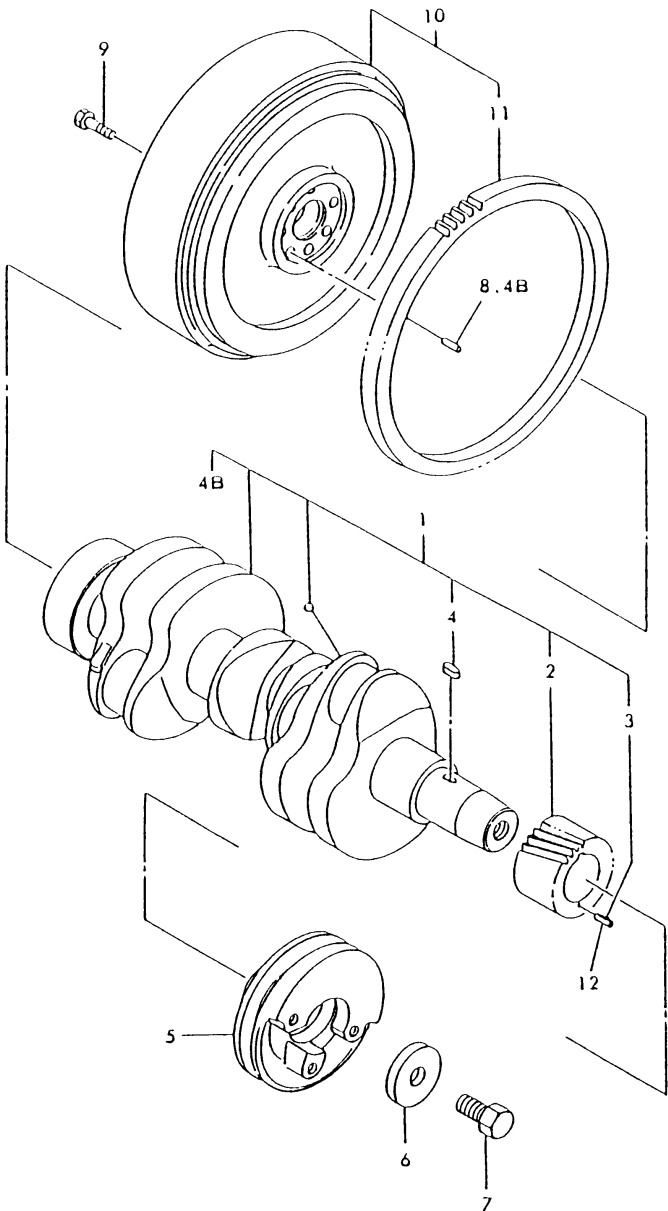
(A)=3TN84L-RFAVM  
(B)=  
(C)=

(D)=  
(E)=  
(F)=

No.	Lev.	Parts No.	Description	Q'ty						I	R
				(A)	(B)	(C)	(D)	(E)	(F)		
1	1	129129-14580 (A=EXXX)	CAMSHAFT ASSY	1							W
2	2	129150-14101	GEAR, CAMSHAFT	1							
3	2	22512-070140	KEY, 7X 14	1							
3A	2	129150-02450 (A=EXXX)	BEARING, THRUST	1							W
4	1	129150-14200	TAPPET	6							
5	1	129150-14400	ROD, PUSH L=178	6							
6	1	129100-25061	SHAFT, IDLE	1							
7	1	129150-25101	GEAR ASSY, IDLE	1							
9	1	26106-080452	BOLT, M8X 45 PLATED	2							

Fig.11. CRANKSHAFT & FLYWHEEL

029100-21100  
 029100-21200  
 029135-21300



(A)=3TN84L-RFAVM

(B)=

(C)=

(D)=

(E)=

(F)=

No.	Lev.	Parts No.	Description	Q'ty						I	R
				(A)	(B)	(C)	(D)	(E)	(F)		
1	1	729150-21700	CRANKSHAFT ASSY	1							
1-1	1	729102-21700	CRANKSHAFT ASSY	1							N
(A=E09404)											
2	2	129150-21200	GEAR, CRANKSHAFT	1							
3	2	22351-040010	PIN, SPRING 4.0X10	1							Z
(A=E27688)											
4	2	22512-070140	KEY, 7X 14	1							
4B	2	129100-01580	PIN, M8X16	1							W
(A=E27688)											
5	1	171340-21650	V-PULLEY	1							
6	1	129795-21661	WASHER	1							
7	1	121850-21680	BOLT	1							
8	1	129100-01580	PIN, M8X16	1							Z
(A=E27688)											
9	1	121111-21501	BOLT, FLYWHEEL	6							
10	1	129135-21590	FLYWHEEL ASSY	1							
11	2	119865-21600	GEAR, RING	1							
12	1	22351-040010	PIN, SPRING 4.0X10	1							W
(A=E27688)											

Fig.12. PISTON & CONNECTING ROD

(A)=3TN84L-RFAVM

(B)=

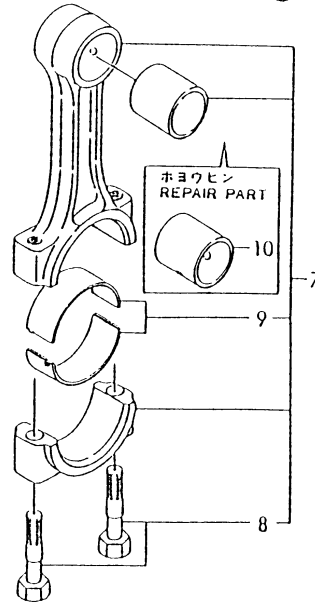
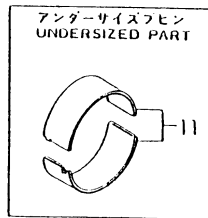
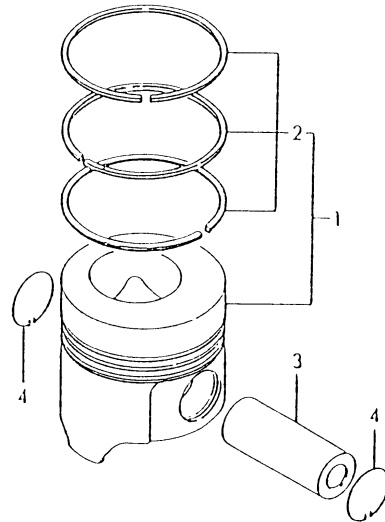
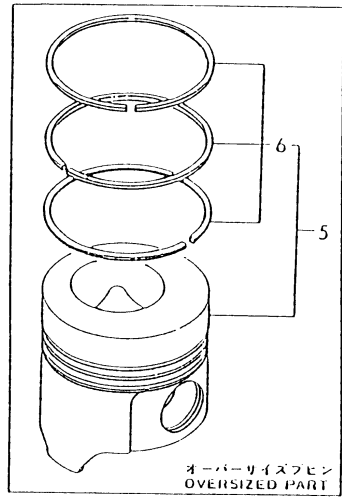
(C)=

(D)=

(E)=

(F)=

D29105-22110  
D29150-23100



No.	Lev.	Parts No.	Description	Q'ty						I	R
				(A)	(B)	(C)	(D)	(E)	(F)		
1	1	129105-22080	PISTON ASSY	3							
1-1	1	529002-22080	PISTON ASSY	1							R
		(A=*1991.)									
1-2	1	129105-22080	PISTON ASSY	1							R
		(A=*1991.)									
2	2	729157-22500	RING SET, PISTON	3							
2-1	2	129105-22500	RING SET, PISTON	3							N
		(A=E10500)									
3	1	129150-22300	PIN, PISTON D26 L66	3							
3-1	1	129202-22300	PIN, PISTON D26 L70	1							R
		(A=*1991.)									
3-2	1	129150-22300	PIN, PISTON D26 L66	1							R
		(A=*1991.)									
4	1	121100-22400	CIRCLIP	6							
4-1	1	22252-000260	RING, 26	2							R
		(A=*1991.)									
4-2	1	121100-22400	CIRCLIP	2							R
		(A=*1991.)									
5	1	729105-22900	PISTON ASSY, 0.25 OS	3							1
6	2	729157-22950	RING SET, 0.25 OS	3							1
7	1	729150-23700	ROD ASSY, CONNECTING	3							
7-1	1	729402-23100	ROD ASSY, CONNECTING	3							N
		(A=E26486)									
8	2	121550-23200	BOLT, CONNECTING ROD	6							
9	2	129150-23600	BEARING, CRANK PIN	3							
10	1	129100-23910	BEARING, PISTON PIN	3							2
11	1	129150-23610	BEARING, 0.25 US	3							3

Remarks

(1) OVER-SIZE(O.S=0.25)PART.

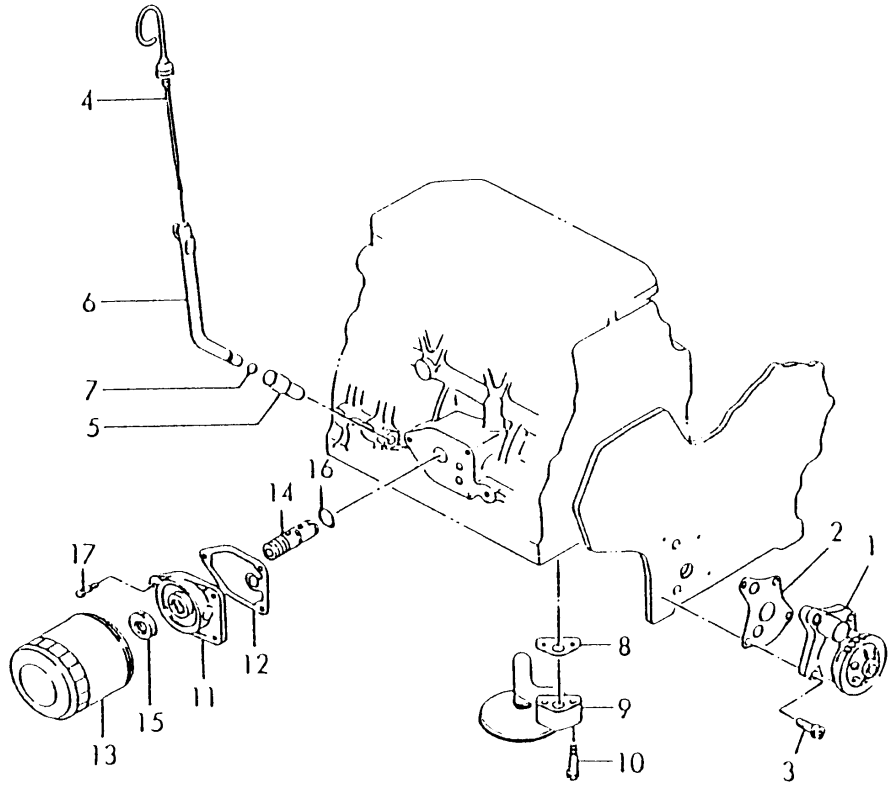
(2) REPAIR PART.

(3) UNDER-SIZE(U.S=0.25)PART.

N:Old  $\xrightarrow{\text{Yes}}$  New, Q:Old  $\xrightarrow{\text{No}}$  New, R:Old  $\xrightarrow{\text{Yes}}$  New, S:Old  $\xrightarrow{\text{No}}$  New, W:Add, Z:Discontinued, F:Interchangeable by set, K:Q'ty Change

Fig.13. LUB. OIL SYSTEM

029150-32100  
 029135-34101  
 029135-35100  
 029100-35200



(A)=3TN84L-RFAVM

(B)=

(C)=

(D)=

(E)=

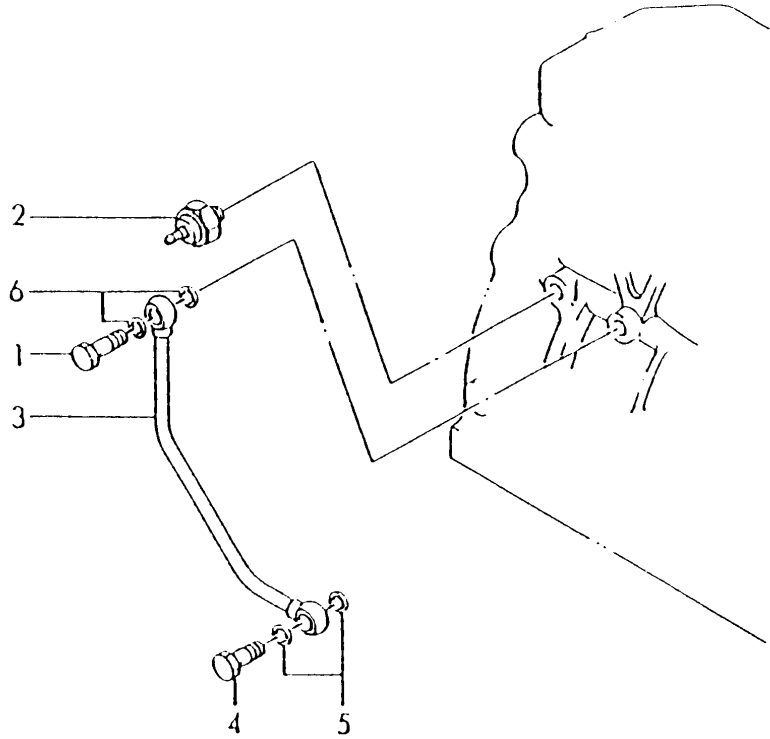
(F)=

No.	Lev.	Parts No.	Description	Q'ty						I	R
				(A)	(B)	(C)	(D)	(E)	(F)		
1	1	129150-32000	PUMP ASSY, OIL	1							
2	1	129150-32020	GASKET, PUMP	1							
3	1	26450-060252	BOLT, M6X 25	4							
4	1	129135-34800	DIPSTICK, OIL	1							
5	1	119260-34810	GUIDE, DIPSTICK	1							
6	1	129128-34810	GUIDE, DIPSTICK	1							
6-1	1	129136-34820	GUIDE, DIPSTICK	1							N
(A=E27016)											
7	1	24311-240100	O-RING, 1AP10A	1							
8	1	129150-35040	GASKET	1							
8-1	1	129150-35041	GASKET	1							N
(A=E27688)											
9	1	129135-35090	PIPE ASSY, OIL INLET	1							
10	1	26106-080352	BOLT, M8X 35 PLATED	2							
11	1	129150-35101	BRACKET, STRAINER	1							
12	1	129150-35110	GASKET	1							
12-1	1	129150-35111	GASKET	1							N
(A=E27688)											
13	1	129150-35150	FILTER 90X80L	1							
14	1	119865-35300	VALVE ASSY, CONTROL	1							
15	1	129150-35350	NUT	1							
16	1	24311-000160	O-RING, 1AP16.0	1							
17	1	26106-080202	BOLT, M8X 20 PLATED	3							



Fig.14. LUB. OIL PIPES

029150-39110  
019600-39100



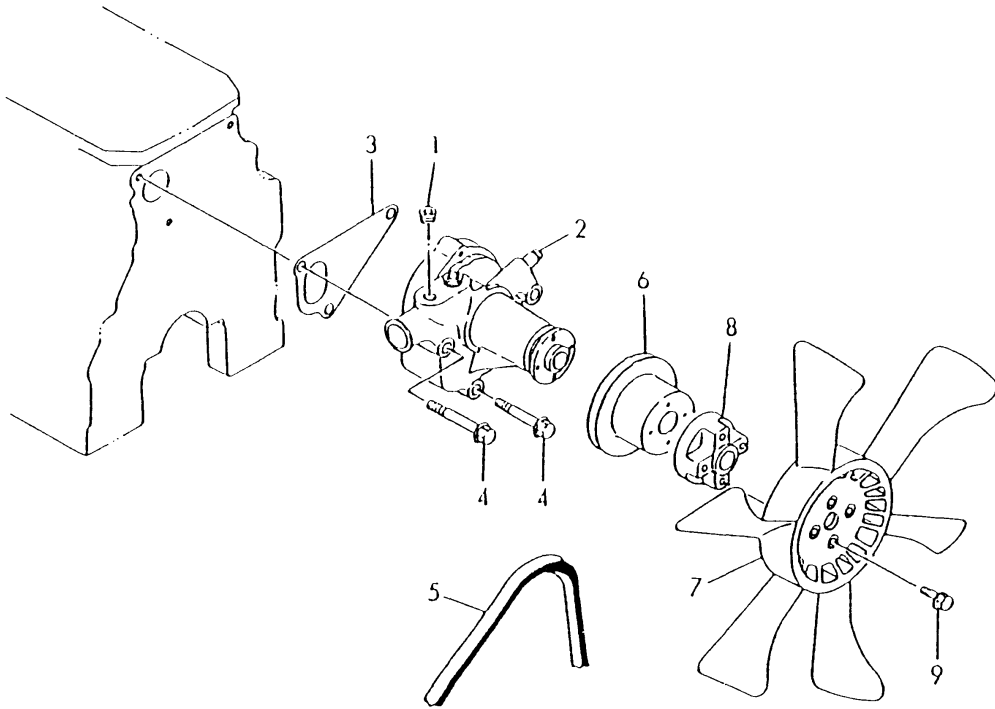
(A)=3TN84L-RFAVM  
(B)=  
(C)=

(D)=  
(E)=  
(F)=

No.	Lev.	Parts No.	Description	Q'ty						I	R
				(A)	(B)	(C)	(D)	(E)	(F)		
1	1	124160-39140	BOLT, PIPE JOINT M10	1							
2	1	124160-39450	SWITCH, 0.5KG	1							
3	1	129150-39450	PIPE ASSY, OIL	1							
4	1	124550-59820	BOLT, PIPE JOINT M8	1							
5	1	23414-080000	GASKET, 8X1.0	2							
6	1	23414-100000	GASKET, 10X1.0	2							

Fig.15. COOLING WATER SYSTEM

029100-42110  
 029135-42300  
 029115-44400



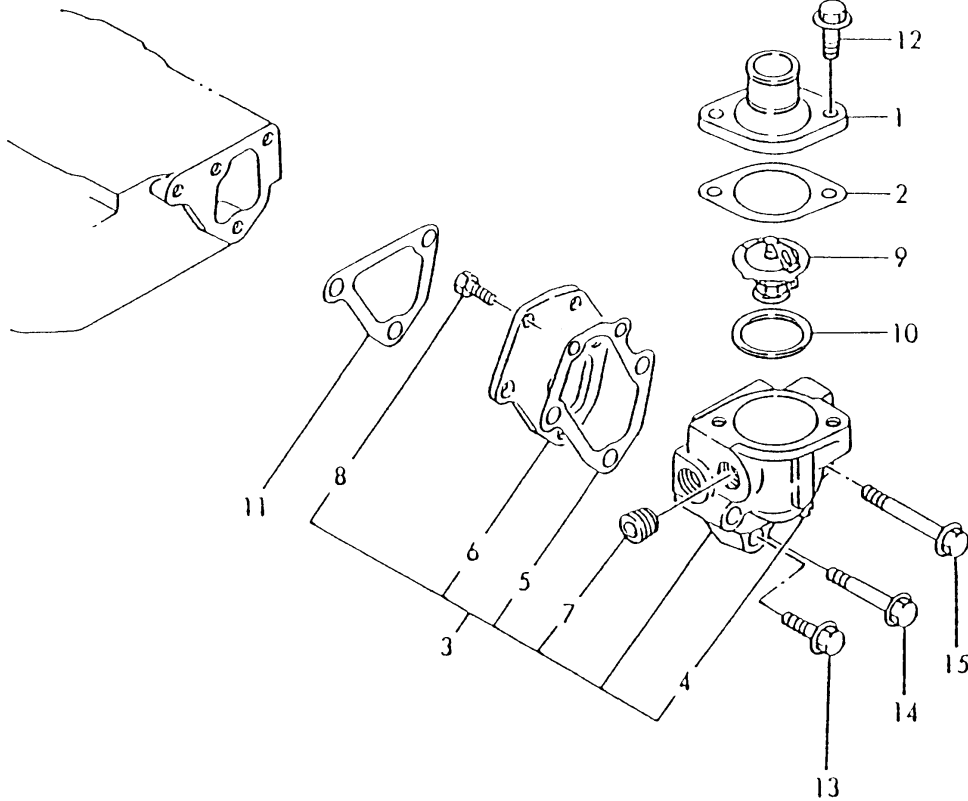
(A)=3TN84L-RFAVM  
 (B)=  
 (C)=

(D)=  
 (E)=  
 (F)=

No.	Lev.	Parts No.	Description	Qty						I	R
				(A)	(B)	(C)	(D)	(E)	(F)		
1	1	121850-11860	PLUG, PT1/4	1							
2	1	129100-42001	PUMP ASSY, WATER	1							
2-1	1	129100-42002	PUMP ASSY, WATER	1							N
(A=E27688)											
3	1	129100-42020	GASKET, WATER PUMP	1							
4	1	26106-080602	BOLT, M8X 60 PLATED	3							
5	1	121492-42290	V-BELT, A38	1							
6	1	129556-42350	V-PULLEY, 96	1							
7	1	171440-44740	FAN, COOLING D350XQF	1							
8	1	171353-44760	SPACER, FAN	1							
9	1	26106-060352	BOLT, M6X 35 PLATED	4							

Fig.16. THERMOSTAT

029100-49210



(A)=3TN84L-RFAVM

(B)=

(C)=

(D)=

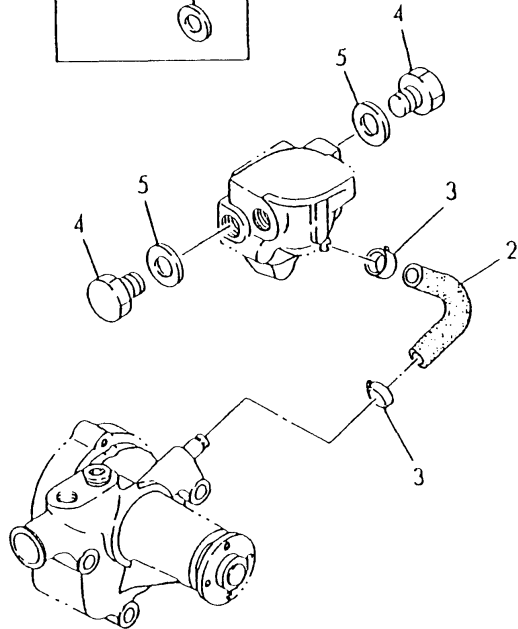
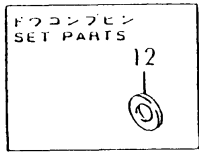
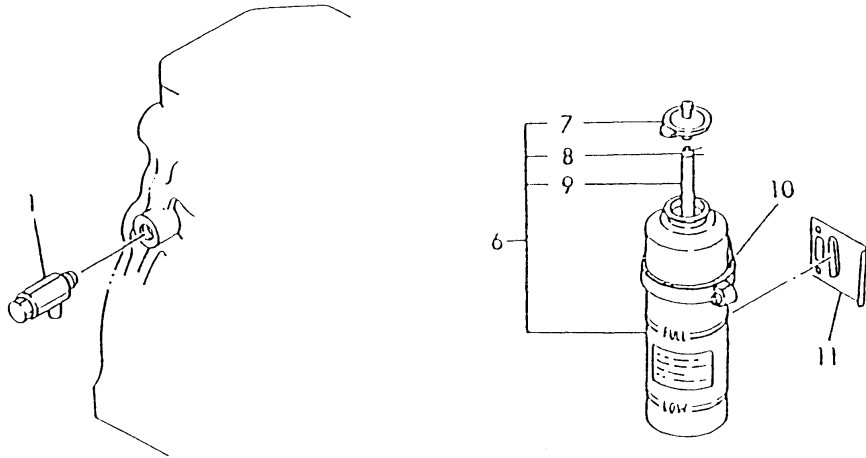
(E)=

(F)=

No.	Lev.	Parts No.	Description	Q'ty						I	R
				(A)	(B)	(C)	(D)	(E)	(F)		
1	1	129350-49530	COVER, THERMOSTAT	1							
2	1	129795-49550	GASKET	1							
2-1	1	129795-49551	GASKET	1							N
(A=E27688)											
3	1	129100-49800	CASE ASSY,THERMOSTAT	1							
4	2	124770-11770	JOINT, PIPE PT1/8	1							
5	2	129100-49820	GASKET	1							
6	2	129100-49830	COVER, THERMOSTAT	1							
7	2	23871-030000	PLUG, R03	1							
8	2	26116-060162	BOLT, M6X 16 PLATED	2							
9	1	129155-49800	THERMOSTAT, 71	1							
10	1	129150-49810	GASKET, THERMOSTAT	1							
10-1	1	129150-49811	GASKET, THERMOSTAT	1							N
(A=E27688)											
11	1	129100-49840	GASKET	1							
12	1	26106-080202	BOLT, M8X 20 PLATED	2							
13	1	26106-080252	BOLT, M8X 25 PLATED	1							
14	1	26106-080502	BOLT, M8X 50 PLATED	1							
15	1	26106-080602	BOLT, M8X 60 PLATED	1							

Fig.17. COOLING WATER PIPES

019620-49300  
 029100-49500  
 U71353-49600  
 029135-93100



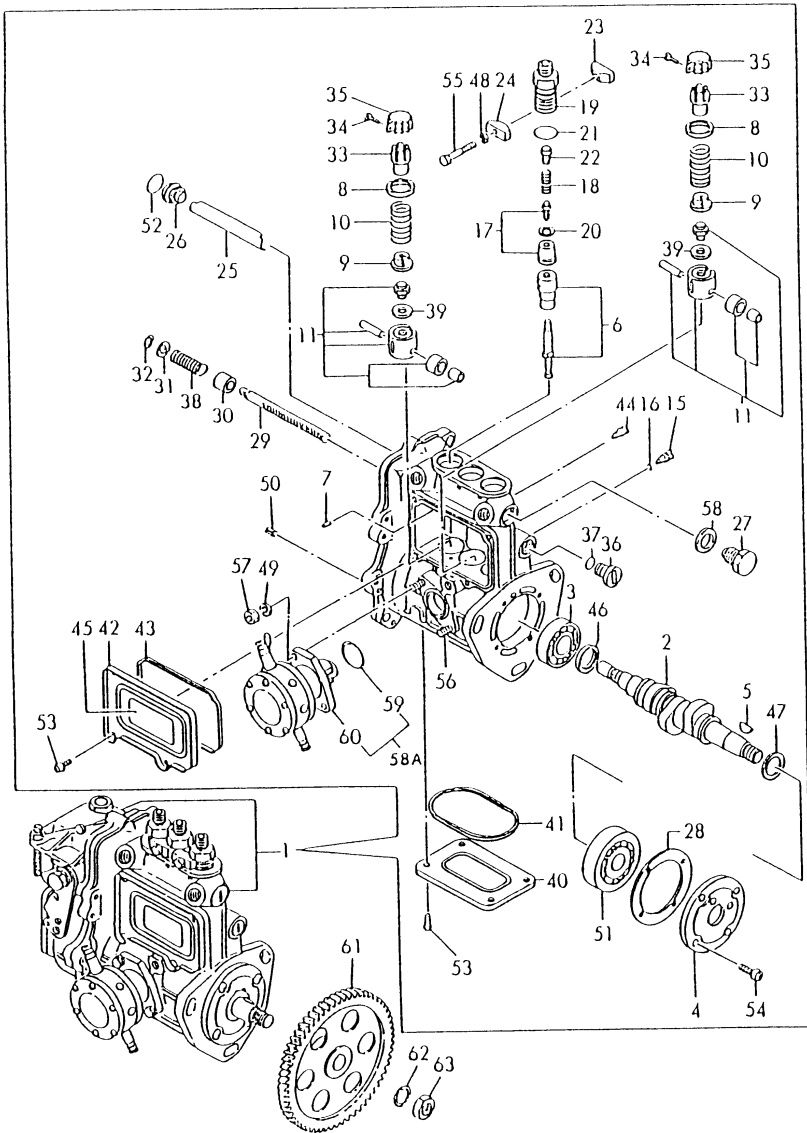
(A)=3TN84L-RFAVM  
 (B)=  
 (C)=

(D)=  
 (E)=  
 (F)=

No.	Lev.	Parts No.	Description	Q'ty						I	R
				(A)	(B)	(C)	(D)	(E)	(F)		
1	1	119620-49290	COCK ASSY, 1/4	1							
2	1	129100-49050	PIPE, WATER	1							
3	1	23000-016000	CLAMP, 16	2							
4	1	121450-42450	PLUG, M16	2							
5	1	124465-44950	GASKET, 16	2							
6	1	124450-44510	TANK ASSY, SUB	1							
7	2	124450-44530	CAP	1							
8	2	124450-44560	RETAINER	1							
9	2	23061-070230	PIPE, 7X 230	1							
10	1	124450-44550	BAND	1							
11	1	121256-44600	BRACKET, SUB TANK	1							
12	1	129150-49360	GASKET	1							

Fig.18. FUEL INJECTION PUMP

029150-25200  
129132-51390



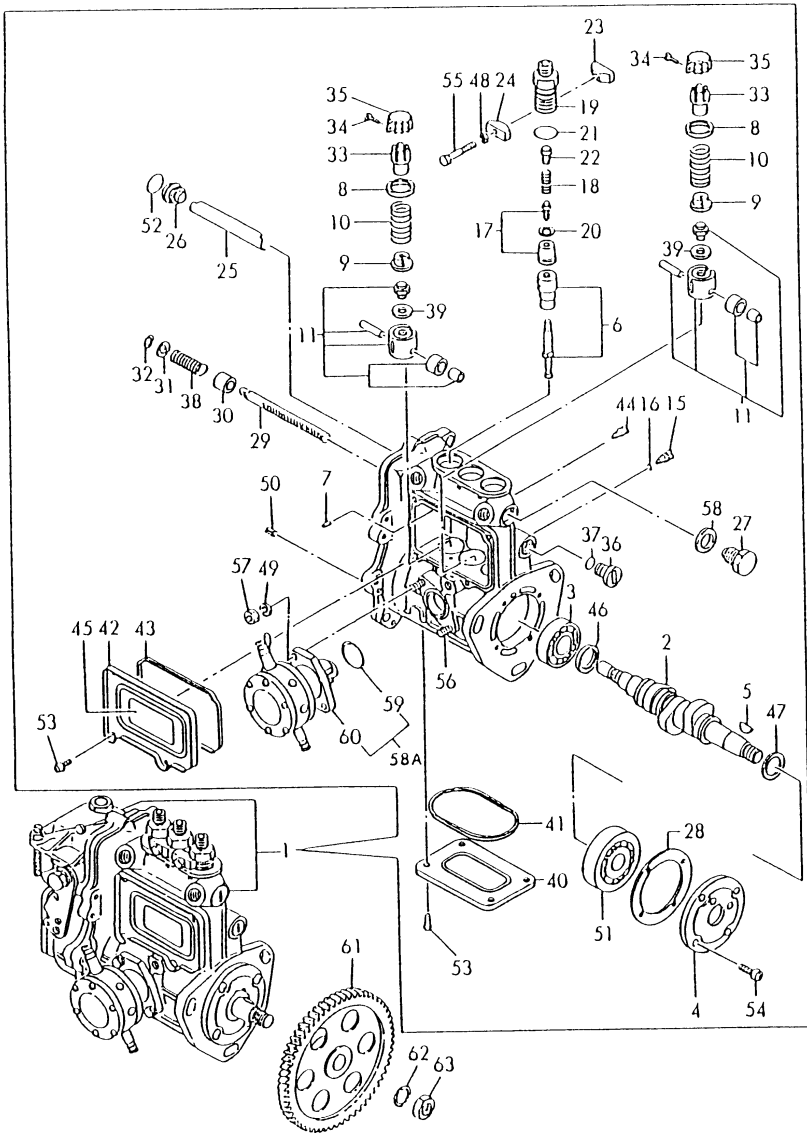
No.	Lev.	Parts No.	Description	Q'ty						I	R
				(A)	(B)	(C)	(D)	(E)	(F)		
1	1	729105-51350	PUMP ASSY, INJECTION	1							1
1-1	1	729132-51390	PUMP ASSY, INJECTION	1							N 1
(A=E32721)											
2	3	119810-51040	CAMSHAFT	1							
3	3	129155-51050	BEARING, 17BM001D	1							
4	3	129155-51060	SUPPORT, CAMSHAFT	1							
5	3	122710-51090	KEY	1							
6	3	129400-51100	PLUNGER ASSY	3							
7	3	129155-51140	PIN	3							
8	3	174307-51170	RETAINER, SPRING A	3							
9	3	129155-51180	RETAINER, SPRING	3							
10	3	124950-51190	SPRING, PLUNGER	3							
11	3	129155-51200	TAPPET ASSY	3							
15	3	129155-51270	STOPPER, TAPPET	3							
16	3	129155-51280	O-RING, S6	3							
17	3	128170-51300	VALVE ASSY, DELIVERY	3							
18	3	129155-51320	SPRING, DELIVERY	3							
19	3	129155-51340	RETAINER	3							
20	3	124550-51350	GASKET, DELIVERY	3							
21	3	124550-51370	O-RING	3							
22	3	129155-51370	STOPPER, VALVE	3							
23	3	129155-51380	STOPPER	2							
24	3	129155-51390	STOPPER	2							
25	3	129155-51400	DEFLECTOR	1							
26	3	129155-51410	BOLT	1							
27	3	129155-51420	PLUG, M16	1							
28	3	129155-51450	SHIM SET, ADJUSTING	1							
29	3	129155-51500	RACK, CONTROL	1							
30	3	129155-51521	BUSH, RACK	1							
31	3	129155-51530	SPACER	1							
32	3	129155-51540	CIRCLIP	1							
33	3	129155-51550	PINION, CONTROL	3							
34	3	122117-51560	SCREW	3							
35	3	174307-51560	PINION	3							
36	3	129155-51570	PLUG, M12	1							
37	3	129155-51580	O-RING	1							
38	3	129155-51591	SPRING, RACK	1							
39	3	129155-51600	SHIM SET, ADJUSTING	3							
40	3	129155-51700	COVER	1							
41	3	129155-51710	GASKET	1							
42	3	129155-51750	COVER	1							
43	3	129155-51760	GASKET	1							
44	3	129155-51790	STOPPER, RACK	1							
45	3	129156-51910	LABEL, CAUTION	1							
46	3	129155-51930	SPACER, T=3.25	1							
47	3	129155-51940	SPACER, T=1.5	1							
48	3	22217-050000	WASHER, SPRING 5	2							Z
(A=E32721)											
49	3	22217-060000	WASHER, SPRING 6	2							
50	3	22351-050010	PIN, SPRING 5.0X10	2							
51	3	24101-063034	BEARING, BALL 6303	1							

Remarks

(1) GOVERNOR ASSY(FIG.NO.22) IS INCORPORATED IN THIS FUEL INJECTION PUMP ASSY(REF.NO.1).

# Fig.18. FUEL INJECTION PUMP

029150-25200  
129132-51390



(A)=3TN84L-RFAVM

(B)=

(C)=

(D)=

(E)=

(F)=

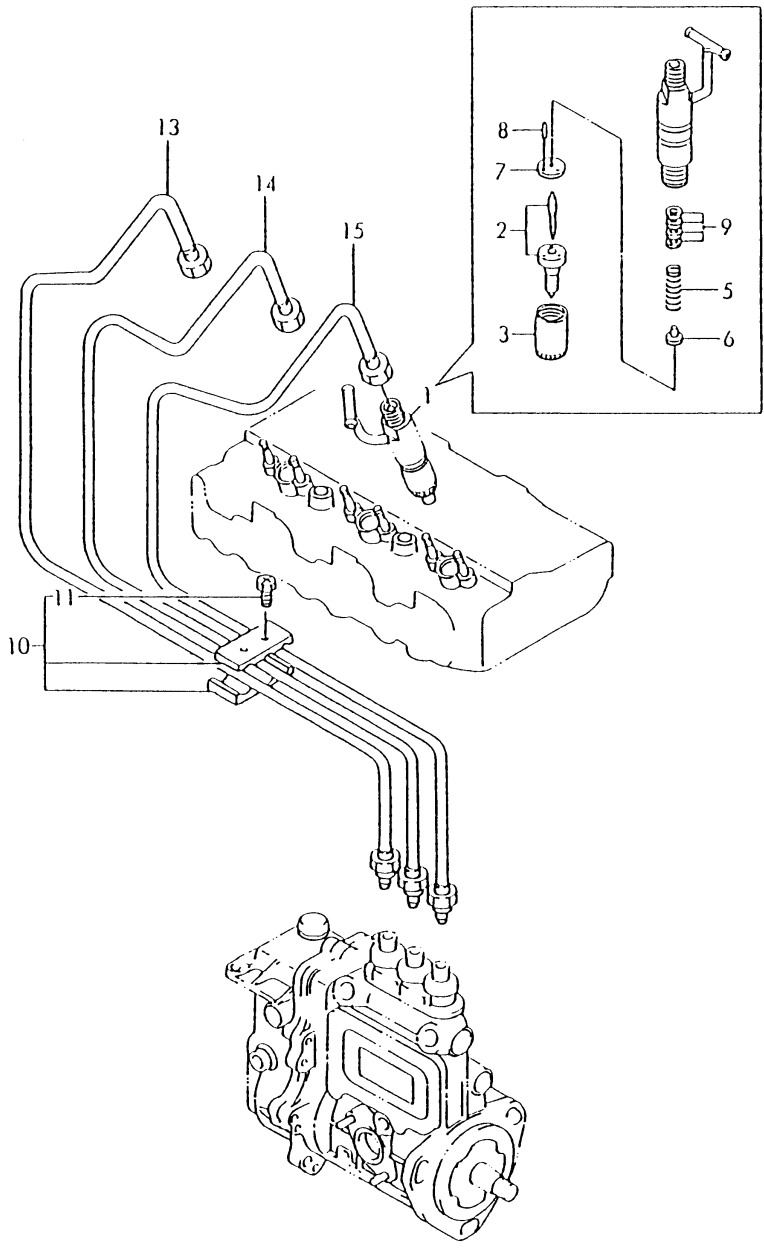
No.	Lev.	Parts No.	Description	Q'ty						I	R
				(A)	(B)	(C)	(D)	(E)	(F)		
52	3	24341-000160	O-RING, 1AS16.0	1							
53	3	26022-050102	SCREW, M5X10	8							
54	3	26022-060162	SCREW, M6X16	4							
55	3	26116-050302	BOLT, M5X 30 PLATED	2							
56	3	26216-060142	STUD, M6X 14	2							
56-1	3	129155-51020	STUD	2							N
(A=E04512)											
57	3	26716-060002	NUT, M6	2							
58	3	43400-500490	SEAL WASHER 16	1							
58A	2	129100-52000	PUMP ASSY, FUEL FEED	1							W
(A=E32721)											
59	3	129155-52050	GASKET	1							
60	3	129100-52100	PUMP ASSY, FUEL FEED	1							
61	1	129150-25900	GEAR, PUMP	1							
62	1	22217-120000	WASHER, SPRING 12	1							
63	1	26716-120002	NUT, M12	1							

Remarks

(1) GOVERNOR ASSY(FIG.NO.22) IS INCORPORATED IN THIS FUEL INJECTION PUMP ASSY(REF.NO.1).

Fig.19. FUEL INJECTION DEVICE

029503-53100  
029100-59110



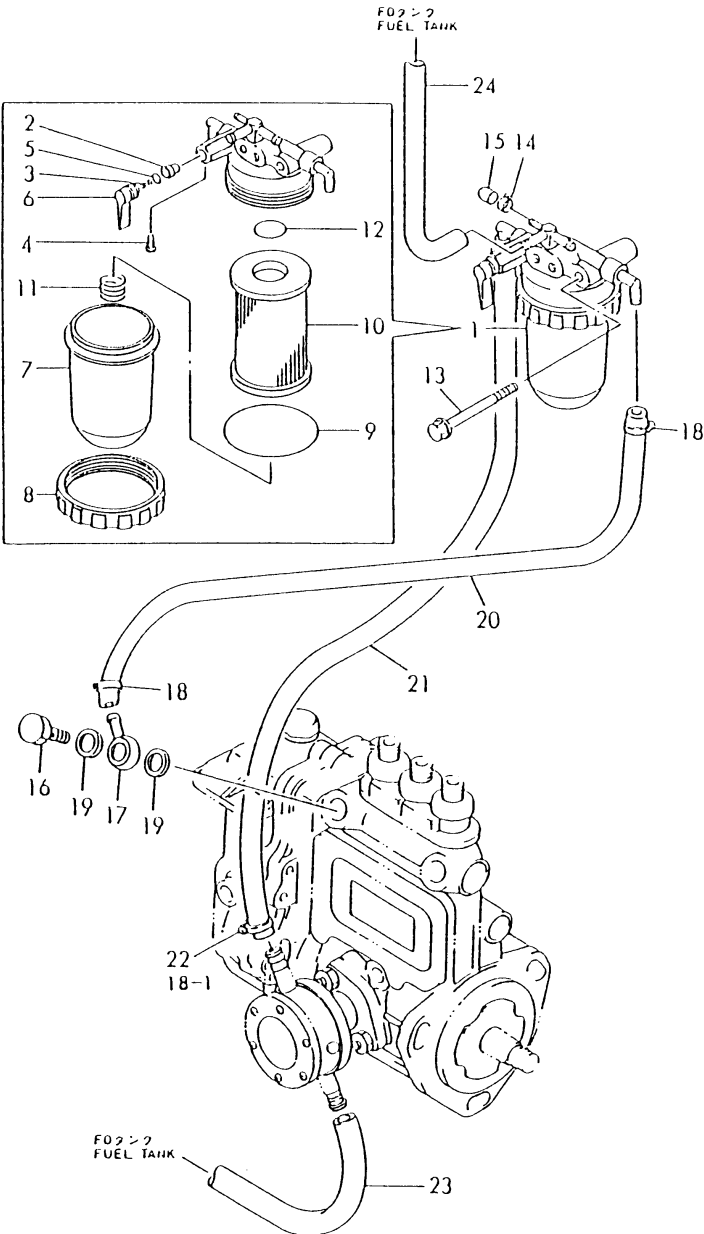
(A)=3TN84L-RFAVM  
(B)=  
(C)=

(D)=  
(E)=  
(F)=

No.	Lev.	Parts No.	Description	Q'ty						I	R
				(A)	(B)	(C)	(D)	(E)	(F)		
1	1	729503-53100	VALVE ASSY,INJECTION	3							
2	2	129503-53000	VALVE ASSY,INJECTION	3							
3	2	114250-53080	NUT, NOZZLE D16.95	3							
5	2	114250-53120	SPRING, NOZZLE	3							
6	2	114250-53130	SEAT, SPRING	3							
7	2	114250-53140	PLATE	3							
8	2	114250-53210	PIN	6							
9	2	114250-53400	SHIM SET	3							
10	1	129150-59120	RETAINER, PIPE	1							
11	2	129150-59130	BOLT, M4X12	2							
13	1	129100-59910	PIPE ASSY, INJECTION	1							
14	1	129100-59920	PIPE ASSY, INJECTION	1							
15	1	129100-59930	PIPE ASSY, INJECTION	1							

Fig.20. FUEL OIL SYSTEM

029100-55112  
 029100-59211  
 029135-93100



(A)=3TN84L-RFAVM

(B)=

(C)=

(D)=

(E)=

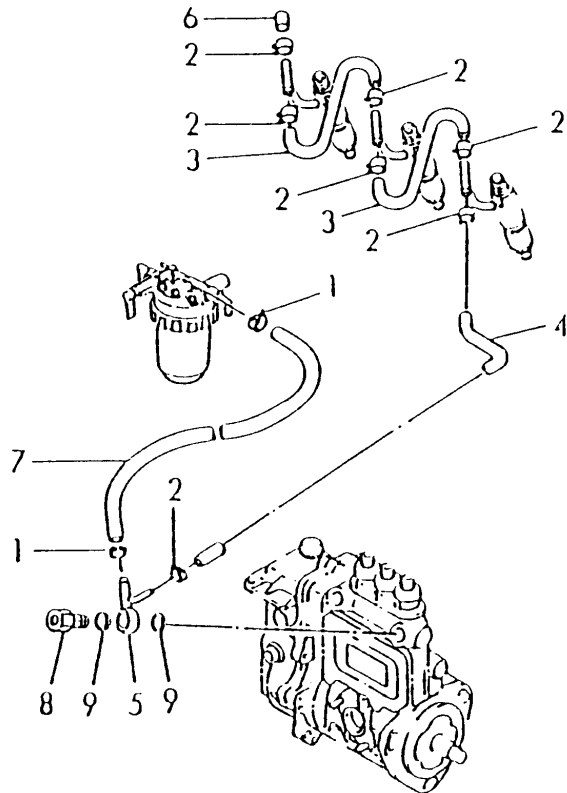
(F)=

No.	Lev.	Parts No.	Description	Q'ty						I	R
				(A)	(B)	(C)	(D)	(E)	(F)		
1	1	129100-55621	FILTER ASSY, FUEL	1							
2	2	104200-55321	VALVE, TAPER	1							
3	2	104200-55330	SPRING, VALVE	1							
4	2	104200-55750	SCREW, M4	1							
5	2	24311-240100	O-RING, 1AP10A	1							
6	2	129100-55670	LEVER	1							
7	2	129100-55680	CUP, STRAINER	1							
8	2	129100-55690	RING, RETAINING	1							
9	2	24321-000650	O-RING, 1AG65.0	1							
10	2	129100-55650	ELEMENT	1							
11	2	129100-55700	SPRING	1							
12	2	24311-000160	O-RING, 1AP16.0	1							
13	1	26106-080652	BOLT, M8X 65 PLATED	1							
13-1	1	26014-080702	BOLT, M8X 70	1							S
(A=E07810)											
14	1	124066-59100	CLIP, HOSE 8	1							
15	1	129150-59580	CAP	1							
16	1	103854-39140	BOLT, PIPE JOINT	1							
17	1	129150-59020	JOINT, PIPE	1							
17-1	1	101304-59020	JOINT, PIPE 12	1							N
(A=E02869)											
18	1	124766-59050	CLIP, HOSE 12	2							
18-1	1	124766-59050	CLIP, HOSE 12	4							K
(A=E35855)											
19	1	104200-59170	GASKET, 12	2							
20	1	129555-59510	PIPE, D13/7.5X180	1							
21	1	129255-59580	PIPE, FUEL	1							
21-1	1	105025-59530	PIPE, FUEL D13X400	1							N
(A=E33785)											
22	1	23000-013000	CLAMP, 13	2							Z
(A=E35855)											
23	1	121256-59072	PIPE, FUEL OIL	1							
24	1	124936-59090	PIPE, FUEL	1							



# Fig.21. FUEL RETURN PIPES

029100-59302



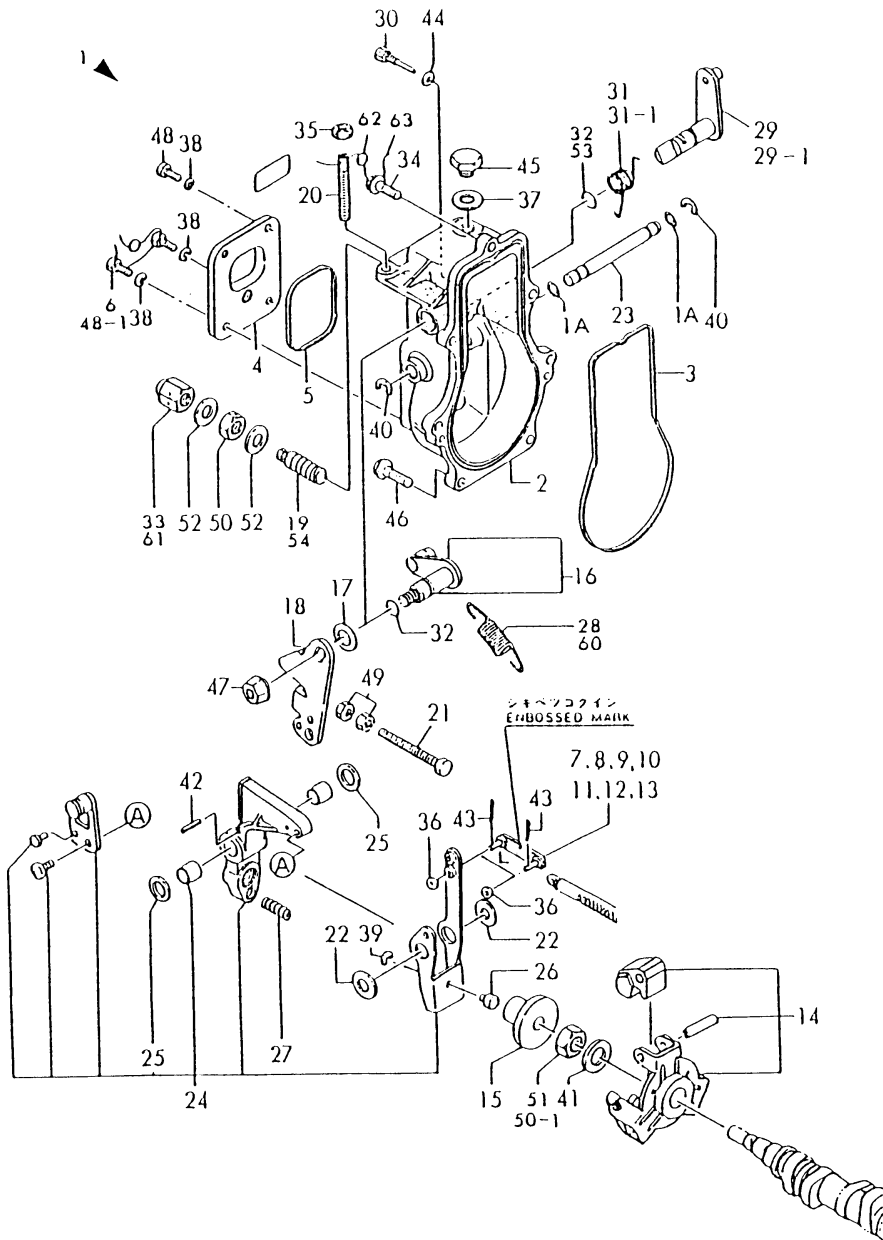
(A)=3TN84L-RFAVM  
(B)=  
(C)=

(D)=  
(E)=  
(F)=

No.	Lev.	Parts No.	Description	Q'ty						I	R
				(A)	(B)	(C)	(D)	(E)	(F)		
1	1	124766-59050	CLIP, HOSE 12	2							
2	1	124066-59100	CLIP, HOSE 8	7							
3	1	121250-59550	PIPE, FUEL D8X120	2							
4	1	119840-59560	PIPE, FUEL RETURN	1							
5	1	119840-59570	JOINT	1							
6	1	129150-59580	CAP	1							
7	1	129255-59580	PIPE, FUEL	1							
7-1	1	105025-59750	PIPE, FUEL	1							N
(A=E33785)											
8	1	129100-59951	VALVE ASSY, CHECK	1							
9	1	23414-120000	GASKET, 12X1.0	2							

Fig.22. GOVERNOR

729132-51390  
D29428-66400



(A)=3TN84L-RFAVM

(B)=

(C)=

(D)=

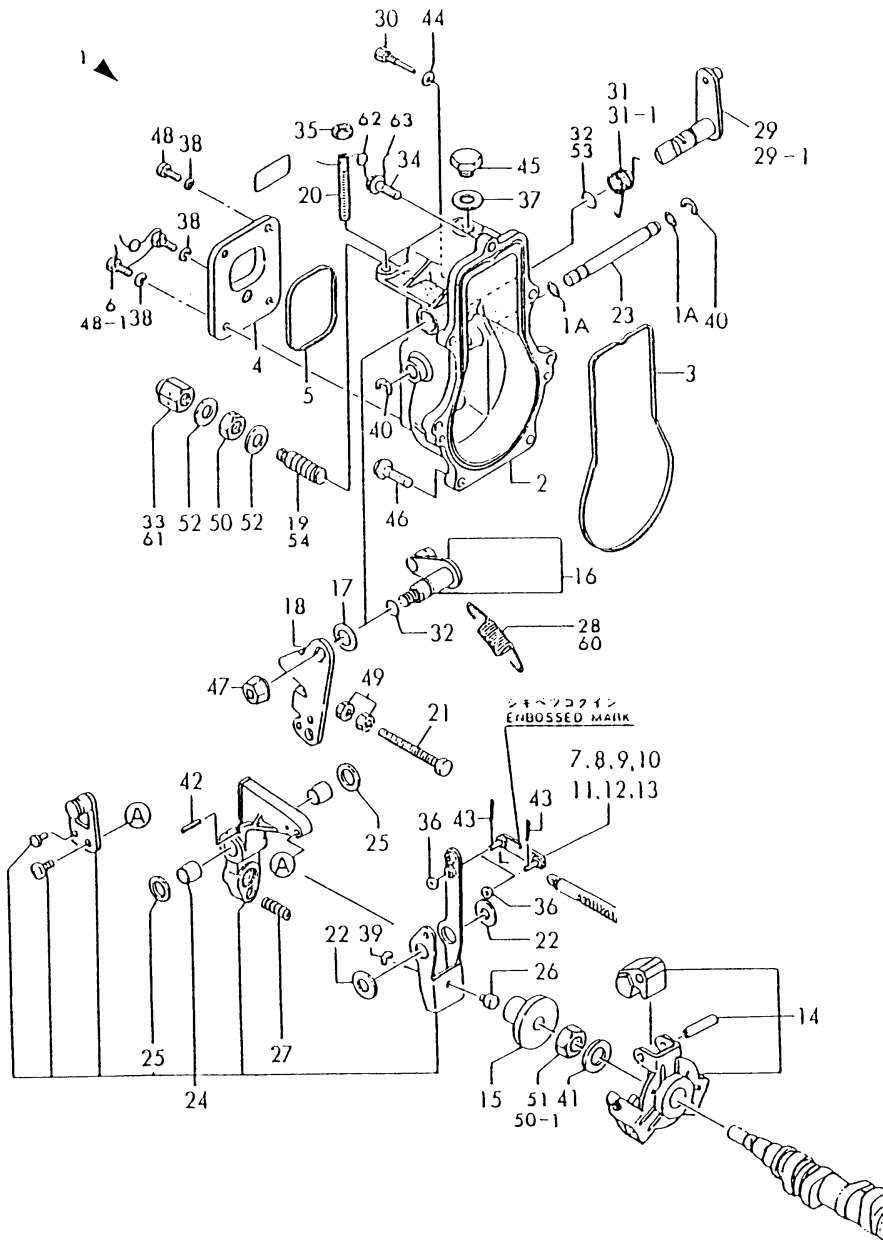
(E)=

(F)=

No.	Lev.	Parts No.	Description	Q'ty						I	R
				(A)	(B)	(C)	(D)	(E)	(F)		
1	2	129108-61000	GOVERNOR ASSY	1							W
		(A=E32721)									
1A	3	129155-51280	O-RING, S6	2							
2	3	129155-61010	CASE, GOVERNOR	1							
2-1	3	129155-61011	CASE, GOVERNOR	1							S
		(A=E11049)									
3	3	129155-61050	GASKET	1							
4	3	129155-61060	COVER, GOVERNOR CASE	1							
5	3	129155-61070	GASKET	1							
6	3	129155-61090	BOLT	1							Z
		(A=E32721)									
7	3	129155-61120	LINK, L=30 MARK 0	1							
8	3	129155-61130	LINK, L=31 MARK 1	1							
9	3	129155-61140	LINK, L=30.5 MARK 05	1							
10	3	129155-61150	LINK, L=33	1							Z
		(A=E32721)									
11	3	129155-61160	LINK, L=34 MARK4	1							Z
		(A=E32721)									
12	3	129155-61170	LINK, L=28 MARK 8	1							Z
		(A=E32721)									
13	3	129155-61180	LINK, L=29 MARK 9	1							Z
		(A=E32721)									
14	3	129155-61201	WEIGHT ASSY,GOVERNOR	1							
15	3	129155-61341	SLEEVE	1							
16	3	129100-61400	SHAFT ASSY	1							
17	3	129155-61430	SPACER	1							
18	3	129100-61440	LEVER, CONTROL	1							
19	3	129100-61450	LIMITER ASSY, FUEL	1							Z
		(A=E32721)									
20	3	129155-61450	BOLT, LIMITER	1							
21	3	129155-61460	BOLT, IDLE	1							
22	3	129155-61480	SPACER ASSY	2							
23	3	129155-61490	SHAFT	1							
24	3	129500-61500	LEVER ASSY, GOVERNOR	1							
25	4	174307-51700	SHIM SET	2							
26	3	129155-61540	SHIFTER	1							
27	3	129100-61650	SPRING, CONTROLLER	1							
28	3	171353-61710	SPRING, GOVERNOR	1							
28-1	3	171353-61700	SPRING, GOVERNOR	1							N
		(A=E07139)									
28-2	3	171353-61700	SPRING, GOVERNOR	1							Z
		(A=E32721)									
29	3	129155-61800	LEVER, STOP	1							
29-1	3	129155-61802	LEVER, STOP	1							S
		(A=E11049)									
29-2	3	129255-61802	LEVER, STOP	1							S
		(A=E23653)									
30	3	129155-61810	PIN	1							
31	3	129155-61820	SPRING, RETURN	1							
31-1	3	129100-61821	SPRING, RETURN	1							S
		(A=E11049)									

Fig.22. GOVERNOR

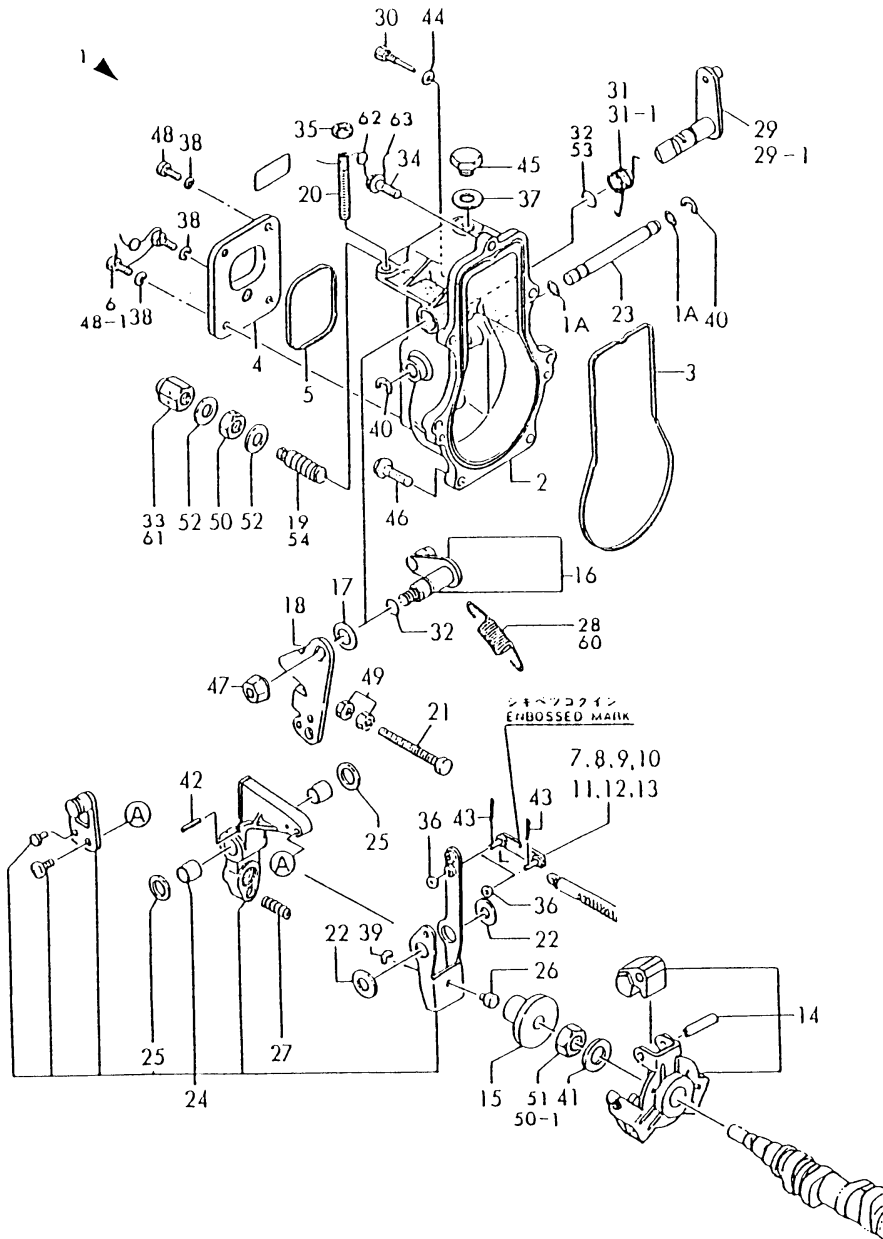
729132-51390  
D29428-66400



No.	Lev.	Parts No.	Description	Q'ty						I	R
				(A)	(B)	(C)	(D)	(E)	(F)		
32	3	129155-61830	O-RING, S10	3							
32-1	3	129155-61830	O-RING, S10	1							K
		(A=E23653)									
33	3	129100-61930	NUT, CAP	1							Z
		(A=E32721)									
34	3	129155-61950	BOLT	1							
35	3	124550-66370	NUT, M6	1							
36	3	22117-040000	WASHER, 4	2							
36-1	3	22117-040000	WASHER, 4	1							K
		(A=E23653)									
37	3	22190-100000	WASHER, SEAL 10	1							
37-1	3	43400-500430	SEAL WASHER 10	1							N
		(A=E22826)									
38	3	22217-050000	WASHER, SPRING 5	4							Z
		(A=E32721)									
39	3	22272-000040	RING, E- 4	1							
40	3	22272-000060	RING, E- 6	2							
41	3	22287-120000	WASHER, 12	1							
42	3	22351-030016	PIN, SPRING 3.0X16	1							
43	3	22360-050000	SNAP PIN 5	2							
43-1	3	22360-040000	PIN, SNAP 4	2							S
		(A=E23653)									
43-2	3	22372-040000	PIN, SNAP 4	2							R
		(A=E35855)									
44	3	23414-050000	GASKET, 5X1.0	1							
44-1	3	43400-500390	SEAL WASHER 6	1							N
		(A=E22826)									
45	3	23887-100002	PLUG, 10	1							
46	3	26106-060202	BOLT, M6X 20 PLATED	6							
47	3	26366-080002	NUT, M8	1							
48	3	26557-050102	SCREW, M5X10	3							
48-1	3	26022-050102	SCREW, M5X10	4							N
		(A=E23653)									
49	3	26756-060002	NUT, LOCK M6	2							
49-1	3	26756-060002	NUT, LOCK M6	1							K
		(A=EXXX)									
50	3	26776-120002	NUT, LOCK M12	1							
50-1	3	26776-120002	NUT, LOCK M12	2							K
		(A=E23653)									
51	3	26777-120002	NUT, LOCK M12	1							Z
		(A=E32721)									
52	3	43400-500450	SEAL WASHER 12	2							
53	3	24311-240100	O-RING, 1AP10A	1							W
		(A=E23653)									
54	2	129100-61450	LIMITER ASSY, FUEL	1							W
		(A=E32721)									
60	2	171353-61710	SPRING, GOVERNOR	1							W
		(A=E32721)									
61	2	26687-120002	NUT, CAP M12	1							W
		(A=E32721)									
62	1	135210-61090	LEAD	1							

Fig.22. GOVERNOR

729132-51390  
029428-66400



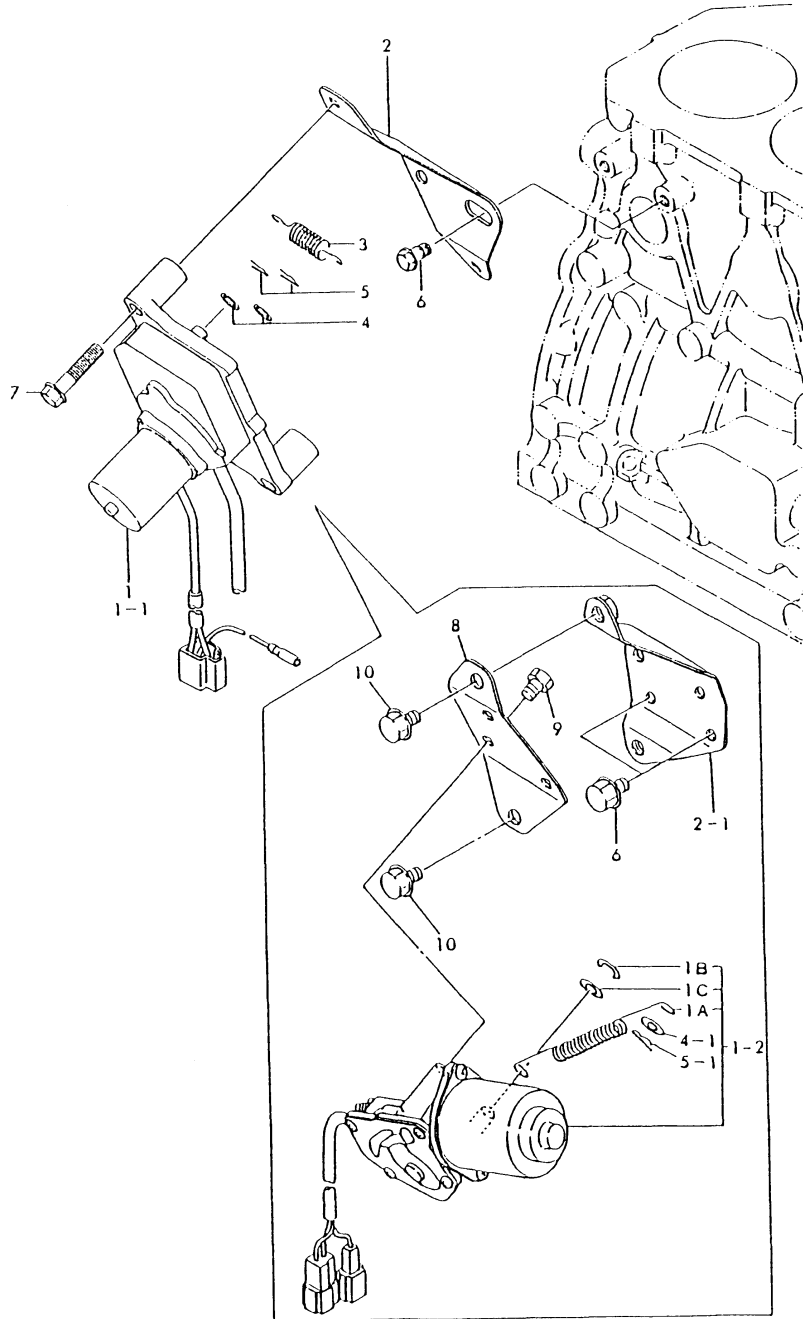
(A)=3TN84L-RFAVM  
(B)=  
(C)=

(D)=  
(E)=  
(F)=

No.	Lev.	Parts No.	Description	Q'ty						I	R
				(A)	(B)	(C)	(D)	(E)	(F)		
63	1	22451-060000	WIRE, 0.6	1							

Fig.23. ENGINE STOP

029137-66500



(A)=3TN84L-RFAVM

(B)=

(C)=

(D)=

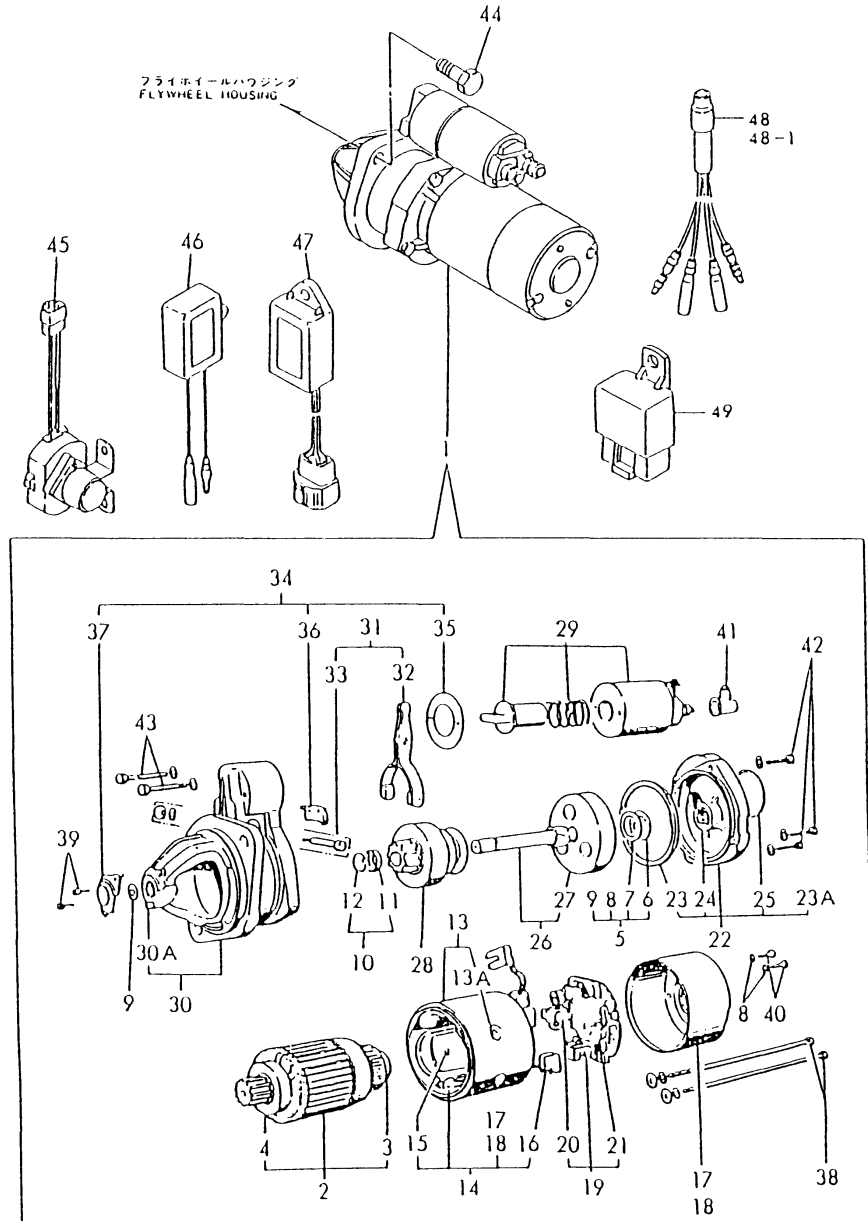
(E)=

(F)=

No.	Lev.	Parts No.	Description	Q'ty						I	R
				(A)	(B)	(C)	(D)	(E)	(F)		
1	1	129100-66800	MOTOR, STOP	1							
1-1	1	129150-66800	MOTOR, STOP	1							S
		(A=E11860)									
1-2	1	129136-66800	MOTOR ASSY, STOP	1							S
		(A=E27016)									
1A	2	129107-66830	SPRING, STOP MOTOR	1							W
		(A=E27016)									
1B	2	129566-66880	RING, SNAP	1							W
		(A=E27016)									
1C	2	129566-66890	WASHER	1							W
		(A=E27016)									
2	1	129155-66810	BRACKET, STOP MOTOR	1							
2-1	1	129107-66810	BRACKET, STOP MOTOR	1							S
		(A=E27016)									
3	1	129155-66820	SPRING	1							Z
		(A=E27016)									
4	1	22117-080000	WASHER, 8	2							
4-1	1	22117-080000	WASHER, 8	1							K
		(A=E27016)									
5	1	22360-080000	SNAP PIN 8	2							
5-1	1	22360-080000	SNAP PIN 8	1							K
		(A=E27016)									
6	1	26106-080122	BOLT, M8X 12 PLATED	2							
7	1	26106-080402	BOLT, M8X 40 PLATED	2							
7-1	1	26106-080382	BOLT, M8X 38 PLATED	2							N
		(A=E07139)									
7-2	1	26106-080402	BOLT, M8X 40 PLATED	2							N
		(A=E09409)									
7-3	1	26106-080402	BOLT, M8X 40 PLATED	2							Z
		(A=E27016)									
8	1	129107-66820	BRACKET, STOP MOTOR	1							W
		(A=E27016)									
9	1	26116-050102	BOLT, M5X 10 PLATED	3							W
		(A=E27016)									
10	1	26106-080122	BOLT, M8X 12 PLATED	2							W
		(A=E27016)									

Fig.24. STARTING MOTOR(COMPONENT PARTS)

D29410-77100  
D29135-93100



(A)=3TN84L-RFAVM

(B)=

(C)=

(D)=

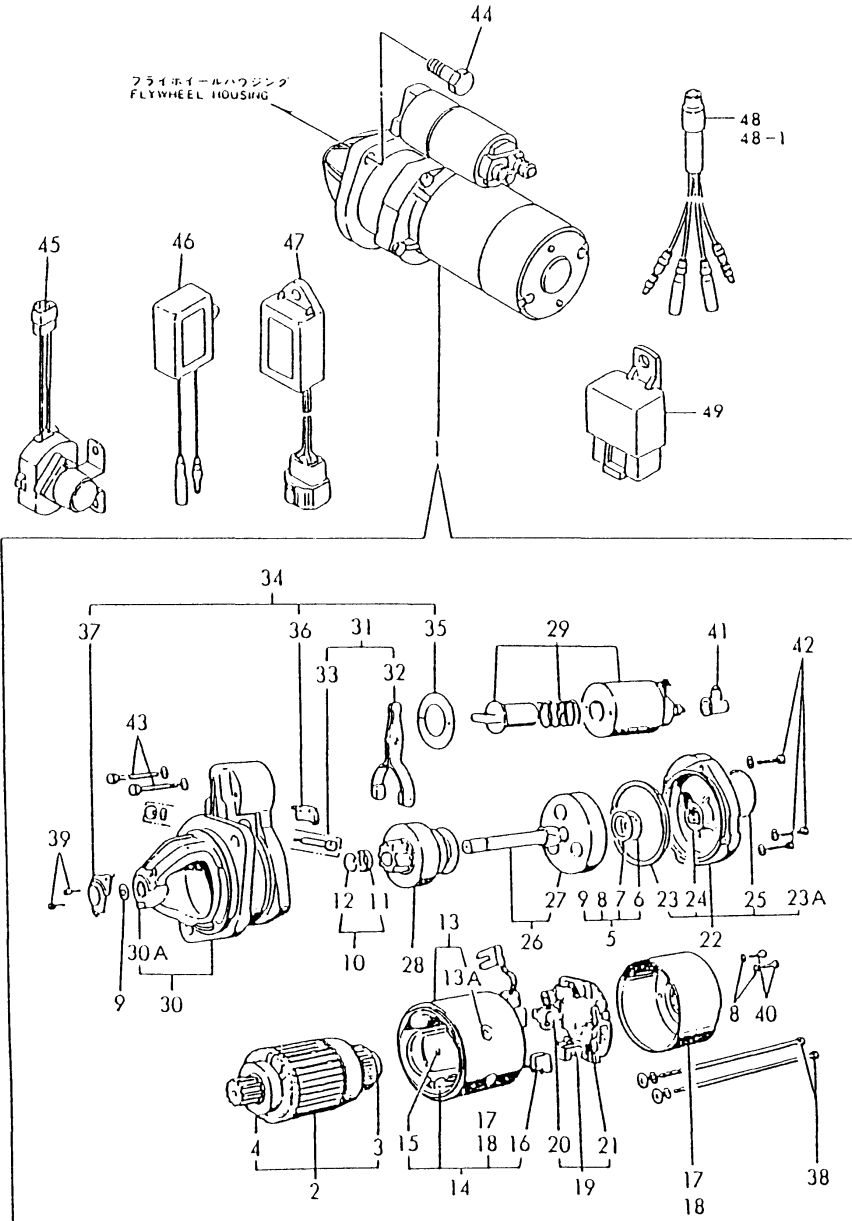
(E)=

(F)=

No.	Lev.	Parts No.	Description	Q'ty						I	R
				(A)	(B)	(C)	(D)	(E)	(F)		
1	1	121254-77011	STARTER, S13-41A	1							
1-1	1	121254-77012	STARTING MOTOR	1							N
		(A=E28711)									
2	2	121254-77400	ARMATURE ASSY	1							
2-1	2	121254-77401	AMATURE, (NON-ASB.)	1							N
		(A=E28711)									
3	3	121254-77410	BALL BEARING	1							Z
		(A=E28711)									
4	3	121254-77420	BALL BEARING	1							Z
		(A=E28711)									
5	2	121254-77430	WASHER KIT, THRUST	1							
6	3	121254-77440	WASHER, THRUST	1							
7	3	121254-77450	WASHER, THRUST	1							
8	3	121254-77460	WASHER, THRUST	1							
9	3	121254-77470	WASHER, THRUST	1							
10	2	121254-77480	STOPPER KIT, PINION	1							
11	3	121254-77490	STOPPER	1							
12	3	121254-77500	CLIP	1							
13	2	121254-77510	YORK ASSY	1							
13A	3	121254-77530	SCREW, POLE CORE	4							W
		(A=E12526)									
14	2	121254-77520	COIL ASSY, FIELD	1							
15	3	121254-77530	SCREW, POLE CORE	4							
16	3	121254-77540	BRUSH (+)	2							
17	2	121254-77550	COVER ASSY, REAR	1							
18	3	121254-77560	BOLT	1							
19	2	121254-77570	HOLDER ASSY, BRUSH	1							
20	3	121254-77580	BRUSH (-)	2							
21	3	121254-77590	SPRING, BRUSH	4							
22	2	121254-77600	BEARING ASSY, CENTER	1							
23	3	121254-77610	SEAL, OIL	1							
23-1	3	119129-77210	SEAL, OIL	1							N
		(A=E21934)									
23A	4	121254-77650	INNER	1							W
		(A=E12526)									
23A-1	4	121254-77650	INNER	1							Z
		(A=EXXX)									
24	3	121254-77620	NEEDLE BEARING	1							
24-1	3	119129-77220	BEARING, NEEDLE	1							N
		(A=E21934)									
25	3	121254-77630	O-RING	1							Z
		(A=E03519)									
26	2	121254-77640	SHAFT ASSY, GEAR	1							
27	3	121254-77650	INNER	1							
28	2	121254-77661	PINION ASSY	1							
29	2	121254-77670	SWITCH, MAGNETIC	1							
30	2	121254-77681	CASE ASSY, GEAR	1							
30A	3	121254-77690	METAL, GEAR CASE	1							W
		(A=E03519)									
31	2	121254-77700	LEVER SET, SHIFT	1							
32	3	121254-77710	LEVER, SHIFT	1							

Fig.24. STARTING MOTOR(COMPONENT PARTS)

029410-77100  
029135-93100



(A)=3TN84L-RFAVM

(B)=

(C)=

(D)=

(E)=

(F)=

No.	Lev.	Parts No.	Description	Q'ty						I	R
				(A)	(B)	(C)	(D)	(E)	(F)		
33	3	121254-77720	PIN	1							
34	2	121254-77730	COVER SET, DUST	1							
35	3	121254-77740	COVER, DUST	1							
36	3	121254-77750	COVER, DUST	1							
37	3	121254-77760	COVER, DUST	1							
38	2	121254-77770	BOLT, THROUGH	2							
39	2	121254-77780	SCREW 5	2							
39-1	2	26450-050122	BOLT, M5X 12	2							N
		(A=E12526)									
40	2	121254-77790	SCREW 4	2							
41	2	121254-77810	COVER, TERMINAL	1							
42	2	26106-060302	BOLT, M6X 30 PLATED	3							
43	2	26106-060452	BOLT, M6X 45 PLATED	2							
44	1	26116-120252	BOLT, M12X 25 PLATED	2							
45	1	171051-77100	RELAY, SAFETY	1							
46	1	160970-77350	RECTIFIER, ZR2117	1							Z
		(A=E02869)									
47	1	128300-77920	TIMER	1							
48	1	171091-77920	CONDENSER	1							W
		(A=E02869)									
48-1	1	171091-12900	CONDENSER	1							N
		(A=E02869)									
		(A=E02869)									
49	1	119247-77100	RELAY, SAFETY	2							W
		(A=E32721)									

Fig.25. GENERATOR(COMPONENT PARTS)

029100-77210  
029410-77300

(A)=3TN84L-RFAVM

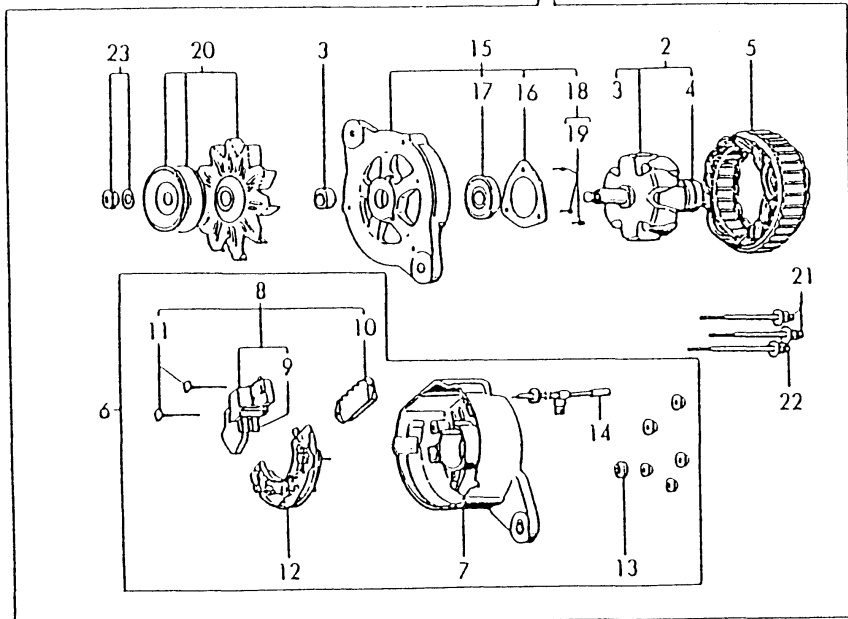
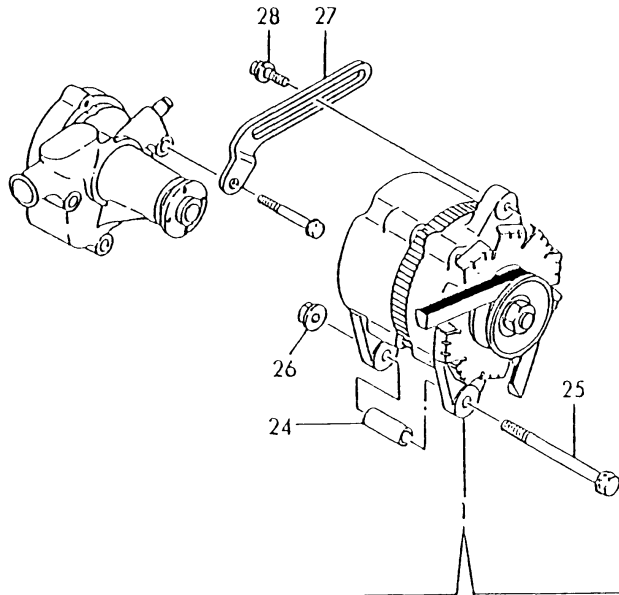
(B)=

(C)=

(D)=

(E)=

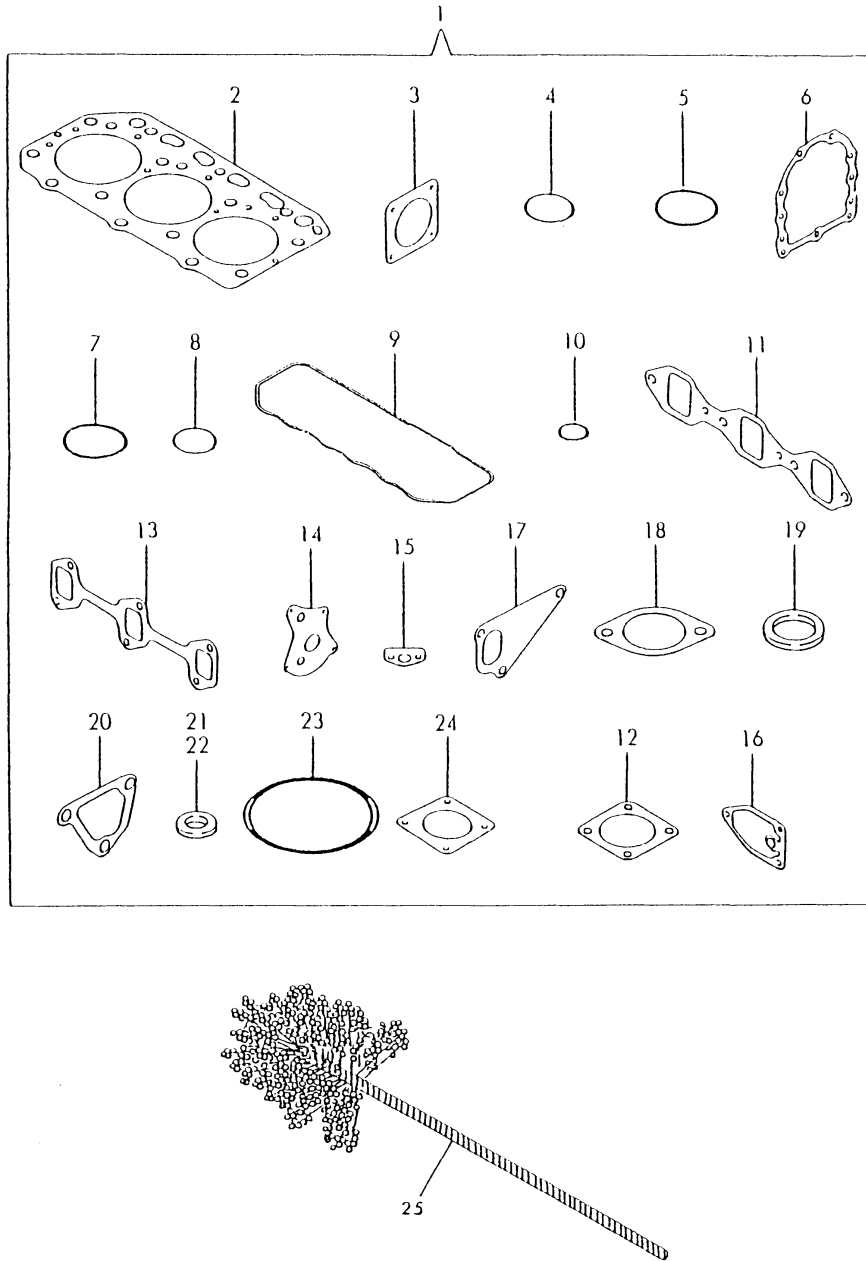
(F)=



No.	Lev.	Parts No.	Description	Q'ty						I	R
				(A)	(B)	(C)	(D)	(E)	(F)		
1	1	124080-77201	GENERATOR, LR135-91	1							
2	2	124080-77300	ROTOR ASSY	1							
3	3	124080-77310	SPACER	1							
4	3	124080-77490	BALL BEARING	1							
5	2	124080-77320	STATOR ASSY	1							
6	2	124080-77330	COVER ASSY	1							
7	3	124080-77340	COVER, REAR	1							
8	3	124080-77350	BRUSH ASSY,REGULATOR	1							
9	4	124080-77360	BRUSH ASSY	2							
10	4	124080-77390	REGULATOR ASSY	1							
11	4	124080-77520	BOLT M5	2							
12	3	124080-77400	DIODE ASSY	1							
13	4	124080-77410	BUSH	1							
14	3	124080-77530	WIRE ASSY, LEAD	1							
15	2	124080-77420	COVER ASSY	1							
16	3	124080-77430	RETAINER, BEARING	1							
17	3	124080-77480	BEARING, 6202DDU	1							
18	3	124080-77500	SCREW KIT	1							
19	4	124080-77510	SCREW 4X12	3							
20	2	124080-77440	PULLEY ASSY	1							
21	2	124080-77450	BOLT, THROUGH	2							
22	2	124080-77460	BOLT, THROUGH	1							
23	2	124080-77470	NUT ASSY, PULLEY	1							
24	1	129150-77340	SPACER	1							
25	1	26106-081202	BOLT, M8X120 PLATED	1							
26	1	26366-080002	NUT, M8	1							
27	1	129410-77330	ADJUSTER	1							
28	1	26014-080252	BOLT, M8X 25	1							



Fig.26. GASKET SET



(A)=3TN84L-RFAVM

(B)=

(C)=

(D)=

(E)=

(F)=

No.	Lev.	Parts No.	Description	Q'ty						I	R
				(A)	(B)	(C)	(D)	(E)	(F)		
1	1	729131-92600	GASKET SET	1							1
1-1	1	729131-92602	GASKET SET	1							N 1
(A=E27688)											
2	2	129157-01332	GASKET, HEAD	1							
3	2	124240-01882	GASKET	1							
3-1	2	124240-01883	GASKET	1							N
(A=E23653)											
4	2	121850-51960	O-RING	1							
5	2	24311-000320	O-RING, 1AP32.0	1							
6	2	129150-01660	GASKET	1							Z
(A=E11860)											
7	2	24341-000500	O-RING, 1AS50.0	1							
8	2	121420-01760	O-RING	1							
8-1	2	24311-000320	O-RING, 1AP32.0	1							N
(A=E06775)											
9	2	129150-11310	GASKET, BONNET	1							
10	2	24311-000120	O-RING, 1AP12.0	3							
11	2	129150-12110	GASKET, MANIFOLD	1							
11-1	2	129150-12111	GASKET, MANIFOLD	1							N
(A=E27688)											
12	2	124701-11910	GASKET, SILENCER	2							
12-1	2	124701-11911	GASKET, SILENCER	2							N
(A=E27688)											
13	2	129150-13110	GASKET	1							
14	2	129150-32020	GASKET, PUMP	1							
15	2	129150-35040	GASKET	1							
15-1	2	129150-35041	GASKET	1							N
(A=E27688)											
16	2	129150-35110	GASKET	1							
16-1	2	129150-35111	GASKET	1							N
(A=E27688)											
17	2	129100-42020	GASKET, WATER PUMP	1							
18	2	129795-49550	GASKET	1							
18-1	2	129795-49551	GASKET	1							N
(A=E27688)											
19	2	129150-49810	GASKET, THERMOSTAT	2							
19-1	2	129150-49811	GASKET, THERMOSTAT	2							N
(A=E27688)											
20	2	129100-49840	GASKET	1							
21	2	124465-44950	GASKET, 16	2							
22	2	129150-49360	GASKET	1							
23	2	24321-000650	O-RING, 1AG65.0	1							
24	2	129150-77510	GASKET	1							
24-1	2	129150-77511	GASKET	1							N
(A=E27688)											
25	1	129400-92420	FLEX HORN	1							1

Remarks

(1) OPTIONAL PART.

N:Old  $\xrightarrow{\text{Yes}}$  New, Q:Old  $\xrightarrow{\text{No}}$  New, R:Old  $\xrightarrow{\text{Yes}}$  New, S:Old  $\xrightarrow{\text{No}}$  New, W:Add, Z:Discontinued, F:Interchangeable by set, K:Q'ty Change

## Parts No. Index

Parts No.	Fig. No.	Ref. No.
101304-59020	20	17 -1
103338-11190	6	12
103854-39140	20	16
104200-55321	20	2
104200-55330	20	3
104200-55750	20	4
104200-59170	20	19
105025-59530	20	21 -1
105025-59750	21	7 -1
114250-53080	19	3
114250-53120	19	5
114250-53130	19	6
114250-53140	19	7
114250-53210	19	8
114250-53400	19	9
119129-77210	24	23 -1
119129-77220	24	24 -1
119247-77100	24	49
119260-34810	13	5
119620-01750	3	3
119620-13550	9	3
119620-49290	17	1
119625-11870	6	28
119625-11880	6	29
119625-11900	6	30
119808-12510	7	4 -1
119808-12520	7	3 -1
119808-12530	7	5 -1
119808-12540	7	10
119810-51040	18	2
119840-59560	21	4
119840-59570	21	5
119865-21600	11	11
119865-35300	13	14
120130-11860	6	33
121023-01550	2	22
121100-22400	12	4
		4 -2
121111-21501	11	9
121250-59550	21	3
121254-77011	24	1
121254-77012	24	1 -1
121254-77400	24	2
121254-77401	24	2 -1
121254-77410	24	3
121254-77420	24	4
121254-77430	24	5
121254-77440	24	6
121254-77450	24	7
121254-77460	24	8

Parts No.	Fig. No.	Ref. No.
121254-77470	24	9
121254-77480	24	10
121254-77490	24	11
121254-77500	24	12
121254-77510	24	13
121254-77520	24	14
121254-77530	24	13 A
		15
121254-77540	24	16
121254-77550	24	17
121254-77560	24	18
121254-77570	24	19
121254-77580	24	20
121254-77590	24	21
121254-77600	24	22
121254-77610	24	23
121254-77620	24	24
121254-77630	24	25
121254-77640	24	26
121254-77650	24	23 A
		23 A-1
		27
121254-77661	24	28
121254-77670	24	29
121254-77681	24	30
121254-77690	24	30 A
121254-77700	24	31
121254-77710	24	32
121254-77720	24	33
121254-77730	24	34
121254-77740	24	35
121254-77750	24	36
121254-77760	24	37
121254-77770	24	38
121254-77780	24	39
121254-77790	24	40
121254-77810	24	41
121256-44600	17	11
121256-59072	20	23
121400-11340	6	13
121420-01760	5	7
	26	8
121420-12511	7	3
121420-12530	7	5
121420-12540	7	6
121420-12550	7	7
121420-12561	7	8
121450-01560	2	3
121450-42450	17	4
121492-42290	15	5

Parts No.	Fig. No.	Ref. No.
121505-12210	7	1
121550-23200	12	8
121850-11860	6	3
	15	1
121850-21680	11	7
121850-51960	2	9
	26	4
122117-51560	18	34
122710-51090	18	5
124066-59100	20	14
	21	2
124080-77201	25	1
124080-77300	25	2
124080-77310	25	3
124080-77320	25	5
124080-77330	25	6
124080-77340	25	7
124080-77350	25	8
124080-77360	25	9
124080-77390	25	10
124080-77400	25	12
124080-77410	25	13
124080-77420	25	15
124080-77430	25	16
124080-77440	25	20
124080-77450	25	21
124080-77460	25	22
124080-77470	25	23
124080-77480	25	17
124080-77490	25	4
124080-77500	25	18
124080-77510	25	19
124080-77520	25	11
124080-77530	25	14
124160-01751	2	4
	5	23
124160-01910	1	2
124160-11360	5	12
124160-39140	14	1
124160-39450	14	2
124240-01871	2	6
124240-01882	2	7
	26	3
124240-01883	2	7 -1
	26	3 -1
124450-44510	17	6
124450-44530	17	7
124450-44550	17	10
124450-44560	17	8
124460-11340	6	14

Parts No.	Fig. No.	Ref. No.
124465-44950	17	5
	26	21
124550-51350	18	20
124550-51370	18	21
124550-59820	14	4
124550-66370	22	35
124701-11910	9	1
	26	12
124701-11911	9	1 -1
	26	12 -1
124736-07900	6	35
124766-59050	20	18
		18 -1
	21	1
124770-11770	16	4
124936-59090	20	24
124950-51190	18	10
128170-51300	18	17
128300-77920	24	47
129100-01580	3	1
		6
	11	4 B
		8
129100-01640	3	7
129100-01730	4	5
129100-11100	6	8
129100-11110	6	9
129100-11350	5	1
129100-23910	12	10
129100-25061	10	6
129100-42001	15	2
129100-42002	15	2 -1
129100-42020	15	3
	26	17
129100-49050	17	2
129100-49800	16	3
129100-49820	16	5
129100-49830	16	6
129100-49840	16	11
	26	20
129100-52000	18	58 A
129100-52100	18	60
129100-55621	20	1
129100-55650	20	10
129100-55670	20	6
129100-55680	20	7
129100-55690	20	8
129100-55700	20	11
129100-59910	19	13
129100-59920	19	14

## Parts No. Index

Parts No.	Fig. No.	Ref. No.
129100-59930	19	15
129100-59951	21	8
129100-61400	22	16
129100-61440	22	18
129100-61450	22	19
		54
129100-61650	22	27
129100-61821	22	31 -1
129100-61930	22	33
129100-66800	23	1
129100-77500	8	10
129100-77510	8	11
129105-22080	12	1
		1 -2
129105-22500	12	2 -1
129107-66810	23	2 -1
129107-66820	23	8
129107-66830	23	1 A
129108-61000	22	1
129122-12100	8	1
129128-34810	13	6
129129-14580	10	1
129135-01600	3	2
129135-01770	4	1 -1
129135-12500	7	2
129135-12501	7	2 -1
129135-12520	7	4
129135-13500	9	2
129135-13501	9	2 -1
129135-21590	11	10
129135-34800	13	4
129135-35090	13	9
129136-34820	13	6 -1
129136-66800	23	1 -2
129150-01200	1	14
129150-01660	3	9
	26	6
129150-02020	1	8
129150-02450	1	12
	10	3 A
129150-02800	1	9
129150-02870	1	16
129150-02930	1	10
129150-02940	1	17
129150-03010	5	1 A
129150-03070	5	3
129150-03080	5	2
129150-03100	2	28
	5	11
129150-11050	6	2

Parts No.	Fig. No.	Ref. No.
129150-11230	6	26
129150-11280	6	21
129150-11290	6	22
129150-11310	5	9
	26	9
129150-11370	6	15
129150-11750	6	25
129150-11810	6	34
129150-12110	8	2
	26	11
129150-12111	8	2 -1
	26	11 -1
129150-13110	8	5
	26	13
129150-14101	10	2
129150-14200	10	4
129150-14400	10	5
129150-21200	11	2
129150-22300	12	3
		3 -2
129150-23600	12	9
129150-23610	12	11
129150-25101	10	7
129150-25900	18	61
129150-32000	13	1
129150-32020	13	2
	26	14
129150-35040	13	8
	26	15
129150-35041	13	8 -1
	26	15 -1
129150-35101	13	11
129150-35110	13	12
	26	16
129150-35111	13	12 -1
	26	16 -1
129150-35150	13	13
129150-35350	13	15
129150-39450	14	3
129150-49360	17	12
	26	22
129150-49810	16	10
	26	19
129150-49811	16	10 -1
	26	19 -1
129150-59020	20	17
129150-59120	19	10
129150-59130	19	11
129150-59580	20	15
	21	6

Parts No.	Fig. No.	Ref. No.
129150-66800	23	1 -1
129150-77340	25	24
129150-77510	8	12
	26	24
129150-77511	8	12 -1
	26	24 -1
129150-91400	2	25
129155-11241	6	18
129155-11260	6	19
129155-11270	6	20
129155-49800	16	9
129155-51020	18	56 -1
129155-51050	18	3
129155-51060	18	4
129155-51140	18	7
129155-51180	18	9
129155-51200	18	11
129155-51270	18	15
129155-51280	18	16
	22	1 A
129155-51320	18	18
129155-51340	18	19
129155-51370	18	22
129155-51380	18	23
129155-51390	18	24
129155-51400	18	25
129155-51410	18	26
129155-51420	18	27
129155-51450	18	28
129155-51500	18	29
129155-51521	18	30
129155-51530	18	31
129155-51540	18	32
129155-51550	18	33
129155-51570	18	36
129155-51580	18	37
129155-51591	18	38
129155-51600	18	39
129155-51700	18	40
129155-51710	18	41
129155-51750	18	42
129155-51760	18	43
129155-51790	18	44
129155-51930	18	46
129155-51940	18	47
129155-52050	18	59
129155-61010	22	2
129155-61011	22	2 -1
129155-61050	22	3
129155-61060	22	4

Parts No.	Fig. No.	Ref. No.
129155-61070	22	5
129155-61090	22	6
129155-61120	22	7
129155-61130	22	8
129155-61140	22	9
129155-61150	22	10
129155-61160	22	11
129155-61170	22	12
129155-61180	22	13
129155-61201	22	14
129155-61341	22	15
129155-61430	22	17
129155-61450	22	20
129155-61460	22	21
129155-61480	22	22
129155-61490	22	23
129155-61540	22	26
129155-61800	22	29
129155-61802	22	29 -1
129155-61810	22	30
129155-61820	22	31
129155-61830	22	32
		32 -1
129155-61950	22	34
129155-66810	23	2
129155-66820	23	3
129156-51910	18	45
129157-01332	1	15
	26	2
129202-22300	12	3 -1
129255-59580	20	21
	21	7
129255-61802	22	29 -2
129350-49530	16	1
129400-01520	2	5
129400-51100	18	6
129400-92420	26	25
129410-77330	25	27
129500-61500	22	24
129503-53000	19	2
129555-59510	20	20
129556-42350	15	6
129566-66880	23	1 B
129566-66890	23	1 C
129795-01780	3	8
129795-01800	2	2
129795-01950	2	8
129795-02411	1	11
129795-11120	6	10
129795-11180	6	11

## Parts No. Index

Parts No.	Fig. No.	Ref. No.
129795-21661	11	6
129795-49550	16	2
	26	18
129795-49551	16	2 -1
	26	18 -1
135210-61090	22	62
160970-77350	24	46
171051-01921	1	3
171051-77100	24	45
171058-01630	4	2
171058-01640	4	3
171061-12800	7	9
171091-12900	24	48 -1
171091-77920	24	48
171340-21650	11	5
171340-77520	8	13
171350-03090	5	10
171350-13100	8	4
171353-44760	15	8
171353-61700	22	28 -1
		28 -2
171353-61710	22	28
		60
171440-44740	15	7
174307-51170	18	8
174307-51560	18	35
174307-51700	22	25
194990-22050	8	6
	9	4
22117-040000	22	36
		36 -1
22117-080000	23	4
		4 -1
22190-100000	22	37
22217-050000	18	48
	22	38
22217-060000	18	49
22217-120000	18	62
22252-000260	12	4 -1
22272-000040	22	39
22272-000060	22	40
22287-120000	22	41
22351-030016	22	42
22351-040010	11	3
		12
22351-050010	18	50
22351-060012	6	16
22360-040000	22	43 -1
22360-050000	22	43
22360-080000	23	5

Parts No.	Fig. No.	Ref. No.
22360-080000	23	5 -1
22372-040000	22	43 -2
22451-060000	22	63
22512-070140	10	3
	11	4
	20	22
23000-013000	17	3
23061-070230	17	9
23414-050000	22	44
23414-080000	14	5
23414-100000	14	6
23414-120000	21	9
23871-010000	1	4
23871-030000	6	4
	16	7
23887-100002	22	45
24101-063034	18	51
24311-000120	5	13
	26	10
24311-000160	2	10
	13	16
	20	12
24311-000260	2	23
24311-000320	2	11
	5	24
	26	5
		8 -1
24311-240100	13	7
	20	5
	22	53
24321-000650	20	9
	26	23
24341-000160	18	52
24341-000240	2	26
24341-000500	5	4
	26	7
26014-080252	25	28
26014-080702	20	13 -1
26022-050102	18	53
	22	48 -1
26022-060162	18	54
26106-060122	2	24
26106-060162	2	27
26106-060202	22	46
26106-060302	24	42
26106-060352	15	9
26106-060452	24	43
26106-080122	2	12
	23	6
		10

Parts No.	Fig. No.	Ref. No.
26106-080142	6	36
26106-080162	1	13
	2	13
		14
	4	4
	5	5
26106-080202	2	15
	13	17
	16	12
26106-080252	4	6
	6	31
	8	3
	16	13
26106-080302	3	10
26106-080352	3	11
	13	10
26106-080382	23	7 -1
26106-080402	8	14
	23	7
		7 -2
		7 -3
26106-080452	2	16
	4	7
	10	9
26106-080502	6	32
	16	14
26106-080552	2	17
26106-080602	4	8
	15	4
	16	15
26106-080652	20	13
26106-080802	8	7
		15
26106-080852	2	18
26106-081002	4	9
26106-081202	25	25
26116-050102	23	9
26116-050302	18	55
26116-060162	16	8
26116-120252	24	44
26206-100252	3	4
26206-100302	3	5
26216-060142	18	56
26216-060202	6	5
26216-080222	8	8
26216-080802	8	9
26226-080182	6	27
26366-060002	6	17
26366-080002	2	19
	22	47

Parts No.	Fig. No.	Ref. No.
26366-080002	25	26
26450-050122	24	39 -1
26450-060252	13	3
26557-050102	22	48
26687-120002	22	61
26716-060002	18	57
26716-120002	18	63
26756-060002	22	49
		49 -1
26776-120002	22	50
		50 -1
26777-120002	22	51
27231-500000	1	5
27241-120000	1	6
27241-220000	6	6
27241-300000	1	7
27241-400000	6	7
27310-080001	6	12 -1
43400-500390	22	44 -1
43400-500410	2	20
		21
43400-500430	22	37 -1
43400-500450	22	52
43400-500490	18	58
529002-22080	12	1 -1
719810-01500	2	1
729102-11700	6	1
729102-21700	11	1 -1
729105-22900	12	5
729105-51350	18	1
729131-92600	26	1
729131-92602	26	1 -1
729132-51390	18	1 -1
729135-01540	4	1
729150-11651	6	24
729150-21700	11	1
729150-23700	12	7
729157-01560	1	1
729157-22500	12	2
729157-22950	12	6
729402-11650	6	24 -1
729402-23100	12	7 -1
729503-53100	19	1