

OCD10-M36700EN

PREFACE

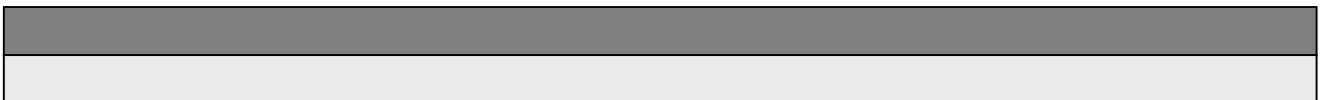
1. This Parts Catalog is the 1st edition of L60/75ADEVSA Diesel Engine for SAKAI.

Pub. No. : 000Y00D3670

Published : January, 1990

2. Model name

Engine model	Vehicle		Vehicle made by
	Products	Model name	
L60/75ADEVSA	VIBRATION ROLLER	—	SAKAI



Directions for the Parts Catalog.

1. The parts stipulated in this Parts Catalog are not necessarily standard equipped parts.
2. Parts may change without prior notice.
3. The following is an example of the Parts Catalog format.

REF.	LEV.	PARTS NO.	DESCRIPTION	Q'TY						I	R
				(A)	(B)	(C)	(D)	(E)	(F)		
1	1	729595-51390	FUEL INJECTION PUMP	1	1	1	1	1			1
1-1	1	729595-51391	FUEL INJECTION PUMP	1	1	1	1	1		N	1
		(A=E00185) (B=E00200)									
3	2	26022-060162	SCREW M 6X 16	9	9	9	9	9			
3-1	2	26022-060162	SCREW M 6X 16	4	4	4	4	4		K	
		(A=E00156) (B=E00156) (C=E00156) (D=E00156) (E=E00156)									
4	2	129470-51040	CAMSHAFT	1	1	1	1	1			
5	2	122710-51050	BEARING, ROLLER	2	2	2	2	2			
6	2	129470-51060	RETAINER	1	1	1	1	1			

Remarks
(1) BOOST COMPEMSATOR TYPE. OPTIONAL PART, TO E00155,(4JH-DT, 4JH-DTZ

① Ref. No.

The Ref. No. listed may not be in accordance with the illustration Ref. No.

(Ex.) Illustration No.

List Ref No.

1

1

(Before change)

1-1

(After change)

For interchangeable symbols N, R and K, illustrations for new parts may be abbreviated.

② Lev. (Level)

Level indication

The numbers below indicate the level of relativity towards the main part.

1 ----- Main parts (Assembly parts)

2 ----- Sub component included in " 1 ".

3 ----- Sub component included in " 2 ".

Note) Parts that are not for sale are partially illustrated but not listed.

③ Interchangeability Mark

When a part change takes place, one of the following interchangeability symbols is indicated beside the part.

Symbol	Interchangeability	Contents note
N	Old $\begin{matrix} \leftarrow \text{Yes} \\ \text{No} \rightarrow \end{matrix}$ New	New Part is interchangeable for Old Part but Old Part is not interchangeable for New Part.
Q	Old $\begin{matrix} \leftarrow \text{No} \\ \text{Yes} \rightarrow \end{matrix}$ New	New Part is not interchangeable for Old Part but Old Part is interchangeable for New Part.
R	Old $\begin{matrix} \leftarrow \text{Yes} \\ \text{Yes} \rightarrow \end{matrix}$ New	New/ Old Parts are both interchangeable.
S	Old $\begin{matrix} \leftarrow \text{No} \\ \text{No} \rightarrow \end{matrix}$ New	New/ Old Parts are both not interchangeable.
W		Part newly added.
Z		Part discontinued.
F		Not interchangeable by a single part but interchangeable together with related parts.
K		Changes only for used parts quantities.

④ Effective Machine No.

When a part changes, the effective Machine No. will be indicated in the (A)-(F) column.

Product Symbol	Product No.	Product Symbol	Product No.
C	Clutch No. Compressor No.	F	Machine No. (Agricultural Equip.)
D	Drive No.	M	Machine No.
E	Engine No.		

Note 1) A date may follow the symbol. (Ex.) 1996.01

Note 2) "XXXXX" and "ZZZZZ" are for parts that could not be predicted or for engine models that could not be identified.

Note 3) (A=E00185) is the E (Engine Serial Number) for the column (A) model (in this case 4JH-DT) after the parts design change.

⑤ Remarks Mark

Figures or alphabets (symbols) are entered in the remarks column.

The comments (remarks) on parts that are indicated at the bottom of the illustration are the same symbols as those stated above.

Contents

Fig. No. Fig. Name

L60ADEVSA

1. CYLINDER BLOCK
2. CYLINDER HEAD & BONNET
3. AIR CLEANER & MUFFLER
4. CRANKSHAFT,PISTON & CAMSHAFT
5. LUB. OIL PUMP & GOVERNOR
6. COOLING & STARTING DEVICE
7. FUEL INJECTION PUMP
8. FUEL TANK & FUEL PIPE
9. STARTING MOTOR & DYNAMO
10. TOOL,LABEL & GASKET SET

Fig. No. Fig. Name

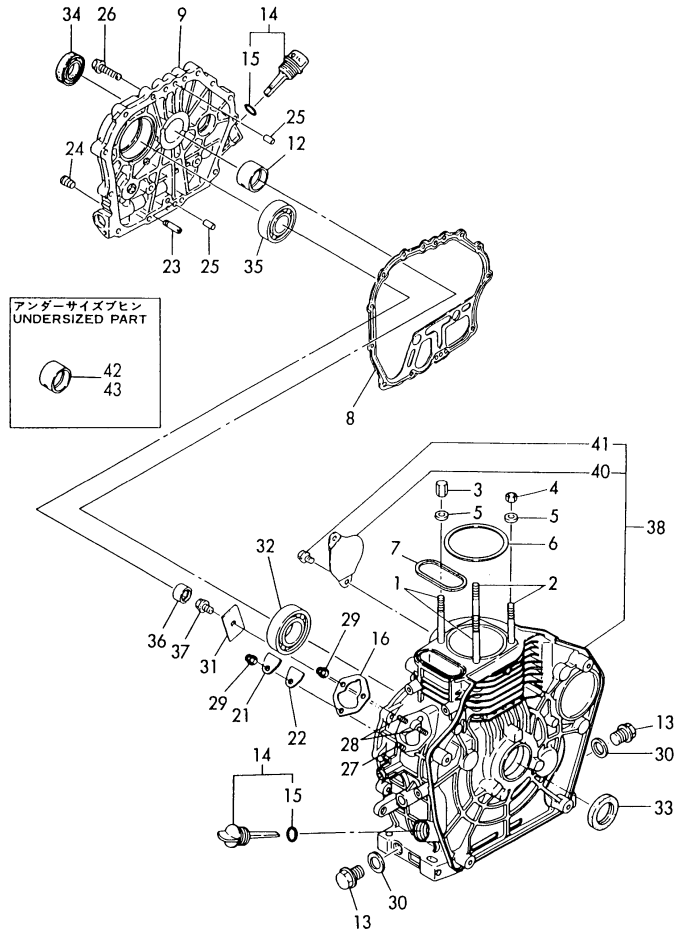
L75ADEVSA

11. CYLINDER BLOCK
12. CYLINDER HEAD & BONNET
13. AIR CLEANER & MUFFLER
14. CRANKSHAFT,PISTON & CAMSHAFT
15. LUB. OIL PUMP & GOVERNOR
16. COOLING & STARTING DEVICE
17. FUEL INJECTION PUMP
18. FUEL TANK & FUEL PIPE
19. STARTING MOTOR & DYNAMO
20. LABEL,TOOL & GASKET SET

Fig.1. CYLINDER BLOCK

Fig. 1 シリンダブロック
CYLINDER BLOCK

SPEC. CODE
D14371-01100
D14380-01500
D14370-01710
D14350-02100
D14280-39100



(A)=L60ADEVSA
(B)=L75ADEVSA
(C)=

(D)=
(E)=
(F)=

No.	Lev.	Parts No.	Description	Q'ty						I	R
				(A)	(B)	(C)	(D)	(E)	(F)		
1	1	114350-01200	BOLT, HEAD	2							
2	1	114350-01210	BOLT, HEAD	2							
3	1	114350-01220	NUT, CYLINDER HEAD	2							
4	1	114350-01250	NUT, CYLINDER HEAD	2							
5	1	105225-01240	WASHER	4							
6	1	114350-01340	GASKET, HEAD	1							
7	1	114350-01380	O-RING	1							
8	1	114350-01412	GASKET, CRANK CASE	1							
9	1	114360-01453	COVER, CRANK CASE	1							
12	1	114350-02100	BEARING, MAIN	1							1
13	1	105425-01690	PLUG, 16	2							
14	1	160910-01740	CAP ASSY	2							
15	2	24311-000180	O-RING, 1AP18.0	2							
16	1	114250-01800	SHIM SET	1							
21	1	114250-01830	COVER	1							
22	1	114250-01840	GASKET	1							
23	1	114250-35150	PIPE, OIL INLET	1							
24	1	23871-010000	PLUG, R01	1							
25	1	22312-080120	PIN, PARALLEL M8X12	2							
26	1	26106-080352	BOLT, M8X 35 PLATED	15							
27	1	26226-060182	STUD, M6X 18	1							
28	1	26226-060222	STUD, M6X 22	2							
29	1	26366-060002	NUT, M6	3							
30	1	43400-500490	SEAL WASHER 16	2							
31	1	114250-02030	RETAINER, BEARING	1							
32	1	114350-02113	BEARING, B35-135G3C3	1							
33	1	160110-02220	SEAL, OIL	1							
34	1	160110-02220	SEAL, OIL	1							
35	1	24101-062060	BEARING, BALL 6206C3	1							
36	1	24162-152112	BEARING, 152112	1							
37	1	26106-080122	BOLT, M8X 12 PLATED	1							
38	1	714371-01560	BLOCK ASSY, CYLINDER	1							
40	2	114350-01700	COVER	1							
41	2	26106-100122	BOLT, M10X 12 PLATED	2							
42	1	114350-02200	BEARING, 0.25 US	1							2
43	1	114350-02210	BEARING, 0.50 US	1							2

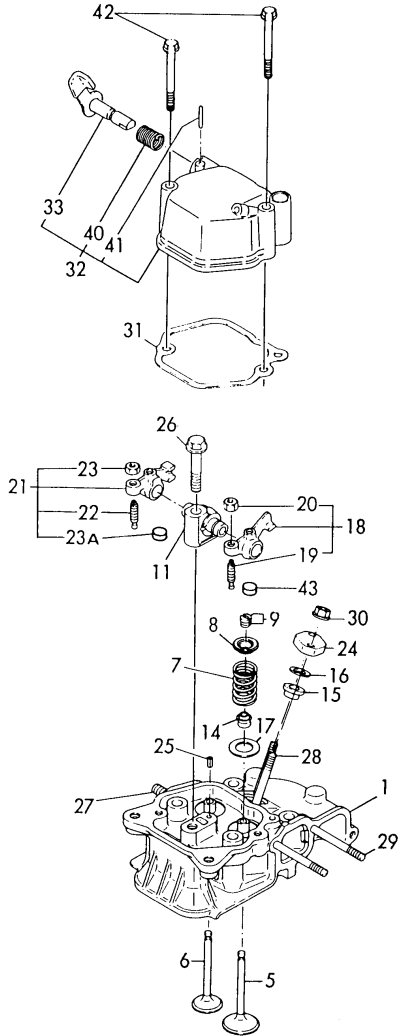
Remarks

- (1) ONLY FOR REPAIR.
- (2) UNDERSIZED PART.

Fig.2. CYLINDER HEAD & BONNET

Fig. 2 シリンダヘッド&ボンネット
CYLINDER HEAD & BONNET

SPEC. CODE
D14350-11100
D14250-11200



(A)=L60ADEVSA
(B)=L75ADEVSA
(C)=

(D)=
(E)=
(F)=

No.	Lev.	Parts No.	Description	Q'ty						I	R
				(A)	(B)	(C)	(D)	(E)	(F)		
1	1	114450-11021	HEAD ASSY, CYLINDER	1							
5	1	114350-11101	VALVE, INTAKE	1							
6	1	114350-11113	VALVE, EXHAUST	1							
7	1	114350-11120	SPRING, VALVE	2							
8	1	101158-11180	RETAINER, SPRING	2							
9	1	27310-060001	COTTER, 6	2							
11	1	114250-11290	SUPPORT, ROCKER ARM	1							
14	1	114350-11340	SEAL, VALVE STEM	2							
15	1	114250-11460	GASKET, NOZZLE	1							
16	1	114350-11470	SPACER, NOZZLE	1							
17	1	114250-11600	WASHER	2							
18	1	114250-11651	ARM, ROCKER	1							
19	2	114250-11240	SCREW, VALVE ADJUST	2							
20	2	26756-060002	NUT, LOCK M6	2							
21	1	714370-11660	ARM ASSY, ROCKER	1							
22	3	114250-11240	SCREW, VALVE ADJUST	2							
23	3	26756-060002	NUT, LOCK M6	2							
23A	3	105010-11490	CAP, VALVE	1							
24	1	114250-11900	RETAINER, NOZZLE	1							
25	1	22351-040008	PIN, SPRING 4.0X 8	1							
26	1	26106-080452	BOLT, M8X 45 PLATED	1							
27	1	26216-080182	STUD, M8X 18	2							
28	1	26226-060502	STUD, M6X 50	2							
29	1	26226-060552	STUD, M6X 55	2							
30	1	26366-060002	NUT, M6	2							
31	1	114250-11310	GASKET, BONNET	1							
32	1	114250-11951	BONNET ASSY, HEAD	1							
33	2	114250-03591	LEVER ASSY	1							
40	2	114250-03640	SPRING, DECOMPRESSION	1							
41	2	22312-030160	PIN, PARALLEL M3X16	1							
42	1	26106-060552	BOLT, M6X 55 PLATED	2							
43	1	105010-11490	CAP, VALVE	1							

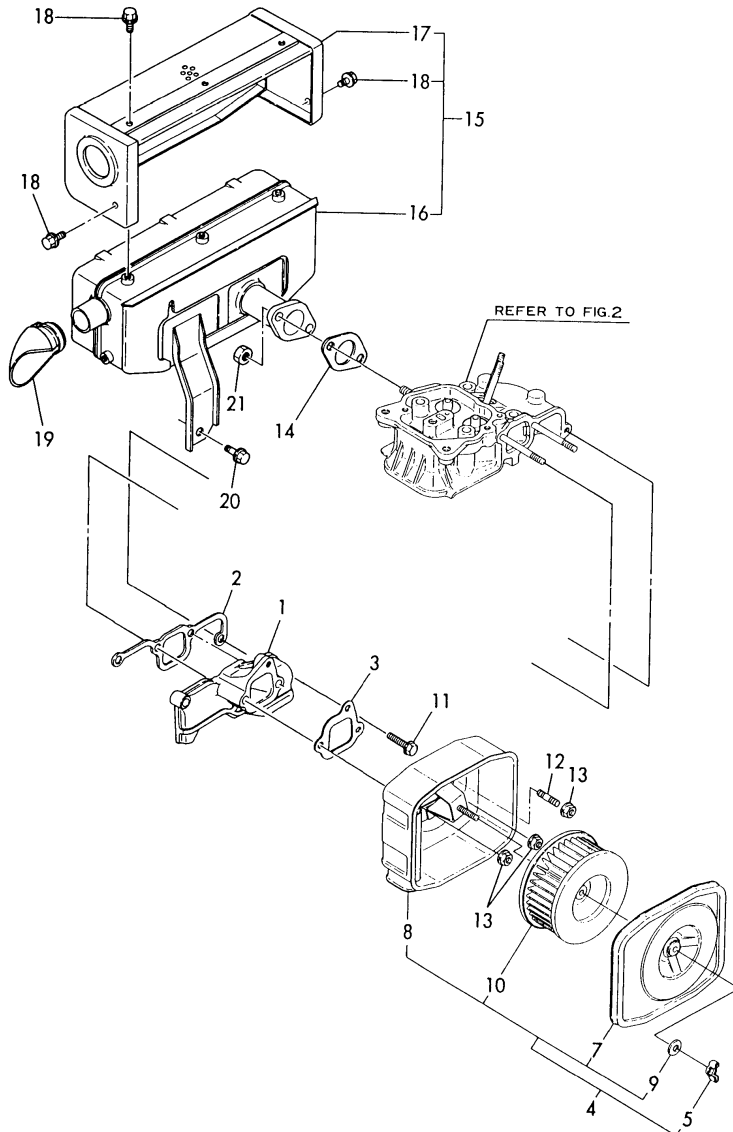
Fig.3. AIR CLEANER & MUFFLER

(A)=L60ADEVSA
(B)=L75ADEVSA
(C)=

(D)=
(E)=
(F)=

Fig.3 エアクリーナ&マフラ
AIR CLEANER & MUFFLER

SPEC. CODE
D14350-12110

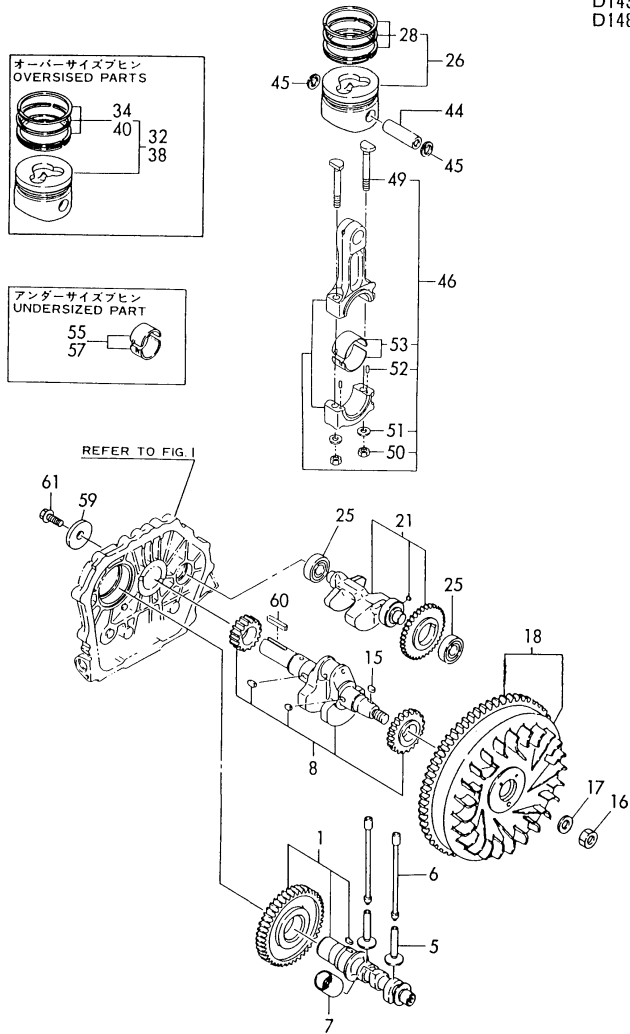


No.	Lev.	Parts No.	Description	Q'ty						I	R
				(A)	(B)	(C)	(D)	(E)	(F)		
1	1	114350-12011	PIPE, AIR INTAKE	1							
2	1	114350-12201	GASKET	1							
3	1	114250-12210	GASKET, AIR CLEANER	1							
4	1	714250-12560	CLEANER ASSY, AIR	1							
5	2	114250-12550	NUT, WING M6	1							
7	3	114250-12520	COVER, AIR CLEANER	1							
8	3	114250-12530	CASE ASSY, CLEANER	1							
9	3	114250-12560	WASHER, SEAL M6	1							
10	3	114250-12580	ELEMENT	1							
11	1	26106-060252	BOLT, M6X 25 PLATED	2							
12	1	26226-060142	STUD, M6X 14	1							
13	1	26366-060002	NUT, M6	3							
14	1	114250-13200	GASKET, MUFFLER	1							
15	1	114352-13620	MUFFLER	1							
16	2	114352-13631	MUFFLER	1							
17	2	114352-13721	COVER	1							
18	2	26106-060082	BOLT, M6X 8 PLATED	7							
19	1	114252-13800	EXTENSION ASSY	1							
20	1	26106-080162	BOLT, M8X 16 PLATED	1							
21	1	26366-080002	NUT, M8	2							

Fig.4. CRANKSHAFT,PISTON & CAMSHAFT

Fig.4 クランクシャフト、ピストン&カムシャフト
CRANKSHAFT, PISTON & CAMSHAFT

SPEC. CODE
D14880-14100
D14880-21100
D14881-21500
D14380-21700
D14380-22100
D14350-23100
D14870-28100



(A)=L60ADEVSA
(B)=L75ADEVSA
(C)=

(D)=
(E)=
(F)=

No.	Lev.	Parts No.	Description	Q'ty						I	R
				(A)	(B)	(C)	(D)	(E)	(F)		
1	1	714880-14580	CAMSHAFT ASSY	1							
5	1	114250-14200	TAPPET	2							
6	1	114350-14450	ROD ASSY, PUSH	2							
7	1	114250-14260	TAPPET	1							
8	1	714380-21720	CRANKSHAFT ASSY	1							
15	1	22512-040120	KEY, 4X 12	1							
16	1	103854-01221	NUT, CYLINDER HEAD	1							
17	1	114250-21550	WASHER	1							
18	1	114881-21590	FLYWHEEL ASSY	1							
20	2	114362-21600	GEAR, RING	1							
21	1	714870-28510	SHAFT ASSY, BALANCER	1							
25	1	24101-062024	BEARING, BALL 6202	2							
26	1	714380-22720	PISTON ASSY, D	1							
28	2	714350-22502	RING SET, PISTON	1							
32	1	714380-22620	PISTON ASSY, 0.25 OS	1							1
34	2	714350-22542	RING SET, 0.25 OS	1							1
38	1	714380-22580	PISTON ASSY, 0.50 OS	1							1
40	2	714350-22550	RING SET, 0.50 OS	1							1
44	1	114350-22301	PIN, PISTON D=21	1							
45	1	22252-000210	RING, 21	2							
46	1	714350-23704	ROD ASSY, CONNECTING	1							
49	3	114250-23200	BOLT, CONNECTING ROD	2							
50	3	114250-23220	NUT	2							
51	3	114250-23250	WASHER	2							
52	3	22312-030080	PIN, PARALLEL M3X 8	2							
53	2	714350-23600	BEARING, CRANK PIN	1							
55	1	714350-23610	BEARING ASSY, 0.25	1							2
57	1	714350-23620	BEARING, 0.50 US	1							2
59	1	160310-14550	WASHER	1							
60	1	22512-070360	KEY, 7X 36	1							
61	1	26106-080202	BOLT, M8X 20 PLATED	1							

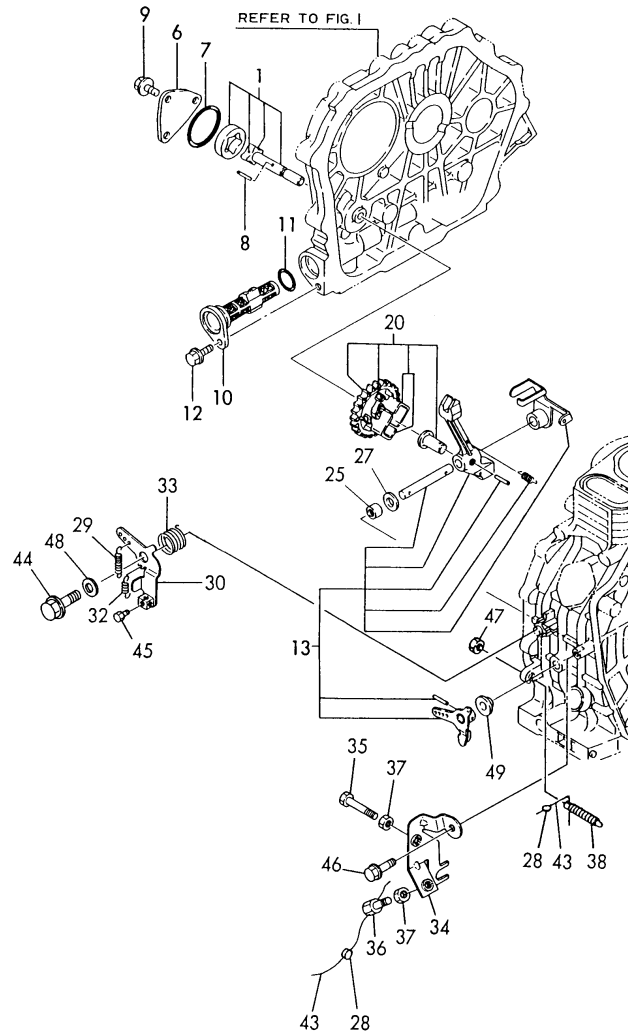
Remarks

- (1)OVERSIZED PART.
- (2)UNDERSIZED PART.

Fig.5. LUB. OIL PUMP & GOVERNOR

Fig.5 LOポンプ&ガバナ
LUB. OIL PUMP & GOVERNOR

SPEC. CODE
D14770-32100
D14250-35110
D14370-66500
D14384-61100
D14282-66110

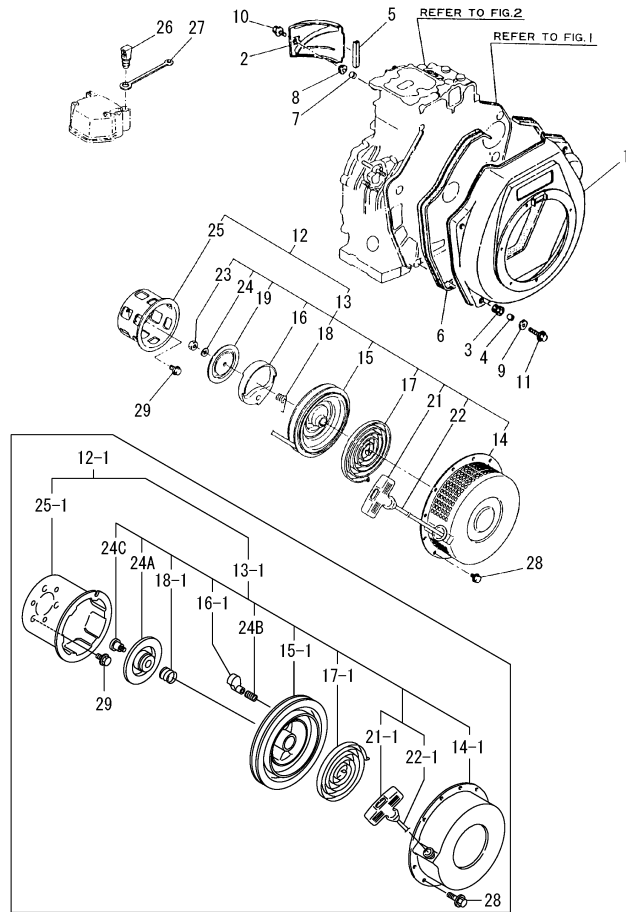


(A)=L60ADEVSA
(B)=L75ADEVSA
(C)=

(D)=
(E)=
(F)=

No.	Lev.	Parts No.	Description	Q'ty						I	R
				(A)	(B)	(C)	(D)	(E)	(F)		
1	1	114250-32010	PUMP ASSY, OIL	1							
6	1	114250-32070	COVER	1							
7	1	103338-32570	O-RING	1							
8	1	22312-030160	PIN, PARALLEL M3X16	1							
9	1	26476-060142	SCREW, TAPPING M6X14	3							
10	1	114250-35070	FILTER, OIL	1							
11	1	24341-000224	O-RING, 1AS22.4	1							
12	1	26106-060162	BOLT, M6X 16 PLATED	1							
13	1	714350-61551	LEVER ASSY, GOVERNOR	1							
20	1	714770-61700	GOVERNOR ASSY	1							
25	1	121450-61520	BEARING, NEEDLE 8	2							
27	1	22137-080000	WASHER, 8	1							
28	1	135210-61090	LEAD	2							
29	1	114870-66010	SPRING, REGULATOR	1							
30	1	114254-66050	HANDLE, REGULATOR	1							
32	1	114250-66200	SPRING, RETURN	1							
33	1	114252-66252	SPRING, RETURN	1							
34	1	114254-66100	BRACKET	1							
35	1	102100-67080	BOLT, ADJUSTING	1							
36	1	114250-66440	BOLT, ADJUSTING	1							
37	1	26757-060002	NUT, LOCK M6	2							
38	1	114354-66550	LIMITER ASSY, FUEL	1							
43	1	22451-060000	WIRE, 0.6	2							
44	1	26106-060202	BOLT, M6X 20 PLATED	1							
45	1	26117-040088	BOLT M 4X 8 PLATED	1							
46	1	26476-060142	SCREW, TAPPING M6X14	1							
47	1	26696-100002	NUT, LOCK M10	1							
48	1	160120-76940	WASHER	1							
49	1	114250-61900	BUSH	1							

Fig.6. COOLING & STARTING DEVICE



(A)=L60ADEVSA
(B)=L75ADEVSA
(C)=

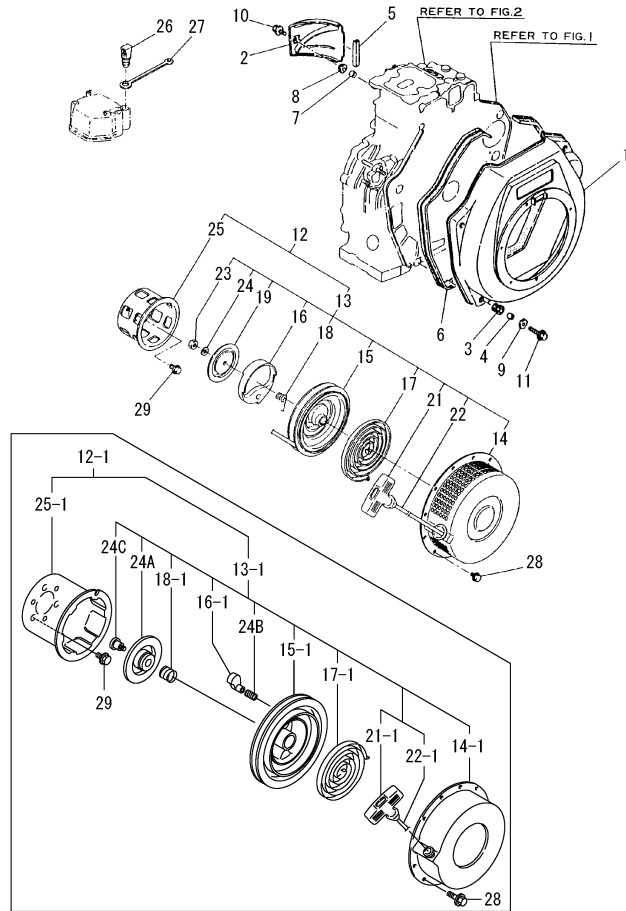
(D)=
(E)=
(F)=

No.	Lev.	Parts No.	Description	Q'ty						I	R
				(A)	(B)	(C)	(D)	(E)	(F)		
1	1	114360-45101	CASE, COOLING FAN	1							
2	1	114870-45200	COVER	1							
3	1	114250-45300	ABSORBER	5							
4	1	114250-45310	COLLAR	5							
5	1	114350-45320	RUBBER, SEAL	1							
6	1	114250-45330	SEAL, FAN CASE L=875	1							
7	1	114350-45340	COLLAR	1							
8	1	183720-55210	GROMMET	1							
9	1	160120-76940	WASHER	5							
10	1	26476-060202	SCREW, TAPPING M6X20	1							
11	1	26476-060252	SCREW, TAPPING M6X25	5							
12	1	114880-76050	STARTER ASSY, RECOIL	1							
12-1	1	114880-76051	STARTER ASSY, RECOIL	1							R 1
		(A=EZZZZZ)									
13	2	114880-76250	STARTER ASSY, RECOIL	1							
13-1	2	114880-76251	STARTER ASSY, RECOIL	1							S
		(A=EZZZZZ)									
14-1	3	114880-76511	CASE, STARTER	1							S
		(A=EZZZZZ)									
15	3	160810-76520	REEL	1							
15-1	3	114880-76520	REEL	1							S
		(A=EZZZZZ)									
16	3	160840-76530	RATCHET	1							
16-1	3	114870-76530	RATCHET	2							S
		(A=EZZZZZ)									
17	3	160810-76540	SPRING, SPIRAL	1							
17-1	3	114870-76540	SPRING, SPIRAL	1							S
		(A=EZZZZZ)									
18	3	160840-76560	SPRING, FRICTION	1							
18-1	3	114870-76560	SPRING, FRICTION	1							S
		(A=EZZZZZ)									
19	3	160810-76580	PLATE, FRICTION	1							Z
		(A=EZZZZZ)									
21	4	160810-76620	KNOB, STARTER	1							
21-1	4	114870-76620	KNOB, STARTER	1							S
		(A=EZZZZZ)									
22	4	160810-76630	ROPE, STARTER	1							
22-1	4	114870-76630	ROPE, STARTER	1							S
		(A=EZZZZZ)									
23	3	181130-76680	NUT	1							Z
		(A=EZZZZZ)									
24	3	181130-76700	WASHER	1							Z
		(A=EZZZZZ)									
24A	3	114880-76550	GUIDE, RATCHET	1							W
		(A=EZZZZZ)									
24B	3	114870-76570	SPRING, RETURN	2							W
		(A=EZZZZZ)									
24C	3	114870-76580	SCREW	1							W
		(A=EZZZZZ)									
25	2	114350-76590	PULLEY, STARTER	1							
25-1	2	114350-76591	PULLEY, STARTER	1							S

Remarks

(1) Interchangeable by simultaneous replacement with Ref.15-1 and Ref.25-1.

Fig.6. COOLING & STARTING DEVICE



(A)=L60ADEVSA
(B)=L75ADEVSA
(C)=

(D)=
(E)=
(F)=

No.	Lev.	Parts No.	Description	Q'ty						I	R
				(A)	(B)	(C)	(D)	(E)	(F)		
(A=EZZZZZ)											
26	1	114250-76600	PLUNGER	1							
27	1	114250-76610	HOLDER, PLUNGER	1							
28	1	26106-060082	BOLT, M6X 8 PLATED	4							
29	1	26106-060122	BOLT, M6X 12 PLATED	3							

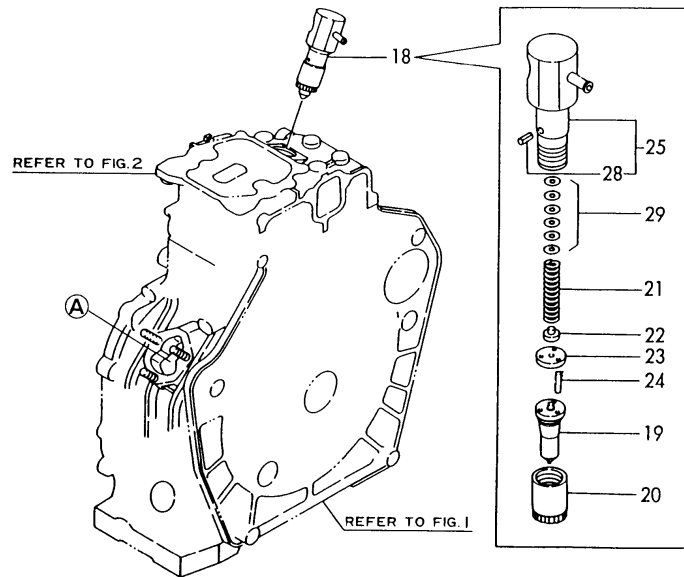
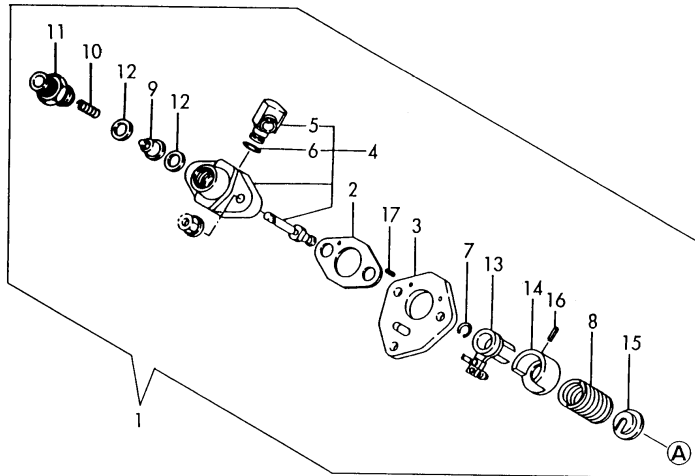
Remarks

(1) Interchangeable by simultaneous replacement with Ref.15-1 and Ref.25-1.

Fig.7. FUEL INJECTION PUMP

Fig.7 FOファンシャポンプ
FUEL INJECTION PUMP

SPEC. CODE
D14350-51200
D14650-53100



(A)=L60ADEVSA
(B)=L75ADEVSA
(C)=

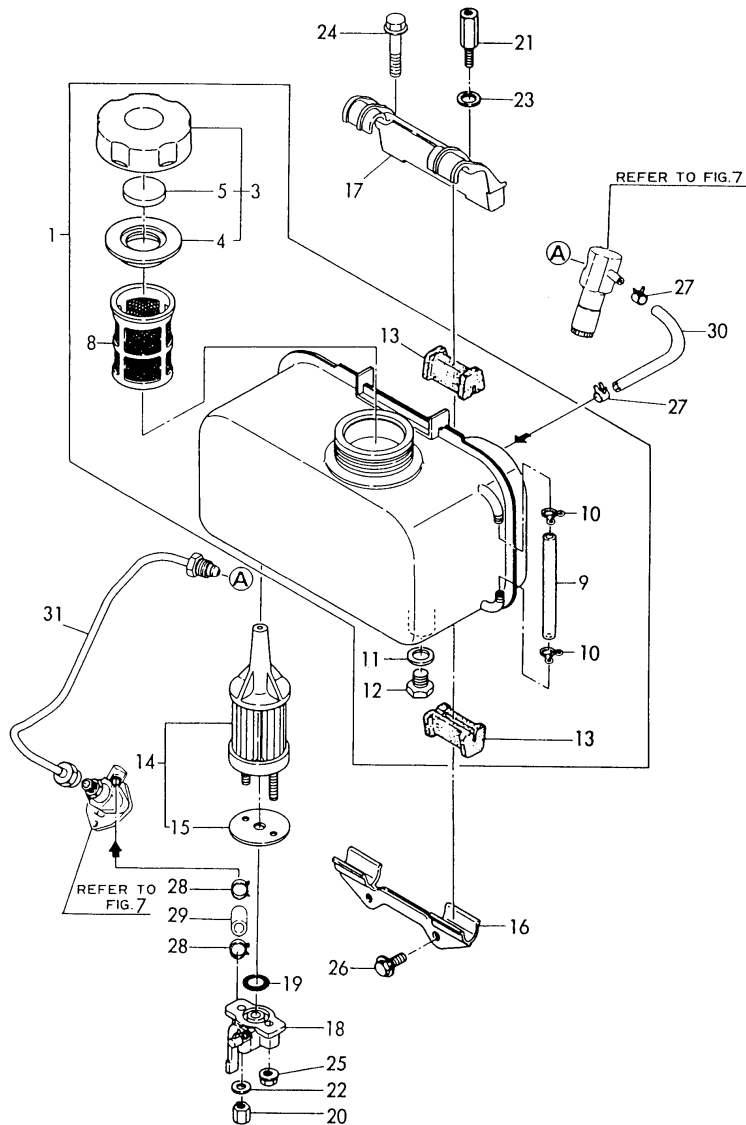
(D)=
(E)=
(F)=

No.	Lev.	Parts No.	Description	Q'ty						I	R
				(A)	(B)	(C)	(D)	(E)	(F)		
1	1	714350-51710	PUMP ASSY, INJECTION	1							
2	2	105546-51020	GASKET	1							
3	2	114250-51080	PLATE	1							
4	2	114350-51200	BODY ASSY, PUMP	1							
5	3	114250-51180	JOINT, PIPE	1							
6	3	114250-51190	O-RING, S27	1							
7	2	114250-51150	RING, SNAP	1							
8	2	114250-51160	SPRING, PLUNGER	1							
9	2	114250-51300	VALVE ASSY, DELIVERY	1							
10	2	105546-51330	SPRING, DELIVERY	1							
11	2	114250-51340	HOLDER, DELIVERY	1							
12	2	124550-51350	GASKET, DELIVERY	2							
13	2	114250-51600	LEVER ASSY, CONTROL	1							
14	2	114250-51640	SEAT, SPRING A	1							
15	2	114250-51650	SEAT, SPRING B	1							
16	2	22351-020006	PIN, SPRING 2.0X 6	2							
17	2	22351-030008	PIN, SPRING 3.0X 8	1							
18	1	714870-53100	VALVE ASSY, INJECTION	1							
19	2	114870-53000	VALVE ASSY, INJECTION	1							
20	2	114250-53080	NUT, NOZZLE D16.95	1							
21	2	114250-53120	SPRING, NOZZLE	1							
22	2	114250-53130	SEAT, SPRING	1							
23	2	114250-53140	PLATE	1							
24	2	114250-53210	PIN	2							
25	2	114250-53300	HOLDER ASSY, NOZZLE	1							
28	3	114250-53331	PIN	1							
29	2	114250-53400	SHIM SET	1							

Fig.8. FUEL TANK & FUEL PIPE

Fig. 8 FOタンク&FOパイプ
FUEL TANK & FUEL LINE

SPEC. CODE
D14350-55100
D14350-59100



(A)=L60ADEVSA
(B)=L75ADEVSA
(C)=

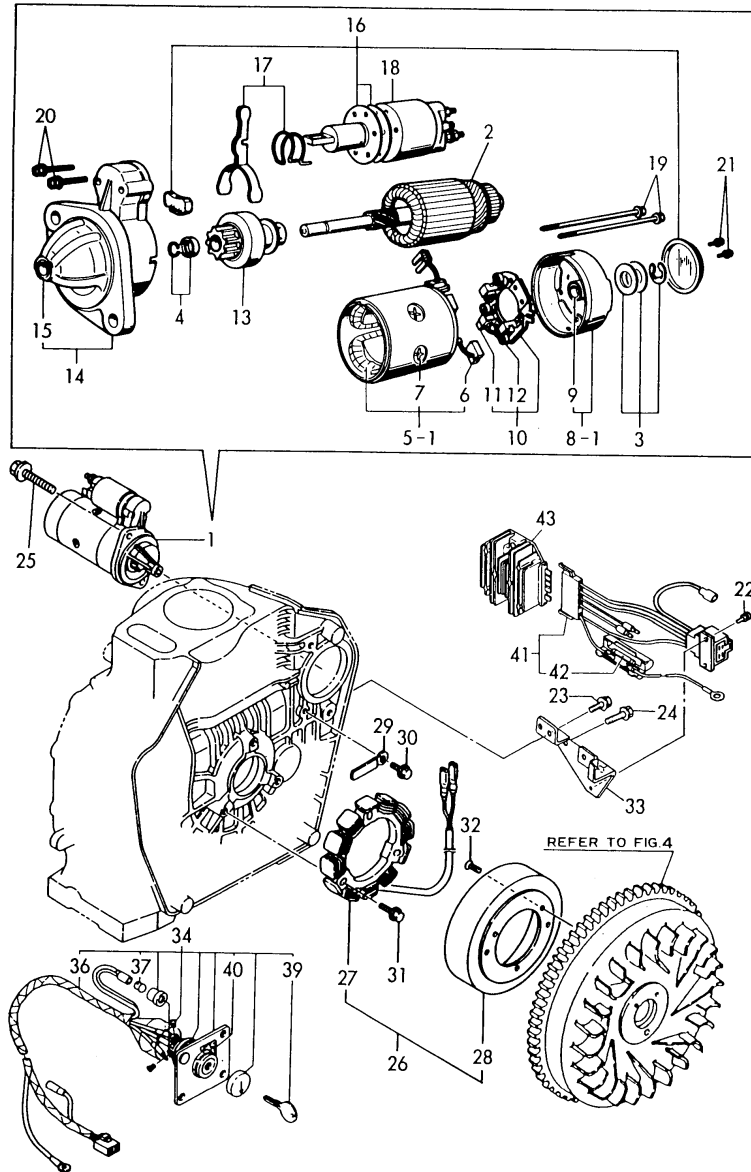
(D)=
(E)=
(F)=

No.	Lev.	Parts No.	Description	Qty						I	R
				(A)	(B)	(C)	(D)	(E)	(F)		
1	1	714350-55701	TANK ASSY, FUEL	1							
3	2	114250-55041	CAP ASSY	1							
4	3	114250-55050	GASKET	1							
5	3	114250-55060	SEAL	1							
8	2	114250-55100	FILTER, FUEL	1							
9	2	114350-55150	GAUGE, LEVEL	1							
10	2	124722-59050	CLIP, HOSE 9	2							
11	2	23414-120000	GASKET, 12X1.0	1							
12	2	23887-120002	PLUG, 12	1							
13	2	114250-55201	DAMPER, FUEL TANK	4							
14	1	114350-55120	FILTER ASSY, FUEL	1							
15	2	114250-55130	GASKET	1							
16	1	114250-55211	STAY, FUEL TANK	1							
17	1	114350-55231	STAY, FUEL TANK	1							
18	1	114250-55300	COCK ASSY, FUEL	1							
19	1	24341-000150	O-RING, 1AS15.0	1							
20	1	114252-55800	NUT	1							
21	1	114650-55810	BOLT	1							
22	1	22117-060000	WASHER, 6	1							
23	1	22117-080000	WASHER, 8	1							
24	1	26106-080452	BOLT, M8X 45 PLATED	1							
25	1	26366-060002	NUT, M6	1							
26	1	26476-060142	SCREW, TAPPING M6X14	2							
27	1	106990-44660	CLIP, HOSE 12.5	2							
28	1	124722-59050	CLIP, HOSE 9	2							
29	1	114360-59060	PIPE, FUEL L=55	1							
30	1	114250-59060	PIPE, FUEL RETURN	1							
31	1	114350-59800	PIPE ASSY, INJECTION	1							

Fig.9. STARTING MOTOR & DYNAMO

発行No. 000Y00D3670-1
 更新年月: 2005.05
 REVISED: May, 2005

Fig. 9 スタートイングモータ&ダイナモ SPEC. CODE
 STARTING MOTOR & DYNAMO D14361-77110
 D14353-78310



(A)=L60ADEVSA
 (B)=L75ADEVSA
 (C)=

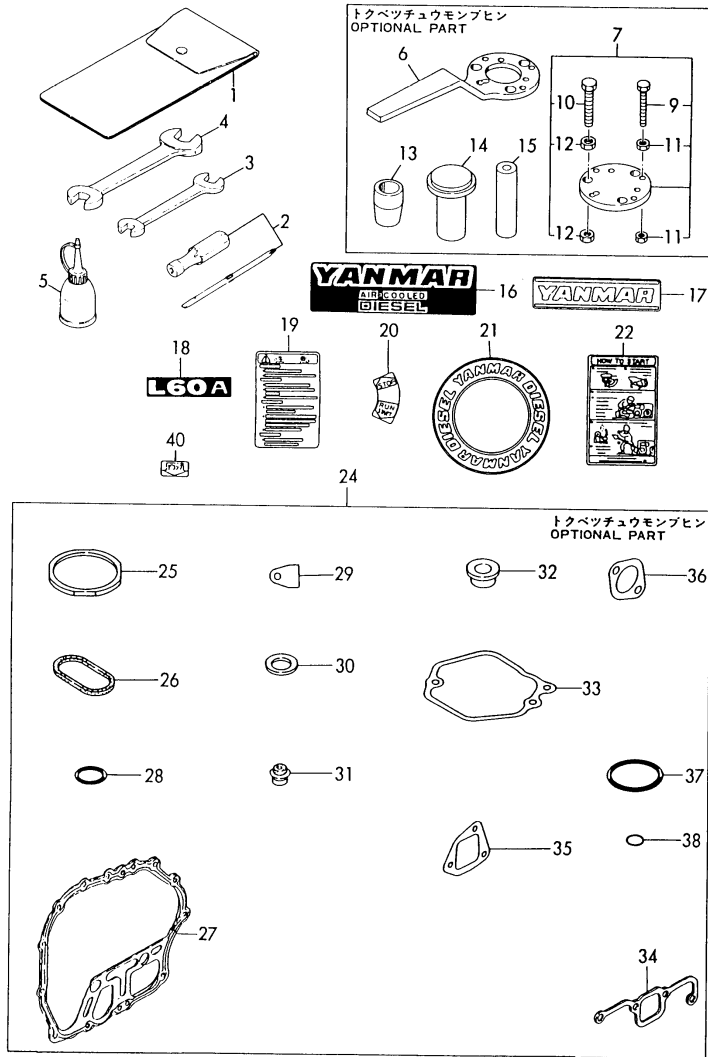
(D)=
 (E)=
 (F)=

No.	Lev.	Parts No.	Description	Qty						I	R
				(A)	(B)	(C)	(D)	(E)	(F)		
1	1	114362-77010	STARTER, S114-414A	1							
2	2	X211461104	ARMATURE	1							
3	2	X21148110	WASHER SET, THRUST	1							
4	2	X21147155	STOPPER SET, PINION	1							
5-1	2	X211492108	COIL ASSY, FIELD	1							
6	3	X21145312	BRUSH, +	2							
7	3	X21143215	SCREW, CORE	4							
8-1	2	X211473008	COVER, REAR	1							
9	3	X21145352	METAL	1							
10	2	X211489001	HOLDER ASSY, BRUSH	1							
11	3	X21148313	BRUSH (-)	1							
12	3	X21149314	SPRING, BRUSH	3							
13	2	X211445508	PINION ASSY	1							
14	2	X211416603	HOUSING ASSY, GEAR	1							
15	3	X21145352	METAL	1							
16	2	X211478006	COVER KIT	1							
17	2	X211456013	LEVER KIT SHIFT	1							
18	2	X211427501	SWITCH, MAGNETIC	1							
19	2	X211468005	BOLT, THROUGH	2							
20	2	X21145867	BOLT, M6	2							
21	2	X21142835	SCREW SET	1							
22	1	26023-040102	SCREW, M4X10	2							
23	1	26106-060202	BOLT, M6X 20 PLATED	2							
24	1	26106-060122	BOLT, M6X 12 PLATED	2							
25	1	26106-100302	BOLT, M10X 30 PLATED	2							
26	1	114351-78260	DYNAMO ASSY	1							
27	2	114351-78770	STATOR ASSY, 132.1MM	1							
28	2	114351-78780	WHEEL, DYNAMO	1							
29	1	160710-78710	CLAMP, CORD	1							
30	1	26476-060142	SCREW, TAPPING M6X14	1							
31	1	26476-060202	SCREW, TAPPING M6X20	3							
32	1	26577-060142	SCREW M 6X 14	3							
33	1	114385-77400	BRACKET	1							
34	1	114351-77500	PANEL ASSY	1							
36	2	114351-77700	HARNESS, WIRE	1							
37	2	29220-083200	BULB (12V/3.4W)	1							
39	2	106100-77630	KEY, SWITCH	1							
40	2	105198-07120	LABEL, STARTER	1							
41	1	114351-77540	HARNESS, WIRE	1							
42	2	29411-150000	FUSE, CARTRIDGE 15A	2							
43	1	119660-77710	LIMITER, CURRENT 15A	1							

Fig.10. TOOL,LABEL & GASKET SET

Fig. 10 コウグ, ラベル&パッキンセット
 TOOL, LABEL & GASKET SET

SPEC. CODE
 D14380-07110
 D14250-92100
 D14350-92150



(A)=L60ADEVSA
 (B)=L75ADEVSA
 (C)=

(D)=
 (E)=
 (F)=

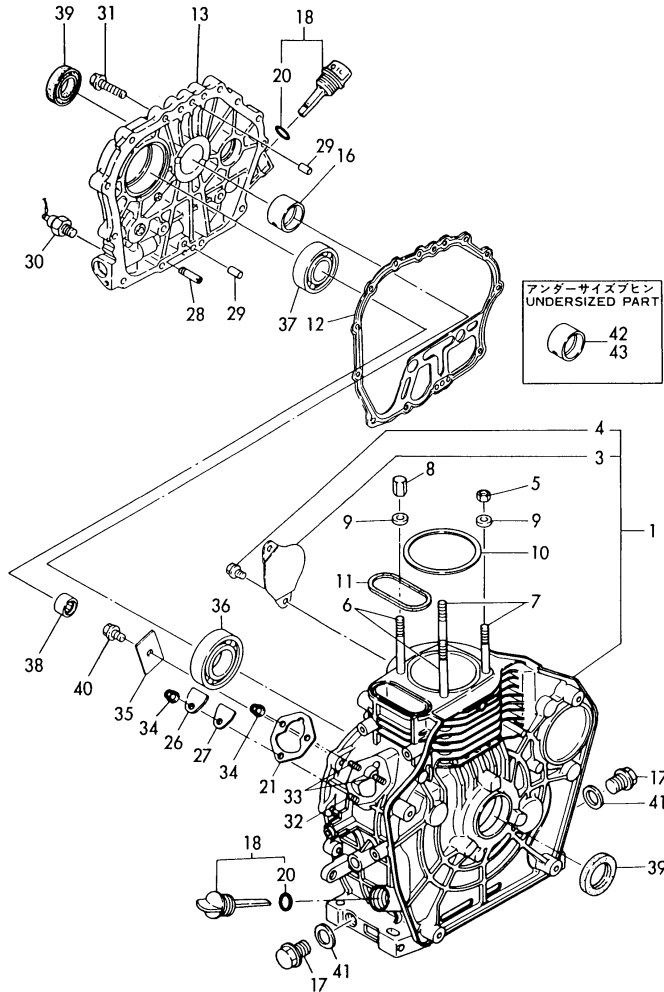
No.	Lev.	Parts No.	Description	Q'ty						I	R
				(A)	(B)	(C)	(D)	(E)	(F)		
1	1	114250-92600	BAG, TOOL	1							
2	1	160330-92730	DRIVE, SCREW	1							
3	1	28110-100120	SPANNER, 10X12	1							
4	1	28110-140170	SPANNER, 14X17	1							
5	1	28210-000150	OILER	1							
6	1	114250-92101	F.W. LOCKING HANDLE	1							1
7	1	114250-92130	REMOVER, FLYWHEEL	1							1
9	2	26116-060454	BOLT M 6X 45 PLATED	4							1
10	2	26116-080454	BOLT, M8X 45 PLATED	3							1
11	2	26716-060002	NUT, M6	8							1
12	2	26716-080002	NUT, M8	6							1
13	1	114350-92301	GUIDE, OIL SEAL	1							1
14	1	114350-92311	INSTALLING TOOL	1							1
15	1	114350-92350	INSTALLING TOOL	1							1
16	1	114250-07090	LABEL, AIR COOLED	1							
17	1	114250-07110	LABEL, YANMAR	1							
18	1	114370-07050	LABEL(L60A)	1							
19	1	114250-07240	LABEL, CAUTION	1							
20	1	114250-07260	LABEL, OPERATION	1							
21	1	114250-07350	LABEL, YANMAR DIESEL	1							
22	1	114250-07250	LABEL, HOW TO START	1							
24	1	714350-92602	GASKET SET	1							1
25	2	114350-01340	GASKET, HEAD	1							
26	2	114350-01380	O-RING	1							
27	2	114350-01412	GASKET, CRANK CASE	1							
28	2	24311-000180	O-RING, 1AP18.0	2							
29	2	114250-01840	GASKET	1							
30	2	43400-500490	SEAL WASHER 16	2							
31	2	114350-11340	SEAL, VALVE STEM	2							
32	2	114250-11460	GASKET, NOZZLE	1							
33	2	114250-11310	GASKET, BONNET	1							
34	2	114350-12201	GASKET	1							
35	2	114250-12210	GASKET, AIR CLEANER	1							
36	2	114250-13200	GASKET, MUFFLER	1							
37	2	103338-32570	O-RING	1							
38	2	24341-000224	O-RING, 1AS22.4	1							
40	1	114250-07270	LABEL, DECOMP.	1							

Remarks
 (1)OPTIONAL PARTS

Fig.11. CYLINDER BLOCK

Fig. 11 シリンダブロック
CYLINDER BLOCK

SPEC. CODE
D14571-01100
D14680-01500
D14370-01710
D14350-02100
D14389-39100



(A)=L60ADEVSA
(B)=L75ADEVSA
(C)=

(D)=
(E)=
(F)=

No.	Lev.	Parts No.	Description	Q'ty						I	R
				(A)	(B)	(C)	(D)	(E)	(F)		
1	1	714571-01560	BLOCK ASSY, CYLINDER		1						
3	2	114350-01700	COVER		1						
4	2	26106-100122	BOLT, M10X 12 PLATED		2						
5	1	105025-01220	NUT, CYLINDER HEAD		2						
6	1	114650-01230	BOLT, HEAD		2						
7	1	114650-01240	BOLT, HEAD		2						
8	1	114650-01250	NUT, CYLINDER HEAD		2						
9	1	114650-01260	WASHER		4						
10	1	114550-01340	GASKET, HEAD		1						
11	1	114650-01380	O-RING		1						
12	1	114650-01412	GASKET, CRANK CASE		1						
13	1	114660-01470	COVER, CRANK CASE		1						
16	2	114650-02100	BEARING, MAIN		1						2
17	1	105425-01690	PLUG, 16		2						
18	1	160910-01740	CAP ASSY		2						
20	2	24311-000180	O-RING, 1AP18.0		2						
21	1	114250-01800	SHIM SET		1						
26	1	114250-01830	COVER		1						
27	1	114250-01840	GASKET		1						
28	1	114250-35150	PIPE, OIL INLET		1						
29	1	22312-080120	PIN, PARALLEL M8X12		2						
30	1	114250-39450	SWITCH, 0.5KG		1						
31	1	26106-080352	BOLT, M8X 35 PLATED		16						
32	1	26226-060182	STUD, M6X 18		1						
33	1	26226-060222	STUD, M6X 22		2						
34	1	26366-060002	NUT, M6		3						
35	1	114250-02030	RETAINER, BEARING		1						
36	1	114650-02150	BEARING, HR6308G3C3		1						
37	1	24101-062070	BEARING, BALL 6207C3		1						
38	1	24162-152112	BEARING, 152112		1						
39	1	24423-355008	SEAL, OIL TC355008		2						
40	1	26106-080122	BOLT, M8X 12 PLATED		1						
41	1	43400-500490	SEAL WASHER 16		2						
42	1	114650-02200	BEARING, 0.25 US		1						1
43	1	114650-02210	BEARING, 0.50 US		1						1

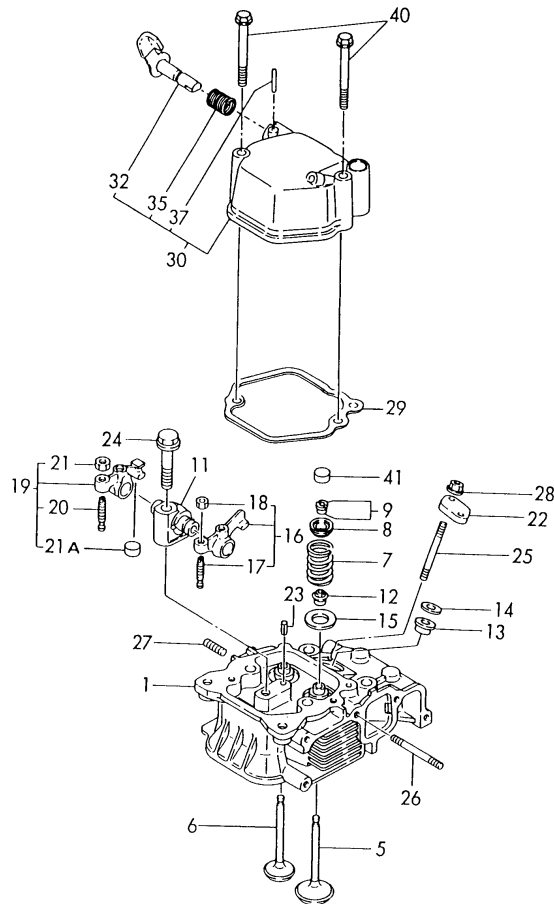
Remarks

- (1)UNDERSIZED PART.
- (2)ONLY FOR REPAIR.

Fig.12. CYLINDER HEAD & BONNET

Fig. 12 シリンダヘッド & ボンネット
CYLINDER HEAD & BONNET

SPEC. CODE
D14550-11100
D14650-11200



(A)=L60ADEVSA
(B)=L75ADEVSA
(C)=

(D)=
(E)=
(F)=

No.	Lev.	Parts No.	Description	Q'ty						I	R
				(A)	(B)	(C)	(D)	(E)	(F)		
1	1	114550-11010	HEAD ASSY, CYLINDER		1						
5	1	114650-11100	VALVE, INTAKE		1						
6	1	114654-11110	VALVE, EXHAUST		1						
7	1	114650-11121	SPRING, VALVE		2						
8	1	119620-11180	RETAINER, SPRING		2						
9	1	27310-070001	COTTER, 7		2						
11	1	114650-11261	SUPPORT, ROCKER ARM		1						
12	1	114650-11340	SEAL, VALVE STEM		2						
13	1	114250-11460	GASKET, NOZZLE		1						
14	1	114350-11470	SPACER, NOZZLE		1						
15	1	114650-11600	WASHER		2						
16	1	114650-11652	ARM, ROCKER		1						
17	2	114250-11240	SCREW, VALVE ADJUST		1						
18	2	26756-060002	NUT, LOCK M6		1						
19	1	714670-11660	ARM ASSY, ROCKER		1						
20	3	114250-11240	SCREW, VALVE ADJUST		1						
21	3	26756-060002	NUT, LOCK M6		1						
21A	2	104211-11370	CAP, VALVE		1						
22	1	114250-11900	RETAINER, NOZZLE		1						
23	1	22351-040008	PIN, SPRING 4.0X 8		1						
24	1	26106-100552	BOLT, M10X 55 PLATED		1						
25	1	26226-060502	STUD, M6X 50		2						
26	1	26226-060752	STUD, M6X 75		2						
27	1	26226-080202	STUD, M8X 20		2						
28	1	26366-060002	NUT, M6		2						
29	1	114650-11310	GASKET, BONNET		1						
30	1	114650-11951	BONNET ASSY, HEAD		1						
32	2	114250-03591	LEVER ASSY		1						
35	2	114250-03640	SPRING, DECOMPRESSION		1						
37	2	22312-030160	PIN, PARALLEL M3X16		1						
40	1	26106-060702	BOLT, M6X 70 PLATED		2						
41	1	104211-11370	CAP, VALVE		1						

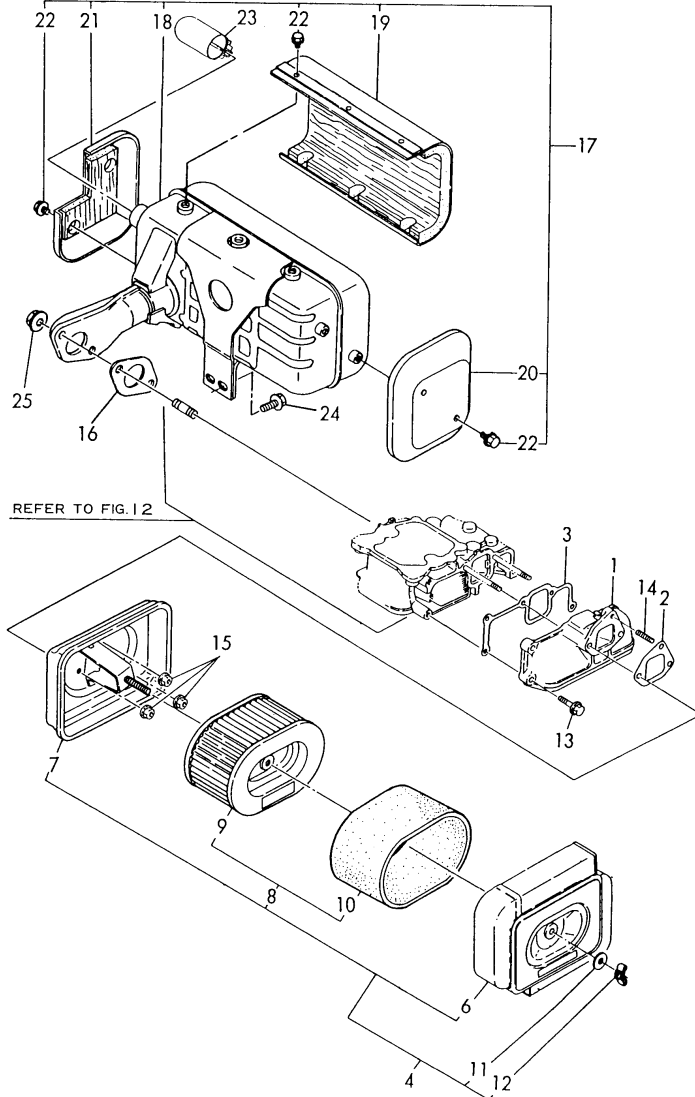
Fig.13. AIR CLEANER & MUFFLER

(A)=L60ADEVSA
(B)=L75ADEVSA
(C)=

(D)=
(E)=
(F)=

Fig. **13** エアクリーナ&マフラ
AIR CLEANER & MUFFLER

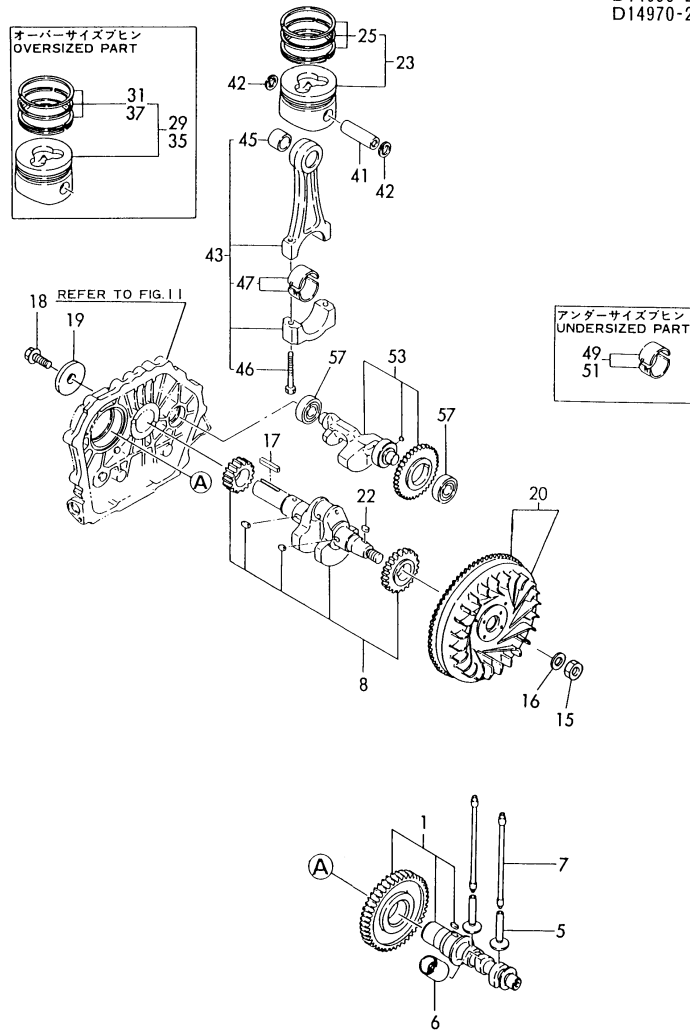
SPEC. CODE
D14650-12100



No.	Lev.	Parts No.	Description	Q'ty						I	R
				(A)	(B)	(C)	(D)	(E)	(F)		
1	1	114650-12020	PIPE, AIR INTAKE		1						
2	1	114650-12210	GASKET, AIR CLEANER		1						
3	1	114650-12300	GASKET		1						
4	1	714650-12560	CLEANER ASSY, AIR		1						
6	3	114650-12520	COVER, AIR CLEANER		1						
7	3	114650-12530	CASE ASSY, CLEANER		1						
8	3	114650-12590	ELEMENT ASSY		1						
9	4	114650-12540	ELEMENT		1						
10	4	114650-12550	FILTER, PRE		1						
11	3	114252-12560	WASHER, SEAL M8		1						
12	2	114252-12550	NUT, WING M8		1						
13	1	26106-060252	BOLT, M6X 25 PLATED		3						
14	1	26226-060142	STUD, M6X 14		1						
15	1	26366-060002	NUT, M6		3						
16	1	114650-13200	GASKET, MUFFLER		1						
17	1	114674-13550	MUFFLER ASSY		1						
18	2	114674-13510	MUFFLER		1						
19	2	183382-13700	COVER		1						
20	2	114970-13710	COVER		1						
21	2	114973-13710	COVER		1						
22	2	160260-01580	BOLT, FLANGE M6X6		10						
23	1	114650-13800	EXTENSION ASSY		1						
24	1	26106-080162	BOLT, M8X 16 PLATED		2						
25	1	26366-080002	NUT, M8		2						

Fig.14. CRANKSHAFT,PISTON & CAMSHAFT

Fig. 14 クランクシャフト、ピストン&カムシャフト
CRANKSHAFT, PISTON & CAMSHAFT



SPEC. CODE
 D14980-14100
 D14981-21100
 D14981-21500
 D14380-21700
 D14560-22100
 D14650-23100
 D14970-28100

(A)=L60ADEVSA
 (B)=L75ADEVSA
 (C)=

(D)=
 (E)=
 (F)=

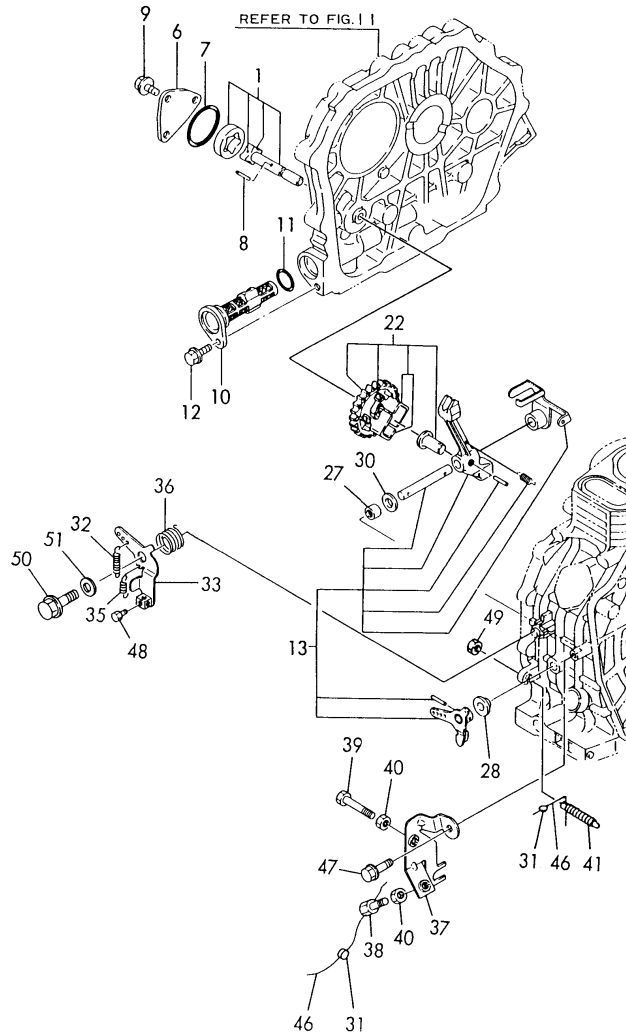
No.	Lev.	Parts No.	Description	Q'ty						I	R
				(A)	(B)	(C)	(D)	(E)	(F)		
1	1	714689-14580	CAMSHAFT ASSY		1						
5	1	114650-14200	TAPPET		2						
6	1	114250-14260	TAPPET		1						
7	1	114650-14401	ROD ASSY, PUSH		2						
8	1	714685-21710	CRANKSHAFT ASSY		1						
15	1	122710-01220	NUT, CYLINDER HEAD		1						
16	1	114650-21551	WASHER		1						
17	1	22512-070360	KEY, 7X 36		1						
18	1	26106-080202	BOLT, M8X 20 PLATED		1						
19	1	160310-14550	WASHER		1						
20	1	114662-21592	FLYWHEEL ASSY		1						
21	2	114662-21601	GEAR, RING		1						
22	1	22512-050140	KEY, 5X 14		1						
23	1	714560-22723	PISTON ASSY, D		1						
25	2	714550-22502	RING SET, PISTON		1						
29	1	714560-22623	PISTON ASSY, 0.25 OS		1						1
31	2	714550-22542	RING SET, 0.25 OS		1						1
35	1	714560-22580	PISTON ASSY, 0.50 OS		1						1
37	2	714550-22550	RING SET, 0.50 OS		1						1
41	1	114650-22300	PIN, PISTON D=23		1						
42	1	129792-22400	CIRCLIP, 23		2						
43	1	714650-23700	ROD ASSY, CONNECTING		1						
45	2	124060-23100	BEARING, PISTON PIN		1						
46	2	104200-23201	BOLT, CONNECTING ROD		2						
47	2	714650-23600	BEARING, CRANK PIN		1						
49	1	714650-23610	BEARING ASSY, 0.25		1						2
51	1	714650-23620	BEARING, 0.50 US		1						2
53	1	714970-28510	SHAFT ASSY, BALANCER		1						
57	1	24101-062034	BEARING, BALL 6203		2						

Remarks
 (1) OVERSIZED PART.
 (2) UNDERSIZED PART.

Fig.15. LUB. OIL PUMP & GOVERNOR

Fig. **15** LOポンプ & ガバナ
LUB. OIL PUMP & GOVERNOR

SPEC. CODE
D14970-32100
D14250-35110
D14384-61100
D14282-66110
D14670-66500

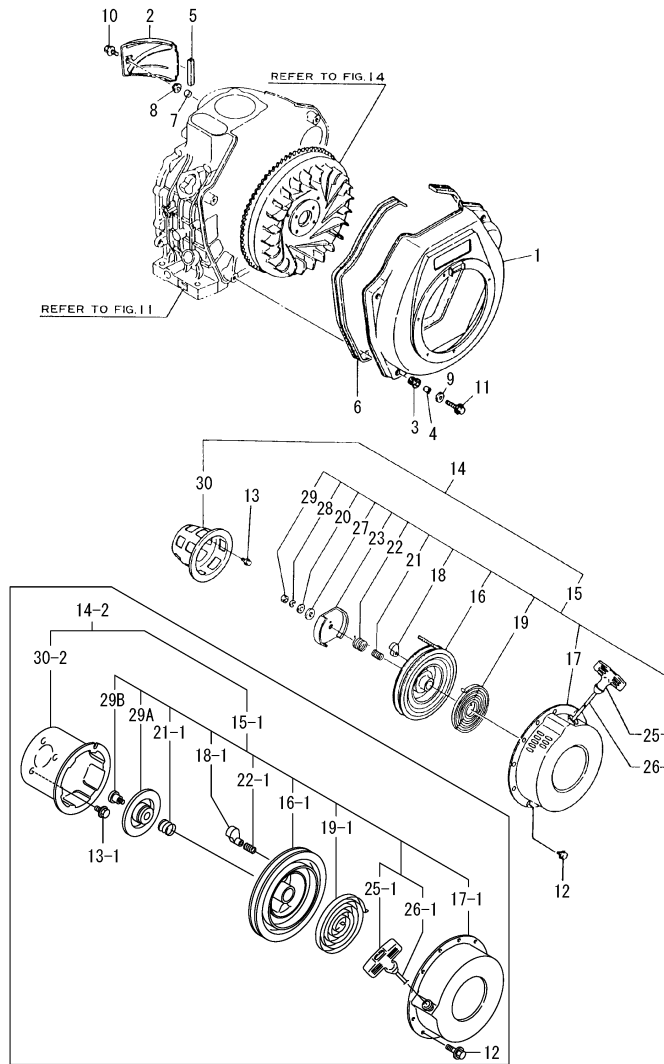


(A)=L60ADEVSA
(B)=L75ADEVSA
(C)=

(D)=
(E)=
(F)=

No.	Lev.	Parts No.	Description	Q'ty						I	R
				(A)	(B)	(C)	(D)	(E)	(F)		
1	1	114650-32010	PUMP ASSY, OIL		1						
6	1	114250-32070	COVER		1						
7	1	103338-32570	O-RING		1						
8	1	22312-030160	PIN, PARALLEL M3X16		1						
9	1	26476-060142	SCREW, TAPPING M6X14		3						
10	1	114250-35070	FILTER, OIL		1						
11	1	24341-000224	O-RING, 1AS22.4		1						
12	1	26106-060162	BOLT, M6X 16 PLATED		1						
13	1	714350-61551	LEVER ASSY, GOVERNOR		1						
22	1	714970-61700	GOVERNOR ASSY		1						
27	1	121450-61520	BEARING, NEEDLE 8		2						
28	1	114250-61900	BUSH		1						
30	1	22137-080000	WASHER, 8		1						
31	1	135210-61090	LEAD		2						
32	1	114970-66010	SPRING, REGULATOR		1						
33	1	114254-66050	HANDLE, REGULATOR		1						
35	1	114250-66200	SPRING, RETURN		1						
36	1	114252-66252	SPRING, RETURN		1						
37	1	114254-66100	BRACKET		1						
38	1	114250-66440	BOLT, ADJUSTING		1						
39	1	102100-67080	BOLT, ADJUSTING		1						
40	1	26757-060002	NUT, LOCK M6		2						
41	1	114354-66550	LIMITER ASSY, FUEL		1						
46	1	22451-060000	WIRE, 0.6		2						
47	1	26106-060202	BOLT, M6X 20 PLATED		1						
48	1	26117-040088	BOLT M 4X 8 PLATED		1						
49	1	26696-100002	NUT, LOCK M10		1						
50	1	26476-060142	SCREW, TAPPING M6X14		1						
51	1	160120-76940	WASHER		1						

Fig.16. COOLING & STARTING DEVICE



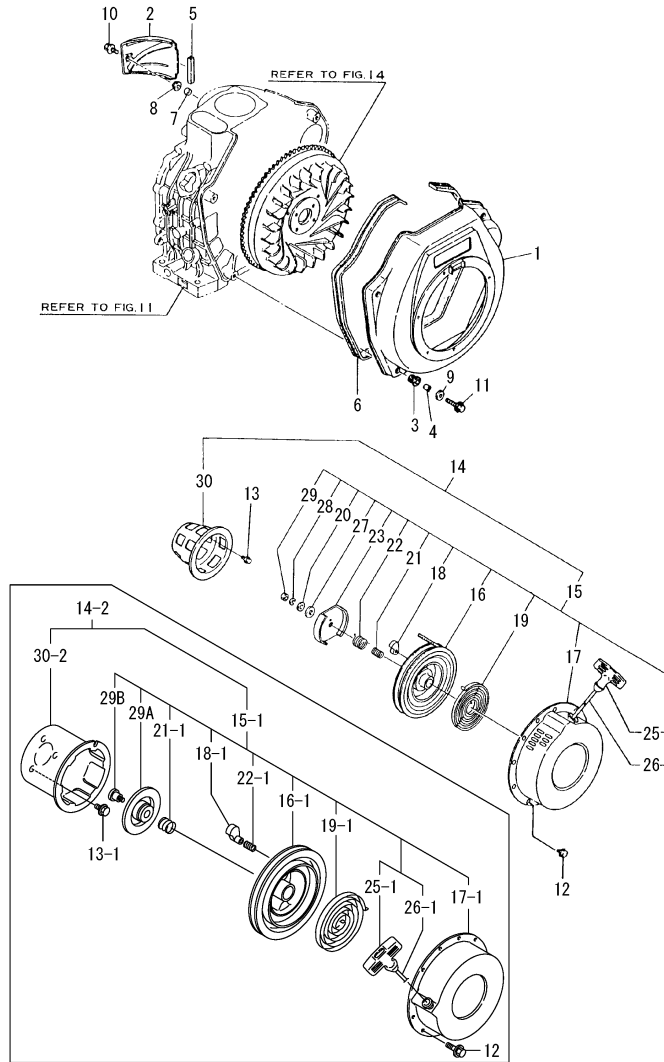
(A)=L60ADEVSA
(B)=L75ADEVSA
(C)=

(D)=
(E)=
(F)=

No.	Lev.	Parts No.	Description	Q'ty						I	R
				(A)	(B)	(C)	(D)	(E)	(F)		
1	1	114668-45102	CASE, COOLING FAN		1						
2	1	114650-45200	COVER		1						
3	1	114250-45300	ABSORBER		4						
4	1	114250-45310	COLLAR		4						
5	1	114350-45320	RUBBER, SEAL		1						
6	1	114650-45330	SEAL, FAN CASE L=950		1						
7	1	114350-45340	COLLAR		1						
8	1	183720-55210	GROMMET		1						
9	1	160120-76940	WASHER		4						
10	1	26476-060202	SCREW, TAPPING M6X20		1						
11	1	26476-060252	SCREW, TAPPING M6X25		4						
12	1	26106-060082	BOLT, M6X 8 PLATED		4						
13	1	26106-060122	BOLT, M6X 12 PLATED		4						
13-1	1	26106-060122	BOLT, M6X 12 PLATED		3						K
		(B=EZZZZZ)									
14	1	114660-76050	STARTER ASSY, RECOIL		1						S
14-1	1	114660-76051	STARTER ASSY, RECOIL		1						S
		(B=EZZZZZ)									
14-2	1	114660-76052	STARTER ASSY, RECOIL		1						R 1
		(B=EZZZZZ)									
15	2	114660-76250	STARTER ASSY, RECOIL		1						S
15-1	2	114660-76251	STARTER ASSY, RECOIL		1						S
		(B=EZZZZZ)									
16	3	114650-76520	REEL		1						S
16-1	3	114880-76520	REEL		1						S
		(B=EZZZZZ)									
17	3	114660-76530	CASE, STARTER		1						S
17-1	3	114660-76531	CASE, STARTER		1						S
		(B=EZZZZZ)									
18	3	160910-76530	RATCHET		1						S
18-1	3	114870-76530	RATCHET		2						S
		(B=EZZZZZ)									
19	3	114650-76540	SPRING, SPIRAL		1						S
19-1	3	114870-76540	SPRING, SPIRAL		1						S
		(B=EZZZZZ)									
20	3	160910-76550	WASHER, THRUST		1						Z
		(B=EZZZZZ)									
21	3	160910-76560	SPRING, FRICTION		1						S
21-1	3	114870-76560	SPRING, FRICTION		1						S
		(B=EZZZZZ)									
22	3	160910-76570	SPRING, RETURN		1						S
22-1	3	114870-76570	SPRING, RETURN		2						S
		(B=EZZZZZ)									
23	3	160910-76580	PLATE, FRICTION		1						Z
		(B=EZZZZZ)									
25	4	160910-76620	KNOB, STARTER		1						S
25-1	4	114870-76620	KNOB, STARTER		1						S
		(B=EZZZZZ)									
26	4	114650-76630	ROPE, STARTER		1						S
26-1	4	114650-76631	ROPE, STARTER		1						S
		(B=EZZZZZ)									

Remarks
(1) Interchangeable by simultaneous replacement with Ref.15-1 and Ref.30-2.

Fig.16. COOLING & STARTING DEVICE



(A)=L60ADEVSA
(B)=L75ADEVSA
(C)=

(D)=
(E)=
(F)=

No.	Lev.	Parts No.	Description	Q'ty						I	R	
				(A)	(B)	(C)	(D)	(E)	(F)			
27	3	160910-76650	WASHER, THRUST (B=EZZZZZ)		1						Z	
28	3	22217-060000	WASHER, SPRING 6 (B=EZZZZZ)		1						Z	
29	3	26717-060002	NUT, M6 (B=EZZZZZ)		1						Z	
29A	3	114880-76550	GUIDE, RATCHET (B=EZZZZZ)		1						W	
29B	3	114870-76580	SCREW (B=EZZZZZ)		1						W	
30	2	114660-76590	PULLEY, STARTER		1							S
30-1	2	114660-76591	PULLEY, STARTER (B=EZZZZZ)		1							S
30-2	2	114660-76592	PULLEY, STARTER (B=EZZZZZ)		1							S

Remarks

(1) Interchangeable by simultaneous replacement with Ref.15-1 and Ref.30-2.

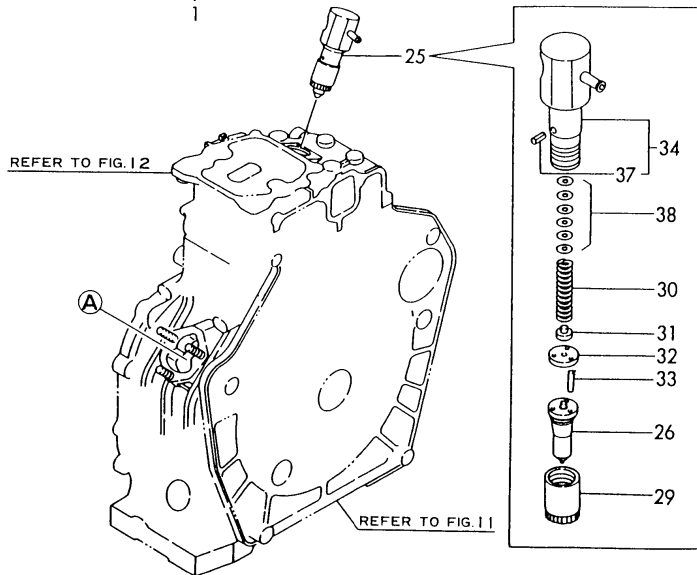
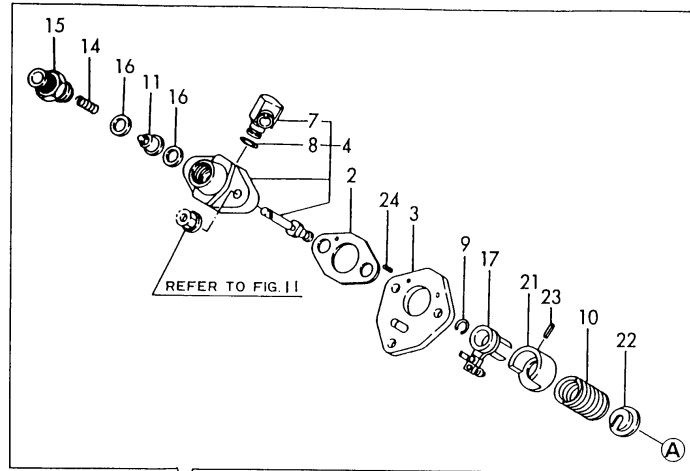
Fig.17. FUEL INJECTION PUMP

(A)=L60ADEVSA
(B)=L75ADEVSA
(C)=

(D)=
(E)=
(F)=

Fig. **17** FOファンシャポンプ
FUEL INJECTION PUMP

SPEC. CODE
D14550-51100
D14870-53100

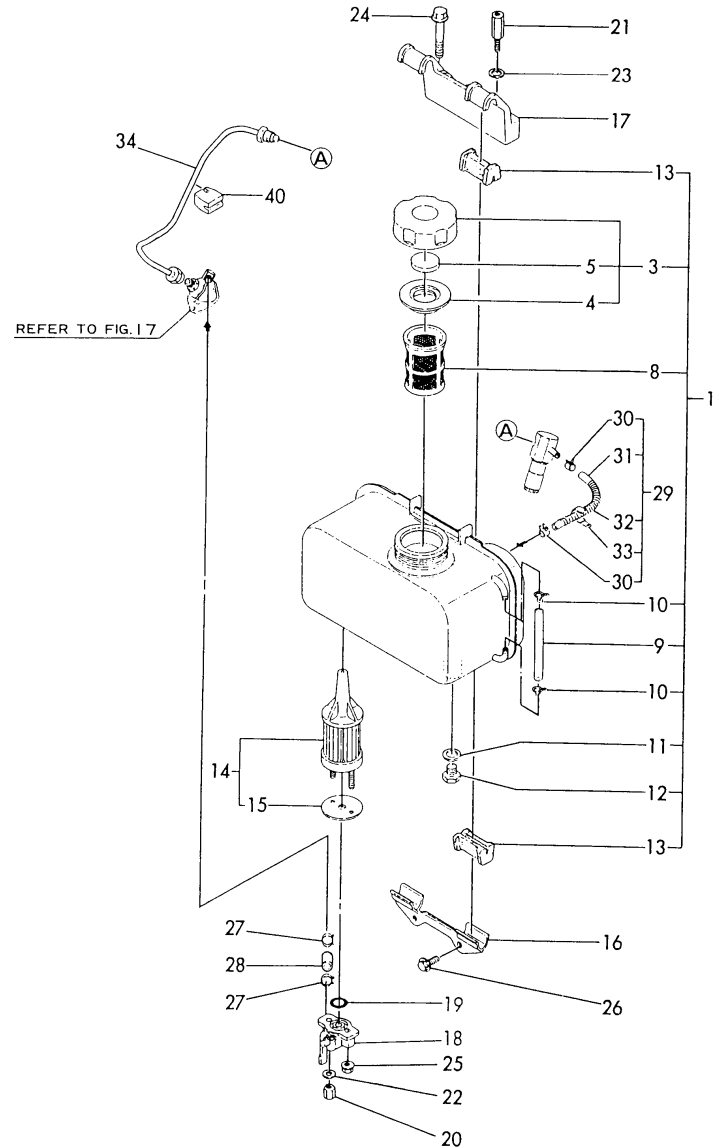


No.	Lev.	Parts No.	Description	Q'ty						I	R
				(A)	(B)	(C)	(D)	(E)	(F)		
1	1	714550-51700	PUMP ASSY, INJECTION		1						
2	2	105546-51020	GASKET		1						
3	2	114250-51080	PLATE		1						
4	2	114650-51100	BODY ASSY, PUMP		1						
7	3	114250-51180	JOINT, PIPE		1						
8	3	114250-51190	O-RING, S27		1						
9	2	114250-51150	RING, SNAP		1						
10	2	114250-51160	SPRING, PLUNGER		1						
11	2	114650-51300	VALVE ASSY, DELIVERY		1						
14	2	105546-51330	SPRING, DELIVERY		1						
15	2	114250-51340	HOLDER, DELIVERY		1						
16	2	124550-51350	GASKET, DELIVERY		2						
17	2	114250-51600	LEVER ASSY, CONTROL		1						
21	2	114250-51640	SEAT, SPRING A		1						
22	2	114250-51650	SEAT, SPRING B		1						
23	2	22351-020006	PIN, SPRING 2.0X 6		2						
24	2	22351-030008	PIN, SPRING 3.0X 8		1						
25	1	714650-53100	VALVE ASSY, INJECTION		1						
26	2	114650-53000	VALVE ASSY, INJECTION		1						
29	2	114250-53080	NUT, NOZZLE D16.95		1						
30	2	114250-53120	SPRING, NOZZLE		1						
31	2	114250-53130	SEAT, SPRING		1						
32	2	114250-53140	PLATE		1						
33	2	114250-53210	PIN		2						
34	2	114650-53300	HOLDER ASSY, NOZZLE		1						
37	3	114250-53331	PIN		1						
38	2	114250-53400	SHIM SET		1						

Fig.18. FUEL TANK & FUEL PIPE

Fig. 18 FOタンク&FOパイプ
FUEL TANK & FUEL LINE

SPEC. CODE
D14650-55100
D14650-59110



(A)=L60ADEVSA
(B)=L75ADEVSA
(C)=

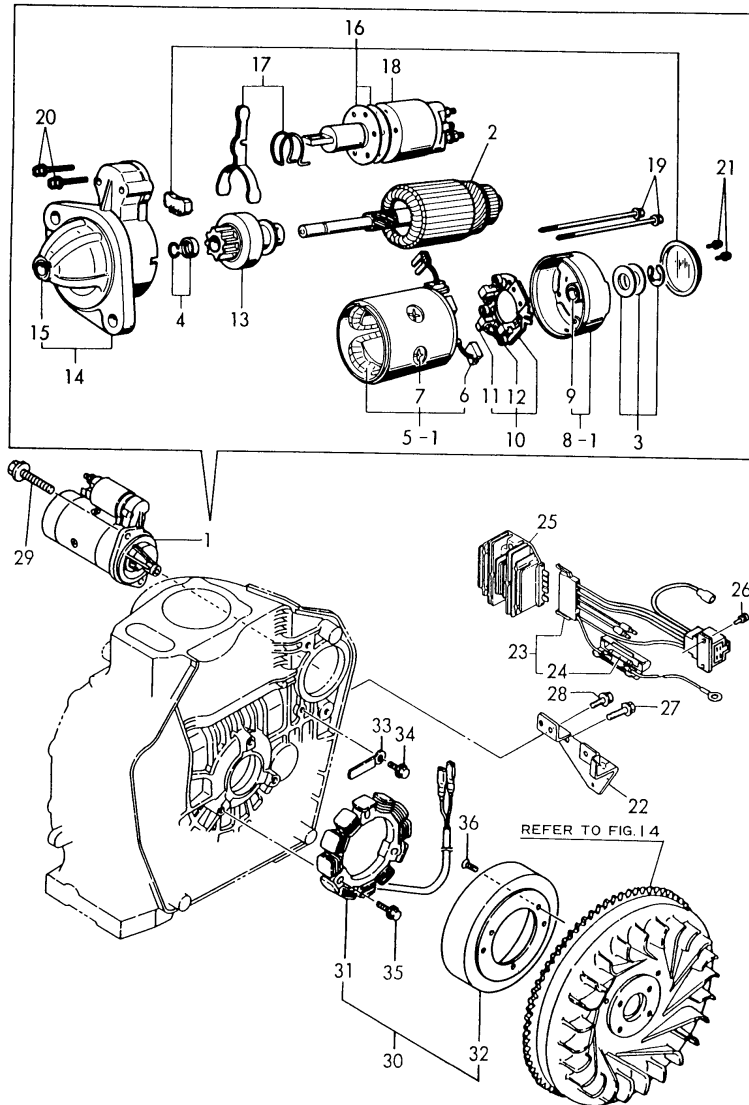
(D)=
(E)=
(F)=

No.	Lev.	Parts No.	Description	Q'ty						I	R
				(A)	(B)	(C)	(D)	(E)	(F)		
1	1	714650-55701	TANK ASSY, FUEL		1						
3	2	114250-55041	CAP ASSY		1						
4	3	114250-55050	GASKET		1						
5	3	114250-55060	SEAL		1						
8	2	114250-55100	FILTER, FUEL		1						
9	2	114650-55150	GAUGE, LEVEL		1						
10	2	124722-59050	CLIP, HOSE 9		2						
11	2	23414-120000	GASKET, 12X1.0		1						
12	2	23887-120002	PLUG, 12		1						
13	2	114250-55201	DAMPER, FUEL TANK		4						
14	1	114650-55120	FILTER ASSY, FUEL		1						
15	1	114250-55130	GASKET		1						
16	1	114250-55211	STAY, FUEL TANK		1						
17	1	114650-55230	STAY, FUEL TANK		1						
18	1	114250-55300	COCK ASSY, FUEL		1						
19	1	24341-000150	O-RING, 1AS15.0		1						
20	1	114252-55800	NUT		1						
21	1	114650-55810	BOLT		1						
22	1	22117-060000	WASHER, 6		1						
23	1	22117-080000	WASHER, 8		1						
24	1	26106-080452	BOLT, M8X 45 PLATED		1						
25	1	26366-060002	NUT, M6		1						
26	1	26476-060142	SCREW, TAPPING M6X14		2						
27	1	106990-44660	CLIP, HOSE 12.5		2						
28	1	114250-59050	PIPE, FUEL L=46		1						
29	1	114652-59300	PIPE, FUEL RETURN		1						
30	2	124722-59050	CLIP, HOSE 9		2						
31	2	114250-59060	PIPE, FUEL RETURN		1						
32	2	114652-59310	TUBE, PROTECT		1						
33	2	121750-59890	BAND, 140		1						
34	1	114650-59800	PIPE ASSY, INJECTION		1						
40	1	114650-59850	SUPPORT		1						

Fig.19. STARTING MOTOR & DYNAMO

発行No.000Y0003670-1
更新年月:2005.05
REVISED:May.2005

Fig.19 スターティングモータ & ダイナモ SPEC. CODE
STARTING MOTOR & DYNAMO D14361-77110



(A)=L60ADEVSA
(B)=L75ADEVSA
(C)=

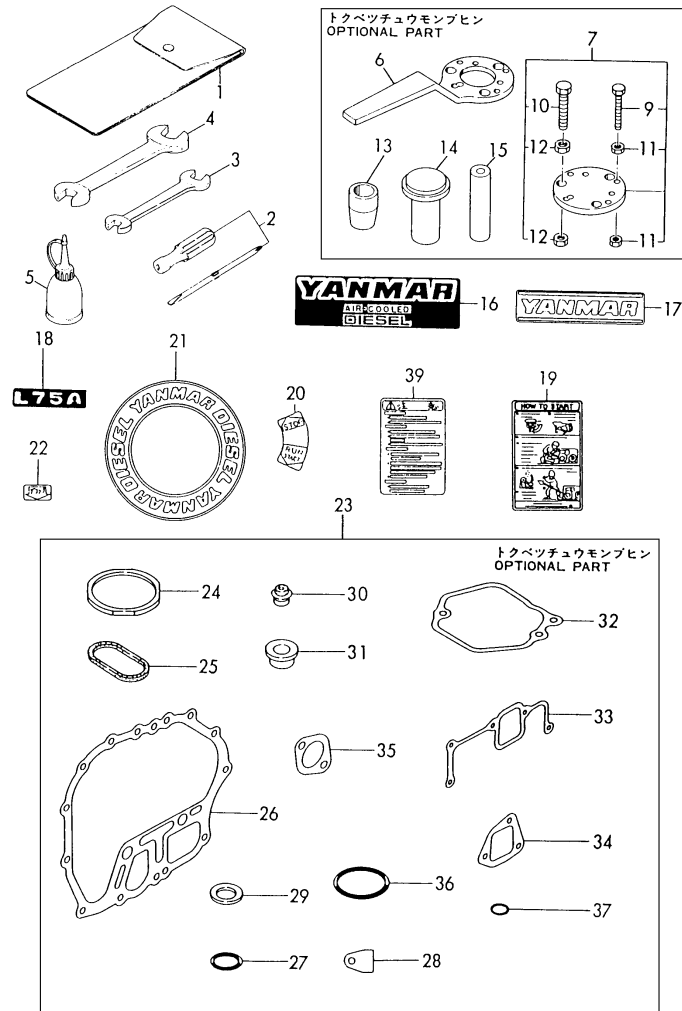
(D)=
(E)=
(F)=

No.	Lev.	Parts No.	Description	Q'ty						I	R
				(A)	(B)	(C)	(D)	(E)	(F)		
1	1	114362-77010	STARTER, S114-414A		1						
2	2	X211461104	ARMATURE		1						
3	2	X21148110	WASHER SET, THRUST		1						
4	2	X21147155	STOPPER SET, PINION		1						
5-1	2	X211492108	COIL ASSY, FIELD		1						
6	3	X21145312	BRUSH, +		2						
7	3	X21143215	SCREW, CORE		4						
8-1	2	X211473008	COVER, REAR		1						
9	3	X21145352	METAL		1						
10	2	X211489001	HOLDER ASSY, BRUSH		1						
11	3	X21148313	BRUSH (-)		1						
12	3	X21149314	SPRING, BRUSH		3						
13	2	X211445508	PINION ASSY		1						
14	2	X211416603	HOUSING ASSY, GEAR		1						
15	3	X21145352	METAL		1						
16	2	X211478006	COVER KIT		1						
17	2	X211456013	LEVER KIT SHIFT		1						
18	2	X211427501	SWITCH, MAGNETIC		1						
19	2	X211468005	BOLT, THROUGH		2						
20	2	X21145867	BOLT, M6		2						
21	2	X21142835	SCREW SET		1						
22	1	114385-77400	BRACKET		1						
23	1	114351-77540	HARNES, WIRE		1						
24	2	29411-150000	FUSE, CARTRIDGE 15A		2						
25	1	119660-77710	LIMITER, CURRENT 15A		1						
26	1	26023-040102	SCREW, M4X10		2						
27	1	26106-060202	BOLT, M6X 20 PLATED		2						
28	1	26106-060122	BOLT, M6X 12 PLATED		2						
29	1	26106-100302	BOLT, M10X 30 PLATED		2						
30	1	114351-78260	DYNAMO ASSY		1						
31	2	114351-78770	STATOR ASSY, 132.1MM		1						
32	2	114351-78780	WHEEL, DYNAMO		1						
33	1	160710-78710	CLAMP, CORD		1						
34	1	26476-060142	SCREW, TAPPING M6X14		1						
35	1	26476-060202	SCREW, TAPPING M6X20		3						
36	1	26577-060142	SCREW M 6X 14		3						

Fig.20. LABEL,TOOL & GASKET SET

Fig. 20 コウグ, ラベル&パッキンセット
TOOL, LABEL & GASKET SET

SPEC. CODE
D14580-07110
D14250-92100
D14668-92150



(A)=L60ADEVSA
(B)=L75ADEVSA
(C)=

(D)=
(E)=
(F)=

No.	Lev.	Parts No.	Description	Q'ty						I	R
				(A)	(B)	(C)	(D)	(E)	(F)		
1	1	114250-92600	BAG, TOOL	1							
2	1	160330-92730	DRIVE, SCREW	1							
3	1	28110-100120	SPANNER, 10X12	1							
4	1	28110-140170	SPANNER, 14X17	1							
5	1	28210-000150	OILER	1							
6	1	114250-92101	F.W. LOCKING HANDLE	1							1
7	1	114250-92130	REMOVER, FLYWHEEL	1							1
9	2	26116-060454	BOLT M 6X 45 PLATED	4							1
10	2	26116-080454	BOLT, M8X 45 PLATED	3							1
11	2	26716-060002	NUT, M6	8							1
12	2	26716-080002	NUT, M8	6							1
13	1	114668-92300	GUIDE, OIL SEAL	1							1
14	1	114650-92310	INSTALLING TOOL	1							1
15	1	114650-92350	INSTALLING TOOL	1							1
16	1	114250-07090	LABEL, AIR COOLED	1							
17	1	114250-07110	LABEL, YANMAR	1							
18	1	114570-07050	LABEL, (L75A)	1							
19	1	114250-07250	LABEL, HOW TO START	1							
20	1	114250-07260	LABEL, OPERATION	1							
21	1	114250-07350	LABEL, YANMAR DIESEL	1							
22	1	114250-07270	LABEL, DECOMP.	1							
23	1	714550-92602	GASKET SET	1							1
24	2	114550-01340	GASKET, HEAD	1							
25	2	114650-01380	O-RING	1							
26	2	114650-01412	GASKET, CRANK CASE	1							
27	2	24311-000180	O-RING, 1AP18.0	2							
28	2	114250-01840	GASKET	1							
29	2	43400-500490	SEAL WASHER 16	2							
30	2	114650-11340	SEAL, VALVE STEM	2							
31	2	114250-11460	GASKET, NOZZLE	1							
32	2	114650-11310	GASKET, BONNET	1							
33	2	114650-12300	GASKET	1							
34	2	114650-12210	GASKET, AIR CLEANER	1							
35	2	114650-13200	GASKET, MUFFLER	1							
36	2	103338-32570	O-RING	1							
37	2	24341-000224	O-RING, 1AS22.4	1							
39	1	114250-07240	LABEL, CAUTION	1							

Remarks
(1) OPTIONAL PART.

Parts No. Index

Parts No.	Fig. No.	Ref. No.
101158-11180	2	8
102100-67080	5	35
	15	39
103338-32570	5	7
	10	37
	15	7
	20	36
103854-01221	4	16
104200-23201	14	46
104211-11370	12	21 A
		41
105010-11490	2	23 A
		43
105025-01220	11	5
105198-07120	9	40
105225-01240	1	5
105425-01690	1	13
	11	17
105546-51020	7	2
	17	2
105546-51330	7	10
	17	14
106100-77630	9	39
106990-44660	8	27
	18	27
114250-01800	1	16
	11	21
114250-01830	1	21
	11	26
114250-01840	1	22
	10	29
	11	27
	20	28
114250-02030	1	31
	11	35
114250-03591	2	33
	12	32
114250-03640	2	40
	12	35
114250-07090	10	16
	20	16
114250-07110	10	17
	20	17
114250-07240	10	19
	20	39
114250-07250	10	22
	20	19
114250-07260	10	20
	20	20
114250-07270	10	40

Parts No.	Fig. No.	Ref. No.
114250-07270	20	22
114250-07350	10	21
	20	21
114250-11240	2	19
		22
	12	17
		20
114250-11290	2	11
114250-11310	2	31
	10	33
114250-11460	2	15
	10	32
	12	13
	20	31
114250-11600	2	17
114250-11651	2	18
114250-11900	2	24
	12	22
114250-11951	2	32
114250-12210	3	3
	10	35
114250-12520	3	7
114250-12530	3	8
114250-12550	3	5
114250-12560	3	9
114250-12580	3	10
114250-13200	3	14
	10	36
114250-14200	4	5
114250-14260	4	7
	14	6
114250-21550	4	17
114250-23200	4	49
114250-23220	4	50
114250-23250	4	51
114250-32010	5	1
114250-32070	5	6
	15	6
114250-35070	5	10
	15	10
114250-35150	1	23
	11	28
114250-39450	11	30
114250-45300	6	3
	16	3
114250-45310	6	4
	16	4
114250-45330	6	6
114250-51080	7	3
	17	3

Parts No.	Fig. No.	Ref. No.
114250-51150	7	7
	17	9
114250-51160	7	8
	17	10
114250-51180	7	5
	17	7
114250-51190	7	6
	17	8
114250-51300	7	9
114250-51340	7	11
	17	15
114250-51600	7	13
	17	17
114250-51640	7	14
	17	21
114250-51650	7	15
	17	22
114250-53080	7	20
	17	29
114250-53120	7	21
	17	30
114250-53130	7	22
	17	31
114250-53140	7	23
	17	32
114250-53210	7	24
	17	33
114250-53300	7	25
114250-53331	7	28
	17	37
114250-53400	7	29
	17	38
114250-55041	8	3
	18	3
114250-55050	8	4
	18	4
114250-55060	8	5
	18	5
114250-55100	8	8
	18	8
114250-55130	8	15
	18	15
114250-55201	8	13
	18	13
114250-55211	8	16
	18	16
114250-55300	8	18
	18	18
114250-59050	18	28
114250-59060	8	30

Parts No.	Fig. No.	Ref. No.
114250-59060	18	31
114250-61900	5	49
	15	28
114250-66200	5	32
	15	35
114250-66440	5	36
	15	38
114250-76600	6	26
114250-76610	6	27
114250-92101	10	6
	20	6
114250-92130	10	7
	20	7
114250-92600	10	1
	20	1
114252-12550	13	12
114252-12560	13	11
114252-13800	3	19
114252-55800	8	20
	18	20
114252-66252	5	33
	15	36
114254-66050	5	30
	15	33
114254-66100	5	34
	15	37
114350-01200	1	1
114350-01210	1	2
114350-01220	1	3
114350-01250	1	4
114350-01340	1	6
	10	25
114350-01380	1	7
	10	26
114350-01412	1	8
	10	27
114350-01700	1	40
	11	3
114350-02100	1	12
114350-02113	1	32
114350-02200	1	42
114350-02210	1	43
114350-11101	2	5
114350-11113	2	6
114350-11120	2	7
114350-11340	2	14
	10	31
114350-11470	2	16
	12	14
114350-12011	3	1

Parts No. Index

Parts No.	Fig. No.	Ref. No.
114350-12201	3	2
	10	34
114350-14450	4	6
114350-22301	4	44
114350-45320	6	5
	16	5
114350-45340	6	7
	16	7
114350-51200	7	4
114350-55120	8	14
114350-55150	8	9
114350-55231	8	17
114350-59800	8	31
114350-76590	6	25
114350-76591	6	25 -1
114350-92301	10	13
114350-92311	10	14
114350-92350	10	15
114351-77500	9	34
114351-77540	9	41
	19	23
114351-77700	9	36
114351-78260	9	26
	19	30
114351-78770	9	27
	19	31
114351-78780	9	28
	19	32
114352-13620	3	15
114352-13631	3	16
114352-13721	3	17
114354-66550	5	38
	15	41
114360-01453	1	9
114360-45101	6	1
114360-59060	8	29
114362-21600	4	20
114362-77010	9	1
	19	1
114370-07050	10	18
114385-77400	9	33
	19	22
114450-11021	2	1
114550-01340	11	10
	20	24
114550-11010	12	1
114570-07050	20	18
114650-01230	11	6
114650-01240	11	7
114650-01250	11	8

Parts No.	Fig. No.	Ref. No.
114650-01260	11	9
114650-01380	11	11
	20	25
114650-01412	11	12
	20	26
114650-02100	11	16
114650-02150	11	36
114650-02200	11	42
114650-02210	11	43
114650-11100	12	5
114650-11121	12	7
114650-11261	12	11
114650-11310	12	29
	20	32
114650-11340	12	12
	20	30
114650-11600	12	15
114650-11652	12	16
114650-11951	12	30
114650-12020	13	1
114650-12210	13	2
	20	34
114650-12300	13	3
	20	33
114650-12520	13	6
114650-12530	13	7
114650-12540	13	9
114650-12550	13	10
114650-12590	13	8
114650-13200	13	16
	20	35
114650-13800	13	23
114650-14200	14	5
114650-14401	14	7
114650-21551	14	16
114650-22300	14	41
114650-32010	15	1
114650-45200	16	2
114650-45330	16	6
114650-51100	17	4
114650-51300	17	11
114650-53000	17	26
114650-53300	17	34
114650-55120	18	14
114650-55150	18	9
114650-55230	18	17
114650-55810	8	21
	18	21
114650-59800	18	34
114650-59850	18	40

Parts No.	Fig. No.	Ref. No.
114650-76520	16	16
114650-76540	16	19
114650-76630	16	26
114650-76631	16	26 -1
114650-92310	20	14
114650-92350	20	15
114652-59300	18	29
114652-59310	18	32
114654-11110	12	6
114660-01470	11	13
114660-76050	16	14
114660-76051	16	14 -1
114660-76052	16	14 -2
114660-76250	16	15
114660-76251	16	15 -1
114660-76530	16	17
114660-76531	16	17 -1
114660-76590	16	30
114660-76591	16	30 -1
114660-76592	16	30 -2
114662-21592	14	20
114662-21601	14	21
114668-45102	16	1
114668-92300	20	13
114674-13510	13	18
114674-13550	13	17
114870-45200	6	2
114870-53000	7	19
114870-66010	5	29
114870-76530	6	16 -1
	16	18 -1
114870-76540	6	17 -1
	16	19 -1
114870-76560	6	18 -1
	16	21 -1
114870-76570	6	24 B
	16	22 -1
114870-76580	6	24 C
	16	29 B
114870-76620	6	21 -1
	16	25 -1
114870-76630	6	22 -1
114880-76050	6	12
114880-76051	6	12 -1
114880-76250	6	13
114880-76251	6	13 -1
114880-76511	6	14 -1
114880-76520	6	15 -1
	16	16 -1
114880-76550	6	24 A

Parts No.	Fig. No.	Ref. No.
114880-76550	16	29 A
114881-21590	4	18
114970-13710	13	20
114970-66010	15	32
114973-13710	13	21
119620-11180	12	8
119660-77710	9	43
	19	25
121450-61520	5	25
	15	27
121750-59890	18	33
122710-01220	14	15
124060-23100	14	45
124550-51350	7	12
	17	16
124722-59050	8	10
		28
	18	10
		30
129792-22400	14	42
135210-61090	5	28
	15	31
160110-02220	1	33
		34
160120-76940	5	48
	6	9
	15	51
	16	9
160260-01580	13	22
160310-14550	4	59
	14	19
160330-92730	10	2
	20	2
160710-78710	9	29
	19	33
160810-76520	6	15
160810-76540	6	17
160810-76580	6	19
160810-76620	6	21
160810-76630	6	22
160840-76530	6	16
160840-76560	6	18
160910-01740	1	14
	11	18
160910-76530	16	18
160910-76550	16	20
160910-76560	16	21
160910-76570	16	22
160910-76580	16	23
160910-76620	16	25

Parts No. Index

Parts No.	Fig. No.	Ref. No.
160910-76650	16	27
181130-76680	6	23
181130-76700	6	24
183382-13700	13	19
183720-55210	6	8
	16	8
22117-060000	8	22
	18	22
22117-080000	8	23
	18	23
22137-080000	5	27
	15	30
22217-060000	16	28
22252-000210	4	45
22312-030080	4	52
22312-030160	2	41
	5	8
	12	37
	15	8
22312-080120	1	25
	11	29
22351-020006	7	16
	17	23
22351-030008	7	17
	17	24
22351-040008	2	25
	12	23
22451-060000	5	43
	15	46
22512-040120	4	15
22512-050140	14	22
22512-070360	4	60
	14	17
23414-120000	8	11
	18	11
23871-010000	1	24
23887-120002	8	12
	18	12
24101-062024	4	25
24101-062034	14	57
24101-062060	1	35
24101-062070	11	37
24162-152112	1	36
	11	38
24311-000180	1	15
	10	28
	11	20
	20	27
24341-000150	8	19
	18	19

Parts No.	Fig. No.	Ref. No.
24341-000224	5	11
	10	38
	15	11
	20	37
24423-355008	11	39
26023-040102	9	22
	19	26
26106-060082	3	18
	6	28
	16	12
26106-060122	6	29
	9	24
	16	13
		13 -1
	19	28
26106-060162	5	12
	15	12
26106-060202	5	44
	9	23
	15	47
	19	27
26106-060252	3	11
	13	13
26106-060552	2	42
26106-060702	12	40
26106-080122	1	37
	11	40
26106-080162	3	20
	13	24
26106-080202	4	61
	14	18
26106-080352	1	26
	11	31
26106-080452	2	26
	8	24
	18	24
26106-100122	1	41
	11	4
26106-100302	9	25
	19	29
26106-100552	12	24
26116-060454	10	9
	20	9
26116-080454	10	10
	20	10
26117-040088	5	45
	15	48
26216-080182	2	27
26226-060142	3	12
	13	14

Parts No.	Fig. No.	Ref. No.
26226-060182	1	27
	11	32
26226-060222	1	28
	11	33
26226-060502	2	28
	12	25
26226-060552	2	29
26226-060752	12	26
26226-080202	12	27
26366-060002	1	29
	2	30
	3	13
	8	25
	11	34
	12	28
	13	15
	18	25
26366-080002	3	21
	13	25
26476-060142	5	9
		46
	8	26
	9	30
	15	9
		50
	18	26
	19	34
26476-060202	6	10
	9	31
	16	10
	19	35
26476-060252	6	11
	16	11
26577-060142	9	32
	19	36
26696-100002	5	47
	15	49
26716-060002	10	11
	20	11
26716-080002	10	12
	20	12
26717-060002	16	29
26756-060002	2	20
		23
	12	18
		21
26757-060002	5	37
	15	40
27310-060001	2	9
27310-070001	12	9

Parts No.	Fig. No.	Ref. No.
28110-100120	10	3
	20	3
28110-140170	10	4
	20	4
28210-000150	10	5
	20	5
29220-083200	9	37
29411-150000	9	42
	19	24
43400-500490	1	30
	10	30
	11	41
	20	29
714250-12560	3	4
714350-22502	4	28
714350-22542	4	34
714350-22550	4	40
714350-23600	4	53
714350-23610	4	55
714350-23620	4	57
714350-23704	4	46
714350-51710	7	1
714350-55701	8	1
714350-61551	5	13
	15	13
714350-92602	10	24
714370-11660	2	21
714371-01560	1	38
714380-21720	4	8
714380-22580	4	38
714380-22620	4	32
714380-22720	4	26
714550-22502	14	25
714550-22542	14	31
714550-22550	14	37
714550-51700	17	1
714550-92602	20	23
714560-22580	14	35
714560-22623	14	29
714560-22723	14	23
714571-01560	11	1
714650-12560	13	4
714650-23600	14	47
714650-23610	14	49
714650-23620	14	51
714650-23700	14	43
714650-53100	17	25
714650-55701	18	1
714670-11660	12	19
714685-21710	14	8

Parts No. Index

Parts No.	Fig. No.	Ref. No.
714689-14580	14	1
714770-61700	5	20
714870-28510	4	21
714870-53100	7	18
714880-14580	4	1
714970-28510	14	53
714970-61700	15	22
X211416603	9	14
	19	14
X211427501	9	18
	19	18
X21142835	9	21
	19	21
X21143215	9	7
	19	7
X211445508	9	13
	19	13
X21145312	9	6
	19	6
X21145352	9	9
		15
	19	9
		15
X211456013	9	17
	19	17
X21145867	9	20
	19	20
X211461104	9	2
	19	2
X211468005	9	19
	19	19
X21147155	9	4
	19	4
X211473008	9	8 -1
	19	8 -1
X211478006	9	16
	19	16
X21148110	9	3
	19	3
X21148313	9	11
	19	11
X211489001	9	10
	19	10
X211492108	9	5 -1
	19	5 -1
X21149314	9	12
	19	12

Parts No.	Fig. No.	Ref. No.
-----------	----------	----------

Parts No.	Fig. No.	Ref. No.
-----------	----------	----------

Parts No.	Fig. No.	Ref. No.
-----------	----------	----------