

OCD10-M36303EN

# PREFACE

1. This Parts Catalog is the 1st edition of 3TN84TL-RTBY/Z Diesel Engine for TAKEUCHI IND..

Pub. No. : 000Y00D3633

Published : May,1995

2. Model name

Engine model	Vehicle		Vehicle made by
	Products	Model name	
3TN84TL-RTBY/Z	EXCAVATOR	—	TAKEUCHI IND.

## Directions for the Parts Catalog.

1. The parts stipulated in this Parts Catalog are not necessarily standard equipped parts.
2. Parts may change without prior notice.
3. The following is an example of the Parts Catalog format.

REF.	LEV.	PARTS NO.	DESCRIPTION	Q'TY						I	R
				(A)	(B)	(C)	(D)	(E)	(F)		
1	1	729595-51390	FUEL INJECTION PUMP	1	1	1	1	1			1
1-1	1	729595-51391	FUEL INJECTION PUMP	1	1	1	1	1		N	1
		(A=E00185) (B=E00200)									
3	2	26022-060162	SCREW M 6X 16	9	9	9	9	9			
3-1	2	26022-060162	SCREW M 6X 16	4	4	4	4	4		K	
		(A=E00156) (B=E00156) (C=E00156) (D=E00156) (E=E00156)									
4	2	129470-51040	CAMSHAFT	1	1	1	1	1			
5	2	122710-51050	BEARING, ROLLER	2	2	2	2	2			
6	2	129470-51060	RETAINER	1	1	1	1	1			

Remarks
(1) BOOST COMPEMSATOR TYPE. OPTIONAL PART, TO E00155,(4JH-DT, 4JH-DTZ

### ① Ref. No.

The Ref. No. listed may not be in accordance with the illustration Ref. No.

(Ex.) Illustration No.

List Ref No.

1

1

(Before change)

1-1

(After change)

For interchangeable symbols N, R and K, illustrations for new parts may be abbreviated.

### ② Lev. (Level)

Level indication

The numbers below indicate the level of relativity towards the main part.

1 ----- Main parts (Assembly parts)

2 ----- Sub component included in " 1 ".

3 ----- Sub component included in " 2 ".

Note) Parts that are not for sale are partially illustrated but not listed.

### ③ Interchangeability Mark

When a part change takes place, one of the following interchangeability symbols is indicated beside the part.

Symbol	Interchangeability	Contents note
N	Old $\begin{matrix} \leftarrow \text{Yes} \\ \text{No} \rightarrow \end{matrix}$ New	New Part is interchangeable for Old Part but Old Part is not interchangeable for New Part.
Q	Old $\begin{matrix} \leftarrow \text{No} \\ \text{Yes} \rightarrow \end{matrix}$ New	New Part is not interchangeable for Old Part but Old Part is interchangeable for New Part.
R	Old $\begin{matrix} \leftarrow \text{Yes} \\ \text{Yes} \rightarrow \end{matrix}$ New	New/ Old Parts are both interchangeable.
S	Old $\begin{matrix} \leftarrow \text{No} \\ \text{No} \rightarrow \end{matrix}$ New	New/ Old Parts are both not interchangeable.
W		Part newly added.
Z		Part discontinued.
F		Not interchangeable by a single part but interchangeable together with related parts.
K		Changes only for used parts quantities.

### ④ Effective Machine No.

When a part changes, the effective Machine No. will be indicated in the (A)-(F) column.

Product Symbol	Product No.	Product Symbol	Product No.
C	Clutch No. Compressor No.	F	Machine No. (Agricultural Equip.)
D	Drive No.	M	Machine No.
E	Engine No.		

Note 1) A date may follow the symbol. (Ex.) 1996.01

Note 2) " XXXXX " and " ZZZZZ " are for parts that could not be predicted or for engine models that could not be identified.

Note 3) (A=E00185) is the E (Engine Serial Number) for the column (A) model (in this case 4JH-DT) after the parts design change.

### ⑤ Remarks Mark

Figures or alphabets (symbols) are entered in the remarks column.

The comments (remarks) on parts that are indicated at the bottom of the illustration are the same symbols as those stated above.

# Contents

Fig. No.    Fig. Name

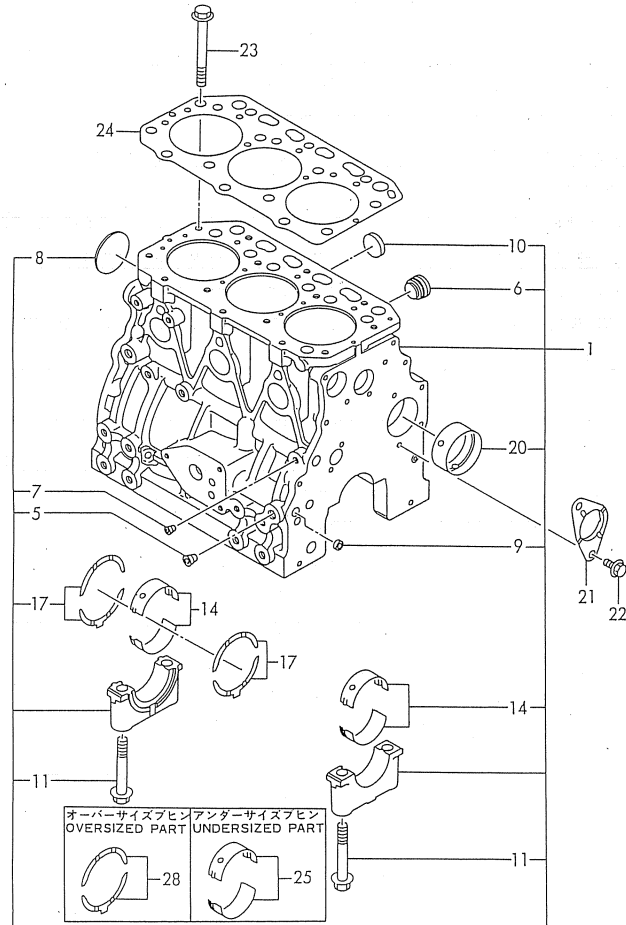
3TN84TL-RTBY,Z

1. CYLINDER BLOCK
2. GEAR HOUSING
3. FLYWHEEL HOUSING & OIL SUMP
4. CYLINDER HEAD & BONNET
5. SUCTION MANIFOLD & AIR CLEANER
6. EXHAUST MANIFOLD & SILENCER
7. CAMSHAFT & DRIVE GEAR
8. TURBO-CHARGER(COMPONENT PARTS)
9. CRANKSHAFT & PISTON
10. LUB. OIL SYSTEM
11. LUB. OIL PIPES
12. COOLING WATER SYSTEM
13. FUEL INJECTION PUMP
14. FUEL INJECTION SYSTEM
15. FUEL OIL PIPES
16. GOVERNOR
17. ENGINE STOPPING DEVICE
18. STARTING MOTOR
19. GENERATOR
20. GASKET SET & TOOLS

Fig. No.    Fig. Name

# Fig.1. CYLINDER BLOCK

029106-01100  
029150-02100  
029129-02200



(A)=3TN84TL-RTBY  
(B)=3TN84TL-RTBZ  
(C)=

(D)=  
(E)=  
(F)=

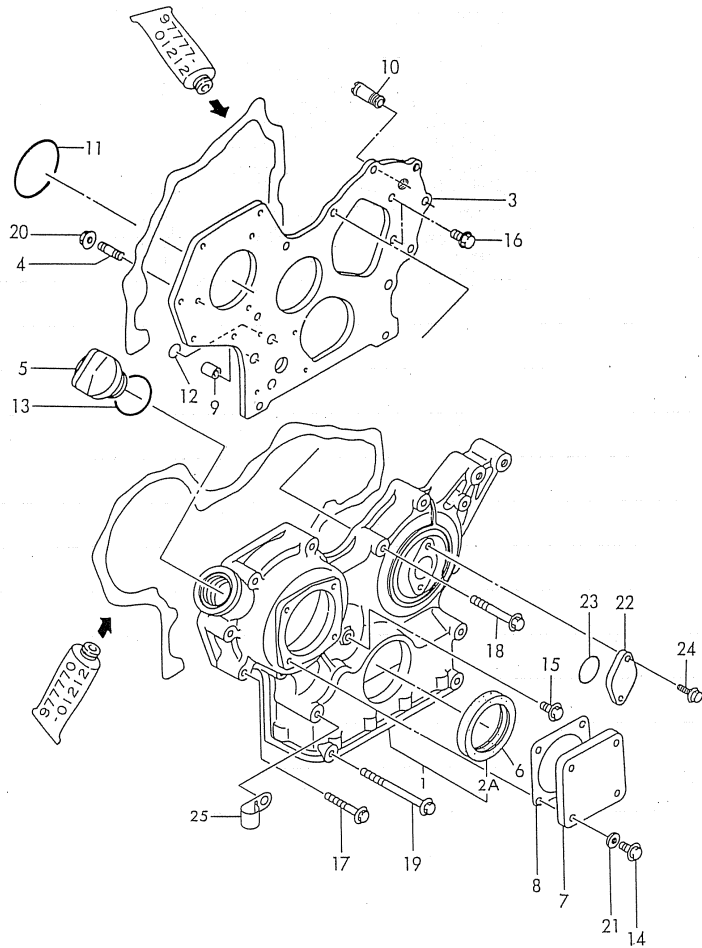
No.	Lev.	Parts No.	Description	Q'ty						I	R
				(A)	(B)	(C)	(D)	(E)	(F)		
1	1	729106-01560	BLOCK ASSY, CYLINDER	1	1						
5	2	124160-01910	PLUG, PT1/4	3	3						
6	2	171051-01921	PLUG, NPTF1	1	1						
7	2	23871-010000	PLUG, R01	1	1						
8	2	27231-500000	PLUG 50	1	1						
9	2	27241-120000	PLUG, 12	2	2						
10	2	27241-300000	PLUG 30	6	6						
11	2	129150-02020	BOLT, METAL CAP	8	8						
14	2	129150-02800	BEARING, MAIN	4	4						
17	2	129150-02930	BEARING, THRUST	2	2						
20	2	129795-02411	BUSH, CAMSHAFT	1	1						
21	1	129150-02450	BEARING, THRUST	1	1						Z
(A=E12320) (B=E12608)											
22	1	26106-080162	BOLT, M8X 16 PLATED	2	2						
23	1	129150-01200	BOLT, HEAD	14	14						
24	1	129157-01332	GASKET, HEAD	1	1						G
24-1	1	129157-01333	GASKET, HEAD	1	1						R G
(A=E12320) (B=E12608)											
25	1	129150-02870	BEARING, 0.25 US	4	4						1
28	1	129150-02940	BEARING, THRUST 0.25	2	2						2

**Remarks**

- (1) UNDER-SIZE(U.S=0.25)PART.
- (2) OVER-SIZE(O.S=0.25)PART.
- (G) THESE PARTS ARE SOLD BY FIG.20, REF.NO.1,1-1.

Fig.2. GEAR HOUSING

D29103-01220  
D29100-01610



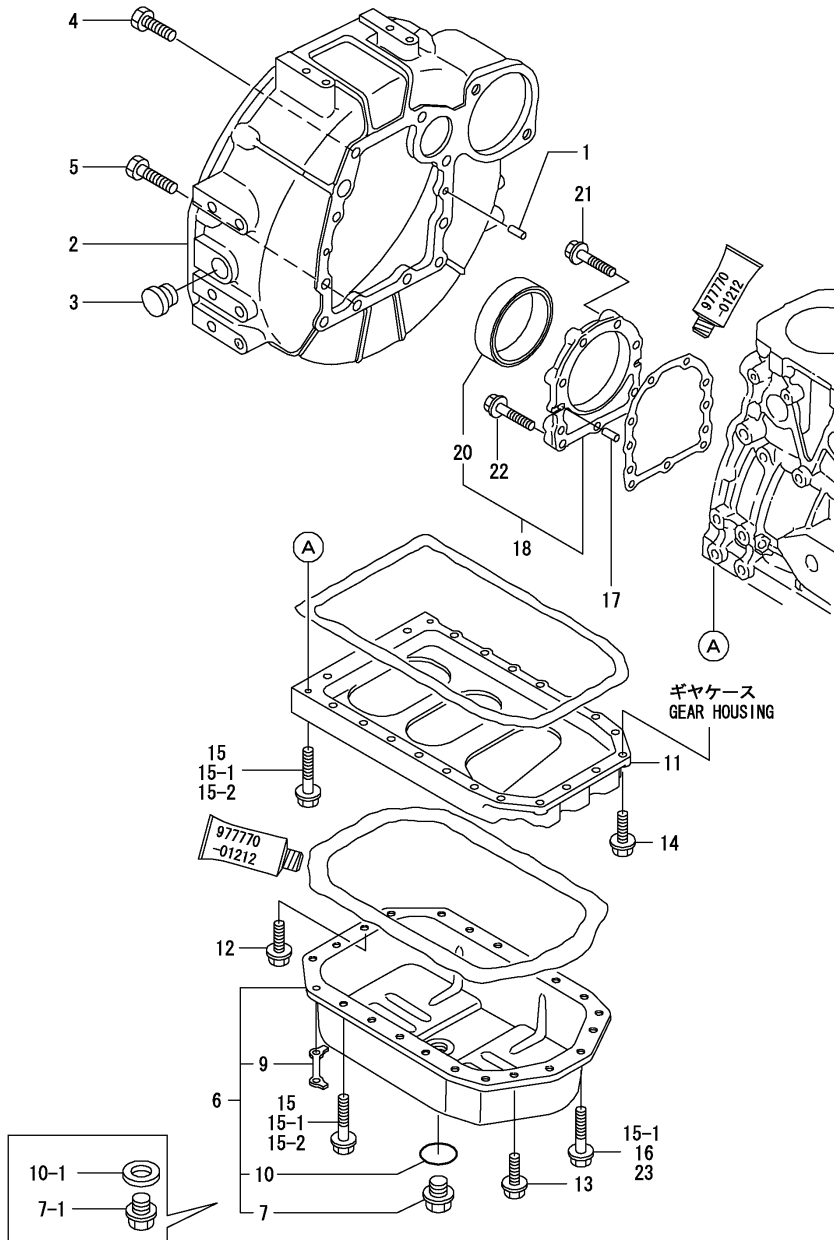
(A)=3TN84TL-RTBY  
(B)=3TN84TL-RTBZ  
(C)=

(D)=  
(E)=  
(F)=

No.	Lev.	Parts No.	Description	Q'ty						I	R
				(A)	(B)	(C)	(D)	(E)	(F)		
1	1	129400-01590 (A=EXXX) (B=EXXX)	CASE ASSY, GEAR	1	1						W
1-1	1	719810-01500	CASE ASSY, GEAR	1	1						N
2A	2	129795-01800 (A=EXXX) (B=EXXX)	SEAL, OIL	1	1						W
3	1	129103-01530	FLANGE, GEAR CASE	1	1						
4	1	121450-01560	STUD, M8X22	3	3						
5	1	124160-01751	COVER, FILLER	1	1						
6	1	129795-01800 (A=EXXX) (B=EXXX)	SEAL, OIL	1	1						Z
7	1	124240-01871	COVER	1	1						
8	1	124240-01883	GASKET	1	1						G
9	1	129795-01950	PIPE, KNOCK L=18	2	2						
10	1	129122-44480	JOINT	1	1						
11	1	121850-51960	O-RING	1	1						G
12	1	24311-000160	O-RING, 1AP16.0	2	2						
13	1	24311-000320	O-RING, 1AP32.0	1	1						G
14	1	26106-080122	BOLT, M8X 12 PLATED	4	4						
15	1	26106-080162	BOLT, M8X 16 PLATED	1	1						
16	1	26106-080202	BOLT, M8X 20 PLATED	2	2						
17	1	26106-080452	BOLT, M8X 45 PLATED	6	6						
18	1	26106-080552	BOLT, M8X 55 PLATED	3	3						
19	1	26106-080852	BOLT, M8X 85 PLATED	4	4						
20	1	26366-080002	NUT, M8	3	3						
21	1	43400-500410	SEAL WASHER 8S	4	4						
21-1	1	22190-080002	WASHER, SEAL 6	4	4						N
22	1	121023-01550 (A=E12108) (B=E12608)	COVER	1	1						
23	1	24341-000240	O-RING, 1AS24.0	1	1						
24	1	26106-060122	BOLT, M6X 12 PLATED	2	2						
25	1	129150-03100 (A=EXXX) (B=EXXX)	RETAINER, PIPE	1	1						W

Remarks  
(G) THESE PARTS ARE SOLD BY FIG.20,  
REF.NO.1,1-1.

Fig.3. FLYWHEEL HOUSING & OIL SUMP



(A)=3TN84TL-RTBY  
(B)=3TN84TL-RTBZ  
(C)=

(D)=  
(E)=  
(F)=

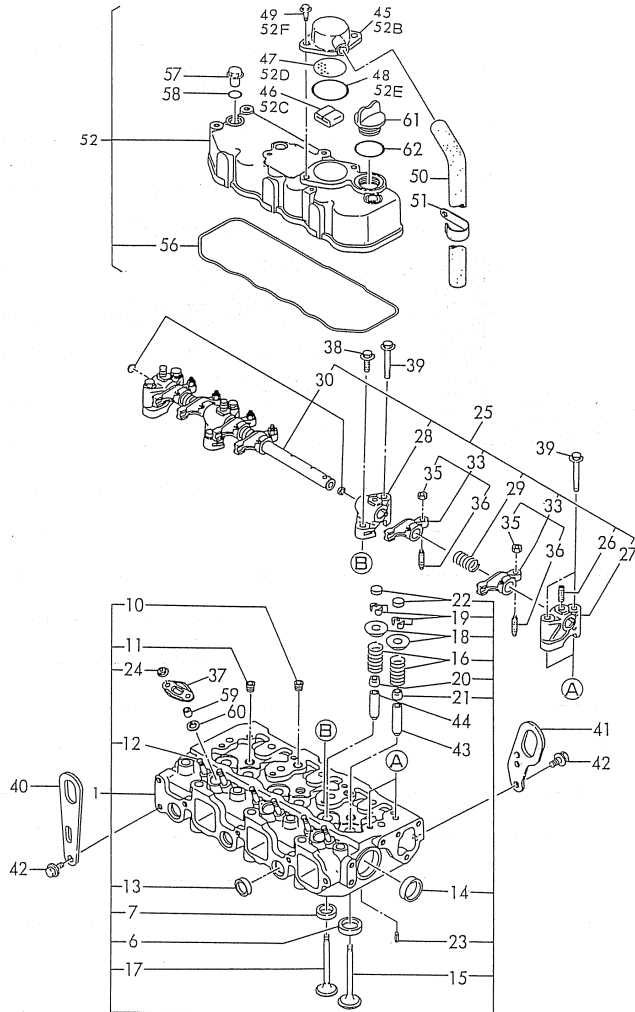
No.	Lev.	Parts No.	Description	Q'ty						I	R
				(A)	(B)	(C)	(D)	(E)	(F)		
1	1	129100-01580	PIN, M8X16	2	2						
2	1	171301-01600	HOUSING, FLYWHEEL	1	1						
3	1	119620-01750	CAP	1	1						
4	1	26206-100252	BOLT, M10X 25 PLATED	6	6						
5	1	26206-100302	BOLT, M10X 30 PLATED	4	4						
6	1	729102-01540	SUMP ASSY, OIL	1	1						
7	2	171301-01640	PLUG, 22	1	1						
7-1	2	119640-01640 (A=E12697) (B=E12613)	PLUG, DRAIN M22	1	1						S
9	2	129100-01790 (A=E12697) (B=E12613)	RETAINER	2	2						Z
10	2	24341-000240	O-RING, 1AS24.0	1	1						
10-1	2	22190-220002 (A=E12697) (B=E12613)	WASHER, SEAL 22	1	1						S
11	1	129100-01730	SPACER, OIL SUMP	1	1						
13	1	26106-080162	BOLT, M8X 16 PLATED	4	4						
14	1	26106-080252	BOLT, M8X 25 PLATED	2	2						
15	1	26106-080452	BOLT, M8X 45 PLATED	16	16						
15-1	1	26106-080452 (A=E12697) (B=E12613)	BOLT, M8X 45 PLATED	20	20						K
15-2	1	26106-080452 (A=FROM 1ST) (B=FROM 1ST)	BOLT, M8X 45 PLATED	16	16						K
16	1	26106-080502 (A=E12697) (B=E12613)	BOLT, M8X 50 PLATED	4	4						Z
17	1	129100-01580	PIN, M8X16	2	2						
18	1	129100-01640	CASE ASSY, OIL SEAL	1	1						
20	2	129795-01780	SEAL, OIL	1	1						
21	1	26106-080302	BOLT, M8X 30 PLATED	6	6						
22	1	26106-080352	BOLT, M8X 35 PLATED	3	3						
23	1	26106-080502	BOLT, M8X 50 PLATED	4	4						W
				(A=FROM 1ST)	(B=FROM 1ST)						

# Fig.4. CYLINDER HEAD & BONNET

(A)=3TN84TL-RTBY  
(B)=3TN84TL-RTBZ  
(C)=

(D)=  
(E)=  
(F)=

029132-03120  
029139-07300  
029102-11100  
029100-11220



No.	Lev.	Parts No.	Description	Q'ty						I	R
				(A)	(B)	(C)	(D)	(E)	(F)		
1	1	771364-11701	HEAD ASSY, CYLINDER	1	1						
6	2	129470-11080	SEAT, INTAKE VALVE	3	3						
7	2	129470-11090	SEAT, EXHAUST VALVE	3	3						
10	2	121850-11860	PLUG, PT1/4	2	2						
11	2	23871-030000	PLUG, R03	3	3						
12	2	26216-060202	STUD, M6X 20	6	6						
13	2	27241-220000	PLUG, 22	3	3						
14	2	27241-400000	PLUG, 40	2	2						
15	2	129100-11100	VALVE, INTAKE	3	3						
16	2	129795-11120	SPRING, VALVE	6	6						
17	2	129100-11130	VALVE, EXHAUST	3	3						
18	2	129795-11180	RETAINER, SPRING	6	6						
19	2	103338-11190	COTTER	6	6						
20	2	121400-11340	SEAL, VALVE STEM	3	3						
21	2	124460-11340	SEAL, VALVE STEM	3	3						
22	2	129150-11370	CAP, VALVE	6	6						
23	2	22351-060012	PIN, SPRING 6.0X12	2	2						
24	2	26366-060002	NUT, M6	6	6						
25	1	129155-11241	SHAFT ASSY, ROCKER	1	1						
26	2	26226-080182	STUD, M8X 18	3	3						
27	2	129155-11260	SUPPORT, ROCKER ARM	2	2						
28	2	129155-11270	SUPPORT, ROCKER ARM	2	2						
29	2	129150-11280	SPRING	3	3						
30	2	129150-11290	SHAFT, ROCKER ARM	1	1						
33	2	729150-11650	ARM ASSY, ROCKER	6	6						
33-1	2	729402-11650	ARM ASSY, ROCKER	6	6						N
		(A=EXXX) (B=EXXX)									
35	3	129150-11750	NUT, M8	6	6						
36	3	129150-11230	SCREW, VALVE ADJUST	6	6						
37	1	119625-11900	RETAINER, NOZZLE	3	3						
38	1	26106-080252	BOLT, M8X 25 PLATED	2	2						
39	1	26106-080502	BOLT, M8X 50 PLATED	6	6						
40	1	124736-07900	LIFTER	1	1						
41	1	119260-07900	LIFTER	1	1						
42	1	26106-080142	BOLT, M8X 14 PLATED	3	3						
43	1	120130-11860	GUIDE, VALVE	3	3						1
44	1	129150-11810	GUIDE, VALVE	3	3						1
45	1	129150-03020	COVER, BREATHER	1	1						Z
		(A=EXXX) (B=EXXX)									
46	1	129150-03070	BAFFLE, BREATHER	1	1						Z
		(A=EXXX) (B=EXXX)									
47	1	129150-03080	PLATE, BAFFLE	1	1						Z
		(A=EXXX) (B=EXXX)									
48	1	24341-000500	O-RING, 1AS50.0	1	1						Z G
		(A=EXXX) (B=EXXX)									
49	1	26106-080162	BOLT, M8X 16 PLATED	2	2						Z
		(A=EXXX) (B=EXXX)									
50	1	171350-03090	PIPE, BREATHER 900	1	1						
50-1	1	23065-160800	PIPE, 16X 800	1	1						N
		(A=EXXX) (B=EXXX)									
51	1	129150-03100	RETAINER, PIPE	1	1						Z

Remarks

(1) REPAIR PART.  
(G) THESE PARTS ARE SOLD BY FIG.20,  
REF.NO.1,1-1.

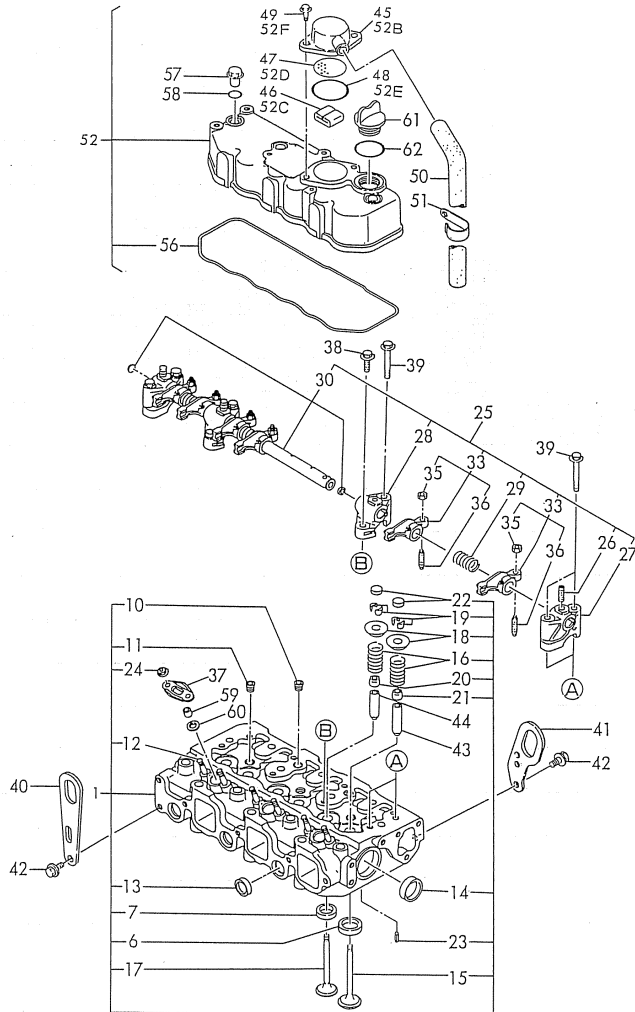


# Fig.4. CYLINDER HEAD & BONNET

(A)=3TN84TL-RTBY  
 (B)=3TN84TL-RTBZ  
 (C)=

(D)=  
 (E)=  
 (F)=

029132-03120  
 029139-07300  
 029102-11100  
 029100-11220

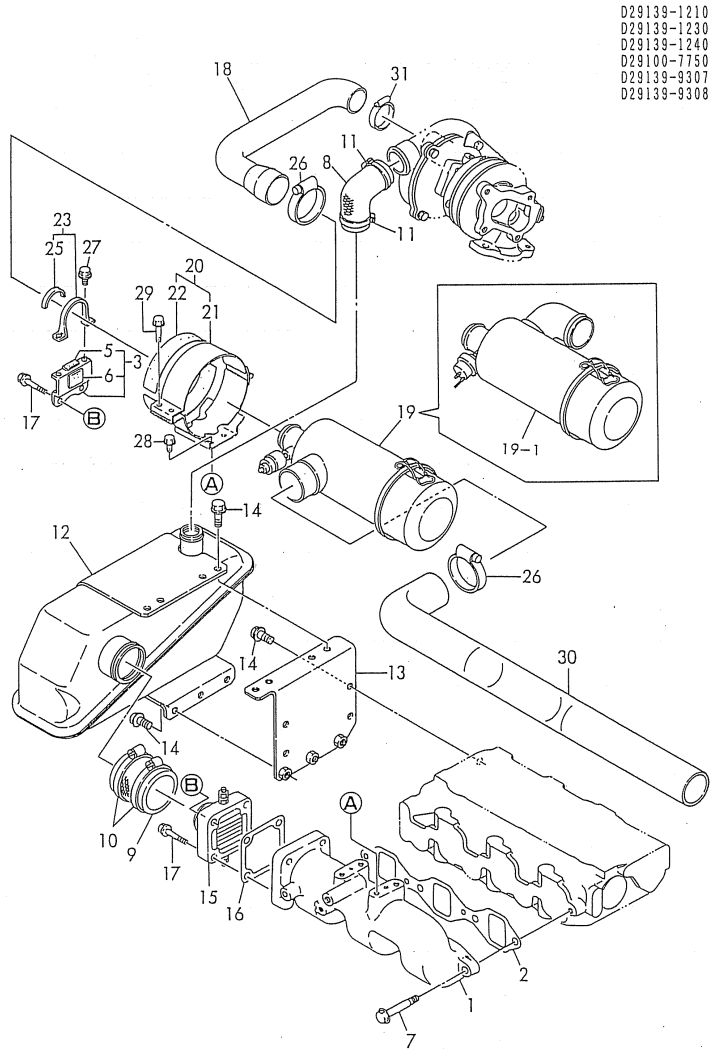


No.	Lev.	Parts No.	Description	Q'ty						I	R
				(A)	(B)	(C)	(D)	(E)	(F)		
52	1	129100-11350	BONNET ASSY, HEAD	1	1						W
52B	2	129150-03020	COVER, BREATHER	1	1						W
52C	2	129150-03070	BAFFLE, BREATHER	1	1						W
52D	2	129150-03080	PLATE, BAFFLE	1	1						W
52E	2	24341-000500	O-RING, 1AS50.0	1	1						W G
52F	2	26106-080162	BOLT, M8X 16 PLATED	2	2						W
54	2	129100-11300	BONNET	1	1						G
56	2	129150-11310	GASKET, BONNET	1	1						G
57	1	124160-11360	KNOB	3	3						G
58	1	24311-000120	O-RING, 1AP12.0	3	3						G
59	1	119625-11870	PROTECTOR, NOZZLE	3	3						
60	1	119625-11880	SEAT, NOZZLE	3	3						
61	1	124160-01751	COVER, FILLER	1	1						
62	1	24311-000320	O-RING, 1AP32.0	1	1						

Remarks

(1) REPAIR PART.  
 (G) THESE PARTS ARE SOLD BY FIG.20,  
 REF.NO.1,1-1.

Fig.5. SUCTION MANIFOLD & AIR CLEANER



(A)=3TN84TL-RTBY  
(B)=3TN84TL-RTBZ  
(C)=

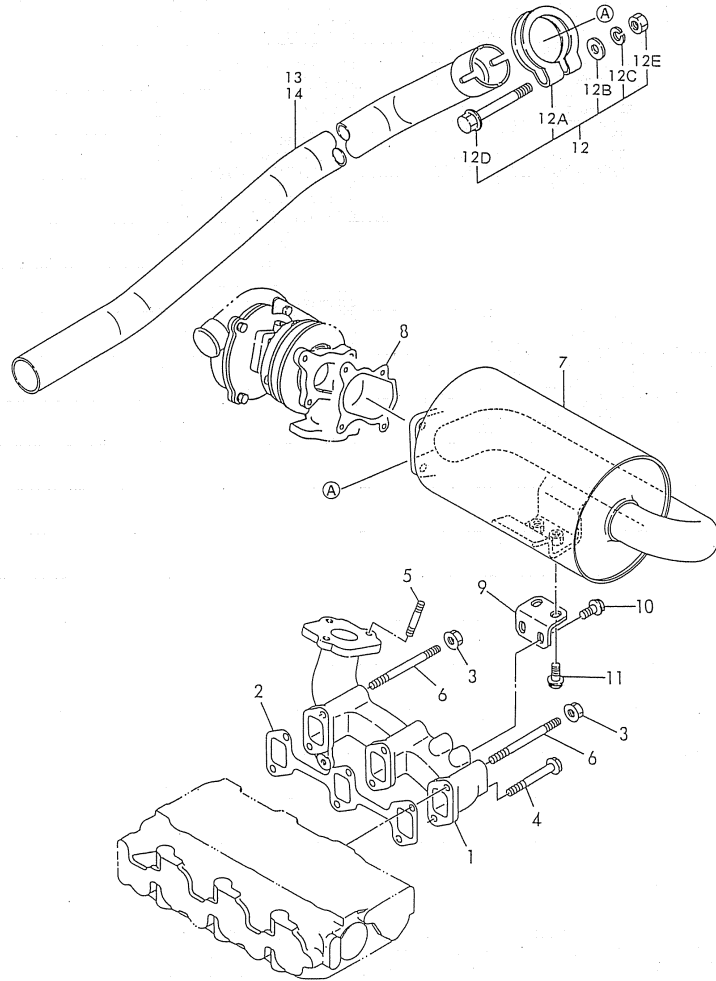
(D)=  
(E)=  
(F)=

No.	Lev.	Parts No.	Description	Q'ty						I	R
				(A)	(B)	(C)	(D)	(E)	(F)		
1	1	129122-12100	MANIFOLD, AIR INTAKE	1	1						
2	1	129150-12111	GASKET, MANIFOLD	1	1						G
3	1	129132-12820	SUPPORT	1	1						
5	2	129132-12890	SEAT, RUBBER	1	1						
6	2	129132-12900	DAMPER	1	1						
7	1	26106-080252	BOLT, M8X 25 PLATED	4	4						
8	1	129139-12050	HOSE, WATER	1	1						
9	1	129122-12060	HOSE	1	1						
10	1	23000-060000	CLAMP, 60	2	2						
11	1	23010-040000	CLAMP, 40	2	2						
11-1	1	23000-041000	CLAMP, 41	2	2						N
		(A=E07218) (B=E07266)									
12	1	129139-12200	TANK, SURGE	1	1						
13	1	129122-12211	BRACKET	1	1						
14	1	26106-080162	BOLT, M8X 16 PLATED	11	11						
15	1	129120-77501	HEATER	1	1						
16	1	129150-77511	GASKET	1	1						G
17	1	26106-080352	BOLT, M8X 35 PLATED	4	4						
18	1	129139-12070	PIPE, AIR INTAKE	1	1						
19	1	129139-12500	CLEANER ASSY, AIR	1	1						
19-1	1	129132-12510	CLEANER ASSY, AIR	1	1						N
		(A=EXXX) (B=EXXX)									
20	1	129132-12581	SUPPORT ASSY,CLEANER	1	1						
21	2	129132-12561	SUPPORT, AIR CLEANER	1	1						
22	2	119640-12580	SEAT, RUBBER	2	2						
23	1	129132-12800	BAND, AIR CLEANER	1	1						
25	2	129132-12860	SEAT, RUBBER	1	1						
26	1	23000-060000	CLAMP, 60	2	2						
27	1	26106-060142	BOLT, M6X 14 PLATED	2	2						
28	1	26106-080142	BOLT, M8X 14 PLATED	4	4						
29	1	26106-080252	BOLT, M8X 25 PLATED	2	2						
30	1	129132-12220	PIPE, AIR INTAKE	1	1						
31	1	23000-048000	CLAMP, 48	1	1						

Remarks  
(G) THESE PARTS ARE SOLD BY FIG.20,  
REF.NO.1,1-1.

Fig.6. EXHAUST MANIFOLD & SILENCER

D29139-13100TK  
 D29139-13211  
 D29139-93070  
 D29139-93080



(A)=3TN84TL-RTBY  
 (B)=3TN84TL-RTBZ  
 (C)=

(D)=  
 (E)=  
 (F)=

No.	Lev.	Parts No.	Description	Q'ty						I	R
				(A)	(B)	(C)	(D)	(E)	(F)		
1	1	129139-13100	MANIFOLD, EXHAUST	1	1						
2	1	129150-13110	GASKET	1	1						G
3	1	194990-22050	NUT, M8	2	2						
4	1	26106-080802	BOLT, M8X 80 PLATED	4	4						
5	1	26216-080222	STUD, M8X 22	3	3						
6	1	26216-080802	STUD, M8X 80	2	2						
7	1	129139-13521	SILENCER ASSY	1	1						
8	1	129403-18090	GASKET	1	1						G
8-1	1	129403-18091	GASKET	1	1						N G
		(A=E12068) (B=E12608)									
9	1	129322-18150	BRACKET	1	1						
10	1	26106-080142	BOLT, M8X 14 PLATED	2	2						
11	1	26106-080202	BOLT, M8X 20 PLATED	2	2						
12	1	121120-13590	CLAMP	1	1						W
		(A=E07858) (B=E07885)									
12A	2	121120-13580	CLAMP	1	1						
12B	2	22137-100000	WASHER, 10	1	1						W
		(A=E07858) (B=E07885)									
12C	2	22217-100000	WASHER, SPRING 10	1	1						W
		(A=E07858) (B=E07885)									
12D	2	26106-100652	BOLT, M10X 65 PLATED	1	1						W
		(A=E07858) (B=E07885)									
12E	2	26706-100002	NUT, M10	1	1						W
		(A=E07858) (B=E07885)									
13	1	129139-13600	PIPE		1						
14	1	129139-13700	PIPE	1							
15	1	129418-18320	STUD, M8X20	4	4						
16	1	194990-22050	NUT, M8	4	4						

Remarks  
 (G) THESE PARTS ARE SOLD BY FIG.20,  
 REF.NO.1,1-1.

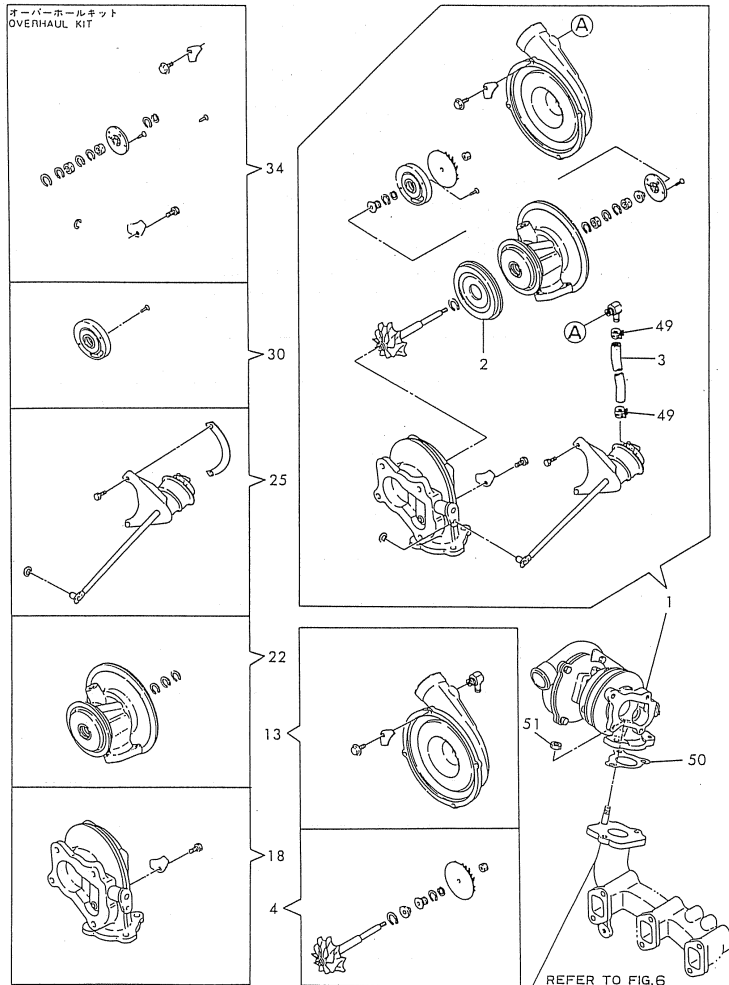


Fig.8. TURBO-CHARGER(COMPONENT PARTS)

(A)=3TN84TL-RTBY  
 (B)=3TN84TL-RTBZ  
 (C)=

(D)=  
 (E)=  
 (F)=

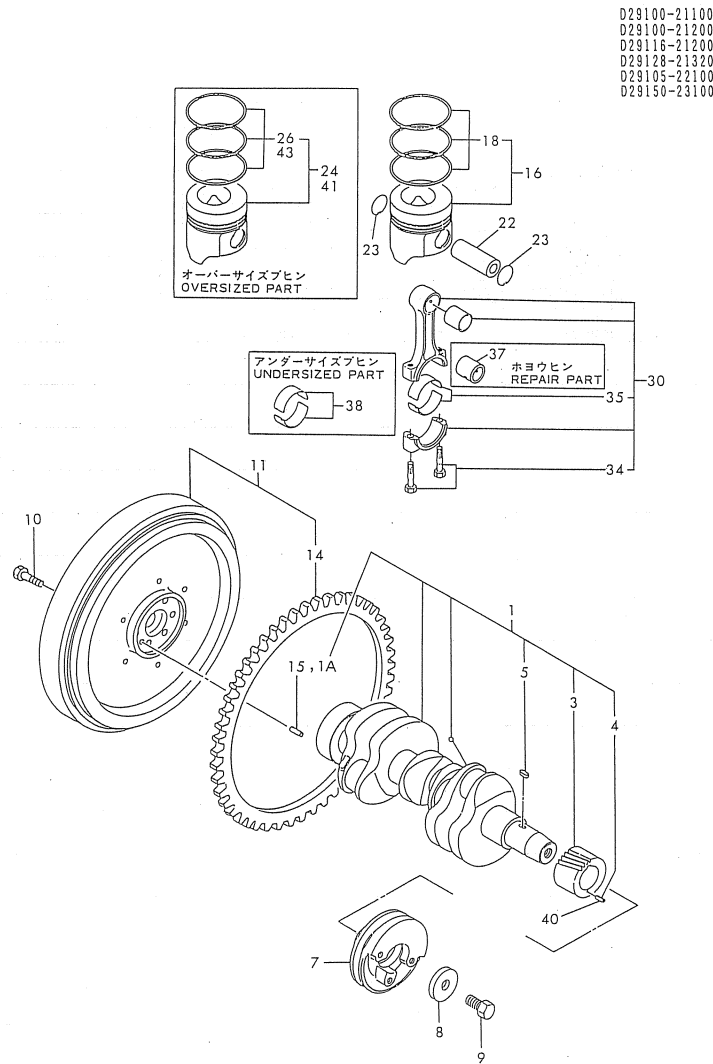
029503-18140



No.	Lev.	Parts No.	Description	Q'ty						I	R
				(A)	(B)	(C)	(D)	(E)	(F)		
1	1	129403-18050	TURBINE, RHB31	1	1						
2	2	129403-18720	PROTECTOR, HEAT	1	1						
3	2	129403-18750	HOSE	1	1						
4	2	129403-18770	ROTOR ASSY, TURBO	1	1						
13	2	129403-18780	HOUSING ASSY, BLOWER	1	1						
18	2	129403-18790	HOUSING ASSY, TURBO	1	1						
22	2	129403-18800	HOUSING ASSY	1	1						
25	2	129403-18810	CONTROL ASSY	1	1						
30	2	129403-18820	PLATE ASSY, SEAL	1	1						
34	2	129403-18830	OVERHAUL KIT	1	1						
49	2	23080-012000	CLAMP, 12	2	2						
50	1	129477-18100	GASKET	1	1						G
50-1	1	129477-18101	GASKET	1	1						N G
		(A=E12068) (B=E12608)									
51	1	194990-22050	NUT, M8	3	3						
52	1	129418-18320	STUD, M8X20	4	4						
53	1	194990-22050	NUT, M8	4	4						

Remarks  
 (G) THESE PARTS ARE SOLD BY FIG.20,  
 REF.NO.1,1-1.

# Fig.9. CRANKSHAFT & PISTON



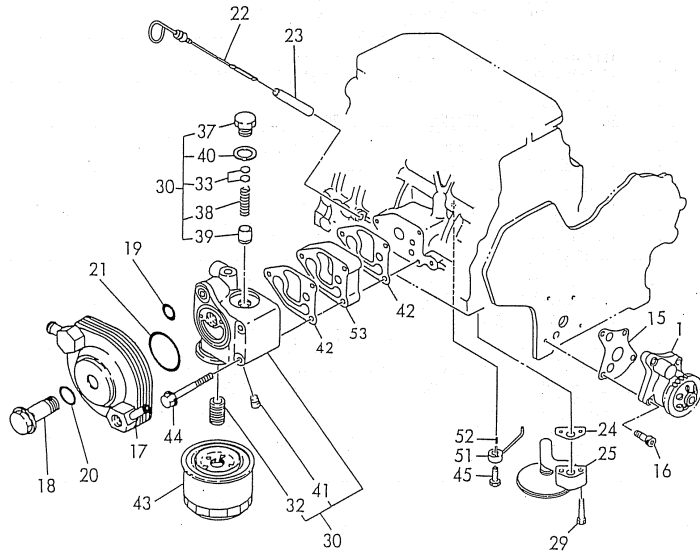
No.	Lev.	Parts No.	Description	Q'ty						I	R
				(A)	(B)	(C)	(D)	(E)	(F)		
1	1	729102-21700	CRANKSHAFT ASSY	1	1						
1A	2	129100-01580	PIN, M8X16	1	1						W
		(A=EXXX) (B=EXXX)									
3	2	129150-21200	GEAR, CRANKSHAFT	1	1						
4	2	22351-040010	PIN, SPRING 4.0X10	1	1						Z
		(A=EXXX) (B=EXXX)									
5	2	22512-070140	KEY, 7X 14	1	1						
7	1	171340-21650	V-PULLEY	1	1						
7-1	1	129116-21650	V-PULLEY	1							N
		(A=EXXX)									
8	1	129795-21661	WASHER	1	1						
9	1	121850-21680	BOLT	1	1						
10	1	121111-21501	BOLT, FLYWHEEL	6	6						
11	1	129128-21590	FLYWHEEL ASSY	1	1						
14	2	119865-21600	GEAR, RING	1	1						
15	1	129100-01580	PIN, M8X16	1	1						Z
		(A=EXXX) (B=EXXX)									
16	1	129105-22090	PISTON ASSY	3	3						
18	2	729105-22500	RING SET, PISTON	3	3						
22	1	129150-22300	PIN, PISTON D26 L66	3	3						
23	1	121100-22400	CIRCLIP	6	6						
24	1	729105-22910	PISTON ASSY, 0.25 OS	3	3						1
26	2	729105-22951	RING SET, 0.25 OS	3	3						1
30	1	729402-23100	ROD ASSY, CONNECTING	3	3						
34	2	121550-23200	BOLT, CONNECTING ROD	6	6						
35	2	129150-23600	BEARING, CRANK PIN	3	3						
37	1	129100-23910	BEARING, PISTON PIN	3	3						2
38	1	129150-23610	BEARING, 0.25 US	3	3						3
40	1	22351-040010	PIN, SPRING 4.0X10	1	1						W
		(A=EXXX) (B=EXXX)									
41	1	129105-22920	PISTON ASSY, 0.50 OS	3	3						W 4
		(A=EXXX) (B=EXXX)									
43	2	129105-22970	RING SET, 0.50 OS	3	3						W 4
		(A=EXXX) (B=EXXX)									

Remarks

- (1) OVER-SIZE(O.S=0.25)PART.
- (2) REPAIR PART.
- (3) UNDER-SIZE(U.S=0.25)PART.
- (4) OVER-SIZE(O.S=0.50)PART.

Fig.10. LUB. OIL SYSTEM

D29553-32100  
 D29122-33102  
 D29403-34100  
 D29100-35100  
 D29139-35200  
 D29553-39300



(A)=3TN84TL-RTBY  
 (B)=3TN84TL-RTBZ  
 (C)=

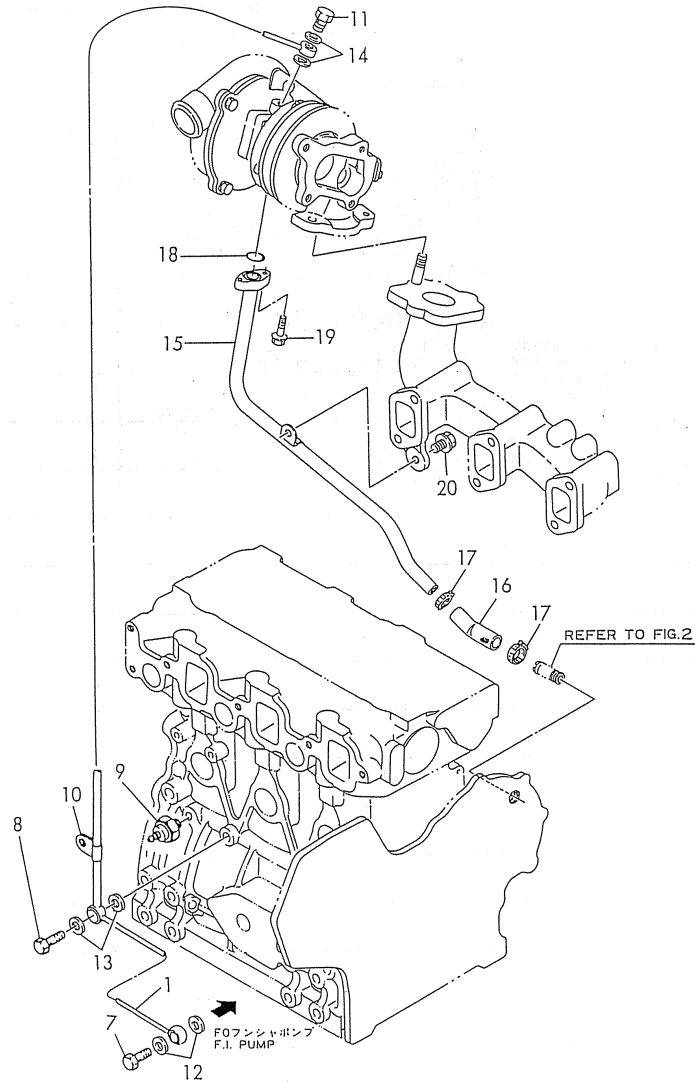
(D)=  
 (E)=  
 (F)=

No.	Lev.	Parts No.	Description	Q'ty						I	R
				(A)	(B)	(C)	(D)	(E)	(F)		
1	1	129553-32000	PUMP ASSY, OIL	1	1						
1-1	1	129418-32000	PUMP ASSY, OIL	1	1						S
		(A=E13960) (B=E14025)									
15	1	129150-32020	GASKET, PUMP	1	1						G
16	1	26450-060252	BOLT, M6X 25	4	4						
17	1	129103-33031	COOLER, OIL	1	1						
18	1	129103-33132	BOLT	1	1						
19	1	24311-000200	O-RING, 1AP20.0	1	1						
20	1	24311-000210	O-RING, 1AP21.0	1	1						
21	1	24321-000550	O-RING, 1AG55.0	1	1						
22	1	129403-34800	DIPSTICK, OIL	1	1						
23	1	121520-34810	GUIDE, DIPSTICK	1	1						
24	1	129150-35041	GASKET	1	1						G
25	1	129150-35091	PIPE ASSY, OIL INLET	1	1						
29	1	26106-080352	BOLT, M8X 35 PLATED	2	2						
30	1	129103-35101	BRACKET ASSY, FILTER	1	1						
30-1	1	129418-35100	BRACKET ASSY	1	1						S
		(A=E13960) (B=E14025)									
32	2	129100-35140	STUD	1	1						
33	2	121850-35200	SHIM SET	1	1						Z
		(A=E13960) (B=E14025)									
37	2	124223-35510	RETAINER, SPRING	1	1						
37-1	2	27241-200000	PLUG, 20	1	1						S
		(A=E13960) (B=E14025)									
38	2	121850-35520	SPRING	1	1						Z
		(A=E13960) (B=E14025)									
39	2	121850-35531	VALVE, CONTROL	1	1						Z
		(A=E13960) (B=E14025)									
40	2	23414-180000	GASKET, 18X1.0	1	1						Z
		(A=E13960) (B=E14025)									
41	2	23871-020000	PLUG, R02	1	1						
42	1	129103-35122	GASKET	2	2						G
43	1	129150-35150	FILTER 90X80L	1	1						
44	1	26106-080952	BOLT, M8X 95 PLATED	3	3						
45	1	129792-39410	VALVE ASSY, CHECK	3	3						
51	1	129553-39650	NOZZLE	3	3						
52	1	22351-030010	PIN, SPRING 3.0X10	3	3						
53	1	129139-35160	SPACER	1	1						

Remarks  
 (G) THESE PARTS ARE SOLD BY FIG.20,  
 REF.NO.1,1-1.

Fig.11. LUB. OIL PIPES

D29139-39110  
 D29139-39200  
 D19600-39100



(A)=3TN84TL-RTBY  
 (B)=3TN84TL-RTBZ  
 (C)=

(D)=  
 (E)=  
 (F)=

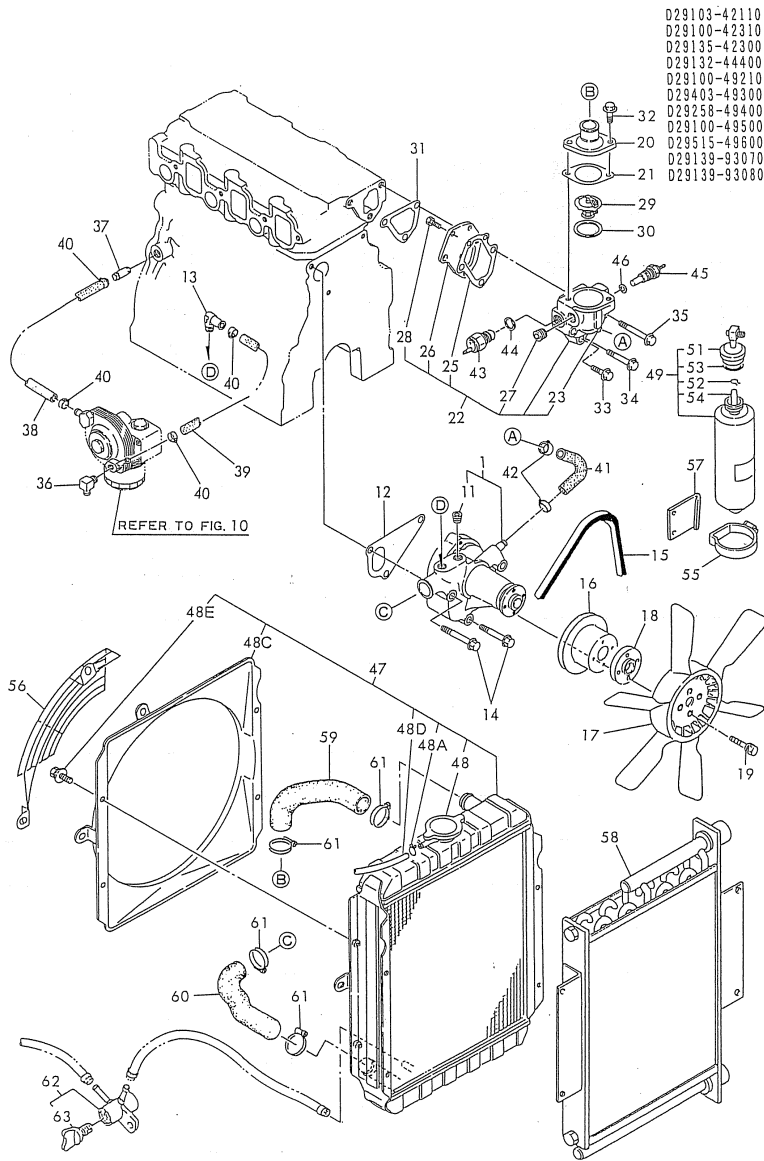
No.	Lev.	Parts No.	Description	Q'ty						I	R
				(A)	(B)	(C)	(D)	(E)	(F)		
1	1	129139-39030	PIPE ASSY, OIL	1	1						
7	1	105010-39140	BOLT, PIPE JOINT	1	1						
8	1	124160-39140	BOLT, PIPE JOINT M10	1	1						
9	1	124160-39450	SWITCH, 0.5KG	1	1						
10	1	124223-39900	RETAINER	1	1						
11	1	124550-59820	BOLT, PIPE JOINT M8	1	1						
12	1	23414-080000	GASKET, 8X1.0	2	2						
13	1	23414-100000	GASKET, 10X1.0	2	2						
14	1	43400-500410	SEAL WASHER 8S	2	2						
14-1	1	22190-080002	WASHER, SEAL 6	2	2						N
		(A=E12108) (B=E12608)									
15	1	129139-39601	PIPE, OIL	1	1						
16	1	129403-39610	JOINT, RUBBER	1	1						
17	1	23000-022000	CLAMP, 22	2	2						
18	1	24314-000160	O-RING, 4CP16.0	1	1						
19	1	26106-060162	BOLT, M6X 16 PLATED	2	2						
20	1	26106-080122	BOLT, M8X 12 PLATED	1	1						



Fig.12. COOLING WATER SYSTEM

(A)=3TN84TL-RTBY  
(B)=3TN84TL-RTBZ  
(C)=

(D)=  
(E)=  
(F)=



No.	Lev.	Parts No.	Description	Q'ty						I	R
				(A)	(B)	(C)	(D)	(E)	(F)		
1	1	129100-42002	PUMP ASSY, WATER	1	1						
11	2	23871-030000	PLUG, R03	1	1						
12	1	129100-42020	GASKET, WATER PUMP	1	1						G
13	1	129103-49301	ELBOW, PT1/4	1	1						
14	1	26106-080602	BOLT, M8X 60 PLATED	3	3						
15	1	121492-42290	V-BELT, A38	1	1						
16	1	129556-42350	V-PULLEY, 96	1	1						
17	1	121520-44740	FAN, COOLING D325	1	1						
18	1	124574-44761	SPACER, FAN	1	1						
19	1	26014-060302	BOLT, M6X 30	4	4						
20	1	129350-49530	COVER, THERMOSTAT	1	1						
21	1	129795-49551	GASKET	1	1						G
22	1	129100-49800	CASE ASSY,THERMOSTAT	1	1						
23	2	124770-11770	JOINT, PIPE PT1/8	1	1						
25	2	129100-49820	GASKET	1	1						
26	2	129100-49830	COVER, THERMOSTAT	1	1						
27	2	23871-030000	PLUG, R03	1	1						
28	2	26116-060162	BOLT, M6X 16 PLATED	2	2						
29	1	129155-49800	THERMOSTAT, 71	1	1						
30	1	129150-49811	GASKET, THERMOSTAT	1	1						G
31	1	129100-49840	GASKET	1	1						G
32	1	26106-080202	BOLT, M8X 20 PLATED	2	2						
33	1	26106-080252	BOLT, M8X 25 PLATED	1	1						
34	1	26106-080502	BOLT, M8X 50 PLATED	1	1						
35	1	26106-080602	BOLT, M8X 60 PLATED	1	1						
36	1	121750-49110	JOINT	1	1						
37	1	129122-44480	JOINT	1	1						
38	1	129403-49031	PIPE, WATER	1	1						
39	1	129258-49040	PIPE, WATER	1	1						
40	1	23000-022000	CLAMP, 22	4	4						
41	1	129100-49050	PIPE, WATER	1	1						
42	1	23000-016000	CLAMP, 16	2	2						
43	1	121250-44901	SWITCH, 110	1	1						
44	1	124465-44950	GASKET, 16	1	1						G
45	1	171056-49351	SENSOR	1	1						
46	1	129150-49360	GASKET	1	1						G
47	1	129132-44500	RADIATOR	1	1						
48	2	123682-44210	CAP, RADIATOR	1	1						
48A	2	121250-44590	CLAMP	2	2						W
48C	2	129132-44520	SHROUD	1	1						W
48D	2	129132-44530	HOSE, RUBBER	1	1						W
48E	2	26014-080162	BOLT, M8X 16	4	4						W
49	1	171064-44510	TANK ASSY, SUB	1	1						
51	2	121450-44531	CAP	1	1						
52	2	124450-44560	RETAINER	1	1						
53	2	121470-44581	GASKET	1	1						
54	2	23065-070225	HOSE 7X 225	1	1						

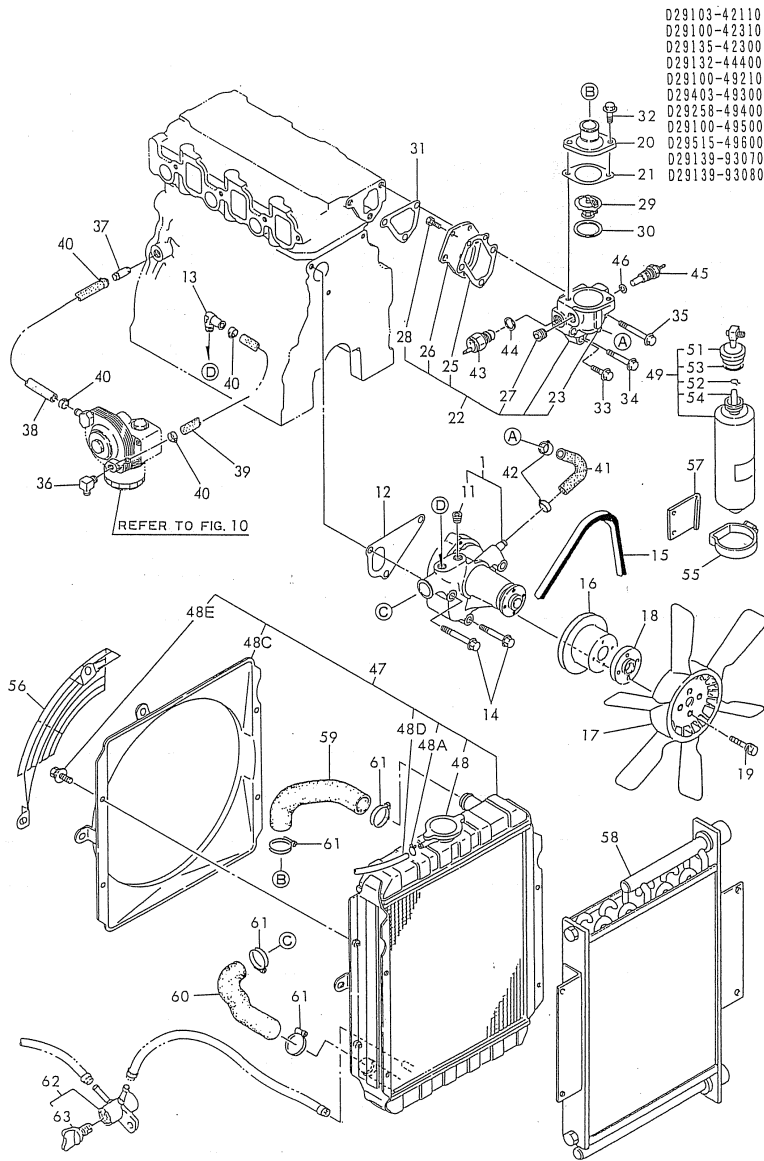
Remarks  
(G) THESE PARTS ARE SOLD BY FIG.20,  
REF.NO.1,1-1.

Fig.12. COOLING WATER SYSTEM

(A)=3TN84TL-RTBY  
 (B)=3TN84TL-RTBZ  
 (C)=

(D)=  
 (E)=  
 (F)=

No.	Lev.	Parts No.	Description	Q'ty						I	R
				(A)	(B)	(C)	(D)	(E)	(F)		
55	1	124450-44550	BAND	1	1						
56	1	129132-44590	NET, WIRE	1	1						
57	1	121256-44600	BRACKET, SUB TANK	1	1						
58	1	129132-44900	COOLER, OIL	1	1						
58-1	1	129132-44901	COOLER ASSY, OIL	1	1						N
		(A=E07074) (B=E06861)									
59	1	119860-49010	PIPE, WATER	1	1						
60	1	119860-49020	PIPE, WATER	1	1						
61	1	23010-038000	CLAMP, 38	4	4						
62	1	129150-49100	COCK ASSY, 3-WAY	1	1						W
		(A=E06571) (B=E06627)									
63	2	129150-49080	COCK, DRAIN	1	1						W
		(A=E06571) (B=E06627)									



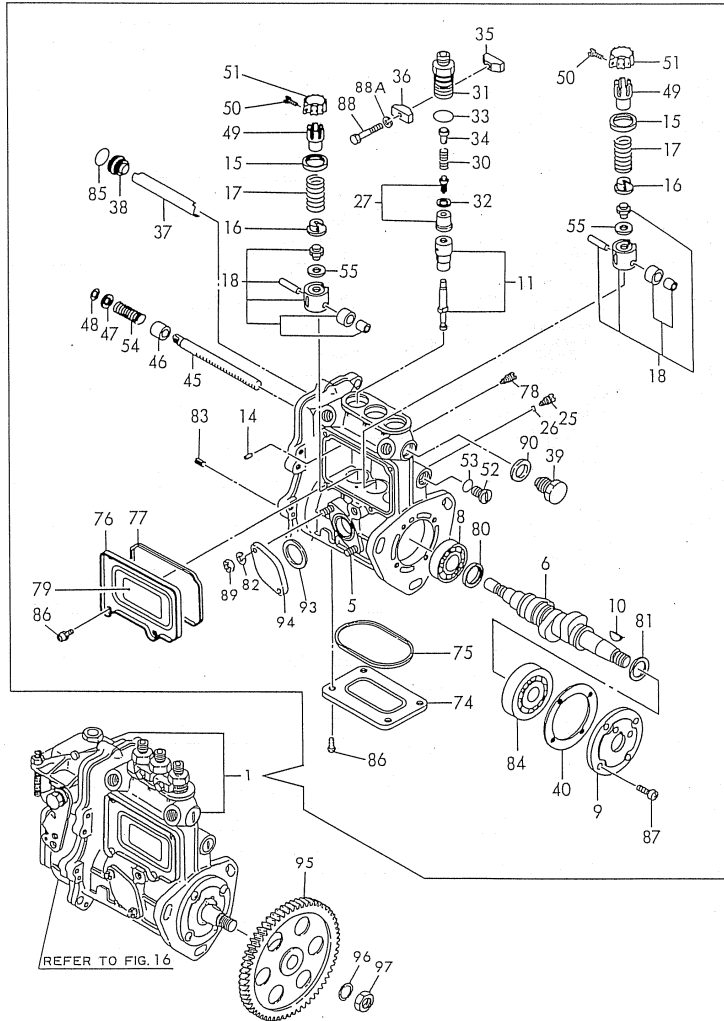
Remarks  
 (G) THESE PARTS ARE SOLD BY FIG.20,  
 REF.NO.1,1-1.

Fig.13. FUEL INJECTION PUMP

(A)=3TN84TL-RTBY  
(B)=3TN84TL-RTBZ  
(C)=

(D)=  
(E)=  
(F)=

029150-25200  
729139-51391



No.	Lev.	Parts No.	Description	Q'ty						I	R
				(A)	(B)	(C)	(D)	(E)	(F)		
1	1	729139-51391	PUMP ASSY, INJECTION	1	1						1
5	2	129155-51020	STUD	2	2						
6	2	119810-51040	CAMSHAFT	1	1						
8	2	129155-51050	BEARING, 17BM001D	1	1						
9	2	129155-51060	SUPPORT, CAMSHAFT	1	1						
10	2	122710-51090	KEY	1	1						
11	2	129470-51101	PLUNGER ASSY	3	3						
14	2	129155-51140	PIN	3	3						
15	2	174307-51170	RETAINER, SPRING A	3	3						
16	2	129155-51180	RETAINER, SPRING	3	3						
17	2	124950-51190	SPRING, PLUNGER	3	3						
18	2	129155-51200	TAPPET ASSY	3	3						
25	2	129155-51270	STOPPER, TAPPET	3	3						
26	2	129155-51280	O-RING, S6	3	3						
27	2	129100-51300	VALVE ASSY, DELIVERY	3	3						
30	2	129155-51320	SPRING, DELIVERY	3	3						
31	2	129155-51340	RETAINER	3	3						
32	2	124550-51350	GASKET, DELIVERY	3	3						
33	2	124550-51370	O-RING	3	3						
34	2	129155-51370	STOPPER, VALVE	3	3						
35	2	129155-51380	STOPPER	2	2						
36	2	129155-51390	STOPPER	2	2						
37	2	129155-51400	DEFLECTOR	1	1						
38	2	129155-51410	BOLT	1	1						
39	2	129155-51420	PLUG, M16	1	1						
40	2	129155-51450	SHIM SET, ADJUSTING	1	1						
45	2	129155-51500	RACK, CONTROL	1	1						
46	2	129155-51521	BUSH, RACK	1	1						
47	2	129155-51530	SPACER	1	1						
48	2	129155-51540	CIRCLIP	1	1						
49	2	129155-51550	PINION, CONTROL	3	3						
50	2	122117-51560	SCREW	3	3						
51	2	174307-51560	PINION	3	3						
52	2	129155-51570	PLUG, M12	1	1						
53	2	129155-51580	O-RING	1	1						
54	2	129155-51591	SPRING, RACK	1	1						
55	2	129155-51600	SHIM SET, ADJUSTING	3	3						
74	2	129155-51700	COVER	1	1						
75	2	129155-51710	GASKET	1	1						
76	2	129155-51750	COVER	1	1						
77	2	129155-51760	GASKET	1	1						
78	2	129155-51790	STOOPER, RACK	1	1						
79	2	129156-51910	LABEL, CAUTION	1	1						
80	2	129155-51930	SPACER, T=3.25	1	1						
81	2	129155-51940	SPACER, T=1.5	1	1						
82	2	22217-060000	WASHER, SPRING 6	2	2						
83	2	22351-050010	PIN, SPRING 5.0X10	2	2						
84	2	24101-063034	BEARING, BALL 6303	1	1						
85	2	24341-000160	O-RING, 1AS16.0	1	1						
86	2	26022-050102	SCREW, M5X10	8	8						
87	2	26022-060162	SCREW, M6X16	4	4						

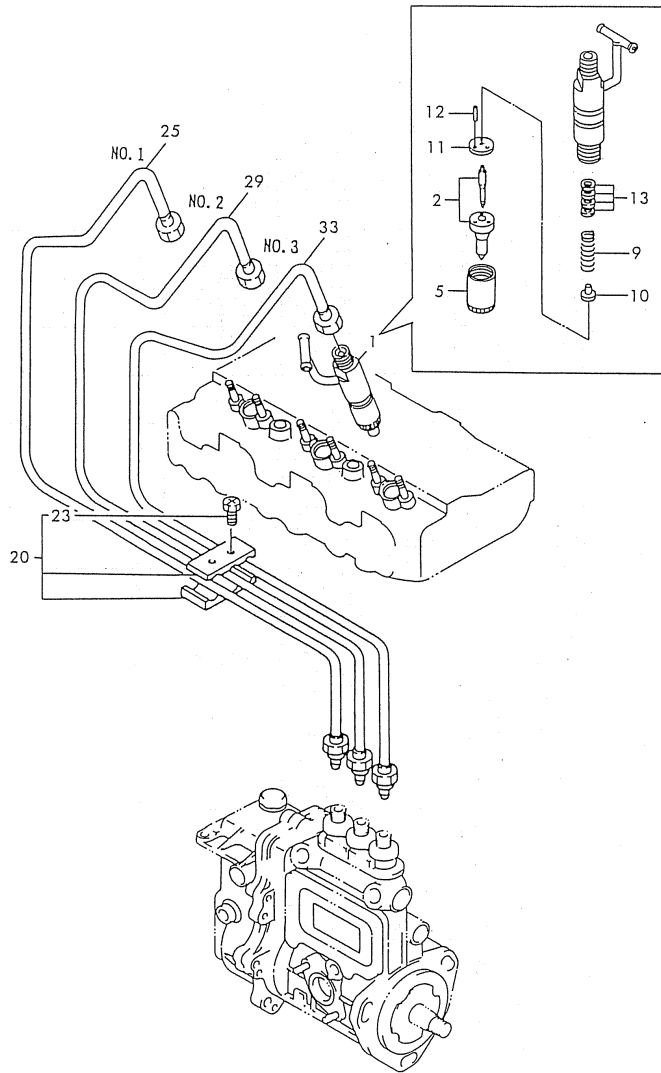
Remarks

(1) GOVERNOR ASSY(FIG.NO.16) IS INCORPORATED IN THIS FUEL INJECTION PUMP ASSY(REF.NO.1).



# Fig.14. FUEL INJECTION SYSTEM

029503-53200  
029100-59110

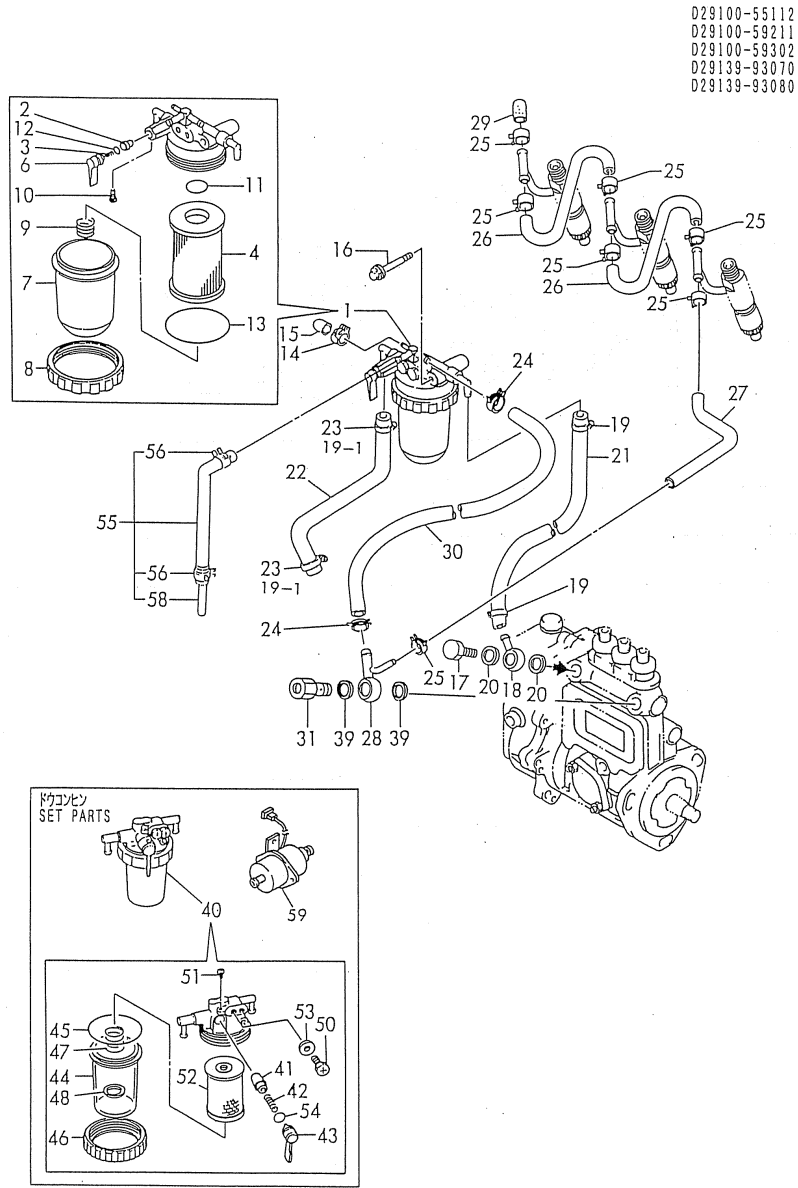


(A)=3TN84TL-RTBY  
(B)=3TN84TL-RTBZ  
(C)=

(D)=  
(E)=  
(F)=

No.	Lev.	Parts No.	Description	Q'ty						I	R
				(A)	(B)	(C)	(D)	(E)	(F)		
1	1	729137-53200	VALVE ASSY,INJECTION	3	3						
2	2	129503-53050	VALVE ASSY,INJECTION	3	3						
5	2	114250-53080	NUT, NOZZLE D16.95	3	3						
9	2	114250-53120	SPRING, NOZZLE	3	3						
10	2	114250-53130	SEAT, SPRING	3	3						
11	2	114250-53140	PLATE	3	3						
12	2	114250-53210	PIN	6	6						
13	2	114250-53400	SHIM SET	3	3						
20	1	129150-59120	RETAINER, PIPE	1	1						
23	2	129150-59130	BOLT, M4X12	2	2						
23-1	2	129150-59131	BOLT, M4X14	2	2						N
		(A=E12697) (B=E12613)									
25	1	129100-59910	PIPE ASSY, INJECTION	1	1						
29	1	129100-59920	PIPE ASSY, INJECTION	1	1						
33	1	129100-59930	PIPE ASSY, INJECTION	1	1						

Fig.15. FUEL OIL PIPES

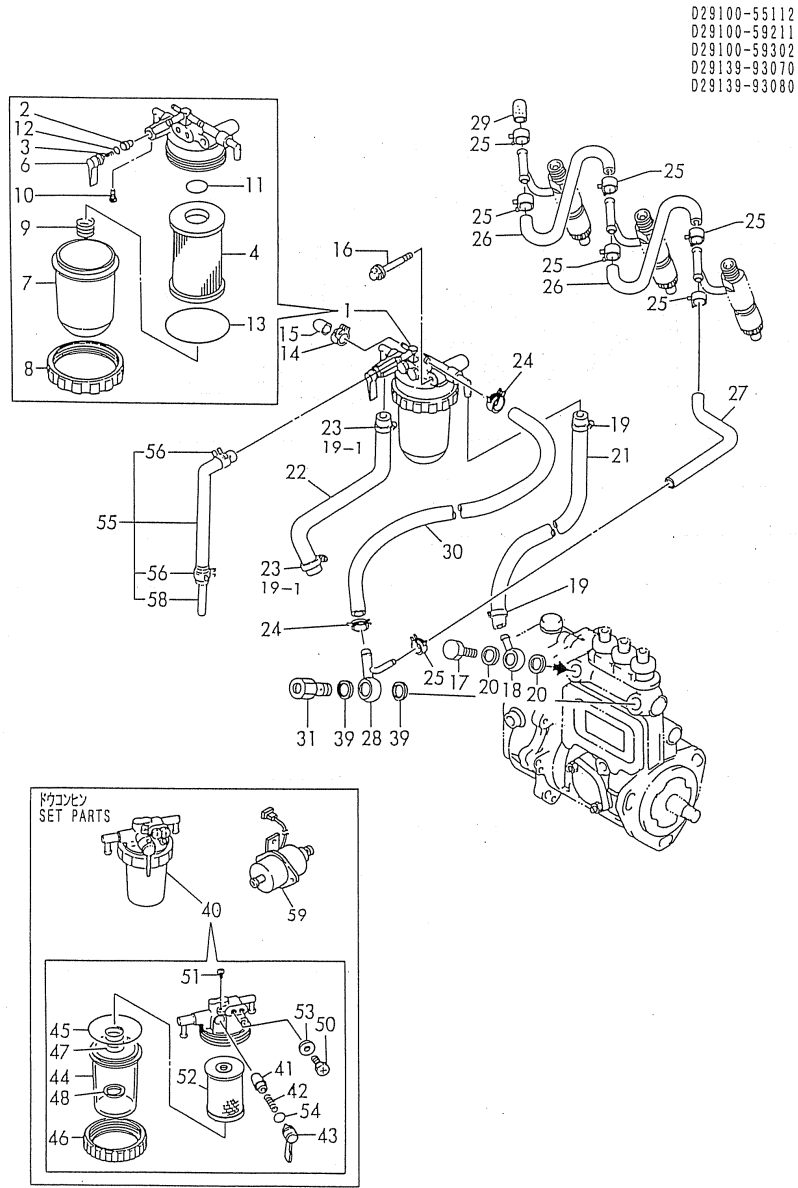


(A)=3TN84TL-RTBY  
(B)=3TN84TL-RTBZ  
(C)=  
(D)=  
(E)=  
(F)=

No.	Lev.	Parts No.	Description	Q'ty						I	R
				(A)	(B)	(C)	(D)	(E)	(F)		
1	1	129100-55621	FILTER ASSY, FUEL	1	1						
2	2	104200-55321	VALVE, TAPER	1	1						
3	2	104200-55330	SPRING, VALVE	1	1						
4	2	129100-55650	ELEMENT	1	1						
6	2	129100-55670	LEVER	1	1						
7	2	129100-55680	CUP, STRAINER	1	1						
8	2	129100-55690	RING, RETAINING	1	1						
9	2	129100-55700	SPRING	1	1						
10	2	104200-55750	SCREW, M4	1	1						
11	2	24311-000160	O-RING, 1AP16.0	1	1						
12	2	24311-240100	O-RING, 1AP10A	1	1						
13	2	24321-000650	O-RING, 1AG65.0	1	1						
14	1	124066-59100	CLIP, HOSE 8	1	1						
15	1	129150-59580	CAP	1	1						
16	1	26014-080702	BOLT, M8X 70	1	1						
17	1	103854-39140	BOLT, PIPE JOINT	1	1						
18	1	101304-59020	JOINT, PIPE 12	1	1						
19	1	124766-59050	CLIP, HOSE 12	2	2						
19-1	1	124766-59050	CLIP, HOSE 12	4	4						K
		(A=E07858) (B=E07885)									
20	1	104200-59170	GASKET, 12	2	2						
21	1	129555-59510	PIPE, D13/7.5X180	1	1						
22	1	129255-59580	PIPE, FUEL	1	1						
22-1	1	105025-59530	PIPE, FUEL D13X400	1	1						N
		(A=E07388) (B=E07390)									
23	1	23000-013000	CLAMP, 13	2	2						Z
		(A=E07858) (B=E07885)									
24	1	124766-59050	CLIP, HOSE 12	2	2						
25	1	124066-59100	CLIP, HOSE 8	7	7						
26	1	121250-59550	PIPE, FUEL D8X120	2	2						
27	1	119840-59560	PIPE, FUEL RETURN	1	1						
28	1	119840-59570	JOINT	1	1						
29	1	129150-59580	CAP	1	1						
30	1	129255-59580	PIPE, FUEL	1	1						
30-1	1	105025-59750	PIPE, FUEL	1	1						R
		(A=E07388) (B=E07390)									
30-2	1	129255-59580	PIPE, FUEL	1	1						R
		(A=E12697) (B=E12613)									
31	1	129100-59951	VALVE ASSY, CHECK	1	1						
39	1	23414-120000	GASKET, 12X1.0	2	2						
40	1	129335-55700	SEPARATOR ASSY, WATER	1	1						
41	2	104200-55321	VALVE, TAPER	1	1						
42	2	104200-55330	SPRING, VALVE	1	1						
43	2	104200-55341	HANDLE	1	1						
44	2	124064-55510	COVER	1	1						
45	2	102103-55520	O-RING	1	1						
46	2	110250-55610	RING, RETAINING	1	1						
47	2	121257-55720	SPRING	1	1						
48	2	121257-55731	FLOAT	1	1						
50	2	101720-55750	PLUG, 6	2	2						
51	2	104200-55750	SCREW, M4	1	1						

N:Old  $\xrightarrow{\text{Yes}}$  New, Q:Old  $\xrightarrow{\text{No}}$  New, R:Old  $\xrightarrow{\text{Yes}}$  New, S:Old  $\xrightarrow{\text{No}}$  New, W:Add, Z:Discontinued, F:Interchangeable by set, K:Q'ty Change  
 ++ CONTINUE ++  
 Copyright (C) YANMAR CO., LTD. All Rights Reserved.

Fig.15. FUEL OIL PIPES



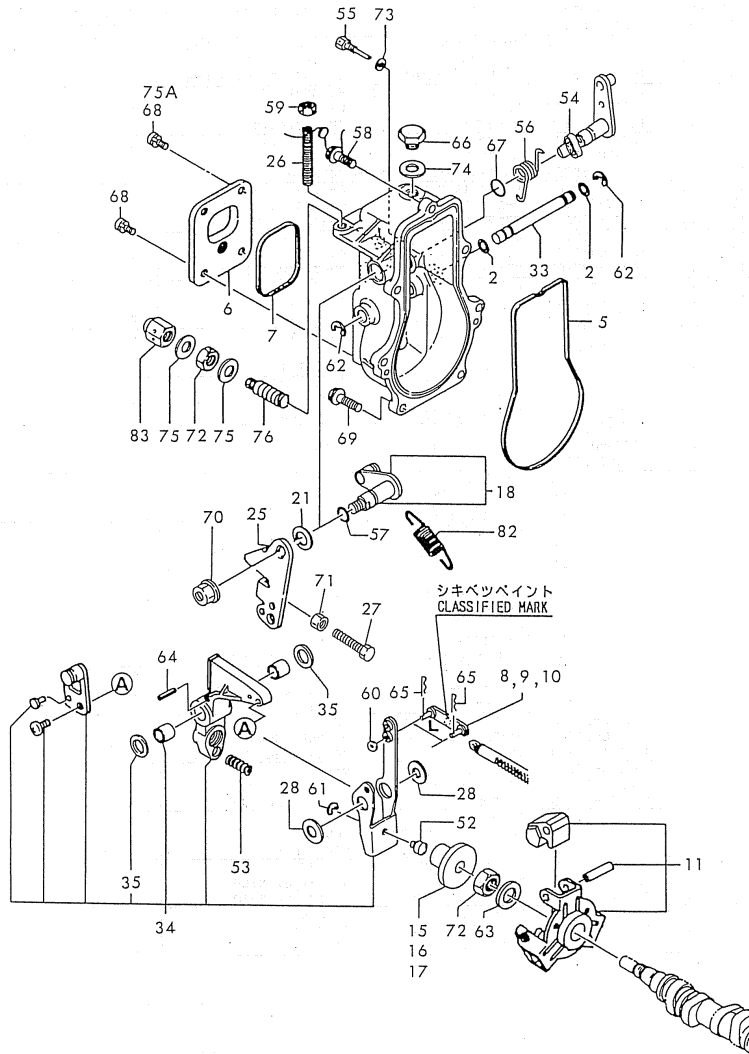
(A)=3TN84TL-RTBY  
(B)=3TN84TL-RTBZ  
(C)=

(D)=  
(E)=  
(F)=

No.	Lev.	Parts No.	Description	Q'ty						I	R
				(A)	(B)	(C)	(D)	(E)	(F)		
52	2	171081-55910	SCREEN	1	1						
53	2	23418-060000	GASKET, 6X1.0	2	2						
54	2	24311-240100	O-RING, 1AP10A	1	1						
55	1	119840-59601	BEND	1	1						
56	2	124766-59050	CLIP, HOSE 12	2	2						
58	2	119840-59621	JOINT	1	1						
59	1	129322-77401	PUMP ASSY, FUEL FEED	1	1						

Fig.16. GOVERNOR

729139-51391

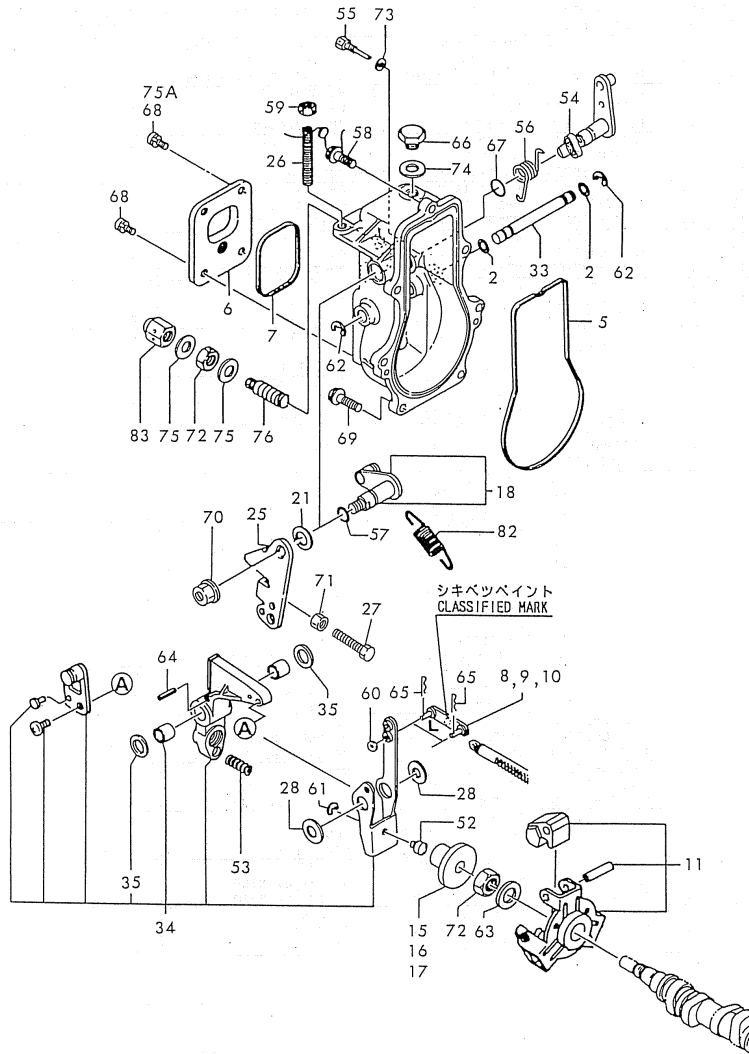


No.	Lev.	Parts No.	Description	Q'ty						I	R
				(A)	(B)	(C)	(D)	(E)	(F)		
2	2	129155-51280	O-RING, S6	2	2						
5	2	129155-61050	GASKET	1	1						
6	2	129155-61060	COVER, GOVERNOR CASE	1	1						
7	2	129155-61070	GASKET	1	1						
8	2	129155-61120	LINK, L=30 MARK 0	1	1						
9	2	129155-61130	LINK, L=31 MARK 1	1	1						
10	2	129155-61140	LINK, L=30.5 MARK 05	1	1						
11	2	129155-61201	WEIGHT ASSY,GOVERNOR	1	1						
15	2	129155-61341	SLEEVE	1	1						
16	2	129155-61350	SLEEVE, L=24.9	1	1						
17	2	129155-61360	SLEEVE, L=25.2	1	1						
18	2	129100-61400	SHAFT ASSY	1	1						
21	2	129155-61430	SPACER	1	1						
25	2	129100-61440	LEVER, CONTROL	1	1						
26	2	129155-61450	BOLT, LIMITER	1	1						
27	2	129155-61460	BOLT, IDLE	1	1						
28	2	129155-61480	SPACER ASSY	2	2						
33	2	129155-61490	SHAFT	1	1						
34	2	129500-61500	LEVER ASSY, GOVERNOR	1	1						
34-1	2	129500-61501	LEVER ASSY, GOVERNOR	1	1						N
		(A=E09575) (B=E09613)									
35	3	174307-51700	SHIM SET	2	2						
52	2	129155-61540	SHIFTER	1	1						
53	2	129100-61650	SPRING, CONTROLLER	1	1						
54	2	129255-61802	LEVER, STOP	1	1						
55	2	129155-61810	PIN	1	1						
56	2	129100-61821	SPRING, RETURN	1	1						
57	2	129155-61830	O-RING, S10	1	1						
58	2	129155-61950	BOLT	1	1						
59	2	124550-66370	NUT, M6	1	1						
60	2	22117-04000	WASHER, 4	1	1						
61	2	22272-000040	RING, E- 4	1	1						
62	2	22272-000060	RING, E- 6	2	2						
63	2	22287-120000	WASHER, 12	1	1						
64	2	22351-030016	PIN, SPRING 3.0X16	1	1						
65	2	22360-040000	PIN, SNAP 4	2	2						
65-1	2	22372-040000	PIN, SNAP 4	2	2						R
		(A=E07858) (B=E07885)									
66	2	23887-100002	PLUG, 10	1	1						
67	2	24311-240100	O-RING, 1AP10A	1	1						
68	2	26022-050102	SCREW, M5X10	4	4						
68-1	2	26022-050102	SCREW, M5X10	2	2						K
		(A=E09575) (B=E09613)									
69	2	26106-060202	BOLT, M6X 20 PLATED	6	6						
70	2	26366-080002	NUT, M8	1	1						
71	2	26756-060002	NUT, LOCK M6	1	1						
72	2	26776-120002	NUT, LOCK M12	2	2						
73	2	43400-500390	SEAL WASHER 6S	1	1						
73-1	2	22190-060002	WASHER, SEAL 6	1	1						N
		(A=E12164) (B=E12608)									
74	2	43400-500430	SEAL WASHER 10S	1	1						



Fig.16. GOVERNOR

729139-51391



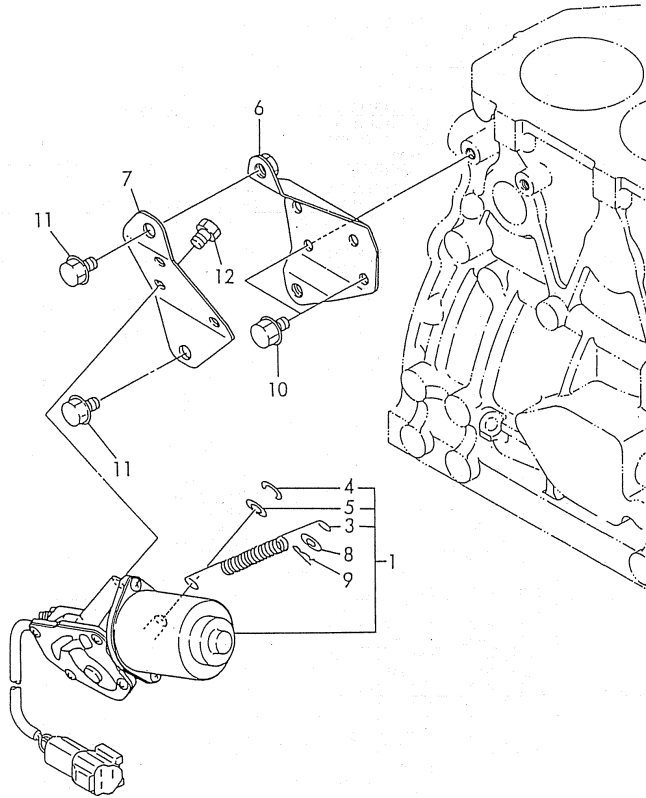
(A)=3TN84TL-RTBY  
(B)=3TN84TL-RTBZ  
(C)=

(D)=  
(E)=  
(F)=

No.	Lev.	Parts No.	Description	Q'ty						I	R
				(A)	(B)	(C)	(D)	(E)	(F)		
74-1	2	22190-100002 (A=E12164)	WASHER, SEAL 10 (B=E12608)	1	1						N
75	2	43400-500450	SEAL WASHER 12S	2	2						
75-1	2	22190-120002 (A=E12164)	WASHER, SEAL 12 (B=E12608)	2	2						N
75A	2	26023-050102 (A=E09575)	SCREW, M5X10 (B=E09613)	2	2						W
76	1	129428-61450	LIMITER ASSY, FUEL	1	1						
82	1	129489-61700	SPRING, GOVERNOR	1	1						
83	1	26687-120002	NUT, CAP M12	1	1						

Fig.17. ENGINE STOPING DEVICE

D29137-66500



(A)=3TN84TL-RTBY  
(B)=3TN84TL-RTBZ  
(C)=

(D)=  
(E)=  
(F)=

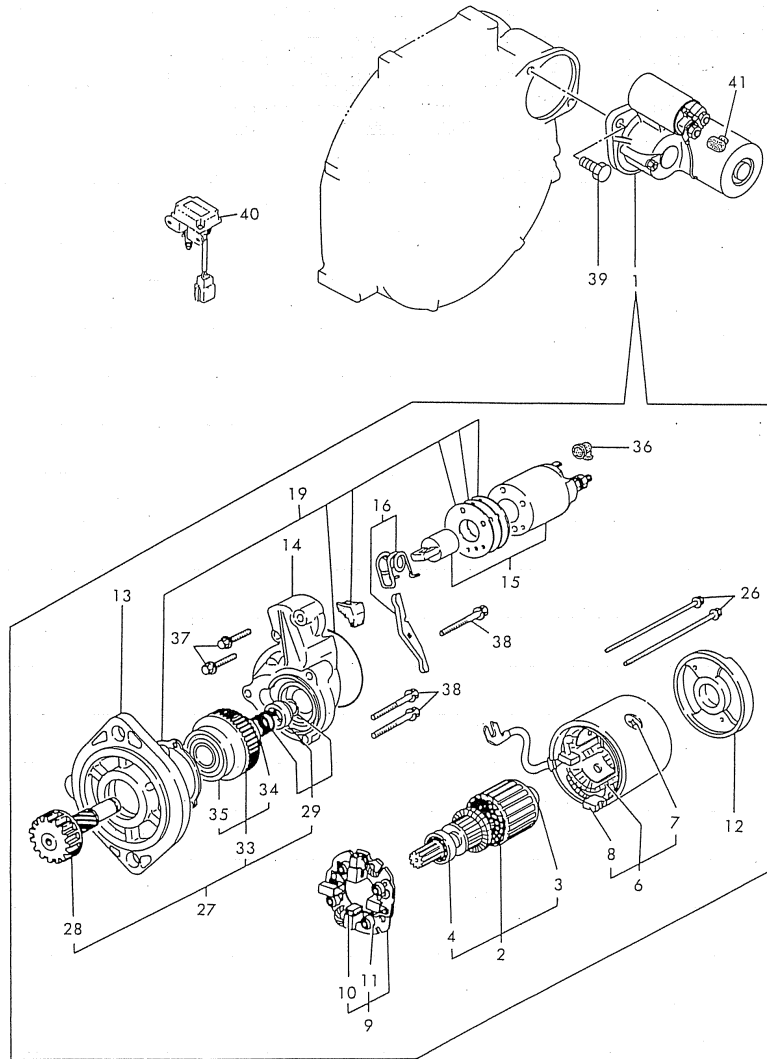
No.	Lev.	Parts No.	Description	Q'ty						I	R
				(A)	(B)	(C)	(D)	(E)	(F)		
1	1	129136-66800	MOTOR ASSY, STOP	1	1						
3	2	129107-66830	SPRING, STOP MOTOR	1	1						
4	2	129566-66880	RING, SNAP	1	1						
5	2	129566-66890	WASHER	1	1						
6	1	129107-66810	BRACKET, STOP MOTOR	1	1						
7	1	129107-66820	BRACKET, STOP MOTOR	1	1						
8	1	22117-080000	WASHER, 8	1	1						
9	1	22360-080000	SNAP PIN 8	1	1						
10	1	26106-080122	BOLT, M8X 12 PLATED	2	2						
11	1	26106-080122	BOLT, M8X 12 PLATED	2	2						
12	1	26116-050102	BOLT, M5X 10 PLATED	3	3						

Fig.18. STARTING MOTOR

(A)=3TN84TL-RTBY  
 (B)=3TN84TL-RTBZ  
 (C)=

(D)=  
 (E)=  
 (F)=

029100-77100  
 029139-93070  
 029139-93080



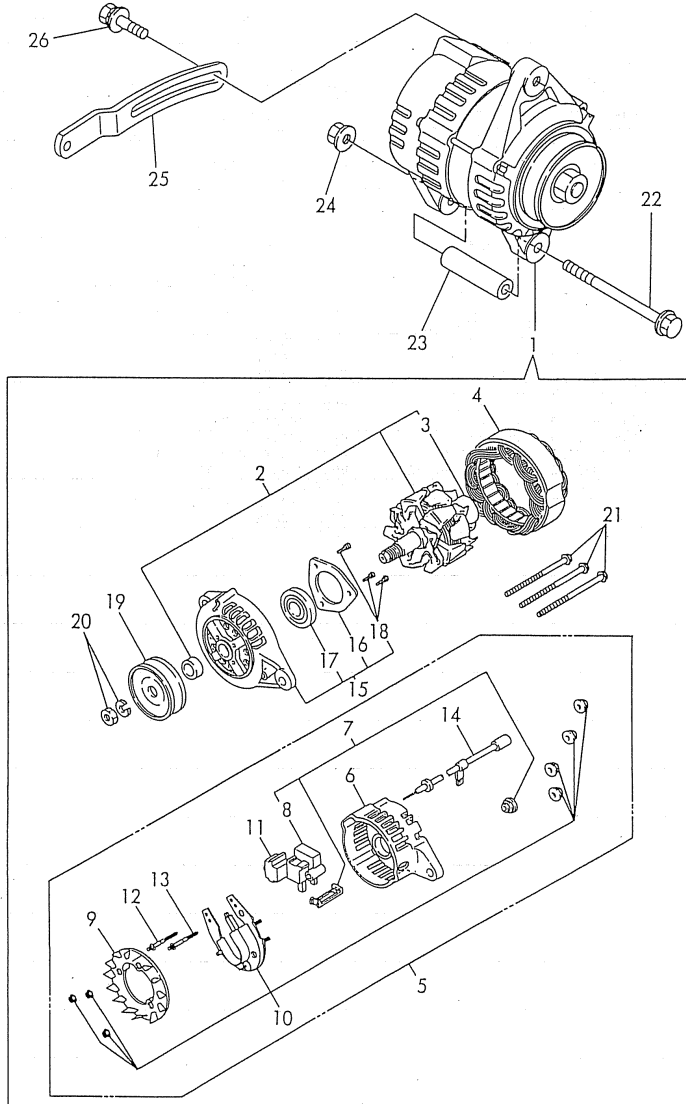
No.	Lev.	Parts No.	Description	Qty						I	R
				(A)	(B)	(C)	(D)	(E)	(F)		
1	1	171008-77010	STARTER, S114-483	1	1						
2	2	171008-77400	ARMATURE ASSY	1	1						
3	3	171008-77410	BEARING	1	1						
4	3	171008-77420	BEARING	1	1						
6	2	171008-77440	COIL ASSY, FIELD	1	1						
7	3	171008-77450	SCREW	4	4						
8	3	171008-77460	BRUSH (+)	2	2						
9	2	171008-77470	HOLDER ASSY, BRUSH	1	1						
10	3	171008-77480	BRUSH (-)	2	2						
11	3	171008-77490	SPRING, BRUSH	4	4						
12	2	171008-77500	COVER, REAR	1	1						
13	2	171008-77510	CASE, GEAR	1	1						
14	2	171008-77520	HOUSING, CENTER	1	1						
15	2	171008-77530	SWITCH, MAGNETIC	1	1						
16	2	171008-77540	LEVER SET	1	1						
19	2	171008-77570	COVER KIT, DUST	1	1						
19-1	2	171008-77571	COVER KIT, DUST	1	1						N
(A=E07218) (B=E07266)											
26	2	171008-77640	BOLT, THROUGH	2	2						
27	2	171008-77650	PINION ASSY	1	1						
28	3	171008-77660	SHAFT	1	1						
29	3	171008-77670	STOPPER SET	1	1						
33	3	171008-77720	CLUTCH ASSY	1	1						
34	4	171008-77730	BEARING, BALL	1	1						
35	4	171008-77740	BEARING	1	1						
36	2	171008-77750	COVER	1	1						
37	2	26106-060322	BOLT, M6X 32 PLATED	2	2						
38	2	26106-060402	BOLT, M6X 40 PLATED	3	3						
39	1	26116-120252	BOLT, M12X 25 PLATED	2	2						
40	1	129136-77100	RELAY, SAFETY	1	1						
41	1	124550-77030	COVER, TERMINAL	1	1						

Fig.19. GENERATOR

(A)=3TN84TL-RTBY  
 (B)=3TN84TL-RTBZ  
 (C)=

(D)=  
 (E)=  
 (F)=

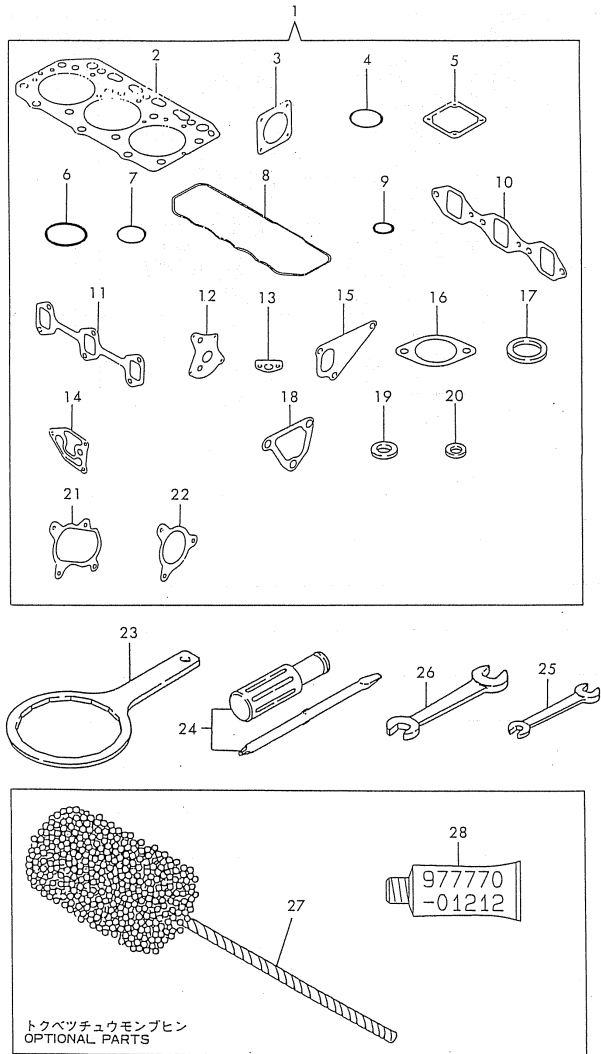
019836-77200  
 029410-77300



No.	Lev.	Parts No.	Description	Q'ty						I	R
				(A)	(B)	(C)	(D)	(E)	(F)		
1	1	119836-77200	GENERATOR	1	1						
2	2	119836-77700	ROTOR ASSY	1	1						
3	3	119836-77850	BALL BEARING	1	1						
4	2	119836-77710	STATOR ASSY	1	1						
5	2	119836-77721	COVER ASSY, REAR	1	1						
6	3	119836-77730	COVER, REAR	1	1						
7	3	119836-77741	BRUSH ASSY,REGULATOR	1	1						
8	4	119836-77750	BRUSH ASSY	1	1						
9	3	119836-77760	GUIDE, FAN SIDE	1	1						
10	3	119836-77770	DIODE ASSY	1	1						
11	3	119836-77780	CONDENSER	1	1						
12	3	119836-77871	BOLT (1)	1	1						
13	3	119836-77880	BOLT (2)	1	1						
14	3	119836-77890	WIRE ASSY, LEAD	1	1						
15	2	119836-77790	COVER ASSY, FRONT	1	1						
16	3	119836-77800	RETAINER, BEARING	1	1						
17	3	119836-77840	BALL BEARING	1	1						
18	3	119836-77860	SCREW KID	1	1						
19	2	119836-77810	PULLEY	1	1						
20	2	119836-77820	NUT ASSY, PULLEY	1	1						
21	2	119836-77830	BOLT, THROUGH	1	1						
22	1	129136-77250	BOLT M 8X105	1	1						
23	1	119820-77340	PIECE, DISTANCE	1	1						
24	1	26366-080002	NUT, M8	1	1						
25	1	129410-77330	ADJUSTER	1	1						
26	1	26014-080252	BOLT, M8X 25	1	1						

Fig.20. GASKET SET & TOOLS

029139-93070  
029139-93080



(A)=3TN84TL-RTBY  
(B)=3TN84TL-RTBZ  
(C)=

(D)=  
(E)=  
(F)=

No.	Lev.	Parts No.	Description	Q'ty						I	R
				(A)	(B)	(C)	(D)	(E)	(F)		
1	1	729137-92612	GASKET SET	1	1						1
1-1	1	729137-92613	GASKET SET	1	1						N 1
		(A=E12320) (B=E12608)									
2	2	129157-01332	GASKET, HEAD	1	1						
2-1	2	129157-01333	GASKET, HEAD	1	1						R
		(A=E12320) (B=E12608)									
3	2	124240-01883	GASKET	1	1						
4	2	121850-51960	O-RING	1	1						
5	2	129150-77511	GASKET	1	1						
6	2	24341-000500	O-RING, 1AS50.0	1	1						
7	2	24311-000320	O-RING, 1AP32.0	2	2						
8	2	129150-11310	GASKET, BONNET	1	1						
9	2	24311-000120	O-RING, 1AP12.0	3	3						
10	2	129150-12111	GASKET, MANIFOLD	1	1						
11	2	129150-13110	GASKET	1	1						
12	2	129150-32020	GASKET, PUMP	1	1						
13	2	129150-35041	GASKET	1	1						
14	2	129103-35122	GASKET	1	1						
15	2	129100-42020	GASKET, WATER PUMP	1	1						
16	2	129795-49551	GASKET	1	1						
17	2	129150-49811	GASKET, THERMOSTAT	1	1						
18	2	129100-49840	GASKET	1	1						
19	2	124465-44950	GASKET, 16	1	1						
20	2	129150-49360	GASKET	1	1						
21	2	129403-18090	GASKET	1	1						
21-1	2	129403-18091	GASKET	1	1						N
		(A=E12068) (B=E12608)									
22	2	129477-18100	GASKET	1	1						
22-1	2	129477-18101	GASKET	1	1						N
		(A=E12068) (B=E12608)									
23	1	171301-92750	WRENCH, L.O. FILTER	1	1						
24	1	104200-92350	DRIVER, SCREW	1	1						
25	1	28110-100120	SPANNER, 10X12	1	1						
26	1	28110-140170	SPANNER, 14X17	1	1						
27	1	129400-92420	HONE	1	1						1
28	1	977770-01212	GASKET, LIQUID	1	1						W 1
		(A=E12068) (B=E12608)									

Remarks  
(1) OPTIONAL PART.

## Parts No. Index

Parts No.	Fig. No.	Ref. No.
101304-59020	15	18
101720-55750	15	50
102103-55520	15	45
103338-11190	4	19
103854-39140	15	17
104200-55321	15	2
		41
104200-55330	15	3
		42
104200-55341	15	43
104200-55750	15	10
		51
104200-59170	15	20
104200-92350	20	24
105010-39140	11	7
105025-59530	15	22 -1
105025-59750	15	30 -1
110250-55610	15	46
114250-53080	14	5
114250-53120	14	9
114250-53130	14	10
114250-53140	14	11
114250-53210	14	12
114250-53400	14	13
119260-07900	4	41
119620-01750	3	3
119625-11870	4	59
119625-11880	4	60
119625-11900	4	37
119640-01640	3	7 -1
119640-12580	5	22
119810-51040	13	6
119820-77340	19	23
119836-77200	19	1
119836-77700	19	2
119836-77710	19	4
119836-77721	19	5
119836-77730	19	6
119836-77741	19	7
119836-77750	19	8
119836-77760	19	9
119836-77770	19	10
119836-77780	19	11
119836-77790	19	15
119836-77800	19	16
119836-77810	19	19
119836-77820	19	20
119836-77830	19	21
119836-77840	19	17
119836-77850	19	3

Parts No.	Fig. No.	Ref. No.
119836-77860	19	18
119836-77871	19	12
119836-77880	19	13
119836-77890	19	14
119840-59560	15	27
119840-59570	15	28
119840-59601	15	55
119840-59621	15	58
119860-49010	12	59
119860-49020	12	60
119865-21600	9	14
120130-11860	4	43
121023-01550	2	22
121100-22400	9	23
121111-21501	9	10
121120-13580	6	12 A
121120-13590	6	12
121250-44590	12	48 A
121250-44901	12	43
121250-59550	15	26
121256-44600	12	57
121257-55720	15	47
121257-55731	15	48
121400-11340	4	20
121450-01560	2	4
121450-44531	12	51
121470-44581	12	53
121492-42290	12	15
121520-34810	10	23
121520-44740	12	17
121550-23200	9	34
121750-49110	12	36
121850-11860	4	10
121850-21680	9	9
121850-35200	10	33
121850-35520	10	38
121850-35531	10	39
121850-51960	2	11
	20	4
122117-51560	13	50
122710-51090	13	10
123682-44210	12	48
124064-55510	15	44
124066-59100	15	14
		25
124160-01751	2	5
	4	61
124160-01910	1	5
124160-11360	4	57
124160-39140	11	8

Parts No.	Fig. No.	Ref. No.
124160-39450	11	9
124223-35510	10	37
124223-39900	11	10
124240-01871	2	7
124240-01883	2	8
	20	3
124450-44550	12	55
124450-44560	12	52
124460-11340	4	21
124465-44950	12	44
	20	19
124550-51350	13	32
124550-51370	13	33
124550-59820	11	11
124550-66370	16	59
124550-77030	18	41
124574-44761	12	18
124736-07900	4	40
124766-59050	15	19
		19 -1
		24
		56
124770-11770	12	23
124950-51190	13	17
129100-01580	3	1
		17
	9	1 A
		15
129100-01640	3	18
129100-01730	3	11
129100-01790	3	9
129100-11100	4	15
129100-11130	4	17
129100-11300	4	54
129100-11350	4	52
129100-23910	9	37
129100-25061	7	7
129100-35140	10	32
129100-42002	12	1
129100-42020	12	12
	20	15
129100-49050	12	41
129100-49800	12	22
129100-49820	12	25
129100-49830	12	26
129100-49840	12	31
	20	18
129100-51300	13	27
129100-52200	13	94
129100-55621	15	1

Parts No.	Fig. No.	Ref. No.
129100-55650	15	4
129100-55670	15	6
129100-55680	15	7
129100-55690	15	8
129100-55700	15	9
129100-59910	14	25
129100-59920	14	29
129100-59930	14	33
129100-59951	15	31
129100-61400	16	18
129100-61440	16	25
129100-61650	16	53
129100-61821	16	56
129103-01530	2	3
129103-33031	10	17
129103-33132	10	18
129103-35101	10	30
129103-35122	10	42
	20	14
129103-49301	12	13
129105-22090	9	16
129105-22920	9	41
129105-22970	9	43
129107-66810	17	6
129107-66820	17	7
129107-66830	17	3
129116-21650	9	7 -1
129120-77501	5	15
129122-12060	5	9
129122-12100	5	1
129122-12211	5	13
129122-44480	2	10
	12	37
129128-21590	9	11
129129-14580	7	1
129132-12220	5	30
129132-12510	5	19 -1
129132-12561	5	21
129132-12581	5	20
129132-12800	5	23
129132-12820	5	3
129132-12860	5	25
129132-12890	5	5
129132-12900	5	6
129132-44500	12	47
129132-44520	12	48 C
129132-44530	12	48 D
129132-44590	12	56
129132-44900	12	58
129132-44901	12	58 -1

## Parts No. Index

Parts No.	Fig. No.	Ref. No.
129136-66800	17	1
129136-77100	18	40
129136-77250	19	22
129139-12050	5	8
129139-12070	5	18
129139-12200	5	12
129139-12500	5	19
129139-13100	6	1
129139-13521	6	7
129139-13600	6	13
129139-13700	6	14
129139-35160	10	53
129139-39030	11	1
129139-39601	11	15
129150-01200	1	23
129150-02020	1	11
129150-02450	1	21
	7	3 B
129150-02800	1	14
129150-02870	1	25
129150-02930	1	17
129150-02940	1	28
129150-03020	4	45
		52 B
129150-03070	4	46
		52 C
129150-03080	4	47
		52 D
129150-03100	2	25
	4	51
129150-11230	4	36
129150-11280	4	29
129150-11290	4	30
129150-11310	4	56
	20	8
129150-11370	4	22
129150-11750	4	35
129150-11810	4	44
129150-12111	5	2
	20	10
129150-13110	6	2
	20	11
129150-14101	7	3
129150-14200	7	4
129150-14400	7	5
129150-21200	9	3
129150-22300	9	22
129150-23600	9	35
129150-23610	9	38
129150-25101	7	8

Parts No.	Fig. No.	Ref. No.
129150-25900	13	95
129150-25920	7	10 A
129150-32020	10	15
	20	12
129150-35041	10	24
	20	13
129150-35091	10	25
129150-35150	10	43
129150-49080	12	63
129150-49100	12	62
129150-49360	12	46
	20	20
129150-49811	12	30
	20	17
129150-59120	14	20
129150-59130	14	23
129150-59131	14	23 -1
129150-59580	15	15
		29
129150-77511	5	16
	20	5
129155-11241	4	25
129155-11260	4	27
129155-11270	4	28
129155-49800	12	29
129155-51020	13	5
129155-51050	13	8
129155-51060	13	9
129155-51140	13	14
129155-51180	13	16
129155-51200	13	18
129155-51270	13	25
129155-51280	13	26
	16	2
129155-51320	13	30
129155-51340	13	31
129155-51370	13	34
129155-51380	13	35
129155-51390	13	36
129155-51400	13	37
129155-51410	13	38
129155-51420	13	39
129155-51450	13	40
129155-51500	13	45
129155-51521	13	46
129155-51530	13	47
129155-51540	13	48
129155-51550	13	49
129155-51570	13	52
129155-51580	13	53

Parts No.	Fig. No.	Ref. No.
129155-51591	13	54
129155-51600	13	55
129155-51700	13	74
129155-51710	13	75
129155-51750	13	76
129155-51760	13	77
129155-51790	13	78
129155-51930	13	80
129155-51940	13	81
129155-52050	13	93
129155-61050	16	5
129155-61060	16	6
129155-61070	16	7
129155-61120	16	8
129155-61130	16	9
129155-61140	16	10
129155-61201	16	11
129155-61341	16	15
129155-61350	16	16
129155-61360	16	17
129155-61430	16	21
129155-61450	16	26
129155-61460	16	27
129155-61480	16	28
129155-61490	16	33
129155-61540	16	52
129155-61810	16	55
129155-61830	16	57
129155-61950	16	58
129155-61910	13	79
129157-01332	1	24
	20	2
129157-01333	1	24 -1
	20	2 -1
129255-59580	15	22
		30
		30 -2
129255-61802	16	54
129258-49040	12	39
129322-18150	6	9
129322-77401	15	59
129335-55700	15	40
129350-49530	12	20
129400-01590	2	1
129400-92420	20	27
129403-18050	8	1
129403-18090	6	8
	20	21
129403-18091	6	8 -1
	20	21 -1

Parts No.	Fig. No.	Ref. No.
129403-18720	8	2
129403-18750	8	3
129403-18770	8	4
129403-18780	8	13
129403-18790	8	18
129403-18800	8	22
129403-18810	8	25
129403-18820	8	30
129403-18830	8	34
129403-34800	10	22
129403-39610	11	16
129403-49031	12	38
129410-77330	19	25
129418-18320	6	15
	8	52
129418-32000	10	1 -1
129418-35100	10	30 -1
129428-61450	16	76
129470-11080	4	6
129470-11090	4	7
129470-51101	13	11
129477-18100	8	50
	20	22
129477-18101	8	50 -1
	20	22 -1
129489-61700	16	82
129500-61500	16	34
129500-61501	16	34 -1
129503-53050	14	2
129553-32000	10	1
129553-39650	10	51
129555-59510	15	21
129556-42350	12	16
129566-66880	17	4
129566-66890	17	5
129792-39410	10	45
129795-01780	3	20
129795-01800	2	2 A
		6
129795-01950	2	9
129795-02411	1	20
129795-11120	4	16
129795-11180	4	18
129795-21661	9	8
129795-49551	12	21
	20	16
171008-77010	18	1
171008-77400	18	2
171008-77410	18	3
171008-77420	18	4

## Parts No. Index

Parts No.	Fig. No.	Ref. No.
171008-77440	18	6
171008-77450	18	7
171008-77460	18	8
171008-77470	18	9
171008-77480	18	10
171008-77490	18	11
171008-77500	18	12
171008-77510	18	13
171008-77520	18	14
171008-77530	18	15
171008-77540	18	16
171008-77570	18	19
171008-77571	18	19 -1
171008-77640	18	26
171008-77650	18	27
171008-77660	18	28
171008-77670	18	29
171008-77720	18	33
171008-77730	18	34
171008-77740	18	35
171008-77750	18	36
171051-01921	1	6
171056-49351	12	45
171064-44510	12	49
171081-55910	15	52
171301-01600	3	2
171301-01640	3	7
171301-92750	20	23
171340-21650	9	7
171350-03090	4	50
174307-51170	13	15
174307-51560	13	51
174307-51700	16	35
194990-22050	6	3
		16
	8	51
		53
22117-040000	16	60
22117-080000	17	8
22137-100000	6	12 B
22190-060002	16	73 -1
22190-080002	2	21 -1
	11	14 -1
22190-100002	16	74 -1
22190-120002	16	75 -1
22190-160002	13	90 -1
22190-220002	3	10 -1
22217-050000	13	88 A
22217-060000	13	82
22217-100000	6	12 C

Parts No.	Fig. No.	Ref. No.
22217-120000	13	96
22272-000040	16	61
22272-000060	16	62
22287-120000	16	63
22351-030010	10	52
22351-030016	16	64
22351-040010	9	4
		40
22351-050010	13	83
22351-060012	4	23
22360-040000	16	65
22360-080000	17	9
22372-040000	16	65 -1
22512-070140	7	3 A
		6
	9	5
23000-013000	15	23
23000-016000	12	42
23000-022000	11	17
	12	40
23000-041000	5	11 -1
23000-048000	5	31
23000-060000	5	10
		26
23010-038000	12	61
23010-040000	5	11
23065-070225	12	54
23065-160800	4	50 -1
23080-012000	8	49
23414-080000	11	12
23414-100000	11	13
23414-120000	15	39
23414-180000	10	40
23418-060000	15	53
23871-010000	1	7
23871-020000	10	41
23871-030000	4	11
	12	11
		27
23887-100002	16	66
24101-063034	13	84
24311-000120	4	58
	20	9
24311-000160	2	12
	15	11
24311-000200	10	19
24311-000210	10	20
24311-000320	2	13
	4	62
	20	7

Parts No.	Fig. No.	Ref. No.
24311-240100	15	12
		54
	16	67
24314-000160	11	18
24321-000550	10	21
24321-000650	15	13
24341-000160	13	85
24341-000240	2	23
	3	10
24341-000500	4	48
		52 E
	20	6
26014-060302	12	19
26014-080162	12	48 E
26014-080252	19	26
26014-080702	15	16
26022-050102	13	86
	16	68
		68 -1
26022-060162	13	87
26023-050102	16	75 A
26106-060122	2	24
26106-060142	5	27
26106-060162	11	19
26106-060202	16	69
26106-060322	18	37
26106-060402	18	38
26106-080122	2	14
	11	20
	17	10
		11
26106-080142	4	42
	5	28
	6	10
26106-080162	1	22
	2	15
	3	13
	4	49
		52 F
	5	14
	7	12
26106-080202	2	16
	6	11
	12	32
26106-080252	3	14
	4	38
	5	7
		29
	12	33
26106-080302	3	21

Parts No.	Fig. No.	Ref. No.
26106-080352	3	22
	5	17
	10	29
26106-080452	2	17
	3	15
		15 -1
		15 -2
	7	11
26106-080502	3	16
		23
	4	39
	12	34
26106-080552	2	18
26106-080602	12	14
		35
26106-080802	6	4
26106-080852	2	19
26106-080952	10	44
26106-100652	6	12 D
26116-050102	17	12
26116-050302	13	88
26116-060162	12	28
26116-120252	18	39
26206-100252	3	4
26206-100302	3	5
26216-060202	4	12
26216-080222	6	5
26216-080802	6	6
26226-080182	4	26
26366-060002	4	24
26366-080002	2	20
	16	70
	19	24
26450-060252	10	16
26687-120002	16	83
26706-100002	6	12 E
26716-060002	13	89
26716-120002	13	97
26756-060002	16	71
26776-120002	16	72
27231-500000	1	8
27241-120000	1	9
27241-200000	10	37 -1
27241-220000	4	13
27241-300000	1	10
27241-400000	4	14
28110-100120	20	25
28110-140170	20	26
43400-500390	16	73
43400-500410	2	21



# Parts No. Index

Parts No.	Fig. No.	Ref. No.
43400-500410	11	14
43400-500430	16	74
43400-500450	16	75
43400-500490	13	90
719810-01500	2	1 -1
729102-01540	3	6
729102-21700	9	1
729105-22500	9	18
729105-22910	9	24
729105-22951	9	26
729106-01560	1	1
729137-53200	14	1
729137-92612	20	1
729137-92613	20	1 -1
729139-51391	13	1
729150-11650	4	33
729402-11650	4	33 -1
729402-23100	9	30
771364-11701	4	1
977770-01212	20	28

Parts No.	Fig. No.	Ref. No.
-----------	----------	----------

Parts No.	Fig. No.	Ref. No.
-----------	----------	----------

Parts No.	Fig. No.	Ref. No.
-----------	----------	----------