

OCD10-M36000EN

# PREFACE

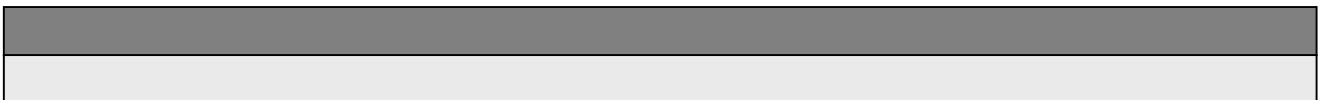
1. This Parts Catalog is the 1st edition of 4TN100/4T112(T)L-NC Diesel Engine for NIPPON CABLE.

Pub. No. : 000Y00D3600

Published : February, 1991

2. Model name

Engine model	Vehicle		Vehicle made by
	Products	Model name	
4TN100/4T112(T)L-NC	—	—	NIPPON CABLE



## Directions for the Parts Catalog.

1. This Parts Catalog shows both standard and optional parts.
2. Parts may change without prior notice.
3. The following is an example of the Parts Catalog format.

REF.	LEV.	PARTS NO.	DESCRIPTION	Q'TY						I	R
				(A)	(B)	(C)	(D)	(E)	(F)		
1	1	729595-51390	FUEL INJECTION PUMP	1	1	1	1	1			1
1-1	1	729595-51391	FUEL INJECTION PUMP	1	1	1	1	1		N	1
		(A=E00185) (B=E00200)									
3	2	26022-060162	SCREW M 6X 16	9	9	9	9	9			
3-1	2	26022-060162	SCREW M 6X 16	4	4	4	4	4		K	
		(A=E00156) (B=E00156) (C=E00156) (D=E00156) (E=E00156)									
4	2	129470-51040	CAMSHAFT	1	1	1	1	1			
5	2	122710-51050	BEARING, ROLLER	2	2	2	2	2			
6	2	129470-51060	RETAINER	1	1	1	1	1			

Remarks
(1) BOOST COMPEMSATOR TYPE. OPTIONAL PART, TO E00155,(4JH-DT, 4JH-DTZ

### ① Ref. No.

The Ref. No. listed may not be in accordance with the illustration Ref. No.

(Ex.) Illustration No.

List Ref No.

1

1

(Before change)

1-1

(After change)

For interchangeable symbols N, R and K, illustrations for new parts may be abbreviated.

### ② Lev. (Level)

Level indication

The numbers below indicate the level of relativity towards the main part.

1 ----- Main parts (Assembly parts)

2 ----- Sub component included in " 1 ".

3 ----- Sub component included in " 2 ".

Note) Parts that are not for sale are partially illustrated but not listed.

### ③ Interchangeability Symbol

When a part change takes place, one of the following interchangeability symbols is indicated beside the part.

Symbol	Interchangeability	Contents note
N	Old $\begin{matrix} \leftarrow \text{Yes} \\ \text{No} \rightarrow \end{matrix}$ New	New Part is interchangeable for Old Part but Old Part is not interchangeable for New Part.
Q	Old $\begin{matrix} \leftarrow \text{No} \\ \text{Yes} \rightarrow \end{matrix}$ New	New Part is not interchangeable for Old Part but Old Part is interchangeable for New Part.
R	Old $\begin{matrix} \leftarrow \text{Yes} \\ \text{Yes} \rightarrow \end{matrix}$ New	New/ Old Parts are both interchangeable.
S	Old $\begin{matrix} \leftarrow \text{No} \\ \text{No} \rightarrow \end{matrix}$ New	New/ Old Parts are both not interchangeable.
W		Part newly added.
Z		Part discontinued.
F		Not interchangeable by a single part but interchangeable together with related parts.
K		Changes only for used parts quantities.

### ④ Effective Machine No.

When a part changes, the effective Machine No. will be indicated in the (A)-(F) column.

Product Symbol	Product No.	Product Symbol	Product No.
C	Clutch No. Compressor No.	F	Machine No. (Agricultural Equip.)
D	Drive No.	M	Machine No.
E	Engine No.		

Note 1) A date may follow the symbol. (Ex.) 1996.01

Note 2) "XXXXX" and "ZZZZZ" are for parts that could not be predicted or for engine models that could not be identified.

Note 3) (A=E00185) is the E (Engine Serial Number) for the column (A) model (in this case 4JH-DT) after the parts design change.

### ⑤ Remarks

Figures or alphabets (symbols) are entered in the remarks column.

The comments (remarks) on parts that are indicated at the bottom of the illustration are the same symbols as those stated above.

# Contents

OCD10-M36000

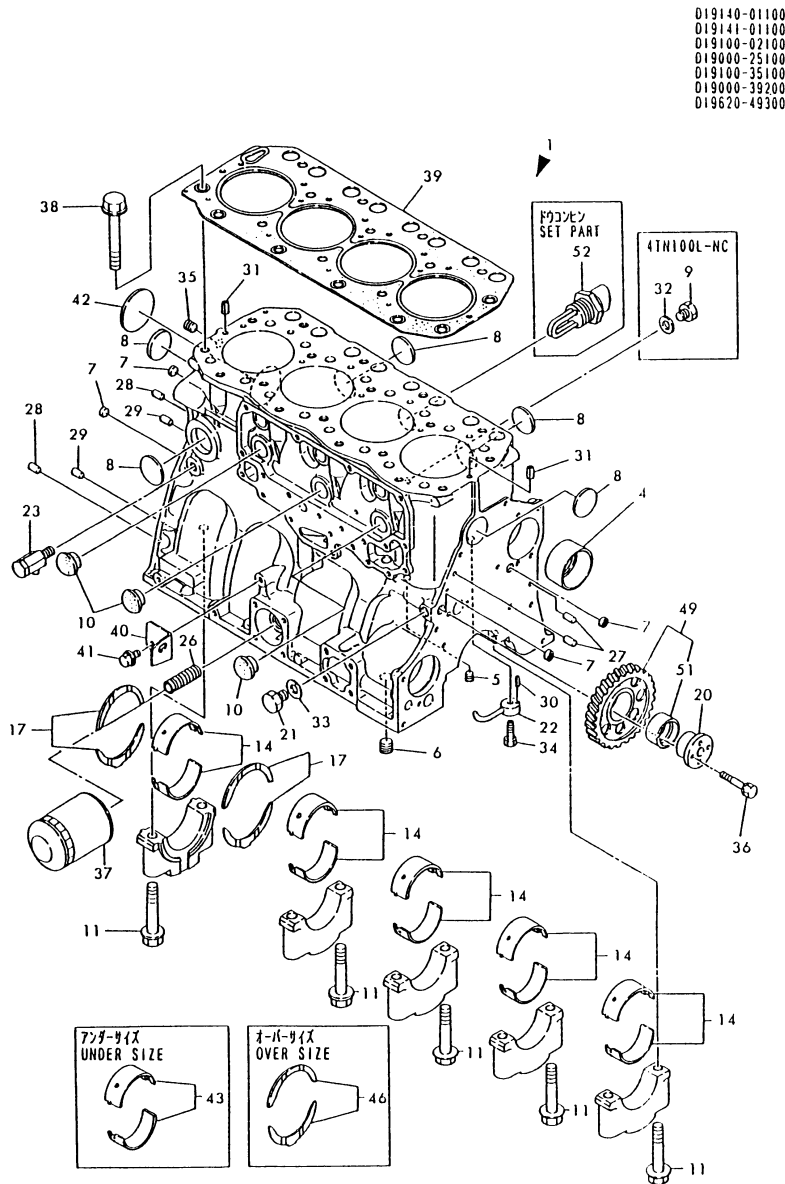
Fig. No.	Fig. Name
4TN100/4T112(T)L-NC	
1.	CYLINDER BLOCK
2.	GEAR HOUSING
3.	OIL SUMP & LUB. OIL SYSTEM
4.	BONNET
5.	CYLINDER HEAD
6.	SUCTION & EXHAUST MANIFOLD
7.	TURBO-CHARGER
8.	CAMSHAFT & DRIVING GEAR
9.	CRANKSHAFT & PISTON
10.	COOLING WATER SYSTEM
11.	OIL COOLLER
12.	FUEL INJECTION PUMP
13.	GOVERNOR
14.	FEED PUMP
15.	FUEL INJECTION VALVE & PIPES
16.	FUEL OIL PIPES
17.	SEPARATOR
18.	ENGINE STOP DEVICE
19.	REGURATOR
20.	STARTING MOTOR
21.	TENSION PULLY
22.	ELECTRIC PARTS
23.	GASKET SET(CYLINDER BLOCK)
24.	GASKET SET(CYLINDER HEAD)&TOOL

Fig. No.	Fig. Name
25.	CYLINDER BLOCK
26.	GEAR HOUSING
27.	OIL SUMP & LUB. OIL SYSTEM
28.	BONNET
29.	CYLINDER HEAD
30.	SUCTION & EXHAUST MANIFOLD
31.	CAMSHAFT & DRIVING GEAR
32.	TURBOCHARGER
33.	CRANKSHAFT & PISTON
34.	LUB. OIL COOLER
35.	LUB. OIL LINE
36.	COOLING WATER SYSTEM
37.	FUEL INJECTION PUMP
38.	FUEL FEED PUMP
39.	FUEL INJECTION VALVE
40.	FUEL FILTER & SEPARATOR
41.	FUEL OIL PIPES
42.	GOVERNOR
43.	ENGINE STOP DEVICE
44.	REGURATOR
45.	STARTING MOTOR
46.	TENSION PULLEY
47.	ELECTRIC PARTS
48.	GASKET SET(CYLINDER BLOCK)
49.	GASKET SET(CYL. HEAD) & TOOLS

Fig.1. CYLINDER BLOCK

(A)=4TN100L-NC  
 (B)=4TN100TL-NC  
 (C)=4T112TL-NC

(D)=  
 (E)=  
 (F)=



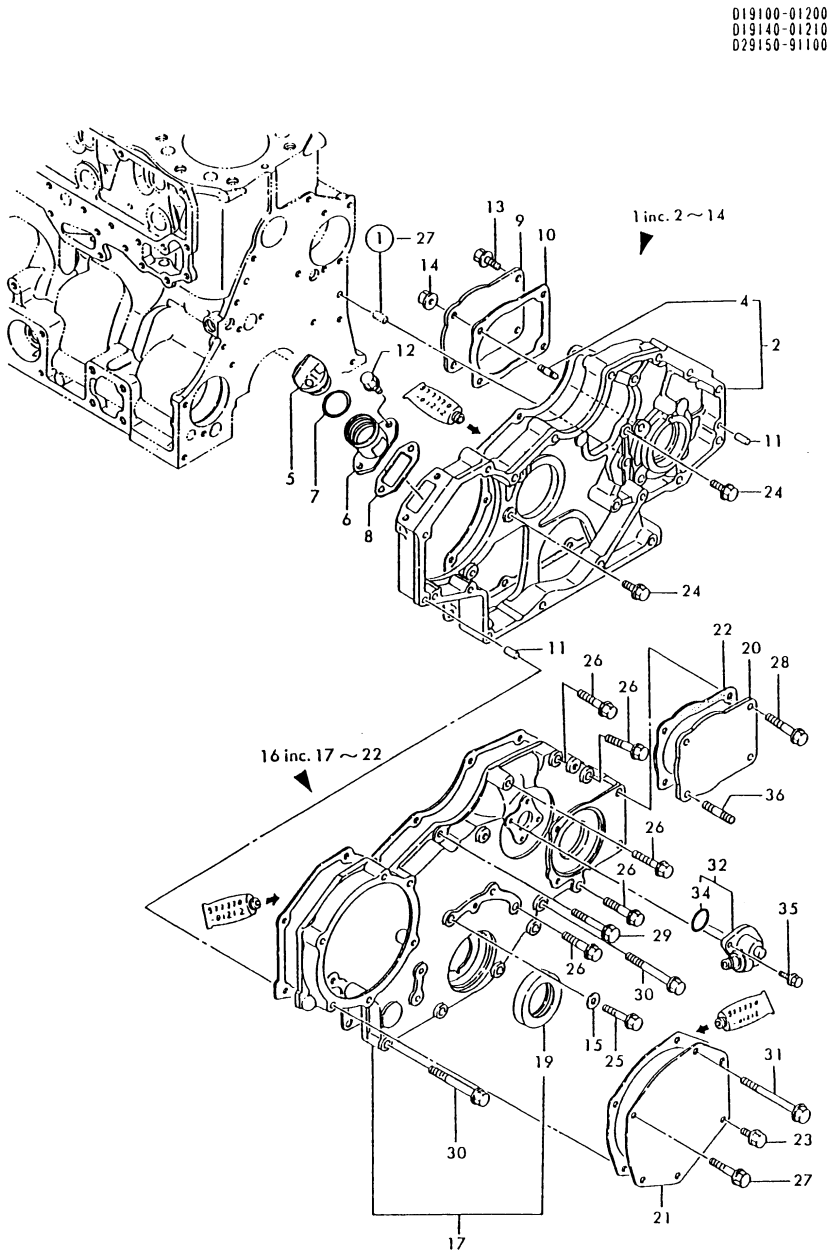
No.	Lev.	Parts No.	Description	Q'ty						I	R
				(A)	(B)	(C)	(D)	(E)	(F)		
1	1	719140-01560	BLOCK ASSY, CYLINDER	1	1						
4	3	119000-02410	BUSH, CAMSHAFT	1	1						
5	3	23871-010000	PLUG, R01	1	1						
6	3	23871-030000	PLUG, R03	1	1						
7	3	27241-140000	PLUG, 14	4	4						
8	3	27241-400000	PLUG, 40	5	5						
9	2	135400-01790	PLUG	1							
10	2	119000-01840	PLUG, RUBBER	3	3						
11	2	119000-02020	BOLT, METAL CAP	10	10						
14	2	719000-02800	BEARING, MAIN	5	5						
17	2	719000-02930	BEARING, THRUST	2	2						
20	2	119000-25050	SHAFT, IDLE GEAR	1	1						
21	2	135602-34390	RETAINER	1	1						
22	2	119000-39650	NOZZLE	4	4						
23	2	119620-49290	COCK ASSY, 1/4	1	1						
26	2	119000-35140	BOLT, FILTER	1	1						
27	2	129100-01580	PIN, M8X16	2	2						
28	2	129100-01580	PIN, M8X16	2	2						
29	2	129100-01580	PIN, M8X16	2	2						
30	2	22351-030010	PIN, SPRING 3.0X10	4	4						
31	2	22351-080016	PIN, SPRING 8.0X16	2	2						
32	2	23414-100000	GASKET, 10X1.0	1							
33	2	23414-140000	GASKET, 14X1.0	1	1						
34	2	23857-030000	BOLT, JOINT 3	4	4						
35	2	23871-020000	PLUG, R02	1	1						
36	2	26013-080452	BOLT, M8X 45	2	2						
37	1	119100-35100	FILTER, OIL	1	1						
38	1	119000-01200	BOLT, HEAD	18	18						
39	1	119100-01340	GASKET, HEAD T=1.3	1	1						
40	1	119100-01980	RETAINER, PUMP	1	1						
41	1	26106-080162	BOLT, M8X 16 PLATED	2	2						
42	1	27231-600000	PLUG, 60	1	1						
43	1	719000-02870	BEARING, 0.25 US	5	5						1
46	1	719000-02940	BEARING, THRUST 0.25	2	2						2
49	1	119000-25100	GEAR ASSY, IDLE Z=51	1	1						
51	2	119000-25060	BUSH, IDLE GEAR	1	1						
52	1	46150-504500	HEATER	1	1						

Remarks  
 (1) UNDER-SIZE(U.S=0.25) PART.  
 (2) OVER-SIZE(O.S=0.25) PART.

Fig.2. GEAR HOUSING

(A)=4TN100L-NC  
 (B)=4TN100TL-NC  
 (C)=4T112TL-NC

(D)=  
 (E)=  
 (F)=



019100-01200  
 019140-01210  
 029150-91100

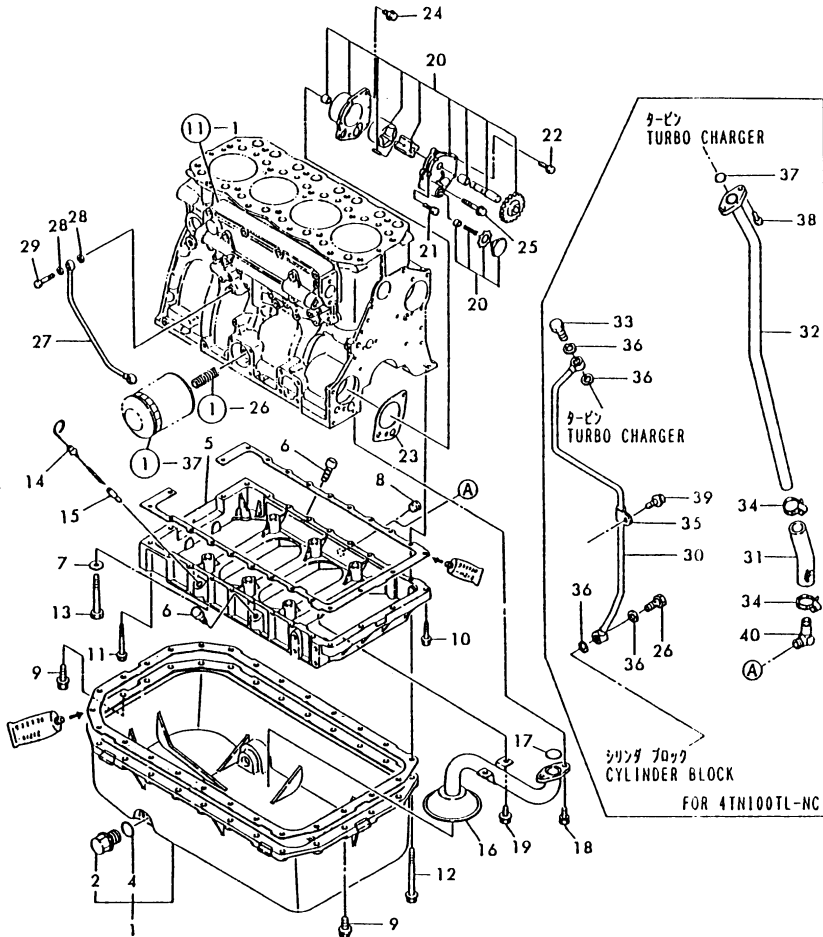
No.	Lev.	Parts No.	Description	Qty						I	R
				(A)	(B)	(C)	(D)	(E)	(F)		
1	1	719129-01610	CASE ASSY, GEAR	1	1						
2	2	719129-01500	COVER ASSY,GEAR CASE	1	1						
4	3	121850-01920	STUD, 2D8X22	2	2						
5	2	124160-01751	COVER, FILLER	1	1						
6	2	119000-01760	FLANGE	1	1						
7	2	121420-01760	O-RING	1	1						
8	2	119000-01771	GASKET	1	1						
9	2	124610-01851	COVER	1	1						
10	2	124610-01862	GASKET	1	1						
11	2	129100-01580	PIN, M8X16	2	2						
12	2	26106-080202	BOLT, M8X 20 PLATED	2	2						
13	2	26106-080202	BOLT, M8X 20 PLATED	2	2						
14	2	26366-080002	NUT, M8	2	2						
15	1	43400-500420	SEAL WASHER 8	1	1						
16	1	719100-01600	COVER ASSY,GEAR CASE	1	1						
17	2	119000-01590	COVER ASSY,GEAR CASE	1	1						
19	3	121850-01800	SEAL, OIL	1	1						
20	2	124610-01851	COVER	1	1						
21	2	119000-01930	COVER	1	1						
22	2	124610-01862	GASKET	1	1						
23	1	26106-080182	BOLT, M8X 18 PLATED	1	1						
24	1	26106-080202	BOLT, M8X 20 PLATED	5	5						
25	1	26106-080402	BOLT, M8X 40 PLATED	1	1						
26	1	26106-080452	BOLT, M8X 45 PLATED	5	5						
27	1	26106-080452	BOLT, M8X 45 PLATED	3	3						
28	1	26106-080502	BOLT, M8X 50 PLATED	2	2						
29	1	26106-080552	BOLT, M8X 55 PLATED	1	1						
30	1	26106-080752	BOLT, M8X 75 PLATED	4	4						
31	1	26106-080902	BOLT, M8X 90 PLATED	2	2						
32	1	129150-91400	GEAR	1	1						
34	2	24341-000240	O-RING, 1AS24.0	1	1						
35	1	26106-060162	BOLT, M6X 16 PLATED	2	2						
36	1	121850-01920	STUD, 2D8X22	2	2						

Fig.3. OIL SUMP & LUB. OIL SYSTEM

(A)=4TN100L-NC  
(B)=4TN100TL-NC  
(C)=4T112TL-NC

(D)=  
(E)=  
(F)=

019100-01400  
019101-01400  
019000-32100  
019100-34100  
019100-35200  
019100-39100  
019101-39100



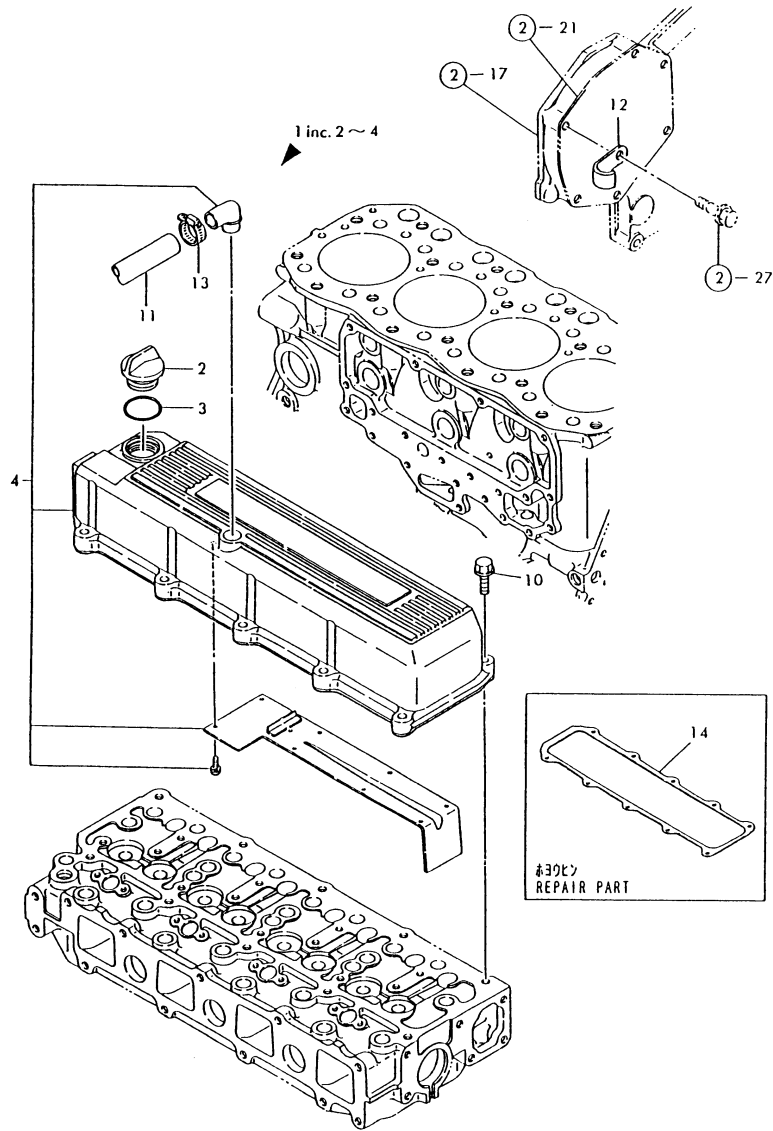
No.	Lev.	Parts No.	Description	Q'ty						I	R
				(A)	(B)	(C)	(D)	(E)	(F)		
1	1	119100-01770	SUMP ASSY, OIL	1	1						
2	2	171301-01640	PLUG, 22	1	1						
4	2	24341-000240	O-RING, 1AS24.0	1	1						
5	1	119100-01730	SPACER	1	1						
6	1	124976-34850	CAP	2	2						
7	1	22117-120000	WASHER, 12	6	6						
8	1	23871-030000	PLUG, R03	1							
9	1	26106-080252	BOLT, M8X 25 PLATED	8	8						
10	1	26106-080352	BOLT, M8X 35 PLATED	4	4						
11	1	26106-080702	BOLT, M8X 70 PLATED	2	2						
12	1	26106-080802	BOLT, M8X 80 PLATED	18	18						
13	1	26116-120852	BOLT, M12X 85 PLATED	6	6						
14	1	119100-34800	DIPSTICK, OIL	1	1						
15	1	121520-34810	GUIDE, DIPSTICK	1	1						
16	1	119100-35090	PIPE ASSY, OIL INLET	1	1						
17	1	24311-000220	O-RING, 1AP22.0	1	1						
18	1	26013-080162	BOLT, M8X 16	2	2						
19	1	26106-080162	BOLT, M8X 16 PLATED	2	2						
20	1	119000-32001	PUMP ASSY, OIL	1	1						
21	2	26013-060162	BOLT, M6X 16	2	2						
22	2	26013-060252	BOLT, M6X 25	2	2						
23	1	119000-32020	GASKET, PUMP	1	1						
24	1	26106-080162	BOLT, M8X 16 PLATED	1	1						
25	1	26106-080502	BOLT, M8X 50 PLATED	1	1						
26	1	121252-39150	BOLT, JOINT M10X1.5		1						
27	1	119100-39350	PIPE, OIL	1	1						
28	1	23414-080000	GASKET, 8X1.0	2	4						
29	1	23857-030000	BOLT, JOINT 3	1	2						
30	1	119101-39600	PIPE, OIL		1						
31	1	129792-39610	JOINT, RUBBER		1						
32	1	119101-39650	PIPE, OIL		1						
33	1	124413-39710	BOLT, PIPE JOINT M10		1						
34	1	23000-025000	CLAMP, 25		2						
35	1	23297-080081	CLAMP, A8X 8		1						
36	1	23414-100000	GASKET, 10X1.0		4						
37	1	24314-000180	O-RING, 4CP18.0		1						
38	1	26106-060162	BOLT, M6X 16 PLATED		2						
39	1	26106-080122	BOLT, M8X 12 PLATED		1						
40	1	124070-13300	ELBOW, PT3/8		1						

Fig.4. BONNET

(A)=4TN100L-NC  
 (B)=4TN100TL-NC  
 (C)=4T112TL-NC

(D)=  
 (E)=  
 (F)=

019000-03100  
 019100-11200



No.	Lev.	Parts No.	Description	Q'ty						I	R
				(A)	(B)	(C)	(D)	(E)	(F)		
1	1	719129-11520	BONNET ASSY, HEAD	1	1						
2	2	124160-01751	COVER, FILLER	1	1						
3	2	24311-000320	O-RING, 1AP32.0	1	1						
4	2	119100-11311	BONNET ASSY, HEAD	1	1						
10	1	26106-080252	BOLT, M8X 25 PLATED	10	10						
11	1	119006-03090	HOSE, BREATHER	1	1						
12	1	129150-03100	RETAINER, PIPE	1	1						
13	1	23000-022000	CLAMP, 22	1	1						
14	1	119100-11360	GASKET, BONNET	1	1						1

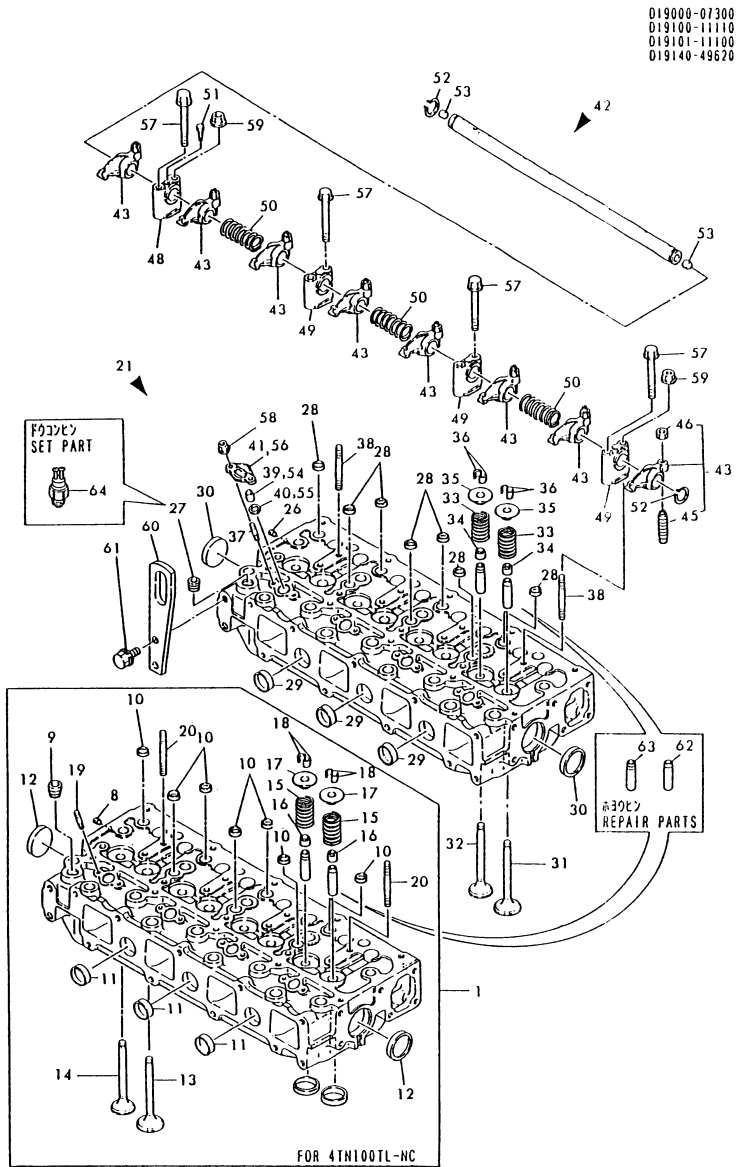
Remarks  
 (1) REPAIR PART.



Fig.5. CYLINDER HEAD

(A)=4TN100L-NC  
(B)=4TN100TL-NC  
(C)=4T112TL-NC

(D)=  
(E)=  
(F)=



No.	Lev.	Parts No.	Description	Q'ty						I	R
				(A)	(B)	(C)	(D)	(E)	(F)		
1	1	719100-11700	HEAD ASSY, CYLINDER		1						
8	2	123385-82200	PLUG, 1/16		1						
9	2	23871-030000	PLUG, R03		1						
10	2	27241-160000	PLUG, 16		7						
11	2	27241-280000	PLUG, 28		3						
12	2	27241-400000	PLUG, 40		2						
13	2	121850-11100	VALVE, INTAKE		4						
14	2	119101-11110	VALVE, EXHAUST		4						
15	2	121850-11120	SPRING, VALVE		8						
16	2	121850-11150	SEAL, VALVE STEM		8						
17	2	121850-11180	RETAINER, SPRING		8						
18	2	124250-11190	COTTER		8						
19	2	26216-060252	STUD, M6X 25		8						
20	2	26216-080652	STUD, M8X 65		2						
21	1	719129-11700	HEAD ASSY, CYLINDER		1						
26	2	123385-82200	PLUG, 1/16		1						
27	2	23871-030000	PLUG, R03		1						
28	2	27241-160000	PLUG, 16		7						
29	2	27241-280000	PLUG, 28		3						
30	2	27241-400000	PLUG, 40		2						
31	2	121850-11100	VALVE, INTAKE		4						
32	2	119000-11110	VALVE, EXHAUST		4						
33	2	121850-11120	SPRING, VALVE		8						
34	2	121850-11150	SEAL, VALVE STEM		8						
35	2	121850-11180	RETAINER, SPRING		8						
36	2	124250-11190	COTTER		8						
37	2	26216-060252	STUD, M6X 25		8						
38	2	26216-080652	STUD, M8X 65		2						
39	2	119625-11870	PROTECTOR, NOZZLE		4						
40	2	119625-11880	SEAT, NOZZLE		4						
41	2	119625-11900	RETAINER, NOZZLE		4						
42	1	119100-11240	SHAFT ASSY, ROCKER		1	1					
43	2	719129-11650	ARM ASSY, ROCKER		8	8					
45	3	119000-11230	SCREW, VALVE ADJUST		8	8					
46	3	129150-11750	NUT, M8		8	8					
48	2	119000-11260	SUPPORT, ROCKER ARM		1	1					
49	2	119000-11270	SUPPORT, ROCKER ARM		3	3					
50	2	119000-11280	SPRING		3	3					
51	2	119000-11290	BOLT		1	1					
52	2	22242-000180	RING, 18		2	2					
53	2	27241-100000	PLUG, 10		2	2					
54	1	119625-11870	PROTECTOR, NOZZLE		4						
55	1	119625-11880	SEAT, NOZZLE		4						
56	1	119625-11900	RETAINER, NOZZLE		4						
57	1	26106-080652	BOLT, M8X 65 PLATED		6	6					
58	1	26366-060002	NUT, M6		8	8					
59	1	26366-080002	NUT, M8		2	2					
60	1	119000-07200	LIFTER		2	2					
61	1	26106-100202	BOLT, M10X 20 PLATED		4	4					
62	1	121850-11800	GUIDE, VALVE		4	4					1
63	1	119000-11810	GUIDE, VALVE		4	4					1

Remarks  
(1) REPAIR PART.

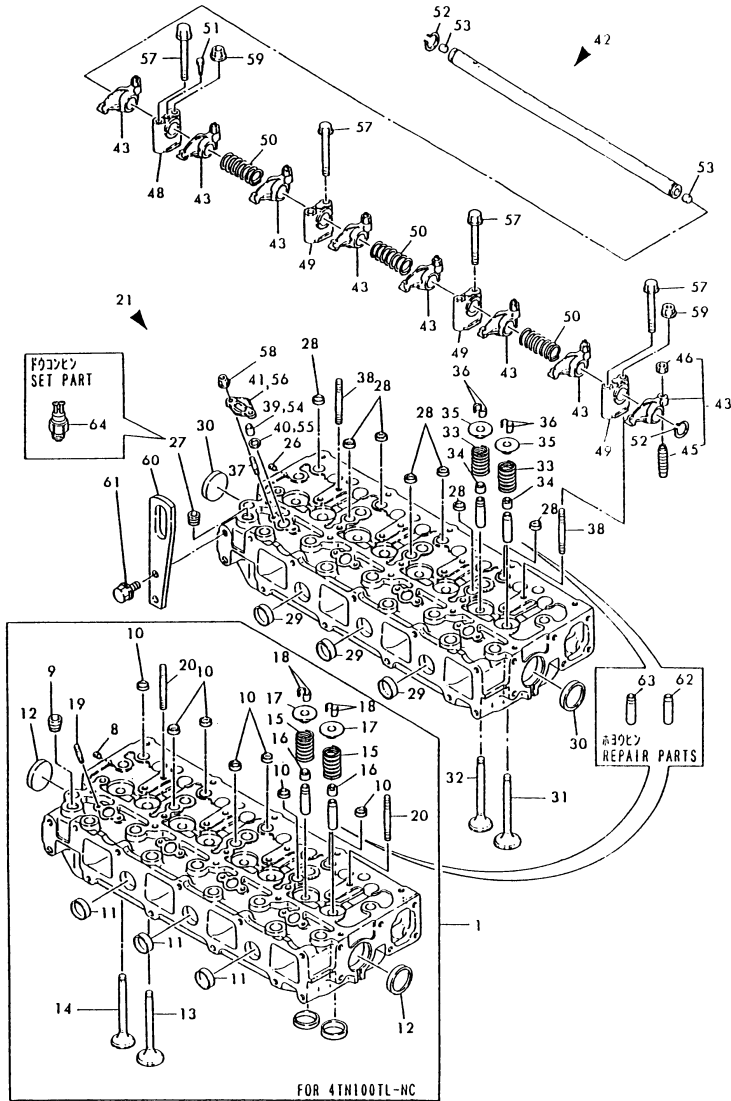
Fig.5. CYLINDER HEAD

(A)=4TN100L-NC  
 (B)=4TN100TL-NC  
 (C)=4T112TL-NC

(D)=  
 (E)=  
 (F)=

No.	Lev.	Parts No.	Description	Q'ty						I	R
				(A)	(B)	(C)	(D)	(E)	(F)		
64	1	171375-44900	SWITCH, 15	1	1						

019000-07300  
 019100-11110  
 019101-11100  
 019140-49620

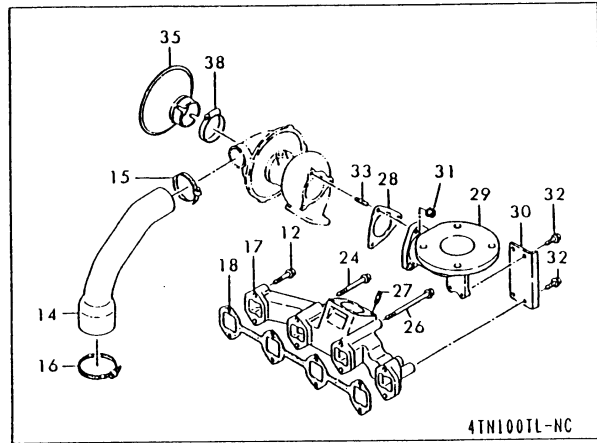


Remarks  
 (1) REPAIR PART.

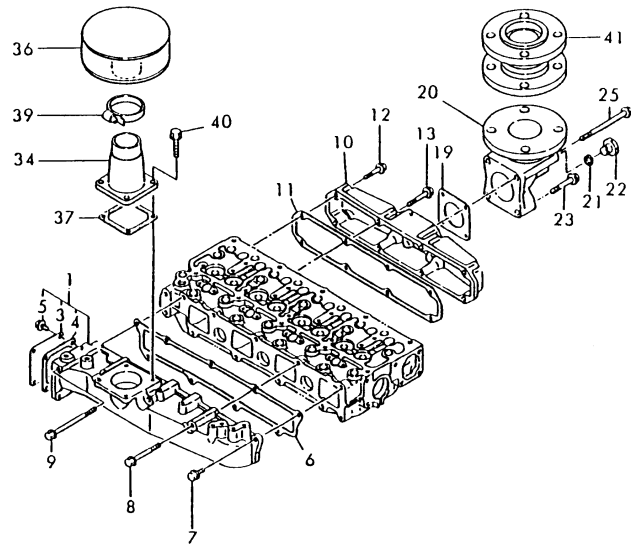
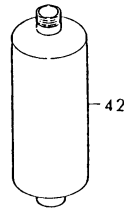
Fig.6. SUCTION & EXHAUST MANIFOLD

(A)=4TN100L-NC  
(B)=4TN100TL-NC  
(C)=4T112TL-NC

(D)=  
(E)=  
(F)=



019100-12100  
019140-12140  
029412-12120  
019101-12200  
019101-13100  
019140-13100  
019131-18300  
019140-93110  
019141-93110



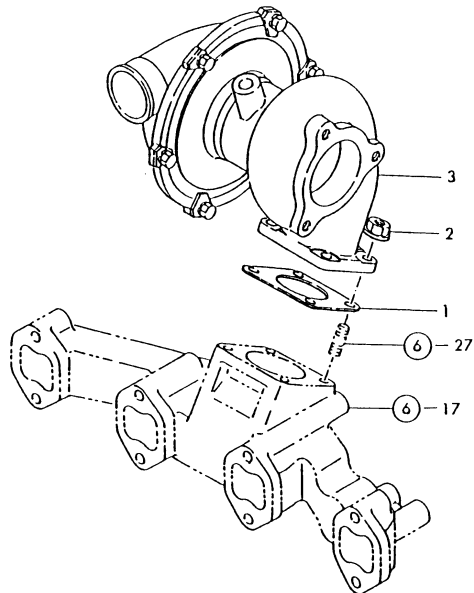
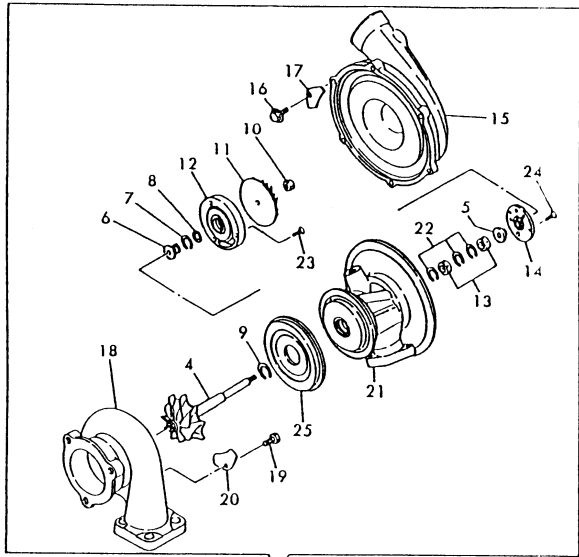
No.	Lev.	Parts No.	Description	Qty						I	R
				(A)	(B)	(C)	(D)	(E)	(F)		
1	1	719129-12100	MANIFOLD ASSY,INTAKE	1	1						
3	2	119100-12120	COVER, MANIFOLD	1	1						
4	2	121850-77021	GASKET	1	1						
5	2	26106-080142	BOLT, M8X 14 PLATED	4	4						
6	1	119100-12112	GASKET, MANIFOLD	1	1						
7	1	26106-080202	BOLT, M8X 20 PLATED	5	5						
8	1	26106-080702	BOLT, M8X 70 PLATED	3	3						
9	1	26106-081152	BOLT, M8X115 PLATED	1	1						
10	1	119100-13100	MANIFOLD, EXHAUST	1							
11	1	119100-13200	GASKET	1							
12	1	26106-080402	BOLT, M8X 40 PLATED	4	4						
13	1	26106-080502	BOLT, M8X 50 PLATED	4							
14	1	119101-12850	PIPE, AIR INTAKE		1						
15	1	23000-060000	CLAMP, 60		1						
16	1	23000-070000	CLAMP, 70		1						
17	1	119101-13100	MANIFOLD, EXHAUST		1						
18	1	119101-13200	GASKET		1						
19	1	129400-13201	GASKET, SILENCER	1							
20	1	129411-13300	BEND, EXHAUST 50A	1							
21	1	23414-170000	GASKET, 17X1.0	1							
22	1	23894-030002	PLUG, G3/8	1							
23	1	26106-080452	BOLT, M8X 45 PLATED	2							
24	1	26106-080702	BOLT, M8X 70 PLATED		3						
25	1	26106-080952	BOLT, M8X 95 PLATED	2							
26	1	26106-081102	BOLT, M8X110 PLATED		1						
27	1	26216-080222	STUD, M8X 22		4						
28	1	129792-13520	GASKET		1						
29	1	119131-18390	BEND, EXHAUST		1						
30	1	119131-18400	STAY		1						
31	1	194990-22050	NUT, M8		3						
32	1	26106-080162	BOLT, M8X 16 PLATED		4						
33	1	26216-080222	STUD, M8X 22		3						
34	1	119140-12130	STAY, SILENCER	1							
35	1	129412-12460	COVER		1						
36	1	127412-18853	SILENCER		1						
37	1	121850-77021	GASKET		1						
38	1	23000-054000	CLAMP, 54		1						
39	1	23000-070000	CLAMP, 70		1						
40	1	26106-080182	BOLT, M8X 18 PLATED		4						
41	1	43100-500560	BELLOWS	1	1						
42	1	43100-552910	SILENCER	1	1						

Fig.7. TURBO-CHARGER

(A)=4TN100L-NC  
 (B)=4TN100TL-NC  
 (C)=4T112TL-NC

(D)=  
 (E)=  
 (F)=

019101-18100



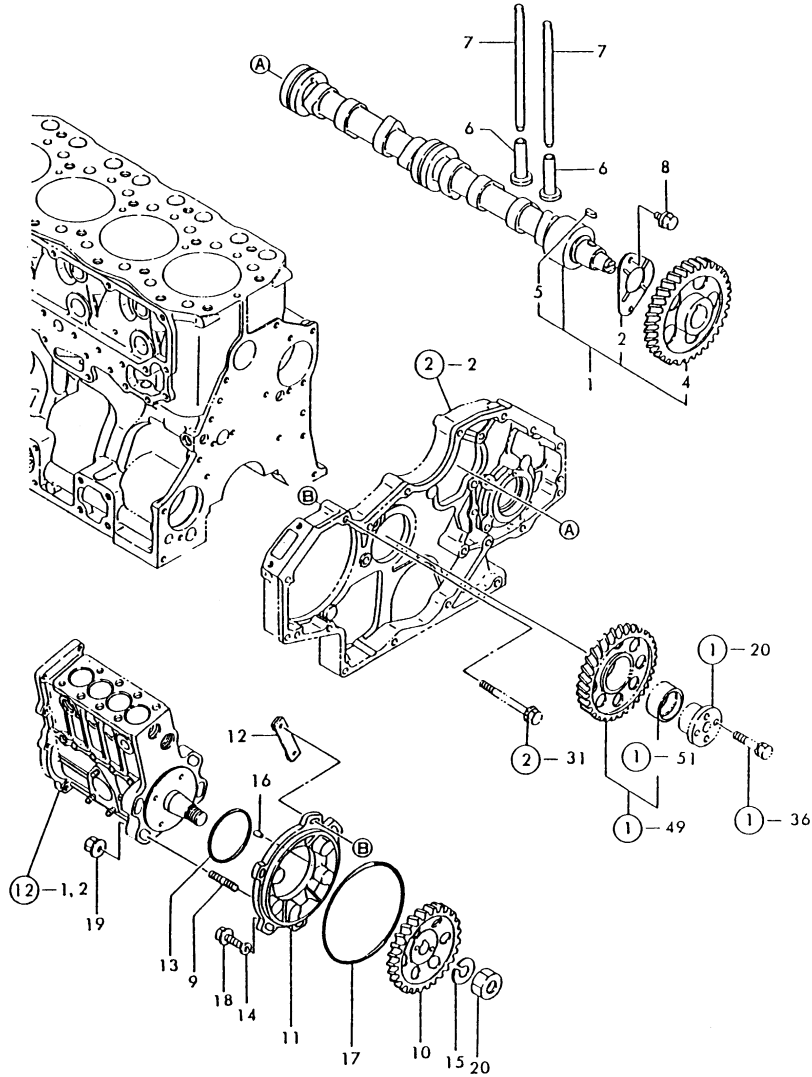
No.	Lev.	Parts No.	Description	Q'ty						I	R
				(A)	(B)	(C)	(D)	(E)	(F)		
1	1	129792-18090	GASKET		1						
2	1	26366-080002	NUT, M8		4						
3	1	119101-18010	TURBINE, RHB52		1						
4	2	119101-18500	SHAFT, TURBINE		1						
5	2	129404-18510	BUSHING		1						
6	2	129404-18520	OIL THROWER		1						
7	2	129404-18530	RING, SEAL		1						
8	2	129404-18540	RING, SEAL		1						
9	2	129404-18550	RING, SEAL		1						
10	2	129404-18560	NUT, D8/4.5 T5		1						
11	2	119101-18510	WHEEL, BLOWER		1						
12	2	129404-18580	PLATE		1						
13	2	129404-18590	BEARING		2						
14	2	129404-18600	BEARING, THRUST		1						
15	2	119101-18520	HOUSING ASSY		1						
16	2	129403-18620	BOLT M 5X 10.5		6						
17	2	119101-18530	PLATE		6						
18	2	119101-18540	HOUSING		1						
19	2	119101-18550	BOLT, M8		4						
20	2	119101-18560	PLATE		4						
21	2	119101-18570	HOUSING, BEARING		1						
22	2	129404-18680	CIRCLIP		3						
23	2	129406-18690	SCREW		4						
24	2	129406-18700	SCREW		3						
25	2	129404-18720	PROTECTOR, HEAT		1						

Fig.8. CAMSHAFT & DRIVING GEAR

(A)=4TN100L-NC  
 (B)=4TN100TL-NC  
 (C)=4T112TL-NC

(D)=  
 (E)=  
 (F)=

019100-14100  
 019000-25200

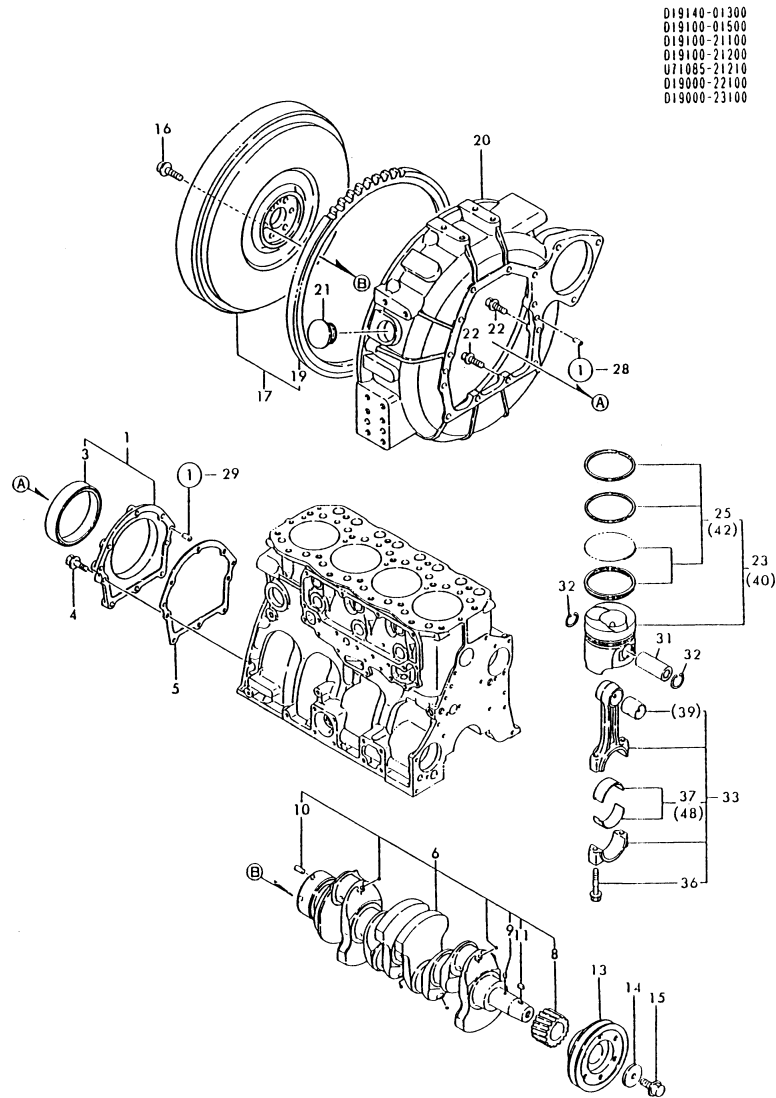


No.	Lev.	Parts No.	Description	Q'ty						I	R
				(A)	(B)	(C)	(D)	(E)	(F)		
1	1	119100-14000	CAMSHAFT ASSY	1	1						
2	2	119000-02450	BEARING, THRUST	1	1						
4	2	119000-14100	GEAR, CAMSHAFT Z=48	1	1						
5	2	22512-070140	KEY, 7X 14	1	1						
6	1	119000-14200	TAPPET	8	8						
7	1	129150-14400	ROD, PUSH L=178	8	8						
8	1	26106-080162	BOLT, M8X 16 PLATED	2	2						
9	1	121850-01900	STUD, SB10X32	4	4						
10	1	119000-25900	GEAR, PUMP	1	1						
11	1	119000-25910	BRACKET, PUMP	1	1						
12	1	119000-25920	RETAINER	1	1						
13	1	124410-51960	O-RING	1	1						
14	1	106100-55800	WASHER	3	3						
15	1	22217-180000	WASHER, SPRING 18	1	1						
16	1	22351-050012	PIN, SPRING 5.0X12	1	1						
17	1	24341-001350	O-RING, 1AS135.0	1	1						
18	1	26106-080252	BOLT, M8X 25 PLATED	3	3						
19	1	26366-100002	NUT, M10	4	4						
20	1	26776-180002	NUT, LOCK M18	1	1						

Fig.9. CRANKSHAFT & PISTON

(A)=4TN100L-NC  
(B)=4TN100TL-NC  
(C)=4T112TL-NC

(D)=  
(E)=  
(F)=



No.	Lev.	Parts No.	Description	Q'ty						I	R
				(A)	(B)	(C)	(D)	(E)	(F)		
1	1	119100-01640	CASE ASSY, OIL SEAL	1	1						
3	2	124411-01780	SEAL, HTC95X115X12	1	1						
4	1	26106-080252	BOLT, M8X 25 PLATED	8	8						
5	1	119000-01660	GASKET	1	1						
6	1	719100-21700	CRANKSHAFT ASSY	1	1						
8	2	121850-21200	GEAR, CRANKSHAFT	1	1						
9	2	121850-21290	PIN	1	1						
10	2	121850-21920	PIN, M10X22	1	1						
11	2	22512-070140	KEY, 7X 14	1	1						
13	1	119000-21650	V-PULLEY	1	1						
14	1	121850-21660	WASHER	1	1						
15	1	121850-21680	BOLT	1	1						
16	1	121850-21130	BOLT, FLYWHEEL	6	6						
17	1	171090-21601	FLYWHEEL ASSY	1	1						
19	2	127410-21480	GEAR, RING Z=129	1	1						
20	1	119140-01600	HOUSING, FLYWHEEL	1	1						
21	1	129795-11750	CAP	1	1						
22	1	26106-100302	BOLT, M10X 30 PLATED	12	12						
23	1	119000-22000	PISTON ASSY	4	4						
25	2	719000-22500	RING SET, PISTON	4	4						
31	1	119000-22300	PIN, PISTON	4	4						
32	1	22252-000340	RING, 34	8	8						
33	1	719000-23100	ROD ASSY, CONNECTING	4	4						
36	2	121850-23200	BOLT, CONNECTING ROD	8	8						
37	2	719000-23600	BEARING, CRANK PIN	4	4						
39	1	119000-23910	BEARING, PISTON PIN	4	4						1
40	1	719000-22900	PISTON ASSY, 0.25 OS	4	4						2
42	2	719000-22950	RING SET, 0.25 OS	4	4						2
48	1	719000-23610	BEARING ASSY, 0.25	4	4						3

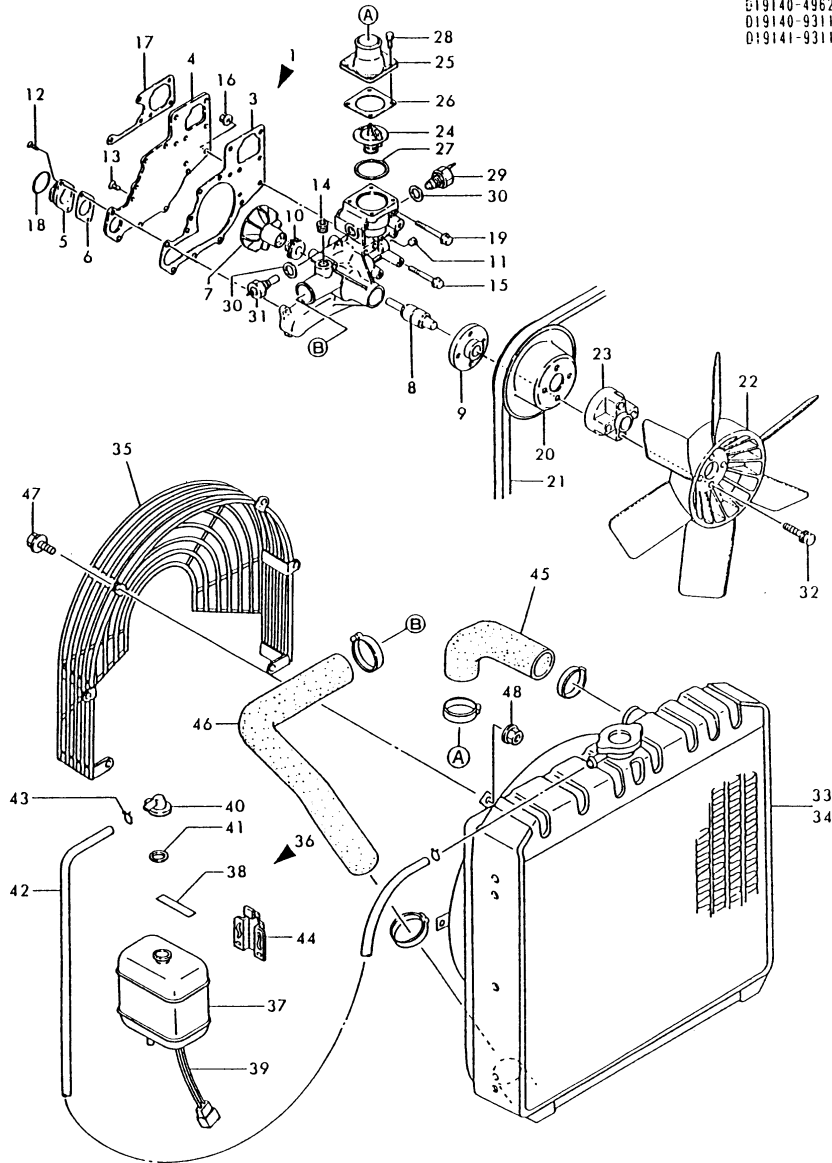
Remarks

- (1) REPAIR PART.
- (2) OVER-SIZE(O.S=0.25)PART.
- (3) UNDER-SIZE(U.S=0.25)PART.

Fig.10. COOLING WATER SYSTEM

(A)=4TN100L-NC  
(B)=4TN100TL-NC  
(C)=4T112TL-NC

(D)=  
(E)=  
(F)=



019100-42100  
019100-42300  
019100-42400  
019141-44100  
019006-49200  
019140-49620  
019140-93110  
019141-93110

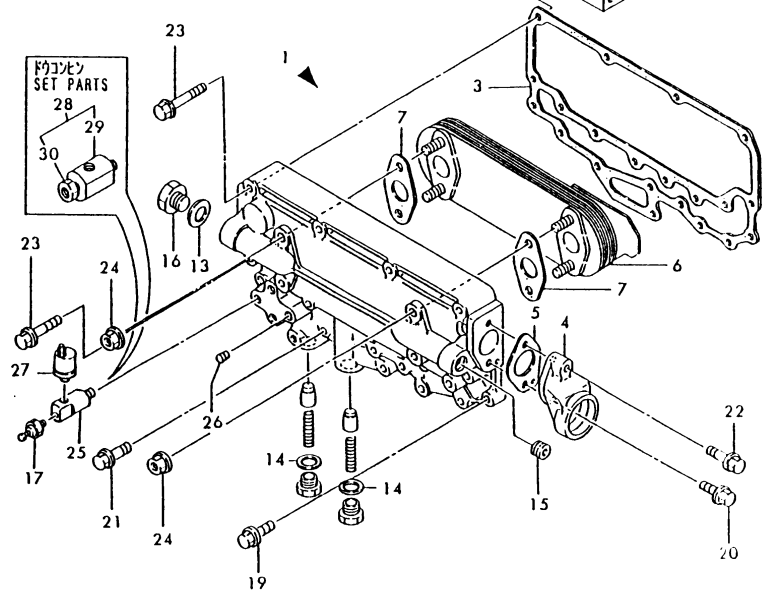
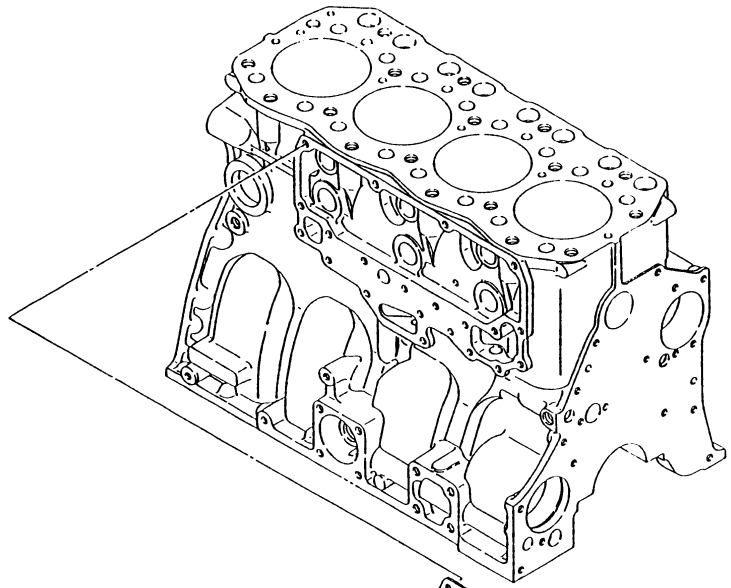
No.	Lev.	Parts No.	Description	Q'ty						I	R
				(A)	(B)	(C)	(D)	(E)	(F)		
1	1	119006-42001	PUMP ASSY, WATER	1	1						
3	2	119000-42051	GASKET, WATER PUMP	1	1						
4	2	119000-42121	PLATE, PUMP	1	1						
5	2	119000-42141	FLANGE	1	1						
6	2	119000-42151	GASKET, WATER PUMP	1	1						
7	2	119000-42201	IMPELLER, 75X75X38	1	1						
8	2	119000-42240	BEARING, SHAFT	1	1						
9	2	119000-42261	FLANGE	1	1						
10	2	119660-42310	SEAL, MECHANICAL	1	1						
11	2	23871-020000	PLUG, R02	1	1						
12	2	26577-060202	SCREW, M6X20	2	2						
13	2	26577-080162	SCREW, M8X16	6	6						
14	2	23871-030000	PLUG, R03	1	1						
15	2	26106-080602	BOLT, M8X 60 PLATED	2	2						
16	2	26726-080002	NUT, M8	2	2						
17	1	119000-42021	GASKET, WATER PUMP	1	1						
18	1	24311-000360	O-RING, 1AP36.0	1	1						
19	1	26106-080652	BOLT, M8X 65 PLATED	5	5						
20	1	119000-42250	V-PULLEY	1	1						
21	1	171087-42280	V-BELT, A44	1	1						
22	1	121972-44740	FAN, COOLING	1	1						
23	1	119141-44760	SPACER, FAN	1	1						
24	1	119000-48170	THERMOSTAT, 71	1	1						
25	1	121850-49530	COVER, THERMOSTAT	1	1						
26	1	121850-49540	GASKET, THERMOSTAT	1	1						
27	1	121850-49550	GASKET, THERMOSTAT	1	1						
28	1	26014-060142	BOLT, M6X 14	4	4						
29	1	121250-44901	SWITCH, 110	1	1						
30	1	124465-44950	GASKET, 16	2	2						
31	1	171375-44910	SENSOR	1	1						
32	1	26106-080552	BOLT, M8X 55 PLATED	4	4						
33	1	119140-44531	RADIATOR	1							
34	1	119141-44531	RADIATOR		1						
35	1	119100-44590	NET, WIRE	1	1						
36	1	121850-44800	TANK ASSY, RESERVE	1	1						
37	2	121850-44810	TANK, RESERVE	1	1						
38	2	121850-44830	LABEL, RESERVE TANK	1	1						
39	2	121850-44840	SWITCH ASSY	1	1						
40	2	121850-44850	CAP	1	1						
41	2	121850-44860	GASKET	1	1						
42	2	121850-44870	HOSE	1	1						
43	2	121850-44880	CLAMP	1	1						
44	1	121850-44910	BRACKET, SUB TANK	1	1						
45	1	119141-49011	PIPE, WATER	1	1						
46	1	119141-49020	PIPE, WATER	1	1						
47	1	26106-080122	BOLT, M8X 12 PLATED	6	6						
48	1	26366-080002	NUT, M8	6	6						

Fig.11. OIL COOLER

(A)=4TN100L-NC  
 (B)=4TN100TL-NC  
 (C)=4T112TL-NC

(D)=  
 (E)=  
 (F)=

019140-33100  
 019100-39400



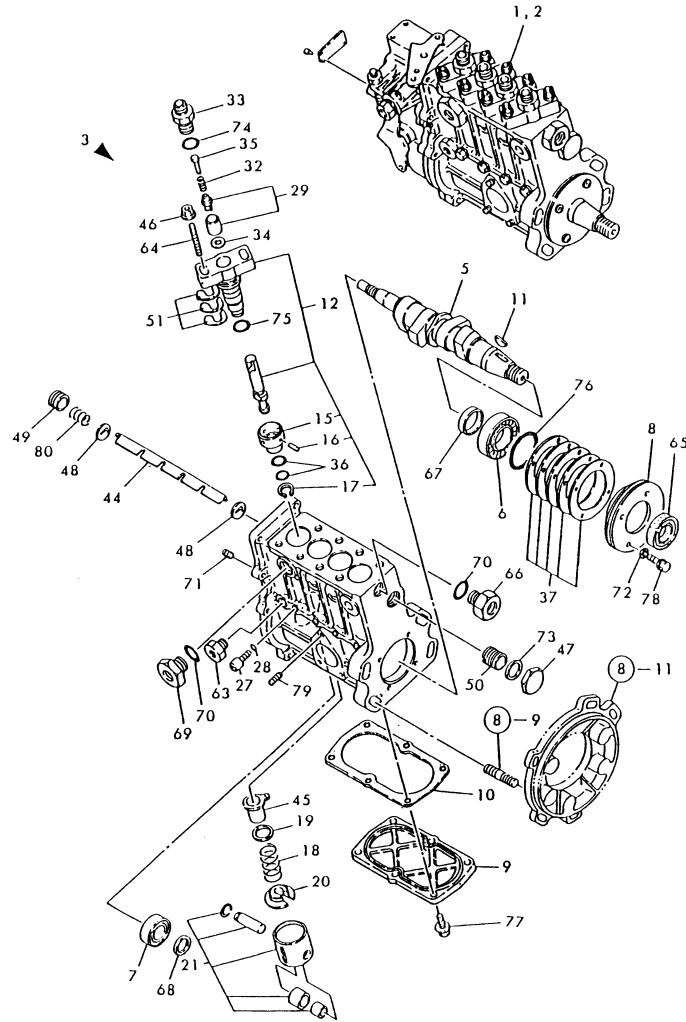
No.	Lev.	Parts No.	Description	Q'ty						I	R
				(A)	(B)	(C)	(D)	(E)	(F)		
1	1	719129-33101	COOLER ASSY, OIL	1	1						
1-1	1	119140-95910	SET,LO COOLER CMP	1	1						N
		(A=E2009.12) (B=E2009.12)									
3	2	119000-33021	GASKET	1	1						
4	2	119000-33030	BEND	1	1						
5	2	119000-33041	GASKET	1	1						
6	2	119000-33050	COOLER, OIL	1	1						
7	2	121952-33071	GASKET, COOLER	2	2						
13	2	23414-160000	GASKET, 16X1.0	1	1						
14	2	23414-180000	GASKET, 18X1.0	2	2						
14-1	2	23414-170000	GASKET, 17X1.0	2	2						N
		(A=E2009.12) (B=E2009.12)									
15	2	23871-030000	PLUG, R03	1	1						
16	2	23887-160002	PLUG, 16	1	1						
17	2	121250-39450	SWITCH, 1.0KG	1	1						
19	1	26106-080202	BOLT, M8X 20 PLATED	3	3						
20	1	26106-080202	BOLT, M8X 20 PLATED	1	1						
21	1	26106-080352	BOLT, M8X 35 PLATED	8	8						
22	1	26106-080352	BOLT, M8X 35 PLATED	1	1						
23	1	26106-080502	BOLT, M8X 50 PLATED	10	10						
24	1	26376-100002	NUT, M10	4	4						
25	1	119140-39610	DAMPER	1	1						
26	1	23871-010000	PLUG, R01	1	1						
27	1	144626-91560	SENSOR	1	1						
28	1	171375-39600	DAMPER ASSY	1	1						
29	2	129470-39610	DAMPER	1	1						
30	2	23161-020100	BUSH, R1/4X1/8	1	1						



Fig.12. FUEL INJECTION PUMP

(A)=4TN100L-NC  
(B)=4TN100TL-NC  
(C)=4T112TL-NC

(D)=  
(E)=  
(F)=



719140-51320  
719141-51320

No.	Lev.	Parts No.	Description	Q'ty						I	R
				(A)	(B)	(C)	(D)	(E)	(F)		
1	1	719140-51320	PUMP ASSY, INJECTION	1							1
2	1	719141-51320	PUMP ASSY, INJECTION		1						1
3	2	119100-51000	PUMP ASSY, INJECTION	1	1						
5	3	119100-51030	CAMSHAFT	1	1						
6	3	119000-51050	BEARING, HR32005XJ	1	1						
7	3	122710-51050	BEARING, HR30203J	1	1						
8	3	119000-51060	SUPPORT, BEARING A	1	1						
9	3	119100-51081	COVER	1	1						
10	3	119100-51091	GASKET	1	1						
11	3	144626-51090	KEY, 5X19	1	1						
12	3	119000-51101	PLUNGER ASSY	4	4						
15	4	119000-51151	DEFLECTOR	4	4						
16	4	119000-51430	PIN	4	4						
17	4	22242-000200	RING, 20	4	4						
18	3	119000-51161	SPRING, PLUNGER	4	4						
19	3	119000-51170	SEAT, SPRING A	4	4						
20	3	119000-51181	SEAT, SPRING B	4	4						
21	3	119000-51201	TAPPET ASSY	4	4						
27	3	129155-51270	STOPPER, TAPPET	4	4						
28	3	129155-51280	O-RING, S6	4	4						
29	3	128400-51300	VALVE ASSY, DELIVERY	4	4						
32	3	119000-51330	SPRING, DELIVERY	4	4						
33	3	119000-51340	HOLDER, DELIVERY	4	4						
34	3	122710-51350	GASKET	4	4						
35	3	119000-51360	STOPPER, VALVE	4	4						
36	3	119000-51410	O-RING, S18	8	8						
37	3	119000-51450	SHIM SET, CAMSHAFT	1	1						
44	3	119100-51500	RACK, CONTROL	1	1						
45	3	119000-51510	SLEEVE, CONTROL	4	4						
46	3	26366-080002	NUT, M8	8	8						
47	3	119000-51550	COVER	1	1						
48	3	119000-51570	GUIDE, RACK	2	2						
49	3	119000-51580	SCREW	1	1						
50	3	119000-51590	SCREW	1	1						
51	3	119000-51650	SHIM SET, ADJUSTING	8	8						
63	3	121850-51700	BUSH	1	1						
64	3	119000-51800	BOLT	8	8						
65	3	119000-51900	SEAL, AC1290E0	1	1						
66	3	121952-51900	PLUG	1	1						
67	3	119000-51911	SPACER, CAMSHAFT	1	1						
68	3	122710-51920	SPACER	1	1						
69	3	144626-51940	PLUG	1	1						
70	3	144626-51950	O-RING, 1016	2	2						
71	3	137600-53900	SCREW, M6X6	1	1						
72	3	22190-060000	WASHER, SEAL 6	4	4						
73	3	23414-220029	GASKET, 22X1.0	1	1						
74	3	24312-000150	O-RING, 2P15.0	4	4						
75	3	24341-000260	O-RING, 1AS26.0	4	4						
76	3	24341-000500	O-RING, 1AS50.0	1	1						
77	3	26106-060182	BOLT, M6X 18 PLATED	6	6						
78	3	26106-060202	BOLT, M6X 20 PLATED	4	4						

Remarks

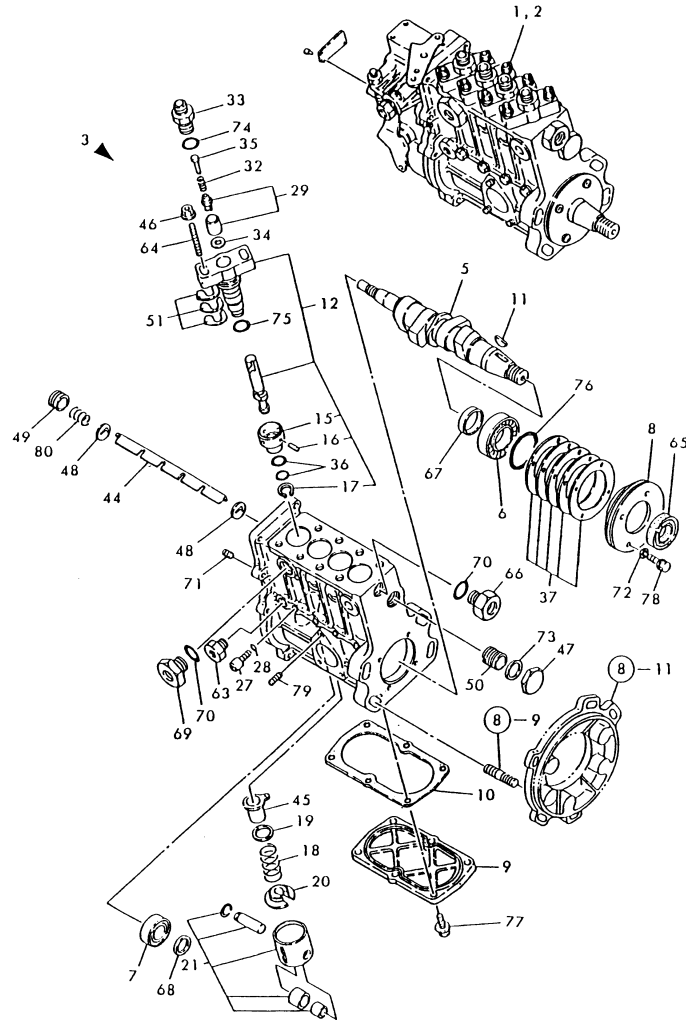
(1) GOVERNOR(FIG.NO.13) & FEED PUMP (FIG.NO.14) ARE INCORPORATED IN THIS FUEL INJECTION PUMP ASSY (FIG.NO.12.REF.NO.1 & 2).

Fig.12. FUEL INJECTION PUMP

(A)=4TN100L-NC  
 (B)=4TN100TL-NC  
 (C)=4T112TL-NC

(D)=  
 (E)=  
 (F)=

719140-51320  
 719141-51320



No.	Lev.	Parts No.	Description	Q'ty						I	R
				(A)	(B)	(C)	(D)	(E)	(F)		
79	3	26216-060162	STUD, M6X 16	3	3						
80	3	119000-51530	SPRING, RACK	1	1						

Remarks

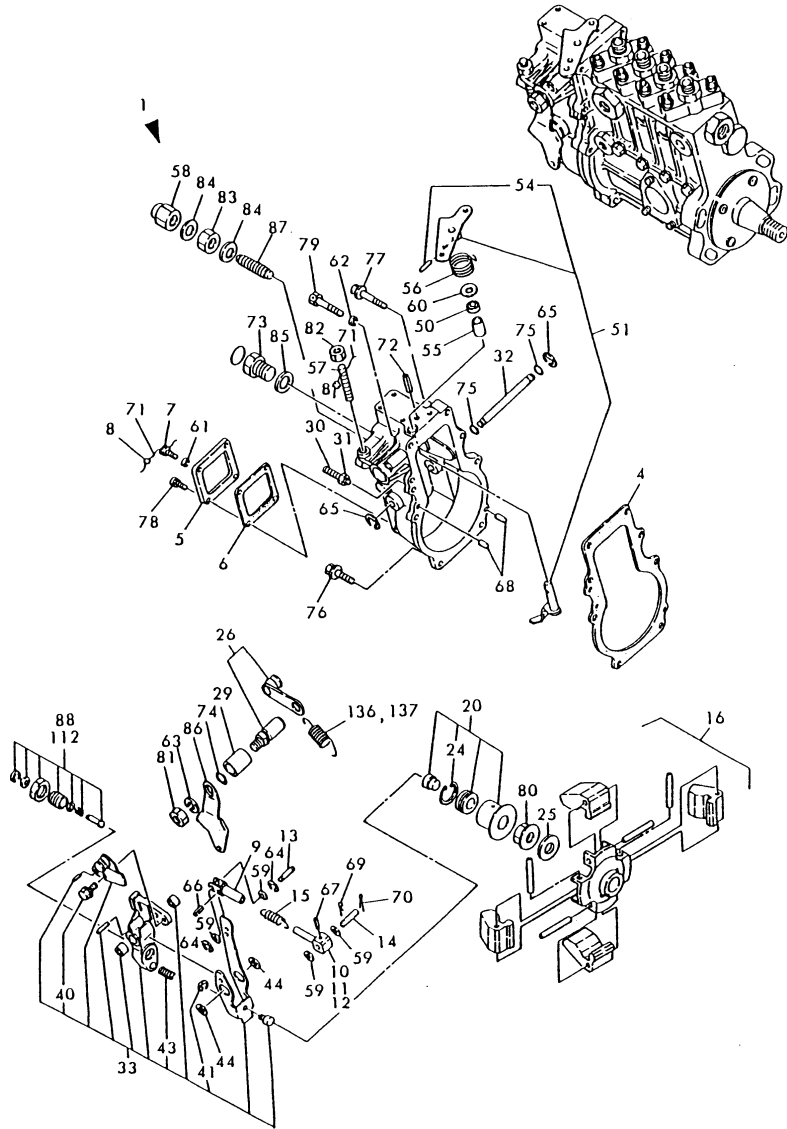
(1) GOVERNOR(FIG.NO.13) & FEED PUMP  
 (FIG.NO.14) ARE INCORPORATED IN  
 THIS FUEL INJECTION PUMP ASSY  
 (FIG.NO.12.REF.NO.1 & 2).

Fig.13. GOVERNOR

(A)=4TN100L-NC  
(B)=4TN100TL-NC  
(C)=4T112TL-NC

(D)=  
(E)=  
(F)=

719140-51320  
719141-51320



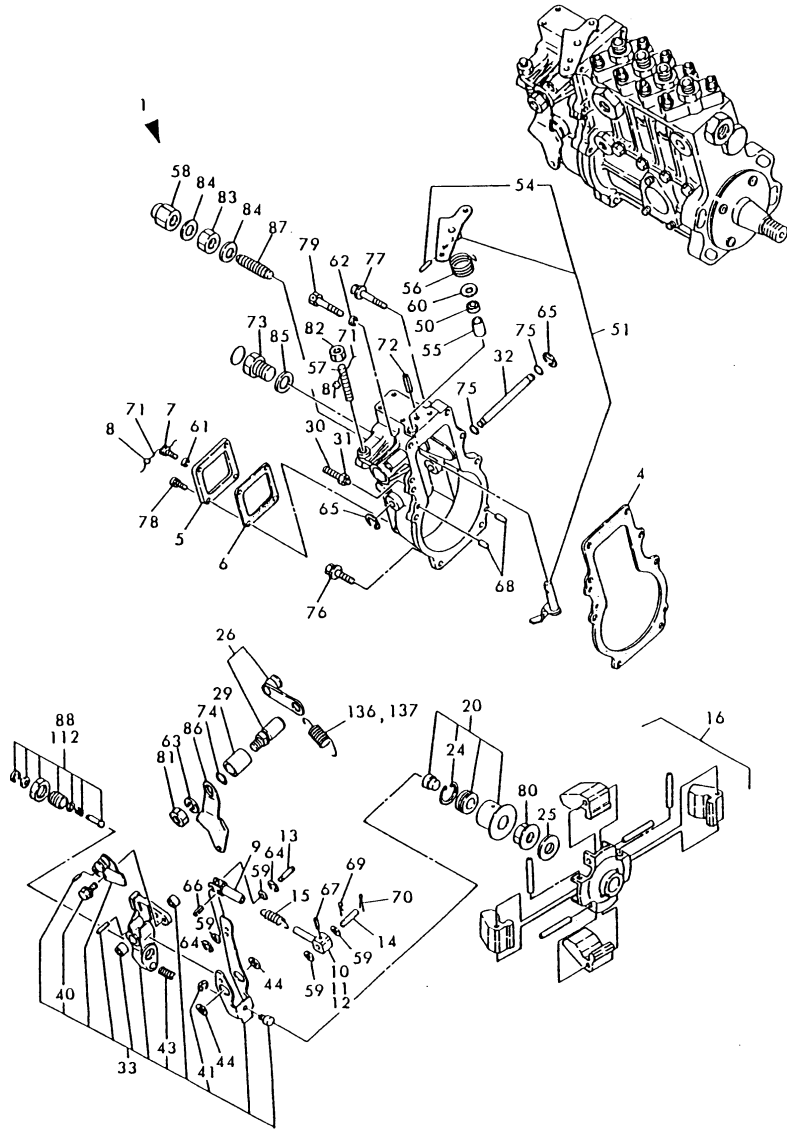
No.	Lev.	Parts No.	Description	Q'ty						I	R
				(A)	(B)	(C)	(D)	(E)	(F)		
1	1	119000-61000	GOVERNOR ASSY	1	1						
4	2	119000-61051	GASKET	1	1						
5	2	120323-61060	COVER, GOVERNOR CASE	1	1						
6	2	120323-61070	GASKET	1	1						
7	2	129155-61090	BOLT	1	1						
8	2	135210-61090	LEAD	2	2						
9	2	119000-61120	LINK	1	1						
10	2	119000-61140	LINK, MARK-1 L=40	1	1						
11	2	119000-61150	LINK, MARK-2 L=42	1	1						
12	2	119000-61160	LINK, MARK-3 L=44	1	1						
13	2	119000-61170	PIN, LINK	1	1						
14	2	119000-61180	PIN, LINK	1	1						
15	2	119000-61190	SPRING	1	1						
16	2	119000-61200	WEIGHT ASSY,GOVERNOR	1	1						
20	2	119000-61300	SLEEVE ASSY, L=30	1	1						
24	3	22262-000260	RING, R-26	1	1						
25	2	119000-61380	SPACER	1	1						
26	2	119000-61400	SHAFT ASSY	1	1						
29	2	119000-61430	BUSH	1	1						
30	2	129470-61450	BOLT, LIMITER	1	1						
31	2	119000-61470	NUT, M6	1	1						
32	2	119000-61490	SHAFT	1	1						
33	2	119000-61500	LEVER ASSY, GOVERNOR	1	1						
40	3	26106-060122	BOLT, M6X 12 PLATED	1	1						
41	3	22272-000040	RING, E- 4	1	1						
43	3	121850-61600	SPRING, FUEL CONTROL	1	1						
44	2	119000-61630	SHIM SET	1	1						
50	2	148616-61650	SEAL, VC081404	1	1						
51	2	119100-61771	LEVER ASSY, STOP	1	1						
54	3	22351-030016	PIN, SPRING 3.0X16	1	1						
55	2	119000-61841	BUSH	1	1						
56	2	119100-61860	SPRING, RETURN	1	1						
57	2	121855-61910	BOLT, LIMITER	1	1						
58	2	129100-61930	NUT, CAP	1	1						
59	2	22117-050000	WASHER, 5	4	4						
60	2	22137-080000	WASHER, 8	1	1						
61	2	22217-050000	WASHER, SPRING 5	4	4						
62	2	22217-060000	WASHER, SPRING 6	1	1						
63	2	22217-100000	WASHER, SPRING 10	1	1						
64	2	22272-000040	RING, E- 4	2	2						
65	2	22272-000080	RING, E- 8	2	2						
66	2	22351-030016	PIN, SPRING 3.0X16	1	1						
67	2	22351-030025	PIN, SPRING 3.0X25	1	1						
68	2	22351-050020	PIN, SPRING 5.0X20	2	2						
69	2	22360-050000	SNAP PIN 5	1	1						
70	2	22417-120120	PIN, COTTER 1.2X12	1	1						
71	2	22451-100000	WIRE, 1.0	2	2						
72	2	22492-060362	PIN, B6X36	1	1						
73	2	23887-160002	PLUG, 16	1	1						
74	2	24311-000110	O-RING, 1AP11.0	1	1						
75	2	24341-000080	O-RING, 1AS8.0	2	2						

Fig.13. GOVERNOR

(A)=4TN100L-NC  
 (B)=4TN100TL-NC  
 (C)=4T112TL-NC

(D)=  
 (E)=  
 (F)=

719140-51320  
 719141-51320



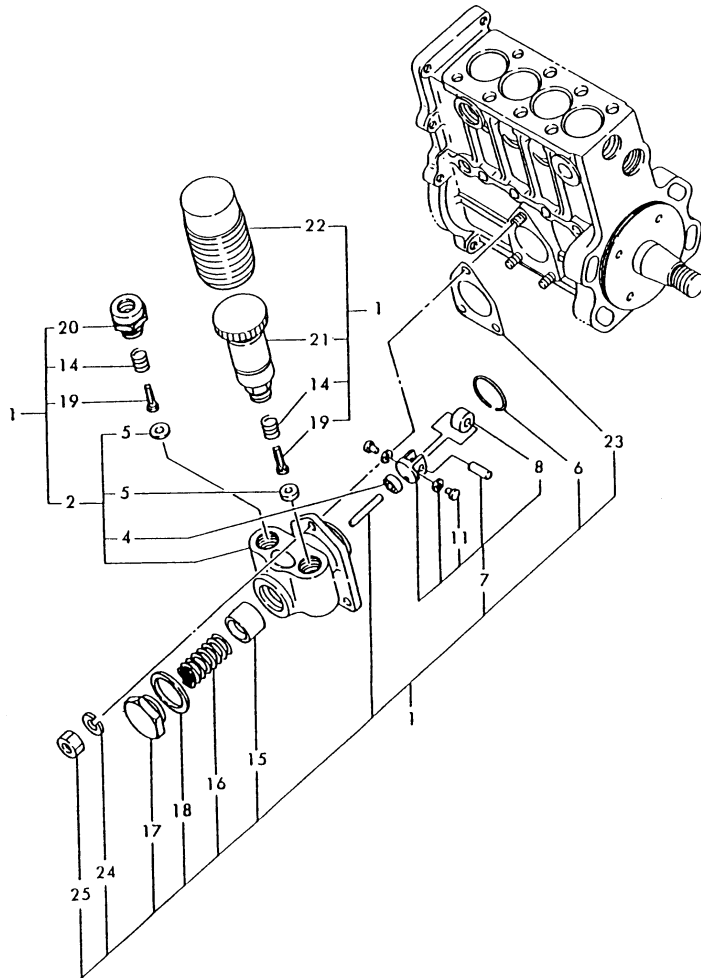
No.	Lev.	Parts No.	Description	Q'ty						I	R
				(A)	(B)	(C)	(D)	(E)	(F)		
76	2	26106-060222	BOLT, M6X 22 PLATED	6	6						
77	2	26106-060352	BOLT, M6X 35 PLATED	1	1						
78	2	26116-050102	BOLT, M5X 10 PLATED	3	3						
79	2	26116-060356	BOLT, M6X 35 PLATED	1	1						
80	2	26376-120002	NUT, M12	1	1						
81	2	26736-100002	NUT, M10	1	1						
82	2	26757-080002	NUT, LOCK M8	1	1						
83	2	26777-120002	NUT, LOCK M12	1	1						
84	2	43400-500450	SEAL WASHER 12S	2	2						
85	2	43400-500500	SEAL WASHER 16	1	1						
86	1	119100-61440	LEVER, GOVERNOR	1	1						
87	1	120323-61470	BOLT, CONTROL	1	1						
88	1	121875-61551	ANGLEICH ASSY			1					
112	1	171091-61550	ANGLEICH ASSY	1							
136	1	119000-61700	SPRING, GOVERNOR	1							
137	1	119032-61700	SPRING, GOVERNOR		1						

Fig.14. FEED PUMP

(A)=4TN100L-NC  
 (B)=4TN100TL-NC  
 (C)=4T112TL-NC

(D)=  
 (E)=  
 (F)=

719140-51320  
 719141-51320



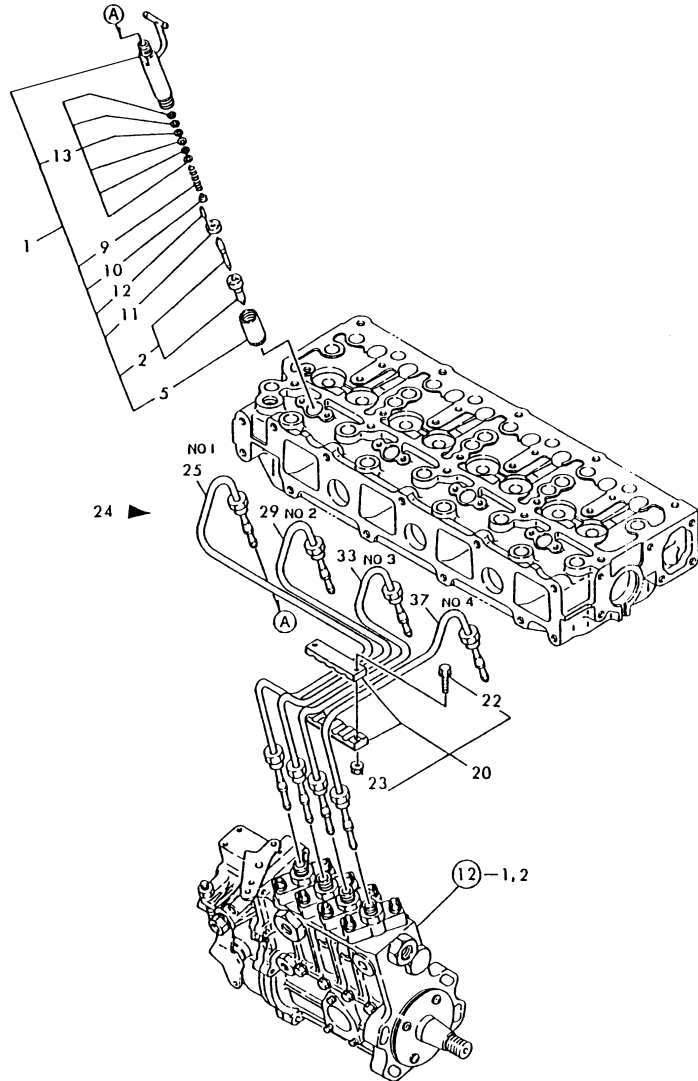
No.	Lev.	Parts No.	Description	Q'ty						I	R
				(A)	(B)	(C)	(D)	(E)	(F)		
1	1	119000-52000	PUMP ASSY, FUEL FEED	1	1						
2	2	121820-52020	BODY ASSY, PUMP	1	1						
4	3	121820-52040	SEAL, OIL	1	1						
5	3	121820-52050	GASKET	2	2						
6	2	121820-52070	PIN	1	1						
7	2	119000-52100	TAPPET ASSY	1	1						
8	3	121820-52110	ROLLER	1	1						
11	3	121820-52140	RETAINER	2	2						
14	2	121820-52510	SPRING, VALVE	2	2						
15	2	121820-52170	PISTON	1	1						
16	2	121820-52180	SPRING, VALVE	1	1						
17	2	121820-52190	RETAINER, SPRING	1	1						
18	2	121820-52200	GASKET, 25	1	1						
19	2	121820-52210	VALVE	2	2						
20	2	121820-52230	RETAINER, SPRING	1	1						
21	2	121820-52300	PUMP, PRIMING	1	1						
22	2	121820-52400	COVER	1	1						
23	2	124410-51861	GASKET	1	1						
24	2	22217-060000	WASHER, SPRING 6	3	3						
25	2	26716-060002	NUT, M6	3	3						

Fig.15. FUEL INJECTION VALVE & PIPES

(A)=4TN100L-NC  
 (B)=4TN100TL-NC  
 (C)=4T112TL-NC

(D)=  
 (E)=  
 (F)=

019000-53100  
 019100-59100



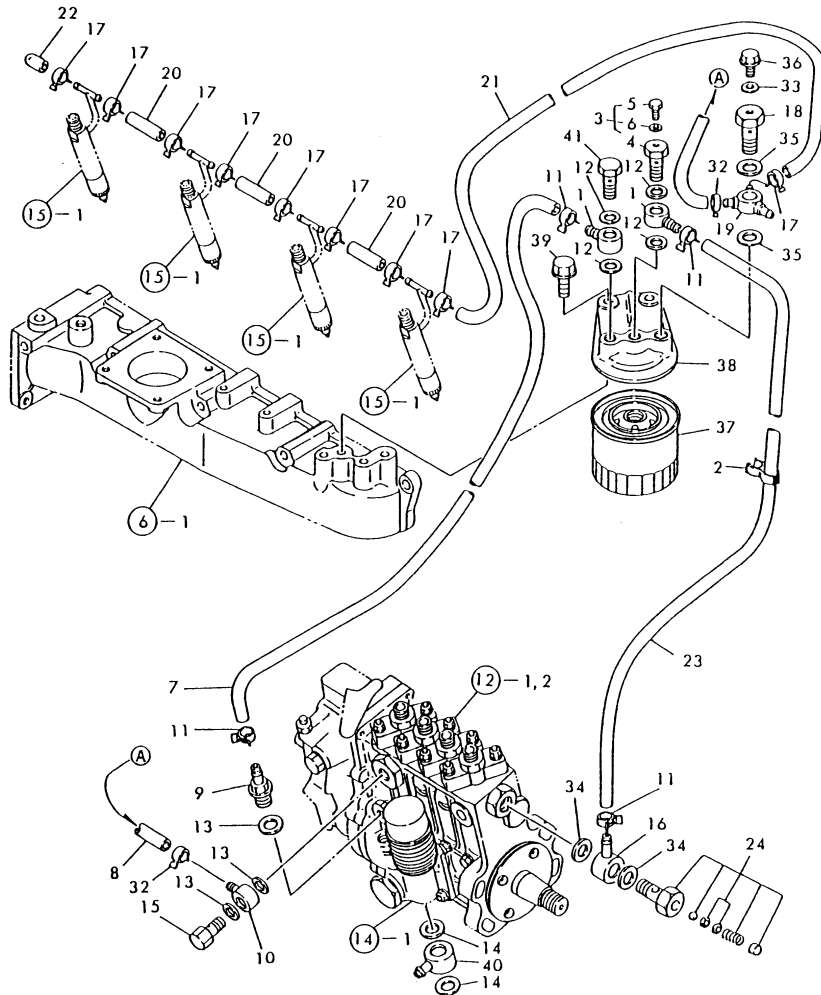
No.	Lev.	Parts No.	Description	Q'ty						I	R
				(A)	(B)	(C)	(D)	(E)	(F)		
1	1	719129-53100	VALVE ASSY,INJECTION	4	4						
2	2	119000-53000	VALVE ASSY,INJECTION	4	4						
5	2	114250-53080	NUT, NOZZLE D16.95	4	4						
9	2	114250-53120	SPRING, NOZZLE	4	4						
10	2	114250-53130	SEAT, SPRING	4	4						
11	2	114250-53140	PLATE	4	4						
12	2	114250-53210	PIN	8	8						
13	2	114250-53400	SHIM SET	4	4						
20	1	123472-59090	RETAINER ASSY	1	1						
22	2	26106-060202	BOLT, M6X 20 PLATED	2	2						
23	2	26366-060002	NUT, M6	2	2						
25	2	119100-59810	PIPE ASSY, INJECTION	1	1						
29	2	119100-59820	PIPE ASSY, INJECTION	1	1						
33	2	119100-59830	PIPE ASSY, INJECTION	1	1						
37	2	119100-59840	PIPE ASSY, INJECTION	1	1						

Fig.16. FUEL OIL PIPES

(A)=4TN100L-NC  
 (B)=4TN100TL-NC  
 (C)=4T112TL-NC

(D)=  
 (E)=  
 (F)=

019000-55100  
 019140-59220  
 019100-59300



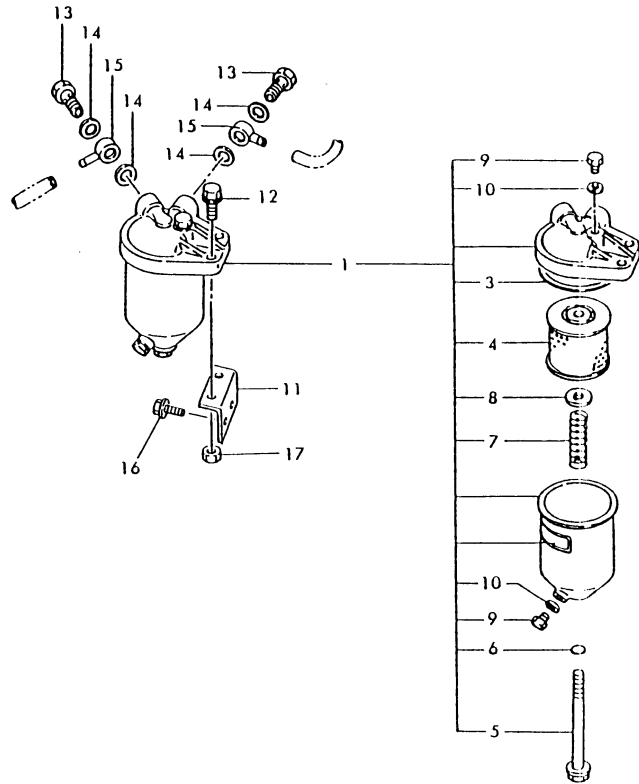
No.	Lev.	Parts No.	Description	Q'ty						I	R
				(A)	(B)	(C)	(D)	(E)	(F)		
1	1	101304-59020	JOINT, PIPE 12	2	2						
2	1	121855-59111	CLAMP, PIPE 610	2	2						
3	1	103854-59191	BOLT ASSY, JOINT M12	1	1						
4	2	103854-59201	BOLT, PIPE JOINT M12	1	1						
5	2	124060-59380	PLUG, 6	1	1						
6	2	43400-500390	SEAL WASHER 6S	1	1						
7	1	105025-59530	PIPE, FUEL D13X400	1	1						
8	1	105025-59760	PIPE, FUEL	1	1						
9	1	121250-49110	JOINT, PIPE	1	1						
10	1	121855-59880	JOINT, PIPE	1	1						
11	1	23000-013000	CLAMP, 13	4	4						
12	1	23414-120000	GASKET, 12X1.0	4	4						
13	1	23414-140000	GASKET, 14X1.0	3	3						
14	1	23414-140000	GASKET, 14X1.0	2	2						
15	1	23857-080000	BOLT, JOINT 8	1	1						
16	1	101304-59020	JOINT, PIPE 12	1	1						
17	1	124066-59100	CLIP, HOSE 8	9	9						
18	1	129495-59300	BOLT, PIPE JOINT	1	1						
19	1	129470-59530	JOINT, PIPE	1	1						
20	1	119000-59550	PIPE, FUEL RETURN	3	3						
21	1	119000-59560	PIPE, FUEL RETURN	1	1						
22	1	129150-59580	CAP	1	1						
23	1	129255-59580	PIPE, FUEL	1	1						
24	1	129100-59951	VALVE ASSY, CHECK	1	1						
32	1	23000-013000	CLAMP, 13	2	2						
33	1	23414-080000	GASKET, 8X1.0	1	1						
34	1	23414-120000	GASKET, 12X1.0	2	2						
35	1	23414-140000	GASKET, 14X1.0	2	2						
36	1	26106-080102	BOLT, M8X 10 PLATED	1	1						
37	1	119000-55600	FILTER, FUEL	1	1						
38	1	129470-55610	BODY, STRAINER	1	1						
39	1	26106-100252	BOLT, M10X 25 PLATED	2	2						
40	1	171090-59420	PIPE	1	1						
41	1	23857-060000	BOLT, JOINT 6	1	1						

Fig.17. SEPARATOR

(A)=4TN100L-NC  
 (B)=4TN100TL-NC  
 (C)=4T112TL-NC

(D)=  
 (E)=  
 (F)=

019140-93110  
 019141-93110



No.	Lev.	Parts No.	Description	Q'ty						I	R
				(A)	(B)	(C)	(D)	(E)	(F)		
1	1	43623-500030	SEPARATOR	1	1						
3	2	123325-35140	GASKET	1	1						
4	2	42430-550060	ELEMENT, FUEL OIL	1	1						
5	2	123325-35110	BOLT	1	1						
6	2	24311-000120	O-RING, 1AP12.0	1	1						
7	2	123678-55790	SPRING, SET	1	1						
8	2	123678-55860	SEAT, SPRING D30/16	1	1						
9	2	23887-080002	PLUG 8	2	2						
10	2	23414-080000	GASKET, 8X1.0	2	2						
11	1	123672-55811	BRACKET	1	1						
12	1	26106-100302	BOLT, M10X 30 PLATED	2	2						
13	1	23857-080000	BOLT, JOINT 8	2	2						
14	1	43400-500470	SEAL WASHER 14S	4	4						
15	1	171090-59420	PIPE	2	2						
16	1	26106-080162	BOLT, M8X 16 PLATED	2	2						
17	1	26706-100002	NUT, M10	2	2						



Fig.18. ENGINE STOP DEVICE

(A)=4TN100L-NC  
 (B)=4TN100TL-NC  
 (C)=4T112TL-NC

(D)=  
 (E)=  
 (F)=

D19140-66100  
 D19140-93110  
 D19141-93110

No.	Lev.	Parts No.	Description	Q'ty						I	R
				(A)	(B)	(C)	(D)	(E)	(F)		
1	1	119140-66500	BRACKET	1	1						
2	1	124610-66510	LEVER	1	1						
3	1	26013-060122	BOLT, M6X 12	2	2						
4	1	26106-080142	BOLT, M8X 14 PLATED	2	2						
5	1	26366-060002	NUT, M6	2	2						
6	1	124411-67830	STOPPER ASSY	1	1						
7	1	106500-44870	STOPPER	1	1						
8	1	26117-040088	BOLT M 4X 8 PLATED	1	1						

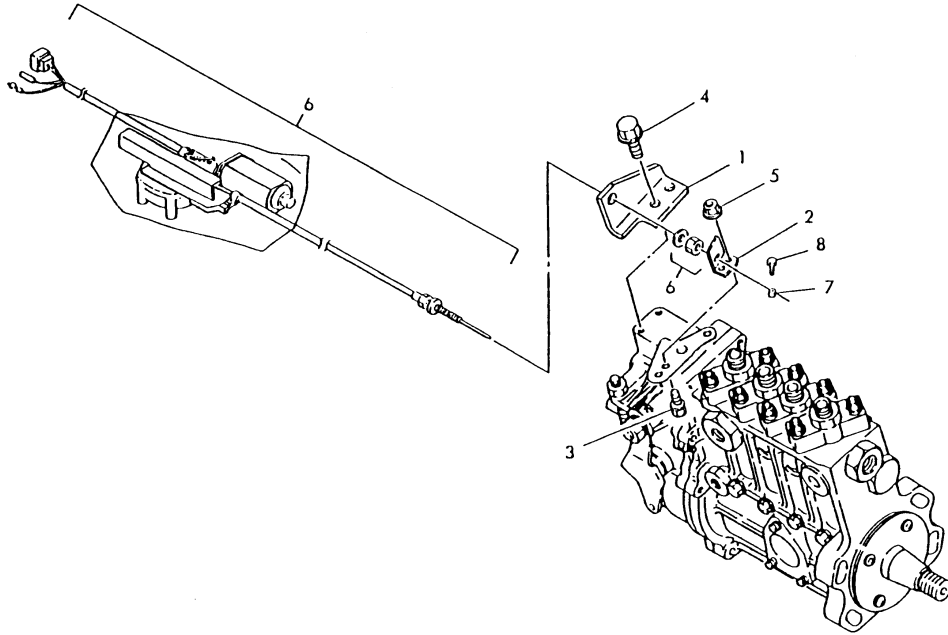
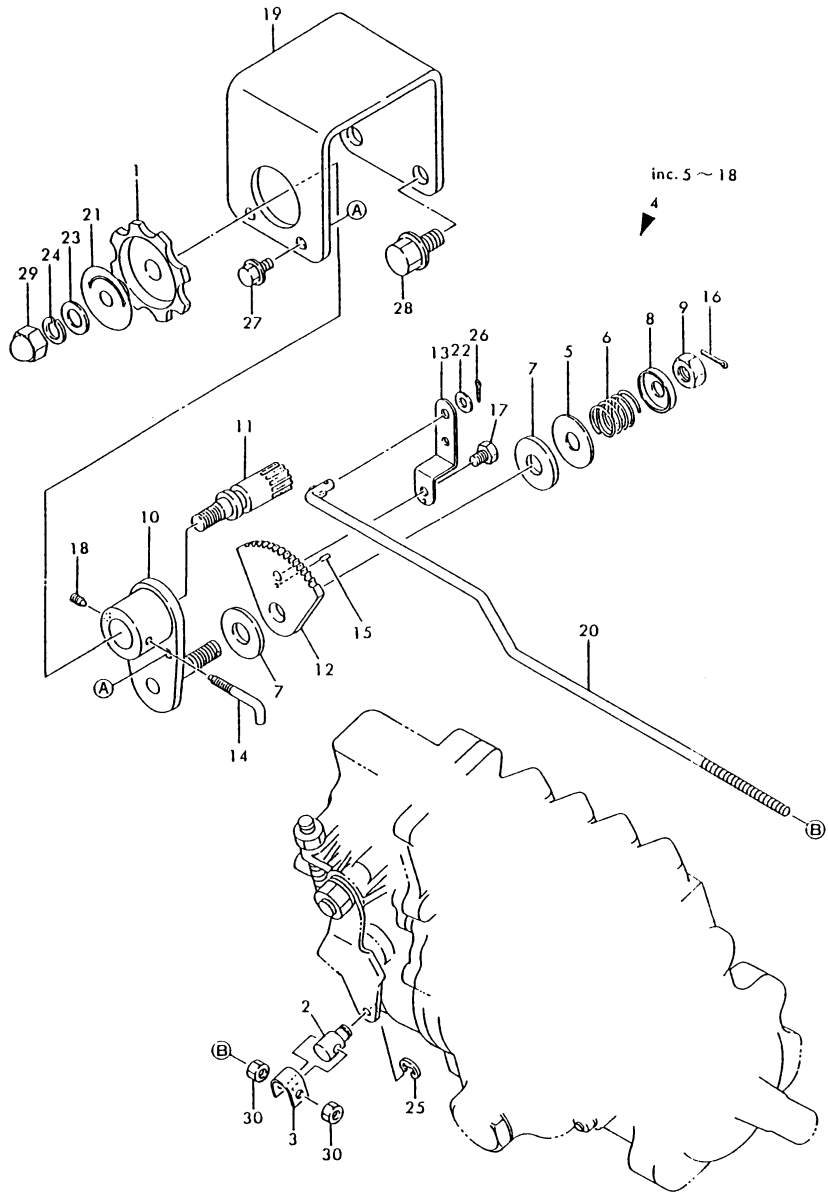


Fig.19. REGURATOR

(A)=4TN100L-NC  
 (B)=4TN100TL-NC  
 (C)=4T112TL-NC

(D)=  
 (E)=  
 (F)=



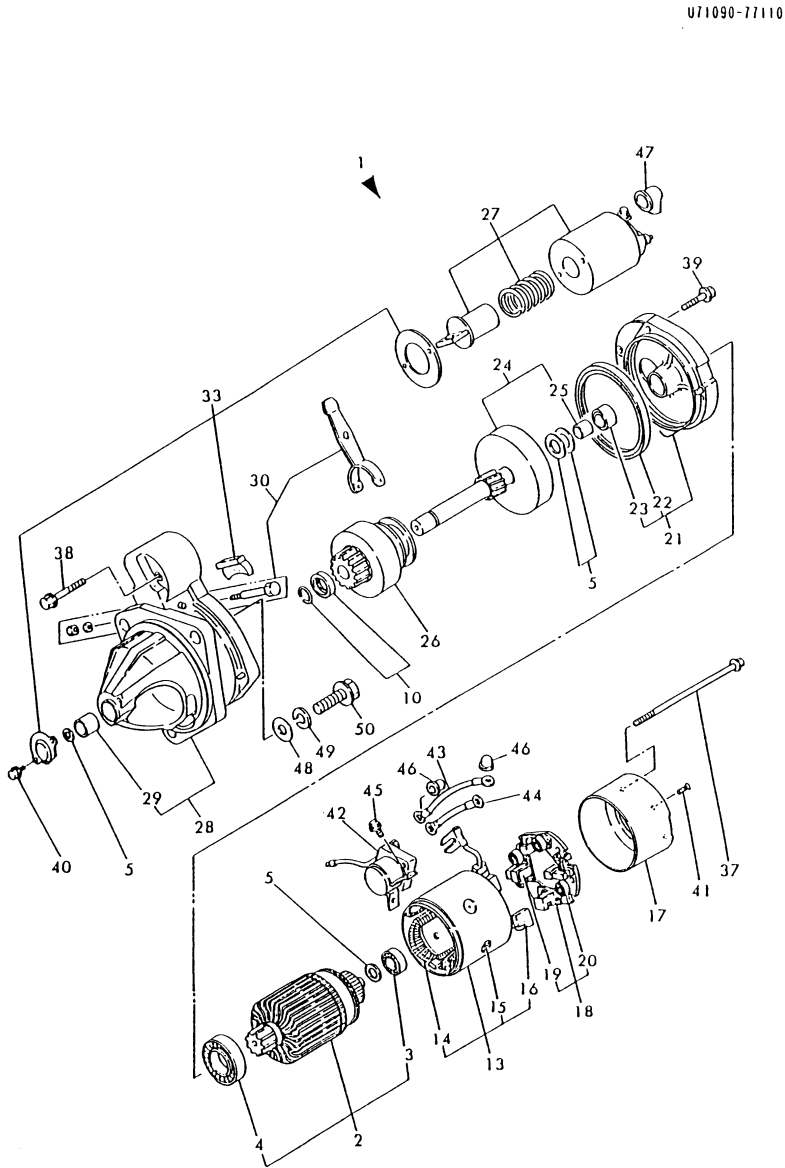
619140-67110

No.	Lev.	Parts No.	Description	Q'ty						I	R
				(A)	(B)	(C)	(D)	(E)	(F)		
1	1	126650-66020	HANDLE, REGULATOR	1	1						
2	1	119888-66130	PIVOT	1	1						
3	1	121400-66170	WASHER	1	1						
4	1	171048-67010	CONTROLLER ASSY	1	1						
5	2	171102-66080	WASHER	1	1						
6	2	104200-66820	SPRING	1	1						
7	2	104200-66830	PLATE, FRICTION	2	2						
8	2	104200-66850	WASHER	1	1						
9	2	104200-66860	NUT	1	1						
10	2	171085-67100	BRACKET	1	1						
11	2	171085-67110	SHAFT, DRIVE	1	1						
12	2	171085-67120	GEAR	1	1						
13	2	171048-67130	LEVER	1	1						
14	2	171048-67140	STOPPER	1	1						
15	2	22351-020006	PIN, SPRING 2.0X 6	1	1						
16	2	22411-200150	COTTER PIN	1	1						
17	2	26116-060082	BOLT, M6X 8 PLATED	1	1						
18	2	26921-050122	SCREW, M5X12	1	1						
19	1	170064-67100	BRACKET	1	1						
20	1	119141-67200	ROD	1	1						
21	1	170064-67210	LABEL, HANDLE	1	1						
22	1	22117-050000	WASHER, 5	1	1						
23	1	22117-100000	WASHER, 10	1	1						
24	1	22217-100000	WASHER, SPRING 10	1	1						
25	1	22272-000050	RING, E- 5	1	1						
26	1	22417-200120	COTTER PIN 2.0X12	1	1						
27	1	26106-060102	BOLT, M6X 10 PLATED	2	2						
28	1	26106-100142	BOLT, M10X 14 PLATED	2	2						
29	1	26657-100002	NUT, CAP M10	1	1						
30	1	26757-050002	NUT, LOCK M5	2	2						

Fig.20. STARTING MOTOR

(A)=4TN100L-NC  
(B)=4TN100TL-NC  
(C)=4T112TL-NC

(D)=  
(E)=  
(F)=



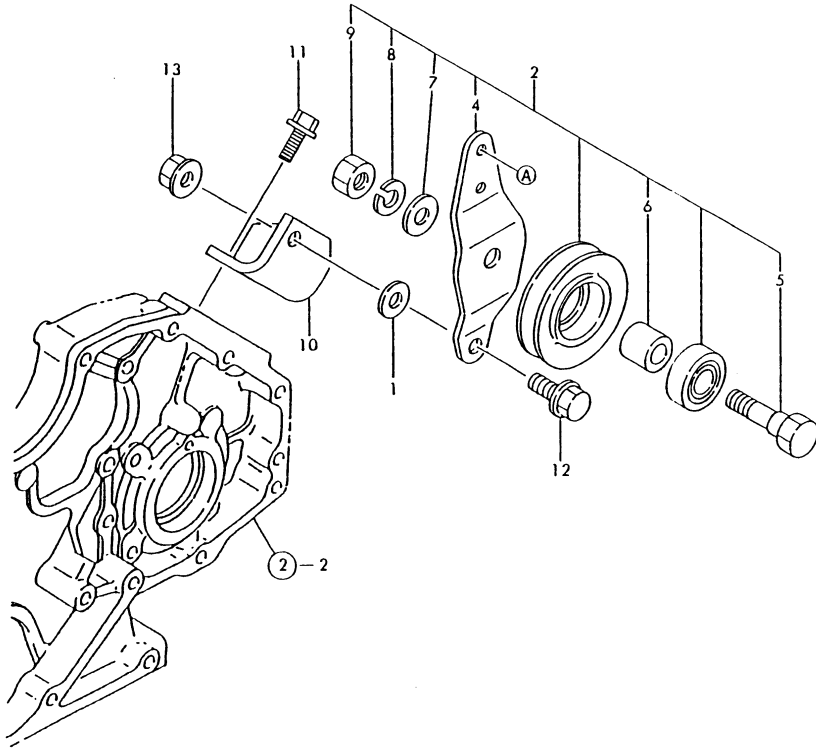
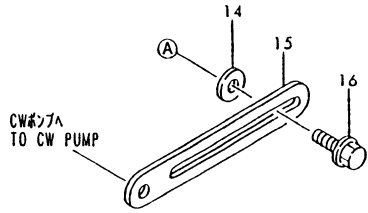
No.	Lev.	Parts No.	Description	Qty						I	R
				(A)	(B)	(C)	(D)	(E)	(F)		
1	1	124617-77010	STARTER, 24V-4KW	1	1						
2	2	119129-77400	ARMATURE ASSY	1	1						
3	3	121254-77410	BALL BEARING	1	1						
4	3	121254-77420	BALL BEARING	1	1						
5	2	121254-77430	WASHER KIT, THRUST	1	1						
10	2	119129-77670	STOPPER SET, PINION	1	1						
13	2	121254-77510	YORK ASSY	1	1						
14	3	119129-77440	COIL ASSY, FIELD	1	1						
15	3	121254-77530	SCREW, POLE CORE	4	4						
16	3	119129-77460	BRUSH(+)	2	2						
17	2	119129-77530	COVER, REAR	1	1						
18	2	119129-77470	HOLDER ASSY, BRUSH	1	1						
19	3	119129-77480	BRUSH(-)	2	2						
20	3	121254-77590	SPRING	4	4						
21	2	121254-77600	BEARING ASSY, CENTER	1	1						
22	3	119129-77210	SEAL, OIL	1	1						
23	3	119129-77220	BEARING, NEEDLE	1	1						
24	2	121254-77610	SEAL, OIL	1	1						
25	3	121254-77650	INNER	1	1						
26	2	119129-77630	PINION ASSY	1	1						
27	2	119129-77640	SWITCH ASSY,MAGNETIC	1	1						
28	2	119129-77650	CASE ASSY, GEAR	1	1						
29	3	119129-77660	BEARING, METAL	1	1						
30	2	121254-77700	LEVER SET, SHIFT	1	1						
33	2	121254-77730	DUST COVER SET	1	1						
37	2	121254-77770	BOLT, THROUGH	2	2						
38	2	26106-060452	BOLT, M6X 45 PLATED	2	2						
39	2	26106-060302	BOLT, M6X 30 PLATED	3	3						
40	2	26450-050122	BOLT, M5X 12	2	2						
41	2	26557-040122	SCREW, M4X12	2	2						
42	2	119129-77700	RELAY, STARTER	1	1						
43	2	119129-77710	WIRE-HARNESS	1	1						
44	2	119129-77720	WIRE-HARNESS	1	1						
45	2	26116-050082	BOLT, M5X 8 PLATED	2	2						
46	2	119129-77740	COVER, TERMINAL	3	3						
47	2	121254-77810	COVER, TERMINAL	1	1						
48	1	22137-120000	WASHER, 12	3	3						
49	1	22217-120000	WASHER, SPRING 12	3	3						
50	1	26116-120352	BOLT, M12X 35 PLATED	3	3						

Fig.21. TENSION PULLEY

(A)=4TN100L-NC  
 (B)=4TN100TL-NC  
 (C)=4T112TL-NC

(D)=  
 (E)=  
 (F)=

D24595-77200  
 D19100-77300



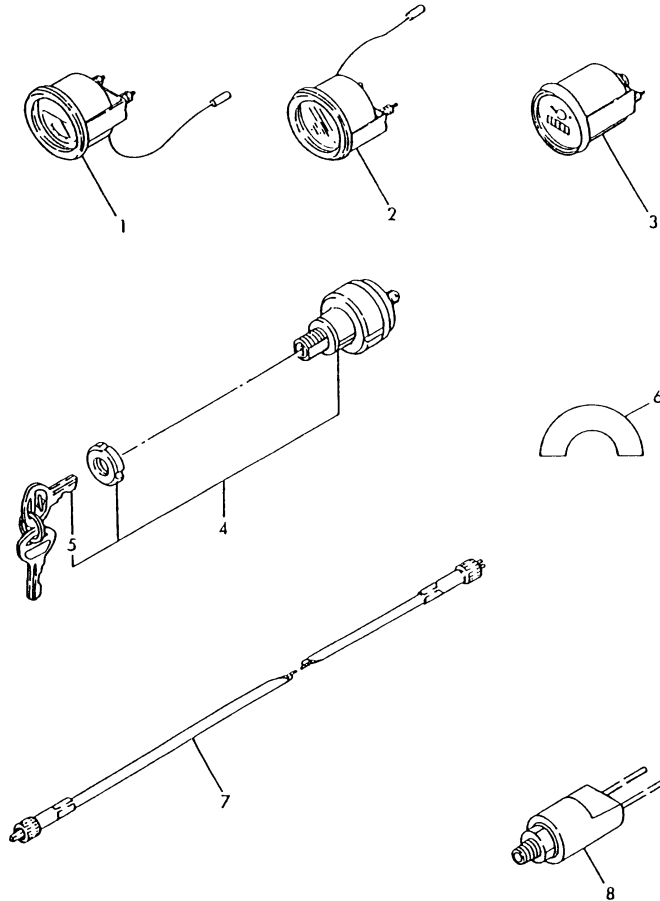
No.	Lev.	Parts No.	Description	Q'ty						I	R
				(A)	(B)	(C)	(D)	(E)	(F)		
1	1	121575-21850	WASHER	1	1						
2	1	171325-44290	PULLEY ASSY, TENSION	1	1						
4	2	171325-44300	BRACKET, PULLEY	1	1						
5	2	171325-44310	BOLT	1	1						
6	2	171325-44320	SPACER	1	1						
7	2	22127-120000	WASHER, 12	1	1						
8	2	22217-120000	WASHER, SPRING 12	1	1						
9	2	26716-120002	NUT, M12	1	1						
10	1	119000-77340	BRACKET	1	1						
11	1	26106-080202	BOLT, M8X 20 PLATED	2	2						
12	1	26106-100252	BOLT, M10X 25 PLATED	1	1						
13	1	26366-100002	NUT, M10	1	1						
14	1	106100-55800	WASHER	1	1						
15	1	121522-77330	ADJUSTER	1	1						
16	1	26106-080202	BOLT, M8X 20 PLATED	2	2						

Fig.22. ELECTRIC PARTS

(A)=4TN100L-NC  
 (B)=4TN100TL-NC  
 (C)=4T112TL-NC

(D)=  
 (E)=  
 (F)=

019140-93110  
 019141-93110

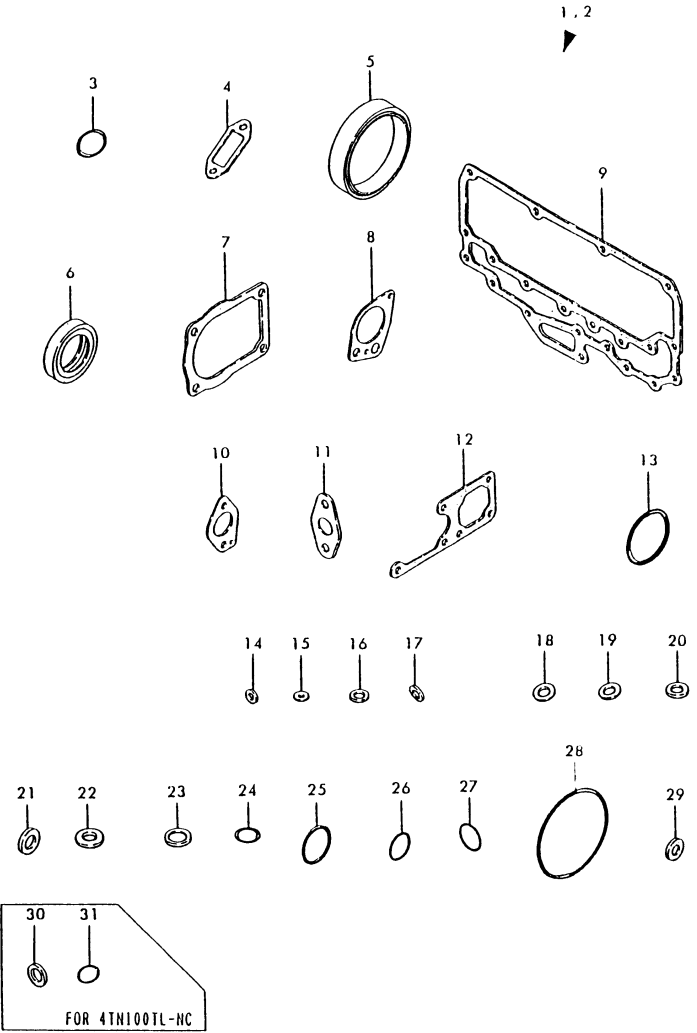


No.	Lev.	Parts No.	Description	Q'ty						I	R
				(A)	(B)	(C)	(D)	(E)	(F)		
1	1	46150-502340	THERMOMETER, WATER	1	1						
2	1	46150-006261	PRESS. GAUGE	1	1						
3	1	171014-91101	TACHOMETER	1	1						
4	1	121400-91251	SWITCH, STARTER	1	1						
5	2	121400-91271	KEY, SWITCH	1	1						
6	1	171085-91610	LABEL	1	1						
7	1	42130-502220	CABLE, TACHOMETER	1	1						
8	1	46111-500600	SWITCH	1	1						

Fig.23. GASKET SET(CYLINDER BLOCK)

(A)=4TN100L-NC  
(B)=4TN100TL-NC  
(C)=4T112TL-NC

(D)=  
(E)=  
(F)=



No.	Lev.	Parts No.	Description	Q'ty						I	R
				(A)	(B)	(C)	(D)	(E)	(F)		
1	1	719140-92600	GASKET SET, BLOCK	1							1
2	1	719141-92600	GASKET SET, BLOCK		1						1
3	2	121420-01760	O-RING	1	1						
4	2	119000-01771	GASKET	1	1						
5	2	124411-01780	SEAL, HTC95X115X12	1	1						
6	2	121850-01800	SEAL, OIL	1	1						
7	2	124610-01862	GASKET	2	2						
8	2	119000-32020	GASKET, PUMP	1	1						
9	2	119000-33021	GASKET	1	1						
10	2	119000-33041	GASKET	1	1						
11	2	121952-33071	GASKET, COOLER	2	2						
12	2	119000-42021	GASKET, WATER PUMP	1	1						
13	2	124410-51960	O-RING	1	1						
14	2	23414-080000	GASKET, 8X1.0	2	2						
15	2	23414-080000	GASKET, 8X1.0	1	1						
16	2	23414-120000	GASKET, 12X1.0	4	4						
17	2	23414-120000	GASKET, 12X1.0	2	2						
18	2	23414-140000	GASKET, 14X1.0	3	3						
19	2	23414-140000	GASKET, 14X1.0	2	2						
20	2	23414-140000	GASKET, 14X1.0	2	2						
21	2	23414-160000	GASKET, 16X1.0	1	1						
22	2	43400-500390	SEAL WASHER 6S	1	1						
23	2	23414-180000	GASKET, 18X1.0	2	2						
24	2	24311-000220	O-RING, 1AP22.0	1	1						
25	2	24311-000360	O-RING, 1AP36.0	1	1						
26	2	24341-000240	O-RING, 1AS24.0	1	1						
27	2	24341-000240	O-RING, 1AS24.0	1	1						
28	2	24341-001350	O-RING, 1AS135.0	1	1						
29	2	43400-500420	SEAL WASHER 8	1	1						
30	2	23414-100000	GASKET, 10X1.0		4						
31	2	24314-000180	O-RING, 4CP18.0		1						

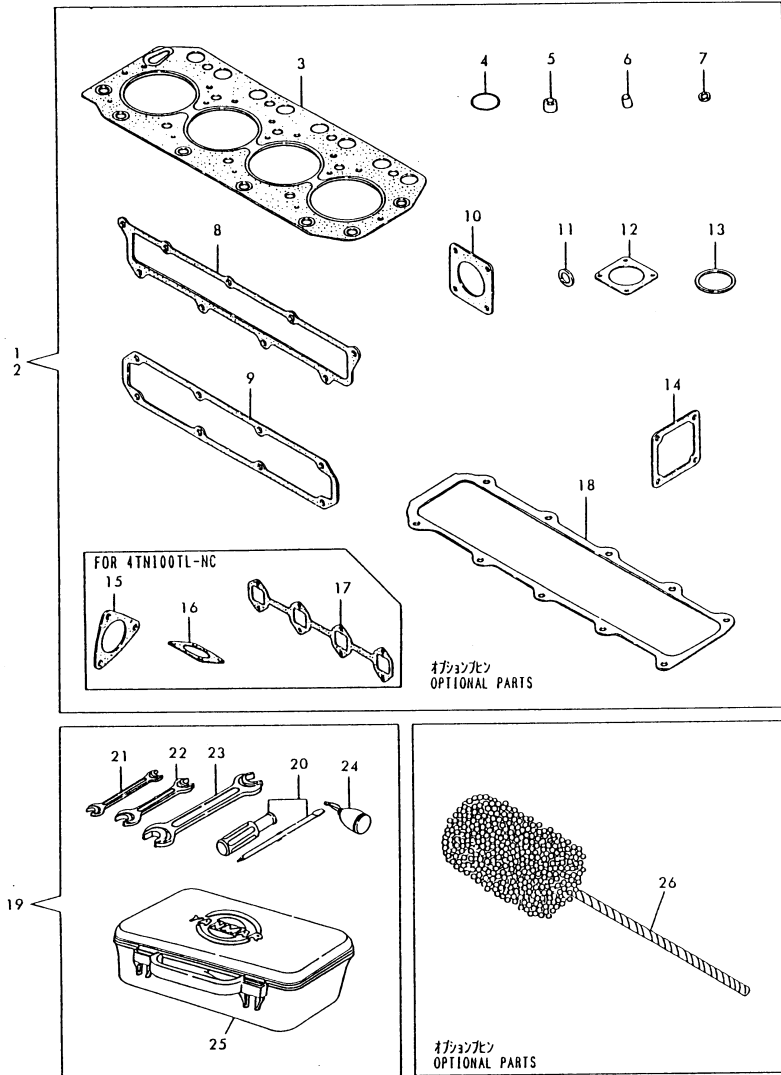
Remarks  
(1) OPTIONAL PART.

Fig.24. GASKET SET(CYLINDER HEAD)&TOOL

(A)=4TN100L-NC  
(B)=4TN100TL-NC  
(C)=4T112TL-NC

(D)=  
(E)=  
(F)=

D19140-93110  
D19141-93110



No.	Lev.	Parts No.	Description	Q'ty						I	R
				(A)	(B)	(C)	(D)	(E)	(F)		
1	1	719140-99021	GASKET SET, HEAD	1							1
2	1	719141-99021	GASKET SET, HEAD		1						1
3	2	119100-01340	GASKET, HEAD T=1.3	1	1						
4	2	121420-01760	O-RING	1	1						
5	2	121850-11150	SEAL, VALVE STEM	8	8						
6	2	119625-11870	PROTECTOR, NOZZLE	4	4						
7	2	119625-11880	SEAT, NOZZLE	4	4						
8	2	119100-12112	GASKET, MANIFOLD	1	1						
9	2	119100-13200	GASKET	1							
10	2	129400-13201	GASKET, SILENCER	1							
11	2	124465-44950	GASKET, 16	2	2						
12	2	121850-49540	GASKET, THERMOSTAT	1	1						
13	2	121850-49550	GASKET, THERMOSTAT	1	1						
14	2	121850-77021	GASKET	1							
15	2	129792-13520	GASKET		1						
16	2	129792-18090	GASKET		1						
17	2	119101-13200	GASKET		1						
18	2	119100-11360	GASKET, BONNET	1	1						
19	1	171001-93100	BOX, TOOL	1	1						
20	2	104200-92350	DRIVER, SCREW	1	1						
21	2	28110-100120	SPANNER, 10X12	1	1						
22	2	28110-140170	SPANNER, 14X17	1	1						
23	2	28110-190220	SPANNER, 19X22	1	1						
24	2	28210-000140	OILER	1	1						
25	2	104200-92600	BOX, TOOL	1	1						
26	1	129400-92420	HONE	1	1						1

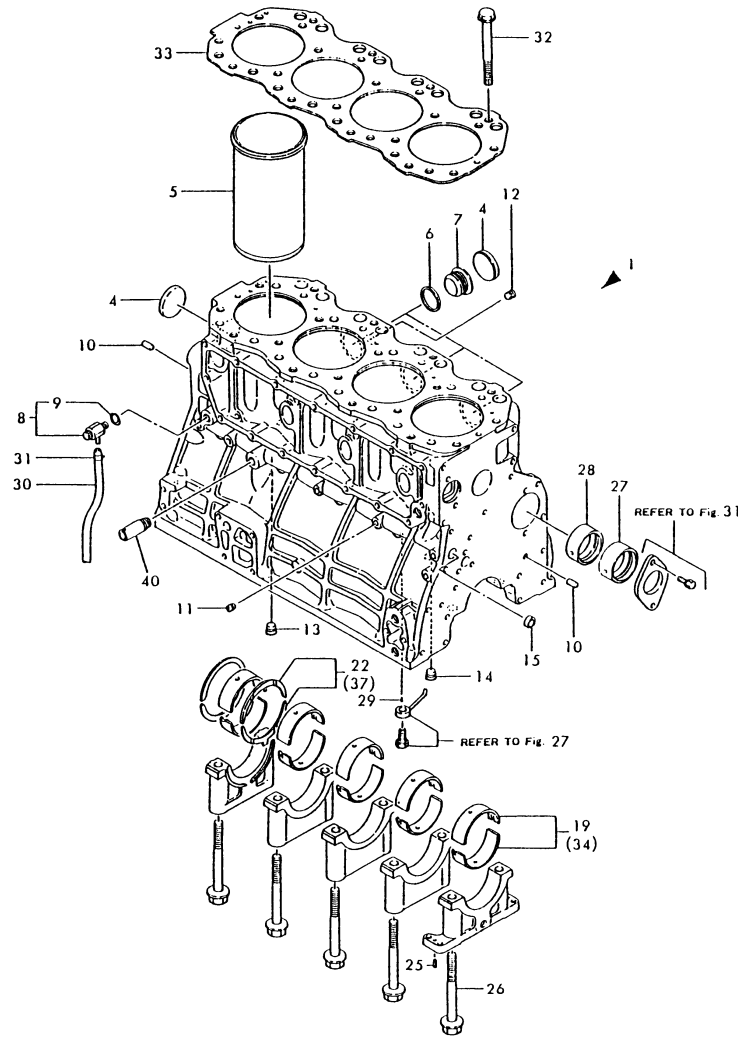
Remarks  
(1) OPTIONAL PART.

Fig.25. CYLINDER BLOCK

(A)=4TN100L-NC  
 (B)=4TN100TL-NC  
 (C)=4T112TL-NC

(D)=  
 (E)=  
 (F)=

023650-01100  
 023500-02100  
 023500-02200  
 023500-39200



No.	Lev.	Parts No.	Description	Qty						I	R
				(A)	(B)	(C)	(D)	(E)	(F)		
1	1	723500-01560	BLOCK ASSY, CYLINDER			1					
4	3	27241-500000	PLUG, 50			5					
5	2	123500-01100	LINER, CYLINDER			4					
6	2	123372-11760	GASKET			3					
7	2	145610-11890	PLUG			3					
8	2	120130-49350	COCK, 1/4			1					
9	3	24311-000050	O-RING, 1AP5.0			1					
10	2	22312-080160	PIN, PARALLEL M8X16			2					
11	2	23871-010000	PLUG, R01			4					
12	2	23871-030000	PLUG, R03			1					
13	2	23871-030000	PLUG, R03			1					
14	2	23871-040000	PLUG, R04			1					
15	2	27241-200000	PLUG, 20			2					
19	2	723500-02800	BEARING, MAIN			5					
22	2	723500-02930	BEARING, THRUST			2					
25	2	22351-040010	PIN, SPRING 4.0X10			2					
26	2	127610-02070	BOLT, METAL CAP			10					
27	2	144626-02400	BUSH, CAMSHAFT			1					
28	2	128610-02420	BUSH, CAMSHAFT			2					
29	2	22312-030080	PIN, PARALLEL M3X 8			4					
30	1	124738-49150	PIPE, DRAIN L=300			1					
31	1	124766-59050	CLIP, HOSE 12			1					
32	1	127610-01210	BOLT, HEAD			18					
33	1	123500-01330	GASKET, HEAD			1					
34	1	123500-02870	BEARING, 0.25 US			5					1
37	1	123500-02940	BEARING, THRUST 0.25			2					2
40	1	104407-44480	JOINT			1					

Remarks

- (1) UNDER-SIZE(U.S=0.25) PART.
- (2) OVER-SIZE(O.S=0.25) PART.

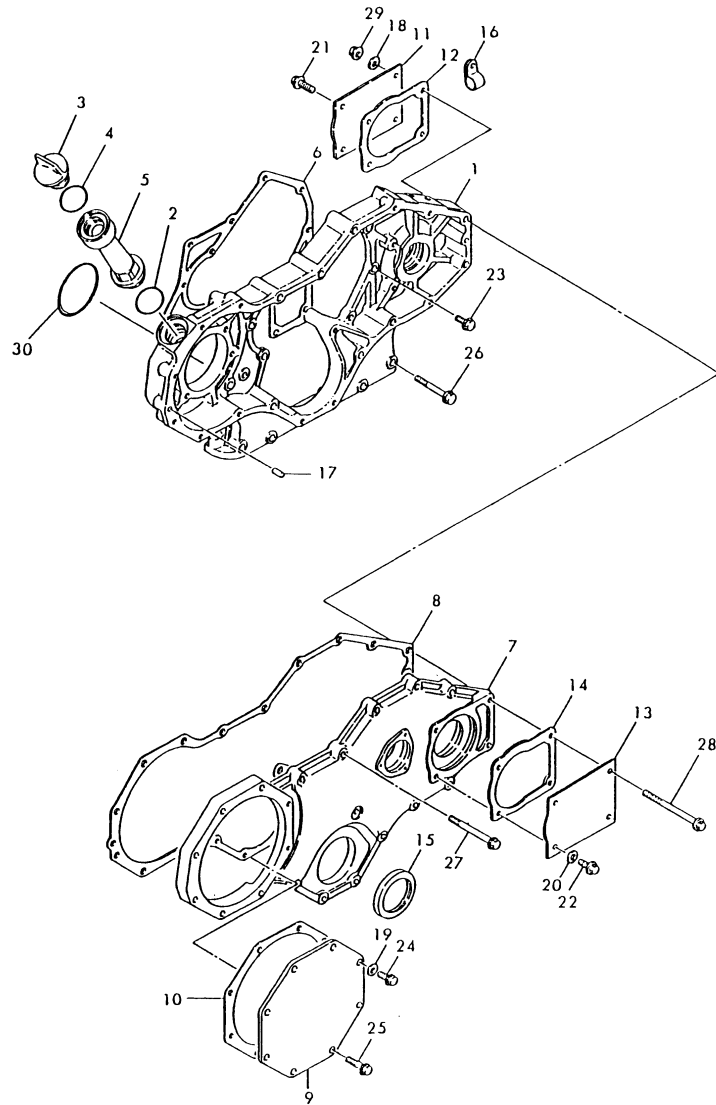


Fig.26. GEAR HOUSING

(A)=4TN100L-NC  
 (B)=4TN100TL-NC  
 (C)=4T112TL-NC

(D)=  
 (E)=  
 (F)=

023560-01200  
 023550-01800  
 023550-01850

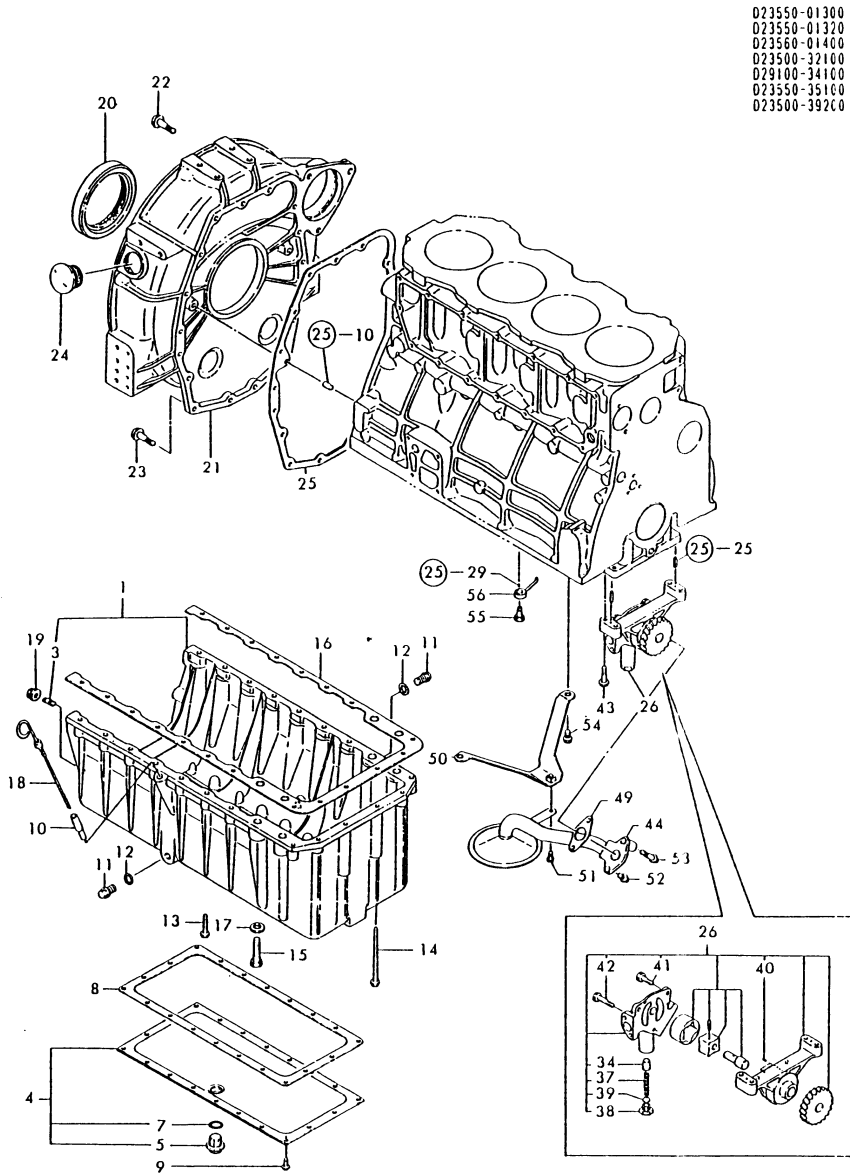


No.	Lev.	Parts No.	Description	Q'ty						I	R
				(A)	(B)	(C)	(D)	(E)	(F)		
1	1	123500-01500	CASE, GEAR			1					
2	1	24321-000350	O-RING, 1AG35.0			1					
3	1	124160-01751	COVER, FILLER			1					
4	1	24321-000350	O-RING, 1AG35.0			1					
5	1	121027-11742	PIPE			1					
6	1	123500-01510	GASKET, GEAR CASE			1					
7	1	123500-01520	COVER, GEAR CASE			1					
8	1	123500-01530	GASKET, GEAR CASE			1					
9	1	123500-01550	COVER			1					
10	1	123500-01560	GASKET			1					
11	1	124610-01851	COVER			1					
12	1	124610-01862	GASKET			1					
13	1	124610-01851	COVER			1					
14	1	124610-01862	GASKET			1					
15	1	123500-01900	SEAL, OIL			1					
16	1	194440-51620	CLAMP			1					
17	1	22312-080160	PIN, PARALLEL M8X16			4					
18	1	43400-500410	SEAL WASHER 8S			2					
19	1	23414-080000	GASKET, 8X1.0			2					
20	1	23414-080012	GASKET, 8X1.0			2					
21	1	26106-080162	BOLT, M8X 16 PLATED			2					
22	1	26106-080162	BOLT, M8X 16 PLATED			2					
23	1	26106-080202	BOLT, M8X 20 PLATED			6					
24	1	26106-080202	BOLT, M8X 20 PLATED			2					
25	1	26106-080352	BOLT, M8X 35 PLATED			12					
26	1	26106-080602	BOLT, M8X 60 PLATED			4					
27	1	26106-080802	BOLT, M8X 80 PLATED			6					
28	1	26106-081002	BOLT, M8X100 PLATED			2					
29	1	26366-080002	NUT, M8			2					
30	1	124410-51960	O-RING			1					

Fig.27. OIL SUMP & LUB. OIL SYSTEM

(A)=4TN100L-NC  
(B)=4TN100TL-NC  
(C)=4T112TL-NC

(D)=  
(E)=  
(F)=



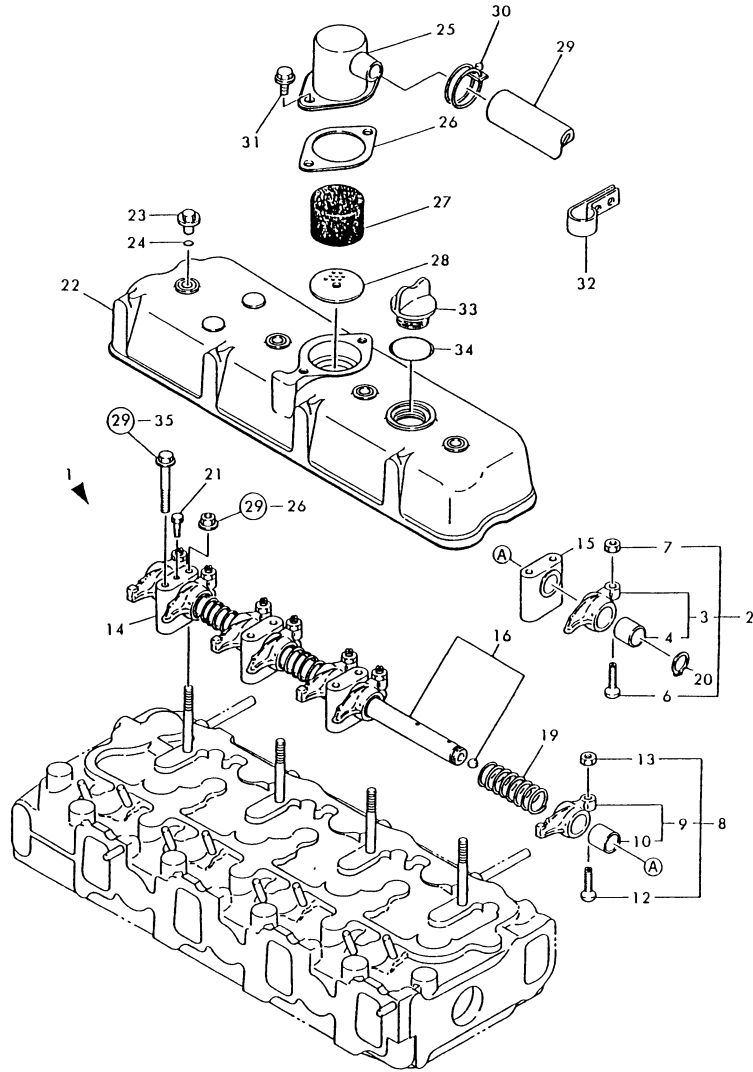
No.	Lev.	Parts No.	Description	Q'ty						I	R
				(A)	(B)	(C)	(D)	(E)	(F)		
1	1	123550-01710	SUMP ASSY, OIL			1					
3	2	26216-100252	STUD, M10X 25			1					
4	1	123500-01760	COVER ASSY, OIL SUMP			1					
5	2	105425-01690	PLUG, 16			1					
7	2	43400-500490	SEAL WASHER 16S			1					
8	1	123500-01731	GASKET, OIL SUMP			1					
9	1	26013-080182	BOLT, M8X 18			20					
10	1	121520-34810	GUIDE, DIPSTICK			1					
11	1	105425-01690	PLUG, 16			2					
12	1	43400-500490	SEAL WASHER 16S			2					
13	1	26106-080402	BOLT, M8X 40 PLATED			18					
14	1	26106-081202	BOLT, M8X120 PLATED			2					
15	1	26156-140502	BOLT, M14X 50 PLATED			4					
16	1	123500-01710	GASKET, OIL SUMP			1					
17	1	22117-140000	WASHER, 14			4					
18	1	171420-34820	DIPSTICK, OIL			1					
19	1	26366-100002	NUT, M10			1					
20	1	123672-01782	SEAL, SD105X135X14L			1					
21	1	123560-01800	HOUSING, FLYWHEEL			1					
22	1	26106-100302	BOLT, M10X 30 PLATED			12					
23	1	26106-100352	BOLT, M10X 35 PLATED			4					
24	1	129795-11750	CAP			1					
25	1	123550-01810	GASKET			1					
26	1	123500-32000	PUMP ASSY, OIL			1					
34	2	129553-32130	VALVE, RELIEF			1					
37	2	129553-32320	SPRING			1					
38	2	129553-32330	PLUG			1					
39	2	129553-32340	RETAINER, SPRING			1					
40	2	22351-040008	PIN, SPRING 4.0X 8			1					
41	2	26116-080202	BOLT, M8X 20 PLATED			2					
42	2	26116-080352	BOLT, M8X 35 PLATED			1					
43	1	26106-080302	BOLT, M8X 30 PLATED			4					
44	1	123500-35010	PIPE ASSY, OIL INLET			1					
49	1	127610-35040	GASKET, PUMP			1					
50	1	123550-39150	STAY			1					
51	1	26013-080142	BOLT, M8X 14			1					
52	1	26106-080202	BOLT, M8X 20 PLATED			1					
53	1	26106-080452	BOLT, M8X 45 PLATED			1					
54	1	26106-100142	BOLT, M10X 14 PLATED			2					
55	1	124160-39140	BOLT, PIPE JOINT M10			4					
56	1	121952-39651	NOZZLE			4					

Fig.28. BONNET

(A)=4TN100L-NC  
(B)=4TN100TL-NC  
(C)=4T112TL-NC

(D)=  
(E)=  
(F)=

023561-03100  
023500-11150  
023550-11200



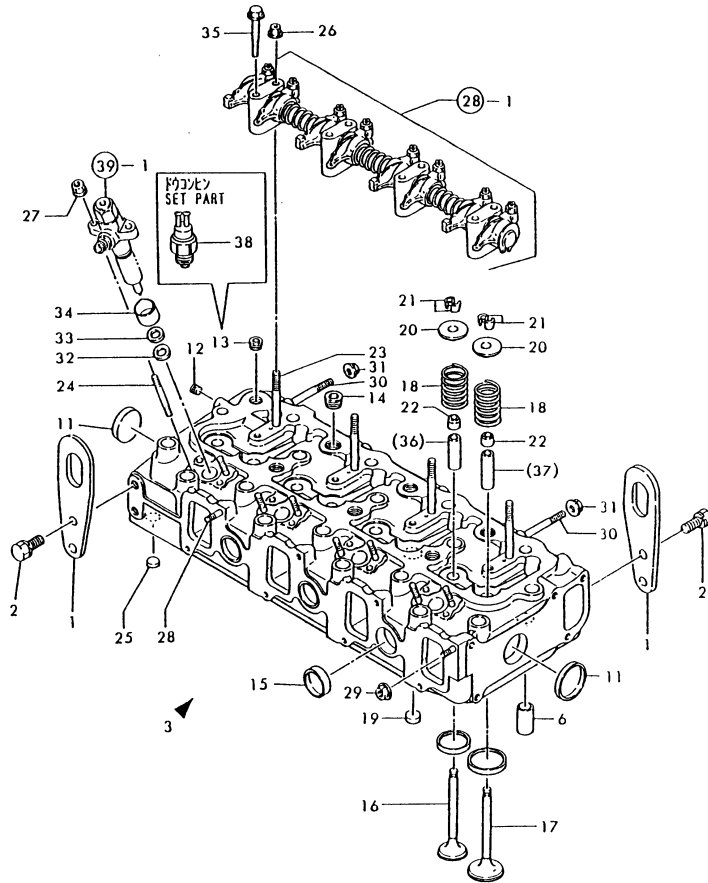
No.	Lev.	Parts No.	Description	Qty						I	R
				(A)	(B)	(C)	(D)	(E)	(F)		
1	1	723500-11500	SUPPORT ASSY, ARM			1					
2	2	723500-11650	ARM ASSY, ROCKER			4					
3	3	123500-11200	ARM, ROCKER			4					
4	4	127610-11170	BUSH, ROCKER ARM			4					
6	3	127616-11230	SCREW, VALVE ADJUST			4					
7	3	122710-11240	NUT			4					
8	2	723500-11660	ARM ASSY, ROCKER			4					
9	3	123500-11210	ARM, ROCKER			4					
10	4	127610-11170	BUSH, ROCKER ARM			4					
12	3	127616-11230	SCREW, VALVE ADJUST			4					
13	3	122710-11240	NUT			4					
14	2	123500-11250	SUPPORT, ROCKER ARM			1					
15	2	123500-11260	SUPPORT, ROCKER ARM			3					
16	2	123500-11270	SHAFT ASSY, ROCKER			1					
19	2	128610-11280	SPRING			3					
20	2	22242-000200	RING, 20			2					
21	2	26116-060162	BOLT, M6X 16 PLATED			1					
22	1	123550-11300	BONNET			1					
23	1	124160-11360	KNOB			4					
24	1	24311-000120	O-RING, 1AP12.0			4					
25	1	123500-03021	COVER, BREATHER			1					
26	1	123500-03030	GASKET			1					
27	1	127610-03050	WOOL, STEEL			1					
28	1	127610-03060	OIL THROWER			1					
29	1	123500-03071	PIPE, BREATHER			1					
30	1	23010-035000	CLAMP, 35			1					
31	1	26106-080202	BOLT, M8X 20 PLATED			2					
32	1	127610-03270	RETAINER			1					
33	1	124160-01751	COVER, FILLER			1					
34	1	24311-000320	O-RING, 1AP32.0			1					

Fig.29. CYLINDER HEAD

(A)=4TN100L-NC  
 (B)=4TN100TL-NC  
 (C)=4T112TL-NC

(D)=  
 (E)=  
 (F)=

023560-07300  
 023500-11100  
 023500-12100  
 023650-13100  
 023660-91200



No.	Lev.	Parts No.	Description	Q'ty						I	R
				(A)	(B)	(C)	(D)	(E)	(F)		
1	1	124411-07220	LIFTER			2					
2	1	26013-120252	BOLT, M12X 25			4					
3	1	723560-11700	HEAD ASSY, CYLINDER			1					
6	3	123500-11050	PLUG			4					
11	3	128610-11950	PLUG, 45			2					
12	3	23871-010000	PLUG, R01			1					
13	3	23871-030000	PLUG, R03			1					
14	3	23871-040000	PLUG, R04			6					
15	3	27241-350000	PLUG, 35			3					
16	2	123500-11100	VALVE, INTAKE			4					
17	2	123500-11110	VALVE, EXHAUST			4					
18	2	123500-11121	SPRING, VALVE			8					
19	2	27241-220000	PLUG, 22			4					
20	2	127410-11180	RETAINER, SPRING			8					
21	2	144626-11190	COTTER			8					
22	2	127610-11280	SEAL, VALVE STEM			8					
23	2	127610-11350	STUD			4					
24	2	126650-11770	STUD			8					
25	2	120130-11800	PLUG, 15			1					
26	2	26366-080002	NUT, M8			4					
27	2	26366-080002	NUT, M8			8					
28	2	26216-080252	STUD, M8X 25			2					
29	2	26366-080002	NUT, M8			2					
30	2	26216-080702	STUD, M8X 70			2					
31	2	26366-080002	NUT, M8			2					
32	1	128610-11900	INSULATOR			4					
33	1	128610-11910	GASKET, NOZZLE			4					
34	1	127422-11920	SEAL			4					
35	1	26106-080652	BOLT, M8X 65 PLATED			4					
36	1	123500-11810	GUIDE, VALVE			4					1
37	1	123500-11800	GUIDE, VALVE			4					1
38	1	171375-44900	SWITCH, 15			1					

Remarks

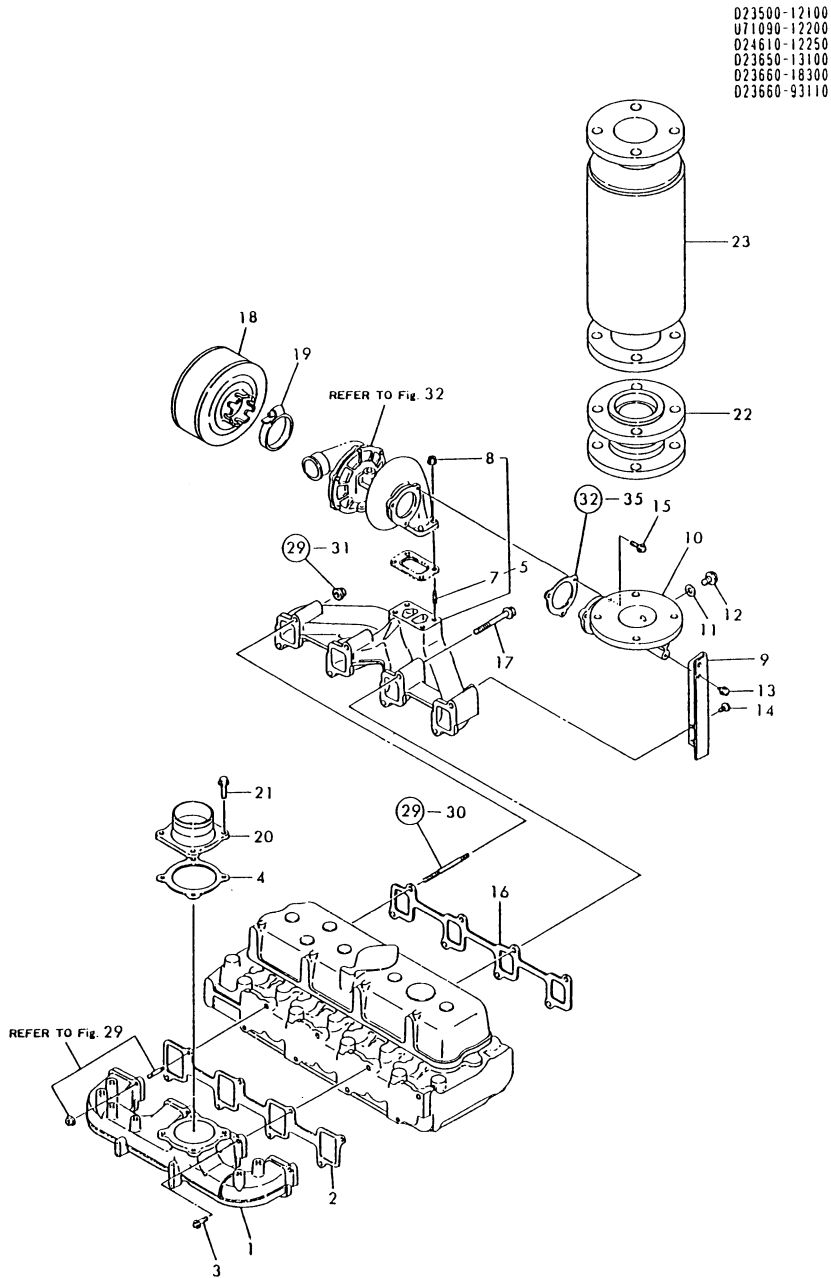
(1) REPAIR PART.

N:Old  $\begin{matrix} \leftarrow \text{Yes} \\ \text{No} \end{matrix}$  New, Q:Old  $\begin{matrix} \leftarrow \text{No} \\ \text{Yes} \end{matrix}$  New, R:Old  $\begin{matrix} \leftarrow \text{Yes} \\ \text{Yes} \end{matrix}$  New, S:Old  $\begin{matrix} \leftarrow \text{No} \\ \text{No} \end{matrix}$  New, W:Add, Z:Discontinued, F:Interchangeable by set, K:Q'ty Change

Fig.30. SUCTION & EXHAUST MANIFOLD

(A)=4TN100L-NC  
 (B)=4TN100TL-NC  
 (C)=4T112TL-NC

(D)=  
 (E)=  
 (F)=



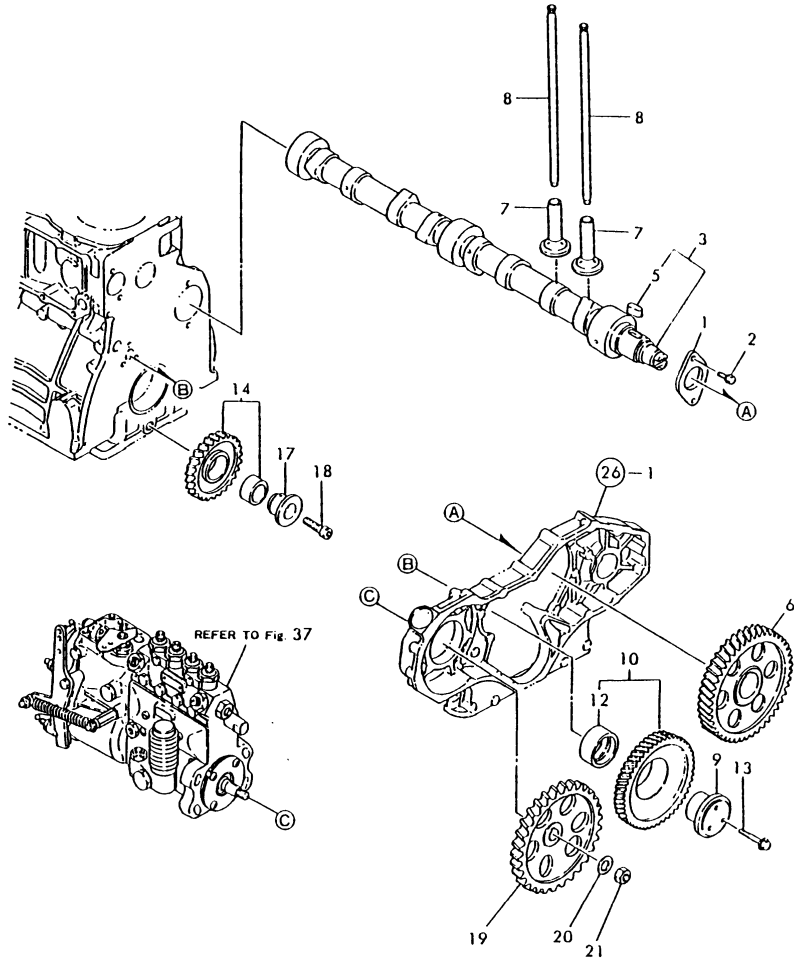
No.	Lev.	Parts No.	Description	Qty						I	R
				(A)	(B)	(C)	(D)	(E)	(F)		
1	1	123500-12100	MANIFOLD, AIR INTAKE			1					
2	1	123500-12110	GASKET, MANIFOLD			1					
3	1	26106-080202	BOLT, M8X 20 PLATED			6					
4	1	124411-12560	GASKET, SILENCER			1					
5	1	723660-13500	MANIFOLD ASSY			1					
7	2	123678-18320	STUD			4					
8	1	26366-080002	NUT, M8			4					
9	1	123660-18290	SUPPORT			1					
10	1	123660-18380	BEND, EXHAUST			1					
11	1	23414-170000	GASKET, 17X1.0			1					
12	1	23894-030002	PLUG, G3/8			1					
13	1	26106-080122	BOLT, M8X 12 PLATED			2					
14	1	26106-080122	BOLT, M8X 12 PLATED			2					
15	1	26106-080252	BOLT, M8X 25 PLATED			3					
16	1	123500-13110	GASKET			1					
17	1	26106-080702	BOLT, M8X 70 PLATED			6					
18	1	127412-18853	SILENCER			1					
19	1	23000-070000	CLAMP, 70			1					
20	1	124610-12580	JOINT, AIR HEATER			1					
21	1	26106-100252	BOLT, M10X 25 PLATED			4					
22	1	43100-500570	BELLOWS 80A			1					
23	1	43100-500910	SILENCER			1					

Fig.31. CAMSHAFT & DRIVING GEAR

(A)=4TN100L-NC  
 (B)=4TN100TL-NC  
 (C)=4T112TL-NC

(D)=  
 (E)=  
 (F)=

D23500-02200  
 D23500-14100  
 G23500-25100  
 D23500-25200  
 G23500-32200



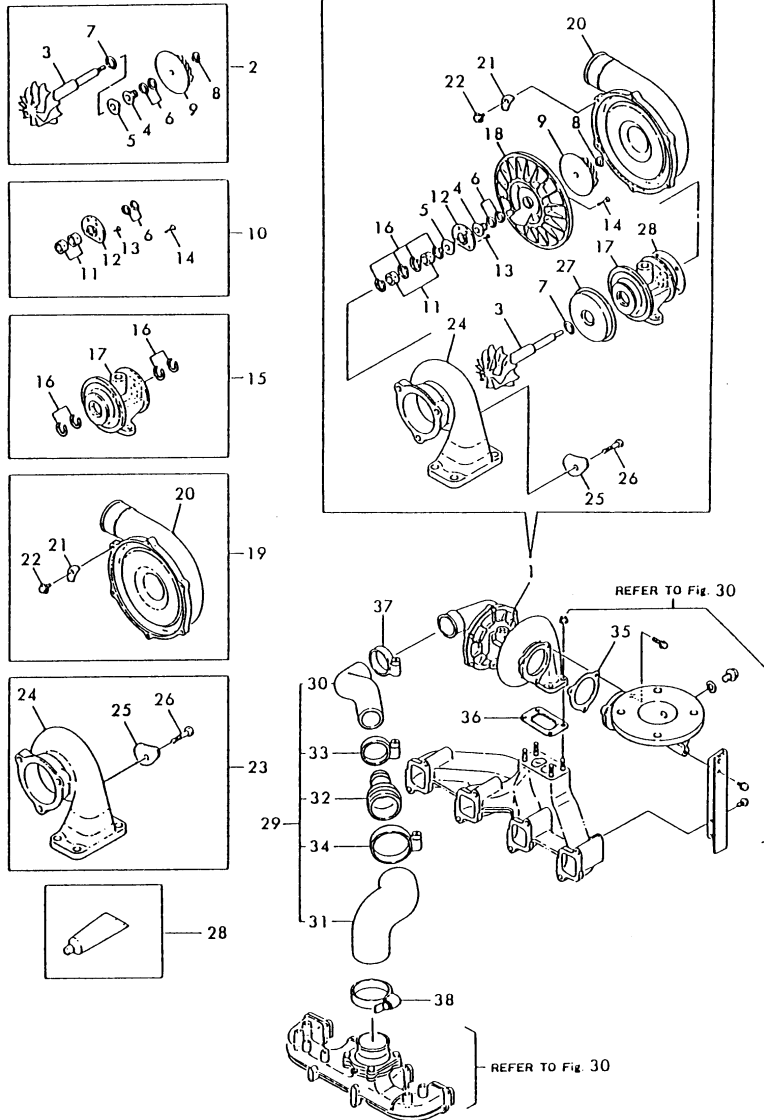
No.	Lev.	Parts No.	Description	Qty						I	R
				(A)	(B)	(C)	(D)	(E)	(F)		
1	1	123500-02160	RETAINER			1					
2	1	26013-080202	BOLT, M8X 20			2					
3	1	723560-14580	CAMSHAFT ASSY			1					
5	2	22512-070220	KEY, 7X 22			1					
6	1	123500-14100	GEAR, CAMSHAFT			1					
7	1	123500-14200	TAPPET			8					
8	1	123500-14400	ROD, PUSH			8					
9	1	123500-25070	SHAFT, IDLE			1					
10	1	123500-25110	GEAR ASSY, IDLE			1					
12	2	123500-25080	BUSH			1					
13	1	26106-080502	BOLT, M8X 50 PLATED			3					
14	1	123500-32500	GEAR ASSY, IDLE			1					
17	1	121850-32530	SHAFT, IDLE			1					
18	1	26450-100352	BOLT, M10X 35			1					
19	1	123500-25900	GEAR, PUMP			1					
20	1	22117-140000	WASHER, 14			1					
21	1	26736-140002	NUT, M14			1					

Fig.32. TURBOCHARGER

(A)=4TN100L-NC  
 (B)=4TN100TL-NC  
 (C)=4T112TL-NC

(D)=  
 (E)=  
 (F)=

023650-18100



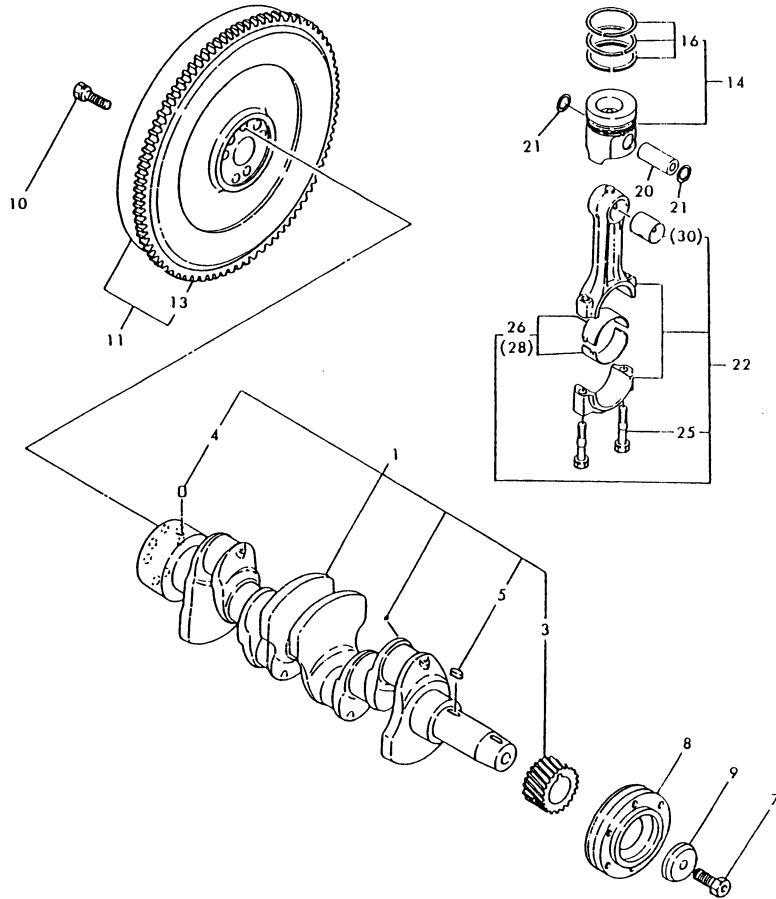
No.	Lev.	Parts No.	Description	Q'ty						I	R
				(A)	(B)	(C)	(D)	(E)	(F)		
1	1	123650-18010	TURBINE, RHB6			1					
2	2	XN191300	ROTOR KIT, TURBINE			1					
3	3	XN191302	SHAFT, TURBINE			1					
4	3	XN191103	THROWER, OIL			1					
5	3	XN191005	BUSH, THRUST			1					
6	3	XNN131008	SEAL RING,BLOW.SIDE			2					
7	3	XN971007	RING, SEAL (T-SIDE)			1					
8	3	XN191109	NUT 6			1					
9	2	XN192702	IMPELLER			1					
10	2	XN199800	OVERHAUL KIT			1					
11	3	XN973503	BEARING,FLO.JOURNAL			2					
12	3	XN973502	BEARING, THRUST			1					
13	3	XNB133206	SCREW			4					
14	3	XNH163006	SCREW M4			4					
15	2	XN199801	HOUSING SET, BEARING			1					
16	3	XN977003	RING, RETAINING			4					
17	3	XN193207	HOUSING, BEARING			1					
18	2	XN193600	PLATE B, SEAL			1					
19	2	XN192200	HOUSING SET, BLOWER			1					
20	3	XN192202	HOUSING(BRL406B)			1					
21	3	XNN134035	RETAINER			6					
22	3	XNB134007	BOLT M 5			6					
23	2	XN197400	HOUSING KIT, TURBINE			1					
24	3	XN197402	CASING, TURBINE			1					
25	3	XN197404	PLATE, LOCK			4					
26	3	XN196103	BOLT M 6			4					
27	3	XN193204	PROTECTOR, HEAT			1					
28	3	XN193653	GASKET, LIQUID			1					
29	1	123600-12052	HOSE ASSY, INTAKE			1					
30	2	123600-12080	PIPE, AIR INTAKE			1					
31	2	123600-12090	PIPE, AIR INTAKE			1					
32	2	123600-12109	JOINT			1					
33	2	23000-070000	CLAMP, 70			1					
34	2	23000-102000	CLAMP, 102			1					
35	1	123650-18080	GASKET			1					
36	1	121252-18190	GASKET			1					
37	1	23000-060000	CLAMP, 60			1					
38	1	23000-102000	CLAMP, 102			1					

Fig.33. CRANKSHAFT & PISTON

(A)=4TN100L-NC  
(B)=4TN100TL-NC  
(C)=4T112TL-NC

(D)=  
(E)=  
(F)=

023550-21100  
023560-21200  
023500-22100  
023500-23100



No.	Lev.	Parts No.	Description	Qty						I	R	
				(A)	(B)	(C)	(D)	(E)	(F)			
1	1	723560-21700	CRANKSHAFT ASSY			1						
3	2	123500-21200	GEAR, CRANKSHAFT			1						
4	2	22312-080100	PIN, PARALLEL M8X10			1						
5	2	22512-070140	KEY, 7X 14			2						
7	1	123672-21500	BOLT, M16X50			1						
8	1	123550-21650	V-PULLEY			1						
9	1	123672-21861	WASHER			1						
10	1	123672-21510	BOLT, FLYWHEEL			6						
11	1	123560-21590	FLYWHEEL ASSY			1						
13	2	123550-21600	GEAR, RING			1						
14	1	123500-22090	PISTON ASSY			4						
16	2	723500-22500	RING SET, PISTON			4						
20	1	127616-22300	PIN, PISTON			4						
21	1	127616-22400	CIRCLIP			8						
22	1	723500-23700	ROD ASSY, CONNECTING			4						
25	2	123500-23200	BOLT, CONNECTING ROD			8						
26	2	723500-23600	BEARING, CRANK PIN			4						
28	1	123500-23610	BEARING, 0.25 US			4						1
30	1	127616-23911	BEARING, PISTON PIN			4						2

Remarks

- (1) UNDER-SIZE(U.S=0.25)PART.
- (2) REPAIR PART.

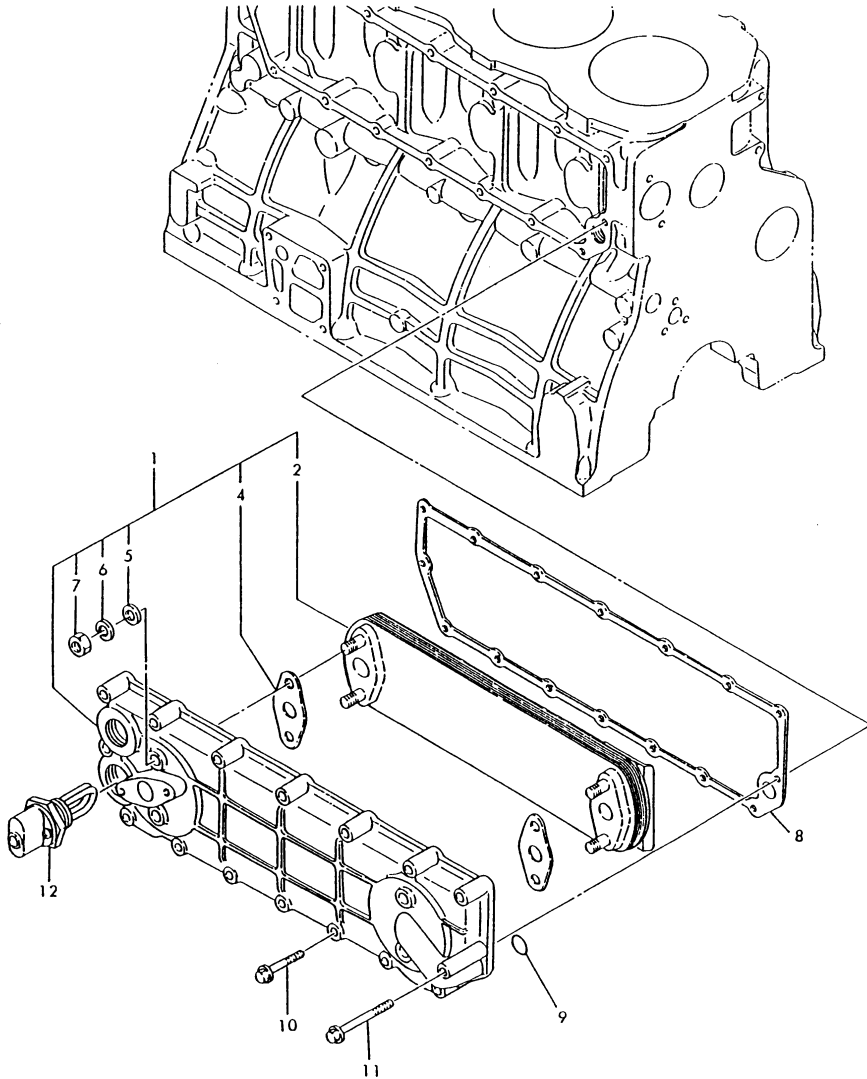


Fig.34. LUB. OIL COOLER

(A)=4TN100L-NC  
 (B)=4TN100TL-NC  
 (C)=4T112TL-NC

(D)=  
 (E)=  
 (F)=

023561-33100  
 023660-91200

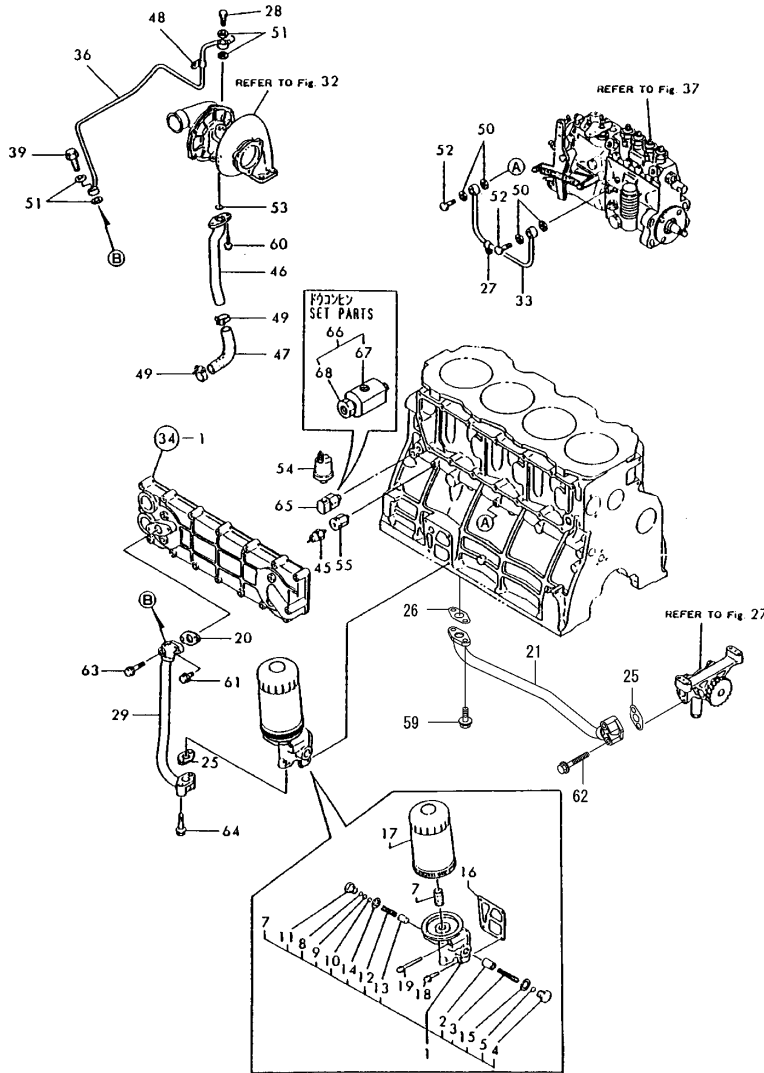


No.	Lev.	Parts No.	Description	Qty						I	R
				(A)	(B)	(C)	(D)	(E)	(F)		
1	1	723561-33700	COOLER ASSY, OIL			1					
2	2	123600-33031	CORE, COOLER			1					
4	2	123672-33070	GASKET			2					
5	2	22117-100000	WASHER, 10			4					
6	2	22212-100000	SPRING WASHER 10			4					
7	2	26736-100002	NUT, M10			4					
8	1	123500-01410	GASKET			1					
9	1	24311-000200	O-RING, 1AP20.0			1					
10	1	26106-080452	BOLT, M8X 45 PLATED			15					
11	1	26106-080702	BOLT, M8X 70 PLATED			1					
12	1	46150-504500	HEATER			1					

Fig.35. LUB. OIL LINE

(A)=4TN100L-NC  
(B)=4TN100TL-NC  
(C)=4T112TL-NC

(D)=  
(E)=  
(F)=

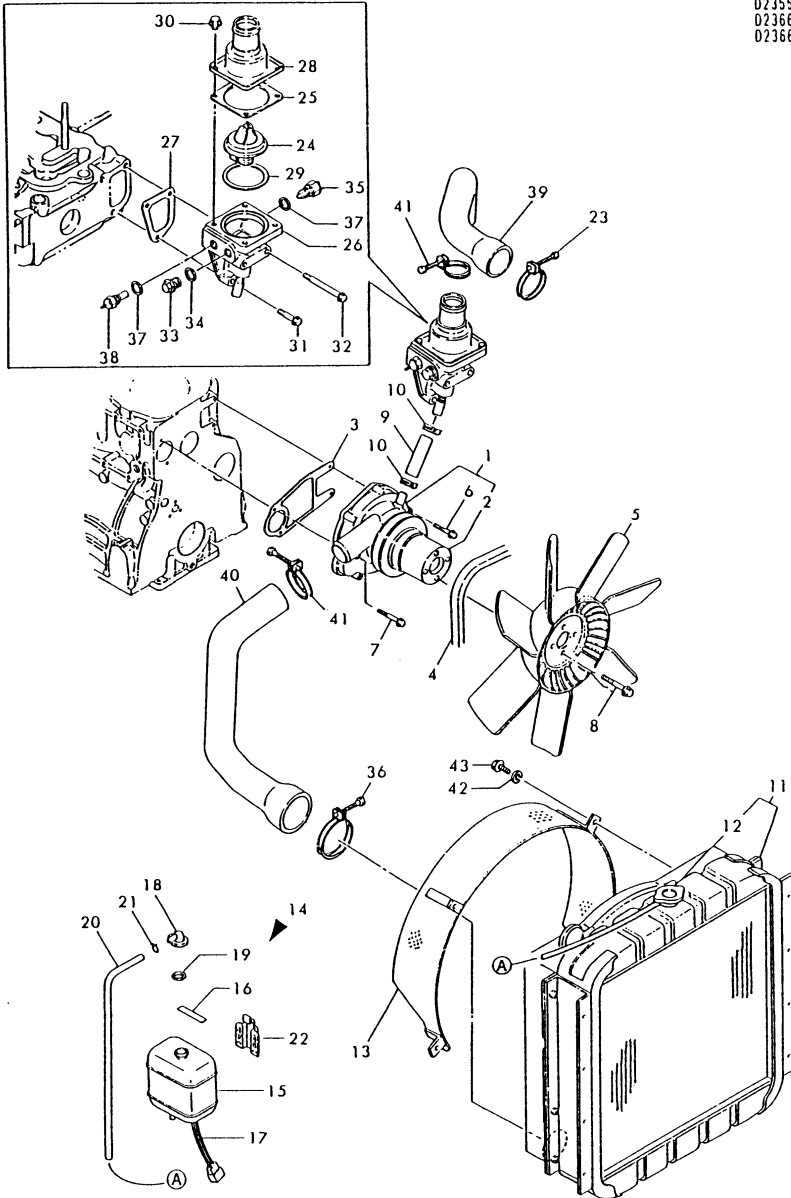


No.	Lev.	Parts No.	Description	Qty						I	R
				(A)	(B)	(C)	(D)	(E)	(F)		
1	1	123600-35100	BRACKET ASSY, FILTER			1					
2	2	135310-34030	REGULATING VALVE			1					
3	2	123672-34040	SPRING			1					
4	2	123672-34070	PLUG			1					
5	2	123672-34350	SHIM			1					
7	2	124610-35140	BRACKET			1					
8	2	121850-35210	SHIM, T=0.2			2					
9	2	121850-35220	SHIM, T=0.5			2					
10	2	121850-35230	SHIM, T=1.0			1					
11	2	124223-35510	RETAINER, SPRING			1					
12	2	129795-35520	SPRING			1					
13	2	121850-35531	VALVE, CONTROL			1					
14	2	23414-180000	GASKET, 18X1.0			1					
15	2	23414-220000	GASKET, 22X1.0			1					
16	1	123500-35120	GASKET			1					
17	1	123672-35151	ELEMENT			1					
18	1	26106-080352	BOLT, M8X 35 PLATED			2					
19	1	26106-080702	BOLT, M8X 70 PLATED			2					
20	1	127410-39040	GASKET			1					
21	1	123550-39100	PIPE ASSY, OIL			1					
25	1	123500-39131	GASKET			2					
26	1	127675-39040	GASKET			1					
27	1	105582-39150	RETAINER			1					
28	1	121252-39150	BOLT, JOINT M10X1.5			1					
29	1	123550-39200	PIPE ASSY, OIL			1					
33	1	123500-39300	PIPE ASSY, OIL			1					
36	1	123600-39401	PIPE ASSY, OIL			1					
39	1	123600-39420	VALVE ASSY, CHECK			1					
45	1	121250-39450	SWITCH, 1.0KG			1					
46	1	123600-39551	PIPE, OIL			1					
47	1	121952-39600	JOINT, PIPE			1					
48	1	124323-84920	RETAINER			2					
49	1	23000-025000	CLAMP, 25			2					
50	1	23414-080000	GASKET, 8X1.0			4					
51	1	23414-100000	GASKET, 10X1.0			4					
52	1	23857-030000	BOLT, JOINT 3			2					
53	1	24316-000200	O-RING, 4DP20.0			1					
54	1	144626-91560	SENSOR			1					
55	1	123482-39660	DAMPER			1					
59	1	26106-080162	BOLT, M8X 16 PLATED			2					
60	1	26106-060202	BOLT, M6X 20 PLATED			2					
61	1	26106-080202	BOLT, M8X 20 PLATED			1					
62	1	26106-080402	BOLT, M8X 40 PLATED			2					
63	1	26106-080402	BOLT, M8X 40 PLATED			1					
64	1	26106-080402	BOLT, M8X 40 PLATED			2					
65	1	123682-39560	DAMPER, PT1/8			1					
66	1	171375-39600	DAMPER ASSY			1					
67	2	129470-39610	DAMPER			1					
68	2	23161-020100	BUSH, R1/4X1/8			1					

Fig.36. COOLING WATER SYSTEM

(A)=4TN100L-NC  
(B)=4TN100TL-NC  
(C)=4T112TL-NC

(D)=  
(E)=  
(F)=



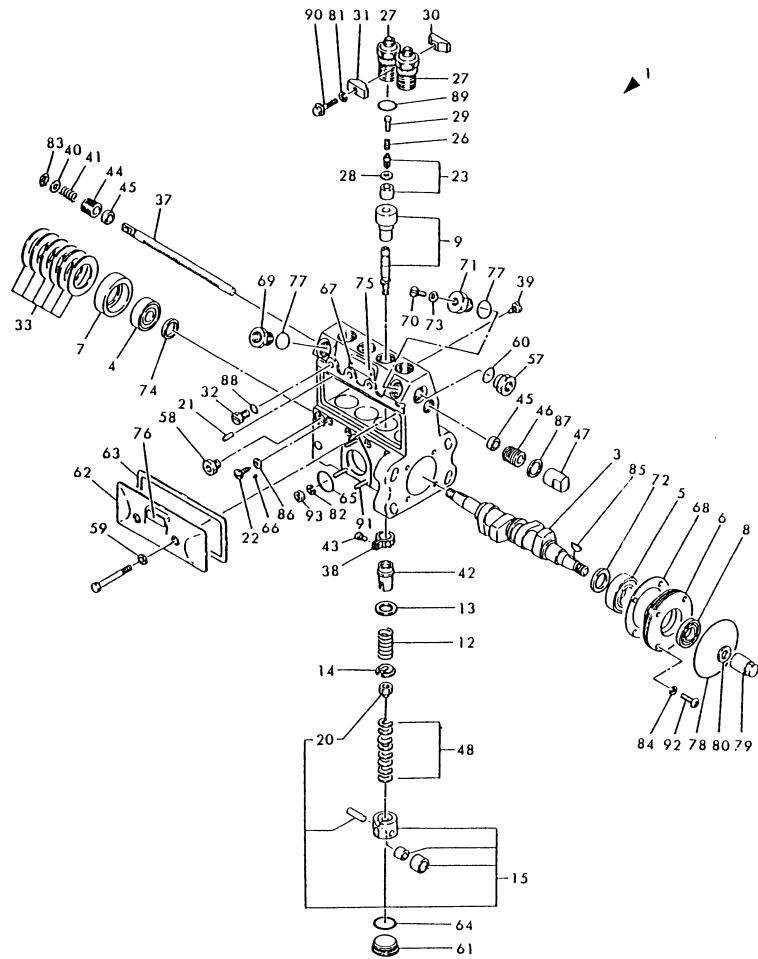
023550-42101  
023550-44400  
023550-49200  
023550-49250  
023550-49500  
023660-91200  
023660-93110

No.	Lev.	Parts No.	Description	Q'ty						I	R
				(A)	(B)	(C)	(D)	(E)	(F)		
1	1	123550-42001	PUMP ASSY, WATER			1					
2	2	123560-42251	PULLEY, FAN			1					
3	1	123550-42021	GASKET			1					
4	1	124610-77351	V-BELT, B46			1					
5	1	42421-500250	FAN			1					
6	1	26106-080552	BOLT, M8X 55 PLATED			3					
7	1	26106-080652	BOLT, M8X 65 PLATED			1					
8	1	26106-100162	BOLT, M10X 16 PLATED			4					
9	1	123550-49030	HOSE, RUBBER			1					
10	1	23000-022000	CLAMP, 22			2					
11	1	123660-44500	RADIATOR			1					
12	2	123682-44210	CAP, RADIATOR			1					
13	1	123560-44760	PROTECTOR, FAN			1					
14	1	121850-44800	TANK ASSY, RESERVE			1					
16	2	121850-44830	LABEL, RESERVE TANK			1					
17	2	121850-44840	SWITCH ASSY			1					
18	2	121850-44850	CAP			1					
19	2	121850-44860	GASKET			1					
20	2	121850-44870	HOSE			1					
21	2	121850-44880	CLAMP			1					
22	1	121850-44910	BRACKET, SUB TANK			1					
23	1	23000-070000	CLAMP, 70			1					
24	1	124610-48610	THERMOSTAT, 71			1					
25	1	124610-49290	GASKET			1					
26	1	123550-49510	CASE, THERMOSTAT			1					
27	1	123550-49520	GASKET, THERMOSTAT			1					
28	1	123550-49530	COVER, THERMOSTAT			1					
29	1	123500-49550	GASKET			1					
30	1	26106-080122	BOLT, M8X 12 PLATED			4					
31	1	26106-080352	BOLT, M8X 35 PLATED			1					
32	1	26106-080802	BOLT, M8X 80 PLATED			2					
33	1	105425-01690	PLUG, 16			1					
34	1	23414-160000	GASKET, 16X1.0			1					
35	1	121250-44901	SWITCH, 110			1					
36	1	23000-080000	CLAMP, 80			1					
37	1	23414-160000	GASKET, 16X1.0			2					
38	1	171375-44910	SENSOR			1					
39	1	123560-49350	PIPE			1					
40	1	123560-49360	PIPE			1					
41	1	23000-060000	CLAMP, 60			2					
42	1	22217-080000	WASHER, SPRING 8			4					
43	1	26106-080122	BOLT, M8X 12 PLATED			4					

Fig.37. FUEL INJECTION PUMP

(A)=4TN100L-NC  
(B)=4TN100TL-NC  
(C)=4T112TL-NC

(D)=  
(E)=  
(F)=



023660-51100

No.	Lev.	Parts No.	Description	Qty						I	R
				(A)	(B)	(C)	(D)	(E)	(F)		
1	1	723660-51300	PUMP ASSY, INJECTION		1						1
3	2	124410-51031	CAMSHAFT		1						
4	2	122710-51050	BEARING, HR30203J		1						
5	2	124410-51050	BEARING		1						
6	2	124410-51061	RETAINER, BEARING A		1						
7	2	121850-51070	RETAINER, SPRING B		1						
8	2	124410-51081	SEAL, VC20 32 5		1						
9	2	123560-51100	PLUNGER ASSY		4						
12	2	122710-51160	SPRING, PLUNGER		4						
13	2	122710-51170	RETAINER, SPRING		4						
14	2	122710-51180	RETAINER, SPRING		4						
15	2	124410-51200	TAPPET ASSY		4						
20	3	124410-51250	BOLT, ADJUSTING		4						
21	2	174307-51250	PIN, LOCK		4						
22	2	122710-51270	STOPPER		4						
23	2	123500-51300	VALVE ASSY, DELIVERY		4						
26	2	121952-51330	SPRING, DELIVERY		4						
27	2	124410-51341	RETAINER		4						
28	2	122710-51350	GASKET		4						
29	2	121952-51370	STOPPER, VALVE		4						
30	2	121850-51380	STOPPER		2						
31	2	121850-51390	STOPPER		2						
32	2	124410-51400	PROTECTOR, SPILL		4						
33	2	121850-51450	SHIM SET, ADJUSTING		1						
37	2	121950-51500	RACK, CONTROL		1						
38	2	122710-51510	PINION, CONTROL		4						
39	2	122710-51520	STOOPER, RACK		1						
40	2	121850-51530	SPACER		1						
41	2	122710-51540	SPRING, RACK		1						
42	2	124410-51550	SLEEVE, CONTROL		4						
43	2	122117-51560	SCREW		4						
44	2	122710-51571	SCREW		1						
45	2	122710-51580	BUSH, RACK		2						
46	2	122710-51590	SCREW		1						
47	2	123500-51600	NUT, CAP		1						
48	2	124410-51600	SHIM SET, ADJUSTING		4						
57	2	121850-51700	BUSH		1						
58	2	122710-51701	PLUG		1						
59	2	144626-51700	WASHER, SEAL		2						
60	2	122710-51721	O-RING, 2017		1						
61	2	124410-51730	PLUG		4						
62	2	121950-51751	COVER		1						
63	2	121950-51761	GASKET		1						
64	2	122710-51790	O-RING		4						
65	2	122710-51870	O-RING, S32		1						
66	2	122710-51880	STOPPER		4						
67	2	124220-51890	RIVET		2						
68	2	124410-51890	GASKET		1						
69	2	121952-51900	PLUG		1						
70	2	122710-51900	PLUG		1						
71	2	121950-51910	PLUG		1						

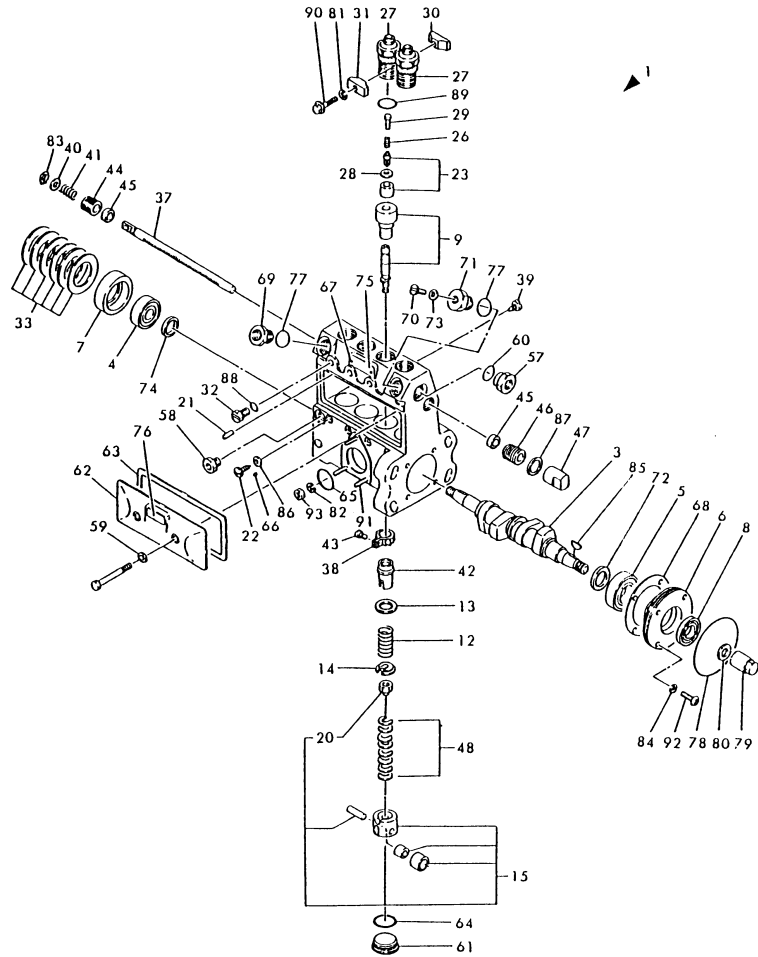
Remarks

(1) GOVERNOR(FIG.42) & FEED PUMP (FIG.38) ARE INCORPORATED IN THIS FUEL INJECTION PUMP ASSY. (REF.NO.1).

Fig.37. FUEL INJECTION PUMP

(A)=4TN100L-NC  
(B)=4TN100TL-NC  
(C)=4T112TL-NC

(D)=  
(E)=  
(F)=



No.	Lev.	Parts No.	Description	Q'ty						I	R
				(A)	(B)	(C)	(D)	(E)	(F)		
72	2	124410-51910	SPACER, CAMSHAFT			1					
73	2	180110-51910	GASKET, PLUG			1					
74	2	122710-51920	SPACER			1					
75	2	123660-51920	LABEL (723660-51300)			1					
76	2	124410-51940	LABEL, CAUTION			1					
77	2	144626-51950	O-RING, 1016			2					
78	2	124410-51960	O-RING			1					
79	2	124410-51980	NUT, CAP			1					
80	2	124410-51990	WASHER, SPRING			1					
81	2	22217-060000	WASHER, SPRING 6			2					
82	2	22217-060000	WASHER, SPRING 6			3					
83	2	22242-000110	RING, 11			1					
84	2	22287-060000	WASHER 6			4					
85	2	22522-040160	KEY, WOODRUFF 4X16			1					
86	2	23414-060000	GASKET, 6X1.0			4					
87	2	23414-180023	GASKET, 18X1.0			1					
88	2	24311-000080	O-RING, 1AP8.0			4					
89	2	24311-000210	O-RING, 1AP21.0			4					
90	2	26106-060352	BOLT, M6X 35 PLATED			2					
91	2	26216-060162	STUD, M6X 16			3					
92	2	26557-060202	SCREW, M6X20			4					
93	2	26716-060002	NUT, M6			3					

Remarks

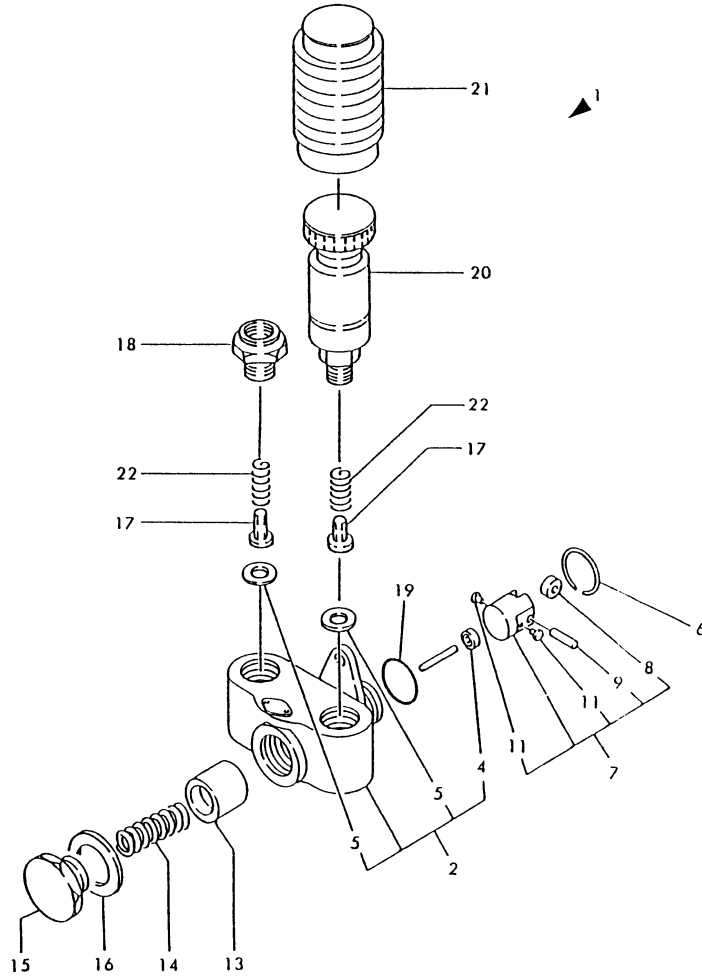
(1) GOVERNOR(FIG.42) & FEED PUMP (FIG.38) ARE INCORPORATED IN THIS FUEL INJECTION PUMP ASSY. (REF.NO.1).

Fig.38. FUEL FEED PUMP

(A)=4TN100L-NC  
 (B)=4TN100TL-NC  
 (C)=4T112TL-NC

(D)=  
 (E)=  
 (F)=

022710-52100



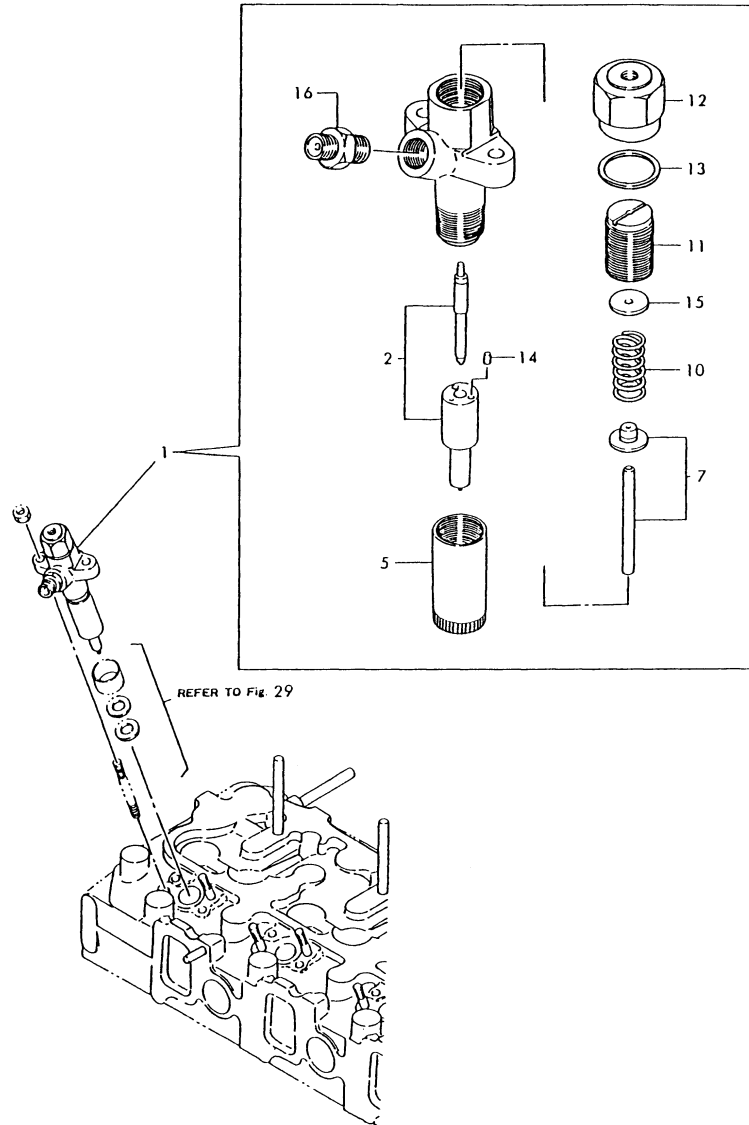
No.	Lev.	Parts No.	Description	Qty						I	R
				(A)	(B)	(C)	(D)	(E)	(F)		
1	1	123325-52010	PUMP ASSY, FUEL FEED			1					
2	2	121820-52020	BODY ASSY, PUMP			1					
4	3	121820-52040	SEAL, OIL			1					
5	3	121820-52050	GASKET			2					
6	2	121820-52070	PIN			1					
7	2	121820-52100	GUIDE ASSY, ROLLER			1					
8	3	121820-52110	ROLLER			1					
9	3	121820-52120	PIN, ROLLER			1					
11	3	121820-52140	RETAINER			2					
13	2	121820-52170	PISTON			1					
14	2	121820-52180	SPRING, VALVE			1					
15	2	121820-52190	RETAINER, SPRING			1					
16	2	121820-52200	GASKET, 25			1					
17	2	121820-52210	VALVE			2					
18	2	121820-52230	RETAINER, SPRING			1					
19	2	122710-51870	O-RING, S32			1					
20	2	121820-52300	PUMP, PRIMING			1					
21	2	121820-52400	COVER			1					
22	2	121820-52510	SPRING, VALVE			2					

Fig.39. FUEL INJECTION VALVE

(A)=4TN100L-NC  
 (B)=4TN100TL-NC  
 (C)=4T112TL-NC

(D)=  
 (E)=  
 (F)=

023600-53102

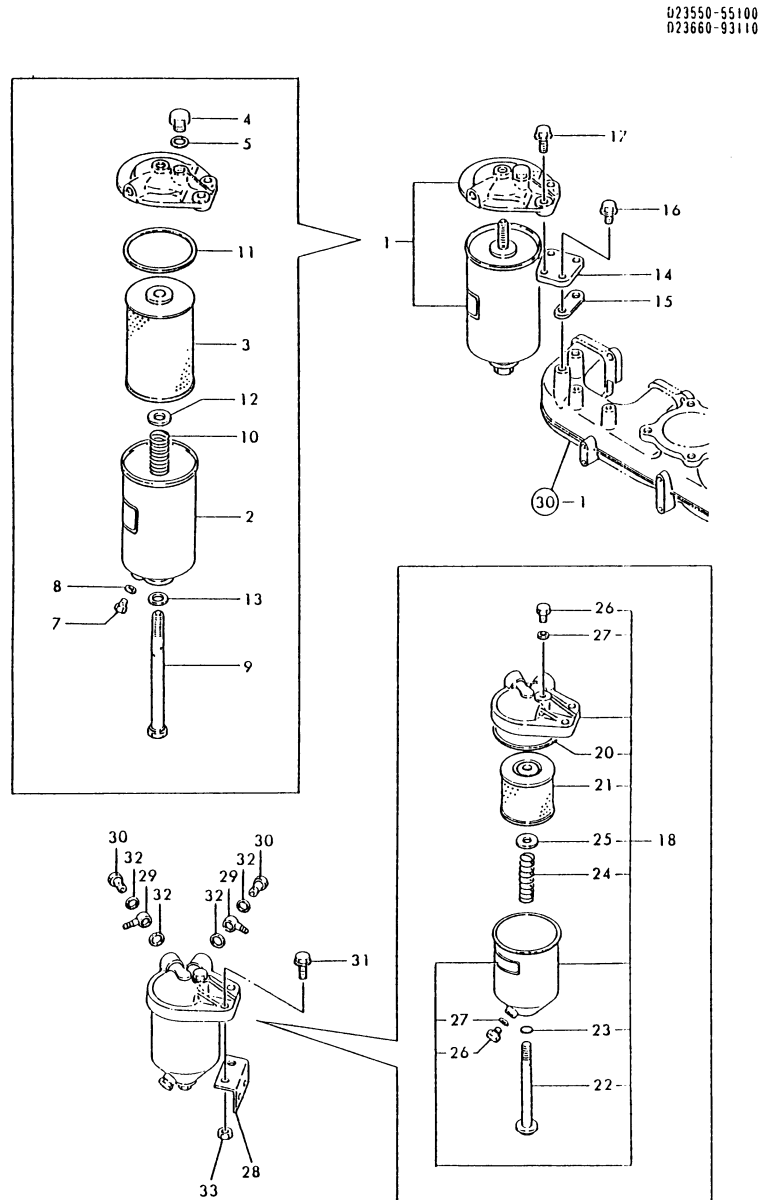


No.	Lev.	Parts No.	Description	Qty						I	R
				(A)	(B)	(C)	(D)	(E)	(F)		
1	1	723600-53102	VALVE ASSY,INJECTION			4					
2	2	123600-53002	VALVE ASSY,INJECTION			4					
5	2	126630-53080	NUT, NOZZLE L=48			4					
7	2	144626-53110	SPINDLE ASSY			4					
10	2	144626-53120	SPRING, NOZZLE			4					
11	2	144626-53180	HOLDER			4					
12	2	126630-53190	CAP, SPRING			4					
13	2	144626-53200	GASKET			4					
14	2	103200-53210	KNOCK, VALVE			8					
15	2	144626-53300	RETAINER, SPRING			4					
16	2	127610-53330	JOINT			4					

Fig.40. FUEL FILTER & SEPARATOR

(A)=4TN100L-NC  
 (B)=4TN100TL-NC  
 (C)=4T112TL-NC

(D)=  
 (E)=  
 (F)=



023550-55100  
 023660-93110

No.	Lev.	Parts No.	Description	Qty						I	R
				(A)	(B)	(C)	(D)	(E)	(F)		
1	1	41650-550310	STRAINER, FUEL			1					
2	2	123678-55720	CASE			1					
3	2	41650-550810	STRAINER			1					
4	2	123678-55880	PLUG, M14			1					
5	2	123678-55890	GASKET			1					
7	2	123672-55750	PLUG, DRAIN M8			1					
8	2	123672-55760	GASKET			1					
9	2	123678-55770	BOLT			1					
10	2	123678-55790	SPRING, SET			1					
11	2	123678-55850	GASKET			1					
12	2	123678-55860	SEAT, SPRING D30/16			1					
13	2	123678-55870	GASKET			1					
14	1	123550-55690	SUPPORT			1					
15	1	127610-55820	PAD			1					
16	1	26106-100202	BOLT, M10X 20 PLATED			2					
17	1	26106-100252	BOLT, M10X 25 PLATED			2					
18	1	43623-500030	SEPARATOR			1					
20	2	123325-35140	GASKET			1					
21	2	42430-550060	ELEMENT, FUEL OIL			1					
22	2	123325-35110	BOLT			1					
23	2	24311-000120	O-RING, 1AP12.0			1					
24	2	123678-55790	SPRING, SET			1					
25	2	123678-55860	SEAT, SPRING D30/16			1					
26	2	23887-080002	PLUG 8			2					
27	2	23414-080000	GASKET, 8X1.0			2					
28	1	123672-55811	BRACKET			1					
29	1	171090-59420	PIPE			2					
30	1	23857-080000	BOLT, JOINT 8			2					
31	1	26106-100302	BOLT, M10X 30 PLATED			2					
32	1	43400-500470	SEAL WASHER 14S			4					
33	1	26706-100002	NUT, M10			2					

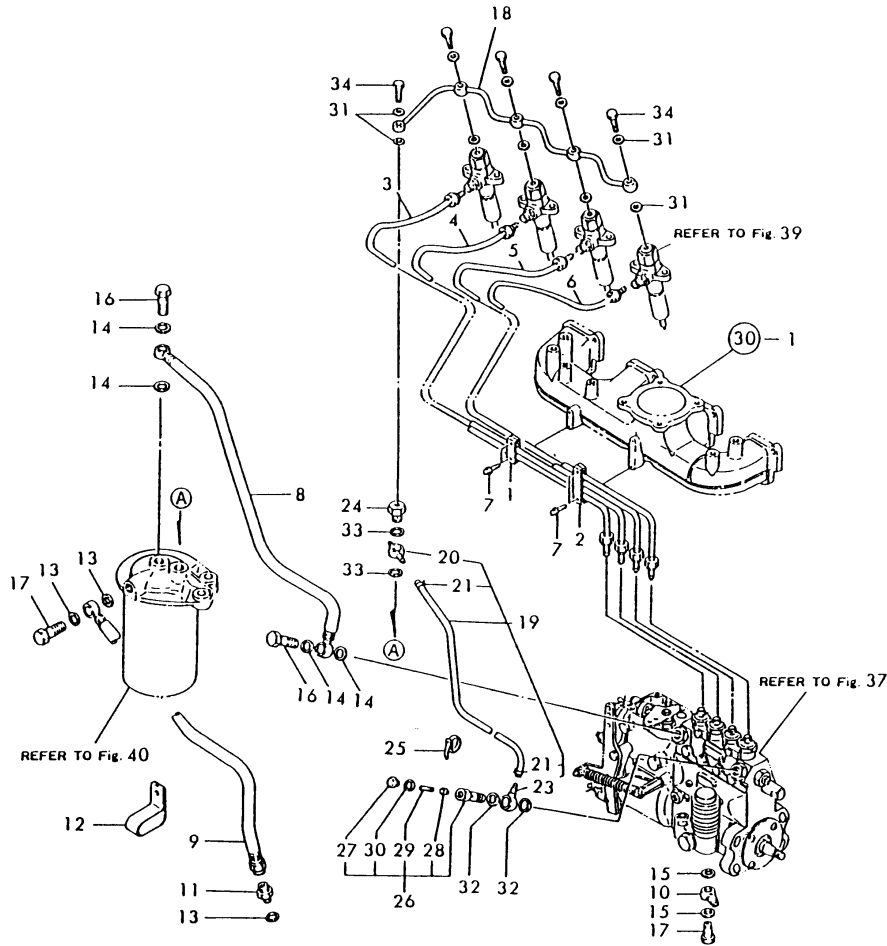


Fig.41. FUEL OIL PIPES

(A)=4TN100L-NC  
(B)=4TN100TL-NC  
(C)=4T112TL-NC

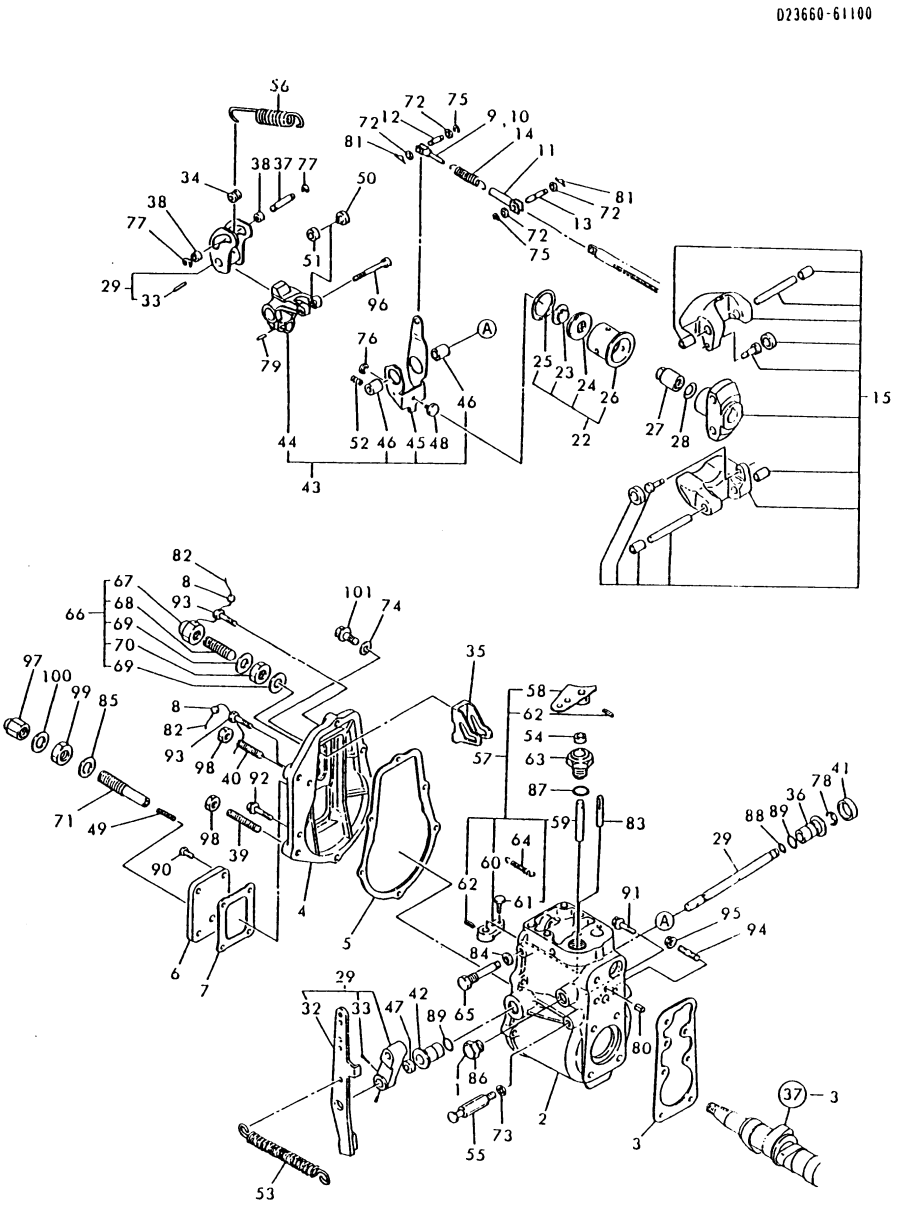
(D)=  
(E)=  
(F)=

023650-59110  
023560-59200  
023560-59300



No.	Lev.	Parts No.	Description	Qty						I	R
				(A)	(B)	(C)	(D)	(E)	(F)		
1	1	122780-59100	RETAINER			2					
2	1	123472-59120	RETAINER, PIPE			2					
3	1	123650-59900	PIPE ASSY, INJECTION			1					
4	1	123650-59910	PIPE ASSY, INJECTION			1					
5	1	123650-59920	PIPE ASSY, INJECTION			1					
6	1	123650-59930	PIPE ASSY, INJECTION			1					
7	1	26106-060202	BOLT, M6X 20 PLATED			4					
8	1	127610-59011	PIPE, FUEL			1					
9	1	123500-59021	PIPE ASSY, FUEL			1					
10	1	171090-59420	PIPE			1					
11	1	121850-59910	JOINT, PIPE			1					
12	1	123500-59950	RETAINER, PIPE			1					
13	1	23414-140018	GASKET, 14X1.0			3					
14	1	23414-140018	GASKET, 14X1.0			4					
15	1	23414-140018	GASKET, 14X1.0			2					
16	1	23857-080000	BOLT, JOINT 8			2					
17	1	23857-080000	BOLT, JOINT 8			2					
18	1	123550-59550	PIPE ASSY, RETURN			1					
19	1	123560-59020	PIPE ASSY, FUEL			1					
20	2	124610-59010	JOINT			1					
21	2	124766-59050	CLIP, HOSE 12			2					
23	2	121750-59910	JOINT			1					
24	1	129495-59300	BOLT, PIPE JOINT			1					
25	1	121750-59890	BAND, 140			1					
26	1	128300-59910	VALVE ASSY, OVERFLOW			1					
27	2	127610-39350	RETAINER, SPRING			1					
28	2	128300-59930	VALVE			1					
29	2	124070-66580	SPRING, CONTROLLER			1					
30	2	23414-100000	GASKET, 10X1.0			1					
31	1	23414-080012	GASKET, 8X1.0			10					
32	1	23414-140018	GASKET, 14X1.0			2					
33	1	23414-140018	GASKET, 14X1.0			2					
34	1	23851-030000	JOINT BOLT 3			5					

Fig.42. GOVERNOR



No.	Lev.	Parts No.	Description	Q'ty						I	R
				(A)	(B)	(C)	(D)	(E)	(F)		
1	2	124610-51970	LABEL			1					
2	2	121850-61011	CASE, GOVERNOR			1					
3	2	121850-61050	GASKET			1					
4	2	124616-61060	COVER, GOVERNOR CASE			1					
5	2	121850-61071	GASKET			1					
6	2	128300-61070	COVER, GOVERNOR CASE			1					
7	2	124616-61080	GASKET			1					
8	2	135210-61090	LEAD			2					
9	2	121850-61140	LINK, A MARK -2			1					
10	2	121850-61150	LINK, A MARK -1			1					
11	2	121850-61160	LINK			1					
12	2	121850-61170	PIN, LINK			1					
13	2	121850-61180	PIN, LINK			1					
14	2	121850-61190	SPRING			1					
15	2	124610-61200	WEIGHT ASSY,GOVERNOR			1					
22	2	128300-61300	SLEEVE ASSY			1					
23	3	121850-61310	SHIFTER			1					
24	3	121850-61320	BEARING, THRUST			1					
25	3	121850-61350	CIRCLIP			1					
26	3	128300-61350	SLEEVE			1					
27	2	121850-61380	NUT			1					
28	2	121850-61390	SPRING			1					
29	2	124616-61401	SHAFT ASSY			1					
32	3	124616-61440	LEVER, CONTROL			1					
33	3	22322-030250	PIN, TAPER 3X25			2					
34	2	124616-61410	ROLLER			1					
35	2	124616-61431	GUIDE, SPRING			1					
36	2	129795-61430	BUSH			2					
37	2	124616-61451	PIN			1					
38	2	124616-61460	ROLLER			2					
39	2	121850-61470	BOLT, LIMITER			1					
40	2	121855-61910	BOLT, LIMITER			1					
41	2	129795-61470	PLUG, 20			1					
42	2	124616-61480	BUSH			1					
43	2	123560-61500	LEVER ASSY, GOVERNOR			1					
44	3	123560-61510	LEVER, TENSION			1					
45	3	124616-61520	LEVER, GOVERNOR			1					
46	3	121850-61531	BEARING, NEEDLE			2					
47	2	120320-61540	SEAL, SC102004			1					
48	2	124616-61540	SHIFTER			1					
49	2	123560-61550	SPRING, FUEL CONTROL			1					
50	2	121850-61580	PIECE			1					
51	2	121850-61590	PIECE			1					
52	2	120130-61600	SPRING, FUEL CONTROL			1					
53	2	124616-61650	SPRING			1					
54	2	148616-61650	SEAL, VC081404			1					
55	2	124616-61660	BOLT			1					
56	2	123560-61710	SPRING, GOVERNOR			1					
57	2	124410-61770	SHAFT ASSY			1					
58	3	124410-61780	LEVER, STOP			1					
59	3	121850-61790	SHAFT, STOP LEVER			1					

N:Old  $\xrightarrow{\text{Yes}}$  New, Q:Old  $\xrightarrow{\text{No}}$  New, R:Old  $\xrightarrow{\text{Yes}}$  New, S:Old  $\xrightarrow{\text{No}}$  New, W:Add, Z:Discontinued, F:Interchangeable by set, K:Q'ty Change  
 ++ CONTINUE ++  
 Copyright (C) YANMAR CO., LTD. All Rights Reserved.

Fig.42. GOVERNOR

(A)=4TN100L-NC  
 (B)=4TN100TL-NC  
 (C)=4T112TL-NC

(D)=  
 (E)=  
 (F)=

No.	Lev.	Parts No.	Description	Q'ty						I	R
				(A)	(B)	(C)	(D)	(E)	(F)		
60	3	121850-61810	LEVER, STOP			1					
61	3	121850-61820	PIN			1					
62	3	22351-030016	PIN, SPRING 3.0X16			2					
63	2	121850-61840	BUSH			1					
64	2	124410-61860	SPRING			1					
65	2	124410-61870	BOLT			1					
66	2	124616-61900	BOLT ASSY			1					
67	3	129155-61930	NUT, CAP			1					
68	3	124616-61940	BOLT, CONTROL			1					
69	3	23414-100014	GASKET, 10X1.0			2					
70	3	26696-100002	NUT, LOCK M10			1					
71	2	128300-61920	SCREW			1					
72	2	22117-050000	WASHER, 5			4					
73	2	22117-100000	WASHER, 10			1					
74	2	43400-500420	SEAL WASHER 8			2					
75	2	22272-000040	RING, E- 4			2					
76	2	22272-000040	RING, E- 4			1					
77	2	22272-000040	RING, E- 4			2					
78	2	22272-000070	RING, E- 7			1					
79	2	22351-020016	PIN, SPRING 2.0X16			1					
80	2	22351-050012	PIN, SPRING 5.0X12			1					
81	2	22360-050000	SNAP PIN 5			2					
82	2	22451-100000	WIRE, 1.0			2					
83	2	22492-060362	PIN, B6X36			1					
84	2	23414-080012	GASKET, 8X1.0			1					
85	2	23414-120016	GASKET, 12X1.0			1					
86	2	23887-120002	PLUG, 12			1					
87	2	24311-000160	O-RING, 1AP16.0			1					
88	2	24341-000080	O-RING, 1AS8.0			1					
89	2	24341-000140	O-RING, 1AS14.0			2					
90	2	26022-050122	SCREW, M5X12			3					
91	2	26106-060142	BOLT, M6X 14 PLATED			3					
92	2	26106-060222	BOLT, M6X 22 PLATED			4					
93	2	26116-060256	BOLT, M6X 25 PLATED			2					
94	2	26226-060122	STUD, M6X 12			1					
95	2	26366-060002	NUT, M6			1					
96	2	26450-060452	BOLT, M6X 45			1					
97	2	26686-120002	NUT, CAP M12			1					
98	2	26757-080002	NUT, LOCK M8			2					
99	2	26776-120002	NUT, LOCK M12			1					
100	2	43400-500450	SEAL WASHER 12S			1					
101	2	124616-61490	BOLT, M6X18			3					

023660-61100

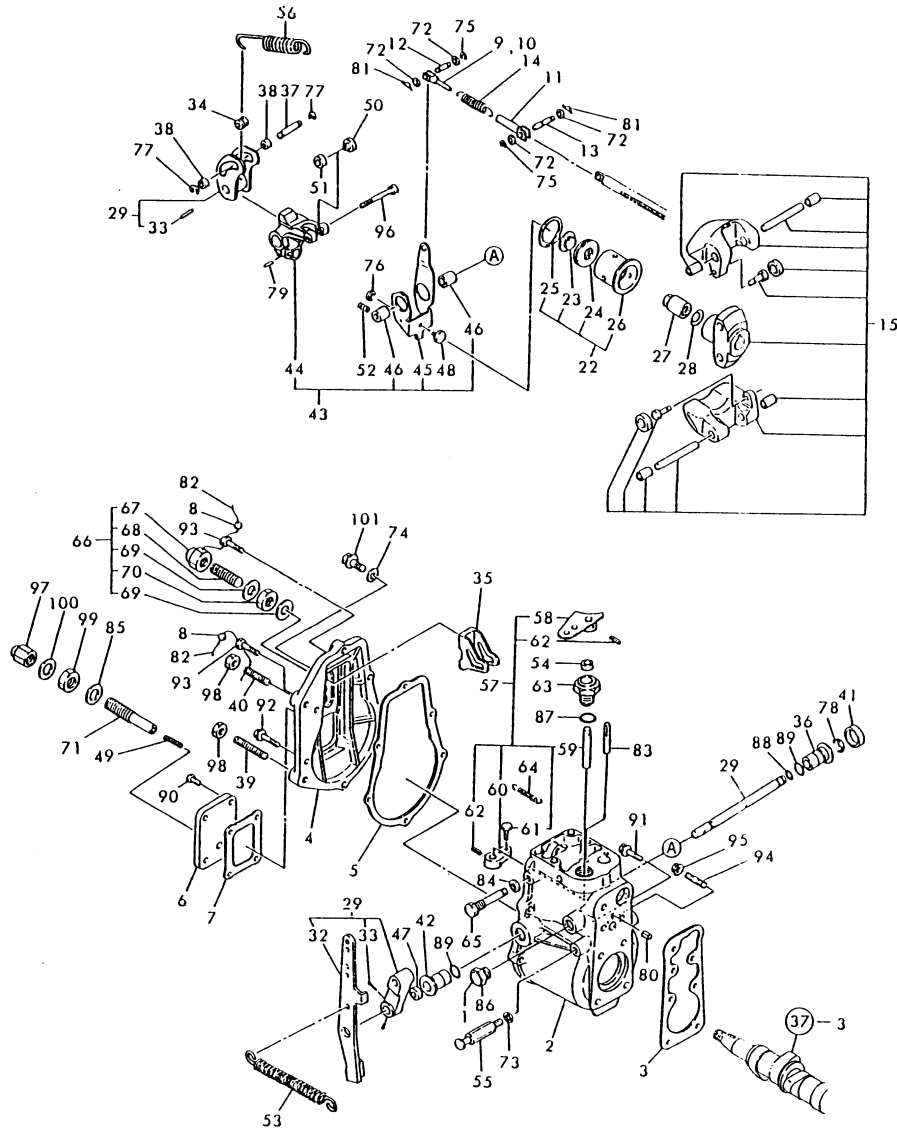


Fig.43. ENGINE STOP DEVICE

(A)=4TN100L-NC  
 (B)=4TN100TL-NC  
 (C)=4T112TL-NC

(D)=  
 (E)=  
 (F)=

023562-66100

No.	Lev.	Parts No.	Description	Q'ty						I	R
				(A)	(B)	(C)	(D)	(E)	(F)		
1	1	26106-060142	BOLT, M6X 14 PLATED			4					
2	1	124411-67830	STOPPER ASSY			1					
3	1	124610-66510	LEVER			1					
4	1	123561-66450	BRACKET			1					
5	1	26013-060122	BOLT, M6X 12			2					
6	1	26366-060002	NUT, M6			2					
7	1	26117-040088	BOLT M 4X 8 PLATED			1					
8	1	106500-44870	STOPPER			1					

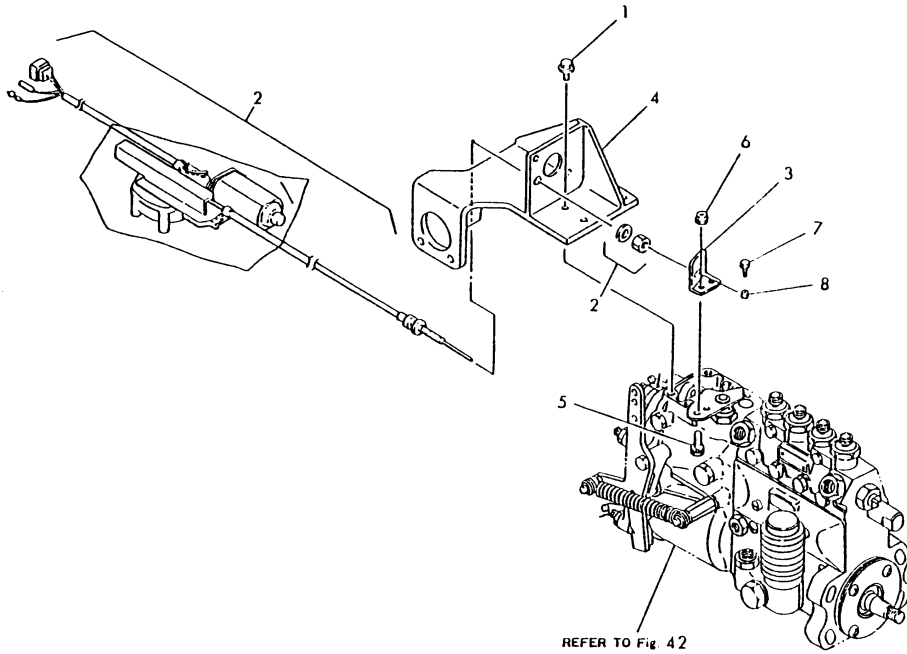
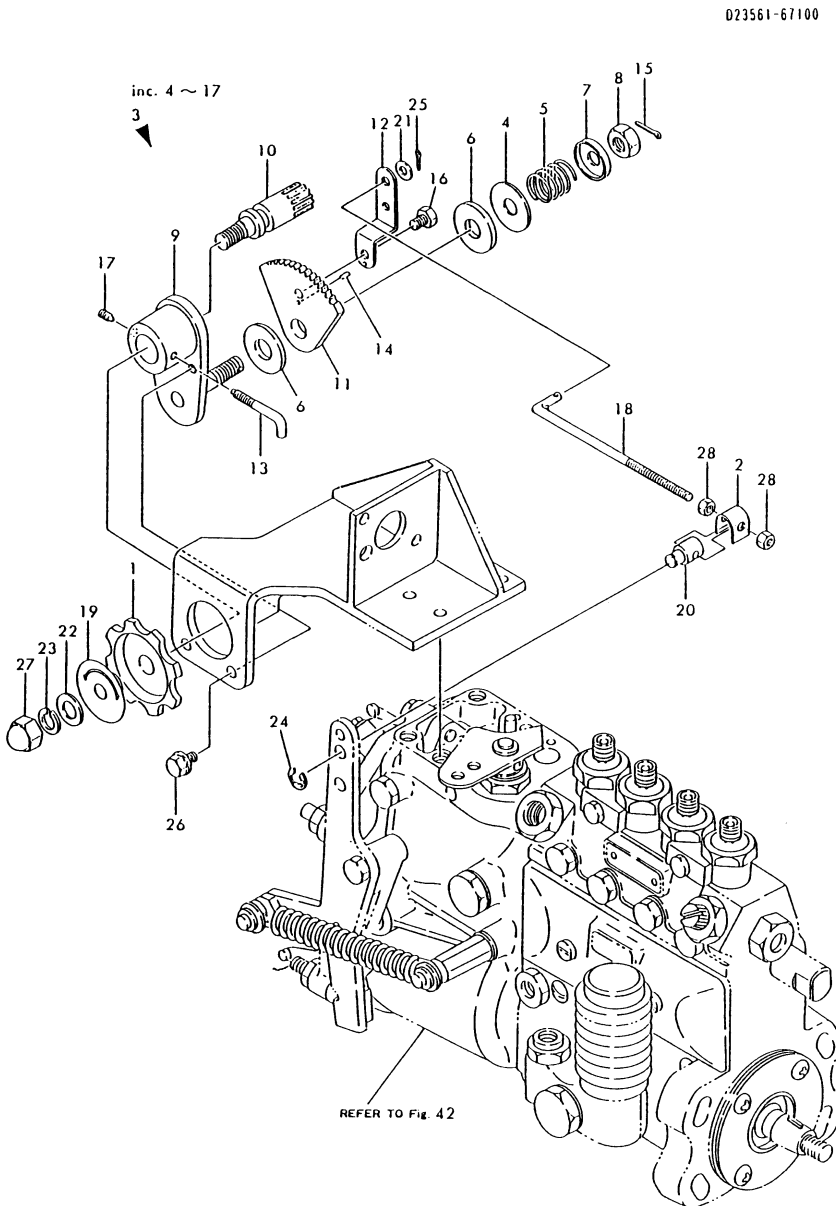


Fig.44. REGURATOR

(A)=4TN100L-NC  
 (B)=4TN100TL-NC  
 (C)=4T112TL-NC

(D)=  
 (E)=  
 (F)=

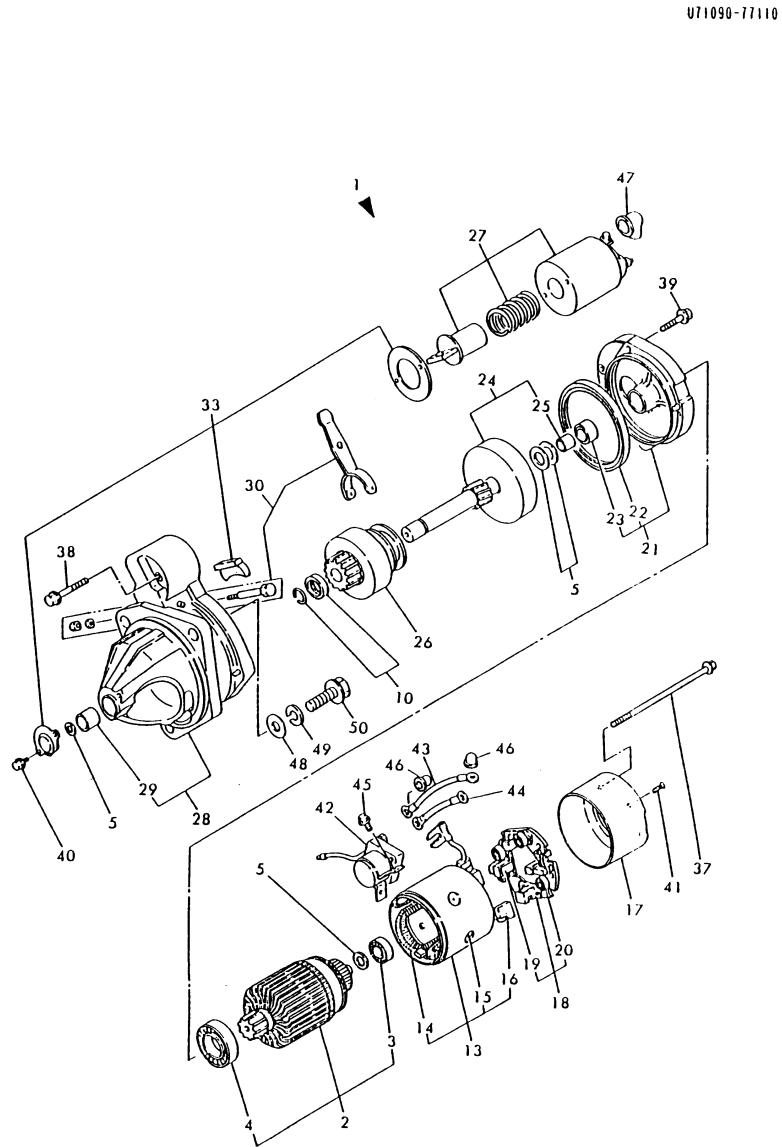


No.	Lev.	Parts No.	Description	Qty						I	R
				(A)	(B)	(C)	(D)	(E)	(F)		
1	1	126650-66020	HANDLE, REGULATOR			1					
2	1	121400-66170	WASHER			1					
3	1	171048-67010	CONTROLLER ASSY			1					
4	2	171102-66080	WASHER			1					
5	2	104200-66820	SPRING			1					
6	2	104200-66830	PLATE, FRICTION			2					
7	2	104200-66850	WASHER			1					
8	2	104200-66860	NUT			1					
9	2	171085-67100	BRACKET			1					
10	2	171085-67110	SHAFT, DRIVE			1					
11	2	171085-67120	GEAR			1					
12	2	171048-67130	LEVER			1					
13	2	171048-67140	STOPPER			1					
14	2	22351-020006	PIN, SPRING 2.0X 6			1					
15	2	22411-200150	COTTER PIN			1					
16	2	26116-060082	BOLT, M6X 8 PLATED			1					
17	2	26921-050122	SCREW, M5X12			1					
18	1	123561-67200	ROD			1					
19	1	170064-67210	LABEL, HANDLE			1					
20	1	171085-67210	PIVOT			1					
21	1	22117-050000	WASHER, 5			1					
22	1	22117-100000	WASHER, 10			1					
23	1	22217-100000	WASHER, SPRING 10			1					
24	1	22272-000070	RING, E- 7			1					
25	1	22417-200120	COTTER PIN 2.0X12			1					
26	1	26106-060102	BOLT, M6X 10 PLATED			2					
27	1	26657-100002	NUT, CAP M10			1					
28	1	26757-050002	NUT, LOCK M5			2					

Fig.45. STARTING MOTOR

(A)=4TN100L-NC  
 (B)=4TN100TL-NC  
 (C)=4T112TL-NC

(D)=  
 (E)=  
 (F)=



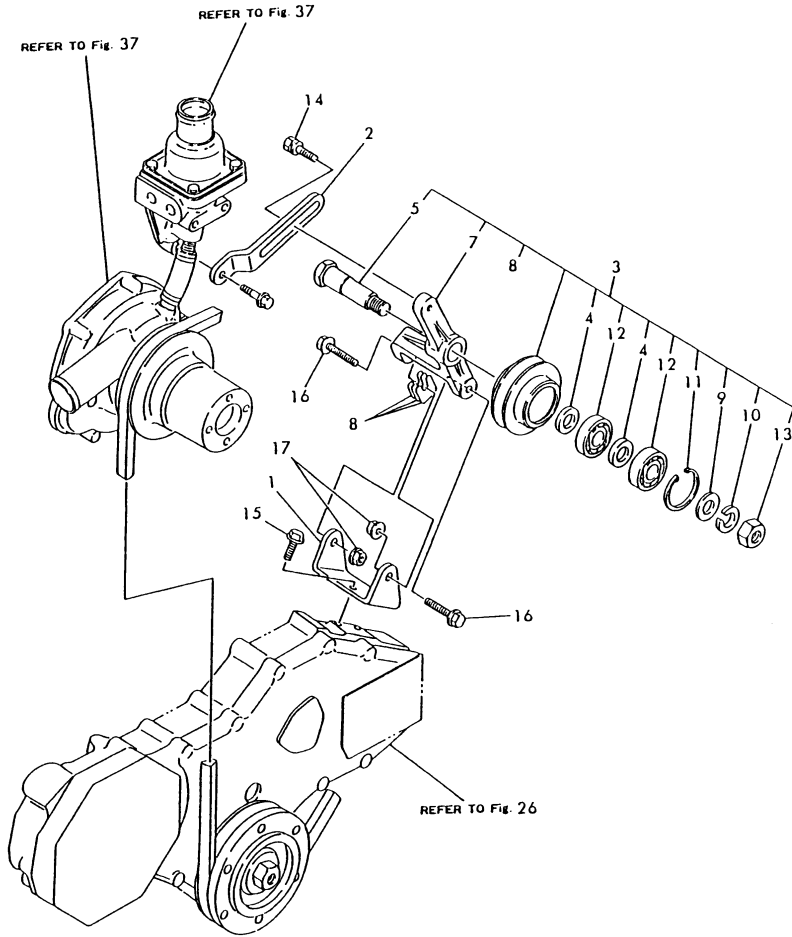
No.	Lev.	Parts No.	Description	Qty						I	R
				(A)	(B)	(C)	(D)	(E)	(F)		
1	1	124617-77010	STARTER, 24V-4KW			1					
2	2	119129-77400	ARMATURE ASSY			1					
3	3	121254-77410	BALL BEARING			1					
4	3	121254-77420	BALL BEARING			1					
5	2	121254-77430	WASHER KIT, THRUST			1					
10	2	119129-77670	STOPPER SET, PINION			1					
13	2	121254-77510	YORK ASSY			1					
14	3	119129-77440	COIL ASSY, FIELD			1					
15	3	121254-77530	SCREW, POLE CORE			4					
16	3	119129-77460	BRUSH(+)			2					
17	2	119129-77530	COVER, REAR			1					
18	2	119129-77470	HOLDER ASSY, BRUSH			1					
19	3	119129-77480	BRUSH(-)			2					
20	3	121254-77590	SPRING			4					
21	2	121254-77600	BEARING ASSY, CENTER			1					
22	3	119129-77210	SEAL, OIL			1					
23	3	119129-77220	BEARING, NEEDLE			1					
24	2	121254-77610	SEAL, OIL			1					
25	3	121254-77650	INNER			1					
26	2	119129-77630	PINION ASSY			1					
27	2	119129-77640	SWITCH ASSY,MAGNETIC			1					
28	2	119129-77650	CASE ASSY, GEAR			1					
29	3	119129-77660	BEARING, METAL			1					
30	2	121254-77700	LEVER SET, SHIFT			1					
33	2	121254-77730	DUST COVER SET			1					
37	2	121254-77770	BOLT, THROUGH			2					
38	2	26106-060452	BOLT, M6X 45 PLATED			2					
39	2	26106-060302	BOLT, M6X 30 PLATED			3					
40	2	26450-050122	BOLT, M5X 12			2					
41	2	26557-040122	SCREW, M4X12			2					
42	2	119129-77700	RELAY, STARTER			1					
43	2	119129-77710	WIRE-HARNESS			1					
44	2	119129-77720	WIRE-HARNESS			1					
45	2	26116-050082	BOLT, M5X 8 PLATED			2					
46	2	119129-77740	COVER, TERMINAL			3					
47	2	121254-77810	COVER, TERMINAL			1					
48	1	22137-120000	WASHER, 12			3					
49	1	22217-120000	WASHER, SPRING 12			3					
50	1	26116-120352	BOLT, M12X 35 PLATED			3					

Fig.46. TENSION PULLEY

(A)=4TN100L-NC  
 (B)=4TN100TL-NC  
 (C)=4T112TL-NC

(D)=  
 (E)=  
 (F)=

023561-77400

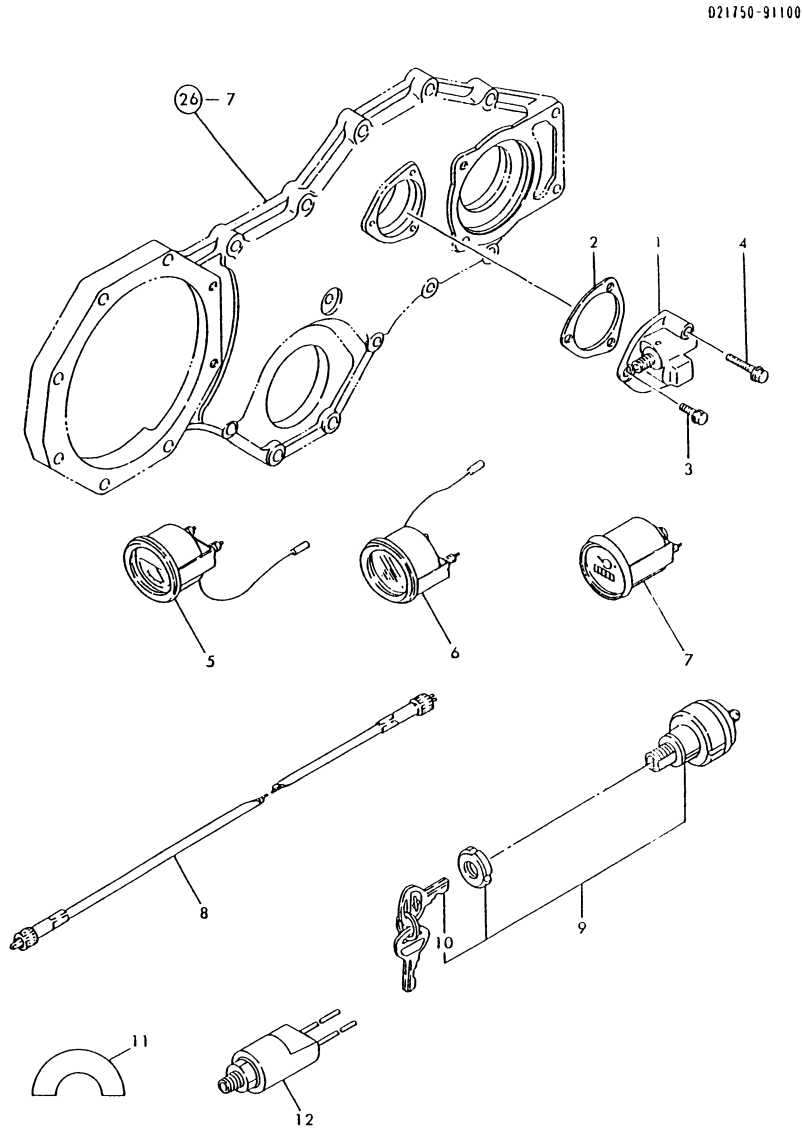


No.	Lev.	Parts No.	Description	Qty						I	R
				(A)	(B)	(C)	(D)	(E)	(F)		
1	1	123550-77260	SUPPORT			1					
2	1	123500-77330	ADJUSTER			1					
3	1	124610-77400	PULLEY ASSY, TENSION			1					
4	2	145640-43740	SPACER, D30 20.5 T6			2					
5	2	127450-77290	SHAFT, PULLEY			1					
7	2	124610-77370	BRACKET, PULLEY			1					
8	2	124610-77380	SHIM			3					
9	2	22137-160000	WASHER, 16			1					
10	2	22217-160000	WASHER, SPRING 16			1					
11	2	22252-000470	RING, 47			1					
12	2	24102-062044	BEARING, BALL 6204U			2					
13	2	26776-160002	NUT, LOCK M16			1					
14	1	26014-080252	BOLT, M8X 25			1					
15	1	26106-080202	BOLT, M8X 20 PLATED			2					
16	1	26106-080302	BOLT, M8X 30 PLATED			2					
17	1	26366-080002	NUT, M8			2					

Fig.47. ELECTRIC PARTS

(A)=4TN100L-NC  
 (B)=4TN100TL-NC  
 (C)=4T112TL-NC

(D)=  
 (E)=  
 (F)=



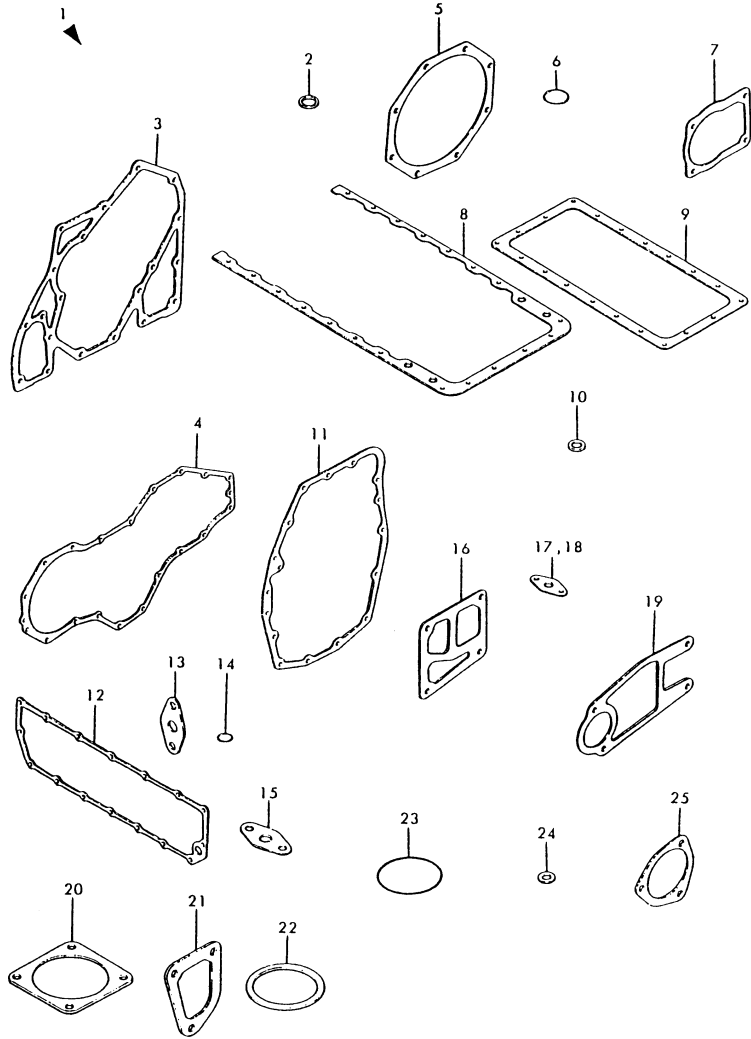
No.	Lev.	Parts No.	Description	Qty						I	R
				(A)	(B)	(C)	(D)	(E)	(F)		
1	1	121750-91400	GEAR			1					
2	1	124250-91412	GASKET			1					
3	1	26106-060142	BOLT, M6X 14 PLATED			2					
4	1	26106-060302	BOLT, M6X 30 PLATED			1					
5	1	46150-502340	THERMOMETER, WATER			1					
6	1	46150-006261	PRESS. GAUGE			1					
7	1	171011-91100	TACHOMETER			1					
8	1	42130-502220	CABLE, TACHOMETER			1					
9	1	121400-91251	SWITCH, STARTER			1					
10	2	121400-91271	KEY, SWITCH			1					
11	1	171085-91610	LABEL			1					
12	1	46111-500600	SWITCH			1					



Fig.48. GASKET SET(CYLINDER BLOCK)

(A)=4TN100L-NC  
 (B)=4TN100TL-NC  
 (C)=4T112TL-NC

(D)=  
 (E)=  
 (F)=



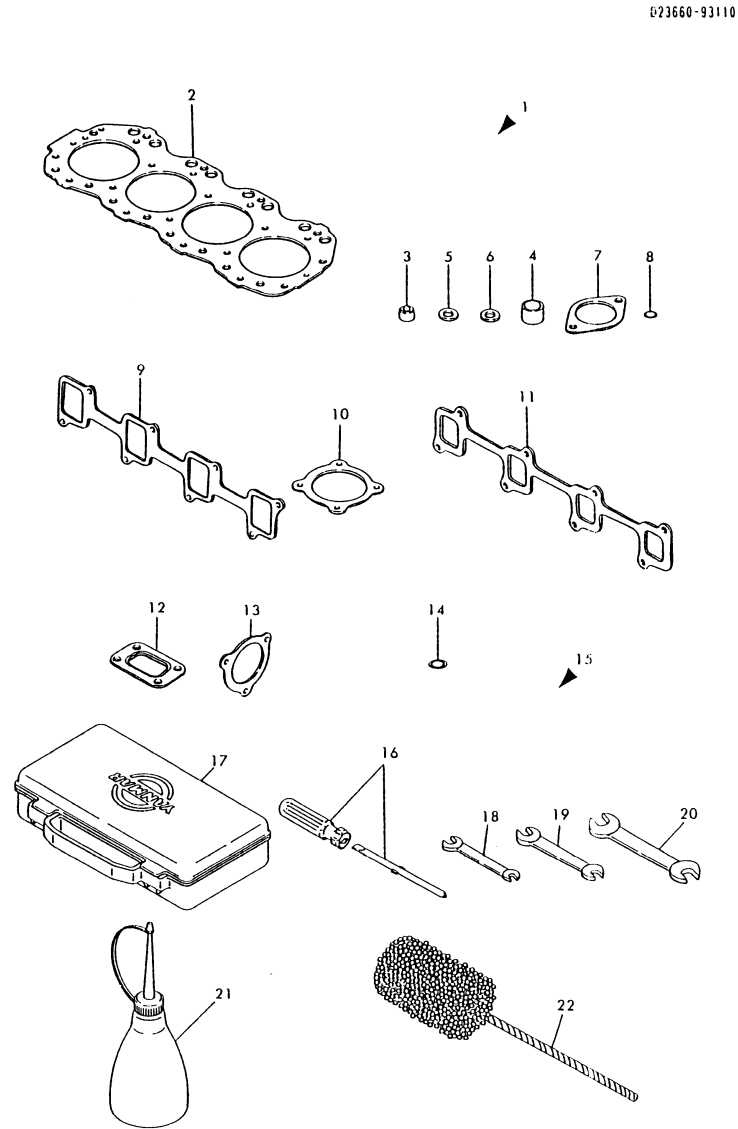
No.	Lev.	Parts No.	Description	Qty						I	R	
				(A)	(B)	(C)	(D)	(E)	(F)			
1	1	723562-92622	GASKET SET, BLOCK			1						1
2	2	123372-11760	GASKET			3						
3	2	123500-01510	GASKET, GEAR CASE			1						
4	2	123500-01530	GASKET, GEAR CASE			1						
5	2	123500-01560	GASKET			1						
6	2	24321-000350	O-RING, 1AG35.0			2						
7	2	124610-01862	GASKET			2						
8	2	123500-01710	GASKET, OIL SUMP			1						
9	2	123500-01731	GASKET, OIL SUMP			1						
10	2	43400-500490	SEAL WASHER 16S			3						
11	2	123550-01810	GASKET			1						
12	2	123500-01410	GASKET			1						
13	2	123672-33070	GASKET			2						
14	2	24311-000200	O-RING, 1AP20.0			1						
15	2	127610-35040	GASKET, PUMP			1						
16	2	123500-35120	GASKET			1						
17	2	127410-39040	GASKET			1						
18	2	123500-39130	GASKET			2						
19	2	123550-42021	GASKET			1						
20	2	124610-49290	GASKET			1						
21	2	123550-49520	GASKET, THERMOSTAT			1						
22	2	123500-49550	GASKET			1						
23	2	124410-51960	O-RING			1						
24	2	43400-500470	SEAL WASHER 14S			4						
25	2	124250-91412	GASKET			1						

Remarks  
 (1) OPTIONAL PART.

Fig.49. GASKET SET(CYL. HEAD) & TOOLS

(A)=4TN100L-NC  
(B)=4TN100TL-NC  
(C)=4T112TL-NC

(D)=  
(E)=  
(F)=



No.	Lev.	Parts No.	Description	Q'ty						I	R
				(A)	(B)	(C)	(D)	(E)	(F)		
1	1	723660-92631	GASKET SET, HEAD			1					1
2	2	123500-01330	GASKET, HEAD			1					
3	2	127610-11280	SEAL, VALVE STEM			8					
4	2	127422-11920	SEAL			4					
5	2	128610-11900	INSULATOR			4					
6	2	128610-11910	GASKET, NOZZLE			4					
7	2	123500-03030	GASKET			1					
8	2	24311-000120	O-RING, 1AP12.0			4					
9	2	123500-12110	GASKET, MANIFOLD			1					
10	2	124411-12560	GASKET, SILENCER			1					
11	2	123500-13110	GASKET			1					
12	2	123650-18080	GASKET			1					
13	2	121252-18190	GASKET			1					
14	2	24316-000200	O-RING, 4DP20.0			1					
15	1	171001-93100	BOX, TOOL			1					
16	2	104200-92350	DRIVER, SCREW			1					
17	2	104200-92600	BOX, TOOL			1					
18	2	28110-100120	SPANNER, 10X12			1					
19	2	28110-140170	SPANNER, 14X17			1					
20	2	28110-190220	SPANNER, 19X22			1					
21	2	28210-000140	OILER			1					
22	1	129400-92420	HONE			1					1

Remarks  
(1) OPTIONAL PART.

## Parts No. Index

Parts No.	Fig. No.	Ref. No.
101304-59020	16	1
		16
103200-53210	39	14
103854-59191	16	3
103854-59201	16	4
104200-66820	19	6
	44	5
104200-66830	19	7
	44	6
104200-66850	19	8
	44	7
104200-66860	19	9
	44	8
104200-92350	24	20
	49	16
104200-92600	24	25
	49	17
104407-44480	25	40
105025-59530	16	7
105025-59760	16	8
105425-01690	27	5
		11
	36	33
105582-39150	35	27
106100-55800	8	14
	21	14
106500-44870	18	7
	43	8
114250-53080	15	5
114250-53120	15	9
114250-53130	15	10
114250-53140	15	11
114250-53210	15	12
114250-53400	15	13
119000-01200	1	38
119000-01590	2	17
119000-01660	9	5
119000-01760	2	6
119000-01771	2	8
	23	4
119000-01840	1	10
119000-01930	2	21
119000-02020	1	11
119000-02410	1	4
119000-02450	8	2
119000-07200	5	60
119000-11110	5	32
119000-11230	5	45
119000-11260	5	48
119000-11270	5	49

Parts No.	Fig. No.	Ref. No.
119000-11280	5	50
119000-11290	5	51
119000-11810	5	63
119000-14100	8	4
119000-14200	8	6
119000-21650	9	13
119000-22000	9	23
119000-22300	9	31
119000-23910	9	39
119000-25050	1	20
119000-25060	1	51
119000-25100	1	49
119000-25900	8	10
119000-25910	8	11
119000-25920	8	12
119000-32001	3	20
119000-32020	3	23
	23	8
119000-33021	11	3
	23	9
119000-33030	11	4
119000-33041	11	5
	23	10
119000-33050	11	6
119000-35140	1	26
119000-39650	1	22
119000-42021	10	17
	23	12
119000-42051	10	3
119000-42121	10	4
119000-42141	10	5
119000-42151	10	6
119000-42201	10	7
119000-42240	10	8
119000-42250	10	20
119000-42261	10	9
119000-48170	10	24
119000-51050	12	6
119000-51060	12	8
119000-51101	12	12
119000-51151	12	15
119000-51161	12	18
119000-51170	12	19
119000-51181	12	20
119000-51201	12	21
119000-51330	12	32
119000-51340	12	33
119000-51360	12	35
119000-51410	12	36
119000-51430	12	16

Parts No.	Fig. No.	Ref. No.
119000-51450	12	37
119000-51510	12	45
119000-51530	12	80
119000-51550	12	47
119000-51570	12	48
119000-51580	12	49
119000-51590	12	50
119000-51650	12	51
119000-51800	12	64
119000-51900	12	65
119000-51911	12	67
119000-52000	14	1
119000-52100	14	7
119000-53000	15	2
119000-55600	16	37
119000-59550	16	20
119000-59560	16	21
119000-61000	13	1
119000-61051	13	4
119000-61120	13	9
119000-61140	13	10
119000-61150	13	11
119000-61160	13	12
119000-61170	13	13
119000-61180	13	14
119000-61190	13	15
119000-61200	13	16
119000-61300	13	20
119000-61380	13	25
119000-61400	13	26
119000-61430	13	29
119000-61470	13	31
119000-61490	13	32
119000-61500	13	33
119000-61630	13	44
119000-61700	13	136
119000-61841	13	55
119000-77340	21	10
119006-03090	4	11
119006-42001	10	1
119032-61700	13	137
119100-01340	1	39
	24	3
119100-01640	9	1
119100-01730	3	5
119100-01770	3	1
119100-01980	1	40
119100-11240	5	42
119100-11311	4	4
119100-11360	4	14

Parts No.	Fig. No.	Ref. No.
119100-11360	24	18
119100-12112	6	6
	24	8
119100-12120	6	3
119100-13100	6	10
119100-13200	6	11
	24	9
119100-14000	8	1
119100-34800	3	14
119100-35090	3	16
119100-35100	1	37
119100-39350	3	27
119100-44590	10	35
119100-51000	12	3
119100-51030	12	5
119100-51081	12	9
119100-51091	12	10
119100-51500	12	44
119100-59810	15	25
119100-59820	15	29
119100-59830	15	33
119100-59840	15	37
119100-61440	13	86
119100-61771	13	51
119100-61860	13	56
119101-11110	5	14
119101-12850	6	14
119101-13100	6	17
119101-13200	6	18
	24	17
119101-18010	7	3
119101-18500	7	4
119101-18510	7	11
119101-18520	7	15
119101-18530	7	17
119101-18540	7	18
119101-18550	7	19
119101-18560	7	20
119101-18570	7	21
119101-39600	3	30
119101-39650	3	32
119129-77210	20	22
	45	22
119129-77220	20	23
	45	23
119129-77400	20	2
	45	2
119129-77440	20	14
	45	14
119129-77460	20	16

## Parts No. Index

Parts No.	Fig. No.	Ref. No.
119129-77460	45	16
119129-77470	20	18
	45	18
119129-77480	20	19
	45	19
119129-77530	20	17
	45	17
119129-77630	20	26
	45	26
119129-77640	20	27
	45	27
119129-77650	20	28
	45	28
119129-77660	20	29
	45	29
119129-77670	20	10
	45	10
119129-77700	20	42
	45	42
119129-77710	20	43
	45	43
119129-77720	20	44
	45	44
119129-77740	20	46
	45	46
119131-18390	6	29
119131-18400	6	30
119140-01600	9	20
119140-12130	6	34
119140-39610	11	25
119140-44531	10	33
119140-66500	18	1
119140-95910	11	1 -1
119141-44531	10	34
119141-44760	10	23
119141-49011	10	45
119141-49020	10	46
119141-67200	19	20
119620-49290	1	23
119625-11870	5	39
		54
	24	6
119625-11880	5	40
		55
	24	7
119625-11900	5	41
		56
119660-42310	10	10
119888-66130	19	2
120130-11800	29	25

Parts No.	Fig. No.	Ref. No.
120130-49350	25	8
120130-61600	42	52
120320-61540	42	47
120323-61060	13	5
120323-61070	13	6
120323-61470	13	87
121027-11742	26	5
121250-39450	11	17
	35	45
121250-44901	10	29
	36	35
121250-49110	16	9
121252-18190	32	36
	49	13
121252-39150	3	26
	35	28
121254-77410	20	3
	45	3
121254-77420	20	4
	45	4
121254-77430	20	5
	45	5
121254-77510	20	13
	45	13
121254-77530	20	15
	45	15
121254-77590	20	20
	45	20
121254-77600	20	21
	45	21
121254-77610	20	24
	45	24
121254-77650	20	25
	45	25
121254-77700	20	30
	45	30
121254-77730	20	33
	45	33
121254-77770	20	37
	45	37
121254-77810	20	47
	45	47
121400-66170	19	3
	44	2
121400-91251	22	4
	47	9
121400-91271	22	5
	47	10
121420-01760	2	7
	23	3

Parts No.	Fig. No.	Ref. No.
121420-01760	24	4
121520-34810	3	15
	27	10
121522-77330	21	15
121575-21850	21	1
121750-59890	41	25
121750-59910	41	23
121750-91400	47	1
121820-52020	14	2
	38	2
121820-52040	14	4
	38	4
121820-52050	14	5
	38	5
121820-52070	14	6
	38	6
121820-52100	38	7
121820-52110	14	8
	38	8
121820-52120	38	9
121820-52140	14	11
	38	11
121820-52170	14	15
	38	13
121820-52180	14	16
	38	14
121820-52190	14	17
	38	15
121820-52200	14	18
	38	16
121820-52210	14	19
	38	17
121820-52230	14	20
	38	18
121820-52300	14	21
	38	20
121820-52400	14	22
	38	21
121820-52510	14	14
	38	22
121850-01800	2	19
	23	6
121850-01900	8	9
121850-01920	2	4
		36
121850-11100	5	13
		31
121850-11120	5	15
		33
121850-11150	5	16

Parts No.	Fig. No.	Ref. No.
121850-11150	5	34
	24	5
121850-11180	5	17
		35
121850-11800	5	62
121850-21130	9	16
121850-21200	9	8
121850-21290	9	9
121850-21660	9	14
121850-21680	9	15
121850-21920	9	10
121850-23200	9	36
121850-32530	31	17
121850-35210	35	8
121850-35220	35	9
121850-35230	35	10
121850-35531	35	13
121850-44800	10	36
	36	14
121850-44810	10	37
121850-44830	10	38
	36	16
121850-44840	10	39
	36	17
121850-44850	10	40
	36	18
121850-44860	10	41
	36	19
121850-44870	10	42
	36	20
121850-44880	10	43
	36	21
121850-44910	10	44
	36	22
121850-49530	10	25
121850-49540	10	26
	24	12
121850-49550	10	27
	24	13
121850-51070	37	7
121850-51380	37	30
121850-51390	37	31
121850-51450	37	33
121850-51530	37	40
121850-51700	12	63
	37	57
121850-59910	41	11
121850-61011	42	2
121850-61050	42	3
121850-61071	42	5

## Parts No. Index

Parts No.	Fig. No.	Ref. No.
121850-61140	42	9
121850-61150	42	10
121850-61160	42	11
121850-61170	42	12
121850-61180	42	13
121850-61190	42	14
121850-61310	42	23
121850-61320	42	24
121850-61350	42	25
121850-61380	42	27
121850-61390	42	28
121850-61470	42	39
121850-61531	42	46
121850-61580	42	50
121850-61590	42	51
121850-61600	13	43
121850-61790	42	59
121850-61810	42	60
121850-61820	42	61
121850-61840	42	63
121850-77021	6	4
		37
	24	14
121855-59111	16	2
121855-59880	16	10
121855-61910	13	57
	42	40
121875-61551	13	88
121950-51500	37	37
121950-51751	37	62
121950-51761	37	63
121950-51910	37	71
121952-33071	11	7
	23	11
121952-39600	35	47
121952-39651	27	56
121952-51330	37	26
121952-51370	37	29
121952-51900	12	66
	37	69
121972-44740	10	22
122117-51560	37	43
122710-11240	28	7
		13
122710-51050	12	7
	37	4
122710-51160	37	12
122710-51170	37	13
122710-51180	37	14
122710-51270	37	22

Parts No.	Fig. No.	Ref. No.
122710-51350	12	34
	37	28
122710-51510	37	38
122710-51520	37	39
122710-51540	37	41
122710-51571	37	44
122710-51580	37	45
122710-51590	37	46
122710-51701	37	58
122710-51721	37	60
122710-51790	37	64
122710-51870	37	65
	38	19
122710-51880	37	66
122710-51900	37	70
122710-51920	12	68
	37	74
122780-59100	41	1
123325-35110	17	5
	40	22
123325-35140	17	3
	40	20
123325-52010	38	1
123372-11760	25	6
	48	2
123385-82200	5	8
		26
123472-59090	15	20
123472-59120	41	2
123482-39660	35	55
123500-01100	25	5
123500-01330	25	33
	49	2
123500-01410	34	8
	48	12
123500-01500	26	1
123500-01510	26	6
	48	3
123500-01520	26	7
123500-01530	26	8
	48	4
123500-01550	26	9
123500-01560	26	10
	48	5
123500-01710	27	16
	48	8
123500-01731	27	8
	48	9
123500-01760	27	4
123500-01900	26	15

Parts No.	Fig. No.	Ref. No.
123500-02160	31	1
123500-02870	25	34
123500-02940	25	37
123500-03021	28	25
123500-03030	28	26
	49	7
123500-03071	28	29
123500-11050	29	6
123500-11100	29	16
123500-11110	29	17
123500-11121	29	18
123500-11200	28	3
123500-11210	28	9
123500-11250	28	14
123500-11260	28	15
123500-11270	28	16
123500-11800	29	37
123500-11810	29	36
123500-12100	30	1
123500-12110	30	2
	49	9
123500-13110	30	16
	49	11
123500-14100	31	6
123500-14200	31	7
123500-14400	31	8
123500-21200	33	3
123500-22090	33	14
123500-23200	33	25
123500-23610	33	28
123500-25070	31	9
123500-25080	31	12
123500-25110	31	10
123500-25900	31	19
123500-32000	27	26
123500-32500	31	14
123500-35010	27	44
123500-35120	35	16
	48	16
123500-39130	48	18
123500-39131	35	25
123500-39300	35	33
123500-49550	36	29
	48	22
123500-51300	37	23
123500-51600	37	47
123500-59021	41	9
123500-59950	41	12
123500-77330	46	2
123550-01710	27	1

Parts No.	Fig. No.	Ref. No.
123550-01810	27	25
	48	11
123550-11300	28	22
123550-21600	33	13
123550-21650	33	8
123550-39100	35	21
123550-39150	27	50
123550-39200	35	29
123550-42001	36	1
123550-42021	36	3
	48	19
123550-49030	36	9
123550-49510	36	26
123550-49520	36	27
	48	21
123550-49530	36	28
123550-55690	40	14
123550-59550	41	18
123550-77260	46	1
123560-01800	27	21
123560-21590	33	11
123560-42251	36	2
123560-44760	36	13
123560-49350	36	39
123560-49360	36	40
123560-51100	37	9
123560-59020	41	19
123560-61500	42	43
123560-61510	42	44
123560-61550	42	49
123560-61710	42	56
123561-66450	43	4
123561-67200	44	18
123600-12052	32	29
123600-12080	32	30
123600-12090	32	31
123600-12109	32	32
123600-33031	34	2
123600-35100	35	1
123600-39401	35	36
123600-39420	35	39
123600-39551	35	46
123600-53002	39	2
123650-18010	32	1
123650-18080	32	35
	49	12
123650-59900	41	3
123650-59910	41	4
123650-59920	41	5
123650-59930	41	6

## Parts No. Index

Parts No.	Fig. No.	Ref. No.
123660-18290	30	9
123660-18380	30	10
123660-44500	36	11
123660-51920	37	75
123672-01782	27	20
123672-21500	33	7
123672-21510	33	10
123672-21861	33	9
123672-33070	34	4
	48	13
123672-34040	35	3
123672-34070	35	4
123672-34350	35	5
123672-35151	35	17
123672-55750	40	7
123672-55760	40	8
123672-55811	17	11
	40	28
123678-18320	30	7
123678-55720	40	2
123678-55770	40	9
123678-55790	17	7
	40	10
		24
123678-55850	40	11
123678-55860	17	8
	40	12
		25
123678-55870	40	13
123678-55880	40	4
123678-55890	40	5
123682-39560	35	65
123682-44210	36	12
124060-59380	16	5
124066-59100	16	17
124070-13300	3	40
124070-66580	41	29
124160-01751	2	5
	4	2
	26	3
	28	33
124160-11360	28	23
124160-39140	27	55
124220-51890	37	67
124223-35510	35	11
124250-11190	5	18
		36
124250-91412	47	2
	48	25
124323-84920	35	48

Parts No.	Fig. No.	Ref. No.
124410-51031	37	3
124410-51050	37	5
124410-51061	37	6
124410-51081	37	8
124410-51200	37	15
124410-51250	37	20
124410-51341	37	27
124410-51400	37	32
124410-51550	37	42
124410-51600	37	48
124410-51730	37	61
124410-51861	14	23
124410-51890	37	68
124410-51910	37	72
124410-51940	37	76
124410-51960	8	13
	23	13
	26	30
	37	78
	48	23
124410-51980	37	79
124410-51990	37	80
124410-61770	42	57
124410-61780	42	58
124410-61860	42	64
124410-61870	42	65
124411-01780	9	3
	23	5
124411-07220	29	1
124411-12560	30	4
	49	10
124411-67830	18	6
	43	2
124413-39710	3	33
124465-44950	10	30
	24	11
124610-01851	2	9
		20
		26
		11
		13
124610-01862	2	10
		22
		23
		7
		26
		12
		14
		7
124610-12580	30	20
124610-35140	35	7
124610-48610	36	24
124610-49290	36	25

Parts No.	Fig. No.	Ref. No.
124610-49290	48	20
124610-51970	42	1
124610-59010	41	20
124610-61200	42	15
124610-66510	18	2
	43	3
124610-77351	36	4
124610-77370	46	7
124610-77380	46	8
124610-77400	46	3
124616-61060	42	4
124616-61080	42	7
124616-61401	42	29
124616-61410	42	34
124616-61431	42	35
124616-61440	42	32
124616-61451	42	37
124616-61460	42	38
124616-61480	42	42
124616-61490	42	101
124616-61520	42	45
124616-61540	42	48
124616-61650	42	53
124616-61660	42	55
124616-61900	42	66
124616-61940	42	68
124617-77010	20	1
	45	1
124738-49150	25	30
124766-59050	25	31
	41	21
124976-34850	3	6
126630-53080	39	5
126630-53190	39	12
126650-11770	29	24
126650-66020	19	1
	44	1
127410-11180	29	20
127410-21480	9	19
127410-39040	35	20
	48	17
127412-18853	6	36
	30	18
127422-11920	29	34
	49	4
127450-77290	46	5
127610-01210	25	32
127610-02070	25	26
127610-03050	28	27
127610-03060	28	28

Parts No.	Fig. No.	Ref. No.
127610-03270	28	32
127610-11170	28	4
		10
127610-11280	29	22
	49	3
127610-11350	29	23
127610-35040	27	49
	48	15
127610-39350	41	27
127610-53330	39	16
127610-55820	40	15
127610-59011	41	8
127616-11230	28	6
		12
127616-22300	33	20
127616-22400	33	21
127616-23911	33	30
127675-39040	35	26
128300-59910	41	26
128300-59930	41	28
128300-61070	42	6
128300-61300	42	22
128300-61350	42	26
128300-61920	42	71
128400-51300	12	29
128610-02420	25	28
128610-11280	28	19
128610-11900	29	32
	49	5
128610-11910	29	33
	49	6
128610-11950	29	11
129100-01580	1	27
		28
		29
		2
		11
129100-59951	16	24
129100-61930	13	58
129150-03100	4	12
129150-11750	5	46
129150-14400	8	7
129150-59580	16	22
129150-91400	2	32
129155-51270	12	27
129155-51280	12	28
129155-61090	13	7
129155-61930	42	67
129255-59580	16	23
129400-13201	6	19
	24	10

## Parts No. Index

Parts No.	Fig. No.	Ref. No.
129400-92420	24	26
	49	22
129403-18620	7	16
129404-18510	7	5
129404-18520	7	6
129404-18530	7	7
129404-18540	7	8
129404-18550	7	9
129404-18560	7	10
129404-18580	7	12
129404-18590	7	13
129404-18600	7	14
129404-18680	7	22
129404-18720	7	25
129406-18690	7	23
129406-18700	7	24
129411-13300	6	20
129412-12460	6	35
129470-39610	11	29
	35	67
129470-55610	16	38
129470-59530	16	19
129470-61450	13	30
129495-59300	16	18
	41	24
129553-32130	27	34
129553-32320	27	37
129553-32330	27	38
129553-32340	27	39
129792-13520	6	28
	24	15
129792-18090	7	1
	24	16
129792-39610	3	31
129795-11750	9	21
	27	24
129795-35520	35	12
129795-61430	42	36
129795-61470	42	41
135210-61090	13	8
	42	8
135310-34030	35	2
135400-01790	1	9
135602-34390	1	21
137600-53900	12	71
144626-02400	25	27
144626-11190	29	21
144626-51090	12	11
144626-51700	37	59
144626-51940	12	69

Parts No.	Fig. No.	Ref. No.
144626-51950	12	70
	37	77
144626-53110	39	7
144626-53120	39	10
144626-53180	39	11
144626-53200	39	13
144626-53300	39	15
144626-91560	11	27
	35	54
145610-11890	25	7
145640-43740	46	4
148616-61650	13	50
	42	54
170064-67100	19	19
170064-67210	19	21
	44	19
171001-93100	24	19
	49	15
171011-91100	47	7
171014-91101	22	3
171048-67010	19	4
	44	3
171048-67130	19	13
	44	12
171048-67140	19	14
	44	13
171085-67100	19	10
	44	9
171085-67110	19	11
	44	10
171085-67120	19	12
	44	11
171085-67210	44	20
171085-91610	22	6
	47	11
171087-42280	10	21
171090-21601	9	17
171090-59420	16	40
	17	15
	40	29
	41	10
171091-61550	13	112
171102-66080	19	5
	44	4
171301-01640	3	2
171325-44290	21	2
171325-44300	21	4
171325-44310	21	5
171325-44320	21	6
171375-39600	11	28

Parts No.	Fig. No.	Ref. No.
171375-39600	35	66
171375-44900	5	64
	29	38
171375-44910	10	31
	36	38
171420-34820	27	18
174307-51250	37	21
180110-51910	37	73
194440-51620	26	16
194990-22050	6	31
22117-050000	13	59
	19	22
	42	72
	44	21
22117-100000	19	23
	34	5
	42	73
	44	22
22117-120000	3	7
22117-140000	27	17
	31	20
22127-120000	21	7
22137-080000	13	60
22137-120000	20	48
	45	48
22137-160000	46	9
22190-060000	12	72
22212-100000	34	6
22217-050000	13	61
22217-060000	13	62
	14	24
	37	81
	82	
22217-080000	36	42
22217-100000	13	63
	19	24
	44	23
22217-120000	20	49
	21	8
	45	49
22217-160000	46	10
22217-180000	8	15
22242-000110	37	83
22242-000180	5	52
22242-000200	12	17
	28	20
22252-000340	9	32
22252-000470	46	11
22262-000260	13	24
22272-000040	13	41

Parts No.	Fig. No.	Ref. No.
22272-000040	13	64
	42	75
		76
		77
22272-000050	19	25
22272-000070	42	78
	44	24
22272-000080	13	65
22287-060000	37	84
22312-030080	25	29
22312-080100	33	4
22312-080160	25	10
	26	17
22322-030250	42	33
22351-020006	19	15
	44	14
22351-020016	42	79
22351-030010	1	30
22351-030016	13	54
		66
	42	62
22351-030025	13	67
22351-040008	27	40
22351-040010	25	25
22351-050012	8	16
	42	80
22351-050020	13	68
22351-080016	1	31
22360-050000	13	69
	42	81
22411-200150	19	16
	44	15
22417-120120	13	70
22417-200120	19	26
	44	25
22451-100000	13	71
	42	82
22492-060362	13	72
	42	83
22512-070140	8	5
	9	11
	33	5
22512-070220	31	5
22522-040160	37	85
23000-013000	16	11
		32
23000-022000	4	13
	36	10
23000-025000	3	34
	35	49

## Parts No. Index

Parts No.	Fig. No.	Ref. No.
23000-054000	6	38
23000-060000	6	15
	32	37
	36	41
23000-070000	6	16
		39
	30	19
	32	33
	36	23
23000-080000	36	36
23000-102000	32	34
		38
23010-035000	28	30
23161-020100	11	30
	35	68
23297-080081	3	35
23414-060000	37	86
23414-080000	3	28
	16	33
	17	10
	23	14
		15
	26	19
	35	50
	40	27
23414-080012	26	20
	41	31
	42	84
23414-100000	1	32
	3	36
	23	30
	35	51
	41	30
23414-100014	42	69
23414-120000	16	12
		34
	23	16
		17
23414-120016	42	85
23414-140000	1	33
	16	13
		14
		35
	23	18
		19
		20
23414-140018	41	13
		14
		15
		32

Parts No.	Fig. No.	Ref. No.
23414-140018	41	33
23414-160000	11	13
	23	21
	36	34
		37
23414-170000	6	21
	11	14 -1
	30	11
23414-180000	11	14
	23	23
	35	14
23414-180023	37	87
23414-220000	35	15
23414-220029	12	73
23851-030000	41	34
23857-030000	1	34
	3	29
	35	52
23857-060000	16	41
23857-080000	16	15
	17	13
	40	30
	41	16
		17
23871-010000	1	5
	11	26
	25	11
	29	12
23871-020000	1	35
	10	11
23871-030000	1	6
	3	8
	5	9
		27
	10	14
	11	15
	25	12
		13
	29	13
23871-040000	25	14
	29	14
23887-080002	17	9
	40	26
23887-120002	42	86
23887-160002	11	16
	13	73
23894-030002	6	22
	30	12
24102-062044	46	12
24311-000050	25	9

Parts No.	Fig. No.	Ref. No.
24311-000080	37	88
24311-000110	13	74
24311-000120	17	6
	28	24
	40	23
	49	8
24311-000160	42	87
24311-000200	34	9
	48	14
24311-000210	37	89
24311-000220	3	17
	23	24
24311-000320	4	3
	28	34
24311-000360	10	18
	23	25
24312-000150	12	74
24314-000180	3	37
	23	31
24316-000200	35	53
	49	14
24321-000350	26	2
		4
	48	6
24341-000080	13	75
	42	88
24341-000140	42	89
24341-000240	2	34
	3	4
	23	26
		27
24341-000260	12	75
24341-000500	12	76
24341-001350	8	17
	23	28
26013-060122	18	3
	43	5
26013-060162	3	21
26013-060252	3	22
26013-080142	27	51
26013-080162	3	18
26013-080182	27	9
26013-080202	31	2
26013-080452	1	36
26013-120252	29	2
26014-060142	10	28
26014-080252	46	14
26022-050122	42	90
26106-060102	19	27
	44	26

Parts No.	Fig. No.	Ref. No.
26106-060122	13	40
26106-060142	42	91
	43	1
	47	3
26106-060162	2	35
	3	38
26106-060182	12	77
26106-060202	12	78
	15	22
	35	60
	41	7
26106-060222	13	76
	42	92
26106-060302	20	39
	45	39
	47	4
26106-060352	13	77
	37	90
26106-060452	20	38
	45	38
26106-080102	16	36
26106-080122	3	39
	10	47
	30	13
	36	30
		43
26106-080142	6	5
	18	4
26106-080162	1	41
	3	19
		24
	6	32
	8	8
	17	16
	26	21
		22
	35	59
26106-080182	2	23
	6	40
26106-080202	2	12
		13
		24
	6	7
	11	19
		20
	21	11
		16
	26	23
		24



## Parts No. Index

Parts No.	Fig. No.	Ref. No.
26106-080202	27	52
	28	31
	30	3
	35	61
	46	15
26106-080252	3	9
	4	10
	8	18
	9	4
	30	15
26106-080302	27	43
	46	16
26106-080352	3	10
	11	21
		22
	26	25
	35	18
26106-080402	36	31
	2	25
	6	12
	27	13
	35	62
26106-080452		63
		64
	2	26
		27
	6	23
26106-080502	27	53
	34	10
	2	28
	3	25
	6	13
26106-080552	11	23
	31	13
	2	29
	10	32
	36	6
26106-080602	10	15
	26	26
26106-080652	5	57
	10	19
	29	35
	36	7
26106-080702	3	11
	6	8
		24
	30	17
	34	11
26106-080752	35	19
	2	30

Parts No.	Fig. No.	Ref. No.	
26106-080802	3	12	
	26	27	
	36	32	
26106-080902	2	31	
	6	25	
26106-080952	6	25	
26106-081002	26	28	
26106-081102	6	26	
26106-081152	6	9	
26106-081202	27	14	
26106-100142	19	28	
	27	54	
26106-100162	36	8	
26106-100202	5	61	
	40	16	
	26106-100252	16	39
	21	12	
	30	21	
26106-100302	40	17	
	9	22	
	17	12	
	27	22	
	40	31	
26106-100352	27	23	
26116-050082	20	45	
	45	45	
26116-050102	13	78	
26116-060082	19	17	
	44	16	
26116-060162	28	21	
26116-060256	42	93	
26116-060356	13	79	
26116-080202	27	41	
26116-080352	27	42	
26116-120352	20	50	
	45	50	
26116-120852	3	13	
26117-040088	18	8	
	43	7	
26156-140502	27	15	
26216-060162	12	79	
	37	91	
26216-060252	5	19	
	37	37	
26216-080222	6	27	
		33	
26216-080252	29	28	
26216-080652	5	20	
		38	
26216-080702	29	30	
26216-100252	27	3	

Parts No.	Fig. No.	Ref. No.
26226-060122	42	94
26366-060002	5	58
	15	23
	18	5
	42	95
	43	6
26366-080002	2	14
	5	59
	7	2
	10	48
	12	46
	26	29
	29	26
		27
		29
		31
	30	8
	46	17
26366-100002	8	19
	21	13
	27	19
26376-100002	11	24
26376-120002	13	80
26450-050122	20	40
	45	40
26450-060452	42	96
26450-100352	31	18
26557-040122	20	41
	45	41
26557-060202	37	92
26577-060202	10	12
26577-080162	10	13
26657-100002	19	29
	44	27
26686-120002	42	97
26696-100002	42	70
26706-100002	17	17
	40	33
26716-060002	14	25
	37	93
26716-120002	21	9
26726-080002	10	16
26736-100002	13	81
	34	7
26736-140002	31	21
26757-050002	19	30
	44	28
26757-080002	13	82
	42	98
26776-120002	42	99

Parts No.	Fig. No.	Ref. No.
26776-160002	46	13
26776-180002	8	20
26777-120002	13	83
26921-050122	19	18
	44	17
27231-600000	1	42
27241-100000	5	53
27241-140000	1	7
27241-160000	5	10
		28
27241-200000	25	15
27241-220000	29	19
27241-280000	5	11
		29
27241-350000	29	15
27241-400000	1	8
	5	12
		30
27241-500000	25	4
28110-100120	24	21
	49	18
28110-140170	24	22
	49	19
28110-190220	24	23
	49	20
28210-000140	24	24
	49	21
41650-550310	40	1
41650-550810	40	3
42130-502220	22	7
	47	8
42421-500250	36	5
42430-550060	17	4
	40	21
43100-500560	6	41
43100-500570	30	22
43100-500910	30	23
43100-552910	6	42
43400-500390	16	6
	23	22
43400-500410	26	18
43400-500420	2	15
	23	29
	42	74
43400-500450	13	84
	42	100
43400-500470	17	14
	40	32
	48	24
43400-500490	27	7

## Parts No. Index

Parts No.	Fig. No.	Ref. No.
43400-500490	27	12
	48	10
43400-500500	13	85
43623-500030	17	1
	40	18
46111-500600	22	8
	47	12
46150-006261	22	2
	47	6
46150-502340	22	1
	47	5
46150-504500	1	52
	34	12
719000-02800	1	14
719000-02870	1	43
719000-02930	1	17
719000-02940	1	46
719000-22500	9	25
719000-22900	9	40
719000-22950	9	42
719000-23100	9	33
719000-23600	9	37
719000-23610	9	48
719100-01600	2	16
719100-11700	5	1
719100-21700	9	6
719129-01500	2	2
719129-01610	2	1
719129-11520	4	1
719129-11650	5	43
719129-11700	5	21
719129-12100	6	1
719129-33101	11	1
719129-53100	15	1
719140-01560	1	1
719140-51320	12	1
719140-92600	23	1
719140-99021	24	1
719141-51320	12	2
719141-92600	23	2
719141-99021	24	2
723500-01560	25	1
723500-02800	25	19
723500-02930	25	22
723500-11500	28	1
723500-11650	28	2
723500-11660	28	8
723500-22500	33	16
723500-23600	33	26
723500-23700	33	22

Parts No.	Fig. No.	Ref. No.
723560-11700	29	3
723560-14580	31	3
723560-21700	33	1
723561-33700	34	1
723562-92622	48	1
723600-53102	39	1
723660-13500	30	5
723660-51300	37	1
723660-92631	49	1
XN191005	32	5
XN191103	32	4
XN191109	32	8
XN191300	32	2
XN191302	32	3
XN192200	32	19
XN192202	32	20
XN192702	32	9
XN193204	32	27
XN193207	32	17
XN193600	32	18
XN193653	32	28
XN196103	32	26
XN197400	32	23
XN197402	32	24
XN197404	32	25
XN199800	32	10
XN199801	32	15
XN971007	32	7
XN973502	32	12
XN973503	32	11
XN977003	32	16
XNB133206	32	13
XNB134007	32	22
XNH163006	32	14
XNN131008	32	6
XNN134035	32	21

Parts No.	Fig. No.	Ref. No.
-----------	----------	----------

Parts No.	Fig. No.	Ref. No.
-----------	----------	----------