

0CD10-M35801EN

# PREFACE

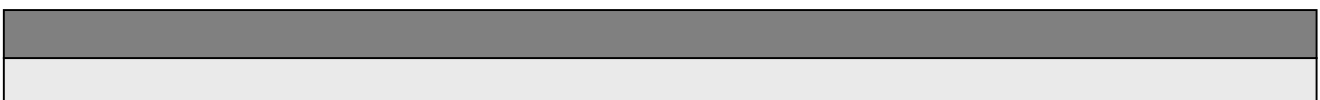
1. This Parts Catalog is the 1st edition of NFAD6-LIKFW Diesel Engine for ISEKI.

Pub. No. : 000Y00D3581

Published : August, 1991

2. Model name

Engine model	Vehicle		Vehicle made by
	Products	Model name	
NFAD6-LIKFW	—	—	ISEKI



## How to read this Parts Catalog.

1. Parts mentioned in Parts Catalog may not necessarily be standard equipping parts
2. Parts change may be made without prior notice.
3. Form of this Parts Catalog.

REF.	LEV.	PARTS No.	DESCRIPTION	QTY						I	R
				(A)	(B)	(C)	(D)	(E)	(F)		
1		729595-51390	FUEL INJECTION PUMP		1	1	1	1			
1-1	1	729595-51391	FUEL INJECTION PUMP	1	1	1	1	1		N	1
3	2	26022-060162	SCREW M 6X16		9	9	9	9	9		
1 3-1	2	26022-060162	SCREW M 6X16		4	4	4	4	4		K
4	2	129470-51040	CAMSHFT		9	9	9	9	9		
5	2	122710-51050	BEARING. ROLLER		9	9	9	9	9		
6	2	129470-51060	RETAINER		9	9	9	9	9		

Remarks	
(1)	BOOST COMPEMSATOR TYPE. OPTIONAL PART. TO E#00155 (4JH-DT, 4JH-DTZ)

### ① Ref. No.

The Ref. No. in the list may not be in accordance with the Ref. No. on illustration.

(Ex.) illustration No, List heed No,

1 1 (Before change) → 1-1 (After change)

When interchangeable symbol N, and k, illustrations for the new parts are sometimes omitted.

### ② Lev. (Level)

Indication and Meaning of Level

Level Hereunder is given the relation among the number of number (1,2,3) the level and the nominal parent-child relationship.

1 ---- Parent parts (Assembly parts)

2 ---- Child parts included in " 1 " (Semi-Assembly parts, component parts of Assembly parts.)

3 ---- Child parts included in " 2 ", Grand-child parts in terms of " 1 ".

(Component parts of Semi-Assembly parts.)

Note) A parts of non-sale parts are illustrated but not listed.




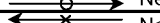
### ③ Change Mark

Change Mark " I " is given to the part for which a design change was made at this time.

The design change was not shown in the last published Parts Catalog.

### ④ Interchangeability Mark

In the case where a part change took place, one of the following interchangeability marks is indicated for that part

Symbol	Interchangeability	Contents note
N	Old ←  New	New Part is interchangeable for Old Part but not interchangeable conversely.
Q	Old ←  New	New Part is not interchangeable for Old Part but interchangeable conversely.
R	Old ←  New	New Part is interchangeable for Old Part and vice versa.
S	Old ←  New	New Part is not interchangeable for Old Part and vice versa.
W		Part newly added.
Z		Part discontinued.
F		Not interchangeable single part but interchangeable by set of the related parts.
K		Changed only in quantity used.

### ⑤ Effective Machine No.

When a part is changed, Effective Machine No. of a Model for which the part is applicable is indication

In each column of (A)-(F).

Product Symbol	Product No.	Product Symbol	Product No.
C	Clutch No, Compressor No,	M	Machine No,
D	Drive No,	T	Tractor No,
E	Engine No,	Note 1)※	Date

Note 1) Date may follow the symbol in some cases. (Ex.) ※1996.01

Note 2) As far as engine models shown by " XXX " are concerned, the modification of the parts could not be Predicted or the engine models themselves could not be identified.

Note 3) (A=E/#00185) means that the design change on the part has been effective for the model at the, column (A) (in the case, for 4JH-DT) on and from E/(Engine Serial Number) 00185

### ⑥ Remarks Mark

Figures or alphabets (Symbols) are entered in the remark column.

The comments (remarks) on the pertinent parts are indicated in the lower part of the list by the same symbols a those stated above.

# Contents

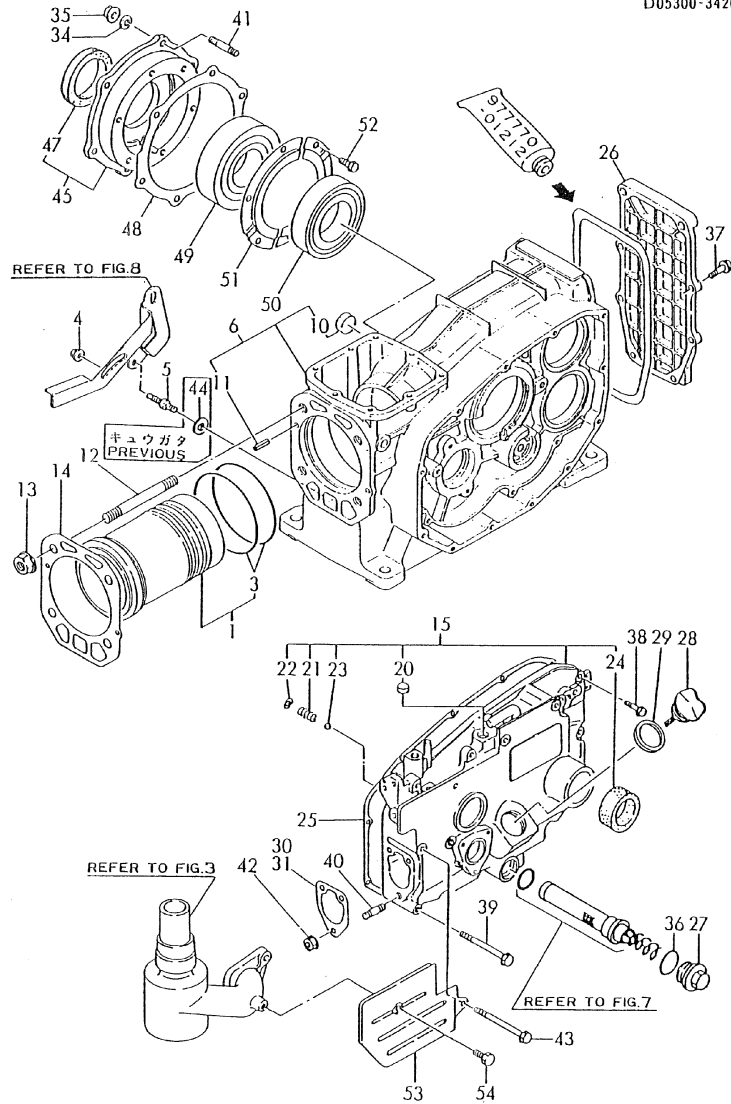
Fig. No.    Fig. Name

## ENGINE NFAD6-LIKFW

1. CYLINDER BODY
2. CYLINDER HEAD & BONNET
3. AIR CLEANER & SILENCER
4. CAMSHAFT
5. CRANKSHAFT & FLYWHEEL
6. PISTON & CONNECTING ROD
7. LUB. OIL SYSTEM & BREATHER
8. RADIATER & FAN
9. FUEL INJECTION PUMP
10. FUEL OIL SYSTEM
11. FUEL TANK
12. GOVERNOR & CONTROL DEVICE
13. HAND STARTING DEVICE
14. LIGHTING DEVICE
15. TOOLS & LABELS & GASKET SET

Fig. No.    Fig. Name

Fig.1. CYLINDER BODY



(A)=NFAD6-LIKFW

(B)=

(C)=

(D)=

(E)=

(F)=

No.	Lev.	Parts No.	Description	Q'ty						I	R
				(A)	(B)	(C)	(D)	(E)	(F)		
1	1	705090-01900	LINER ASSY, CYLINDER	1							
3	2	105090-01300	O-RING	2							\$
4	1	26366-06002	NUT, M6	1							
5	1	105100-44930	BOLT	1							
6	1	705090-01560	BLOCK ASSY, CYLINDER	1							
10	2	105215-01670	SEAL, 20	1							
11	2	22351-060012	PIN, SPRING 6.0X12	2							
12	1	105215-01200	BOLT, HEAD M12	4							
13	1	121450-01220	NUT, CYLINDER HEAD	4							
14	1	105090-01330	GASKET, HEAD	1							\$
15	1	705092-01500	CASE ASSY, GEAR	1							
20	2	105100-01660	PLUG, 14	1							
21	2	105300-34040	SPRING	1							
22	2	22252-000100	RING, 10	1							
23	2	24190-120001	BALL, STEEL 3/8	1							
24	2	105140-76500	SEAL, TCX25X35X6	1							
25	1	105090-01410	GASKET, GEAR CASE	1							\$
26	1	105090-01480	COVER	1							
27	1	105300-01690	PLUG	1							
28	1	105090-01750	CAP	1							
29	1	101104-01760	GASKET, CAP	1							\$
30	1	105300-01920	SHIM, T=0.1	1							
31	1	104271-01950	SHIM SET,0.2X3,0.3X2	1							
34	1	22217-080000	WASHER, SPRING 8	6							
35	1	26716-080002	NUT, M8	6							
36	1	24321-000250	O-RING, 1AG25.0	1							
37	1	26106-060202	BOLT, M6X 20 PLATED	6							
38	1	26106-060302	BOLT, M6X 30 PLATED	6							
39	1	26106-060552	BOLT, M6X 55 PLATED	1							
40	1	26216-080222	STUD, M8X 22	3							
41	1	26226-080222	STUD, M8X 22	6							
42	1	26366-080002	NUT, M8	3							
43	1	26106-060652	BOLT, M6X 65 PLATED	4							
44	1	160120-76940	WASHER	1							Z
		(A=EXXX)									
45	1	705090-02500	HOUSING ASSY, METAL	1							
47	2	111130-02160	SEAL, TC35508	1							
48	1	105090-02020	GASKET	1							\$
49	1	105100-02300	BEARING, 6308-SH2-C3	1							
50	1	105100-02310	BEARING, 6208-SH2-C3	1							
51	1	106100-02331	RETAINER, BEARING	2							
52	1	26116-050082	BOLT, M5X 8 PLATED	6							
53	1	105092-01420	COVER	1							
54	1	26013-060102	BOLT, M6X 10	1							

Remarks  
 (\$) ORDER BY FIG NO.15-15

Fig.2. CYLINDER HEAD & BONNET

(A)=NFAD6-LIKFW

(B)=

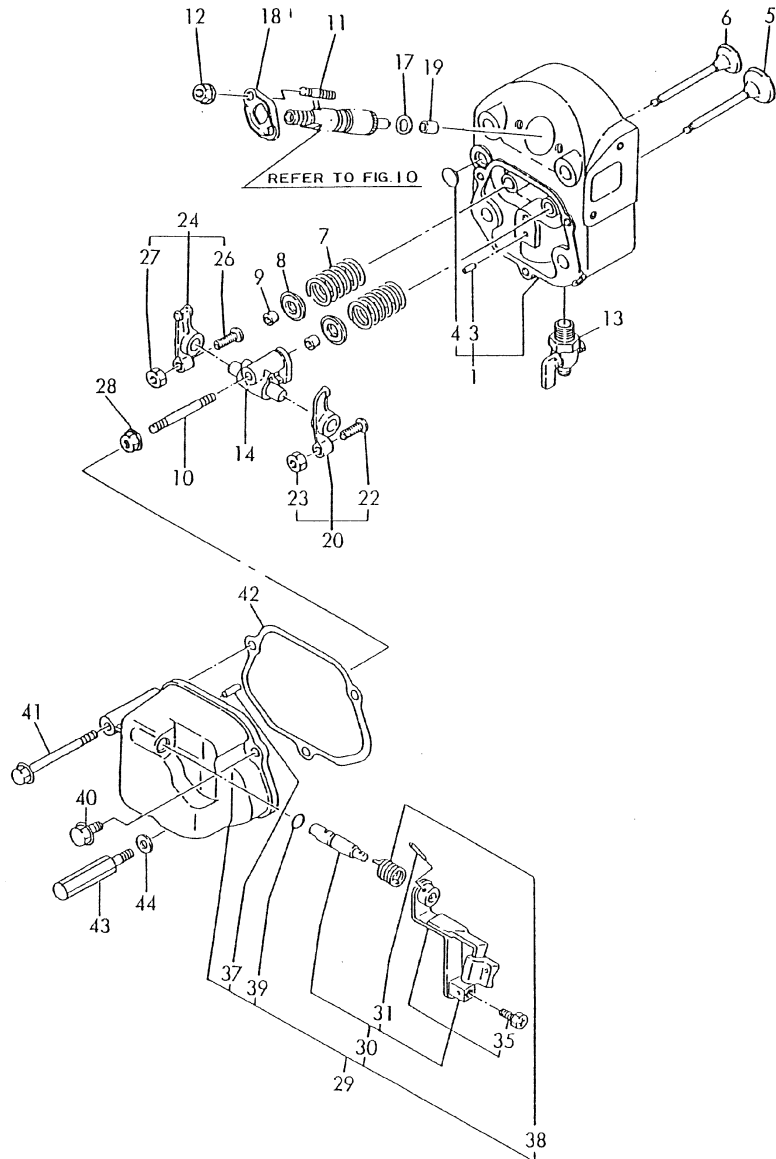
(C)=

(D)=

(E)=

(F)=

SPEC. CODE  
D05092-03120  
D05090-11160  
D05300-11120  
D05090-11210

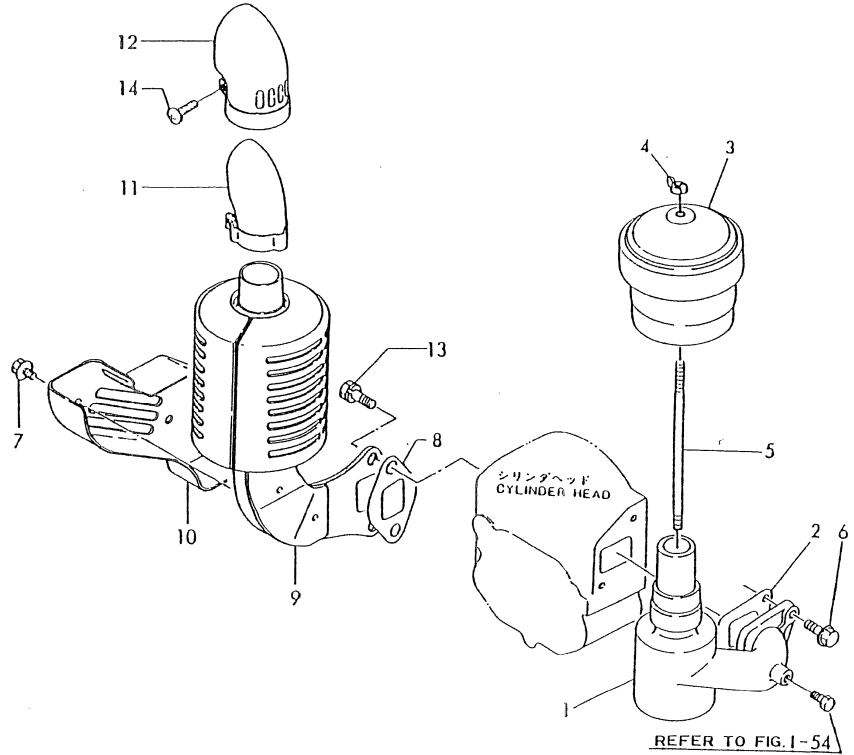


No.	Lev.	Parts No.	Description	Q'ty						I	R
				(A)	(B)	(C)	(D)	(E)	(F)		
1	1	705090-11700	HEAD ASSY, CYLINDER	1							
3	2	105300-11330	PIN	1							
4	2	27231-150000	PLUG 15	1							
5	1	105090-11100	VALVE, INTAKE	1							
6	1	105090-11111	VALVE, EXHAUST	1							
7	1	105400-11121	SPRING, VALVE	2							
8	1	101158-11180	RETAINER, SPRING	2							
9	1	27310-070001	COTTER, 7	2							
10	1	26216-080452	STUD, M8X 45	1							
11	1	26216-060402	STUD, M6X 40	2							
12	1	26366-060002	NUT, M6	2							
13	1	105010-11920	COCK, WATER	1							
14	1	105090-11290	SUPPORT ASSY, ARM	1							
17	1	119625-11880	SEAT, NOZZLE	1							
18	1	105300-11900	RETAINER	1							
19	1	119625-11870	PROTECTOR, NOZZLE	1							\$
20	1	105090-11650	ARM, ROCKER	1							
22	2	101158-11230	SCREW, VALVE ADJUST	1							
23	2	26756-080002	NUT, LOCK M8	1							
24	1	105090-11660	ARM, ROCKER	1							
26	2	101158-11230	SCREW, VALVE ADJUST	1							
27	2	26756-080002	NUT, LOCK M8	1							
28	1	26366-080002	NUT, M8	1							
29	1	705092-11520	BONNET ASSY, HEAD	1							
30	2	705092-03550	LEVER ASSY	1							
31	3	22322-030180	PIN, TAPER 3X18	1							
35	4	105225-66990	SCREW, M5X8.5	1							
37	2	22312-030180	PIN, PARALLEL M3X18	1							
38	2	104200-03641	SPRING, DECOMPRESSION	1							
39	2	24311-000070	O-RING, 1AP7.0	1							\$
40	1	26106-060202	BOLT, M6X 20 PLATED	1							
41	1	26106-060602	BOLT, M6X 60 PLATED	1							
42	1	105090-11310	GASKET, BONNET	1							\$
43	1	105090-11820	BOLT	1							
44	1	22117-060000	WASHER, 6	1							

Remarks  
(\$ ) ORDER BY FIG NO.15-15

# Fig.3. AIR CLEANER & SILENCER

SPEC. CODE  
 D05092-12120  
 D05092-12210  
 D05090-13100



(A)=NFAD6-LIKFW  
 (B)=  
 (C)=

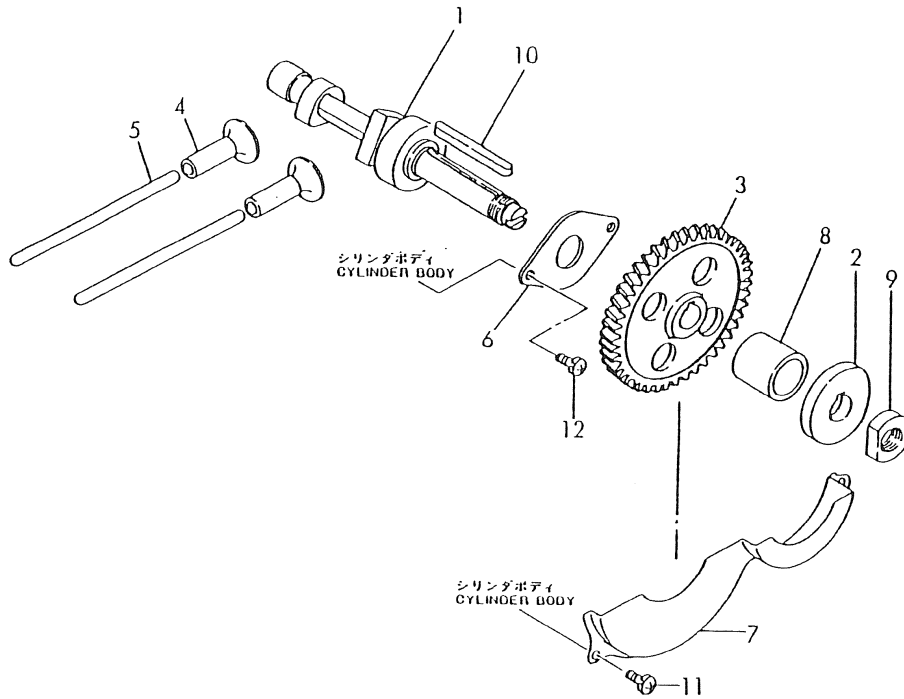
(D)=  
 (E)=  
 (F)=

No.	Lev.	Parts No.	Description	Q'ty						I	R
				(A)	(B)	(C)	(D)	(E)	(F)		
1	1	105092-12021	PIPE, AIR INTAKE	1							
2	1	105190-12050	GASKET	1							
3	1	105092-12511	CLEANER, AIR	1							
4	1	105092-12550	NUT	1							
5	1	105092-12560	BOLT	1							
6	1	26106-080202	BOLT, M8X 20 PLATED	2							
7	1	160260-01580	BOLT, FLANGE M6X6	2							
8	1	105010-13200	GASKET	1							\$
9	1	105090-13510	SILENCER	1							
10	1	105090-13550	COVER	1							
11	1	105430-13570	PIPE	1							
12	1	105430-13590	COVER	1							
13	1	26013-080209	BOLT, M8X 20	2							
13-1	1	26013-080189	BOLT, M8X 18	2							N
(A=E016134)											
14	1	26554-060162	SCREW, M6X16	1							

Remarks  
 (\$) ORDER BY FIG NO.15-15

# Fig.4. CAMSHAFT

SPEC. CODE  
D05090-14110  
D05092-14130



(A)=NFAD6-LIKFW  
(B)=  
(C)=

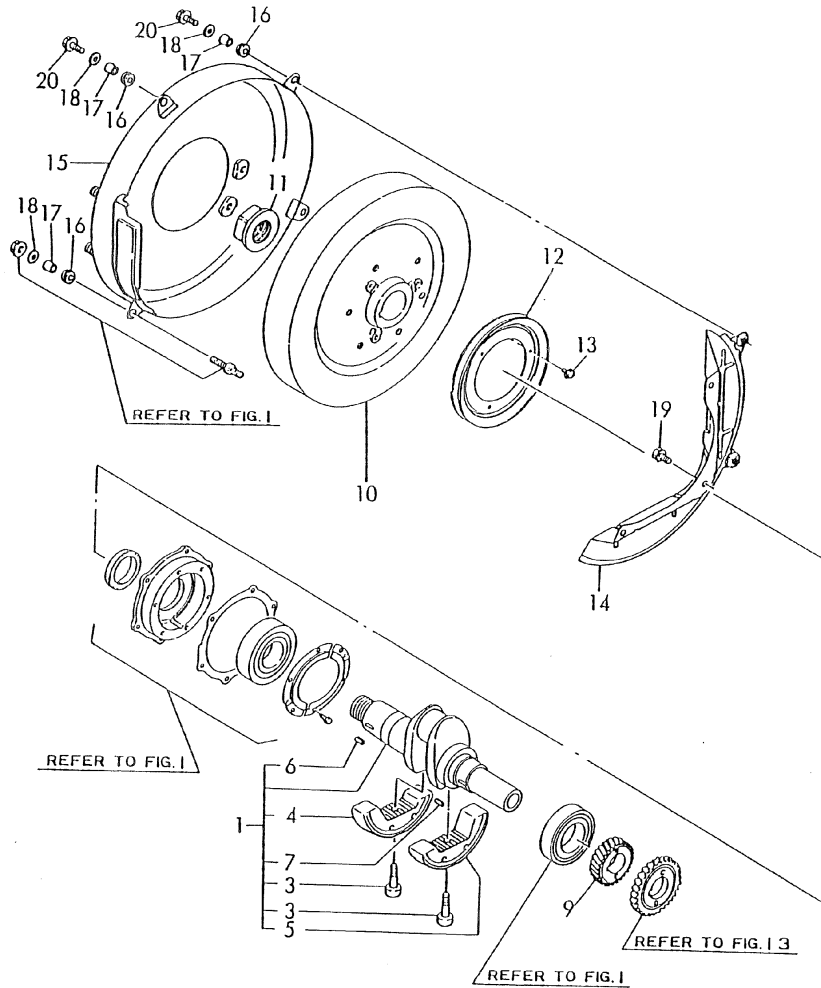
(D)=  
(E)=  
(F)=

No.	Lev.	Parts No.	Description	Q'ty						I	R
				(A)	(B)	(C)	(D)	(E)	(F)		
1	1	105090-14010	CAMSHAFT	1							
2	1	105090-14091	CAM, FUEL	1							
3	1	105090-14100	GEAR, CAMSHAFT	1							
4	1	105300-14200	TAPPET	2							
5	1	105090-14400	ROD, PUSH	2							
6	1	105090-14420	RETAINER, BEARING	1							
7	1	105090-14600	COVER	1							
8	1	105092-14700	SPACER	1							
9	1	104300-76460	NUT	1							
10	1	22512-070500	KEY, 7X 50	1							
11	1	26022-060122	SCREW, M6X12	2							
12	1	26557-060142		2							



# Fig.5. CRANKSHAFT & FLYWHEEL

SPEC. CODE  
 D05092-21110  
 D05050-21200  
 D05092-21420  
 D05050-21500



(A)=NFAD6-LIKFW  
 (B)=  
 (C)=

(D)=  
 (E)=  
 (F)=

No.	Lev.	Parts No.	Description	Q'ty						I	R
				(A)	(B)	(C)	(D)	(E)	(F)		
1	1	705092-21700	CRANKSHAFT ASSY	1							
3	2	105092-21130	BOLT, BALANCE WEIGHT	2							
4	2	105092-21700	WEIGHT, BALANCE	1							
5	2	105092-21710	WEIGHT, BALANCE	1							
6	2	22512-050140	KEY, 5X 14	1							
7	2	22512-050140	KEY, 5X 14	1							
9	1	105090-21200	GEAR, CRANKSHAFT	1							
10	1	105090-21401	FLYWHEEL	1							
11	1	105010-21530	NUT, END	1							
12	1	104407-21600	V-PULLEY	1							
13	1	26106-060122	BOLT, M6X 12 PLATED	3							
14	1	105092-21310	SUPPORT	1							
15	1	105092-21320	COVER, FLYWHEEL	1							
16	1	105300-21381	ABSORBER	4							
17	1	105300-44460	COLLAR	4							
18	1	160120-76940	WASHER	4							
19	1	26013-060142	BOLT, M6X 14	3							
20	1	26106-060202	BOLT, M6X 20 PLATED	3							

Fig.6. PISTON & CONNECTING ROD

(A)=NFAD6-LIKFW

(B)=

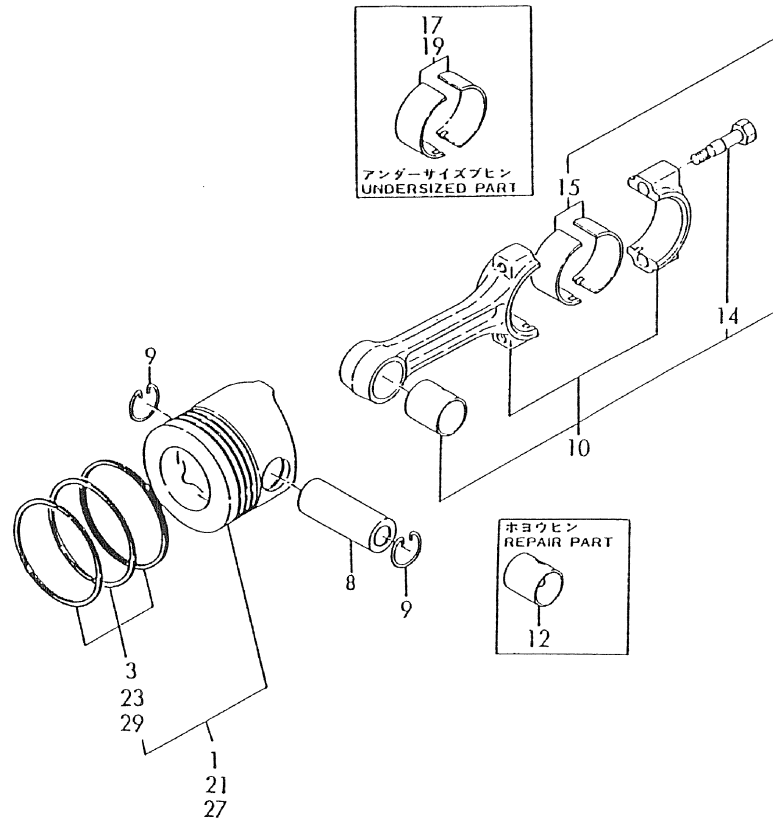
(C)=

(D)=

(E)=

(F)=

SPEC. CODE  
D05090-22110  
D05090-23100



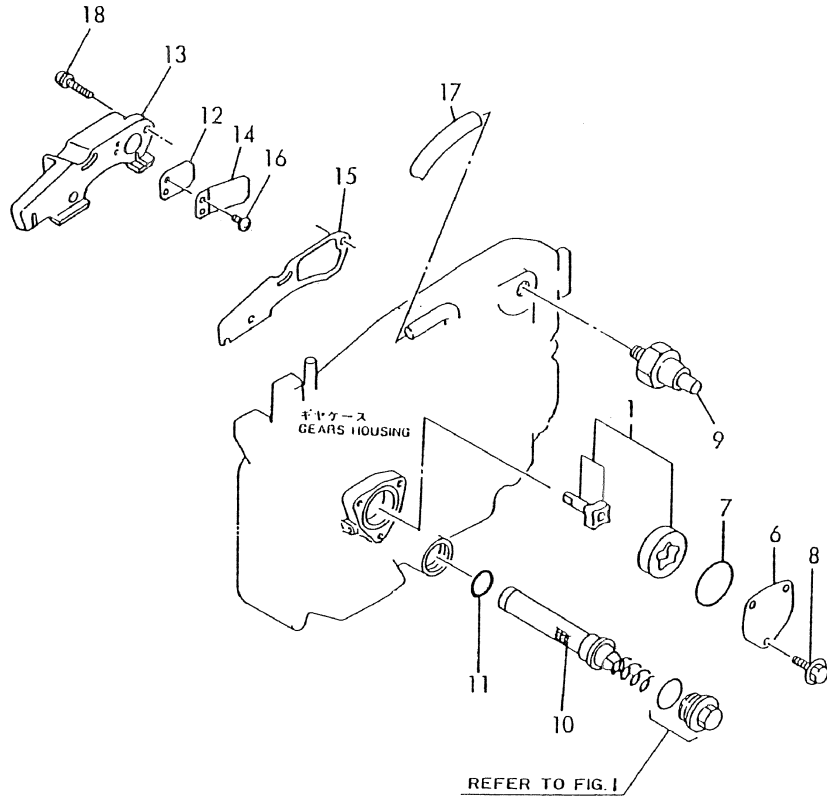
No.	Lev.	Parts No.	Description	Q'ty						I	R
				(A)	(B)	(C)	(D)	(E)	(F)		
1	1	105090-22190	PISTON ASSY	1							
3	2	705090-22501	RING SET, PISTON	1							
8	1	124950-22300	PIN, PISTON	1							
9	1	105090-22400	CIRCLIP	2							
10	1	705090-23100	ROD ASSY, CONNECTING	1							
12	2	105090-23910	BEARING, PISTON PIN	1							1
14	2	105225-23200	BOLT, CONNECTING ROD	2							
15	2	705090-23600	BEARING, CRANK PIN	1							
17	1	705090-23610	BEARING ASSY, 0.25	1							2
19	1	705090-23620	BEARING, 0.50 US	1							3
21	1	105090-22470	PISTON ASSY, 0.25 OS	1							4
23	2	105090-22510	RING SET, 0.25 OS	1							4
27	1	105090-22480	PISTON ASSY, 0.50 OS	1							5
29	2	105090-22520	RING SET, 0.50 OS	1							5

Remarks

- (1) REPAIR PART.
- (2) UNDER-SIZE(U.S=0.25)PART.
- (3) UNDER-SIZE(U.S=0.50)PART.
- (4) OVER-SIZE(O.S=0.50)PART.
- (5) OVER-SIZE(O.S=0.50)PART.

Fig.7. LUB. OIL SYSTEM & BREATHER

SPEC. CODE  
 D05090-03100  
 D06100-32100  
 D05140-34100  
 D05190-35100



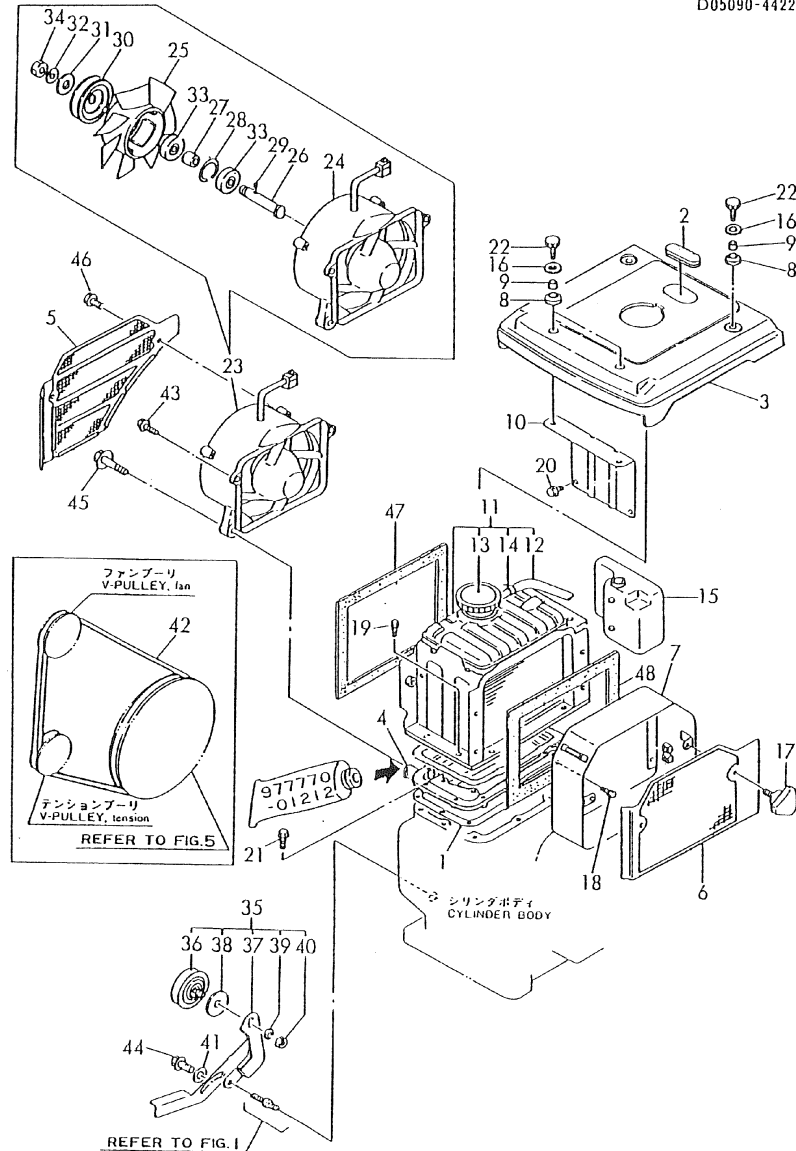
(A)=NFAD6-LIKFW  
 (B)=  
 (C)=

(D)=  
 (E)=  
 (F)=

No.	Lev.	Parts No.	Description	Q'ty						I	R
				(A)	(B)	(C)	(D)	(E)	(F)		
1	1	104300-32150	ROTOR ASSY, INNER	1							
6	1	103338-32070	COVER	1							
7	1	103338-32570	O-RING	1							\$
8	1	26106-060122	BOLT, M6X 12 PLATED	3							
9	1	105140-34100	INDICATOR	1							
10	1	105190-35050	STRAINER ASSY, OIL	1							
11	1	24341-000200	O-RING, 1AS20.0	1							\$
12	1	101158-03061	VALVE	1							
13	1	105090-03081	COVER, BREATHER	1							
14	1	101158-03111	RETAINER	1							
15	1	105090-03131	GASKET	1							
16	1	105362-78960	SCREW, M4X8	2							
17	1	23064-090370	PIPE, 9X 370	1							
18	1	26023-060252	SCREW, M6X25	2							

Remarks  
 (\$) ORDER BY FIG NO.15-15

Fig.8. RADIATER & FAN



SPEC. CODE  
 D05090-44140  
 D05092-44240  
 D05090-44300  
 D05092-44211  
 D05090-44220

(A)=NFAD6-LIKFW

(B)=

(C)=

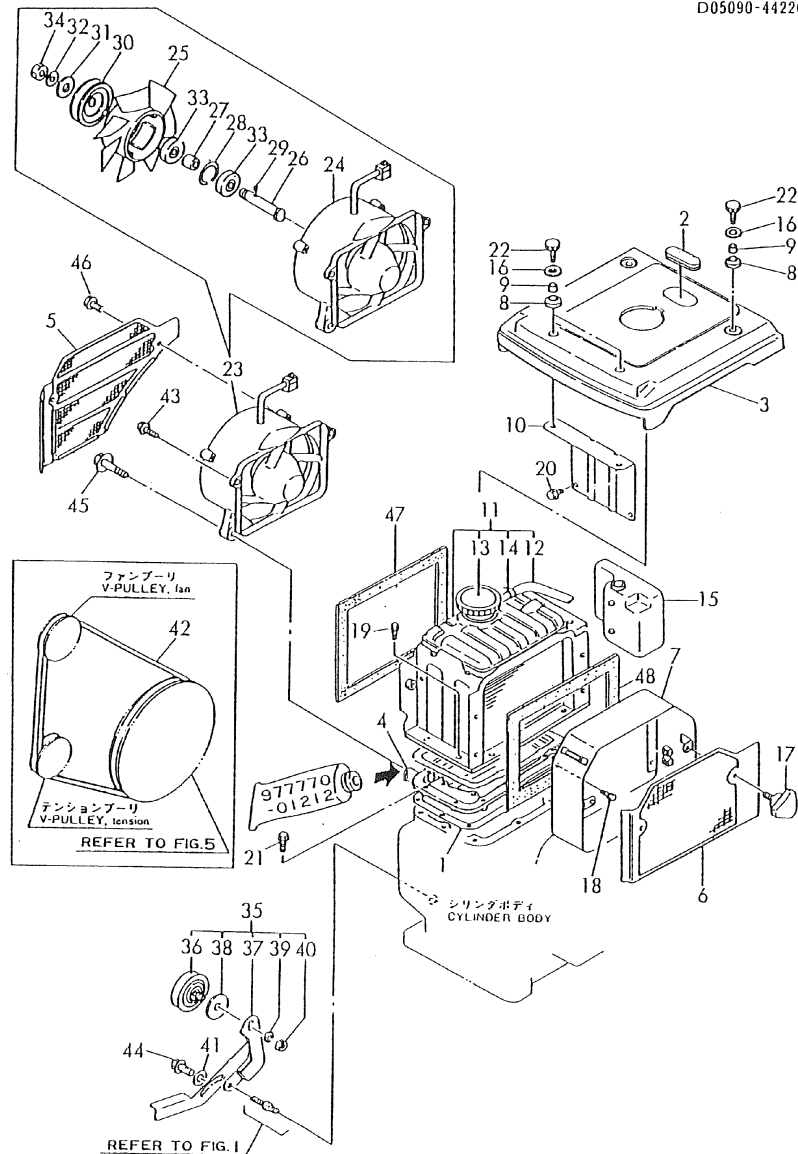
(D)=

(E)=

(F)=

No.	Lev.	Parts No.	Description	Q'ty						I	R
				(A)	(B)	(C)	(D)	(E)	(F)		
1	1	105090-44050	GASKET	1							
2	1	105300-44220	COVER, RADIATOR	1							
3	1	105090-44251	COVER, RADIATOR	1							
4	1	105090-44300	BRACKET, RADIATOR	1							
5	1	105090-44330	SCREEN	1							
6	1	105092-44350	SCREEN	1							
7	1	105092-44360	DUCT, SCREEN	1							
8	1	105300-44451	ABSORBER	2							
9	1	105300-44460	COLLAR	2							
10	1	105090-44490	STAY	1							
11	1	105090-44500	RADIATOR ASSY	1							
12	2	105340-44570	PIPE, 7X170	1							
13	2	105300-44590	CAP, RADIATOR	1							
14	2	121250-44590	CLAMP	1							
15	1	105100-44630	TANK, SUB	1							
16	1	160120-76940	WASHER	4							
17	1	160725-78350	KNOB	2							
18	1	26013-060149	BOLT, M6X 14	4							
18-1	1	26013-060129	BOLT, M6X 12	4							N
		(A=E017330)									
19	1	26013-060162	BOLT, M6X 16	9							
20	1	26106-060122	BOLT, M6X 12 PLATED	2							
21	1	26106-060202	BOLT, M6X 20 PLATED	8							
22	1	26106-060202	BOLT, M6X 20 PLATED	4							
22-1A	1	26106-060202	BOLT, M6X 20 PLATED	2							K
		(A=EXXX)									
22-1B	1	26106-060102	BOLT, M6X 10 PLATED	2							W
		(A=EXXX)									
23	1	105092-44201	CASE ASSY, FAN	1							
24	2	105092-44680	COVER, FAN	1							
25	2	105092-44700	FAN, COOLING	1							
26	2	105340-44710	SHAFT, FAN	1							
27	2	106383-44720	SPACER	1							
28	2	106383-44740	CIRCLIP	1							
29	2	105340-44750	PIN	1							
30	2	105100-44770	PULLEY, FAN	2							
31	2	105100-44780	WASHER, PULLEY	1							
32	2	22217-120000	WASHER, SPRING 12	1							
33	2	24107-062013	BEARING, 6201ZZP6	2							
34	2	26777-120002	NUT, LOCK M12	1							
35	1	105090-44810	PULLEY ASSY, TENSION	1							
36	2	106100-44650	PULLEY, TENSION	1							
37	2	105090-44940	LEVER, PULLEY	1							
38	2	106100-44960	CAP	1							
39	2	22217-080000	WASHER, SPRING 8	1							
40	2	26716-080002	NUT, M8	1							
41	1	22137-080000	WASHER, 8	1							
42	1	25117-003301	V-BELT, M33H	1							
43	1	26106-060252	BOLT, M6X 25 PLATED	2							
44	1	26106-080162	BOLT, M8X 16 PLATED	1							
45	1	26106-080352	BOLT, M8X 35 PLATED	2							

Fig.8. RADIATER & FAN



(A)=NFAD6-LIKFW

(B)=

(C)=

(D)=

(E)=

(F)=

No.	Lev.	Parts No.	Description	Q'ty						I	R
				(A)	(B)	(C)	(D)	(E)	(F)		
46	1	26106-060122	BOLT, M6X 12 PLATED	2							
46-1	1	26106-060122	BOLT, M6X 12 PLATED	1							K
		(A=EXXX)									
47	1	106100-44560	SPONGE, 15X5X1000	1							W
		(A=EXXX)									
48	1	106100-44560	SPONGE, 15X5X1000	1							W
		(A=EXXX)									

Fig.9. FUEL INJECTION PUMP

(A)=NFAD6-LIKFW

(B)=

(C)=

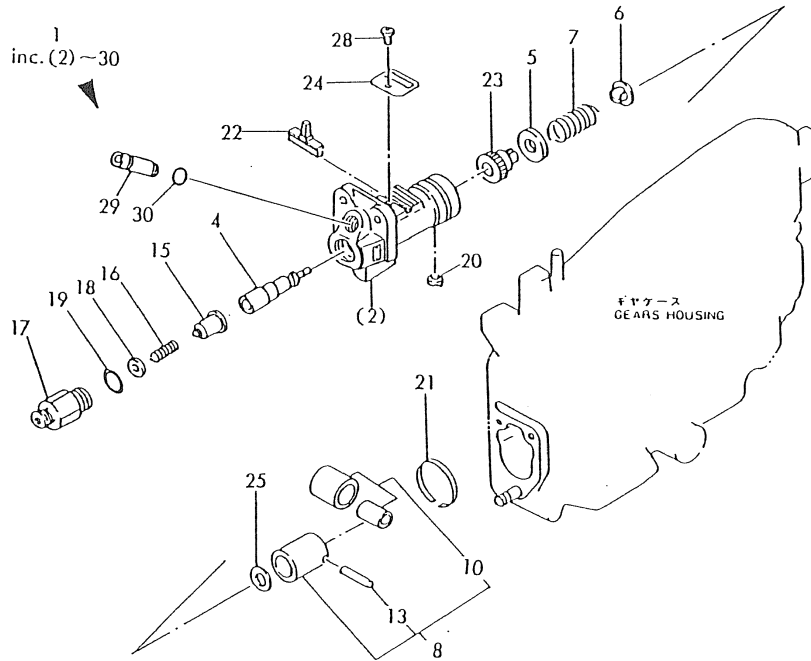
(D)=

(E)=

(F)=

No.	Lev.	Parts No.	Description	Q'ty						I	R
				(A)	(B)	(C)	(D)	(E)	(F)		
1	1	705090-51101	PUMP ASSY, INJECTION	1							
1-1	1	705090-51102	PUMP ASSY, INJECTION	1							
(A=FROM 1ST)											
4	2	105200-51100	PLUNGER ASSY	1							
5	2	174307-51170	RETAINER, SPRING A	1							
6	2	174307-51181	RETAINER, SPRING B	1							
7	2	124950-51190	SPRING, PLUNGER	1							
8	2	724550-51520	GUIDE, PLUNGER	1							
10	3	711100-51540	ROLLER ASSY	1							
13	3	174100-54120	PIN	1							
15	2	129100-51300	VALVE ASSY, DELIVERY	1							
16	2	124550-51320	SPRING, DELIVERY	1							
17	2	124550-51341	HOLDER, DELIVERY L43	1							
18	2	124550-51350	GASKET, DELIVERY	1							\$
19	2	124550-51370	O-RING	1							\$
20	2	104271-51450	PIECE, GUIDE	1							
21	2	104271-51460	CIRCLIP	1							
22	2	105300-51500	RACK, CONTROL	1							
23	2	105300-51510	PINION	1							
24	2	105300-51550	RETAINER, RACK	1							
25	2	174307-51700	SHIM SET	1							
28	2	26022-050102	SCREW, M5X10	1							
29	2	105300-51800	JOINT	1							
30	2	114250-51190	O-RING, S27	1							

SPEC. CODE  
D05090-51102



Remarks  
(\$ ) ORDER BY FIG NO.15-15

Fig.10. FUEL OIL SYSTEM

(A)=NFAD6-LIKFW

(B)=

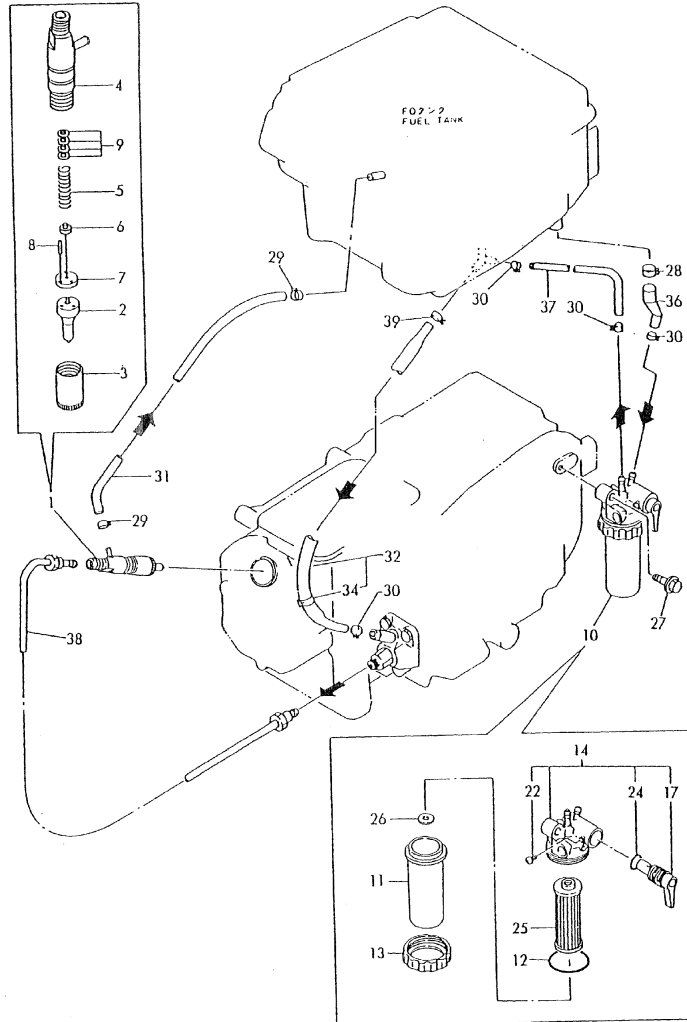
(C)=

(D)=

(E)=

(F)=

SPEC. CODE  
 D05050-53100  
 D05300-55200  
 D05090-59111  
 D05090-59130

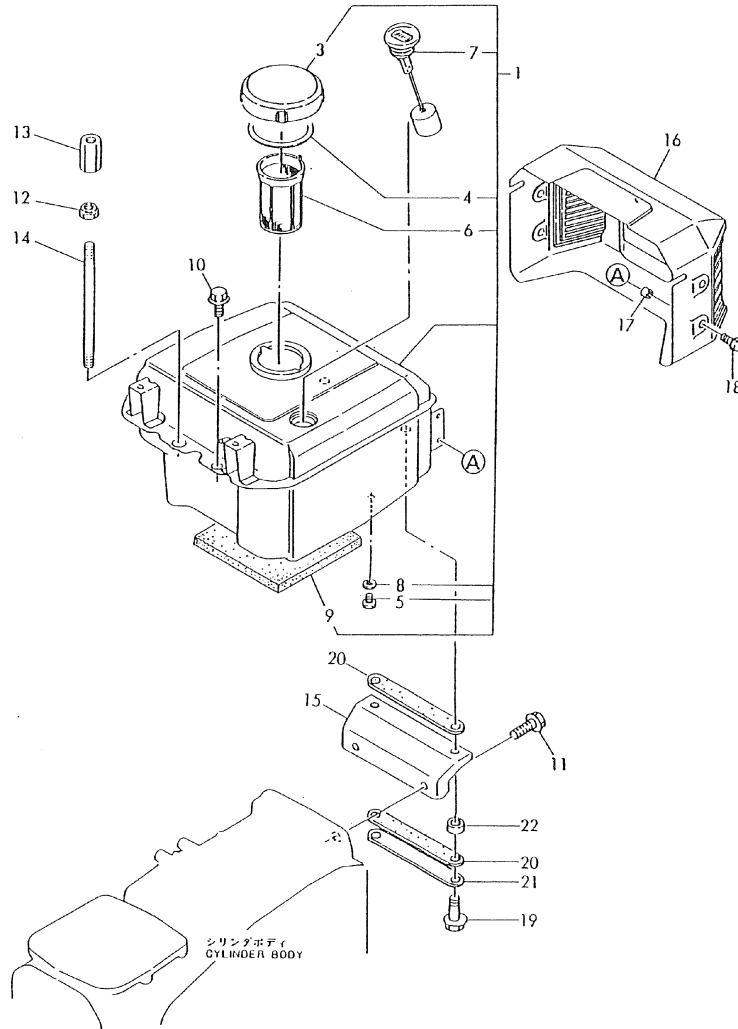


No.	Lev.	Parts No.	Description	Q'ty						I	R
				(A)	(B)	(C)	(D)	(E)	(F)		
1	1	705090-53100	VALVE ASSY,INJECTION	1							
1-1	1	705050-53100	VALVE ASSY,INJECTION	1							N
(A=EXXX)											
2	2	105090-53000	VALVE ASSY,INJECTION	1							
2-1	2	105050-53000	VALVE ASSY,INJECTION	1							N
(A=EXXX)											
3	2	114250-53080	NUT, NOZZLE D16.95	1							
4	2	105300-53100	HOLDER ASSY, NOZZLE	1							
5	2	114250-53120	SPRING, NOZZLE	1							
6	2	114250-53130	SEAT, SPRING	1							
7	2	114250-53140	PLATE	1							
8	2	114250-53210	PIN	2							
9	2	114250-53400	SHIM SET	1							
10	1	105370-55650	STRAINER ASSY, FUEL	1							
11	2	105300-55530	CUP, STRAINER	1							
12	2	105300-55520	O-RING	1							\$
13	2	105300-55610	RING, RETAINING	1							
14	2	105300-55700	BODY ASSY, STRAINER	1							
17	3	105300-55340	LEVER	1							
22	3	104200-55750	SCREW, M4	1							
24	3	24311-000160	O-RING, 1AP16.0	1							
25	2	105370-55710	ELEMENT	1							
26	2	105300-55750	FLOAT	1							
27	1	26106-080302	BOLT, M8X 30 PLATED	1							
28	1	129301-03660	CLAMP 16	1							
29	1	124722-59050	CLIP, HOSE 9	2							
30	1	124766-59050	CLIP, HOSE 12	4							
31	1	105300-59100	PIPE, FUEL RETURN	1							
32	1	105090-59020	PIPE ASSY, FUEL	1							
34	2	124766-59050	CLIP, HOSE 12	1							
36	1	105192-59560	PIPE, FUEL	1							
37	1	105192-59570	PIPE, FUEL	1							
38	1	105090-59800	PIPE ASSY, INJECTION	1							
39	1	23080-013000	CLAMP, 13	1							

Remarks  
 (\$) ORDER BY FIG NO.15-15

# Fig.11. FUEL TANK

SPEC. CODE  
 D05092-07200  
 D05092-55140  
 D05092-55320  
 D05092-55410  
 D05302-55510



(A)=NFAD6-LIKFW

(B)=

(C)=

(D)=

(E)=

(F)=

No.	Lev.	Parts No.	Description	Q'ty						I	R
				(A)	(B)	(C)	(D)	(E)	(F)		
1	1	705092-55700	TANK ASSY, FUEL	1							
3	2	105302-55040	CAP, FUEL TANK	1							
4	2	101504-55051	GASKET	1							\$
5	2	105300-55080	PLUG, 8	1							
6	2	105372-55100	STRAINER, FUEL	1							
7	2	105092-55150	GAUGE, FUEL	1							
8	2	23414-080000	GASKET, 8X1.0	1							
9	2	104607-55220	FELT, FUEL TANK	1							
10	1	26106-080142	BOLT, M8X 14 PLATED	1							
11	1	26106-080322	BOLT, M8X 32 PLATED	2							
12	1	104107-07900	NUT, M10	1							
13	1	105500-07920	NUT, M10	1							
14	1	105090-07940	BOLT, LIFTING	1							
15	1	105092-55241	STAY, FUEL TANK	1							
16	1	105092-55820	COVER, LIGHT	1							
17	1	105100-55820	BUSH	4							
18	1	26106-060122	BOLT, M6X 12 PLATED	4							
19	1	26106-080202	BOLT, M8X 20 PLATED	2							
20	1	105092-55520	ABSORBER	2							
21	1	105092-55530	RETAINER	1							
22	1	105100-55540	COLLAR	2							

Remarks  
 (\$) ORDER BY FIG NO.15-15



# Fig.12. GOVERNOR & CONTROL DEVICE

(A)=NFAD6-LIKFW

(B)=

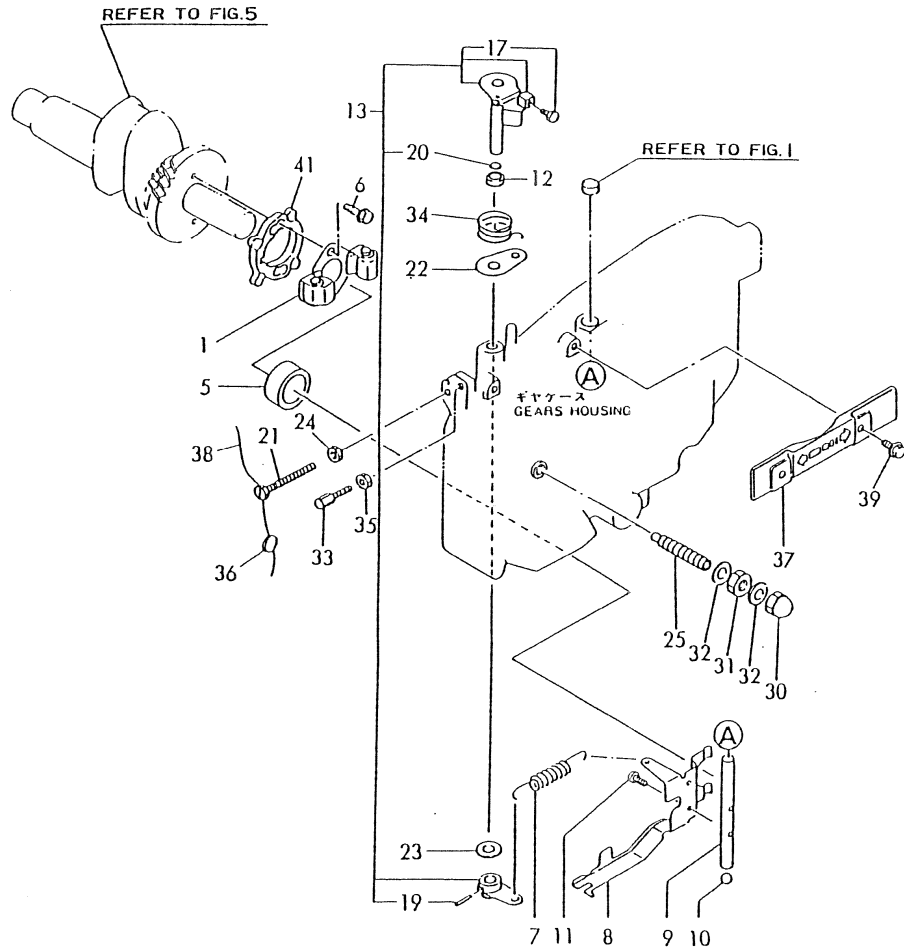
(C)=

(D)=

(E)=

(F)=

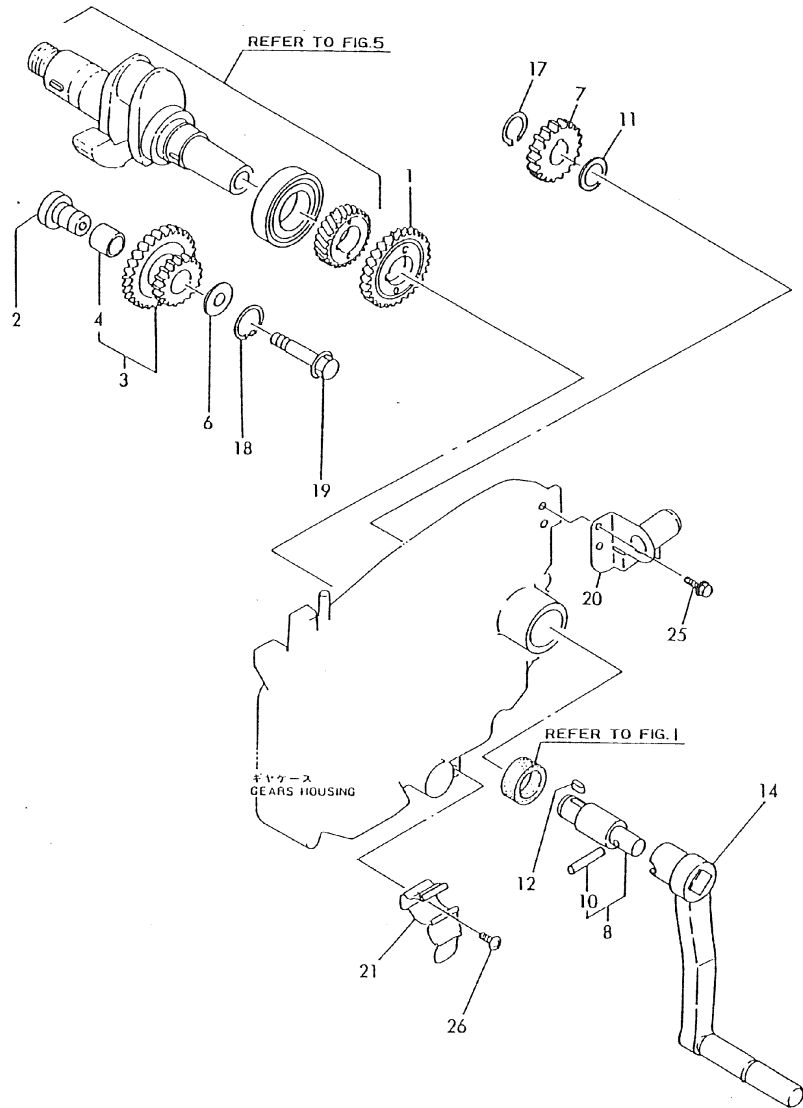
SPEC. CODE  
 D05092-61100  
 D05090-61110  
 D05090-66100  
 D05192-66210  
 D05090-66300  
 D05302-66220  
 D05300-66310  
 D05302-67101



No.	Lev.	Parts No.	Description	Q'ty						I	R
				(A)	(B)	(C)	(D)	(E)	(F)		
1	1	705090-61700	GOVERNOR ASSY	1							
5	1	105300-61600	SLEEVE, GOVERNOR	1							
6	1	174100-61600	BOLT	2							
7	1	105300-66010	SPRING, REGULATOR	1							
8	1	105090-66300	LEVER, GOVERNOR	1							
9	1	105100-66400	SHAFT	1							
10	1	24190-120001	BALL, STEEL 3/8	1							
11	1	26022-050102	SCREW, M5X10	2							
12	1	121575-21850	WASHER	1							
13	1	705192-66700	SHAFT ASSY	1							
17	3	105225-66990	SCREW, M5X8.5	1							
19	2	22322-030200	PIN, TAPER 3X20	1							
20	2	24311-000070	O-RING, 1AP7.0	1							
21	1	105300-66520	SCREW	1							
22	1	105300-66850	RETAINER	1							
23	1	22117-100000	WASHER, 10	1							
24	1	26756-060002	NUT, LOCK M6	1							
25	1	105090-66551	LIMITER ASSY, FUEL	1							
30	1	124060-66950	NUT, CAP M10	1							
31	1	26796-100002	NUT, LOCK M10	1							
32	1	43400-500430	SEAL WASHER 10	2							
33	1	102100-67080	BOLT, ADJUSTING	1							
34	1	105502-67301	SPRING, RETURN	1							
35	1	26756-060002	NUT, LOCK M6	1							
36	1	135210-61090	LEAD	1							
37	1	105300-66110	COVER	1							
38	1	22451-080100	WIRE 0.8X 100	1							
38-1	1	22451-060080	WIRE, 0.6X80	1							N
		(A=EXXX)									
39	1	26106-060122	BOLT, M6X 12 PLATED	2							
40	1	105300-66610	CAP	1							
41	1	105090-61810	PIECE, DISTANCE	1							W
		(A=EXXX)									

# Fig.13. HAND STARTING DEVICE

SPEC. CODE  
 D05198-08200  
 D05092-76111  
 D05090-76121



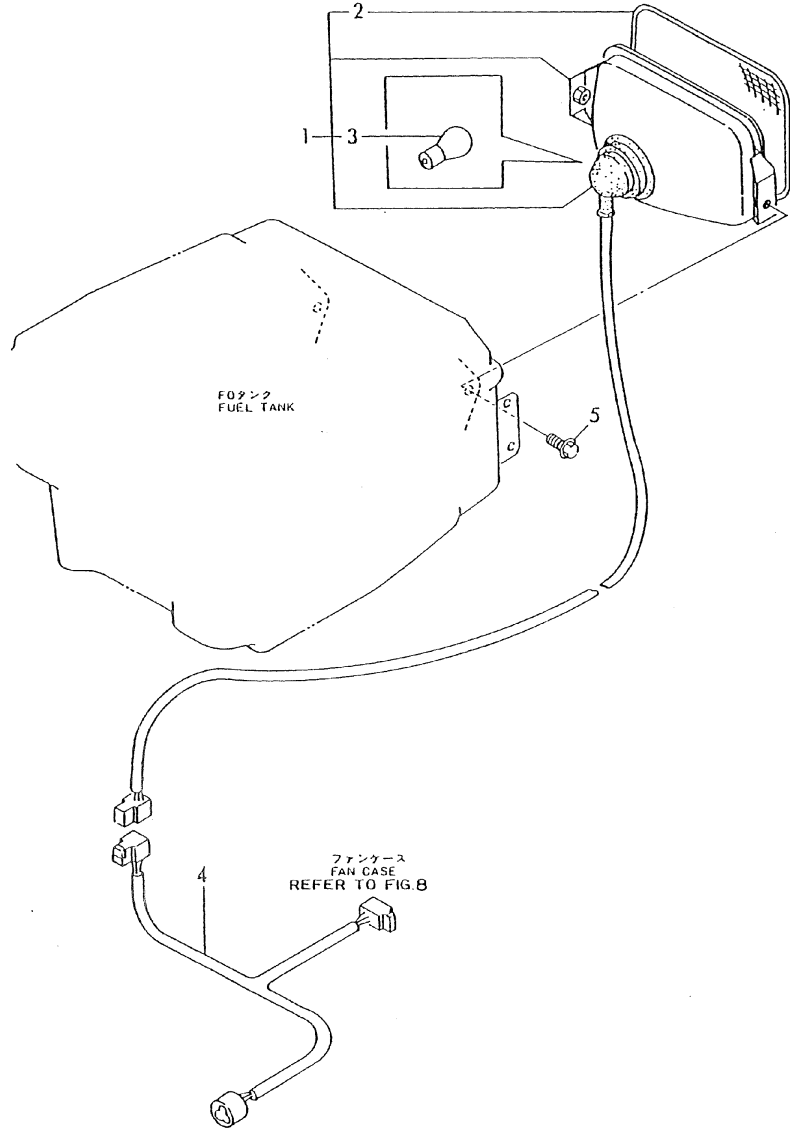
(A)=NFAD6-LIKFW  
 (B)=  
 (C)=

(D)=  
 (E)=  
 (F)=

No.	Lev.	Parts No.	Description	Q'ty						I	R
				(A)	(B)	(C)	(D)	(E)	(F)		
1	1	105092-28410	GEAR, BALANCER	1							
2	1	105302-28701	SHAFT, IDLE GEAR	1							
3	1	105092-28710	GEAR ASSY, IDLE	1							
4	2	105302-28720	BUSH	1							
6	1	105362-28750	SPACER	1							
7	1	105092-76330	GEAR, STARTER	1							
8	1	705302-76900	SHAFT ASSY, STARTING	1							
10	2	104200-76480	PIN	1							
11	1	105300-76470	COLLAR	1							
12	1	105300-76490	KEY, 7X10	1							
14	1	106100-76790	HANDLE ASSY	1							
17	1	22242-000200	RING, 20	1							
18	1	22242-000210	RING, 21	1							
19	1	26106-100652	BOLT, M10X 65 PLATED	1							
20	1	105198-08100	BRACKET, HANDLE	1							
21	1	105300-08510	BRACKET ASSY	1							
25	1	26106-060122	BOLT, M6X 12 PLATED	2							
26	1	26557-060082	SCREW, M6X 8	1							

Fig.14. LIGHTING DEVICE

SPEC. CODE  
D05092-78130  
D05092-78340



(A)=NFAD6-LIKFW  
(B)=  
(C)=

(D)=  
(E)=  
(F)=

No.	Lev.	Parts No.	Description	Q'ty						I	R
				(A)	(B)	(C)	(D)	(E)	(F)		
1	1	105092-78020	LAMP ASSY, HEAD	1							
2	2	105092-78260	LENS	1							
3	2	194190-55810	BULB 12V-35/25W	1							
4	1	105092-78530	HARNESS, WIRE	1							
5	1	26106-080142	BOLT, M8X 14 PLATED	2							

Fig.15. TOOLS & LABELS & GASKET SET

(A)=NFAD6-LIKFW

(B)=

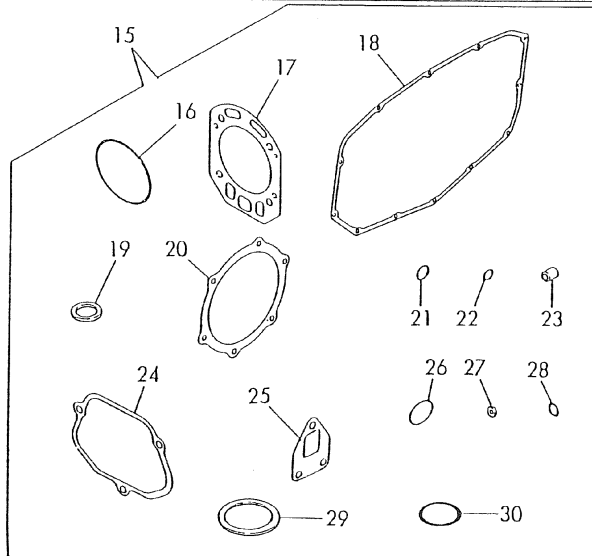
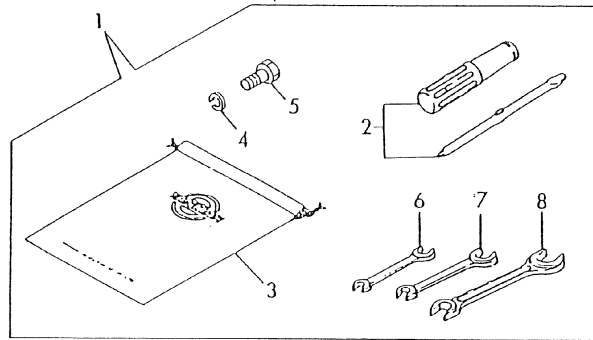
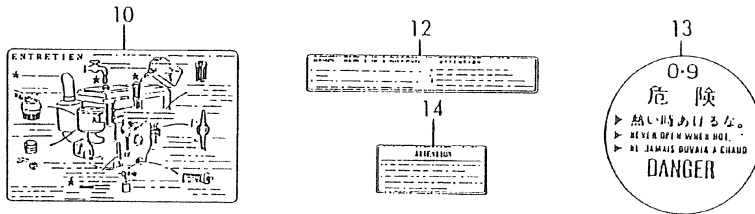
(C)=

(D)=

(E)=

(F)=

SPEC. CODE  
D05092-07140  
D05300-92100



No.	Lev.	Parts No.	Description	Q'ty						I	R
				(A)	(B)	(C)	(D)	(E)	(F)		
1	1	705300-92100	BOX ASSY, TOOL	1							
2	2	104200-92350	DRIVER, SCREW	1							
3	2	105300-92600	BAG, TOOL	1							
4	2	22217-120000	WASHER, SPRING 12	3							
5	2	26206-120352	BOLT, M12X 35 PLATED	3							
6	2	28110-100120	SPANNER, 10X12	1							
7	2	28110-140170	SPANNER, 14X17	1							
8	2	28110-190220	SPANNER, 19X22	1							
10	1	105092-07090	LABEL, CAUTION	1							
12	1	105092-07380	LABEL, AIR CLEANER	1							
13	1	105300-07400	LABEL, RADIATOR	1							
14	1	105092-07450	LABEL, RADIATOR	1							
15	1	705092-92600	GASKET SET	1							
16	2	105090-01300	O-RING	2							
17	2	105090-01330	GASKET, HEAD	1							
18	2	105090-01410	GASKET, GEAR CASE	1							
19	2	101104-01760	GASKET, CAP	1							
20	2	105090-02020	GASKET	1							
21	2	24341-000200	O-RING, 1AS20.0	1							
22	2	24311-000070	O-RING, 1AP7.0	1							
23	2	119625-11870	PROTECTOR, NOZZLE	1							
24	2	105090-11310	GASKET, BONNET	1							
25	2	105010-13200	GASKET	1							
26	2	103338-32570	O-RING	1							
27	2	124550-51350	GASKET, DELIVERY	1							
28	2	124550-51370	O-RING	1							
29	2	101504-55051	GASKET	1							
30	2	105300-55520	O-RING	1							

## Parts No. Index

Parts No.	Fig. No.	Ref. No.
101104-01760	1	29
	15	19
101158-03061	7	12
101158-03111	7	14
101158-11180	2	8
101158-11230	2	22
		26
101504-55051	11	4
	15	29
102100-67080	12	33
103338-32070	7	6
103338-32570	7	7
	15	26
104107-07900	11	12
104200-03641	2	38
104200-55750	10	22
104200-76480	13	10
104200-92350	15	2
104271-01950	1	31
104271-51450	9	20
104271-51460	9	21
104300-32150	7	1
104300-76460	4	9
104407-21600	5	12
104607-55220	11	9
105010-11920	2	13
105010-13200	3	8
	15	25
105010-21530	5	11
105050-53000	10	2 -1
105090-01300	1	3
	15	16
105090-01330	1	14
	15	17
105090-01410	1	25
	15	18
105090-01480	1	26
105090-01750	1	28
105090-02020	1	48
	15	20
105090-03081	7	13
105090-03131	7	15
105090-07940	11	14
105090-11100	2	5
105090-11111	2	6
105090-11290	2	14
105090-11310	2	42
	15	24
105090-11650	2	20
105090-11660	2	24

Parts No.	Fig. No.	Ref. No.
105090-11820	2	43
105090-13510	3	9
105090-13550	3	10
105090-14010	4	1
105090-14091	4	2
105090-14100	4	3
105090-14400	4	5
105090-14420	4	6
105090-14600	4	7
105090-21200	5	9
105090-21401	5	10
105090-22190	6	1
105090-22400	6	9
105090-22470	6	21
105090-22480	6	27
105090-22510	6	23
105090-22520	6	29
105090-23910	6	12
105090-44050	8	1
105090-44251	8	3
105090-44300	8	4
105090-44330	8	5
105090-44490	8	10
105090-44500	8	11
105090-44810	8	35
105090-44940	8	37
105090-53000	10	2
105090-59020	10	32
105090-59800	10	38
105090-61810	12	41
105090-66300	12	8
105090-66551	12	25
105092-01420	1	53
105092-07090	15	10
105092-07380	15	12
105092-07450	15	14
105092-12021	3	1
105092-12511	3	3
105092-12550	3	4
105092-12560	3	5
105092-14700	4	8
105092-21130	5	3
105092-21310	5	14
105092-21320	5	15
105092-21700	5	4
105092-21710	5	5
105092-28410	13	1
105092-28710	13	3
105092-44201	8	23
105092-44350	8	6

Parts No.	Fig. No.	Ref. No.
105092-44360	8	7
105092-44680	8	24
105092-44700	8	25
105092-55150	11	7
105092-55241	11	15
105092-55520	11	20
105092-55530	11	21
105092-55820	11	16
105092-76330	13	7
105092-78020	14	1
105092-78260	14	2
105092-78530	14	4
105100-01660	1	20
105100-02300	1	49
105100-02310	1	50
105100-44630	8	15
105100-44770	8	30
105100-44780	8	31
105100-44930	1	5
105100-55540	11	22
105100-55820	11	17
105100-66400	12	9
105140-34100	7	9
105140-76500	1	24
105190-12050	3	2
105190-35050	7	10
105192-59560	10	36
105192-59570	10	37
105198-08100	13	20
105200-51100	9	4
105215-01200	1	12
105215-01670	1	10
105225-23200	6	14
105225-66990	2	35
	12	17
105300-01690	1	27
105300-01920	1	30
105300-07400	15	13
105300-08510	13	21
105300-11330	2	3
105300-11900	2	18
105300-14200	4	4
105300-21381	5	16
105300-34040	1	21
105300-44220	8	2
105300-44451	8	8
105300-44460	5	17
	8	9
105300-44590	8	13
105300-51500	9	22

Parts No.	Fig. No.	Ref. No.
105300-51510	9	23
105300-51550	9	24
105300-51800	9	29
105300-53100	10	4
105300-55080	11	5
105300-55340	10	17
105300-55520	10	12
	15	30
105300-55530	10	11
105300-55610	10	13
105300-55700	10	14
105300-55750	10	26
105300-59100	10	31
105300-61600	12	5
105300-66010	12	7
105300-66110	12	37
105300-66520	12	21
105300-66610	12	40
105300-66850	12	22
105300-76470	13	11
105300-76490	13	12
105300-92600	15	3
105302-28701	13	2
105302-28720	13	4
105302-55040	11	3
105340-44570	8	12
105340-44710	8	26
105340-44750	8	29
105362-28750	13	6
105362-78960	7	16
105370-55650	10	10
105370-55710	10	25
105372-55100	11	6
105400-11121	2	7
105430-13570	3	11
105430-13590	3	12
105500-07920	11	13
105502-67301	12	34
106100-02331	1	51
106100-44560	8	47
		48
106100-44650	8	36
106100-44960	8	38
106100-76790	13	14
106383-44720	8	27
106383-44740	8	28
111130-02160	1	47
114250-51190	9	30
114250-53080	10	3
114250-53120	10	5

## Parts No. Index

Parts No.	Fig. No.	Ref. No.
114250-53130	10	6
114250-53140	10	7
114250-53210	10	8
114250-53400	10	9
119625-11870	2	19
	15	23
119625-11880	2	17
121250-44590	8	14
121450-01220	1	13
121575-21850	12	12
124060-66950	12	30
124550-51320	9	16
124550-51341	9	17
124550-51350	9	18
	15	27
124550-51370	9	19
	15	28
124722-59050	10	29
124766-59050	10	30
		34
124950-22300	6	8
124950-51190	9	7
129100-51300	9	15
129301-03660	10	28
135210-61090	12	36
160120-76940	1	44
	5	18
	8	16
160260-01580	3	7
160725-78350	8	17
174100-54120	9	13
174100-61600	12	6
174307-51170	9	5
174307-51181	9	6
174307-51700	9	25
194190-55810	14	3
22117-060000	2	44
22117-100000	12	23
22137-080000	8	41
22217-080000	1	34
	8	39
22217-120000	8	32
	15	4
22242-000200	13	17
22242-000210	13	18
22252-000100	1	22
22312-030180	2	37
22322-030180	2	31
22322-030200	12	19
22351-060012	1	11

Parts No.	Fig. No.	Ref. No.
22451-060080	12	38 -1
22451-080100	12	38
22512-050140	5	6
		7
22512-070500	4	10
23064-090370	7	17
23080-013000	10	39
23414-080000	11	8
24107-062013	8	33
24190-120001	1	23
	12	10
24311-000070	2	39
	12	20
	15	22
24311-000160	10	24
24321-000250	1	36
24341-000200	7	11
	15	21
25117-003301	8	42
26013-060102	1	54
26013-060129	8	18 -1
26013-060142	5	19
26013-060149	8	18
26013-060162	8	19
26013-080189	3	13 -1
26013-080209	3	13
26022-050102	9	28
	12	11
26022-060122	4	11
26023-060252	7	18
26106-060102	8	22 -1B
26106-060122	5	13
	7	8
	8	20
		46
		46 -1
	11	18
	12	39
	13	25
26106-060202	1	37
	2	40
	5	20
	8	21
		22
		22 -1A
26106-060252	8	43
26106-060302	1	38
26106-060552	1	39
26106-060602	2	41
26106-060652	1	43

Parts No.	Fig. No.	Ref. No.
26106-080142	11	10
	14	5
26106-080162	8	44
26106-080202	3	6
	11	19
26106-080302	10	27
26106-080322	11	11
26106-080352	8	45
26106-100652	13	19
26116-050082	1	52
26206-120352	15	5
26216-060402	2	11
26216-080222	1	40
26216-080452	2	10
26226-080222	1	41
26366-060002	1	4
	2	12
26366-080002	1	42
	2	28
26554-060162	3	14
26557-060082	13	26
26557-060142	4	12
26716-080002	1	35
	8	40
26756-060002	12	24
		35
26756-080002	2	23
		27
26777-120002	8	34
26796-100002	12	31
27231-150000	2	4
27310-070001	2	9
28110-100120	15	6
28110-140170	15	7
28110-190220	15	8
43400-500430	12	32
705050-53100	10	1 -1
705090-01560	1	6
705090-01900	1	1
705090-02500	1	45
705090-11700	2	1
705090-22501	6	3
705090-23100	6	10
705090-23600	6	15
705090-23610	6	17
705090-23620	6	19
705090-51101	9	1
705090-51102	9	1 -1
705090-53100	10	1
705090-61700	12	1

Parts No.	Fig. No.	Ref. No.
705092-01500	1	15
705092-03550	2	30
705092-11520	2	29
705092-21700	5	1
705092-55700	11	1
705092-92600	15	15
705192-66700	12	13
705300-92100	15	1
705302-76900	13	8
711100-51540	9	10
724550-51520	9	8