

OCD10-M35103EN

PREFACE

1. This Parts Catalog is the 1st edition of 3TN84L-RTBZ Diesel Engine for TAKEUCHI IND..

Pub. No. : 000Y00D3513

Published : June, 1994

2. Model name

Engine model	Vehicle		Vehicle made by
	Products	Model name	
3TN84L-RTBZ	EXCAVATOR	—	TAKEUCHI IND.

Directions for the Parts Catalog.

1. The parts stipulated in this Parts Catalog are not necessarily standard equipped parts.
2. Parts may change without prior notice.
3. The following is an example of the Parts Catalog format.

OCF10-G21601 29. FUEL INJECTION PUMP(W/BOOST)

REF.	LEV.	PARTS NO.	DESCRIPTION	Q'TY						I	R
				(A)	(B)	(C)	(D)	(E)	(F)		
1	1	729595-51390	FUEL INJECTION PUMP	1	1	1	1	1			1
1-1	1	729595-51391	FUEL INJECTION PUMP	1	1	1	1	1		N	1
		(A=E00185) (B=E00200)									
3	2	26022-060162	SCREW M 6X 16	9	9	9	9	9			
3-1	2	26022-060162	SCREW M 6X 16	4	4	4	4	4		K	
		(A=E00156) (B=E00156) (C=E00156) (D=E00156) (E=E00156)									
4	2	129470-51040	CAMSHAFT	1	1	1	1	1			
5	2	122710-51050	BEARING, ROLLER	2	2	2	2	2			
6	2	129470-51060	RETAINER	1	1	1	1	1			

Remarks

(1) BOOST COMPEMSATOR TYPE. OPTIONAL PART, TO E00155,(4JH-DT, 4JH-DTZ

① Ref. No.

The Ref. No. listed may not be in accordance with the illustration Ref. No.

(Ex.) Illustration No.

List Ref No.

1

1

(Before change)

1-1

(After change)

For interchangeable symbols N, R and K, illustrations for new parts may be abbreviated.

② Lev. (Level)

Level indication

The numbers below indicate the level of relativity towards the main part.

1 ----- Main parts (Assembly parts)

2 ----- Sub component included in " 1 ".

3 ----- Sub component included in " 2 ".

Note) Parts that are not for sale are partially illustrated but not listed.

③ Interchangeability Mark

When a part change takes place, one of the following interchangeability symbols is indicated beside the part.

Symbol	Interchangeability	Contents note
N	Old $\begin{matrix} \leftarrow \text{Yes} \\ \text{No} \rightarrow \end{matrix}$ New	New Part is interchangeable for Old Part but Old Part is not interchangeable for New Part.
Q	Old $\begin{matrix} \leftarrow \text{No} \\ \text{Yes} \rightarrow \end{matrix}$ New	New Part is not interchangeable for Old Part but Old Part is interchangeable for New Part.
R	Old $\begin{matrix} \leftarrow \text{Yes} \\ \text{Yes} \rightarrow \end{matrix}$ New	New/ Old Parts are both interchangeable.
S	Old $\begin{matrix} \leftarrow \text{No} \\ \text{No} \rightarrow \end{matrix}$ New	New/ Old Parts are both not interchangeable.
W		Part newly added.
Z		Part discontinued.
F		Not interchangeable by a single part but interchangeable together with related parts.
K		Changes only for used parts quantities.

④ Effective Machine No.

When a part changes, the effective Machine No. will be indicated in the (A)-(F) column.

Product Symbol	Product No.	Product Symbol	Product No.
C	Clutch No. Compressor No.	F	Machine No. (Agricultural Equip.)
D	Drive No.	M	Machine No.
E	Engine No.		

Note 1) A date may follow the symbol. (Ex.) 1996.01

Note 2) "XXXXX" and "ZZZZZ" are for parts that could not be predicted or for engine models that could not be identified.

Note 3) (A=E00185) is the E (Engine Serial Number) for the column (A) model (in this case 4JH-DT) after the parts design change.

⑤ Remarks Mark

Figures or alphabets (symbols) are entered in the remarks column.

The comments (remarks) on parts that are indicated at the bottom of the illustration are the same symbols as those stated above.

Contents

Fig. No. Fig. Name

3TN84L-RTBZ

1. CYLINDER BLOCK
2. GEAR HOUSING
3. FLYWHEEL HOUSING & OIL SUMP
4. CYLINDER HEAD & BONNET
5. SUCTION MANIFOLD & AIR CLEANER
6. EXHAUST MANIFOLD & SILENCER
7. CAMSHAFT & DRIVING GEAR
8. CRANKSHAFT & PISTON
9. LUB. OIL SYSTEM
10. COOLING WATER SYSTEM
11. THERMOSTAT
12. FUEL INJECTION PUMP
13. FUEL INJECTION PIPES
14. FUEL OIL PIPES
15. GOVERNOR
16. ENGINE STOP DEVICE
17. STARTING MOTOR
18. GENERATOR
19. GASKET SET & TOOLS

Fig. No. Fig. Name

Fig.1. CYLINDER BLOCK

(A)=3TN84L-RTBZ

(B)=

(C)=

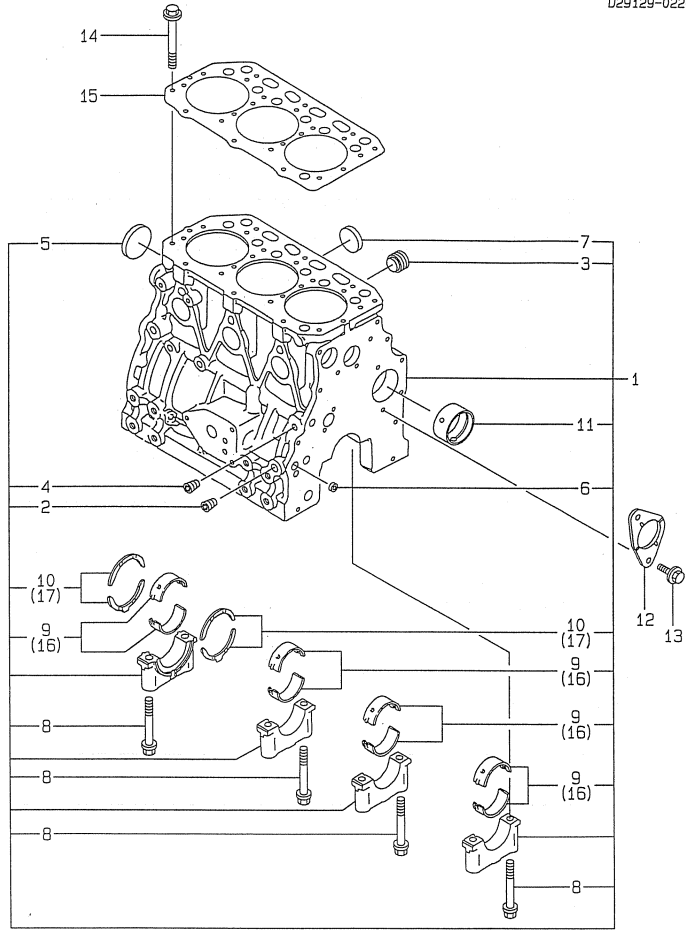
(D)=

(E)=

(F)=

Y0003513
3TN84L-RTBZ

D29105-01100
D29150-02100
D29129-02200



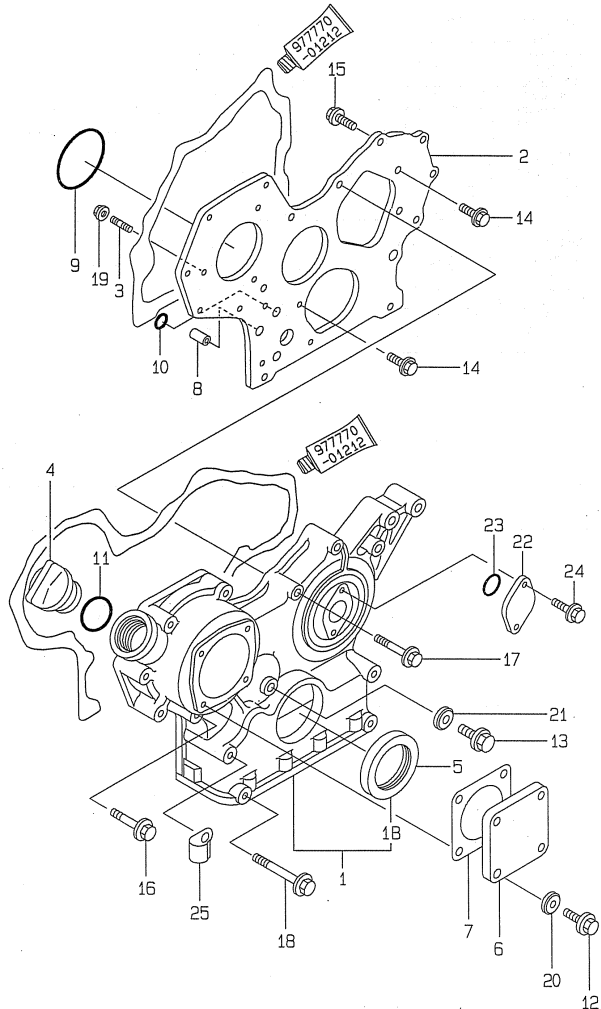
No.	Lev.	Parts No.	Description	Q'ty						I	R
				(A)	(B)	(C)	(D)	(E)	(F)		
1	1	729157-01560	BLOCK ASSY, CYLINDER	1							
2	2	124160-01910	PLUG, PT1/4	3							
3	2	171051-01921	PLUG, NPTF1	1							
4	2	23871-010000	PLUG, R01	1							
5	2	27231-500000	PLUG 50	1							
6	2	27241-120000	PLUG, 12	2							
7	2	27241-300000	PLUG 30	6							
8	2	129150-02020	BOLT, METAL CAP	8							
9	2	129150-02800	BEARING, MAIN	4							
10	2	129150-02930	BEARING, THRUST	2							
11	2	129795-02411	BUSH, CAMSHAFT	1							
12	1	129150-02450	BEARING, THRUST	1							Z
(A=E6666)											
13	1	26106-080162	BOLT, M8X 16 PLATED	2							
14	1	129150-01200	BOLT, HEAD	14							
15	1	129157-01332	GASKET, HEAD	1							G
15-1	1	129157-01333	GASKET, HEAD	1							R G
(A=E61617)											
16	1	129150-02870	BEARING, 0.25 US	4							1
17	1	129150-02940	BEARING, THRUST 0.25	2							2

Remarks
 (1) UNDER-SIZE(U.S=0.25)PART.
 (2) OVER-SIZE(O.S=0.25)PART.
 (G) THESE PARTS ARE SOLD BY FIG.19,
 REF.NO.1,1-1.

Fig.2. GEAR HOUSING

Y00D3513
3TN84L-RTBZ

D29400-01220
D29100-01810



(A)=3TN84L-RTBZ

(B)=

(C)=

(D)=

(E)=

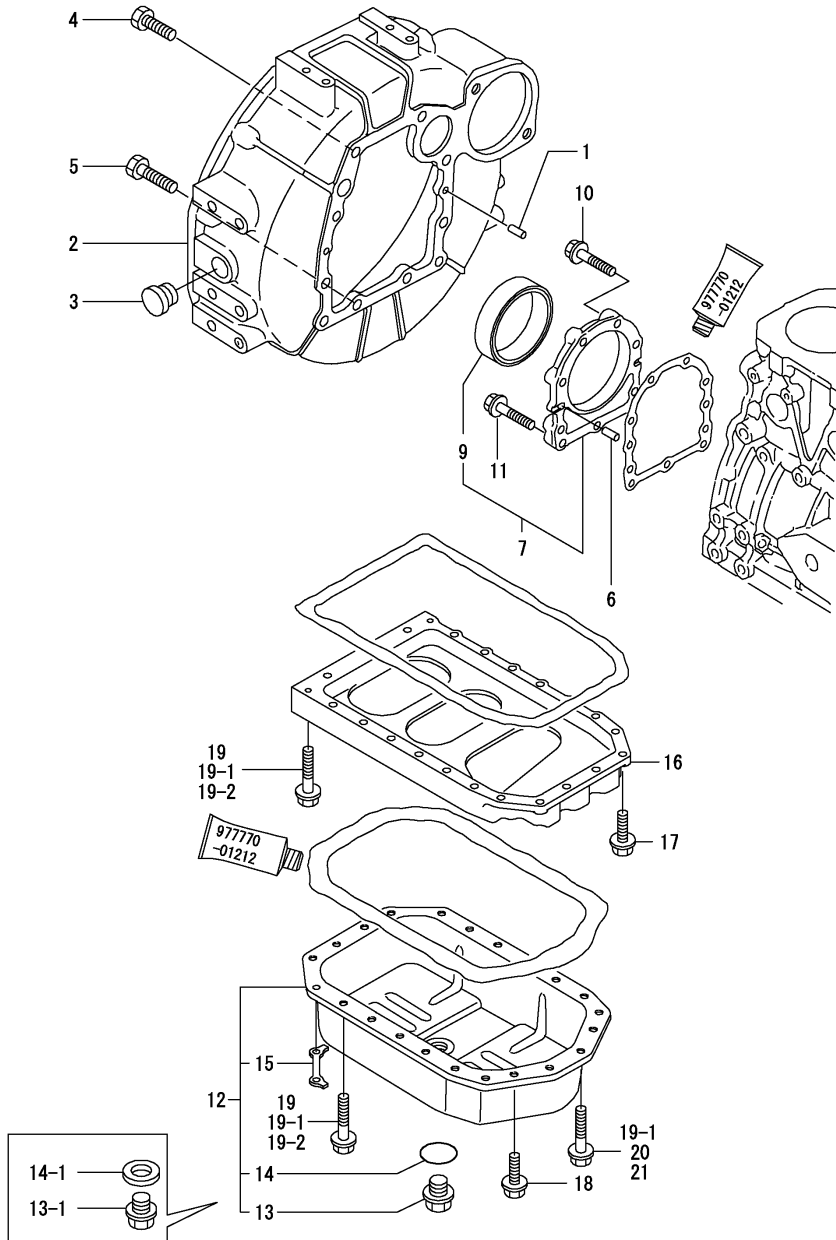
(F)=

No.	Lev.	Parts No.	Description	Q'ty						I	R
				(A)	(B)	(C)	(D)	(E)	(F)		
1	1	129400-01590 (A=E44537)	CASE ASSY, GEAR	1							W
1-1	1	719810-01500 (A=E44537)	CASE ASSY, GEAR	1							N
1B	2	129795-01800 (A=E44537)	SEAL, OIL	1							W
2	1	129400-01520	FLANGE, GEAR CASE	1							
3	1	121450-01560	STUD, M8X22	3							
4	1	124160-01751	COVER, FILLER	1							
5	1	129795-01800 (A=E44537)	SEAL, OIL	1							Z
6	1	124240-01871	COVER	1							
7	1	124240-01883	GASKET	1							G
8	1	129795-01950	PIPE, KNOCK L=18	2							
9	1	121850-51960	O-RING	1							G
10	1	24311-000160	O-RING, 1AP16.0	2							
11	1	24311-000320	O-RING, 1AP32.0	1							
12	1	26106-080122	BOLT, M8X 12 PLATED	4							
13	1	26106-080162	BOLT, M8X 16 PLATED	1							
14	1	26106-080162	BOLT, M8X 16 PLATED	3							
15	1	26106-080202	BOLT, M8X 20 PLATED	2							
16	1	26106-080452	BOLT, M8X 45 PLATED	6							
17	1	26106-080552	BOLT, M8X 55 PLATED	3							
18	1	26106-080852	BOLT, M8X 85 PLATED	4							
19	1	26366-080002	NUT, M8	3							
20	1	43400-500410	SEAL WASHER 8S	4							
20-1	1	22190-080002	WASHER, SEAL 6	4							N
21	1	43400-500410 (A=E60906)	SEAL WASHER 8S	1							
21-1	1	22190-080002	WASHER, SEAL 6	1							N
22	1	121023-01550 (A=E60906)	COVER	1							
23	1	24341-000240	O-RING, 1AS24.0	1							
24	1	26106-060122	BOLT, M6X 12 PLATED	2							
25	1	129150-03100 (A=E44537)	RETAINER, PIPE	1							W

Remarks

(G) THESE PARTS ARE SOLD BY FIG.19,
REF.NO.1,1-1.

Fig.3. FLYWHEEL HOUSING & OIL SUMP



(A)=3TN84L-RTBZ

(B)=

(C)=

(D)=

(E)=

(F)=

No.	Lev.	Parts No.	Description	Qty						I	R
				(A)	(B)	(C)	(D)	(E)	(F)		
1	1	129100-01580	PIN, M8X16	2							
2	1	171301-01600	HOUSING, FLYWHEEL	1							
3	1	119620-01750	CAP	1							
4	1	26206-100252	BOLT, M10X 25 PLATED	6							
5	1	26206-100302	BOLT, M10X 30 PLATED	4							
6	1	129100-01580	PIN, M8X16	2							
7	1	129100-01640	CASE ASSY, OIL SEAL	1							
9	2	129795-01780	SEAL, OIL	1							
10	1	26106-080302	BOLT, M8X 30 PLATED	6							
11	1	26106-080352	BOLT, M8X 35 PLATED	3							
12	1	729102-01540	SUMP ASSY, OIL	1							
13	2	171301-01640	PLUG, 22	1							
13-1	2	119640-01640	PLUG, DRAIN M22	1							S
		(A=E62512)									
14	2	24341-000240	O-RING, 1AS24.0	1							
14-1	2	22190-220002	WASHER, SEAL 22	1							S
		(A=E62512)									
15	2	129100-01790	RETAINER	2							Z
		(A=E62512)									
16	1	129100-01730	SPACER, OIL SUMP	1							
17	1	26106-080252	BOLT, M8X 25 PLATED	2							
18	1	26106-080162	BOLT, M8X 16 PLATED	4							
19	1	26106-080452	BOLT, M8X 45 PLATED	16							
19-1	1	26106-080452	BOLT, M8X 45 PLATED	20							K
		(A=E62512)									
19-2	1	26106-080452	BOLT, M8X 45 PLATED	16							K
		(A=FROM 1ST)									
20	1	26106-080502	BOLT, M8X 50 PLATED	4							Z
		(A=E62512)									
21	1	26106-080502	BOLT, M8X 50 PLATED	4							W
		(A=FROM 1ST)									

Fig.4. CYLINDER HEAD & BONNET

(A)=3TN84L-RTBZ

(B)=

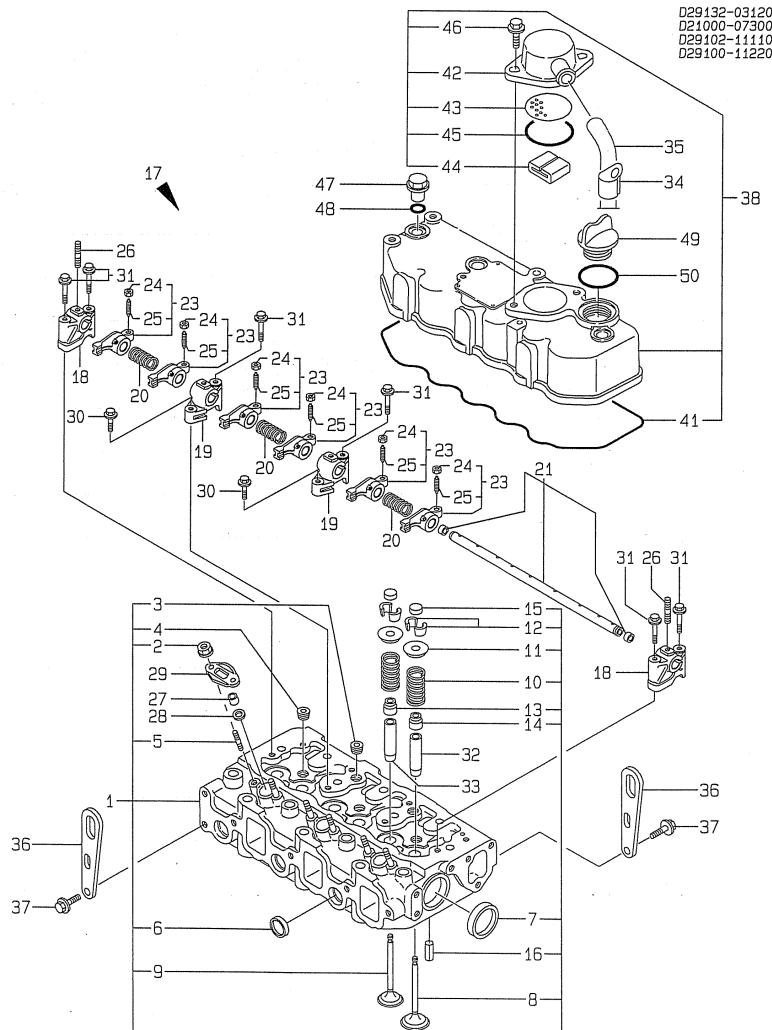
(C)=

(D)=

(E)=

(F)=

Y00D3513
3TNB4L-RTBZ



No.	Lev.	Parts No.	Description	Qty						I	R
				(A)	(B)	(C)	(D)	(E)	(F)		
1	1	729102-11700	HEAD ASSY, CYLINDER	1							
2	2	26366-060002	NUT, M6	6							
3	2	121850-11860	PLUG, PT1/4	2							
4	2	23871-030000	PLUG, R03	3							
5	2	26216-060202	STUD, M6X 20	6							
6	2	27241-220000	PLUG, 22	3							
7	2	27241-400000	PLUG, 40	2							
8	2	129100-11100	VALVE, INTAKE	3							
9	2	129100-11110	VALVE, EXHAUST	3							
10	2	129795-11120	SPRING, VALVE	6							
11	2	129795-11180	RETAINER, SPRING	6							
12	2	103338-11190	COTTER	6							
13	2	121400-11340	SEAL, VALVE STEM	3							
14	2	124460-11340	SEAL, VALVE STEM	3							
15	2	129150-11370	CAP, VALVE	6							
16	2	22351-060012	PIN, SPRING 6.0X12	2							
17	1	129155-11241	SHAFT ASSY, ROCKER	1							
18	2	129155-11260	SUPPORT, ROCKER ARM	2							
19	2	129155-11270	SUPPORT, ROCKER ARM	2							
20	2	129150-11280	SPRING	3							
21	2	129150-11290	SHAFT, ROCKER ARM	1							
23	2	729402-11650	ARM ASSY, ROCKER	6							
24	3	129150-11750	NUT, M8	6							
25	3	129150-11230	SCREW, VALVE ADJUST	6							
26	2	26226-080182	STUD, M8X 18	3							
27	1	119625-11870	PROTECTOR, NOZZLE	3							
28	1	119625-11880	SEAT, NOZZLE	3							
29	1	119625-11900	RETAINER, NOZZLE	3							
30	1	26106-080252	BOLT, M8X 25 PLATED	2							
31	1	26106-080502	BOLT, M8X 50 PLATED	6							
32	1	120130-11860	GUIDE, VALVE	3							1
33	1	129150-11810	GUIDE, VALVE	3							1
34	1	129150-03100	RETAINER, PIPE	1							Z
(A=E27736)											
35	1	23065-160800	PIPE, 16X 800	1							
36	1	124736-07900	LIFTER	2							
37	1	26106-080142	BOLT, M8X 14 PLATED	4							
38	1	729132-11520	BONNET ASSY, HEAD	1							
38-1	1	129100-11350	BONNET ASSY, HEAD	1							N
(A=E27736)											
41	2	129150-11310	GASKET, BONNET	1							G
42	2	129150-03020	COVER, BREATHER	1							
43	2	129150-03080	PLATE, BAFFLE	1							
44	2	129150-03070	BAFFLE, BREATHER	1							
45	2	24341-000500	O-RING, 1AS50.0	1							G
46	2	26106-080162	BOLT, M8X 16 PLATED	2							
47	1	124160-11360	KNOB	3							
48	1	24311-000120	O-RING, 1AP12.0	3							G
49	1	124160-01751	COVER, FILLER	1							
50	1	24311-000320	O-RING, 1AP32.0	1							

Remarks

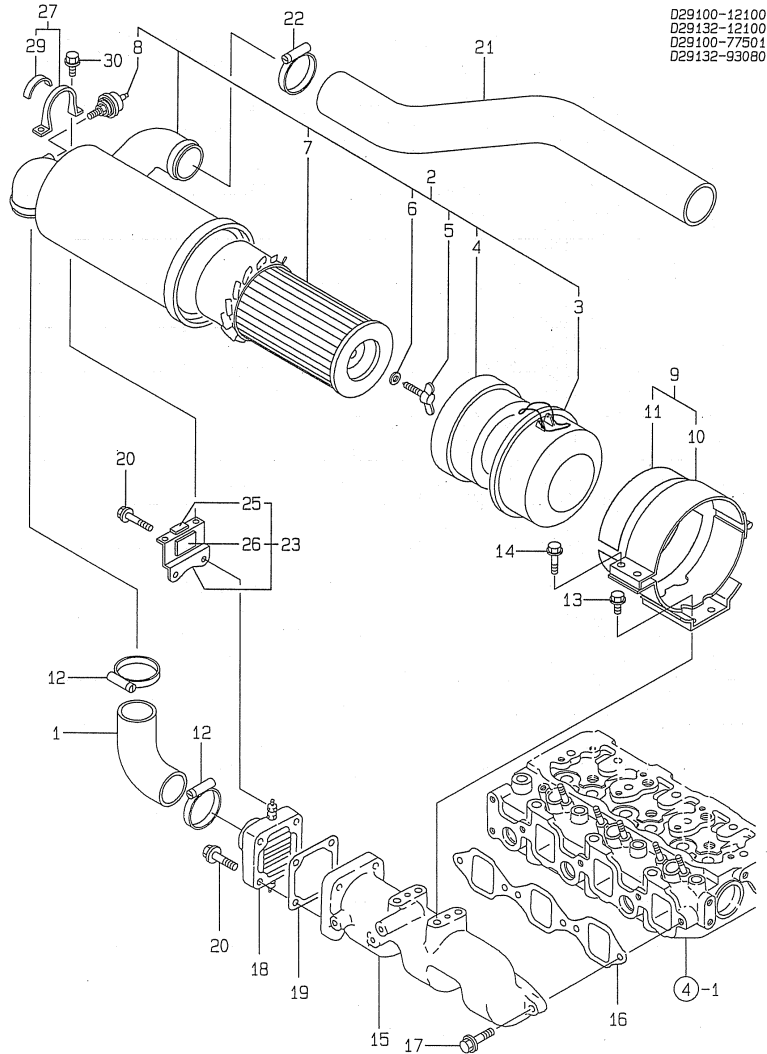
(1) REPAIR PART.

(G) THESE PARTS ARE SOLD BY FIG.19,

REF.NO.1,1-1.

Fig.5. SUCTION MANIFOLD & AIR CLEANER

Y00D3513
3TN84L-RTBZ



(A)=3TN84L-RTBZ

(B)=

(C)=

(D)=

(E)=

(F)=

No.	Lev.	Parts No.	Description	Qty						I	R
				(A)	(B)	(C)	(D)	(E)	(F)		
1	1	119840-12210	PIPE, AIR INTAKE	1							
2	1	129132-12520	CLEANER ASSY, AIR	1							
3	2	121120-12531	PAN, DUST	1							
4	2	121120-12541	RETAINER, ELEMENT	1							
5	2	121120-12561	BOLT	1							
6	2	121120-12571	WASHER, SEAL	1							
7	2	121120-12901	ELEMENT	1							
8	2	121262-12800	INDICATOR	1							
9	1	129132-12581	SUPPORT ASSY,CLEANER	1							
10	2	129132-12561	SUPPORT, AIR CLEANER	1							
11	2	119640-12580	SEAT, RUBBER	2							
12	1	23000-060000	CLAMP, 60	2							
13	1	26106-080142	BOLT, M8X 14 PLATED	4							
14	1	26106-080252	BOLT, M8X 25 PLATED	2							
15	1	129122-12100	MANIFOLD, AIR INTAKE	1							
16	1	129150-12110	GASKET, MANIFOLD	1							G
16-1	1	129150-12111	GASKET, MANIFOLD	1							N G
(A=E27736)											
17	1	26106-080252	BOLT, M8X 25 PLATED	4							
18	1	129120-77501	HEATER	1							
19	1	129150-77510	GASKET	1							G
19-1	1	129150-77511	GASKET	1							N G
(A=E27736)											
20	1	26106-080352	BOLT, M8X 35 PLATED	4							
21	1	129132-12210	PIPE, AIR INTAKE	1							
21-1	1	129132-12220	PIPE, AIR INTAKE	1							N
(A=E37520)											
22	1	23000-060000	CLAMP, 60	1							
23	1	129132-12810	SUPPORT, AIR CLEANER	1							
25	2	129132-12890	SEAT, RUBBER	1							
26	2	129132-12900	DAMPER	1							
27	1	129132-12800	BAND, AIR CLEANER	1							
29	2	129132-12860	SEAT, RUBBER	1							
30	1	26106-060142	BOLT, M6X 14 PLATED	2							

Remarks

(G) THESE PARTS ARE SOLD BY FIG.19,
REF.NO.1,1-1.

Fig.6. EXHAUST MANIFOLD & SILENCER

(A)=3TN84L-RTBZ

(B)=

(C)=

(D)=

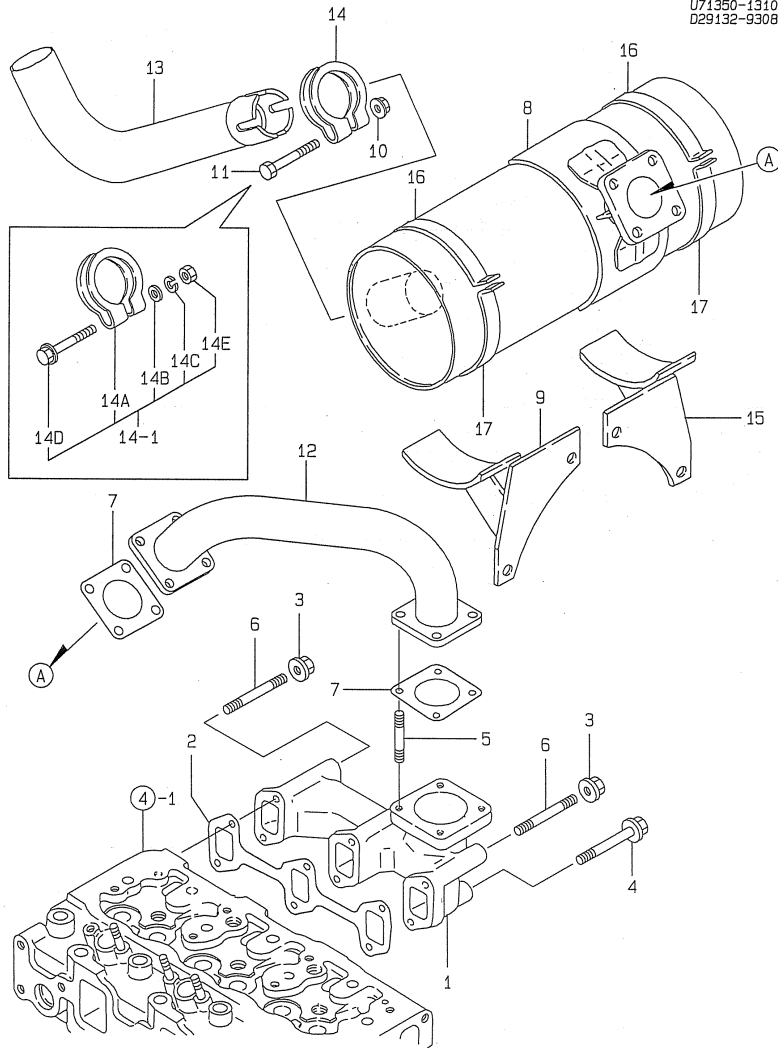
(E)=

(F)=

Q'ty

Y00D3513
3TN84L-RTBZ

U71350-13100TK
D29132-93080



No.	Lev.	Parts No.	Description	Q'ty						I	R
				(A)	(B)	(C)	(D)	(E)	(F)		
1	1	171350-13100	MANIFOLD, EXHAUST	1							
2	1	129150-13110	GASKET	1							G
3	1	194990-22050	NUT, M8	2							
4	1	26106-080802	BOLT, M8X 80 PLATED	4							
5	1	26216-080222	STUD, M8X 22	4							
6	1	26216-080802	STUD, M8X 80	2							
7	1	124701-11910	GASKET, SILENCER	2							G
7-1	1	124701-11911 (A=E27736)	GASKET, SILENCER	2							N G
8	1	129132-13500	SILENCER	1							
9	1	129130-13650	SUPPORT	1							
10	1	26706-100002	NUT, M10	1							Z
11	1	26106-100652 (A=E35864)	BOLT, M10X 65 PLATED	1							Z
12	1	129132-13160	PIPE	1							
13	1	129132-13170	PIPE	1							
14	1	121120-13580	CLAMP	1							
14-1	1	121120-13590 (A=E35864)	CLAMP	1							N
14A	2	121120-13580 (A=E35864)	CLAMP	1							W
14B	2	22137-100000 (A=E35864)	WASHER, 10	1							W
14C	2	22217-100000 (A=E35864)	WASHER, SPRING 10	1							W
14D	2	26106-100652 (A=E35864)	BOLT, M10X 65 PLATED	1							W
14E	2	26706-100002 (A=E35864)	NUT, M10	1							W
15	1	129130-13660	SUPPORT	1							
16	1	129111-13670	BAND, SILENCER	2							
17	1	129111-13680	BAND, SILENCER	2							

Remarks

(G) THESE PARTS ARE SOLD BY FIG.19,
REF.NO.1,1-1.

Fig.7. CAMSHAFT & DRIVING GEAR

(A)=3TN84L-RTBZ

(B)=

(C)=

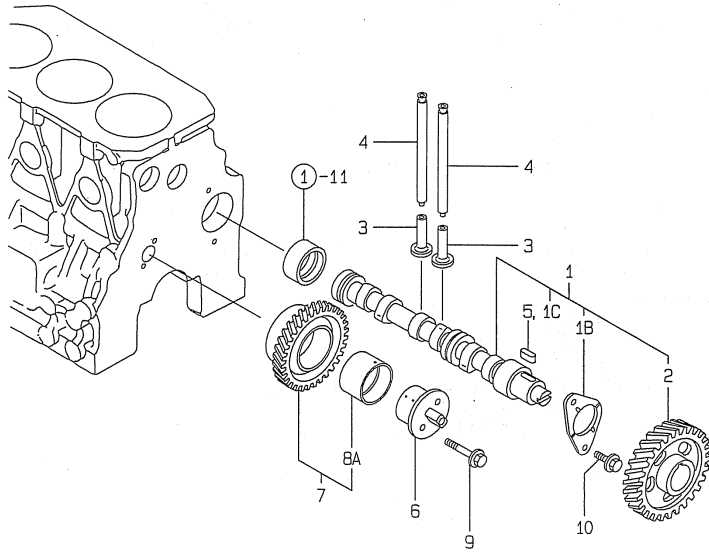
(D)=

(E)=

(F)=

Y00D3513
3TN84L-RTBZ

D29129-14100
D29100-25101



No.	Lev.	Parts No.	Description	Q'ty						I	R
				(A)	(B)	(C)	(D)	(E)	(F)		
1	1	129129-14580 (A=EXXX)	CAMSHAFT ASSY	1							W
1B	2	129150-02450 (A=EXXX)	BEARING, THRUST	1							W
1C	2	22512-070140 (A=EXXX)	KEY, 7X 14	1							W
2	2	129150-14101	GEAR, CAMSHAFT	1							
3	1	129150-14200	TAPPET	6							
4	1	129150-14400	ROD, PUSH L=178	6							
5	1	22512-070140 (A=EXXX)	KEY, 7X 14	1							Z
6	1	129100-25061	SHAFT, IDLE	1							
7	1	129150-25101	GEAR ASSY, IDLE	1							
8A	2	129150-25920 (A=EXXX)	BUSH, IDLE GEAR	1							W 1
9	1	26106-080452	BOLT, M8X 45 PLATED	2							
10	1	26106-080162 (A=FROM 1ST)	BOLT, M8X 16 PLATED	2							W

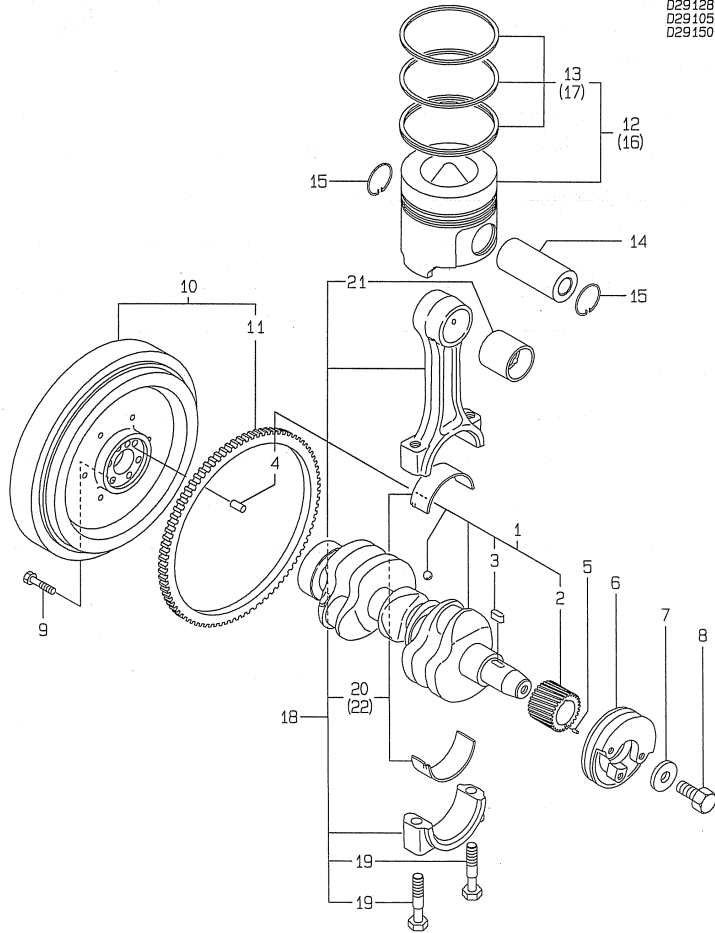
Remarks

(1) REPAIR PART.

Fig.8. CRANKSHAFT & PISTON

Y00D3513
3TN84L-RTBZ

D29100-21100
D29100-21200
D29128-21320
D29105-22110
D29150-23100



(A)=3TN84L-RTBZ

(B)=

(C)=

(D)=

(E)=

(F)=

No.	Lev.	Parts No.	Description	Q'ty						I	R
				(A)	(B)	(C)	(D)	(E)	(F)		
1	1	729102-21700	CRANKSHAFT ASSY	1							
2	2	129150-21200	GEAR, CRANKSHAFT	1							
3	2	22512-070140	KEY, 7X 14	1							
4	2	129100-01580	PIN, M8X16	1							
5	1	22351-040010	PIN, SPRING 4.0X10	1							
6	1	171340-21650	V-PULLEY	1							
7	1	129795-21661	WASHER	1							
8	1	121850-21680	BOLT	1							
9	1	121111-21501	BOLT, FLYWHEEL	6							
10	1	129128-21590	FLYWHEEL ASSY	1							
11	2	119865-21600	GEAR, RING	1							
12	1	129105-22080	PISTON ASSY	3							
13	2	129105-22500	RING SET, PISTON	3							
14	1	129150-22300	PIN, PISTON D26 L66	3							
15	1	121100-22400	CIRCLIP	6							
16	1	729105-22900	PISTON ASSY, 0.25 OS	3							1
17	2	729157-22951	RING SET, 0.25 OS	3							1
18	1	729402-23100	ROD ASSY, CONNECTING	3							
19	2	121550-23200	BOLT, CONNECTING ROD	6							
20	2	129150-23600	BEARING, CRANK PIN	3							
21	1	129100-23910	BEARING, PISTON PIN	3							2
22	1	129150-23610	BEARING, 0.25 US	3							3

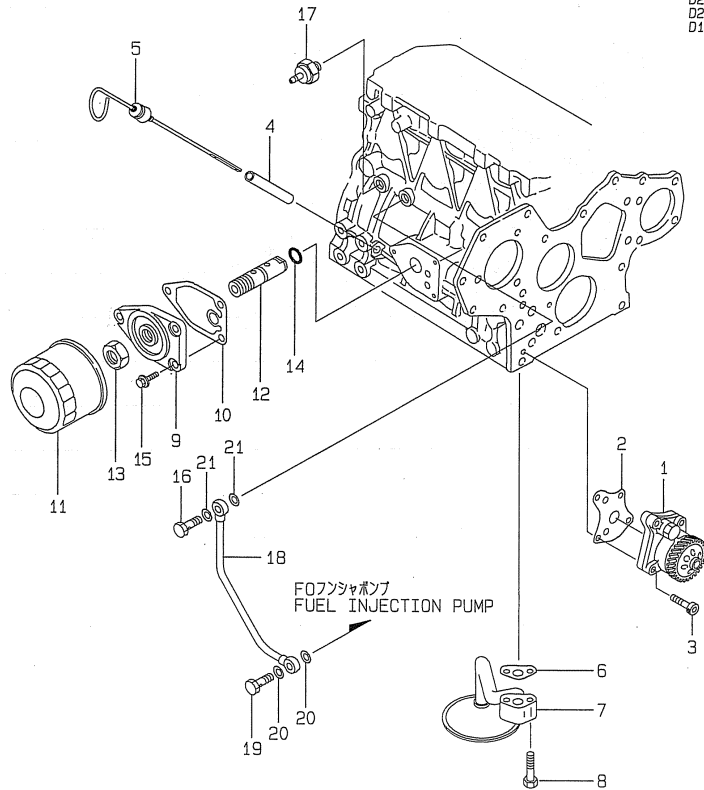
Remarks

- (1) OVER-SIZE(O.S=0.25)PART.
- (2) REPAIR PART.
- (3) UNDER-SIZE(U.S=0.25)PART.

Fig.9. LUB. OIL SYSTEM

Y00D3513
3TN84L-RTBZ

D29150-32100
D29100-34110
D29100-35100
D29100-35200
D29150-39110
D19600-39100



(A)=3TN84L-RTBZ

(B)=

(C)=

(D)=

(E)=

(F)=

No.	Lev.	Parts No.	Description	Qty						I	R
				(A)	(B)	(C)	(D)	(E)	(F)		
1	1	129150-32000	PUMP ASSY, OIL	1							
1-1	1	129001-32001	PUMP ASSY, OIL	1							S
(A=E66153)											
2	1	129150-32020	GASKET, PUMP	1							G
3	1	26450-060252	BOLT, M6X 25	4							
4	1	121520-34810	GUIDE, DIPSTICK	1							
5	1	171420-34800	DIPSTICK, OIL	1							
6	1	129150-35040	GASKET	1							G
6-1	1	129150-35041	GASKET	1							N G
(A=E27736)											
7	1	129150-35091	PIPE ASSY, OIL INLET	1							
8	1	26106-080352	BOLT, M8X 35 PLATED	2							
9	1	129150-35101	BRACKET, STRAINER	1							
10	1	129150-35110	GASKET	1							G
10-1	1	129150-35111	GASKET	1							N G
(A=E27736)											
11	1	129150-35150	FILTER 90X80L	1							
12	1	119865-35300	VALVE ASSY, CONTROL	1							
12-1	1	129001-35300	BOLT, FILTER	1							S
(A=E66153)											
13	1	129150-35350	NUT	1							
14	1	24311-000160	O-RING, 1AP16.0	1							
15	1	26106-080202	BOLT, M8X 20 PLATED	3							
16	1	124160-39140	BOLT, PIPE JOINT M10	1							
17	1	124160-39450	SWITCH, 0.5KG	1							
18	1	129150-39450	PIPE ASSY, OIL	1							
19	1	124550-59820	BOLT, PIPE JOINT M8	1							
20	1	23414-080000	GASKET, 8X1.0	2							
21	1	23414-100000	GASKET, 10X1.0	2							

Remarks

(G) THESE PARTS ARE SOLD BY FIG.19,
REF.NO.1,1-1.

Fig.10. COOLING WATER SYSTEM

(A)=3TN84L-RTBZ

(B)=

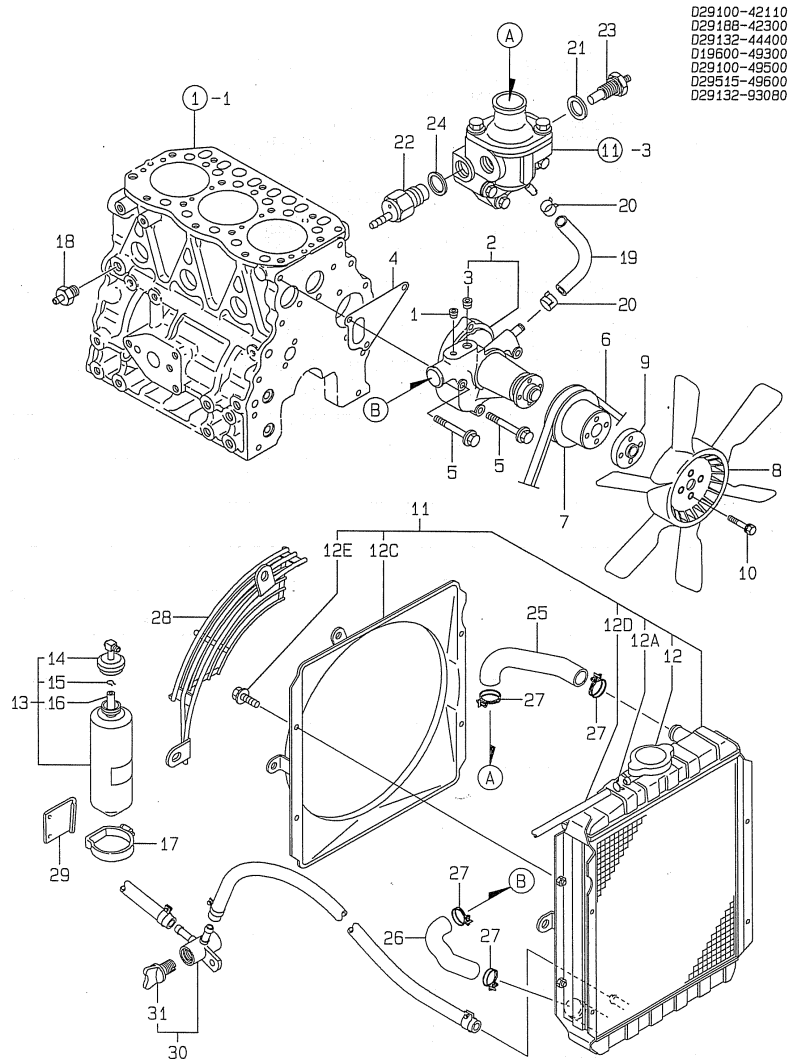
(C)=

(D)=

(E)=

(F)=

Y00D3513
3TN84L-RTBZ



No.	Lev.	Parts No.	Description	Q'ty						I	R
				(A)	(B)	(C)	(D)	(E)	(F)		
1	1	121850-11860	PLUG, PT1/4	1							
2	1	129100-42001	PUMP ASSY, WATER	1							
2-1	1	129100-42002	PUMP ASSY, WATER	1							N
(A=E27736)											
3	2	23871-030000	PLUG, R03	1							
4	1	129100-42020	GASKET, WATER PUMP	1							G
5	1	26106-080602	BOLT, M8X 60 PLATED	3							
6	1	121492-42290	V-BELT, A38	1							
7	1	129403-42380	V-PULLEY, D=110	1							
8	1	121520-44740	FAN, COOLING D325	1							
9	1	124574-44761	SPACER, FAN	1							
10	1	26014-060302	BOLT, M6X 30	4							
11	1	129132-44500	RADIATOR	1							
12	2	124450-44590	CAP, RADIATOR	1							
12-1	2	123682-44210	CAP, RADIATOR	1							N
(A=E34861)											
12A	2	121250-44590	CLAMP	2							W
(A=E34861)											
12C	2	129132-44520	SHROUD	1							W
(A=E34861)											
12D	2	129132-44530	HOSE, RUBBER	1							W
(A=E34861)											
12E	2	26014-080162	BOLT, M8X 16	4							W
(A=E34861)											
13	1	171064-44510	TANK ASSY, SUB	1							
14	2	121450-44531	CAP	1							
15	2	124450-44560	RETAINER	1							
16	2	23065-070225	HOSE 7X 225	1							
17	1	124450-44550	BAND	1							
18	1	121550-49111	JOINT, PT1/4	1							
19	1	129100-49050	PIPE, WATER	1							
20	1	23000-016000	CLAMP, 16	2							
21	1	129150-49360	GASKET	1							G
22	1	121250-44901	SWITCH, 110	1							
23	1	171056-49351	SENSOR	1							
24	1	124465-44950	GASKET, 16	1							G
25	1	119860-49010	PIPE, WATER	1							
26	1	119860-49020	PIPE, WATER	1							
27	1	23010-038000	CLAMP, 38	4							
28	1	129132-44590	NET, WIRE	1							
29	1	121256-44600	BRACKET, SUB TANK	1							
30	1	129150-49100	COCK ASSY, 3-WAY	1							
31	2	129150-49080	COCK, DRAIN	1							

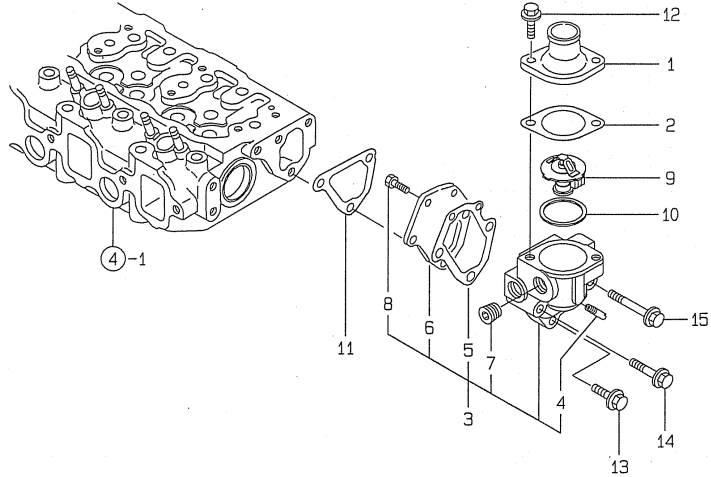
Remarks

(G) THESE PARTS ARE SOLD BY FIG.19,
REF.NO.1,1-1.

Fig.11. THERMOSTAT

Y00D3513
3TN84L-RTBZ

D29100-49210



(A)=3TN84L-RTBZ

(B)=

(C)=

(D)=

(E)=

(F)=

No.	Lev.	Parts No.	Description	Q'ty						I	R
				(A)	(B)	(C)	(D)	(E)	(F)		
1	1	129350-49530	COVER, THERMOSTAT	1							
2	1	129795-49550	GASKET	1							G
2-1	1	129795-49551	GASKET	1							N G
(A=E27736)											
3	1	129100-49800	CASE ASSY,THERMOSTAT	1							
4	2	124770-11770	JOINT, PIPE PT1/8	1							
5	2	129100-49820	GASKET	1							
6	2	129100-49830	COVER, THERMOSTAT	1							
7	2	23871-030000	PLUG, R03	1							
8	2	26116-060162	BOLT, M6X 16 PLATED	2							
9	1	129155-49800	THERMOSTAT, 71	1							
10	1	129150-49810	GASKET, THERMOSTAT	1							G
10-1	1	129150-49811	GASKET, THERMOSTAT	1							N G
(A=E27736)											
11	1	129100-49840	GASKET	1							G
12	1	26106-080202	BOLT, M8X 20 PLATED	2							
13	1	26106-080252	BOLT, M8X 25 PLATED	1							
14	1	26106-080502	BOLT, M8X 50 PLATED	1							
15	1	26106-080602	BOLT, M8X 60 PLATED	1							

Remarks

(G) THESE PARTS ARE SOLD BY FIG.19,
REF.NO.1,1-1.

Fig.12. FUEL INJECTION PUMP

(A)=3TN84L-RTBZ

(B)=

(C)=

(D)=

(E)=

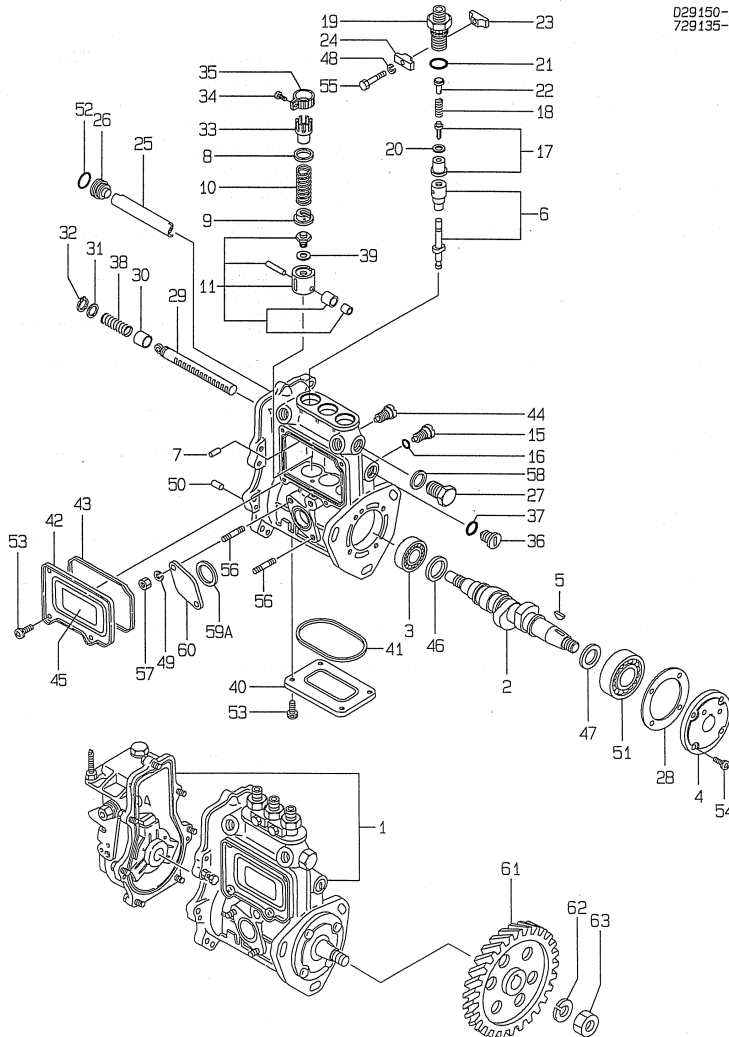
(F)=

Q'ty

I R

Y0003513
3TN84L-RTBZ

029150-25200
729135-51391



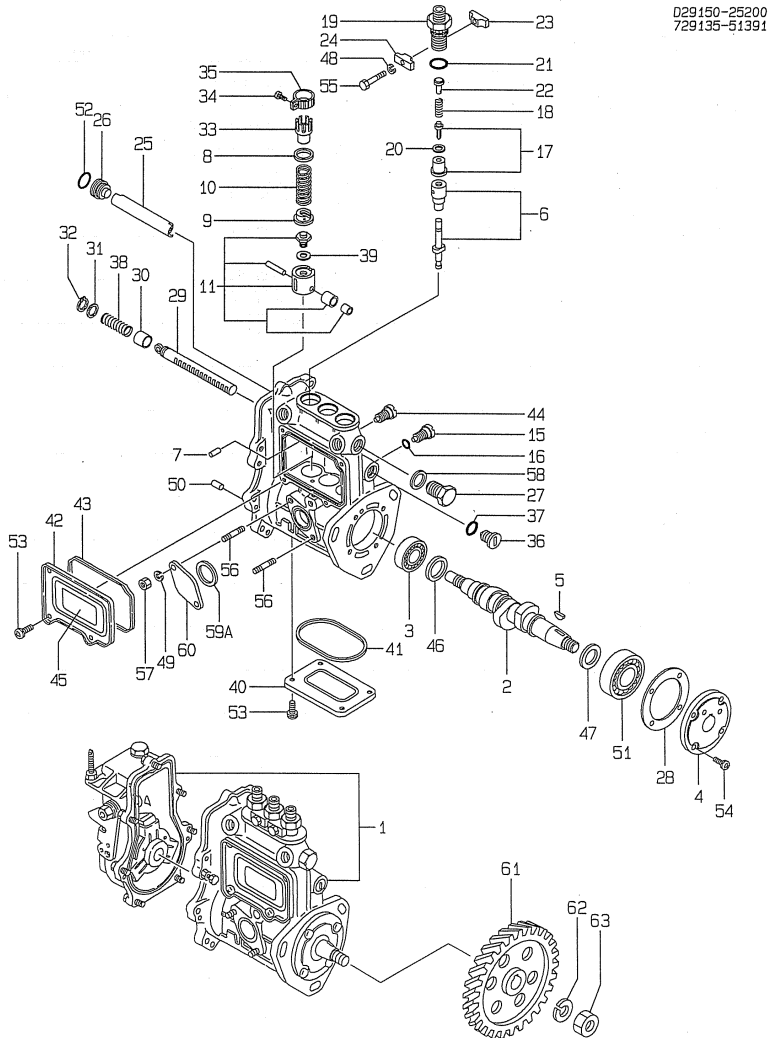
No.	Lev.	Parts No.	Description	Q'ty						I	R
				(A)	(B)	(C)	(D)	(E)	(F)		
1	1	729132-51390	PUMP ASSY, INJECTION	1							1
1-1	1	729135-51391	PUMP ASSY, INJECTION	1							N 1
(A=EXXX)											
2	2	119810-51040	CAMSHAFT	1							
3	2	129155-51050	BEARING, 17BM001D	1							
4	2	129155-51060	SUPPORT, CAMSHAFT	1							
5	2	122710-51090	KEY	1							
6	2	129400-51100	PLUNGER ASSY	3							
7	2	129155-51140	PIN	3							
8	2	174307-51170	RETAINER, SPRING A	3							
9	2	129155-51180	RETAINER, SPRING	3							
10	2	124950-51190	SPRING, PLUNGER	3							
11	2	129155-51200	TAPPET ASSY	3							
15	2	129155-51270	STOPPER, TAPPET	3							
16	2	129155-51280	O-RING, S6	3							
17	2	128170-51300	VALVE ASSY, DELIVERY	3							
18	2	129155-51320	SPRING, DELIVERY	3							
19	2	129155-51340	RETAINER	3							
20	2	124550-51350	GASKET, DELIVERY	3							
21	2	124550-51370	O-RING	3							
22	2	129155-51370	STOPPER, VALVE	3							
23	2	129155-51380	STOPPER	2							
24	2	129155-51390	STOPPER	2							
25	2	129155-51400	DEFLECTOR	1							
26	2	129155-51410	BOLT	1							
27	2	129155-51420	PLUG, M16	1							
28	2	129155-51450	SHIM SET, ADJUSTING	1							
29	2	129155-51500	RACK, CONTROL	1							
30	2	129155-51521	BUSH, RACK	1							
31	2	129155-51530	SPACER	1							
32	2	129155-51540	CIRCLIP	1							
33	2	129155-51550	PINION, CONTROL	3							
34	2	122117-51560	SCREW	3							
35	2	174307-51560	PINION	3							
36	2	129155-51570	PLUG, M12	1							
37	2	129155-51580	O-RING	1							
38	2	129155-51591	SPRING, RACK	1							
39	2	129155-51600	SHIM SET, ADJUSTING	3							
40	2	129155-51700	COVER	1							
41	2	129155-51710	GASKET	1							
42	2	129155-51750	COVER	1							
43	2	129155-51760	GASKET	1							
44	2	129155-51790	STOOPER, RACK	1							
45	2	129156-51910	LABEL, CAUTION	1							
46	2	129155-51930	SPACER, T=3.25	1							
47	2	129155-51940	SPACER, T=1.5	1							
48	2	22217-050000	WASHER, SPRING 5	2							
49	2	22217-060000	WASHER, SPRING 6	2							
50	2	22351-050010	PIN, SPRING 5.0X10	2							
51	2	24101-063034	BEARING, BALL 6303	1							
52	2	24341-000160	O-RING, 1AS16.0	1							

Remarks

(1) GOVERNOR ASSY(FIG NO.15)IS
INCORPORATED IN THIS FUEL
INJECTION PUMP ASSY(REF NO.1).

Fig.12. FUEL INJECTION PUMP

Y0003513
3TN84L-RTBZ



029150-25200
729135-51391

(A)=3TN84L-RTBZ

(B)=

(C)=

(D)=

(E)=

(F)=

No.	Lev.	Parts No.	Description	Q'ty						I	R
				(A)	(B)	(C)	(D)	(E)	(F)		
53	2	26022-050102	SCREW, M5X10	8							
54	2	26022-060162	SCREW, M6X16	4							
55	2	26116-050302	BOLT, M5X 30 PLATED	2							
56	2	129155-51020	STUD	2							
57	2	26716-060002	NUT, M6	2							
58	2	43400-500490	SEAL WASHER 16S	1							
58-1	2	22190-160002	WASHER, SEAL 16	1							N
		(A=E61220)									
59A	2	129155-52050	GASKET	1							
60	2	129100-52200	COVER	1							
61	1	129150-25900	GEAR, PUMP	1							
62	1	22217-120000	WASHER, SPRING 12	1							
63	1	26716-120002	NUT, M12	1							

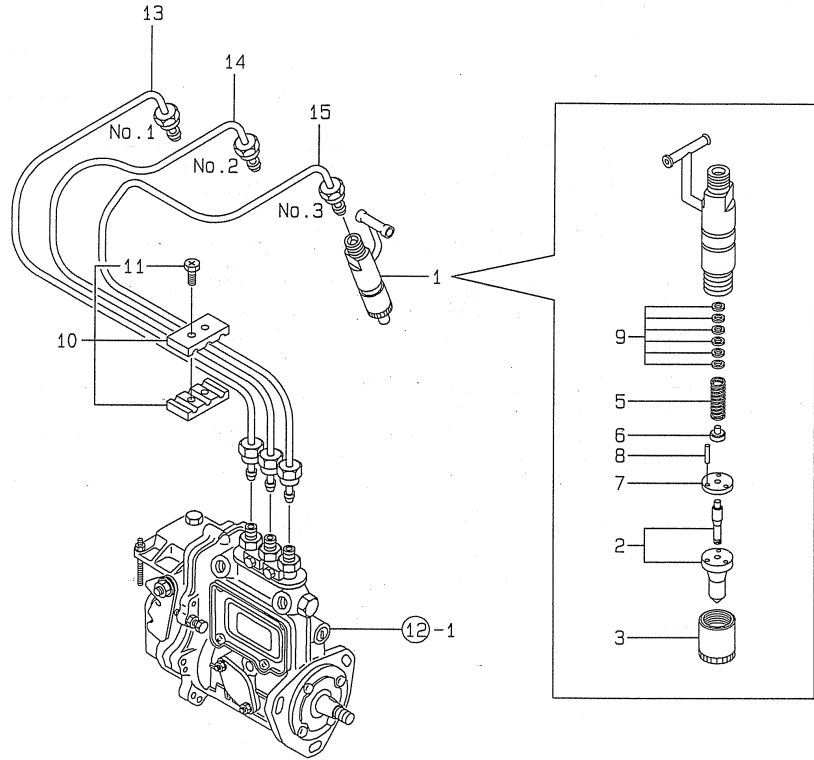
Remarks

(1) GOVERNOR ASSY(FIG NO.15) IS INCORPORATED IN THIS FUEL INJECTION PUMP ASSY(REF NO.1).

Fig.13. FUEL INJECTION PIPES

Y00D3513
3TN84L-RTBZ

D29503-53100
D29100-59110



(A)=3TN84L-RTBZ
(B)=
(C)=

(D)=
(E)=
(F)=

No.	Lev.	Parts No.	Description	Q'ty						I	R
				(A)	(B)	(C)	(D)	(E)	(F)		
1	1	729503-53100	VALVE ASSY,INJECTION	3							
2	2	129503-53000	VALVE ASSY,INJECTION	3							
3	2	114250-53080	NUT, NOZZLE D16.95	3							
5	2	114250-53120	SPRING, NOZZLE	3							
6	2	114250-53130	SEAT, SPRING	3							
7	2	114250-53140	PLATE	3							
8	2	114250-53210	PIN	6							
9	2	114250-53400	SHIM SET	3							
10	1	129150-59120	RETAINER, PIPE	1							
11	2	129150-59130	BOLT, M4X12	2							
11-1	2	129150-59131	BOLT, M4X14	2							N
(A=E62512)											
13	1	129100-59910	PIPE ASSY, INJECTION	1							
14	1	129100-59920	PIPE ASSY, INJECTION	1							
15	1	129100-59930	PIPE ASSY, INJECTION	1							

Fig.14. FUEL OIL PIPES

(A)=3TN84L-RTBZ

(B)=

(C)=

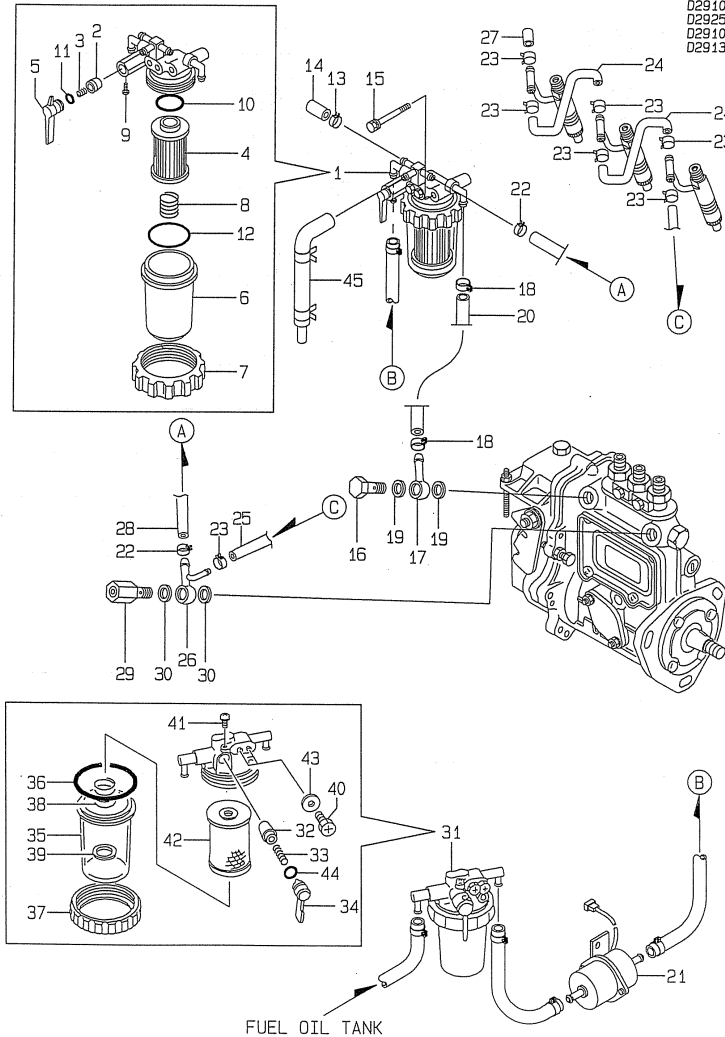
(D)=

(E)=

(F)=

Y00D3513
3TN84L-RTBZ

D29100-55112
D29255-59210
D29100-59302
D29132-93080



No.	Lev.	Parts No.	Description	Q'ty						I	R
				(A)	(B)	(C)	(D)	(E)	(F)		
1	1	129100-55621	FILTER ASSY, FUEL	1							
2	2	104200-55321	VALVE, TAPER	1							
3	2	104200-55330	SPRING, VALVE	1							
4	2	129100-55650	ELEMENT	1							
5	2	129100-55670	LEVER	1							
6	2	129100-55680	CUP, STRAINER	1							
7	2	129100-55690	RING, RETAINING	1							
8	2	129100-55700	SPRING	1							
9	2	104200-55750	SCREW, M4	1							
10	2	24311-000160	O-RING, 1AP16.0	1							
11	2	24311-240100	O-RING, 1AP10A	1							
12	2	24321-000650	O-RING, 1AG65.0	1							G
13	1	124066-59100	CLIP, HOSE 8	1							
14	1	129150-59580	CAP	1							
15	1	26014-080702	BOLT, M8X 70	1							
16	1	103854-39140	BOLT, PIPE JOINT	1							
17	1	101304-59020	JOINT, PIPE 12	1							
18	1	124766-59050	CLIP, HOSE 12	2							
19	1	104200-59170	GASKET, 12	2							
20	1	129555-59510	PIPE, D13/7.5X180	1							
21	1	129322-77401	PUMP ASSY, FUEL FEED	1							
22	1	124766-59050	CLIP, HOSE 12	2							
23	1	124066-59100	CLIP, HOSE 8	7							
24	1	121250-59550	PIPE, FUEL D8X120	2							
25	1	119840-59560	PIPE, FUEL RETURN	1							
26	1	119840-59570	JOINT	1							
27	1	129150-59580	CAP	1							
28	1	129255-59580	PIPE, FUEL	1							
28-1	1	105025-59750	PIPE, FUEL	1							R
(A=E33788)											
28-2	1	129255-59580	PIPE, FUEL	1							R
(A=E62512)											
29	1	129100-59951	VALVE ASSY, CHECK	1							
30	1	23414-120000	GASKET, 12X1.0	2							
31	1	129335-55700	SEPARATOR ASSY, WATER	1							
32	2	104200-55321	VALVE, TAPER	1							
33	2	104200-55330	SPRING, VALVE	1							
34	2	104200-55341	HANDLE	1							
35	2	124064-55510	COVER	1							
36	2	102103-55520	O-RING	1							
37	2	110250-55610	RING, RETAINING	1							
38	2	121257-55720	SPRING	1							
39	2	121257-55731	FLOAT	1							
40	2	101720-55750	PLUG, 6	2							
41	2	104200-55750	SCREW, M4	1							
42	2	171081-55910	SCREEN	1							
43	2	23418-060000	GASKET, 6X1.0	2							
44	2	24311-240100	O-RING, 1AP10A	1							
45	1	119840-59601	BEND	1							

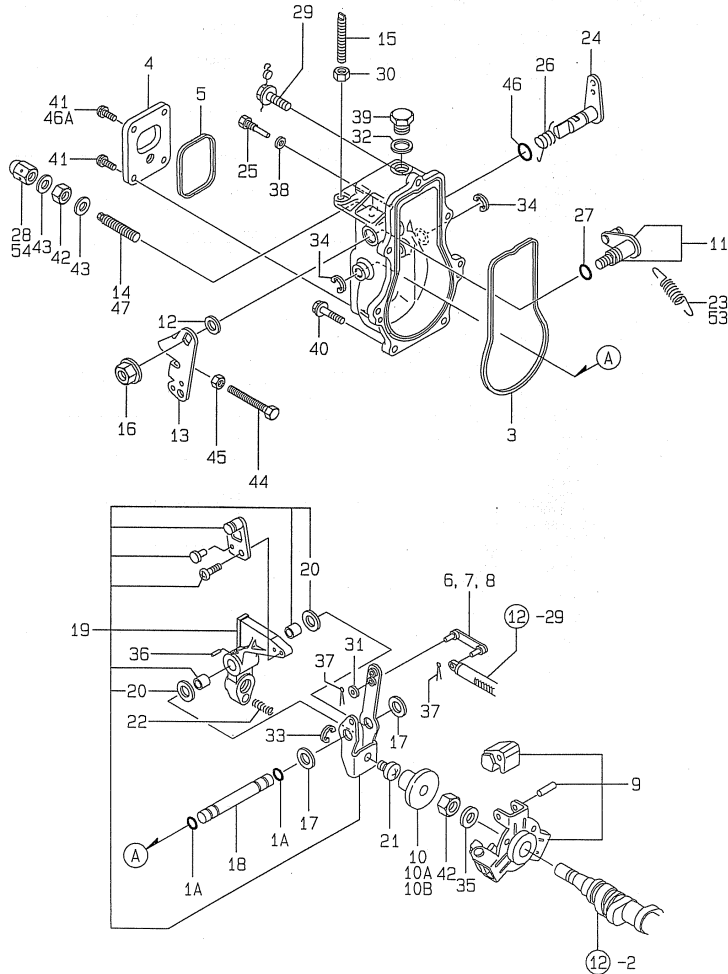
Remarks

(G) THESE PARTS ARE SOLD BY FIG.19,
REF.NO.1,1-1.

Fig.15. GOVERNOR

Y00D3513
3TNB4L-RTBZ

729135-51391



(A)=3TN84L-RTBZ
(B)=
(C)=

(D)=
(E)=
(F)=

No.	Lev.	Parts No.	Description	Q'ty						I	R
				(A)	(B)	(C)	(D)	(E)	(F)		
1A	2	129155-51280	O-RING, S6	2							
3	2	129155-61050	GASKET	1							
4	2	129155-61060	COVER, GOVERNOR CASE	1							
5	2	129155-61070	GASKET	1							
6	2	129155-61120	LINK, L=30 MARK 0	1							1
7	2	129155-61140	LINK, L=30.5 MARK 05	1							1
8	2	129155-61130	LINK, L=31 MARK 1	1							1
9	2	129155-61201	WEIGHT ASSY, GOVERNOR	1							
10	2	129155-61341	SLEEVE	1							
10A	2	129155-61350	SLEEVE, L=24.9	1							W
		(A=EXXX)									
10B	2	129155-61360	SLEEVE, L=25.2	1							W
		(A=EXXX)									
11	2	129100-61400	SHAFT ASSY	1							
12	2	129155-61430	SPACER	1							
13	2	129100-61440	LEVER, CONTROL	1							
14	2	129100-61450	LIMITER ASSY, FUEL	1							Z
		(A=EXXX)									
15	2	129155-61450	BOLT, LIMITER	1							
16	2	26366-080002	NUT, M8	1							
17	2	129155-61480	SPACER ASSY	2							
18	2	129155-61490	SHAFT	1							
19	2	129500-61500	LEVER ASSY, GOVERNOR	1							
19-1	2	129500-61501	LEVER ASSY, GOVERNOR	1							N
		(A=E46122)									
20	3	174307-51700	SHIM SET	2							
21	2	129155-61540	SHIFTER	1							
22	2	129100-61650	SPRING, CONTROLLER	1							
23	2	171353-61710	SPRING, GOVERNOR	1							Z
		(A=EXXX)									
24	2	129255-61802	LEVER, STOP	1							
25	2	129155-61810	PIN	1							
26	2	129100-61821	SPRING, RETURN	1							
27	2	129155-61830	O-RING, S10	1							
28	2	26687-120002	NUT, CAP M12	1							Z
		(A=EXXX)									
29	2	129155-61950	BOLT	1							
30	2	124550-66370	NUT, M6	1							
31	2	22117-040000	WASHER, 4	1							
32	2	43400-500430	SEAL WASHER 10S	1							
32-1	2	22190-100002	WASHER, SEAL 10	1							N
		(A=E61220)									
33	2	22272-000040	RING, E- 4	1							
34	2	22272-000060	RING, E- 6	2							
35	2	22287-120000	WASHER, 12	1							
36	2	22351-030016	PIN, SPRING 3.0X16	1							
37	2	22360-040000	PIN, SNAP 4	2							
37-1	2	22372-040000	PIN, SNAP 4	2							N
		(A=E35864)									
38	2	43400-500390	SEAL WASHER 6S	1							
38-1	2	22190-060002	WASHER, SEAL 6	1							N

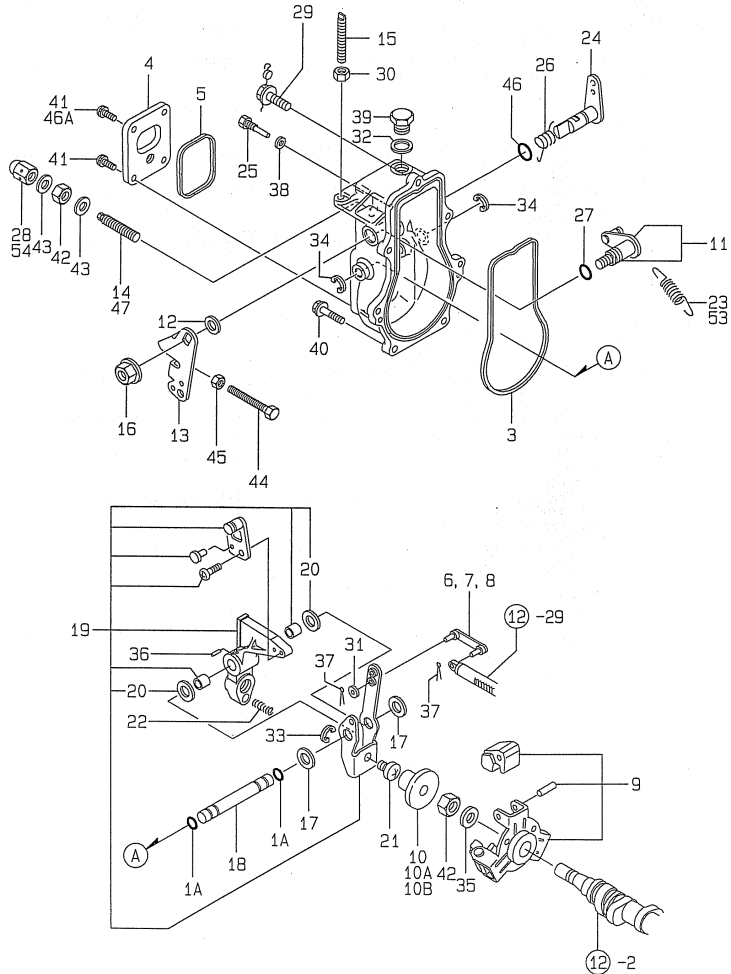
Remarks

(1) SELECTIVE PARTS. CERTAIN THE CLASSIFICATION MARK, THEN PLACE YOUR ORDER.(ILLUSTRATION)

Fig.15. GOVERNOR

Y00D3513
3TNB4L-RTBZ

729135-51391



(A)=3TN84L-RTBZ
(B)=
(C)=

(D)=
(E)=
(F)=

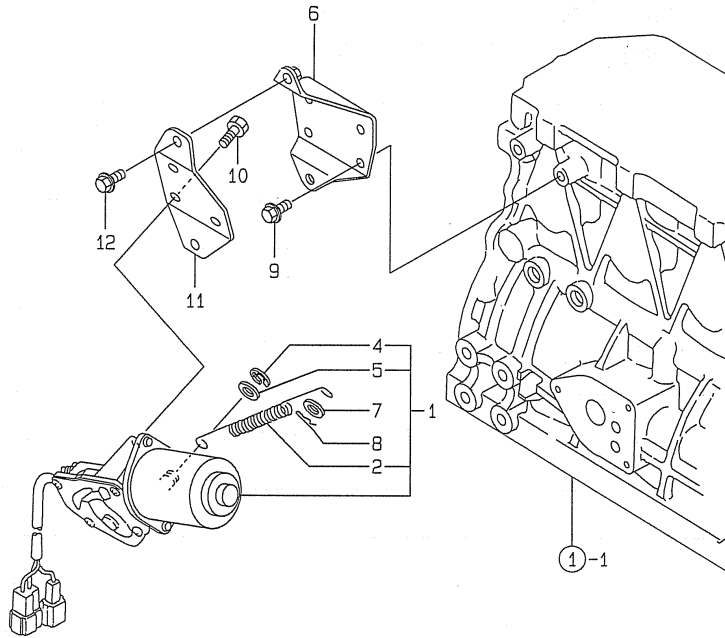
No.	Lev.	Parts No.	Description	Q'ty						I	R
				(A)	(B)	(C)	(D)	(E)	(F)		
(A=E61220)											
39	2	23887-100002	PLUG, 10	1							
40	2	26106-060202	BOLT, M6X 20 PLATED	6							
41	2	26022-050102	SCREW, M5X10	4							
41-1	2	26022-050102	SCREW, M5X10	2							K
(A=E46122)											
42	2	26776-120002	NUT, LOCK M12	2							
43	2	43400-500450	SEAL WASHER 12S	2							
43-1	2	22190-120002	WASHER, SEAL 12	2							N
(A=E61220)											
44	2	129155-61460	BOLT, IDLE	1							
45	2	26756-060002	NUT, LOCK M6	1							
46	2	24311-240100	O-RING, 1AP10A	1							
46A	2	26023-050102	SCREW, M5X10	2							W
(A=E46122)											
47	1	129100-61450	LIMITER ASSY, FUEL	1							W
(A=E61220)											
53	1	171353-61710	SPRING, GOVERNOR	1							W
(A=E61220)											
54	1	26687-120002	NUT, CAP M12	1							W

Remarks
(1) SELECTIVE PARTS. CERTAIN THE CLASSIFICATION MARK, THEN PLACE YOUR ORDER.(ILLUSTRATION)

Fig.16. ENGINE STOP DEVICE

Y00D3513
3TN84L-RTBZ

D29137-66500



(A)=3TN84L-RTBZ
(B)=
(C)=

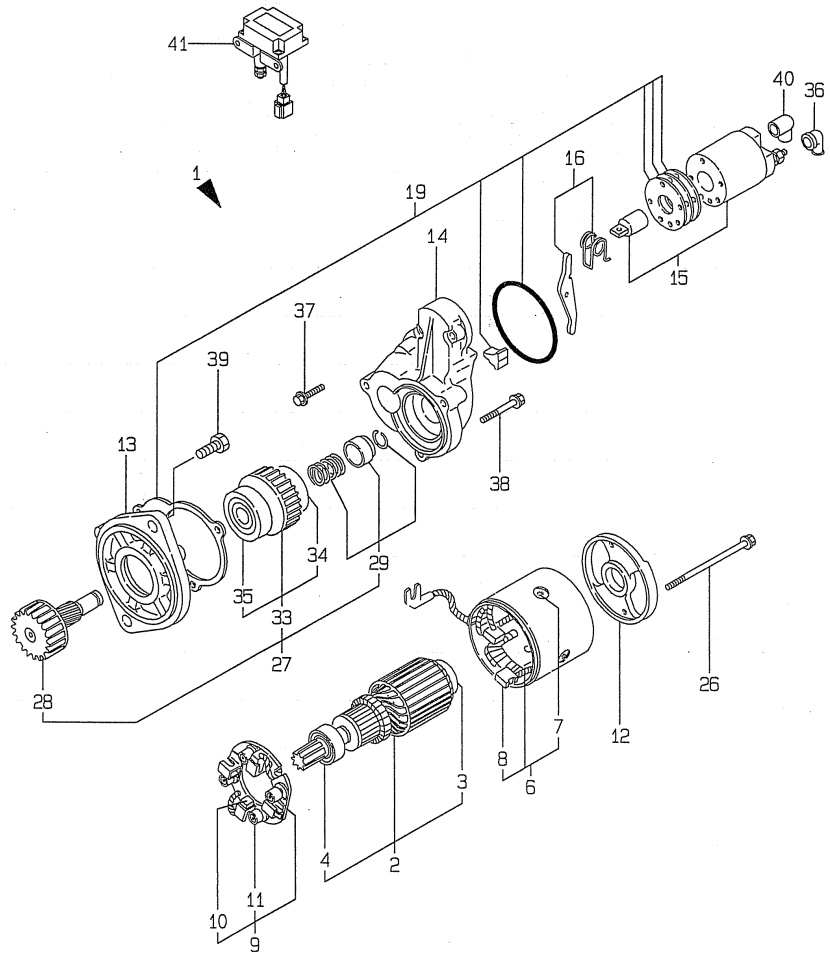
(D)=
(E)=
(F)=

No.	Lev.	Parts No.	Description	Q'ty						I	R
				(A)	(B)	(C)	(D)	(E)	(F)		
1	1	129136-66800	MOTOR ASSY, STOP	1							
2	2	129107-66830	SPRING, STOP MOTOR	1							
4	2	129566-66880	RING, SNAP	1							
5	2	129566-66890	WASHER	1							
6	1	129107-66810	BRACKET, STOP MOTOR	1							
7	1	22117-080000	WASHER, 8	1							
8	1	22360-080000	SNAP PIN 8	1							
9	1	26106-080122	BOLT, M8X 12 PLATED	2							
10	1	26116-050102	BOLT, M5X 10 PLATED	3							
11	1	129107-66820	BRACKET, STOP MOTOR	1							
12	1	26106-080122	BOLT, M8X 12 PLATED	2							

Fig.17. STARTING MOTOR

Y00D3513
3TN84L-RTBZ

D29100-77100
D29132-93080



(A)=3TN84L-RTBZ

(B)=

(C)=

(D)=

(E)=

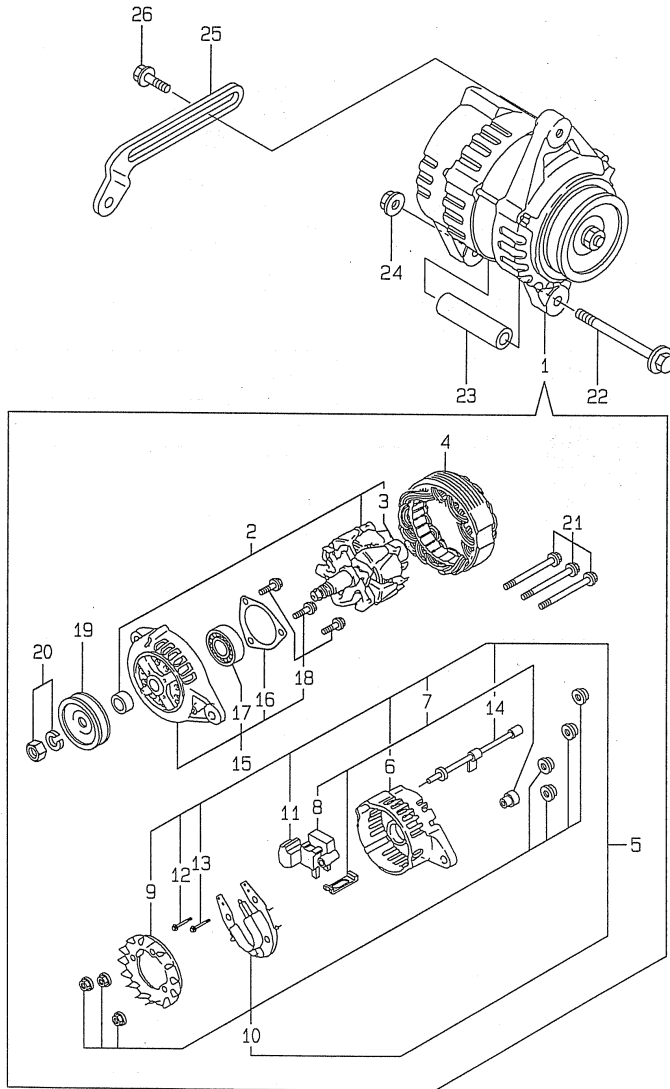
(F)=

No.	Lev.	Parts No.	Description	Q'ty						I	R
				(A)	(B)	(C)	(D)	(E)	(F)		
1	1	171008-77010	STARTER, S114-483	1							
2	2	171008-77400	ARMATURE ASSY	1							
3	3	171008-77410	BEARING	1							
4	3	171008-77420	BEARING	1							
6	2	171008-77440	COIL ASSY, FIELD	1							
7	3	171008-77450	SCREW	4							
8	3	171008-77460	BRUSH (+)	2							
9	2	171008-77470	HOLDER ASSY, BRUSH	1							
10	3	171008-77480	BRUSH (-)	2							
11	3	171008-77490	SPRING, BRUSH	4							
12	2	171008-77500	COVER, REAR	1							
13	2	171008-77510	CASE, GEAR	1							
14	2	171008-77520	HOUSING, CENTER	1							
15	2	171008-77530	SWITCH, MAGNETIC	1							
16	2	171008-77540	LEVER SET	1							
19	2	171008-77570	COVER KIT, DUST	1							
19-1	2	171008-77571	COVER KIT, DUST	1							N
(A=E32371)											
26	2	171008-77640	BOLT, THROUGH	2							
27	2	171008-77650	PINION ASSY	1							
28	3	171008-77660	SHAFT	1							
29	3	171008-77670	STOPPER SET	1							
33	3	171008-77720	CLUTCH ASSY	1							
34	4	171008-77730	BEARING, BALL	1							
35	4	171008-77740	BEARING	1							
36	2	171008-77750	COVER	1							
37	2	26106-060322	BOLT, M6X 32 PLATED	2							
38	2	26106-060402	BOLT, M6X 40 PLATED	3							
39	1	26116-120252	BOLT, M12X 25 PLATED	2							
40	1	124550-77030	COVER, TERMINAL	1							
41	1	129136-77100	RELAY, SAFETY	1							W
(A=E33788)											

Fig.18. GENERATOR

Y00D3513
3TN84L-RTBZ

D19836-77200
D29410-77300



(A)=3TN84L-RTBZ
(B)=
(C)=

(D)=
(E)=
(F)=

No.	Lev.	Parts No.	Description	Q'ty						I	R
				(A)	(B)	(C)	(D)	(E)	(F)		
1	1	119836-77200	GENERATOR	1							
2	2	119836-77700	ROTOR ASSY	1							
3	3	119836-77850	BALL BEARING	1							
4	2	119836-77710	STATOR ASSY	1							
5	2	119836-77721	COVER ASSY, REAR	1							
6	3	119836-77730	COVER, REAR	1							
7	3	119836-77741	BRUSH ASSY,REGULATOR	1							
8	4	119836-77750	BRUSH ASSY	1							
9	3	119836-77760	GUIDE, FAN SIDE	1							
10	3	119836-77770	DIODE ASSY	1							
11	3	119836-77780	CONDENSER	1							
12	3	119836-77871	BOLT (1)	1							
13	3	119836-77880	BOLT (2)	1							
14	3	119836-77890	WIRE ASSY, LEAD	1							
15	2	119836-77790	COVER ASSY, FRONT	1							
16	3	119836-77800	RETAINER, BEARING	1							
17	3	119836-77840	BALL BEARING	1							
18	3	119836-77860	SCREW KID	1							
19	2	119836-77810	PULLEY	1							
20	2	119836-77820	NUT ASSY, PULLEY	1							
21	2	119836-77830	BOLT, THROUGH	1							
22	1	129136-77250	BOLT M 8X105	1							
23	1	119820-77340	PIECE, DISTANCE	1							
24	1	26366-080002	NUT, M8	1							
25	1	129410-77330	ADJUSTER	1							
26	1	26014-080252	BOLT, M8X 25	1							

Fig.19. GASKET SET & TOOLS

(A)=3TN84L-RTBZ

(B)=

(C)=

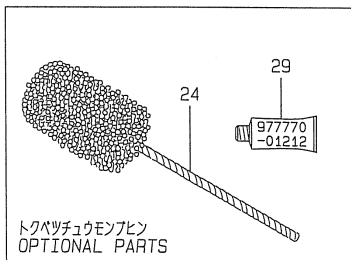
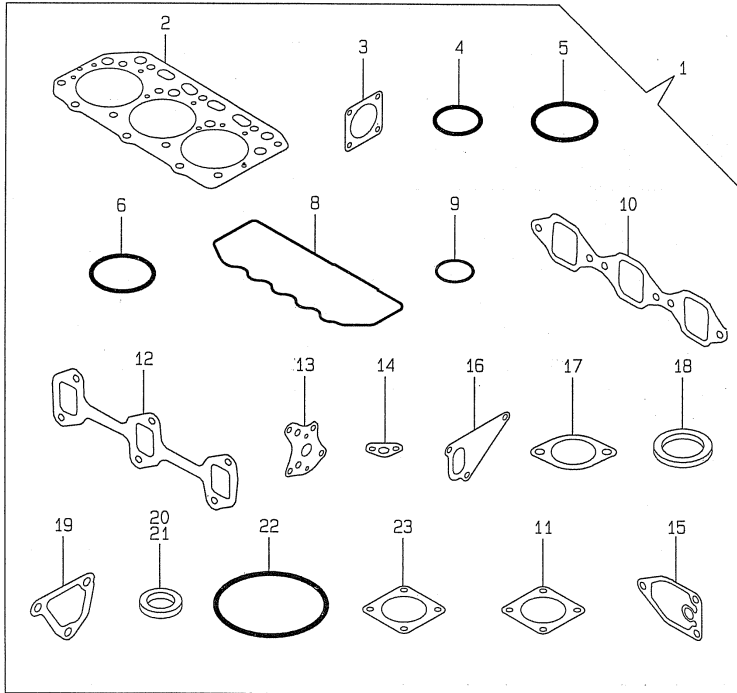
(D)=

(E)=

(F)=

Y00D3513
3TN84L-RTBZ

D29132-93080



No.	Lev.	Parts No.	Description	Q'ty						I	R
				(A)	(B)	(C)	(D)	(E)	(F)		
1	1	729131-92601	GASKET SET	1							1
1-1	1	729131-92602	GASKET SET	1							N 1
(A=E27736)											
2	2	129157-01332	GASKET, HEAD	1							
3	2	124240-01883	GASKET	1							
4	2	121850-51960	O-RING	1							
5	2	24311-000320	O-RING, 1AP32.0	1							
6	2	24341-000500	O-RING, 1AS50.0	1							
8	2	129150-11310	GASKET, BONNET	1							
9	2	24311-000120	O-RING, 1AP12.0	3							
10	2	129150-12110	GASKET, MANIFOLD	1							
10-1	2	129150-12111	GASKET, MANIFOLD	1							N
(A=E27736)											
11	2	124701-11910	GASKET, SILENCER	2							
11-1	2	124701-11911	GASKET, SILENCER	2							N
(A=E27736)											
12	2	129150-13110	GASKET	1							
13	2	129150-32020	GASKET, PUMP	1							
14	2	129150-35040	GASKET	1							
14-1	2	129150-35041	GASKET	1							N
(A=E27736)											
15	2	129150-35110	GASKET	1							
15-1	2	129150-35111	GASKET	1							N
(A=E27736)											
16	2	129100-42020	GASKET, WATER PUMP	1							
17	2	129795-49550	GASKET	1							
17-1	2	129795-49551	GASKET	1							N
(A=E27736)											
18	2	129150-49810	GASKET, THERMOSTAT	1							
18-1	2	129150-49811	GASKET, THERMOSTAT	1							N
(A=E27736)											
19	2	129100-49840	GASKET	1							
20	2	124465-44950	GASKET, 16	1							
21	2	129150-49360	GASKET	1							
22	2	24321-000650	O-RING, 1AG65.0	1							
23	2	129150-77510	GASKET	1							
23-1	2	129150-77511	GASKET	1							N
(A=E27736)											
24	1	129400-92420	HONE	1							1
25	1	104200-92350	DRIVER, SCREW	1							
26	1	171301-92750	WRENCH, L.O. FILTER	1							
27	1	28110-100120	SPANNER, 10X12	1							
28	1	28110-140170	SPANNER, 14X17	1							
29	1	977770-01212	GASKET, LIQUID	1							W 1
(A=E27736)											

Remarks
(1) OPTIONAL PART.

Parts No. Index

Parts No.	Fig. No.	Ref. No.
101304-59020	14	17
101720-55750	14	40
102103-55520	14	36
103338-11190	4	12
103854-39140	14	16
104200-55321	14	2
		32
104200-55330	14	3
		33
104200-55341	14	34
104200-55750	14	9
		41
104200-59170	14	19
104200-92350	19	25
105025-59750	14	28 -1
110250-55610	14	37
114250-53080	13	3
114250-53120	13	5
114250-53130	13	6
114250-53140	13	7
114250-53210	13	8
114250-53400	13	9
119620-01750	3	3
119625-11870	4	27
119625-11880	4	28
119625-11900	4	29
119640-01640	3	13 -1
119640-12580	5	11
119810-51040	12	2
119820-77340	18	23
119836-77200	18	1
119836-77700	18	2
119836-77710	18	4
119836-77721	18	5
119836-77730	18	6
119836-77741	18	7
119836-77750	18	8
119836-77760	18	9
119836-77770	18	10
119836-77780	18	11
119836-77790	18	15
119836-77800	18	16
119836-77810	18	19
119836-77820	18	20
119836-77830	18	21
119836-77840	18	17
119836-77850	18	3
119836-77860	18	18
119836-77871	18	12
119836-77880	18	13

Parts No.	Fig. No.	Ref. No.
119836-77890	18	14
119840-12210	5	1
119840-59560	14	25
119840-59570	14	26
119840-59601	14	45
119860-49010	10	25
119860-49020	10	26
119865-21600	8	11
119865-35300	9	12
120130-11860	4	32
121023-01550	2	22
121100-22400	8	15
121111-21501	8	9
121120-12531	5	3
121120-12541	5	4
121120-12561	5	5
121120-12571	5	6
121120-12901	5	7
121120-13580	6	14
		14 A
121120-13590	6	14 -1
121250-44590	10	12 A
121250-44901	10	22
121250-59550	14	24
121256-44600	10	29
121257-55720	14	38
121257-55731	14	39
121262-12800	5	8
121400-11340	4	13
121450-01560	2	3
121450-44531	10	14
121492-42290	10	6
121520-34810	9	4
121520-44740	10	8
121550-23200	8	19
121550-49111	10	18
121850-11860	4	3
	10	1
121850-21680	8	8
121850-51960	2	9
	19	4
122117-51560	12	34
122710-51090	12	5
123682-44210	10	12 -1
124064-55510	14	35
124066-59100	14	13
		23
124160-01751	2	4
	4	49
124160-01910	1	2

Parts No.	Fig. No.	Ref. No.
124160-11360	4	47
124160-39140	9	16
124160-39450	9	17
124240-01871	2	6
124240-01883	2	7
	19	3
124450-44550	10	17
124450-44560	10	15
124450-44590	10	12
124460-11340	4	14
124465-44950	10	24
	19	20
124550-51350	12	20
124550-51370	12	21
124550-59820	9	19
124550-66370	15	30
124550-77030	17	40
124574-44761	10	9
124701-11910	6	7
	19	11
124701-11911	6	7 -1
	19	11 -1
124736-07900	4	36
124766-59050	14	18
		22
124770-11770	11	4
124950-51190	12	10
128170-51300	12	17
129001-32001	9	1 -1
129001-35300	9	12 -1
129100-01580	3	1
		6
	8	4
129100-01640	3	7
129100-01730	3	16
129100-01790	3	15
129100-11100	4	8
129100-11110	4	9
129100-11350	4	38 -1
129100-23910	8	21
129100-25061	7	6
129100-42001	10	2
129100-42002	10	2 -1
129100-42020	10	4
	19	16
129100-49050	10	19
129100-49800	11	3
129100-49820	11	5
129100-49830	11	6
129100-49840	11	11

Parts No.	Fig. No.	Ref. No.
129100-49840	19	19
129100-52200	12	60
129100-55621	14	1
129100-55650	14	4
129100-55670	14	5
129100-55680	14	6
129100-55690	14	7
129100-55700	14	8
129100-59910	13	13
129100-59920	13	14
129100-59930	13	15
129100-59951	14	29
129100-61400	15	11
129100-61440	15	13
129100-61450	15	14
		47
129100-61650	15	22
129100-61821	15	26
129105-22080	8	12
129105-22500	8	13
129107-66810	16	6
129107-66820	16	11
129107-66830	16	2
129111-13670	6	16
129111-13680	6	17
129120-77501	5	18
129122-12100	5	15
129128-21590	8	10
129129-14580	7	1
129130-13650	6	9
129130-13660	6	15
129132-12210	5	21
129132-12220	5	21 -1
129132-12520	5	2
129132-12561	5	10
129132-12581	5	9
129132-12800	5	27
129132-12810	5	23
129132-12860	5	29
129132-12890	5	25
129132-12900	5	26
129132-13160	6	12
129132-13170	6	13
129132-13500	6	8
129132-44500	10	11
129132-44520	10	12 C
129132-44530	10	12 D
129132-44590	10	28
129136-66800	16	1
129136-77100	17	41

Parts No. Index

Parts No.	Fig. No.	Ref. No.
129136-77250	18	22
129150-01200	1	14
129150-02020	1	8
129150-02450	1	12
	7	1 B
129150-02800	1	9
129150-02870	1	16
129150-02930	1	10
129150-02940	1	17
129150-03020	4	42
129150-03070	4	44
129150-03080	4	43
129150-03100	2	25
	4	34
129150-11230	4	25
129150-11280	4	20
129150-11290	4	21
129150-11310	4	41
	19	8
129150-11370	4	15
129150-11750	4	24
129150-11810	4	33
129150-12110	5	16
	19	10
129150-12111	5	16 -1
	19	10 -1
129150-13110	6	2
	19	12
129150-14101	7	2
129150-14200	7	3
129150-14400	7	4
129150-21200	8	2
129150-22300	8	14
129150-23600	8	20
129150-23610	8	22
129150-25101	7	7
129150-25900	12	61
129150-25920	7	8 A
129150-32000	9	1
129150-32020	9	2
	19	13
129150-35040	9	6
	19	14
129150-35041	9	6 -1
	19	14 -1
129150-35091	9	7
129150-35101	9	9
129150-35110	9	10
	19	15
129150-35111	9	10 -1

Parts No.	Fig. No.	Ref. No.
129150-35111	19	15 -1
129150-35150	9	11
129150-35350	9	13
129150-39450	9	18
129150-49080	10	31
129150-49100	10	30
129150-49360	10	21
	19	21
129150-49810	11	10
	19	18
129150-49811	11	10 -1
	19	18 -1
	13	10
129150-59120	13	10
129150-59130	13	11
129150-59131	13	11 -1
129150-59580	14	14
		27
129150-77510	5	19
	19	23
129150-77511	5	19 -1
	19	23 -1
	4	17
129155-11241	4	17
129155-11260	4	18
129155-11270	4	19
129155-49800	11	9
129155-51020	12	56
129155-51050	12	3
129155-51060	12	4
129155-51140	12	7
129155-51180	12	9
129155-51200	12	11
129155-51270	12	15
129155-51280	12	16
	15	1 A
129155-51320	12	18
129155-51340	12	19
129155-51370	12	22
129155-51380	12	23
129155-51390	12	24
129155-51400	12	25
129155-51410	12	26
129155-51420	12	27
129155-51450	12	28
129155-51500	12	29
129155-51521	12	30
129155-51530	12	31
129155-51540	12	32
129155-51550	12	33
129155-51570	12	36
129155-51580	12	37

Parts No.	Fig. No.	Ref. No.
129155-51591	12	38
129155-51600	12	39
129155-51700	12	40
129155-51710	12	41
129155-51750	12	42
129155-51760	12	43
129155-51790	12	44
129155-51930	12	46
129155-51940	12	47
129155-52050	12	59 A
129155-61050	15	3
129155-61060	15	4
129155-61070	15	5
129155-61120	15	6
129155-61130	15	8
129155-61140	15	7
129155-61201	15	9
129155-61341	15	10
129155-61350	15	10 A
129155-61360	15	10 B
129155-61430	15	12
129155-61450	15	15
129155-61460	15	44
129155-61480	15	17
129155-61490	15	18
129155-61540	15	21
129155-61810	15	25
129155-61830	15	27
129155-61950	15	29
129156-51910	12	45
129157-01332	1	15
	19	2
129157-01333	1	15 -1
129255-59580	14	28
		28 -2
129255-61802	15	24
129322-77401	14	21
129335-55700	14	31
129350-49530	11	1
129400-01520	2	2
129400-01590	2	1
129400-51100	12	6
129400-92420	19	24
129403-42380	10	7
129410-77330	18	25
129500-61500	15	19
129500-61501	15	19 -1
129503-53000	13	2
129555-59510	14	20
129566-66880	16	4

Parts No.	Fig. No.	Ref. No.
129566-66890	16	5
129795-01780	3	9
129795-01800	2	1 B
		5
129795-01950	2	8
129795-02411	1	11
129795-11120	4	10
129795-11180	4	11
129795-21661	8	7
129795-49550	11	2
	19	17
129795-49551	11	2 -1
	19	17 -1
171008-77010	17	1
171008-77400	17	2
171008-77410	17	3
171008-77420	17	4
171008-77440	17	6
171008-77450	17	7
171008-77460	17	8
171008-77470	17	9
171008-77480	17	10
171008-77490	17	11
171008-77500	17	12
171008-77510	17	13
171008-77520	17	14
171008-77530	17	15
171008-77540	17	16
171008-77570	17	19
171008-77571	17	19 -1
171008-77640	17	26
171008-77650	17	27
171008-77660	17	28
171008-77670	17	29
171008-77720	17	33
171008-77730	17	34
171008-77740	17	35
171008-77750	17	36
171051-01921	1	3
171056-49351	10	23
171064-44510	10	13
171081-55910	14	42
171301-01600	3	2
171301-01640	3	13
171301-92750	19	26
171340-21650	8	6
171350-13100	6	1
171353-61710	15	23
		53
171420-34800	9	5

Parts No. Index

Parts No.	Fig. No.	Ref. No.
174307-51170	12	8
174307-51560	12	35
174307-51700	15	20
194990-22050	6	3
22117-040000	15	31
22117-080000	16	7
22137-100000	6	14 B
22190-060002	15	38 -1
22190-080002	2	20 -1
		21 -1
22190-100002	15	32 -1
22190-120002	15	43 -1
22190-160002	12	58 -1
22190-220002	3	14 -1
22217-050000	12	48
22217-060000	12	49
22217-100000	6	14 C
22217-120000	12	62
22272-000040	15	33
22272-000060	15	34
22287-120000	15	35
22351-030016	15	36
22351-040010	8	5
22351-050010	12	50
22351-060012	4	16
22360-040000	15	37
22360-080000	16	8
22372-040000	15	37 -1
22512-070140	7	1 C
		5
		8
		3
23000-016000	10	20
23000-060000	5	12
		22
23010-038000	10	27
23065-070225	10	16
23065-160800	4	35
23414-080000	9	20
23414-100000	9	21
23414-120000	14	30
23418-060000	14	43
23871-010000	1	4
23871-030000	4	4
		10
		3
		11
		7
23887-100002	15	39
24101-063034	12	51
24311-000120	4	48
		19
		9
24311-000160	2	10

Parts No.	Fig. No.	Ref. No.
24311-000160	9	14
	14	10
24311-000320	2	11
	4	50
	19	5
24311-240100	14	11
		44
	15	46
24321-000650	14	12
	19	22
24341-000160	12	52
24341-000240	2	23
	3	14
24341-000500	4	45
	19	6
26014-060302	10	10
26014-080162	10	12 E
26014-080252	18	26
26014-080702	14	15
26022-050102	12	53
	15	41
		41 -1
26022-060162	12	54
26023-050102	15	46 A
26106-060122	2	24
26106-060142	5	30
26106-060202	15	40
26106-060322	17	37
26106-060402	17	38
26106-080122	2	12
	16	9
		12
26106-080142	4	37
	5	13
26106-080162	1	13
	2	13
		14
	3	18
	4	46
	7	10
26106-080202	2	15
	9	15
	11	12
26106-080252	3	17
	4	30
	5	14
		17
	11	13
26106-080302	3	10
26106-080352	3	11

Parts No.	Fig. No.	Ref. No.
26106-080352	5	20
	9	8
26106-080452	2	16
	3	19
		19 -1
		19 -2
	7	9
26106-080502	3	20
		21
	4	31
	11	14
26106-080552	2	17
26106-080602	10	5
	11	15
26106-080802	6	4
26106-080852	2	18
26106-100652	6	11
		14 D
26116-050102	16	10
26116-050302	12	55
26116-060162	11	8
26116-120252	17	39
26206-100252	3	4
26206-100302	3	5
26216-060202	4	5
26216-080222	6	5
26216-080802	6	6
26226-080182	4	26
26366-060002	4	2
26366-080002	2	19
	15	16
	18	24
26450-060252	9	3
26687-120002	15	28
		54
26706-100002	6	10
		14 E
26716-060002	12	57
26716-120002	12	63
26756-060002	15	45
26776-120002	15	42
27231-500000	1	5
27241-120000	1	6
27241-220000	4	6
27241-300000	1	7
27241-400000	4	7
28110-100120	19	27
28110-140170	19	28
43400-500390	15	38
43400-500410	2	20

Parts No.	Fig. No.	Ref. No.
43400-500410	2	21
43400-500430	15	32
43400-500450	15	43
43400-500490	12	58
719810-01500	2	1 -1
729102-01540	3	12
729102-11700	4	1
729102-21700	8	1
729105-22900	8	16
729131-92601	19	1
729131-92602	19	1 -1
729132-11520	4	38
729132-51390	12	1
729135-51391	12	1 -1
729157-01560	1	1
729157-22951	8	17
729402-11650	4	23
729402-23100	8	18
729503-53100	13	1
977770-01212	19	29