

0CD10-M34802EN

PREFACE

1. This Parts Catalog is the 1st edition of 3TN84L-RYB Diesel Engine for KOBELCO.

Pub. No. : 000Y00D3482

Published : June, 1992

2. Model name

Engine model	Vehicle		Vehicle made by
	Products	Model name	
3TN84L-RYB	EXCAVATOR	—	KOBELCO

Directions for the Parts Catalog.

1. The parts stipulated in this Parts Catalog are not necessarily standard equipped parts.
2. Parts may change without prior notice.
3. The following is an example of the Parts Catalog format.

REF.	LEV.	PARTS NO.	DESCRIPTION	Q'TY						I	R
				(A)	(B)	(C)	(D)	(E)	(F)		
1	1	729595-51390	FUEL INJECTION PUMP	1	1	1	1	1			1
1-1	1	729595-51391	FUEL INJECTION PUMP	1	1	1	1	1		N	1
		(A=E00185) (B=E00200)									
3	2	26022-060162	SCREW M 6X 16	9	9	9	9	9			
3-1	2	26022-060162	SCREW M 6X 16	4	4	4	4	4		K	
		(A=E00156) (B=E00156) (C=E00156) (D=E00156) (E=E00156)									
4	2	129470-51040	CAMSHAFT	1	1	1	1	1			
5	2	122710-51050	BEARING, ROLLER	2	2	2	2	2			
6	2	129470-51060	RETAINER	1	1	1	1	1			

Remarks
(1) BOOST COMPEMSATOR TYPE. OPTIONAL PART, TO E00155,(4JH-DT, 4JH-DTZ

① Ref. No.

The Ref. No. listed may not be in accordance with the illustration Ref. No.

(Ex.) Illustration No.

List Ref No.

1

1

(Before change)

1-1

(After change)

For interchangeable symbols N, R and K, illustrations for new parts may be abbreviated.

② Lev. (Level)

Level indication

The numbers below indicate the level of relativity towards the main part.

1 ----- Main parts (Assembly parts)

2 ----- Sub component included in " 1 ".

3 ----- Sub component included in " 2 ".

Note) Parts that are not for sale are partially illustrated but not listed.

③ Interchangeability Mark

When a part change takes place, one of the following interchangeability symbols is indicated beside the part.

Symbol	Interchangeability	Contents note
N	Old $\begin{matrix} \leftarrow \text{Yes} \\ \text{No} \rightarrow \end{matrix}$ New	New Part is interchangeable for Old Part but Old Part is not interchangeable for New Part.
Q	Old $\begin{matrix} \leftarrow \text{No} \\ \text{Yes} \rightarrow \end{matrix}$ New	New Part is not interchangeable for Old Part but Old Part is interchangeable for New Part.
R	Old $\begin{matrix} \leftarrow \text{Yes} \\ \text{Yes} \rightarrow \end{matrix}$ New	New/ Old Parts are both interchangeable.
S	Old $\begin{matrix} \leftarrow \text{No} \\ \text{No} \rightarrow \end{matrix}$ New	New/ Old Parts are both not interchangeable.
W		Part newly added.
Z		Part discontinued.
F		Not interchangeable by a single part but interchangeable together with related parts.
K		Changes only for used parts quantities.

④ Effective Machine No.

When a part changes, the effective Machine No. will be indicated in the (A)-(F) column.

Product Symbol	Product No.	Product Symbol	Product No.
C	Clutch No. Compressor No.	F	Machine No. (Agricultural Equip.)
D	Drive No.	M	Machine No.
E	Engine No.		

Note 1) A date may follow the symbol. (Ex.) 1996.01

Note 2) "XXXXX" and "ZZZZZ" are for parts that could not be predicted or for engine models that could not be identified.

Note 3) (A=E00185) is the E (Engine Serial Number) for the column (A) model (in this case 4JH-DT) after the parts design change.

⑤ Remarks Mark

Figures or alphabets (symbols) are entered in the remarks column.

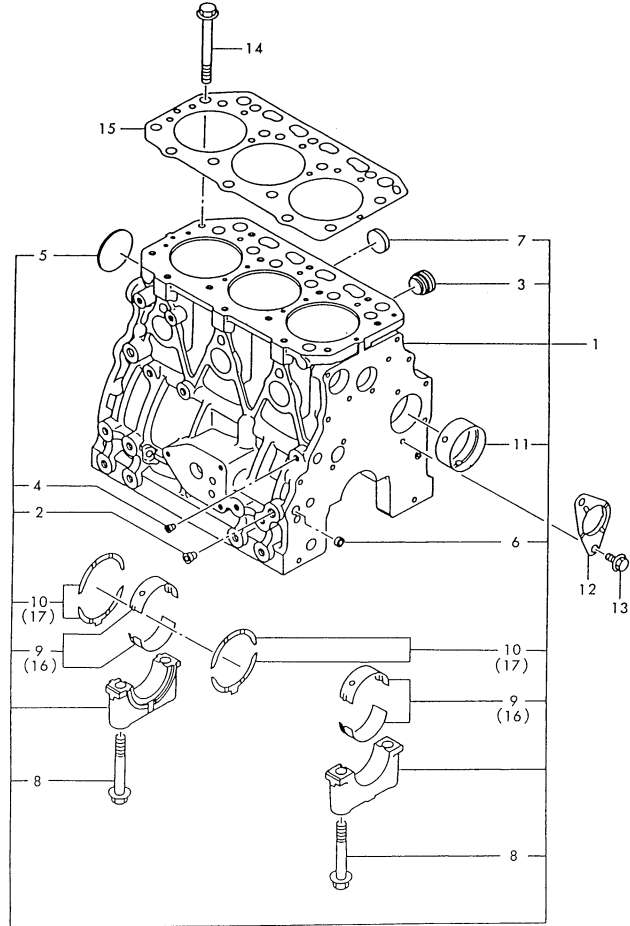
The comments (remarks) on parts that are indicated at the bottom of the illustration are the same symbols as those stated above.

Contents

Fig. No.	Fig. Name	Fig. No.	Fig. Name
ENGINE 3TN84L-RYB			
1.	CYLINDER BLOCK		
2.	GEAR HOUSING		
3.	MOUNTING FLANGE & OIL SUMP		
4.	CYLINDER HEAD & BONNET		
5.	SUCTION MANIFOLD & AIR CLEANER		
6.	EXHAUST MANIFOLD & SILENCER		
7.	CAMSHAFT & DRIVING GEAR		
8.	CRANKSHAFT & PISTON		
9.	LUB. OIL SYSTEM		
10.	COOLING WATER SYSTEM		
11.	THERMOSTAT		
12.	FUEL INJECTION PUMP		
13.	FUEL INJECTION LINE		
14.	FUEL LINE		
15.	GOVERNOR		
16.	ENGINE STOPPING DEVICE		
17.	STARTING MOTOR		
18.	GENERATOR		
19.	ELECTRIC PART		
20.	GASKET SET & TOOL		

Fig.1. CYLINDER BLOCK

029105-01100
029150-02100
029129-02200



(A)=3TN84L-RYB
(B)=
(C)=

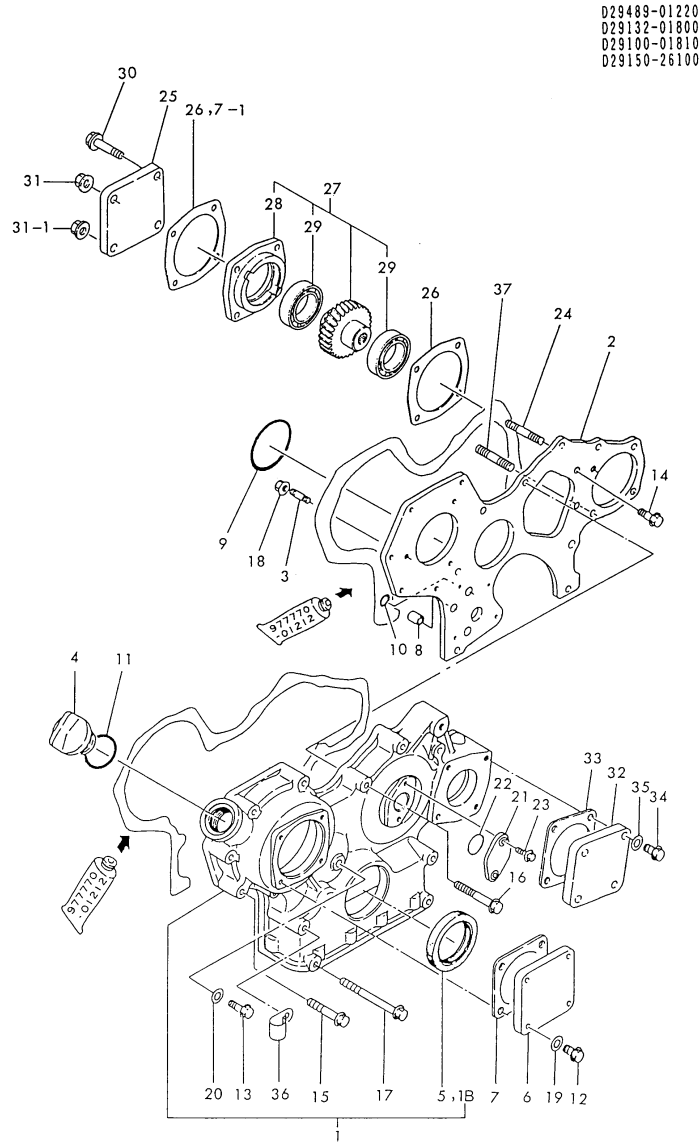
(D)=
(E)=
(F)=

No.	Lev.	Parts No.	Description	Q'ty						I	R
				(A)	(B)	(C)	(D)	(E)	(F)		
1	1	729157-01560	BLOCK ASSY, CYLINDER	1							
2	2	124160-01910	PLUG, PT1/4	3							
3	2	171051-01921	PLUG, NPTF1	1							
4	2	23871-010000	PLUG, R01	1							
5	2	27231-500000	PLUG 50	1							
6	2	27241-120000	PLUG, 12	2							
7	2	27241-300000	PLUG 30	6							
8	2	129150-02020	BOLT, METAL CAP	8							
9	2	129150-02800	BEARING, MAIN	4							
10	2	129150-02930	BEARING, THRUST	2							
11	2	129795-02411	BUSH, CAMSHAFT	1							
12	1	129150-02450	BEARING, THRUST	1							Z
(A=E XXX)											
13	1	26106-080162	BOLT, M8X 16 PLATED	2							
14	1	129150-01200	BOLT, HEAD	14							
15	1	129157-01332	GASKET, HEAD	1							\$
16	1	129150-02870	BEARING, 0.25 US	4							1
17	1	129150-02940	BEARING, THRUST 0.25	2							2

Remarks

- (1) UNDER-SIZE(U.S=0.25)PART.
- (2) OVER-SIZE(O.S=0.25)PART.
- (§) THESE PARTS ARE SOLD BY FIG.20, REF.NO.1,1-1.

Fig.2. GEAR HOUSING



029489-01220
029132-01800
029100-01810
029150-26100

(A)=3TN84L-RYB

(B)=

(C)=

(D)=

(E)=

(F)=

No.	Lev.	Parts No.	Description	Q'ty						I	R
				(A)	(B)	(C)	(D)	(E)	(F)		
1	1	129100-01590 (A=E27028)	CASE ASSY, GEAR	1							W
1B	2	129795-01800 (A=E27028)	SEAL, OIL	1							W
2	1	129100-01520	FLANGE, GEAR CASE	1							
3	1	121450-01560	STUD, M8X22	3							
4	1	124160-01751	COVER, FILLER	1							
5	1	129795-01800 (A=E27028)	SEAL, OIL	1							Z
6	1	124240-01871	COVER	1							
7	1	124240-01883	GASKET	1							\$
7-1	1	124240-01883 (A=E27028)	GASKET	2							K \$
8	1	129795-01950	PIPE, KNOCK L=18	2							
9	1	121850-51960	O-RING	1							\$
10	1	24311-000160	O-RING, 1AP16.0	2							
11	1	24311-000320	O-RING, 1AP32.0	1							\$
12	1	26106-080122	BOLT, M8X 12 PLATED	4							
13	1	26106-080162	BOLT, M8X 16 PLATED	1							
14	1	26106-080162	BOLT, M8X 16 PLATED	3							
15	1	26106-080452	BOLT, M8X 45 PLATED	6							
16	1	26106-080552	BOLT, M8X 55 PLATED	3							
17	1	26106-080852	BOLT, M8X 85 PLATED	4							
18	1	26366-080002	NUT, M8	3							
19	1	43400-500410	SEAL WASHER 8	4							
20	1	43400-500410	SEAL WASHER 8	1							
21	1	121023-01550	COVER	1							
22	1	24341-000240	O-RING, 1AS24.0	1							\$
23	1	26106-060122	BOLT, M6X 12 PLATED	2							
24	1	129150-01580	STUD, M8X30	1							
25	1	124240-01871	COVER	1							
26	1	129150-01880	GASKET	2							\$
26-1	1	129150-01881	GASKET	1							N \$
27	1	129150-26000 (A=E27739)	DRIVE ASSY, PUMP	1							
28	2	129150-26050	BRACKET, PUMP	1							
29	2	24101-060064	BEARING, BALL 6006	2							
30	1	26106-080302	BOLT, M8X 30 PLATED	3							
30-1	1	26106-080302	BOLT, M8X 30 PLATED	2							K
31	1	26366-080002 (A=E27028)	NUT, M8	1							
31-1	1	194990-22050	NUT, M8	2							N
32	1	124240-01871 (A=E27028)	COVER	1							
33	1	124240-01883	GASKET	1							\$
34	1	26106-080162	BOLT, M8X 16 PLATED	4							
35	1	43400-500410	SEAL WASHER 8	4							Z
36	1	129150-03100 (A=E27028)	RETAINER, PIPE	1							W
37	1	26216-080402 (A=E27028)	STUD, M8X 40	1							W

Remarks

(S) THESE PARTS ARE SOLD BY FIG.20,
REF.NO.1,1-1.

Fig.3. MOUNTING FLANGE & OIL SUMP

(A)=3TN84L-RYB

(B)=

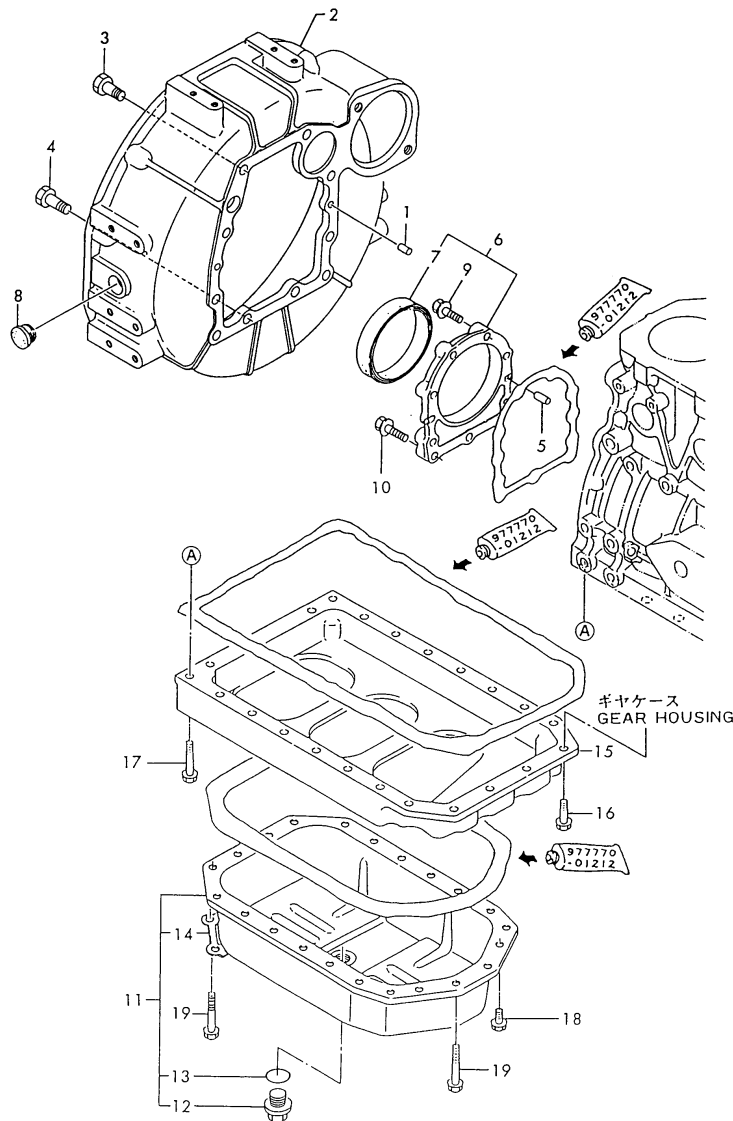
(C)=

(D)=

(E)=

(F)=

D29100-01310
D29100-01400
D29100-01510



No.	Lev.	Parts No.	Description	Q'ty						I	R
				(A)	(B)	(C)	(D)	(E)	(F)		
1	1	129100-01580	PIN, M8X16	2							
2	1	171301-01600	HOUSING, FLYWHEEL	1							
3	1	26206-100252	BOLT, M10X 25 PLATED	6							
4	1	26206-100302	BOLT, M10X 30 PLATED	4							
5	1	129100-01580	PIN, M8X16	2							
6	1	129100-01640	CASE ASSY, OIL SEAL	1							W
(A=E27028)											
7	2	129795-01780	SEAL, OIL	1							
8	1	119620-01750	CAP	1							
9	1	26106-080302	BOLT, M8X 30 PLATED	6							
10	1	26106-080352	BOLT, M8X 35 PLATED	3							
11	1	729100-01540	SUMP ASSY, OIL	1							
11-1	1	729102-01540	SUMP ASSY, OIL	1							N
(A=EXXX)											
12	2	171301-01640	PLUG, 22	1							
13	2	24341-000240	O-RING, 1AS24.0	1							
14	2	129100-01790	RETAINER	2							
15	1	129100-01730	SPACER, OIL SUMP	1							
16	1	26106-080252	BOLT, M8X 25 PLATED	2							
17	1	26106-080452	BOLT, M8X 45 PLATED	16							
18	1	26106-080162	BOLT, M8X 16 PLATED	4							
19	1	26106-080502	BOLT, M8X 50 PLATED	4							

Fig.4. CYLINDER HEAD & BONNET

(A)=3TN84L-RYB

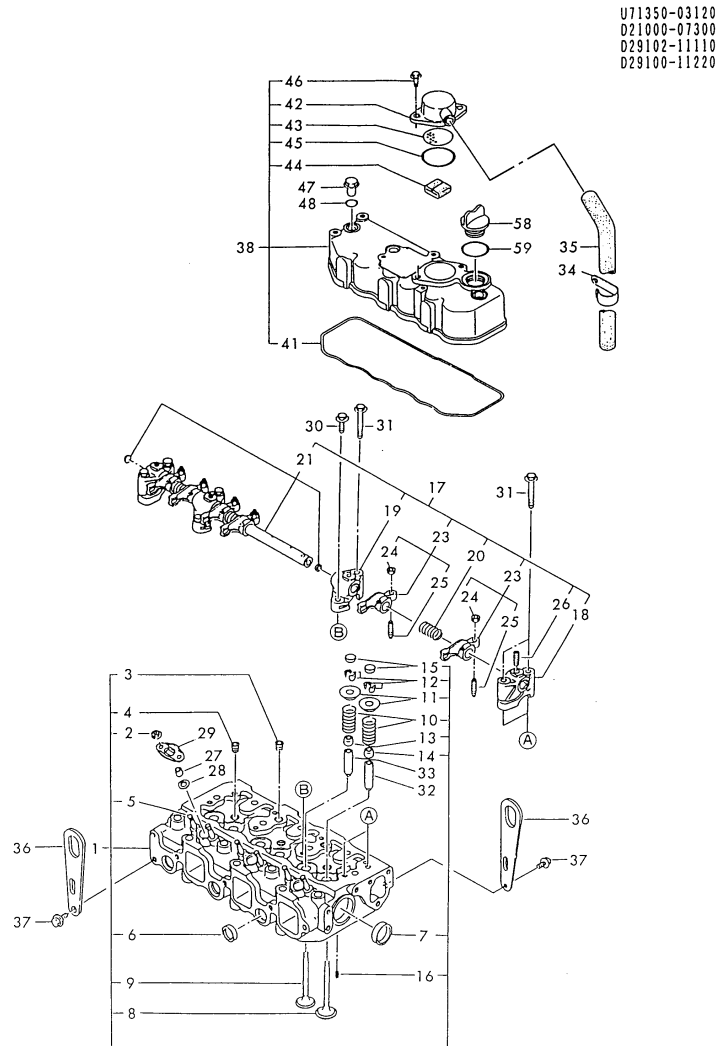
(B)=

(C)=

(D)=

(E)=

(F)=



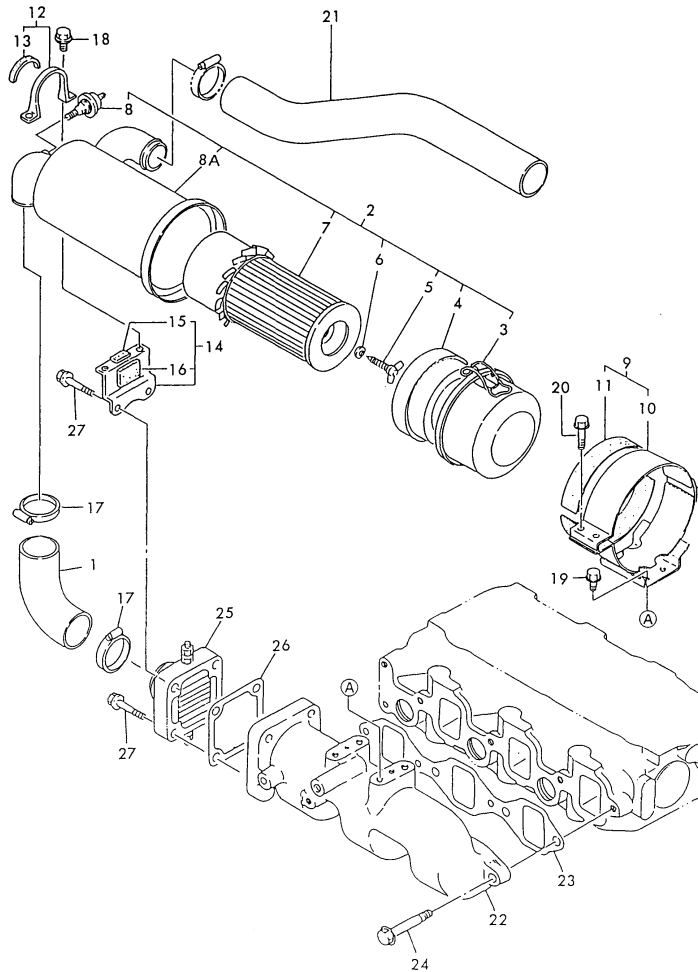
No.	Lev.	Parts No.	Description	Q'ty						I	R
				(A)	(B)	(C)	(D)	(E)	(F)		
1	1	729102-11700	HEAD ASSY, CYLINDER	1							
2	2	26366-060002	NUT, M6	6							
3	2	121850-11860	PLUG, PT1/4	2							
4	2	23871-030000	PLUG, R03	3							
5	2	26216-060202	STUD, M6X 20	6							
6	2	27241-220000	PLUG, 22	3							
7	2	27241-400000	PLUG, 40	2							
8	2	129100-11100	VALVE, INTAKE	3							
9	2	129100-11110	VALVE, EXHAUST	3							
10	2	129795-11120	SPRING, VALVE	6							
11	2	129795-11180	RETAINER, SPRING	6							
12	2	103338-11190	COTTER	6							
12-1	2	27310-080001	COTTER, 8	6							R
(A=EXXXXX)											
13	2	121400-11340	SEAL, VALVE STEM	3							
14	2	124460-11340	SEAL, VALVE STEM	3							
15	2	129150-11370	CAP, VALVE	6							
16	2	22351-060012	PIN, SPRING 6.0X12	2							
17	1	129155-11241	SHAFT ASSY, ROCKER	1							
18	2	129155-11260	SUPPORT, ROCKER ARM	2							
19	2	129155-11270	SUPPORT, ROCKER ARM	2							
20	2	129150-11280	SPRING	3							
21	2	129150-11290	SHAFT, ROCKER ARM	1							
23	2	729150-11651	ARM ASSY, ROCKER	6							
23-1	2	729402-11650	ARM ASSY, ROCKER	6							N
(A=E27028)											
24	3	129150-11750	NUT, M8	6							
25	3	129150-11230	SCREW, VALVE ADJUST	6							
26	2	26226-080182	STUD, M8X 18	3							
27	1	119625-11870	PROTECTOR, NOZZLE	3							
28	1	119625-11880	SEAT, NOZZLE	3							
29	1	119625-11900	RETAINER, NOZZLE	3							
30	1	26106-080252	BOLT, M8X 25 PLATED	2							
31	1	26106-080502	BOLT, M8X 50 PLATED	6							
32	1	120130-11860	GUIDE, VALVE	3							1
33	1	129150-11810	GUIDE, VALVE	3							1
34	1	129150-03100	RETAINER, PIPE	1							Z
(A=E27028)											
35	1	171350-03090	PIPE, BREATHER 900	1							
36	1	124736-07900	LIFTER	2							
37	1	26106-080142	BOLT, M8X 14 PLATED	4							
38	1	729132-11520	BONNET ASSY, HEAD	1							
38-1	1	129100-11350	BONNET ASSY, HEAD	1							N
(A=E27028)											
41	2	129150-11310	GASKET, BONNET	1							\$
42	2	129150-03020	COVER, BREATHER	1							
43	2	129150-03080	PLATE, BAFFLE	1							
44	2	129150-03070	BAFFLE, BREATHER	1							
45	2	24341-000500	O-RING, 1AS50.0	1							\$
46	2	26106-080162	BOLT, M8X 16 PLATED	2							
47	1	124160-11360	KNOB	3							

Remarks

(1) REPAIR PART.
 (\$) THESE PARTS ARE SOLD BY FIG.20,
 REF.NO.1,1-1.

Fig.5. SUCTION MANIFOLD & AIR CLEANER

D29100-12100
 D29132-12110
 D29100-77501
 D29132-93070



(A)=3TN84L-RYB

(B)=

(C)=

(D)=

(E)=

(F)=

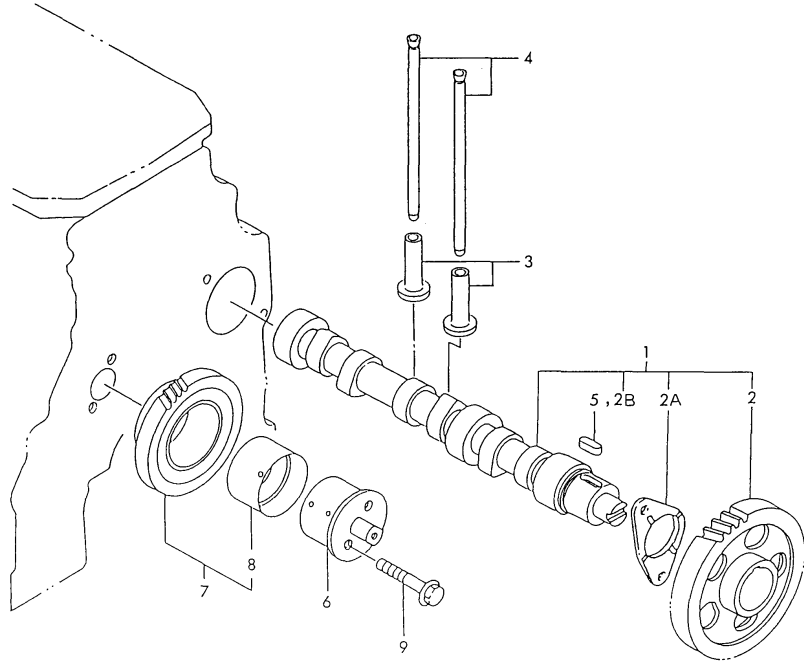
No.	Lev.	Parts No.	Description	Q'ty						I	R
				(A)	(B)	(C)	(D)	(E)	(F)		
1	1	119840-12210	PIPE, AIR INTAKE	1							
2	1	129132-12520	CLEANER ASSY, AIR	1							
2-1	1	129132-12530	CLEANER ASSY, AIR	1							S
(A=EXXX)											
3	2	121120-12531	PAN, DUST	1							
4	2	121120-12541	RETAINER, ELEMENT	1							
5	2	121120-12561	BOLT	1							
6	2	121120-12571	WASHER, SEAL	1							
7	2	121120-12901	ELEMENT	1							
8	2	121262-12800	INDICATOR	1							
8A	2	129415-12520	CASE ASSY, CLEANER	1							
9	1	129132-12581	SUPPORT ASSY,CLEANER	1							
10	2	129132-12561	SUPPORT, AIR CLEANER	1							
11	2	119640-12580	SEAT, RUBBER	2							
12	1	129132-12800	BAND, AIR CLEANER	1							
13	2	129132-12860	SEAT, RUBBER	1							
14	1	129132-12810	SUPPORT, AIR CLEANER	1							
15	2	129132-12890	SEAT, RUBBER	1							
16	2	129132-12900	DAMPER	1							
17	1	23000-060000	CLAMP, 60	2							
18	1	26106-060142	BOLT, M6X 14 PLATED	2							
19	1	26106-080142	BOLT, M8X 14 PLATED	4							
20	1	26106-080252	BOLT, M8X 25 PLATED	2							
21	1	129132-12210	PIPE, AIR INTAKE	1							
21-1	1	129132-12230	PIPE, AIR INTAKE	1							N
(A=E43340)											
22	1	129122-12100	MANIFOLD, AIR INTAKE	1							
23	1	129150-12110	GASKET, MANIFOLD	1							\$
23-1	1	129150-12111	GASKET, MANIFOLD	1							N \$
(A=E27739)											
24	1	26106-080252	BOLT, M8X 25 PLATED	4							
25	1	129120-77501	HEATER	1							
26	1	129150-77510	GASKET	1							\$
26-1	1	129150-77511	GASKET	1							N \$
(A=E27739)											
27	1	26106-080352	BOLT, M8X 35 PLATED	4							

Remarks

(\$) THESE PARTS ARE SOLD BY FIG.20,
 REF.NO.1,1-1.

Fig.7. CAMSHAFT & DRIVING GEAR

029129-14100
029100-25101

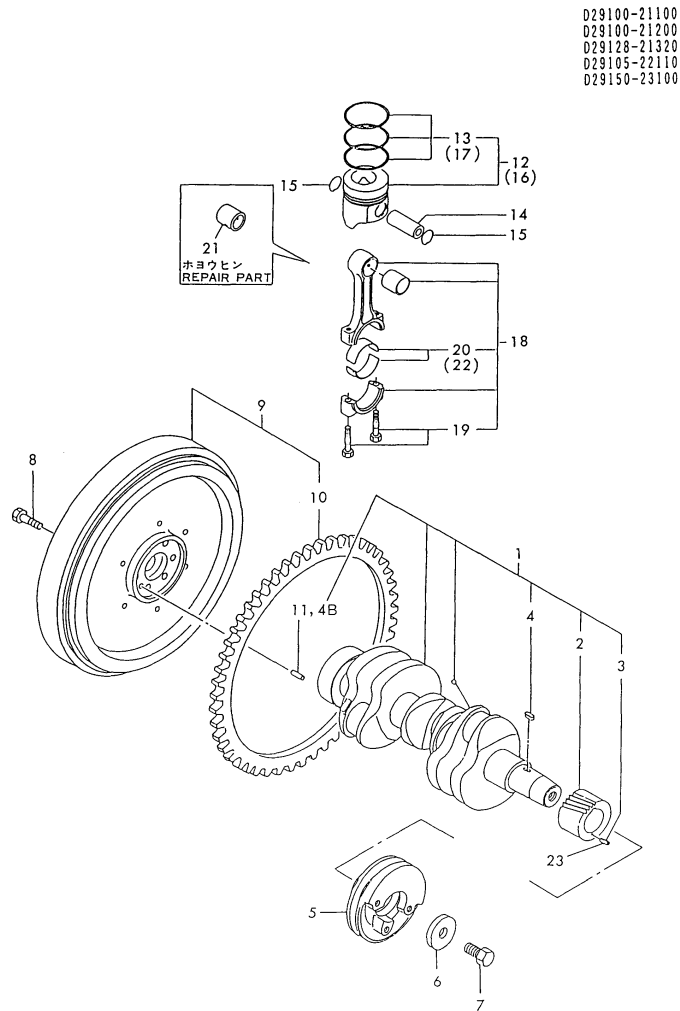


(A)=3TN84L-RYB
(B)=
(C)=

(D)=
(E)=
(F)=

No.	Lev.	Parts No.	Description	Q'ty						I	R
				(A)	(B)	(C)	(D)	(E)	(F)		
1	1	129129-14580 (A=EXXX)	CAMSHAFT ASSY	1							W
2	2	129150-14101	GEAR, CAMSHAFT	1							
2A	2	129150-02450 (A=EXXX)	BEARING, THRUST	1							W
2B	2	22512-070140 (A=EXXX)	KEY, 7X 14	1							W
3	1	129150-14200	TAPPET	6							
4	1	129150-14400	ROD, PUSH L=178	6							
5	1	22512-070140 (A=EXXX)	KEY, 7X 14	1							Z
6	1	129100-25061	SHAFT, IDLE	1							
7	1	129150-25101	GEAR ASSY, IDLE	1							
9	1	26106-080452	BOLT, M8X 45 PLATED	2							

Fig.8. CRANKSHAFT & PISTON



No.	Lev.	Parts No.	Description	Q'ty						I	R
				(A)	(B)	(C)	(D)	(E)	(F)		
1	1	729102-21700	CRANKSHAFT ASSY	1							
2	2	129150-21200	GEAR, CRANKSHAFT	1							
3	2	22351-040010	PIN, SPRING 4.0X10	1							Z
(A=EXXX)											
4	2	22512-070140	KEY, 7X 14	1							
4B	2	129100-01580	PIN, M8X16	1							W
(A=EXXX)											
5	1	171340-21650	V-PULLEY	1							
5-1	1	129116-21650	V-PULLEY	1							N
(A=EXXX)											
6	1	129795-21661	WASHER	1							
7	1	121850-21680	BOLT	1							
8	1	121111-21501	BOLT, FLYWHEEL	6							
9	1	129128-21590	FLYWHEEL ASSY	1							
10	2	119865-21600	GEAR, RING	1							
11	1	129100-01580	PIN, M8X16	1							Z
(A=EXXX)											
12	1	129105-22080	PISTON ASSY	3							
13	2	129105-22500	RING SET, PISTON	3							
14	1	129150-22300	PIN, PISTON D26 L66	3							
15	1	121100-22400	CIRCLIP	6							
16	1	729105-22900	PISTON ASSY, 0.25 OS	3							1
17	2	729157-22951	RING SET, 0.25 OS	3							1
18	1	729150-23700	ROD ASSY, CONNECTING	3							
18-1	1	729402-23100	ROD ASSY, CONNECTING	3							N
(A=E27028)											
19	2	121550-23200	BOLT, CONNECTING ROD	6							
20	2	129150-23600	BEARING, CRANK PIN	3							
21	1	129100-23910	BEARING, PISTON PIN	3							2
22	1	129150-23610	BEARING, 0.25 US	3							3
23	1	22351-040010	PIN, SPRING 4.0X10	1							W
(A=EXXX)											

Remarks

- (1) OVER-SIZE(O.S=0.25)PART.
- (2) REPAIR PART.
- (3) UNDER-SIZE(U.S=0.25)PART.

Fig.9. LUB. OIL SYSTEM

(A)=3TN84L-RYB

(B)=

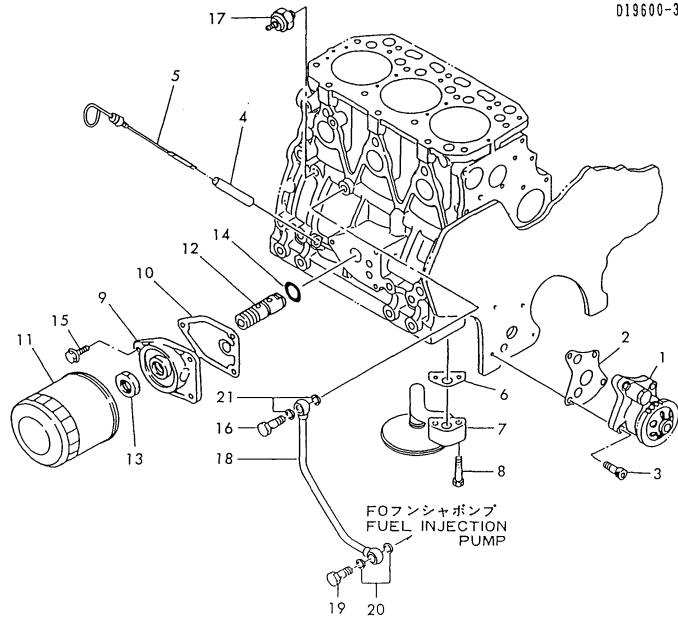
(C)=

(D)=

(E)=

(F)=

D29150-32100
 D29100-34110
 D29100-35100
 D29100-35200
 D29150-39110
 D19600-39100

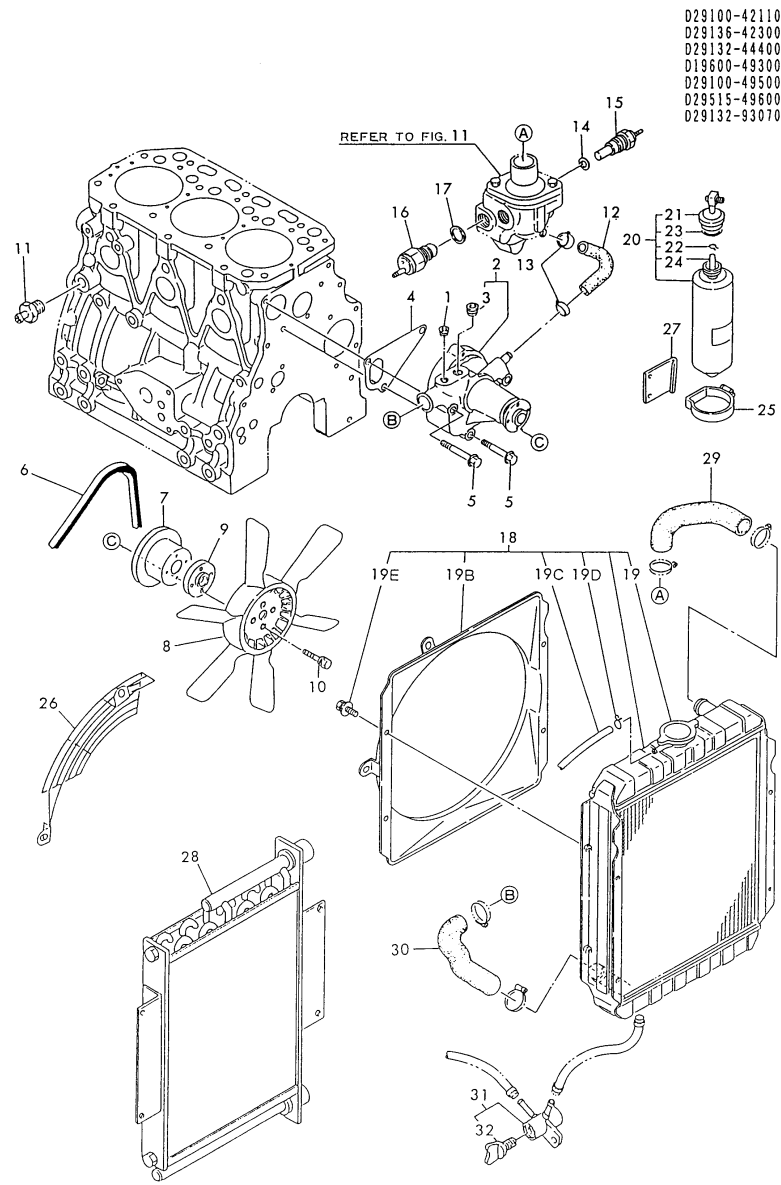


No.	Lev.	Parts No.	Description	Q'ty						I	R
				(A)	(B)	(C)	(D)	(E)	(F)		
1	1	129150-32000	PUMP ASSY, OIL	1							
2	1	129150-32020	GASKET, PUMP	1							\$
3	1	26450-060252	BOLT, M6X 25	4							
4	1	121520-34810	GUIDE, DIPSTICK	1							
5	1	171420-34800	DIPSTICK, OIL	1							
6	1	129150-35040	GASKET	1							\$
6-1	1	129150-35041	GASKET	1							N \$
(A=E27739)											
7	1	129150-35091	PIPE ASSY, OIL INLET	1							
8	1	26106-080352	BOLT, M8X 35 PLATED	2							
9	1	129150-35101	BRACKET, STRAINER	1							
10	1	129150-35110	GASKET	1							\$
10-1	1	129150-35111	GASKET	1							N \$
(A=E27739)											
11	1	129150-35150	FILTER 90X80L	1							
12	1	119865-35300	VALVE ASSY, CONTROL	1							
13	1	129150-35350	NUT	1							
14	1	24311-000160	O-RING, 1AP16.0	1							
15	1	26106-080202	BOLT, M8X 20 PLATED	3							
16	1	124160-39140	BOLT, PIPE JOINT M10	1							
17	1	124160-39450	SWITCH, 0.5KG	1							
18	1	129150-39450	PIPE ASSY, OIL	1							
19	1	124550-59820	BOLT, PIPE JOINT M8	1							
20	1	23414-080000	GASKET, 8X1.0	2							
21	1	23414-100000	GASKET, 10X1.0	2							

Remarks

(\$) THESE PARTS ARE SOLD BY FIG.20,
 REF.NO.1,1-1.

Fig.10. COOLING WATER SYSTEM



No.	Lev.	Parts No.	Description	Q'ty						I	R
				(A)	(B)	(C)	(D)	(E)	(F)		
1	1	121850-11860	PLUG, PT1/4	1							
2	1	129100-42001	PUMP ASSY, WATER	1							
2-1	1	129100-42002	PUMP ASSY, WATER	1							N
(A=E27739)											
3	2	23871-030000	PLUG, R03	1							
4	1	129100-42020	GASKET, WATER PUMP	1							\$
5	1	26106-080602	BOLT, M8X 60 PLATED	3							
6	1	119865-42290	V-BELT, A36.5	1							
7	1	129556-42350	V-PULLEY, 96	1							
7-1	1	129155-42350	V-PULLEY	1							N
(A=E42428)											
8	1	121520-44740	FAN, COOLING D325	1							
8-1	1	129114-44740	FAN, COOLING D325XY	1							S
(A=E42428)											
9	1	124574-44761	SPACER, FAN	1							
9-1	1	129350-44760	SPACER	1							N
(A=E43340)											
10	1	26014-060302	BOLT, M6X 30	4							
10-1	1	26014-060162	BOLT, M6X 16	4							N
(A=E42428)											
10-2	1	26014-060202	BOLT, M6X 20	4							N
(A=E43340)											
11	1	121550-49111	JOINT, PT1/4	1							
12	1	129100-49050	PIPE, WATER	1							
13	1	23000-016000	CLAMP, 16	2							
14	1	129150-49360	GASKET	1							\$
15	1	171056-49351	SENSOR	1							
16	1	121250-44901	SWITCH, 110	1							
17	1	124465-44950	GASKET, 16	1							\$
18	1	129132-44500	RADIATOR	1							
19	2	123682-44210	CAP, RADIATOR	1							
19B	2	129132-44520	SHROUD	1							W
(A=E34902)											
19C	2	129132-44530	HOSE, RUBBER	1							W
(A=E34902)											
19D	2	121250-44590	CLAMP	2							W
(A=E34902)											
19E	2	26014-080162	BOLT, M8X 16	4							W
(A=E34902)											
20	1	171064-44510	TANK ASSY, SUB	1							
21	2	121450-44531	CAP	1							
22	2	124450-44560	RETAINER	1							
23	2	121470-44581	GASKET	1							
24	2	23065-070225	PIPE 7X 225	1							
25	1	124450-44550	BAND	1							
26	1	129132-44590	NET, WIRE	1							
27	1	121256-44600	BRACKET, SUB TANK	1							
28	1	129132-44900	COOLER, OIL	1							
28-1	1	129132-44901	COOLER ASSY, OIL	1							N
(A=E32719)											
29	1	119860-49010	PIPE, WATER	1							

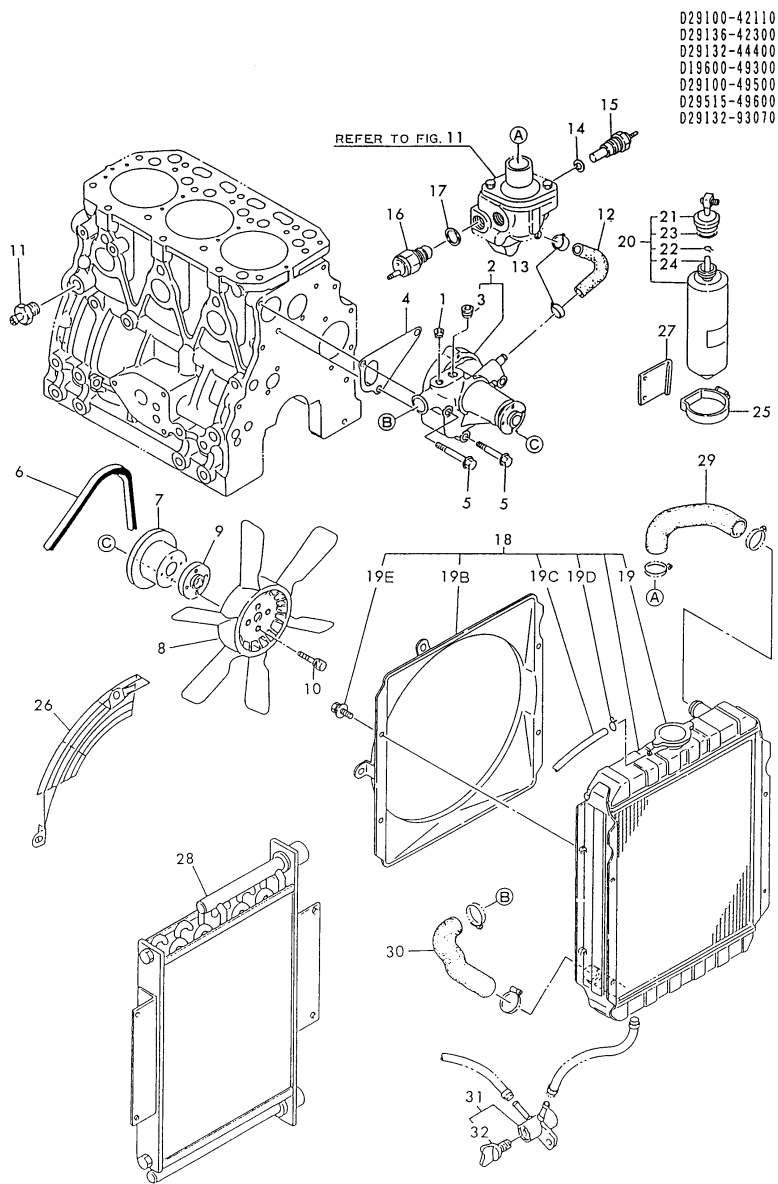
Remarks
(\$) THESE PARTS ARE SOLD BY FIG.20,
REF.NO.1,1-1.

Fig.10. COOLING WATER SYSTEM

(A)=3TN84L-RYB
(B)=
(C)=

(D)=
(E)=
(F)=

No.	Lev.	Parts No.	Description	Q'ty						I	R
				(A)	(B)	(C)	(D)	(E)	(F)		
30	1	119860-49020	PIPE, WATER	1							
31	1	129150-49100	COCK ASSY, 3-WAY	1							
32	2	129150-49080	COCK, DRAIN	1							

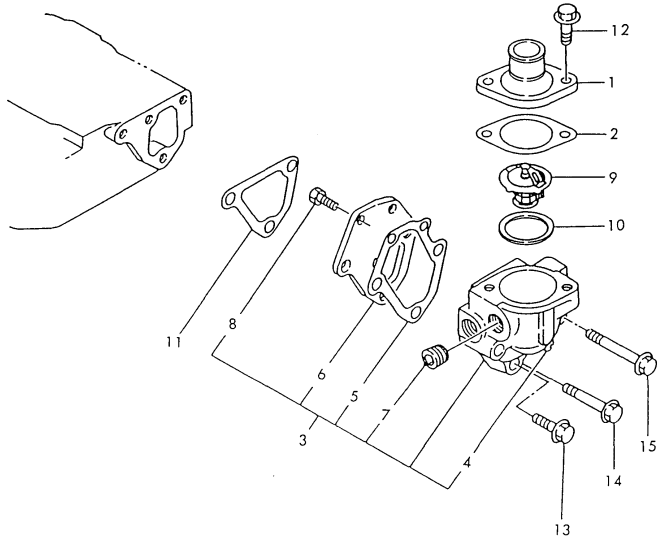


- 029100-42110
- 029136-42300
- 029132-44400
- 019600-48300
- 029100-49500
- 029515-49600
- 029132-93070

Remarks
(\$) THESE PARTS ARE SOLD BY FIG.20,
REF.NO.1,1-1.

Fig.11. THERMOSTAT

029100-49210



(A)=3TN84L-RYB

(B)=

(C)=

(D)=

(E)=

(F)=

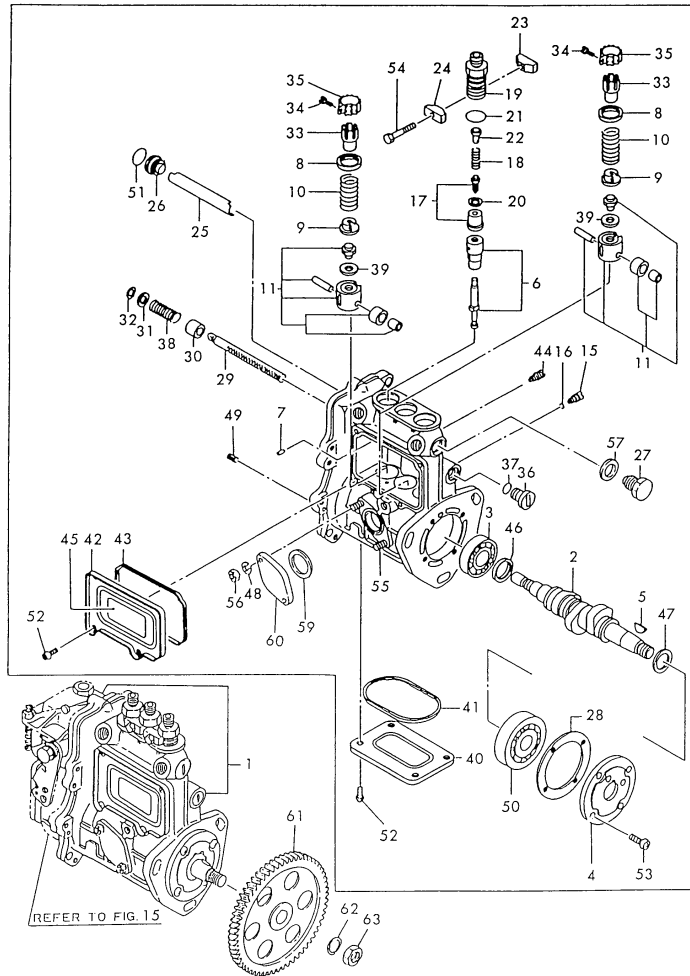
No.	Lev.	Parts No.	Description	Q'ty						I	R
				(A)	(B)	(C)	(D)	(E)	(F)		
1	1	129350-49530	COVER, THERMOSTAT	1							
2	1	129795-49550	GASKET	1							\$
2-1	1	129795-49551	GASKET	1						N	\$
(A=E27739)											
3	1	129100-49800	CASE ASSY,THERMOSTAT	1							
4	2	124770-11770	JOINT, PIPE PT1/8	1							
5	2	129100-49820	GASKET	1							
6	2	129100-49830	COVER, THERMOSTAT	1							
7	2	23871-030000	PLUG, R03	1							
8	2	26116-060162	BOLT, M6X 16 PLATED	2							
9	1	129155-49800	THERMOSTAT, 71	1							
10	1	129150-49810	GASKET, THERMOSTAT	1							\$
10-1	1	129150-49811	GASKET, THERMOSTAT	1						N	\$
(A=E27739)											
11	1	129100-49840	GASKET	1							\$
12	1	26106-080202	BOLT, M8X 20 PLATED	2							
13	1	26106-080252	BOLT, M8X 25 PLATED	1							
14	1	26106-080502	BOLT, M8X 50 PLATED	1							
15	1	26106-080602	BOLT, M8X 60 PLATED	1							

Remarks

(\$) THESE PARTS ARE SOLD BY FIG.20,
REF.NO.1,1-1.

Fig.12. FUEL INJECTION PUMP

D29150-25200
729105-51370



(A)=3TN84L-RYB

(B)=

(C)=

(D)=

(E)=

(F)=

No.	Lev.	Parts No.	Description	Q'ty						I	R	
				(A)	(B)	(C)	(D)	(E)	(F)			
1	1	729105-51370	PUMP ASSY, INJECTION	1							W	1
		(A=EXXX)										
2	2	119810-51040	CAMSHAFT	1								
3	2	129155-51050	BEARING, 17BM001D	1								
4	2	129155-51060	SUPPORT, CAMSHAFT	1								
5	2	122710-51090	KEY	1								
6	2	129400-51100	PLUNGER ASSY	3								
7	2	129155-51140	PIN	3								
8	2	174307-51170	RETAINER, SPRING A	3								
9	2	129155-51180	RETAINER, SPRING	3								
10	2	124950-51190	SPRING, PLUNGER	3								
11	2	129155-51200	TAPPET ASSY	3								
15	2	129155-51270	STOPPER, TAPPET	3								
16	2	129155-51280	O-RING, S6	3								
17	2	128170-51300	VALVE ASSY, DELIVERY	3								
18	2	129155-51320	SPRING, DELIVERY	3								
19	2	129155-51340	RETAINER	3								
20	2	124550-51350	GASKET, DELIVERY	3								
21	2	124550-51370	O-RING	3								
22	2	129155-51370	STOPPER, VALVE	3								
23	2	129155-51380	STOPPER	2								
24	2	129155-51390	STOPPER	2								
25	2	129155-51400	DEFLECTOR	1								
26	2	129155-51410	BOLT	1								
27	2	129155-51420	PLUG, M16	1								
28	2	129155-51450	SHIM SET, ADJUSTING	1								
29	2	129155-51500	RACK, CONTROL	1								
30	2	129155-51521	BUSH, RACK	1								
31	2	129155-51530	SPACER	1								
32	2	129155-51540	CIRCLIP	1								
33	2	129155-51550	PINION, CONTROL	3								
34	2	122117-51560	SCREW	3								
35	2	174307-51560	PINION	3								
36	2	129155-51570	PLUG, M12	1								
37	2	129155-51580	O-RING	1								
38	2	129155-51591	SPRING, RACK	1								
39	2	129155-51600	SHIM SET, ADJUSTING	3								
40	2	129155-51700	COVER	1								
41	2	129155-51710	GASKET	1								
42	2	129155-51750	COVER	1								
43	2	129155-51760	GASKET	1								
44	2	129155-51790	STOOPER, RACK	1								
45	2	129156-51910	LABEL, CAUTION	1								
46	2	129155-51930	SPACER, T=3.25	1								
47	2	129155-51940	SPACER, T=1.5	1								
48	2	22217-060000	WASHER, SPRING 6	2								
49	2	22351-050010	PIN, SPRING 5.0X10	2								
50	2	24101-063034	BEARING, BALL 6303	1								
51	2	24341-000160	O-RING, 1AS16.0	1								
52	2	26022-050102	SCREW, M5X10	8								
53	2	26022-060162	SCREW, M6X16	4								

Remarks

(1) GOVERNOR ASSY (FIG.NO.15) IS INCORPORATED IN THIS FOP CMP (REF.NO.1).

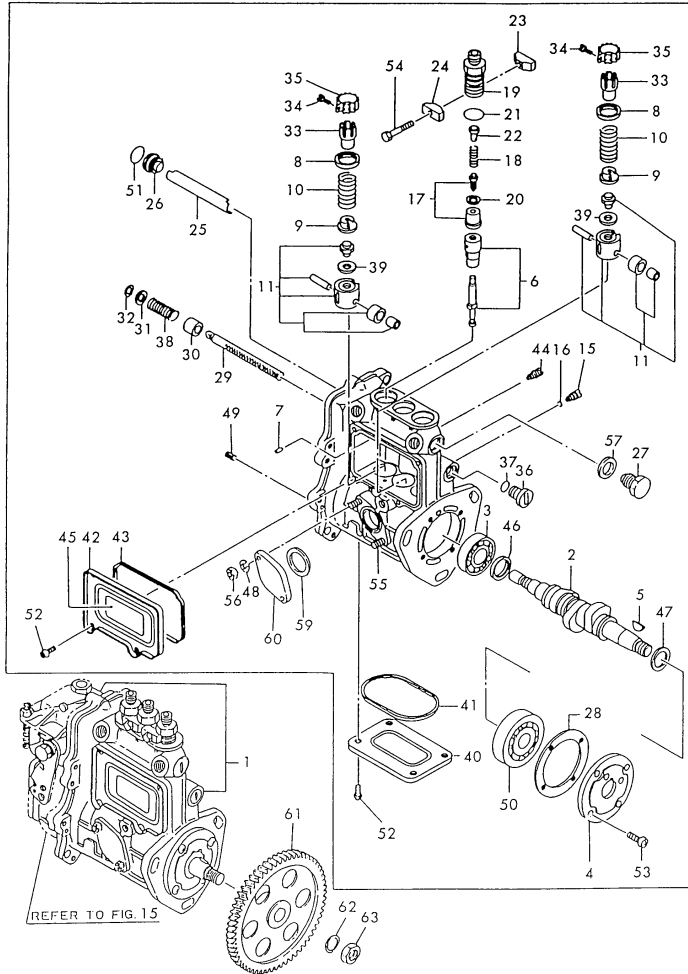
Fig.12. FUEL INJECTION PUMP

(A)=3TN84L-RYB
 (B)=
 (C)=

(D)=
 (E)=
 (F)=

No.	Lev.	Parts No.	Description	Q'ty						I	R
				(A)	(B)	(C)	(D)	(E)	(F)		
54	2	26116-050302	BOLT, M5X 30 PLATED	2							
55	2	129155-51020	STUD	2							
56	2	26716-060002	NUT, M6	2							
57	2	43400-500490	SEAL WASHER 16	1							
59	2	129155-52050	GASKET	1							
60	2	129100-52200	COVER	1							
61	1	129150-25900	GEAR, PUMP	1							
62	1	22217-120000	WASHER, SPRING 12	1							
63	1	26716-120002	NUT, M12	1							

D29150-25200
 729105-51370



Remarks

(1) GOVERNOR ASSY (FIG.NO.15) IS INCORPORATED IN THIS FOP CMP (REF.NO.1).

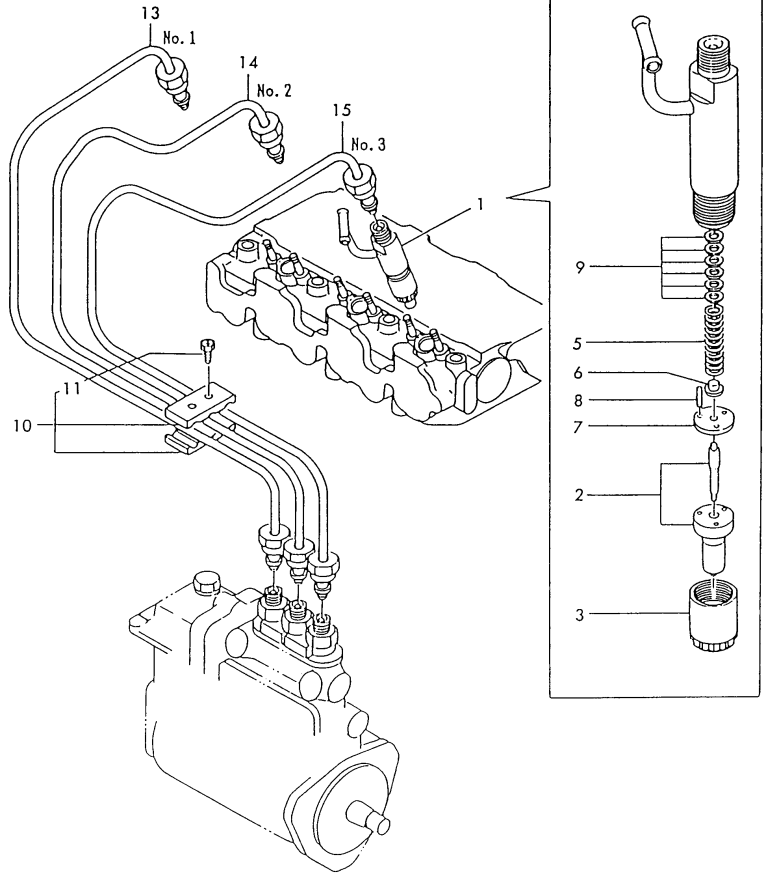
N:Old $\xrightarrow{\text{Yes}}$ New, Q:Old $\xrightarrow{\text{No}}$ New, R:Old $\xrightarrow{\text{Yes}}$ New, S:Old $\xrightarrow{\text{No}}$ New, W:Add, Z:Discontinued, F:Interchangeable by set, K:Q'ty Change

Fig.13. FUEL INJECTION LINE

(A)=3TN84L-RYB
(B)=
(C)=

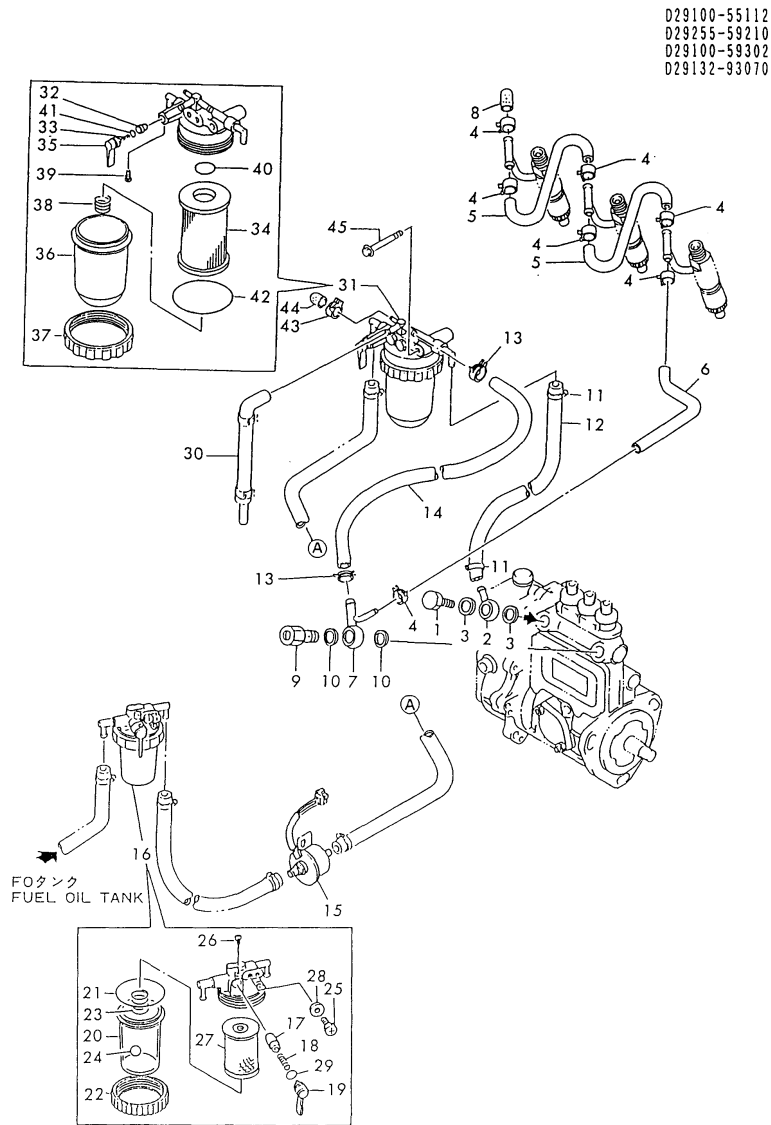
(D)=
(E)=
(F)=

D29503-53100
D29100-59110



No.	Lev.	Parts No.	Description	Q'ty						I	R
				(A)	(B)	(C)	(D)	(E)	(F)		
1	1	729503-53100	VALVE ASSY,INJECTION	3							
2	2	129503-53000	VALVE ASSY,INJECTION	3							
3	2	114250-53080	NUT, NOZZLE D16.95	3							
5	2	114250-53120	SPRING, NOZZLE	3							
6	2	114250-53130	SEAT, SPRING	3							
7	2	114250-53140	PLATE	3							
8	2	114250-53210	PIN	6							
9	2	114250-53400	SHIM SET	3							
10	1	129150-59120	RETAINER, PIPE	1							
11	2	129150-59130	BOLT, M4X12	2							
13	1	129100-59910	PIPE ASSY, INJECTION	1							
14	1	129100-59920	PIPE ASSY, INJECTION	1							
15	1	129100-59930	PIPE ASSY, INJECTION	1							

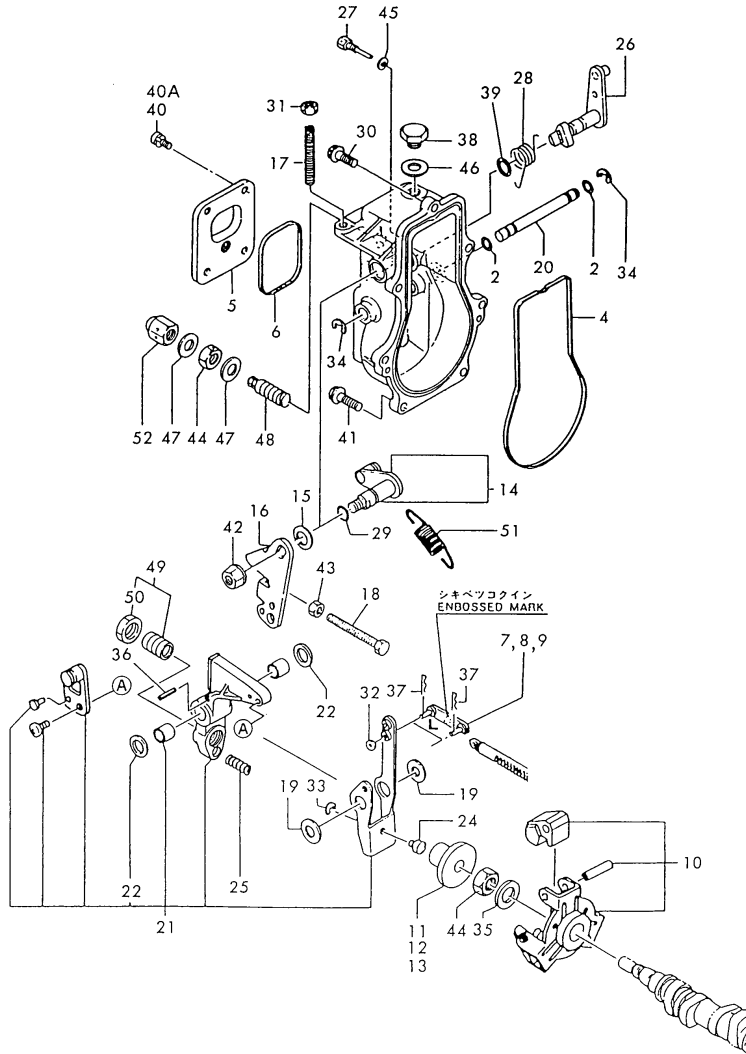
Fig.14. FUEL LINE



No.	Lev.	Parts No.	Description	Q'ty						I	R
				(A)	(B)	(C)	(D)	(E)	(F)		
1	1	103854-39140	BOLT, PIPE JOINT	1							
2	1	101304-59020	JOINT, PIPE 12	1							
3	1	104200-59170	GASKET, 12	2							
4	1	124066-59100	CLIP, HOSE 8	7							
5	1	121250-59550	PIPE, FUEL D8X120	2							
6	1	119840-59560	PIPE, FUEL RETURN	1							
7	1	119840-59570	JOINT	1							
8	1	129150-59580	CAP	1							
9	1	129100-59951	VALVE ASSY, CHECK	1							
10	1	23414-120000	GASKET, 12X1.0	2							
11	1	124766-59050	CLIP, HOSE 12	2							
12	1	129555-59510	PIPE, D13/7.5X180	1							
13	1	124766-59050	CLIP, HOSE 12	2							
14	1	129255-59580	PIPE, FUEL	1							
14-1	1	105025-59750	PIPE, FUEL	1							N
(A=E34902)											
15	1	119225-52102	PUMP ASSY, FUEL FEED	1							
16	1	129335-55700	SEPARATOR ASSY,WATER	1							
17	2	104200-55321	VALVE, TAPER	1							
18	2	104200-55330	SPRING, VALVE	1							
19	2	104200-55341	HANDLE	1							
20	2	124064-55510	COVER	1							
21	2	102103-55520	O-RING	1							
22	2	110250-55610	RING, RETAINING	1							
23	2	121257-55720	SPRING	1							
24	2	121257-55731	FLOAT	1							
25	2	101720-55750	PLUG, 6	2							
26	2	104200-55750	SCREW, M4	1							
27	2	171081-55910	SCREEN	1							
28	2	23418-060000	GASKET, 6X1.0	2							
29	2	24311-240100	O-RING, 1AP10A	1							
30	1	119840-59601	BEND	1							
31	1	129100-55621	FILTER ASSY, FUEL	1							
32	2	104200-55321	VALVE, TAPER	1							
33	2	104200-55330	SPRING, VALVE	1							
34	2	129100-55650	ELEMENT	1							
35	2	129100-55670	LEVER	1							
36	2	129100-55680	CUP, STRAINER	1							
37	2	129100-55690	RING, RETAINING	1							
38	2	129100-55700	SPRING	1							
39	2	104200-55750	SCREW, M4	1							
40	2	24311-000160	O-RING, 1AP16.0	1							
41	2	24311-240100	O-RING, 1AP10A	1							
42	2	24321-000650	O-RING, 1AG65.0	1							
43	1	124066-59100	CLIP, HOSE 8	1							
44	1	129150-59580	CAP	1							
45	1	26014-080702	BOLT, M8X 70	1							

Fig.15. GOVERNOR

729105-51370



(A)=3TN84L-RYB

(B)=

(C)=

(D)=

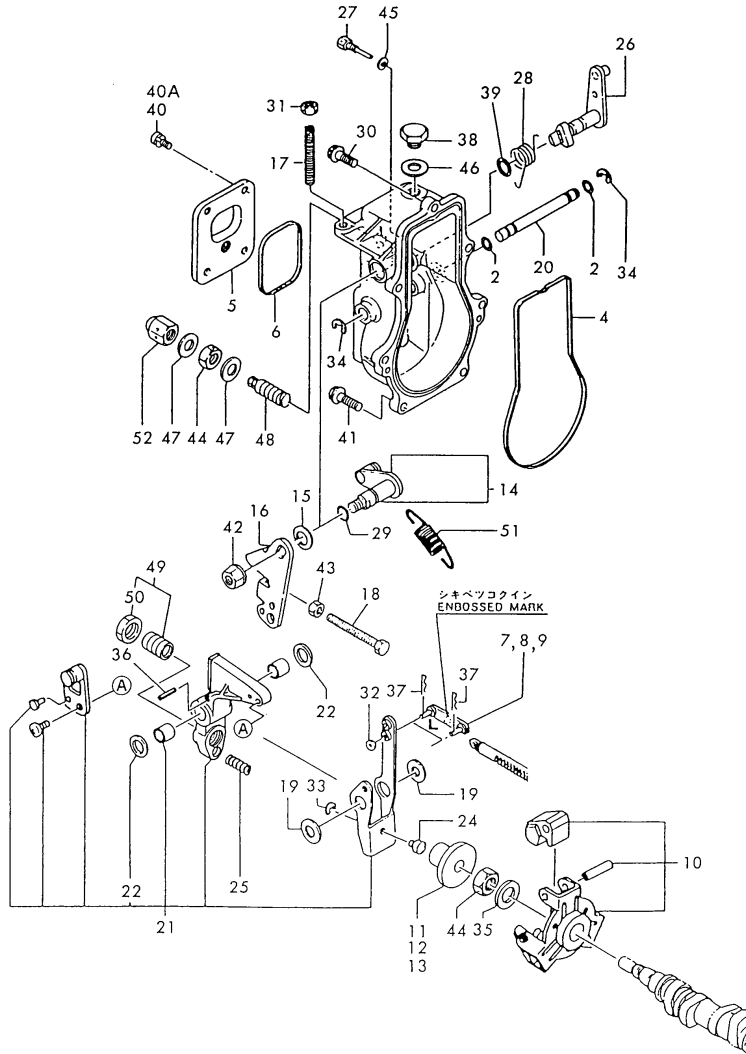
(E)=

(F)=

No.	Lev.	Parts No.	Description	Q'ty						I	R
				(A)	(B)	(C)	(D)	(E)	(F)		
2	2	129155-51280	O-RING, S6	2							
4	2	129155-61050	GASKET	1							
5	2	129155-61060	COVER, GOVERNOR CASE	1							
6	2	129155-61070	GASKET	1							
7	2	129155-61120	LINK, L=30 MARK 0	1							
8	2	129155-61130	LINK, L=31 MARK 1	1							
9	2	129155-61140	LINK, L=30.5 MARK 05	1							
10	2	129155-61201	WEIGHT ASSY, GOVERNOR	1							
11	2	129155-61341	SLEEVE	1							1
12	2	129155-61350	SLEEVE, L=24.9	1							1
13	2	129155-61360	SLEEVE, L=25.2	1							1
14	2	129100-61400	SHAFT ASSY	1							
15	2	129155-61430	SPACER	1							
16	2	129100-61440	LEVER, CONTROL	1							
17	2	129155-61450	BOLT, LIMITER	1							
18	2	129155-61460	BOLT, IDLE	1							
19	2	129155-61480	SPACER ASSY	2							
20	2	129155-61490	SHAFT	1							
21	2	129500-61500	LEVER ASSY, GOVERNOR	1							
21-1	2	129500-61501	LEVER ASSY, GOVERNOR	1							N
(A=E46654)											
22	3	174307-51700	SHIM SET	2							
24	2	129155-61540	SHIFTER	1							
25	2	129100-61650	SPRING, CONTROLLER	1							
26	2	129255-61802	LEVER, STOP	1							
27	2	129155-61810	PIN	1							
28	2	129100-61821	SPRING, RETURN	1							
29	2	129155-61830	O-RING, S10	1							
30	2	129155-61950	BOLT	1							
31	2	124550-66370	NUT, M6	1							
32	2	22117-04000	WASHER, 4	1							
33	2	22272-000040	RING, E- 4	1							
34	2	22272-000060	RING, E- 6	2							
35	2	22287-120000	WASHER, 12	1							
36	2	22351-030016	PIN, SPRING 3.0X16	1							
37	2	22360-040000	PIN, SNAP 4	2							
37-1	2	22372-040000	PIN, SNAP 4	2							N
(A=E35856)											
38	2	23887-100002	PLUG, 10	1							
39	2	24311-240100	O-RING, 1AP10A	1							
40	2	26022-050102	SCREW, M5X10	4							
40-1	2	26022-050102	SCREW, M5X10	2							K
(A=E46654)											
40A	2	26023-050102	SCREW, M5X10	2							W
(A=E46654)											
41	2	26106-060202	BOLT, M6X 20 PLATED	6							
42	2	26366-080002	NUT, M8	1							
43	2	26756-060002	NUT, LOCK M6	1							
44	2	26776-120002	NUT, LOCK M12	2							
45	2	43400-500390	SEAL WASHER 6	1							
46	2	43400-500430	SEAL WASHER 10	1							

Fig.15. GOVERNOR

729105-51370

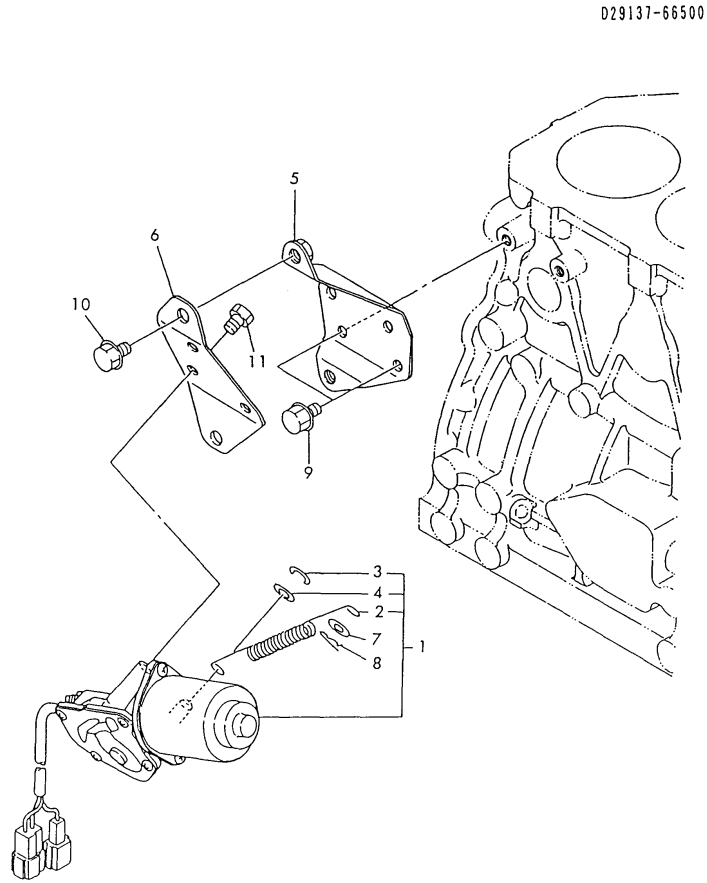


(A)=3TN84L-RYB
(B)=
(C)=

(D)=
(E)=
(F)=

No.	Lev.	Parts No.	Description	Q'ty						I	R
				(A)	(B)	(C)	(D)	(E)	(F)		
47	2	43400-500450	SEAL WASHER 12	2							
48	2	129155-61470	BOLT, CONTROL	1							
49	2	129132-61550	ANGLEICH ASSY	1							
50	3	129155-61590	NUT, LOCK	1							
51	2	171353-61710	SPRING, GOVERNOR	1							
52	2	26687-120002	NUT, CAP M12	1							

Fig.16. ENGINE STOPPING DEVICE



(A)=3TN84L-RYB
(B)=
(C)=

(D)=
(E)=
(F)=

No.	Lev.	Parts No.	Description	Q'ty						I	R
				(A)	(B)	(C)	(D)	(E)	(F)		
1	1	129136-66800	MOTOR ASSY, STOP	1							
2	2	129107-66830	SPRING, STOP MOTOR	1							
3	2	129566-66880	RING, SNAP	1							
4	2	129566-66890	WASHER	1							
5	1	129107-66810	BRACKET, STOP MOTOR	1							
6	1	129107-66820	BRACKET, STOP MOTOR	1							
7	1	22117-080000	WASHER, 8	1							
8	1	22360-080000	SNAP PIN 8	1							
9	1	26106-080122	BOLT, M8X 12 PLATED	2							
10	1	26106-080122	BOLT, M8X 12 PLATED	2							
11	1	26116-050102	BOLT, M5X 10 PLATED	3							

Fig.17. STARTING MOTOR

(A)=3TN84L-RYB

(B)=

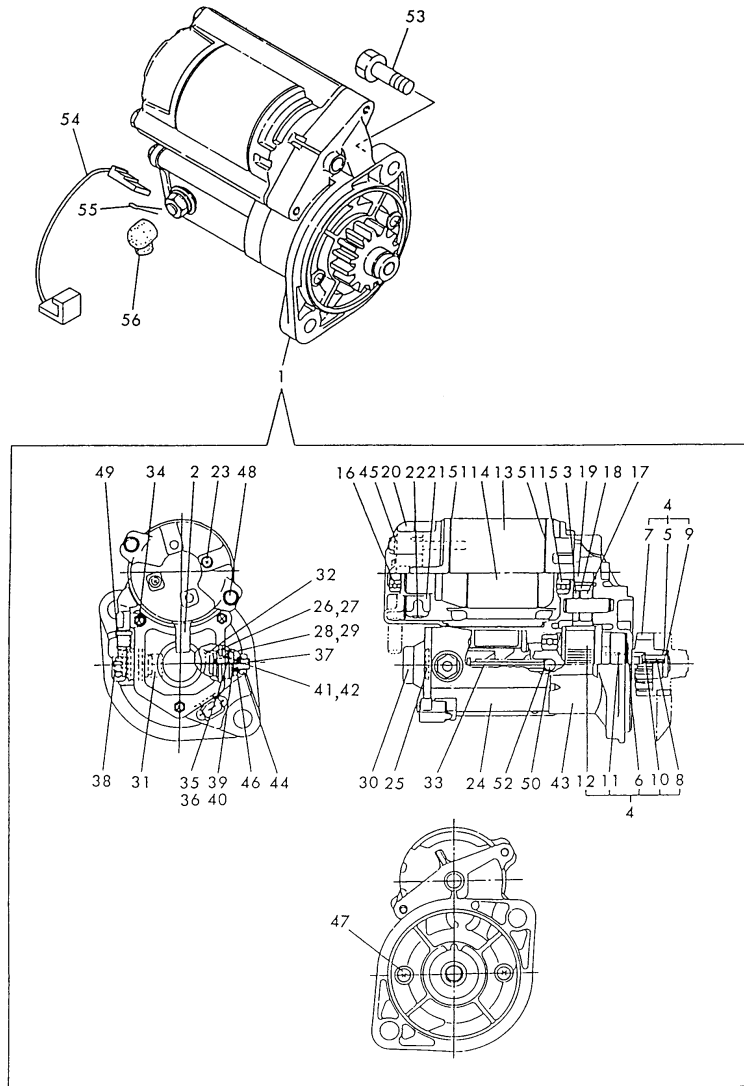
(C)=

(D)=

(E)=

(F)=

D19840-77100
D29132-77700
D29132-93070



No.	Lev.	Parts No.	Description	Q'ty						I	R
				(A)	(B)	(C)	(D)	(E)	(F)		
1	1	121120-77011	STARTER	1							
2	2	X0280620480	COVER	1							
3	2	X0280630011	RETAINER	1							
4	2	X0280992381	CLUTCH KIT	1							
5	3	X0280210230	NUT	1							
6	3	X0283270140	RETAINER	1							
7	3	X0283711770	PINION	1							
8	3	X0283810040	SHAFT	1							
9	3	X9490721080	RING	1							
10	3	X9491703371	SPRING, COIL	1							
11	3	X9491704260	SPRING	1							
12	3	121120-77930	CASE ASSY, STARTER	1							
13	2	X0281003770	YOKE ASSY	1							
14	2	X0282002320	HOUSING ASSY	1							
15	3	X9491002590	BALL BEARING	1							
16	3	X9491002760	BALL BEARING	1							
17	2	X0283060061	ROLLER	5							
18	2	X0283711420	PINION	1							
19	2	X0283712360	PINION	1							
20	2	X0285011600	FRAME	1							
21	2	X0285100750	HOLDER ASSY, BRUSH	1							
22	3	X9491730461	SPRING	1							
23	2	X0289030010	SCREW	2							
24	2	X0534006470	SWITCH ASSY, MAGNET.	1							
25	3	X0534040320	GASKET	1							
26	3	X0534490120	BUSH	1							
27	3	X0534490120	BUSH	1							
28	3	X0534490230	BUSH	1							
29	3	X0534490230	BUSH	1							
30	3	X0535050620	COVER	1							
31	3	X0535130241	PLATE (B)	1							
32	3	X0535130320	PLATE (A)	1							
33	3	X0536600401	PLUNGER	1							
34	3	X9151005141	BOLT W/WASHER	3							
35	3	X9490170900	WASHER	1							
36	3	X9490170900	WASHER	1							
37	3	X9490441303	BOLT	1							
38	3	X9490441312	BOLT	1							
39	3	X9490502820	NUT	1							
40	3	X9490502820	NUT	1							
41	3	X9491402100	O-RING	1							
42	3	X9491402100	O-RING	1							
43	2	X1284000710	HOUSING	1							
44	2	X9019008651	NUT	1							
45	2	X9025806001	WASHER	2							
46	2	X9025808001	WASHER	1							
47	2	X9490071970	SCREW W/WASHER	2							
48	2	X9490422570	BOLT	2							
49	2	X9490561370	NUT	1							
50	2	X9491200240	BALL	1							
51	2	X9491403700	O-RING	2							

Fig.17. STARTING MOTOR

(A)=3TN84L-RYB
 (B)=
 (C)=

(D)=
 (E)=
 (F)=

D19840-77100
 D29132-77700
 D29132-93070

No.	Lev.	Parts No.	Description	Q'ty						I	R
				(A)	(B)	(C)	(D)	(E)	(F)		
52	2	X9491703380	SPRING	1							
53	1	26116-120252	BOLT, M12X 25 PLATED	2							
54	1	119006-77900	CONNECTOR, STARTER	1							
55	1	22411-200250	COTTER PIN 2.0X25	1							
56	1	124550-77030	COVER, TERMINAL	1							

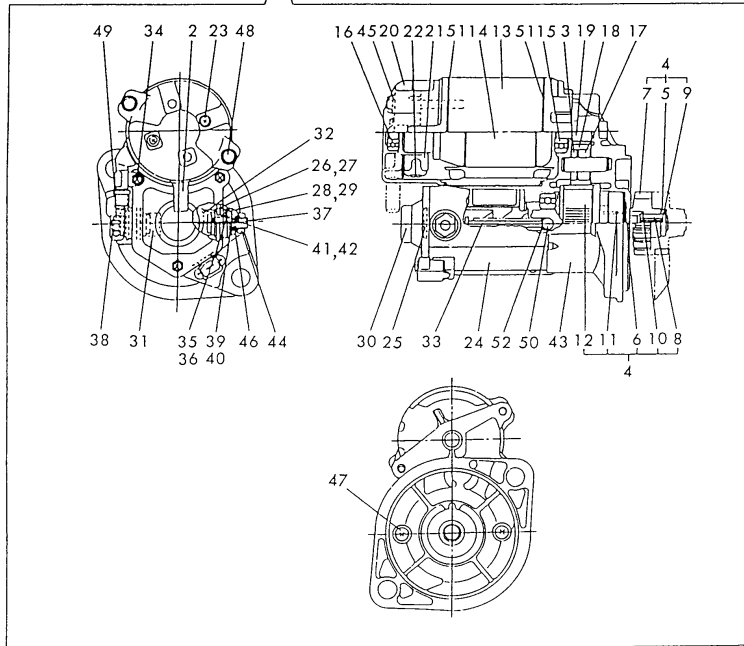
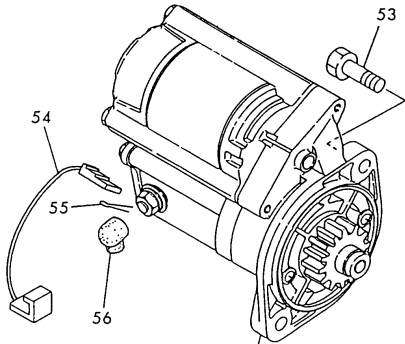


Fig.18. GENERATOR

(A)=3TN84L-RYB

(B)=

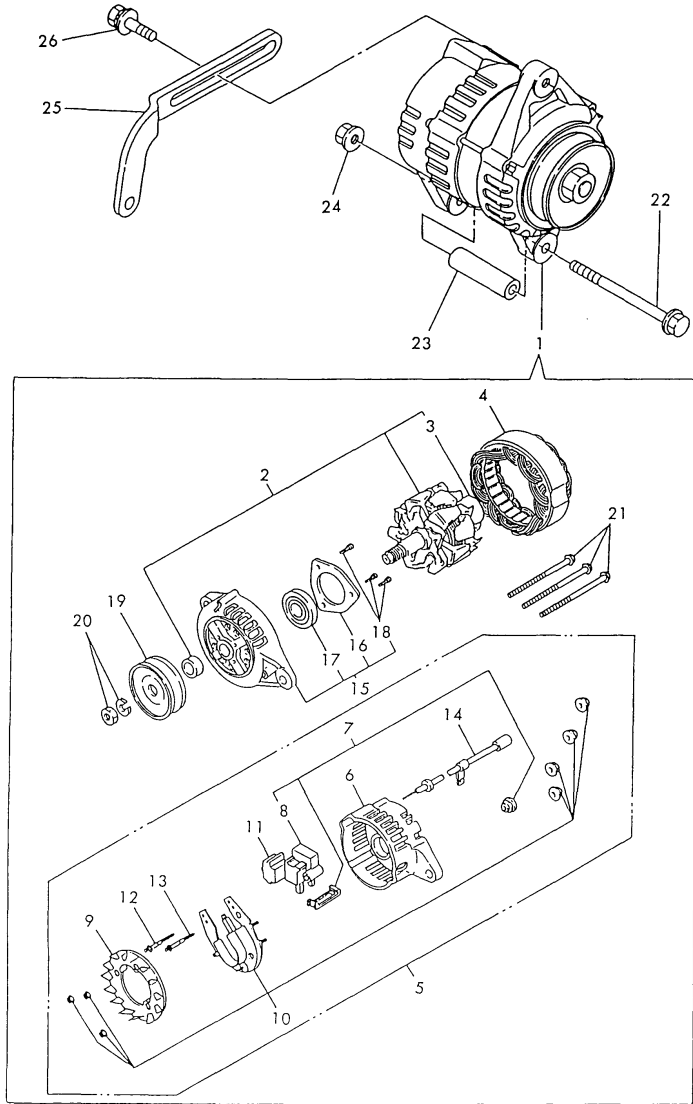
(C)=

(D)=

(E)=

(F)=

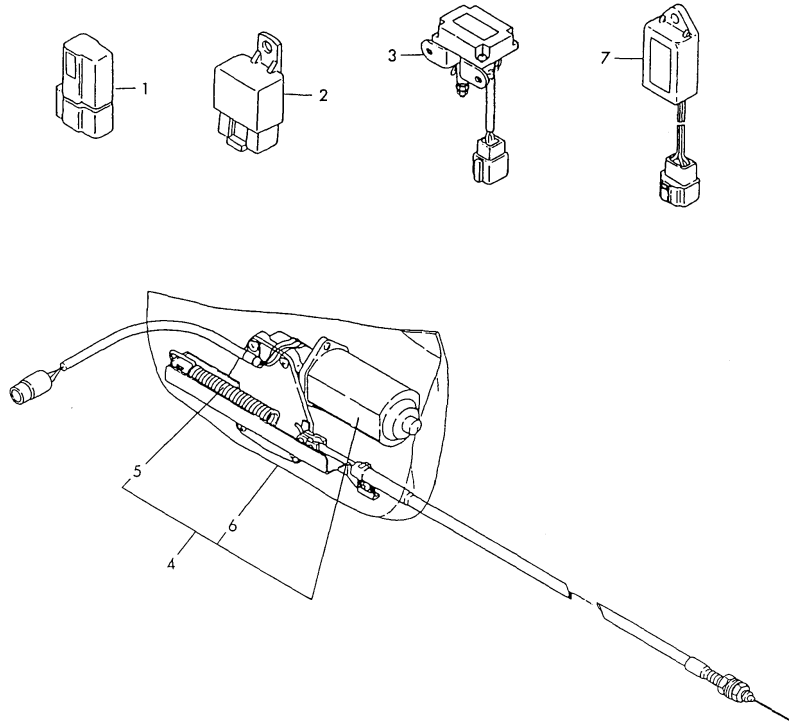
D19836-77200
D29100-77310



No.	Lev.	Parts No.	Description	Q'ty						I	R
				(A)	(B)	(C)	(D)	(E)	(F)		
1	1	119836-77200	GENERATOR	1							
2	2	119836-77700	ROTOR ASSY	1							
3	3	119836-77850	BALL BEARING	1							
4	2	119836-77710	STARTER ASSY	1							
5	2	119836-77721	COVER ASSY, REAR	1							
6	3	119836-77730	COVER, REAR	1							
7	3	119836-77741	BRUSH ASSY,REGULATOR	1							
8	4	119836-77750	BRUSH ASSY	1							
9	3	119836-77760	GUIDE, FAN SIDE	1							
10	3	119836-77770	DIODE ASSY	1							
11	3	119836-77780	CONDENSER	1							
12	3	119836-77871	BOLT (1)	1							
13	3	119836-77880	BOLT (2)	1							
14	3	119836-77890	WIRE ASSY, LEAD	1							
15	2	119836-77790	COVER ASSY, FRONT	1							
16	3	119836-77800	RETAINER, BEARING	1							
17	3	119836-77840	BALL BEARING	1							
18	3	119836-77860	SCREW KID	1							
19	2	119836-77810	PULLEY	1							
20	2	119836-77820	NUT ASSY, PULLEY	1							
21	2	119836-77830	BOLT, THROUGH	1							
22	1	129136-77250	BOLT M 8X105	1							
23	1	119820-77340	PIECE, DISTANCE	1							
24	1	26366-080002	NUT, M8	1							
25	1	129100-77330	ADJUSTER	1							
26	1	26014-080252	BOLT, M8X 25	1							

Fig.19. ELECTRIC PART

029132-93070



(A)=3TN84L-RYB
(B)=
(C)=

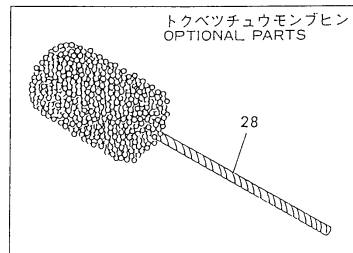
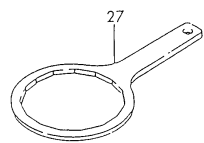
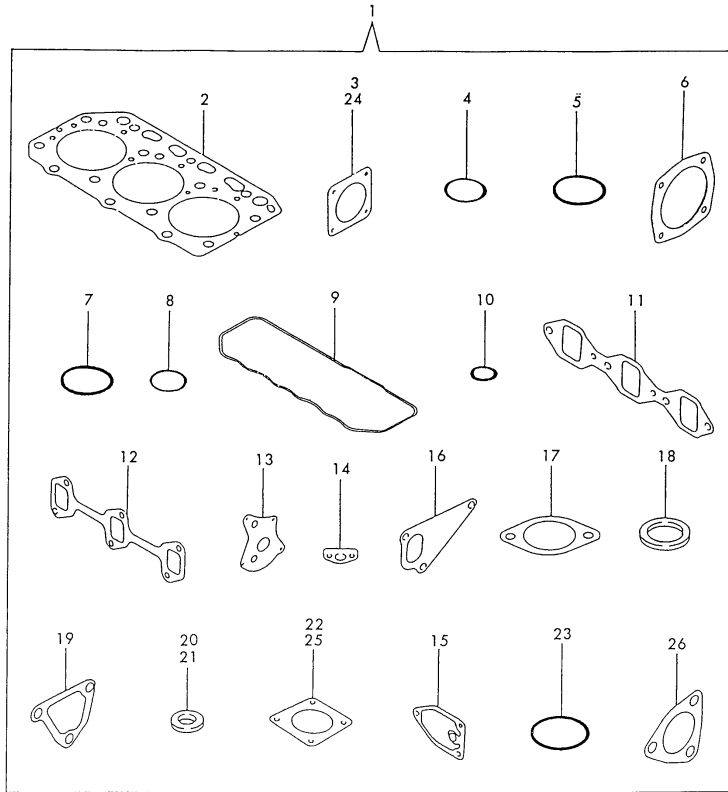
(D)=
(E)=
(F)=

No.	Lev.	Parts No.	Description	Q'ty						I	R
				(A)	(B)	(C)	(D)	(E)	(F)		
1	1	119643-66900	DIODE	2							
2	1	119247-77100	RELAY, SAFETY	1							
3	1	129136-77100	RELAY, SAFETY	1							
4	1	119032-77910	MOTOR ASSY	1							
5	2	121575-77980	SPRING	1							
6	2	121575-77960	COVER	1							
7	1	128300-77920	TIMER	1							Z

(A=E34902)

Fig.20. GASKET SET & TOOL

029132-93070



No.	Lev.	Parts No.	Description	Q'ty						I	R
				(A)	(B)	(C)	(D)	(E)	(F)		
1	1	729132-92601	GASKET SET	1							
1-1	1	729132-92602	GASKET SET	1							N
(A=E27028)											
2	2	129157-01332	GASKET, HEAD	1							
3	2	124240-01883	GASKET	2							
3-1	2	124240-01883	GASKET	3							K
(A=E27028)											
4	2	121850-51960	O-RING	1							
5	2	24311-000320	O-RING, 1AP32.0	1							
6	2	129150-01880	GASKET	2							
6-1	2	129150-01881	GASKET	1							N
(A=E27739)											
7	2	24341-000500	O-RING, 1AS50.0	1							
8	2	24311-000320	O-RING, 1AP32.0	1							
9	2	129150-11310	GASKET, BONNET	1							
10	2	24311-000120	O-RING, 1AP12.0	3							
11	2	129150-12110	GASKET, MANIFOLD	1							
11-1	2	129150-12111	GASKET, MANIFOLD	1							N
(A=E27739)											
12	2	129150-13110	GASKET	1							
13	2	129150-32020	GASKET, PUMP	1							
14	2	129150-35040	GASKET	1							
14-1	2	129150-35041	GASKET	1							N
(A=E27739)											
15	2	129150-35110	GASKET	1							
15-1	2	129150-35111	GASKET	1							N
(A=E27739)											
16	2	129100-42020	GASKET, WATER PUMP	1							
17	2	129795-49550	GASKET	1							
17-1	2	129795-49551	GASKET	1							N
(A=E27739)											
18	2	129150-49810	GASKET, THERMOSTAT	1							
18-1	2	129150-49811	GASKET, THERMOSTAT	1							N
(A=E27739)											
19	2	129100-49840	GASKET	1							
20	2	124465-44950	GASKET, 16	2							
21	2	129150-49360	GASKET	1							
22	2	129150-77510	GASKET	1							
22-1	2	129150-77511	GASKET	1							N
(A=E27739)											
23	2	24341-000240	O-RING, 1AS24.0	1							
24	2	124240-01883	GASKET	1							
25	2	124701-11910	GASKET, SILENCER	2							
25-1	2	124701-11911	GASKET, SILENCER	2							N
(A=E27739)											
26	2	103954-13200	GASKET, SILENCER	1							
27	1	171301-92750	WRENCH, L.O. FILTER	1							
28	1	129400-92420	FLEX HORN	1							1

Remarks
(1) OPTIONAL PART.

Parts No. Index

Parts No.	Fig. No.	Ref. No.
101304-59020	14	2
101720-55750	14	25
102103-55520	14	21
103338-11190	4	12
103854-39140	14	1
103954-13200	6	8
	20	26
104200-55321	14	17
		32
104200-55330	14	18
		33
104200-55341	14	19
104200-55750	14	26
		39
104200-59170	14	3
105025-59750	14	14 -1
110250-55610	14	22
114250-53080	13	3
114250-53120	13	5
114250-53130	13	6
114250-53140	13	7
114250-53210	13	8
114250-53400	13	9
119006-77900	17	54
119032-77910	19	4
119225-52102	14	15
119247-77100	19	2
119620-01750	3	8
119625-11870	4	27
119625-11880	4	28
119625-11900	4	29
119640-12580	5	11
119643-66900	19	1
119810-51040	12	2
119820-77340	18	23
119836-77200	18	1
119836-77700	18	2
119836-77710	18	4
119836-77721	18	5
119836-77730	18	6
119836-77741	18	7
119836-77750	18	8
119836-77760	18	9
119836-77770	18	10
119836-77780	18	11
119836-77790	18	15
119836-77800	18	16
119836-77810	18	19
119836-77820	18	20
119836-77830	18	21

Parts No.	Fig. No.	Ref. No.
119836-77840	18	17
119836-77850	18	3
119836-77860	18	18
119836-77871	18	12
119836-77880	18	13
119836-77890	18	14
119840-12210	5	1
119840-59560	14	6
119840-59570	14	7
119840-59601	14	30
119860-49010	10	29
119860-49020	10	30
119865-21600	8	10
119865-35300	9	12
119865-42290	10	6
120130-11860	4	32
121023-01550	2	21
121100-22400	8	15
121111-21501	8	8
121120-12531	5	3
121120-12541	5	4
121120-12561	5	5
121120-12571	5	6
121120-12901	5	7
121120-77011	17	1
121120-77930	17	12
121250-44590	10	19 D
121250-44901	10	16
121250-59550	14	5
121256-44600	10	27
121257-55720	14	23
121257-55731	14	24
121262-12800	5	8
121400-11340	4	13
121450-01560	2	3
121450-44531	10	21
121470-44581	10	23
121520-34810	9	4
121520-44740	10	8
121550-23200	8	19
121550-49111	10	11
121575-77960	19	6
121575-77980	19	5
121850-11860	4	3
	10	1
121850-21680	8	7
121850-51960	2	9
	20	4
122117-51560	12	34
122710-51090	12	5

Parts No.	Fig. No.	Ref. No.
123682-44210	10	19
124064-55510	14	20
124066-59100	14	4
		43
124160-01751	2	4
	4	58
124160-01910	1	2
124160-11360	4	47
124160-39140	9	16
124160-39450	9	17
124240-01871	2	6
		25
		32
124240-01883	2	7
		7 -1
		33
	20	3
		3 -1
		24
124450-44550	10	25
124450-44560	10	22
124460-11340	4	14
124465-44950	10	17
	20	20
124550-51350	12	20
124550-51370	12	21
124550-59820	9	19
124550-66370	15	31
124550-77030	17	56
124574-44761	10	9
124701-11910	6	7
	20	25
124701-11911	6	7 -1
	20	25 -1
124736-07900	4	36
124766-59050	14	11
		13
124770-11770	11	4
124950-51190	12	10
128170-51300	12	17
128300-77920	19	7
129100-01520	2	2
129100-01580	3	1
		5
	8	4 B
		11
129100-01590	2	1
129100-01640	3	6
129100-01730	3	15
129100-01790	3	14

Parts No.	Fig. No.	Ref. No.
129100-11100	4	8
129100-11110	4	9
129100-11350	4	38 -1
129100-23910	8	21
129100-25061	7	6
129100-42001	10	2
129100-42002	10	2 -1
129100-42020	10	4
	20	16
129100-49050	10	12
129100-49800	11	3
129100-49820	11	5
129100-49830	11	6
129100-49840	11	11
	20	19
129100-52200	12	60
129100-55621	14	31
129100-55650	14	34
129100-55670	14	35
129100-55680	14	36
129100-55690	14	37
129100-55700	14	38
129100-59910	13	13
129100-59920	13	14
129100-59930	13	15
129100-59951	14	9
129100-61400	15	14
129100-61440	15	16
129100-61650	15	25
129100-61821	15	28
129100-77330	18	25
129105-22080	8	12
129105-22500	8	13
129107-66810	16	5
129107-66820	16	6
129107-66830	16	2
129114-44740	10	8 -1
129116-21650	8	5 -1
129120-77501	5	25
129122-12100	5	22
129128-21590	8	9
129129-14580	7	1
129132-12210	5	21
129132-12230	5	21 -1
129132-12520	5	2
129132-12530	5	2 -1
129132-12561	5	10
129132-12581	5	9
129132-12800	5	12
129132-12810	5	14

Parts No. Index

Parts No.	Fig. No.	Ref. No.
129132-12860	5	13
129132-12890	5	15
129132-12900	5	16
129132-13510	6	9
129132-44500	10	18
129132-44520	10	19 B
129132-44530	10	19 C
129132-44590	10	26
129132-44900	10	28
129132-44901	10	28 -1
129132-61550	15	49
129136-66800	16	1
129136-77100	19	3
129136-77250	18	22
129150-01200	1	14
129150-01580	2	24
129150-01880	2	26
	20	6
129150-01881	2	26 -1
	20	6 -1
129150-02020	1	8
129150-02450	1	12
	7	2 A
129150-02800	1	9
129150-02870	1	16
129150-02930	1	10
129150-02940	1	17
129150-03020	4	42
129150-03070	4	44
129150-03080	4	43
129150-03100	2	36
	4	34
129150-11230	4	25
129150-11280	4	20
129150-11290	4	21
129150-11310	4	41
	20	9
129150-11370	4	15
129150-11750	4	24
129150-11810	4	33
129150-12110	5	23
	20	11
129150-12111	5	23 -1
	20	11 -1
129150-13110	6	2
	20	12
129150-14101	7	2
129150-14200	7	3
129150-14400	7	4
129150-21200	8	2

Parts No.	Fig. No.	Ref. No.
129150-22300	8	14
129150-23600	8	20
129150-23610	8	22
129150-25101	7	7
129150-25900	12	61
129150-26000	2	27
129150-26050	2	28
129150-32000	9	1
129150-32020	9	2
	20	13
129150-35040	9	6
	20	14
129150-35041	9	6 -1
	20	14 -1
129150-35091	9	7
129150-35101	9	9
129150-35110	9	10
	20	15
129150-35111	9	10 -1
	20	15 -1
129150-35150	9	11
129150-35350	9	13
129150-39450	9	18
129150-49080	10	32
129150-49100	10	31
129150-49360	10	14
	20	21
129150-49810	11	10
	20	18
129150-49811	11	10 -1
	20	18 -1
129150-59120	13	10
129150-59130	13	11
129150-59580	14	8
		44
129150-77510	5	26
	20	22
129150-77511	5	26 -1
	20	22 -1
129155-11241	4	17
129155-11260	4	18
129155-11270	4	19
129155-42350	10	7 -1
129155-49800	11	9
129155-51020	12	55
129155-51050	12	3
129155-51060	12	4
129155-51140	12	7
129155-51180	12	9
129155-51200	12	11

Parts No.	Fig. No.	Ref. No.
129155-51270	12	15
129155-51280	12	16
	15	2
129155-51320	12	18
129155-51340	12	19
129155-51370	12	22
129155-51380	12	23
129155-51390	12	24
129155-51400	12	25
129155-51410	12	26
129155-51420	12	27
129155-51450	12	28
129155-51500	12	29
129155-51521	12	30
129155-51530	12	31
129155-51540	12	32
129155-51550	12	33
129155-51570	12	36
129155-51580	12	37
129155-51591	12	38
129155-51600	12	39
129155-51700	12	40
129155-51710	12	41
129155-51750	12	42
129155-51760	12	43
129155-51790	12	44
129155-51930	12	46
129155-51940	12	47
129155-52050	12	59
129155-61050	15	4
129155-61060	15	5
129155-61070	15	6
129155-61120	15	7
129155-61130	15	8
129155-61140	15	9
129155-61201	15	10
129155-61341	15	11
129155-61350	15	12
129155-61360	15	13
129155-61430	15	15
129155-61450	15	17
129155-61460	15	18
129155-61470	15	48
129155-61480	15	19
129155-61490	15	20
129155-61540	15	24
129155-61590	15	50
129155-61810	15	27
129155-61830	15	29
129155-61950	15	30

Parts No.	Fig. No.	Ref. No.
129156-51910	12	45
129157-01332	1	15
	20	2
129255-59580	14	14
129255-61802	15	26
129335-55700	14	16
129350-44760	10	9 -1
129350-49530	11	1
129400-51100	12	6
129400-92420	20	28
129415-12520	5	8 A
129500-61500	15	21
129500-61501	15	21 -1
129503-53000	13	2
129555-59510	14	12
129556-42350	10	7
129566-66880	16	3
129566-66890	16	4
129795-01780	3	7
129795-01800	2	1 B
		5
129795-01950	2	8
129795-02411	1	11
129795-11120	4	10
129795-11180	4	11
129795-21661	8	6
129795-49550	11	2
	20	17
129795-49551	11	2 -1
	20	17 -1
171051-01921	1	3
171056-49351	10	15
171064-44510	10	20
171081-55910	14	27
171301-01600	3	2
171301-01640	3	12
171301-92750	20	27
171340-21650	8	5
171350-03090	4	35
171350-13100	6	1
171353-61710	15	51
171420-34800	9	5
174307-51170	12	8
174307-51560	12	35
174307-51700	15	22
194990-22050	2	31 -1
	6	3
22117-040000	15	32
22117-080000	16	7
22217-060000	12	48

Parts No. Index

Parts No.	Fig. No.	Ref. No.
22217-120000	12	62
22272-000040	15	33
22272-000060	15	34
22287-120000	15	35
22351-030016	15	36
22351-040010	8	3
		23
22351-050010	12	49
22351-060012	4	16
22360-040000	15	37
22360-080000	16	8
22372-040000	15	37 -1
22411-200250	17	55
22512-070140	7	2 B
		5
	8	4
23000-016000	10	13
23000-060000	5	17
23065-070225	10	24
23414-080000	9	20
23414-100000	9	21
23414-120000	14	10
23418-060000	14	28
23871-010000	1	4
23871-030000	4	4
	10	3
	11	7
23887-100002	15	38
24101-060064	2	29
24101-063034	12	50
24311-000120	4	48
	20	10
24311-000160	2	10
	9	14
	14	40
24311-000320	2	11
	4	59
	20	5
		8
24311-240100	14	29
		41
	15	39
24321-000650	14	42
24341-000160	12	51
24341-000240	2	22
	3	13
	20	23
24341-000500	4	45
	20	7
26014-060162	10	10 -1

Parts No.	Fig. No.	Ref. No.
26014-060202	10	10 -2
26014-060302	10	10
26014-080162	10	19 E
26014-080252	18	26
26014-080702	14	45
26022-050102	12	52
	15	40
		40 -1
26022-060162	12	53
26023-050102	15	40 A
26106-060122	2	23
26106-060142	5	18
26106-060202	15	41
26106-080122	2	12
	16	9
		10
26106-080142	4	37
	5	19
26106-080162	1	13
	2	13
		14
		34
	3	18
	4	46
26106-080202	9	15
	11	12
26106-080252	3	16
	4	30
	5	20
		24
	11	13
26106-080302	2	30
		30 -1
	3	9
26106-080352	3	10
	5	27
	9	8
26106-080452	2	15
	3	17
	7	9
26106-080502	3	19
	4	31
	11	14
26106-080552	2	16
26106-080602	10	5
	11	15
26106-080802	6	4
26106-080852	2	17
26116-050102	16	11
26116-050302	12	54

Parts No.	Fig. No.	Ref. No.
26116-060162	11	8
26116-120252	17	53
26206-100252	3	3
26206-100302	3	4
26216-060202	4	5
26216-080222	6	5
26216-080402	2	37
26216-080802	6	6
26226-080182	4	26
26366-060002	4	2
26366-080002	2	18
		31
	15	42
	18	24
26450-060252	9	3
26687-120002	15	52
26716-060002	12	56
26716-120002	12	63
26756-060002	15	43
26776-120002	15	44
27231-500000	1	5
27241-120000	1	6
27241-220000	4	6
27241-300000	1	7
27241-400000	4	7
27310-080001	4	12 -1
43400-500390	15	45
43400-500410	2	19
		20
		35
43400-500430	15	46
43400-500450	15	47
43400-500490	12	57
729100-01540	3	11
729102-01540	3	11 -1
729102-11700	4	1
729102-21700	8	1
729105-22900	8	16
729105-51370	12	1
729132-11520	4	38
729132-92601	20	1
729132-92602	20	1 -1
729150-11651	4	23
729150-23700	8	18
729157-01560	1	1
729157-22951	8	17
729402-11650	4	23 -1
729402-23100	8	18 -1
729503-53100	13	1
X0280210230	17	5

Parts No.	Fig. No.	Ref. No.
X0280620480	17	2
X0280630011	17	3
X0280992381	17	4
X0281003770	17	13
X0282002320	17	14
X0283060061	17	17
X0283270140	17	6
X0283711420	17	18
X0283711770	17	7
X0283712360	17	19
X0283810040	17	8
X0285011600	17	20
X0285100750	17	21
X0289030010	17	23
X0534006470	17	24
X0534040320	17	25
X0534490120	17	26
		27
X0534490230	17	28
		29
X0535050620	17	30
X0535130241	17	31
X0535130320	17	32
X0536600401	17	33
X1284000710	17	43
X9019008651	17	44
X9025806001	17	45
X9025808001	17	46
X9151005141	17	34
X9490071970	17	47
X9490170900	17	35
		36
X9490422570	17	48
X9490441303	17	37
X9490441312	17	38
X9490502820	17	39
		40
X9490561370	17	49
X9490721080	17	9
X9491002590	17	15
X9491002760	17	16
X9491200240	17	50
X9491402100	17	41
		42
X9491403700	17	51
X9491703371	17	10
X9491703380	17	52
X9491704260	17	11
X9491730461	17	22