

OCD10-M32602EN

PREFACE

1. This Parts Catalog is the 1st edition of 4TN100L-FB Diesel Engine for FURUKAWA KIKAI.

Pub. No. : 000Y00D3262

Published : January, 1992

2. Model name

Engine model	Vehicle		Vehicle made by
	Products	Model name	
4TN100L-FB	WHEEL LOADER	—	FURUKAWA KIKAI

Directions for the Parts Catalog.

1. The parts stipulated in this Parts Catalog are not necessarily standard equipped parts.
2. Parts may change without prior notice.
3. The following is an example of the Parts Catalog format.

REF.	LEV.	PARTS NO.	DESCRIPTION	Q'TY						I	R
				(A)	(B)	(C)	(D)	(E)	(F)		
1	1	729595-51390	FUEL INJECTION PUMP	1	1	1	1	1			1
1-1	1	729595-51391	FUEL INJECTION PUMP	1	1	1	1	1		N	1
		(A=E00185) (B=E00200)									
3	2	26022-060162	SCREW M 6X 16	9	9	9	9	9			
3-1	2	26022-060162	SCREW M 6X 16	4	4	4	4	4		K	
		(A=E00156) (B=E00156) (C=E00156) (D=E00156) (E=E00156)									
4	2	129470-51040	CAMSHAFT	1	1	1	1	1			
5	2	122710-51050	BEARING, ROLLER	2	2	2	2	2			
6	2	129470-51060	RETAINER	1	1	1	1	1			

Remarks
(1) BOOST COMPEMSATOR TYPE. OPTIONAL PART, TO E00155,(4JH-DT, 4JH-DTZ

① Ref. No.

The Ref. No. listed may not be in accordance with the illustration Ref. No.

(Ex.) Illustration No.

List Ref No.

1

1

(Before change)

1-1

(After change)

For interchangeable symbols N, R and K, illustrations for new parts may be abbreviated.

② Lev. (Level)

Level indication

The numbers below indicate the level of relativity towards the main part.

1 ----- Main parts (Assembly parts)

2 ----- Sub component included in " 1 ".

3 ----- Sub component included in " 2 ".

Note) Parts that are not for sale are partially illustrated but not listed.

③ Interchangeability Mark

When a part change takes place, one of the following interchangeability symbols is indicated beside the part.

Symbol	Interchangeability	Contents note
N	Old $\begin{matrix} \leftarrow \text{Yes} \\ \text{No} \rightarrow \end{matrix}$ New	New Part is interchangeable for Old Part but Old Part is not interchangeable for New Part.
Q	Old $\begin{matrix} \leftarrow \text{No} \\ \text{Yes} \rightarrow \end{matrix}$ New	New Part is not interchangeable for Old Part but Old Part is interchangeable for New Part.
R	Old $\begin{matrix} \leftarrow \text{Yes} \\ \text{Yes} \rightarrow \end{matrix}$ New	New/ Old Parts are both interchangeable.
S	Old $\begin{matrix} \leftarrow \text{No} \\ \text{No} \rightarrow \end{matrix}$ New	New/ Old Parts are both not interchangeable.
W		Part newly added.
Z		Part discontinued.
F		Not interchangeable by a single part but interchangeable together with related parts.
K		Changes only for used parts quantities.

④ Effective Machine No.

When a part changes, the effective Machine No. will be indicated in the (A)-(F) column.

Product Symbol	Product No.	Product Symbol	Product No.
C	Clutch No. Compressor No.	F	Machine No. (Agricultural Equip.)
D	Drive No.	M	Machine No.
E	Engine No.	Note 1)	Date

Note 1) A date may follow the symbol. (Ex.) 1996.01

Note 2) " XXX " are for parts that could not be predicted or for engine models that could not be identified.

Note 3) (A=E00185) is the E (Engine Serial Number) for the column (A) model (in this case 4JH-DT) after the parts design change.

⑤ Remarks Mark

Figures or alphabets (symbols) are entered in the remarks column.

The comments (remarks) on parts that are indicated at the bottom of the illustration are the same symbols as those stated above.

Contents

Fig. No.	Fig. Name	Fig. No.	Fig. Name
ENGINE 4TN100L-FB			
1.	CYLINDER BLOCK		
2.	GEAR HOUSING		
3.	OIL SEAL HOUSING		
4.	LUB. OIL SUMP		
5.	BONNET		
6.	CYLINDER HEAD		
7.	SUC. & EXH. MANIFOLD		
8.	CAMSHAFT & IDLE GEAR		
9.	CRANKSHAFT & PISTON		
10.	COOLING WATER PUMP		
11.	OIL COOLER HOUSING		
12.	FUEL INJECTION PUMP		
13.	COVERNOR		
14.	FEED PUMP		
15.	FUEL INJECT.VALVE & FUEL PIPES		
16.	FUEL PIPES		
17.	STARTING MOTOR		
18.	GENERATOR		
19.	GASKET SET(CYLINDER BLOCK)		
20.	GASKET SET(CYLINDER HEAD)		
21.	ACCESSARY PARTS		

Fig.1. CYLINDER BLOCK

(A)=4TN100L-FB

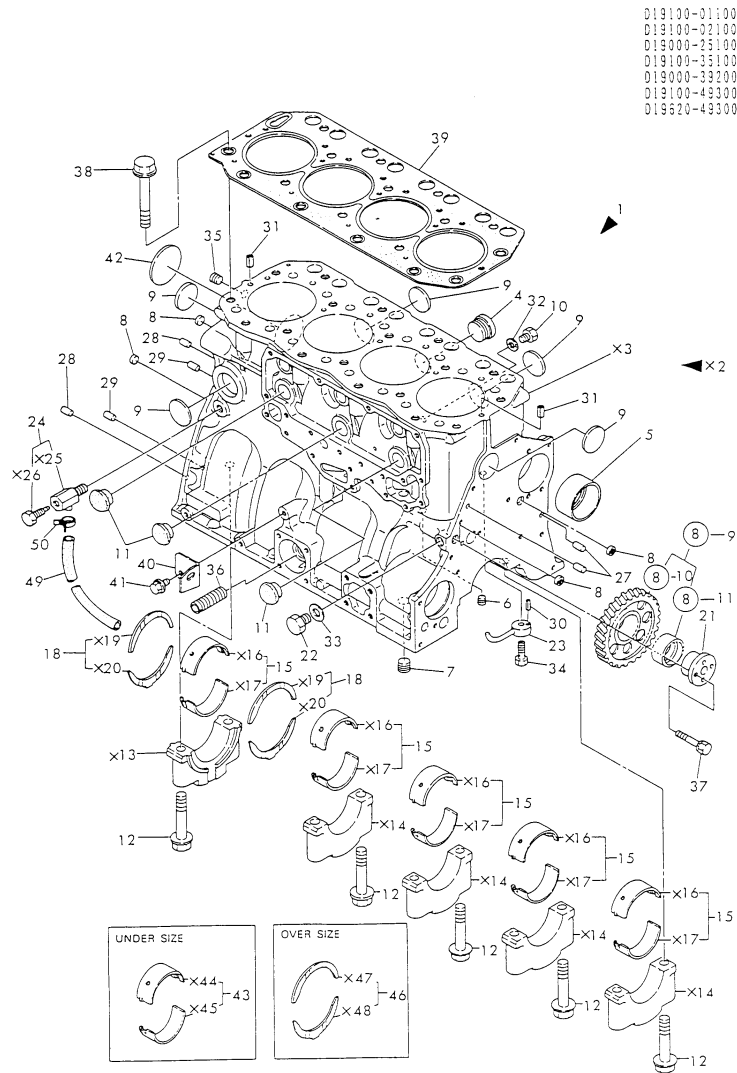
(B)=

(C)=

(D)=

(E)=

(F)=



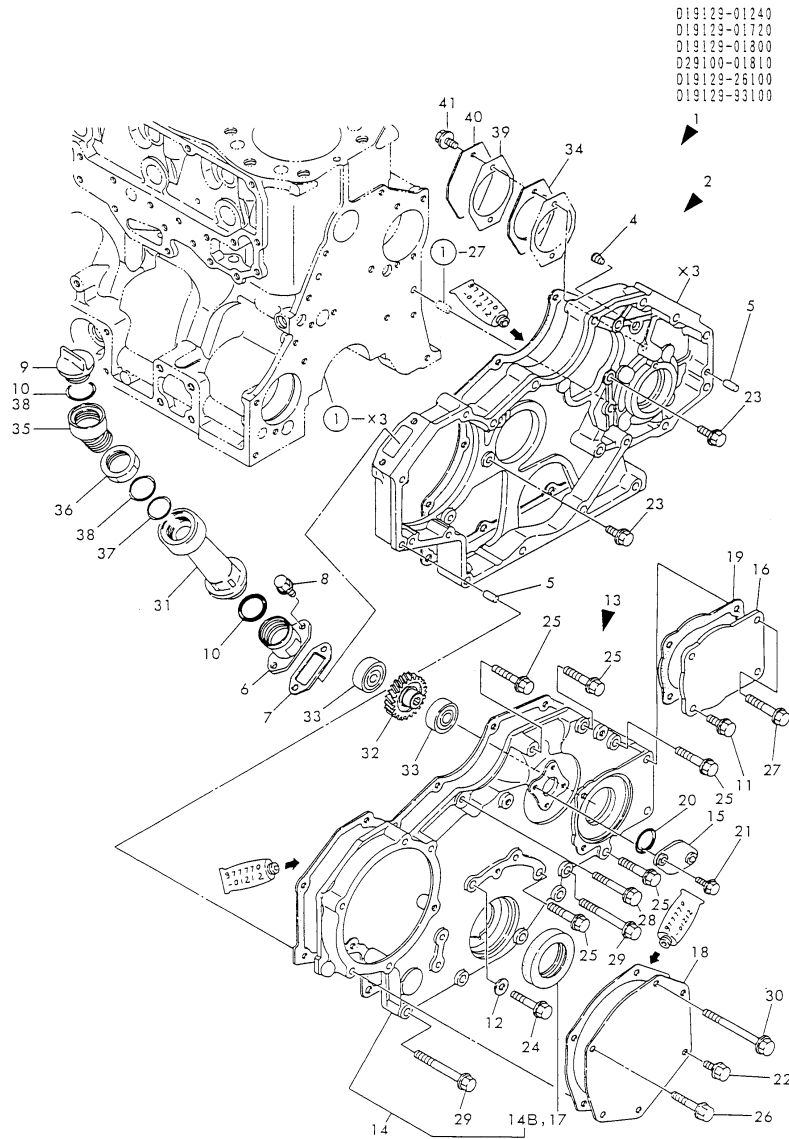
X印部品は単品販売致しません
 X-MARK PARTS : NOT SOLD SEPARATELY

No.	Lev.	Parts No.	Description	Q'ty						I	R
				(A)	(B)	(C)	(D)	(E)	(F)		
1	1	719129-01560	BLOCK ASSY, CYLINDER	1							
4	3	171051-01921	PLUG, NPTF1	1							
5	3	119000-02410	BUSH, CAMSHAFT	1							
6	3	23871-010000	PLUG, R01	1							
7	3	23871-030000	PLUG, R03	1							
8	3	27241-140000	PLUG, 14	4							
9	3	27241-400000	PLUG, 40	5							
10	2	135400-01790	PLUG	1							
11	2	119000-01840	PLUG, RUBBER	3							
12	2	119000-02020	BOLT, METAL CAP	10							
15	2	719000-02800	BEARING, MAIN	5							
18	2	719000-02930	BEARING, THRUST	2							
21	2	119000-25050	SHAFT, IDLE GEAR	1							
22	2	135602-34390	RETAINER	1							
23	2	119000-39650	NOZZLE	4							
24	2	119620-49290	COCK ASSY, 1/4	1							
27	2	129100-01580	PIN, M8X16	2							
28	2	129100-01580	PIN, M8X16	2							
29	2	129100-01580	PIN, M8X16	2							
30	2	22351-030010	PIN, SPRING 3.0X10	4							
31	2	22351-080016	PIN, SPRING 8.0X16	2							
32	2	23414-100000	GASKET, 10X1.0	1							
33	2	23414-140000	GASKET, 14X1.0	1							
34	2	23857-030000	BOLT, JOINT 3	4							
35	2	23871-020000	PLUG, R02	1							
36	2	119000-35140	BOLT, FILTER	1							
37	2	26013-080452	BOLT, M8X 45	2							
38	1	119000-01200	BOLT, HEAD	18							
39	1	119100-01310	GASKET, HEAD T=1.3	1							\$
39-1	1	119100-01340	GASKET, HEAD T=1.3	1							N \$
(A=E01723)											
40	1	119100-01980	RETAINER, PUMP	1							
41	1	26106-080162	BOLT, M8X 16 PLATED	2							
42	1	27231-600000	PLUG, 60	1							
43	1	719000-02870	BEARING, 0.25 US	5							1
46	1	719000-02940	BEARING, THRUST 0.25	2							2
49	1	124766-49160	PIPE, WATER DRAIN	1							
50	1	124766-59050	CLIP, HOSE 12	1							

Remarks

- (1) UNDER-SIZE(U.S=0.25)PART.
- (2) OVER-SIZE(O.S=0.25)PART.
- (3) THESE PARTS ARE SOLD BY FIG.20, REF.NO.1,1-1,1-2.

Fig.2. GEAR HOUSING



D19123-01240
 D19123-01720
 D19123-01800
 D29109-01810
 D19129-25109
 D19129-33109

×印部品ハ単品販売致シマセン
 ×MARK PARTS : NOT SOLD SEPARATELY

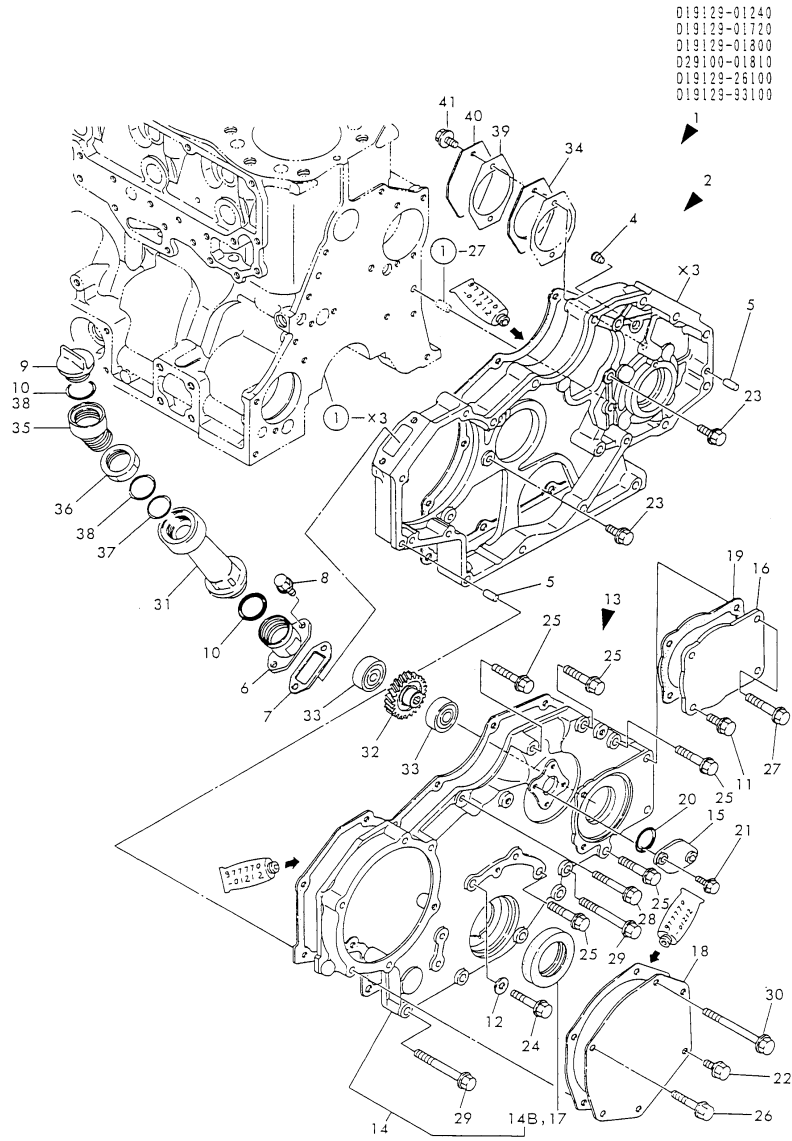
Remarks
 (\$) THESE PARTS ARE SOLD BY FIG.19,
 REF.NO.1,1-1.

(A)=4TN100L-FB
 (B)=
 (C)=

(D)=
 (E)=
 (F)=

No.	Lev.	Parts No.	Description	Q'ty						I	R
				(A)	(B)	(C)	(D)	(E)	(F)		
1	1	119084-01610	CASE ASSY, GEAR	1							
2	2	119084-01600	CASE ASSY, GEAR	1							
4	3	23871-030000	PLUG, R03	1							
5	2	129100-01580	PIN, M8X16	2							
6	2	119000-01760	FLANGE	1							
7	2	119000-01770	GASKET	1							\$
7-1	2	119000-01771	GASKET	1							N \$
		(A=E01934)									
8	2	26106-080252	BOLT, M8X 25 PLATED	2							
9	1	124160-01751	COVER, FILLER	1							
10	1	24321-000350	O-RING, 1AG35.0	2							\$
10-1	1	24321-000350	O-RING, 1AG35.0	1							K \$
		(A=E01859)									
11	1	26106-080202	BOLT, M8X 20 PLATED	2							
12	1	43400-500420	SEAL WASHER 8	1							\$
13	1	719129-01600	COVER ASSY,GEAR CASE	1							
14	2	119000-01590	COVER ASSY,GEAR CASE	1							W
		(A=E01859)									
14B	3	121850-01800	SEAL, OIL	1							W \$
		(A=E01859)									
15	2	121023-01550	COVER	1							
16	2	124610-01851	COVER	1							
17	2	121850-01800	SEAL, OIL	1							Z \$
		(A=E01859)									
18	2	119000-01930	COVER	1							
19	2	124610-01861	GASKET	1							\$
19-1	2	124610-01862	GASKET	1							N \$
		(A=E01934)									
20	2	24341-000240	O-RING, 1AS24.0	1							\$
21	2	26106-060182	BOLT, M6X 18 PLATED	2							
21-1	2	26106-060122	BOLT, M6X 12 PLATED	2							N
		(A=E01934)									
22	1	26106-080182	BOLT, M8X 18 PLATED	1							
23	1	26106-080202	BOLT, M8X 20 PLATED	5							
24	1	26106-080402	BOLT, M8X 40 PLATED	1							
25	1	26106-080452	BOLT, M8X 45 PLATED	5							
26	1	26106-080452	BOLT, M8X 45 PLATED	3							
27	1	26106-080502	BOLT, M8X 50 PLATED	2							
28	1	26106-080552	BOLT, M8X 55 PLATED	1							
29	1	26106-080752	BOLT, M8X 75 PLATED	4							
30	1	26106-080902	BOLT, M8X 90 PLATED	2							
31	1	121027-11742	PIPE	1							
32	1	119129-26200	GEAR, PUMP	1							
33	1	24101-060064	BEARING, BALL 6006	2							
33-1	1	24105-060064	BEARING, BALL 6006Z	2							N
		(A=E03292)									
34	1	119129-26070	SPACER	1							
35	1	119225-11740	ADAPTER	1							W
		(A=E02133)									
36	1	119225-11750	NUT	1							W
		(A=E02133)									

Fig.2. GEAR HOUSING



019123-01240
 019123-01720
 019123-01800
 029109-01810
 019123-25100
 019123-33100

×印部品ハ単品販売致シマセン
 ×MARK PARTS : NOT SOLD SEPARATELY

(A)=4TN100L-FB
 (B)=
 (C)=

(D)=
 (E)=
 (F)=

No.	Lev.	Parts No.	Description	Q'ty						I	R
				(A)	(B)	(C)	(D)	(E)	(F)		
37	1	121420-01760 (A=E02133)	O-RING	1						W	\$
38	1	24311-000320 (A=E02133)	O-RING, 1AP32.0	2						W	\$
39	1	121023-26061 (A=E01934)	GASKET	1						W	
40	1	121023-26070 (A=E01859)	COVER	1						W	
41	1	26106-100202 (A=E01859)	BOLT, M10X 20 PLATED	2						W	

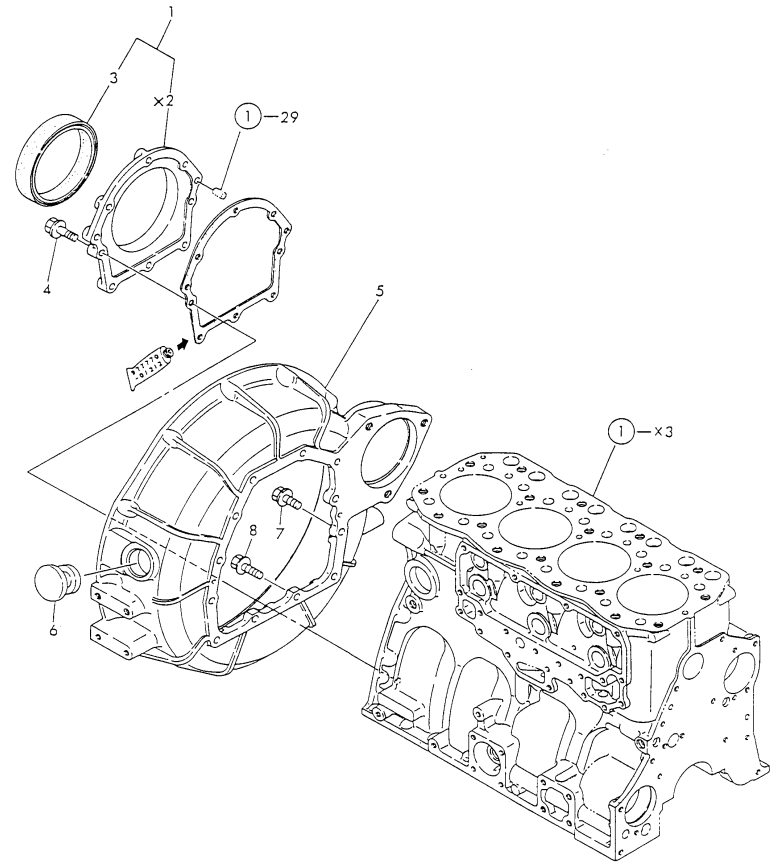
Remarks
 (\$) THESE PARTS ARE SOLD BY FIG.19,
 REF.NO.1,1-1.

Fig.3. OIL SEAL HOUSING

D19129-01300
D19100-01500

(A)=4TN100L-FB
(B)=
(C)=

(D)=
(E)=
(F)=

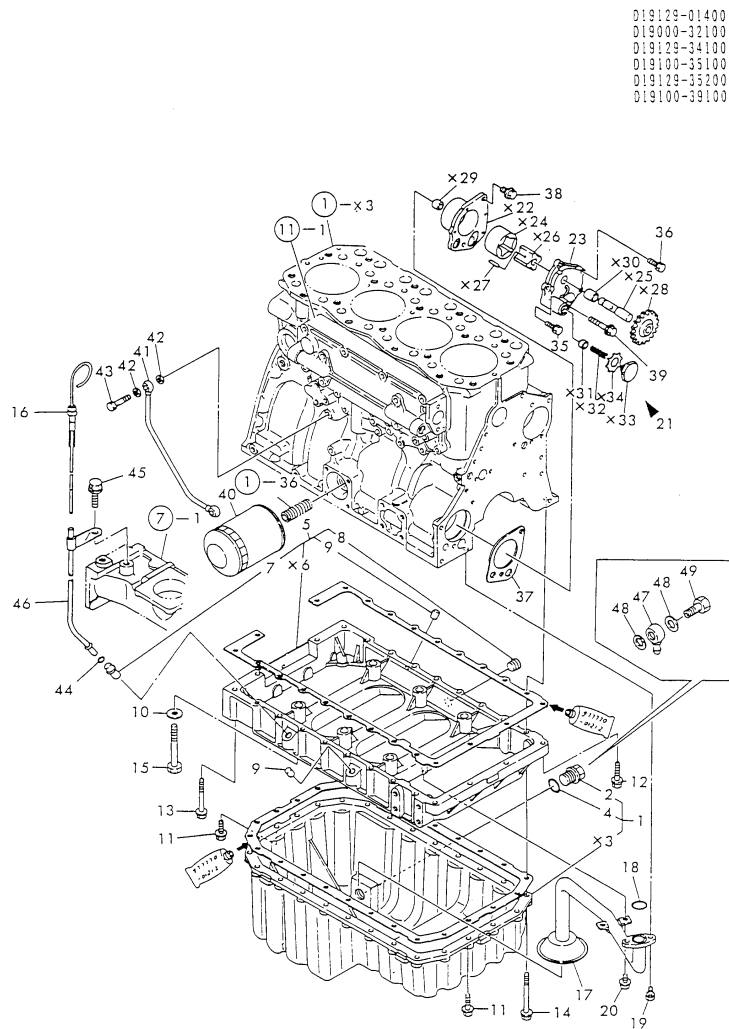


×印部品は単品販売致しません
×MARK PARTS : NOT SOLD SEPARATELY

No.	Lev.	Parts No.	Description	Q'ty						I	R
				(A)	(B)	(C)	(D)	(E)	(F)		
1	1	719129-01650	CASE ASSY, OIL SEAL	1							
1-1	1	119100-01640	CASE ASSY, OIL SEAL	1							N
(A=E01859)											
3	2	124411-01780	SEAL, HTC95X115X12	1							\$
4	1	26106-080252	BOLT, M8X 25 PLATED	8							
5	1	119129-01600	HOUSING, FLYWHEEL	1							
6	1	129795-11750	CAP	1							
7	1	26106-100252	BOLT, M10X 25 PLATED	8							
8	1	26106-100302	BOLT, M10X 30 PLATED	4							

Remarks
(\$) THESE PARTS ARE SOLD BY FIG.19,
REF.NO.1,1-1.

Fig.4. LUB. OIL SUMP



×印部品は単品販売致しません
 ×MARK PARTS : NOT SOLD SEPARATELY

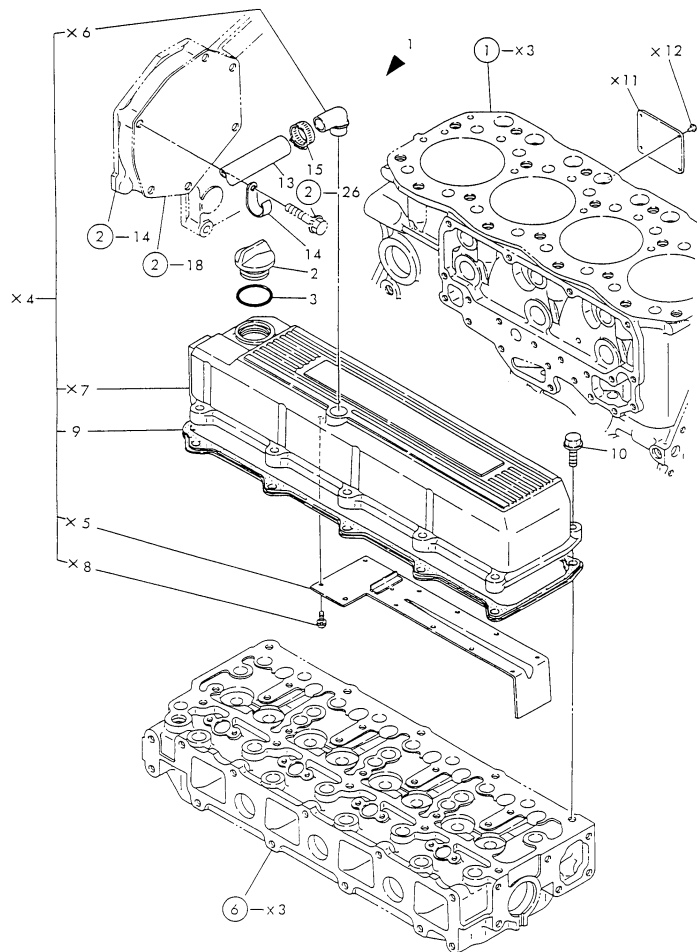
No.	Lev.	Parts No.	Description	Q'ty						I	R
				(A)	(B)	(C)	(D)	(E)	(F)		
1	1	719129-01540	SUMP ASSY, OIL	1							
2	2	171301-01640	PLUG, 22	1							
4	2	24341-000240	O-RING, 1AS24.0	1							\$
5	1	119129-01550	SPACER ASSY	1							
7	2	119260-34810	GUIDE, DIPSTICK	1							
8	2	23871-030000	PLUG, R03	1							
9	2	27225-100140	PLUG, 10X14	2							
10	1	22117-120000	WASHER, 12	6							
11	1	26106-080302	BOLT, M8X 30 PLATED	8							
12	1	26106-080352	BOLT, M8X 35 PLATED	4							
13	1	26106-080702	BOLT, M8X 70 PLATED	2							
14	1	26106-080852	BOLT, M8X 85 PLATED	18							
15	1	26116-120852	BOLT, M12X 85 PLATED	6							
16	1	119129-34800	DIPSTICK, OIL	1							
16-1	1	119129-34801	DIPSTICK, OIL	1							N
(A=E02133)											
17	1	119129-35090	PIPE ASSY, OIL INLET	1							
18	1	24311-000220	O-RING, 1AP22.0	1							\$
19	1	26013-080162	BOLT, M8X 16	2							
20	1	26106-080162	BOLT, M8X 16 PLATED	2							
21	1	119000-32001	PUMP ASSY, OIL	1							
23	2	119000-32082	COVER	1							
35	2	26013-060162	BOLT, M6X 16	2							
36	2	26013-060252	BOLT, M6X 25	2							
37	1	119000-32020	GASKET, PUMP	1							\$
38	1	26106-080162	BOLT, M8X 16 PLATED	1							
39	1	26106-080502	BOLT, M8X 50 PLATED	1							
40	1	119100-35100	FILTER, OIL	1							
40-1	1	119005-35100	FILTER, D80X100L	1							N
(A=E02415)											
41	1	119100-39350	PIPE, OIL	1							
42	1	23414-080000	GASKET, 8X1.0	2							\$
43	1	23857-030000	BOLT, JOINT 3	1							
44	1	24311-240100	O-RING, 1AP10A	1							\$
45	1	26106-100162	BOLT, M10X 16 PLATED	1							
46	1	119129-34810	GUIDE, DIPSTICK	1							
46-1	1	119129-34811	GUIDE, DIPSTICK	1							N
(A=E02133)											
47	1	119646-39910	JOINT, PIPE	1							1
48	1	23414-220000	GASKET, 22X1.0	2							1
49	1	23857-180000	BOLT, JOINT 18	1							1

Remarks

(1) HST VERSION.
 (\$) THESE PARTS ARE SOLD BY FIG.19,
 REF.NO.1,1-1.

Fig.5. BONNET

D19000-03100
 D19129-07110
 D19100-11200



×印部品は単品販売致しません
 ×MARK PARTS : NOT SOLD SEPARATELY

Remarks

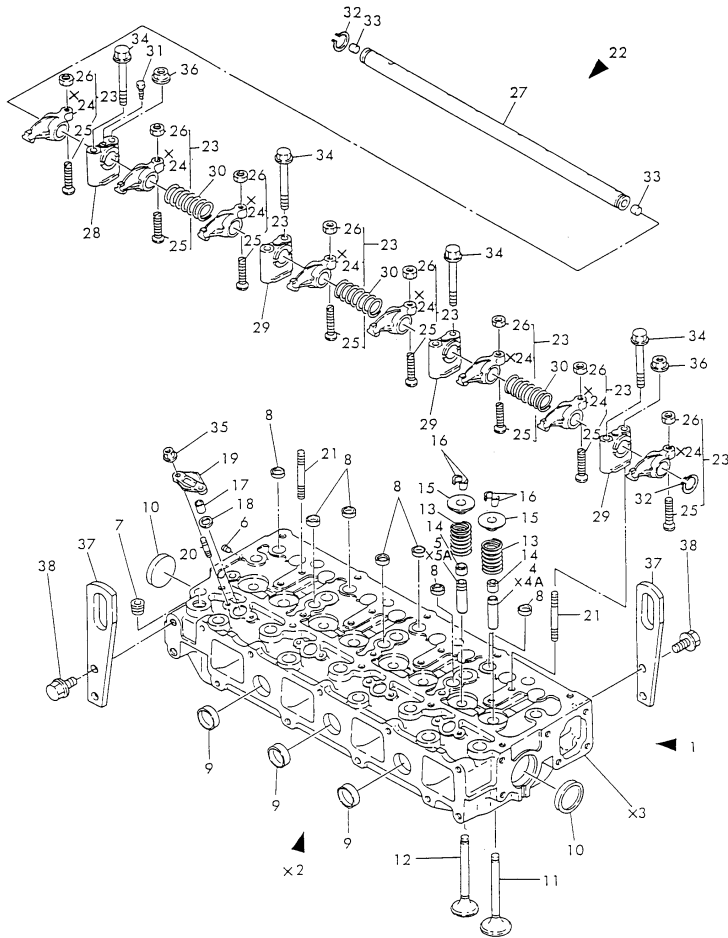
(\$) THESE PARTS ARE SOLD BY FIG.19,
 REF.NO.1,1-1.
 (#) THESE PARTS ARE SOLD BY FIG.20,
 REF.NO.1,1-1,1-2.

(A)=4TN100L-FB
 (B)=
 (C)=

(D)=
 (E)=
 (F)=

No.	Lev.	Parts No.	Description	Q'ty						I	R
				(A)	(B)	(C)	(D)	(E)	(F)		
1	1	719129-11521	BONNET ASSY, HEAD	1							
2	2	124160-01751	COVER, FILLER	1							
3	2	24311-000320	O-RING, 1AP32.0	1							\$
9	3	119100-11320	GASKET, BONNET	1							#
10	1	26106-080252	BOLT, M8X 25 PLATED	10							
13	1	119006-03090	HOSE, BREATHER	1							
14	1	129150-03100	RETAINER, PIPE	1							
15	1	23000-022000	CLAMP, 22	1							

Fig.6. CYLINDER HEAD



D19000-07300
D19100-11110

×印部品は単品販売致しません
×MARK PARTS: NOT SOLD SEPARATELY

(A)=4TN100L-FB

(B)=

(C)=

(D)=

(E)=

(F)=

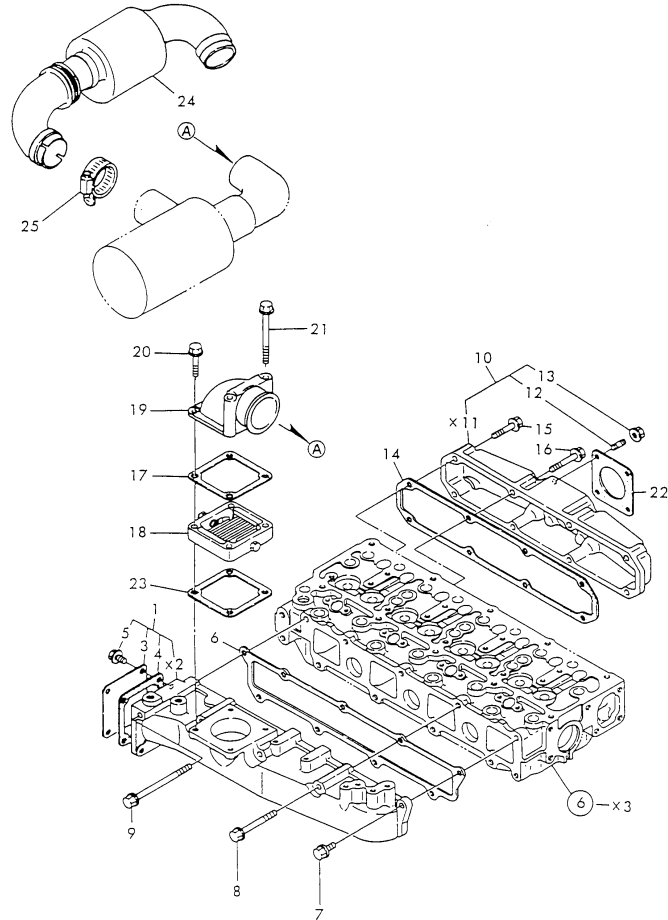
No.	Lev.	Parts No.	Description	Q'ty						I	R
				(A)	(B)	(C)	(D)	(E)	(F)		
1	1	719129-11700	HEAD ASSY, CYLINDER	1							
4	3	121850-11800	GUIDE, VALVE	4							1
5	3	119000-11810	GUIDE, VALVE	4							1
6	3	123385-82200	PLUG, 1/16	1							
7	3	23871-030000	PLUG, R03	1							
8	3	27241-160000	PLUG, 16	7							
9	3	27241-280000	PLUG, 28	3							
10	3	27241-400000	PLUG, 40	2							
11	2	121850-11100	VALVE, INTAKE	4							
12	2	119000-11110	VALVE, EXHAUST	4							
13	2	121850-11120	SPRING, VALVE	8							
14	2	121850-11150	SEAL, VALVE STEM	8							\$
15	2	121850-11180	RETAINER, SPRING	8							
16	2	124250-11190	COTTER	8							
17	2	119625-11870	PROTECTOR, NOZZLE	4							\$
18	2	119625-11880	SEAT, NOZZLE	4							\$
19	2	119625-11900	RETAINER, NOZZLE	4							
20	2	26216-060252	STUD, M6X 25	8							
21	2	26216-080652	STUD, M8X 65	2							
22	1	119100-11240	SHAFT ASSY, ROCKER	1							
23	2	719129-11650	ARM ASSY, ROCKER	8							
25	3	129150-11230	SCREW, VALVE ADJUST	8							
25-1	3	119000-11230	SCREW, VALVE ADJUST	8							N
(A=E01566)											
26	3	129150-11750	NUT, M8	8							
27	2	119100-11250	SHAFT, ROCKER ARM	1							
28	2	119000-11260	SUPPORT, ROCKER ARM	1							
29	2	119000-11270	SUPPORT, ROCKER ARM	3							
30	2	119000-11280	SPRING	3							
31	2	119000-11290	BOLT	1							
32	2	22242-000180	RING, 18	2							
33	2	27241-100000	PLUG, 10	2							
34	1	26106-080652	BOLT, M8X 65 PLATED	6							
35	1	26366-060002	NUT, M6	8							
36	1	26366-080002	NUT, M8	2							
37	1	119000-07200	LIFTER	2							
38	1	26106-100202	BOLT, M10X 20 PLATED	4							

Remarks

(1) REPAIR PART.

(\$) THESE PARTS ARE SOLD BY FIG.20,
REF.NO.1,1-1,1-2.

Fig.7. SUC. & EXH. MANIFOLD



019100-12100
 019100-13100
 019129-77500
 019129-93100

X印部品は単品販売致しません
 *MARK PARTS : NOT SOLD SEPARATELY

(A)=4TN100L-FB

(B)=

(C)=

(D)=

(E)=

(F)=

No.	Lev.	Parts No.	Description	Q'ty						I	R
				(A)	(B)	(C)	(D)	(E)	(F)		
1	1	719129-12100	MANIFOLD ASSY,INTAKE	1							
3	2	119100-12120	COVER, MANIFOLD	1							
4	2	121850-77020	GASKET	1							\$
4-1	2	121850-77021	GASKET	1						N	\$
		(A=E01934)									
5	2	26106-080142	BOLT, M8X 14 PLATED	4							
6	1	119100-12111	GASKET, MANIFOLD	1							\$
6-1	1	119100-12112	GASKET, MANIFOLD	1						N	\$
		(A=E01934)									
7	1	26106-080202	BOLT, M8X 20 PLATED	5							
8	1	26106-080702	BOLT, M8X 70 PLATED	3							
9	1	26106-081152	BOLT, M8X115 PLATED	1							
10	1	719129-13500	MANIFOLD ASSY	1							
12	2	26216-080222	STUD, M8X 22	4							
13	2	194990-22050	NUT, M8	4							
14	1	119100-13200	GASKET	1							\$
15	1	26106-080402	BOLT, M8X 40 PLATED	4							
16	1	26106-080502	BOLT, M8X 50 PLATED	4							
17	1	119129-77020	GASKET	1							\$
18	1	119129-77500	HEATER	1							
19	1	119129-77520	BEND	1							
20	1	26106-080402	BOLT, M8X 40 PLATED	2							
21	1	26106-080902	BOLT, M8X 90 PLATED	2							
22	1	129400-13200	GASKET, SILENCER	1							\$
22-1	1	129400-13201	GASKET, SILENCER	1						N	\$
		(A=E01934)									
23	1	121850-77020	GASKET	1							\$
23-1	1	121850-77021	GASKET	1						N	\$
		(A=E01934)									
24	1	119129-12040	SILENCER ASSY	1							Z
		(A=E01934)									
		(A=E01934)									
25	1	23000-090000	CLAMP, 90	1							Z
		(A=E01934)									
		(A=E01934)									

Remarks

(S) THESE PARTS ARE SOLD BY FIG.20,
 REF.NO.1,1-1,1-2.

N:Old $\begin{matrix} \text{Yes} \\ \text{No} \end{matrix}$ New, Q:Old $\begin{matrix} \text{No} \\ \text{Yes} \end{matrix}$ New, R:Old $\begin{matrix} \text{Yes} \\ \text{No} \end{matrix}$ New, S:Old $\begin{matrix} \text{No} \\ \text{Yes} \end{matrix}$ New, W:Add, Z:Discontinued, F:Interchangeable by set, K:Q'ty Change

Fig.8. CAMSHAFT & IDLE GEAR

(A)=4TN100L-FB

(B)=

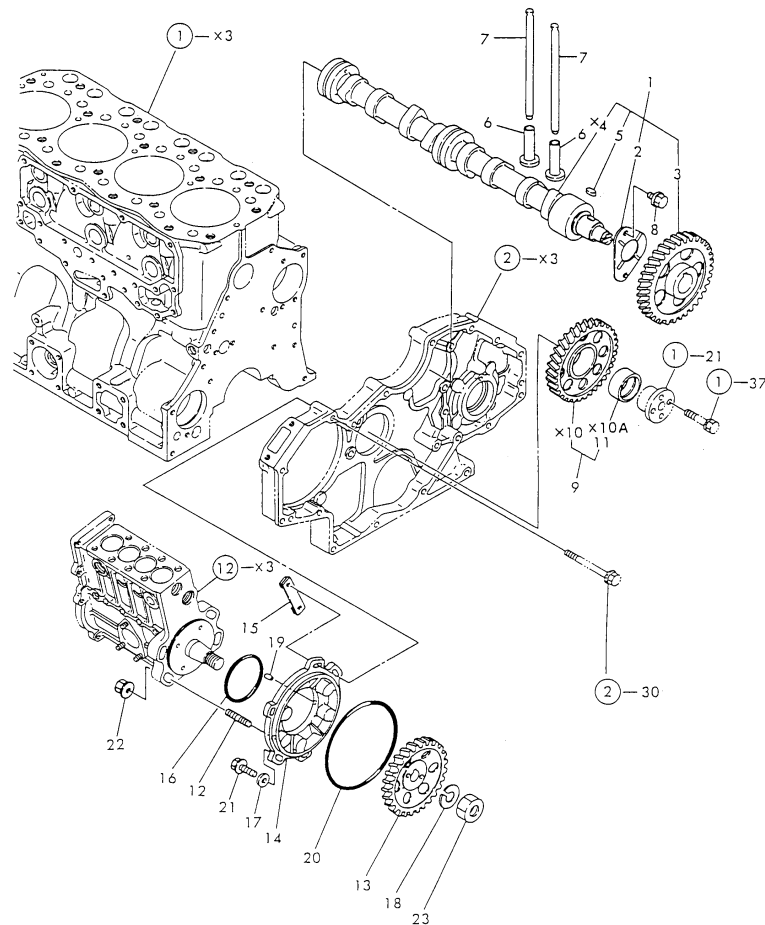
(C)=

(D)=

(E)=

(F)=

D19100-14100
D19000-25100
D19000-25200



X印部品ハ単品販売致シマセン
X-MARK PARTS : NOT SOLD SEPARATELY

No.	Lev.	Parts No.	Description	Q'ty						I	R
				(A)	(B)	(C)	(D)	(E)	(F)		
1	1	119100-14000	CAMSHAFT ASSY	1							
2	2	119000-02450	BEARING, THRUST	1							
3	2	119000-14100	GEAR, CAMSHAFT Z=48	1							
5	2	22512-070140	KEY, 7X 14	1							
6	1	119000-14200	TAPPET	8							
7	1	129150-14400	ROD, PUSH L=178	8							
8	1	26106-080162	BOLT, M8X 16 PLATED	2							
9	1	119000-25100	GEAR ASSY, IDLE Z=51	1							
11	2	119000-25930	BUSH, IDLE GEAR	1							1
12	1	121850-01900	STUD, SB10X32	4							
13	1	119000-25900	GEAR, PUMP	1							
14	1	119000-25910	BRACKET, PUMP	1							
15	1	119000-25920	RETAINER	1							
16	1	124410-51960	O-RING	1							\$
17	1	106100-55800	WASHER	3							
18	1	22217-180000	WASHER, SPRING 18	1							
19	1	22351-050012	PIN, SPRING 5.0X12	1							
20	1	24341-001350	O-RING, 1AS135.0	1							\$
21	1	26106-080252	BOLT, M8X 25 PLATED	3							
22	1	26366-100002	NUT, M10	4							
23	1	26776-180002	NUT, LOCK M18	1							

Remarks

(1) REPAIR PART.

(\$) THESE PARTS ARE SOLD BY FIG.19,
REF.NO.1,1-1.

Fig.9. CRANKSHAFT & PISTON

(A)=4TN100L-FB

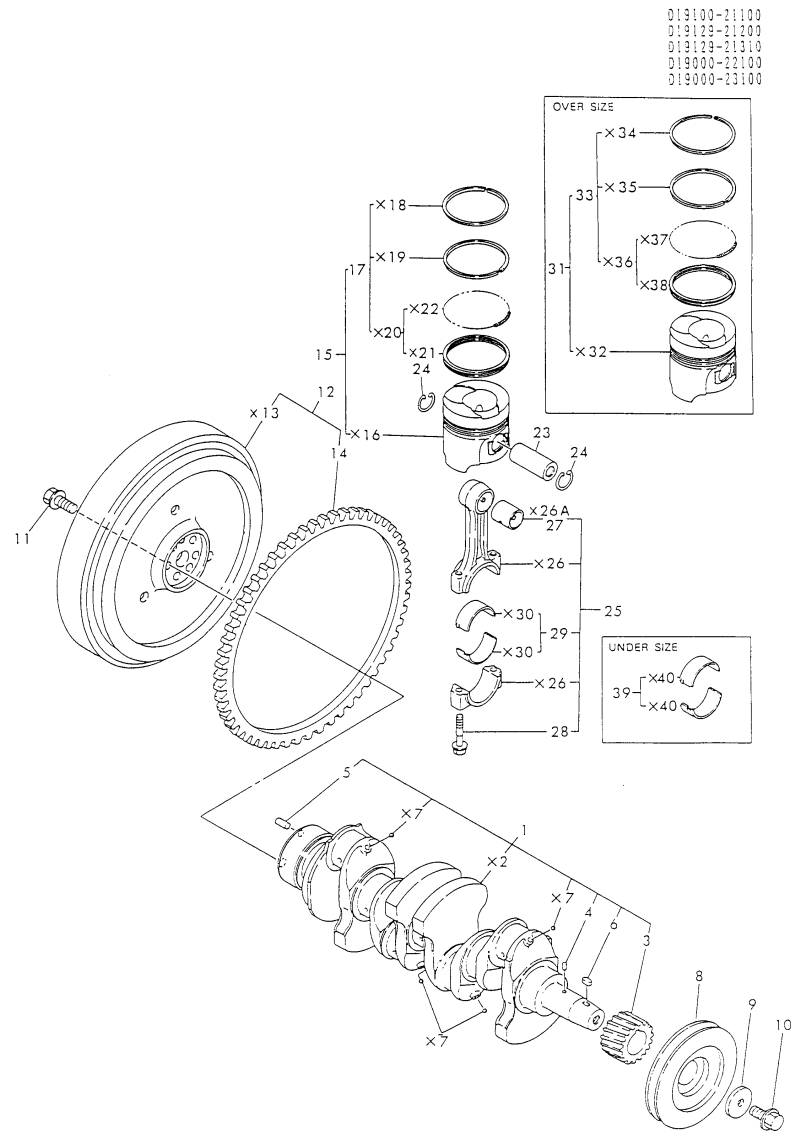
(B)=

(C)=

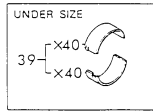
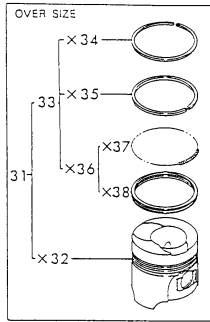
(D)=

(E)=

(F)=



019100-21100
019129-21200
019129-21310
019000-22100
019000-23100

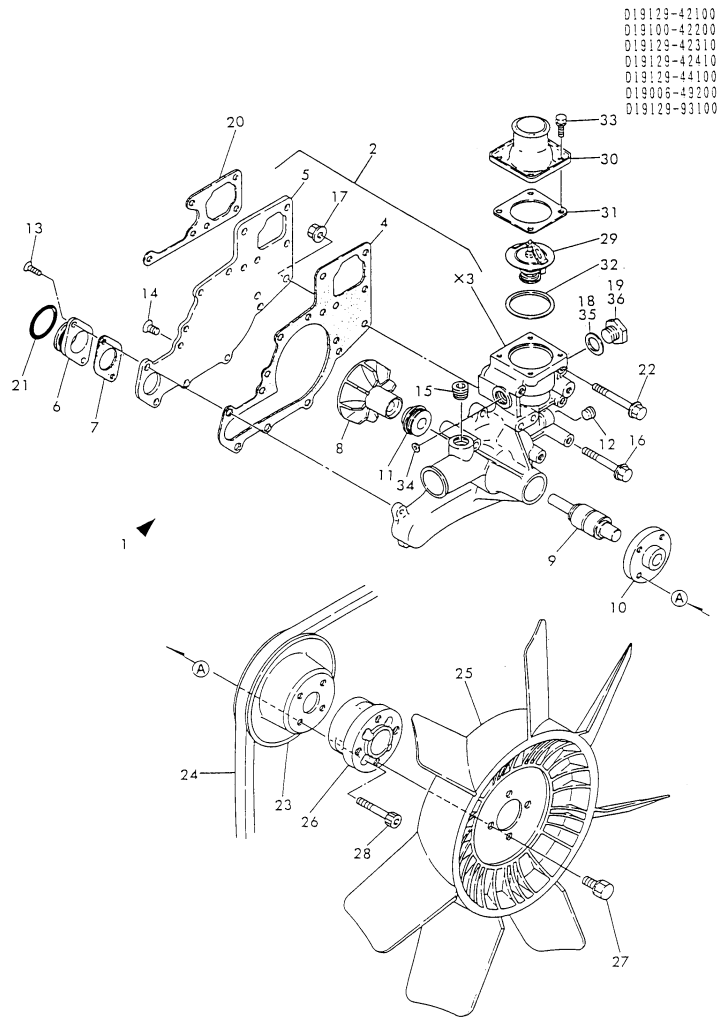


No.	Lev.	Parts No.	Description	Q'ty						I	R
				(A)	(B)	(C)	(D)	(E)	(F)		
1	1	719100-21700	CRANKSHAFT ASSY	1							
3	2	121850-21200	GEAR, CRANKSHAFT	1							
4	2	121850-21290	PIN	1							
5	2	121850-21920	PIN, M10X22	1							
6	2	22512-070140	KEY, 7X 14	1							
8	1	119129-21650	V-PULLEY	1							
9	1	121850-21660	WASHER	1							
10	1	121850-21680	BOLT	1							
11	1	121850-21130	BOLT, FLYWHEEL	6							
12	1	119129-21580	FLYWHEEL ASSY	1							
14	2	127410-21480	GEAR, RING Z=129	1							
15	1	119000-22000	PISTON ASSY	4							
17	2	719000-22500	RING SET, PISTON	4							
23	1	119000-22300	PIN, PISTON	4							
24	1	22252-000340	RING, 34	8							
25	1	719000-23100	ROD ASSY, CONNECTING	4							
27	2	119000-23910	BEARING, PISTON PIN	4							1
28	2	121850-23200	BOLT, CONNECTING ROD	8							
29	2	719000-23600	BEARING, CRANK PIN	4							
31	1	719000-22900	PISTON ASSY, 0.25 OS	4							2
33	2	719000-22950	RING SET, 0.25 OS	4							2
39	1	719000-23610	BEARING ASSY, 0.25	4							3

Remarks

- (1) REPAIR PART.
- (2) OVER SIZE(O.S=0.25)PART.
- (3) UNDER SIZE(U.S=0.25)PART.

Fig.10. COOLING WATER PUMP

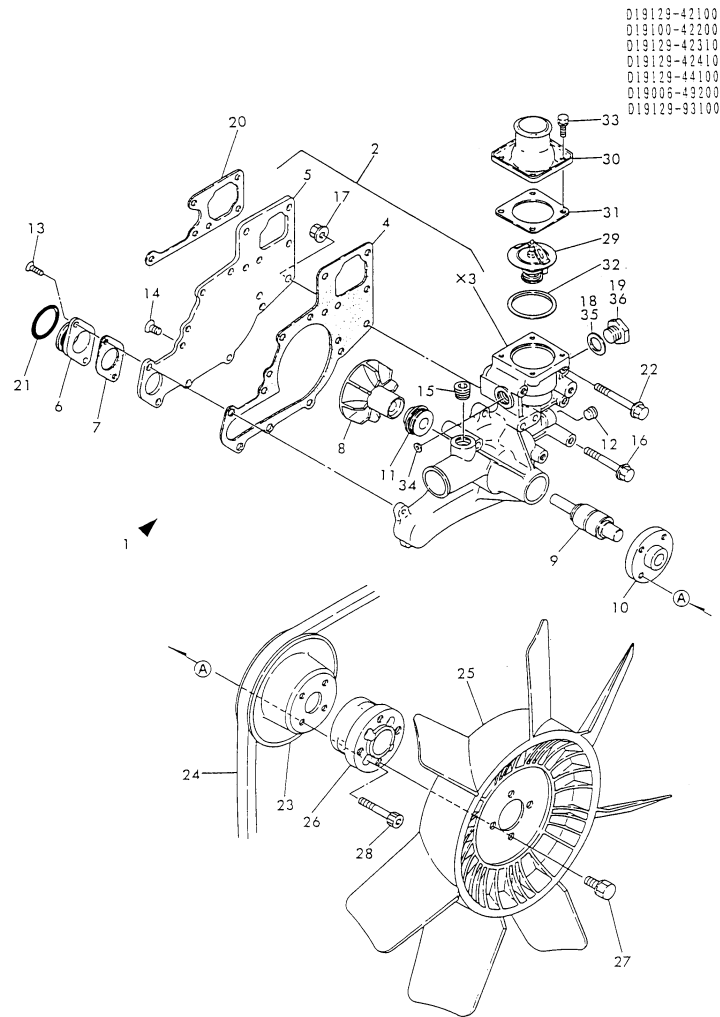


*印部品の単品販売致シマセン
*MARK PARTS : NOT SOLD SEPARATELY

Remarks
 (\$) THESE PARTS ARE SOLD BY FIG.19,
 REF.NO.1,1-1.
 (#) THESE PARTS ARE SOLD BY FIG.20,
 REF.NO.1,1-1,1-2.

No.	Lev.	Parts No.	Description	Q'ty						I	R
				(A)	(B)	(C)	(D)	(E)	(F)		
1	1	719129-42000	PUMP ASSY, WATER	1							
2	2	119006-42000	PUMP ASSY, WATER	1							
2-1	2	119006-42001	PUMP ASSY, WATER	1							N
(A=E01964)											
4	3	119000-42050	GASKET, WATER PUMP	1							
4-1	3	119000-42051	GASKET, WATER PUMP	1							N
(A=E01964)											
5	3	119000-42120	PLATE, PUMP	1							
5-1	3	119000-42121	PLATE, PUMP	1							N
(A=E01964)											
6	3	119000-42140	ADAPTER	1							
6-1	3	119000-42141	FLANGE	1							N
(A=E01964)											
7	3	119000-42150	GASKET, WATER PUMP	1							
7-1	3	119000-42151	GASKET, WATER PUMP	1							N
(A=E01964)											
8	3	119000-42200	IMPELLER, 75X75X48	1							
8-1	3	119000-42201	IMPELLER, 75X75X38	1							N
(A=E01964)											
9	3	124250-42240	SHAFT	1							
9-1	3	119000-42240	BEARING, SHAFT	1							N
(A=E01964)											
10	3	119000-42260	FLANGE	1							
10-1	3	119000-42261	FLANGE	1							N
(A=E01964)											
11	3	121450-42310	SEAL, MECHANICAL	1							
11-1	3	119660-42310	SEAL, MECHANICAL	1							N
(A=E01964)											
12	3	23871-020000	PLUG, R02	1							
13	3	21577-060202	SCREW, M6X20	2							
13-1	3	26577-060202	SCREW, M6X20	2							N
(A=E01964)											
14	3	21577-080162	SCREW, M8X16	6							
14-1	3	26577-080162	SCREW, M8X16	6							N
(A=E01964)											
15	3	23871-030000	PLUG, R03	1							
16	3	26106-080602	BOLT, M8X 60 PLATED	2							
17	3	26716-080002	NUT, M8	2							
17-1	3	26726-080002	NUT, M8	2							N
(A=E01964)											
18	2	124465-44950	GASKET, 16	2							\$
19	2	23887-160002	PLUG, 16	2							
20	1	119000-42020	GASKET, WATER PUMP	1							\$
20-1	1	119000-42021	GASKET, WATER PUMP	1							N \$
(A=E01934)											
21	1	24311-000360	O-RING, 1AP36.0	1							\$
22	1	26106-080652	BOLT, M8X 65 PLATED	5							
23	1	119129-42260	V-PULLEY	1							
24	1	119129-42280	V-BELT, B48	1							
25	1	42421-500250	FAN	1							
25-1	1	119129-44740	FAN, COOLING D=500	1							N

Fig.10. COOLING WATER PUMP



X印部品は単品販売致シマセン
 *MARK PARTS : NOT SOLD SEPARATELY

Remarks

(S) THESE PARTS ARE SOLD BY FIG.19,
 REF.NO.1,1-1.
 (#) THESE PARTS ARE SOLD BY FIG.20,
 REF.NO.1,1-1,1-2.

(A)=4TN100L-FB

(B)=

(C)=

(D)=

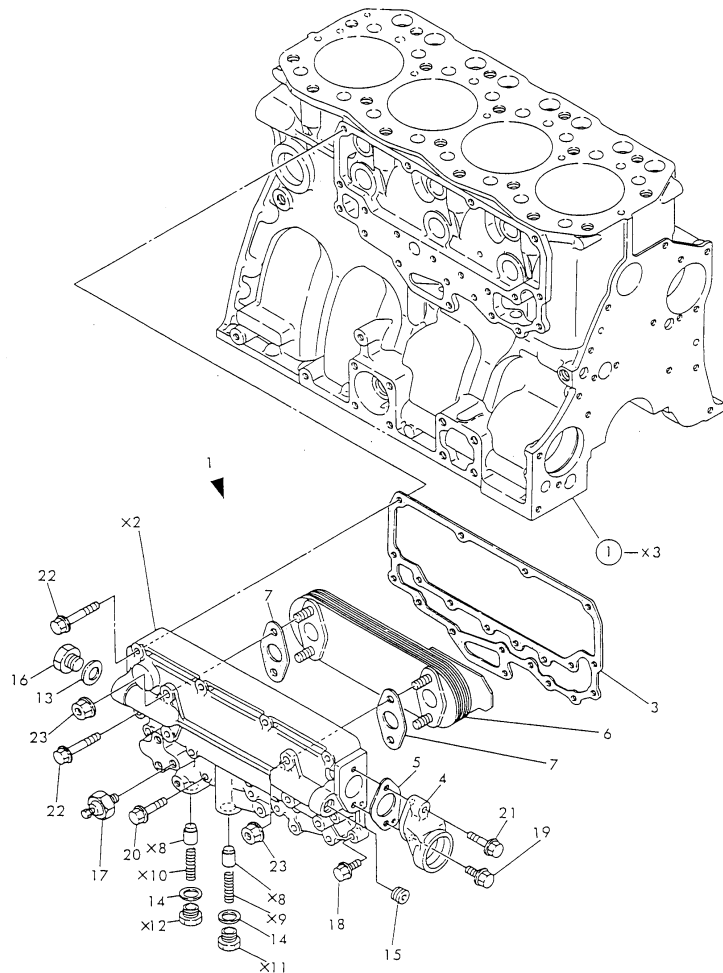
(E)=

(F)=

No.	Lev.	Parts No.	Description	Q'ty						I	R
				(A)	(B)	(C)	(D)	(E)	(F)		
		(A=EXXX)									
26	1	119129-44760	SPACER	1							
27	1	26013-100202	BOLT, M10X 20	4							
28	1	26450-080502	BOLT, M8X 50	4							
29	1	119000-48170	THERMOSTAT, 71	1							
30	1	121850-49530	COVER, THERMOSTAT	1							
31	1	121850-49540	GASKET, THERMOSTAT	1							#
32	1	121850-49550	GASKET, THERMOSTAT	1							#
33	1	26014-060142	BOLT, M6X 14	4							
34	1	129150-49360	GASKET	1							
35	1	124465-44950	GASKET, 16	1							W
		(A=*1991.)									
36	1	23887-160002	PLUG, 16	1							W
		(A=*1991.)									

Fig.11. OIL COOLER HOUSING

D19000-33100
D19100-39400



×印部品は単品販売致しません
×MARK PARTS : NOT SOLD SEPARATELY

Remarks
(\$) THESE PARTS ARE SOLD BY FIG.19,
REF.NO.1,1-1.

(A)=4TN100L-FB
(B)=
(C)=

(D)=
(E)=
(F)=

No.	Lev.	Parts No.	Description	Q'ty						I	R
				(A)	(B)	(C)	(D)	(E)	(F)		
1	1	719129-33100	COOLER ASSY, OIL	1							
1-1	1	119141-92610	SET,LO COOLER CMP	1							N
3	2	119000-33020	GASKET	1							\$
3-1	2	119000-33021	GASKET	1							N \$
		(A=E01934)									
4	2	119000-33030	BEND	1							
5	2	119000-33040	GASKET	1							\$
5-1	2	119000-33041	GASKET	1							N \$
		(A=E01934)									
6	2	119000-33050	COOLER, OIL	1							
7	2	121952-33070	GASKET, COOLER	2							\$
7-1	2	121952-33071	GASKET, COOLER	2							N \$
		(A=E01934)									
13	2	23414-160000	GASKET, 16X1.0	1							\$
14	2	23414-180000	GASKET, 18X1.0	2							\$
14-1	2	23414-170000	GASKET, 17X1.0	2							N
		(A=E2009.12)									
15	2	23871-030000	PLUG, R03	1							
16	2	23887-160002	PLUG, 16	1							
17	2	121250-39450	SWITCH, 1.0KG	1							
18	1	26106-080202	BOLT, M8X 20 PLATED	3							
19	1	26106-080202	BOLT, M8X 20 PLATED	1							
20	1	26106-080352	BOLT, M8X 35 PLATED	8							
21	1	26106-080352	BOLT, M8X 35 PLATED	1							
22	1	26106-080502	BOLT, M8X 50 PLATED	10							
23	1	26376-100002	NUT, M10	4							

Fig.12. FUEL INJECTION PUMP

(A)=4TN100L-FB

(B)=

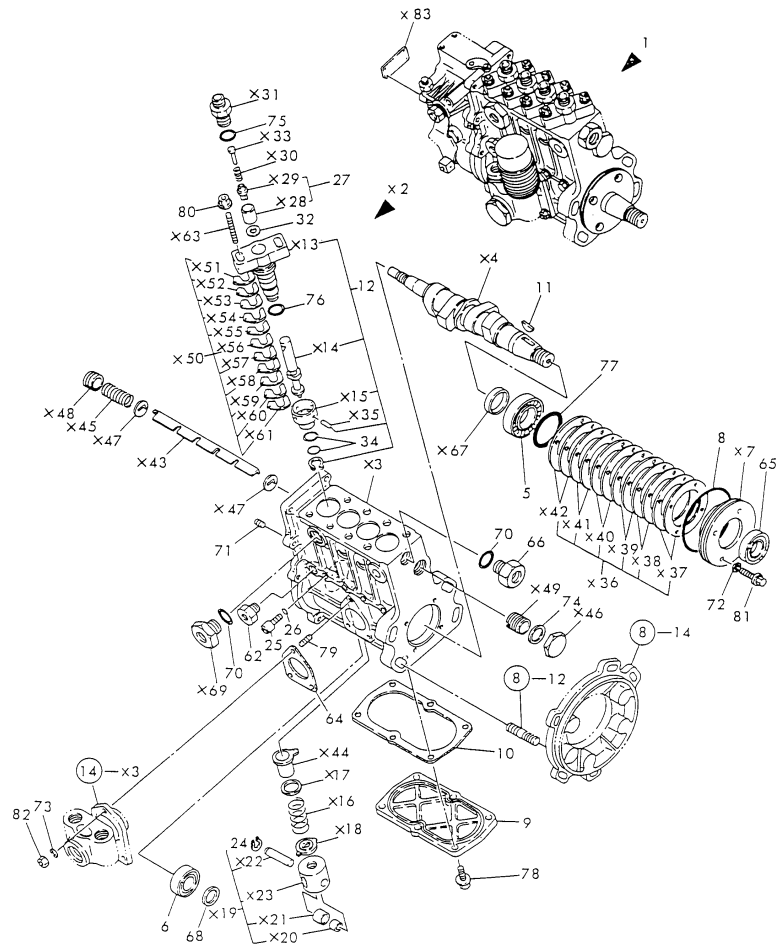
(C)=

(D)=

(E)=

(F)=

719129-51300



×印部品は単品販売致しません
×MARK PARTS : NOT SOLD SEPARATELY

No.	Lev.	Parts No.	Description	Q'ty						I	R
				(A)	(B)	(C)	(D)	(E)	(F)		
1	1	719129-51300	PUMP ASSY, INJECTION	1							1
5	3	119000-51050	BEARING, HR32005XJ	1							
6	3	122710-51050	BEARING, HR30203J	1							
8	3	124410-51960	O-RING	1							Z
(A=EXXX)											
9	3	119100-51080	COVER	1							
9-1	3	119100-51081	COVER	1							N
(A=E01773)											
10	3	119100-51090	GASKET	1							
10-1	3	119100-51091	GASKET	1							N
(A=E01773)											
11	3	144626-51090	KEY, 5X19	1							
12	3	119000-51101	PLUNGER ASSY	4							
24	4	119000-51250	CIRCLIP	4							
25	3	129155-51270	STOPPER, TAPPET	4							
26	3	129155-51280	O-RING, S6	4							
27	3	128400-51300	VALVE ASSY, DELIVERY	4							
32	3	122710-51350	GASKET	4							
34	3	119000-51410	O-RING, S18	8							
62	3	121850-51700	BUSH	1							
64	3	124410-51860	GASKET	1							Z
(A=EXXX)											
65	3	119000-51900	SEAL, AC1290E0	1							
66	3	121952-51900	PLUG	1							
68	3	122710-51920	SPACER	1							
70	3	144626-51950	O-RING, 1016	2							
71	3	137600-53900	SCREW, M6X6	1							
72	3	22190-060000	WASHER, SEAL 6	4							
73	3	22217-060000	WASHER, SPRING 6	3							Z
(A=EXXX)											
74	3	23414-220029	GASKET, 22X1.0	1							
75	3	24312-000150	O-RING, 2P15.0	4							
76	3	24341-000260	O-RING, 1AS26.0	4							
77	3	24341-000500	O-RING, 1AS50.0	1							
78	3	26106-060182	BOLT, M6X 18 PLATED	6							
79	3	26216-060162	STUD, M6X 16	3							
80	3	26366-080002	NUT, M8	8							
81	3	26106-060202	BOLT, M6X 20 PLATED	4							
82	3	26716-060002	NUT, M6	3							Z
(A=EXXX)											

Remarks

(1) GOVERNOR (FIG. NO. 13) & FEED PUMP (FIG. 14) IS INCORPORATED IN THIS FUEL INJECTION PUMP (REF. NO. 1).

Fig.13. COVERNOR

(A)=4TN100L-FB

(B)=

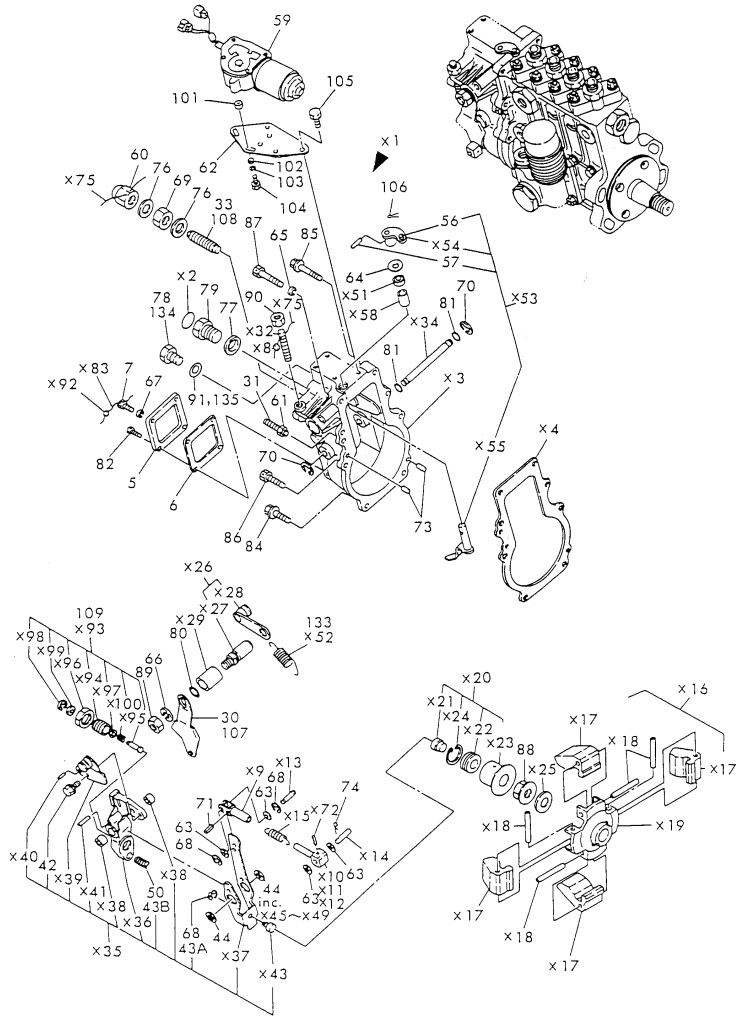
(C)=

(D)=

(E)=

(F)=

719123-51300
029503-66400



*印部品ハ単品販売致シマセン
*MARK PARTS : NOT SOLD SEPARATELY

No.	Lev.	Parts No.	Description	Q'ty						I	R
				(A)	(B)	(C)	(D)	(E)	(F)		
5	2	120323-61060	COVER, GOVERNOR CASE	1							
6	2	120323-61070	GASKET	1							\$
7	2	129155-61090	BOLT	1							
29-1	2	119100-61430 (A=E03292)	BUSH	1							R
30	2	119100-61440 (A=EXXX)	LEVER, GOVERNOR	1							Z
31	2	129155-61450	BOLT, LIMITER	1							
31-1	2	129470-61450	BOLT, LIMITER	1							N
31-2	2	129155-61460 (A=*1990.) (A=*1991.)	BOLT, IDLE	1							R
33	2	120323-61470 (A=EXXX)	BOLT, CONTROL	1							Z
42	3	26106-060122	BOLT, M6X 12 PLATED	1							
43A	3	22272-000040 (A=E01773)	RING, E- 4	1							W
43B	3	121850-61600 (A=E01773)	SPRING, FUEL CONTROL	1							W
44	2	119000-61630	SHIM SET	1							
50	2	121850-61600 (A=E01773)	SPRING, FUEL CONTROL	1							Z
56	3	119000-61830 (A=EXXX)	PIN	1							Z
57	3	22351-030016	PIN, SPRING 3.0X16	1							
59	2	119129-61850	MOTOR, STOP	1							
60	2	129100-61930	NUT, CAP	1							
61	2	119000-61470	NUT, M6	1							
62	2	119000-61870	BRACKET, STOP MOTOR	1							
63	2	22117-050000	WASHER, 5	4							
64	2	22137-080000	WASHER, 8	2							
64-1	2	22137-080000 (A=EXXX)	WASHER, 8	1							K
65	2	22217-060000	WASHER, SPRING 6	1							
66	2	22217-100000	WASHER, SPRING 10	1							
67	2	22217-050000	WASHER, SPRING 5	1							
67-1	2	22217-050000 (A=EXXX)	WASHER, SPRING 5	4							K
68	2	22272-000040	RING, E- 4	3							
68-1	2	22272-000040 (A=E01773)	RING, E- 4	2							K
69	2	26777-120002	NUT, LOCK M12	1							
70	2	22272-000080	RING, E- 8	2							
71	2	22351-030016	PIN, SPRING 3.0X16	1							
73	2	22351-050020	PIN, SPRING 5.0X20	2							
74	2	22360-050000	SNAP PIN 5	1							
74-1	2	22372-050000 (A=E02337)	PIN, SNAP 5	1							N
75-1	2	22453-060000 (A=*1992.)	WIRE, 0.6	2							R
76	2	43400-500450	SEAL WASHER 12S	2							\$

Remarks

(1) SELECTIVE USE.

(S) THESE PARTS ARE SOLD BY FIG.19,
REF.NO.1,1-1.

Fig.13. COVERNOR

(A)=4TN100L-FB

(B)=

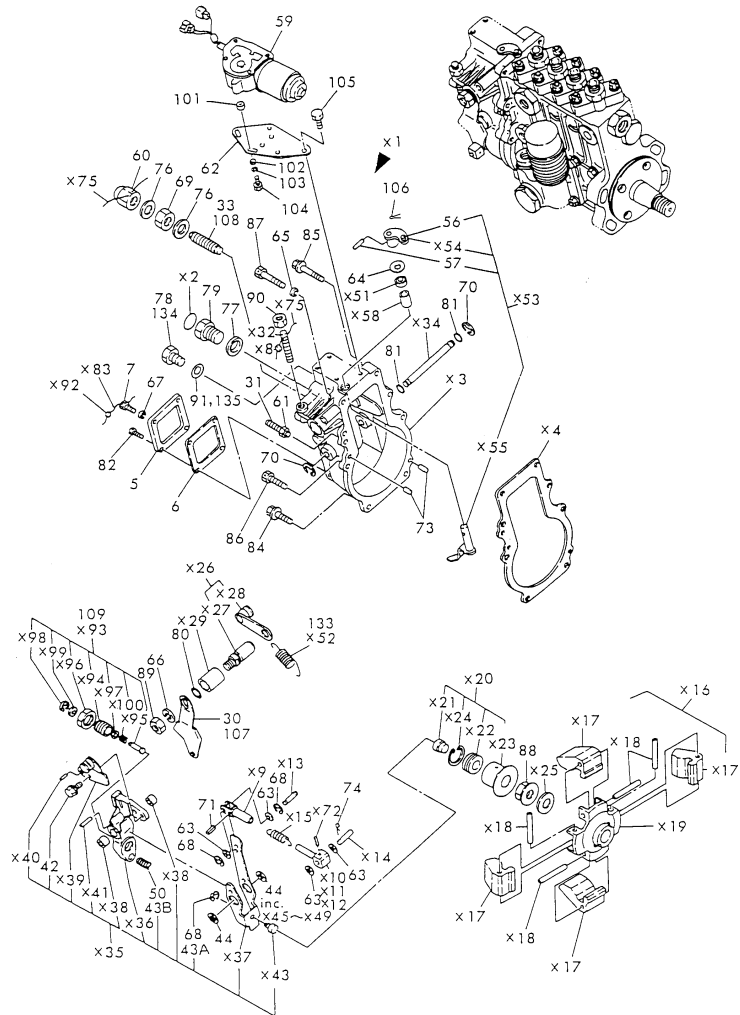
(C)=

(D)=

(E)=

(F)=

719123-51300
029503-66400



*印部品ハ単品販売致シマセン
*MARK PARTS : NOT SOLD SEPARATELY

No.	Lev.	Parts No.	Description	Q'ty						I	R
				(A)	(B)	(C)	(D)	(E)	(F)		
77	2	43400-500500	SEAL WASHER 16	1							\$
78	2	23887-080002	PLUG 8	1							Z
				(A=EXXX)							
79	2	23887-160002	PLUG, 16	1							
80	2	24311-000110	O-RING, 1AP11.0	1							
81	2	24341-000080	O-RING, 1AS8.0	2							
82	2	26116-050102	BOLT, M5X 10 PLATED	3							
84	2	26106-060222	BOLT, M6X 22 PLATED	4							
84-1	2	26106-060222	BOLT, M6X 22 PLATED	6							K
				(A=EXXX)							
85	2	26106-060352	BOLT, M6X 35 PLATED	1							
86	2	26116-060256	BOLT, M6X 25 PLATED	1							Z
				(A=EXXX)							
87	2	26116-060356	BOLT, M6X 35 PLATED	1							
88	2	26376-120002	NUT, M12	1							
89	2	26736-100002	NUT, M10	1							
89-1	2	26606-100002	NUT, M10	1							R
				(A=*1991.)							
90	2	26757-080002	NUT, LOCK M8	1							
90-1	2	26756-080002	NUT, LOCK M8	1							R
				(A=E03292)							
91	2	43400-500420	SEAL WASHER 8	1							Z
				(A=EXXX)							
101	2	119000-61880	SPACER	3							
102	2	119000-61890	WASHER	3							
103	2	22217-050000	WASHER, SPRING 5	3							
104	2	26116-050252	BOLT, M5X 25 PLATED	3							
105	2	26116-080142	BOLT 8X14	4							
106	2	22417-160120	PIN, COTTER 1.6X12	1							
106B	2	22417-120120	PIN, COTTER 1.2X12	1							W
				(A=EXXX)							
107	1	119100-61440	LEVER, GOVERNOR	1							W
				(A=EXXX)							
108	1	120323-61470	BOLT, CONTROL	1							W
				(A=EXXX)							
109	1	171091-61550	ANGLEICH ASSY	1							W
				(A=EXXX)							
133	1	119000-61700	SPRING, GOVERNOR	1							W
				(A=EXXX)							
134	1	23887-080002	PLUG 8	1							W
				(A=EXXX)							
135	1	43400-500420	SEAL WASHER 8	1							W
				(A=EXXX)							

Remarks

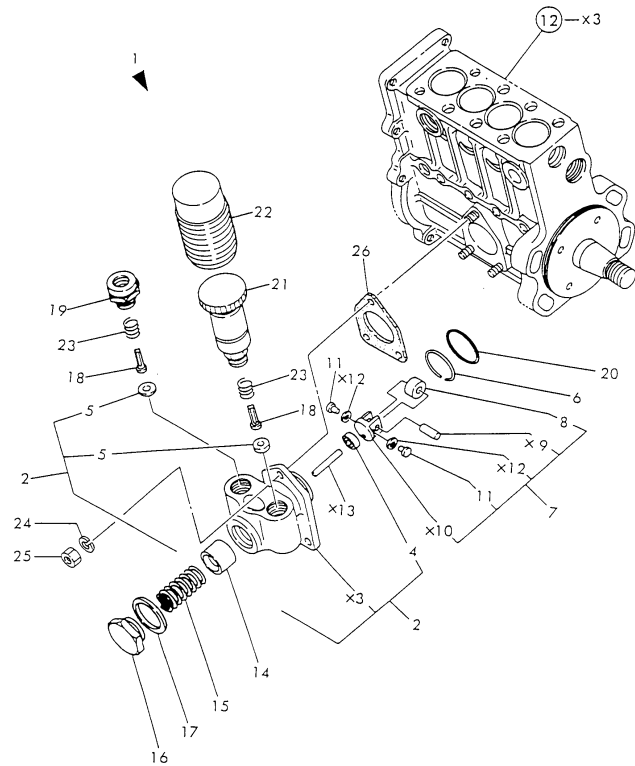
(1) SELECTIVE USE.

(S) THESE PARTS ARE SOLD BY FIG.19, REF.NO.1,1-1.

N:Old $\xrightarrow{\text{Yes}}$ New, Q:Old $\xrightarrow{\text{No}}$ New, R:Old $\xrightarrow{\text{Yes}}$ New, S:Old $\xrightarrow{\text{No}}$ New, W:Add, Z:Discontinued, F:Interchangeable by set, K:Q'ty Change

Fig.14. FEED PUMP

719129-51300



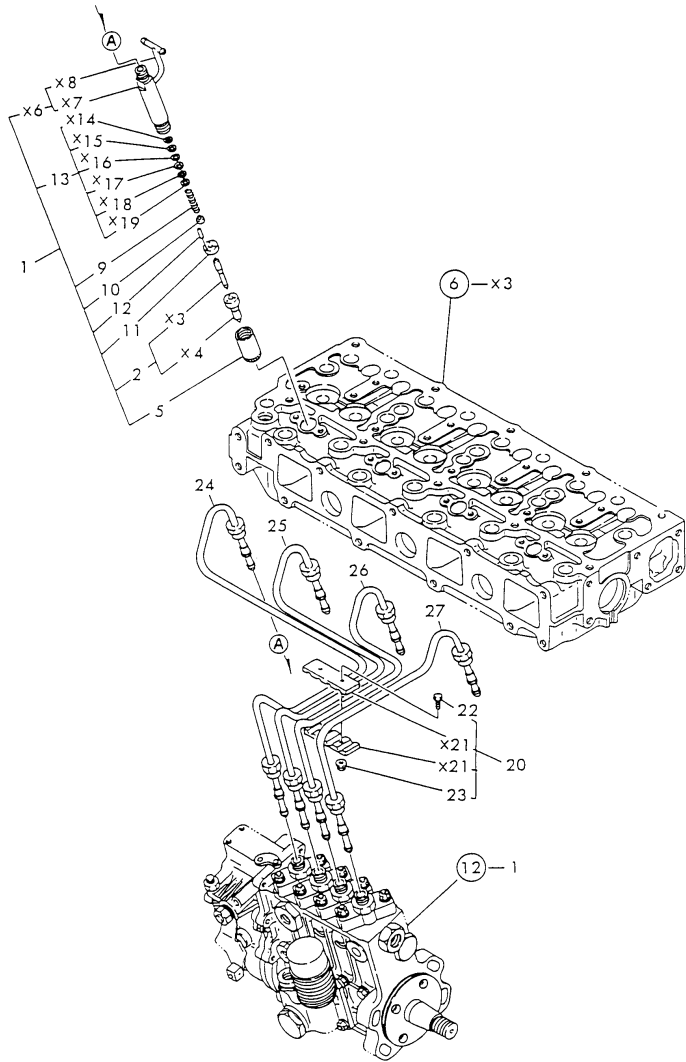
×印部品は単品販売致しません
×MARK PARTS : NOT SOLD SEPARATELY

Remarks
(\$) THESE PARTS ARE SOLD BY FIG.19,
REF.NO.1,1-1.

No.	Lev.	Parts No.	Description	Q'ty						I	R
				(A)	(B)	(C)	(D)	(E)	(F)		
1	1	719000-52700	PUMP ASSY, FUEL FEED	1							
1-1	1	119000-52000	PUMP ASSY, FUEL FEED	1							N
(A=EXXX)											
2	2	121820-52020	BODY ASSY, PUMP	1							
4	3	121820-52040	SEAL, OIL	1							
5	3	121820-52050	GASKET	2							
6	2	121820-52070	PIN	1							
7	2	719000-52500	TAPPET ASSY	1							
7-1	2	119000-52100	TAPPET ASSY	1							N
(A=EXXX)											
8	3	121820-52110	ROLLER	1							
11	3	121820-52140	RETAINER	2							
14	2	121820-52170	PISTON	1							
15	2	121820-52180	SPRING, VALVE	1							
16	2	121820-52190	RETAINER, SPRING	1							
17	2	121820-52200	GASKET, 25	1							
18	2	121820-52210	VALVE	2							
19	2	121820-52230	RETAINER, SPRING	1							
20	2	121820-52260	O-RING	1							Z \$
(A=EXXX)											
21	2	121820-52300	PUMP, PRIMING	1							
22	2	121820-52400	COVER	1							
23	2	121820-52510	SPRING, VALVE	2							
24	2	22217-060000	WASHER, SPRING 6	3							W
(A=*1989.)											
25	2	26716-060002	NUT, M6	3							W
(A=*1989.)											
26	2	124410-51860	GASKET	1							W \$
(A=*1989.)											
26-1	2	124410-51861	GASKET	1							N \$
(A=E01964)											

Fig.15. FUEL INJECT.VALVE & FUEL PIPES

D19000-53100
D19100-53100



×印部品は単品販売致しません
×MARK PARTS : NOT SOLD SEPARATELY

(A)=4TN100L-FB
(B)=
(C)=

(D)=
(E)=
(F)=

No.	Lev.	Parts No.	Description	Q'ty						I	R
				(A)	(B)	(C)	(D)	(E)	(F)		
1	1	719129-53100	VALVE ASSY,INJECTION	4							
2	2	119000-53000	VALVE ASSY,INJECTION	4							
5	2	114250-53080	NUT, NOZZLE D16.95	4							
9	2	114250-53120	SPRING, NOZZLE	4							
10	2	114250-53130	SEAT, SPRING	4							
11	2	114250-53140	PLATE	4							
12	2	114250-53210	PIN	4							
12-1	2	114250-53210	PIN	8							K
(A=*1990.)											
13	2	114250-53400	SHIM SET	4							
20	1	123472-59090	RETAINER ASSY	1							
22	2	26106-060202	BOLT, M6X 20 PLATED	2							
23	2	26366-060002	NUT, M6	2							
24	1	119100-59810	PIPE ASSY, INJECTION	1							
25	1	119100-59820	PIPE ASSY, INJECTION	1							
26	1	119100-59830	PIPE ASSY, INJECTION	1							
27	1	119100-59840	PIPE ASSY, INJECTION	1							

Fig.16. FUEL PIPES

(A)=4TN100L-FB

(B)=

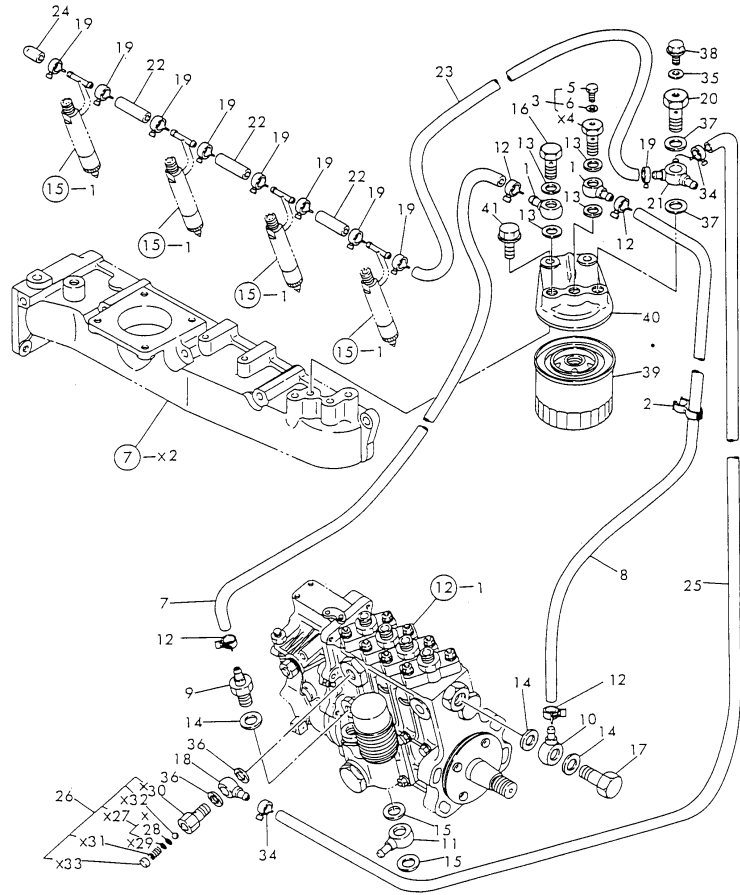
(C)=

(D)=

(E)=

(F)=

D19000-55100
D19006-59200
D19100-59300



x 印部品は単品販売致しません
x-MARK PARTS : NOT SOLD SEPARATELY

No.	Lev.	Parts No.	Description	Q'ty						I	R
				(A)	(B)	(C)	(D)	(E)	(F)		
1	1	101304-59020	JOINT, PIPE 12	2							
2	1	121855-59111	CLAMP, PIPE 610	2							
2-1	1	119006-59110	CLAMP	1							K
(A=E02790)											
3	1	103854-59191	BOLT ASSY, JOINT M12	1							
5	2	124060-59380	PLUG, 6	1							
6	2	43400-500390	SEAL WASHER 6S	1							
7	1	105025-59530	PIPE, FUEL D13X400	1							
8	1	105025-59760	PIPE, FUEL	1							
8-1	1	23980-730240	HOSE, 7.3X 240	1							N
(A=E02790)											
9	1	121250-49110	JOINT, PIPE	1							
10	1	121855-59880	JOINT, PIPE	1							
11	1	121855-59880	JOINT, PIPE	1							
12	1	23000-013000	CLAMP, 13	4							
13	1	23414-120000	GASKET, 12X1.0	4							\$
13-1	1	43400-500450	SEAL WASHER 12S	4							N \$
(A=E02002)											
14	1	23414-140000	GASKET, 14X1.0	3							\$
14-1	1	43400-500470	SEAL WASHER 14S	3							N \$
(A=E02002)											
15	1	23414-140000	GASKET, 14X1.0	2							\$
15-1	1	43400-500470	SEAL WASHER 14S	2							N \$
(A=E02002)											
16	1	23857-060000	BOLT, JOINT 6	1							
17	1	23857-080000	BOLT, JOINT 8	1							
18	1	101304-59020	JOINT, PIPE 12	1							
19	1	124066-59100	CLIP, HOSE 8	9							
20	1	129495-59300	BOLT, PIPE JOINT	1							
21	1	129470-59530	JOINT, PIPE	1							
22	1	119000-59550	PIPE, FUEL RETURN	3							
23	1	119000-59560	PIPE, FUEL RETURN	1							
24	1	129150-59580	CAP	1							
25	1	129255-59580	PIPE, FUEL	1							
26	1	129100-59951	VALVE ASSY, CHECK	1							
34	1	23000-013000	CLAMP, 13	2							
35	1	23414-080000	GASKET, 8X1.0	1							\$
36	1	23414-120000	GASKET, 12X1.0	2							\$
36-1	1	43400-500450	SEAL WASHER 12S	2							N \$
(A=E02002)											
37	1	23414-140000	GASKET, 14X1.0	2							\$
37-1	1	43400-500470	SEAL WASHER 14S	2							N \$
(A=E02002)											
38	1	26106-080102	BOLT, M8X 10 PLATED	1							
39	1	119000-55600	FILTER, FUEL	1							
40	1	129470-55610	BODY, STRAINER	1							
41	1	26106-100252	BOLT, M10X 25 PLATED	2							

Remarks

(S) THESE PARTS ARE SOLD BY FIG.19,
REF.NO.1,1-1.

N:Old $\xrightarrow{\text{Yes}}$ New, Q:Old $\xrightarrow{\text{No}}$ New, R:Old $\xrightarrow{\text{Yes}}$ New, S:Old $\xrightarrow{\text{No}}$ New, W:Add, Z:Discontinued, F:Interchangeable by set, K:Q'ty Change

Fig.17. STARTING MOTOR

(A)=4TN100L-FB

(B)=

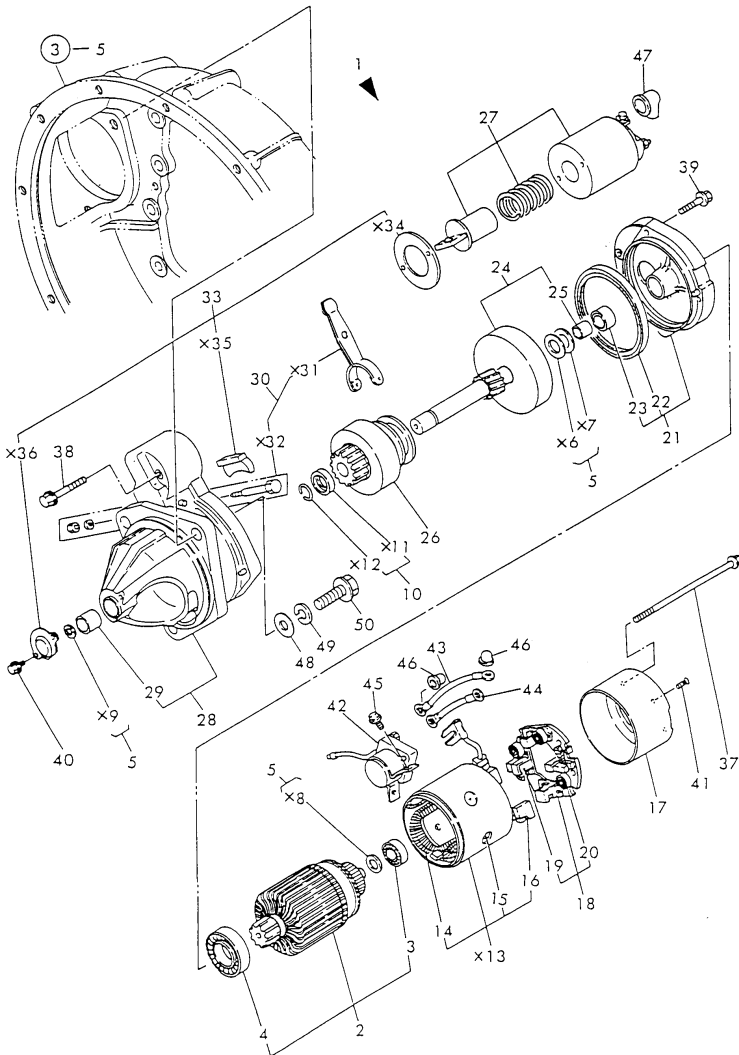
(C)=

(D)=

(E)=

(F)=

No.	Lev.	Parts No.	Description	Qty						I	R
				(A)	(B)	(C)	(D)	(E)	(F)		
1	1	124617-77010	STARTER, 24V-4KW	1							
1-1	1	124617-77011	STARTING MOTOR	1							N
				(A=E01964)							
2	2	119129-77400	ARMATURE ASSY	1							
3	3	121254-77410	BALL BEARING	1							
4	3	121254-77420	BALL BEARING	1							
5	2	121254-77430	WASHER KIT, THRUST	1							
10	2	119129-77670	STOPPER SET, PINION	1							
14	3	119129-77440	COIL ASSY, FIELD	1							
15	3	121254-77530	SCREW, POLE CORE	4							
16	3	119129-77460	BRUSH(+)	2							
17	2	119129-77530	COVER, REAR	1							
18	2	119129-77470	HOLDER ASSY, BRUSH	1							
19	3	119129-77480	BRUSH(-)	2							
20	3	121254-77590	SPRING, BRUSH	4							
21	2	121254-77600	BEARING ASSY, CENTER	1							
22	3	119129-77210	SEAL, OIL	1							
23	3	119129-77220	BEARING, NEEDLE	1							
24	2	121254-77610	SEAL, OIL	1							
25	3	121254-77650	INNER	1							
26	2	119129-77630	PINION ASSY	1							
27	2	119129-77640	SWITCH ASSY, MAGNETIC	1							
28	2	119129-77650	CASE ASSY, GEAR	1							
29	3	119129-77660	BEARING, METAL	1							
30	2	121254-77700	LEVER SET, SHIFT	1							
33	2	121254-77730	DUST COVER SET	1							
37	2	121254-77770	BOLT, THROUGH	2							
38	2	26106-060452	BOLT, M6X 45 PLATED	2							
39	2	26106-060302	BOLT, M6X 30 PLATED	3							
40	2	26450-050122	BOLT, M5X 12	2							
41	2	26557-040122	SCREW, M4X12	2							
42	2	119129-77700	RELAY, STARTER	1							
43	2	119129-77710	WIRE-HARNESS	1							
44	2	119129-77720	WIRE-HARNESS	1							
45	2	26116-050082	BOLT, M5X 8 PLATED	2							
46	2	119129-77740	COVER, TERMINAL	3							
47	2	121254-77810	COVER, TERMINAL	1							
48	1	22137-120000	WASHER, 12	3							
49	1	22217-120000	WASHER, SPRING 12	3							
50	1	26116-120352	BOLT, M12X 35 PLATED	3							



U71090-77110

×印部品は単品販売致しません
 ×MARK PARTS : NOT SOLD SEPARATELY

Fig.18. GENERATOR

(A)=4TN100L-FB

(B)=

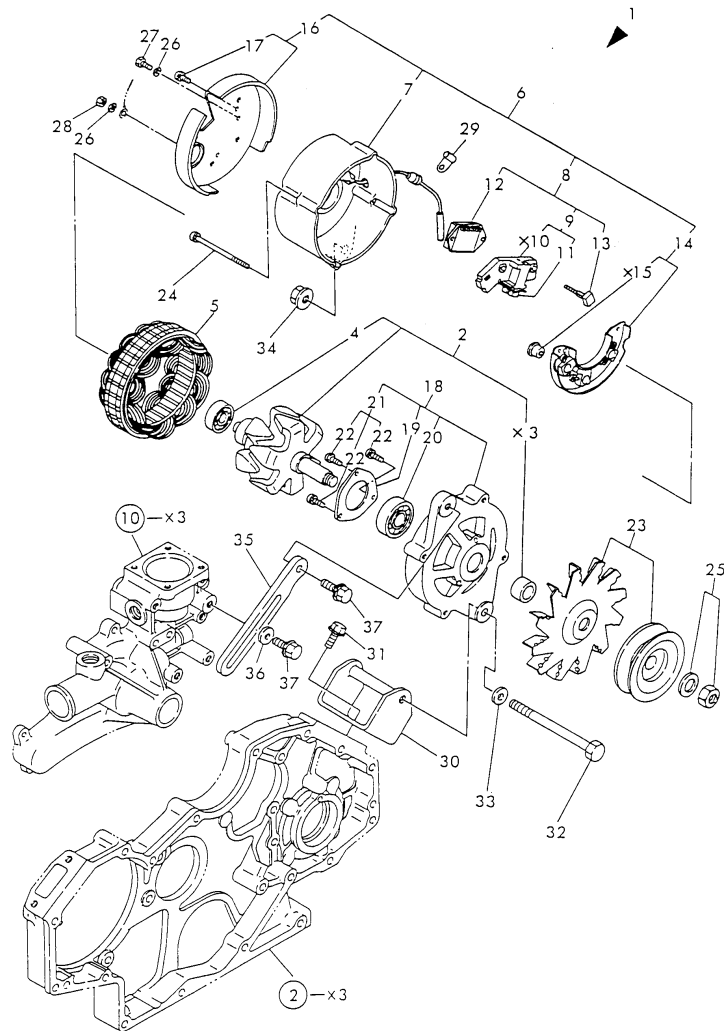
(C)=

(D)=

(E)=

(F)=

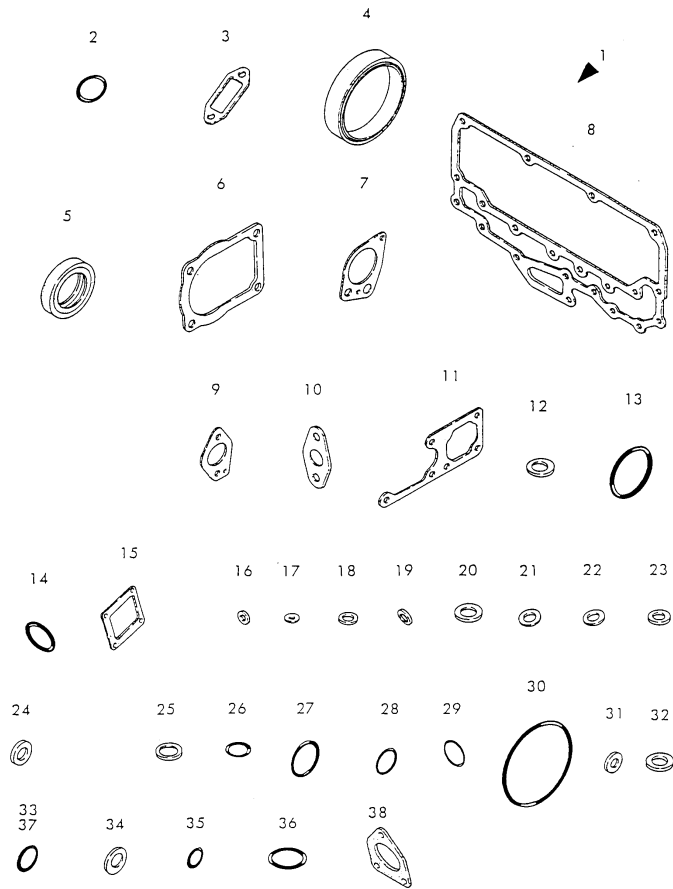
D19129-77201
D19100-77300



No.	Lev.	Parts No.	Description	Q'ty						I	R
				(A)	(B)	(C)	(D)	(E)	(F)		
1	1	119129-77201	GENERATOR	1							
1-1	1	119129-77202	GENERATOR	1							N
(A=E01964)											
2	2	119129-77300	ROTOR ASSY	1							
2-1	2	119129-77301	ROTOR ASSY.(NON-ASB.)	1							N
(A=E02273)											
4	3	119129-77320	BALL BEARING	1							Z
(A=E02273)											
5	2	119129-77960	STATOR ASSY	1							
6	2	119129-77331	COVER ASSY, REAR	1							
7	3	119129-77341	COVER, REAR	1							
8	3	119129-77350	BRUSH ASSY,REGULATOR	1							
9	4	119129-77380	BUSH ASSY	2							
11	4	119129-77810	BUSH SET	2							Z
(A=E02273)											
12	4	119129-77820	REGULATOR ASSY, I.C.	1							
13	4	124080-77520	BOLT M5	2							
14	3	119129-77360	DIODE ASSY	1							
16	3	119129-77370	COVER	1							
17	4	26023-050102	SCREW, M5X10	3							
18	2	119129-77840	COVER ASSY, FRONT	1							
19	3	119129-77870	RETAINER, BEARING	1							
20	3	119129-77850	BALL BEARING	1							
21	2	119129-77930	SCREW KIT	1							
22	3	26023-050122	SCREW, M5X12	3							
22-1	3	26022-050122	SCREW, M5X12	3							N
(A=E01359)											
23	2	119129-77880	PULLEY ASSY	1							
24	2	119129-77890	BOLT, THROUGH	4							
25	2	119129-77900	NUT ASSY, PULLEY	1							
26	2	22217-050000	WASHER, SPRING 5	2							
27	2	26116-050122	BOLT, M5X 12 PLATED	1							
28	2	26756-050002	NUT, LOCK M5	1							
29	2	119129-77260	CLAMP	1							
30	1	119000-77250	BRACKET, GENERATOR	1							
31	1	26106-080202	BOLT, M8X 20 PLATED	2							
32	1	26116-101202	BOLT, M10X120 PLATED	1							
33	1	22137-100000	WASHER, 10	1							
34	1	26366-100002	NUT, M10	1							
35	1	121522-77330	ADJUSTER	1							
36	1	106100-55800	WASHER	1							
36-1	1	121236-77340	SPACER	1							N
(A=E02273)											
37	1	26106-080202	BOLT, M8X 20 PLATED	2							
37-1	1	26106-080222	BOLT, M8X 22 PLATED	2							N
(A=E02273)											

×印部品ハ単品販売致シマセン
×MARK PARTS : NOT SOLD SEPARATELY

Fig.19. GASKET SET(CYLINDER BLOCK)



No.	Lev.	Parts No.	Description	Q'ty						I	R
				(A)	(B)	(C)	(D)	(E)	(F)		
1	1	719129-99012	GASKET SET, BLOCK	1							1
1-1	1	719129-99013	GASKET SET, BLOCK	1							N 1
(A=E01859)											
2	2	24321-000350	O-RING, 1AG35.0	2							
2-1	2	24321-000350	O-RING, 1AG35.0	1							K
(A=E01859)											
3	2	119000-01770	GASKET	1							
3-1	2	119000-01771	GASKET	1							N
(A=E01934)											
4	2	124411-01780	SEAL, HTC95X115X12	1							
5	2	121850-01800	SEAL, OIL	1							
6	2	124610-01861	GASKET	1							
6-1	2	124610-01862	GASKET	1							N
(A=E01934)											
7	2	119000-32020	GASKET, PUMP	1							
8	2	119000-33020	GASKET	1							
8-1	2	119000-33021	GASKET	1							N
(A=E01934)											
9	2	119000-33040	GASKET	1							
9-1	2	119000-33041	GASKET	1							N
(A=E01934)											
10	2	121952-33070	GASKET, COOLER	2							
10-1	2	121952-33071	GASKET, COOLER	2							N
(A=E01934)											
11	2	119000-42020	GASKET, WATER PUMP	1							
11-1	2	119000-42021	GASKET, WATER PUMP	1							N
(A=E01934)											
12	2	124465-44950	GASKET, 16	2							
13	2	124410-51960	O-RING	1							
14	2	121820-52260	O-RING	1							
15	2	120323-61070	GASKET	1							
16	2	23414-080000	GASKET, 8X1.0	2							
17	2	23414-080000	GASKET, 8X1.0	1							
18	2	23414-120000	GASKET, 12X1.0	4							
18-1	2	43400-500450	SEAL WASHER 12S	4							N
(A=E02002)											
19	2	23414-120000	GASKET, 12X1.0	2							
19-1	2	43400-500450	SEAL WASHER 12S	2							N
(A=E02002)											
20	2	43400-500450	SEAL WASHER 12S	2							
21	2	23414-140000	GASKET, 14X1.0	3							
21-1	2	43400-500470	SEAL WASHER 14S	3							N
(A=E02002)											
22	2	23414-140000	GASKET, 14X1.0	2							
22-1	2	43400-500470	SEAL WASHER 14S	2							N
(A=E02002)											
23	2	23414-140000	GASKET, 14X1.0	2							
23-1	2	43400-500470	SEAL WASHER 14S	2							N
(A=E02002)											
24	2	23414-160000	GASKET, 16X1.0	1							
25	2	23414-180000	GASKET, 18X1.0	2							

Remarks
(1) OPTIONAL PART.

Fig.19. GASKET SET(CYLINDER BLOCK)

(A)=4TN100L-FB

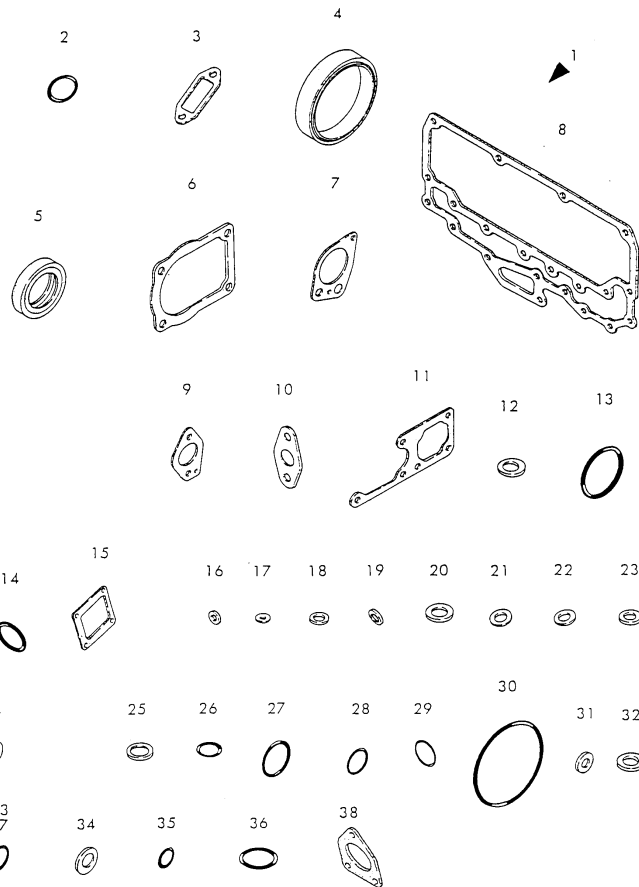
(B)=

(C)=

(D)=

(E)=

(F)=



No.	Lev.	Parts No.	Description	Q'ty						I	R
				(A)	(B)	(C)	(D)	(E)	(F)		
26	2	24311-000220	O-RING, 1AP22.0	1							
27	2	24311-000360	O-RING, 1AP36.0	1							
28	2	24341-000240	O-RING, 1AS24.0	1							
29	2	24341-000240	O-RING, 1AS24.0	1							
30	2	24341-001350	O-RING, 1AS135.0	1							
31	2	43400-500420	SEAL WASHER 8	1							
32	2	43400-500500	SEAL WASHER 16	1							
33	2	24311-000320	O-RING, 1AP32.0	1							
34	2	23414-220000	GASKET, 22X1.0	2							
35	2	24311-240100	O-RING, 1AP10A	1							
36	2	121420-01760	O-RING	1							W
		(A=E02133)									
37	2	24311-000320	O-RING, 1AP32.0	2							W
		(A=E02133)									
38	2	124410-51860	GASKET	1							W
		(A=*1989.)									
38-1	2	124410-51861	GASKET	1							N
		(A=E01964)									

Remarks
(1) OPTIONAL PART.

Fig.20. GASKET SET(CYLINDER HEAD)

(A)=4TN100L-FB

(B)=

(C)=

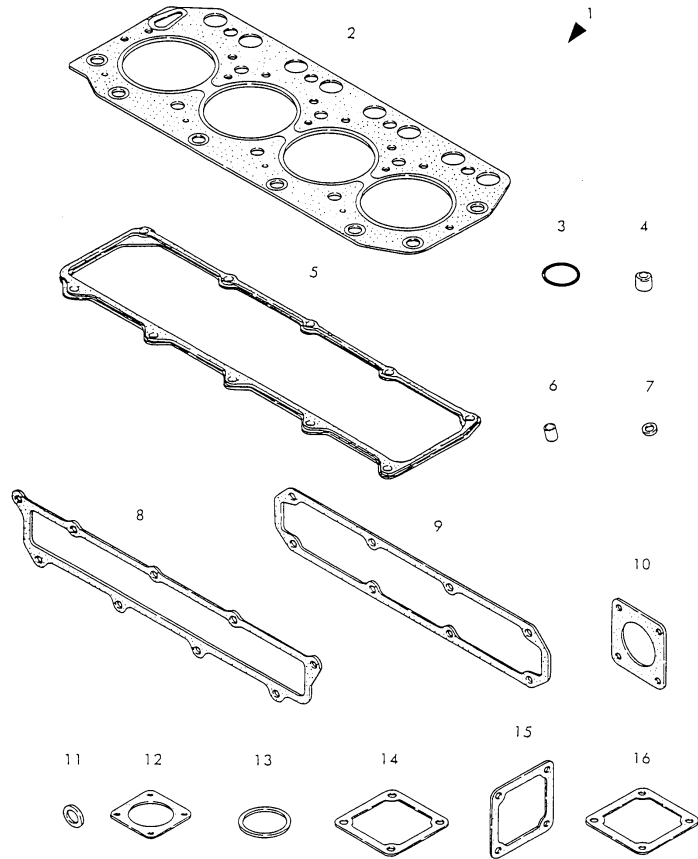
(D)=

(E)=

(F)=

Q'ty

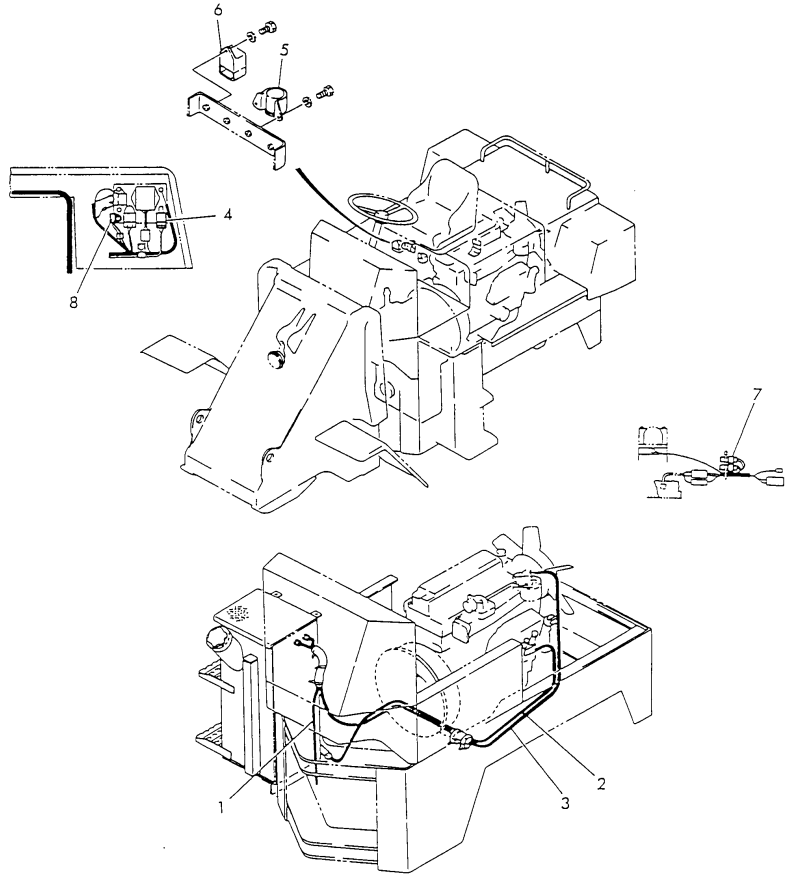
No.	Lev.	Parts No.	Description	Q'ty						I	R
				(A)	(B)	(C)	(D)	(E)	(F)		
1	1	719129-99021	GASKET SET, HEAD	1							1
1-1	1	719129-99022	GASKET SET, HEAD	1							N 1
(A=E01723)											
1-2	1	719129-99023	GASKET SET, HEAD	1							N 1
(A=E01723)											
2	2	119100-01310	GASKET, HEAD T=1.3	1							
2-1	2	119100-01340	GASKET, HEAD T=1.3	1							N
(A=E01723)											
3	2	121420-01760	O-RING	1							
4	2	121850-11150	SEAL, VALVE STEM	8							
5	2	119100-11320	GASKET, BONNET	1							
6	2	119625-11870	PROTECTOR, NOZZLE	4							
7	2	119625-11880	SEAT, NOZZLE	4							
8	2	119100-12111	GASKET, MANIFOLD	1							
8-1	2	119100-12112	GASKET, MANIFOLD	1							N
(A=E01934)											
9	2	119100-13200	GASKET	1							
10	2	129400-13200	GASKET, SILENCER	1							
10-1	2	129400-13201	GASKET, SILENCER	1							N
(A=E01934)											
11	2	124465-44950	GASKET, 16	2							
12	2	121850-49540	GASKET, THERMOSTAT	1							
13	2	121850-49550	GASKET, THERMOSTAT	1							
14	2	119129-77020	GASKET	1							
15	2	121850-77020	GASKET	1							
15-1	2	121850-77021	GASKET	1							N
(A=E01934)											
16	2	121850-77020	GASKET	1							
16-1	2	121850-77021	GASKET	1							N
(A=E01934)											



Remarks
(1) OPTIONAL PART.

Fig.21. ACCESSORY PARTS

019129-93100



(A)=4TN100L-FB
(B)=
(C)=

(D)=
(E)=
(F)=

No.	Lev.	Parts No.	Description	Q'ty						I	R
				(A)	(B)	(C)	(D)	(E)	(F)		
1	1	171058-59010	PIPE, FUEL	1							
2	1	121256-59572	PIPE, FUEL OIL	1							
3	1	121576-59570	PIPE, FUEL L=2650	1							
4	1	129111-77100	RELAY, SAFETY	1							
5	1	119129-77910	RELAY, MAGNETIC	1							
6	1	119129-77920	TIMER	1							
7	1	119643-66900	DIODE	2							
8	1	160970-77350	RECTIFIER, ZR2117	2							

Parts No. Index

Parts No.	Fig. No.	Ref. No.
101304-59020	16	1
		18
103854-59191	16	3
105025-59530	16	7
105025-59760	16	8
106100-55800	8	17
	18	36
114250-53080	15	5
114250-53120	15	9
114250-53130	15	10
114250-53140	15	11
114250-53210	15	12
		12 -1
114250-53400	15	13
119000-01200	1	38
119000-01590	2	14
119000-01760	2	6
119000-01770	2	7
	19	3
119000-01771	2	7 -1
	19	3 -1
119000-01840	1	11
119000-01930	2	18
119000-02020	1	12
119000-02410	1	5
119000-02450	8	2
119000-07200	6	37
119000-11110	6	12
119000-11230	6	25 -1
119000-11260	6	28
119000-11270	6	29
119000-11280	6	30
119000-11290	6	31
119000-11810	6	5
119000-14100	8	3
119000-14200	8	6
119000-22000	9	15
119000-22300	9	23
119000-23910	9	27
119000-25050	1	21
119000-25100	8	9
119000-25900	8	13
119000-25910	8	14
119000-25920	8	15
119000-25930	8	11
119000-32001	4	21
119000-32020	4	37
	19	7
119000-32082	4	23
119000-33020	11	3

Parts No.	Fig. No.	Ref. No.
119000-33020	19	8
119000-33021	11	3 -1
	19	8 -1
119000-33030	11	4
119000-33040	11	5
	19	9
119000-33041	11	5 -1
	19	9 -1
119000-33050	11	6
119000-35140	1	36
119000-39650	1	23
119000-42020	10	20
	19	11
119000-42021	10	20 -1
	19	11 -1
119000-42050	10	4
119000-42051	10	4 -1
119000-42120	10	5
119000-42121	10	5 -1
119000-42140	10	6
119000-42141	10	6 -1
119000-42150	10	7
119000-42151	10	7 -1
119000-42200	10	8
119000-42201	10	8 -1
119000-42240	10	9 -1
119000-42260	10	10
119000-42261	10	10 -1
119000-48170	10	29
119000-51050	12	5
119000-51101	12	12
119000-51250	12	24
119000-51410	12	34
119000-51900	12	65
119000-52000	14	1 -1
119000-52100	14	7 -1
119000-53000	15	2
119000-55600	16	39
119000-59550	16	22
119000-59560	16	23
119000-61470	13	61
119000-61630	13	44
119000-61700	13	133
119000-61830	13	56
119000-61870	13	62
119000-61880	13	101
119000-61890	13	102
119000-77250	18	30
119005-35100	4	40 -1
119006-03090	5	13

Parts No.	Fig. No.	Ref. No.
119006-42000	10	2
119006-42001	10	2 -1
119006-59110	16	2 -1
119084-01600	2	2
119084-01610	2	1
119100-01310	1	39
	20	2
119100-01340	1	39 -1
	20	2 -1
119100-01640	3	1 -1
119100-01980	1	40
119100-11240	6	22
119100-11250	6	27
119100-11320	5	9
	20	5
119100-12111	7	6
	20	8
119100-12112	7	6 -1
	20	8 -1
119100-12120	7	3
119100-13200	7	14
	20	9
119100-14000	8	1
119100-35100	4	40
119100-39350	4	41
119100-51080	12	9
119100-51081	12	9 -1
119100-51090	12	10
119100-51091	12	10 -1
119100-59810	15	24
119100-59820	15	25
119100-59830	15	26
119100-59840	15	27
119100-61430	13	29 -1
119100-61440	13	30
		107
119129-01550	4	5
119129-01600	3	5
119129-12040	7	24
119129-21580	9	12
119129-21650	9	8
119129-26070	2	34
119129-26200	2	32
119129-34800	4	16
119129-34801	4	16 -1
119129-34810	4	46
119129-34811	4	46 -1
119129-35090	4	17
119129-42260	10	23
119129-42280	10	24

Parts No.	Fig. No.	Ref. No.
119129-44740	10	25 -1
119129-44760	10	26
119129-61850	13	59
119129-77020	7	17
	20	14
119129-77201	18	1
119129-77202	18	1 -1
119129-77210	17	22
119129-77220	17	23
119129-77260	18	29
119129-77300	18	2
119129-77301	18	2 -1
119129-77320	18	4
119129-77331	18	6
119129-77341	18	7
119129-77350	18	8
119129-77360	18	14
119129-77370	18	16
119129-77380	18	9
119129-77400	17	2
119129-77440	17	14
119129-77460	17	16
119129-77470	17	18
119129-77480	17	19
119129-77500	7	18
119129-77520	7	19
119129-77530	17	17
119129-77630	17	26
119129-77640	17	27
119129-77650	17	28
119129-77660	17	29
119129-77670	17	10
119129-77700	17	42
119129-77710	17	43
119129-77720	17	44
119129-77740	17	46
119129-77810	18	11
119129-77820	18	12
119129-77840	18	18
119129-77850	18	20
119129-77870	18	19
119129-77880	18	23
119129-77890	18	24
119129-77900	18	25
119129-77910	21	5
119129-77920	21	6
119129-77930	18	21
119129-77960	18	5
119141-92610	11	1 -1
119225-11740	2	35

Parts No. Index

Parts No.	Fig. No.	Ref. No.
119225-11750	2	36
119260-34810	4	7
119620-49290	1	24
119625-11870	6	17
	20	6
119625-11880	6	18
	20	7
119625-11900	6	19
119643-66900	21	7
119646-39910	4	47
119660-42310	10	11 -1
120323-61060	13	5
120323-61070	13	6
	19	15
120323-61470	13	33
		108
121023-01550	2	15
121023-26061	2	39
121023-26070	2	40
121027-11742	2	31
121236-77340	18	36 -1
121250-39450	11	17
121250-49110	16	9
121254-77410	17	3
121254-77420	17	4
121254-77430	17	5
121254-77530	17	15
121254-77590	17	20
121254-77600	17	21
121254-77610	17	24
121254-77650	17	25
121254-77700	17	30
121254-77730	17	33
121254-77770	17	37
121254-77810	17	47
121256-59572	21	2
121420-01760	2	37
	19	36
	20	3
121450-42310	10	11
121522-77330	18	35
121576-59570	21	3
121820-52020	14	2
121820-52040	14	4
121820-52050	14	5
121820-52070	14	6
121820-52110	14	8
121820-52140	14	11
121820-52170	14	14
121820-52180	14	15

Parts No.	Fig. No.	Ref. No.
121820-52190	14	16
121820-52200	14	17
121820-52210	14	18
121820-52230	14	19
121820-52260	14	20
	19	14
121820-52300	14	21
121820-52400	14	22
121820-52510	14	23
121850-01800	2	14 B
		17
	19	5
121850-01900	8	12
121850-11100	6	11
121850-11120	6	13
121850-11150	6	14
	20	4
121850-11180	6	15
121850-11800	6	4
121850-21130	9	11
121850-21200	9	3
121850-21290	9	4
121850-21660	9	9
121850-21680	9	10
121850-21920	9	5
121850-23200	9	28
121850-49530	10	30
121850-49540	10	31
	20	12
121850-49550	10	32
	20	13
121850-51700	12	62
121850-61600	13	43 B
		50
121850-77020	7	4
		23
	20	15
		16
121850-77021	7	4 -1
		23 -1
	20	15 -1
		16 -1
121855-59111	16	2
121855-59880	16	10
		11
121952-33070	11	7
	19	10
121952-33071	11	7 -1
	19	10 -1
121952-51900	12	66

Parts No.	Fig. No.	Ref. No.
122710-51050	12	6
122710-51350	12	32
122710-51920	12	68
123385-82200	6	6
123472-59090	15	20
124060-59380	16	5
124066-59100	16	19
124080-77520	18	13
124160-01751	2	9
	5	2
124250-11190	6	16
124250-42240	10	9
124410-51860	12	64
	14	26
	19	38
124410-51861	14	26 -1
	19	38 -1
124410-51960	8	16
	12	8
	19	13
124411-01780	3	3
	19	4
124465-44950	10	18
		35
	19	12
	20	11
124610-01851	2	16
124610-01861	2	19
	19	6
124610-01862	2	19 -1
	19	6 -1
124617-77010	17	1
124617-77011	17	1 -1
124766-49160	1	49
124766-59050	1	50
127410-21480	9	14
128400-51300	12	27
129100-01580	1	27
		28
		29
	2	5
129100-59951	16	26
129100-61930	13	60
129111-77100	21	4
129150-03100	5	14
129150-11230	6	25
129150-11750	6	26
129150-14400	8	7
129150-49360	10	34
129150-59580	16	24

Parts No.	Fig. No.	Ref. No.
129155-51270	12	25
129155-51280	12	26
129155-61090	13	7
129155-61450	13	31
129155-61460	13	31 -2
129255-59580	16	25
129400-13200	7	22
	20	10
129400-13201	7	22 -1
	20	10 -1
129470-55610	16	40
129470-59530	16	21
129470-61450	13	31 -1
129495-59300	16	20
129795-11750	3	6
135400-01790	1	10
135602-34390	1	22
137600-53900	12	71
144626-51090	12	11
144626-51950	12	70
160970-77350	21	8
171051-01921	1	4
171058-59010	21	1
171091-61550	13	109
171301-01640	4	2
194990-22050	7	13
21577-060202	10	13
21577-080162	10	14
22117-050000	13	63
22117-120000	4	10
22137-080000	13	64
		64 -1
22137-100000	18	33
22137-120000	17	48
22190-060000	12	72
22217-050000	13	67
		67 -1
		103
	18	26
22217-060000	12	73
	13	65
	14	24
22217-100000	13	66
22217-120000	17	49
22217-180000	8	18
22242-000180	6	32
22252-000340	9	24
22272-000040	13	43 A
		68
		68 -1

Parts No. Index

Parts No.	Fig. No.	Ref. No.
22272-000080	13	70
22351-030010	1	30
22351-030016	13	57
		71
22351-050012	8	19
22351-050020	13	73
22351-080016	1	31
22360-050000	13	74
22372-050000	13	74 -1
22417-120120	13	106 B
22417-160120	13	106
22453-060000	13	75 -1
22512-070140	8	5
	9	6
23000-013000	16	12
		34
23000-022000	5	15
23000-090000	7	25
23414-080000	4	42
	16	35
	19	16
		17
23414-100000	1	32
23414-120000	16	13
		36
	19	18
		19
23414-140000	1	33
	16	14
		15
		37
	19	21
		22
		23
23414-160000	11	13
	19	24
23414-170000	11	14 -1
23414-180000	11	14
	19	25
23414-220000	4	48
	19	34
23414-220029	12	74
23857-030000	1	34
	4	43
23857-060000	16	16
23857-080000	16	17
23857-180000	4	49
23871-010000	1	6
23871-020000	1	35
	10	12

Parts No.	Fig. No.	Ref. No.
23871-030000	1	7
	2	4
	4	8
	6	7
	10	15
	11	15
23887-080002	13	78
		134
23887-160002	10	19
		36
	11	16
	13	79
23980-730240	16	8 -1
24101-060064	2	33
24105-060064	2	33 -1
24311-000110	13	80
24311-000220	4	18
	19	26
24311-000320	2	38
	5	3
	19	33
		37
24311-000360	10	21
	19	27
24311-240100	4	44
	19	35
24312-000150	12	75
24321-000350	2	10
		10 -1
	19	2
		2 -1
24341-000080	13	81
24341-000240	2	20
	4	4
	19	28
		29
24341-000260	12	76
24341-000500	12	77
24341-001350	8	20
	19	30
26013-060162	4	35
26013-060252	4	36
26013-080162	4	19
26013-080452	1	37
26013-100202	10	27
26014-060142	10	33
26022-050122	18	22 -1
26023-050102	18	17
26023-050122	18	22
26106-060122	2	21 -1

Parts No.	Fig. No.	Ref. No.
26106-060122	13	42
26106-060182	2	21
	12	78
26106-060202	12	81
	15	22
26106-060222	13	84
		84 -1
26106-060302	17	39
26106-060352	13	85
26106-060452	17	38
26106-080102	16	38
26106-080142	7	5
26106-080162	1	41
	4	20
		38
	8	8
26106-080182	2	22
26106-080202	2	11
		23
	7	7
	11	18
		19
	18	31
		37
26106-080222	18	37 -1
26106-080252	2	8
	3	4
	5	10
	8	21
26106-080302	4	11
26106-080352	4	12
	11	20
		21
26106-080402	2	24
	7	15
		20
26106-080452	2	25
		26
26106-080502	2	27
	4	39
	7	16
	11	22
26106-080552	2	28
26106-080602	10	16
26106-080652	6	34
	10	22
26106-080702	4	13
	7	8
26106-080752	2	29
26106-080852	4	14

Parts No.	Fig. No.	Ref. No.
26106-080902	2	30
	7	21
26106-081152	7	9
26106-100162	4	45
26106-100202	2	41
	6	38
26106-100252	3	7
	16	41
26106-100302	3	8
26116-050082	17	45
26116-050102	13	82
26116-050122	18	27
26116-050252	13	104
26116-060256	13	86
26116-060356	13	87
26116-080142	13	105
26116-101202	18	32
26116-120352	17	50
26116-120852	4	15
26216-060162	12	79
26216-060252	6	20
26216-080222	7	12
26216-080652	6	21
26366-060002	6	35
	15	23
26366-080002	6	36
	12	80
26366-100002	8	22
	18	34
26376-100002	11	23
26376-120002	13	88
26450-050122	17	40
26450-080502	10	28
26557-040122	17	41
26577-060202	10	13 -1
26577-080162	10	14 -1
26606-100002	13	89 -1
26716-060002	12	82
	14	25
26716-080002	10	17
26726-080002	10	17 -1
26736-100002	13	89
26756-050002	18	28
26756-080002	13	90 -1
26757-080002	13	90
26776-180002	8	23
26777-120002	13	69
27225-100140	4	9
27231-600000	1	42
27241-100000	6	33

Parts No. Index

Parts No.	Fig. No.	Ref. No.
27241-140000	1	8
27241-160000	6	8
27241-280000	6	9
27241-400000	1	9
	6	10
42421-500250	10	25
43400-500390	16	6
43400-500420	2	12
	13	91
		135
	19	31
43400-500450	13	76
	16	13 -1
		36 -1
	19	18 -1
		19 -1
		20
43400-500470	16	14 -1
		15 -1
		37 -1
	19	21 -1
		22 -1
		23 -1
43400-500500	13	77
	19	32
719000-02800	1	15
719000-02870	1	43
719000-02930	1	18
719000-02940	1	46
719000-22500	9	17
719000-22900	9	31
719000-22950	9	33
719000-23100	9	25
719000-23600	9	29
719000-23610	9	39
719000-52500	14	7
719000-52700	14	1
719100-21700	9	1
719129-01540	4	1
719129-01560	1	1
719129-01600	2	13
719129-01650	3	1
719129-11521	5	1
719129-11650	6	23
719129-11700	6	1
719129-12100	7	1
719129-13500	7	10
719129-33100	11	1
719129-42000	10	1
719129-51300	12	1

Parts No.	Fig. No.	Ref. No.
719129-53100	15	1
719129-99012	19	1
719129-99013	19	1 -1
719129-99021	20	1
719129-99022	20	1 -1
719129-99023	20	1 -2

Parts No.	Fig. No.	Ref. No.
-----------	----------	----------

Parts No.	Fig. No.	Ref. No.
-----------	----------	----------