

0CD10-M31901EN

PREFACE

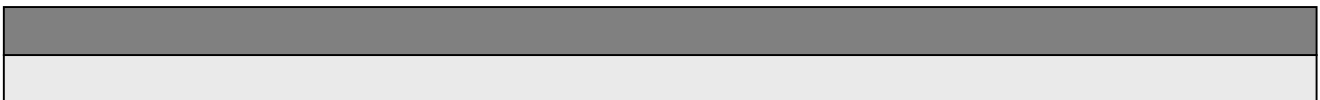
1. This Parts Catalog is the 1st edition of 4T112TL-GN Diesel Engine .

Pub. No. : 000Y00D3191

Published : May,1991

2. Model name

| Engine model | Vehicle | | Vehicle made by |
|--------------|-----------|------------|-----------------|
| | Products | Model name | |
| 4T112TL-GN | GENERATOR | — | — |



Directions for the Parts Catalog.

1. This Parts Catalog shows both standard and optional parts.
2. Parts may change without prior notice.
3. The following is an example of the Parts Catalog format.

| REF. | LEV. | PARTS NO. | DESCRIPTION | Q'TY | | | | | | I | R |
|------|------|--|---------------------|------|-----|-----|-----|-----|-----|---|---|
| | | | | (A) | (B) | (C) | (D) | (E) | (F) | | |
| 1 | 1 | 729595-51390 | FUEL INJECTION PUMP | 1 | 1 | 1 | 1 | 1 | | | 1 |
| 1-1 | 1 | 729595-51391 | FUEL INJECTION PUMP | 1 | 1 | 1 | 1 | 1 | | N | 1 |
| | | (A=E00185) (B=E00200) | | | | | | | | | |
| 3 | 2 | 26022-060162 | SCREW M 6X 16 | 9 | 9 | 9 | 9 | 9 | | | |
| 3-1 | 2 | 26022-060162 | SCREW M 6X 16 | 4 | 4 | 4 | 4 | 4 | | K | |
| | | (A=E00156) (B=E00156) (C=E00156) (D=E00156) (E=E00156) | | | | | | | | | |
| 4 | 2 | 129470-51040 | CAMSHAFT | 1 | 1 | 1 | 1 | 1 | | | |
| 5 | 2 | 122710-51050 | BEARING, ROLLER | 2 | 2 | 2 | 2 | 2 | | | |
| 6 | 2 | 129470-51060 | RETAINER | 1 | 1 | 1 | 1 | 1 | | | |

| |
|---|
| Remarks |
| (1) BOOST COMPEMSATOR TYPE. OPTIONAL PART, TO E00155,(4JH-DT, 4JH-DTZ |

① Ref. No.

The Ref. No. listed may not be in accordance with the illustration Ref. No.

(Ex.) Illustration No.

List Ref No.

1

1

(Before change)

1-1

(After change)

For interchangeable symbols N, R and K, illustrations for new parts may be abbreviated.

② Lev. (Level)

Level indication

The numbers below indicate the level of relativity towards the main part.

1 ----- Main parts (Assembly parts)

2 ----- Sub component included in " 1 ".

3 ----- Sub component included in " 2 ".

Note) Parts that are not for sale are partially illustrated but not listed.

③ Interchangeability Symbol

When a part change takes place, one of the following interchangeability symbols is indicated beside the part.

| Symbol | Interchangeability | Contents note |
|--------|---|--|
| N | Old $\begin{matrix} \leftarrow \text{Yes} \\ \text{No} \rightarrow \end{matrix}$ New | New Part is interchangeable for Old Part but Old Part is not interchangeable for New Part. |
| Q | Old $\begin{matrix} \leftarrow \text{No} \\ \text{Yes} \rightarrow \end{matrix}$ New | New Part is not interchangeable for Old Part but Old Part is interchangeable for New Part. |
| R | Old $\begin{matrix} \leftarrow \text{Yes} \\ \text{Yes} \rightarrow \end{matrix}$ New | New/ Old Parts are both interchangeable. |
| S | Old $\begin{matrix} \leftarrow \text{No} \\ \text{No} \rightarrow \end{matrix}$ New | New/ Old Parts are both not interchangeable. |
| W | | Part newly added. |
| Z | | Part discontinued. |
| F | | Not interchangeable by a single part but interchangeable together with related parts. |
| K | | Changes only for used parts quantities. |

④ Effective Machine No.

When a part changes, the effective Machine No. will be indicated in the (A)-(F) column.

| Product Symbol | Product No. | Product Symbol | Product No. |
|----------------|---------------------------|----------------|-----------------------------------|
| C | Clutch No. Compressor No. | F | Machine No. (Agricultural Equip.) |
| D | Drive No. | M | Machine No. |
| E | Engine No. | | |

Note 1) A date may follow the symbol. (Ex.) 1996.01

Note 2) "XXXXX" and "ZZZZZ" are for parts that could not be predicted or for engine models that could not be identified.

Note 3) (A=E00185) is the E (Engine Serial Number) for the column (A) model (in this case 4JH-DT) after the parts design change.

⑤ Remarks

Figures or alphabets (symbols) are entered in the remarks column.

The comments (remarks) on parts that are indicated at the bottom of the illustration are the same symbols as those stated above.

Contents

OCD10-M31901

| Fig. No. | Fig. Name |
|-------------------|--------------------------------|
| ENGINE 4T112TL-GN | |
| 1. | CYLINDER BLOCK |
| 2. | GEAR HOUSING |
| 3. | FLYWHEEL & OIL SUMP |
| 4. | CYLINDER HEAD & BONNET |
| 5. | SUCTION MANIFOLD |
| 6. | EXHAUST MANIFOLD |
| 7. | CAMSHAFT & DRIVE GEAR |
| 8. | TURBO-CHARGER |
| 9. | CRANKSHAFT & PISTON |
| 10. | LUB. OIL PUMP |
| 11. | LUB. OIL COOLLER |
| 12. | LUB. OIL FILTER |
| 13. | LUB. OIL PIPES |
| 14. | COOLLING WATER SYSTEM |
| 15. | FUEL INJECTION PUMP |
| 16. | GOVERNOR |
| 17. | FUEL FEED PUMP |
| 18. | FUEL INJECTION VALVE |
| 19. | FUEL STRAINER & WATER SEPARATE |
| 20. | FUEL OIL PIPES |
| 21. | FUEL OIL RETURN PIPES |
| 22. | REGURATOR |
| 23. | STARTING MOTOR |
| 24. | TENTION PULLEY |

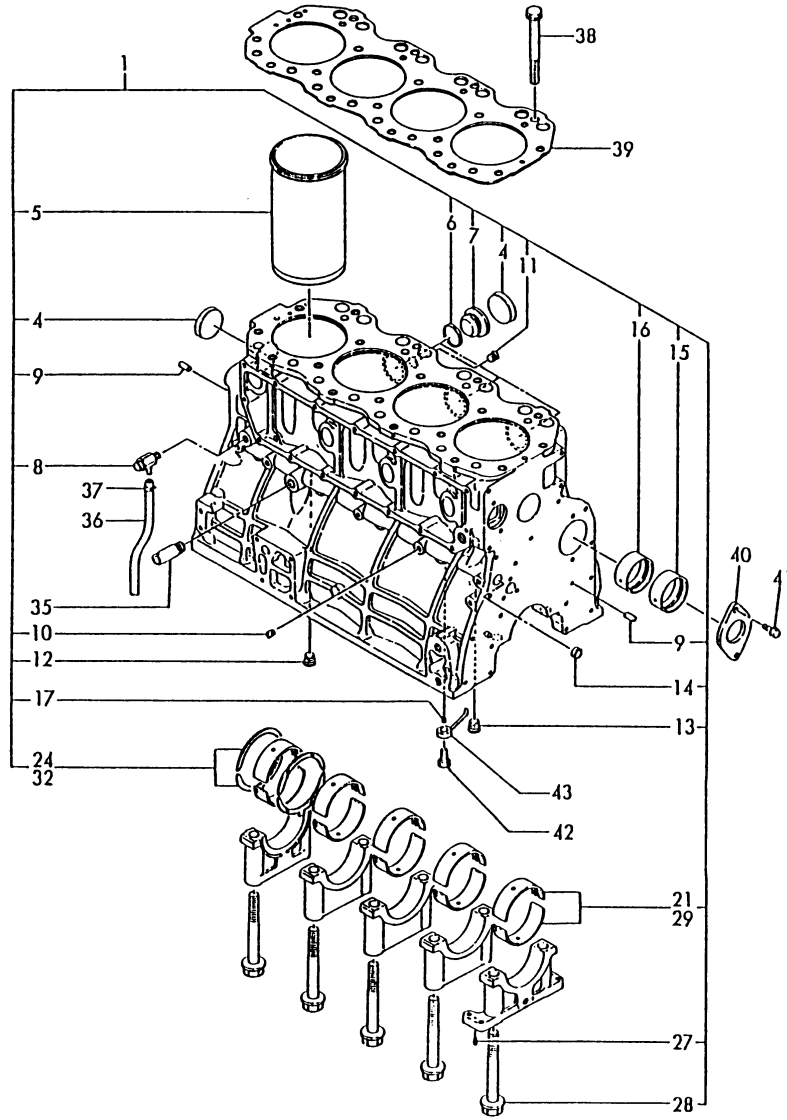
| Fig. No. | Fig. Name |
|----------|----------------------------|
| 25. | ELECTRIC PART |
| 26. | GASKET SET(CYLINDER BLOCK) |
| 27. | GASKET SET(CYLINDER HEAD) |
| 28. | TOOLS |

Fig.1. CYLINDER BLOCK

(A)=4T112TL-GN
(B)=
(C)=

(D)=
(E)=
(F)=

023650-01100
023500-02100
023500-02210
023500-39200

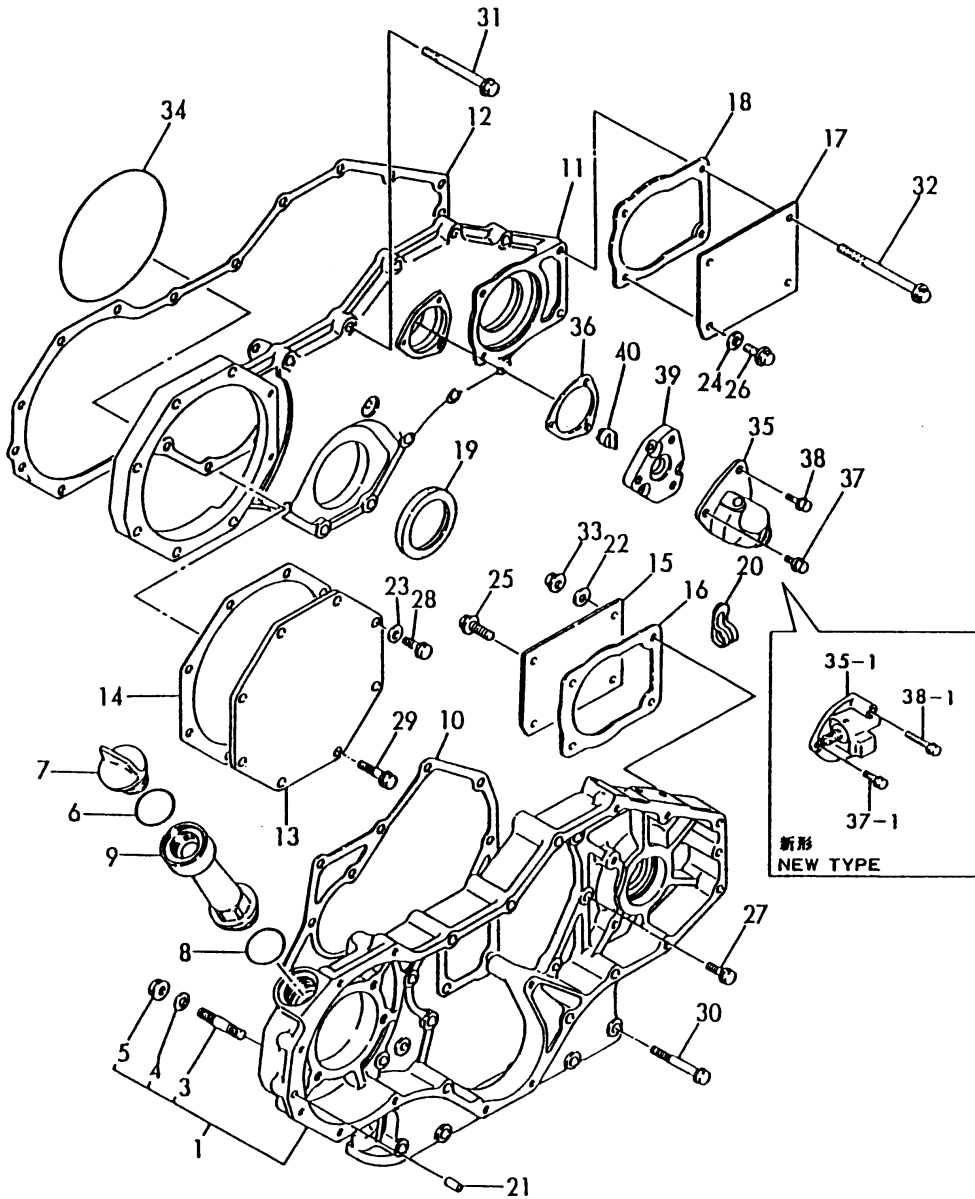


| No. | Lev. | Parts No. | Description | Q'ty | | | | | | I | R |
|----------|------|--------------|----------------------|------|-----|-----|-----|-----|-----|---|---|
| | | | | (A) | (B) | (C) | (D) | (E) | (F) | | |
| 1 | 1 | 723500-01560 | BLOCK ASSY, CYLINDER | 1 | | | | | | | |
| 4 | 3 | 27241-500000 | PLUG, 50 | 5 | | | | | | | |
| 5 | 2 | 123500-01100 | LINER, CYLINDER | 4 | | | | | | | |
| 6 | 2 | 123372-11760 | GASKET | 3 | | | | | | | |
| 7 | 2 | 145610-11890 | PLUG | 3 | | | | | | | |
| 8 | 2 | 120130-49350 | COCK, 1/4 | 1 | | | | | | | |
| 9 | 2 | 22312-080160 | PIN, PARALLEL M8X16 | 2 | | | | | | | |
| 10 | 2 | 23871-010000 | PLUG, R01 | 4 | | | | | | | |
| 11 | 2 | 23871-030000 | PLUG, R03 | 1 | | | | | | | |
| 12 | 2 | 23871-030000 | PLUG, R03 | 1 | | | | | | | |
| 13 | 2 | 23871-040000 | PLUG, R04 | 1 | | | | | | | |
| 14 | 2 | 27241-200000 | PLUG, 20 | 2 | | | | | | | |
| 15 | 2 | 144626-02400 | BUSH, CAMSHAFT | 1 | | | | | | | |
| 16 | 2 | 128610-02420 | BUSH, CAMSHAFT | 2 | | | | | | | |
| 17 | 2 | 22312-030080 | PIN, PARALLEL M3X 8 | 4 | | | | | | | |
| 21 | 2 | 723500-02800 | BEARING, MAIN | 5 | | | | | | | |
| 24 | 2 | 723500-02930 | BEARING, THRUST | 2 | | | | | | | |
| 27 | 2 | 22351-040010 | PIN, SPRING 4.0X10 | 2 | | | | | | | |
| 28 | 2 | 127610-02070 | BOLT, METAL CAP | 10 | | | | | | | |
| 29 | 1 | 123500-02870 | BEARING, 0.25 US | 5 | | | | | | | 1 |
| 32 | 1 | 123500-02940 | BEARING, THRUST 0.25 | 2 | | | | | | | 2 |
| 35 | 1 | 104407-44480 | JOINT | 1 | | | | | | | |
| 36 | 1 | 124738-49150 | PIPE, DRAIN L=300 | 1 | | | | | | | |
| 37 | 1 | 124766-59050 | CLIP, HOSE 12 | 1 | | | | | | | |
| 38 | 1 | 127610-01210 | BOLT, HEAD | 18 | | | | | | | |
| 39 | 1 | 123500-01330 | GASKET, HEAD | 1 | | | | | | | |
| 40 | 1 | 123500-02160 | RETAINER | 1 | | | | | | | Z |
| (A=EXXX) | | | | | | | | | | | |
| 41 | 1 | 26013-080202 | BOLT, M8X 20 | 2 | | | | | | | |
| 42 | 1 | 124160-39140 | BOLT, PIPE JOINT M10 | 4 | | | | | | | |
| 43 | 1 | 121952-39651 | NOZZLE | 4 | | | | | | | |

Remarks
(1) UNDER-SIZED(U.S=0.25)PART.
(2) OVER-SIZED(O.S=0.25)PART.

Fig.2. GEAR HOUSING

023560-01210
023550-01800
023550-01850
021750-91100



(A)=4T112TL-GN
(B)=
(C)=

(D)=
(E)=
(F)=

| No. | Lev. | Parts No. | Description | Q'ty | | | | | | I | R |
|------|------|--------------|---------------------|------|-----|-----|-----|-----|-----|---|---|
| | | | | (A) | (B) | (C) | (D) | (E) | (F) | | |
| 1 | 1 | 723560-01600 | CASE ASSY, GEAR | 1 | | | | | | | |
| 3 | 3 | 121850-01900 | STUD, SB10X32 | 4 | | | | | | | Z |
| | | (A=EXXX) | | | | | | | | | |
| 4 | 3 | 22137-100000 | WASHER, 10 | 4 | | | | | | | Z |
| | | (A=EXXX) | | | | | | | | | |
| 5 | 3 | 26366-100002 | NUT, M10 | 4 | | | | | | | Z |
| | | (A=EXXX) | | | | | | | | | |
| 6 | 1 | 24321-000350 | O-RING, 1AG35.0 | 1 | | | | | | | |
| 7 | 1 | 124160-01751 | COVER, FILLER | 1 | | | | | | | |
| 8 | 1 | 24321-000350 | O-RING, 1AG35.0 | 1 | | | | | | | |
| 9 | 1 | 121027-11742 | PIPE | 1 | | | | | | | |
| 10 | 1 | 123500-01510 | GASKET, GEAR CASE | 1 | | | | | | | |
| 11 | 1 | 123500-01520 | COVER, GEAR CASE | 1 | | | | | | | |
| 12 | 1 | 123500-01530 | GASKET, GEAR CASE | 1 | | | | | | | |
| 13 | 1 | 123500-01550 | COVER | 1 | | | | | | | |
| 14 | 1 | 123500-01560 | GASKET | 1 | | | | | | | |
| 15 | 1 | 124610-01851 | COVER | 1 | | | | | | | |
| 16 | 1 | 124610-01861 | GASKET | 1 | | | | | | | |
| 16-1 | 1 | 124610-01862 | GASKET | 1 | | | | | | | N |
| | | (A=E01447) | | | | | | | | | |
| 17 | 1 | 124610-01851 | COVER | 1 | | | | | | | |
| 18 | 1 | 124610-01861 | GASKET | 1 | | | | | | | |
| 18-1 | 1 | 124610-01862 | GASKET | 1 | | | | | | | N |
| | | (A=E01447) | | | | | | | | | |
| 19 | 1 | 123500-01900 | SEAL, OIL | 1 | | | | | | | |
| 20 | 1 | 194440-51620 | CLAMP | 1 | | | | | | | |
| 21 | 1 | 22312-080160 | PIN, PARALLEL M8X16 | 4 | | | | | | | |
| 22 | 1 | 43400-500410 | SEAL WASHER 8S | 2 | | | | | | | |
| 23 | 1 | 23414-080000 | GASKET, 8X1.0 | 2 | | | | | | | |
| 24 | 1 | 23414-080012 | GASKET, 8X1.0 | 2 | | | | | | | |
| 25 | 1 | 26106-080162 | BOLT, M8X 16 PLATED | 2 | | | | | | | |
| 26 | 1 | 26106-080162 | BOLT, M8X 16 PLATED | 2 | | | | | | | |
| 27 | 1 | 26106-080202 | BOLT, M8X 20 PLATED | 6 | | | | | | | |
| 28 | 1 | 26106-080202 | BOLT, M8X 20 PLATED | 2 | | | | | | | |
| 29 | 1 | 26106-080352 | BOLT, M8X 35 PLATED | 12 | | | | | | | |
| 30 | 1 | 26106-080602 | BOLT, M8X 60 PLATED | 4 | | | | | | | |
| 31 | 1 | 26106-080802 | BOLT, M8X 80 PLATED | 6 | | | | | | | |
| 32 | 1 | 26106-081002 | BOLT, M8X100 PLATED | 2 | | | | | | | |
| 33 | 1 | 26366-080002 | NUT, M8 | 2 | | | | | | | |
| 34 | 1 | 124410-51960 | O-RING | 1 | | | | | | | |
| 35 | 1 | 46150-505170 | ELBOW | 1 | | | | | | | |
| 35-1 | 1 | 121750-91400 | GEAR | 1 | | | | | | | S |
| | | (A=EXXX) | | | | | | | | | |
| 36 | 1 | 124250-91412 | GASKET | 1 | | | | | | | |
| 37 | 1 | 26106-060142 | BOLT, M6X 14 PLATED | 3 | | | | | | | |
| 37-1 | 1 | 26106-060142 | BOLT, M6X 14 PLATED | 2 | | | | | | | K |
| | | (A=EXXX) | | | | | | | | | |
| 38 | 1 | 26106-060182 | BOLT, M6X 18 PLATED | 2 | | | | | | | |
| 38-1 | 1 | 26106-060302 | BOLT, M6X 30 PLATED | 1 | | | | | | | S |
| | | (A=EXXX) | | | | | | | | | |
| 39 | 1 | 170064-91410 | SPACER | 1 | | | | | | | Z |

N:Old \xrightarrow{Yes} New, Q:Old \xrightarrow{No} New, R:Old \xrightarrow{Yes} New, S:Old \xrightarrow{No} New, W:Add, Z:Discontinued, F:Interchangeable by set, K:Q'ty Change
 ++ CONTINUE ++
 Copyright (C) YANMAR CO., LTD. All Rights Reserved.

Fig.2. GEAR HOUSING

023560-01210
 023550-01800
 023550-01850
 021750-91100

(A)=4T112TL-GN
 (B)=
 (C)=

(D)=
 (E)=
 (F)=

| No. | Lev. | Parts No. | Description | Q'ty | | | | | | I | R |
|-----|------|--------------|-------------|------|-----|-----|-----|-----|-----|---|---|
| | | | | (A) | (B) | (C) | (D) | (E) | (F) | | |
| 40 | 1 | 170064-91430 | JOINT | 1 | | | | | | Z | |

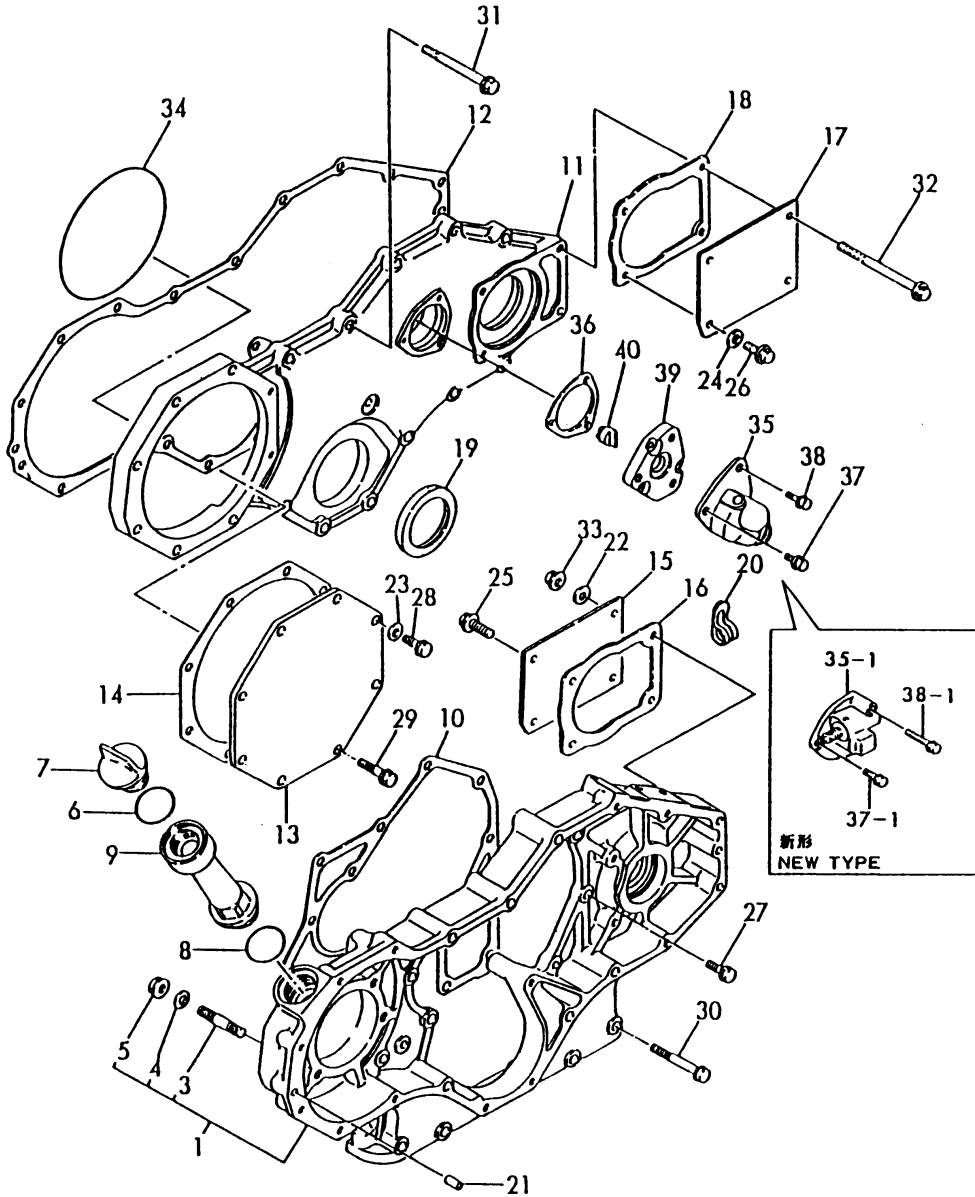


Fig.3. FLYWHEEL & OIL SUMP

(A)=4T112TL-GN

(B)=

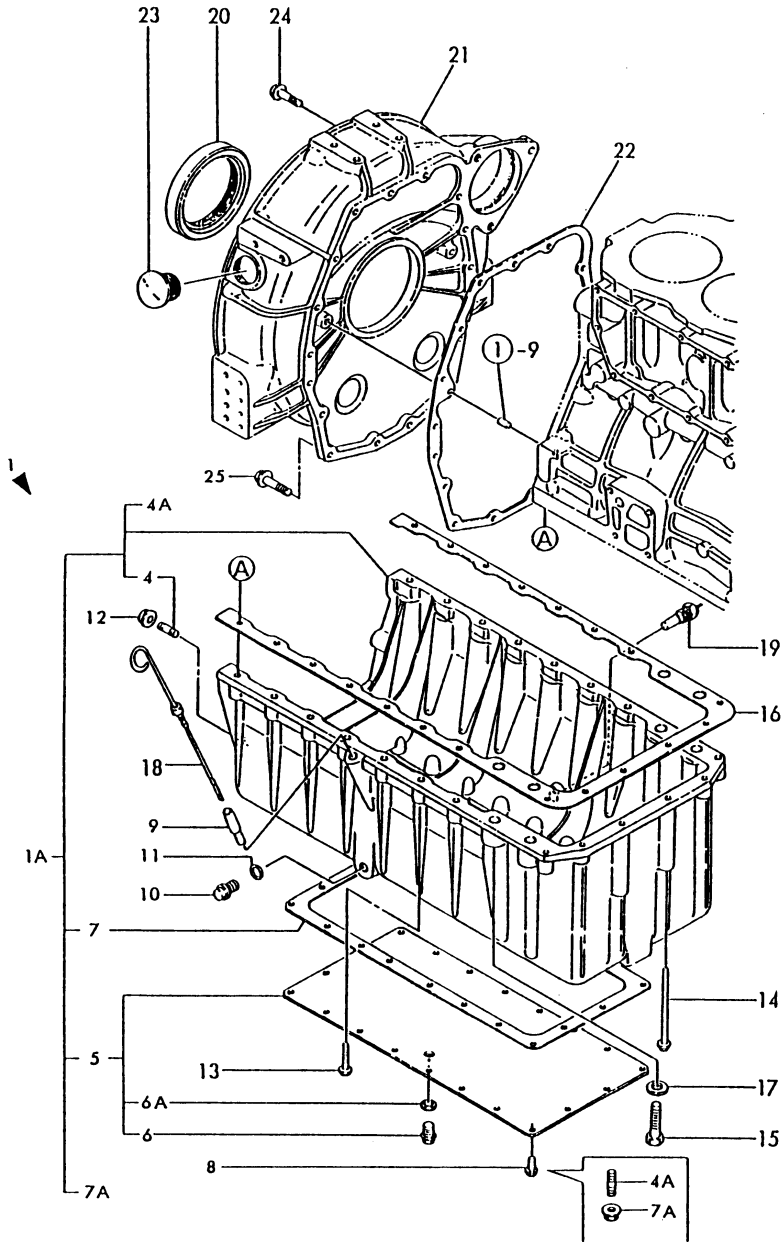
(C)=

(D)=

(E)=

(F)=

023550-01300
 023550-01320
 023560-01400
 029100-34100
 023561-91200



| No. | Lev. | Parts No. | Description | Q'ty | | | | | | I | R |
|------|------|--------------|----------------------|------|-----|-----|-----|-----|-----|---|---|
| | | | | (A) | (B) | (C) | (D) | (E) | (F) | | |
| 1 | 1 | 723550-01541 | SUMP ASSY, OIL | 1 | | | | | | | |
| 1A | 2 | 123550-01790 | SUMP ASSY, OIL | 1 | | | | | | | W |
| | | (A=*1990.12) | | | | | | | | | |
| 4 | 4 | 26216-100252 | STUD, M10X 25 | 1 | | | | | | | |
| 4A | 4 | 26216-080142 | STUD, M8X 14 | 20 | | | | | | | W |
| | | (A=*1990.12) | | | | | | | | | |
| 5 | 3 | 123500-01760 | COVER ASSY, OIL SUMP | 1 | | | | | | | W |
| | | (A=*1990.) | | | | | | | | | |
| 6 | 4 | 105425-01690 | PLUG, 16 | 1 | | | | | | | |
| 6A | 4 | 43400-500490 | SEAL WASHER 16S | 1 | | | | | | | W |
| | | (A=*1990.12) | | | | | | | | | |
| 7 | 3 | 123500-01731 | GASKET, OIL SUMP | 1 | | | | | | | |
| 7A | 3 | 26366-080002 | NUT, M8 | 20 | | | | | | | W |
| | | (A=*1990.12) | | | | | | | | | |
| 8 | 2 | 26013-080182 | BOLT, M8X 18 | 20 | | | | | | | Z |
| | | (A=*1990.12) | | | | | | | | | |
| 9 | 2 | 121520-34810 | GUIDE, DIPSTICK | 1 | | | | | | | |
| 10 | 2 | 105425-01690 | PLUG, 16 | 1 | | | | | | | |
| 11 | 2 | 43400-500490 | SEAL WASHER 16S | 2 | | | | | | | |
| 11-1 | 2 | 43400-500490 | SEAL WASHER 16S | 1 | | | | | | | K |
| | | (A=*1990.12) | | | | | | | | | |
| 12 | 2 | 26366-100002 | NUT, M10 | 1 | | | | | | | |
| 13 | 1 | 26106-080402 | BOLT, M8X 40 PLATED | 18 | | | | | | | |
| 14 | 1 | 26106-081202 | BOLT, M8X120 PLATED | 2 | | | | | | | |
| 15 | 1 | 26156-140502 | BOLT, M14X 50 PLATED | 4 | | | | | | | |
| 16 | 1 | 123500-01710 | GASKET, OIL SUMP | 1 | | | | | | | |
| 17 | 1 | 22117-140000 | WASHER, 14 | 4 | | | | | | | |
| 18 | 1 | 171420-34820 | DIPSTICK, OIL | 1 | | | | | | | |
| 19 | 1 | 121470-44900 | SENSOR | 1 | | | | | | | |
| 20 | 1 | 123672-01782 | SEAL, SD105X135X14L | 1 | | | | | | | |
| 21 | 1 | 123560-01800 | HOUSING, FLYWHEEL | 1 | | | | | | | |
| 22 | 1 | 123550-01810 | GASKET | 1 | | | | | | | |
| 23 | 1 | 129795-11750 | CAP | 1 | | | | | | | |
| 24 | 1 | 26106-100302 | BOLT, M10X 30 PLATED | 16 | | | | | | | |
| 24-1 | 1 | 26106-100302 | BOLT, M10X 30 PLATED | 12 | | | | | | | K |
| | | (A=E01201) | | | | | | | | | |
| 25 | 1 | 26106-100352 | BOLT, M10X 35 PLATED | 4 | | | | | | | W |
| | | (A=E01201) | | | | | | | | | |

Fig.4. CYLINDER HEAD & BONNET

(A)=4T112TL-GN

(B)=

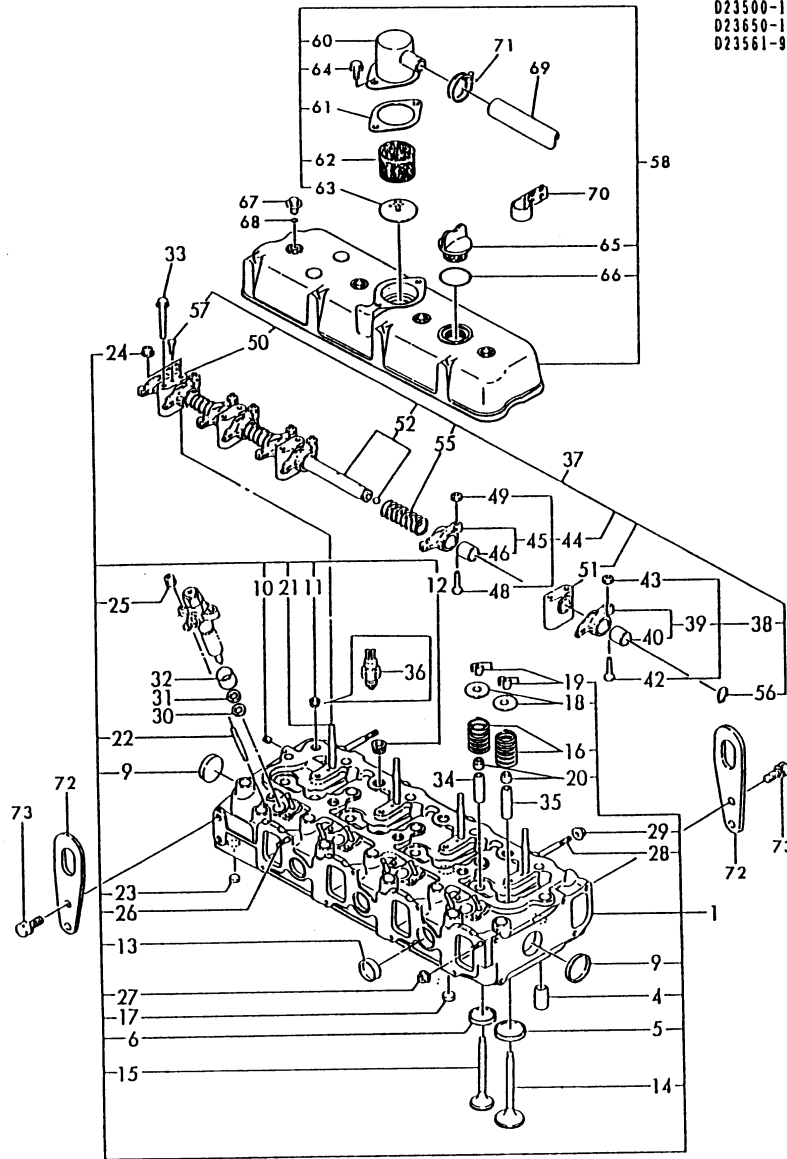
(C)=

(D)=

(E)=

(F)=

D23500-03110
 D23560-07300
 D23500-11100
 D23500-11150
 D23550-11210
 D23500-12100
 D23650-13100
 D23561-91200



| No. | Lev. | Parts No. | Description | Q'ty | | | | | | I | R |
|-----|------|--------------|---------------------|------|-----|-----|-----|-----|-----|---|---|
| | | | | (A) | (B) | (C) | (D) | (E) | (F) | | |
| 1 | 1 | 723560-11700 | HEAD ASSY, CYLINDER | 1 | | | | | | | |
| 4 | 3 | 123500-11050 | PLUG | 4 | | | | | | | |
| 5 | 3 | 123500-11080 | SEAT, INTAKE VALVE | 4 | | | | | | | |
| 6 | 3 | 123500-11090 | SEAT, EXHAUST VALVE | 4 | | | | | | | |
| 9 | 3 | 128610-11950 | PLUG, 45 | 2 | | | | | | | |
| 10 | 3 | 23871-010000 | PLUG, R01 | 1 | | | | | | | |
| 11 | 3 | 23871-030000 | PLUG, R03 | 1 | | | | | | | |
| 12 | 3 | 23871-040000 | PLUG, R04 | 6 | | | | | | | |
| 13 | 3 | 27241-350000 | PLUG, 35 | 3 | | | | | | | |
| 14 | 2 | 123500-11100 | VALVE, INTAKE | 4 | | | | | | | |
| 15 | 2 | 123500-11110 | VALVE, EXHAUST | 4 | | | | | | | |
| 16 | 2 | 123500-11121 | SPRING, VALVE | 8 | | | | | | | |
| 17 | 2 | 27241-220000 | PLUG, 22 | 4 | | | | | | | |
| 18 | 2 | 127410-11180 | RETAINER, SPRING | 8 | | | | | | | |
| 19 | 2 | 144626-11190 | COTTER | 8 | | | | | | | |
| 20 | 2 | 127610-11280 | SEAL, VALVE STEM | 8 | | | | | | | |
| 21 | 2 | 127610-11350 | STUD | 4 | | | | | | | |
| 22 | 2 | 126650-11770 | STUD | 8 | | | | | | | |
| 23 | 2 | 120130-11800 | PLUG, 15 | 1 | | | | | | | |
| 24 | 2 | 26366-080002 | NUT, M8 | 4 | | | | | | | |
| 25 | 2 | 26366-080002 | NUT, M8 | 8 | | | | | | | |
| 26 | 2 | 26216-080252 | STUD, M8X 25 | 2 | | | | | | | |
| 27 | 2 | 26366-080002 | NUT, M8 | 2 | | | | | | | |
| 28 | 2 | 26216-080702 | STUD, M8X 70 | 2 | | | | | | | |
| 29 | 2 | 26366-080002 | NUT, M8 | 2 | | | | | | | |
| 30 | 1 | 128610-11900 | INSULATOR | 4 | | | | | | | |
| 31 | 1 | 128610-11910 | GASKET, NOZZLE | 4 | | | | | | | |
| 32 | 1 | 127422-11920 | SEAL | 4 | | | | | | | |
| 33 | 1 | 26106-080652 | BOLT, M8X 65 PLATED | 4 | | | | | | | |
| 34 | 1 | 123500-11810 | GUIDE, VALVE | 4 | | | | | | | 1 |
| 35 | 1 | 123500-11800 | GUIDE, VALVE | 4 | | | | | | | 1 |
| 36 | 1 | 171375-44900 | SWITCH, 15 | 1 | | | | | | | |
| 37 | 1 | 723500-11500 | SUPPORT ASSY, ARM | 1 | | | | | | | |
| 38 | 2 | 723500-11650 | ARM ASSY, ROCKER | 4 | | | | | | | |
| 39 | 3 | 123500-11200 | ARM, ROCKER | 4 | | | | | | | |
| 40 | 4 | 127610-11170 | BUSH, ROCKER ARM | 4 | | | | | | | |
| 42 | 3 | 127616-11230 | SCREW, VALVE ADJUST | 4 | | | | | | | |
| 43 | 3 | 122710-11240 | NUT | 4 | | | | | | | |
| 44 | 2 | 723500-11660 | ARM ASSY, ROCKER | 4 | | | | | | | |
| 45 | 3 | 123500-11210 | ARM, ROCKER | 4 | | | | | | | |
| 46 | 4 | 127610-11170 | BUSH, ROCKER ARM | 4 | | | | | | | |
| 48 | 3 | 127616-11230 | SCREW, VALVE ADJUST | 4 | | | | | | | |
| 49 | 3 | 122710-11240 | NUT | 4 | | | | | | | |
| 50 | 2 | 123500-11250 | SUPPORT, ROCKER ARM | 1 | | | | | | | |
| 51 | 2 | 123500-11260 | SUPPORT, ROCKER ARM | 3 | | | | | | | |
| 52 | 2 | 123500-11270 | SHAFT ASSY, ROCKER | 1 | | | | | | | |
| 55 | 2 | 128610-11280 | SPRING | 3 | | | | | | | |
| 56 | 2 | 22242-000200 | RING, 20 | 2 | | | | | | | |
| 57 | 2 | 26116-060162 | BOLT, M6X 16 PLATED | 1 | | | | | | | |
| 58 | 1 | 123550-11350 | BONNET ASSY, HEAD | 1 | | | | | | | W |

(A)=EXXX

Remarks
 (1) REPAIR PART.

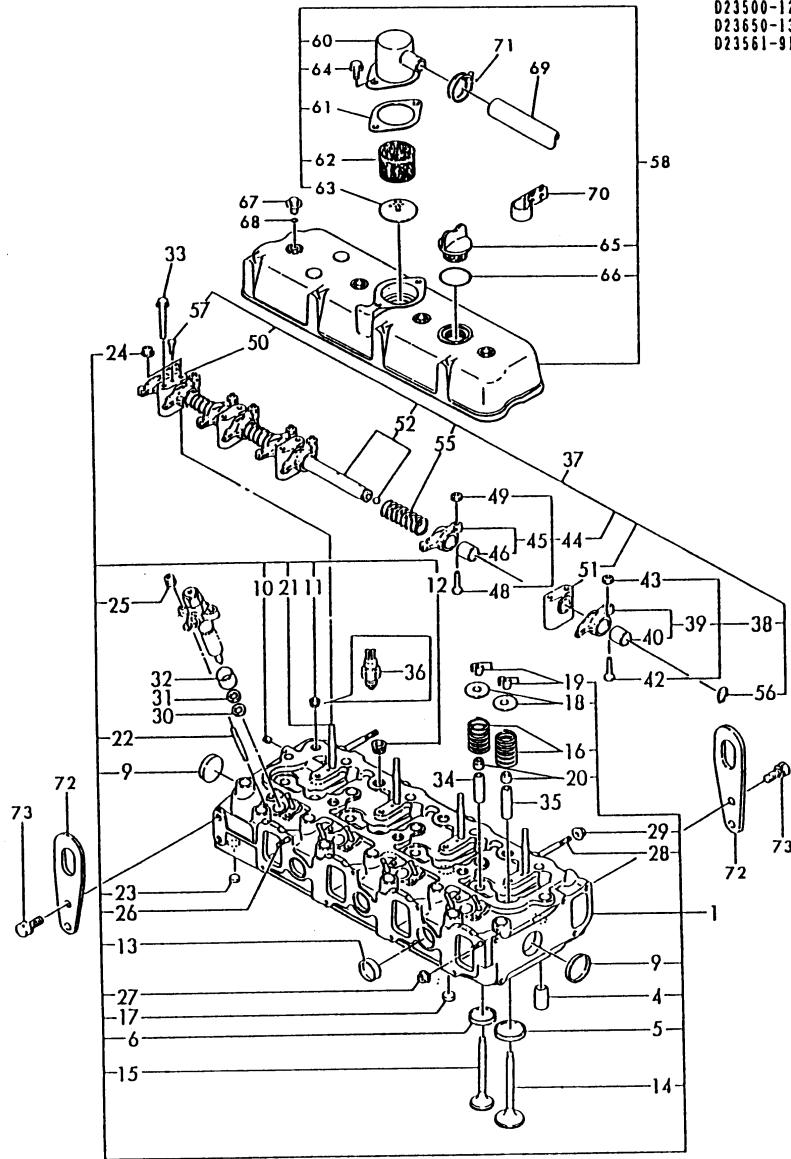
N:Old $\xrightarrow{\text{Yes}}$ New, Q:Old $\xrightarrow{\text{No}}$ New, R:Old $\xrightarrow{\text{Yes}}$ New, S:Old $\xrightarrow{\text{No}}$ New, W:Add, Z:Discontinued, F:Interchangeable by set, K:Q'ty Change
 ++ CONTINUE ++
 Copyright (C) YANMAR CO., LTD. All Rights Reserved.

Fig.4. CYLINDER HEAD & BONNET

(A)=4T112TL-GN
(B)=
(C)=

(D)=
(E)=
(F)=

D23500-03110
D23560-07300
D23500-11100
D23500-11150
D23550-11210
D23500-12100
D23650-13100
D23561-91200



| No. | Lev. | Parts No. | Description | Q'ty | | | | | | I | R |
|-----|------|--------------|---------------------|------|-----|-----|-----|-----|-----|---|---|
| | | | | (A) | (B) | (C) | (D) | (E) | (F) | | |
| 60 | 2 | 123500-03021 | COVER, BREATHER | 1 | | | | | | | |
| 61 | 2 | 123500-03030 | GASKET | 1 | | | | | | | |
| 62 | 2 | 127610-03050 | WOOL, STEEL | 1 | | | | | | | |
| 63 | 2 | 127610-03060 | OIL THROWER | 1 | | | | | | | |
| 64 | 2 | 26106-080202 | BOLT, M8X 20 PLATED | 2 | | | | | | | |
| 65 | 2 | 124160-01751 | COVER, FILLER | 1 | | | | | | | W |
| | | (A=EXXX) | | | | | | | | | |
| 66 | 2 | 24311-000320 | O-RING, 1AP32.0 | 1 | | | | | | | W |
| | | (A=EXXX) | | | | | | | | | |
| 67 | 1 | 124160-11360 | KNOB | 4 | | | | | | | |
| 68 | 1 | 24311-000120 | O-RING, 1AP12.0 | 4 | | | | | | | |
| 69 | 1 | 123500-03071 | PIPE, BREATHER | 1 | | | | | | | |
| 70 | 1 | 127610-03270 | RETAINER | 1 | | | | | | | |
| 71 | 1 | 23010-035000 | CLAMP, 35 | 1 | | | | | | | |
| 72 | 1 | 124411-07220 | LIFTER | 2 | | | | | | | |
| 73 | 1 | 26013-120252 | BOLT, M12X 25 | 4 | | | | | | | |

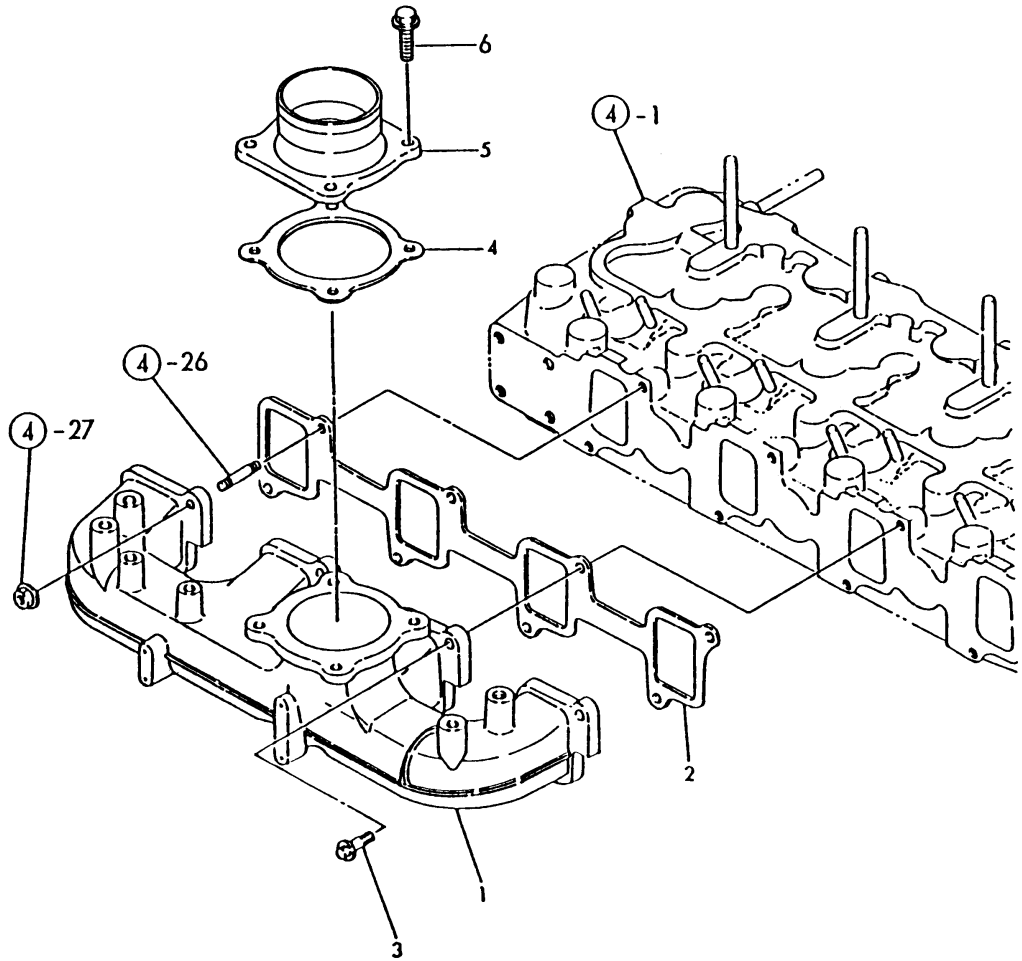
Remarks
(1) REPAIR PART.

Fig.5. SUCTION MANIFOLD

(A)=4T112TL-GN
(B)=
(C)=

(D)=
(E)=
(F)=

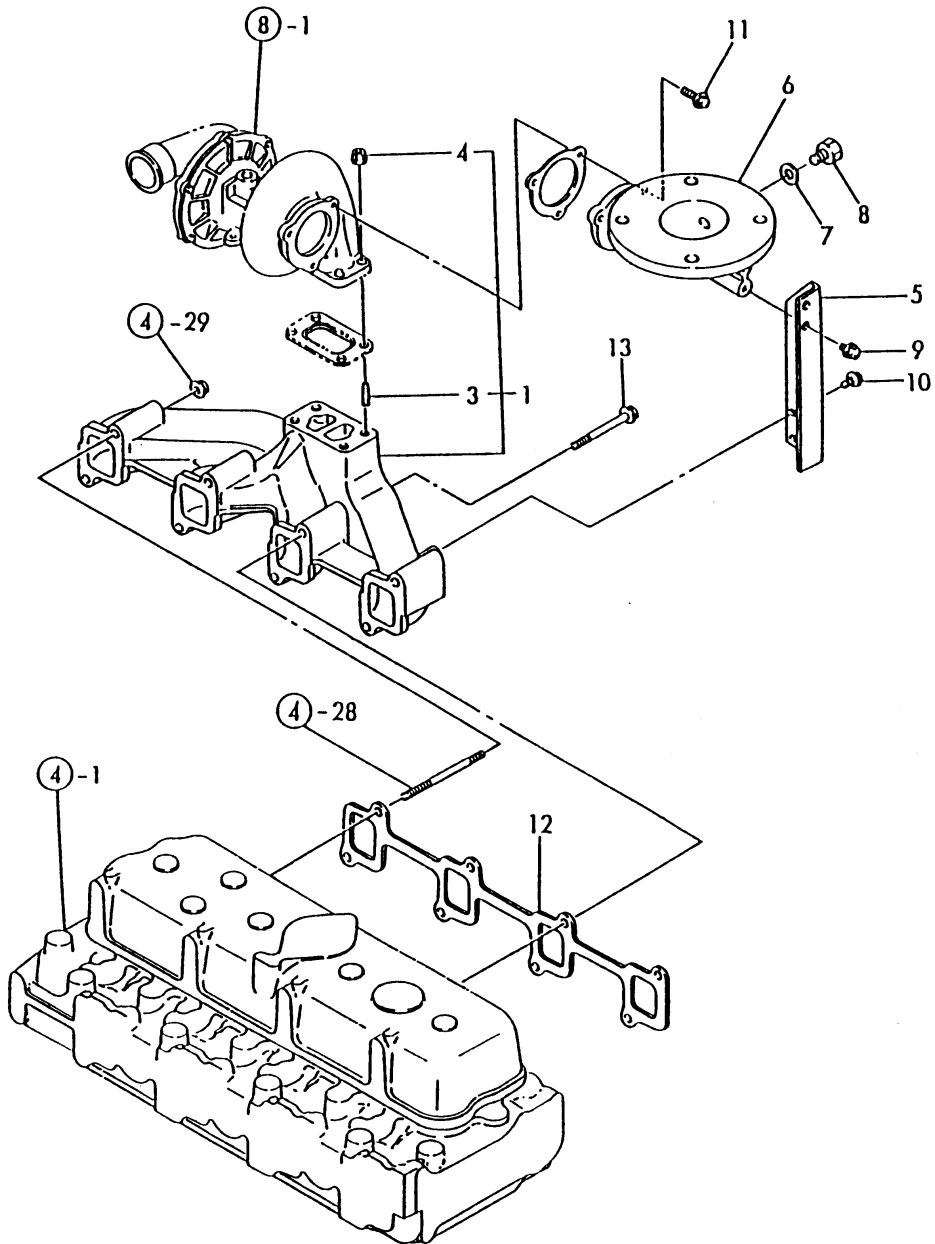
D23500-12100
D24610-12250



| No. | Lev. | Parts No. | Description | Q'ty | | | | | | I | R |
|-----|------|--------------|----------------------|------|-----|-----|-----|-----|-----|---|---|
| | | | | (A) | (B) | (C) | (D) | (E) | (F) | | |
| 1 | 1 | 123500-12100 | MANIFOLD, AIR INTAKE | 1 | | | | | | | |
| 2 | 1 | 123500-12110 | GASKET, MANIFOLD | 1 | | | | | | | |
| 3 | 1 | 26106-080202 | BOLT, M8X 20 PLATED | 6 | | | | | | | |
| 4 | 1 | 124411-12560 | GASKET, SILENCER | 1 | | | | | | | |
| 5 | 1 | 124610-12580 | JOINT, AIR HEATER | 1 | | | | | | | |
| 6 | 1 | 26106-100252 | BOLT, M10X 25 PLATED | 4 | | | | | | | |

Fig.6. EXHAUST MANIFOLD

023650-13100
023660-18300



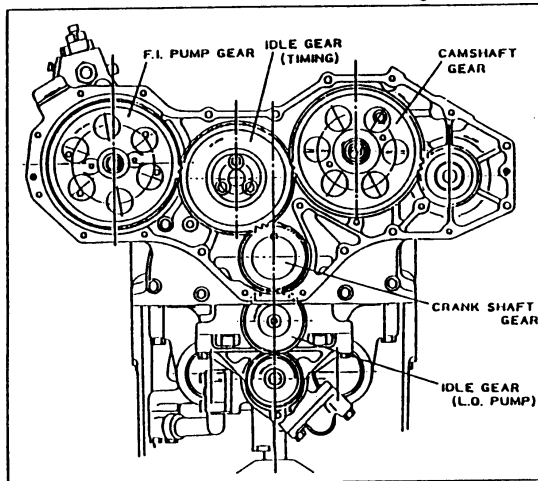
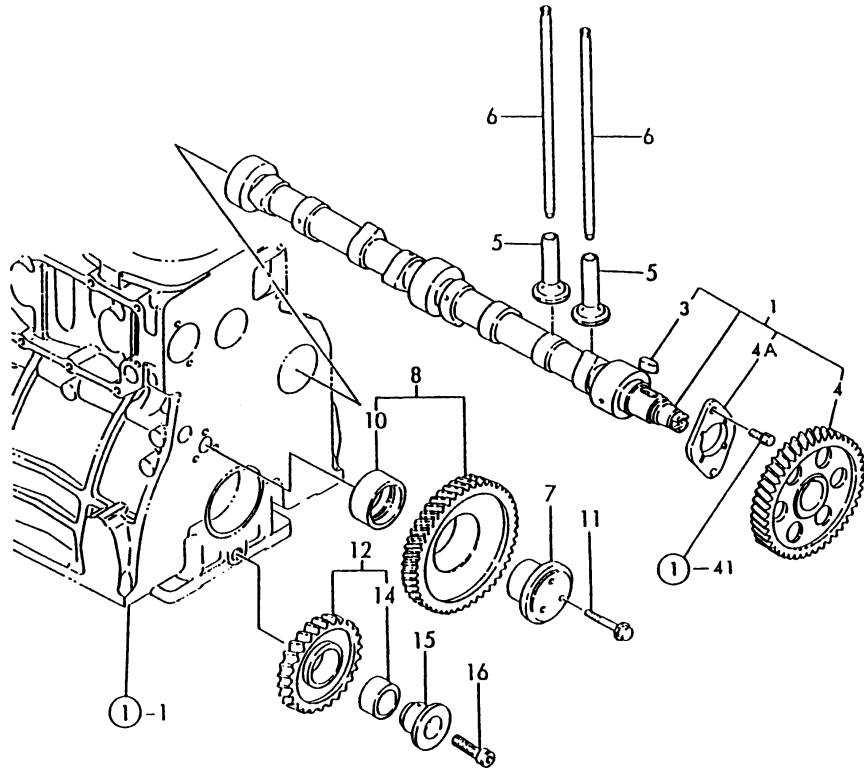
(A)=4T112TL-GN
(B)=
(C)=

(D)=
(E)=
(F)=

| No. | Lev. | Parts No. | Description | Q'ty | | | | | | I | R |
|-----|------|--------------|---------------------|------|-----|-----|-----|-----|-----|---|---|
| | | | | (A) | (B) | (C) | (D) | (E) | (F) | | |
| 1 | 1 | 723660-13500 | MANIFOLD ASSY | 1 | | | | | | | |
| 3 | 2 | 123678-18320 | STUD | 4 | | | | | | | |
| 4 | 2 | 26366-080002 | NUT, M8 | 4 | | | | | | | |
| 5 | 1 | 123660-18290 | SUPPORT | 1 | | | | | | | |
| 6 | 1 | 123660-18380 | BEND, EXHAUST | 1 | | | | | | | |
| 7 | 1 | 23414-170000 | GASKET, 17X1.0 | 1 | | | | | | | |
| 8 | 1 | 23894-030002 | PLUG, G3/8 | 1 | | | | | | | |
| 9 | 1 | 26106-080122 | BOLT, M8X 12 PLATED | 2 | | | | | | | |
| 10 | 1 | 26106-080122 | BOLT, M8X 12 PLATED | 2 | | | | | | | |
| 11 | 1 | 26106-080252 | BOLT, M8X 25 PLATED | 3 | | | | | | | |
| 12 | 1 | 123500-13110 | GASKET | 1 | | | | | | | |
| 13 | 1 | 26106-080702 | BOLT, M8X 70 PLATED | 6 | | | | | | | |

Fig.7. CAMSHAFT & DRIVE GEAR

023500-14110
 023500-25100
 023500-32200



(A)=4T112TL-GN
 (B)=
 (C)=

(D)=
 (E)=
 (F)=

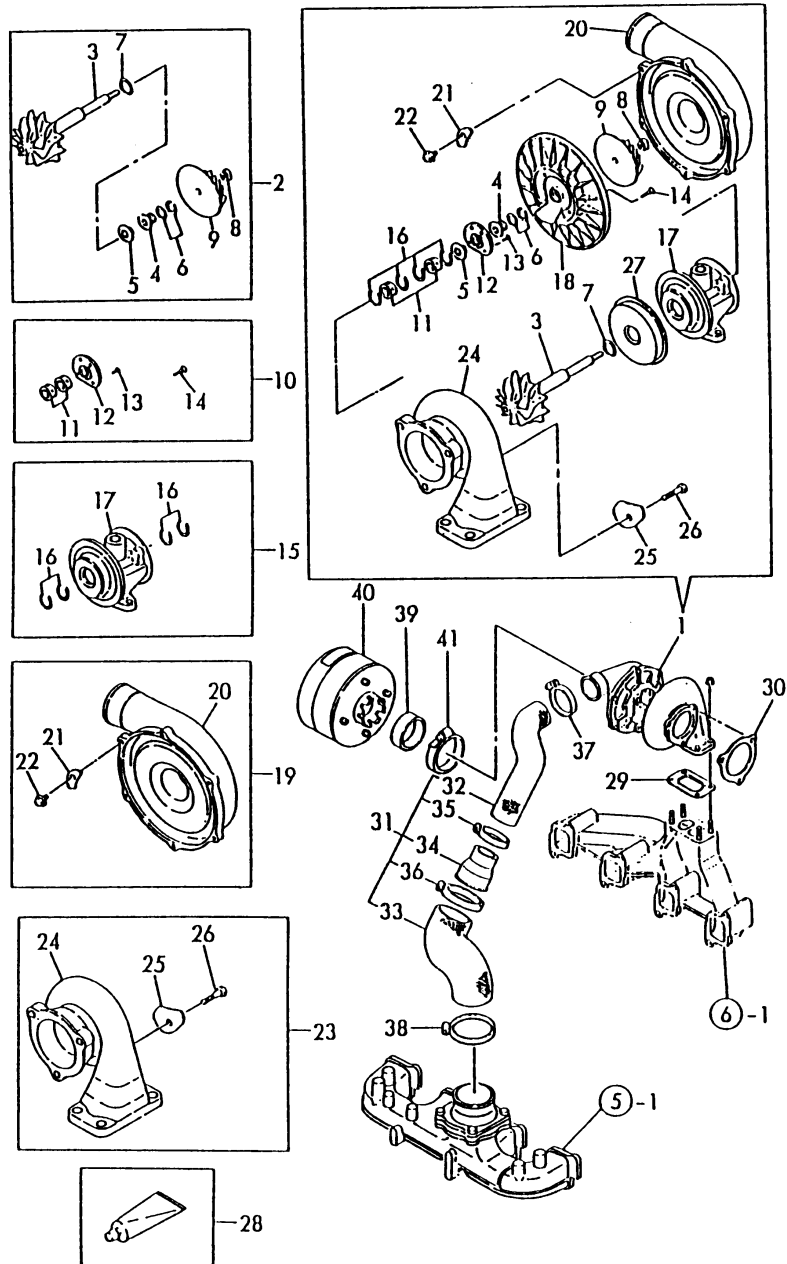
| No. | Lev. | Parts No. | Description | Q'ty | | | | | | I | R |
|----------|------|--------------|---------------------|------|-----|-----|-----|-----|-----|---|---|
| | | | | (A) | (B) | (C) | (D) | (E) | (F) | | |
| 1 | 1 | 723560-14580 | CAMSHAFT ASSY | 1 | | | | | | | |
| 1-1 | 1 | 123500-14580 | CAMSHAFT ASSY | 1 | | | | | | | N |
| (A=EXXX) | | | | | | | | | | | |
| 3 | 2 | 22512-070220 | KEY, 7X 22 | | 1 | | | | | | |
| 4 | 2 | 123500-14100 | GEAR, CAMSHAFT | | 1 | | | | | | |
| 4A | 2 | 123500-02160 | RETAINER | | 1 | | | | | | W |
| (A=EXXX) | | | | | | | | | | | |
| 5 | 1 | 123500-14200 | TAPPET | | 8 | | | | | | |
| 6 | 1 | 123500-14400 | ROD, PUSH | | 8 | | | | | | |
| 7 | 1 | 123500-25070 | SHAFT, IDLE | | 1 | | | | | | |
| 8 | 1 | 123500-25110 | GEAR ASSY, IDLE | | 1 | | | | | | |
| 10 | 2 | 123500-25080 | BUSH | | 1 | | | | | | |
| 11 | 1 | 26106-080502 | BOLT, M8X 50 PLATED | | 3 | | | | | | |
| 12 | 1 | 123500-32500 | GEAR ASSY, IDLE | | 1 | | | | | | |
| 14 | 2 | 121850-32520 | BUSH | | 1 | | | | | | |
| 15 | 1 | 121850-32530 | SHAFT, IDLE | | 1 | | | | | | |
| 16 | 1 | 26450-100352 | BOLT, M10X 35 | | 1 | | | | | | |

Fig.8. TURBO-CHARGER

U71090-12200
D23650-18100

(A)=4T112TL-GN
(B)=
(C)=

(D)=
(E)=
(F)=



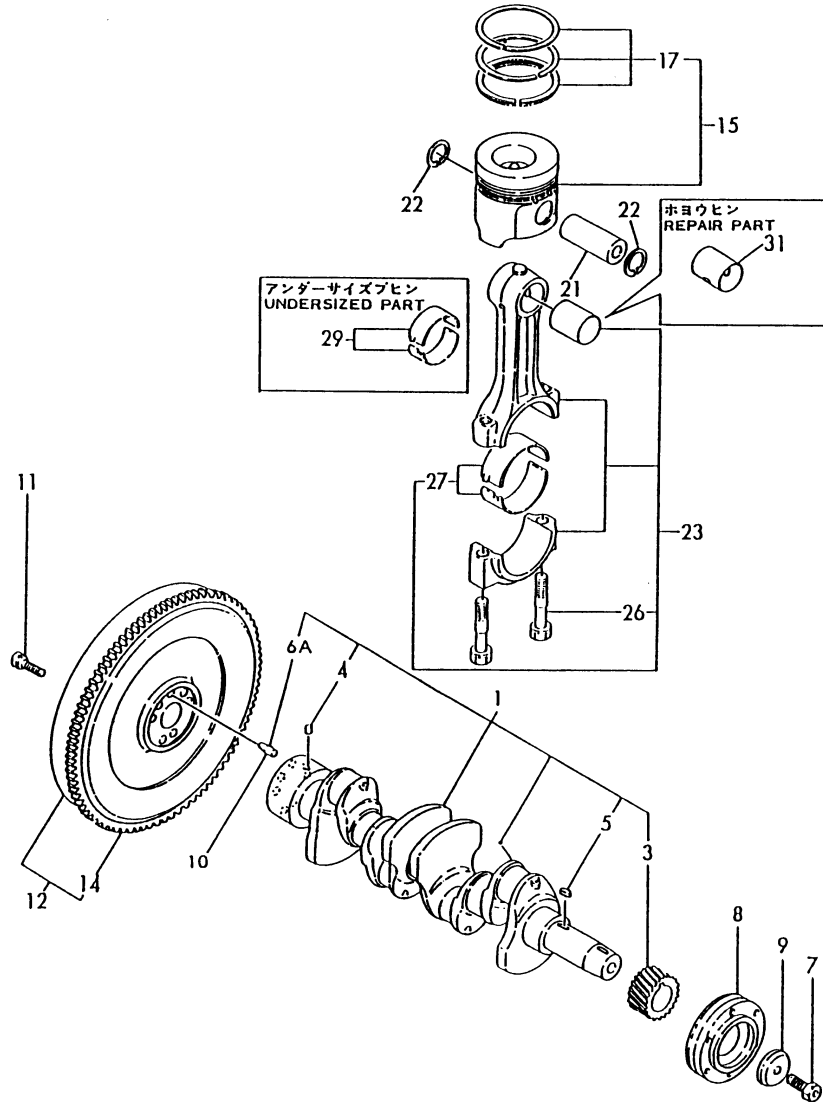
| No. | Lev. | Parts No. | Description | Q'ty | | | | | | I | R |
|------|------|--------------|----------------------|------|-----|-----|-----|-----|-----|---|---|
| | | | | (A) | (B) | (C) | (D) | (E) | (F) | | |
| 1 | 1 | 123650-18010 | TURBINE, RHB6 | 1 | | | | | | | |
| 2 | 2 | XN191300 | ROTOR KIT, TURBINE | 1 | | | | | | | |
| 3 | 3 | XN191302 | SHAFT, TURBINE | | | | | | | | |
| 4 | 3 | XN191103 | THROWER, OIL | 1 | | | | | | | |
| 5 | 3 | XN191005 | BUSH, THRUST | 1 | | | | | | | |
| 6 | 3 | XNN131008 | SEAL RING,BLOW.SIDE | 2 | | | | | | | |
| 7 | 3 | XN971007 | RING, SEAL (T-SIDE) | 1 | | | | | | | |
| 8 | 3 | XN191109 | NUT 6 | 1 | | | | | | | |
| 9 | 2 | XN192702 | IMPELLER | 1 | | | | | | | |
| 10 | 2 | XN199800 | OVERHAUL KIT | 1 | | | | | | | |
| 11 | 3 | XN973503 | BEARING,FLO.JOURNAL | 2 | | | | | | | |
| 12 | 3 | XN973502 | BEARING, THRUST | 1 | | | | | | | |
| 13 | 3 | XNB133206 | SCREW | 4 | | | | | | | |
| 14 | 3 | XNH163006 | SCREW M4 | 4 | | | | | | | |
| 15 | 2 | XN199801 | HOUSING SET, BEARING | 1 | | | | | | | |
| 16 | 3 | XN977003 | RING, RETAINING | 4 | | | | | | | |
| 17 | 3 | XN193207 | HOUSING, BEARING | 1 | | | | | | | |
| 18 | 2 | XN193600 | PLATE B, SEAL | 1 | | | | | | | |
| 19 | 2 | XN192200 | HOUSING SET, BLOWER | 1 | | | | | | | |
| 20 | 3 | XN192202 | HOUSING(BRL406B) | 1 | | | | | | | |
| 21 | 3 | XNN134035 | RETAINER | 6 | | | | | | | |
| 22 | 3 | XNB134007 | BOLT M 5 | 6 | | | | | | | |
| 23 | 2 | XN197400 | HOUSING KIT, TURBINE | 1 | | | | | | | |
| 24 | 3 | XN197402 | CASING, TURBINE | 1 | | | | | | | |
| 25 | 3 | XN197404 | PLATE, LOCK | 4 | | | | | | | |
| 26 | 3 | XN196103 | BOLT M 6 | 4 | | | | | | | |
| 27 | 2 | XN193204 | PROTECTOR, HEAT | 1 | | | | | | | |
| 28 | 2 | XN193653 | GASKET, LIQUID | 1 | | | | | | | |
| 29 | 1 | 123650-18080 | GASKET | 1 | | | | | | | |
| 30 | 1 | 121252-18190 | GASKET | 1 | | | | | | | |
| 31 | 1 | 123600-12052 | HOSE ASSY, INTAKE | 1 | | | | | | | |
| 32 | 2 | 123600-12080 | PIPE, AIR INTAKE | 1 | | | | | | | |
| 33 | 2 | 123600-12090 | PIPE, AIR INTAKE | 1 | | | | | | | |
| 34 | 2 | 123600-12109 | JOINT | 1 | | | | | | | |
| 35 | 2 | 23000-070000 | CLAMP, 70 | 1 | | | | | | | |
| 36 | 2 | 23000-102000 | CLAMP, 102 | 1 | | | | | | | |
| 37 | 1 | 23000-060000 | CLAMP, 60 | 1 | | | | | | | |
| 38 | 1 | 23000-102000 | CLAMP, 102 | 1 | | | | | | | |
| 39 | 1 | 171090-18050 | RUBBER, SEAL | 1 | | | | | | | Z |
| | | (A=E01048) | | | | | | | | | |
| 40 | 1 | 127412-18851 | SILENCER | 1 | | | | | | | |
| 40-1 | 1 | 127412-18852 | SILENCER | 1 | | | | | | | N |
| | | (A=*1985.) | | | | | | | | | |
| 40-2 | 1 | 127412-18853 | SILENCER | 1 | | | | | | | N |
| | | (A=E01048) | | | | | | | | | |
| 41 | 1 | 23000-070000 | CLAMP, 70 | 1 | | | | | | | |

Fig.9. CRANKSHAFT & PISTON

(A)=4T112TL-GN
(B)=
(C)=

(D)=
(E)=
(F)=

023550-21150
023550-21250
023560-21200
023500-22100
023500-23100



| No. | Lev. | Parts No. | Description | Q'ty | | | | | | I | R |
|-----|------|--------------|----------------------|------|-----|-----|-----|-----|-----|---|---|
| | | | | (A) | (B) | (C) | (D) | (E) | (F) | | |
| 1 | 1 | 723560-21700 | CRANKSHAFT ASSY | 1 | | | | | | | |
| 1-1 | 1 | 723500-21700 | CRANKSHAFT ASSY | 1 | | | | | | | N |
| | | (A=EXXX) | | | | | | | | | |
| 3 | 2 | 123500-21200 | GEAR, CRANKSHAFT | 1 | | | | | | | |
| 4 | 2 | 22312-080100 | PIN, PARALLEL M8X10 | 1 | | | | | | | Z |
| | | (A=EXXX) | | | | | | | | | |
| 5 | 2 | 22512-070140 | KEY, 7X 14 | 2 | | | | | | | |
| 6A | 2 | 127610-21460 | PIN | 1 | | | | | | | W |
| | | (A=EXXX) | | | | | | | | | |
| 7 | 1 | 123672-21500 | BOLT, M16X50 | 1 | | | | | | | |
| 8 | 1 | 123550-21650 | V-PULLEY | 1 | | | | | | | |
| 9 | 1 | 123672-21861 | WASHER | 1 | | | | | | | |
| 10 | 1 | 127610-21460 | PIN | 1 | | | | | | | Z |
| | | (A=EXXX) | | | | | | | | | |
| 11 | 1 | 123672-21510 | BOLT, FLYWHEEL | 6 | | | | | | | |
| 12 | 1 | 123560-21590 | FLYWHEEL ASSY | 1 | | | | | | | |
| 14 | 2 | 123550-21600 | GEAR, RING | 1 | | | | | | | |
| 15 | 1 | 123500-22090 | PISTON ASSY | 4 | | | | | | | |
| 17 | 2 | 723500-22500 | RING SET, PISTON | 4 | | | | | | | |
| 21 | 1 | 127616-22300 | PIN, PISTON | 4 | | | | | | | |
| 22 | 1 | 127616-22400 | CIRCLIP | 8 | | | | | | | |
| 23 | 1 | 723500-23700 | ROD ASSY, CONNECTING | 4 | | | | | | | |
| 26 | 2 | 123500-23200 | BOLT, CONNECTING ROD | 8 | | | | | | | |
| 27 | 2 | 723500-23600 | BEARING, CRANK PIN | 4 | | | | | | | |
| 29 | 1 | 123500-23610 | BEARING, 0.25 US | 4 | | | | | | | 1 |
| 31 | 1 | 127616-23911 | BEARING, PISTON PIN | 4 | | | | | | | 2 |

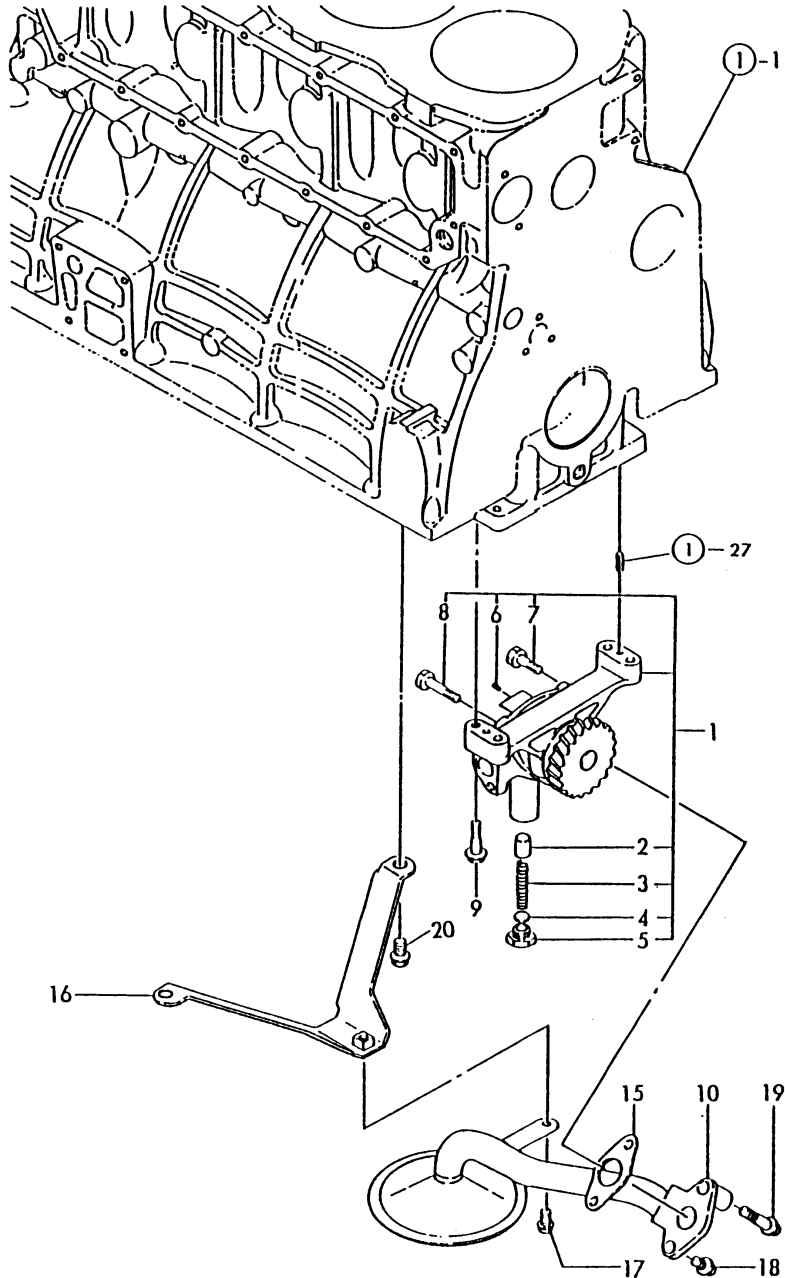
Remarks
(1) UNDER-SIZED(U.S=0.25)PART.
(2) REPAIR PART.

Fig.10. LUB. OIL PUMP

(A)=4T112TL-GN
(B)=
(C)=

(D)=
(E)=
(F)=

023500-32100
023550-35100



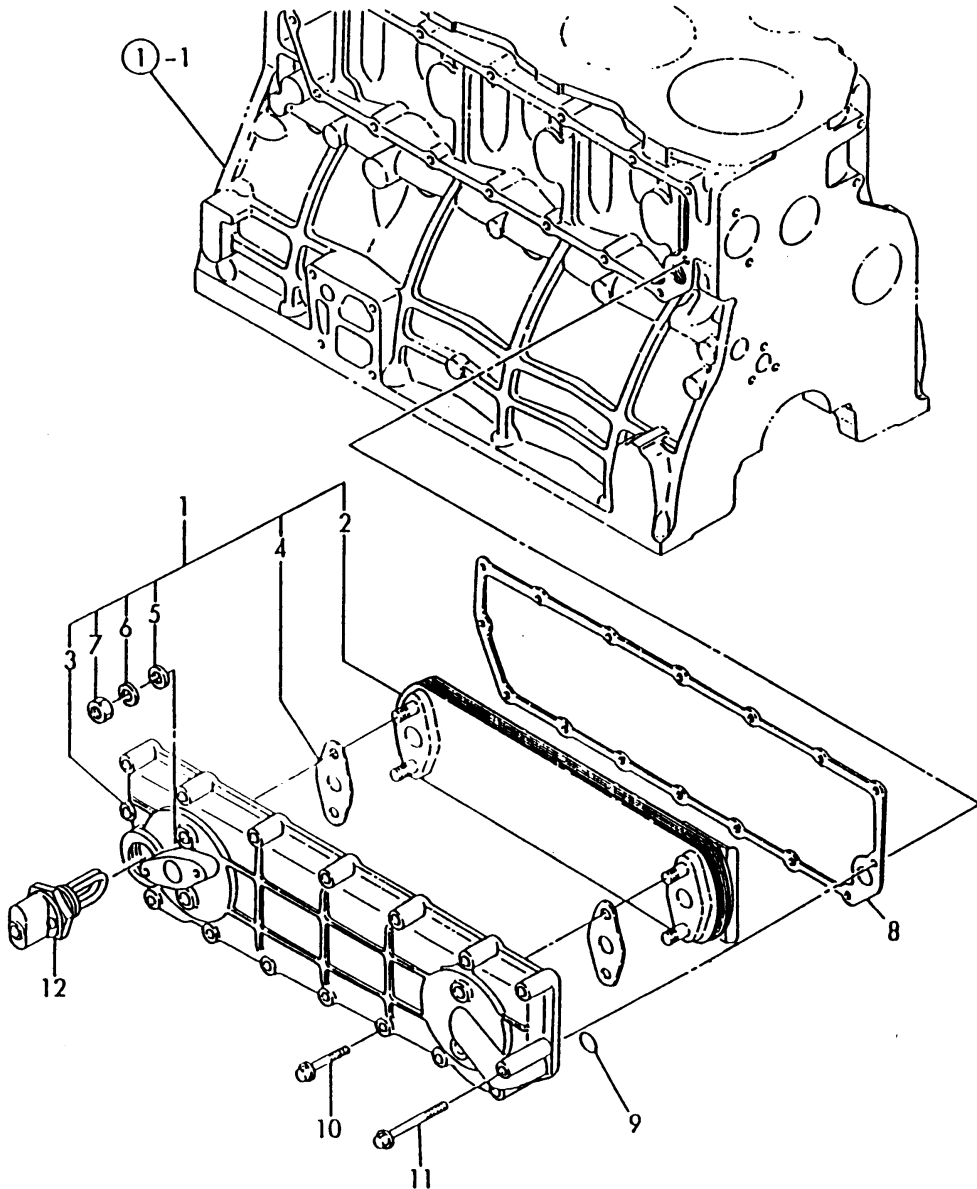
| No. | Lev. | Parts No. | Description | Q'ty | | | | | | I | R |
|-----|------|--------------|----------------------|------|-----|-----|-----|-----|-----|---|---|
| | | | | (A) | (B) | (C) | (D) | (E) | (F) | | |
| 1 | 1 | 123500-32000 | PUMP ASSY, OIL | 1 | | | | | | | |
| 2 | 2 | 129553-32130 | VALVE, RELIEF | 1 | | | | | | | |
| 3 | 2 | 129553-32320 | SPRING | 1 | | | | | | | |
| 4 | 2 | 129553-32330 | PLUG | 1 | | | | | | | |
| 5 | 2 | 129553-32340 | RETAINER, SPRING | 1 | | | | | | | |
| 6 | 2 | 22351-040008 | PIN, SPRING 4.0X 8 | 1 | | | | | | | |
| 7 | 2 | 26116-080202 | BOLT, M8X 20 PLATED | 2 | | | | | | | |
| 8 | 2 | 26116-080352 | BOLT, M8X 35 PLATED | 1 | | | | | | | |
| 9 | 1 | 26106-080302 | BOLT, M8X 30 PLATED | 4 | | | | | | | |
| 10 | 1 | 123500-35010 | PIPE ASSY, OIL INLET | 1 | | | | | | | |
| 15 | 1 | 127610-35040 | GASKET, PUMP | 1 | | | | | | | |
| 16 | 1 | 123550-39150 | STAY | 1 | | | | | | | |
| 17 | 1 | 26013-080142 | BOLT, M8X 14 | 1 | | | | | | | |
| 18 | 1 | 26106-080202 | BOLT, M8X 20 PLATED | 1 | | | | | | | |
| 19 | 1 | 26106-080452 | BOLT, M8X 45 PLATED | 1 | | | | | | | |
| 20 | 1 | 26106-100142 | BOLT, M10X 14 PLATED | 2 | | | | | | | |

Fig.11. LUB. OIL COOLLER

(A)=4T112TL-GN
(B)=
(C)=

(D)=
(E)=
(F)=

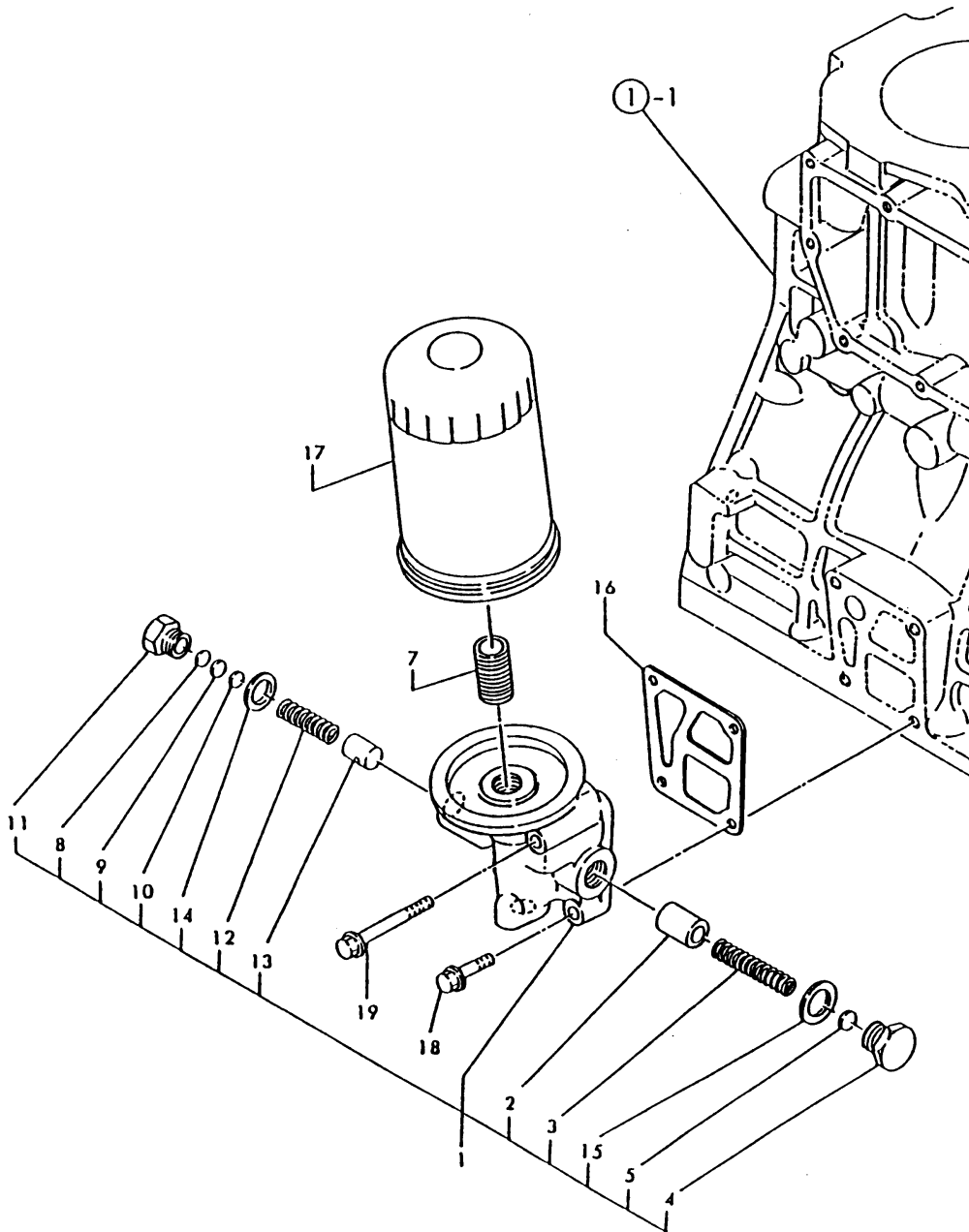
023561-33100
023561-91200



| No. | Lev. | Parts No. | Description | Q'ty | | | | | | I | R |
|-----|------|--------------|---------------------|------|-----|-----|-----|-----|-----|---|---|
| | | | | (A) | (B) | (C) | (D) | (E) | (F) | | |
| 1 | 1 | 723561-33700 | COOLER ASSY, OIL | 1 | | | | | | | |
| 2 | 2 | 123600-33031 | CORE, COOLER | 1 | | | | | | | |
| 3 | 2 | 123550-33050 | COVER, COOLER | 1 | | | | | | | |
| 4 | 2 | 123672-33070 | GASKET | 2 | | | | | | | |
| 5 | 2 | 22117-100000 | WASHER, 10 | 4 | | | | | | | |
| 6 | 2 | 22212-100000 | SPRING WASHER 10 | 4 | | | | | | | |
| 7 | 2 | 26736-100002 | NUT, M10 | 4 | | | | | | | |
| 8 | 1 | 123500-01410 | GASKET | 1 | | | | | | | |
| 9 | 1 | 24311-000200 | O-RING, 1AP20.0 | 1 | | | | | | | |
| 10 | 1 | 26106-080452 | BOLT, M8X 45 PLATED | 15 | | | | | | | |
| 11 | 1 | 26106-080702 | BOLT, M8X 70 PLATED | 1 | | | | | | | |
| 12 | 1 | 46150-504500 | HEATER | 1 | | | | | | | |

Fig.12. LUB. OIL FILTER

023500-35200



(A)=4T112TL-GN
(B)=
(C)=

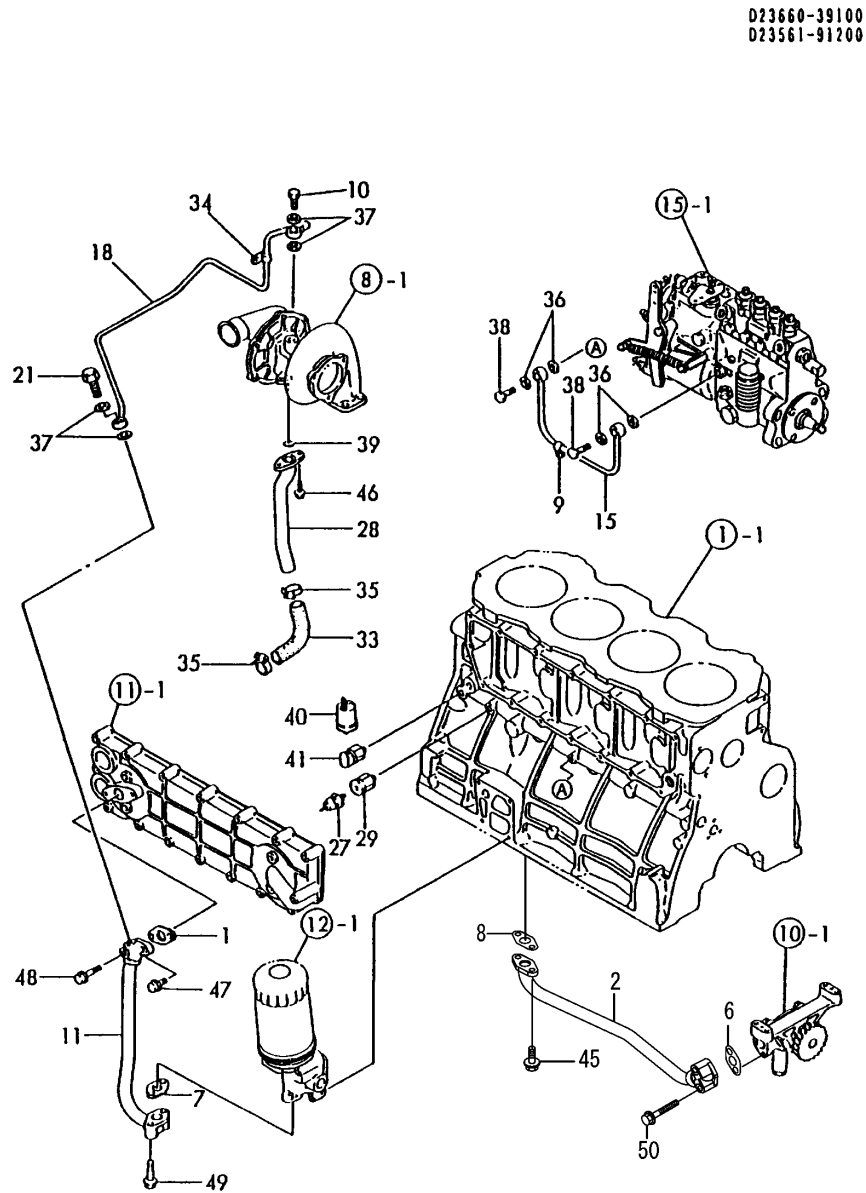
(D)=
(E)=
(F)=

| No. | Lev. | Parts No. | Description | Q'ty | | | | | | I | R |
|---------------|------|--------------|----------------------|------|-----|-----|-----|-----|-----|---|---|
| | | | | (A) | (B) | (C) | (D) | (E) | (F) | | |
| 1 | 1 | 123600-35100 | BRACKET ASSY, FILTER | 1 | | | | | | | |
| 2 | 2 | 135310-34030 | REGULATING VALVE | 1 | | | | | | | |
| 3 | 2 | 123672-34040 | SPRING | 1 | | | | | | | |
| 4 | 2 | 123672-34070 | PLUG | 1 | | | | | | | |
| 5 | 2 | 123672-34350 | SHIM | 1 | | | | | | | |
| 7 | 2 | 124610-35140 | BRACKET | 1 | | | | | | | |
| 8 | 2 | 121850-35210 | SHIM, T=0.2 | 2 | | | | | | | |
| 9 | 2 | 121850-35220 | SHIM, T=0.5 | 2 | | | | | | | |
| 10 | 2 | 121850-35230 | SHIM, T=1.0 | 1 | | | | | | | |
| 11 | 2 | 124223-35510 | RETAINER, SPRING | 1 | | | | | | | |
| 12 | 2 | 129795-35520 | SPRING | 1 | | | | | | | |
| 13 | 2 | 121850-35531 | VALVE, CONTROL | 1 | | | | | | | |
| 14 | 2 | 23414-180000 | GASKET, 18X1.0 | 1 | | | | | | | |
| 15 | 2 | 23414-220000 | GASKET, 22X1.0 | 1 | | | | | | | |
| 16 | 1 | 123500-35120 | GASKET | 1 | | | | | | | |
| 17 | 1 | 123672-35151 | ELEMENT | 1 | | | | | | | |
| 17-1 | 1 | 127695-35150 | FILTER, OIL | 1 | | | | | | | S |
| (A=E/# 03871) | | | | | | | | | | | |
| 18 | 1 | 26106-080352 | BOLT, M8X 35 PLATED | | 2 | | | | | | |
| 19 | 1 | 26106-080702 | BOLT, M8X 70 PLATED | | 2 | | | | | | |

Fig.13. LUB. OIL PIPES

(A)=4T112TL-GN
(B)=
(C)=

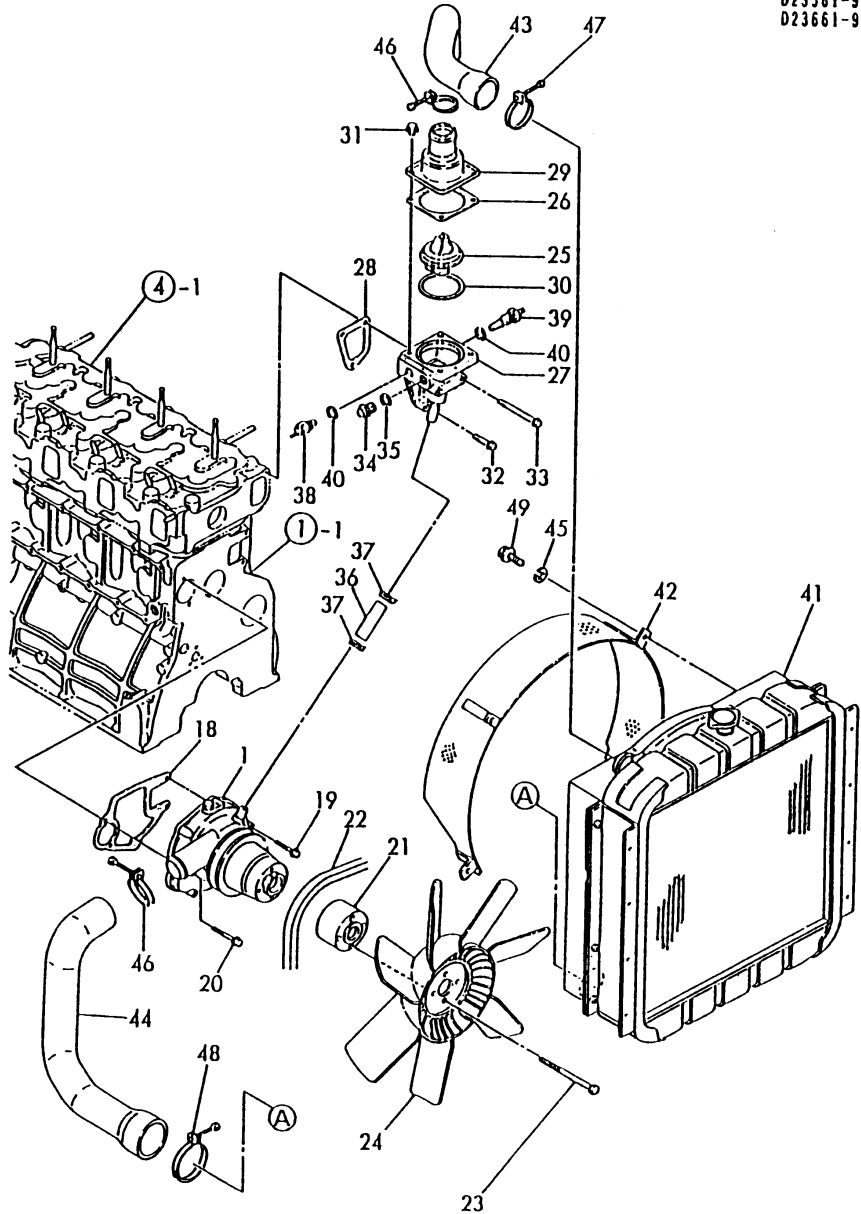
(D)=
(E)=
(F)=



D23660-39100
D23561-91200

| No. | Lev. | Parts No. | Description | Q'ty | | | | | | I | R |
|-----|------|--------------|---------------------|------|-----|-----|-----|-----|-----|---|---|
| | | | | (A) | (B) | (C) | (D) | (E) | (F) | | |
| 1 | 1 | 127410-39040 | GASKET | 1 | | | | | | | |
| 2 | 1 | 123550-39100 | PIPE ASSY, OIL | 1 | | | | | | | |
| 6 | 1 | 123500-39131 | GASKET | 1 | | | | | | | |
| 7 | 1 | 123500-39131 | GASKET | 1 | | | | | | | |
| 8 | 1 | 127675-39040 | GASKET | 1 | | | | | | | |
| 9 | 1 | 105582-39150 | RETAINER | 1 | | | | | | | |
| 10 | 1 | 121252-39150 | BOLT, JOINT M10X1.5 | 1 | | | | | | | |
| 11 | 1 | 123550-39200 | PIPE ASSY, OIL | 1 | | | | | | | |
| 15 | 1 | 123500-39300 | PIPE ASSY, OIL | 1 | | | | | | | |
| 18 | 1 | 123600-39401 | PIPE ASSY, OIL | 1 | | | | | | | |
| 21 | 1 | 123600-39420 | VALVE ASSY, CHECK | 1 | | | | | | | |
| 27 | 1 | 121250-39450 | SWITCH, 1.0KG | 1 | | | | | | | |
| 28 | 1 | 123600-39551 | PIPE, OIL | 1 | | | | | | | |
| 29 | 1 | 123682-39560 | DAMPER, PT1/8 | 1 | | | | | | | |
| 33 | 1 | 121952-39600 | JOINT, PIPE | 1 | | | | | | | |
| 34 | 1 | 124323-84920 | RETAINER | 2 | | | | | | | |
| 35 | 1 | 23000-025000 | CLAMP, 25 | 2 | | | | | | | |
| 36 | 1 | 23414-080000 | GASKET, 8X1.0 | 4 | | | | | | | |
| 37 | 1 | 23414-100000 | GASKET, 10X1.0 | 4 | | | | | | | |
| 38 | 1 | 23857-030000 | BOLT, JOINT 3 | 2 | | | | | | | |
| 39 | 1 | 24316-000200 | O-RING, 4DP20.0 | 1 | | | | | | | |
| 40 | 1 | 144626-91560 | SENSOR | 1 | | | | | | | |
| 41 | 1 | 123482-39660 | DAMPER | 1 | | | | | | | |
| 45 | 1 | 26106-080162 | BOLT, M8X 16 PLATED | 2 | | | | | | | |
| 46 | 1 | 26106-060202 | BOLT, M6X 20 PLATED | 2 | | | | | | | |
| 47 | 1 | 26106-080202 | BOLT, M8X 20 PLATED | 1 | | | | | | | |
| 48 | 1 | 26106-080402 | BOLT, M8X 40 PLATED | 1 | | | | | | | |
| 49 | 1 | 26106-080402 | BOLT, M8X 40 PLATED | 2 | | | | | | | |
| 50 | 1 | 26106-080402 | BOLT, M8X 40 PLATED | 2 | | | | | | | |

Fig.14. COOLING WATER SYSTEM



023550-42101
 023550-42340
 023560-44410
 023550-49200
 023550-49250
 023550-49500
 023561-91200
 023661-93100

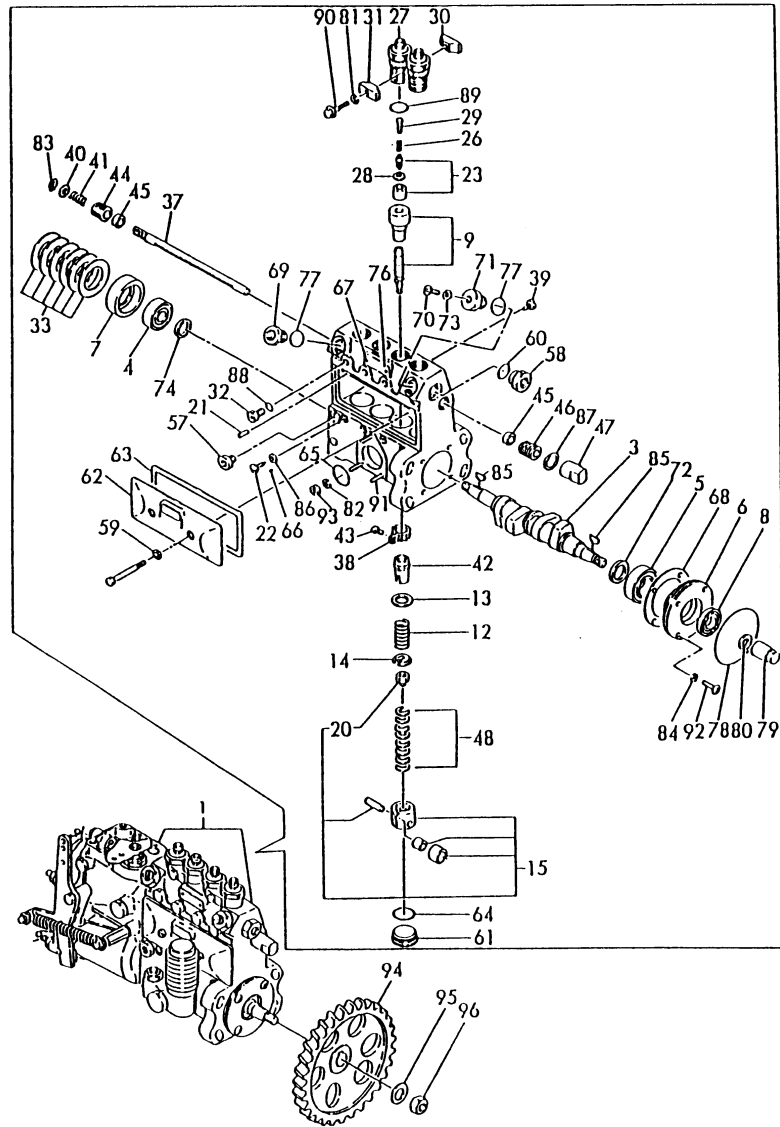
(A)=4T112TL-GN
 (B)=
 (C)=

(D)=
 (E)=
 (F)=

| No. | Lev. | Parts No. | Description | Q'ty | | | | | | I | R |
|------------|------|--------------|----------------------|------|-----|-----|-----|-----|-----|---|---|
| | | | | (A) | (B) | (C) | (D) | (E) | (F) | | |
| 1 | 1 | 123550-42001 | PUMP ASSY, WATER | 1 | | | | | | | |
| 18 | 1 | 123550-42021 | GASKET | 1 | | | | | | | |
| 19 | 1 | 26106-080552 | BOLT, M8X 55 PLATED | 3 | | | | | | | |
| 20 | 1 | 26106-080652 | BOLT, M8X 65 PLATED | 1 | | | | | | | |
| 21 | 1 | 123560-44770 | SPACER, FAN | 1 | | | | | | | |
| 22 | 1 | 123560-42421 | V-BELT, B47 | 1 | | | | | | | |
| 22-1 | 1 | 124610-77351 | V-BELT, B46 | 1 | | | | | | | N |
| (A=E01393) | | | | | | | | | | | |
| 23 | 1 | 26106-100652 | BOLT, M10X 65 PLATED | 4 | | | | | | | |
| 24 | 1 | 42421-500250 | FAN | 1 | | | | | | | |
| 25 | 1 | 124610-48610 | THERMOSTAT, 71 | 1 | | | | | | | |
| 26 | 1 | 124610-49290 | GASKET | 1 | | | | | | | |
| 27 | 1 | 123550-49510 | CASE, THERMOSTAT | 1 | | | | | | | |
| 28 | 1 | 123550-49520 | GASKET, THERMOSTAT | 1 | | | | | | | |
| 29 | 1 | 123550-49530 | COVER, THERMOSTAT | 1 | | | | | | | |
| 30 | 1 | 123500-49550 | GASKET | 1 | | | | | | | |
| 31 | 1 | 26106-080122 | BOLT, M8X 12 PLATED | 4 | | | | | | | |
| 32 | 1 | 26106-080352 | BOLT, M8X 35 PLATED | 1 | | | | | | | |
| 33 | 1 | 26106-080802 | BOLT, M8X 80 PLATED | 2 | | | | | | | |
| 34 | 1 | 105425-01690 | PLUG, 16 | 1 | | | | | | | |
| 35 | 1 | 23414-160000 | GASKET, 16X1.0 | 1 | | | | | | | |
| 36 | 1 | 123550-49030 | HOSE, RUBBER | 1 | | | | | | | |
| 37 | 1 | 23000-022000 | CLAMP, 22 | 2 | | | | | | | |
| 38 | 1 | 121250-44901 | SWITCH, 110 | 1 | | | | | | | |
| 39 | 1 | 171375-44910 | SENSOR | 1 | | | | | | | |
| 40 | 1 | 23414-160000 | GASKET, 16X1.0 | 2 | | | | | | | |
| 41 | 1 | 123660-44500 | RADIATOR | 1 | | | | | | | |
| 42 | 1 | 123560-44760 | PROTECTOR, FAN | 1 | | | | | | | |
| 43 | 1 | 123560-49350 | PIPE | 1 | | | | | | | |
| 44 | 1 | 123560-49360 | PIPE | 1 | | | | | | | |
| 45 | 1 | 22217-080000 | WASHER, SPRING 8 | 4 | | | | | | | |
| 46 | 1 | 23000-060000 | CLAMP, 60 | 2 | | | | | | | |
| 47 | 1 | 23000-070000 | CLAMP, 70 | 1 | | | | | | | |
| 48 | 1 | 23000-080000 | CLAMP, 80 | 1 | | | | | | | |
| 49 | 1 | 26106-080122 | BOLT, M8X 12 PLATED | 4 | | | | | | | |

Fig.15. FUEL INJECTION PUMP

D23500-25200
723660-51300



(A)=4T112TL-GN
(B)=
(C)=

(D)=
(E)=
(F)=

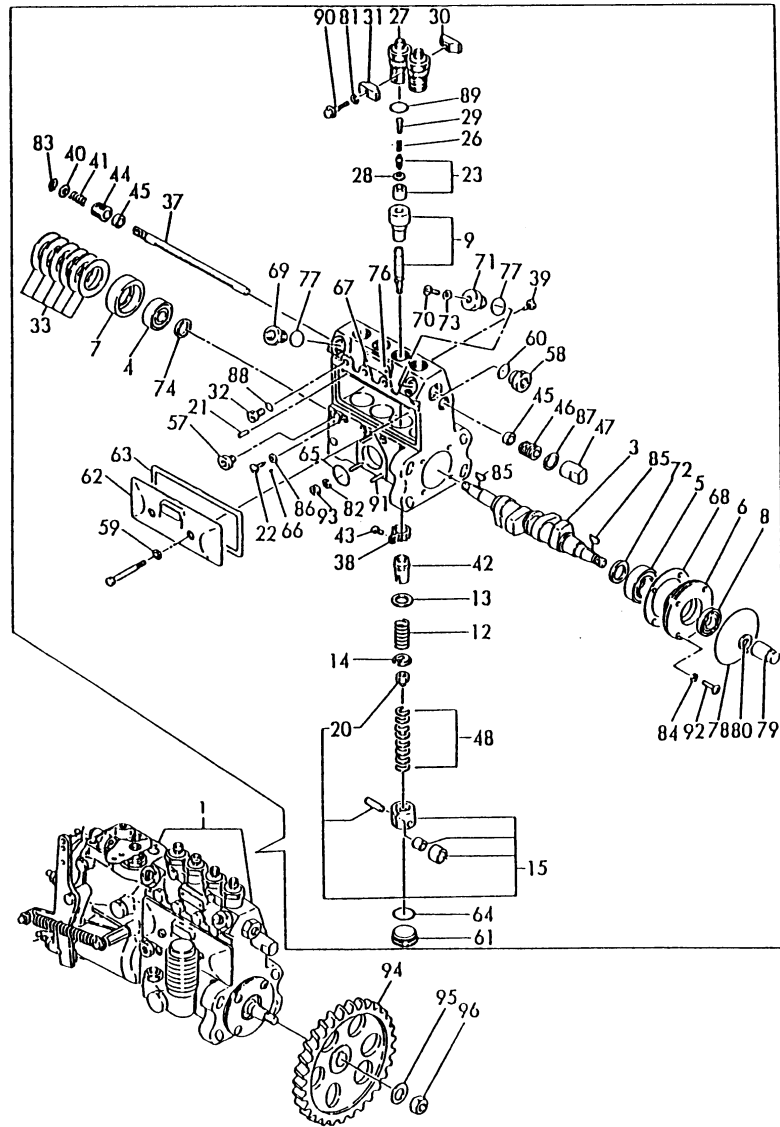
| No. | Lev. | Parts No. | Description | Qty | | | | | | I | R |
|-----|------|--------------|----------------------|-----|-----|-----|-----|-----|-----|---|---|
| | | | | (A) | (B) | (C) | (D) | (E) | (F) | | |
| 1 | 1 | 723660-51300 | PUMP ASSY, INJECTION | 1 | | | | | | | 1 |
| 3 | 2 | 124410-51031 | CAMSHAFT | 1 | | | | | | | |
| 4 | 2 | 122710-51050 | BEARING, HR30203J | 1 | | | | | | | |
| 5 | 2 | 124410-51050 | BEARING | 1 | | | | | | | |
| 6 | 2 | 124410-51061 | RETAINER, BEARING A | 1 | | | | | | | |
| 7 | 2 | 121850-51070 | RETAINER, SPRING B | 1 | | | | | | | |
| 8 | 2 | 124410-51081 | SEAL, VC20 32 5 | 1 | | | | | | | |
| 9 | 2 | 123560-51100 | PLUNGER ASSY | 4 | | | | | | | |
| 12 | 2 | 122710-51160 | SPRING, PLUNGER | 4 | | | | | | | |
| 13 | 2 | 122710-51170 | RETAINER, SPRING | 4 | | | | | | | |
| 14 | 2 | 122710-51180 | RETAINER, SPRING | 4 | | | | | | | |
| 15 | 2 | 124410-51200 | TAPPET ASSY | 4 | | | | | | | |
| 20 | 3 | 124410-51250 | BOLT, ADJUSTING | 4 | | | | | | | |
| 21 | 2 | 174307-51250 | PIN, LOCK | 4 | | | | | | | |
| 22 | 2 | 122710-51270 | STOPPER | 4 | | | | | | | |
| 23 | 2 | 123500-51300 | VALVE ASSY, DELIVERY | 4 | | | | | | | |
| 26 | 2 | 121952-51330 | SPRING, DELIVERY | 4 | | | | | | | |
| 27 | 2 | 124410-51341 | RETAINER | 4 | | | | | | | |
| 28 | 2 | 122710-51350 | GASKET | 4 | | | | | | | |
| 29 | 2 | 121952-51370 | STOPPER, VALVE | 4 | | | | | | | |
| 30 | 2 | 121850-51380 | STOPPER | 2 | | | | | | | |
| 31 | 2 | 121850-51390 | STOPPER | 2 | | | | | | | |
| 32 | 2 | 124410-51400 | PROTECTOR, SPILL | 4 | | | | | | | |
| 33 | 2 | 121850-51450 | SHIM SET, ADJUSTING | 1 | | | | | | | |
| 37 | 2 | 121950-51500 | RACK, CONTROL | 1 | | | | | | | |
| 38 | 2 | 122710-51510 | PINION, CONTROL | 4 | | | | | | | |
| 39 | 2 | 122710-51520 | STOOPER, RACK | 1 | | | | | | | |
| 40 | 2 | 121850-51530 | SPACER | 1 | | | | | | | |
| 41 | 2 | 122710-51540 | SPRING, RACK | 1 | | | | | | | |
| 42 | 2 | 124410-51550 | SLEEVE, CONTROL | 4 | | | | | | | |
| 43 | 2 | 122117-51560 | SCREW | 4 | | | | | | | |
| 44 | 2 | 122710-51571 | SCREW | 1 | | | | | | | |
| 45 | 2 | 122710-51580 | BUSH, RACK | 2 | | | | | | | |
| 46 | 2 | 122710-51590 | SCREW | 1 | | | | | | | |
| 47 | 2 | 123500-51600 | NUT, CAP | 1 | | | | | | | |
| 48 | 2 | 124410-51600 | SHIM SET, ADJUSTING | 4 | | | | | | | |
| 57 | 2 | 121850-51700 | BUSH | 1 | | | | | | | |
| 58 | 2 | 122710-51701 | PLUG | 1 | | | | | | | |
| 59 | 2 | 144626-51700 | WASHER, SEAL | 2 | | | | | | | |
| 60 | 2 | 122710-51721 | O-RING, 2017 | 1 | | | | | | | |
| 61 | 2 | 124410-51730 | PLUG | 4 | | | | | | | |
| 62 | 2 | 121950-51751 | COVER | 1 | | | | | | | |
| 63 | 2 | 121950-51761 | GASKET | 1 | | | | | | | |
| 64 | 2 | 122710-51790 | O-RING | 4 | | | | | | | |
| 65 | 2 | 122710-51870 | O-RING, S32 | 1 | | | | | | | |
| 66 | 2 | 122710-51880 | STOPPER | 4 | | | | | | | |
| 67 | 2 | 124220-51890 | RIVET | 2 | | | | | | | |
| 68 | 2 | 124410-51890 | GASKET | 1 | | | | | | | |
| 69 | 2 | 121952-51900 | PLUG | 1 | | | | | | | |
| 70 | 2 | 122710-51900 | PLUG | 1 | | | | | | | |
| 71 | 2 | 121950-51910 | PLUG | 1 | | | | | | | |

Remarks

(1) GOVERNOR(FIG.NO.16) & FEED PUMP (FIG.NO.17) IS INCORPORATED IN THIS FUEL INJECTION PUMP(REF.NO. 1).

Fig.15. FUEL INJECTION PUMP

023500-25200
723660-51300



(A)=4T112TL-GN
(B)=
(C)=

(D)=
(E)=
(F)=

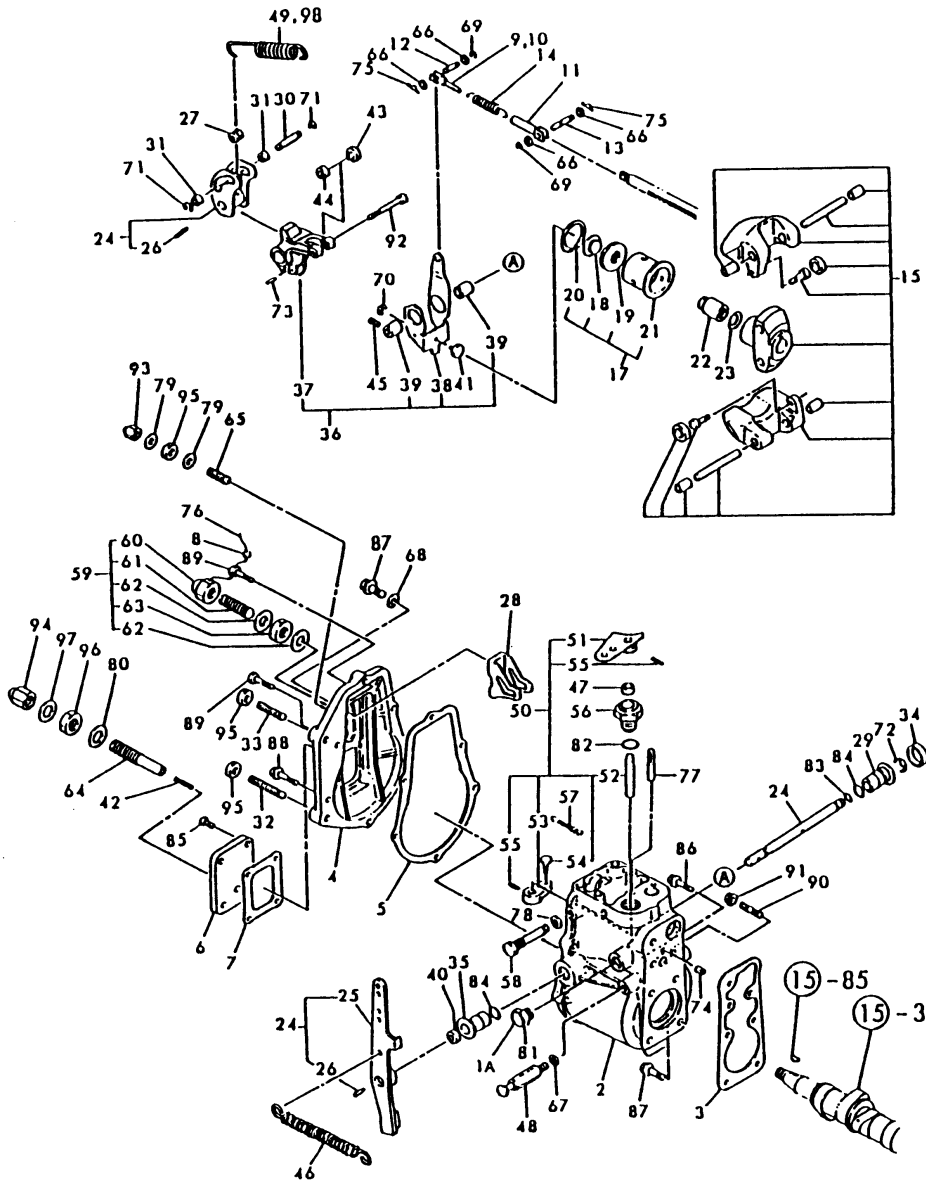
| No. | Lev. | Parts No. | Description | Q'ty | | | | | | I | R |
|-----|------|--------------|---------------------|------|-----|-----|-----|-----|-----|---|---|
| | | | | (A) | (B) | (C) | (D) | (E) | (F) | | |
| 72 | 2 | 124410-51910 | SPACER, CAMSHAFT | 1 | | | | | | | |
| 73 | 2 | 180110-51910 | GASKET, PLUG | 1 | | | | | | | |
| 74 | 2 | 122710-51920 | SPACER | 1 | | | | | | | |
| 76 | 2 | 124410-51940 | LABEL, CAUTION | 1 | | | | | | | |
| 77 | 2 | 144626-51950 | O-RING, 1016 | 2 | | | | | | | |
| 78 | 2 | 124410-51960 | O-RING | 1 | | | | | | | |
| 79 | 2 | 124410-51980 | NUT, CAP | 1 | | | | | | | |
| 80 | 2 | 124410-51990 | WASHER, SPRING | 1 | | | | | | | |
| 81 | 2 | 22217-060000 | WASHER, SPRING 6 | 2 | | | | | | | |
| 82 | 2 | 22217-060000 | WASHER, SPRING 6 | 3 | | | | | | | |
| 83 | 2 | 22242-000110 | RING, 11 | 1 | | | | | | | |
| 84 | 2 | 22287-060000 | WASHER 6 | 4 | | | | | | | |
| 85 | 2 | 22522-040160 | KEY, WOODRUFF 4X16 | 1 | | | | | | | |
| 86 | 2 | 23414-060000 | GASKET, 6X1.0 | 4 | | | | | | | |
| 87 | 2 | 23414-180023 | GASKET, 18X1.0 | 1 | | | | | | | |
| 88 | 2 | 24311-000080 | O-RING, 1AP8.0 | 4 | | | | | | | |
| 89 | 2 | 24311-000210 | O-RING, 1AP21.0 | 4 | | | | | | | |
| 90 | 2 | 26106-060352 | BOLT, M6X 35 PLATED | 2 | | | | | | | |
| 91 | 2 | 26216-060162 | STUD, M6X 16 | 3 | | | | | | | |
| 92 | 2 | 26557-060202 | SCREW, M6X20 | 4 | | | | | | | |
| 93 | 2 | 26716-060002 | NUT, M6 | 3 | | | | | | | |
| 94 | 1 | 123500-25900 | GEAR, PUMP | 1 | | | | | | | |
| 95 | 1 | 22117-140000 | WASHER, 14 | 1 | | | | | | | |
| 96 | 1 | 26736-140002 | NUT, M14 | 1 | | | | | | | |

Remarks

(1) GOVERNOR(FIG.NO.16) & FEED PUMP (FIG.NO.17) IS INCORPORATED IN THIS FUEL INJECTION PUMP(REF.NO. 1).

Fig.16. GOVERNOR

723660-51300



(A)=4T112TL-GN

(B)=

(C)=

(D)=

(E)=

(F)=

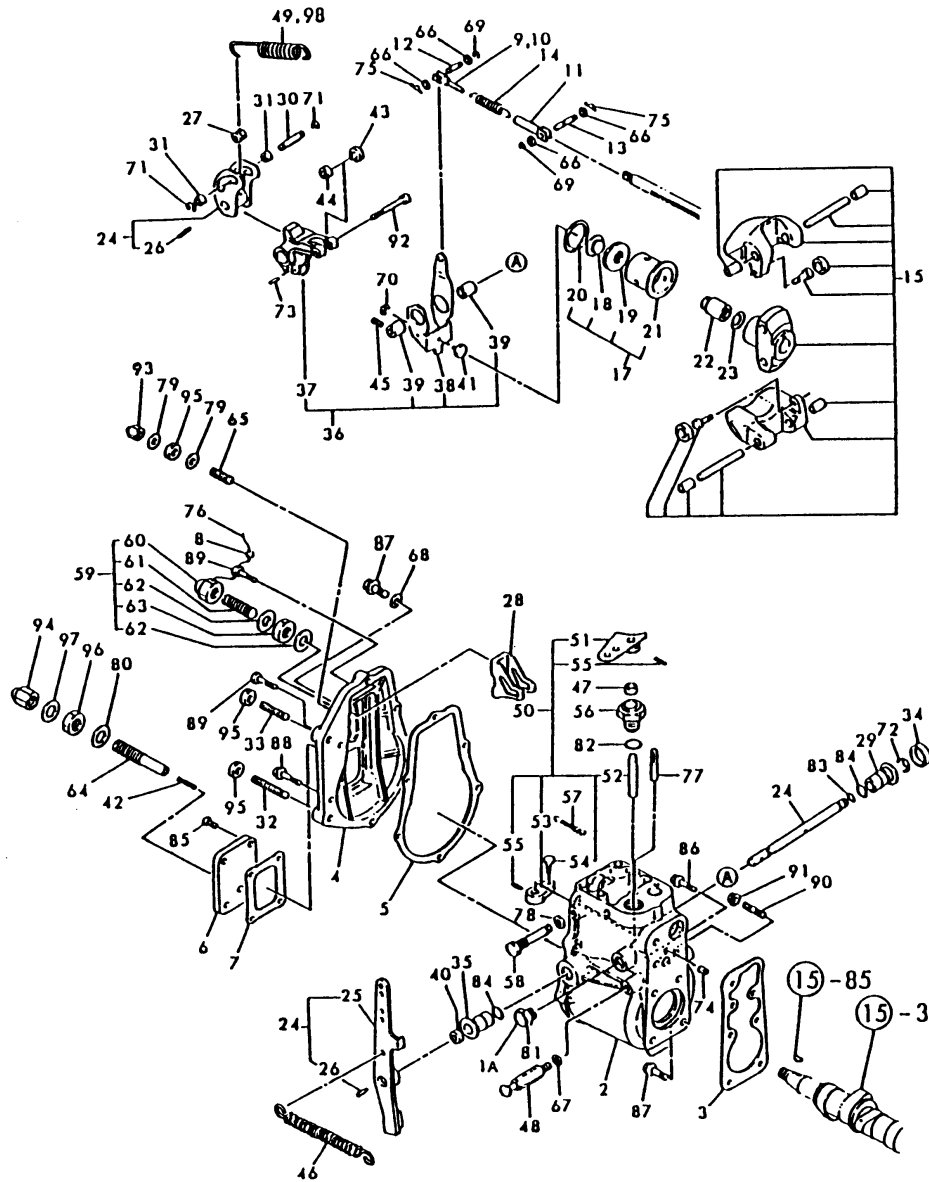
| No. | Lev. | Parts No. | Description | Q'ty | | | | | | I | R |
|------|------|--------------|----------------------|------|-----|-----|-----|-----|-----|---|---|
| | | | | (A) | (B) | (C) | (D) | (E) | (F) | | |
| 1A | 2 | 124610-51970 | LABEL | 1 | | | | | | | |
| 2 | 2 | 121850-61011 | CASE, GOVERNOR | 1 | | | | | | | |
| 3 | 2 | 121850-61050 | GASKET | 1 | | | | | | | |
| 4 | 2 | 124616-61060 | COVER, GOVERNOR CASE | 1 | | | | | | | |
| 5 | 2 | 121850-61071 | GASKET | 1 | | | | | | | |
| 6 | 2 | 128300-61070 | COVER, GOVERNOR CASE | 1 | | | | | | | |
| 7 | 2 | 124616-61080 | GASKET | 1 | | | | | | | |
| 8 | 2 | 135210-61090 | LEAD | 2 | | | | | | | |
| 9 | 2 | 121850-61140 | LINK, A MARK -2 | 1 | | | | | | | |
| 10 | 2 | 121850-61150 | LINK, A MARK -1 | 1 | | | | | | | |
| 11 | 2 | 121850-61160 | LINK | 1 | | | | | | | |
| 12 | 2 | 121850-61170 | PIN, LINK | 1 | | | | | | | |
| 13 | 2 | 121850-61180 | PIN, LINK | 1 | | | | | | | |
| 14 | 2 | 121850-61190 | SPRING | 1 | | | | | | | |
| 15 | 2 | 124410-61200 | WEIGHT ASSY,GOVERNOR | 1 | | | | | | | |
| 15-1 | 2 | 124610-61200 | WEIGHT ASSY,GOVERNOR | 1 | | | | | | | N |
| | | (A=EXXX) | | | | | | | | | |
| 17 | 2 | 128300-61300 | SLEEVE ASSY | 1 | | | | | | | |
| 18 | 3 | 121850-61310 | SHIFTER | 1 | | | | | | | |
| 19 | 3 | 121850-61320 | BEARING, THRUST | 1 | | | | | | | |
| 20 | 3 | 121850-61350 | CIRCLIP | 1 | | | | | | | |
| 21 | 3 | 128300-61350 | SLEEVE | 1 | | | | | | | |
| 22 | 2 | 121850-61380 | NUT | 1 | | | | | | | |
| 23 | 2 | 121850-61390 | SPRING | 1 | | | | | | | |
| 24 | 2 | 124616-61401 | SHAFT ASSY | 1 | | | | | | | |
| 25 | 3 | 124616-61440 | LEVER, CONTROL | 1 | | | | | | | |
| 26 | 3 | 22322-030250 | PIN, TAPER 3X25 | 2 | | | | | | | |
| 27 | 2 | 124616-61410 | ROLLER | 1 | | | | | | | |
| 28 | 2 | 124616-61431 | GUIDE, SPRING | 1 | | | | | | | |
| 29 | 2 | 129795-61430 | BUSH | 2 | | | | | | | |
| 30 | 2 | 124616-61451 | PIN | 1 | | | | | | | |
| 31 | 2 | 124616-61460 | ROLLER | 2 | | | | | | | |
| 32 | 2 | 121850-61470 | BOLT, LIMITER | 1 | | | | | | | |
| 33 | 2 | 121850-61470 | BOLT, LIMITER | 1 | | | | | | | |
| 33-1 | 2 | 121855-61910 | BOLT, LIMITER | 1 | | | | | | | N |
| | | (A=EXXX) | | | | | | | | | |
| 34 | 2 | 129795-61470 | PLUG, 20 | 1 | | | | | | | |
| 35 | 2 | 124616-61480 | BUSH | 1 | | | | | | | |
| 36 | 2 | 123560-61500 | LEVER ASSY, GOVERNOR | 1 | | | | | | | |
| 37 | 3 | 123560-61510 | LEVER, TENSION | 1 | | | | | | | |
| 38 | 3 | 124616-61520 | LEVER, GOVERNOR | 1 | | | | | | | |
| 39 | 3 | 121850-61531 | BEARING, NEEDLE | 2 | | | | | | | |
| 40 | 2 | 120320-61540 | SEAL, SC102004 | 1 | | | | | | | |
| 41 | 2 | 124616-61540 | SHIFTER | 1 | | | | | | | |
| 42 | 2 | 123560-61550 | SPRING, FUEL CONTROL | 1 | | | | | | | |
| 43 | 2 | 121850-61580 | PIECE | 1 | | | | | | | |
| 44 | 2 | 121850-61590 | PIECE | 1 | | | | | | | |
| 45 | 2 | 120130-61600 | SPRING, FUEL CONTROL | 1 | | | | | | | |
| 46 | 2 | 124616-61650 | SPRING | 1 | | | | | | | |
| 47 | 2 | 148616-61650 | SEAL, VC081404 | 1 | | | | | | | |
| 48 | 2 | 124616-61660 | BOLT | 1 | | | | | | | |

Remarks

(1) REPAIR PART.

Fig.16. GOVERNOR

723660-51300



(A)=4T112TL-GN

(B)=

(C)=

(D)=

(E)=

(F)=

| No. | Lev. | Parts No. | Description | Q'ty | | | | | | I | R |
|------|------|--------------|---------------------|------|-----|-----|-----|-----|-----|---|---|
| | | | | (A) | (B) | (C) | (D) | (E) | (F) | | |
| 49 | 2 | 123560-61710 | SPRING, GOVERNOR | 1 | | | | | | | |
| 50 | 2 | 124410-61770 | SHAFT ASSY | 1 | | | | | | | |
| 51 | 3 | 124410-61780 | LEVER, STOP | 1 | | | | | | | |
| 52 | 3 | 121850-61790 | SHAFT, STOP LEVER | 1 | | | | | | | |
| 53 | 3 | 121850-61810 | LEVER, STOP | 1 | | | | | | | |
| 54 | 3 | 121850-61820 | PIN | 1 | | | | | | | |
| 55 | 3 | 22351-030016 | PIN, SPRING 3.0X16 | 2 | | | | | | | |
| 56 | 2 | 121850-61840 | BUSH | 1 | | | | | | | |
| 57 | 2 | 124410-61860 | SPRING | 1 | | | | | | | |
| 58 | 2 | 124410-61870 | BOLT | 1 | | | | | | | |
| 59 | 2 | 124616-61900 | BOLT ASSY | 1 | | | | | | | |
| 60 | 3 | 129155-61930 | NUT, CAP | 1 | | | | | | | |
| 61 | 3 | 124616-61940 | BOLT, CONTROL | 1 | | | | | | | |
| 62 | 3 | 23414-100014 | GASKET, 10X1.0 | 2 | | | | | | | |
| 63 | 3 | 26696-100002 | NUT, LOCK M10 | 1 | | | | | | | |
| 64 | 2 | 128300-61920 | SCREW | 1 | | | | | | | |
| 65 | 2 | 124616-61960 | SCREW | 1 | | | | | | | |
| 66 | 2 | 22117-050000 | WASHER, 5 | 4 | | | | | | | |
| 67 | 2 | 22117-100000 | WASHER, 10 | 1 | | | | | | | |
| 68 | 2 | 43400-500420 | SEAL WASHER 8 | 2 | | | | | | | |
| 69 | 2 | 22272-000040 | RING, E- 4 | 2 | | | | | | | |
| 70 | 2 | 22272-000040 | RING, E- 4 | 1 | | | | | | | |
| 71 | 2 | 22272-000040 | RING, E- 4 | 2 | | | | | | | |
| 72 | 2 | 22272-000070 | RING, E- 7 | 1 | | | | | | | |
| 73 | 2 | 22351-020016 | PIN, SPRING 2.0X16 | 1 | | | | | | | |
| 74 | 2 | 22351-050012 | PIN, SPRING 5.0X12 | 1 | | | | | | | |
| 75 | 2 | 22360-050000 | SNAP PIN 5 | 2 | | | | | | | |
| 75-1 | 2 | 22372-050000 | PIN, SNAP 5 | 2 | | | | | | | N |
| | | (A=E01247) | | | | | | | | | |
| 76 | 2 | 22451-100000 | WIRE, 1.0 | 2 | | | | | | | |
| 77 | 2 | 22492-060362 | PIN, B6X36 | 1 | | | | | | | |
| 78 | 2 | 23414-080012 | GASKET, 8X1.0 | 1 | | | | | | | |
| 79 | 2 | 23414-080012 | GASKET, 8X1.0 | 2 | | | | | | | |
| 80 | 3 | 23414-120016 | GASKET, 12X1.0 | 1 | | | | | | | |
| 81 | 2 | 23887-120002 | PLUG, 12 | 1 | | | | | | | |
| 82 | 2 | 24311-000160 | O-RING, 1AP16.0 | 1 | | | | | | | |
| 83 | 2 | 24341-000080 | O-RING, 1AS8.0 | 1 | | | | | | | |
| 84 | 2 | 24341-000140 | O-RING, 1AS14.0 | 2 | | | | | | | |
| 85 | 2 | 26022-050122 | SCREW, M5X12 | 3 | | | | | | | |
| 86 | 2 | 26106-060142 | BOLT, M6X 14 PLATED | 3 | | | | | | | |
| 87 | 2 | 124616-61490 | BOLT, M6X18 | 3 | | | | | | | |
| 88 | 2 | 26106-060222 | BOLT, M6X 22 PLATED | 4 | | | | | | | |
| 89 | 2 | 26116-060256 | BOLT, M6X 25 PLATED | 2 | | | | | | | |
| 90 | 2 | 26226-060122 | STUD, M6X 12 | 1 | | | | | | | |
| 91 | 2 | 26366-060002 | NUT, M6 | 1 | | | | | | | |
| 92 | 2 | 26450-060452 | BOLT, M6X 45 | 1 | | | | | | | |
| 93 | 2 | 26667-080002 | NUT, CAP M8 | 1 | | | | | | | |
| 94 | 2 | 26686-120002 | NUT, CAP M12 | 1 | | | | | | | |
| 95 | 2 | 26757-080002 | NUT, LOCK M8 | 2 | | | | | | | |
| 96 | 2 | 26776-120002 | NUT, LOCK M12 | 1 | | | | | | | |
| 97 | 2 | 43400-500450 | SEAL WASHER 12S | 1 | | | | | | | |

Remarks

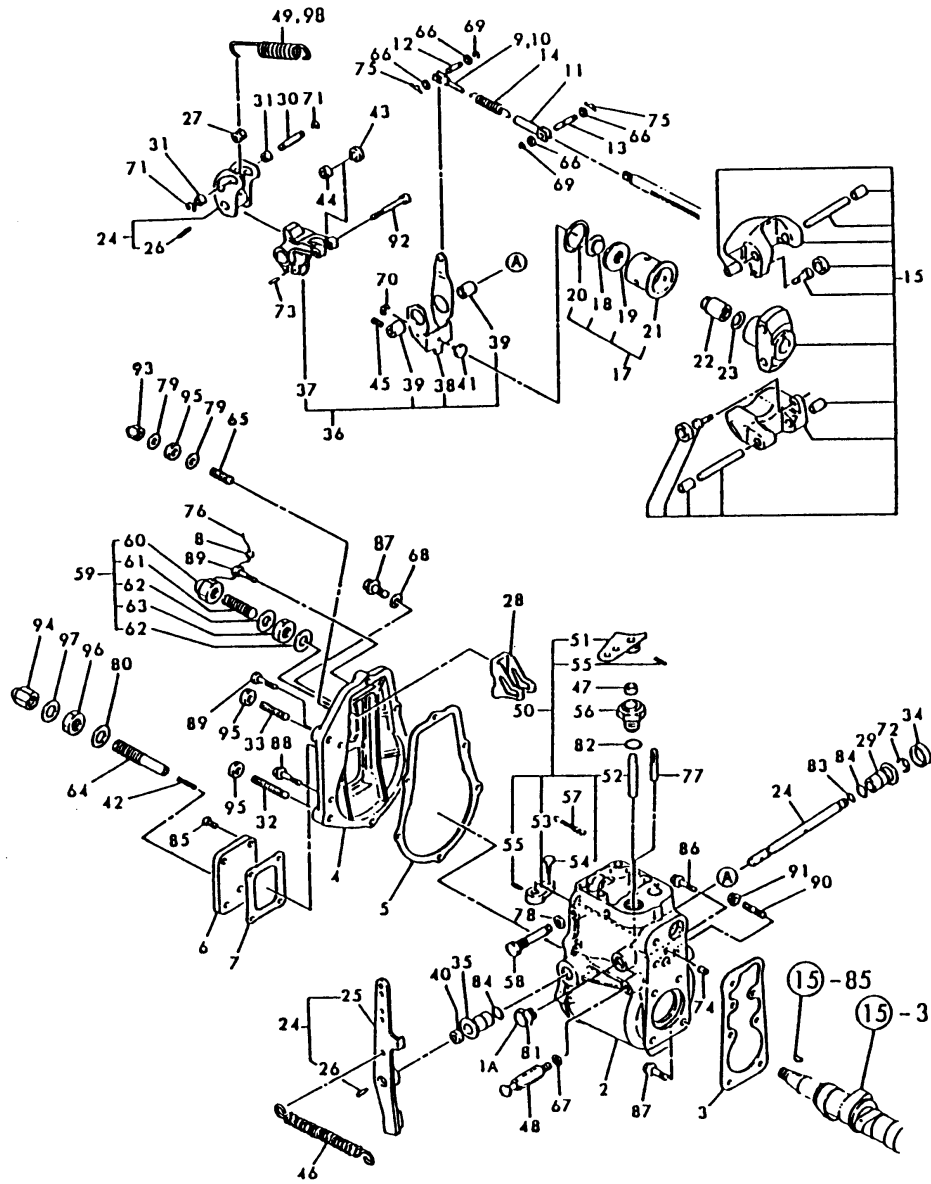
(1) REPAIR PART.

Fig.16. GOVERNOR

723660-51300

(A)=4T112TL-GN
(B)=
(C)=

(D)=
(E)=
(F)=

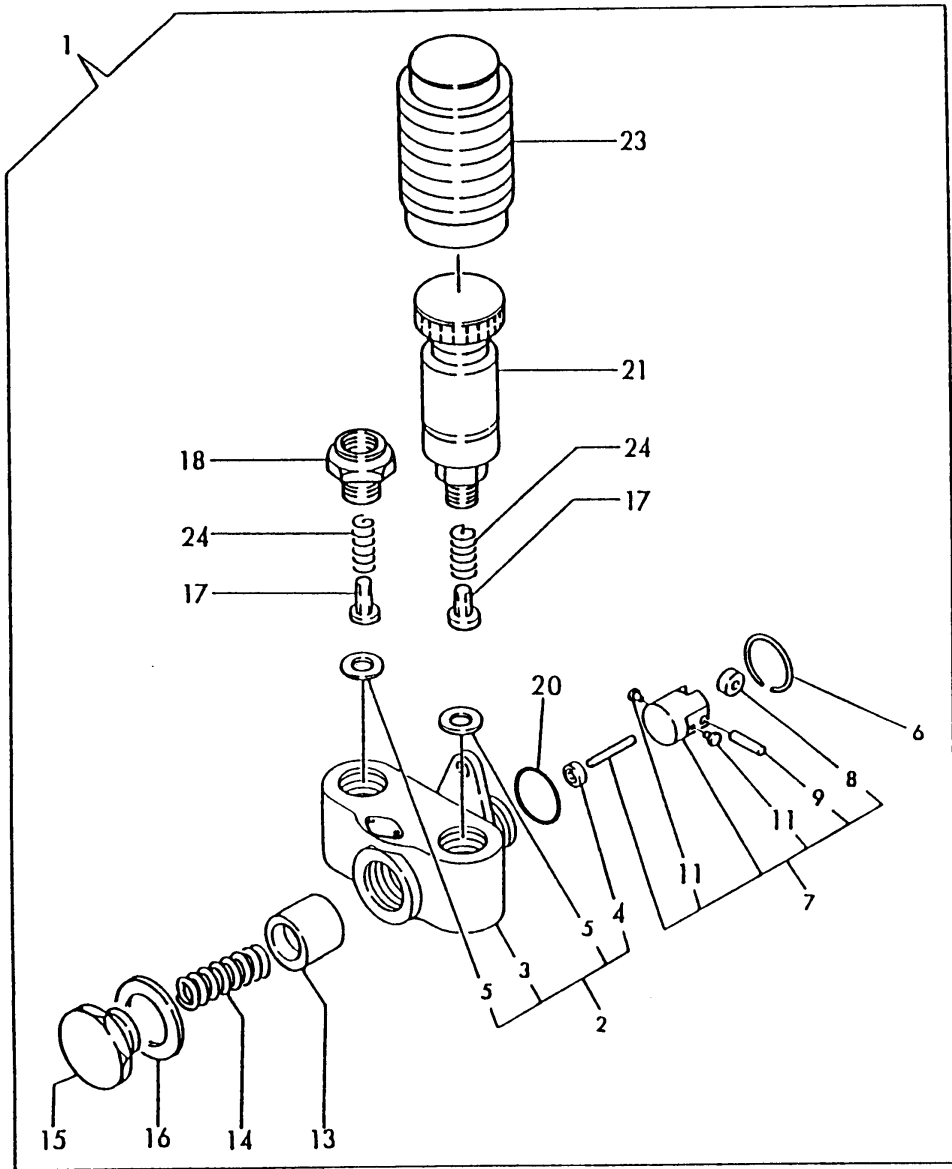


| No. | Lev. | Parts No. | Description | Q'ty | | | | | | I | R |
|-----|------|--------------|------------------|------|-----|-----|-----|-----|-----|---|---|
| | | | | (A) | (B) | (C) | (D) | (E) | (F) | | |
| 98 | 1 | 123560-61720 | SPRING, GOVERNOR | 1 | | | | | | | 1 |

Remarks
(1) REPAIR PART.

Fig.17. FUEL FEED PUMP

723660-51300



(A)=4T112TL-GN
(B)=
(C)=

(D)=
(E)=
(F)=

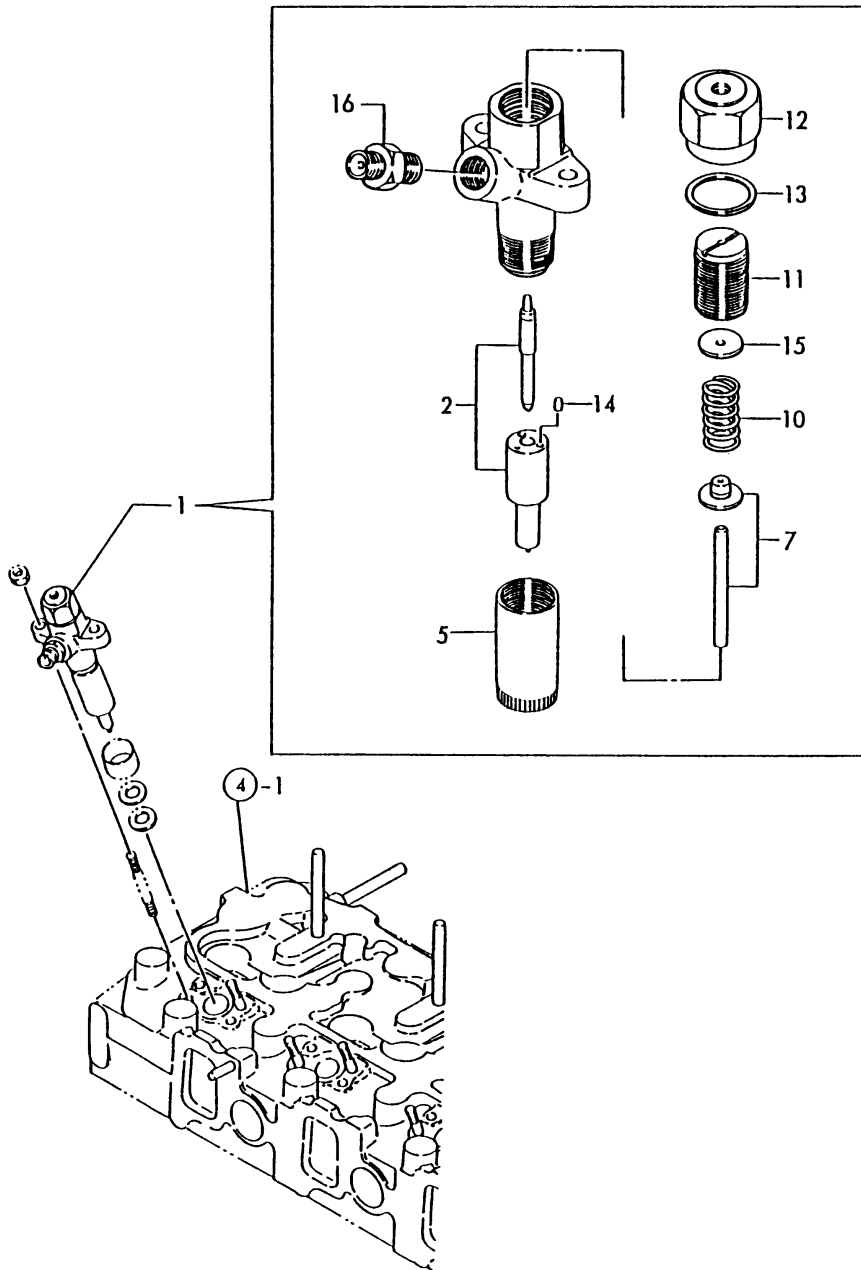
| No. | Lev. | Parts No. | Description | Q'ty | | | | | | I | R |
|-----|------|--------------|----------------------|------|-----|-----|-----|-----|-----|---|---|
| | | | | (A) | (B) | (C) | (D) | (E) | (F) | | |
| 1 | 1 | 123325-52010 | PUMP ASSY, FUEL FEED | 1 | | | | | | | |
| 2 | 2 | 121820-52020 | BODY ASSY, PUMP | 1 | | | | | | | |
| 3 | 3 | 121820-52030 | BODY, FEED PUMP | 1 | | | | | | | |
| 4 | 3 | 121820-52040 | SEAL, OIL | 1 | | | | | | | |
| 5 | 3 | 121820-52050 | GASKET | 2 | | | | | | | |
| 6 | 2 | 121820-52070 | PIN | 1 | | | | | | | |
| 7 | 2 | 121820-52100 | GUIDE ASSY, ROLLER | 1 | | | | | | | |
| 8 | 3 | 121820-52110 | ROLLER | 1 | | | | | | | |
| 9 | 3 | 121820-52120 | PIN, ROLLER | 1 | | | | | | | |
| 11 | 3 | 121820-52140 | RETAINER | 2 | | | | | | | |
| 13 | 2 | 121820-52170 | PISTON | 1 | | | | | | | |
| 14 | 2 | 121820-52180 | SPRING, VALVE | 1 | | | | | | | |
| 15 | 2 | 121820-52190 | RETAINER, SPRING | 1 | | | | | | | |
| 16 | 2 | 121820-52200 | GASKET, 25 | 1 | | | | | | | |
| 17 | 2 | 121820-52210 | VALVE | 2 | | | | | | | |
| 18 | 2 | 121820-52230 | RETAINER, SPRING | 1 | | | | | | | |
| 20 | 2 | 121820-52260 | O-RING | 1 | | | | | | | |
| 21 | 2 | 121820-52300 | PUMP, PRIMING | 1 | | | | | | | |
| 23 | 2 | 121820-52400 | COVER | 1 | | | | | | | |
| 24 | 2 | 121820-52510 | SPRING, VALVE | 2 | | | | | | | |

Fig.18. FUEL INJECTION VALVE

(A)=4T112TL-GN
(B)=
(C)=

(D)=
(E)=
(F)=

023600-53102



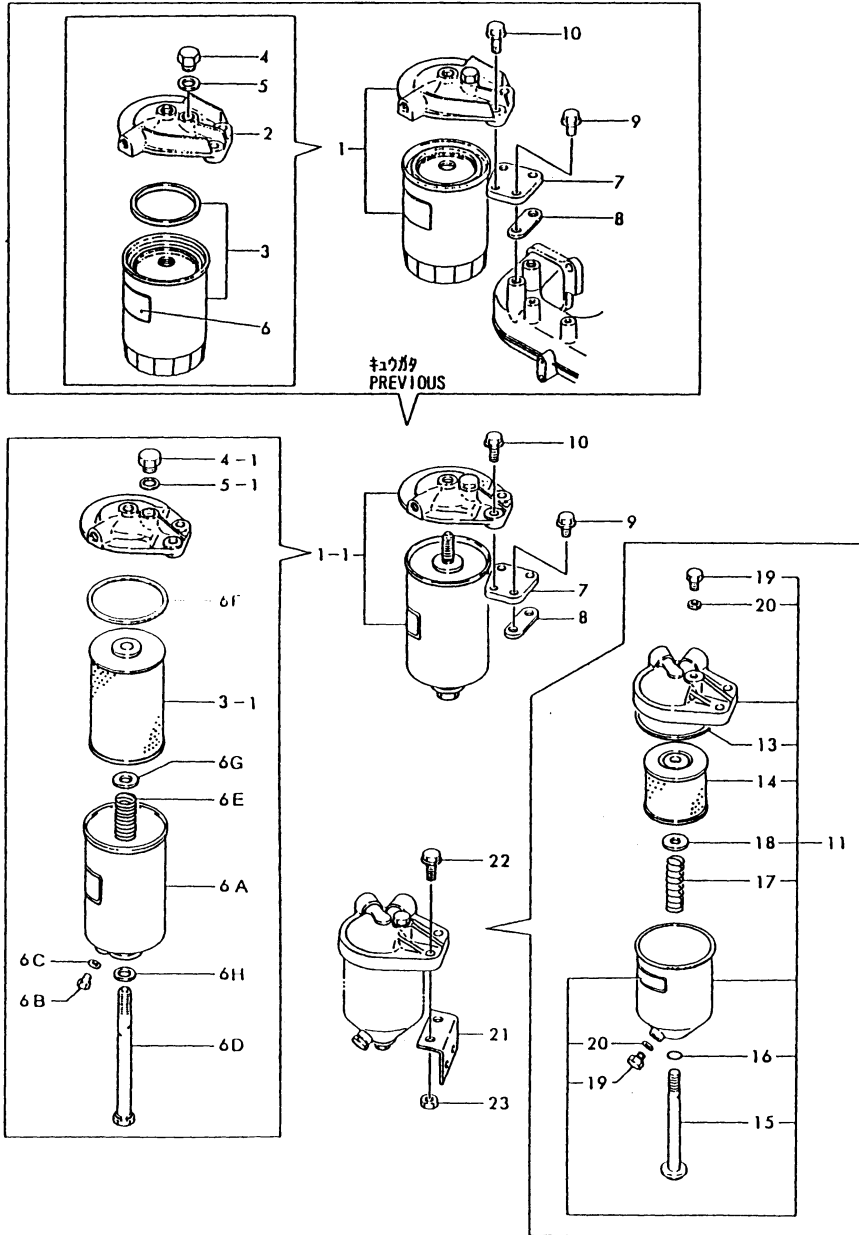
| No. | Lev. | Parts No. | Description | Q'ty | | | | | | I | R |
|------|------|--------------|----------------------|------|-----|-----|-----|-----|-----|---|---|
| | | | | (A) | (B) | (C) | (D) | (E) | (F) | | |
| 1 | 1 | 723600-53102 | VALVE ASSY,INJECTION | 4 | | | | | | | |
| 2 | 2 | 123600-53002 | VALVE ASSY,INJECTION | 4 | | | | | | | |
| 5 | 2 | 126630-53080 | NUT, NOZZLE L=48 | 4 | | | | | | | |
| 7 | 2 | 144626-53110 | SPINDLE ASSY | 4 | | | | | | | |
| 10 | 2 | 144626-53120 | SPRING, NOZZLE | 4 | | | | | | | |
| 11 | 2 | 144626-53180 | HOLDER | 4 | | | | | | | |
| 11-1 | 2 | 144626-53181 | HOLDER | 4 | | | | | | | N |
| | | (A=E01774) | | | | | | | | | |
| 12 | 2 | 126630-53190 | CAP, SPRING | 4 | | | | | | | |
| 13 | 2 | 144626-53200 | GASKET | 4 | | | | | | | |
| 14 | 2 | 103200-53210 | KNOCK, VALVE | 8 | | | | | | | |
| 15 | 2 | 144626-53300 | RETAINER, SPRING | 4 | | | | | | | |
| 15-1 | 2 | 144626-53301 | RETAINER, SPRING | 4 | | | | | | | N |
| | | (A=E01774) | | | | | | | | | |
| 16 | 2 | 127610-53330 | JOINT | 4 | | | | | | | |

Fig.19. FUEL STRAINER & WATER SEPARATE

(A)=4T112TL-GN
(B)=
(C)=

(D)=
(E)=
(F)=

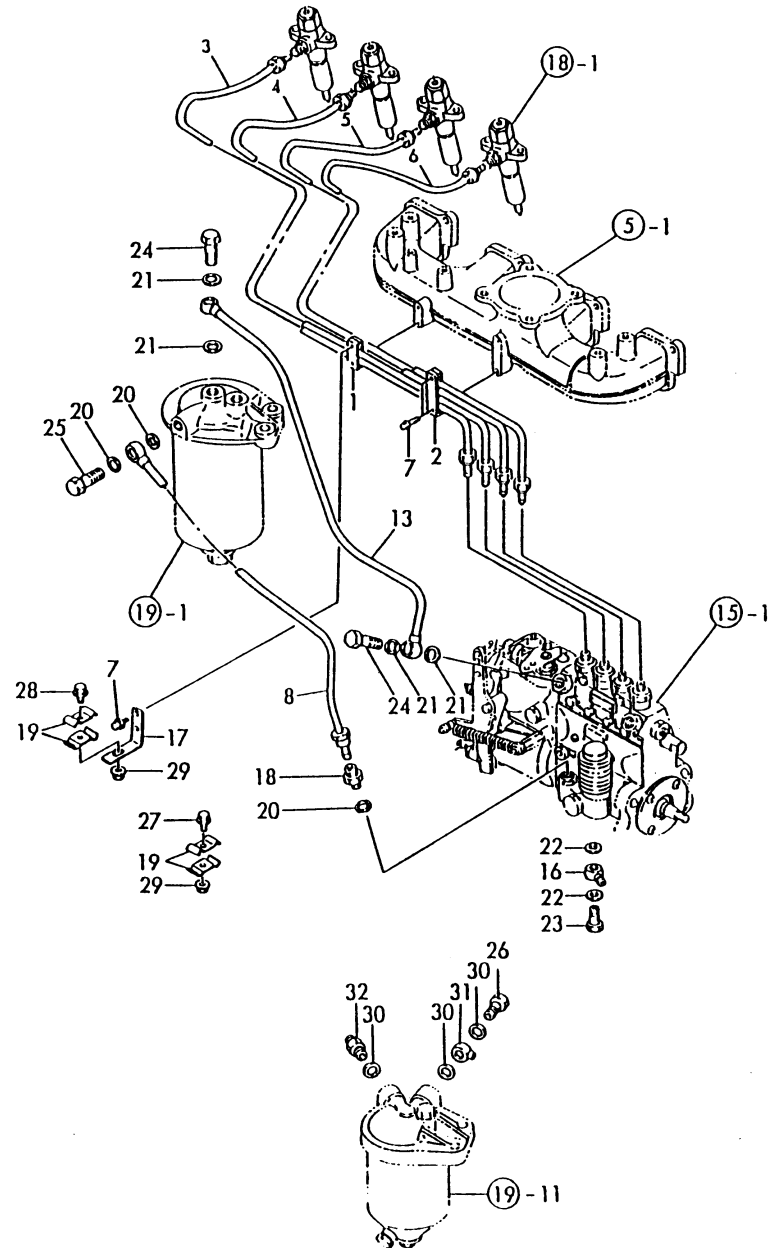
023550-55100
023661-93100



| No. | Lev. | Parts No. | Description | Q'ty | | | | | | I | R |
|------------|------|--------------|----------------------|------|-----|-----|-----|-----|-----|---|---|
| | | | | (A) | (B) | (C) | (D) | (E) | (F) | | |
| 1 | 1 | 41650-550311 | FILTER, FUEL | 1 | | | | | | | |
| 1-1 | 1 | 41650-550310 | STRAINER, FUEL | 1 | | | | | | | N |
| (A=E01048) | | | | | | | | | | | |
| 2 | 2 | 123678-55721 | CASE | 1 | | | | | | | |
| 3 | 2 | 41650-550811 | FILTER, FUEL | 1 | | | | | | | |
| 3-1 | 2 | 41650-550810 | STRAINER | 1 | | | | | | | N |
| (A=E01048) | | | | | | | | | | | |
| 4 | 2 | 123678-55880 | PLUG, M14 | 2 | | | | | | | |
| 4-1 | 2 | 123678-55880 | PLUG, M14 | 1 | | | | | | | K |
| (A=E01048) | | | | | | | | | | | |
| 5 | 2 | 123678-55890 | GASKET | 3 | | | | | | | |
| 5-1 | 2 | 123678-55890 | GASKET | 1 | | | | | | | K |
| (A=E01048) | | | | | | | | | | | |
| 6 | 2 | 41650-501180 | LABEL, CAUTION | 1 | | | | | | | Z |
| (A=E01048) | | | | | | | | | | | |
| 6A | 2 | 123678-55720 | CASE | 1 | | | | | | | W |
| (A=E01048) | | | | | | | | | | | |
| 6B | 2 | 123672-55750 | PLUG, DRAIN M8 | 1 | | | | | | | W |
| (A=E01048) | | | | | | | | | | | |
| 6C | 2 | 123672-55760 | GASKET | 1 | | | | | | | W |
| (A=E01048) | | | | | | | | | | | |
| 6D | 2 | 123678-55770 | BOLT | 1 | | | | | | | W |
| (A=E01048) | | | | | | | | | | | |
| 6E | 2 | 123678-55790 | SPRING, SET | 1 | | | | | | | W |
| (A=E01048) | | | | | | | | | | | |
| 6F | 2 | 123678-55850 | GASKET | 1 | | | | | | | W |
| (A=E01048) | | | | | | | | | | | |
| 6G | 2 | 123678-55860 | SEAT, SPRING D30/16 | 1 | | | | | | | W |
| (A=E01048) | | | | | | | | | | | |
| 6H | 2 | 123678-55870 | GASKET | 1 | | | | | | | W |
| (A=E01048) | | | | | | | | | | | |
| 7 | 1 | 123550-55690 | SUPPORT | 1 | | | | | | | |
| 8 | 1 | 127610-55820 | PAD | 1 | | | | | | | |
| 9 | 1 | 26106-100202 | BOLT, M10X 20 PLATED | 2 | | | | | | | |
| 10 | 1 | 26106-100252 | BOLT, M10X 25 PLATED | 2 | | | | | | | |
| 11 | 1 | 43623-500030 | SEPARATOR | 1 | | | | | | | |
| 13 | 2 | 123325-35140 | GASKET | 1 | | | | | | | |
| 14 | 2 | 42430-550060 | ELEMENT, FUEL OIL | 1 | | | | | | | |
| 15 | 2 | 123325-35110 | BOLT | 1 | | | | | | | |
| 16 | 2 | 24311-000120 | O-RING, 1AP12.0 | 1 | | | | | | | |
| 17 | 2 | 123678-55790 | SPRING, SET | 1 | | | | | | | |
| 18 | 2 | 123678-55860 | SEAT, SPRING D30/16 | 1 | | | | | | | |
| 19 | 2 | 23887-080002 | PLUG 8 | 2 | | | | | | | |
| 20 | 2 | 23414-080000 | GASKET, 8X1.0 | 2 | | | | | | | |
| 21 | 1 | 123672-55811 | BRACKET | 1 | | | | | | | |
| 22 | 1 | 26106-100302 | BOLT, M10X 30 PLATED | 2 | | | | | | | |
| 23 | 1 | 26706-100002 | NUT, M10 | 2 | | | | | | | |

Fig.20. FUEL OIL PIPES

023650-59110
023651-59200
023661-93100



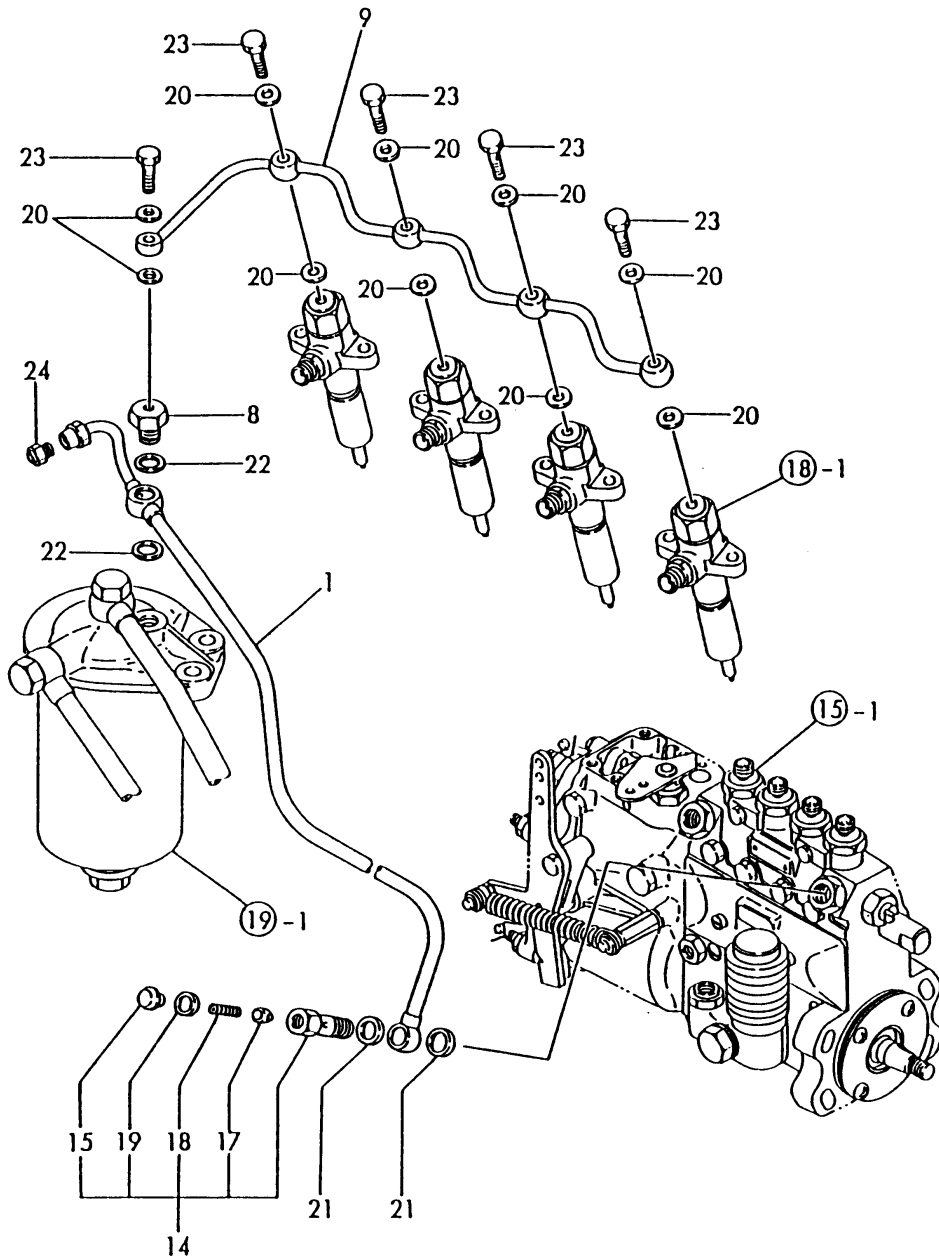
(A)=4T112TL-GN
(B)=
(C)=

(D)=
(E)=
(F)=

| No. | Lev. | Parts No. | Description | Q'ty | | | | | | I | R |
|------------|------|--------------|----------------------|------|-----|-----|-----|-----|-----|---|---|
| | | | | (A) | (B) | (C) | (D) | (E) | (F) | | |
| 1 | 1 | 122780-59100 | RETAINER | 2 | | | | | | | |
| 2 | 1 | 123472-59120 | RETAINER, PIPE | 2 | | | | | | | |
| 3 | 1 | 123650-59900 | PIPE ASSY, INJECTION | 1 | | | | | | | |
| 4 | 1 | 123650-59910 | PIPE ASSY, INJECTION | 1 | | | | | | | |
| 5 | 1 | 123650-59920 | PIPE ASSY, INJECTION | 1 | | | | | | | |
| 6 | 1 | 123650-59930 | PIPE ASSY, INJECTION | 1 | | | | | | | |
| 7 | 1 | 26106-060202 | BOLT, M6X 20 PLATED | 4 | | | | | | | |
| 8 | 1 | 123561-59010 | PIPE ASSY, FUEL | 1 | | | | | | | |
| 13 | 1 | 123561-59020 | PIPE ASSY, FUEL | 1 | | | | | | | |
| 16 | 1 | 171090-59130 | JOINT, PIPE | 1 | | | | | | | |
| 17 | 1 | 123561-59200 | RETAINER | 1 | | | | | | | |
| 18 | 1 | 144628-59520 | UNION, 10 | 1 | | | | | | | |
| 19 | 1 | 127450-59680 | RETAINER | 4 | | | | | | | |
| 20 | 1 | 23414-140018 | GASKET, 14X1.0 | 3 | | | | | | | |
| 20-1 | 1 | 43400-500470 | SEAL WASHER 14S | 3 | | | | | | | N |
| (A=E01648) | | | | | | | | | | | |
| 21 | 1 | 23414-140018 | GASKET, 14X1.0 | 4 | | | | | | | |
| 21-1 | 1 | 43400-500470 | SEAL WASHER 14S | 4 | | | | | | | N |
| (A=E01648) | | | | | | | | | | | |
| 22 | 1 | 23414-140018 | GASKET, 14X1.0 | 2 | | | | | | | |
| 22-1 | 1 | 43400-500470 | SEAL WASHER 14S | 2 | | | | | | | N |
| (A=E01648) | | | | | | | | | | | |
| 23 | 1 | 23857-080000 | BOLT, JOINT 8 | 1 | | | | | | | |
| 24 | 1 | 23857-080000 | BOLT, JOINT 8 | 2 | | | | | | | |
| 25 | 1 | 23857-080000 | BOLT, JOINT 8 | 1 | | | | | | | |
| 26 | 1 | 23857-080000 | BOLT, JOINT 8 | 1 | | | | | | | |
| 27 | 1 | 26106-080142 | BOLT, M8X 14 PLATED | 1 | | | | | | | |
| 28 | 1 | 26106-080202 | BOLT, M8X 20 PLATED | 1 | | | | | | | |
| 29 | 1 | 26366-080002 | NUT, M8 | 2 | | | | | | | |
| 30 | 1 | 43400-500470 | SEAL WASHER 14S | 3 | | | | | | | |
| 31 | 1 | 110250-39030 | JOINT | 1 | | | | | | | |
| 32 | 1 | 171090-59140 | JOINT | 1 | | | | | | | |

Fig.21. FUEL OIL RETURN PIPES

023561-59300



(A)=4T112TL-GN
(B)=
(C)=

(D)=
(E)=
(F)=

| No. | Lev. | Parts No. | Description | Q'ty | | | | | | I | R |
|------------|------|--------------|----------------------|------|-----|-----|-----|-----|-----|---|---|
| | | | | (A) | (B) | (C) | (D) | (E) | (F) | | |
| 1 | 1 | 123561-59030 | PIPE ASSY, FUEL | 1 | | | | | | | |
| 8 | 1 | 129495-59300 | BOLT, PIPE JOINT | 1 | | | | | | | |
| 9 | 1 | 123550-59550 | PIPE ASSY, RETURN | 1 | | | | | | | |
| 14 | 1 | 128300-59910 | VALVE ASSY, OVERFLOW | 1 | | | | | | | |
| 15 | 2 | 127610-39350 | RETAINER, SPRING | 1 | | | | | | | |
| 17 | 2 | 128300-59930 | VALVE | 1 | | | | | | | |
| 18 | 2 | 124070-66580 | SPRING, CONTROLLER | 1 | | | | | | | |
| 19 | 2 | 23414-100000 | GASKET, 10X1.0 | 1 | | | | | | | |
| 20 | 1 | 23414-080012 | GASKET, 8X1.0 | 10 | | | | | | | |
| 21 | 1 | 23414-140018 | GASKET, 14X1.0 | 2 | | | | | | | |
| 21-1 | 1 | 43400-500470 | SEAL WASHER 14S | 2 | | | | | | | N |
| (A=E01648) | | | | | | | | | | | |
| 22 | 1 | 23414-140018 | GASKET, 14X1.0 | 2 | | | | | | | |
| 22-1 | 1 | 43400-500470 | SEAL WASHER 14S | 2 | | | | | | | N |
| (A=E01648) | | | | | | | | | | | |
| 23 | 1 | 23851-030000 | JOINT BOLT 3 | 5 | | | | | | | |
| 24 | 1 | 43551-001451 | UNION 8(M) | 1 | | | | | | | |

Fig.22. REGURATOR

(A)=4T112TL-GN

(B)=

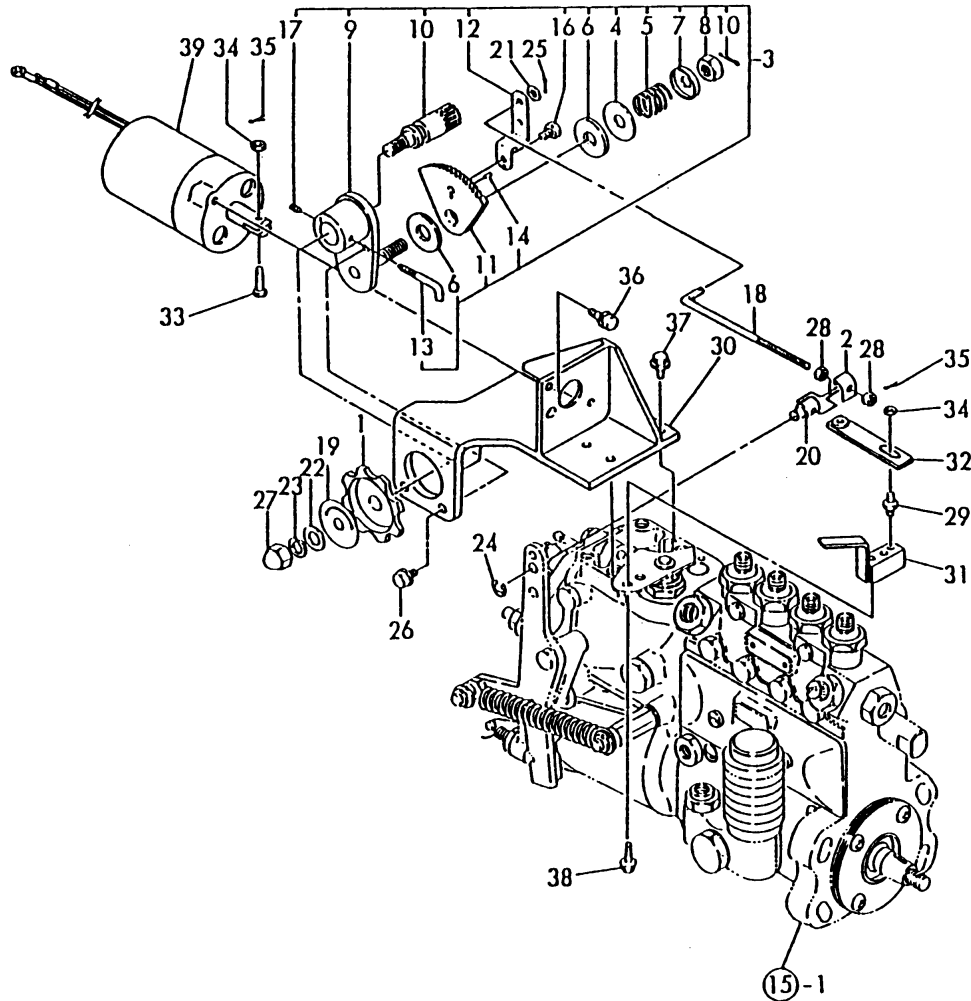
(C)=

(D)=

(E)=

(F)=

023561-66100
023561-67100



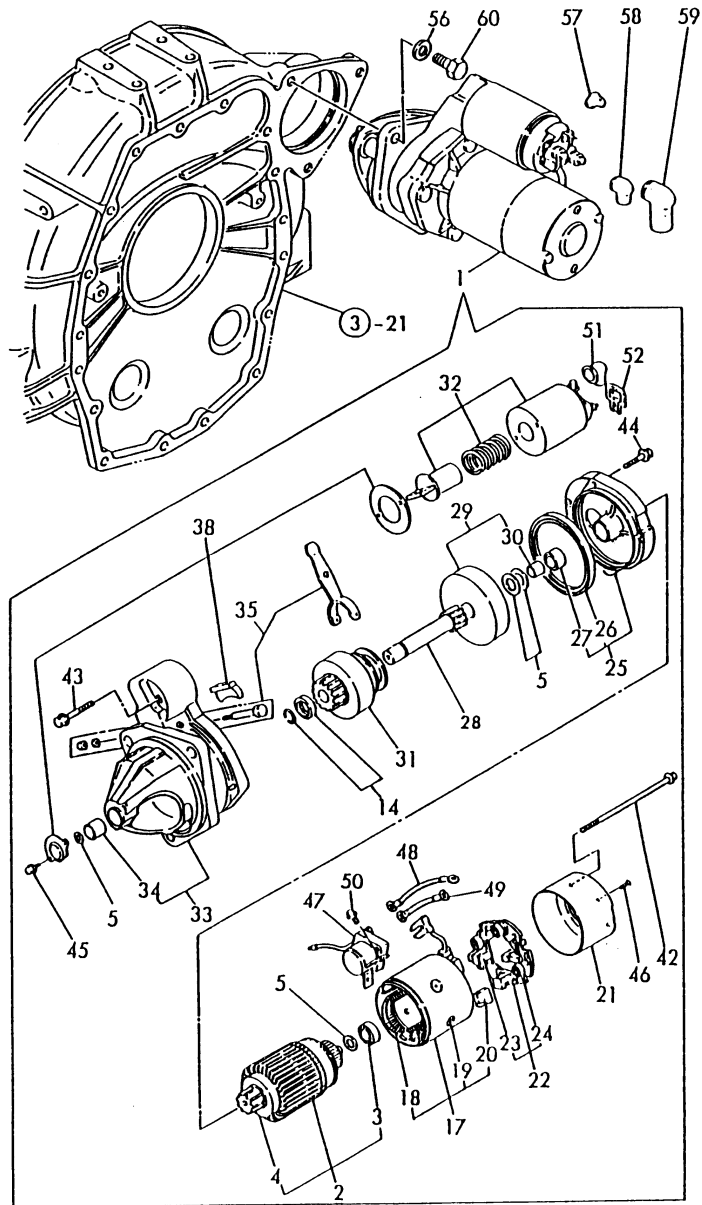
| No. | Lev. | Parts No. | Description | Q'ty | | | | | | I | R |
|------|------|--------------|----------------------|------|-----|-----|-----|-----|-----|---|---|
| | | | | (A) | (B) | (C) | (D) | (E) | (F) | | |
| 1 | 1 | 126650-66020 | HANDLE, REGULATOR | 1 | | | | | | | |
| 2 | 1 | 121400-66170 | WASHER | 1 | | | | | | | |
| 3 | 1 | 171048-67010 | CONTROLLER ASSY | 1 | | | | | | | |
| 4 | 2 | 171102-66080 | WASHER | 1 | | | | | | | |
| 5 | 2 | 104200-66820 | SPRING | 1 | | | | | | | |
| 6 | 2 | 104200-66830 | PLATE, FRICTION | 2 | | | | | | | |
| 7 | 2 | 104200-66850 | WASHER | 1 | | | | | | | |
| 8 | 2 | 104200-66860 | NUT | 1 | | | | | | | |
| 9 | 2 | 171085-67100 | BRACKET | 1 | | | | | | | |
| 10 | 2 | 171085-67110 | SHAFT, DRIVE | 1 | | | | | | | |
| 11 | 2 | 171085-67120 | GEAR | 1 | | | | | | | |
| 12 | 2 | 171048-67130 | LEVER | 1 | | | | | | | |
| 13 | 2 | 171048-67140 | STOPPER | 1 | | | | | | | |
| 14 | 2 | 22351-020006 | PIN, SPRING 2.0X 6 | 1 | | | | | | | |
| 15 | 2 | 22411-200150 | COTTER PIN | 1 | | | | | | | |
| 16 | 2 | 26116-060082 | BOLT, M6X 8 PLATED | 1 | | | | | | | |
| 17 | 2 | 26921-050122 | SCREW, M5X12 | 1 | | | | | | | |
| 18 | 1 | 123561-67200 | ROD | 1 | | | | | | | |
| 19 | 1 | 170064-67210 | LABEL, HANDLE | 1 | | | | | | | |
| 20 | 1 | 171085-67210 | PIVOT | 1 | | | | | | | |
| 21 | 1 | 22117-050000 | WASHER, 5 | 1 | | | | | | | |
| 22 | 1 | 22117-100000 | WASHER, 10 | 1 | | | | | | | |
| 23 | 1 | 22217-100000 | WASHER, SPRING 10 | 1 | | | | | | | |
| 24 | 1 | 22272-000070 | RING, E- 7 | 1 | | | | | | | |
| 25 | 1 | 22417-200120 | COTTER PIN 2.0X12 | 1 | | | | | | | |
| 26 | 1 | 26106-060102 | BOLT, M6X 10 PLATED | 2 | | | | | | | |
| 27 | 1 | 26657-100002 | NUT, CAP M10 | 1 | | | | | | | |
| 28 | 1 | 26757-050002 | NUT, LOCK M5 | 2 | | | | | | | |
| 29 | 1 | 120220-66250 | PIN | 1 | | | | | | | |
| 30 | 1 | 123561-66450 | BRACKET | 1 | | | | | | | |
| 31 | 1 | 124610-66460 | LEVER, STOP | 1 | | | | | | | |
| 32 | 1 | 124610-66470 | LEVER | 1 | | | | | | | |
| 33 | 1 | 124790-66950 | PIN | 1 | | | | | | | |
| 34 | 1 | 22111-050000 | WASHER | 2 | | | | | | | |
| 35 | 1 | 22360-050000 | SNAP PIN 5 | 2 | | | | | | | |
| 36 | 1 | 26013-060149 | BOLT, M6X 14 | 2 | | | | | | | |
| 37 | 1 | 26106-060142 | BOLT, M6X 14 PLATED | 4 | | | | | | | |
| 38 | 1 | 26106-060162 | BOLT, M6X 16 PLATED | 2 | | | | | | | |
| 39 | 1 | 46116-800050 | SOLENOID VALVE,DC24V | 1 | | | | | | | |
| 39-1 | 1 | 46116-800040 | SOLENOID VALVE | 1 | | | | | | | N |

(A=E XXX)

(A)=4T112TL-GN
 (B)=
 (C)=

(D)=
 (E)=
 (F)=

D23550-77100



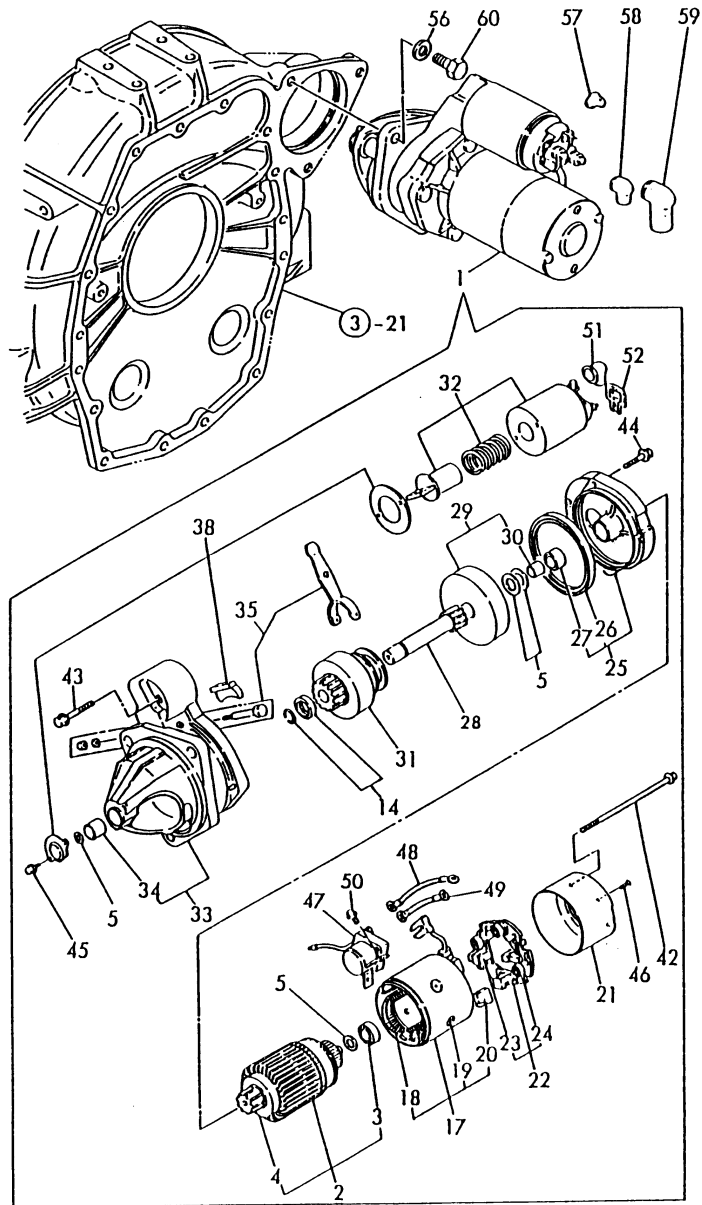
| No. | Lev. | Parts No. | Description | Q'ty | | | | | | I | R |
|----------|------|--------------|----------------------|------|-----|-----|-----|-----|-----|---|-----|
| | | | | (A) | (B) | (C) | (D) | (E) | (F) | | |
| 1 | 1 | 124617-77010 | STARTER, 24V-4KW | 1 | | | | | | | |
| 1-1 | 1 | 123500-77010 | STARTER, S13 -86 | 1 | | | | | | | S 1 |
| (A=EXXX) | | | | | | | | | | | |
| 2 | 2 | 119129-77400 | ARMATURE ASSY | 1 | | | | | | | |
| 2-1 | 2 | X213011001 | ARMATURE ASSY | 1 | | | | | | | S |
| (A=EXXX) | | | | | | | | | | | |
| 3 | 3 | 121254-77410 | BALL BEARING | 1 | | | | | | | |
| 3-1 | 3 | X21302302 | BALL BEARING | 1 | | | | | | | S |
| (A=EXXX) | | | | | | | | | | | |
| 4 | 3 | 121254-77420 | BALL BEARING | 1 | | | | | | | |
| 4-1 | 3 | X21303302 | BALL BEARING | 1 | | | | | | | S |
| (A=EXXX) | | | | | | | | | | | |
| 5 | 2 | 121254-77430 | WASHER KIT, THRUST | 1 | | | | | | | |
| 5-1 | 2 | X21302115 | WASHER KIT, THRUST | 1 | | | | | | | S |
| (A=EXXX) | | | | | | | | | | | |
| 14 | 2 | 119129-77670 | STOPPER SET, PINION | 1 | | | | | | | |
| 14-1 | 2 | X21303119 | STOPPER SET, PINION | 1 | | | | | | | S |
| (A=EXXX) | | | | | | | | | | | |
| 17 | 2 | 121254-77510 | YORK ASSY | 1 | | | | | | | |
| 17-1 | 2 | X213062101 | COIL ASSY, FIELD | 1 | | | | | | | S |
| (A=EXXX) | | | | | | | | | | | |
| 18 | 3 | 119129-77440 | COIL ASSY, FIELD | 1 | | | | | | | Z |
| (A=EXXX) | | | | | | | | | | | |
| 19 | 3 | 119129-77450 | SCREW | 4 | | | | | | | Z |
| (A=EXXX) | | | | | | | | | | | |
| 20 | 3 | 119129-77460 | BRUSH(+) | 2 | | | | | | | |
| 20-1 | 3 | X213033111 | BRUSH (+) | 2 | | | | | | | S |
| (A=EXXX) | | | | | | | | | | | |
| 21 | 2 | 119129-77530 | COVER, REAR | 1 | | | | | | | |
| 21-1 | 2 | X225013012 | COVER, REAR | 1 | | | | | | | S |
| (A=EXXX) | | | | | | | | | | | |
| 22 | 2 | 119129-77470 | HOLDER ASSY, BRUSH | 1 | | | | | | | |
| 22-1 | 2 | X213033021 | HOLDER ASSY, BRUSH | 1 | | | | | | | S |
| (A=EXXX) | | | | | | | | | | | |
| 23 | 3 | 119129-77480 | BRUSH(-) | 2 | | | | | | | |
| 23-1 | 3 | X213033111 | BRUSH (+) | 2 | | | | | | | S |
| (A=EXXX) | | | | | | | | | | | |
| 24 | 3 | 121254-77590 | SPRING | 4 | | | | | | | |
| 24-1 | 3 | X21305313 | SPRING, BRUSH | 4 | | | | | | | S |
| (A=EXXX) | | | | | | | | | | | |
| 25 | 2 | 121254-77600 | BEARING ASSY, CENTER | 1 | | | | | | | |
| 25-1 | 2 | X225054001 | BEARING ASSY, CENTER | 1 | | | | | | | S |
| (A=EXXX) | | | | | | | | | | | |
| 26 | 3 | 121254-77610 | SEAL, OIL | 1 | | | | | | | |
| 26-1 | 3 | X21301402 | SEAL, OIL | 1 | | | | | | | S |
| (A=EXXX) | | | | | | | | | | | |
| 27 | 3 | 121254-77620 | BEARING, NEEDLE | 1 | | | | | | | Z |
| (A=EXXX) | | | | | | | | | | | |
| 28 | 2 | 119129-77610 | SHAFT ASSY, GEAR | 1 | | | | | | | |
| 28-1 | 2 | X22501113 | SHAFT ASSY, GEAR | 1 | | | | | | | S |
| (A=EXXX) | | | | | | | | | | | |

Remarks
 (1) Ref.No.1-1 12V SPEC.

(A)=4T112TL-GN
 (B)=
 (C)=

(D)=
 (E)=
 (F)=

D23550-77100



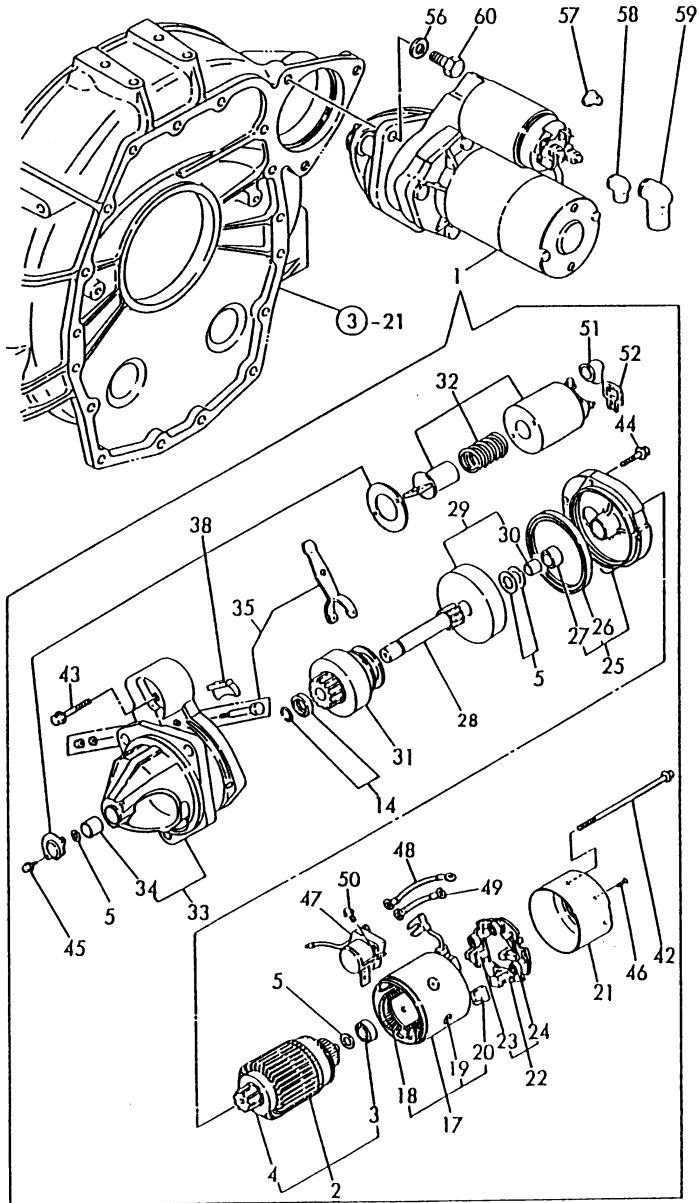
| No. | Lev. | Parts No. | Description | Q'ty | | | | | | I | R |
|------|------|--------------------------|----------------------|------|-----|-----|-----|-----|-----|---|---|
| | | | | (A) | (B) | (C) | (D) | (E) | (F) | | |
| 29 | 2 | 121254-77610 (A=EXXX) | SEAL, OIL | 1 | | | | | | | Z |
| 30 | 3 | 121254-77650 (A=EXXX) | INNER | 1 | | | | | | | Z |
| 31 | 2 | 119129-77630 (A=EXXX) | PINION ASSY | 1 | | | | | | | |
| 31-1 | 2 | X213095002 (A=EXXX) | PINION ASSY | 1 | | | | | | | S |
| 32 | 2 | 119129-77640 (A=EXXX) | SWITCH ASSY,MAGNETIC | 1 | | | | | | | |
| 32-1 | 2 | X213067004 (A=EXXX) | SWITCH ASSY, MAGNET. | 1 | | | | | | | S |
| 33 | 2 | 119129-77650 (A=EXXX) | CASE ASSY, GEAR | 1 | | | | | | | |
| 33-1 | 2 | X213016005 (A=EXXX) | CASE ASSY, GEAR | 1 | | | | | | | S |
| 34 | 3 | 119129-77660 (A=EXXX) | BEARING, METAL | 1 | | | | | | | |
| 34-1 | 3 | X22503601 (A=EXXX) | BEARING | 1 | | | | | | | S |
| 35 | 2 | 121254-77700 (A=EXXX) | LEVER SET, SHIFT | 1 | | | | | | | |
| 35-1 | 2 | X21302605 (A=EXXX) | LEVER SET | 1 | | | | | | | S |
| 38 | 2 | 121254-77730 (A=EXXX) | DUST COVER SET | 1 | | | | | | | |
| 38-1 | 2 | X21309610 (A=EXXX) | COVER SET, DUST | 1 | | | | | | | S |
| 42 | 2 | 121254-77770 (A=EXXX) | BOLT, THROUGH | 2 | | | | | | | |
| 42-1 | 2 | X21305820 (A=EXXX) | BOLT, THROUGH | 2 | | | | | | | S |
| 43 | 2 | 26106-060452 (A=EXXX) | BOLT, M6X 45 PLATED | 2 | | | | | | | Z |
| 44 | 2 | 26106-060302 (A=EXXX) | BOLT, M6X 30 PLATED | 3 | | | | | | | Z |
| 45 | 2 | 121254-77780 (A=EXXX) | SCREW 5 | 2 | | | | | | | Z |
| 46 | 2 | 26557-040122 (A=EXXX) | SCREW, M4X12 | 2 | | | | | | | Z |
| 47 | 2 | 119129-77700 (A=EXXX) | RELAY, STARTER | 1 | | | | | | | Z |
| 48 | 2 | 119129-77710 (A=EXXX) | WIRE-HARNESS | 1 | | | | | | | Z |
| 49 | 2 | 119129-77720 (A=EXXX) | WIRE-HARNESS | 1 | | | | | | | Z |
| 50 | 2 | 26116-050082 (A=EXXX) | BOLT, M5X 8 PLATED | 2 | | | | | | | Z |
| 51 | 2 | 119129-77740 (A=EXXX) | COVER, TERMINAL | 3 | | | | | | | Z |
| 52 | 2 | 121254-77810 (A=EXXX) | COVER, TERMINAL | 1 | | | | | | | Z |
| 53 | 3 | 121254-77530 (A=EXXX) | SCREW, POLE CORE | 4 | | | | | | | Z |
| 54 | 3 | 121254-77650 (A=EXXX) | INNER | 1 | | | | | | | Z |
| 55 | 1 | 119129-77000 (A=EXXX) | COVER | 1 | | | | | | | Z |

Remarks
 (1) Ref.No.1-1 12V SPEC.

(A)=4T112TL-GN
 (B)=
 (C)=

(D)=
 (E)=
 (F)=

D23550-77100

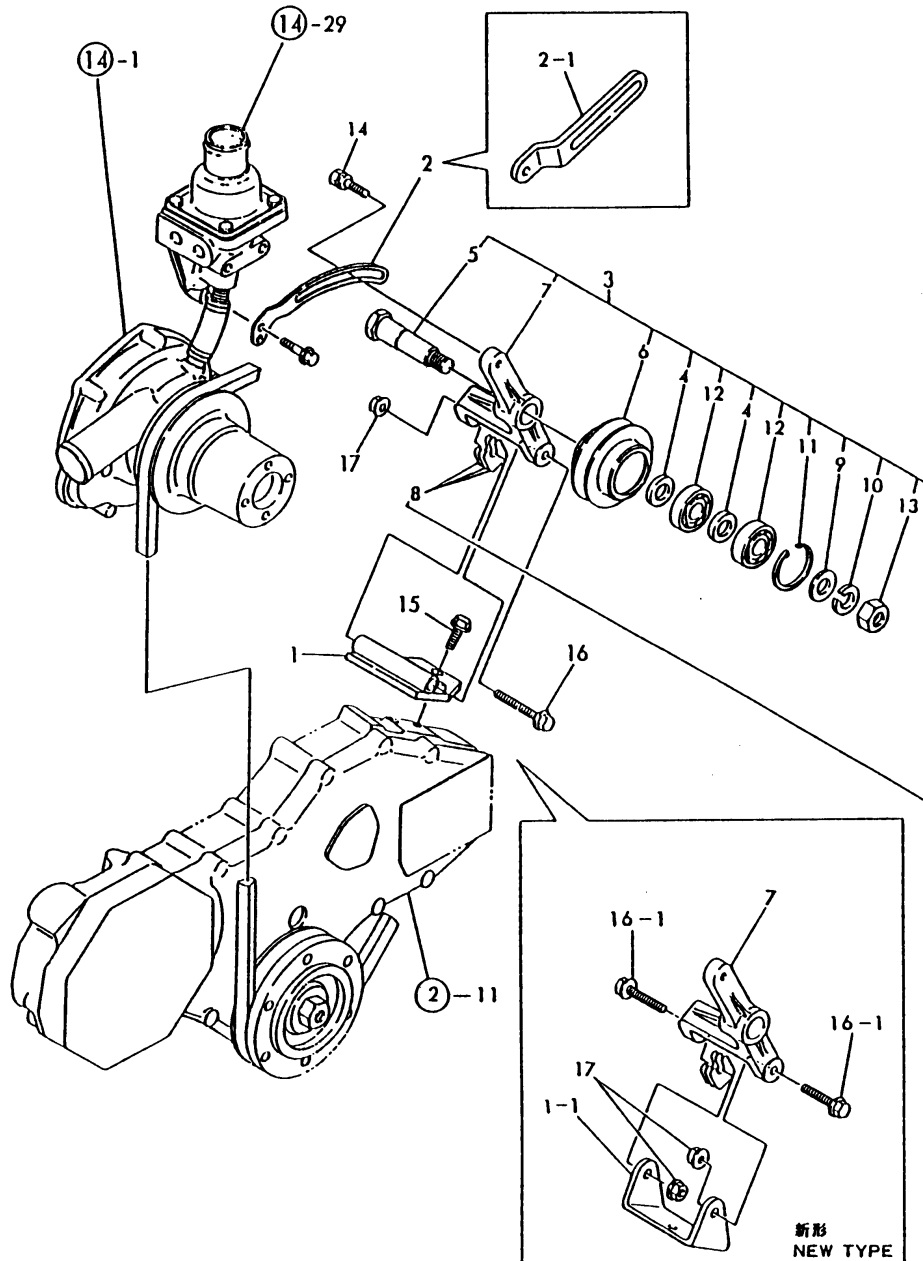


| No. | Lev. | Parts No. | Description | Q'ty | | | | | | I | R |
|-----|------|--------------|----------------------|------|-----|-----|-----|-----|-----|---|---|
| | | | | (A) | (B) | (C) | (D) | (E) | (F) | | |
| 56 | 1 | 22117-080000 | WASHER, 8 | 2 | | | | | | | Z |
| | | (A=EXXX) | | | | | | | | | |
| 57 | 1 | 124550-77020 | COVER, TERMINAL | 1 | | | | | | | |
| 58 | 1 | 124550-77030 | COVER, TERMINAL | 1 | | | | | | | |
| 59 | 1 | 124756-77040 | COVER, TERMINAL | 1 | | | | | | | |
| 60 | 1 | 26116-120252 | BOLT, M12X 25 PLATED | 3 | | | | | | | |

Remarks
 (1) Ref.No.1-1 12V SPEC.

Fig.24. TENTION PULLEY

023561-77400



(A)=4T112TL-GN
(B)=
(C)=

(D)=
(E)=
(F)=

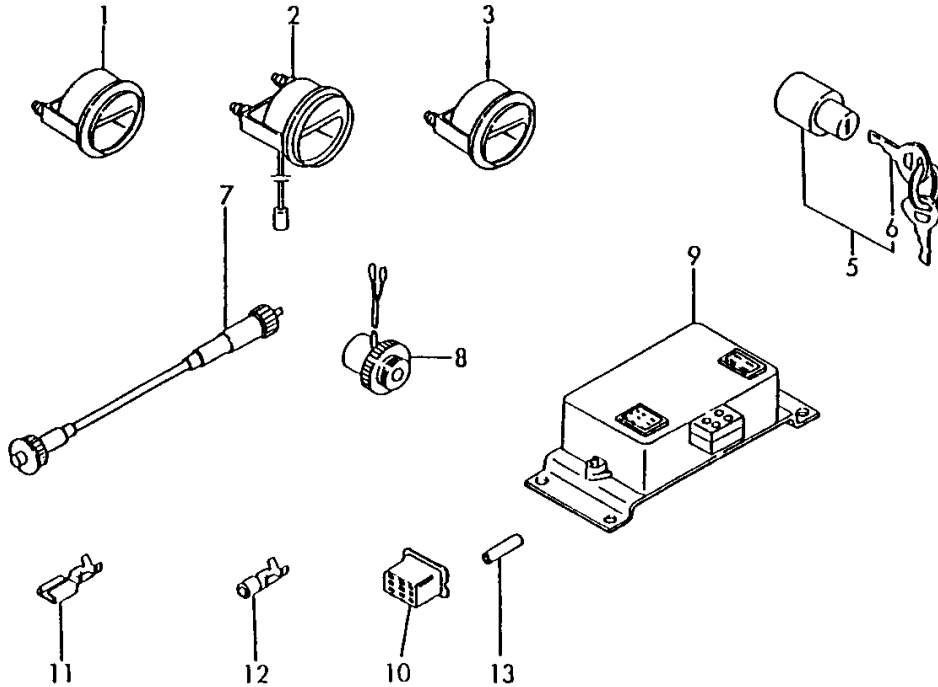
| No. | Lev. | Parts No. | Description | Q'ty | | | | | | I | R |
|----------|------|--------------|----------------------|------|-----|-----|-----|-----|-----|---|---|
| | | | | (A) | (B) | (C) | (D) | (E) | (F) | | |
| 1 | 1 | 170066-77410 | SUPPORT | 1 | | | | | | | |
| 1-1 | 1 | 123550-77260 | SUPPORT | 1 | | | | | | | N |
| (A=EXXX) | | | | | | | | | | | |
| 2 | 1 | 121850-77330 | ADJUSTER | 1 | | | | | | | |
| 2-1 | 1 | 123500-77330 | ADJUSTER | 1 | | | | | | | N |
| (A=EXXX) | | | | | | | | | | | |
| 3 | 1 | 124610-77400 | PULLEY ASSY, TENSION | 1 | | | | | | | |
| 4 | 2 | 145640-43740 | SPACER, D30 20.5 T6 | 2 | | | | | | | |
| 5 | 2 | 127450-77290 | SHAFT, PULLEY | 1 | | | | | | | |
| 6 | 2 | 124610-77360 | PULLEY, TENSION | 1 | | | | | | | |
| 7 | 2 | 124610-77370 | BRACKET, PULLEY | 1 | | | | | | | |
| 8 | 2 | 124610-77380 | SHIM | 3 | | | | | | | |
| 9 | 2 | 22137-160000 | WASHER, 16 | 1 | | | | | | | |
| 10 | 2 | 22217-160000 | WASHER, SPRING 16 | 1 | | | | | | | |
| 11 | 2 | 22252-000470 | RING, 47 | 1 | | | | | | | |
| 12 | 2 | 24102-062044 | BEARING, BALL 6204U | 2 | | | | | | | |
| 13 | 2 | 26776-160002 | NUT, LOCK M16 | 1 | | | | | | | |
| 14 | 1 | 26014-080252 | BOLT, M8X 25 | 1 | | | | | | | |
| 15 | 1 | 26106-080202 | BOLT, M8X 20 PLATED | 2 | | | | | | | |
| 16 | 1 | 26106-081202 | BOLT, M8X120 PLATED | 1 | | | | | | | |
| 16-1 | 1 | 26106-080302 | BOLT, M8X 30 PLATED | 2 | | | | | | | S |
| (A=EXXX) | | | | | | | | | | | |
| 17 | 1 | 26366-080002 | NUT, M8 | 2 | | | | | | | |

Fig.25. ELECTRIC PART

(A)=4T112TL-GN
(B)=
(C)=

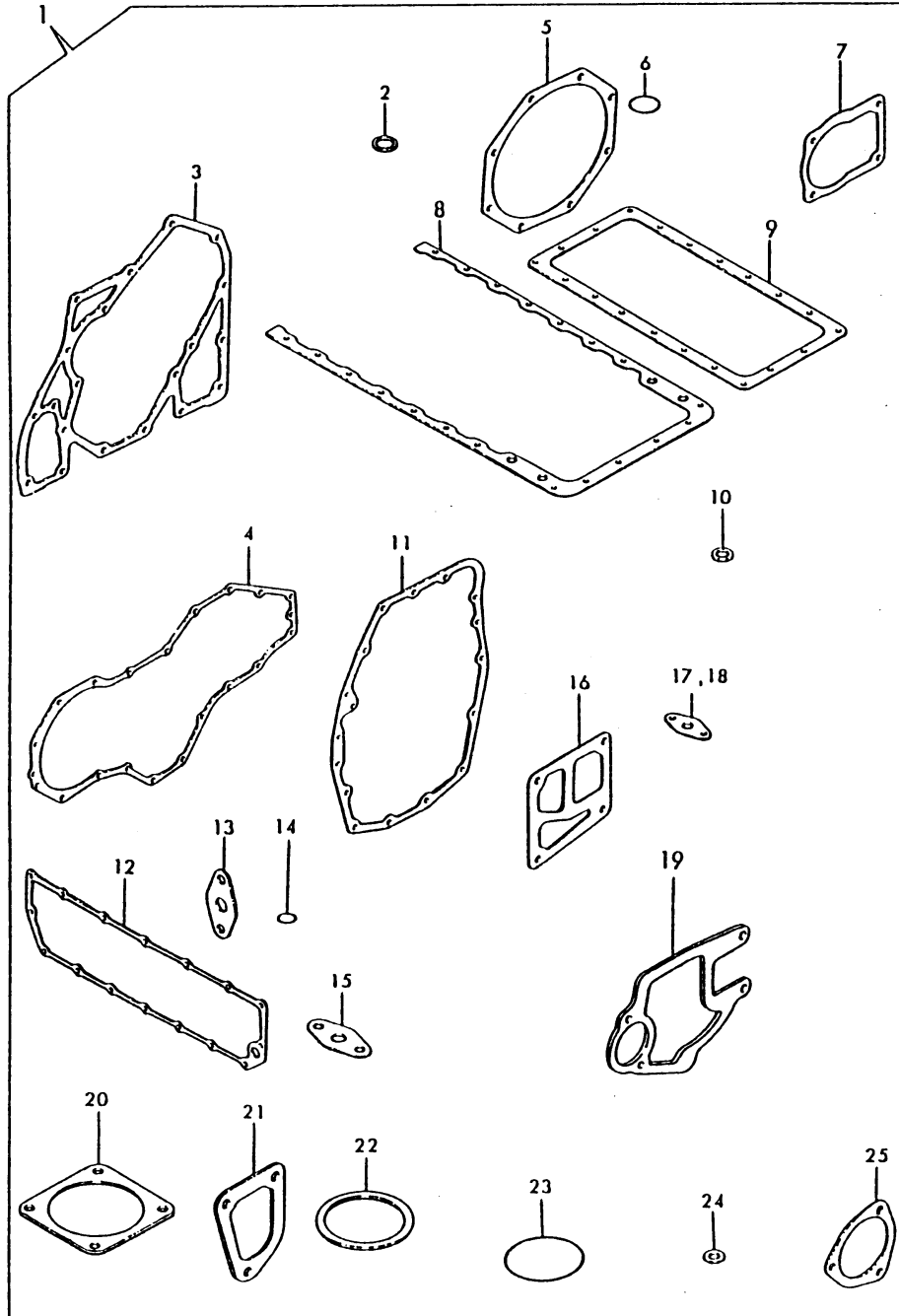
(D)=
(E)=
(F)=

023661-93100



| No. | Lev. | Parts No. | Description | Q'ty | | | | | | I | R |
|-----|------|--------------|---------------------|------|-----|-----|-----|-----|-----|---|---|
| | | | | (A) | (B) | (C) | (D) | (E) | (F) | | |
| 1 | 1 | 46150-502340 | THERMOMETER, WATER | 2 | | | | | | | |
| 1-1 | 1 | 171010-77850 | THERMOSTAT | 2 | | | | | | | N |
| | | (A=EXXX) | | | | | | | | | |
| 2 | 1 | 46150-508060 | GAUGE | 1 | | | | | | | |
| 2-1 | 1 | 171090-91010 | GAUGE | 1 | | | | | | | N |
| | | (A=EXXX) | | | | | | | | | |
| 3 | 1 | 46150-502330 | THERMOMETER, L. OIL | 1 | | | | | | | Z |
| | | (A=EXXX) | | | | | | | | | |
| 5 | 1 | 121400-91251 | SWITCH, STARTER | 1 | | | | | | | |
| 6 | 2 | 121400-91270 | KEY | 2 | | | | | | | |
| 7 | 1 | 41690-501520 | CABLE, TACHOMETER | 1 | | | | | | | |
| 7-1 | 1 | 124737-91420 | CABLE, TACHOMETER | 1 | | | | | | | N |
| | | (A=EXXX) | | | | | | | | | |
| 8 | 1 | 46111-800300 | TRANSMITTER | 1 | | | | | | | Z |
| | | (A=EXXX) | | | | | | | | | |
| 9 | 1 | 46120-800510 | RELAY, SPEED | 1 | | | | | | | Z |
| | | (A=EXXX) | | | | | | | | | |
| 10 | 1 | 46150-803610 | COUPLER | 1 | | | | | | | Z |
| | | (A=EXXX) | | | | | | | | | |
| 11 | 1 | 46150-803620 | TERMINAL | 8 | | | | | | | Z |
| | | (A=EXXX) | | | | | | | | | |
| 12 | 1 | 46150-803670 | TERMINAL | 2 | | | | | | | Z |
| | | (A=EXXX) | | | | | | | | | |
| 13 | 1 | 46150-803680 | SLEEVE | 2 | | | | | | | Z |
| | | (A=EXXX) | | | | | | | | | |

Fig.26. GASKET SET(CYLINDER BLOCK)



(A)=4T112TL-GN

(B)=

(C)=

(D)=

(E)=

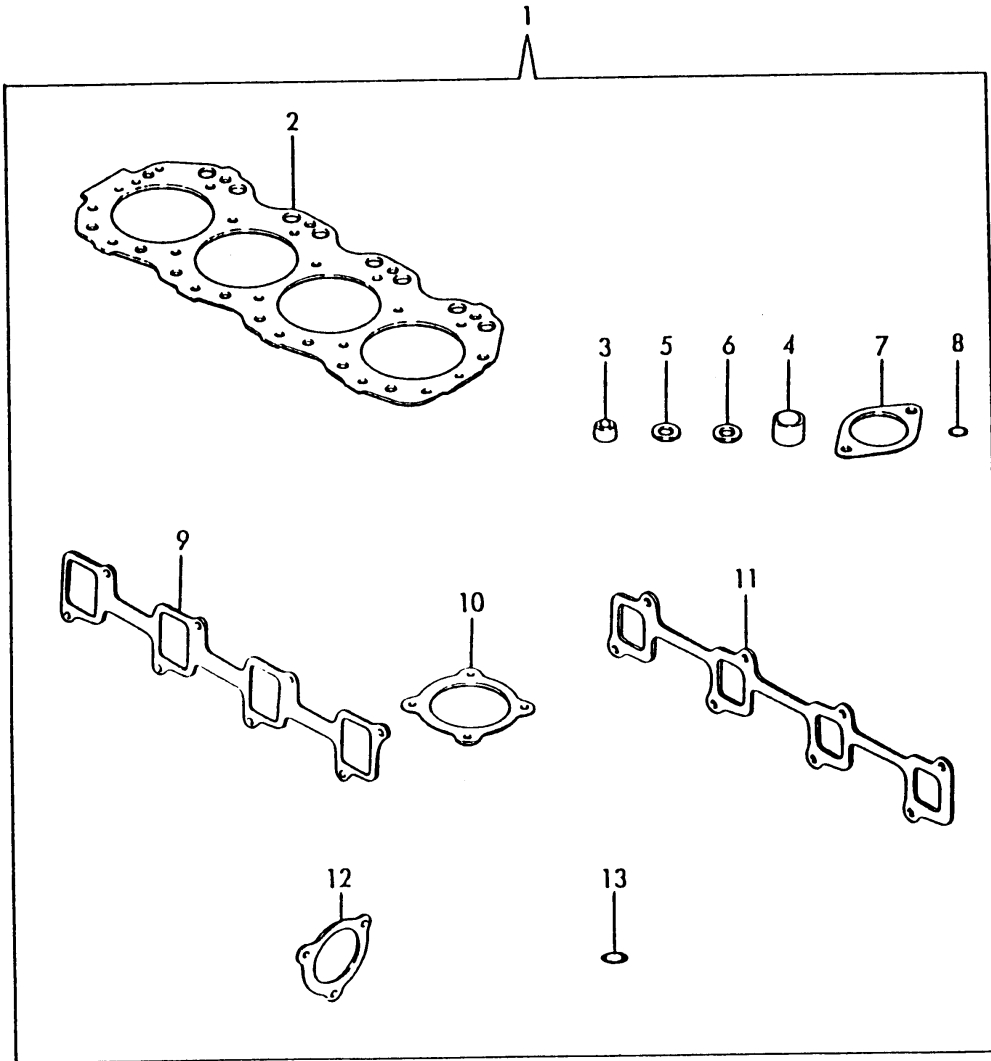
(F)=

| No. | Lev. | Parts No. | Description | Q'ty | | | | | | I | R |
|--------------|------|--------------|--------------------|------|-----|-----|-----|-----|-----|---|---|
| | | | | (A) | (B) | (C) | (D) | (E) | (F) | | |
| 1 | 1 | 723562-92620 | GASKET SET, BLOCK | 1 | | | | | | | |
| 2 | 2 | 123372-11760 | GASKET | 3 | | | | | | | |
| 3 | 2 | 123500-01510 | GASKET, GEAR CASE | 1 | | | | | | | |
| 4 | 2 | 123500-01530 | GASKET, GEAR CASE | 1 | | | | | | | |
| 5 | 2 | 123500-01560 | GASKET | 1 | | | | | | | |
| 6 | 2 | 24321-000350 | O-RING, 1AG35.0 | 2 | | | | | | | |
| 7 | 2 | 124610-01861 | GASKET | 2 | | | | | | | |
| 7-1 | 2 | 124610-01862 | GASKET | 2 | | | | | | | N |
| (A=E01447) | | | | | | | | | | | |
| 8 | 2 | 123500-01710 | GASKET, OIL SUMP | 1 | | | | | | | |
| 9 | 2 | 123500-01731 | GASKET, OIL SUMP | 1 | | | | | | | |
| 10 | 2 | 43400-500490 | SEAL WASHER 16S | 2 | | | | | | | |
| 10-1 | 2 | 43400-500490 | SEAL WASHER 16S | 1 | | | | | | | K |
| (A=*1990.12) | | | | | | | | | | | |
| 11 | 2 | 123550-01810 | GASKET | 1 | | | | | | | |
| 12 | 2 | 123500-01410 | GASKET | 1 | | | | | | | |
| 13 | 2 | 123672-33070 | GASKET | 2 | | | | | | | |
| 14 | 2 | 24311-000200 | O-RING, 1AP20.0 | 1 | | | | | | | |
| 15 | 2 | 127610-35040 | GASKET, PUMP | 1 | | | | | | | |
| 16 | 2 | 123500-35120 | GASKET | 1 | | | | | | | |
| 17 | 2 | 127410-39040 | GASKET | 1 | | | | | | | |
| 18 | 2 | 123500-39130 | GASKET | 2 | | | | | | | |
| 19 | 2 | 123550-42021 | GASKET | 1 | | | | | | | |
| 20 | 2 | 124610-49290 | GASKET | 1 | | | | | | | |
| 21 | 2 | 123550-49520 | GASKET, THERMOSTAT | 1 | | | | | | | |
| 22 | 2 | 123500-49550 | GASKET | 1 | | | | | | | |
| 23 | 2 | 124410-51960 | O-RING | 1 | | | | | | | |
| 24 | 2 | 43400-500470 | SEAL WASHER 14S | 3 | | | | | | | |
| 25 | 2 | 124250-91412 | GASKET | 1 | | | | | | | |

Fig.27. GASKET SET(CYLINDER HEAD)

(A)=4T112TL-GN
(B)=
(C)=

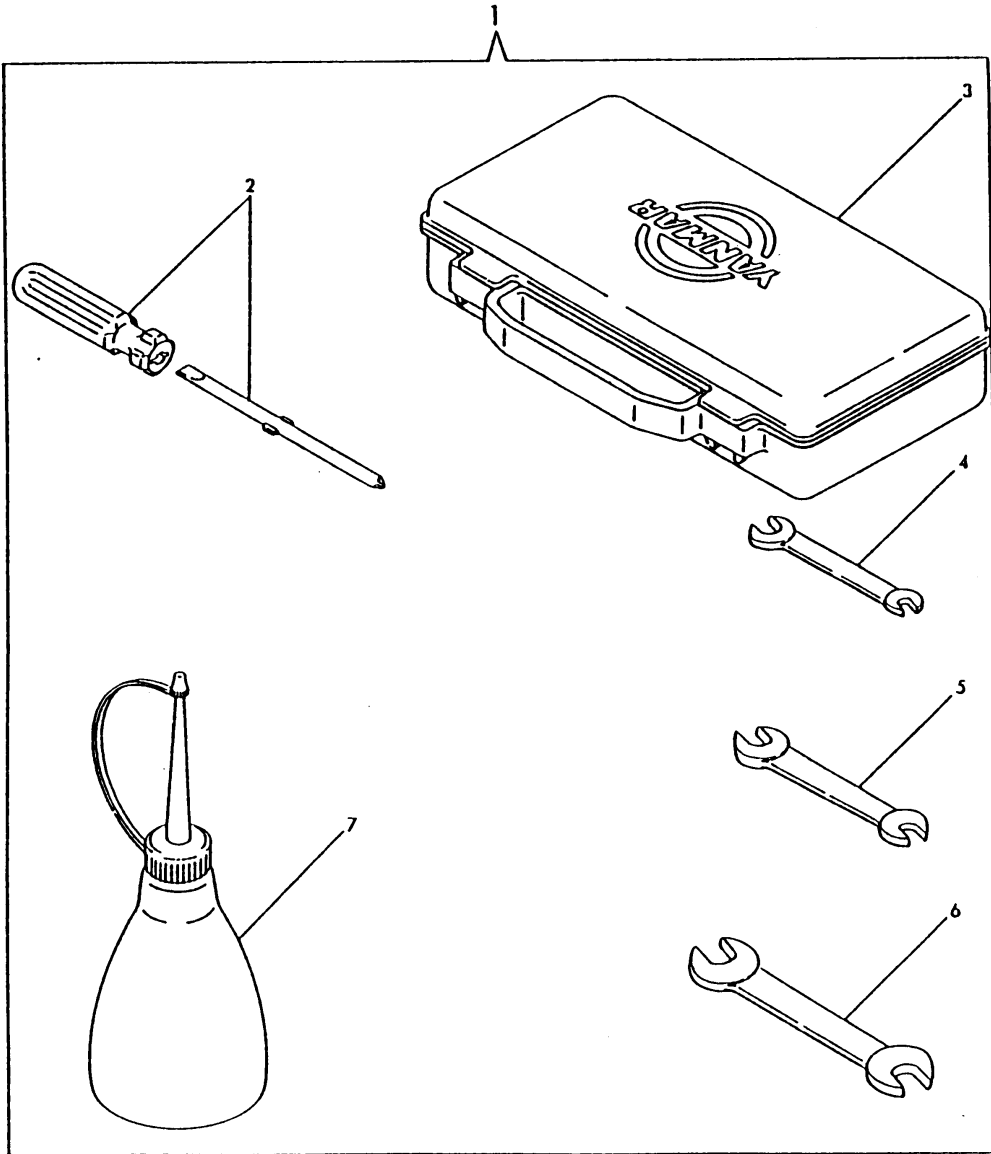
(D)=
(E)=
(F)=



| No. | Lev. | Parts No. | Description | Q'ty | | | | | | I | R |
|-----|------|--------------|------------------|------|-----|-----|-----|-----|-----|---|---|
| | | | | (A) | (B) | (C) | (D) | (E) | (F) | | |
| 1 | 1 | 723661-92630 | GASKET SET, HEAD | 1 | | | | | | | |
| 2 | 2 | 123500-01330 | GASKET, HEAD | 1 | | | | | | | |
| 3 | 2 | 127610-11280 | SEAL, VALVE STEM | 8 | | | | | | | |
| 4 | 2 | 127422-11920 | SEAL | 4 | | | | | | | |
| 5 | 2 | 128610-11900 | INSULATOR | 4 | | | | | | | |
| 6 | 2 | 128610-11910 | GASKET, NOZZLE | 4 | | | | | | | |
| 7 | 2 | 123500-03030 | GASKET | 1 | | | | | | | |
| 8 | 2 | 24311-000120 | O-RING, 1AP12.0 | 4 | | | | | | | |
| 9 | 2 | 123500-12110 | GASKET, MANIFOLD | 1 | | | | | | | |
| 10 | 2 | 124411-12560 | GASKET, SILENCER | 1 | | | | | | | |
| 11 | 2 | 123500-13110 | GASKET | 1 | | | | | | | |
| 12 | 2 | 121252-18190 | GASKET | 1 | | | | | | | |
| 13 | 2 | 24316-000200 | O-RING, 4DP20.0 | 1 | | | | | | | |

Fig.28. TOOLS

023661-93100



(A)=4T112TL-GN
(B)=
(C)=

(D)=
(E)=
(F)=

| No. | Lev. | Parts No. | Description | Q'ty | | | | | | I | R |
|-----|------|--------------|----------------|------|-----|-----|-----|-----|-----|---|---|
| | | | | (A) | (B) | (C) | (D) | (E) | (F) | | |
| 1 | 1 | 171001-93100 | BOX, TOOL | 1 | | | | | | | |
| 2 | 2 | 104200-92350 | DRIVER, SCREW | 1 | | | | | | | |
| 3 | 2 | 104200-92600 | BOX, TOOL | 1 | | | | | | | |
| 4 | 2 | 28110-100120 | SPANNER, 10X12 | 1 | | | | | | | |
| 5 | 2 | 28110-140170 | SPANNER, 14X17 | 1 | | | | | | | |
| 6 | 2 | 28110-190220 | SPANNER, 19X22 | 1 | | | | | | | |
| 7 | 2 | 28210-000140 | OILER | 1 | | | | | | | |

Parts No. Index

| Parts No. | Fig. No. | Ref. No. |
|--------------|----------|----------|
| 103200-53210 | 18 | 14 |
| 104200-66820 | 22 | 5 |
| 104200-66830 | 22 | 6 |
| 104200-66850 | 22 | 7 |
| 104200-66860 | 22 | 8 |
| 104200-92350 | 28 | 2 |
| 104200-92600 | 28 | 3 |
| 104407-44480 | 1 | 35 |
| 105425-01690 | 3 | 6 |
| | | 10 |
| | 14 | 34 |
| 105582-39150 | 13 | 9 |
| 110250-39030 | 20 | 31 |
| 119129-77000 | 23 | 55 |
| 119129-77400 | 23 | 2 |
| 119129-77440 | 23 | 18 |
| 119129-77450 | 23 | 19 |
| 119129-77460 | 23 | 20 |
| 119129-77470 | 23 | 22 |
| 119129-77480 | 23 | 23 |
| 119129-77530 | 23 | 21 |
| 119129-77610 | 23 | 28 |
| 119129-77630 | 23 | 31 |
| 119129-77640 | 23 | 32 |
| 119129-77650 | 23 | 33 |
| 119129-77660 | 23 | 34 |
| 119129-77670 | 23 | 14 |
| 119129-77700 | 23 | 47 |
| 119129-77710 | 23 | 48 |
| 119129-77720 | 23 | 49 |
| 119129-77740 | 23 | 51 |
| 120130-11800 | 4 | 23 |
| 120130-49350 | 1 | 8 |
| 120130-61600 | 16 | 45 |
| 120220-66250 | 22 | 29 |
| 120320-61540 | 16 | 40 |
| 121027-11742 | 2 | 9 |
| 121250-39450 | 13 | 27 |
| 121250-44901 | 14 | 38 |
| 121252-18190 | 8 | 30 |
| | 27 | 12 |
| 121252-39150 | 13 | 10 |
| 121254-77410 | 23 | 3 |
| 121254-77420 | 23 | 4 |
| 121254-77430 | 23 | 5 |
| 121254-77510 | 23 | 17 |
| 121254-77530 | 23 | 53 |
| 121254-77590 | 23 | 24 |
| 121254-77600 | 23 | 25 |
| 121254-77610 | 23 | 26 |

| Parts No. | Fig. No. | Ref. No. |
|--------------|----------|----------|
| 121254-77610 | 23 | 29 |
| 121254-77620 | 23 | 27 |
| 121254-77650 | 23 | 30 |
| | | 54 |
| 121254-77700 | 23 | 35 |
| 121254-77730 | 23 | 38 |
| 121254-77770 | 23 | 42 |
| 121254-77780 | 23 | 45 |
| 121254-77810 | 23 | 52 |
| 121400-66170 | 22 | 2 |
| 121400-91251 | 25 | 5 |
| 121400-91270 | 25 | 6 |
| 121470-44900 | 3 | 19 |
| 121520-34810 | 3 | 9 |
| 121750-91400 | 2 | 35 -1 |
| 121820-52020 | 17 | 2 |
| 121820-52030 | 17 | 3 |
| 121820-52040 | 17 | 4 |
| 121820-52050 | 17 | 5 |
| 121820-52070 | 17 | 6 |
| 121820-52100 | 17 | 7 |
| 121820-52110 | 17 | 8 |
| 121820-52120 | 17 | 9 |
| 121820-52140 | 17 | 11 |
| 121820-52170 | 17 | 13 |
| 121820-52180 | 17 | 14 |
| 121820-52190 | 17 | 15 |
| 121820-52200 | 17 | 16 |
| 121820-52210 | 17 | 17 |
| 121820-52230 | 17 | 18 |
| 121820-52260 | 17 | 20 |
| 121820-52300 | 17 | 21 |
| 121820-52400 | 17 | 23 |
| 121820-52510 | 17 | 24 |
| 121850-01900 | 2 | 3 |
| 121850-32520 | 7 | 14 |
| 121850-32530 | 7 | 15 |
| 121850-35210 | 12 | 8 |
| 121850-35220 | 12 | 9 |
| 121850-35230 | 12 | 10 |
| 121850-35531 | 12 | 13 |
| 121850-51070 | 15 | 7 |
| 121850-51380 | 15 | 30 |
| 121850-51390 | 15 | 31 |
| 121850-51450 | 15 | 33 |
| 121850-51530 | 15 | 40 |
| 121850-51700 | 15 | 57 |
| 121850-61011 | 16 | 2 |
| 121850-61050 | 16 | 3 |
| 121850-61071 | 16 | 5 |

| Parts No. | Fig. No. | Ref. No. |
|--------------|----------|----------|
| 121850-61140 | 16 | 9 |
| 121850-61150 | 16 | 10 |
| 121850-61160 | 16 | 11 |
| 121850-61170 | 16 | 12 |
| 121850-61180 | 16 | 13 |
| 121850-61190 | 16 | 14 |
| 121850-61310 | 16 | 18 |
| 121850-61320 | 16 | 19 |
| 121850-61350 | 16 | 20 |
| 121850-61380 | 16 | 22 |
| 121850-61390 | 16 | 23 |
| 121850-61470 | 16 | 32 |
| | | 33 |
| 121850-61531 | 16 | 39 |
| 121850-61580 | 16 | 43 |
| 121850-61590 | 16 | 44 |
| 121850-61790 | 16 | 52 |
| 121850-61810 | 16 | 53 |
| 121850-61820 | 16 | 54 |
| 121850-61840 | 16 | 56 |
| 121850-77330 | 24 | 2 |
| 121855-61910 | 16 | 33 -1 |
| 121950-51500 | 15 | 37 |
| 121950-51751 | 15 | 62 |
| 121950-51761 | 15 | 63 |
| 121950-51910 | 15 | 71 |
| 121952-39600 | 13 | 33 |
| 121952-39651 | 1 | 43 |
| 121952-51330 | 15 | 26 |
| 121952-51370 | 15 | 29 |
| 121952-51900 | 15 | 69 |
| 122117-51560 | 15 | 43 |
| 122710-11240 | 4 | 43 |
| | | 49 |
| 122710-51050 | 15 | 4 |
| 122710-51160 | 15 | 12 |
| 122710-51170 | 15 | 13 |
| 122710-51180 | 15 | 14 |
| 122710-51270 | 15 | 22 |
| 122710-51350 | 15 | 28 |
| 122710-51510 | 15 | 38 |
| 122710-51520 | 15 | 39 |
| 122710-51540 | 15 | 41 |
| 122710-51571 | 15 | 44 |
| 122710-51580 | 15 | 45 |
| 122710-51590 | 15 | 46 |
| 122710-51701 | 15 | 58 |
| 122710-51721 | 15 | 60 |
| 122710-51790 | 15 | 64 |
| 122710-51870 | 15 | 65 |

| Parts No. | Fig. No. | Ref. No. |
|--------------|----------|----------|
| 122710-51880 | 15 | 66 |
| 122710-51900 | 15 | 70 |
| 122710-51920 | 15 | 74 |
| 122780-59100 | 20 | 1 |
| 123325-35110 | 19 | 15 |
| 123325-35140 | 19 | 13 |
| 123325-52010 | 17 | 1 |
| 123372-11760 | 1 | 6 |
| | 26 | 2 |
| 123472-59120 | 20 | 2 |
| 123482-39660 | 13 | 41 |
| 123500-01100 | 1 | 5 |
| 123500-01330 | 1 | 39 |
| | 27 | 2 |
| 123500-01410 | 11 | 8 |
| | 26 | 12 |
| 123500-01510 | 2 | 10 |
| | 26 | 3 |
| 123500-01520 | 2 | 11 |
| 123500-01530 | 2 | 12 |
| | 26 | 4 |
| 123500-01550 | 2 | 13 |
| 123500-01560 | 2 | 14 |
| | 26 | 5 |
| 123500-01710 | 3 | 16 |
| | 26 | 8 |
| 123500-01731 | 3 | 7 |
| | 26 | 9 |
| 123500-01760 | 3 | 5 |
| 123500-01900 | 2 | 19 |
| 123500-02160 | 1 | 40 |
| | 7 | 4 A |
| 123500-02870 | 1 | 29 |
| 123500-02940 | 1 | 32 |
| 123500-03021 | 4 | 60 |
| 123500-03030 | 4 | 61 |
| | 27 | 7 |
| 123500-03071 | 4 | 69 |
| 123500-11050 | 4 | 4 |
| 123500-11080 | 4 | 5 |
| 123500-11090 | 4 | 6 |
| 123500-11100 | 4 | 14 |
| 123500-11110 | 4 | 15 |
| 123500-11121 | 4 | 16 |
| 123500-11200 | 4 | 39 |
| 123500-11210 | 4 | 45 |
| 123500-11250 | 4 | 50 |
| 123500-11260 | 4 | 51 |
| 123500-11270 | 4 | 52 |
| 123500-11800 | 4 | 35 |

Parts No. Index

| Parts No. | Fig. No. | Ref. No. |
|--------------|----------|----------|
| 123500-11810 | 4 | 34 |
| 123500-12100 | 5 | 1 |
| 123500-12110 | 5 | 2 |
| | 27 | 9 |
| 123500-13110 | 6 | 12 |
| | 27 | 11 |
| 123500-14100 | 7 | 4 |
| 123500-14200 | 7 | 5 |
| 123500-14400 | 7 | 6 |
| 123500-14580 | 7 | 1 -1 |
| 123500-21200 | 9 | 3 |
| 123500-22090 | 9 | 15 |
| 123500-23200 | 9 | 26 |
| 123500-23610 | 9 | 29 |
| 123500-25070 | 7 | 7 |
| 123500-25080 | 7 | 10 |
| 123500-25110 | 7 | 8 |
| 123500-25900 | 15 | 94 |
| 123500-32000 | 10 | 1 |
| 123500-32500 | 7 | 12 |
| 123500-35010 | 10 | 10 |
| 123500-35120 | 12 | 16 |
| | 26 | 16 |
| 123500-39130 | 26 | 18 |
| 123500-39131 | 13 | 6 |
| | | 7 |
| 123500-39300 | 13 | 15 |
| 123500-49550 | 14 | 30 |
| | 26 | 22 |
| 123500-51300 | 15 | 23 |
| 123500-51600 | 15 | 47 |
| 123500-77010 | 23 | 1 -1 |
| 123500-77330 | 24 | 2 -1 |
| 123550-01790 | 3 | 1 A |
| 123550-01810 | 3 | 22 |
| | 26 | 11 |
| 123550-11350 | 4 | 58 |
| 123550-21600 | 9 | 14 |
| 123550-21650 | 9 | 8 |
| 123550-33050 | 11 | 3 |
| 123550-39100 | 13 | 2 |
| 123550-39150 | 10 | 16 |
| 123550-39200 | 13 | 11 |
| 123550-42001 | 14 | 1 |
| 123550-42021 | 14 | 18 |
| | 26 | 19 |
| 123550-49030 | 14 | 36 |
| 123550-49510 | 14 | 27 |
| 123550-49520 | 14 | 28 |
| | 26 | 21 |

| Parts No. | Fig. No. | Ref. No. |
|--------------|----------|----------|
| 123550-49530 | 14 | 29 |
| 123550-55690 | 19 | 7 |
| 123550-59550 | 21 | 9 |
| 123550-77260 | 24 | 1 -1 |
| 123560-01800 | 3 | 21 |
| 123560-21590 | 9 | 12 |
| 123560-42421 | 14 | 22 |
| 123560-44760 | 14 | 42 |
| 123560-44770 | 14 | 21 |
| 123560-49350 | 14 | 43 |
| 123560-49360 | 14 | 44 |
| 123560-51100 | 15 | 9 |
| 123560-61500 | 16 | 36 |
| 123560-61510 | 16 | 37 |
| 123560-61550 | 16 | 42 |
| 123560-61710 | 16 | 49 |
| 123560-61720 | 16 | 98 |
| 123561-59010 | 20 | 8 |
| 123561-59020 | 20 | 13 |
| 123561-59030 | 21 | 1 |
| 123561-59200 | 20 | 17 |
| 123561-66450 | 22 | 30 |
| 123561-67200 | 22 | 18 |
| 123600-12052 | 8 | 31 |
| 123600-12080 | 8 | 32 |
| 123600-12090 | 8 | 33 |
| 123600-12109 | 8 | 34 |
| 123600-33031 | 11 | 2 |
| 123600-35100 | 12 | 1 |
| 123600-39401 | 13 | 18 |
| 123600-39420 | 13 | 21 |
| 123600-39551 | 13 | 28 |
| 123600-53002 | 18 | 2 |
| 123650-18010 | 8 | 1 |
| 123650-18080 | 8 | 29 |
| 123650-59900 | 20 | 3 |
| 123650-59910 | 20 | 4 |
| 123650-59920 | 20 | 5 |
| 123650-59930 | 20 | 6 |
| 123660-18290 | 6 | 5 |
| 123660-18380 | 6 | 6 |
| 123660-44500 | 14 | 41 |
| 123672-01782 | 3 | 20 |
| 123672-21500 | 9 | 7 |
| 123672-21510 | 9 | 11 |
| 123672-21861 | 9 | 9 |
| 123672-33070 | 11 | 4 |
| | 26 | 13 |
| 123672-34040 | 12 | 3 |
| 123672-34070 | 12 | 4 |

| Parts No. | Fig. No. | Ref. No. |
|--------------|----------|----------|
| 123672-34350 | 12 | 5 |
| 123672-35151 | 12 | 17 |
| 123672-55750 | 19 | 6 B |
| 123672-55760 | 19 | 6 C |
| 123672-55811 | 19 | 21 |
| 123678-18320 | 6 | 3 |
| 123678-55720 | 19 | 6 A |
| 123678-55721 | 19 | 2 |
| 123678-55770 | 19 | 6 D |
| 123678-55790 | 19 | 6 E |
| | | 17 |
| 123678-55850 | 19 | 6 F |
| 123678-55860 | 19 | 6 G |
| | | 18 |
| 123678-55870 | 19 | 6 H |
| 123678-55880 | 19 | 4 |
| | | 4 -1 |
| 123678-55890 | 19 | 5 |
| | | 5 -1 |
| 123682-39560 | 13 | 29 |
| 124070-66580 | 21 | 18 |
| 124160-01751 | 2 | 7 |
| | 4 | 65 |
| 124160-11360 | 4 | 67 |
| 124160-39140 | 1 | 42 |
| 124220-51890 | 15 | 67 |
| 124223-35510 | 12 | 11 |
| 124250-91412 | 2 | 36 |
| | 26 | 25 |
| 124323-84920 | 13 | 34 |
| 124410-51031 | 15 | 3 |
| 124410-51050 | 15 | 5 |
| 124410-51061 | 15 | 6 |
| 124410-51081 | 15 | 8 |
| 124410-51200 | 15 | 15 |
| 124410-51250 | 15 | 20 |
| 124410-51341 | 15 | 27 |
| 124410-51400 | 15 | 32 |
| 124410-51550 | 15 | 42 |
| 124410-51600 | 15 | 48 |
| 124410-51730 | 15 | 61 |
| 124410-51890 | 15 | 68 |
| 124410-51910 | 15 | 72 |
| 124410-51940 | 15 | 76 |
| 124410-51960 | 2 | 34 |
| | 15 | 78 |
| | 26 | 23 |
| 124410-51980 | 15 | 79 |
| 124410-51990 | 15 | 80 |
| 124410-61200 | 16 | 15 |

| Parts No. | Fig. No. | Ref. No. |
|--------------|----------|----------|
| 124410-61770 | 16 | 50 |
| 124410-61780 | 16 | 51 |
| 124410-61860 | 16 | 57 |
| 124410-61870 | 16 | 58 |
| 124411-07220 | 4 | 72 |
| 124411-12560 | 5 | 4 |
| | 27 | 10 |
| 124550-77020 | 23 | 57 |
| 124550-77030 | 23 | 58 |
| 124610-01851 | 2 | 15 |
| | | 17 |
| 124610-01861 | 2 | 16 |
| | | 18 |
| | 26 | 7 |
| 124610-01862 | 2 | 16 -1 |
| | | 18 -1 |
| | 26 | 7 -1 |
| 124610-12580 | 5 | 5 |
| 124610-35140 | 12 | 7 |
| 124610-48610 | 14 | 25 |
| 124610-49290 | 14 | 26 |
| | 26 | 20 |
| 124610-51970 | 16 | 1 A |
| 124610-61200 | 16 | 15 -1 |
| 124610-66460 | 22 | 31 |
| 124610-66470 | 22 | 32 |
| 124610-77351 | 14 | 22 -1 |
| 124610-77360 | 24 | 6 |
| 124610-77370 | 24 | 7 |
| 124610-77380 | 24 | 8 |
| 124610-77400 | 24 | 3 |
| 124616-61060 | 16 | 4 |
| 124616-61080 | 16 | 7 |
| 124616-61401 | 16 | 24 |
| 124616-61410 | 16 | 27 |
| 124616-61431 | 16 | 28 |
| 124616-61440 | 16 | 25 |
| 124616-61451 | 16 | 30 |
| 124616-61460 | 16 | 31 |
| 124616-61480 | 16 | 35 |
| 124616-61490 | 16 | 87 |
| 124616-61520 | 16 | 38 |
| 124616-61540 | 16 | 41 |
| 124616-61650 | 16 | 46 |
| 124616-61660 | 16 | 48 |
| 124616-61900 | 16 | 59 |
| 124616-61940 | 16 | 61 |
| 124616-61960 | 16 | 65 |
| 124617-77010 | 23 | 1 |
| 124737-91420 | 25 | 7 -1 |

Parts No. Index

| Parts No. | Fig. No. | Ref. No. |
|--------------|----------|----------|
| 124738-49150 | 1 | 36 |
| 124756-77040 | 23 | 59 |
| 124766-59050 | 1 | 37 |
| 124790-66950 | 22 | 33 |
| 126630-53080 | 18 | 5 |
| 126630-53190 | 18 | 12 |
| 126650-11770 | 4 | 22 |
| 126650-66020 | 22 | 1 |
| 127410-11180 | 4 | 18 |
| 127410-39040 | 13 | 1 |
| | 26 | 17 |
| 127412-18851 | 8 | 40 |
| 127412-18852 | 8 | 40 -1 |
| 127412-18853 | 8 | 40 -2 |
| 127422-11920 | 4 | 32 |
| | 27 | 4 |
| 127450-59680 | 20 | 19 |
| 127450-77290 | 24 | 5 |
| 127610-01210 | 1 | 38 |
| 127610-02070 | 1 | 28 |
| 127610-03050 | 4 | 62 |
| 127610-03060 | 4 | 63 |
| 127610-03270 | 4 | 70 |
| 127610-11170 | 4 | 40 |
| | | 46 |
| 127610-11280 | 4 | 20 |
| | 27 | 3 |
| 127610-11350 | 4 | 21 |
| 127610-21460 | 9 | 6 A |
| | | 10 |
| 127610-35040 | 10 | 15 |
| | 26 | 15 |
| 127610-39350 | 21 | 15 |
| 127610-53330 | 18 | 16 |
| 127610-55820 | 19 | 8 |
| 127616-11230 | 4 | 42 |
| | | 48 |
| 127616-22300 | 9 | 21 |
| 127616-22400 | 9 | 22 |
| 127616-23911 | 9 | 31 |
| 127675-39040 | 13 | 8 |
| 127695-35150 | 12 | 17 -1 |
| 128300-59910 | 21 | 14 |
| 128300-59930 | 21 | 17 |
| 128300-61070 | 16 | 6 |
| 128300-61300 | 16 | 17 |
| 128300-61350 | 16 | 21 |
| 128300-61920 | 16 | 64 |
| 128610-02420 | 1 | 16 |
| 128610-11280 | 4 | 55 |

| Parts No. | Fig. No. | Ref. No. |
|--------------|----------|----------|
| 128610-11900 | 4 | 30 |
| | 27 | 5 |
| 128610-11910 | 4 | 31 |
| | 27 | 6 |
| 128610-11950 | 4 | 9 |
| 129155-61930 | 16 | 60 |
| 129495-59300 | 21 | 8 |
| 129553-32130 | 10 | 2 |
| 129553-32320 | 10 | 3 |
| 129553-32330 | 10 | 4 |
| 129553-32340 | 10 | 5 |
| 129795-11750 | 3 | 23 |
| 129795-35520 | 12 | 12 |
| 129795-61430 | 16 | 29 |
| 129795-61470 | 16 | 34 |
| 135210-61090 | 16 | 8 |
| 135310-34030 | 12 | 2 |
| 144626-02400 | 1 | 15 |
| 144626-11190 | 4 | 19 |
| 144626-51700 | 15 | 59 |
| 144626-51950 | 15 | 77 |
| 144626-53110 | 18 | 7 |
| 144626-53120 | 18 | 10 |
| 144626-53180 | 18 | 11 |
| 144626-53181 | 18 | 11 -1 |
| 144626-53200 | 18 | 13 |
| 144626-53300 | 18 | 15 |
| 144626-53301 | 18 | 15 -1 |
| 144626-91560 | 13 | 40 |
| 144628-59520 | 20 | 18 |
| 145610-11890 | 1 | 7 |
| 145640-43740 | 24 | 4 |
| 148616-61650 | 16 | 47 |
| 170064-67210 | 22 | 19 |
| 170064-91410 | 2 | 39 |
| 170064-91430 | 2 | 40 |
| 170066-77410 | 24 | 1 |
| 171001-93100 | 28 | 1 |
| 171010-77850 | 25 | 1 -1 |
| 171048-67010 | 22 | 3 |
| 171048-67130 | 22 | 12 |
| 171048-67140 | 22 | 13 |
| 171085-67100 | 22 | 9 |
| 171085-67110 | 22 | 10 |
| 171085-67120 | 22 | 11 |
| 171085-67210 | 22 | 20 |
| 171090-18050 | 8 | 39 |
| 171090-59130 | 20 | 16 |
| 171090-59140 | 20 | 32 |
| 171090-91010 | 25 | 2 -1 |

| Parts No. | Fig. No. | Ref. No. |
|--------------|----------|----------|
| 171102-66080 | 22 | 4 |
| 171375-44900 | 4 | 36 |
| 171375-44910 | 14 | 39 |
| 171420-34820 | 3 | 18 |
| 174307-51250 | 15 | 21 |
| 180110-51910 | 15 | 73 |
| 194440-51620 | 2 | 20 |
| 22111-050000 | 22 | 34 |
| 22117-050000 | 16 | 66 |
| | 22 | 21 |
| 22117-080000 | 23 | 56 |
| 22117-100000 | 11 | 5 |
| | 16 | 67 |
| | 22 | 22 |
| 22117-140000 | 3 | 17 |
| | 15 | 95 |
| 22137-100000 | 2 | 4 |
| 22137-160000 | 24 | 9 |
| 22212-100000 | 11 | 6 |
| 22217-060000 | 15 | 81 |
| | | 82 |
| 22217-080000 | 14 | 45 |
| 22217-100000 | 22 | 23 |
| 22217-160000 | 24 | 10 |
| 22242-000110 | 15 | 83 |
| 22242-000200 | 4 | 56 |
| 22252-000470 | 24 | 11 |
| 22272-000040 | 16 | 69 |
| | | 70 |
| | | 71 |
| 22272-000070 | 16 | 72 |
| | 22 | 24 |
| 22287-060000 | 15 | 84 |
| 22312-030080 | 1 | 17 |
| 22312-080100 | 9 | 4 |
| 22312-080160 | 1 | 9 |
| | 2 | 21 |
| 22322-030250 | 16 | 26 |
| 22351-020006 | 22 | 14 |
| 22351-020016 | 16 | 73 |
| 22351-030016 | 16 | 55 |
| 22351-040008 | 10 | 6 |
| 22351-040010 | 1 | 27 |
| 22351-050012 | 16 | 74 |
| 22360-050000 | 16 | 75 |
| | 22 | 35 |
| 22372-050000 | 16 | 75 -1 |
| 22411-200150 | 22 | 15 |
| 22417-200120 | 22 | 25 |
| 22451-100000 | 16 | 76 |

| Parts No. | Fig. No. | Ref. No. |
|--------------|----------|----------|
| 22492-060362 | 16 | 77 |
| 22512-070140 | 9 | 5 |
| 22512-070220 | 7 | 3 |
| 22522-040160 | 15 | 85 |
| 23000-022000 | 14 | 37 |
| 23000-025000 | 13 | 35 |
| 23000-060000 | 8 | 37 |
| | 14 | 46 |
| 23000-070000 | 8 | 35 |
| | | 41 |
| | 14 | 47 |
| 23000-080000 | 14 | 48 |
| 23000-102000 | 8 | 36 |
| | | 38 |
| 23010-035000 | 4 | 71 |
| 23414-060000 | 15 | 86 |
| 23414-080000 | 2 | 23 |
| | 13 | 36 |
| | 19 | 20 |
| 23414-080012 | 2 | 24 |
| | 16 | 78 |
| | | 79 |
| | 21 | 20 |
| 23414-100000 | 13 | 37 |
| | 21 | 19 |
| 23414-100014 | 16 | 62 |
| 23414-120016 | 16 | 80 |
| 23414-140018 | 20 | 20 |
| | | 21 |
| | | 22 |
| | 21 | 21 |
| | | 22 |
| 23414-160000 | 14 | 35 |
| | | 40 |
| 23414-170000 | 6 | 7 |
| 23414-180000 | 12 | 14 |
| 23414-180023 | 15 | 87 |
| 23414-220000 | 12 | 15 |
| 23851-030000 | 21 | 23 |
| 23857-030000 | 13 | 38 |
| 23857-080000 | 20 | 23 |
| | | 24 |
| | | 25 |
| | | 26 |
| 23871-010000 | 1 | 10 |
| | 4 | 10 |
| 23871-030000 | 1 | 11 |
| | | 12 |
| | 4 | 11 |
| 23871-040000 | 1 | 13 |

Parts No. Index

| Parts No. | Fig. No. | Ref. No. |
|--------------|----------|----------|
| 23871-040000 | 4 | 12 |
| 23887-080002 | 19 | 19 |
| 23887-120002 | 16 | 81 |
| 23894-030002 | 6 | 8 |
| 24102-062044 | 24 | 12 |
| 24311-000080 | 15 | 88 |
| 24311-000120 | 4 | 68 |
| | 19 | 16 |
| | 27 | 8 |
| 24311-000160 | 16 | 82 |
| 24311-000200 | 11 | 9 |
| | 26 | 14 |
| 24311-000210 | 15 | 89 |
| 24311-000320 | 4 | 66 |
| 24316-000200 | 13 | 39 |
| | 27 | 13 |
| 24321-000350 | 2 | 6 |
| | | 8 |
| | 26 | 6 |
| 24341-000080 | 16 | 83 |
| 24341-000140 | 16 | 84 |
| 26013-060149 | 22 | 36 |
| 26013-080142 | 10 | 17 |
| 26013-080182 | 3 | 8 |
| 26013-080202 | 1 | 41 |
| 26013-120252 | 4 | 73 |
| 26014-080252 | 24 | 14 |
| 26022-050122 | 16 | 85 |
| 26106-060102 | 22 | 26 |
| 26106-060142 | 2 | 37 |
| | | 37 -1 |
| | 16 | 86 |
| | 22 | 37 |
| 26106-060162 | 22 | 38 |
| 26106-060182 | 2 | 38 |
| 26106-060202 | 13 | 46 |
| | 20 | 7 |
| 26106-060222 | 16 | 88 |
| 26106-060302 | 2 | 38 -1 |
| | 23 | 44 |
| 26106-060352 | 15 | 90 |
| 26106-060452 | 23 | 43 |
| 26106-080122 | 6 | 9 |
| | | 10 |
| | 14 | 31 |
| | | 49 |
| 26106-080142 | 20 | 27 |
| 26106-080162 | 2 | 25 |
| | | 26 |
| | 13 | 45 |

| Parts No. | Fig. No. | Ref. No. |
|--------------|----------|----------|
| 26106-080202 | 2 | 27 |
| | | 28 |
| | 4 | 64 |
| | 5 | 3 |
| | 10 | 18 |
| | 13 | 47 |
| | 20 | 28 |
| | 24 | 15 |
| 26106-080252 | 6 | 11 |
| 26106-080302 | 10 | 9 |
| | 24 | 16 -1 |
| 26106-080352 | 2 | 29 |
| | 12 | 18 |
| | 14 | 32 |
| 26106-080402 | 3 | 13 |
| | 13 | 48 |
| | | 49 |
| | | 50 |
| 26106-080452 | 10 | 19 |
| | 11 | 10 |
| 26106-080502 | 7 | 11 |
| 26106-080552 | 14 | 19 |
| 26106-080602 | 2 | 30 |
| 26106-080652 | 4 | 33 |
| | 14 | 20 |
| 26106-080702 | 6 | 13 |
| | 11 | 11 |
| | 12 | 19 |
| 26106-080802 | 2 | 31 |
| | 14 | 33 |
| 26106-081002 | 2 | 32 |
| 26106-081202 | 3 | 14 |
| | 24 | 16 |
| 26106-100142 | 10 | 20 |
| 26106-100202 | 19 | 9 |
| 26106-100252 | 5 | 6 |
| | 19 | 10 |
| 26106-100302 | 3 | 24 |
| | | 24 -1 |
| | 19 | 22 |
| 26106-100352 | 3 | 25 |
| 26106-100652 | 14 | 23 |
| 26116-050082 | 23 | 50 |
| 26116-060082 | 22 | 16 |
| 26116-060162 | 4 | 57 |
| 26116-060256 | 16 | 89 |
| 26116-080202 | 10 | 7 |
| 26116-080352 | 10 | 8 |
| 26116-120252 | 23 | 60 |
| 26156-140502 | 3 | 15 |

| Parts No. | Fig. No. | Ref. No. |
|--------------|----------|----------|
| 26216-060162 | 15 | 91 |
| 26216-080142 | 3 | 4 A |
| 26216-080252 | 4 | 26 |
| 26216-080702 | 4 | 28 |
| 26216-100252 | 3 | 4 |
| 26226-060122 | 16 | 90 |
| 26366-060002 | 16 | 91 |
| 26366-080002 | 2 | 33 |
| | 3 | 7 A |
| | 4 | 24 |
| | | 25 |
| | | 27 |
| | | 29 |
| | 6 | 4 |
| | 20 | 29 |
| | 24 | 17 |
| 26366-100002 | 2 | 5 |
| | 3 | 12 |
| 26450-060452 | 16 | 92 |
| 26450-100352 | 7 | 16 |
| 26557-040122 | 23 | 46 |
| 26557-060202 | 15 | 92 |
| 26657-100002 | 22 | 27 |
| 26667-080002 | 16 | 93 |
| 26686-120002 | 16 | 94 |
| 26696-100002 | 16 | 63 |
| 26706-100002 | 19 | 23 |
| 26716-060002 | 15 | 93 |
| 26736-100002 | 11 | 7 |
| 26736-140002 | 15 | 96 |
| 26757-050002 | 22 | 28 |
| 26757-080002 | 16 | 95 |
| 26776-120002 | 16 | 96 |
| 26776-160002 | 24 | 13 |
| 26921-050122 | 22 | 17 |
| 27241-200000 | 1 | 14 |
| 27241-220000 | 4 | 17 |
| 27241-350000 | 4 | 13 |
| 27241-500000 | 1 | 4 |
| 28110-100120 | 28 | 4 |
| 28110-140170 | 28 | 5 |
| 28110-190220 | 28 | 6 |
| 28210-000140 | 28 | 7 |
| 41650-501180 | 19 | 6 |
| 41650-550310 | 19 | 1 -1 |
| 41650-550311 | 19 | 1 |
| 41650-550810 | 19 | 3 -1 |
| 41650-550811 | 19 | 3 |
| 41690-501520 | 25 | 7 |
| 42421-500250 | 14 | 24 |

| Parts No. | Fig. No. | Ref. No. |
|--------------|----------|----------|
| 42430-550060 | 19 | 14 |
| 43400-500410 | 2 | 22 |
| 43400-500420 | 16 | 68 |
| 43400-500450 | 16 | 97 |
| 43400-500470 | 20 | 20 -1 |
| | | 21 -1 |
| | | 22 -1 |
| | | 30 |
| | 21 | 21 -1 |
| | | 22 -1 |
| | 26 | 24 |
| 43400-500490 | 3 | 6 A |
| | | 11 |
| | | 11 -1 |
| | 26 | 10 |
| | | 10 -1 |
| 43551-001451 | 21 | 24 |
| 43623-500030 | 19 | 11 |
| 46111-800300 | 25 | 8 |
| 46116-800040 | 22 | 39 -1 |
| 46116-800050 | 22 | 39 |
| 46120-800510 | 25 | 9 |
| 46150-502330 | 25 | 3 |
| 46150-502340 | 25 | 1 |
| 46150-504500 | 11 | 12 |
| 46150-505170 | 2 | 35 |
| 46150-508060 | 25 | 2 |
| 46150-803610 | 25 | 10 |
| 46150-803620 | 25 | 11 |
| 46150-803670 | 25 | 12 |
| 46150-803680 | 25 | 13 |
| 723500-01560 | 1 | 1 |
| 723500-02800 | 1 | 21 |
| 723500-02930 | 1 | 24 |
| 723500-11500 | 4 | 37 |
| 723500-11650 | 4 | 38 |
| 723500-11660 | 4 | 44 |
| 723500-21700 | 9 | 1 -1 |
| 723500-22500 | 9 | 17 |
| 723500-23600 | 9 | 27 |
| 723500-23700 | 9 | 23 |
| 723550-01541 | 3 | 1 |
| 723560-01600 | 2 | 1 |
| 723560-11700 | 4 | 1 |
| 723560-14580 | 7 | 1 |
| 723560-21700 | 9 | 1 |
| 723561-33700 | 11 | 1 |
| 723562-92620 | 26 | 1 |
| 723600-53102 | 18 | 1 |
| 723660-13500 | 6 | 1 |

Parts No. Index

| Parts No. | Fig. No. | Ref. No. |
|--------------|----------|----------|
| 723660-51300 | 15 | 1 |
| 723661-92630 | 27 | 1 |
| X213011001 | 23 | 2 -1 |
| X21301402 | 23 | 26 -1 |
| X213016005 | 23 | 33 -1 |
| X21302115 | 23 | 5 -1 |
| X21302302 | 23 | 3 -1 |
| X21302605 | 23 | 35 -1 |
| X21303119 | 23 | 14 -1 |
| X21303302 | 23 | 4 -1 |
| X213033021 | 23 | 22 -1 |
| X213033111 | 23 | 20 -1 |
| | | 23 -1 |
| X21305313 | 23 | 24 -1 |
| X21305820 | 23 | 42 -1 |
| X213062101 | 23 | 17 -1 |
| X213067004 | 23 | 32 -1 |
| X213095002 | 23 | 31 -1 |
| X21309610 | 23 | 38 -1 |
| X22501113 | 23 | 28 -1 |
| X225013012 | 23 | 21 -1 |
| X22503601 | 23 | 34 -1 |
| X225054001 | 23 | 25 -1 |
| XN191005 | 8 | 5 |
| XN191103 | 8 | 4 |
| XN191109 | 8 | 8 |
| XN191300 | 8 | 2 |
| XN191302 | 8 | 3 |
| XN192200 | 8 | 19 |
| XN192202 | 8 | 20 |
| XN192702 | 8 | 9 |
| XN193204 | 8 | 27 |
| XN193207 | 8 | 17 |
| XN193600 | 8 | 18 |
| XN193653 | 8 | 28 |
| XN196103 | 8 | 26 |
| XN197400 | 8 | 23 |
| XN197402 | 8 | 24 |
| XN197404 | 8 | 25 |
| XN199800 | 8 | 10 |
| XN199801 | 8 | 15 |
| XN971007 | 8 | 7 |
| XN973502 | 8 | 12 |
| XN973503 | 8 | 11 |
| XN977003 | 8 | 16 |
| XNB133206 | 8 | 13 |
| XNB134007 | 8 | 22 |
| XNH163006 | 8 | 14 |
| XNN131008 | 8 | 6 |
| XNN134035 | 8 | 21 |

| Parts No. | Fig. No. | Ref. No. |
|-----------|----------|----------|
|-----------|----------|----------|

| Parts No. | Fig. No. | Ref. No. |
|-----------|----------|----------|
|-----------|----------|----------|

| Parts No. | Fig. No. | Ref. No. |
|-----------|----------|----------|
|-----------|----------|----------|