

0CD10-M31401EN

PREFACE

1. This Parts Catalog is the 1st edition of 3TN78L-RMCD Diesel Engine for MITSUBISHI.

Pub. No. : 000Y00D3141

Published : January, 1991

2. Model name

Engine model	Vehicle		Vehicle made by
	Products	Model name	
3TN78L-RMCD	—	—	MITSUBISHI

Directions for the Parts Catalog.

1. The parts stipulated in this Parts Catalog are not necessarily standard equipped parts.
2. Parts may change without prior notice.
3. The following is an example of the Parts Catalog format.

OCF10-G21601		29. FUEL INJECTION PUMP(W/BOOST)									
REF.	LEV.	PARTS NO.	DESCRIPTION	(A)	(B)	(C)	(D)	(E)	(F)	I	R
1	1	729595-51390	FUEL INJECTION PUMP	1	1	1	1	1			1
1-1	1	729595-51391	FUEL INJECTION PUMP	1	1	1	1	1		N	1
		(A=E00185)	(B=E00200)								
3	2	26022-060162	SCREW M 6X 16	9	9	9	9	9			
3-1	2	26022-060162	SCREW M 6X 16	4	4	4	4	4		K	
		(A=E00156)	(B=E00156)	(C=E00156)	(D=E00156)	(E=E00156)					
4	2	129470-51040	CAMSHAFT	1	1	1	1	1			
5	2	122710-51050	BEARING, ROLLER	2	2	2	2	2			
6	2	129470-51060	RETAINER	1	1	1	1	1			

Remarks
(1) BOOST COMPEMSATOR TYPE. OPTIONAL PART, TO E00155,(4JH-DT, 4JH-DTZ

① Ref. No.

The Ref. No. listed may not be in accordance with the illustration Ref. No.

(Ex.) Illustration No.

List Ref No.

1 1 (Before change) → 1-1 (After change)

For interchangeable symbols N, R and K, illustrations for new parts may be abbreviated.

② Lev. (Level)

Level indication

The numbers below indicate the level of relativity towards the main part.

1 ----- Main parts (Assembly parts)

2 ----- Sub component included in " 1 ".

3 ----- Sub component included in " 2 ".

Note) Parts that are not for sale are partially illustrated but not listed.

③ Interchangeability Mark

When a part change takes place, one of the following interchangeability symbols is indicated beside the part.

Symbol	Interchangeability	Contents note
N	Old $\begin{matrix} \leftarrow \text{Yes} \\ \text{No} \rightarrow \end{matrix}$ New	New Part is interchangeable for Old Part but Old Part is not interchangeable for New Part.
Q	Old $\begin{matrix} \leftarrow \text{No} \\ \text{Yes} \rightarrow \end{matrix}$ New	New Part is not interchangeable for Old Part but Old Part is interchangeable for New Part.
R	Old $\begin{matrix} \leftarrow \text{Yes} \\ \text{Yes} \rightarrow \end{matrix}$ New	New/ Old Parts are both interchangeable.
S	Old $\begin{matrix} \leftarrow \text{No} \\ \text{No} \rightarrow \end{matrix}$ New	New/ Old Parts are both not interchangeable.
W		Part newly added.
Z		Part discontinued.
F		Not interchangeable by a single part but interchangeable together with related parts.
K		Changes only for used parts quantities.

④ Effective Machine No.

When a part changes, the effective Machine No. will be indicated in the (A)-(F) column.

Product Symbol	Product No.	Product Symbol	Product No.
C	Clutch No. Compressor No.	F	Machine No. (Agricultural Equip.)
D	Drive No.	M	Machine No.
E	Engine No.		

Note 1) A date may follow the symbol. (Ex.) 1996.01

Note 2) "XXXXX" and "ZZZZZ" are for parts that could not be predicted or for engine models that could not be identified.

Note 3) (A=E00185) is the E (Engine Serial Number) for the column (A) model (in this case 4JH-DT) after the parts design change.

⑤ Remarks Mark

Figures or alphabets (symbols) are entered in the remarks column.

The comments (remarks) on parts that are indicated at the bottom of the illustration are the same symbols as those stated above.

Contents

Fig. No. Fig. Name

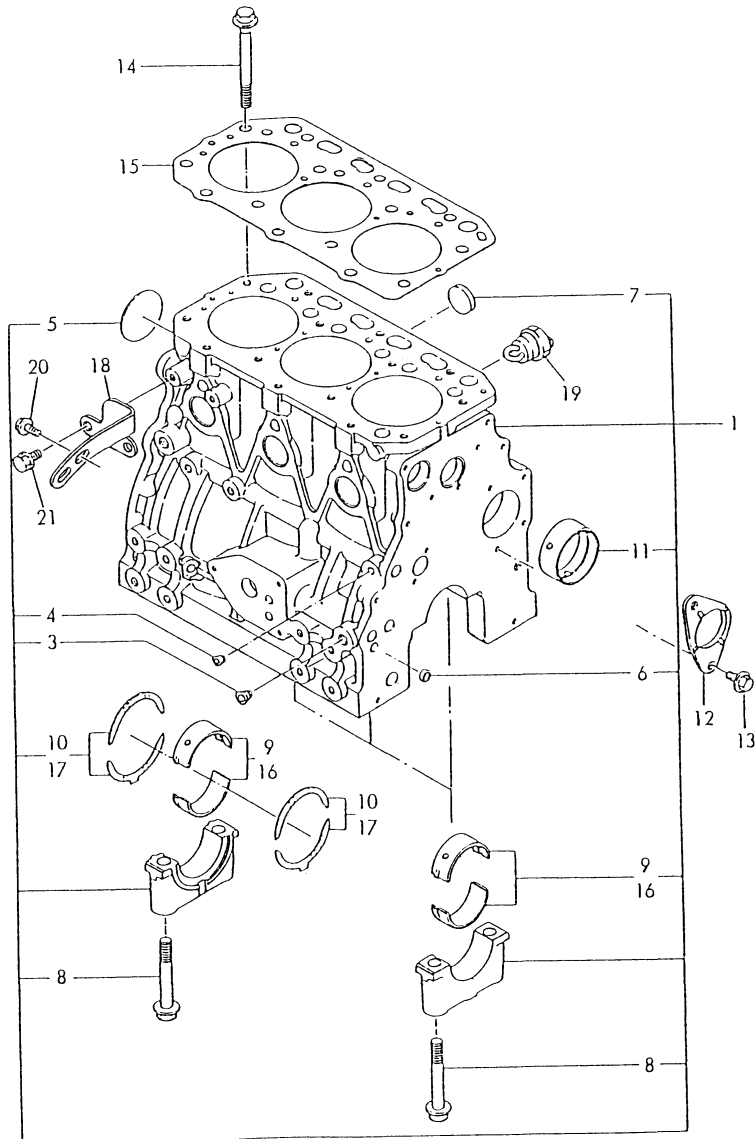
ENGINE 3TN78L-RMCD

1. CYLINDER BLOCK
2. GEAR HOUSING
3. FLYWHEEL HOUSING & OIL SUMP
4. CYLINDER HEAD & BONNET
5. SUCTION/EXHAUST MANIFOLD
6. CAMSHAFT & DRIVING GEAR
7. CRANKSHAFT & PISTON
8. LUB. OIL SYSTEM
9. COOLING WATER SYSTEM
10. THERMOSTAT
11. FUEL INJECTION PUMP
12. FUEL INJECTION PIPE
13. FUEL LINE
14. GOVERNOR
15. STARTING MOTOR
16. ELECTRIC PART
17. TOOL & GASKET SET

Fig. No. Fig. Name

Fig.1. CYLINDER BLOCK

029117-01100
 029150-02100
 029129-02200



(A)=3TN78L-RMCD

(B)=

(C)=

(D)=

(E)=

(F)=

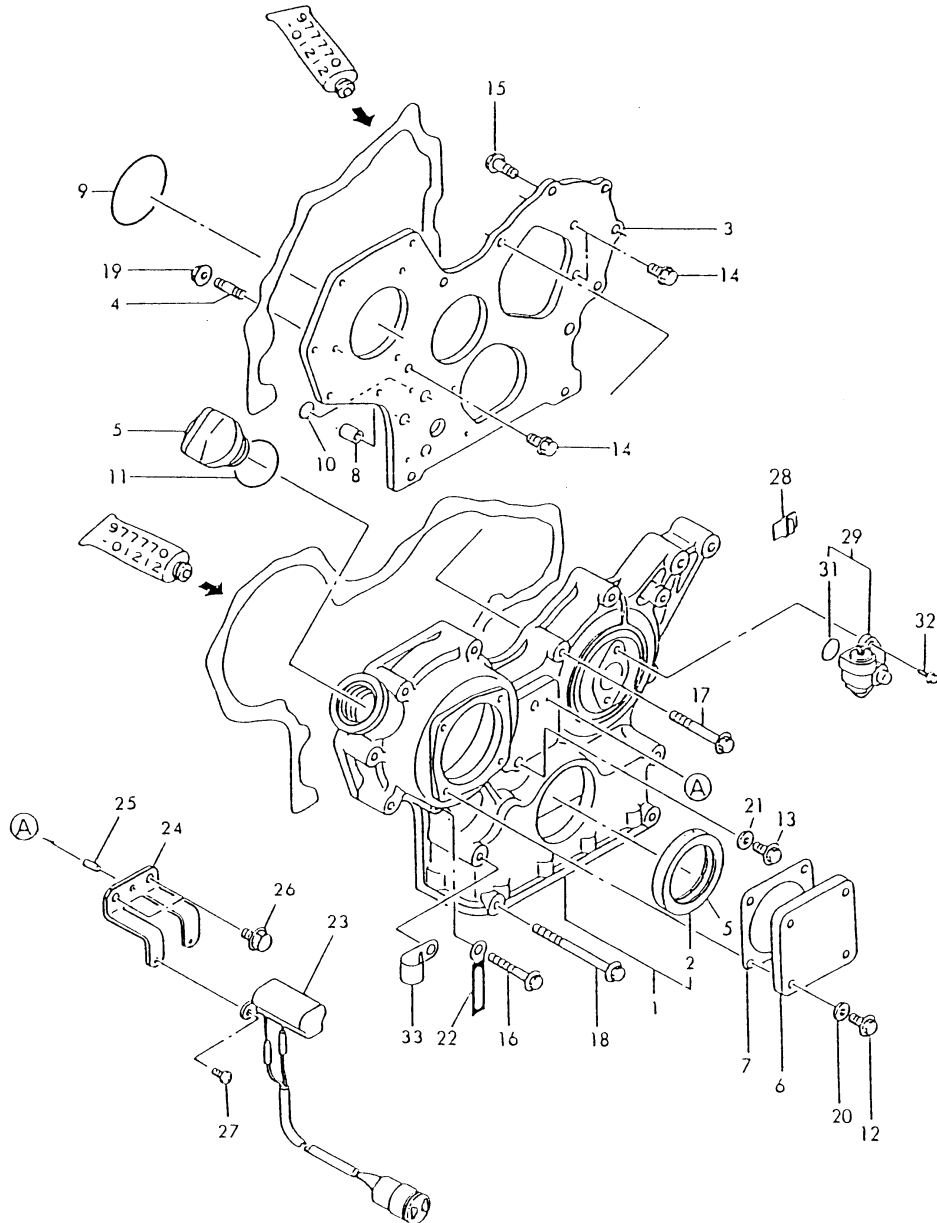
No.	Lev.	Parts No.	Description	Q'ty						I	R
				(A)	(B)	(C)	(D)	(E)	(F)		
1	1	729100-01560	BLOCK ASSY, CYLINDER	1							
3	2	124160-01910	PLUG, PT1/4	3							
4	2	23871-010000	PLUG, R01	1							
5	2	27231-500000	PLUG 50	1							
6	2	27241-120000	PLUG, 12	2							
7	2	27241-300000	PLUG 30	6							
8	2	129150-02020	BOLT, METAL CAP	8							
9	2	129150-02800	BEARING, MAIN	4							
10	2	129150-02930	BEARING, THRUST	2							
11	2	129795-02411	BUSH, CAMSHAFT	1							
12	1	129150-02450	BEARING, THRUST	1							Z
(A=EXXX)											
13	1	26106-080162	BOLT, M8X 16 PLATED	2							
14	1	129150-01200	BOLT, HEAD	14							
15	1	129100-01330	GASKET, HEAD T=1.4	1							
16	1	129150-02870	BEARING, 0.25 US	4							1
17	1	129150-02940	BEARING, THRUST 0.25	2							2
18	1	129117-01980	RETAINER	1							
19	1	171015-77900	HEATER	1							
20	1	26106-060122	BOLT, M6X 12 PLATED	2							
21	1	26106-080142	BOLT, M8X 14 PLATED	2							

Remarks

- (1) UNDER-SIZE(U.S=0.25) PART.
- (2) OVER-SIZE (O.S=0.25) PART.

Fig.2. GEAR HOUSING

02:400-01220
 02:115-75500
 02:150-91100



(A)=3TN78L-RMCD

(B)=

(C)=

(D)=

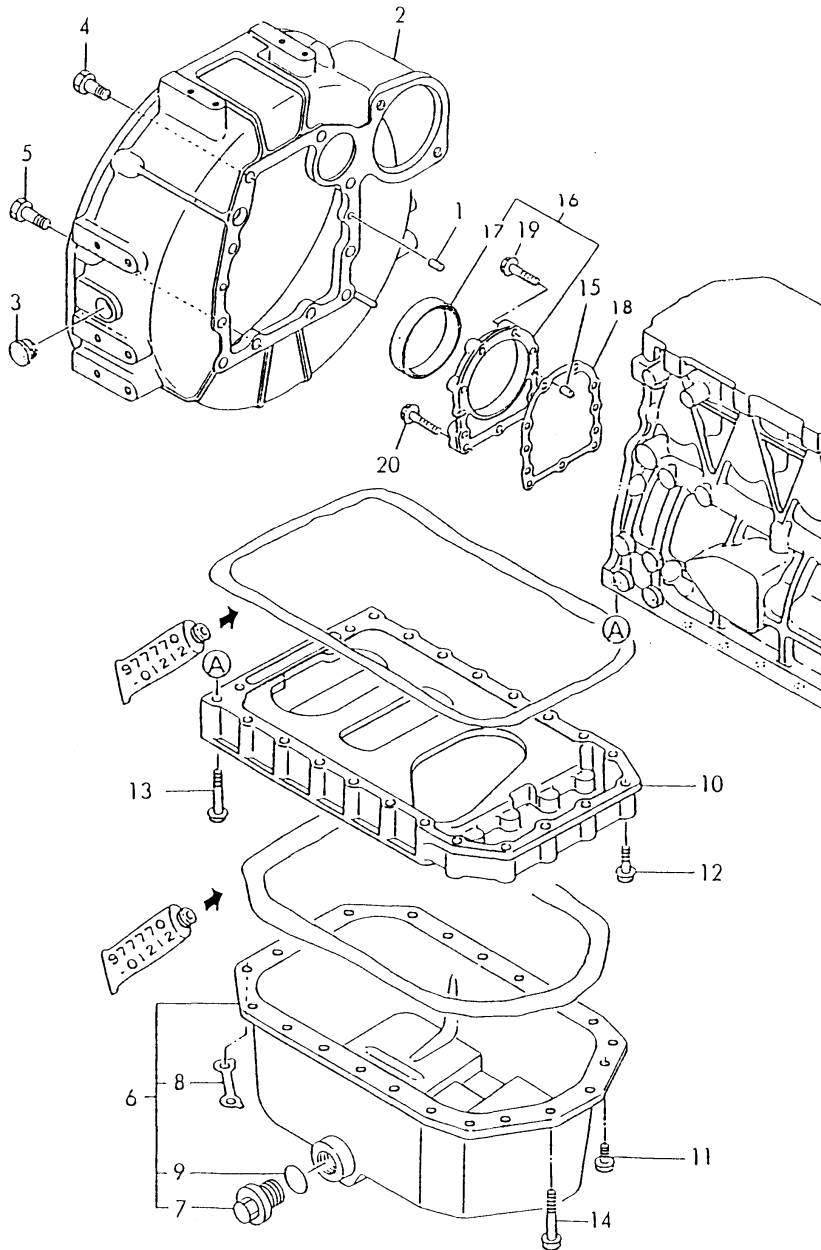
(E)=

(F)=

No.	Lev.	Parts No.	Description	Q'ty						I	R
				(A)	(B)	(C)	(D)	(E)	(F)		
1	1	129400-01590 (A=E06104)	CASE ASSY, GEAR	1							W
2	2	129795-01800	SEAL, OIL		1						
3	1	129400-01520	FLANGE, GEAR CASE	1							
4	1	121450-01560	STUD, M8X22	3							
5	1	124160-01751	COVER, FILLER	1							
6	1	124240-01871	COVER	1							
7	1	124240-01882	GASKET	1							
7-1	1	124240-01883	GASKET	1							R
		(A=E06104)									
8	1	129795-01950	PIPE, KNOCK L=18	2							
9	1	121850-51960	O-RING	1							
10	1	24311-000160	O-RING, 1AP16.0	2							
11	1	24311-000320	O-RING, 1AP32.0	1							
12	1	26106-080122	BOLT, M8X 12 PLATED	4							
13	1	26106-080162	BOLT, M8X 16 PLATED	1							
14	1	26106-080162	BOLT, M8X 16 PLATED	3							
15	1	26106-080202	BOLT, M8X 20 PLATED	2							
16	1	26106-080452	BOLT, M8X 45 PLATED	6							
17	1	26106-080552	BOLT, M8X 55 PLATED	3							
18	1	26106-080852	BOLT, M8X 85 PLATED	4							
19	1	26366-080002	NUT, M8	3							
20	1	43400-500410	SEAL WASHER 8	4							
21	1	43400-500410	SEAL WASHER 8	1							
22	1	194180-51640	CLAMP, HARNESS	1							
23	1	119649-78500	PULSAR	1							
24	1	129116-78510	BRACKET, PULSAR	1							
25	1	22351-040010	PIN, SPRING 4.0X10	1							
26	1	26116-060122	BOLT, M6X 12 PLATED	2							
27	1	26557-040082	SCREW, M4X 8	2							
28	1	172010-08160	STICKER, WIRE	1							
29	1	129150-91400	GEAR	1							
31	2	24341-000240	O-RING, 1AS24.0	1							
32	1	26106-060162	BOLT, M6X 16 PLATED	2							
33	1	129150-03100	RETAINER, PIPE	1							W
		(A=E06104)									

Fig.3. FLYWHEEL HOUSING & OIL SUMP

D2910G-01310
 D2910G-01410
 D2910G-01510



(A)=3TN78L-RMCD

(B)=

(C)=

(D)=

(E)=

(F)=

No.	Lev.	Parts No.	Description	Q'ty						I	R
				(A)	(B)	(C)	(D)	(E)	(F)		
1	1	129100-01580	PIN, M8X16	2							
2	1	171301-01600	HOUSING, FLYWHEEL	1							
3	1	119620-01750	CAP	1							
4	1	26206-100252	BOLT, M10X 25 PLATED	6							
5	1	26206-100302	BOLT, M10X 30 PLATED	4							
6	1	771341-01540	SUMP ASSY, OIL	1							
6-1	1	129100-01770	SUMP ASSY, OIL	1							R
		(A=*1990.)									
7	2	171301-01640	PLUG, 22	1							
8	2	129100-01790	RETAINER	2							
9	2	24341-000240	O-RING, 1AS24.0	1							
10	1	129100-01730	SPACER, OIL SUMP	1							
11	1	26106-080162	BOLT, M8X 16 PLATED	4							
12	1	26106-080252	BOLT, M8X 25 PLATED	2							
13	1	26106-080452	BOLT, M8X 45 PLATED	16							
14	1	26106-080502	BOLT, M8X 50 PLATED	4							
15	1	129100-01580	PIN, M8X16	2							
16	1	129100-01640	CASE ASSY, OIL SEAL	1							W
		(A=E06104)									
17	2	129795-01780	SEAL, OIL	1							
		(A=E06104)									
18	1	129150-01660	GASKET	1							Z
		(A=E06104)									
19	1	26106-080302	BOLT, M8X 30 PLATED	6							
20	1	26106-080352	BOLT, M8X 35 PLATED	3							

Fig.4. CYLINDER HEAD & BONNET

(A)=3TN78L-RMCD

(B)=

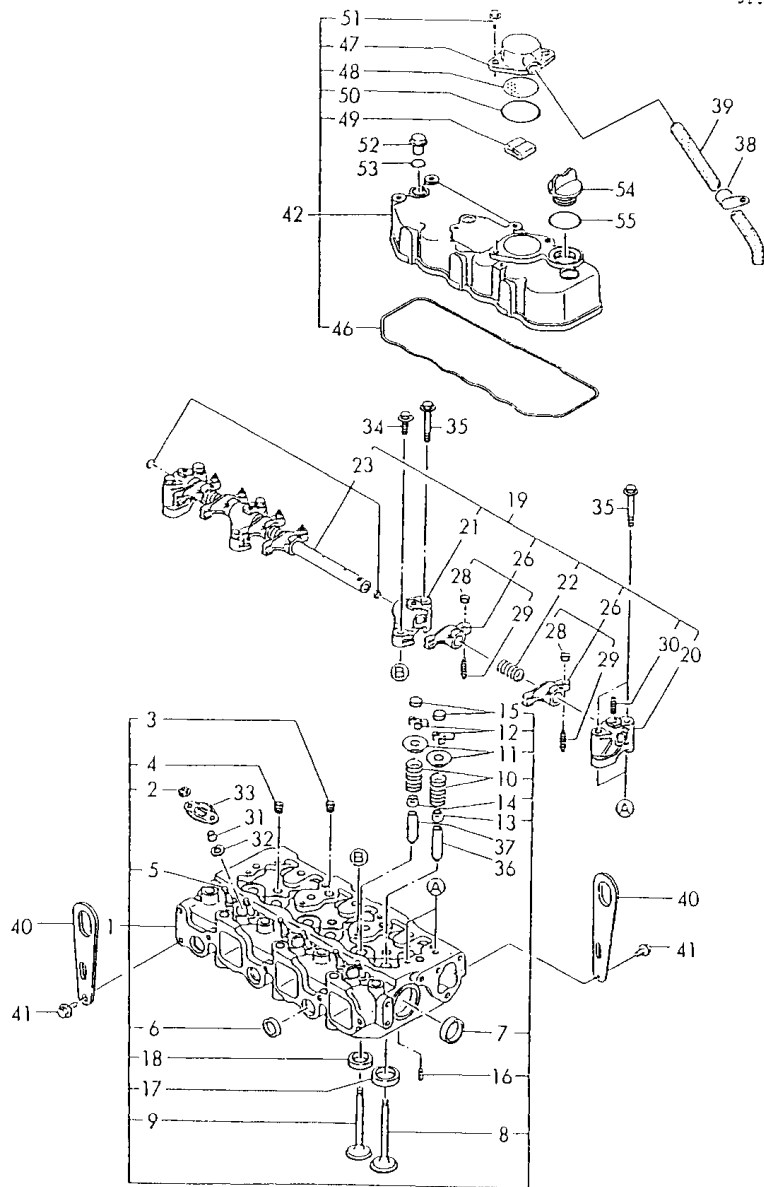
(C)=

(D)=

(E)=

(F)=

029100-03120
021000-07100
029100-11100
029100-11220



No.	Lev.	Parts No.	Description	Qty						I	R
				(A)	(B)	(C)	(D)	(E)	(F)		
1	1	729103-11700	HEAD ASSY, CYLINDER	1							
2	2	26366-060002	NUT, M6	6							
3	2	121850-11860	PLUG, PT1/4	2							
4	2	23871-030000	PLUG, R03	3							
5	2	26216-060202	STUD, M6X 20	6							
6	2	27241-220000	PLUG, 22	3							
7	2	27241-400000	PLUG, 40	2							
8	2	129100-11100	VALVE, INTAKE	3							
9	2	129100-11130	VALVE, EXHAUST	3							
10	2	129795-11120	SPRING, VALVE	6							
11	2	129795-11180	RETAINER, SPRING	6							
12	2	103338-11190	COTTER	6							
12-1	2	27310-080001	COTTER, 8	6							R
(A=EXXXXX)											
13	2	121400-11340	SEAL, VALVE STEM	3							
14	2	124460-11340	SEAL, VALVE STEM	3							
15	2	129150-11370	CAP, VALVE	6							
16	2	22351-060012	PIN, SPRING 6.0X12	2							
17	2	129400-11080	SEAT, INTAKE VALVE	3							
17-1	2	129470-11080	SEAT, INTAKE VALVE	3							N
(A=EXXXX)											
18	2	129400-11090	SEAT, EXHAUST VALVE	3							
18-1	2	129470-11090	SEAT, EXHAUST VALVE	3							N
(A=EXXXX)											
19	1	129155-11241	SHAFT ASSY, ROCKER	1							
20	2	129155-11260	SUPPORT, ROCKER ARM	2							
21	2	129155-11270	SUPPORT, ROCKER ARM	2							
22	2	129150-11280	SPRING	3							
23	2	129150-11290	SHAFT, ROCKER ARM	1							
26	2	729150-11651	ARM ASSY, ROCKER	6							
26-1	2	729402-11650	ARM ASSY, ROCKER	6							N
(A=E06104)											
28	3	129150-11750	NUT, M8	6							
29	3	129150-11230	SCREW, VALVE ADJUST	6							
30	2	26226-080182	STUD, M8X 18	3							
31	1	119625-11870	PROTECTOR, NOZZLE	3							
32	1	119625-11880	SEAT, NOZZLE	3							
33	1	119625-11900	RETAINER, NOZZLE	3							
34	1	26106-080252	BOLT, M8X 25 PLATED	2							
35	1	26106-080502	BOLT, M8X 50 PLATED	6							
36	1	120130-11860	GUIDE, VALVE	3							1
37	1	129150-11810	GUIDE, VALVE	3							1
38	1	129150-03100	RETAINER, PIPE	1							Z
(A=E06104)											
39	1	129150-03090	HOSE, ID16X2T	1							
40	1	124736-07900	LIFTER	2							
41	1	26106-080142	BOLT, M8X 14 PLATED	4							
42	1	729132-11520	BONNET ASSY, HEAD	1							
42-1	1	129100-11350	BONNET ASSY, HEAD	1							N
(A=E06104)											
46	2	129150-11310	GASKET, BONNET	1							

Remarks

(1) REPAIR PART.

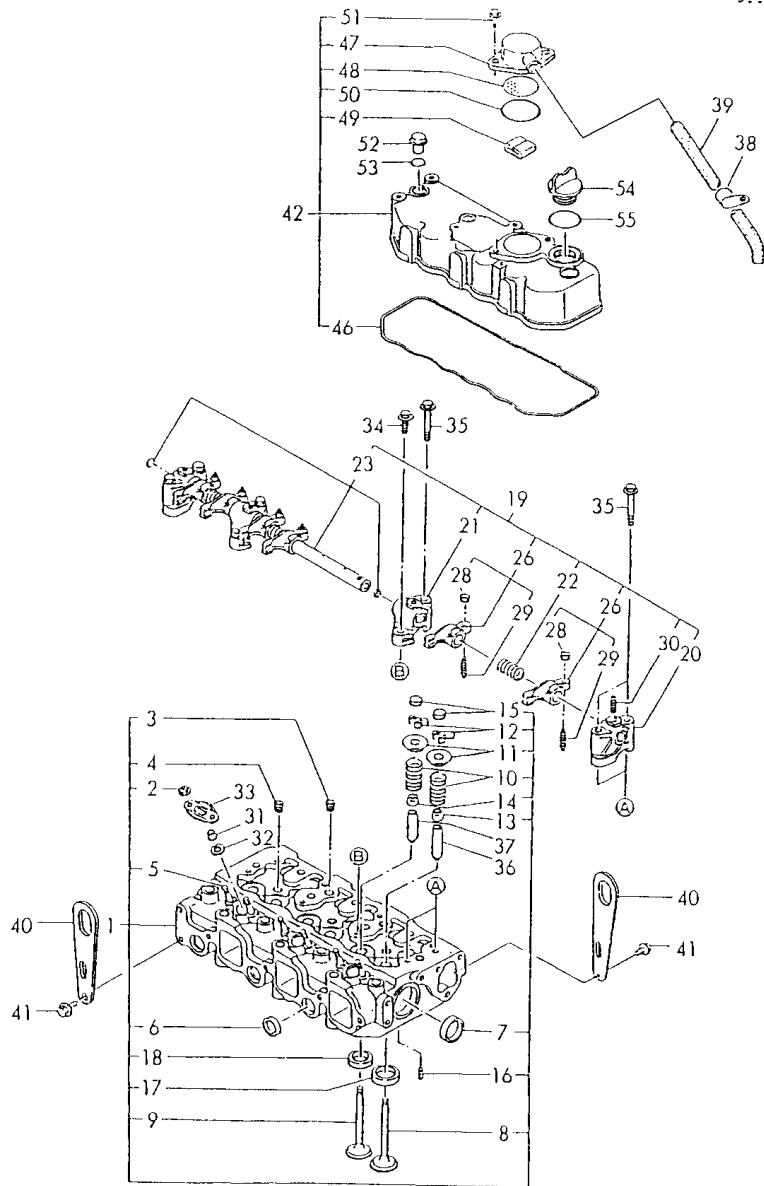
N:Old $\frac{Yes}{No}$ New, Q:Old $\frac{No}{Yes}$ New, R:Old $\frac{Yes}{Yes}$ New, S:Old $\frac{No}{No}$ New, W:Add, Z:Discontinued, F:Interchangeable by set, K:Q'ty Change

++ CONTINUE ++

Copyright (C) YANMAR CO., LTD. All Rights Reserved.

Fig.4. CYLINDER HEAD & BONNET

025100-03120
 021000-07100
 025100-11100
 025100-11220



(A)=3TN78L-RMCD

(B)=

(C)=

(D)=

(E)=

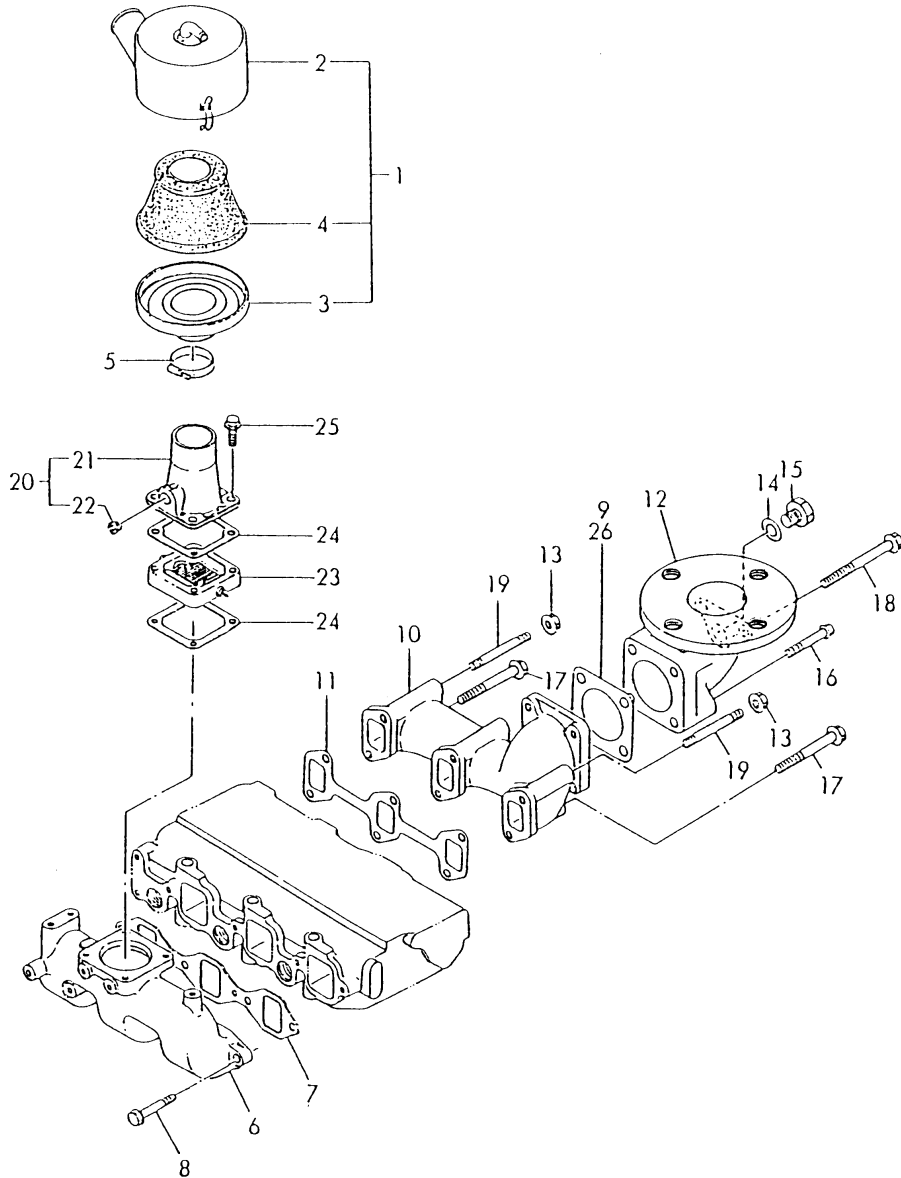
(F)=

No.	Lev.	Parts No.	Description	Q'ty						I	R
				(A)	(B)	(C)	(D)	(E)	(F)		
47	2	129150-03020	COVER, BREATHER	1							
48	2	129150-03080	PLATE, BAFFLE	1							
49	2	129150-03070	BAFFLE, BREATHER	1							
50	2	24341-000500	O-RING, 1AS50.0	1							
51	2	26106-080162	BOLT, M8X 16 PLATED	2							
52	1	124160-11360	KNOB	3							
53	1	24311-000120	O-RING, 1AP12.0	3							
54	1	124160-01751	COVER, FILLER	1							
55	1	24311-000320	O-RING, 1AP32.0	1							

Remarks
 (1) REPAIR PART.

Fig.5. SUCTION/EXHAUST MANIFOLD

029150-12200
 029117-12100
 071375-13100TK
 029117-17500
 029117-93100



(A)=3TN78L-RMCD

(B)=

(C)=

(D)=

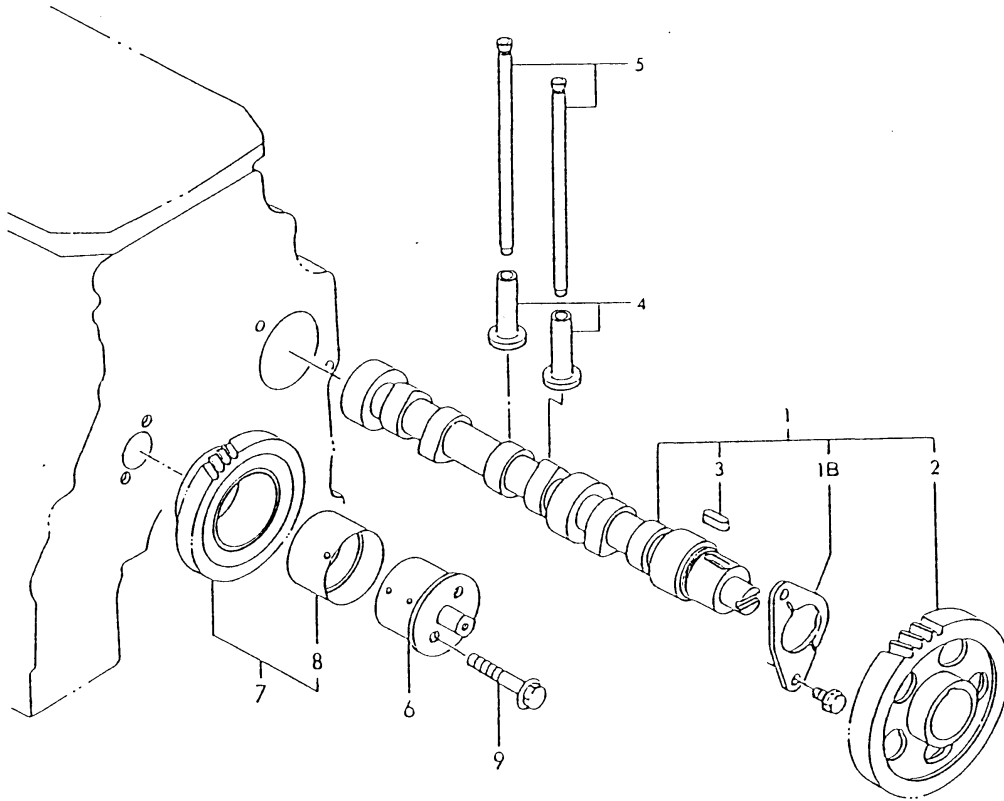
(E)=

(F)=

No.	Lev.	Parts No.	Description	Q'ty						I	R
				(A)	(B)	(C)	(D)	(E)	(F)		
1	1	129795-12501	SILENCER ASSY	1							
2	2	129795-12520	PIPE, AIR INTAKE	1							
3	2	129795-12530	PLATE	1							
4	2	129795-12540	ELEMENT	1							
5	1	23000-060000	CLAMP, 60	1							
6	1	129150-12100	MANIFOLD, AIR INTAKE	1							
7	1	129150-12110	GASKET, MANIFOLD	1							
7-1	1	129150-12111	GASKET, MANIFOLD	1							N
(A=E06104)											
8	1	26106-080252	BOLT, M8X 25 PLATED	4							
9	1	124450-11900	GASKET	1							
10	1	129100-13110	MANIFOLD, EXHAUST	1							
11	1	129150-13110	GASKET	1							
12	1	171083-13300	BEND, EXHAUST 50A	1							
13	1	194990-22050	NUT, M8	2							
14	1	23414-170000	GASKET, 17X1.0	1							
15	1	23894-030002	PLUG, G3/8	1							
16	1	26106-080452	BOLT, M8X 45 PLATED	2							
17	1	26106-080802	BOLT, M8X 80 PLATED	4							
18	1	26106-080952	BOLT, M8X 95 PLATED	2							
19	1	26216-080802	STUD, M8X 80	2							
20	1	129470-12210	JOINT ASSY	1							
21	2	129470-12200	JOINT	1							
22	2	23871-010000	PLUG, R01	1							
23	1	129100-77500	HEATER, AIR 12V	1							
24	1	129150-77510	GASKET	2							
24-1	1	129150-77511	GASKET	2							N
(A=E06104)											
25	1	26106-080352	BOLT, M8X 35 PLATED	4							
26	1	124701-11910	GASKET, SILENCER	1							
26-1	1	124701-11911	GASKET, SILENCER	1							N
(A=E06104)											

Fig.6. CAMSHAFT & DRIVING GEAR

D29129-14100
D29100-29101



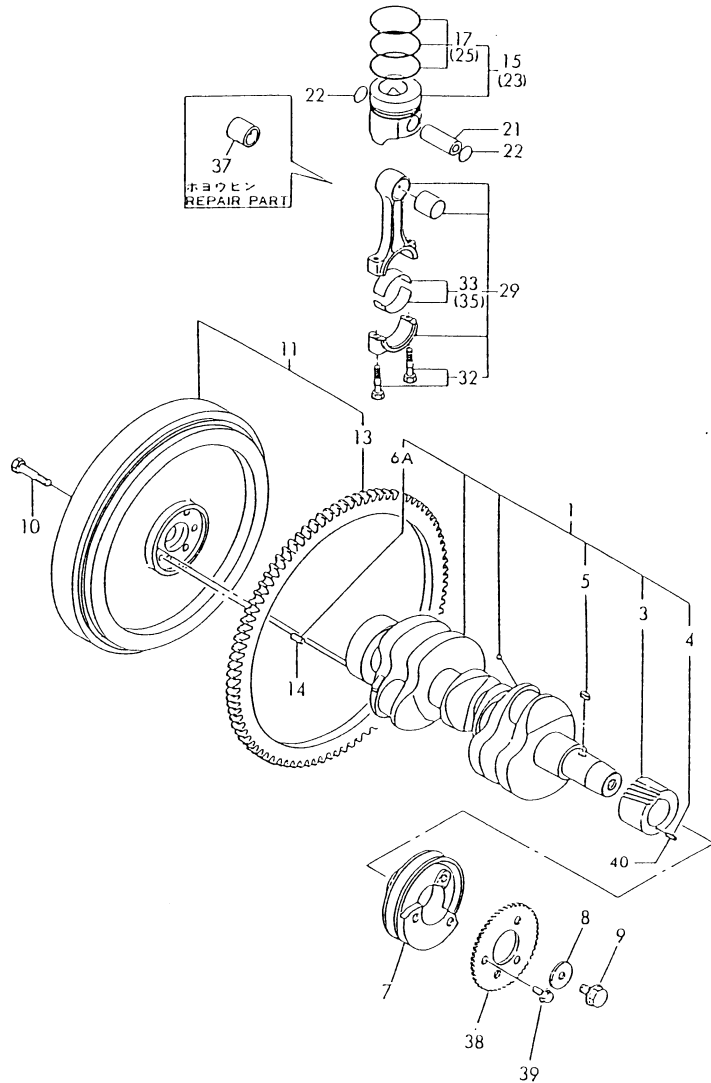
(A)=3TN78L-RMCD
(B)=
(C)=

(D)=
(E)=
(F)=

No.	Lev.	Parts No.	Description	Q'ty						I	R
				(A)	(B)	(C)	(D)	(E)	(F)		
1	1	129129-14580 (A=EXXX)	CAMSHAFT ASSY	1							W
1B	2	129150-02450 (A=EXXX)	BEARING, THRUST	1							W
2	2	129150-14101	GEAR, CAMSHAFT	1							
3	2	22512-070140	KEY, 7X 14	1							
4	1	129150-14200	TAPPET	6							
5	1	129150-14400	ROD, PUSH L=178	6							
6	1	129100-25061	SHAFT, IDLE	1							
7	1	129150-25101	GEAR ASSY, IDLE	1							
9	1	26106-080452	BOLT, M8X 45 PLATED	2							

Fig.7. CRANKSHAFT & PISTON

D29100-21100
 D29100-21200
 D29100-21300
 D29403-22100
 D29150-23100
 D1949-78600



(A)=3TN78L-RMCD

(B)=

(C)=

(D)=

(E)=

(F)=

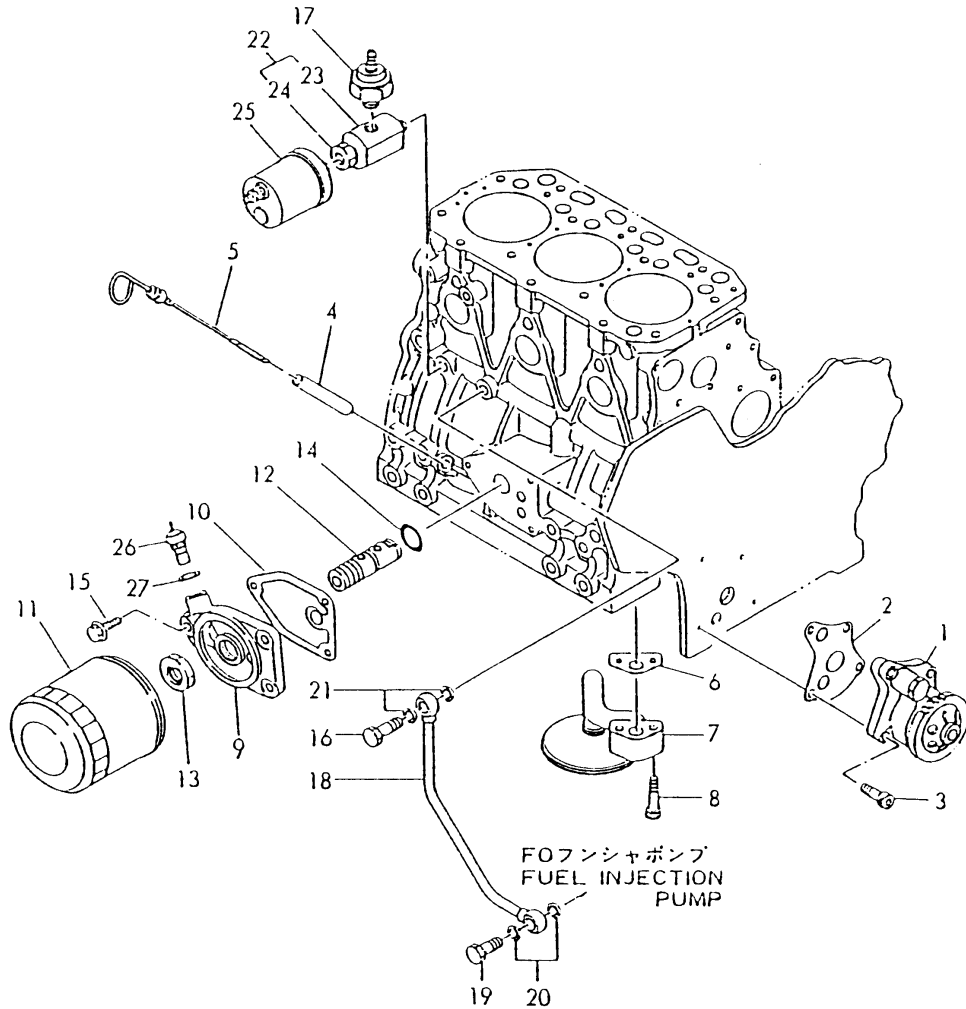
No.	Lev.	Parts No.	Description	Q'ty						I	R
				(A)	(B)	(C)	(D)	(E)	(F)		
1	1	729102-21700	CRANKSHAFT ASSY	1							
3	2	129150-21200	GEAR, CRANKSHAFT	1							
4	2	22351-040010	PIN, SPRING 4.0X10	1							Z
(A=*1990.)											
5	2	22512-070140	KEY, 7X 14	1							
6A	2	129100-01580	PIN, M8X16	1							W
(A=*1990.)											
7	1	129116-21650	V-PULLEY	1							
7-1	1	171340-21650	V-PULLEY	1							S
(A=E0000)											
8	1	129795-21661	WASHER	1							
9	1	121850-21680	BOLT	1							
10	1	121111-21501	BOLT, FLYWHEEL	6							
11	1	171340-21580	FLYWHEEL ASSY	1							
13	2	119865-21600	GEAR, RING	1							
14	2	129100-01580	PIN, M8X16	1							
15	1	129403-22090	PISTON ASSY	3							
17	2	729550-22500	RING SET, PISTON	3							
17-1	2	729403-22500	RING SET, PISTON	3							N
(A=E06104)											
21	1	129150-22300	PIN, PISTON D26 L66	3							
22	1	121100-22400	CIRCLIP	6							
23	1	729403-22900	PISTON ASSY, 0.25 OS	1							1
25	2	729550-22950	RING SET, 0.25 OS	1							1
29	1	729150-23700	ROD ASSY, CONNECTING	3							
29-1	1	729402-23100	ROD ASSY, CONNECTING	3							N
(A=E06104)											
32	2	121550-23200	BOLT, CONNECTING ROD	6							
33	2	129150-23600	BEARING, CRANK PIN	3							
35	1	129150-23610	BEARING, 0.25 US	3							2
37	1	129100-23910	BEARING, PISTON PIN	3							3
38	1	119649-78650	GEAR, PULSAR	1							
39	1	26106-100142	BOLT, M10X 14 PLATED	3							
40	1	22351-040010	PIN, SPRING 4.0X10	1							W
(A=*1990)											

Remarks

- (1) OVER-SIZE (O.S=0.25) PART.
- (2) UNDER-SIZE(U.S=0.25) PART.
- (3) REPAIR PART.

Fig.8. LUB. OIL SYSTEM

D29150-32100
 D29100-34100
 D29100-35110
 U71375-35200
 U71375-39110
 U71335-39400



(A)=3TN78L-RMCD

(B)=

(C)=

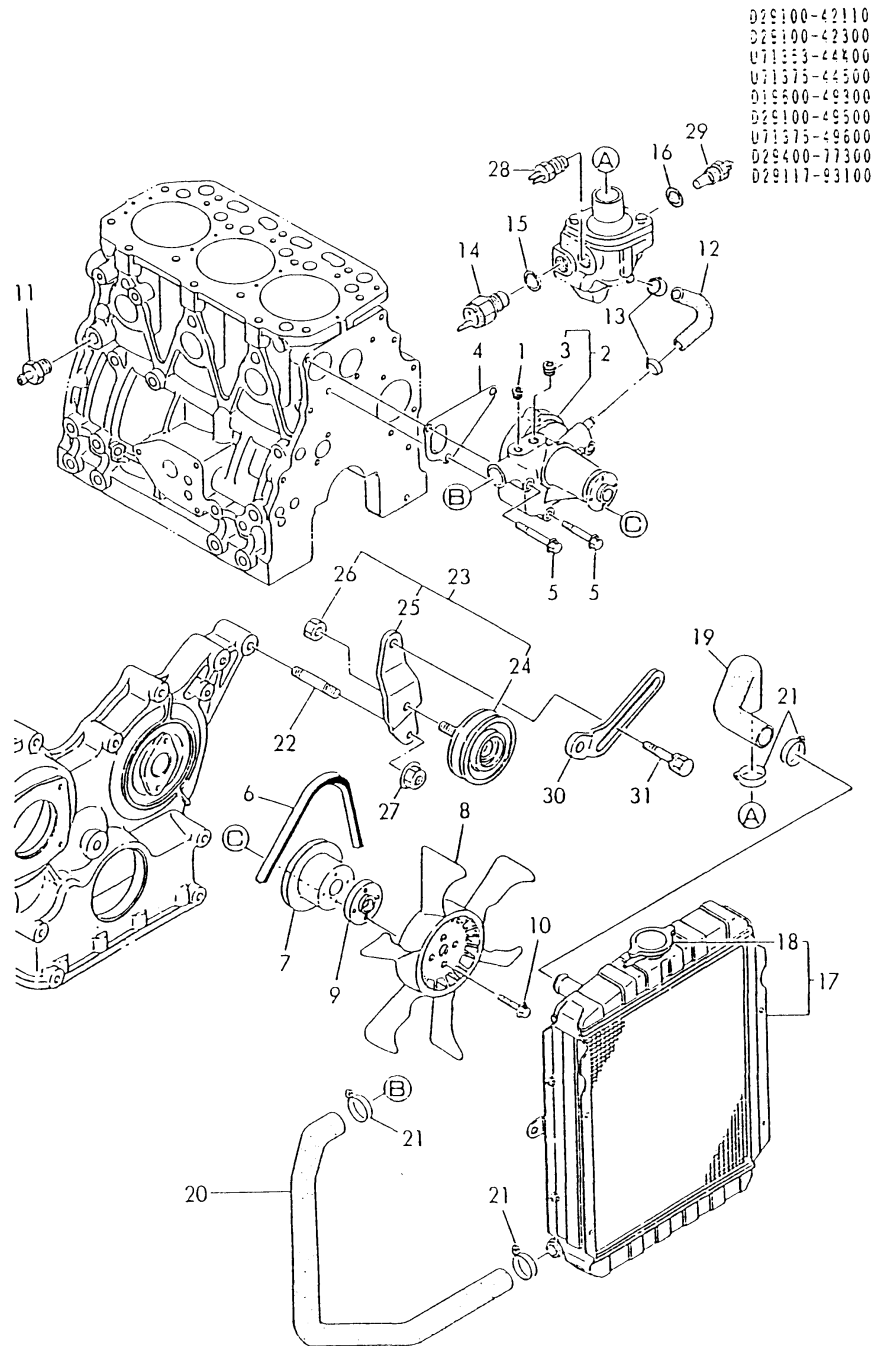
(D)=

(E)=

(F)=

No.	Lev.	Parts No.	Description	Q'ty						I	R
				(A)	(B)	(C)	(D)	(E)	(F)		
1	1	129150-32000	PUMP ASSY, OIL	1							
2	1	129150-32020	GASKET, PUMP	1							
3	1	26450-060252	BOLT, M6X 25	4							
4	1	121520-34810	GUIDE, DIPSTICK	1							
5	1	171420-34820	DIPSTICK, OIL	1							
6	1	129150-35040	GASKET	1							
6-1	1	129150-35041	GASKET	1							N
		(A=E06104)									
7	1	129100-35300	PIPE ASSY, OIL INLET	1							
7-1	1	129100-35301	PIPE ASSY, OIL INLET	1							N
		(A=E06055)									
8	1	26116-080352	BOLT, M8X 35 PLATED	2							
8-1	1	26106-080352	BOLT, M8X 35 PLATED	2							N
		(A=E06055)									
9	1	171375-35100	BRACKET, STRAINER	1							
10	1	129150-35110	GASKET	1							
10-1	1	129150-35111	GASKET	1							N
		(A=E06104)									
11	1	129150-35150	FILTER 90X80L	1							
12	1	119865-35300	VALVE ASSY, CONTROL	1							
13	1	129150-35350	NUT	1							
14	1	24311-000160	O-RING, 1AP16.0	1							
15	1	26106-080202	BOLT, M8X 20 PLATED	3							
16	1	124160-39140	BOLT, PIPE JOINT M10	1							
17	1	124160-39450	SWITCH, 0.5KG	1							
18	1	129150-39450	PIPE ASSY, OIL	1							
19	1	124550-59820	BOLT, PIPE JOINT M8	1							
20	1	23414-080000	GASKET, 8X1.0	2							
21	1	23414-100000	GASKET, 10X1.0	2							
22	1	171375-39600	DAMPER ASSY	1							
23	2	129470-39610	DAMPER	1							
24	2	23161-020100	BUSH, R1/4X1/8	1							
25	1	144626-91560	SENSOR	1							
26	1	124250-49351	SENSOR	1							
27	1	129150-49360	GASKET	1							

Fig.9. COOLING WATER SYSTEM



No.	Lev.	Parts No.	Description	Q'ty						I	R
				(A)	(B)	(C)	(D)	(E)	(F)		
1	1	121850-11860	PLUG, PT1/4	1							
2	1	129100-42001	PUMP ASSY, WATER	1							
2-1	1	129100-42002	PUMP ASSY, WATER	1							N
(A=E06104)											
3	2	23871-030000	PLUG, R03	1							
4	1	129100-42020	GASKET, WATER PUMP	1							
5	1	26106-080602	BOLT, M8X 60 PLATED	3							
6	1	124732-42290	V-BELT, AX37	1							
7	1	129403-42380	V-PULLEY, D=110	1							
8	1	171340-44740	FAN, COOLING D335XNF	1							
9	1	171353-44760	SPACER, FAN	1							
10	1	26106-060352	BOLT, M6X 35 PLATED	4							
11	1	121550-49111	JOINT, PT1/4	1							
12	1	129100-49050	PIPE, WATER	1							
13	1	23000-016000	CLAMP, 16	2							
14	1	121250-44901	SWITCH, 110	1							
15	1	124465-44950	GASKET, 16	1							
16	1	124465-44950	GASKET, 16	1							
17	1	171440-44500	RADIATOR	1							
18	2	124450-44590	CAP, RADIATOR	1							
19	1	171301-49010	PIPE, WATER	1							
20	1	171301-49020	PIPE, WATER	1							
21	1	23010-038000	CLAMP, 38	4							
22	1	121450-01570	STUD	1							
23	1	171375-44300	PULLEY ASSY, TENSION	1							
24	2	171011-44301	PULLEY, TENSION	1							
25	2	171375-44320	BRACKET, PULLEY	1							
26	2	26706-100002	NUT, M10	1							
27	1	26366-100002	NUT, M10	1							
28	1	171375-44900	SWITCH, 15	1							
29	1	171375-44910	SENSOR	1							
30	1	129400-77330	ADJUSTER	1							
31	1	26014-080252	BOLT, M8X 25	1							

Fig.10. THERMOSTAT

(A)=3TN78L-RMCD

(B)=

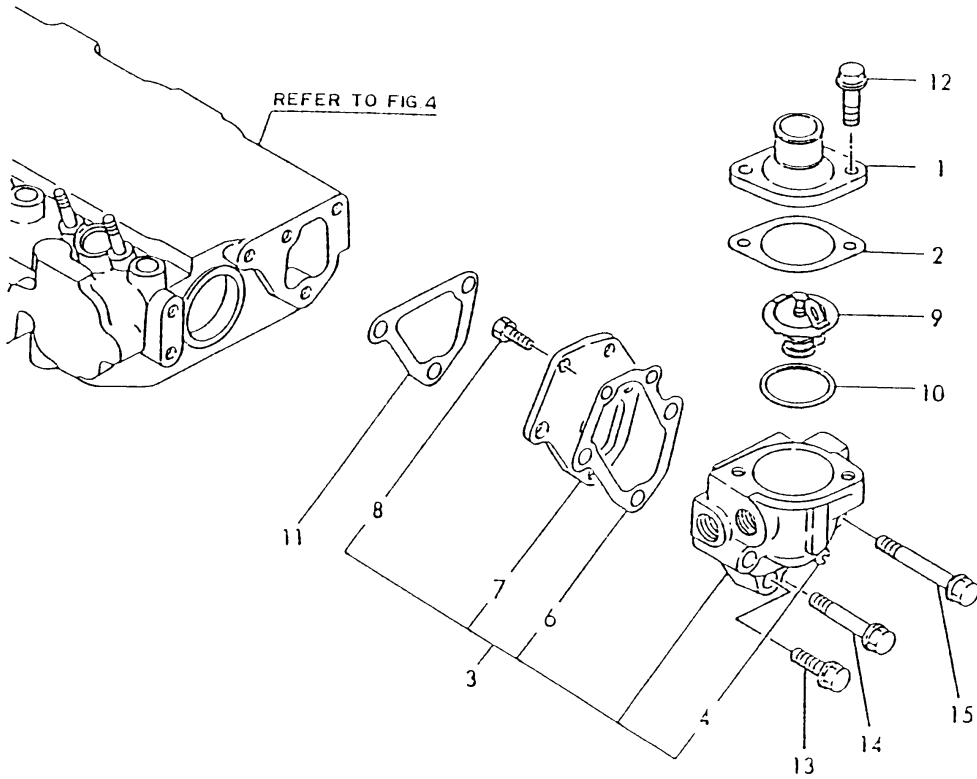
(C)=

(D)=

(E)=

(F)=

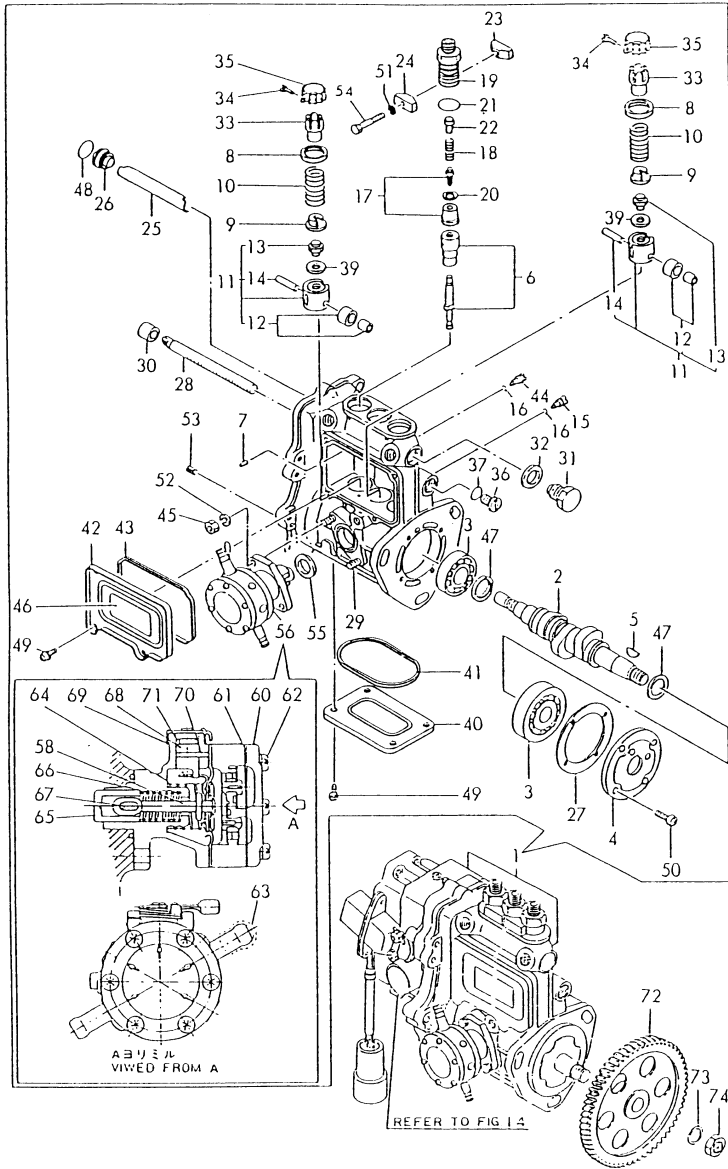
U71171-49200



No.	Lev.	Parts No.	Description	Q'ty						I	R
				(A)	(B)	(C)	(D)	(E)	(F)		
1	1	129350-49530	COVER, THERMOSTAT	1							
2	1	129795-49550	GASKET	1							
2-1	1	129795-49551	GASKET	1							N
(A=E06104)											
3	1	171375-49800	CASE ASSY,THERMOSTAT	1							
4	2	124770-11770	JOINT, PIPE PT1/8	1							
6	2	129100-49820	GASKET	1							
7	2	129100-49830	COVER, THERMOSTAT	1							
8	2	26116-060162	BOLT, M6X 16 PLATED	2							
9	1	129155-49800	THERMOSTAT, 71	1							
10	1	129150-49810	GASKET, THERMOSTAT	1							
10-1	1	129150-49811	GASKET, THERMOSTAT	1							N
(A=E06104)											
11	1	129100-49840	GASKET	1							
12	1	26106-080202	BOLT, M8X 20 PLATED	2							
13	1	26106-080252	BOLT, M8X 25 PLATED	1							
14	1	26106-080502	BOLT, M8X 50 PLATED	1							
15	1	26106-080602	BOLT, M8X 60 PLATED	1							

Fig.11. FUEL INJECTION PUMP

029100-25200
729117-51250



(A)=3TN78L-RMCD

(B)=

(C)=

(D)=

(E)=

(F)=

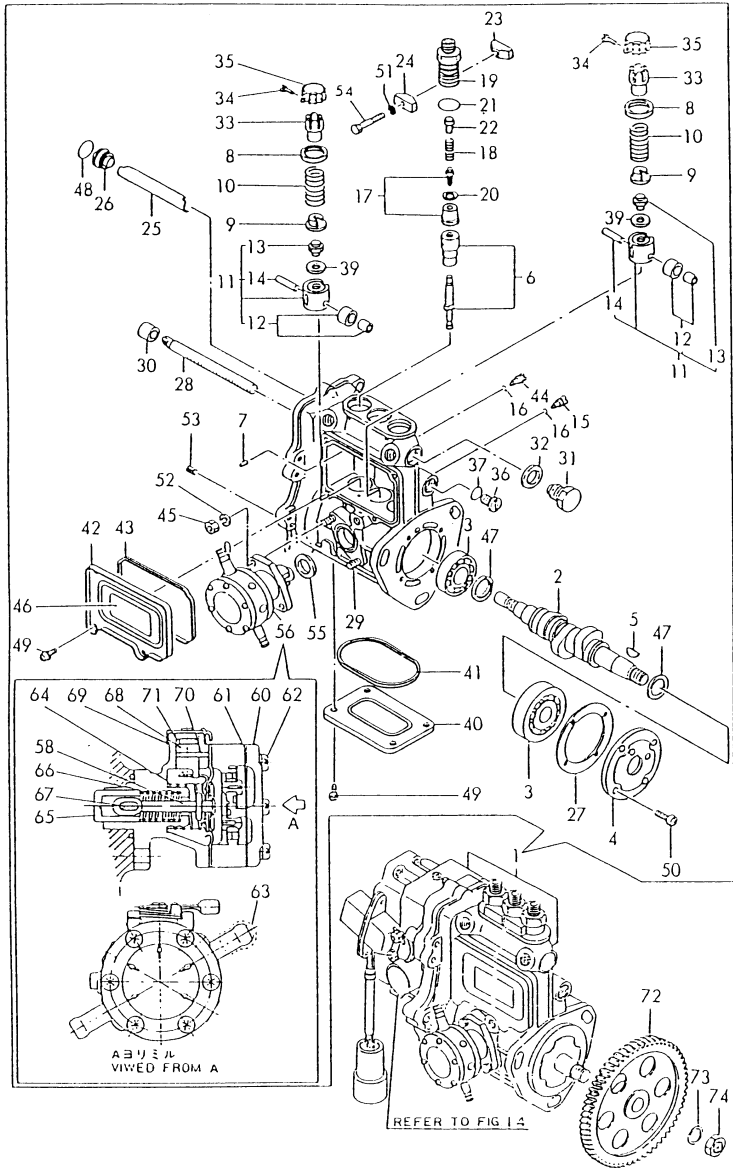
No.	Lev.	Parts No.	Description	Q'ty						I	R
				(A)	(B)	(C)	(D)	(E)	(F)		
1	1	729117-51250	PUMP ASSY, INJECTION	1							1
2	2	119810-51040	CAMSHAFT	1							
3	2	122710-51050	BEARING, HR30203J	2							
4	2	129470-51060	RETAINER, BEARING	1							
5	2	122710-51090	KEY	1							
6	2	129400-51200	PLUNGER ASSY	3							
7	2	129155-51140	PIN	3							
8	2	174307-51170	RETAINER, SPRING A	3							
9	2	129155-51180	RETAINER, SPRING	3							
10	2	124950-51190	SPRING, PLUNGER	3							
11	2	129155-51200	TAPPET ASSY	3							
12	3	711100-51540	ROLLER ASSY	3							
13	3	129155-51250	BOLT, ADJUSTING	3							
14	3	174100-54120	PIN	3							
15	2	129155-51270	STOPPER, TAPPET	3							
16	2	129155-51280	O-RING, S6	4							
16-1	2	129155-51280	O-RING, S6	3							K
(A=EXXX)											
17	2	128170-51300	VALVE ASSY, DELIVERY	3							
18	2	129155-51320	SPRING, DELIVERY	3							
19	2	129155-51340	RETAINER	3							
20	2	124550-51350	GASKET, DELIVERY	3							
21	2	124550-51370	O-RING	3							
22	2	129155-51370	STOPPER, VALVE	3							
23	2	129155-51380	STOPPER	2							
24	2	129155-51390	STOPPER	2							
25	2	129155-51400	DEFLECTOR	1							
26	2	129155-51410	BOLT	1							
27	2	129155-51450	SHIM SET, ADJUSTING	1							
28	2	129155-51500	RACK, CONTROL	1							
29	2	129155-51020	STUD	2							
30	2	129155-51521	BUSH, RACK	1							
31	2	129155-51420	PLUG, M16	1							
32	2	43400-500490	SEAL WASHER 16	1							
33	2	129155-51550	PINION, CONTROL	3							
34	2	122117-51560	SCREW	3							
35	2	174307-51560	PINION	3							
36	2	129155-51570	PLUG, M12	1							
37	2	129155-51580	O-RING	1							
39	2	129155-51600	SHIM SET, ADJUSTING	3							
40	2	129155-51700	COVER	1							
41	2	129155-51710	GASKET	1							
42	2	129155-51750	COVER	1							
43	2	129155-51760	GASKET	1							
44	2	129155-51790	STOPPER, RACK	1							
45	2	26716-060002	NUT, M6	2							
46	2	129156-51910	LABEL, CAUTION	1							
47	2	129470-51080	SEAL, AF0741F0	2							
47-1	2	129470-51080	SEAL, AF0741F0	1							K
(A=EXXX)											
48	2	24341-000160	O-RING, 1AS16.0	1							

Remarks

(1) GOVERNOR ASSY(FIG.NO.14)IS INCORPORATED IN THIS FUEL INJECTION PUMP ASSY(REF.NO.1).

Fig.11. FUEL INJECTION PUMP

029100-25200
725117-51250



(A)=3TN78L-RMCD

(B)=

(C)=

(D)=

(E)=

(F)=

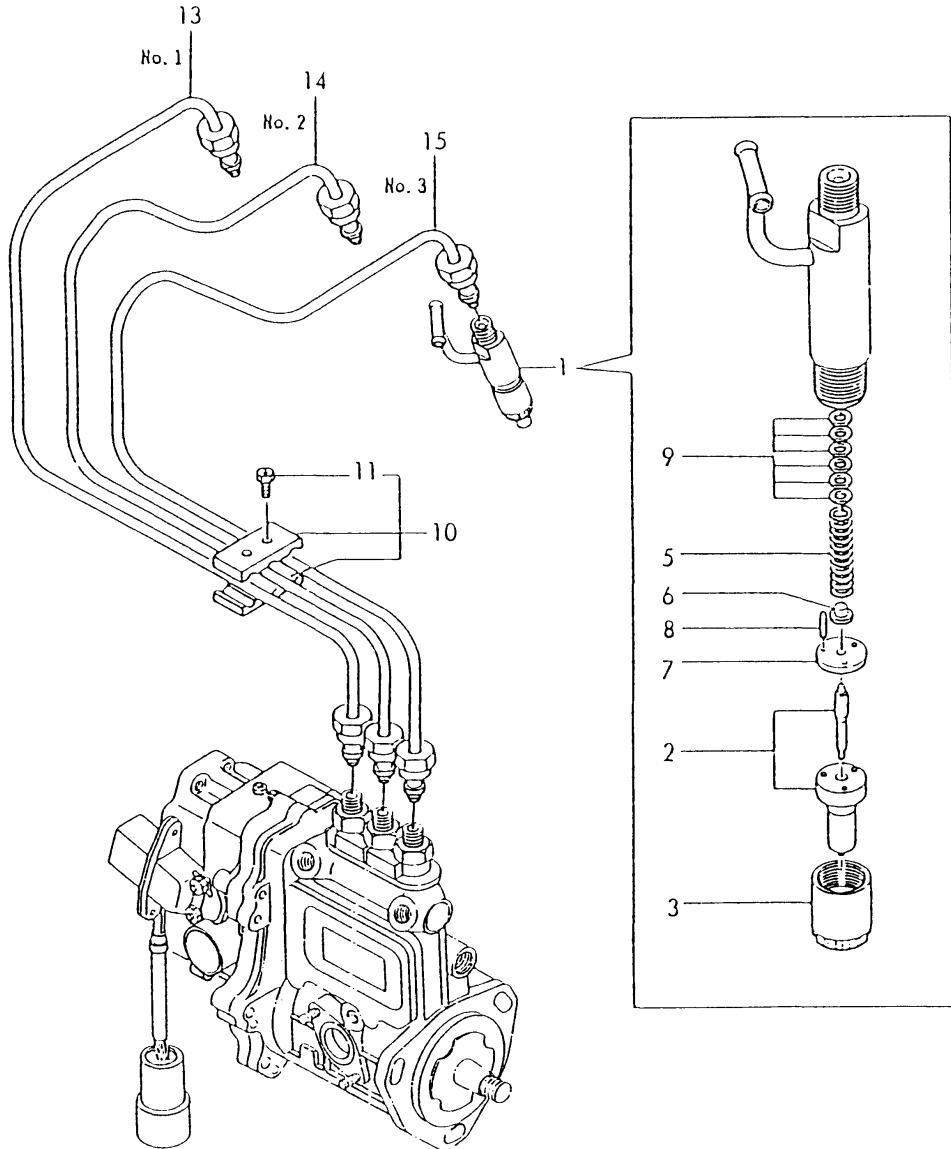
No.	Lev.	Parts No.	Description	Q'ty						I	R
				(A)	(B)	(C)	(D)	(E)	(F)		
49	2	26022-050102	SCREW, M5X10	8							
50	2	26022-060162	SCREW, M6X16	4							
51	2	22217-050000	WASHER, SPRING 5	2							Z
(A=EXXX)											
52	2	22217-060000	WASHER, SPRING 6	2							
53	2	22351-050010	PIN, SPRING 5.0X10	2							
54	2	26116-050309	BOLT M 5X 30 PLATED	2							
54-1	2	26116-050302	BOLT, M5X 30 PLATED	2							N
(A=EXXX)											
55	2	129155-52050	GASKET	1							
56	2	129100-52100	PUMP ASSY, FUEL FEED	1							
58	3	129158-52020	DIAPHRAGM	1							
60	3	129158-52060	COVER	1							
61	3	129158-52070	GASKET	1							
62	3	129158-52080	SCREW	6							
63	3	129158-52090	CAP	2							
64	3	129158-52160	SPRING	1							
65	3	129158-52250	TAPPET	1							
66	3	129158-52260	SPRING	1							
67	3	129158-52270	PIN	1							
68	3	129158-52350	LEVER	1							
69	3	129158-52360	SPRING, RETURN	1							
70	3	129158-52370	PIN	1							
71	3	129158-52380	O-RING	1							
72	1	129100-25900	GEAR, PUMP	1							
73	1	22217-120000	WASHER, SPRING 12	1							
74	1	26716-120002	NUT, M12	1							

Remarks

(1) GOVERNOR ASSY(FIG.NO.14)IS INCORPORATED IN THIS FUEL INJECTION PUMP ASSY(REF.NO.1).

Fig.12. FUEL INJECTION PIPE

02:100-3100
02:160-3100



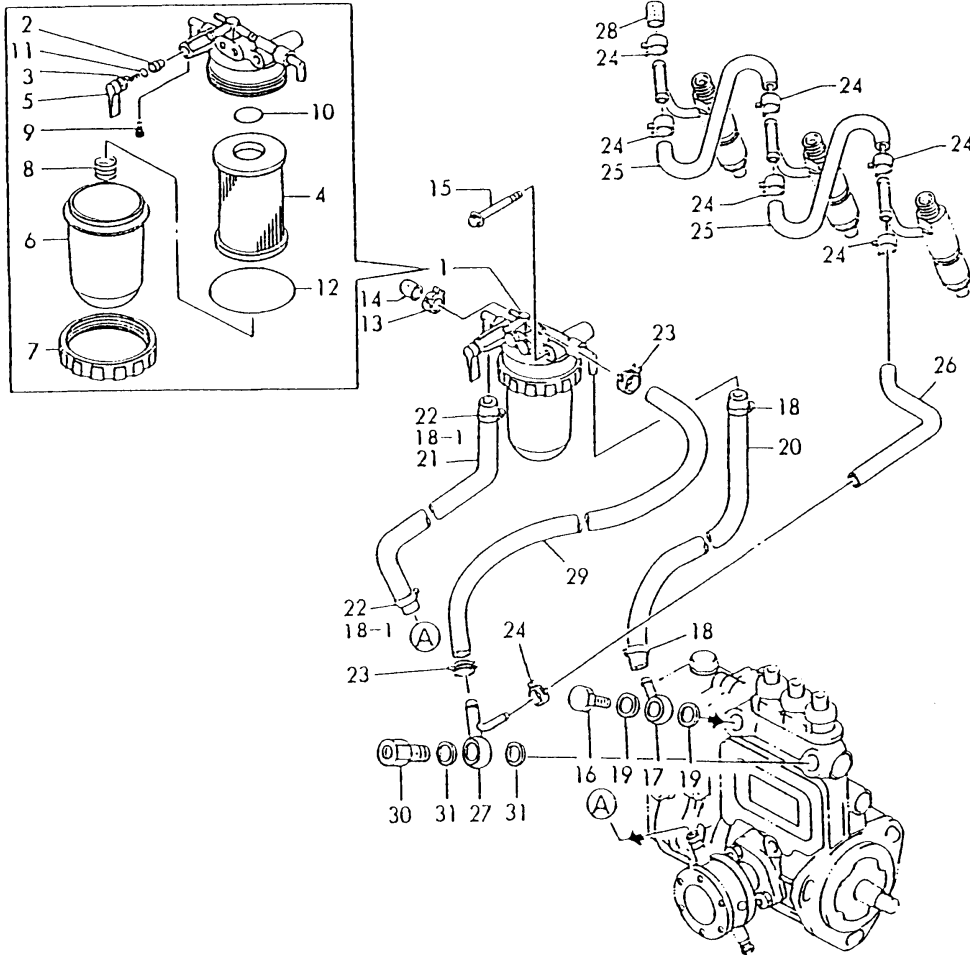
(A)=3TN78L-RMCD
(B)=
(C)=

(D)=
(E)=
(F)=

No.	Lev.	Parts No.	Description	Q'ty						I	R
				(A)	(B)	(C)	(D)	(E)	(F)		
1	1	729100-53100	VALVE ASSY,INJECTION	3							
2	2	129100-53000	VALVE ASSY,INJECTION	3							
3	2	114250-53080	NUT, NOZZLE D16.95	3							
5	2	114250-53120	SPRING, NOZZLE	3							
6	2	114250-53130	SEAT, SPRING	3							
7	2	114250-53140	PLATE	3							
8	2	114250-53210	PIN	6							
9	2	114250-53400	SHIM SET	3							
10	1	129150-59120	RETAINER, PIPE	1							
11	2	129150-59130	BOLT, M4X12	2							
13	1	129100-59810	PIPE ASSY, INJECTION	1							
14	1	129100-59820	PIPE ASSY, INJECTION	1							
15	1	129100-59830	PIPE ASSY, INJECTION	1							

Fig.13. FUEL LINE

029100-55112
 029100-59211
 029100-59302



(A)=3TN78L-RMCD

(B)=

(C)=

(D)=

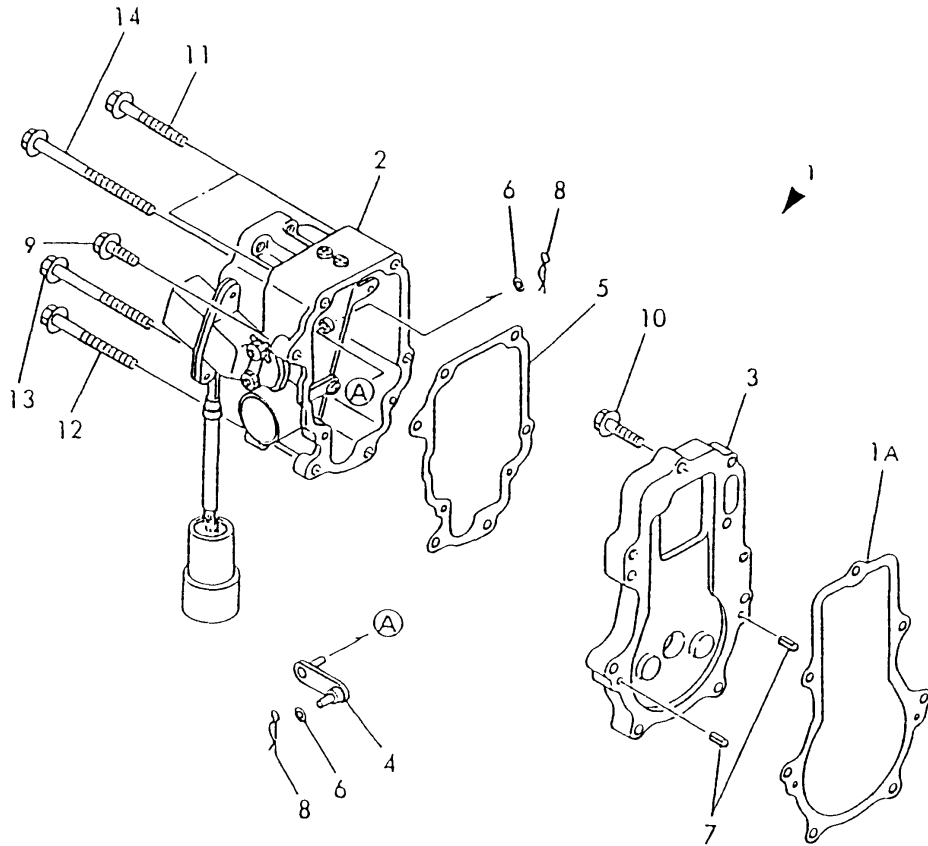
(E)=

(F)=

No.	Lev.	Parts No.	Description	Q'ty						I	R
				(A)	(B)	(C)	(D)	(E)	(F)		
1	1	129100-55621	FILTER ASSY, FUEL	1							
2	2	104200-55321	VALVE, TAPER	1							
3	2	104200-55330	SPRING, VALVE	1							
4	2	129100-55650	ELEMENT	1							
5	2	129100-55670	LEVER	1							
6	2	129100-55680	CUP, STRAINER	1							
7	2	129100-55690	RING, RETAINING	1							
8	2	129100-55700	SPRING	1							
9	2	104200-55750	SCREW, M4	1							
10	2	24311-000160	O-RING, 1AP16.0	1							
11	2	24311-240100	O-RING, 1AP10A	1							
12	2	24321-000650	O-RING, 1AG65.0	1							
13	1	124066-59100	CLIP, HOSE 8	1							
14	1	129150-59580	CAP	1							
15	1	26014-080702	BOLT, M8X 70	1							
16	1	103854-39140	BOLT, PIPE JOINT	1							
17	1	101304-59020	JOINT, PIPE 12	1							
18	1	124766-59050	CLIP, HOSE 12	2							
18-1	1	124766-59050	CLIP, HOSE 12	4							K
		(A=E06183)									
19	1	104200-59170	GASKET, 12	2							
20	1	129555-59510	PIPE, D13/7.5X180	1							
21	1	129255-59580	PIPE, FUEL	1							
21-1	1	105025-59530	PIPE, FUEL D13X400	1							N
		(A=E06183)									
22	1	23000-013000	CLAMP, 13	2							Z
		(A=E06183)									
23	1	124766-59050	CLIP, HOSE 12	2							
24	1	124066-59100	CLIP, HOSE 8	7							
25	1	121250-59550	PIPE, FUEL D8X120	2							
26	1	119840-59560	PIPE, FUEL RETURN	1							
27	1	119840-59570	JOINT	1							
28	1	129150-59580	CAP	1							
29	1	129255-59580	PIPE, FUEL	1							
29-1	1	105025-59750	PIPE, FUEL	1							R
		(A=E06183)									
30	1	129100-59951	VALVE ASSY, CHECK	1							
31	1	23414-120000	GASKET, 12X1.0	2							

Fig.14. GOVERNOR

729117-51250



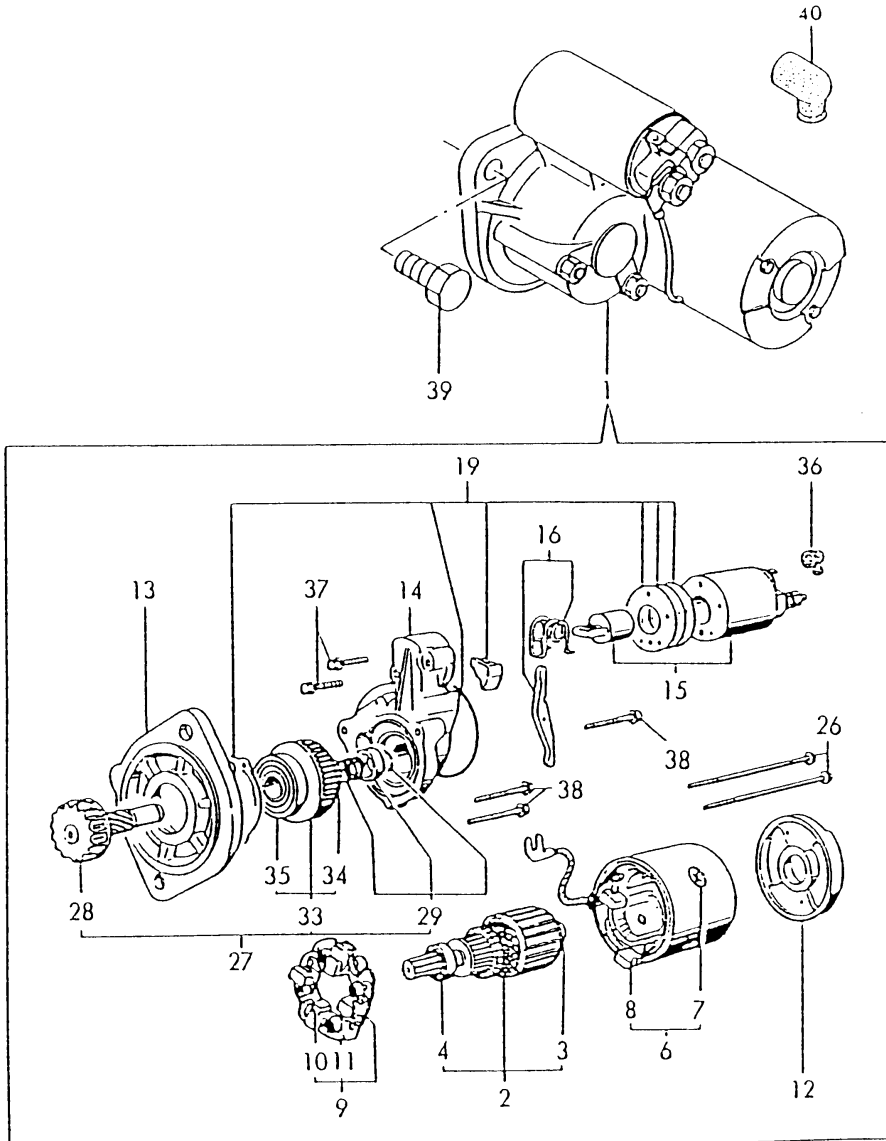
(A)=3TN78L-RMCD
(B)=
(C)=

(D)=
(E)=
(F)=

No.	Lev.	Parts No.	Description	Q'ty						I	R
				(A)	(B)	(C)	(D)	(E)	(F)		
1	1	129116-61000	ACTUATOR ASSY	1							W
		(A=EXXX)									
1A	2	129116-61050	GASKET	1							
1A-1	2	129116-61051	GASKET	1							R
		(A=*1991.07)									
2	2	119649-61100	ACTUATOR	1							
3	2	129116-61110	SPACER	1							
4	2	129116-61120	LINK	1							
5	2	119649-61150	GASKET	1							
5-1	2	119649-61151	GASKET	1							N
		(A=*1991.07)									
6	2	22117-040000	WASHER, 4	2							
7	2	22351-040010	PIN, SPRING 4.0X10	2							
8	2	22360-050000	SNAP PIN 5	2							
9	2	26106-060202	BOLT, M6X 20 PLATED	1							
10	2	26106-060222	BOLT, M6X 22 PLATED	7							
11	2	26106-060452	BOLT, M6X 45 PLATED	2							
12	2	26106-060602	BOLT, M6X 60 PLATED	1							
13	2	26106-060702	BOLT, M6X 70 PLATED	1							
14	2	26106-060852	BOLT, M6X 85 PLATED	1							

Fig.15. STARTING MOTOR

D29100-77100
D29117-95100



(A)=3TN78L-RMCD

(B)=

(C)=

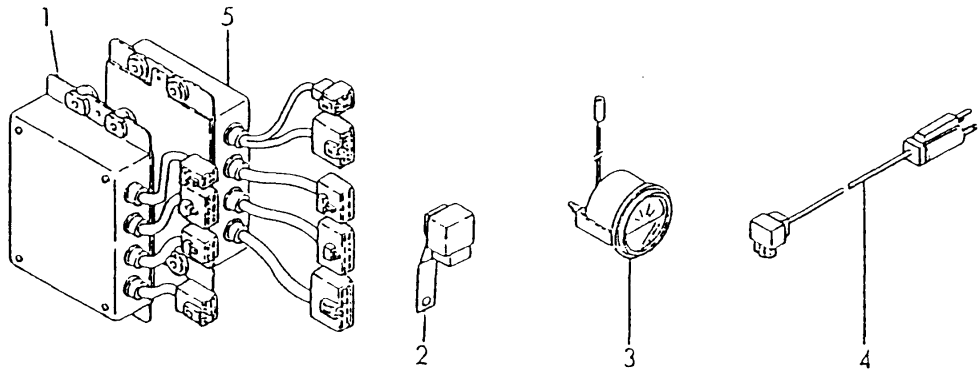
(D)=

(E)=

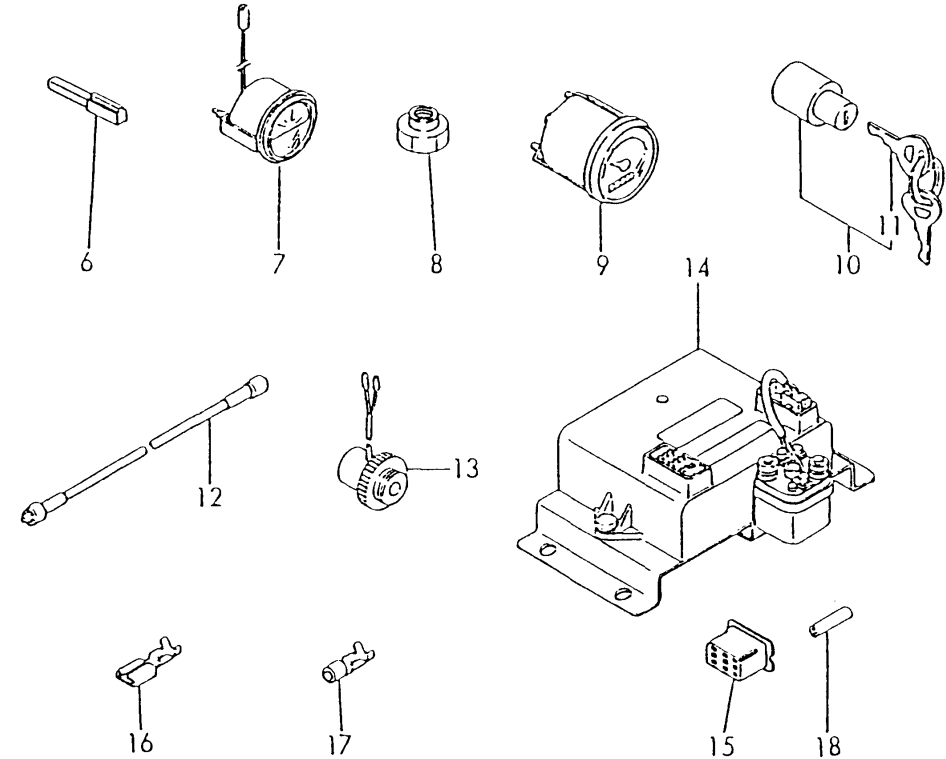
(F)=

No.	Lev.	Parts No.	Description	Q'ty						I	R
				(A)	(B)	(C)	(D)	(E)	(F)		
1	1	171008-77010	STARTER, S114-483	1							
2	2	171008-77400	ARMATURE ASSY	1							
3	3	171008-77410	BEARING(1)	1							
4	3	171008-77420	BEARING(2)	1							
6	2	171008-77440	COIL ASSY, FIELD	1							
7	3	171008-77450	SCREW	4							
8	3	171008-77460	BRUSH (+)	2							
9	2	171008-77470	HOLDER ASSY, BRUSH	1							
10	3	171008-77480	BRUSH (-)	2							
11	3	171008-77490	SPRING, BRUSH	4							
12	2	171008-77500	COVER, REAR	1							
13	2	171008-77510	HOUSING ASSY, GEAR	1							
14	2	171008-77520	HOUSING, CENTER	1							
15	2	171008-77530	SWITCH, MAGNETIC	1							
16	2	171008-77540	LEVER SET, SHIFT	1							
19	2	171008-77570	COVER SET, DUST	1							
19-1	2	171008-77571	DUST COVER, (NON-ASB.	1							N
(A=E06151)											
26	2	171008-77640	BOLT, THROUGH	2							
27	2	171008-77650	PINION ASSY	1							
28	3	171008-77660	SHAFT, PINION	1							
29	3	171008-77670	STOPPER SET, PINION	1							
33	3	171008-77720	CLUTCH ASSY	1							
34	4	171008-77730	BALL BEARING (3)	1							
35	4	171008-77740	BALL BEARING (4)	1							
36	2	171008-77750	COVER, M TERMINAL	1							
37	2	26106-060322	BOLT, M6X 32 PLATED	2							
38	2	26106-060402	BOLT, M6X 40 PLATED	3							
39	1	26116-120252	BOLT, M12X 25 PLATED	2							
40	1	124550-77030	COVER, TERMINAL	1							

Fig.16. ELECTRIC PART



029117-78800
029117-83100



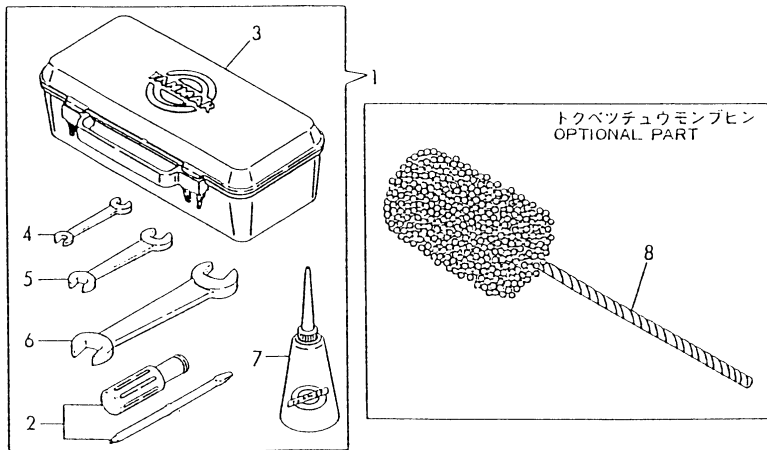
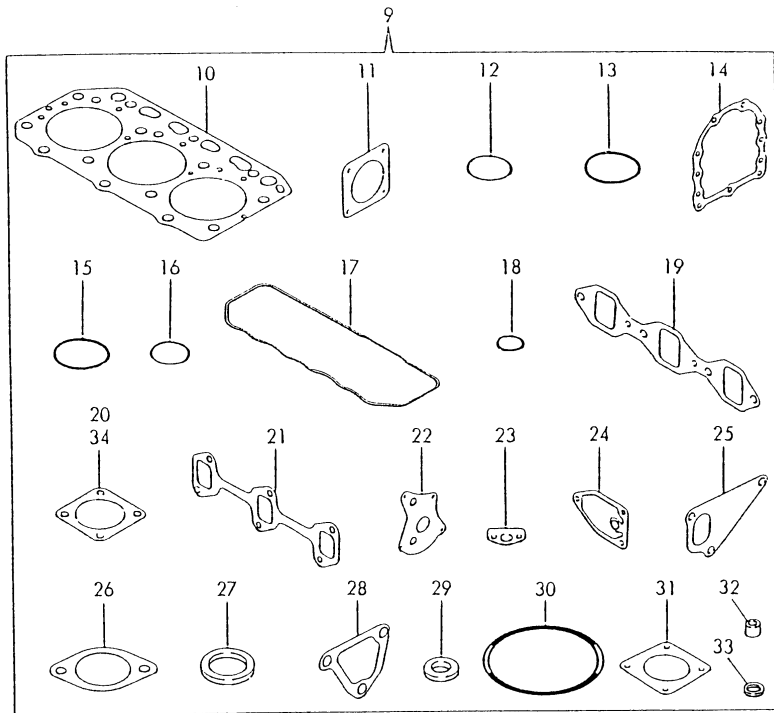
(A)=3TN78L-RMCD
(B)=
(C)=

(D)=
(E)=
(F)=

No.	Lev.	Parts No.	Description	Q'ty						I	R
				(A)	(B)	(C)	(D)	(E)	(F)		
1	1	129117-78800	CONTROLLER, MAIN 2P	1							
2	1	119649-78850	RELAY, POWER	1							
3	1	171010-77850	THERMOSTAT	2							
4	1	171015-77910	CORD, HEATER	1							
5	1	129117-78810	CONTROLLER, SUB	1							
6	1	171011-91011	PIN	1							
7	1	171090-91010	GAUGE	1							
8	1	171011-91020	JOINT	1							
9	1	171014-91101	TACHOMETER	1							
10	1	121400-91251	SWITCH, STARTER	1							
11	2	121400-91270	KEY	2							
12	1	41690-501360	CABLE, TACHOMETER	1							
13	1	46111-800300	TRANSMITTER	1							
14	1	46120-800500	RELAY, SPEED	1							
15	1	46150-803610	COUPLER	1							
16	1	46150-803620	TERMINAL	8							
17	1	46150-803670	TERMINAL	2							
18	1	46150-803680	SLEEVE	2							

Fig.17. TOOL & GASKET SET

029117-33100



Remarks
 (1)OPTIONAL PART.
 (M)MISPRINT.

(A)=3TN78L-RMCD
 (B)=
 (C)=

(D)=
 (E)=
 (F)=

No.	Lev.	Parts No.	Description	Q'ty						I	R
				(A)	(B)	(C)	(D)	(E)	(F)		
1	1	171001-93100	BOX, TOOL	1							
2	2	104200-92350	DRIVER, SCREW	1							
3	2	104200-92600	BOX, TOOL	1							
4	2	28110-100120	SPANNER, 10X12	1							
5	2	28110-140170	SPANNER, 14X17	1							
6	2	28110-190220	SPANNER, 19X22	1							
7	2	28210-000140	OILER	1							
8	1	129400-92420	FLEX HORN	1							1
9	1	729100-92601	GASKET SET	1							1
9-1	1	729100-92602	GASKET SET	1							N 1
		(A=E06104)									
10	2	129100-01330	GASKET, HEAD T=1.4	1							
11	2	124240-01882	GASKET	1							
11-1	2	124240-01883	GASKET	1							R
		(A=E06104)									
12	2	121850-51960	O-RING	1							
13	2	24311-000320	O-RING, 1AP32.0	1							
14	2	129150-01660	GASKET	1							Z
		(A=E06104)									
15	2	24341-000500	O-RING, 1AS50.0	1							
16	2	24311-000320	O-RING, 1AP32.0	1							
17	2	129150-11310	GASKET, BONNET	1							
18	2	24311-000120	O-RING, 1AP12.0	3							
19	2	129150-12110	GASKET, MANIFOLD	1							
19-1	2	129150-12111	GASKET, MANIFOLD	1							N
		(A=E06104)									
20	2	124701-11910	GASKET, SILENCER	1							
20-1	2	124701-11911	GASKET, SILENCER	1							N
		(A=E06104)									
21	2	129150-13110	GASKET	1							
22	2	129150-32020	GASKET, PUMP	1							
23	2	129150-35040	GASKET	1							
23-1	2	129150-35041	GASKET	1							N
		(A=E06104)									
24	2	129150-35110	GASKET	1							
24-1	2	129150-35111	GASKET	1							N
		(A=E06104)									
25	2	129150-42020	GASKET, WATER PUMP	1							M
25-1	2	129100-42020	GASKET, WATER PUMP	1							
26	2	129795-49550	GASKET	1							
26-1	2	129795-49551	GASKET	1							N
		(A=E06104)									
27	2	129150-49810	GASKET, THERMOSTAT	1							
27-1	2	129150-49811	GASKET, THERMOSTAT	1							N
		(A=E06104)									
28	2	129100-49840	GASKET	1							
29	2	124465-44950	GASKET, 16	2							
30	2	24321-000650	O-RING, 1AG65.0	1							
31	2	129150-77510	GASKET	1							
31-1	2	129150-77511	GASKET	1							N
		(A=E06104)									

Parts No. Index

Parts No.	Fig. No.	Ref. No.
101304-59020	13	17
103338-11190	4	12
103854-39140	13	16
104200-55321	13	2
104200-55330	13	3
104200-55750	13	9
104200-59170	13	19
104200-92350	17	2
104200-92600	17	3
105025-59530	13	21 -1
105025-59750	13	29 -1
114250-53080	12	3
114250-53120	12	5
114250-53130	12	6
114250-53140	12	7
114250-53210	12	8
114250-53400	12	9
119620-01750	3	3
119625-11870	4	31
	17	32
119625-11880	4	32
	17	33
119625-11900	4	33
119649-61100	14	2
119649-61150	14	5
119649-61151	14	5 -1
119649-78500	2	23
119649-78650	7	38
119649-78850	16	2
119810-51040	11	2
119840-59560	13	26
119840-59570	13	27
119865-21600	7	13
119865-35300	8	12
120130-11860	4	36
121100-22400	7	22
121111-21501	7	10
121250-44901	9	14
121250-59550	13	25
121400-11340	4	13
121400-91251	16	10
121400-91270	16	11
121450-01560	2	4
121450-01570	9	22
121520-34810	8	4
121550-23200	7	32
121550-49111	9	11
121850-11860	4	3
	9	1
121850-21680	7	9

Parts No.	Fig. No.	Ref. No.
121850-51960	2	9
	17	12
122117-51560	11	34
122710-51050	11	3
122710-51090	11	5
124066-59100	13	13
		24
124160-01751	2	5
	4	54
124160-01910	1	3
124160-11360	4	52
124160-39140	8	16
124160-39450	8	17
124240-01871	2	6
124240-01882	2	7
	17	11
124240-01883	2	7 -1
	17	11 -1
124250-49351	8	26
124450-11900	5	9
	17	34
124450-44590	9	18
124460-11340	4	14
124465-44950	9	15
		16
	17	29
124550-51350	11	20
124550-51370	11	21
124550-59820	8	19
124550-77030	15	40
124701-11910	5	26
	17	20
124701-11911	5	26 -1
	17	20 -1
124732-42290	9	6
124736-07900	4	40
124766-59050	13	18
		18 -1
		23
124770-11770	10	4
124950-51190	11	10
128170-51300	11	17
129100-01330	1	15
	17	10
129100-01580	3	1
		15
	7	6 A
		14
129100-01640	3	16
129100-01730	3	10

Parts No.	Fig. No.	Ref. No.
129100-01770	3	6 -1
129100-01790	3	8
129100-11100	4	8
129100-11130	4	9
129100-11350	4	42 -1
129100-13110	5	10
129100-23910	7	37
129100-25061	6	6
129100-25900	11	72
129100-35300	8	7
129100-35301	8	7 -1
129100-42001	9	2
129100-42002	9	2 -1
129100-42020	9	4
	17	25 -1
129100-49050	9	12
129100-49820	10	6
129100-49830	10	7
129100-49840	10	11
	17	28
129100-52100	11	56
129100-53000	12	2
129100-55621	13	1
129100-55650	13	4
129100-55670	13	5
129100-55680	13	6
129100-55690	13	7
129100-55700	13	8
129100-59810	12	13
129100-59820	12	14
129100-59830	12	15
129100-59951	13	30
129100-77500	5	23
129116-21650	7	7
129116-61000	14	1
129116-61050	14	1 A
129116-61051	14	1 A-1
129116-61110	14	3
129116-61120	14	4
129116-78510	2	24
129117-01980	1	18
129117-78800	16	1
129117-78810	16	5
129129-14580	6	1
129150-01200	1	14
129150-01660	3	18
	17	14
129150-02020	1	8
129150-02450	1	12
	6	1 B

Parts No.	Fig. No.	Ref. No.
129150-02800	1	9
129150-02870	1	16
129150-02930	1	10
129150-02940	1	17
129150-03020	4	47
129150-03070	4	49
129150-03080	4	48
129150-03090	4	39
129150-03100	2	33
	4	38
129150-11230	4	29
129150-11280	4	22
129150-11290	4	23
129150-11310	4	46
	17	17
129150-11370	4	15
129150-11750	4	28
129150-11810	4	37
129150-12100	5	6
129150-12110	5	7
	17	19
129150-12111	5	7 -1
	17	19 -1
129150-13110	5	11
	17	21
129150-14101	6	2
129150-14200	6	4
129150-14400	6	5
129150-21200	7	3
129150-22300	7	21
129150-23600	7	33
129150-23610	7	35
129150-25101	6	7
129150-32000	8	1
129150-32020	8	2
	17	22
129150-35040	8	6
	17	23
129150-35041	8	6 -1
	17	23 -1
129150-35110	8	10
	17	24
129150-35111	8	10 -1
	17	24 -1
129150-35150	8	11
129150-35350	8	13
129150-39450	8	18
129150-42020	17	25
129150-49360	8	27
129150-49810	10	10

Parts No. Index

Parts No.	Fig. No.	Ref. No.
129150-49810	17	27
129150-49811	10	10 -1
	17	27 -1
129150-59120	12	10
129150-59130	12	11
129150-59580	13	14
		28
129150-77510	5	24
	17	31
129150-77511	5	24 -1
	17	31 -1
129150-91400	2	29
129155-11241	4	19
129155-11260	4	20
129155-11270	4	21
129155-49800	10	9
129155-51020	11	29
129155-51140	11	7
129155-51180	11	9
129155-51200	11	11
129155-51250	11	13
129155-51270	11	15
129155-51280	11	16
		16 -1
129155-51320	11	18
129155-51340	11	19
129155-51370	11	22
129155-51380	11	23
129155-51390	11	24
129155-51400	11	25
129155-51410	11	26
129155-51420	11	31
129155-51450	11	27
129155-51500	11	28
129155-51521	11	30
129155-51550	11	33
129155-51570	11	36
129155-51580	11	37
129155-51600	11	39
129155-51700	11	40
129155-51710	11	41
129155-51750	11	42
129155-51760	11	43
129155-51790	11	44
129155-52050	11	55
129156-51910	11	46
129158-52020	11	58
129158-52060	11	60
129158-52070	11	61
129158-52080	11	62

Parts No.	Fig. No.	Ref. No.
129158-52090	11	63
129158-52160	11	64
129158-52250	11	65
129158-52260	11	66
129158-52270	11	67
129158-52350	11	68
129158-52360	11	69
129158-52370	11	70
129158-52380	11	71
129255-59580	13	21
		29
129350-49530	10	1
129400-01520	2	3
129400-01590	2	1
129400-11080	4	17
129400-11090	4	18
129400-51200	11	6
129400-77330	9	30
129400-92420	17	8
129403-22090	7	15
129403-42380	9	7
129470-11080	4	17 -1
129470-11090	4	18 -1
129470-12200	5	21
129470-12210	5	20
129470-39610	8	23
129470-51060	11	4
129470-51080	11	47
		47 -1
129555-59510	13	20
129795-01780	3	17
129795-01800	2	2
129795-01950	2	8
129795-02411	1	11
129795-11120	4	10
129795-11180	4	11
129795-12501	5	1
129795-12520	5	2
129795-12530	5	3
129795-12540	5	4
129795-21661	7	8
129795-49550	10	2
	17	26
129795-49551	10	2 -1
	17	26 -1
144626-91560	8	25
171001-93100	17	1
171008-77010	15	1
171008-77400	15	2
171008-77410	15	3

Parts No.	Fig. No.	Ref. No.
171008-77420	15	4
171008-77440	15	6
171008-77450	15	7
171008-77460	15	8
171008-77470	15	9
171008-77480	15	10
171008-77490	15	11
171008-77500	15	12
171008-77510	15	13
171008-77520	15	14
171008-77530	15	15
171008-77540	15	16
171008-77570	15	19
171008-77571	15	19 -1
171008-77640	15	26
171008-77650	15	27
171008-77660	15	28
171008-77670	15	29
171008-77720	15	33
171008-77730	15	34
171008-77740	15	35
171008-77750	15	36
171010-77850	16	3
171011-44301	9	24
171011-91011	16	6
171011-91020	16	8
171014-91101	16	9
171015-77900	1	19
171015-77910	16	4
171083-13300	5	12
171090-91010	16	7
171301-01600	3	2
171301-01640	3	7
171301-49010	9	19
171301-49020	9	20
171340-21580	7	11
171340-21650	7	7 -1
171340-44740	9	8
171353-44760	9	9
171375-35100	8	9
171375-39600	8	22
171375-44300	9	23
171375-44320	9	25
171375-44900	9	28
171375-44910	9	29
171375-49800	10	3
171420-34820	8	5
171440-44500	9	17
172010-08160	2	28
174100-54120	11	14

Parts No.	Fig. No.	Ref. No.
174307-51170	11	8
174307-51560	11	35
194180-51640	2	22
194990-22050	5	13
22117-040000	14	6
22217-050000	11	51
22217-060000	11	52
22217-120000	11	73
22351-040010	2	25
	7	4
		40
	14	7
22351-050010	11	53
22351-060012	4	16
22360-050000	14	8
22512-070140	6	3
	7	5
23000-013000	13	22
23000-016000	9	13
23000-060000	5	5
23010-038000	9	21
23161-020100	8	24
23414-080000	8	20
23414-100000	8	21
23414-120000	13	31
23414-170000	5	14
23871-010000	1	4
	5	22
23871-030000	4	4
	9	3
23894-030002	5	15
24311-000120	4	53
	17	18
24311-000160	2	10
	8	14
	13	10
24311-000320	2	11
	4	55
	17	13
		16
24311-240100	13	11
24321-000650	13	12
	17	30
24341-000160	11	48
24341-000240	2	31
	3	9
24341-000500	4	50
	17	15
26014-080252	9	31
26014-080702	13	15

Parts No. Index

Parts No.	Fig. No.	Ref. No.
26022-050102	11	49
26022-060162	11	50
26106-060122	1	20
26106-060162	2	32
26106-060202	14	9
26106-060222	14	10
26106-060322	15	37
26106-060352	9	10
26106-060402	15	38
26106-060452	14	11
26106-060602	14	12
26106-060702	14	13
26106-060852	14	14
26106-080122	2	12
26106-080142	1	21
	4	41
26106-080162	1	13
	2	13
		14
	3	11
	4	51
26106-080202	2	15
	8	15
	10	12
26106-080252	3	12
	4	34
	5	8
	10	13
26106-080302	3	19
26106-080352	3	20
	5	25
	8	8 -1
26106-080452	2	16
	3	13
	5	16
	6	9
26106-080502	3	14
	4	35
	10	14
26106-080552	2	17
26106-080602	9	5
	10	15
26106-080802	5	17
26106-080852	2	18
26106-080952	5	18
26106-100142	7	39
26116-050302	11	54 -1
26116-050309	11	54
26116-060122	2	26
26116-060162	10	8

Parts No.	Fig. No.	Ref. No.
26116-080352	8	8
26116-120252	15	39
26206-100252	3	4
26206-100302	3	5
26216-060202	4	5
26216-080802	5	19
26226-080182	4	30
26366-060002	4	2
26366-080002	2	19
26366-100002	9	27
26450-060252	8	3
26557-040082	2	27
26706-100002	9	26
26716-060002	11	45
26716-120002	11	74
27231-500000	1	5
27241-120000	1	6
27241-220000	4	6
27241-300000	1	7
27241-400000	4	7
27310-080001	4	12 -1
28110-100120	17	4
28110-140170	17	5
28110-190220	17	6
28210-000140	17	7
41690-501360	16	12
43400-500410	2	20
		21
43400-500490	11	32
46111-800300	16	13
46120-800500	16	14
46150-803610	16	15
46150-803620	16	16
46150-803670	16	17
46150-803680	16	18
711100-51540	11	12
729100-01560	1	1
729100-53100	12	1
729100-92601	17	9
729100-92602	17	9 -1
729102-21700	7	1
729103-11700	4	1
729117-51250	11	1
729132-11520	4	42
729150-11651	4	26
729150-23700	7	29
729402-11650	4	26 -1
729402-23100	7	29 -1
729403-22500	7	17 -1
729403-22900	7	23

Parts No.	Fig. No.	Ref. No.
729550-22500	7	17
729550-22950	7	25
771341-01540	3	6

Parts No.	Fig. No.	Ref. No.
-----------	----------	----------