

OCD10-M30902EN

# PREFACE

1. This Parts Catalog is the 1st edition of 3TN75,3,4TN82L-RNF2 Diesel Engine for NISHIHATSU.

Pub. No. : 000Y00D3092

Published : April, 1992

2. Model name

Engine model	Vehicle		Vehicle made by
	Products	Model name	
3TN75,3,4TN82L-RNF2	—	—	NISHIHATSU

## Directions for the Parts Catalog.

1. This Parts Catalog shows both standard and optional parts.
2. Parts may change without prior notice.
3. The following is an example of the Parts Catalog format.

REF.	LEV.	PARTS NO.	DESCRIPTION	Q'TY						I	R
				(A)	(B)	(C)	(D)	(E)	(F)		
1	1	729595-51390	FUEL INJECTION PUMP	1	1	1	1	1			1
1-1	1	729595-51391	FUEL INJECTION PUMP	1	1	1	1	1		N	1
		(A=E00185) (B=E00200)									
3	2	26022-060162	SCREW M 6X 16	9	9	9	9	9			
3-1	2	26022-060162	SCREW M 6X 16	4	4	4	4	4		K	
		(A=E00156) (B=E00156) (C=E00156) (D=E00156) (E=E00156)									
4	2	129470-51040	CAMSHAFT	1	1	1	1	1			
5	2	122710-51050	BEARING, ROLLER	2	2	2	2	2			
6	2	129470-51060	RETAINER	1	1	1	1	1			

Remarks
(1) BOOST COMPEMSATOR TYPE. OPTIONAL PART, TO E00155,(4JH-DT, 4JH-DTZ

### ① Ref. No.

The Ref. No. listed may not be in accordance with the illustration Ref. No.

(Ex.) Illustration No.

List Ref No.

1

1

(Before change)

1-1

(After change)

For interchangeable symbols N, R and K, illustrations for new parts may be abbreviated.

### ② Lev. (Level)

Level indication

The numbers below indicate the level of relativity towards the main part.

1 ----- Main parts (Assembly parts)

2 ----- Sub component included in " 1 ".

3 ----- Sub component included in " 2 ".

Note) Parts that are not for sale are partially illustrated but not listed.

### ③ Interchangeability Symbol

When a part change takes place, one of the following interchangeability symbols is indicated beside the part.

Symbol	Interchangeability	Contents note
N	Old $\begin{matrix} \leftarrow \text{Yes} \\ \text{No} \rightarrow \end{matrix}$ New	New Part is interchangeable for Old Part but Old Part is not interchangeable for New Part.
Q	Old $\begin{matrix} \leftarrow \text{No} \\ \text{Yes} \rightarrow \end{matrix}$ New	New Part is not interchangeable for Old Part but Old Part is interchangeable for New Part.
R	Old $\begin{matrix} \leftarrow \text{Yes} \\ \text{Yes} \rightarrow \end{matrix}$ New	New/ Old Parts are both interchangeable.
S	Old $\begin{matrix} \leftarrow \text{No} \\ \text{No} \rightarrow \end{matrix}$ New	New/ Old Parts are both not interchangeable.
W		Part newly added.
Z		Part discontinued.
F		Not interchangeable by a single part but interchangeable together with related parts.
K		Changes only for used parts quantities.

### ④ Effective Machine No.

When a part changes, the effective Machine No. will be indicated in the (A)-(F) column.

Product Symbol	Product No.	Product Symbol	Product No.
C	Clutch No. Compressor No.	F	Machine No. (Agricultural Equip.)
D	Drive No.	M	Machine No.
E	Engine No.		

Note 1) A date may follow the symbol. (Ex.) 1996.01

Note 2) "XXXXX" and "ZZZZZ" are for parts that could not be predicted or for engine models that could not be identified.

Note 3) (A=E00185) is the E (Engine Serial Number) for the column (A) model (in this case 4JH-DT) after the parts design change.

### ⑤ Remarks

Figures or alphabets (symbols) are entered in the remarks column.

The comments (remarks) on parts that are indicated at the bottom of the illustration are the same symbols as those stated above.

# Contents

Fig. No.    Fig. Name

3TN75,3,4TN82L-RNF2

1. CYLINDER BLOCK
2. CYLINDER BLOCK
3. GEAR HOUSING
4. FLYWHEEL HOUSING
5. LUBRICATING OIL SUMP
6. CYLINDER HEAD & BONNET
7. CYLINDER HEAD & BONNET
8. CYLINDER HEAD & BONNET
9. SUCTION MANIFOLD & AIR CLEANER
10. SILENCER
11. EXHAUST MANIFOLD
12. CAMSHAFT & DRIVE GEAR
13. CRANKSHAFT & PISTON
14. LUBRICATING OIL SYSTEM
15. COOLING WATER SYSTEM
16. RADIATOR & COOLING WATER PIPE
17. FUEL INJECTION SYSTEM
18. FUEL INJECTION SYSTEM
19. FUEL INJECTION PIPE
20. FUEL OIL PIPE
21. GOVERNOR
22. STARTING MOTOR(COMPONENT PART)
23. GENERATOR(COMPONENT PART)
24. GASKET SET (OPTIONAL) & TOOL

Fig. No.    Fig. Name

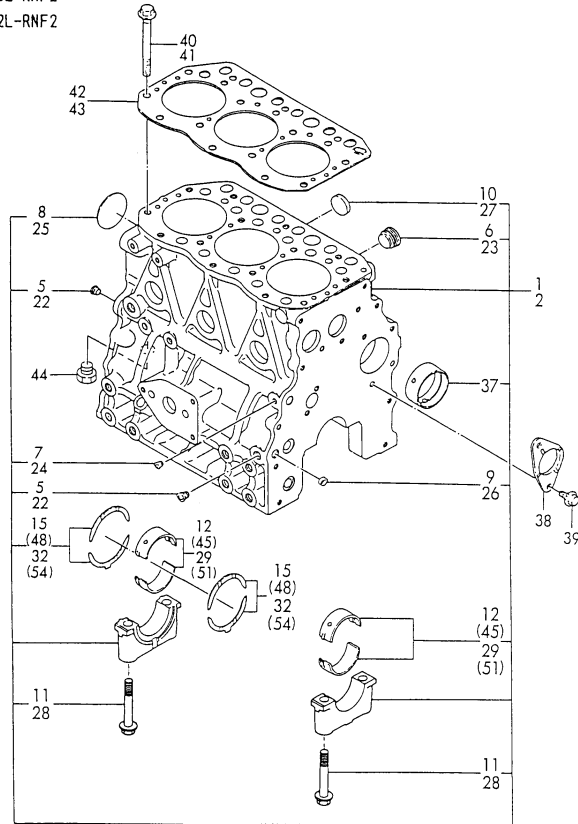
# Fig.1. CYLINDER BLOCK

(A)=3TN75L-RNF2  
 (B)=3TN82L-RNF2  
 (C)=4TN82L-RNF2

(D)=  
 (E)=  
 (F)=

019810-01100  
 029102-01100  
 019865-02100  
 029150-02100  
 029129-02200

3TN75L-RNF2  
 3TN82L-RNF2



No.	Lev.	Parts No.	Description	Q'ty						I	R
				(A)	(B)	(C)	(D)	(E)	(F)		
1	1	719810-01560	BLOCK ASSY, CYLINDER	1							
2	1	729151-01560	BLOCK ASSY, CYLINDER		1						
5	3	124160-01910	PLUG, PT1/4	2							
6	3	171051-01921	PLUG, NPTF1	1							
7	3	23871-010000	PLUG, R01	1							
8	3	27231-500000	PLUG 50	1							
9	3	27241-120000	PLUG, 12	2							
10	3	27241-300000	PLUG 30	6							
11	2	119620-02020	BOLT, METAL CAP	8							
12	2	719810-02800	BEARING, MAIN	4							
15	2	719810-02930	BEARING, THRUST	2							
22	3	124160-01910	PLUG, PT1/4			3					
23	3	171051-01921	PLUG, NPTF1	1							
24	3	23871-010000	PLUG, R01	1							
25	3	27231-500000	PLUG 50	1							
26	3	27241-120000	PLUG, 12	2							
27	3	27241-300000	PLUG 30	6							
28	2	129150-02020	BOLT, METAL CAP	8							
29	2	729150-02800	BEARING, MAIN	4							
29-1	2	129150-02800	BEARING, MAIN (B=EXXX)	4							N
32	2	729150-02930	BEARING, THRUST	2							
32-1	2	129150-02930	BEARING, THRUST (B=EXXX)	2							N
37	2	129795-02411	BUSH, CAMSHAFT	1	1						
38	1	129150-02450	BEARING, THRUST (A=EXXX) (B=EXXX)	1	1						Z
39	1	26106-080162	BOLT, M8X 16 PLATED	2	2						
40	1	119810-01200	BOLT, HEAD	14							
41	1	129150-01200	BOLT, HEAD		14						
42	1	119865-01331	GASKET, HEAD T=1.4	1							\$
43	1	129156-01332	GASKET, HEAD		1						\$
44	1	23887-120002	PLUG, 12	1							
45	1	119810-02870	BEARING, 0.25 US	4							1
48	1	119810-02940	BEARING, THRUST 0.25	2							2
51	1	129150-02870	BEARING, 0.25 US		4						1
54	1	129150-02940	BEARING, THRUST 0.25	2							2

**Remarks**

- (1) UNDER-SIZED(U.S=0.25)PART.
- (2) OVER-SIZED(O.S=0.25)PART.
- (§) THESE PARTS ARE SOLD BY FIG.24, REF.NO.1,1-1,2,2-1,3,3-1.

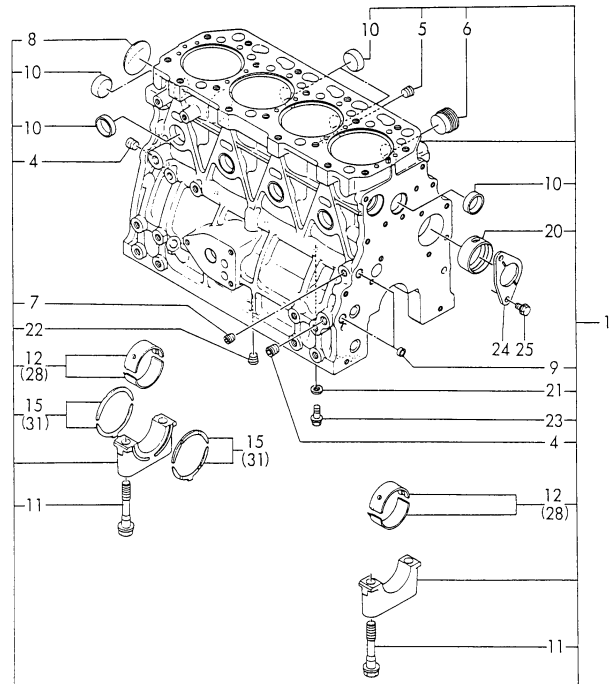
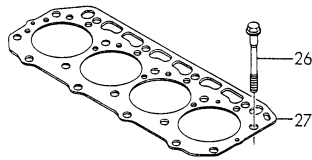
# Fig.2. CYLINDER BLOCK

(A)=3TN75L-RNF2  
 (B)=3TN82L-RNF2  
 (C)=4TN82L-RNF2

(D)=  
 (E)=  
 (F)=

D29402-01110  
 D29400-01820  
 D29550-02100  
 D29129-02200

4TN82L-RNF2



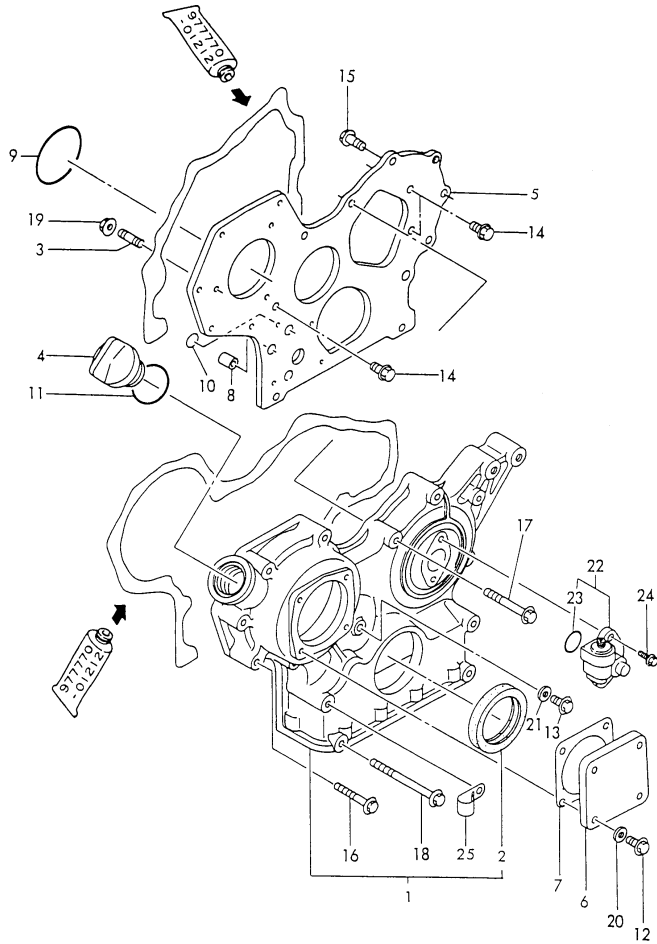
No.	Lev.	Parts No.	Description	Qty						I	R
				(A)	(B)	(C)	(D)	(E)	(F)		
1	1	729402-01560	BLOCK ASSY, CYLINDER			1					
4	3	124160-01910	PLUG, PT1/4			2					
5	3	124160-01910	PLUG, PT1/4			1					
6	3	171051-01921	PLUG, NPTF1			1					
7	3	23871-010000	PLUG, R01			1					
8	3	27231-500000	PLUG 50			1					
9	3	27241-120000	PLUG, 12			2					
10	3	27241-300000	PLUG 30			8					
11	2	129150-02020	BOLT, METAL CAP			10					
12	2	729150-02800	BEARING, MAIN			5					
12-1	2	129150-02800	BEARING, MAIN (C=EXXX)			5					N
15	2	729150-02930	BEARING, THRUST			2					
15-1	2	129150-02930	BEARING, THRUST (C=EXXX)			2					N
20	2	129795-02411	BUSH, CAMSHAFT			1					
21	2	23414-080000	GASKET, 8X1.0			4					
22	2	23871-030000	PLUG, R03			1					
23	2	26106-080122	BOLT, M8X 12 PLATED			4					
24	1	129150-02450	BEARING, THRUST (C=EXXX)			1					Z
25	1	26106-080162	BOLT, M8X 16 PLATED			2					
26	1	129150-01200	BOLT, HEAD			18					
27	1	129402-01321	GASKET, HEAD			1					\$
28	1	129150-02870	BEARING, 0.25 US			4					1
31	1	129150-02940	BEARING, THRUST 0.25			2					2

**Remarks**

- (1) UNDER-SIZED(U.S=0.25)PART.
- (2) OVER-SIZED(O.S=0.25)PART.
- (§) THESE PARTS ARE SOLD BY FIG.24, REF.NO.1,1-1,2,2-1,3,3-1.

Fig.3. GEAR HOUSING

D29400-01220  
D29150-91100



(A)=3TN75L-RNF2  
(B)=3TN82L-RNF2  
(C)=4TN82L-RNF2

(D)=  
(E)=  
(F)=

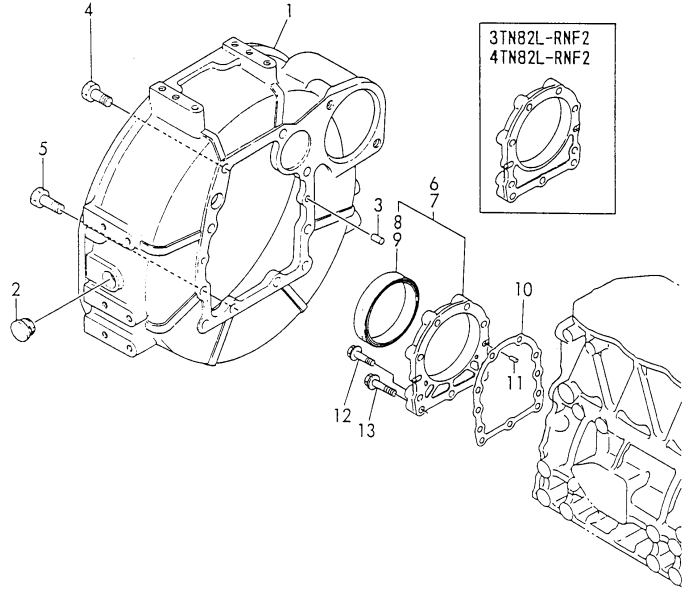
No.	Lev.	Parts No.	Description	Qty						I	R
				(A)	(B)	(C)	(D)	(E)	(F)		
1	1	719810-01500 (A=E43236) (B=*1991.10) (C=*1991.10)	CASE ASSY, GEAR	1	1	1					W
2	2	129795-01800	SEAL, OIL	1	1	1					
3	1	121450-01560	STUD, M8X22	3	3	3					
4	1	124160-01751	COVER, FILLER	1	1	1					
5	1	129400-01520	FLANGE, GEAR CASE	1	1	1					
6	1	124240-01871	COVER	1	1	1					
7	1	124240-01882	GASKET	1	1	1					\$
7-1	1	124240-01883	GASKET	1	1	1					N \$
		(A=E31420) (B=E10642) (C=E07000)									
8	1	129795-01950	PIPE, KNOCK L=18	2	2	2					
9	1	121850-51960	O-RING	1	1	1					
10	1	24311-000160	O-RING, 1AP16.0	2	2	2					
11	1	24311-000320	O-RING, 1AP32.0	1	1	1					\$
12	1	26106-080122	BOLT, M8X 12 PLATED	4	4	4					
13	1	26106-080162	BOLT, M8X 16 PLATED	1	1	1					
14	1	26106-080162	BOLT, M8X 16 PLATED	3	3	3					
15	1	26106-080202	BOLT, M8X 20 PLATED	2	2	2					
16	1	26106-080452	BOLT, M8X 45 PLATED	6	6	2					
17	1	26106-080552	BOLT, M8X 55 PLATED	3	3	3					
18	1	26106-080852	BOLT, M8X 85 PLATED	4	4	4					
19	1	26366-080002	NUT, M8	3	3	3					
20	1	43400-500410	SEAL WASHER 8S	4	4	4					
21	1	43400-500410	SEAL WASHER 8S	1	1	1					
22	1	129150-91400	GEAR	1	1	1					
23	2	24341-000240	O-RING, 1AS24.0	1	1	1					
24	1	26106-060162	BOLT, M6X 16 PLATED	2	2	2					
25	1	129150-03100 (A=EXXX) (B=EXXX) (C=EXXX)	RETAINER, PIPE	1	1	1					W

Remarks

(\$) THESE PARTS ARE SOLD BY FIG.24,  
REF.NO.1,1-1,2,2-1,3,3-1.

Fig.4. FLYWHEEL HOUSING

029100-01310  
 019800-01500  
 029100-01510



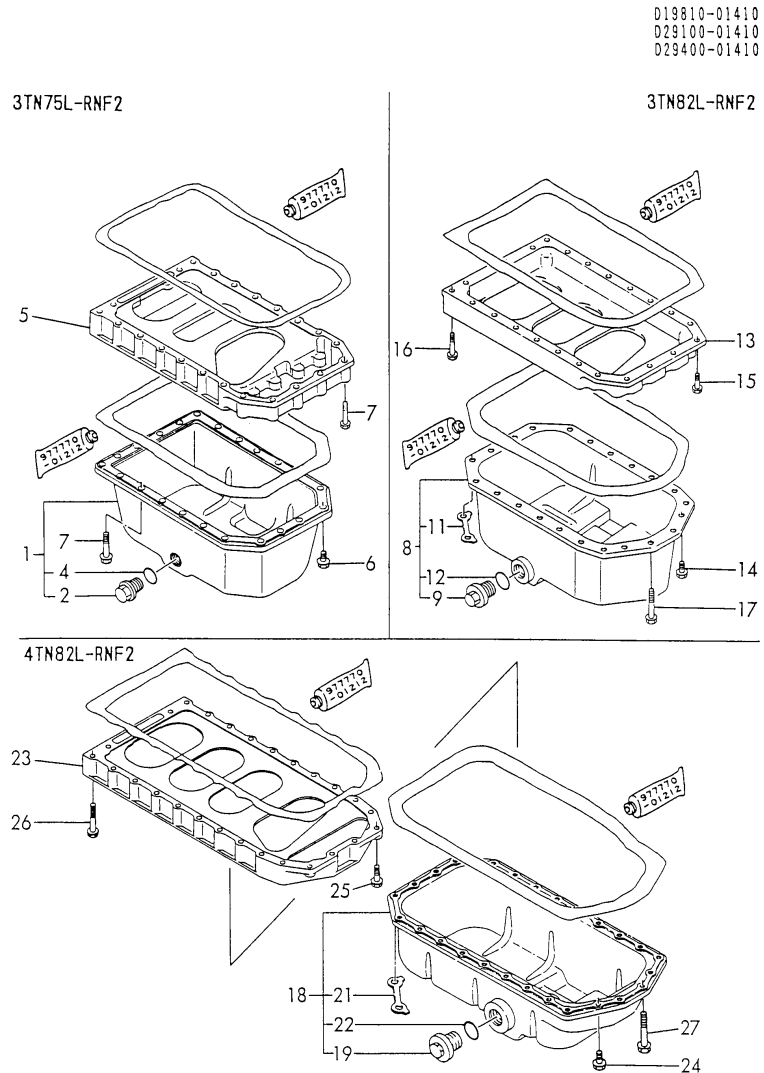
(A)=3TN75L-RNF2  
 (B)=3TN82L-RNF2  
 (C)=4TN82L-RNF2  
 (D)=  
 (E)=  
 (F)=

No.	Lev.	Parts No.	Description	Qty						I	R
				(A)	(B)	(C)	(D)	(E)	(F)		
1	1	171301-01600	HOUSING, FLYWHEEL	1	1	1					
2	1	119620-01750	CAP	1	1	1					
3	1	129100-01580	PIN, M8X16	2	2	2					
4	1	26206-100252	BOLT, M10X 25 PLATED	6	6	6					
5	1	26206-100302	BOLT, M10X 30 PLATED	4	4	4					
6	1	119860-01640	CASE ASSY, OIL SEAL	1							W
6-1	1	719810-01650	CASE ASSY, OIL SEAL	1							N
		(A=E36494) (A=E43236)									
7	1	129100-01640	CASE ASSY, OIL SEAL		1	1					W
		(B=E12450) (C=E07885)									
8	2	119810-01780	SEAL, 769310	1							
9	2	129795-01780	SEAL, OIL		1	1					
10	1	129150-01660	GASKET	1	1	1					Z \$
		(A=EXXX) (B=EXXX) (C=EXXX)									
11	1	129100-01580	PIN, M8X16	2	2	2					
12	1	26106-080302	BOLT, M8X 30 PLATED	6	6	6					
13	1	26106-080352	BOLT, M8X 35 PLATED	3	3	3					

Remarks  
 (\$) THESE PARTS ARE SOLD BY FIG.24,  
 REF.NO.1,1-1,2,2-1,3,3-1.



Fig.5. LUBRICATING OIL SUMP



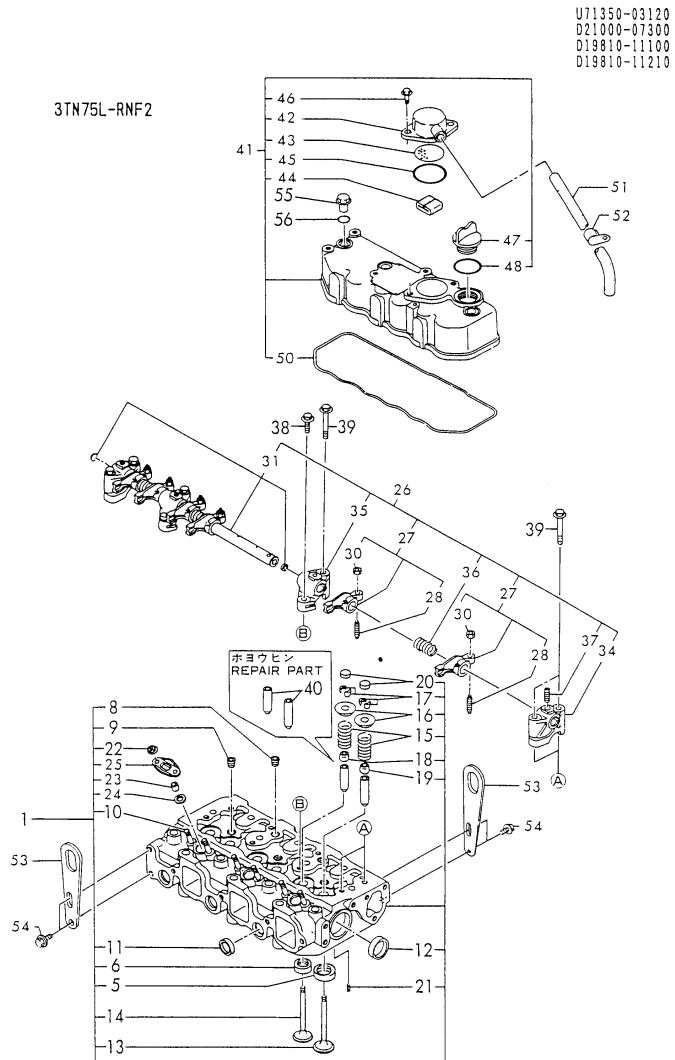
(A)=3TN75L-RNF2 (D)=  
 (B)=3TN82L-RNF2 (E)=  
 (C)=4TN82L-RNF2 (F)=

No.	Lev.	Parts No.	Description	Qty						I	R
				(A)	(B)	(C)	(D)	(E)	(F)		
1	1	719888-01540	SUMP ASSY, OIL	1							
1-1	1	119810-01770	SUMP ASSY, OIL	1							N
			(A=*1990.)								
2	2	171301-01640	PLUG, 22	1							
4	2	24341-000240	O-RING, 1AS24.0	1							
5	1	119810-01730	SPACER, OIL SUMP	1							
6	1	26106-080162	BOLT, M8X 16 PLATED	6							
7	1	26106-080452	BOLT, M8X 45 PLATED	22							
8	1	771341-01540	SUMP ASSY, OIL			1					
8-1	1	129100-01770	SUMP ASSY, OIL			1					N
			(B=*1990.)								
9	2	171301-01640	PLUG, 22			1					
11	2	129100-01790	RETAINER			2					
12	2	24341-000240	O-RING, 1AS24.0			1					
13	1	129100-01730	SPACER, OIL SUMP			1					
14	1	26106-080162	BOLT, M8X 16 PLATED			4					
15	1	26106-080252	BOLT, M8X 25 PLATED			2					
16	1	26106-080452	BOLT, M8X 45 PLATED			16					
17	1	26106-080502	BOLT, M8X 50 PLATED			4					
18	1	729400-01541	SUMP ASSY, OIL							1	
18-1	1	129400-01770	SUMP ASSY, OIL							1	N
			(C=*1990.)								
19	2	171301-01640	PLUG, 22							1	
21	2	129100-01790	RETAINER							2	
22	2	24341-000240	O-RING, 1AS24.0							1	
23	1	129400-01730	SPACER, OIL SUMP							1	
24	1	26106-080162	BOLT, M8X 16 PLATED							4	
25	1	26106-080252	BOLT, M8X 25 PLATED							2	
26	1	26106-080452	BOLT, M8X 45 PLATED							20	
27	1	26106-080502	BOLT, M8X 50 PLATED							4	

Fig.6. CYLINDER HEAD & BONNET

(A)=3TN75L-RNF2  
 (B)=3TN82L-RNF2  
 (C)=4TN82L-RNF2

(D)=  
 (E)=  
 (F)=



No.	Lev.	Parts No.	Description	Q'ty						I	R
				(A)	(B)	(C)	(D)	(E)	(F)		
1	1	719800-11700	HEAD ASSY, CYLINDER	1							
1-1	1	719820-11700	HEAD ASSY, CYLINDER	1							N
(A=E43236)											
5	2	119810-11080	SEAT, INTAKE VALVE	3							
6	2	119810-11090	SEAT, EXHAUST VALVE	3							
8	2	121850-11860	PLUG, PT1/4	2							
9	2	23871-030000	PLUG, R03	3							
10	2	26216-060302	STUD, M6X 30	6							
11	2	27241-220000	PLUG, 22	3							
12	2	27241-400000	PLUG, 40	2							
13	2	119810-11100	VALVE, INTAKE	3							
14	2	119810-11130	VALVE, EXHAUST	3							
15	2	119810-11120	SPRING, VALVE	6							
16	2	104211-11180	RETAINER, SPRING	6							
17	2	101158-11190	COTTER	6							
17-1	2	27310-070001	COTTER, 7	6							R
(A=EXXXXX)											
18	2	124950-11340	SEAL, VALVE STEM	3							
19	2	124160-11340	SEAL, VALVE STEM	3							
20	2	104211-11370	CAP, VALVE	6							
21	2	22351-060012	PIN, SPRING 6.0X12	2							
22	2	26366-060002	NUT, M6	6							
22-1	2	26367-060002	NUT, M6	6							N
(A=EXXXX)											
23	2	119625-11870	PROTECTOR, NOZZLE	3							
24	2	119625-11880	SEAT, NOZZLE	3							
25	2	119625-11900	RETAINER, NOZZLE	3							
26	1	119865-11200	SUPPORT ASSY, ARM	1							
27	2	719865-11650	ARM ASSY, ROCKER	6							
27-1	2	719810-11650	ARM ASSY, ROCKER	6							N
(A=E36494)											
28	3	129150-11230	SCREW, VALVE ADJUST	6							
30	3	129150-11750	NUT, M8	6							
31	2	119810-11240	SHAFT ASSY, ROCKER	1							
34	2	129155-11260	SUPPORT, ROCKER ARM	2							
35	2	129155-11270	SUPPORT, ROCKER ARM	2							
36	2	129150-11280	SPRING	3							
37	2	26226-080182	STUD, M8X 18	3							
38	1	26106-080252	BOLT, M8X 25 PLATED	2							
39	1	26106-080502	BOLT, M8X 50 PLATED	6							
40	1	124060-11800	GUIDE, VALVE	6							
41	1	119810-11350	BONNET ASSY, HEAD	1							W
(A=EXXXX)											
42	2	129150-03020	COVER, BREATHER	1							
43	2	129150-03080	PLATE, BAFFLE	1							
44	2	129150-03070	BAFFLE, BREATHER	1							
45	2	24341-000500	O-RING, 1AS50.0	1							
46	2	26106-080162	BOLT, M8X 16 PLATED	2							
47	2	124160-01751	COVER, FILLER	1							
48	2	24311-000320	O-RING, 1AP32.0	1							\$
50	2	119865-11310	GASKET, BONNET	1							\$

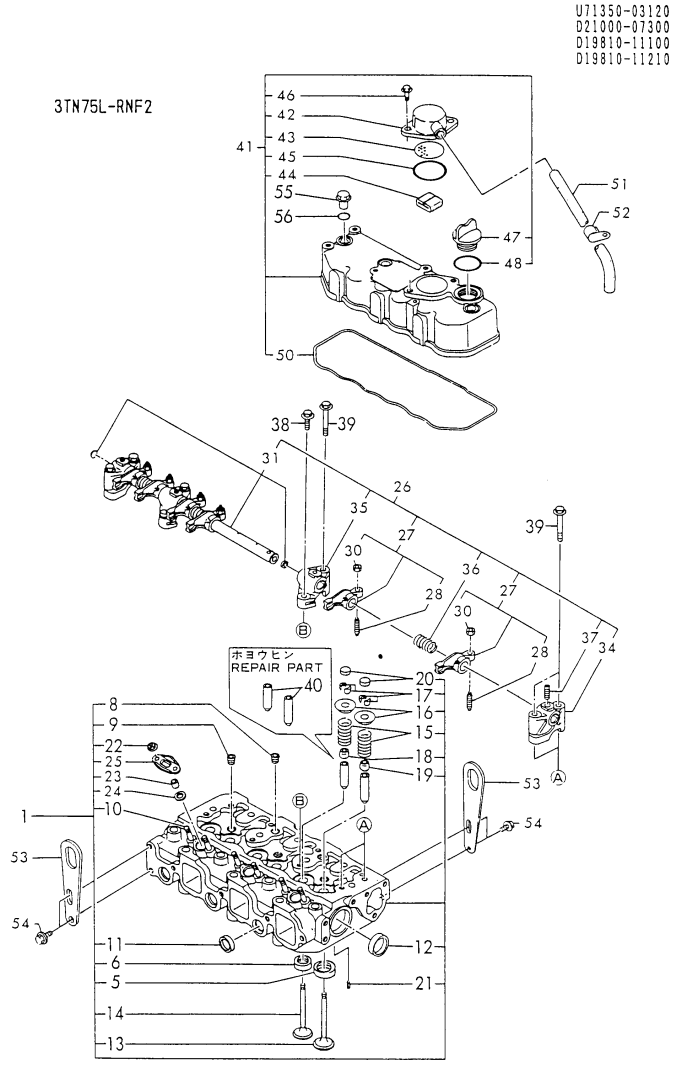
Remarks

(1) REPAIR PART.  
 (\$) THESE PARTS ARE SOLD BY FIG.24,  
 REF.NO.1,1-1,2,2-1,3,3-1.

Fig.6. CYLINDER HEAD & BONNET

(A)=3TN75L-RNF2  
 (B)=3TN82L-RNF2  
 (C)=4TN82L-RNF2

(D)=  
 (E)=  
 (F)=



No.	Lev.	Parts No.	Description	Q'ty						I	R
				(A)	(B)	(C)	(D)	(E)	(F)		
51	1	171350-03090	PIPE , BREATHER 900	1							
52	1	129150-03100	RETAINER, PIPE	1							Z
				(A=EXXX)							
53	1	124736-07900	LIFTER	2							
54	1	26106-080142	BOLT, M8X 14 PLATED	4							
55	1	124160-11360	KNOB	3							
56	1	24311-000120	O-RING, 1AP12.0	3							

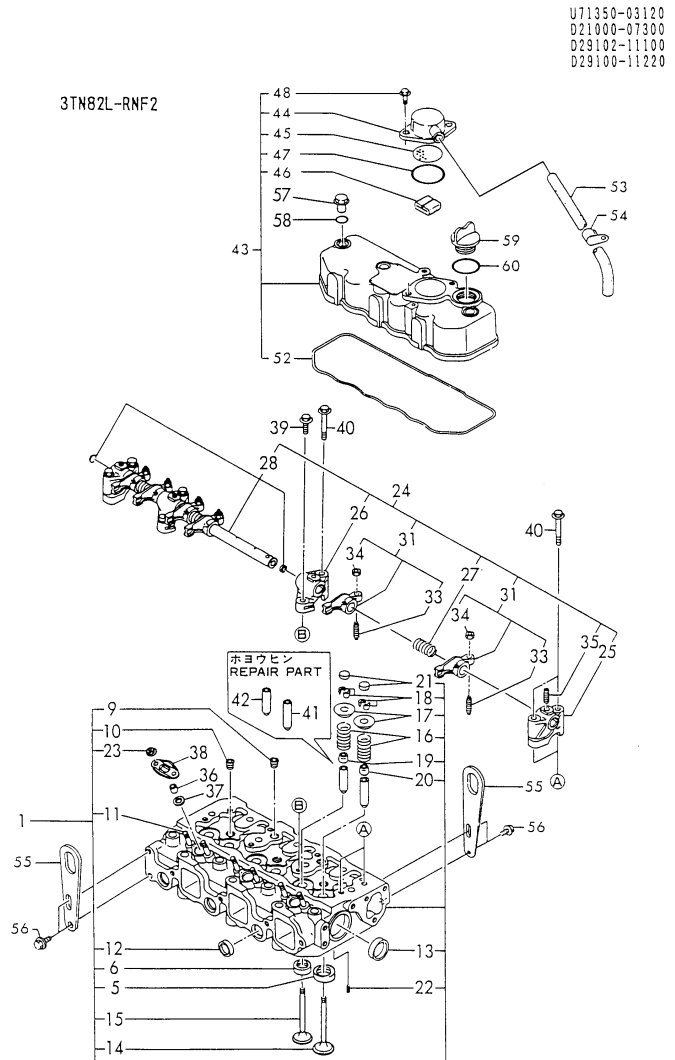
Remarks

(1) REPAIR PART.  
 (§) THESE PARTS ARE SOLD BY FIG.24,  
 REF.NO.1,1-1,2,2-1,3,3-1.

Fig.7. CYLINDER HEAD & BONNET

(A)=3TN75L-RNF2  
(B)=3TN82L-RNF2  
(C)=4TN82L-RNF2

(D)=  
(E)=  
(F)=



No.	Lev.	Parts No.	Description	Q'ty						I	R
				(A)	(B)	(C)	(D)	(E)	(F)		
1	1	771364-11700	HEAD ASSY, CYLINDER		1						
5	2	129470-11080	SEAT, INTAKE VALVE		3						
6	2	129470-11090	SEAT, EXHAUST VALVE		3						
9	2	121850-11860	PLUG, PT1/4		2						
10	2	23871-030000	PLUG, R03		3						
11	2	26216-060202	STUD, M6X 20		6						
12	2	27241-220000	PLUG, 22		3						
13	2	27241-400000	PLUG, 40		2						
14	2	129100-11100	VALVE, INTAKE		3						
15	2	129100-11130	VALVE, EXHAUST		3						
16	2	129795-11120	SPRING, VALVE		6						
17	2	129795-11180	RETAINER, SPRING		6						
18	2	103338-11190	COTTER		6						
18-1	2	27310-080001	COTTER, 8		6						R
(B=EXXXX)											
19	2	124460-11340	SEAL, VALVE STEM		3						
20	2	121400-11340	SEAL, VALVE STEM		3						
21	2	129150-11370	CAP, VALVE		6						
22	2	22351-060012	PIN, SPRING 6.0X12		2						
23	2	26366-060002	NUT, M6		6						
24	1	129155-11241	SHAFT ASSY, ROCKER		1						
25	2	129155-11260	SUPPORT, ROCKER ARM		2						
26	2	129155-11270	SUPPORT, ROCKER ARM		2						
27	2	129150-11280	SPRING		3						
28	2	129150-11290	SHAFT, ROCKER ARM		1						
31	2	729150-11651	ARM ASSY, ROCKER		6						
31-1	2	729402-11650	ARM ASSY, ROCKER		6						N
(B=E12450)											
33	3	129150-11230	SCREW, VALVE ADJUST		6						
34	3	129150-11750	NUT, M8		6						
35	2	26226-080182	STUD, M8X 18		3						
36	1	119625-11870	PROTECTOR, NOZZLE		3						
37	1	119625-11880	SEAT, NOZZLE		3						
38	1	119625-11900	RETAINER, NOZZLE		3						
39	1	26106-080252	BOLT, M8X 25 PLATED		2						
40	1	26106-080502	BOLT, M8X 50 PLATED		6						
41	1	120130-11860	GUIDE, VALVE		3						1
42	1	129150-11810	GUIDE, VALVE		3						1
43	1	129100-11350	BONNET ASSY, HEAD		1						W
(B=EXXX)											
44	2	129150-03020	COVER, BREATHER		1						
45	2	129150-03080	PLATE, BAFFLE		1						
46	2	129150-03070	BAFFLE, BREATHER		1						
47	2	24341-000500	O-RING, 1AS50.0		1						
48	2	26106-080162	BOLT, M8X 16 PLATED		2						
52	2	129150-11310	GASKET, BONNET		1						\$
53	1	171350-03090	PIPE, BREATHER 900		1						
54	1	129150-03100	RETAINER, PIPE		1						Z
(B=EXXX)											
55	1	124736-07900	LIFTER		2						
56	1	26106-080142	BOLT, M8X 14 PLATED		4						

Remarks

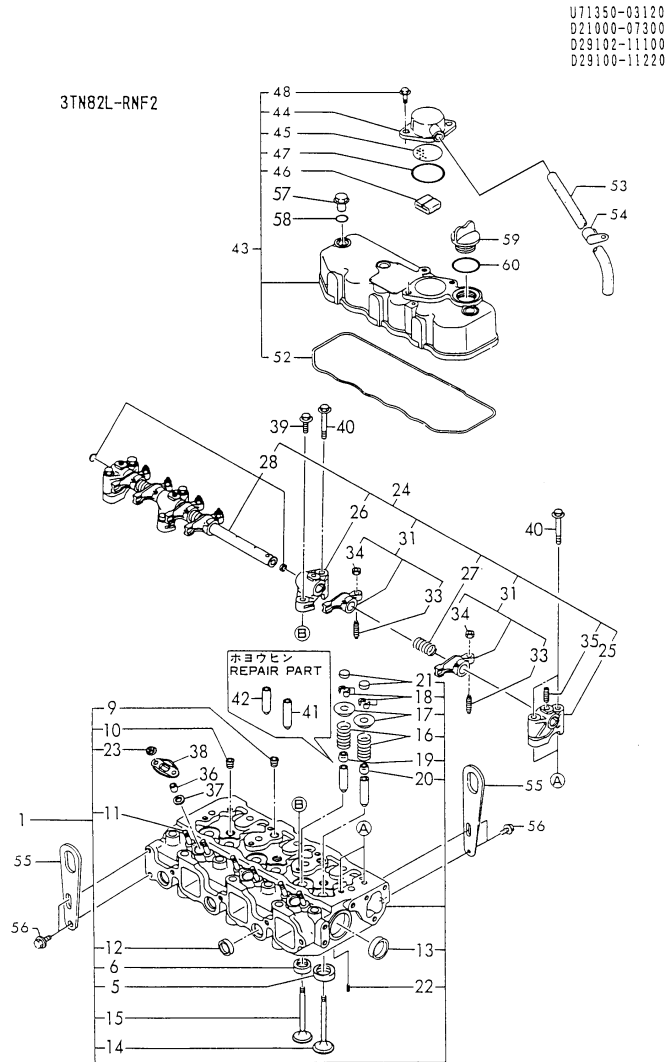
(1) REPAIR PART.  
(\$ ) THESE PARTS ARE SOLD BY FIG.24,  
REF.NO.1,1-1,2,2-1,3,3-1.

Fig.7. CYLINDER HEAD & BONNET

(A)=3TN75L-RNF2  
 (B)=3TN82L-RNF2  
 (C)=4TN82L-RNF2

(D)=  
 (E)=  
 (F)=

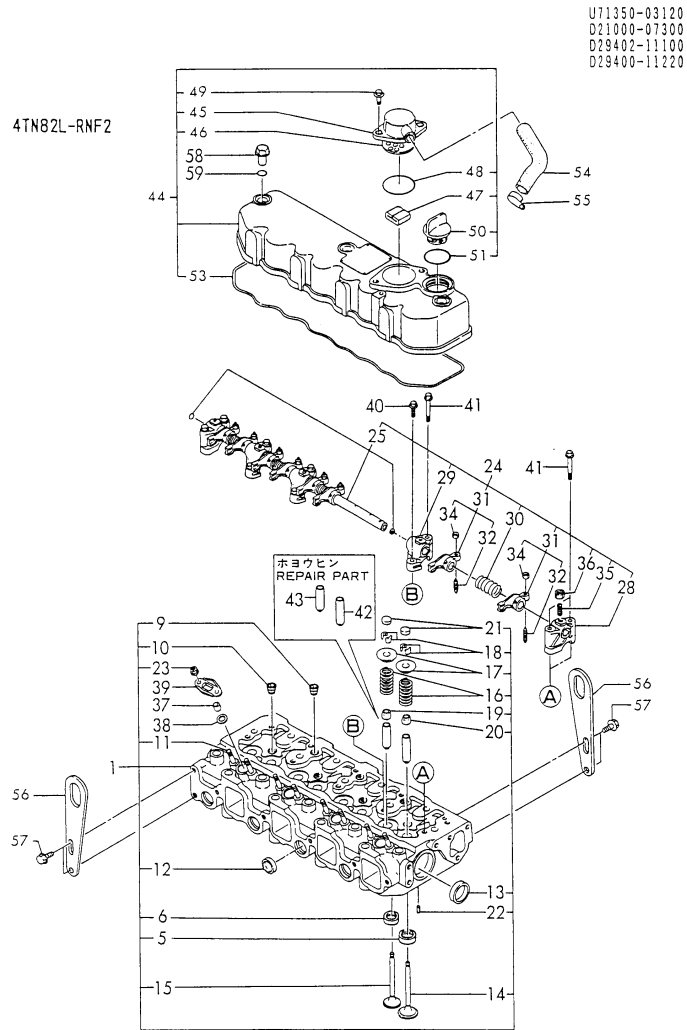
No.	Lev.	Parts No.	Description	Q'ty						I	R
				(A)	(B)	(C)	(D)	(E)	(F)		
57	1	124160-11360	KNOB		3						
58	1	24311-000120	O-RING, 1AP12.0		3						
59	1	124160-01751	COVER, FILLER		1						
60	1	24311-000320	O-RING, 1AP32.0		1						



Remarks

(1) REPAIR PART.  
 (§) THESE PARTS ARE SOLD BY FIG.24,  
 REF.NO.1,1-1,2,2-1,3,3-1.

Fig.8. CYLINDER HEAD & BONNET



U71350-03120  
 O21000-07300  
 D29402-11100  
 D29400-11220

No.	Lev.	Parts No.	Description	Qty						I	R
				(A)	(B)	(C)	(D)	(E)	(F)		
1	1	729402-11700	HEAD ASSY, CYLINDER			1					
5	2	129470-11080	SEAT, INTAKE VALVE			4					
6	2	129470-11090	SEAT, EXHAUST VALVE			4					
9	2	121850-11860	PLUG, PT1/4			3					
10	2	23871-030000	PLUG, R03			4					
11	2	26216-060202	STUD, M6X 20			8					
12	2	27241-220000	PLUG, 22			4					
13	2	27241-400000	PLUG, 40			2					
14	2	129100-11100	VALVE, INTAKE			4					
15	2	129100-11130	VALVE, EXHAUST			4					
16	2	129795-11120	SPRING, VALVE			8					
17	2	129795-11180	RETAINER, SPRING			8					
18	2	103338-11190	COTTER			8					
18-1	2	27310-080001	COTTER, 8			8					R
			(C=EXXXXX)								
19	2	124460-11340	SEAL, VALVE STEM			4					
20	2	121400-11340	SEAL, VALVE STEM			4					
21	2	129150-11370	CAP, VALVE			8					
22	2	22351-060012	PIN, SPRING 6.0X12			2					
23	2	26366-060002	NUT, M6			8					
24	1	129555-11241	SHAFT ASSY, ROCKER			1					
25	2	129550-11290	SHAFT, ROCKER ARM			1					
28	2	129155-11260	SUPPORT, ROCKER ARM			2					
29	2	129155-11270	SUPPORT, ROCKER ARM			3					
30	2	129150-11280	SPRING			4					
31	2	729150-11650	ARM ASSY, ROCKER			8					
31-1	2	729402-11650	ARM ASSY, ROCKER			8					N
			(C=E07885)								
32	3	129150-11230	SCREW, VALVE ADJUST			8					
34	3	129150-11750	NUT, M8			8					
35	2	26226-080182	STUD, M8X 18			3					
36	2	26756-080002	NUT, LOCK M8			3					
37	1	119625-11870	PROTECTOR, NOZZLE			4					
38	1	119625-11880	SEAT, NOZZLE			4					
39	1	119625-11900	RETAINER, NOZZLE			4					
40	1	26106-080252	BOLT, M8X 25 PLATED			3					
41	1	26106-080502	BOLT, M8X 50 PLATED			7					
42	1	120130-11860	GUIDE, VALVE			4					1
43	1	129150-11810	GUIDE, VALVE			4					1
44	1	129400-11350	BONNET ASSY, HEAD			1					W
			(C=EXXX)								
45	2	129150-03020	COVER, BREATHER			1					
46	2	129150-03080	PLATE, BAFFLE			1					
47	2	129150-03070	BAFFLE, BREATHER			1					
48	2	24341-000500	O-RING, 1AS50.0			1					
49	2	26106-080162	BOLT, M8X 16 PLATED			2					
50	2	124160-01751	COVER, FILLER			1					
51	2	24311-000320	O-RING, 1AP32.0			1					\$
53	2	129550-11310	GASKET, BONNET			1					\$
54	1	171350-03090	PIPE, BREATHER 900			1					
55	1	129150-03100	RETAINER, PIPE			1					Z

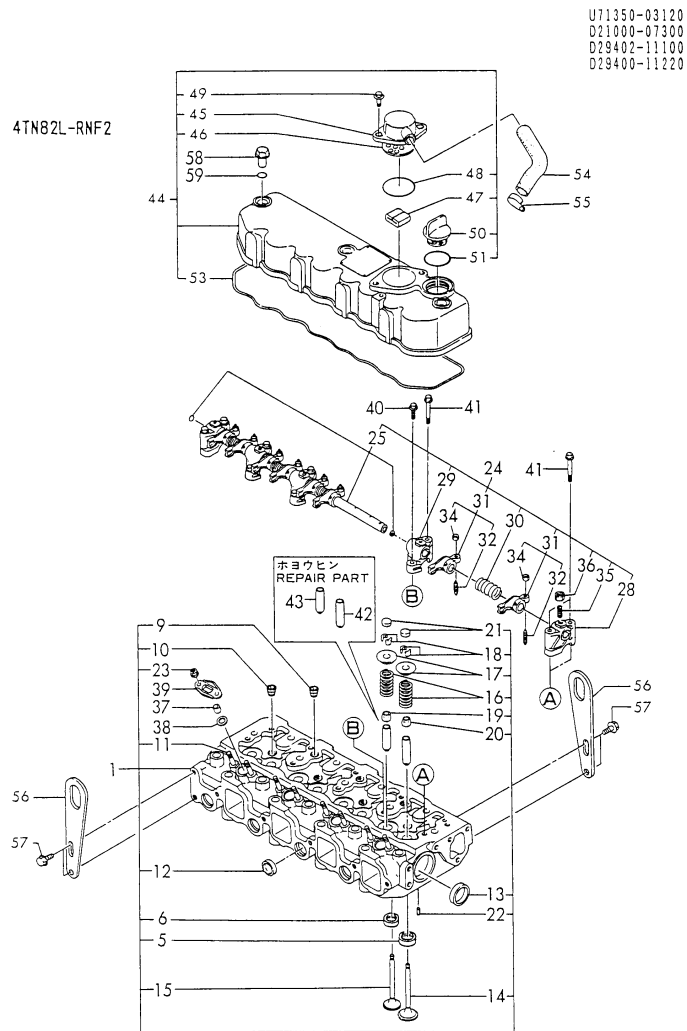
Remarks

(1) REPAIR PART.  
 (\$) THESE PARTS ARE SOLD BY FIG.24,  
 REF.NO.1,1-1,2,2-1,3,3-1.

Fig.8. CYLINDER HEAD & BONNET

(A)=3TN75L-RNF2  
 (B)=3TN82L-RNF2  
 (C)=4TN82L-RNF2

(D)=  
 (E)=  
 (F)=



No.	Lev.	Parts No.	Description	Q'ty						I	R
				(A)	(B)	(C)	(D)	(E)	(F)		
			(C=EXXX)								
56	1	124736-07900	LIFTER				2				
57	1	26106-080142	BOLT, M8X 14 PLATED				4				
58	1	124160-11360	KNOB				3				
59	1	24311-000120	O-RING, 1AP12.0				3				

Remarks

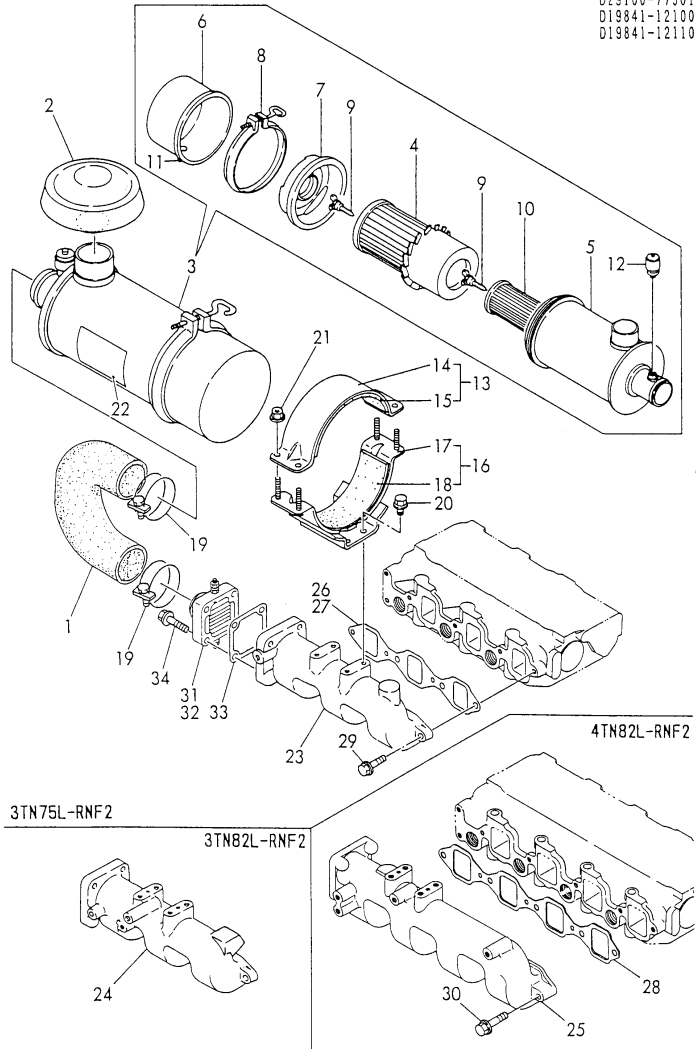
(1) REPAIR PART.  
 (§) THESE PARTS ARE SOLD BY FIG.24,  
 REF.NO.1,1-1,2,2-1,3,3-1.

Fig.9. SUCTION MANIFOLD & AIR CLEANER

(A)=3TN75L-RNF2  
 (B)=3TN82L-RNF2  
 (C)=4TN82L-RNF2

(D)=  
 (E)=  
 (F)=

D29100-12100  
 D29488-12100  
 D19840-12200  
 D29100-77501  
 D19841-12100  
 D19841-12110



No.	Lev.	Parts No.	Description	Qty						I	R
				(A)	(B)	(C)	(D)	(E)	(F)		
1	1	171351-12210	PIPE, AIR INTAKE	1	1	1					
1-1	1	119841-12210	PIPE, AIR INTAKE	1							N
(A=E43236)											
2	1	121521-12400	CAP, RAIN	1	1	1					
3	1	121521-12500	CLEANER ASSY, AIR	1	1	1					
4	2	121420-12511	ELEMENT	1	1	1					
5	2	171061-12520	BODY ASSY	1	1	1					
6	2	121422-12530	CUP	1	1	1					
7	2	121420-12540	SCARF, BAFFLE	1	1	1					
8	2	121420-12550	CLAMP ASSY	1	1	1					
9	2	121420-12561	NUT, WING	2	2	2					
10	2	121422-12570	ELEMENT	1	1	1					
11	2	121422-12580	VALVE, UNLOADER	1	1	1					
12	2	126650-12680	INDICATOR	1	1	1					
13	1	121400-12540	BAND ASSY, CLEANER	1	1	1					
14	2	121400-12560	BAND, AIR CLEANER	1	1	1					
15	2	121400-12570	SEAT, RUBBER B	1	1	1					
16	1	171351-12580	SUPPORT ASSY,CLEANER	1	1	1					
17	2	171351-12560	SUPPORT, AIR CLEANER	1	1	1					
18	2	171351-12570	SEAT, RUBBER	1	1	1					
19	1	23000-060000	CLAMP, 60	2	2	2					
20	1	26106-080142	BOLT, M8X 14 PLATED	4	4	4					
21	1	26366-060002	NUT, M6	4	4	4					
22	1	124764-12600	LABEL, AIR CLEANER	1	1	1					
22-1	1	129136-12600	LABEL, AIR CLEANER	1	1	1					N
(A=E0000) (B=E0000) (C=E0000)											
23	1	171301-12701	MANIFOLD, AIR INTAKE	1							
24	1	129122-12100	MANIFOLD, AIR INTAKE		1						
25	1	129488-12100	MANIFOLD, AIR INTAKE			1					
26	1	119810-12110	GASKET, MANIFOLD	1							\$
26-1	1	119810-12111	GASKET, MANIFOLD	1							N \$
(A=E36494)											
27	1	129150-12110	GASKET, MANIFOLD		1						\$
27-1	1	129150-12111	GASKET, MANIFOLD		1						N \$
(B=E12450)											
28	1	129550-12110	GASKET, MANIFOLD			1					\$
28-1	1	129550-12111	GASKET, MANIFOLD			1					N \$
(C=E07885)											
29	1	26106-080252	BOLT, M8X 25 PLATED	4	4						
30	1	26106-080352	BOLT, M8X 35 PLATED							5	
31	1	129120-77500	HEATER	1	1						
31-1	1	129120-77501	HEATER	1	1						N
(A=E0000) (B=E0000)											
32	1	129120-77501	HEATER			1					
33	1	129150-77510	GASKET	1	1	1					\$
33-1	1	129150-77511	GASKET	1	1	1					N \$
(A=E36494) (B=E12450) (C=E07885)											
34	1	26106-080352	BOLT, M8X 35 PLATED	4	4	4					

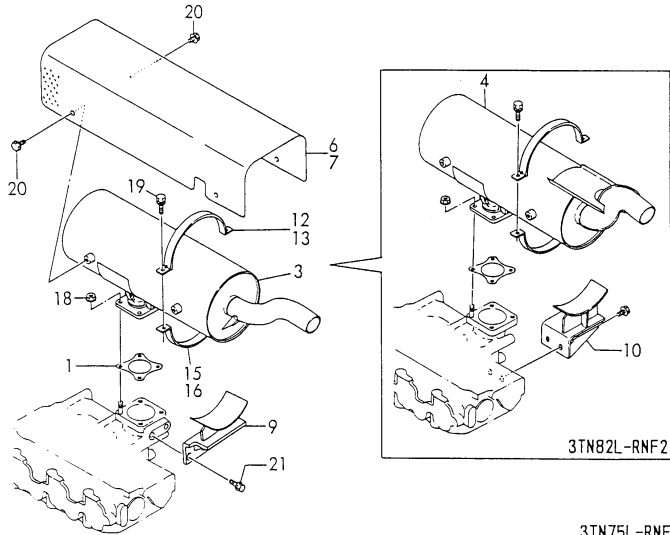
Remarks

(\$) THESE PARTS ARE SOLD BY FIG.24,  
 REF.NO.1,1-1,2,2-1,3,3-1.



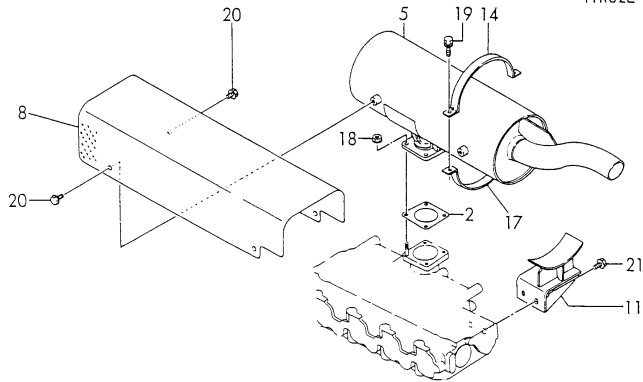
# Fig.10. SILENCER

D19841-93100  
D29111-93120  
D29411-93140



3TN75L-RNF2

4TN82L-RNF2



(A)=3TN75L-RNF2  
(B)=3TN82L-RNF2  
(C)=4TN82L-RNF2

(D)=  
(E)=  
(F)=

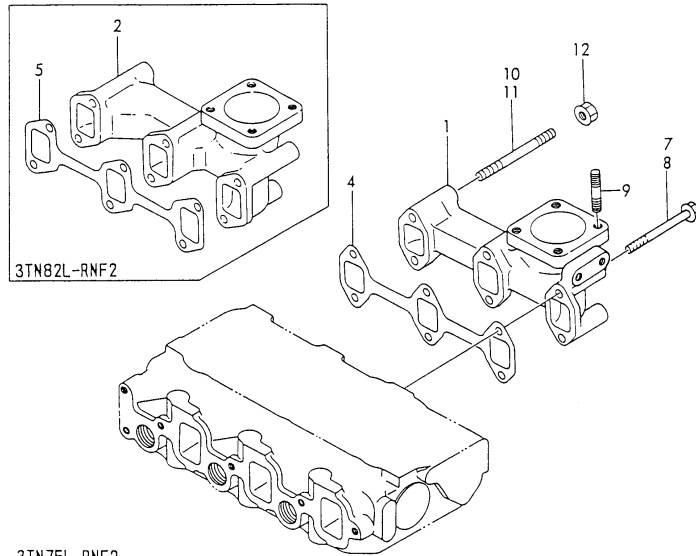
No.	Lev.	Parts No.	Description	Q'ty						I	R
				(A)	(B)	(C)	(D)	(E)	(F)		
1	1	121000-13200	GASKET, SILENCER	1	1						\$
1-1	1	121000-13201	GASKET, SILENCER	1	1						N \$
				(A=*1992.01)		(B=*1992.01)					
2	1	129400-13200	GASKET, SILENCER						1		\$
2-1	1	129400-13201	GASKET, SILENCER						1		N \$
				(C=E07885)							
3	1	119888-13500	SILENCER	1							
4	1	129111-13500	SILENCER		1						
5	1	129411-13500	SILENCER			1					
6	1	119888-13600	COVER, SILENCER	1							
7	1	129111-13600	COVER, SILENCER		1						
8	1	129411-13600	COVER, SILENCER			1					
9	1	119888-13651	STAY, SILENCER	1							
10	1	129111-13650	STAY, SILENCER		1						
11	1	129411-13650	STAY, SILENCER			1					
12	1	119888-13670	BAND, SILENCER	1							
13	1	129111-13670	BAND, SILENCER		1						
14	1	129411-13670	BAND, SILENCER			1					
15	1	119888-13680	BAND, SILENCER	1							
16	1	129111-13680	BAND, SILENCER		1						
17	1	129411-13680	BAND, SILENCER			1					
18	1	194990-22050	NUT, M8	4	4	4					
19	1	26014-080302	BOLT, M8X 30	2	2	2					
20	1	26106-080102	BOLT, M8X 10 PLATED	4	4	4					
21	1	26106-080142	BOLT, M8X 14 PLATED	2	2	2					

Remarks

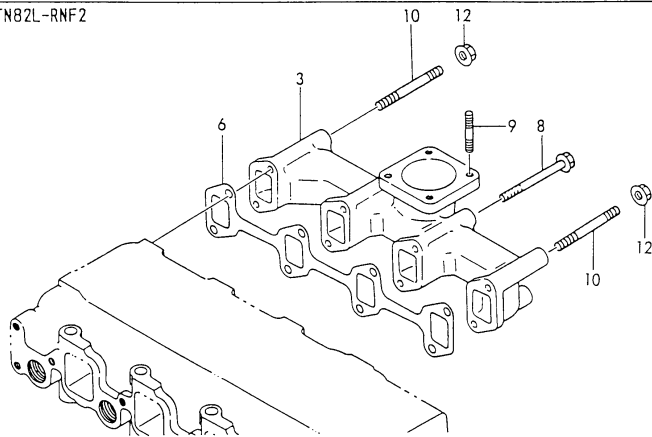
(\$) THESE PARTS ARE SOLD BY FIG.24,  
REF.NO.1,1-1,2,2-1,3,3-1.

Fig.11. EXHAUST MANIFOLD

D19888-13100TK  
 D29411-13100TK  
 U71350-13100TK



3TN75L-RNF2  
 4TN82L-RNF2



(A)=3TN75L-RNF2  
 (B)=3TN82L-RNF2  
 (C)=4TN82L-RNF2

(D)=  
 (E)=  
 (F)=

No.	Lev.	Parts No.	Description	Q'ty						I	R
				(A)	(B)	(C)	(D)	(E)	(F)		
1	1	119888-13101	MANIFOLD, EXHAUST	1							
2	1	171350-13100	MANIFOLD, EXHAUST		1						
3	1	129411-13100	MANIFOLD, EXHAUST			1					
4	1	119810-13110	GASKET	1							\$
5	1	129150-13110	GASKET		1						\$
6	1	129550-13110	GASKET			1					\$
7	1	26106-080602	BOLT, M8X 60 PLATED	4							
8	1	26106-080802	BOLT, M8X 80 PLATED		4	6					
9	1	26216-080222	STUD, M8X 22	4	4	4					
10	1	26216-080802	STUD, M8X 80		2	2					
11	1	26226-080602	STUD, M8X 60	2							
12	1	194990-22050	NUT, M8	2	2	2					

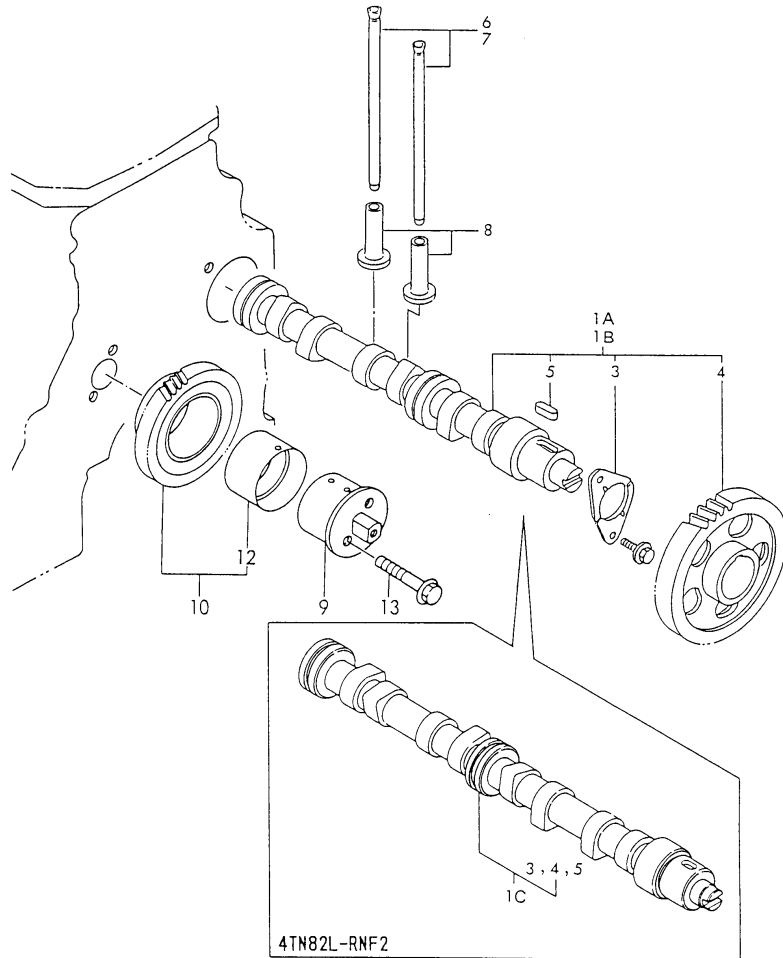
Remarks  
 (\$) THESE PARTS ARE SOLD BY FIG.24,  
 REF.NO.1,1-1,2,2-1,3,3-1.

Fig.12. CAMSHAFT & DRIVE GEAR

(A)=3TN75L-RNF2  
 (B)=3TN82L-RNF2  
 (C)=4TN82L-RNF2

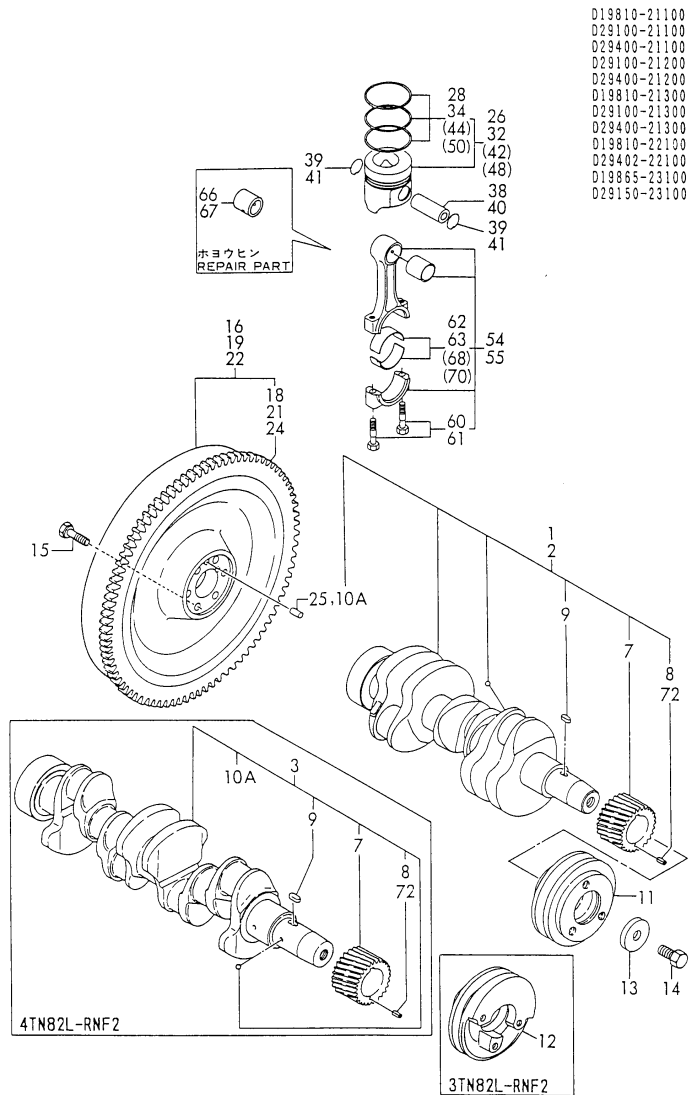
(D)=  
 (E)=  
 (F)=

D19865-14100  
 D29129-14100  
 D29400-14110  
 D29100-25101



No.	Lev.	Parts No.	Description	Q'ty						I	R
				(A)	(B)	(C)	(D)	(E)	(F)		
1A	1	119810-14580 (A=E43236)	CAMSHAFT ASSY	1							W
1B	1	129129-14580	CAMSHAFT ASSY		1						W
1C	1	729402-14580 (B=EXXX) (C=EXXX)	CAMSHAFT ASSY			1					W
3	2	129150-02450 (A=EXXX) (B=EXXX) (C=EXXX)	BEARING, THRUST	1	1	1					W
4	2	129150-14101	GEAR, CAMSHAFT	1	1	1					
5	2	22512-070140	KEY, 7X 14	1	1	1					
6	1	119810-14400	ROD, PUSH	6							
7	1	129150-14400	ROD, PUSH L=178			6	8				
8	1	129150-14200	TAPPET	6	6	8					
9	1	129100-25061	SHAFT, IDLE	1	1	1					
10	1	129150-25101	GEAR ASSY, IDLE	1	1	1					
12	2	129150-25061	BUSH, IDLE GEAR	1	1	1					
13	1	26106-080452	BOLT, M8X 45 PLATED	2	2	2					

Fig.13. CRANKSHAFT & PISTON



019810-21100  
029100-21100  
029400-21100  
029100-21200  
029400-21200  
019810-21300  
029100-21300  
029400-21300  
019810-22100  
029402-22100  
019865-23100  
029150-23100

(A)=3TN75L-RNF2  
(B)=3TN82L-RNF2  
(C)=4TN82L-RNF2

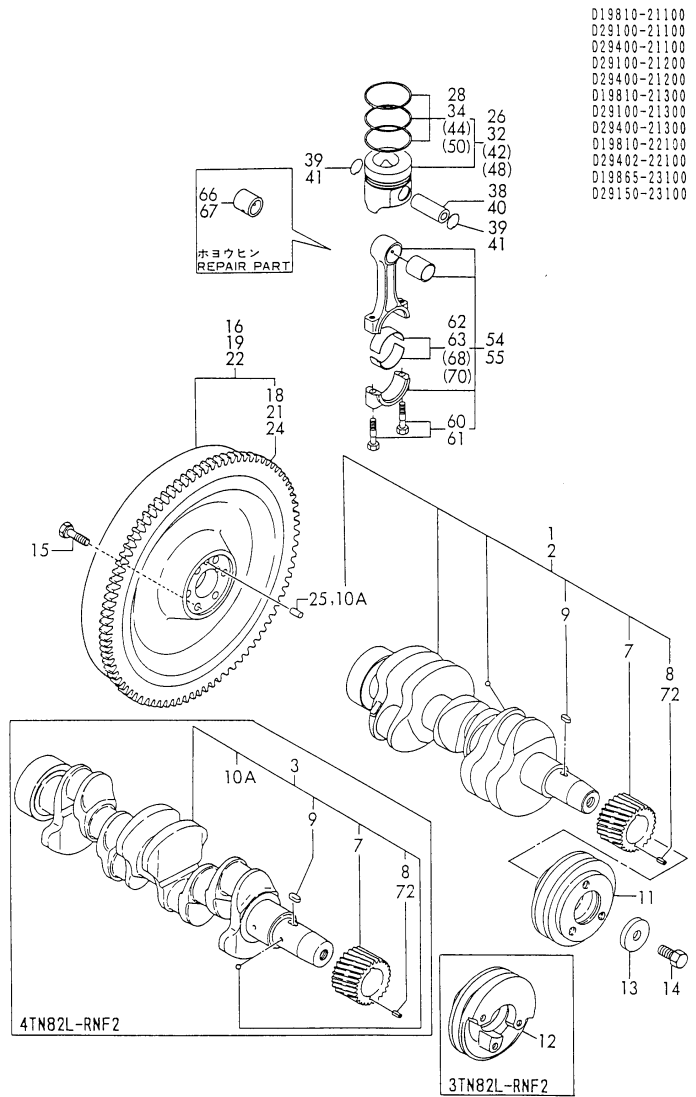
(D)=  
(E)=  
(F)=

No.	Lev.	Parts No.	Description	Q'ty						I	R
				(A)	(B)	(C)	(D)	(E)	(F)		
1	1	719810-21701	CRANKSHAFT ASSY	1							
1-1	1	719810-21700	CRANKSHAFT ASSY	1							N
(A=*1990.)											
2	1	729102-21700	CRANKSHAFT ASSY		1						
3	1	729400-21700	CRANKSHAFT ASSY			1					
7	2	129150-21200	GEAR, CRANKSHAFT	1	1	1					
8	2	22351-040010	PIN, SPRING 4.0X10	1	1	1					Z
(A=*1990.) (B=*1990.) (C=*1990.)											
9	2	22512-070140	KEY, 7X 14	1	1	1					
10A	2	129100-01580	PIN, M8X16	1	1	1					W
(A=*1990.) (B=*1990.) (C=*1990.)											
11	1	171301-21650	V-PULLEY	1		1					
12	1	171340-21650	V-PULLEY		1						
13	1	129795-21661	WASHER	1	1	1					
14	1	121850-21680	BOLT	1	1	1					
15	1	121111-21501	BOLT, FLYWHEEL	6	6	6					
16	1	171301-21580	FLYWHEEL ASSY	1							
18	2	119865-21600	GEAR, RING	1							
19	1	171340-21580	FLYWHEEL ASSY		1						
21	2	119865-21600	GEAR, RING		1						
22	1	171420-21580	FLYWHEEL ASSY			1					
24	2	119865-21600	GEAR, RING			1					
25	1	129100-01580	PIN, M8X16	1	1	1					Z
(A=*1990.) (B=*1990.) (C=*1990.)											
26	1	119810-22090	PISTON ASSY	3							
28	2	719888-22500	RING SET, PISTON	3							
28-1	2	719810-22500	RING SET, PISTON	3							N
(A=E36494)											
32	1	129402-22090	PISTON ASSY		3	4					
34	2	729120-22500	RING SET, PISTON		3	4					
38	1	129150-22300	PIN, PISTON D26 L66		3	4					
39	1	121100-22400	CIRCLIP		6	8					
40	1	119810-22300	PIN, PISTON	3							
41	1	119810-22400	CIRCLIP	6							
42	1	719810-22910	PISTON ASSY, 0.25 OS	3							1
44	2	719810-22960	RING SET, 0.25 OS	3							1
48	1	729402-22910	PISTON ASSY, 0.25 OS		3	4					1
50	2	729120-22950	RING SET, 0.25 OS		3	4					1
54	1	719810-23700	ROD ASSY, CONNECTING	3							
54-1	1	719810-23100	ROD ASSY, CONNECTING	3							N
(A=E36494)											
55	1	729150-23700	ROD ASSY, CONNECTING		3	4					
55-1	1	729402-23100	ROD ASSY, CONNECTING		3	4					N
(B=E12450) (C=E07885)											
60	2	119810-23200	BOLT, CONNECTING ROD	6							
61	2	121550-23200	BOLT, CONNECTING ROD		6	8					
62	2	719810-23600	BEARING, CRANK PIN	3							
62-1	2	119810-23600	BEARING, CRANK PIN	3							N
(A=EXXX)											
63	2	729150-23600	BEARING, CRANK PIN		3	4					
63-1	2	129150-23600	BEARING, CRANK PIN		3	4					N

Remarks

- (1) OVER-SIZED(O.S=0.25)PART.
- (2) REPAIR PART.
- (3) UNDER-SIZED(U.S=0.25)PART.

Fig.13. CRANKSHAFT & PISTON



No.	Lev.	Parts No.	Description	Q'ty						I	R	
				(A)	(B)	(C)	(D)	(E)	(F)			
		(B=EXXX)	(C=EXXX)									
66	1	119810-23910	BEARING, PISTON PIN	3								2
67	1	129100-23910	BEARING, PISTON PIN		3	4						2
68	1	119810-23610	BEARING, 0.25 US	3								3
70	1	129150-23610	BEARING, 0.25 US		3	4						3
72	1	22351-040010	PIN, SPRING 4.0X10	1	1	1						W
		(A=*1990.)	(B=*1990.)	(C=*1990.)								

---

---

---

---

---

---

---

---

---

---

---

---

---

---

---

---

---

---

---

---

---

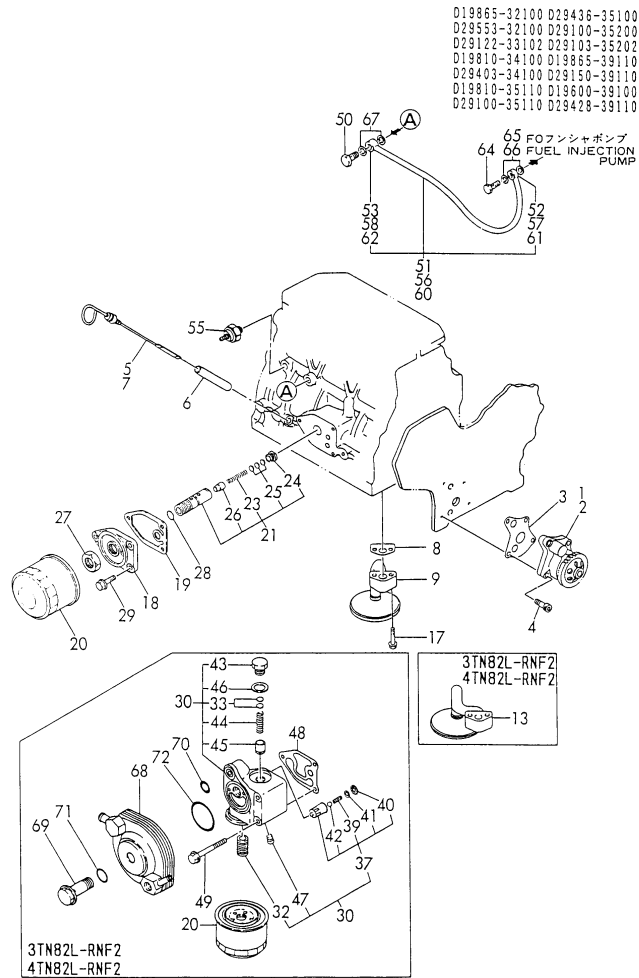
---

---

---

Remarks  
 (1) OVER-SIZED(O.S=0.25)PART.  
 (2) REPAIR PART.  
 (3) UNDER-SIZED(U.S=0.25)PART.

# Fig.14. LUBRICATING OIL SYSTEM



No.	Lev.	Parts No.	Description	Q'ty						I	R
				(A)	(B)	(C)	(D)	(E)	(F)		
1	1	119810-32000	PUMP ASSY, OIL	1							
1-1	1	129001-32001	PUMP ASSY, OIL	1						S	1
(A=E48916)											
2	1	129553-32000	PUMP ASSY, OIL		1	1					
2-1	1	129418-32000	PUMP ASSY, OIL		1	1				S	2
(B=E21983) (C=E18227)											
3	1	129150-32020	GASKET, PUMP	1	1	1					\$
4	1	26450-060252	BOLT, M6X 25	4	4	4					
5	1	119600-34800	DIPSTICK, OIL	1							
6	1	121520-34810	GUIDE, DIPSTICK	1	1	1					
7	1	171420-34820	DIPSTICK, OIL		1	1					
7-1	1	129403-34800	DIPSTICK, OIL		1	1					N
(B=EXXX) (C=EXXX)											
8	1	129150-35040	GASKET	1	1	1					\$
8-1	1	129150-35041	GASKET	1	1	1				N	\$
(A=E36494) (B=E12450) (C=E07885)											
9	1	119810-35300	PIPE ASSY, OIL INLET	1							
13	1	129100-35300	PIPE ASSY, OIL INLET		1	1					
13-1	1	129100-35301	PIPE ASSY, OIL INLET		1						N
(B=E10642)											
13-2	1	129436-35090	PIPE ASSY, OIL INLET			1					N
(C=EXXX)											
17	1	26116-080352	BOLT, M8X 35 PLATED	2	2	2					
17-1	1	26106-080352	BOLT, M8X 35 PLATED	2	2	2					N
(A=E43236) (B=EXXX) (C=EXXX)											
18	1	129150-35101	BRACKET, STRAINER	1							
19	1	129150-35110	GASKET	1							\$
19-1	1	129150-35111	GASKET	1						N	\$
(A=E36494)											
20	1	129150-35150	FILTER 90X80L	1	1	1					
20-1	1	129150-35151	FILTER, D80XL80	1	1	1					N
(A=E47864) (B=E19578) (C=E16477)											
21	1	119865-35300	VALVE ASSY, CONTROL	1							
21-1	1	129001-35300	BOLT, FILTER	1							S
(A=E48916)											
23	2	119865-35320	SPRING	1							Z
(A=E48916)											
24	2	119865-35330	RETAINER	1							Z
(A=E48916)											
25	2	129150-35340	SHIM SET	1							Z
(A=E48916)											
26	2	119865-35350	VALVE, CONTROL	1							Z
(A=E48916)											
27	1	129150-35350	NUT	1							
28	1	24311-000160	O-RING, 1AP16.0	1							
29	1	26106-080202	BOLT, M8X 20 PLATED	3							
30	1	129103-35101	BRACKET ASSY, FILTER		1	1					
30-1	1	129418-35100	BRACKET ASSY		1	1					S
(B=E21983) (C=E18227)											
32	2	129100-35140	STUD		1	1					
33	2	121850-35200	SHIM SET		1	1					Z

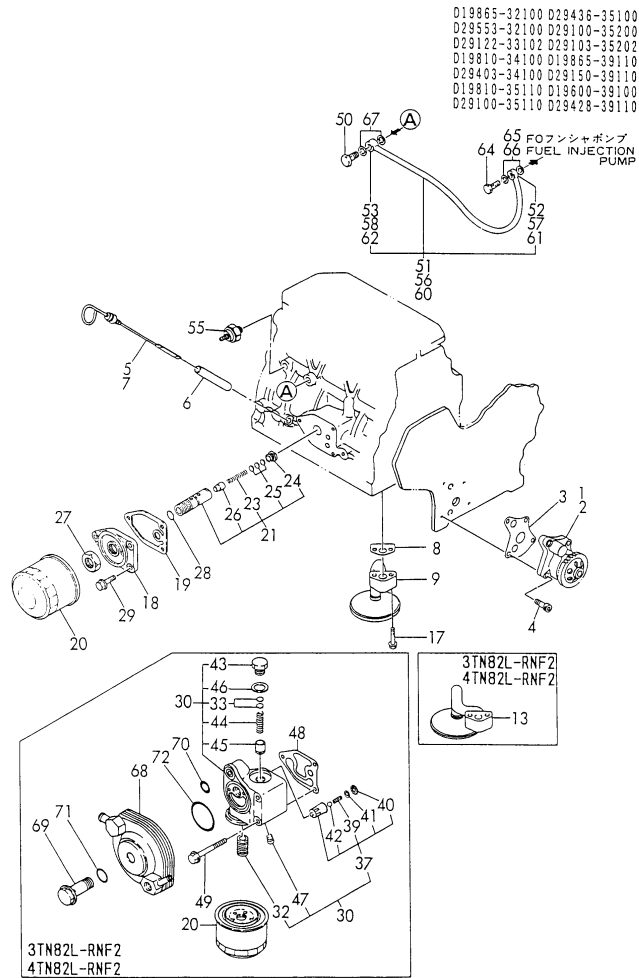
**Remarks**

(S) THESE PARTS ARE SOLD BY FIG.24, REF.NO.1,1-1,2,2-1,3,3-1.

(1) REF.NO.1-1 & 21-1 INTERCHANGEABLE BY SET.

(2) REF.NO.2-1 & 30-1 INTERCHANGEABLE BY SET.

Fig.14. LUBRICATING OIL SYSTEM



No.	Lev.	Parts No.	Description	Qty						I	R	
				(A)	(B)	(C)	(D)	(E)	(F)			
			(B=E21983) (C=E18227)									
37	2	129553-35500	VALVE ASSY, BYPASS		1	1						Z
			(B=EXXX) (C=EXXX)									
43	2	124223-35510	RETAINER, SPRING		1	1						
44	2	121850-35520	SPRING		1	1						Z
			(B=E21983) (C=E18227)									
45	2	121850-35531	VALVE, CONTROL		1	1						Z
			(B=E21983) (C=E18227)									
46	2	23414-180000	GASKET, 18X1.0		1	1						Z
			(B=E21983) (C=E18227)									
47	2	23871-020000	PLUG, R02		1	1						Z
			(B=E21983) (C=E18227)									
47A	2	22871-020000	PLUG PT1/4		1	1						W
			(B=E21983) (C=E18227)									
47B	2	27241-200000	PLUG, 20		1	1						W
			(B=E21983) (C=E18227)									
47C	2	22312-060080	PIN, PARALLEL M6X 8		2	2						W
			(B=E21983) (C=E18678)									
48	1	129103-35121	GASKET		1	1						\$
48-1	1	129103-35122	GASKET		1	1						N \$
			(B=E12450) (C=E07885)									
49	1	26106-080752	BOLT, M8X 75 PLATED			3	3					
50	1	124160-39140	BOLT, PIPE JOINT M10		1	1	1					
51	1	119810-39200	PIPE ASSY, OIL		1							
52	2	129150-39150	JOINT		1							
53	2	129150-39180	JOINT		1							
55	1	124160-39450	SWITCH, 0.5KG		1	1	1					
56	1	129150-39450	PIPE ASSY, OIL		1							
57	2	129150-39150	JOINT		1							
58	2	129150-39180	JOINT		1							
60	1	129550-39450	PIPE ASSY, OIL				1					
61	2	129150-39150	JOINT				1					
62	2	129150-39180	JOINT				1					
64	1	124550-59820	BOLT, PIPE JOINT M8		1	1	1					
65	1	23414-080000	GASKET, 8X1.0		2	2						
65-1	1	43400-500410	SEAL WASHER 8S		2							N
			(A=E43236)									
66	1	43400-500410	SEAL WASHER 8S				2					
67	1	23414-100000	GASKET, 10X1.0		2	2	2					
68	1	129103-33031	COOLER, OIL		1	1						
69	1	129103-33132	BOLT		1	1						
70	1	24311-000200	O-RING, 1AP20.0		1	1						
71	1	24311-000210	O-RING, 1AP21.0		1	1						
72	1	24321-000550	O-RING, 1AG55.0		1	1						

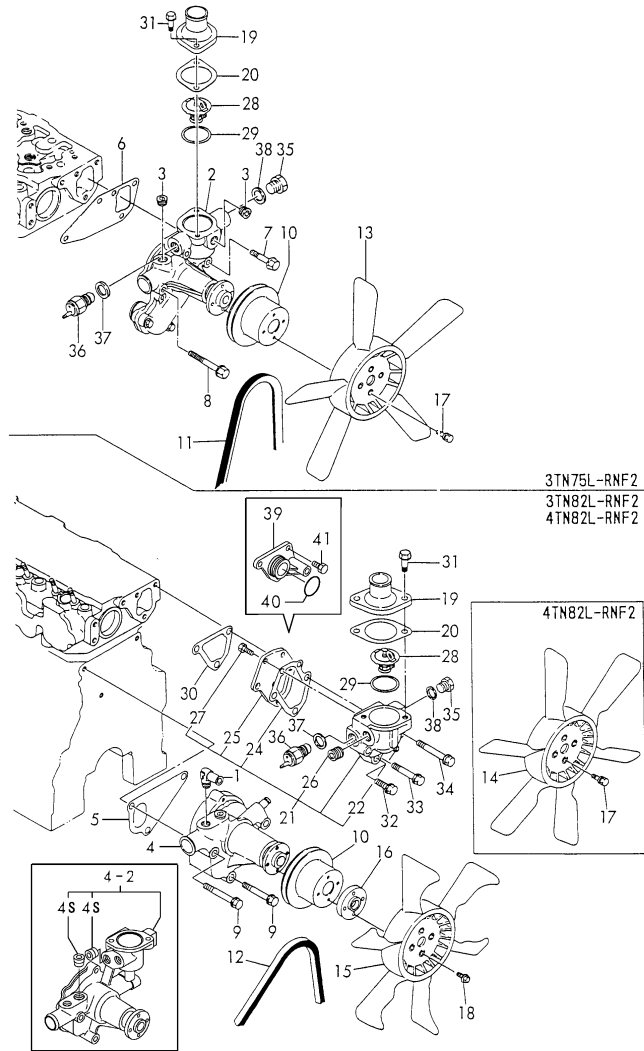
Remarks

(S) THESE PARTS ARE SOLD BY FIG.24,  
 REF.NO.1,1-1,2,2-1,3,3-1.

(1) REF.NO.1-1 & 21-1 INTERCHANGEABLE  
 BY SET.

(2) REF.NO.2-1 & 30-1 INTERCHANGEABLE  
 BY SET.

Fig.15. COOLING WATER SYSTEM



(A)=3TN75L-RNF2  
(B)=3TN82L-RNF2  
(C)=4TN82L-RNF2

(D)=  
(E)=  
(F)=

No.	Lev.	Parts No.	Description	Q'ty						I	R
				(A)	(B)	(C)	(D)	(E)	(F)		
1	1	129103-49301	ELBOW, PT1/4		1	1					
2	1	119810-42000	PUMP ASSY, WATER	1							
2-1	1	119810-42001	PUMP ASSY, WATER	1							N
(A=E36494)											
3	2	23871-030000	PLUG, R03	2							
4	1	129100-42001	PUMP ASSY, WATER		1	1					
4-1	1	129100-42002	PUMP ASSY, WATER		1	1					N
(B=E12450) (C=E07885)											
4-2	1	129001-42001	PUMP ASSY, WATER		1	1					F 1
(B=EZZZZZ) (C=E21589)											
4S	2	23871-030000	PLUG, R03		2	2					W
(B=EZZZZZ) (C=E21589)											
5	1	129100-42020	GASKET, WATER PUMP		1	1					\$
6	1	129150-42020	GASKET, WATER PUMP	1							\$
7	1	26106-080352	BOLT, M8X 35 PLATED	1							
8	1	26106-080552	BOLT, M8X 55 PLATED	2							
8-1	1	26106-080552	BOLT, M8X 55 PLATED	3							K
(A=*1990.)											
9	1	26106-080602	BOLT, M8X 60 PLATED		3	3					
10	1	129403-42380	V-PULLEY, D=110	1	1	1					
11	1	119831-42290	V-BELT, A37.5	1							
12	1	124732-42290	V-BELT, AX37		1	1					
13	1	124700-44740	FAN, COOLING 5X310	1							
14	1	129403-44740	FAN, COOLING 370			1					
15	1	171340-44740	FAN, COOLING D335XNF		1						
16	1	124574-44761	SPACER, FAN		1						
17	1	26014-060162	BOLT, M6X 16	4		4					
18	1	26014-060252	BOLT, M6X 25		4						
19	1	129350-49530	COVER, THERMOSTAT	1	1	1					
19-1	1	129350-49560	COVER, THERMOSTAT		1	1					F 1
(B=EZZZZZ) (C=E21589)											
20	1	129795-49550	GASKET	1	1	1					\$
20-1	1	129795-49551	GASKET	1	1	1					N \$
(A=E36494) (B=E12450) (C=E07885)											
21	1	129100-49800	CASE ASSY,THERMOSTAT		1	1					Z
(B=EZZZZZ) (C=E21589)											
22	2	124770-11770	JOINT, PIPE PT1/8		1	1					Z
(B=EZZZZZ) (C=E21589)											
24	2	129100-49820	GASKET		1	1					Z
(B=EZZZZZ) (C=E21589)											
25	2	129100-49830	COVER, THERMOSTAT		1	1					Z
(B=EZZZZZ) (C=E21589)											
26	2	23871-030000	PLUG, R03		1	1					Z
(B=EZZZZZ) (C=E21589)											
27	2	26116-060162	BOLT, M6X 16 PLATED		2	2					Z
(B=EZZZZZ) (C=E21589)											
28	1	129155-49800	THERMOSTAT, 71	1	1	1					
29	1	129150-49810	GASKET, THERMOSTAT	1	1	1					\$
29-1	1	129150-49811	GASKET, THERMOSTAT	1	1	1					N \$
(A=E36494) (B=E12450) (C=E07885)											
30	1	129100-49840	GASKET		1	1					\$

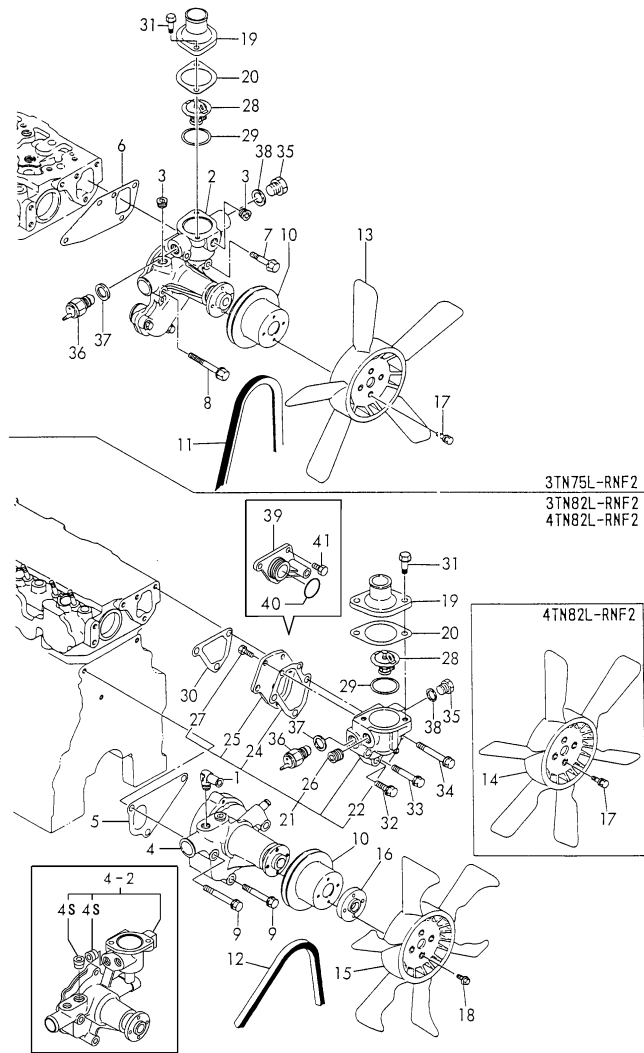
Remarks

(G) These parts are sold by Fig.24 Ref.No.1, 1-1, 2, 2-2, 3, 3-1.

(1) Interchangeable by simultaneous replacement with Ref.No.4-2, 19-1 and Fig.23 Ref.No.20-1.



Fig.15. COOLING WATER SYSTEM



(A)=3TN75L-RNF2  
(B)=3TN82L-RNF2  
(C)=4TN82L-RNF2

(D)=  
(E)=  
(F)=

No.	Lev.	Parts No.	Description	Qty						I	R
				(A)	(B)	(C)	(D)	(E)	(F)		
31	1	26106-080202	BOLT, M8X 20 PLATED	2	2	2					
32	1	26106-080252 (B=EZZZZZ) (C=E21589)	BOLT, M8X 25 PLATED		1	1					Z
33	1	26106-080502 (B=EZZZZZ) (C=E21589)	BOLT, M8X 50 PLATED		1	1					Z
34	1	26106-080602 (B=EZZZZZ) (C=E21589)	BOLT, M8X 60 PLATED		1	1					Z
35	1	121450-42450	PLUG, M16	1	1	1					
36	1	121250-44901	SWITCH, 110	1	1	1					
37	1	124465-44950	GASKET, 16	1	1	1					
38	1	124465-44950	GASKET, 16	1	1	1					
39	1	129001-42040 (B=EZZZZZ) (C=E21589)	JOINT		1	1					W
40	1	24321-000300 (B=EZZZZZ) (C=E21589)	O-RING, 1AG30.0		1	1					W
41	1	26106-080182 (B=EZZZZZ) (C=E21589)	BOLT, M8X 18 PLATED		3	3					W

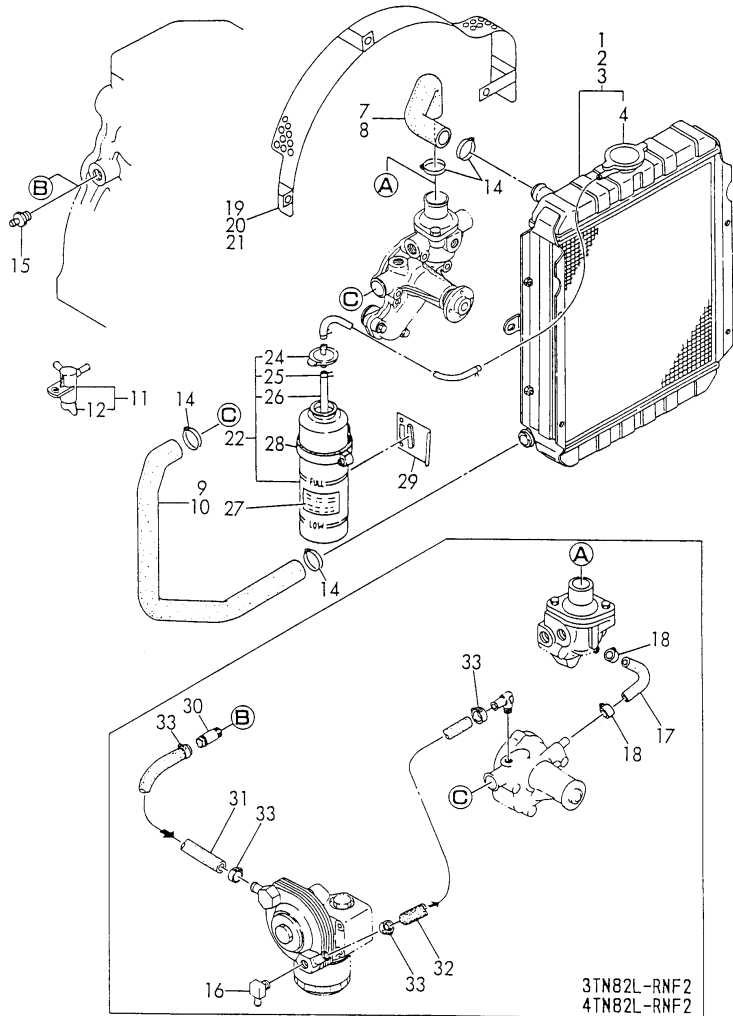
Remarks

(G) These parts are sold by Fig.24 Ref.No.1, 1-1, 2, 2-2, 3, 3-1.

(1) Interchangeable by simultaneous replacement with Ref.No.4-2, 19-1 and Fig.23 Ref.No.20-1.

Fig.16. RADIATOR & COOLING WATER PIPE

D19600-49300 D19841-93100  
 D29403-49300 D29111-93120  
 D29403-49411 D29411-93140  
 D29100-49500 D29258-49400



(A)=3TN75L-RNF2  
 (B)=3TN82L-RNF2  
 (C)=4TN82L-RNF2

(D)=  
 (E)=  
 (F)=

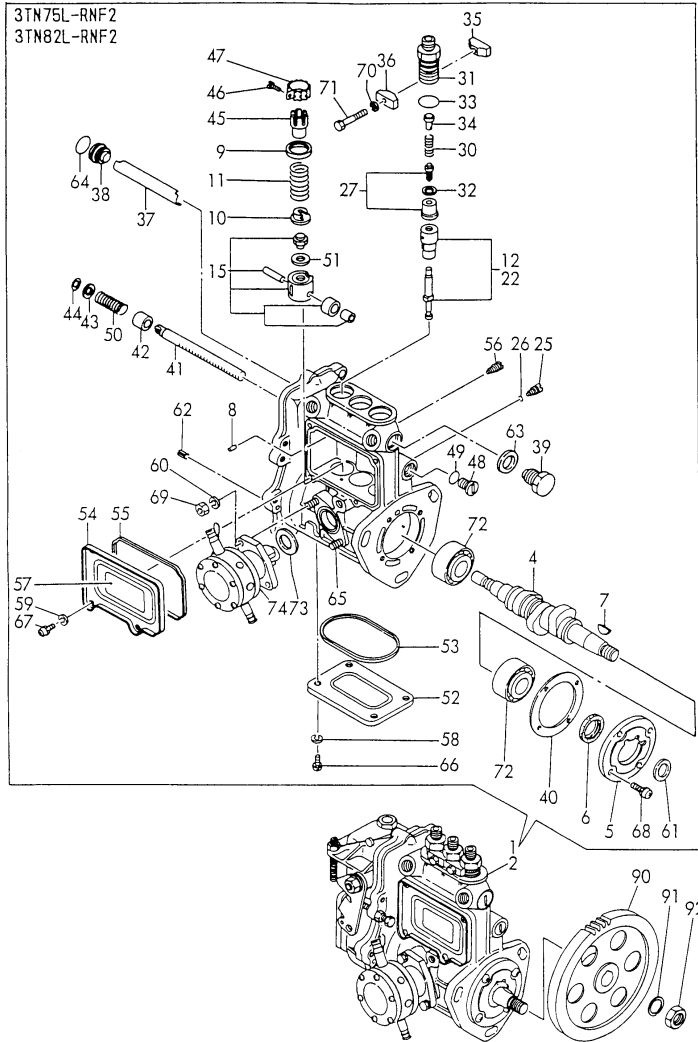
No.	Lev.	Parts No.	Description	Q'ty						I	R
				(A)	(B)	(C)	(D)	(E)	(F)		
1	1	171301-44500	RADIATOR	1							
2	1	171440-44500	RADIATOR		1						
3	1	171460-44500	RADIATOR			1					
4	2	123682-44210	CAP, RADIATOR	1	1	1					
5	1	124764-44800	LABEL, RADIATOR	1	1	1					
6	1	124764-44920	LABEL, ANTI-FREEZING	1	1	1					
7	1	171301-49010	PIPE, WATER	1	1						
8	1	171420-49010	PIPE, WATER				1				
9	1	171301-49020	PIPE, WATER	1	1						
10	1	171420-49020	PIPE, WATER						1		
11	1	129150-49100	COCK ASSY, 3-WAY	1	1	1					
12	2	129150-49080	COCK, DRAIN	1	1	1					
14	1	23010-038000	CLAMP, 38	4	4	4					
15	1	121550-49111	JOINT, PT1/4	1							
16	1	121750-49110	JOINT		1	1					
17	1	129100-49050	PIPE, WATER		1	1					
18	1	23000-016000	CLAMP, 16		2	2					
19	1	129111-44560	PROTECTOR, FAN		1						
20	1	129411-44560	PROTECTOR, FAN				1				
21	1	171301-44560	PROTECTOR, FAN	1							
22	1	124450-44510	TANK ASSY, SUB	1	1	1					
24	2	124450-44530	CAP	1	1	1					
25	2	124450-44560	RETAINER	1	1	1					
26	2	23061-070230	PIPE, 7X 230	1	1	1					
27	1	121470-44540	LABEL, SUB-TANK	1	1	1					
27-1	1	124764-44810	LABEL, SUB TANK	1	1	1					N
		(A=EXXX) (B=EXXX) (C=EXXX)									
28	1	124450-44550	BAND	1	1	1					
29	1	121256-44600	BRACKET, SUB TANK	1	1	1					
30	1	129122-44480	JOINT		1	1					
31	1	129403-49031	PIPE, WATER		1	1					
32	1	129403-49050	PIPE, WATER		1	1					
32-1	1	129258-49040	PIPE, WATER		1						N
		(B=EXXX)									
33	1	23000-022000	CLAMP, 22		4	4					

Fig.17. FUEL INJECTION SYSTEM

(A)=3TN75L-RNF2  
 (B)=3TN82L-RNF2  
 (C)=4TN82L-RNF2

(D)=  
 (E)=  
 (F)=

029100-25200  
 719810-51400  
 729102-51400



No.	Lev.	Parts No.	Description	Q'ty						I	R
				(A)	(B)	(C)	(D)	(E)	(F)		
1	1	719810-51400	PUMP ASSY, INJECTION	1							1
2	1	729102-51400	PUMP ASSY, INJECTION		1						1
4	2	119810-51040	CAMSHAFT	1	1						
5	2	129470-51060	RETAINER, BEARING	1	1						
6	2	129470-51080	SEAL, AF0741F0	1	1						
7	2	122710-51090	KEY	1	1						
8	2	129155-51140	PIN	3	3						
9	2	174307-51170	RETAINER, SPRING A	3	3						
10	2	129155-51180	RETAINER, SPRING	3	3						
11	2	124950-51190	SPRING, PLUNGER	3	3						
12	2	119810-51200	PLUNGER ASSY	3							
15	2	129155-51200	TAPPET ASSY	3	3						
22	2	129400-51200	PLUNGER ASSY		3						
25	2	129155-51270	STOPPER, TAPPET	3	3						
26	2	129155-51280	O-RING, S6	3	3						
27	2	128170-51300	VALVE ASSY, DELIVERY	3	3						
30	2	129155-51320	SPRING, DELIVERY	3	3						
31	2	129155-51340	RETAINER	3	3						
32	2	124550-51350	GASKET, DELIVERY	3	3						
33	2	124550-51370	O-RING	3	3						
34	2	129155-51370	STOPPER, VALVE	3	3						
35	2	129155-51380	STOPPER	2	2						
36	2	129155-51390	STOPPER	2	2						
37	2	129155-51400	DEFLECTOR	1	1						
38	2	129155-51410	BOLT	1	1						
39	2	129155-51420	PLUG, M16	1	1						
40	2	129155-51450	SHIM SET, ADJUSTING	1	1						
41	2	129155-51500	RACK, CONTROL	1	1						
42	2	129155-51521	BUSH, RACK	1	1						
43	2	129155-51530	SPACER	1	1						
44	2	129155-51540	CIRCLIP	1	1						
45	2	129155-51550	PINION, CONTROL	3	3						
46	2	122117-51560	SCREW	3	3						
47	2	174307-51560	PINION	3	3						
48	2	129155-51570	PLUG, M12	1	1						
49	2	129155-51580	O-RING	1	1						
50	2	129155-51591	SPRING, RACK	1	1						
51	2	129155-51600	SHIM SET, ADJUSTING	3	3						
52	2	129155-51700	COVER	1	1						
53	2	129155-51710	GASKET	1	1						
54	2	129155-51750	COVER	1	1						
55	2	129155-51760	GASKET	1	1						
56	2	129155-51790	STOOPER, RACK	1	1						
57	2	129156-51910	LABEL, CAUTION	1	1						
58	2	22217-050000	WASHER, SPRING 5	4	4						Z
		(A=EXXX) (B=EXXX)									
59	2	22217-050000	WASHER, SPRING 5	4	4						Z
		(A=EXXX) (B=EXXX)									
60	2	22217-060000	WASHER, SPRING 6	2	2						
61	2	22287-120000	WASHER, 12	1	1						Z
		(A=EXXX) (B=EXXX)									

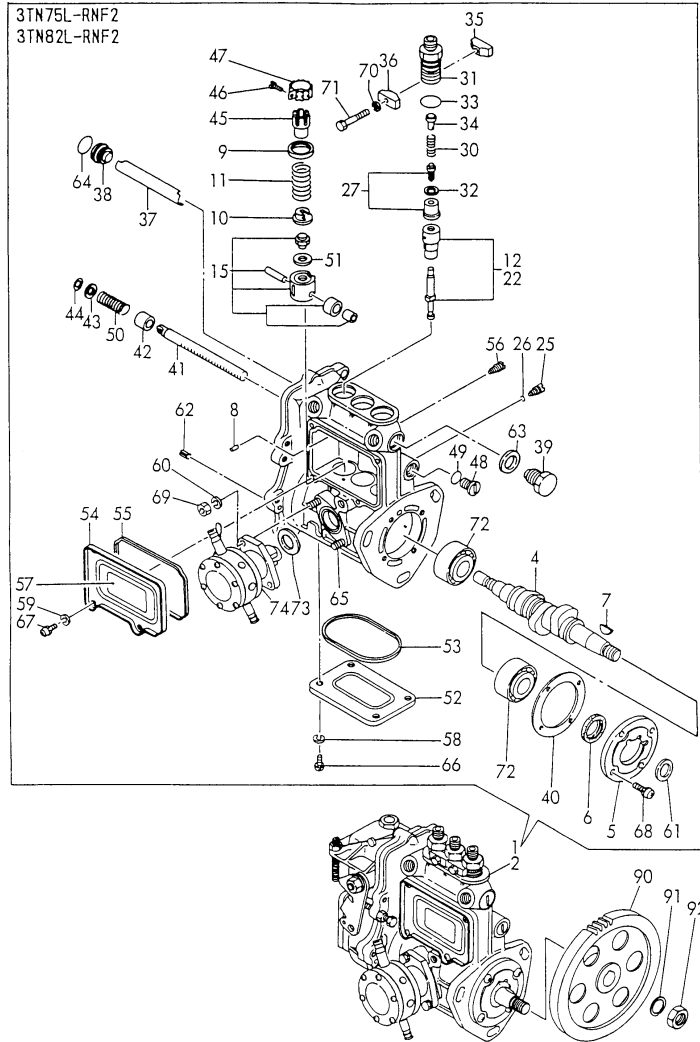
Remarks  
 (1) FIG.NO.21 IS INCORPORATED IN  
 REF.NO.1 & NO.2.

Fig.17. FUEL INJECTION SYSTEM

(A)=3TN75L-RNF2  
 (B)=3TN82L-RNF2  
 (C)=4TN82L-RNF2

(D)=  
 (E)=  
 (F)=

029100-25200  
 719810-51400  
 729102-51400

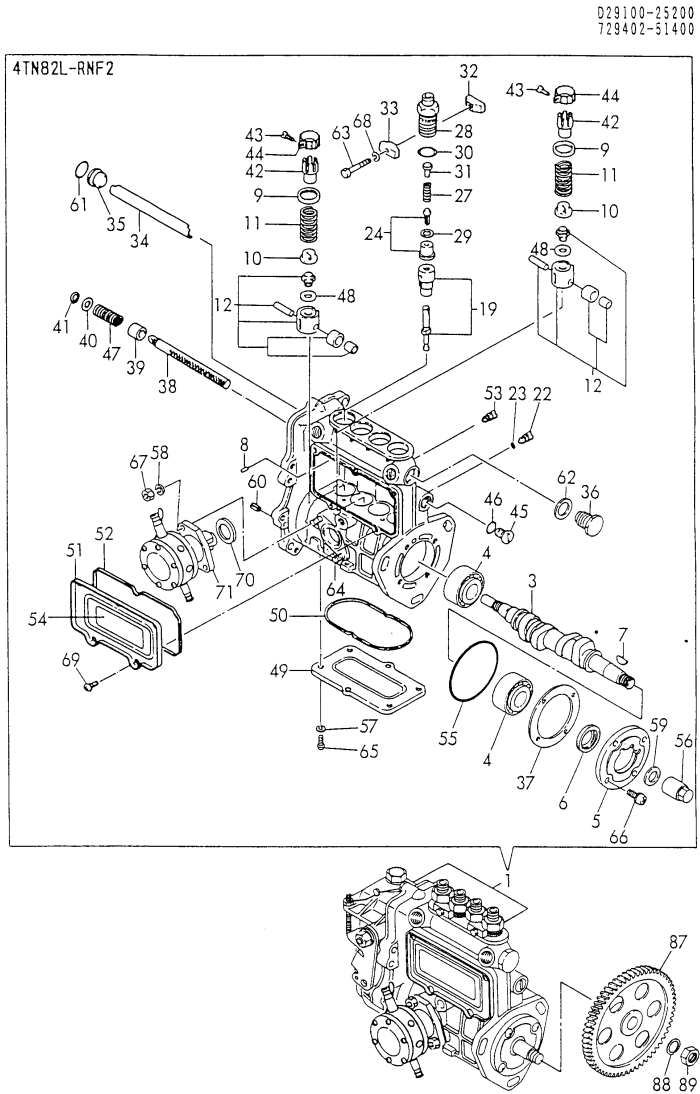


No.	Lev.	Parts No.	Description	Q'ty						I	R
				(A)	(B)	(C)	(D)	(E)	(F)		
62	2	22351-050010	PIN, SPRING 5.0X10	2	2						
63	2	43400-500490	SEAL WASHER 16S	1	1						
64	2	24341-000160	O-RING, 1AS16.0	1	1						
65	2	129155-51020	STUD	2	2						
66	2	26022-050102	SCREW, M5X10	4	4						
67	2	26022-050102	SCREW, M5X10	4	4						
68	2	26022-060162	SCREW, M6X16	4	4						
69	2	26716-060002	NUT, M6	2	2						
70	2	27217-050000	SPRING WASHER 5	2	2						Z
		(A=EXXX) (B=EXXX)									
71	2	26116-050309	BOLT M 5X 30 PLATED	2	2						
71-1	2	26116-050302	BOLT, M5X 30 PLATED	2	2						N
		(A=EXXX) (B=EXXX)									
72	2	122710-51050	BEARING, HR30203J	2	2						
73	2	129155-52050	GASKET	1	1						
74	2	129100-52100	PUMP ASSY, FUEL FEED	1	1						
90	1	129100-25900	GEAR, PUMP	1	1						
91	1	22217-120000	WASHER, SPRING 12	1	1						
92	1	26716-120002	NUT, M12	1	1						

Remarks  
 (1) FIG.NO.21 IS INCORPORATED IN  
 REF.NO.1 & NO.2.

Fig.18. FUEL INJECTION SYSTEM

(A)=3TN75L-RNF2 (D)=  
 (B)=3TN82L-RNF2 (E)=  
 (C)=4TN82L-RNF2 (F)=



No.	Lev.	Parts No.	Description	Qty						I	R
				(A)	(B)	(C)	(D)	(E)	(F)		
1	1	729402-51400	PUMP ASSY, INJECTION			1					1
3	2	129470-51040	CAMSHAFT			1					
4	2	122710-51050	BEARING, HR30203J			2					
5	2	129470-51060	RETAINER, BEARING			1					
6	2	129470-51080	SEAL, AF0741F0			1					
7	2	122710-51090	KEY			1					
8	2	129155-51140	PIN			4					
9	2	174307-51170	RETAINER, SPRING A			4					
10	2	129155-51180	RETAINER, SPRING			4					
11	2	124950-51190	SPRING, PLUNGER			4					
12	2	129155-51200	TAPPET ASSY			4					
19	2	129400-51200	PLUNGER ASSY			4					
22	2	129155-51270	STOPPER, TAPPET			4					
23	2	129155-51280	O-RING, S6			4					
24	2	128170-51300	VALVE ASSY, DELIVERY			4					
27	2	129155-51320	SPRING, DELIVERY			4					
28	2	129155-51340	RETAINER			4					
29	2	124550-51350	GASKET, DELIVERY			4					
30	2	124550-51370	O-RING			4					
31	2	129155-51370	STOPPER, VALVE			4					
32	2	129155-51380	STOPPER			2					
33	2	129155-51390	STOPPER			2					
34	2	129555-51400	DEFLECTOR			1					
35	2	129155-51410	BOLT			1					
36	2	129155-51420	PLUG, M16			1					
37	2	129155-51450	SHIM SET, ADJUSTING			1					
38	2	129555-51500	RACK, CONTROL			1					
39	2	129155-51521	BUSH, RACK			1					
40	2	129155-51530	SPACER			1					
41	2	129155-51540	CIRCLIP			1					
42	2	129155-51550	PINION, CONTROL			4					
43	2	122117-51560	SCREW			4					
44	2	174307-51560	PINION			4					
45	2	129155-51570	PLUG, M12			1					
46	2	129155-51580	O-RING			1					
47	2	129155-51591	SPRING, RACK			1					
48	2	129155-51600	SHIM SET, ADJUSTING			4					
49	2	129555-51700	COVER			1					
50	2	129555-51710	GASKET			1					
51	2	129555-51750	COVER			1					
52	2	129555-51760	GASKET			1					
53	2	129155-51790	STOOPER, RACK			1					
54	2	129156-51910	LABEL, CAUTION			1					
55	2	121850-51960	O-RING			1					Z
			(C=E-XXX)								
56	2	121850-61380	NUT			1					Z
			(C=E-XXX)								
57	2	22217-050000	WASHER, SPRING 5			6					Z
			(C=E-XXX)								
58	2	22217-060000	WASHER, SPRING 6			2					
59	2	22287-120000	WASHER, 12			1					Z

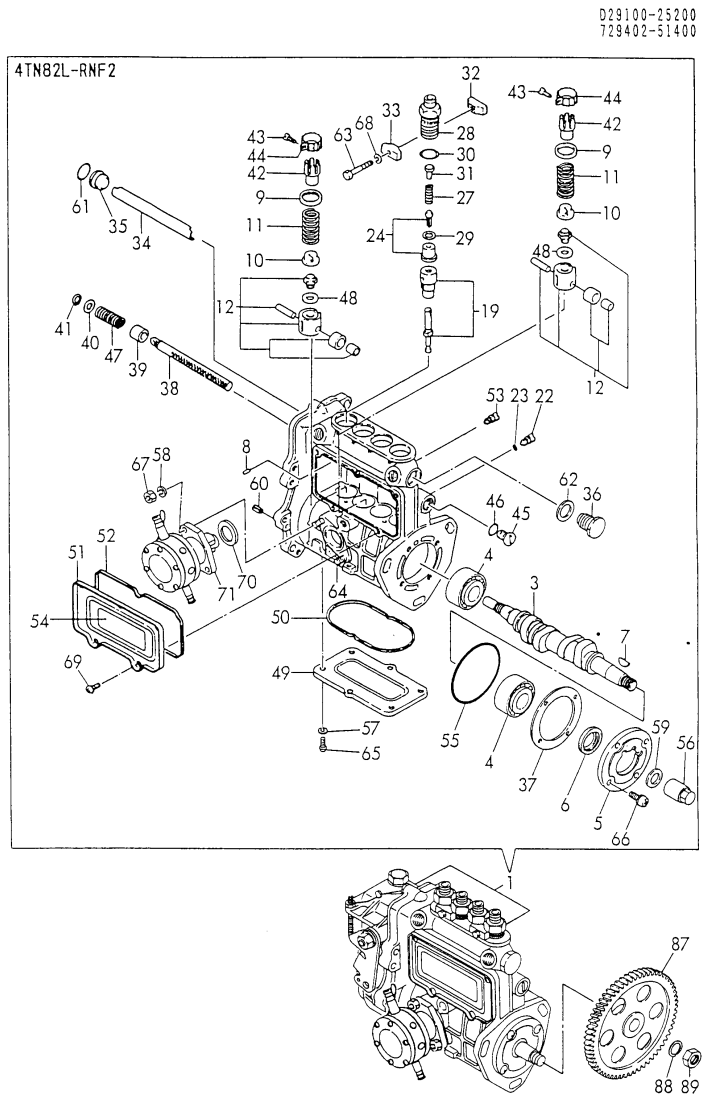
Remarks  
 (1) FIG.NO.21 IS INCORPORATED IN  
 REF.NO.1.

# Fig.18. FUEL INJECTION SYSTEM

(A)=3TN75L-RNF2  
 (B)=3TN82L-RNF2  
 (C)=4TN82L-RNF2

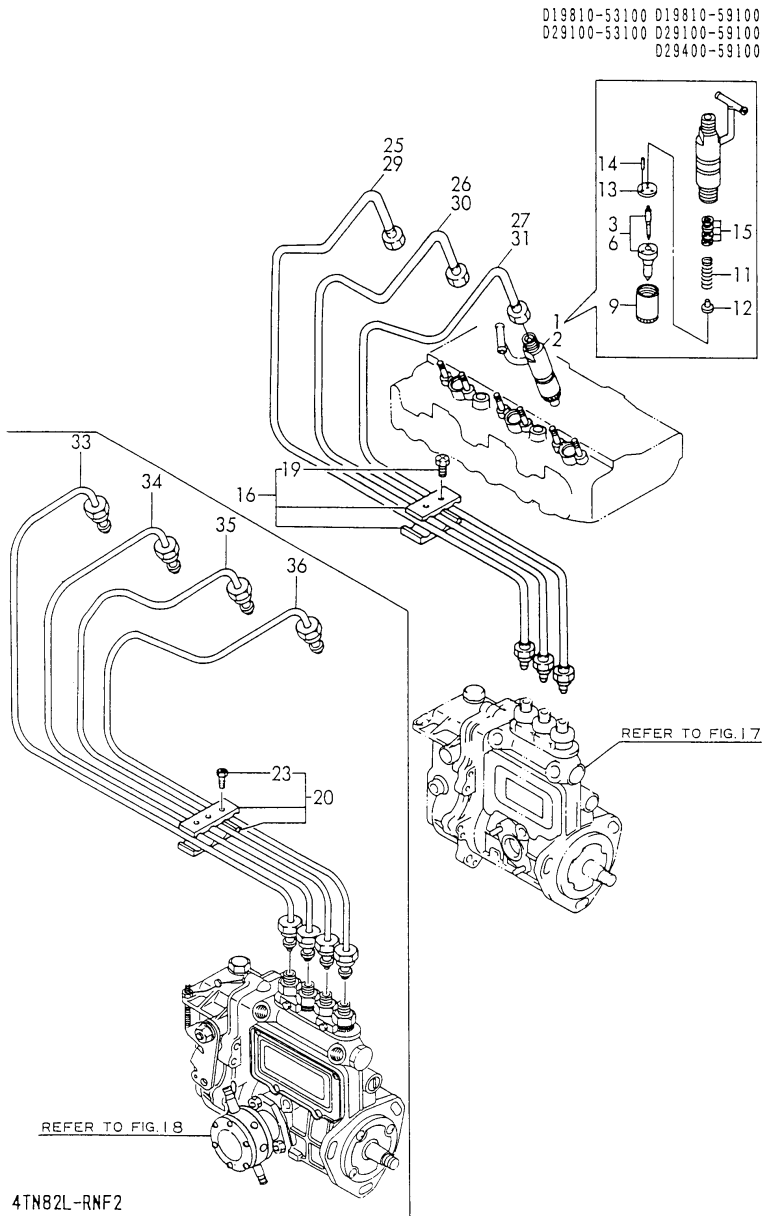
(D)=  
 (E)=  
 (F)=

No.	Lev.	Parts No.	Description	Qty						I	R
				(A)	(B)	(C)	(D)	(E)	(F)		
			(C=EXXX)								
60	2	22351-050010	PIN, SPRING 5.0X10			2					
61	2	24341-000160	O-RING, 1AS16.0			1					
62	2	43400-500490	SEAL WASHER 16S			1					
63	2	26116-050309	BOLT M 5X 30 PLATED			2					
63-1	2	26116-050302	BOLT, M5X 30 PLATED			2					N
			(C=EXXX)								
64	2	129155-51020	STUD			2					
65	2	26557-050102	SCREW, M5X10			6					
65-1	2	26022-050102	SCREW, M5X10			6					N
			(C=EXXX)								
66	2	26022-060162	SCREW, M6X16			4					
67	2	26716-060002	NUT, M6			2					
68	2	22217-050000	WASHER, SPRING 5			2					Z
			(C=EXXX)								
69	2	26557-050102	SCREW, M5X10			4					
69-1	2	26022-050102	SCREW, M5X10			5					N
			(C=EXXX)								
70	2	129155-52050	GASKET			1					
71	2	129100-52100	PUMP ASSY, FUEL FEED			1					
87	1	129100-25900	GEAR, PUMP			1					
88	1	22217-120000	WASHER, SPRING 12			1					
89	1	26716-120002	NUT, M12			1					



Remarks  
 (1) FIG.NO.21 IS INCORPORATED IN  
 REF.NO.1.

Fig.19. FUEL INJECTION PIPE



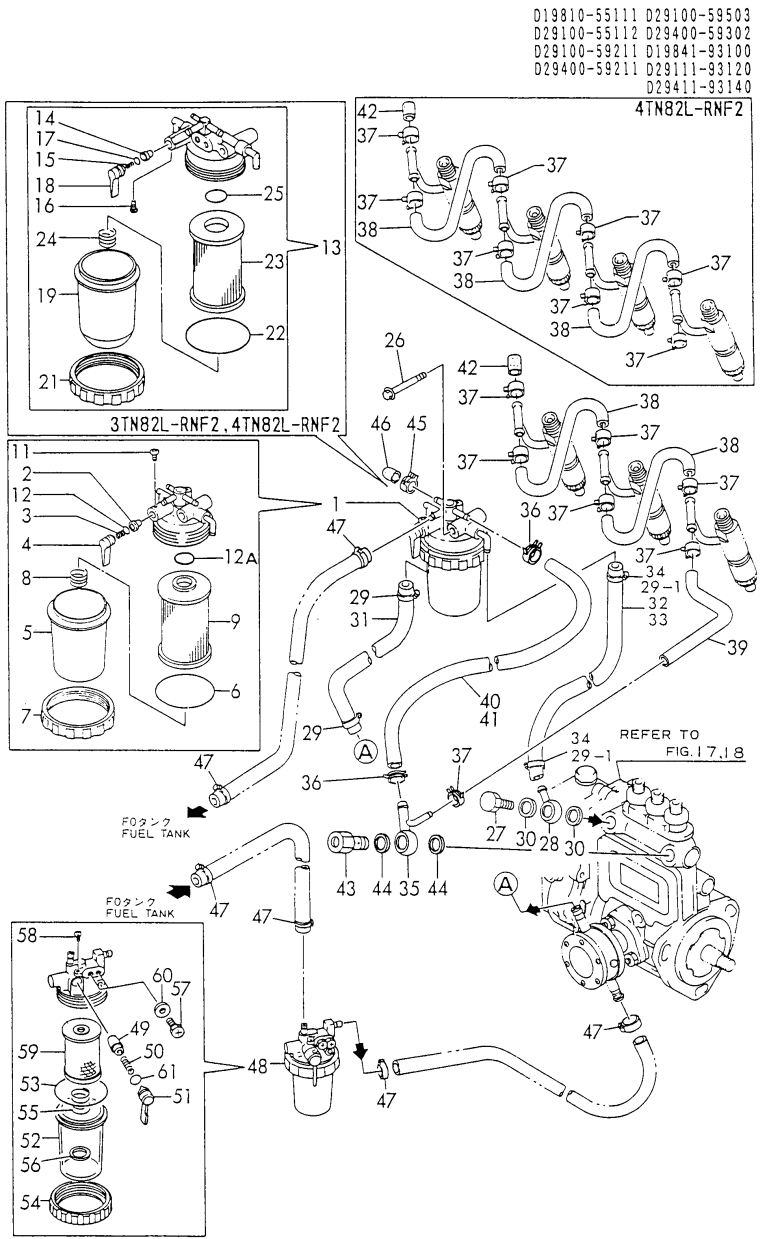
4TN82L-RNF2

(A)=3TN75L-RNF2  
(B)=3TN82L-RNF2  
(C)=4TN82L-RNF2

(D)=  
(E)=  
(F)=

No.	Lev.	Parts No.	Description	Qty						I	R
				(A)	(B)	(C)	(D)	(E)	(F)		
1	1	719810-53100	VALVE ASSY,INJECTION	3							
2	1	729100-53100	VALVE ASSY,INJECTION		3	4					
3	2	119810-53000	VALVE ASSY,INJECTION	3							
6	2	129100-53000	VALVE ASSY,INJECTION		3	4					
9	2	114250-53080	NUT, NOZZLE D16.95	3	3	4					
11	2	114250-53120	SPRING, NOZZLE	3	3	4					
12	2	114250-53130	SEAT, SPRING	3	3	4					
13	2	114250-53140	PLATE	3	3	4					
14	1	114250-53210	PIN	6	6	8					
15	1	114250-53400	SHIM SET	3	3	4					
16	1	129150-59120	RETAINER, PIPE	1	1						
19	2	129150-59130	BOLT, M4X12	2	2						
20	1	129550-59120	RETAINER, PIPE				1				
23	2	129150-59130	BOLT, M4X12			2					
25	1	119810-59810	PIPE ASSY, INJECTION	1							
26	1	119810-59820	PIPE ASSY, INJECTION	1							
27	1	119810-59830	PIPE ASSY, INJECTION	1							
29	1	129100-59810	PIPE ASSY, INJECTION			1					
29-1	1	129100-59811	PIPE ASSY, INJECTION			1					N
		(B=E21983)									
30	1	129100-59820	PIPE ASSY, INJECTION			1					
30-1	1	129100-59821	PIPE ASSY, INJECTION			1					N
		(B=E21983)									
31	1	129100-59830	PIPE ASSY, INJECTION			1					
31-1	1	129100-59831	PIPE ASSY, INJECTION			1					N
		(B=E21983)									
33	1	129400-59810	PIPE ASSY, INJECTION				1				
34	1	129400-59820	PIPE ASSY, INJECTION				1				
35	1	129400-59830	PIPE ASSY, INJECTION				1				
36	1	129400-59840	PIPE ASSY, INJECTION				1				

Fig.20. FUEL OIL PIPE



(A)=3TN75L-RNF2 (D)=  
 (B)=3TN82L-RNF2 (E)=  
 (C)=4TN82L-RNF2 (F)=

No.	Lev.	Parts No.	Description	Q'ty						I	R
				(A)	(B)	(C)	(D)	(E)	(F)		
1	1	119810-55621	FILTER ASSY, FUEL	1							
2	2	104200-55321	VALVE, TAPER	1							
3	2	104200-55330	SPRING, VALVE	1							
4	2	119810-55340	LEVER	1							
5	2	121254-55510	COVER	1							
6	2	102103-55520	O-RING	1							
7	2	110250-55610	RING, RETAINING	1							
8	2	121250-55620	SPRING	1							
9	2	119810-55650	ELEMENT	1							
11	2	104200-55750	SCREW, M4	1							
12	2	24311-240100	O-RING, 1AP10A	1							
12A	2	24311-000160	O-RING, 1AP16.0	1							Z
(A=E14438)											
13	1	129100-55621	FILTER ASSY, FUEL		1	1					
14	2	104200-55321	VALVE, TAPER		1	1					
15	2	104200-55330	SPRING, VALVE		1	1					
16	2	104200-55750	SCREW, M4		1	1					
17	2	24311-240100	O-RING, 1AP10A		1	1					
18	2	129100-55670	LEVER		1	1					
19	2	129100-55680	CUP, STRAINER		1	1					
21	2	129100-55690	RING, RETAINING		1	1					
22	2	24321-000650	O-RING, 1AG65.0		1	1					
23	2	129100-55650	ELEMENT		1	1					
24	2	129100-55700	SPRING		1	1					
25	2	24311-000160	O-RING, 1AP16.0		1	1					
26	1	26014-080702	BOLT, M8X 70		1	1	1				
27	1	103854-39140	BOLT, PIPE JOINT		1	1	1				
28	1	101304-59020	JOINT, PIPE 12		1	1	1				
29	1	124766-59050	CLIP, HOSE 12		2	2	2				
29-1	1	124766-59050	CLIP, HOSE 12		4	4	4				K
(A=E43236) (B=E14438) (C=E10391)											
30	1	104200-59170	GASKET, 12		2	2	2				
31	1	129555-59510	PIPE, D13/7.5X180		1	1	1				
32	1	129265-59580	PIPE, FUEL		1	1					
32-1	1	105025-59530	PIPE, FUEL D13X400		1	1					N
(A=E43236) (B=E14438)											
33	1	105025-59530	PIPE, FUEL D13X400							1	
34	1	23000-013000	CLAMP, 13		2	2	2				Z
(A=E43236) (B=E14438) (C=E10391)											
35	1	119840-59570	JOINT		1	1	1				
36	1	124766-59050	CLIP, HOSE 12		2	2	2				
37	1	124066-59100	CLIP, HOSE 8		7	7	9				
38	1	121250-59550	PIPE, FUEL D8X120		2	2	3				
39	1	119840-59560	PIPE, FUEL RETURN		1	1	1				
40	1	129255-59580	PIPE, FUEL		1	1					
40-1	1	105025-59750	PIPE, FUEL		1	1					N
(A=E43236) (B=E14438)											
41	1	105025-59530	PIPE, FUEL D13X400							1	
42	1	129150-59580	CAP		1	1	1				
43	1	129100-59951	VALVE ASSY, CHECK		1	1	1				
44	1	23414-120000	GASKET, 12X1.0		2	2	2				

N:Old  $\xrightarrow{\text{Yes}}$  New, Q:Old  $\xrightarrow{\text{No}}$  New, R:Old  $\xrightarrow{\text{Yes}}$  New, S:Old  $\xrightarrow{\text{No}}$  New, W:Add, Z:Discontinued, F:Interchangeable by set, K:Q'ty Change  
 ++ CONTINUE ++  
 Copyright (C) YANMAR CO., LTD. All Rights Reserved.

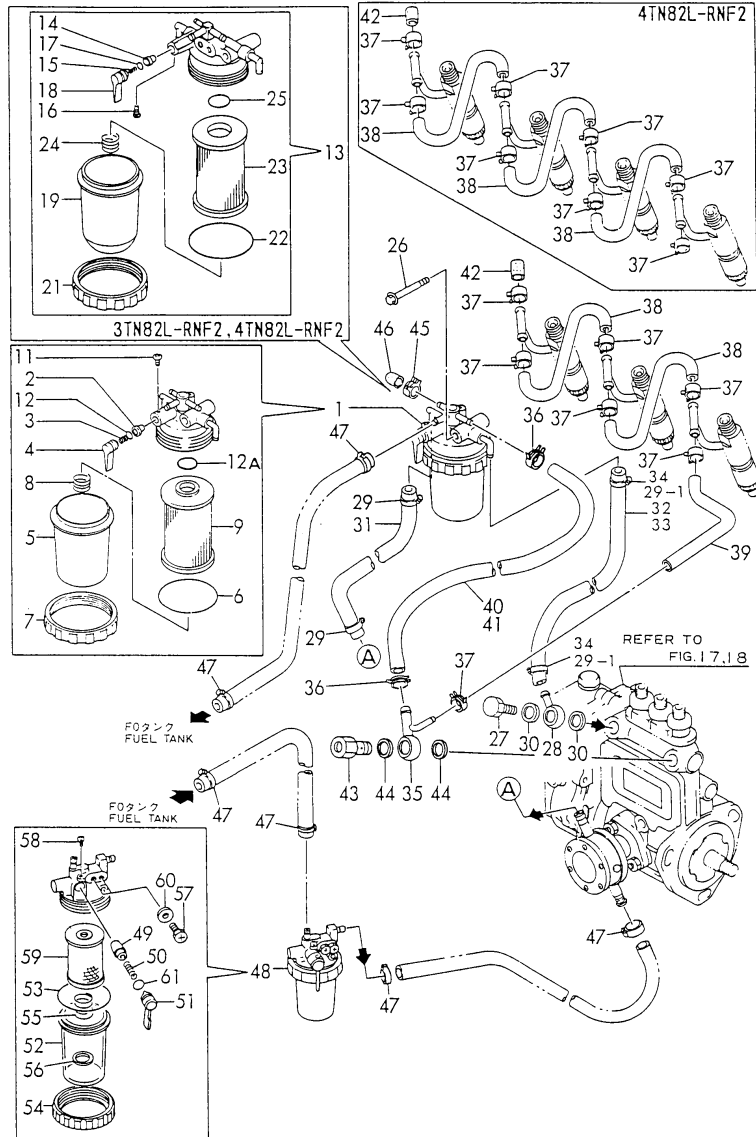


Fig.20. FUEL OIL PIPE

(A)=3TN75L-RNF2  
 (B)=3TN82L-RNF2  
 (C)=4TN82L-RNF2

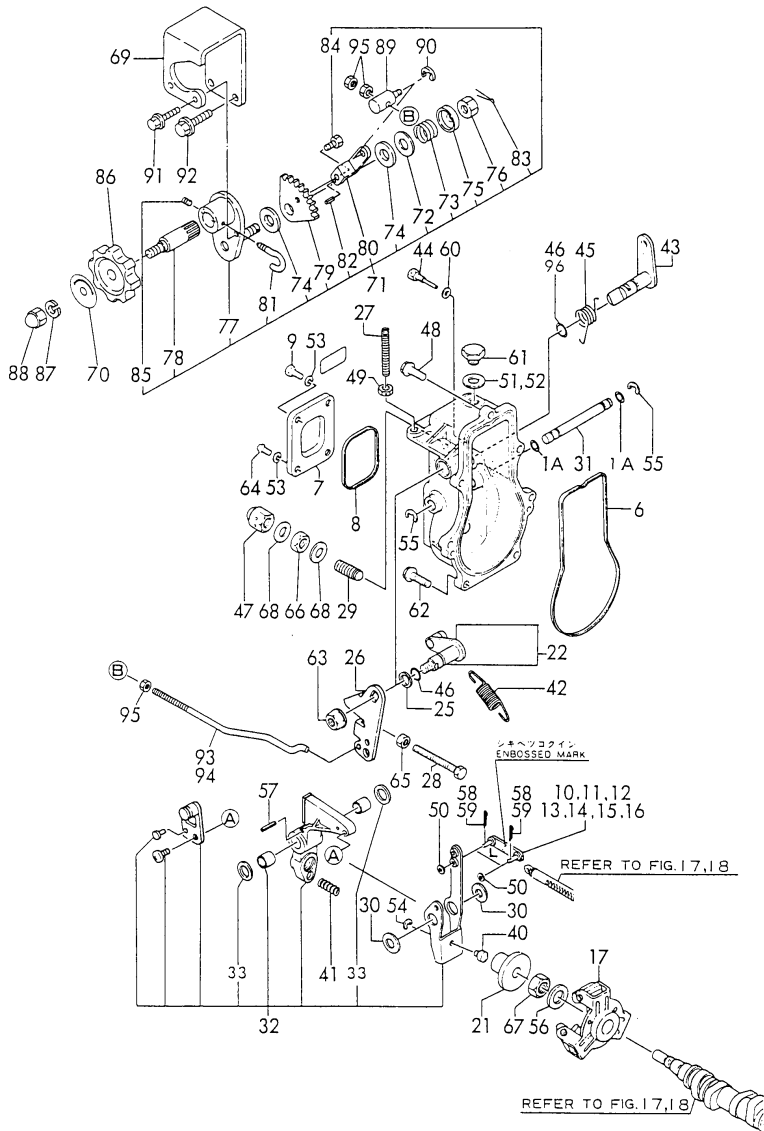
(D)=  
 (E)=  
 (F)=

019810-55111 029100-59503  
 029100-55112 029400-59302  
 029100-59211 019841-93100  
 029400-59211 029111-93120  
 029411-93140



No.	Lev.	Parts No.	Description	Qty						I	R
				(A)	(B)	(C)	(D)	(E)	(F)		
45	1	124066-59100	CLIP, HOSE 8	1	1	1					
46	1	129150-59580	CAP	1	1	1					
47	1	124766-59050	CLIP, HOSE 12	6	6	6					
48	1	121257-55700	SEPARATOR, WATER	1	1	1					
49	2	104200-55321	VALVE, TAPER	1	1	1					
50	2	104200-55330	SPRING, VALVE	1	1	1					
51	2	104200-55341	HANDLE	1	1	1					
52	2	121254-55510	COVER	1	1	1					
53	2	102103-55520	O-RING	1	1	1					
54	2	110250-55610	RING, RETAINING	1	1	1					
55	2	121257-55720	SPRING	1	1	1					
56	2	121257-55731	FLOAT	1	1	1					
57	2	101720-55750	PLUG, 6	2	2	2					
58	2	104200-55750	SCREW, M4	1	1	1					
59	2	171081-55910	SCREEN	1	1	1					
60	2	23418-060000	GASKET, 6X1.0	2	2	2					
61	2	24311-240100	O-RING, 1AP10A	1	1	1					

Fig.21. GOVERNOR



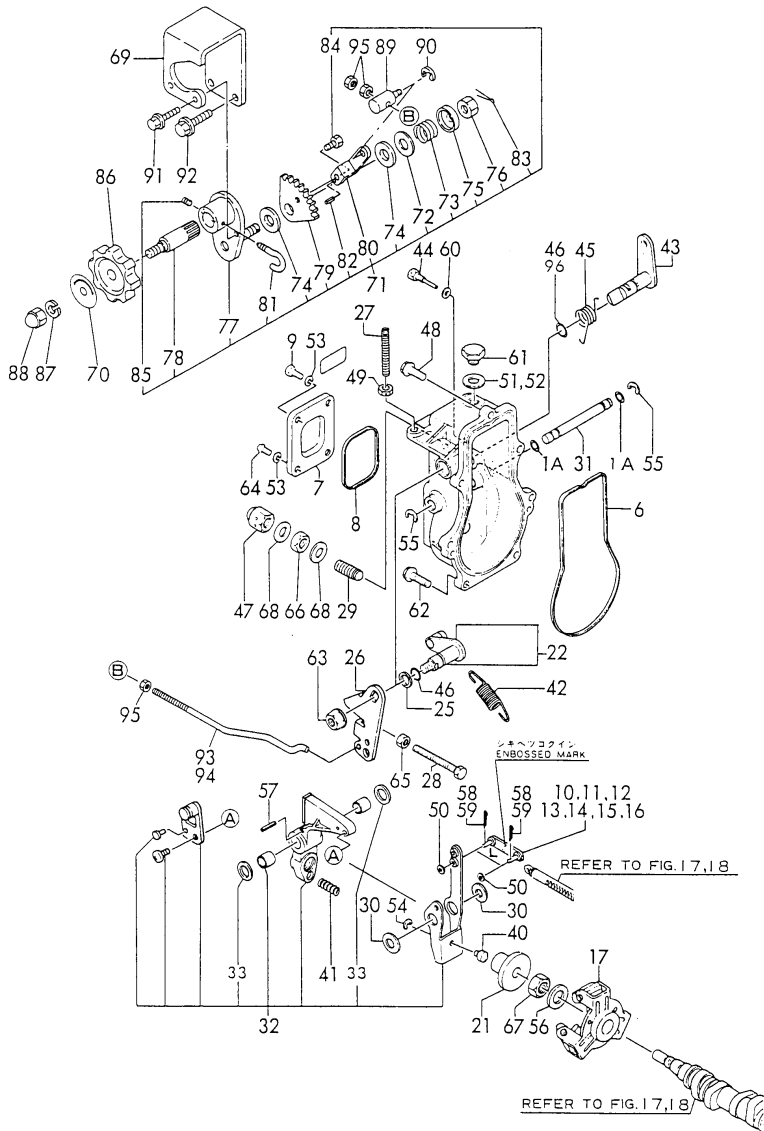
(A)=3TN75L-RNF2  
(B)=3TN82L-RNF2  
(C)=4TN82L-RNF2

(D)=  
(E)=  
(F)=

No.	Lev.	Parts No.	Description	Q'ty						I	R
				(A)	(B)	(C)	(D)	(E)	(F)		
1A	2	129155-51280	O-RING, S6	2	2	2					
5	1	129155-61011	CASE, GOVERNOR	1	1	1					
6	1	129155-61050	GASKET	1	1	1					
7	1	129155-61060	COVER, GOVERNOR CASE	1	1	1					
8	1	129155-61070	GASKET	1	1	1					
9	1	129155-61090	BOLT	1	1	1					Z
		(A=EXXX) (B=EXXX) (C=EXXX)									
10	1	129155-61120	LINK, L=30 MARK 0	1	1	1					
11	1	129155-61130	LINK, L=31 MARK 1	1	1	1					
12	1	129155-61140	LINK, L=30.5 MARK 05	1	1	1					Z
		(A=EXXX) (B=EXXX) (C=EXXX)									
13	1	129155-61150	LINK, L=33	1	1	1					Z
		(A=EXXX) (B=EXXX) (C=EXXX)									
14	1	129155-61160	LINK, L=34 MARK 4	1	1	1					Z
		(A=EXXX) (B=EXXX) (C=EXXX)									
15	1	129155-61170	LINK, L=28 MARK 8	1	1	1					Z
		(A=EXXX) (B=EXXX) (C=EXXX)									
16	1	129155-61180	LINK, L=29 MARK 9	1	1	1					Z
		(A=EXXX) (B=EXXX) (C=EXXX)									
17	1	129155-61201	WEIGHT ASSY, GOVERNOR	1	1	1					
21	1	129155-61341	SLEEVE	1	1	1					
22	1	129100-61400	SHAFT ASSY	1	1	1					
25	1	129155-61430	SPACER	1	1	1					
26	1	129100-61440	LEVER, CONTROL	1	1	1					
27	1	129155-61450	BOLT, LIMITER	1	1	1					
28	1	129155-61460	BOLT, IDLE	1	1	1					
29	1	129155-61470	BOLT, CONTROL	1	1	1					
30	1	129155-61480	SPACER ASSY	2	2	2					
31	1	129155-61490	SHAFT	1	1	1					
32	1	129100-61500	LEVER ASSY, GOVERNOR	1	1	1					
33	2	174307-51700	SHIM SET	2	2	2					
40	1	129155-61540	SHIFTER	1	1	1					
41	1	129470-61650	SPRING, FUEL CONTROL	1	1	1					
41-1	1	129500-61650	SPRING, FUEL CONTROL	1	1	1					N
		(A=EXXX) (B=EXXX) (C=EXXX)									
42	1	129500-61700	SPRING, GOVERNOR	1	1	1					
43	1	129155-61802	LEVER, STOP	1	1	1					
44	1	129155-61810	PIN	1	1	1					
45	1	129155-61820	SPRING, RETURN	1	1	1					
45-1	1	129100-61821	SPRING, RETURN	1	1	1					N
		(A=E24469) (B=E08702) (C=E05301)									
46	1	129155-61830	O-RING, S10	3	3	3					
46-1	1	129155-61830	O-RING, S10	1	1	1					K
		(A=EXXX) (B=EXXX) (C=EXXX)									
47	1	129100-61930	NUT, CAP	1	1	1					
47-1	1	26687-120002	NUT, CAP M12	1	1	1					N
		(A=EXXX) (B=EXXX) (C=EXXX)									
48	1	129155-61950	BOLT	1	1	1					
49	1	124550-66370	NUT, M6	1	1	1					
50	1	22117-040000	WASHER, 4	2	2	2					
50-1	1	22117-040000	WASHER, 4	1	1	1					K

N:Old  $\xrightarrow{\text{Yes}}$  New, Q:Old  $\xrightarrow{\text{No}}$  New, R:Old  $\xrightarrow{\text{Yes}}$  New, S:Old  $\xrightarrow{\text{No}}$  New, W:Add, Z:Discontinued, F:Interchangeable by set, K:Q'ty Change  
 ++ CONTINUE ++  
 Copyright (C) YANMAR CO., LTD. All Rights Reserved.

Fig.21. GOVERNOR



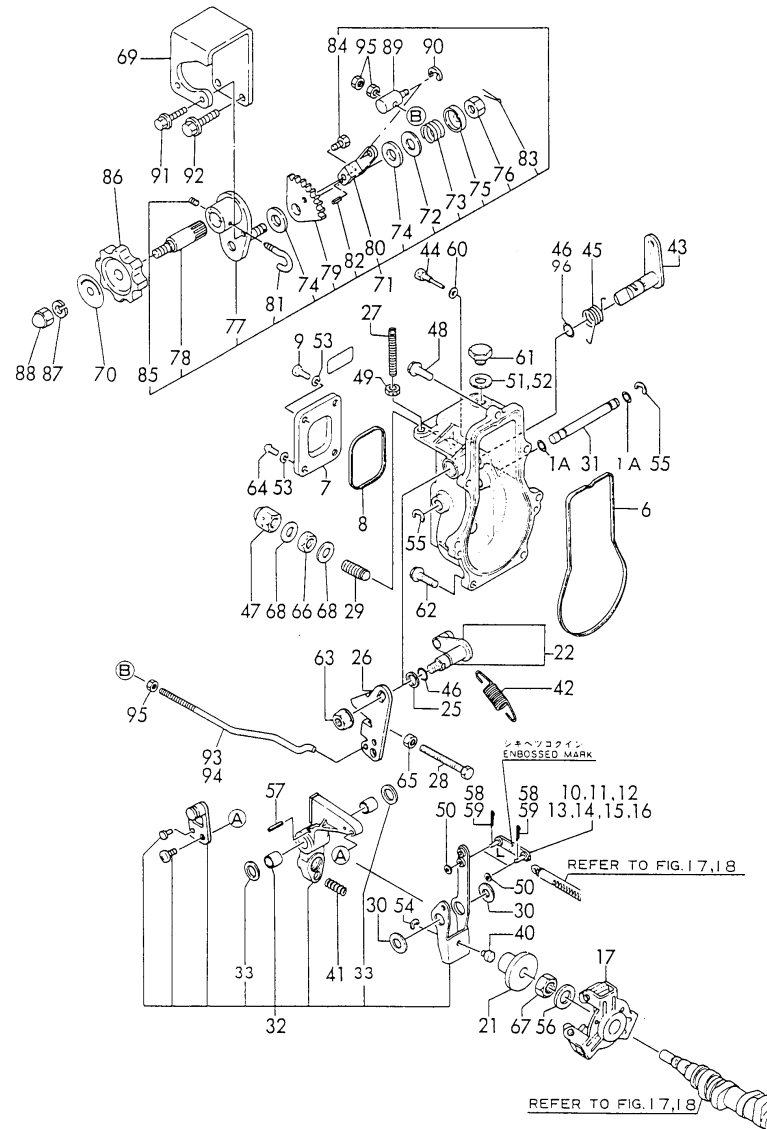
(A)=3TN75L-RNF2  
(B)=3TN82L-RNF2  
(C)=4TN82L-RNF2  
(D)=  
(E)=  
(F)=

No.	Lev.	Parts No.	Description	Q'ty						I	R	
				(A)	(B)	(C)	(D)	(E)	(F)			
51	1	(A=EXXX) 22190-100000	(B=EXXX) WASHER, SEAL 10									
51-1	1	(C=EXXX) 43400-500430	SEAL WASHER 10S			1						N
52	1	43400-500450	SEAL WASHER 12S	1	1							
52-1	1	43400-500430	SEAL WASHER 10S	1	1							N
53	1	(A=EXXX) 22217-050000	(B=EXXX) WASHER, SPRING 5	4	4	4						Z
54	1	(A=EXXX) 22272-000040	(B=EXXX) RING, E- 4	1	1	1						
55	1	(A=EXXX) 22272-000060	(B=EXXX) RING, E- 6	2	2	2						
56	1	(A=EXXX) 22287-120000	(B=EXXX) WASHER, 12	1	1	1						
57	1	(A=EXXX) 22351-030016	(B=EXXX) PIN, SPRING 3.0X16	1	1	1						
58	1	(A=EXXX) 22360-050000	(B=EXXX) SNAP PIN 5		2	2						
58-1	1	(A=EXXX) 22372-040000	(B=EXXX) PIN, SNAP 4		2	2						N
59	1	(B=E14438) 22360-040000	(C=E09625) PIN, SNAP 4	2								
59-1	1	22372-040000	PIN, SNAP 4	2								N
60	1	(A=E43236) 23414-050000	GASKET, 5X1.0	1	1	1						
60-1	1	43400-500390	SEAL WASHER 6S	1	1	1						N
61	1	(A=EXXX) 23887-100002	(B=EXXX) PLUG, 10	1	1	1						
62	1	(A=EXXX) 26106-060202	(B=EXXX) BOLT, M6X 20 PLATED	6	6	6						
63	1	(A=EXXX) 26366-080002	(B=EXXX) NUT, M8	1	1	1						
64	1	(A=EXXX) 26557-050102	(B=EXXX) SCREW, M5X10	3	3	3						
64-1	1	(A=EXXX) 26022-050102	(B=EXXX) SCREW, M5X10	4	4	4						N
65	1	(A=EXXX) 26756-060002	(B=EXXX) NUT, LOCK M6	2	2	2						
65-1	1	(A=EXXX) 26756-060002	(B=EXXX) NUT, LOCK M6	1	1	1						K
66	1	(A=EXXX) 26776-120002	(B=EXXX) NUT, LOCK M12	1	1	1						
67	1	(A=EXXX) 26777-120002	(B=EXXX) NUT, LOCK M12	1	1	1						
67-1	1	(A=EXXX) 26776-120002	(B=EXXX) NUT, LOCK M12	1	1	1						N
68	1	(A=EXXX) 43400-500450	(B=EXXX) SEAL WASHER 12S	2	2	2						
69	1	(A=EXXX) 119888-66110	(B=EXXX) BRACKET	1	1	1						
70	1	(A=EXXX) 170064-67210	(B=EXXX) LABEL, HANDLE	1	1	1						
71	1	(A=EXXX) 171048-67010	(B=EXXX) CONTROLLER ASSY	1	1	1						
72	2	(A=EXXX) 171102-66080	(B=EXXX) WASHER	1	1	1						
73	2	(A=EXXX) 104200-66820	(B=EXXX) SPRING	1	1	1						
74	2	(A=EXXX) 104200-66830	(B=EXXX) PLATE, FRICTION	2	2	2						
75	2	(A=EXXX) 104200-66850	(B=EXXX) WASHER	1	1	1						
76	2	(A=EXXX) 104200-66860	(B=EXXX) NUT	1	1	1						
77	2	(A=EXXX) 171085-67100	(B=EXXX) BRACKET	1	1	1						
78	2	(A=EXXX) 171085-67110	(B=EXXX) SHAFT, DRIVE	1	1	1						
79	2	(A=EXXX) 171085-67120	(B=EXXX) GEAR	1	1	1						
80	2	(A=EXXX) 171048-67130	(B=EXXX) LEVER	1	1	1						
81	2	(A=EXXX) 171048-67140	(B=EXXX) STOPPER	1	1	1						
82	2	(A=EXXX) 22351-020006	(B=EXXX) PIN, SPRING 2.0X 6	1	1	1						
83	2	(A=EXXX) 22411-200150	(B=EXXX) COTTER PIN	1	1	1						

N:Old  $\begin{matrix} \text{Yes} \\ \text{No} \end{matrix}$  New, Q:Old  $\begin{matrix} \text{No} \\ \text{Yes} \end{matrix}$  New, R:Old  $\begin{matrix} \text{Yes} \\ \text{No} \end{matrix}$  New, S:Old  $\begin{matrix} \text{No} \\ \text{Yes} \end{matrix}$  New, W:Add, Z:Discontinued, F:Interchangeable by set, K:Q'ty Change  
 ++ CONTINUE ++  
 Copyright (C) YANMAR CO., LTD. All Rights Reserved.

# Fig.21. GOVERNOR

719810-51400 D19841-93100  
 729102-51400 D29111-93120  
 729402-51400 D29411-93140



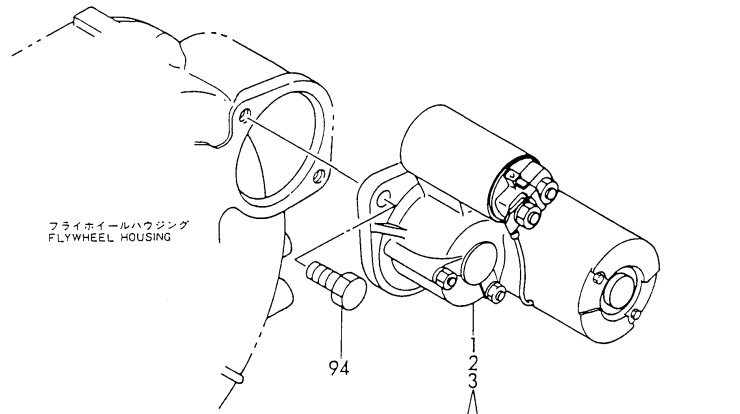
(A)=3TN75L-RNF2  
 (B)=3TN82L-RNF2  
 (C)=4TN82L-RNF2

(D)=  
 (E)=  
 (F)=

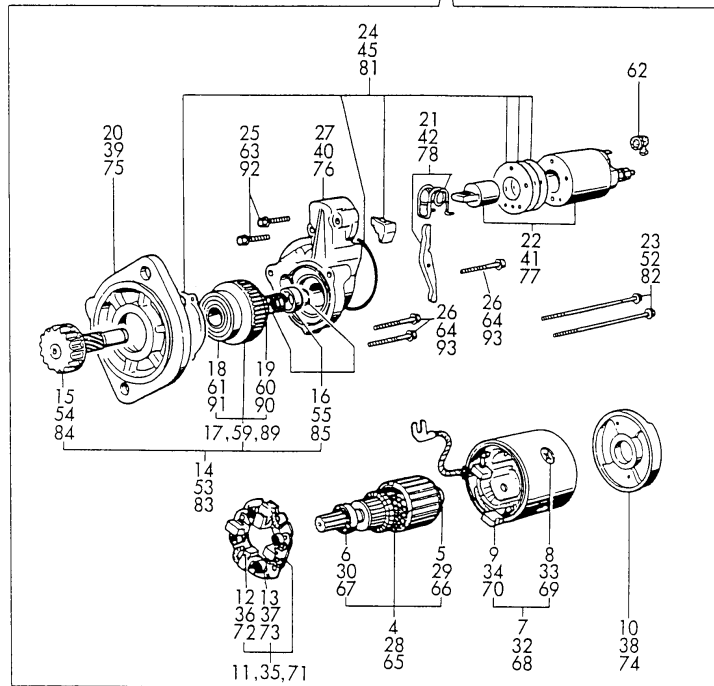
No.	Lev.	Parts No.	Description	Qty						I	R
				(A)	(B)	(C)	(D)	(E)	(F)		
84	2	26116-060082	BOLT, M6X 8 PLATED	1	1	1					
85	2	26921-050122	SCREW, M5X12	1	1	1					
86	1	126650-66020	HANDLE, REGULATOR	1	1	1					
87	1	22217-100000	WASHER, SPRING 10	1	1	1					
88	1	26657-100002	NUT, CAP M10	1	1	1					
89	1	119888-66130	PIVOT	1	1	1					
90	1	22272-000050	RING, E- 5	1	1	1					
91	1	26106-060102	BOLT, M6X 10 PLATED	2	2	2					
92	1	26106-080162	BOLT, M8X 16 PLATED	2	2	2					
93	1	119888-66120	LINK, ENGINE CONTROL	1	1						
94	1	129488-66120	LINK, ENGINE CONTROL						1		
95	1	26756-050002	NUT, LOCK M5	3	3	3					
96	1	24311-240100	O-RING, 1AP10A	1	1	1					W
		(A=EXXX)	(B=EXXX)	(C=EXXX)							

Fig.22. STARTING MOTOR(COMPONENT PART)

(A)=3TN75L-RNF2 (D)=  
 (B)=3TN82L-RNF2 (E)=  
 (C)=4TN82L-RNF2 (F)=



019810-77120  
 029100-77100  
 029400-77130



No.	Lev.	Parts No.	Description	Q'ty						I	R
				(A)	(B)	(C)	(D)	(E)	(F)		
1	1	124976-77011	STARTER, S114-349A	1							
2	1	171008-77010	STARTER, S114-483		1						
3	1	129400-77010	STARTER, S13-94			1					
3-1	1	129400-77011	STARTER, S13-94A (C=E08473)			1					N
4	2	X211451007	ARMATURE ASSY	1							
5	3	X211415502	BEARING, BALL	1							
6	3	X211425502	BEARING, BALL	1							
7	2	X211472106	COIL ASSY, FIELD	1							
8	3	X21148215	SCREW, POLE CORE	4							
9	3	X21143315	BRUSH (+)	2							
10	2	X211483003	COVER	1							
11	2	X211429007	HOLDER ASSY, BRUSH	1							
12	3	X211459002	BRUSH (-)	2							
13	3	X21148314	SPRING, BRUSH	4							
14	2	X211415505	CLUTCH ASSY	1							
15	3	X211495009	SHAFT	1							
16	3	X211429006	STOPPER SET	1							
17	3	X211425505	CLUTCH ASSY	1							
18	4	X211435502	BALL BEARING	1							
19	4	X211445502	BALL BEARING	1							
20	2	X211476504	HOUSING ASSY, GEAR	1							
21	2	X21146012	LEVER, SHIFT	1							
22	2	X211447007	SWITCH, MAGNETIC	1							
23	2	X211468005	BOLT, THROUGH	2							
24	2	X211448004	COVER KIT	1							
25	2	X21145866	BOLT	2							
26	2	X21142867	BOLT	3							
27	2	X211414501	HOUSING, CENTER	1							
28	2	171008-77400	ARMATURE ASSY		1						
29	3	171008-77410	BEARING		1						
30	3	171008-77420	BEARING		1						
32	3	171008-77440	COIL ASSY, FIELD		1						
33	4	171008-77450	SCREW		4						
34	4	171008-77460	BRUSH (+)		2						
35	2	171008-77470	HOLDER ASSY, BRUSH		1						
36	3	171008-77480	BRUSH (-)		2						
37	3	171008-77490	SPRING, BRUSH		4						
38	2	171008-77500	COVER, REAR		1						
39	2	171008-77510	CASE, GEAR		1						
40	2	171008-77520	HOUSING, CENTER		1						
41	2	171008-77530	SWITCH, MAGNETIC		1						
42	2	171008-77540	LEVER SET		1						
45	2	171008-77570	COVER KIT, DUST		1						
45-1	2	171008-77571	COVER KIT, DUST		1						N
(B=E14438)											
52	2	171008-77640	BOLT, THROUGH		2						
53	2	171008-77650	PINION ASSY		1						
54	3	171008-77660	SHAFT		1						
55	3	171008-77670	STOPPER SET		1						
59	3	171008-77720	CLUTCH ASSY		1						

Fig.22. STARTING MOTOR(COMPONENT PART)

(A)=3TN75L-RNF2  
 (B)=3TN82L-RNF2  
 (C)=4TN82L-RNF2

(D)=  
 (E)=  
 (F)=

No.	Lev.	Parts No.	Description	Qty						I	R
				(A)	(B)	(C)	(D)	(E)	(F)		
60	4	171008-77730	BEARING, BALL		1						
61	4	171008-77740	BEARING		1						
62	2	171008-77750	COVER		1						
63	2	26106-060322	BOLT, M6X 32 PLATED		2						
64	2	26106-060402	BOLT, M6X 40 PLATED		3						
65	2	129400-77400	ARMATURE ASSY				1				
66	3	171008-77410	BEARING				1				
67	3	171008-77420	BEARING				1				
68	2	129400-77440	COIL ASSY, FIELD				1				
69	3	171008-77450	SCREW				4				
70	3	129400-77460	BRUSH (+)				2				
71	2	129400-77470	HOLDER ASSY, BRUSH				1				
72	3	129400-77480	BRUSH (-)				2				
73	3	129400-77490	SPRING				4				
74	2	129400-77510	COVER, REAR				1				
75	2	171008-77510	CASE, GEAR				1				
76	2	129400-77520	HOUSING				1				
77	2	129400-77530	SWITCH ASSY,MAGNETIC				1				
78	2	171008-77540	LEVER SET				1				
81	2	129400-77570	COVER KIT, DUST				1				
82	2	129400-77640	BOLT, THROUGH				2				
83	2	171008-77650	PINION ASSY				1				
84	3	171008-77660	SHAFT				1				
85	3	171008-77670	STOPPER SET				1				
89	3	171008-77720	CLUTCH ASSY				1				
90	4	171008-77730	BEARING, BALL				1				
91	4	171008-77740	BEARING				1				
92	2	26106-060322	BOLT, M6X 32 PLATED				2				
93	2	26106-060402	BOLT, M6X 40 PLATED				3				
94	1	26116-120252	BOLT, M12X 25 PLATED		2	2	2				

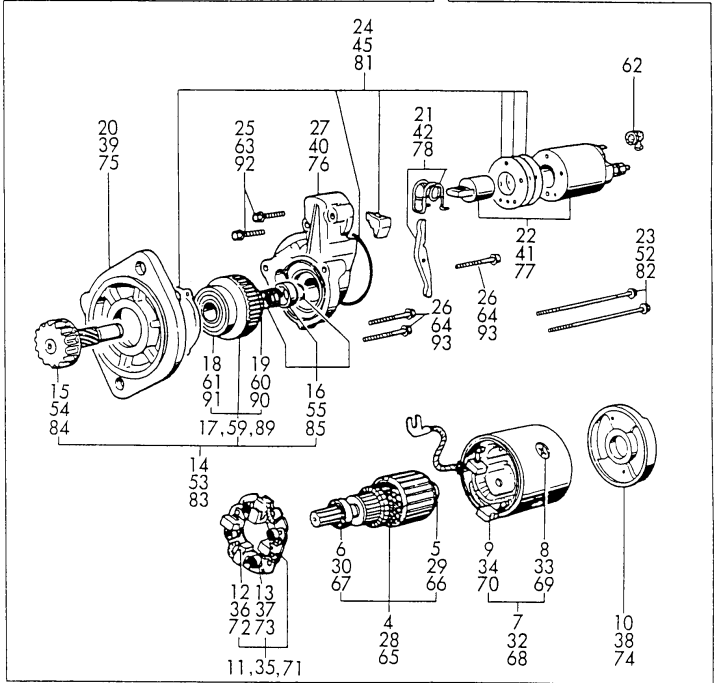
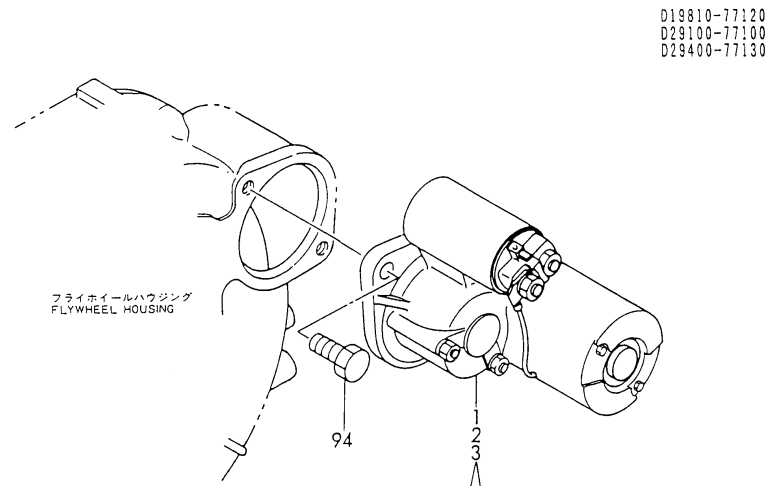
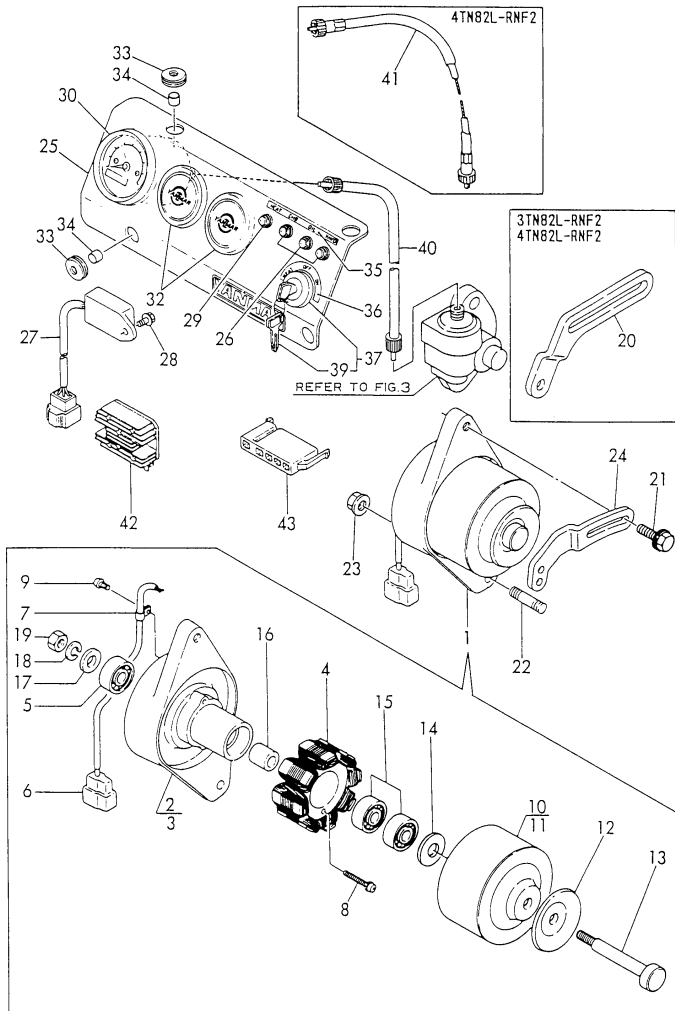


Fig.23. GENERATOR(COMPONENT PART)



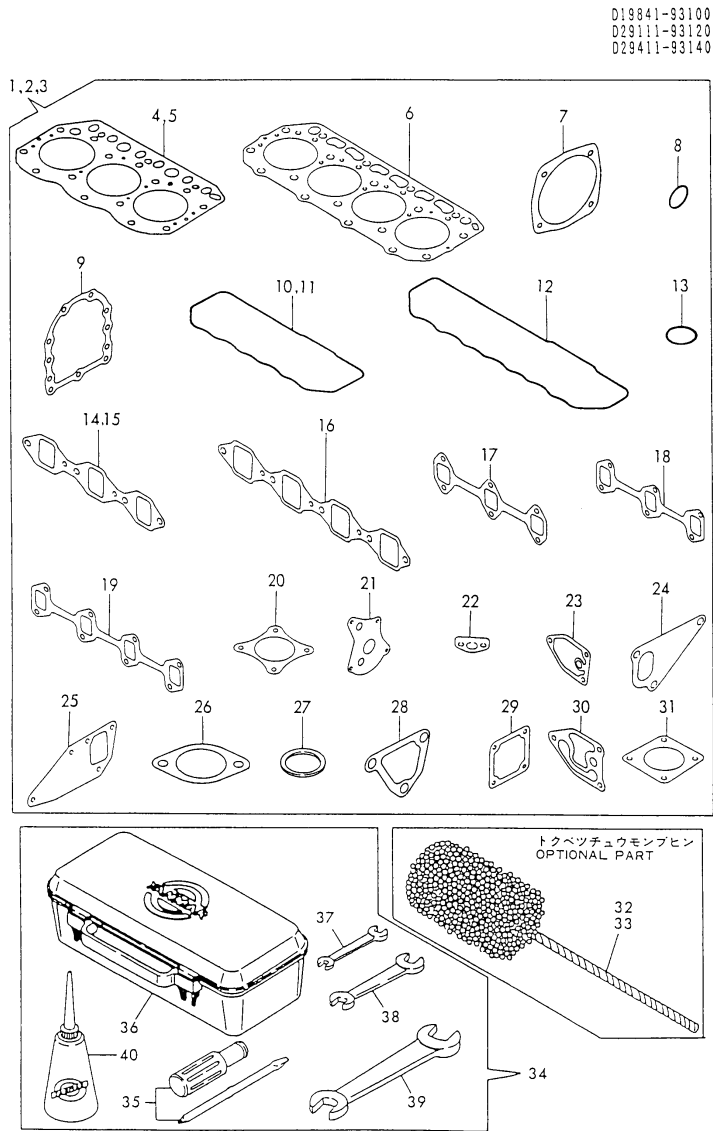
(A)=3TN75L-RNF2  
 (B)=3TN82L-RNF2  
 (C)=4TN82L-RNF2  
 (D)=  
 (E)=  
 (F)=

No.	Lev.	Parts No.	Description	Q'ty						I	R
				(A)	(B)	(C)	(D)	(E)	(F)		
1	1	171301-77201	DYNAMO ASSY, 15A	1	1	1					
2	2	XM08137	PLATE ASSY	1	1	1					
3	3	XM08138	PLATE	1	1	1					
4	3	XM08180	STATOR SET	1	1	1					
5	3	XM27436	BEARING, BALL	1	1	1					
6	3	XM17878	COUPLER	1	1	1					
7	3	XM36410	CLAMP	1	1	1					
8	3	26022-040252	SCREW, M4X25	2	2	2					
9	3	XYSPS4008	SCREW	1	1	1					
10	2	XM82184	FLYWHEEL ASSY	1	1	1					
11	3	XM82110	FLYWHEEL	1	1	1					
12	3	XM72174	PULLEY	1	1	1					
13	3	XM72664	SHAFT	1	1	1					
14	3	XM37336	WASHER	1	1	1					
15	3	XM27436	BEARING, BALL	2	2	2					
16	2	106383-44720	SPACER	1	1	1					
17	2	106383-44730	WASHER	1	1	1					
18	2	22212-100000	SPRING WASHER 10	1	1	1					
19	2	26716-100002	NUT, M10	1	1	1					
20	1	129400-77330	ADJUSTER		1	1					
20-1	1	129410-77330	ADJUSTER		1	1					F 1
		(B=FZZZZZ) (C=E21589)									
21	1	26014-080252	BOLT, M8X 25	1	1	1					
22	1	121450-01570	STUD	1	1	1					
23	1	26366-100002	NUT, M10	1	1	1					
24	1	119810-77330	ADJUSTER	1							
25	1	119888-91400	PANEL ASSY	1	1	1					
26	2	124732-77720	LAMP, CHARGING	3	3	3					
27	2	128300-77920	TIMER	1	1	1					
28	2	26106-060102	BOLT, M6X 10 PLATED	1	1	1					
29	2	124559-77971	LAMP, PILOT	1	1	1					
30	2	171080-91100	TACHOMETER	1	1	1					
32	2	124770-91220	COVER	2	2	2					
33	2	121400-91520	ABSORBER	4	4	4					
34	2	121400-91530	SPACER	4	4	4					
35	2	119888-91610	LABEL, CW & OIL LAMP	1	1	1					
36	2	119888-91620	LABEL, KEY SWITCH	1	1	1					
37	2	933110-00100	SWITCH ASSY, STARTER	1	1	1					
39	3	933110-00301	KEY ASSY	1	1	1					
40	1	121400-91140	SHAFT	1	1						
41	1	194145-56901	CABLE ASSY, METER			1					
42	1	119660-77710	LIMITER, CURRENT 15A	1	1	1					
42-1	1	119660-77711	LIMITER, CURRENT 15A	1	1	1					N
		(A=*1999.07.) (B=*1999.07.) (C=*1999.07.)									
43	1	171301-77720	COUPLER	1	1	1					

Remarks

(1) Interchangeable by simultaneous replacement with Fig.15 Ref.No.4-2, 19-1.

Fig.24. GASKET SET (OPTIONAL) & TOOL



No.	Lev.	Parts No.	Description	Q'ty						I	R
				(A)	(B)	(C)	(D)	(E)	(F)		
1	1	719888-92601	GASKET SET	1							1
1-1	1	719888-92602	GASKET SET	1							N 1
(A=EXXX)											
2	1	729188-92601	GASKET SET		1						1
2-1	1	729188-92602	GASKET SET		1						N 1
(B=EXXX)											
3	1	729488-92601	GASKET SET			1					1
3-1	1	729488-92602	GASKET SET			1					N 1
(C=EXXX)											
4	2	119865-01331	GASKET, HEAD T=1.4	1							
5	2	129156-01332	GASKET, HEAD		1						
6	2	129402-01321	GASKET, HEAD			1					
7	2	124240-01882	GASKET	1	1	1					
7-1	2	124240-01883	GASKET	1	1	1					N
(A=E31420) (B=E10642) (C=E07000)											
8	2	24311-000320	O-RING, 1AP32.0	1	1	1					
9	2	129150-01660	GASKET	1	1	1					Z
(A=EXXX) (B=EXXX) (C=EXXX)											
10	2	119865-11310	GASKET, BONNET	1							
11	2	129150-11310	GASKET, BONNET		1						
12	2	129550-11310	GASKET, BONNET			1					
13	2	24311-000320	O-RING, 1AP32.0	1	1	1					
14	2	119810-12110	GASKET, MANIFOLD	1							
14-1	2	119810-12111	GASKET, MANIFOLD	1							N
(A=E36494)											
15	2	129150-12110	GASKET, MANIFOLD		1						
15-1	2	129150-12111	GASKET, MANIFOLD		1						N
(B=E12450)											
16	2	129550-12110	GASKET, MANIFOLD			1					
16-1	2	129550-12111	GASKET, MANIFOLD			1					N
(C=E07885)											
17	2	119810-13110	GASKET	1							
18	2	129150-13110	GASKET		1						
19	2	129550-13110	GASKET			1					
20	2	121000-13200	GASKET, SILENCER	1	1						
20-1	2	121000-13201	GASKET, SILENCER	1	1						N
(A=*1992.01) (B=*1992.01)											
21	2	129150-32020	GASKET, PUMP	1	1	1					
22	2	129150-35040	GASKET	1	1	1					
22-1	2	129150-35041	GASKET	1	1	1					N
(A=E36494) (B=E12450) (C=E07885)											
23	2	129150-35110	GASKET	1							
23-1	2	129150-35111	GASKET	1							N
(A=E36494)											
24	2	129100-42020	GASKET, WATER PUMP		1	1					
25	2	129150-42020	GASKET, WATER PUMP	1							
26	2	129795-49550	GASKET	1	1	1					
26-1	2	129795-49551	GASKET	1	1	1					N
(A=E36494) (B=E12450) (C=E07885)											
27	2	129150-49810	GASKET, THERMOSTAT	1	1	1					
27-1	2	129150-49811	GASKET, THERMOSTAT	1	1	1					N

Remarks  
(1)OPTIONAL PART.

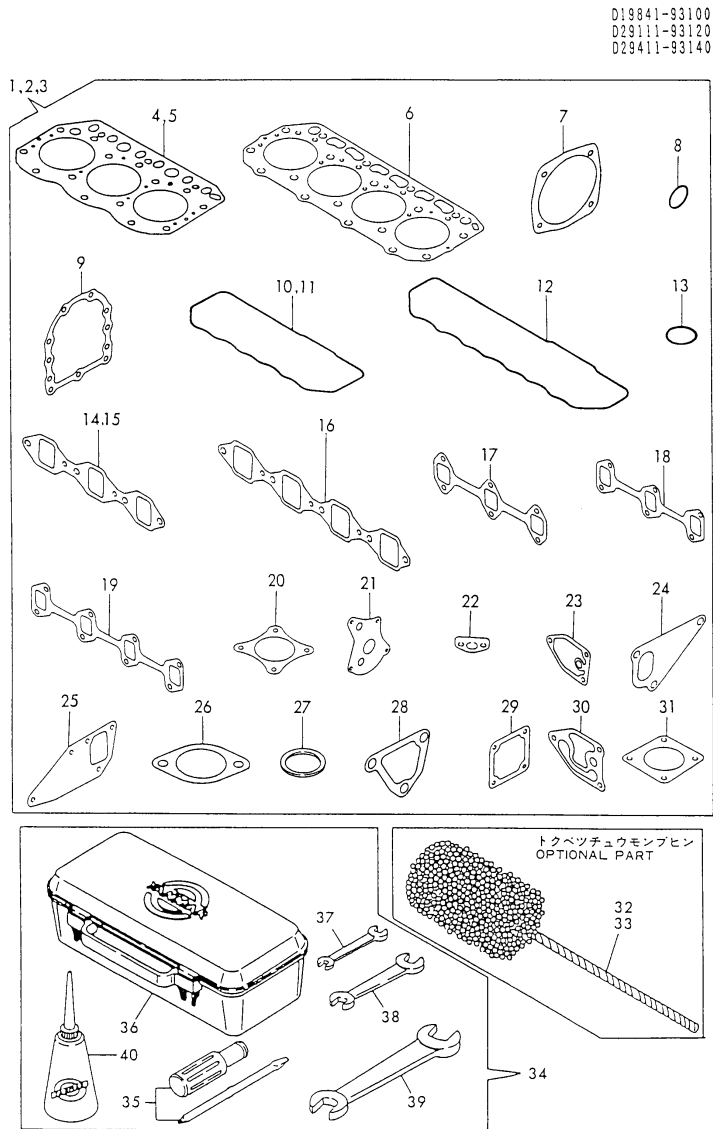


Fig.24. GASKET SET (OPTIONAL) & TOOL

(A)=3TN75L-RNF2  
 (B)=3TN82L-RNF2  
 (C)=4TN82L-RNF2

(D)=  
 (E)=  
 (F)=

No.	Lev.	Parts No.	Description	Qty						I	R
				(A)	(B)	(C)	(D)	(E)	(F)		
		(A=E36494) (B=E12450) (C=E07885)									
28	2	129100-49840	GASKET		1	1					
29	2	129150-77510	GASKET	1	1	1					
29-1	2	129150-77511	GASKET	1	1	1					N
		(A=E36494) (B=E12450) (C=E07885)									
30	2	129103-35121	GASKET		1	1					
30-1	2	129103-35122	GASKET		1	1					N
		(B=E12450) (C=E07885)									
31	2	129400-13200	GASKET, SILENCER			1					
31-1	2	129400-13201	GASKET, SILENCER			1					N
		(C=E07885)									
32	1	129400-92410	HONE		1						1
33	1	129400-92420	HONE		1	1	1				1
34	1	171001-93100	BOX, TOOL	1	1	1					W
		(A=E26412) (B=E09196) (C=E06187)									
35	2	104200-92350	DRIVER, SCREW	1	1	1					W
		(A=E26412) (B=E09196) (C=E06187)									
36	2	104200-92600	BOX, TOOL	1	1	1					W
		(A=E26412) (B=E09196) (C=E06187)									
37	2	28110-100120	SPANNER, 10X12	1	1	1					W
		(A=E26412) (B=E09196) (C=E06187)									
38	2	28110-140170	SPANNER, 14X17	1	1	1					W
		(A=E26412) (B=E09196) (C=E06187)									
39	2	28110-190220	SPANNER, 19X22	1	1	1					W
		(A=E26412) (B=E09196) (C=E06187)									
40	2	28210-000140	OILER	1	1	1					W
		(A=E26412) (B=E09196) (C=E06187)									



Remarks  
 (1)OPTIONAL PART.

## Parts No. Index

Parts No.	Fig. No.	Ref. No.
101158-11190	6	17
101304-59020	20	28
101720-55750	20	57
102103-55520	20	6
		53
103338-11190	7	18
	8	18
103854-39140	20	27
104200-55321	20	2
		14
		49
104200-55330	20	3
		15
		50
104200-55341	20	51
104200-55750	20	11
		16
		58
104200-59170	20	30
104200-66820	21	73
104200-66830	21	74
104200-66850	21	75
104200-66860	21	76
104200-92350	24	35
104200-92600	24	36
104211-11180	6	16
104211-11370	6	20
105025-59530	20	32 -1
		33
		41
105025-59750	20	40 -1
106383-44720	23	16
106383-44730	23	17
110250-55610	20	7
		54
114250-53080	19	9
114250-53120	19	11
114250-53130	19	12
114250-53140	19	13
114250-53210	19	14
114250-53400	19	15
119600-34800	14	5
119620-01750	4	2
119620-02020	1	11
119625-11870	6	23
	7	36
	8	37
119625-11880	6	24
	7	37
	8	38

Parts No.	Fig. No.	Ref. No.
119625-11900	6	25
	7	38
	8	39
119660-77710	23	42
119660-77711	23	42 -1
119810-01200	1	40
119810-01730	5	5
119810-01770	5	1 -1
119810-01780	4	8
119810-02870	1	45
119810-02940	1	48
119810-11080	6	5
119810-11090	6	6
119810-11100	6	13
119810-11120	6	15
119810-11130	6	14
119810-11240	6	31
119810-11350	6	41
119810-12110	9	26
	24	14
119810-12111	9	26 -1
	24	14 -1
119810-13110	11	4
	24	17
119810-14400	12	6
119810-14580	12	1 A
119810-22090	13	26
119810-22300	13	40
119810-22400	13	41
119810-23200	13	60
119810-23600	13	62 -1
119810-23610	13	68
119810-23910	13	66
119810-32000	14	1
119810-35300	14	9
119810-39200	14	51
119810-42000	15	2
119810-42001	15	2 -1
119810-51040	17	4
119810-51200	17	12
119810-53000	19	3
119810-55340	20	4
119810-55621	20	1
119810-55650	20	9
119810-59810	19	25
119810-59820	19	26
119810-59830	19	27
119810-77330	23	24
119831-42290	15	11
119840-59560	20	39

Parts No.	Fig. No.	Ref. No.
119840-59570	20	35
119841-12210	9	1 -1
119860-01640	4	6
119865-01331	1	42
	24	4
119865-11200	6	26
119865-11310	6	50
	24	10
119865-21600	13	18
		21
		24
119865-35300	14	21
119865-35320	14	23
119865-35330	14	24
119865-35350	14	26
119888-13101	11	1
119888-13500	10	3
119888-13600	10	6
119888-13651	10	9
119888-13670	10	12
119888-13680	10	15
119888-66110	21	69
119888-66120	21	93
119888-66130	21	89
119888-91400	23	25
119888-91610	23	35
119888-91620	23	36
120130-11860	7	41
	8	42
121000-13200	10	1
	24	20
121000-13201	10	1 -1
	24	20 -1
121100-22400	13	39
121111-21501	13	15
121250-44901	15	36
121250-55620	20	8
121250-59550	20	38
121254-55510	20	5
		52
121256-44600	16	29
121257-55700	20	48
121257-55720	20	55
121257-55731	20	56
121400-11340	7	20
	8	20
121400-12540	9	13
121400-12560	9	14
121400-12570	9	15
121400-91140	23	40

Parts No.	Fig. No.	Ref. No.
121400-91520	23	33
121400-91530	23	34
121420-12511	9	4
121420-12540	9	7
121420-12550	9	8
121420-12561	9	9
121422-12530	9	6
121422-12570	9	10
121422-12580	9	11
121450-01560	3	3
121450-01570	23	22
121450-42450	15	35
121470-44540	16	27
121520-34810	14	6
121521-12400	9	2
121521-12500	9	3
121550-23200	13	61
121550-49111	16	15
121750-49110	16	16
121850-11860	6	8
	7	9
	8	9
121850-21680	13	14
121850-35200	14	33
121850-35520	14	44
121850-35531	14	45
121850-51960	3	9
	18	55
121850-61380	18	56
122117-51560	17	46
	18	43
122710-51050	17	72
	18	4
122710-51090	17	7
	18	7
123682-44210	16	4
124060-11800	6	40
124066-59100	20	37
		45
124160-01751	3	4
	6	47
	7	59
	8	50
124160-01910	1	5
		22
	2	4
		5
124160-11340	6	19
124160-11360	6	55
	7	57

## Parts No. Index

Parts No.	Fig. No.	Ref. No.
124160-11360	8	58
124160-39140	14	50
124160-39450	14	55
124223-35510	14	43
124240-01871	3	6
124240-01882	3	7
	24	7
124240-01883	3	7 -1
	24	7 -1
124450-44510	16	22
124450-44530	16	24
124450-44550	16	28
124450-44560	16	25
124460-11340	7	19
	8	19
124465-44950	15	37
		38
124550-51350	17	32
	18	29
124550-51370	17	33
	18	30
124550-59820	14	64
124550-66370	21	49
124559-77971	23	29
124574-44761	15	16
124700-44740	15	13
124732-42290	15	12
124732-77720	23	26
124736-07900	6	53
	7	55
	8	56
124764-12600	9	22
124764-44800	16	5
124764-44810	16	27 -1
124764-44920	16	6
124766-59050	20	29
		29 -1
		36
		47
124770-11770	15	22
124770-91220	23	32
124950-11340	6	18
124950-51190	17	11
	18	11
124976-77011	22	1
126650-12680	9	12
126650-66020	21	86
128170-51300	17	27
	18	24
128300-77920	23	27

Parts No.	Fig. No.	Ref. No.
129001-32001	14	1 -1
129001-35300	14	21 -1
129001-42001	15	4 -2
129001-42040	15	39
129100-01580	4	3
		11
	13	10 A
		25
129100-01640	4	7
129100-01730	5	13
129100-01770	5	8 -1
129100-01790	5	11
		21
129100-11100	7	14
	8	14
129100-11130	7	15
	8	15
129100-11350	7	43
129100-23910	13	67
129100-25061	12	9
129100-25900	17	90
	18	87
129100-35140	14	32
129100-35300	14	13
129100-35301	14	13 -1
129100-42001	15	4
129100-42002	15	4 -1
129100-42020	15	5
	24	24
129100-49050	16	17
129100-49800	15	21
129100-49820	15	24
129100-49830	15	25
129100-49840	15	30
	24	28
129100-52100	17	74
	18	71
129100-53000	19	6
129100-55621	20	13
129100-55650	20	23
129100-55670	20	18
129100-55680	20	19
129100-55690	20	21
129100-55700	20	24
129100-59810	19	29
129100-59811	19	29 -1
129100-59820	19	30
129100-59821	19	30 -1
129100-59830	19	31
129100-59831	19	31 -1

Parts No.	Fig. No.	Ref. No.
129100-59951	20	43
129100-61400	21	22
129100-61440	21	26
129100-61500	21	32
129100-61821	21	45 -1
129100-61930	21	47
129103-33031	14	68
129103-33132	14	69
129103-35101	14	30
129103-35121	14	48
	24	30
129103-35122	14	48 -1
	24	30 -1
129103-49301	15	1
129111-13500	10	4
129111-13600	10	7
129111-13650	10	10
129111-13670	10	13
129111-13680	10	16
129111-44560	16	19
129120-77500	9	31
129120-77501	9	31 -1
		32
129122-12100	9	24
129122-44480	16	30
129129-14580	12	1 B
129136-12600	9	22 -1
129150-01200	1	41
	2	26
129150-01660	4	10
	24	9
129150-02020	1	28
	2	11
129150-02450	1	38
	2	24
	12	3
129150-02800	1	29 -1
	2	12 -1
129150-02870	1	51
	2	28
129150-02930	1	32 -1
	2	15 -1
129150-02940	1	54
	2	31
129150-03020	6	42
	7	44
	8	45
129150-03070	6	44
	7	46
	8	47

Parts No.	Fig. No.	Ref. No.
129150-03080	6	43
	7	45
	8	46
129150-03100	3	25
	6	52
	7	54
	8	55
129150-11230	6	28
	7	33
	8	32
129150-11280	6	36
	7	27
	8	30
129150-11290	7	28
129150-11310	7	52
	24	11
129150-11370	7	21
	8	21
129150-11750	6	30
	7	34
	8	34
129150-11810	7	42
	8	43
129150-12110	9	27
	24	15
129150-12111	9	27 -1
	24	15 -1
129150-13110	11	5
	24	18
129150-14101	12	4
129150-14200	12	8
129150-14400	12	7
129150-21200	13	7
129150-22300	13	38
129150-23600	13	63 -1
129150-23610	13	70
129150-25061	12	12
129150-25101	12	10
129150-32020	14	3
	24	21
129150-35040	14	8
	24	22
129150-35041	14	8 -1
	24	22 -1
129150-35101	14	18
129150-35110	14	19
	24	23
129150-35111	14	19 -1
	24	23 -1
129150-35150	14	20

## Parts No. Index

Parts No.	Fig. No.	Ref. No.
129150-35151	14	20 -1
129150-35340	14	25
129150-35350	14	27
129150-39150	14	52
		57
		61
129150-39180	14	53
		58
		62
129150-39450	14	56
129150-42020	15	6
	24	25
129150-49080	16	12
129150-49100	16	11
129150-49810	15	29
	24	27
129150-49811	15	29 -1
	24	27 -1
129150-59120	19	16
129150-59130	19	19
		23
129150-59580	20	42
		46
129150-77510	9	33
	24	29
129150-77511	9	33 -1
	24	29 -1
129150-91400	3	22
129155-11241	7	24
129155-11260	6	34
	7	25
	8	28
129155-11270	6	35
	7	26
	8	29
129155-49800	15	28
129155-51020	17	65
	18	64
129155-51140	17	8
	18	8
129155-51180	17	10
	18	10
129155-51200	17	15
	18	12
129155-51270	17	25
	18	22
129155-51280	17	26
	18	23
	21	1 A
129155-51320	17	30

Parts No.	Fig. No.	Ref. No.
129155-51320	18	27
129155-51340	17	31
	18	28
129155-51370	17	34
	18	31
129155-51380	17	35
	18	32
129155-51390	17	36
	18	33
129155-51400	17	37
129155-51410	17	38
	18	35
129155-51420	17	39
	18	36
129155-51450	17	40
	18	37
129155-51500	17	41
129155-51521	17	42
	18	39
129155-51530	17	43
	18	40
129155-51540	17	44
	18	41
129155-51550	17	45
	18	42
129155-51570	17	48
	18	45
129155-51580	17	49
	18	46
129155-51591	17	50
	18	47
129155-51600	17	51
	18	48
129155-51700	17	52
129155-51710	17	53
129155-51750	17	54
129155-51760	17	55
129155-51790	17	56
	18	53
129155-52050	17	73
	18	70
129155-61011	21	5
129155-61050	21	6
129155-61060	21	7
129155-61070	21	8
129155-61090	21	9
129155-61120	21	10
129155-61130	21	11
129155-61140	21	12
129155-61150	21	13

Parts No.	Fig. No.	Ref. No.
129155-61160	21	14
129155-61170	21	15
129155-61180	21	16
129155-61201	21	17
129155-61341	21	21
129155-61430	21	25
129155-61450	21	27
129155-61460	21	28
129155-61470	21	29
129155-61480	21	30
129155-61490	21	31
129155-61540	21	40
129155-61802	21	43
129155-61810	21	44
129155-61820	21	45
129155-61830	21	46
		46 -1
129155-61950	21	48
129156-01332	1	43
	24	5
129156-51910	17	57
	18	54
129255-59580	20	40
129258-49040	16	32 -1
129265-59580	20	32
129350-49530	15	19
129350-49560	15	19 -1
129400-01520	3	5
129400-01730	5	23
129400-01770	5	18 -1
129400-11350	8	44
129400-13200	10	2
	24	31
129400-13201	10	2 -1
	24	31 -1
129400-51200	17	22
	18	19
129400-59810	19	33
129400-59820	19	34
129400-59830	19	35
129400-59840	19	36
129400-77010	22	3
129400-77011	22	3 -1
129400-77330	23	20
129400-77400	22	65
129400-77440	22	68
129400-77460	22	70
129400-77470	22	71
129400-77480	22	72
129400-77490	22	73

Parts No.	Fig. No.	Ref. No.
129400-77510	22	74
129400-77520	22	76
129400-77530	22	77
129400-77570	22	81
129400-77640	22	82
129400-92410	24	32
129400-92420	24	33
129402-01321	2	27
	24	6
129402-22090	13	32
129403-34800	14	7 -1
129403-42380	15	10
129403-44740	15	14
129403-49031	16	31
129403-49050	16	32
129410-77330	23	20 -1
129411-13100	11	3
129411-13500	10	5
129411-13600	10	8
129411-13650	10	11
129411-13670	10	14
129411-13680	10	17
129411-44560	16	20
129418-32000	14	2 -1
129418-35100	14	30 -1
129436-35090	14	13 -2
129470-11080	7	5
	8	5
129470-11090	7	6
	8	6
129470-51040	18	3
129470-51060	17	5
	18	5
129470-51080	17	6
	18	6
129470-61650	21	41
129488-12100	9	25
129488-66120	21	94
129500-61650	21	41 -1
129500-61700	21	42
129550-11290	8	25
129550-11310	8	53
	24	12
129550-12110	9	28
	24	16
129550-12111	9	28 -1
	24	16 -1
129550-13110	11	6
	24	19
129550-39450	14	60

## Parts No. Index

Parts No.	Fig. No.	Ref. No.
129550-59120	19	20
129553-32000	14	2
129553-35500	14	37
129555-11241	8	24
129555-51400	18	34
129555-51500	18	38
129555-51700	18	49
129555-51710	18	50
129555-51750	18	51
129555-51760	18	52
129555-59510	20	31
129795-01780	4	9
129795-01800	3	2
129795-01950	3	8
129795-02411	1	37
	2	20
129795-11120	7	16
	8	16
129795-11180	7	17
	8	17
129795-21661	13	13
129795-49550	15	20
	24	26
129795-49551	15	20 -1
	24	26 -1
170064-67210	21	70
171001-93100	24	34
171008-77010	22	2
171008-77400	22	28
171008-77410	22	29
		66
171008-77420	22	30
		67
171008-77440	22	32
171008-77450	22	33
		69
171008-77460	22	34
171008-77470	22	35
171008-77480	22	36
171008-77490	22	37
171008-77500	22	38
171008-77510	22	39
		75
171008-77520	22	40
171008-77530	22	41
171008-77540	22	42
		78
171008-77570	22	45
171008-77571	22	45 -1
171008-77640	22	52

Parts No.	Fig. No.	Ref. No.
171008-77650	22	53
		83
171008-77660	22	54
		84
171008-77670	22	55
		85
171008-77720	22	59
		89
171008-77730	22	60
		90
171008-77740	22	61
		91
171008-77750	22	62
171048-67010	21	71
171048-67130	21	80
171048-67140	21	81
171051-01921	1	6
		23
	2	6
171061-12520	9	5
171080-91100	23	30
171081-55910	20	59
171085-67100	21	77
171085-67110	21	78
171085-67120	21	79
171102-66080	21	72
171301-01600	4	1
171301-01640	5	2
		9
		19
171301-12701	9	23
171301-21580	13	16
171301-21650	13	11
171301-44500	16	1
171301-44560	16	21
171301-49010	16	7
171301-49020	16	9
171301-77201	23	1
171301-77720	23	43
171340-21580	13	19
171340-21650	13	12
171340-44740	15	15
171350-03090	6	51
	7	53
	8	54
171350-13100	11	2
171351-12210	9	1
171351-12560	9	17
171351-12570	9	18
171351-12580	9	16

Parts No.	Fig. No.	Ref. No.
171420-21580	13	22
171420-34820	14	7
171420-49010	16	8
171420-49020	16	10
171440-44500	16	2
171460-44500	16	3
174307-51170	17	9
	18	9
174307-51560	17	47
	18	44
174307-51700	21	33
194145-56901	23	41
194990-22050	10	18
	11	12
22117-040000	21	50
		50 -1
22190-100000	21	51
22212-100000	23	18
22217-050000	17	58
		59
	18	57
		68
	21	53
22217-060000	17	60
	18	58
22217-100000	21	87
22217-120000	17	91
	18	88
22272-000040	21	54
22272-000050	21	90
22272-000060	21	55
22287-120000	17	61
	18	59
	21	56
22312-060080	14	47 C
22351-020006	21	82
22351-030016	21	57
22351-040010	13	8
		72
22351-050010	17	62
	18	60
22351-060012	6	21
	7	22
	8	22
22360-040000	21	59
22360-050000	21	58
22372-040000	21	58 -1
		59 -1
22411-200150	21	83
22512-070140	12	5

Parts No.	Fig. No.	Ref. No.
22512-070140	13	9
22871-020000	14	47 A
23000-013000	20	34
23000-016000	16	18
23000-022000	16	33
23000-060000	9	19
23010-038000	16	14
23061-070230	16	26
23414-050000	21	60
23414-080000	2	21
	14	65
23414-100000	14	67
23414-120000	20	44
23414-180000	14	46
23418-060000	20	60
23871-010000	1	7
		24
	2	7
23871-020000	14	47
23871-030000	2	22
	6	9
	7	10
	8	10
	15	3
		4 S
		26
23887-100002	21	61
23887-120002	1	44
24311-000120	6	56
	7	58
	8	59
24311-000160	3	10
	14	28
	20	12 A
		25
24311-000200	14	70
24311-000210	14	71
24311-000320	3	11
	6	48
	7	60
	8	51
	24	8
		13
24311-240100	20	12
		17
		61
	21	96
24321-000300	15	40
24321-000550	14	72
24321-000650	20	22

## Parts No. Index

Parts No.	Fig. No.	Ref. No.
24341-000160	17	64
	18	61
24341-000240	3	23
	5	4
24341-000500		12
		22
	6	45
	7	47
26014-060162	8	48
	15	17
	15	18
26014-060252	15	18
26014-080252	23	21
26014-080302	10	19
26014-080702	20	26
26022-040252	23	8
26022-050102	17	66
		67
26022-060162	18	65 -1
		69 -1
	21	64 -1
26106-060102	17	68
	18	66
26106-060162	21	91
	23	28
26106-060202	3	24
26106-060322	21	62
26106-060402	22	63
		92
26106-080102	22	64
		93
26106-080122	10	20
26106-080142	2	23
	3	12
26106-080162	6	54
	7	56
	8	57
	9	20
	10	21
26106-080182	1	39
	2	25
	3	13
		14
	5	6
		14
		24
6	46	
7	48	
8	49	
	21	92
	15	41

Parts No.	Fig. No.	Ref. No.
26106-080202	3	15
	14	29
	15	31
26106-080252	5	15
		25
	6	38
	7	39
26106-080302	8	40
	9	29
	15	32
	4	12
	4	13
26106-080352	9	30
		34
26106-080452	14	17 -1
	15	7
	3	16
	5	7
26106-080502		16
		26
	12	13
	5	17
		27
26106-080552	6	39
	7	40
	8	41
26106-080602	15	33
	3	17
26106-080752	15	8
		8 -1
26106-080802	11	7
26106-080852	15	9
26116-050302		34
26116-050309	14	49
26116-060082	11	8
26116-060162	3	18
26116-060352	17	71 -1
26116-120252	18	63 -1
26206-100252	17	71
26206-100302	18	63
26216-060202	21	84
	17	27
	14	17
	22	94
	4	4
	4	5
	7	11
	8	11
	6	10
	11	9

Parts No.	Fig. No.	Ref. No.
26216-080802	11	10
26226-080182	6	37
	7	35
	8	35
26226-080602	11	11
26366-060002	6	22
	7	23
26366-080002	8	23
	9	21
	3	19
26366-100002	21	63
26367-060002	23	23
26450-060252	6	22 -1
26557-050102	14	4
	18	65
26657-100002		69
		64
26687-120002	21	88
26716-060002	21	47 -1
26716-100002	17	69
	18	67
26716-120002	23	19
26756-050002	17	92
26756-060002	18	89
26756-080002	21	95
26776-120002	21	65
26777-120002		65 -1
26921-050122	8	36
27217-050000	21	66
27231-500000	21	67 -1
27241-120000	21	67
	21	85
27241-200000	17	70
	1	8
27241-220000		25
		8
27241-300000	1	9
	2	9
27241-400000	14	47 B
	6	11
27310-070001	7	12
	8	12
	1	10
	2	27
	2	10
	6	12
	7	13
	8	13
	6	17 -1

Parts No.	Fig. No.	Ref. No.
27310-080001	7	18 -1
	8	18 -1
28110-100120	24	37
28110-140170	24	38
28110-190220	24	39
28210-000140	24	40
43400-500390	21	60 -1
43400-500410	3	20
		21
43400-500430	14	65 -1
		66
43400-500450	21	51 -1
		52 -1
43400-500490	21	52
		68
719800-11700	17	63
	18	62
719810-01500	6	1
719810-01560	3	1
719810-01650	1	1
719810-02800	4	6 -1
719810-02930	1	12
719810-11650	1	15
719810-21700	6	27 -1
719810-21701	13	1 -1
719810-22500	13	1
719810-22910	13	28 -1
719810-22960	13	42
719810-23100	13	44
719810-23600	13	54 -1
719810-23700	13	62
719810-51400	13	54
719810-53100	17	1
719820-11700	19	1
719865-11650	6	1 -1
719885-11650	6	27
719888-01540	5	1
719888-22500	13	28
719888-92601	24	1
719888-92602	24	1 -1
729100-53100	24	1
729102-21700	19	2
729102-51400	13	2
729120-22500	17	2
729120-22950	13	34
729150-02800	13	50
729150-02930	1	29
	2	12
729150-11650	1	32
	2	15
	8	31

## Parts No. Index

Parts No.	Fig. No.	Ref. No.
729150-11651	7	31
729150-23600	13	63
729150-23700	13	55
729151-01560	1	2
729188-92601	24	2
729188-92602	24	2 -1
729400-01541	5	18
729400-21700	13	3
729402-01560	2	1
729402-11650	7	31 -1
	8	31 -1
729402-11700	8	1
729402-14580	12	1 C
729402-22910	13	48
729402-23100	13	55 -1
729402-51400	18	1
729488-92601	24	3
729488-92602	24	3 -1
771341-01540	5	8
771364-11700	7	1
933110-00100	23	37
933110-00301	23	39
X211414501	22	27
X211415502	22	5
X211415505	22	14
X211425502	22	6
X211425505	22	17
X21142867	22	26
X211429006	22	16
X211429007	22	11
X21143315	22	9
X211435502	22	18
X211445502	22	19
X211447007	22	22
X211448004	22	24
X211451007	22	4
X21145866	22	25
X211459002	22	12
X21146012	22	21
X211468005	22	23
X211472106	22	7
X211476504	22	20
X21148215	22	8
X211483003	22	10
X21148314	22	13
X211495009	22	15
XM08137	23	2
XM08138	23	3
XM08180	23	4
XM17878	23	6

Parts No.	Fig. No.	Ref. No.
XM27436	23	5
		15
XM36410	23	7
XM37336	23	14
XM72174	23	12
XM72664	23	13
XM82110	23	11
XM82184	23	10
XYSPS4008	23	9

Parts No.	Fig. No.	Ref. No.
-----------	----------	----------

Parts No.	Fig. No.	Ref. No.
-----------	----------	----------