

OCD10-M30403EN

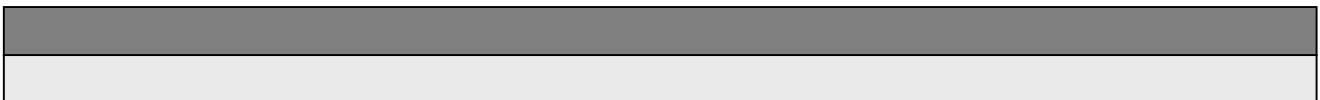
PREFACE

1. This Parts Catalog is the 1st edition of 3TN84TL-RMZ Diesel Engine for MITSUI.

Pub. No. : 000Y00D3043
Published : September, 1992

2. Model name

Engine model	Vehicle		Vehicle made by
	Products	Model name	
3TN84TL-RMZ	WHEEL LOADER	—	MITSUI



Directions for the Parts Catalog.

1. This Parts Catalog shows both standard and optional parts.
2. Parts may change without prior notice.
3. The following is an example of the Parts Catalog format.

REF.	LEV.	PARTS NO.	DESCRIPTION	Q'TY						I	R
				(A)	(B)	(C)	(D)	(E)	(F)		
1	1	729595-51390	FUEL INJECTION PUMP	1	1	1	1	1			1
1-1	1	729595-51391	FUEL INJECTION PUMP	1	1	1	1	1		N	1
		(A=E00185) (B=E00200)									
3	2	26022-060162	SCREW M 6X 16	9	9	9	9	9			
3-1	2	26022-060162	SCREW M 6X 16	4	4	4	4	4		K	
		(A=E00156) (B=E00156) (C=E00156) (D=E00156) (E=E00156)									
4	2	129470-51040	CAMSHAFT	1	1	1	1	1			
5	2	122710-51050	BEARING, ROLLER	2	2	2	2	2			
6	2	129470-51060	RETAINER	1	1	1	1	1			

Remarks
(1) BOOST COMPEMSATOR TYPE. OPTIONAL PART, TO E00155,(4JH-DT, 4JH-DTZ

① Ref. No.

The Ref. No. listed may not be in accordance with the illustration Ref. No.

(Ex.) Illustration No.

List Ref No.

1

1

(Before change)

1-1

(After change)

For interchangeable symbols N, R and K, illustrations for new parts may be abbreviated.

② Lev. (Level)

Level indication

The numbers below indicate the level of relativity towards the main part.

1 ----- Main parts (Assembly parts)

2 ----- Sub component included in " 1 ".

3 ----- Sub component included in " 2 ".

Note) Parts that are not for sale are partially illustrated but not listed.

③ Interchangeability Symbol

When a part change takes place, one of the following interchangeability symbols is indicated beside the part.

Symbol	Interchangeability	Contents note
N	Old $\begin{matrix} \leftarrow \text{Yes} \\ \text{No} \rightarrow \end{matrix}$ New	New Part is interchangeable for Old Part but Old Part is not interchangeable for New Part.
Q	Old $\begin{matrix} \leftarrow \text{No} \\ \text{Yes} \rightarrow \end{matrix}$ New	New Part is not interchangeable for Old Part but Old Part is interchangeable for New Part.
R	Old $\begin{matrix} \leftarrow \text{Yes} \\ \text{Yes} \rightarrow \end{matrix}$ New	New/ Old Parts are both interchangeable.
S	Old $\begin{matrix} \leftarrow \text{No} \\ \text{No} \rightarrow \end{matrix}$ New	New/ Old Parts are both not interchangeable.
W		Part newly added.
Z		Part discontinued.
F		Not interchangeable by a single part but interchangeable together with related parts.
K		Changes only for used parts quantities.

④ Effective Machine No.

When a part changes, the effective Machine No. will be indicated in the (A)-(F) column.

Product Symbol	Product No.	Product Symbol	Product No.
C	Clutch No. Compressor No.	F	Machine No. (Agricultural Equip.)
D	Drive No.	M	Machine No.
E	Engine No.		

Note 1) A date may follow the symbol. (Ex.) 1996.01

Note 2) "XXXXX" and "ZZZZZ" are for parts that could not be predicted or for engine models that could not be identified.

Note 3) (A=E00185) is the E (Engine Serial Number) for the column (A) model (in this case 4JH-DT) after the parts design change.

⑤ Remarks

Figures or alphabets (symbols) are entered in the remarks column.

The comments (remarks) on parts that are indicated at the bottom of the illustration are the same symbols as those stated above.

Contents

Fig. No. Fig. Name

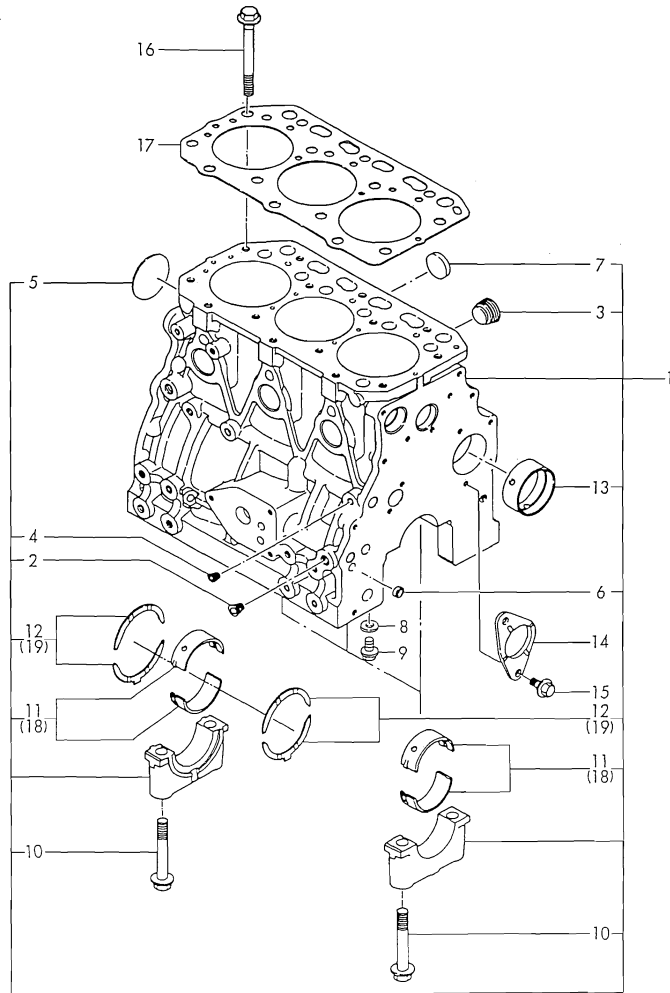
ENGINE 3TN84TL-RMZ

1. CYLINDER BLOCK
2. GEAR HOUSING
3. FLYWHEEL HOUSING & OIL SUMP
4. CYLINDER HEAD & BONNET
5. SUCTION MANIFOLD
6. CAMSHAFT & DRIVING GEAR
7. TURBO-CHARGER
8. TARBO-CHARGER(COMPONENT PARTS)
9. CRANKSHAFT & PISTON
10. LUB. OIL SYSTEM
11. LUB. OIL PIPES
12. COOLING WATER SYSTEM
13. THERMOSTAT
14. FUEL INJECTION PUMP
15. FUEL INJECTION VALVE
16. FUEL PIPES
17. GOVERNOR
18. ENGINE STOPPING DEVICE
19. STARTING MORTOR(COMPONENT PART)
20. GENERATOR
21. GASKET SET & TOOL(OPTIONAL)

Fig. No. Fig. Name

Fig.1. CYLINDER BLOCK

029106-01100
029150-02100
029129-02200



(A)=3TN84TL-RMZ

(B)=

(C)=

(D)=

(E)=

(F)=

No.	Lev.	Parts No.	Description	Q'ty						I	R
				(A)	(B)	(C)	(D)	(E)	(F)		
1	1	729106-01560	BLOCK ASSY, CYLINDER	1							
2	2	124160-01910	PLUG, PT1/4	3							
3	2	171051-01921	PLUG, NPTF1	1							
4	2	23871-010000	PLUG, R01	1							
5	2	27231-500000	PLUG 50	1							
6	2	27241-120000	PLUG, 12	2							
7	2	27241-300000	PLUG 30	6							
8	2	23414-080000	GASKET, 8X1.0	3							Z
(A=EXXX)											
9	2	26106-080122	BOLT, M8X 12 PLATED	3							Z
(A=EXXX)											
10	2	129150-02020	BOLT, METAL CAP	8							
11	2	129150-02800	BEARING, MAIN	4							
12	2	129150-02930	BEARING, THRUST	2							
13	2	129795-02411	BUSH, CAMSHAFT	1							
14	1	129150-02450	BEARING, THRUST	1							Z
(A=EXXX)											
15	1	26106-080162	BOLT, M8X 16 PLATED	2							
16	1	129150-01200	BOLT, HEAD	14							
17	1	129157-01332	GASKET, HEAD	1							\$
18	1	129150-02870	BEARING, 0.25 US	4							1
19	1	129150-02940	BEARING, THRUST 0.25	2							2

Remarks

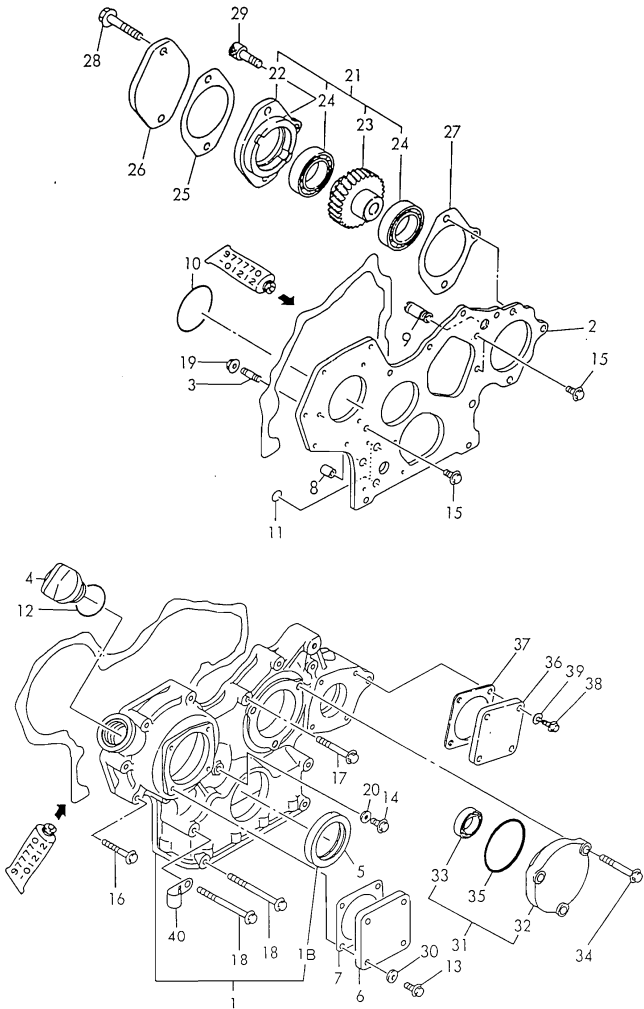
(1) UNDER-SIZED(U.S=0.25)PART.

(2) OVER-SIZED(O.S=0.25)PART.

(§) THESE PARTS ARE SOLD BY FIG.21, REF.NO.1,1-1.

Fig.2. GEAR HOUSING

029189-01220
029137-01800
029189-02200
029137-26110



(A)=3TN84TL-RMZ

(B)=

(C)=

(D)=

(E)=

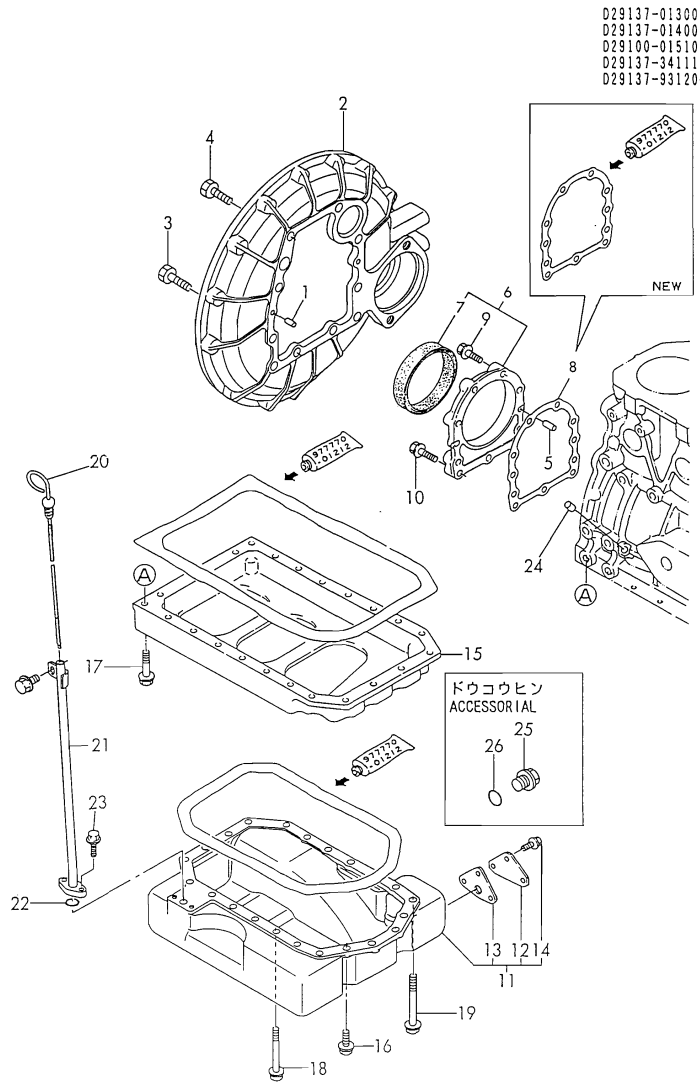
(F)=

No.	Lev.	Parts No.	Description	Q'ty						I	R
				(A)	(B)	(C)	(D)	(E)	(F)		
1	1	171353-01590	CASE ASSY, GEAR	1							W
		(A=*1990.05)									
1B	2	129795-01800	SEAL, OIL	1							W
		(A=*1990.05)									
2	1	129189-01520	FLANGE, GEAR CASE	1							
3	1	121450-01560	STUD, M8X22	3							
4	1	124160-01751	COVER, FILLER	1							
5	1	129795-01800	SEAL, OIL	1							Z
		(A=*1990.05)									
6	1	124240-01871	COVER	1							
7	1	124240-01882	GASKET	1							\$
7-1	1	124240-01883	GASKET	1							N \$
		(A=*1990.01)									
8	1	129795-01950	PIPE, KNOCK L=18	2							
9	1	129122-44480	JOINT	1							
10	1	121850-51960	O-RING	1							\$
11	1	24311-000160	O-RING, 1AP16.0	2							\$
12	1	24311-000320	O-RING, 1AP32.0	1							\$
13	1	26106-080122	BOLT, M8X 12 PLATED	4							
14	1	26106-080162	BOLT, M8X 16 PLATED	1							
15	1	26106-080162	BOLT, M8X 16 PLATED	3							
16	1	26106-080452	BOLT, M8X 45 PLATED	6							
17	1	26106-080552	BOLT, M8X 55 PLATED	3							
18	1	26106-080852	BOLT, M8X 85 PLATED	4							
19	1	26366-080002	NUT, M8	3							
20	1	43400-500410	SEAL WASHER 8S	1							
21	1	129137-26000	DRIVE ASSY, PUMP	1							
22	2	171353-26050	BRACKET, PUMP	1							
23	2	129137-26200	GEAR ASSY	1							
24	2	24101-060064	BEARING, BALL 6006	2							
25	1	121023-26060	GASKET	1							\$
25-1	1	121023-26061	GASKET	1							N \$
		(A=*1990.06)									
26	1	121023-26070	COVER	1							
27	1	171353-26080	GASKET	1							\$
28	1	26106-100452	BOLT, M10X 45 PLATED	2							
29	1	26450-080282	BOLT, M8X 28	1							
30	1	43400-500410	SEAL WASHER 8S	4							
31	1	129189-02990	COVER	1							
32	2	129189-02800	CASE, BEARING	1							
33	2	24101-063030	BEARING, BALL 6303C3	1							
34	1	129189-91980	BOLT	3							
35	1	24321-000650	O-RING, 1AG65.0	1							\$
35-1	1	24321-000600	O-RING, 1AG60.0	1							N \$
		(A=*1989.)									
36	1	124240-01871	COVER	1							
37	1	124240-01882	GASKET	1							\$
37-1	1	124240-01883	GASKET	1							N \$
		(A=*1990.01)									
38	1	26106-080162	BOLT, M8X 16 PLATED	4							
38-1	1	26106-080122	BOLT, M8X 12 PLATED	4							N

Remarks

(\$) THESE PARTS ARE SOLD BY FIG.21,
REF.NO.1,1-1.

Fig.3. FLYWHEEL HOUSING & OIL SUMP



(A)=3TN84TL-RMZ

(B)=

(C)=

(D)=

(E)=

(F)=

No.	Lev.	Parts No.	Description	Q'ty						I	R
				(A)	(B)	(C)	(D)	(E)	(F)		
1	1	129100-01580	PIN, M8X16	2							
2	1	129137-01600	HOUSING, FLYWHEEL	1							
3	1	26206-100252	BOLT, M10X 25 PLATED	6							
4	1	26206-100302	BOLT, M10X 30 PLATED	4							
5	1	129100-01580	PIN, M8X16	2							
6	1	129100-01640	CASE ASSY, OIL SEAL	1							W
(A=*1990.05)											
7	2	129795-01780	SEAL, OIL	1							
8	1	129150-01660	GASKET	1							Z \$
(A=E02710)											
9	1	26106-080302	BOLT, M8X 30 PLATED	6							
10	1	26106-080352	BOLT, M8X 35 PLATED	3							
11	1	729137-01540	SUMP ASSY, OIL	1							
11-1	1	129137-01770	SUMP ASSY, OIL	1							R
(A=*1990.)											
12	2	171058-01630	COVER	1							
13	2	171058-01640	GASKET	1							\$
14	2	26106-080162	BOLT, M8X 16 PLATED	3							
15	1	129100-01730	SPACER, OIL SUMP	1							
16	1	26106-080252	BOLT, M8X 25 PLATED	6							
17	1	26106-080452	BOLT, M8X 45 PLATED	2							
18	1	26106-080602	BOLT, M8X 60 PLATED	9							
19	1	26106-081002	BOLT, M8X100 PLATED	9							
20	1	129137-34800	DIPSTICK, OIL	1							
21	1	129137-34810	GUIDE, DIPSTICK	1							
21-1	1	129137-34811	GUIDE, DIPSTICK	1							N
(A=*1989.)											
22	1	24311-000150	O-RING, 1AP15.0	1							
23	1	26106-060202	BOLT, M6X 20 PLATED	2							
24	1	27225-100140	PLUG, 10X14	1							
25	1	171301-01640	PLUG, 22	1							W 1
(A=E02281)											
26	1	24341-000250	O-RING, 1AS25.0	1							W 1
(A=E02281)											
26-1	1	24341-000240	O-RING, 1AS24.0	1							N
(A=EXXX)											

Remarks

(1) ACCESSORIAL.

(\$) THESE PARTS ARE SOLD BY FIG.21, REF.NO.1,1-1.

Fig.4. CYLINDER HEAD & BONNET

(A)=3TN84TL-RMZ

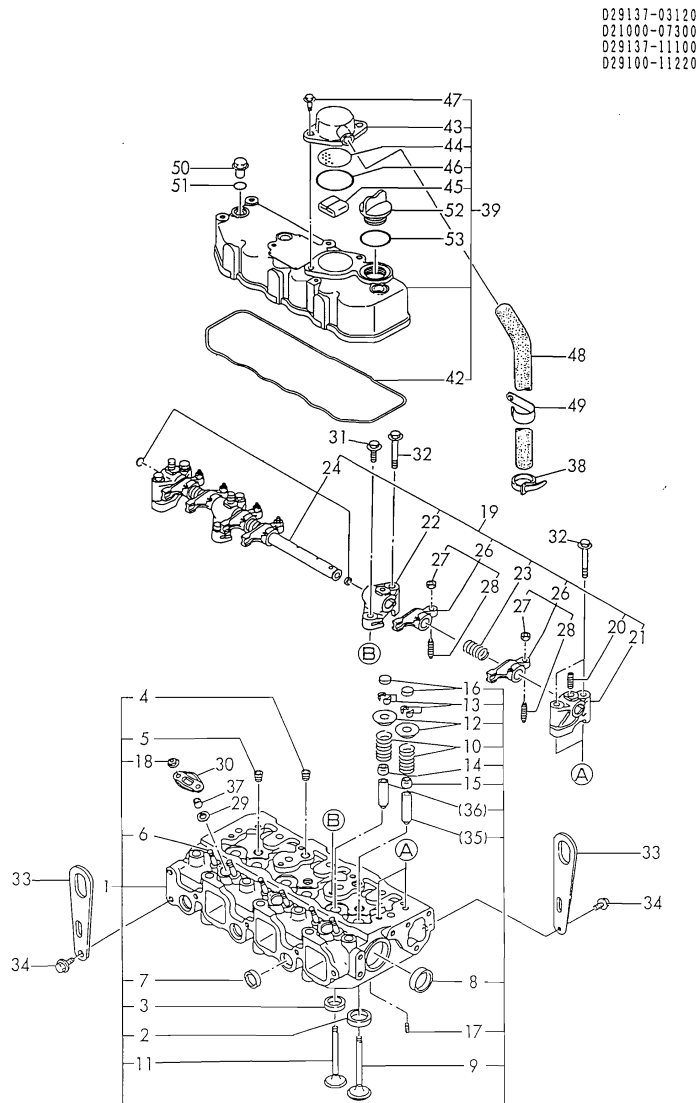
(B)=

(C)=

(D)=

(E)=

(F)=



029137-03120
021000-07300
029137-11100
029100-11220

No.	Lev.	Parts No.	Description	Q'ty						I	R
				(A)	(B)	(C)	(D)	(E)	(F)		
1	1	771364-11701	HEAD ASSY, CYLINDER	1							
2	2	129470-11080	SEAT, INTAKE VALVE	3							
3	2	129470-11090	SEAT, EXHAUST VALVE	3							
4	2	121850-11860	PLUG, PT1/4	2							
5	2	23871-030000	PLUG, R03	3							
6	2	26216-060202	STUD, M6X 20	6							
7	2	27241-220000	PLUG, 22	3							
8	2	27241-400000	PLUG, 40	2							
9	2	129100-11100	VALVE, INTAKE	3							
10	2	129795-11120	SPRING, VALVE	6							
11	2	129100-11130	VALVE, EXHAUST	3							
12	2	129795-11180	RETAINER, SPRING	6							
13	2	103338-11190	COTTER	6							
13-1	2	27310-080001	COTTER, 8	6							R
(A=EXXXXX)											
14	2	121400-11340	SEAL, VALVE STEM	3							\$
15	2	124460-11340	SEAL, VALVE STEM	3							\$
16	2	129150-11370	CAP, VALVE	6							
17	2	22351-060012	PIN, SPRING 6.0X12	2							
18	2	26366-060002	NUT, M6	6							
19	1	129155-11241	SHAFT ASSY, ROCKER	1							
20	2	26226-080182	STUD, M8X 18	3							
21	2	129155-11260	SUPPORT, ROCKER ARM	2							
22	2	129155-11270	SUPPORT, ROCKER ARM	2							
23	2	129150-11280	SPRING	3							
24	2	129150-11290	SHAFT, ROCKER ARM	1							
26	2	729150-11650	ARM ASSY, ROCKER	6							
26-1	2	729402-11650	ARM ASSY, ROCKER	6							N
(A=*1990.05)											
27	3	129150-11750	NUT, M8	6							
28	3	129150-11230	SCREW, VALVE ADJUST	6							
29	1	129137-11880	SEAT, NOZZLE	3							Z \$
(A=EXXXX)											
30	1	119625-11900	RETAINER, NOZZLE	3							
31	1	26106-080252	BOLT, M8X 25 PLATED	2							
32	1	26106-080502	BOLT, M8X 50 PLATED	6							
33	1	124736-07900	LIFTER	2							
34	1	26106-080142	BOLT, M8X 14 PLATED	4							
35	1	120130-11860	GUIDE, VALVE	3							1
36	1	129150-11810	GUIDE, VALVE	3							1
37	1	119625-11870	PROTECTOR, NOZZLE	3							Z \$
(A=EXXXX)											
38	1	121750-59890	BAND, 140	1							
39	1	729132-11520	BONNET ASSY, HEAD	1							
39-1	1	129100-11350	BONNET ASSY, HEAD	1							N
(A=*1990.05)											
42	2	129150-11310	GASKET, BONNET	1							\$
43	2	129150-03020	COVER, BREATHER	1							
44	2	129150-03080	PLATE, BAFFLE	1							
45	2	129150-03070	BAFFLE, BREATHER	1							
46	2	24341-000500	O-RING, 1AS50.0	1							

Remarks

(1) ONLY FOR REPAIR.

(\$) THESE PARTS ARE SOLD BY FIG.21,

REF.NO.1,1-1.

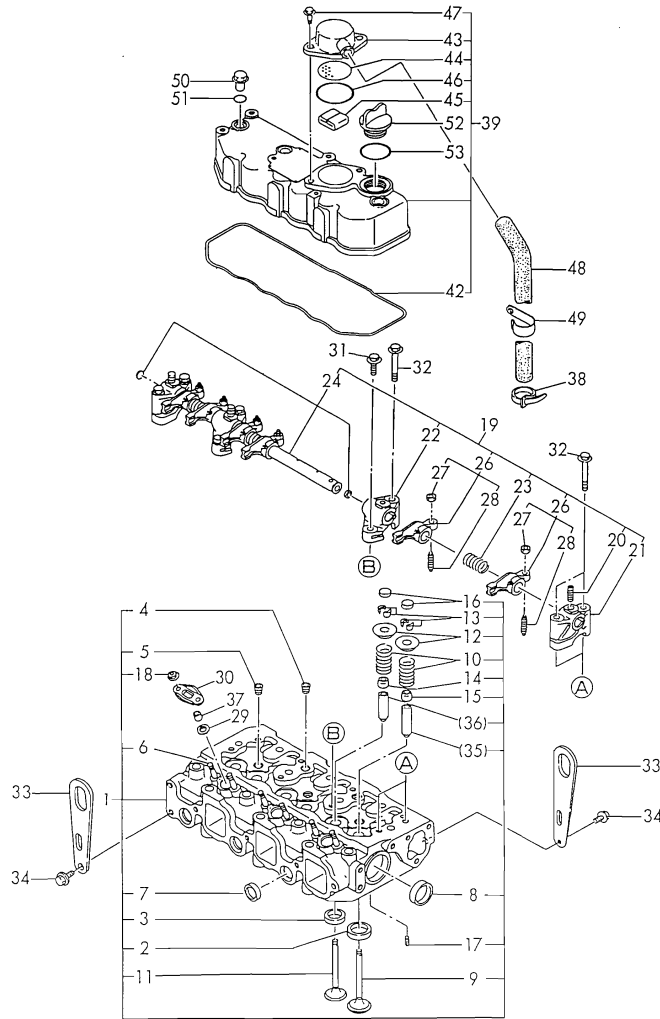
N:Old $\frac{Yes}{No}$ New, Q:Old $\frac{No}{Yes}$ New, R:Old $\frac{Yes}{Yes}$ New, S:Old $\frac{No}{No}$ New, W:Add, Z:Discontinued, F:Interchangeable by set, K:Q'ty Change

++ CONTINUE ++

Copyright (C) YANMAR CO., LTD. All Rights Reserved.

Fig.4. CYLINDER HEAD & BONNET

029137-03120
 021000-07300
 029137-11100
 029100-11220



(A)=3TN84TL-RMZ

(B)=

(C)=

(D)=

(E)=

(F)=

No.	Lev.	Parts No.	Description	Q'ty						I	R
				(A)	(B)	(C)	(D)	(E)	(F)		
47	2	26106-080162	BOLT, M8X 16 PLATED	2							
48	1	171350-03090	PIPE , BREATHER 900	1							
49	1	129150-03100	RETAINER, PIPE	1							Z
(A=*1990.05)											
50	1	124160-11360	KNOB	3							
51	1	24311-000120	O-RING, 1AP12.0	3							
52	1	124160-01751	COVER, FILLER	1							
53	1	24311-000320	O-RING, 1AP32.0	1							

Remarks

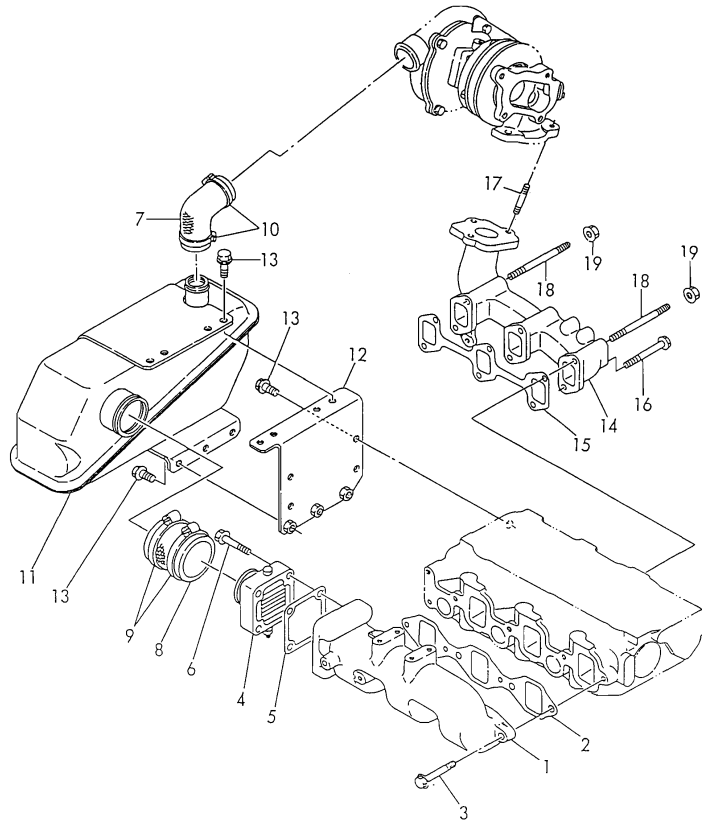
(1) ONLY FOR REPAIR.

(S) THESE PARTS ARE SOLD BY FIG.21,

REF.NO.1,1-1.

Fig.5. SUCTION MANIFOLD

D29100-12100
 D29139-12300
 D29139-1240012
 D29139-13100TK
 D29100-77501



(A)=3TN84TL-RMZ

(B)=

(C)=

(D)=

(E)=

(F)=

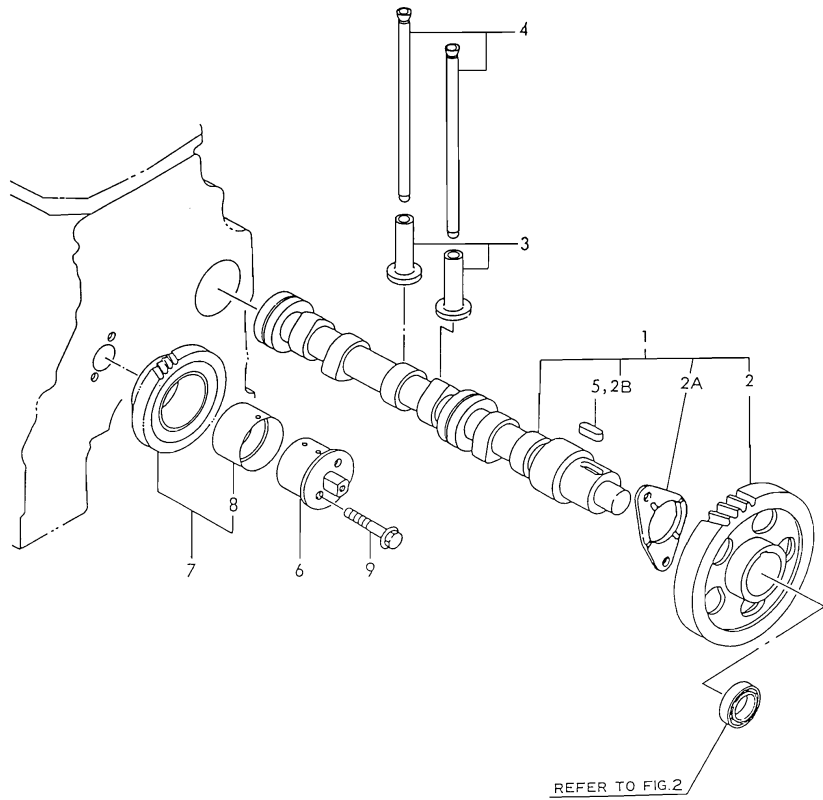
No.	Lev.	Parts No.	Description	Q'ty						I	R
				(A)	(B)	(C)	(D)	(E)	(F)		
1	1	129122-12100	MANIFOLD, AIR INTAKE	1							
2	1	129150-12110	GASKET, MANIFOLD	1							\$
2-1	1	129150-12111	GASKET, MANIFOLD	1						N	\$
(A=*1990.06)											
3	1	26106-080252	BOLT, M8X 25 PLATED	4							
4	1	129120-77501	HEATER	1							
5	1	129150-77510	GASKET	1							\$
5-1	1	129150-77511	GASKET	1						N	\$
(A=*1990.06)											
6	1	26106-080352	BOLT, M8X 35 PLATED	4							
7	1	129139-12050	HOSE, WATER	1							
8	1	129122-12060	HOSE	1							
9	1	23000-060000	CLAMP, 60	2							
10	1	23010-040000	CLAMP, 40	2							
10-1	1	23000-041000	CLAMP, 41	2						R	
(A=*1990.11)											
11	1	129139-12200	TANK, SURGE	1							
12	1	129122-12211	BRACKET	1							
13	1	26106-080162	BOLT, M8X 16 PLATED	11							
14	1	129139-13100	MANIFOLD, EXHAUST	1							
15	1	129150-13110	GASKET	1							\$
16	1	26106-080802	BOLT, M8X 80 PLATED	4							
17	1	26216-080222	STUD, M8X 22	3							
18	1	26216-080802	STUD, M8X 80	2							
19	1	194990-22050	NUT, M8	2							

Remarks

(\$) THESE PARTS ARE SOLD BY FIG.21,
 REF.NO.1,1-1.

Fig.6. CAMSHAFT & DRIVING GEAR

029189-14110
029189-25100



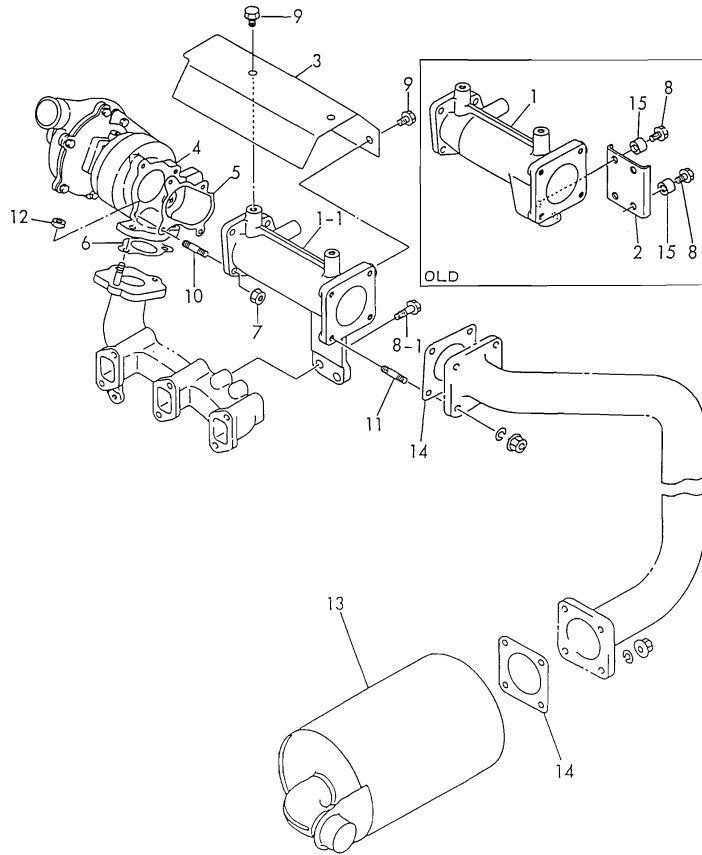
(A)=3TN84TL-RMZ
(B)=
(C)=

(D)=
(E)=
(F)=

No.	Lev.	Parts No.	Description	Q'ty						I	R
				(A)	(B)	(C)	(D)	(E)	(F)		
1	1	129189-14580 (A=EXXX)	CAMSHAFT	1							W
2	2	129189-14100	GEAR, CAMSHAFT	1							
2A	2	129150-02450 (A=EXXX)	BEARING, THRUST	1							W
2B	2	22512-070140 (A=EXXX)	KEY, 7X 14	1							W
3	1	129150-14200	TAPPET	6							
4	1	129150-14400	ROD, PUSH L=178	6							
5	1	22512-070140 (A=EXXX)	KEY, 7X 14	1							Z
6	1	129189-25050	SHAFT, IDLE	1							
7	1	129189-25100	GEAR ASSY, IDLE	1							
8	2	129189-25060	BUSH, IDLE GEAR	1							
9	1	26106-080502	BOLT, M8X 50 PLATED	2							

Fig.7. TURBO-CHARGER

029137-18100TK
029137-93120



(A)=3TN84TL-RMZ

(B)=

(C)=

(D)=

(E)=

(F)=

No.	Lev.	Parts No.	Description	Q'ty						I	R
				(A)	(B)	(C)	(D)	(E)	(F)		
1	1	129137-13300	PIPE	1							
1-1	1	129137-13301	PIPE	1							R
(A=E02444)											
2	1	129137-13350	SUPPORT	1							Z
(A=E02444)											
3	1	129137-13410	COVER, TURBINE	1							
4	1	129137-18010	TURBINE, RHB31W/G	1							
5	1	129403-18090	GASKET	1							\$
6	1	129477-18100	GASKET	1							
7	1	194990-22050	NUT, M8	4							
8	1	26106-080222	BOLT, M8X 22 PLATED	4							
8-1	1	26106-080222	BOLT, M8X 22 PLATED	2							K
(A=E02444)											
9	1	26106-080122	BOLT, M8X 12 PLATED	4							
10	1	26216-080222	STUD, M8X 22	4							
11	1	26216-080222	STUD, M8X 22	4							
12	1	194990-22050	NUT, M8	3							
13	1	129137-13510	SILENCER	1							
14	1	129400-13200	GASKET, SILENCER	2							\$
14-1	1	129400-13201	GASKET, SILENCER	2							N \$
(A=*1990.06)											
15	1	123372-03150	SPACER	4							Z
(A=E02444)											

Remarks

(\$) THESE PARTS ARE SOLD BY FIG.21,
REF.NO.1,1-1.

Fig.8. TARBO-CHARGER(COMPONENT PARTS)

(A)=3TN84TL-RMZ

(B)=

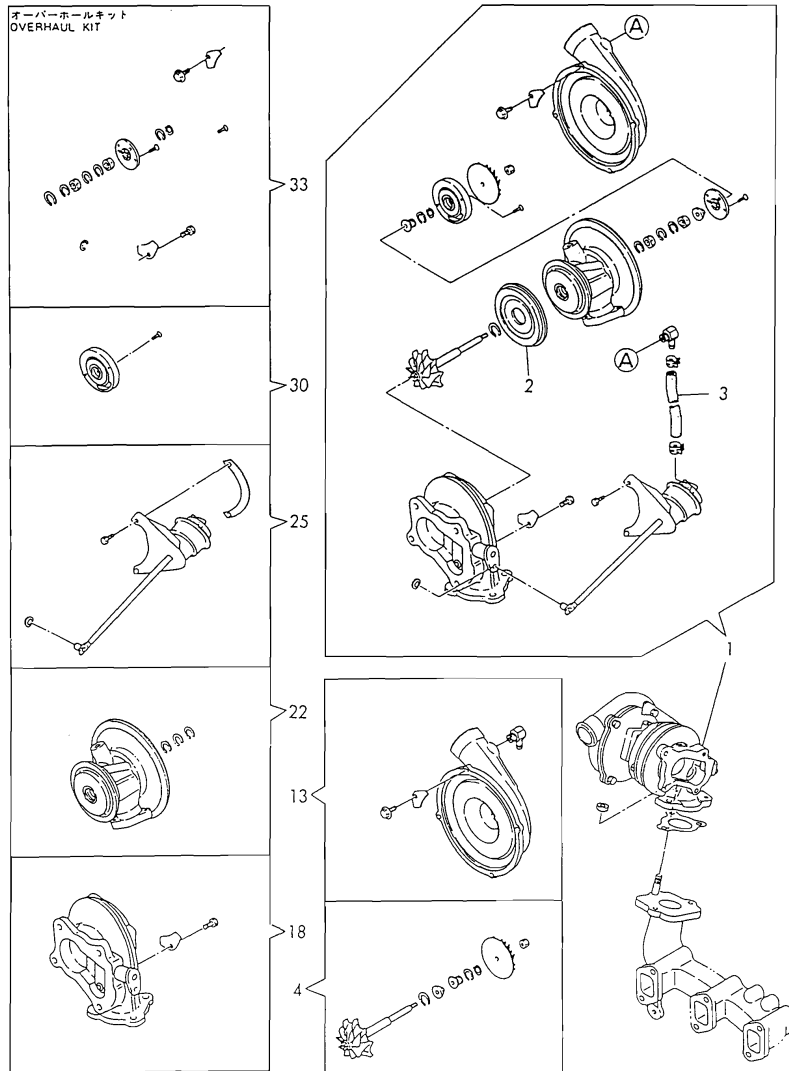
(C)=

(D)=

(E)=

(F)=

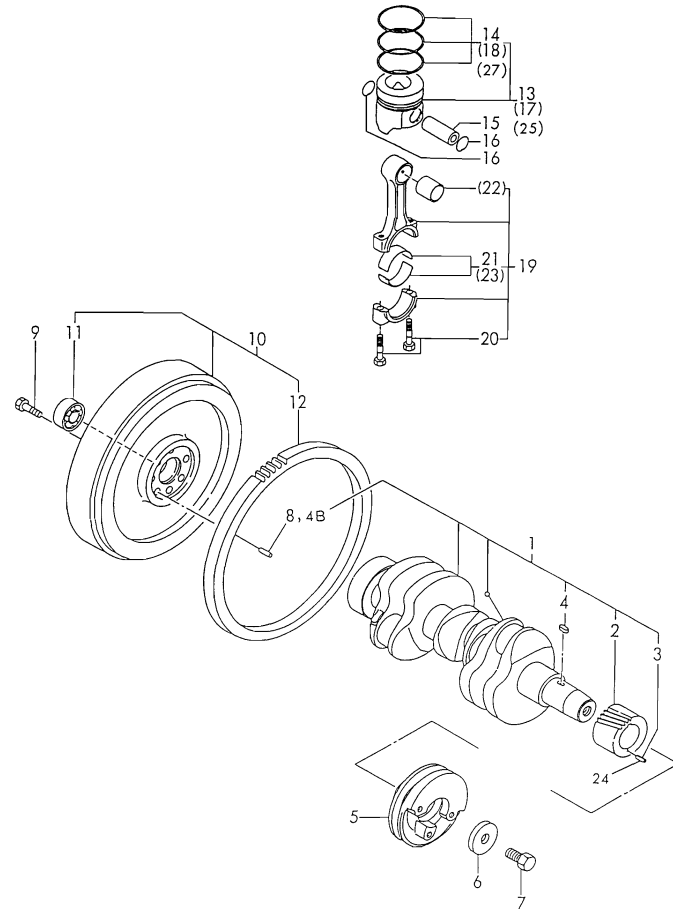
029137-18100TK



No.	Lev.	Parts No.	Description	Q'ty						I	R
				(A)	(B)	(C)	(D)	(E)	(F)		
1	1	129137-18010	TURBINE, RHB31W/G	1							
2	2	129403-18720	PROTECTOR, HEAT	1							
3	2	129403-18750	HOSE	1							
4	2	129403-18770	ROTOR ASSY, TURBO	1							
13	2	129403-18780	HOUSING ASSY, BLOWER	1							
18	2	XNB139825	HOUSING ASSY, TURBO	1							
22	2	129403-18800	HOUSING ASSY	1							
25	2	XNB139826	CONTROL ASSY	1							
30	2	XNB139815	SEAL PLATE ASSY	1							
33	2	XNB139827	OVERHAUL KIT	1							

Fig.9. CRANKSHAFT & PISTON

029189-21100
 029100-21200
 029137-21300
 029105-22100
 029150-23100



(A)=3TN84TL-RMZ

(B)=

(C)=

(D)=

(E)=

(F)=

No.	Lev.	Parts No.	Description	Q'ty						I	R
				(A)	(B)	(C)	(D)	(E)	(F)		
1	1	129189-21100	CRANKSHAFT ASSY	1							
2	2	129189-21200	GEAR, CRANKSHAFT	1							
3	2	22351-040010	PIN, SPRING 4.0X10	1							Z
(A=EXXX)											
4	2	22512-070140	KEY, 7X 14	1							
4B	2	129100-01580	PIN, M8X16	1							W
(A=*1990.)											
5	1	171340-21650	V-PULLEY	1							
6	1	129795-21661	WASHER	1							
7	1	121850-21680	BOLT	1							
8	1	129100-01580	PIN, M8X16	1							Z
(A=*1990.)											
9	1	121111-21501	BOLT, FLYWHEEL	6							
10	1	129137-21590	FLYWHEEL ASSY	1							
11	2	121120-21690	BEARING, 6202DDUC4	1							
12	2	124550-21600	GEAR, RING	1							
13	1	129105-22090	PISTON ASSY	3							
14	2	729105-22500	RING SET, PISTON	3							
15	1	129150-22300	PIN, PISTON D26 L66	3							
16	1	121100-22400	CIRCLIP	6							
17	1	729105-22910	PISTON ASSY, 0.25 OS	3							1
18	2	729105-22950	RING SET, 0.25 OS	3							1
18-1	2	729105-22951	RING SET, 0.25 OS	3							N 1
(A=EXXX)											
19	1	729150-23700	ROD ASSY, CONNECTING	3							
19-1	1	729402-23100	ROD ASSY, CONNECTING	3							N
(A=*1990.05)											
20	2	121550-23200	BOLT, CONNECTING ROD	6							
21	2	129150-23600	BEARING, CRANK PIN	3							
22	1	129100-23910	BEARING, PISTON PIN	3							2
23	1	129150-23610	BEARING, 0.25 US	3							3
24	1	22351-040010	PIN, SPRING 4.0X10	1							W
(A=EXXX)											
25	1	129105-22920	PISTON ASSY, 0.50 OS	3							W 4
(A=EXXX)											
27	2	129105-22970	RING SET, 0.50 OS	3							W 4
(A=EXXX)											

Remarks

- (1) OVER-SIZED(O.S=0.25)PART.
- (2) ONLY FOR REPAIR.
- (3) UNDER-SIZED(U.S=0.25)PART.
- (4) OVER-SIZED(O.S=0.50)PART.

Fig.10. LUB. OIL SYSTEM

(A)=3TN84TL-RMZ

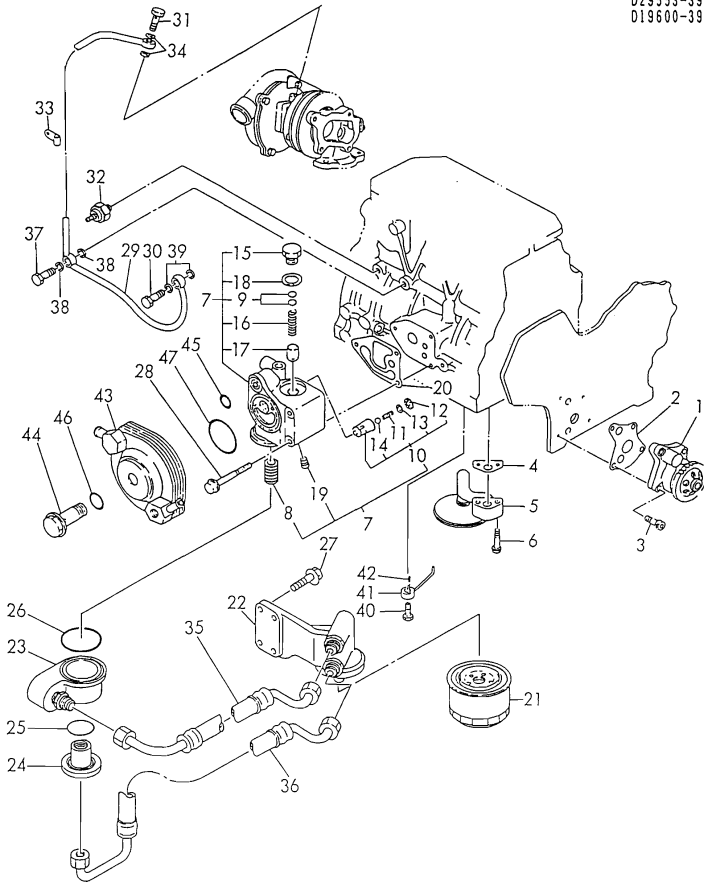
(B)=

(C)=

(D)=

(E)=

(F)=



D29189-32100
 D29122-33102
 U71353-35100
 D29137-35200
 D29137-39140
 D29553-39300
 D19600-39100

No.	Lev.	Parts No.	Description	Q'ty						I	R
				(A)	(B)	(C)	(D)	(E)	(F)		
1	1	129189-32000	PUMP ASSY, OIL	1							
2	1	129150-32020	GASKET, PUMP	1							\$
3	1	26450-060252	BOLT, M6X 25	4							
4	1	129150-35040	GASKET	1							\$
4-1	1	129150-35041	GASKET	1							N \$
(A=*1990.06)											
5	1	171353-35080	PIPE, OIL INLET	1							
6	1	26116-080352	BOLT, M8X 35 PLATED	2							
6-1	1	26106-080352	BOLT, M8X 35 PLATED	2							N
(A=*1989.)											
7	1	129103-35101	BRACKET ASSY, FILTER	1							
8	2	129100-35140	STUD	1							
9	2	121850-35200	SHIM SET	1							
10	2	129553-35500	VALVE ASSY, BYPASS	1							Z
(A=EXXX)											
11	3	129553-35520	SPRING	1							Z
(A=EXXX)											
12	3	129553-35530	RETAINER, SPRING	1							Z
(A=EXXX)											
13	3	129553-35540	SHIM	1							Z
(A=EXXX)											
14	3	24190-130001	BALL, STEEL 13/32	1							Z
(A=EXXX)											
15	2	124223-35510	RETAINER, SPRING	1							
16	2	121850-35520	SPRING	1							
17	2	121850-35531	VALVE, CONTROL	1							
18	2	23414-180000	GASKET, 18X1.0	1							
19	2	23871-020000	PLUG, R02	1							
20	1	129103-35121	GASKET	1							\$
20-1	1	129103-35122	GASKET	1							N \$
(A=*1990.06)											
21	1	129150-35150	FILTER 90X80L	1							
22	1	129137-35210	BRACKET, FILTER	1							
23	1	129137-35400	CASE ASSY	1							
24	1	129137-35441	RETAINER	1							
25	1	24321-000350	O-RING, 1AG35.0	1							
26	1	24321-000600	O-RING, 1AG60.0	1							
27	1	26106-080202	BOLT, M8X 20 PLATED	4							
28	1	26106-080752	BOLT, M8X 75 PLATED	3							
29	1	129139-39030	PIPE ASSY, OIL	1							
30	1	105010-39140	BOLT, PIPE JOINT	1							
31	1	124160-39140	BOLT, PIPE JOINT M10	1							
32	1	124160-39450	SWITCH, 0.5KG	1							
33	1	23297-080081	CLAMP, A8X 8	1							
33-1	1	124223-39900	RETAINER	1							N
(A=*1989.)											
34	1	43400-500410	SEAL WASHER 8S	2							
35	1	129137-39611	PIPE ASSY, OIL	1							
36	1	129137-39631	PIPE ASSY, OIL	1							
37	1	124550-59820	BOLT, PIPE JOINT M8	1							
38	1	23414-080000	GASKET, 8X1.0	2							

Remarks

(\$) THESE PARTS ARE SOLD BY FIG.21, REF.NO.1,1-1.

Fig.10. LUB. OIL SYSTEM

(A)=3TN84TL-RMZ

(B)=

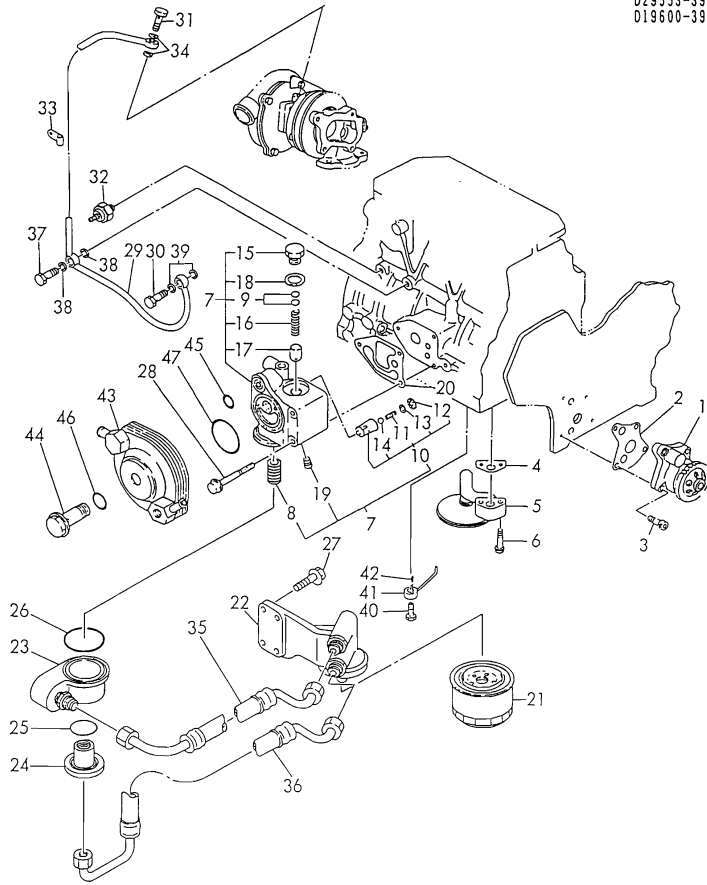
(C)=

(D)=

(E)=

(F)=

D29189-32100
 D29122-33102
 U71353-35100
 D29137-35200
 D29137-39140
 D29553-39300
 D19600-39100



No.	Lev.	Parts No.	Description	Qty						I	R
				(A)	(B)	(C)	(D)	(E)	(F)		
39	1	23414-100000	GASKET, 10X1.0	2							
40	1	129792-39410	VALVE ASSY, CHECK	3							
41	1	129553-39650	NOZZLE	3							
42	1	22351-030010	PIN, SPRING 3.0X10	3							
43	1	129103-33031	COOLER, OIL	1							
44	1	129103-33132	BOLT	1							
45	1	24311-000200	O-RING, 1AP20.0	1							\$
46	1	24311-000210	O-RING, 1AP21.0	1							\$
47	1	24321-000550	O-RING, 1AG55.0	1							\$

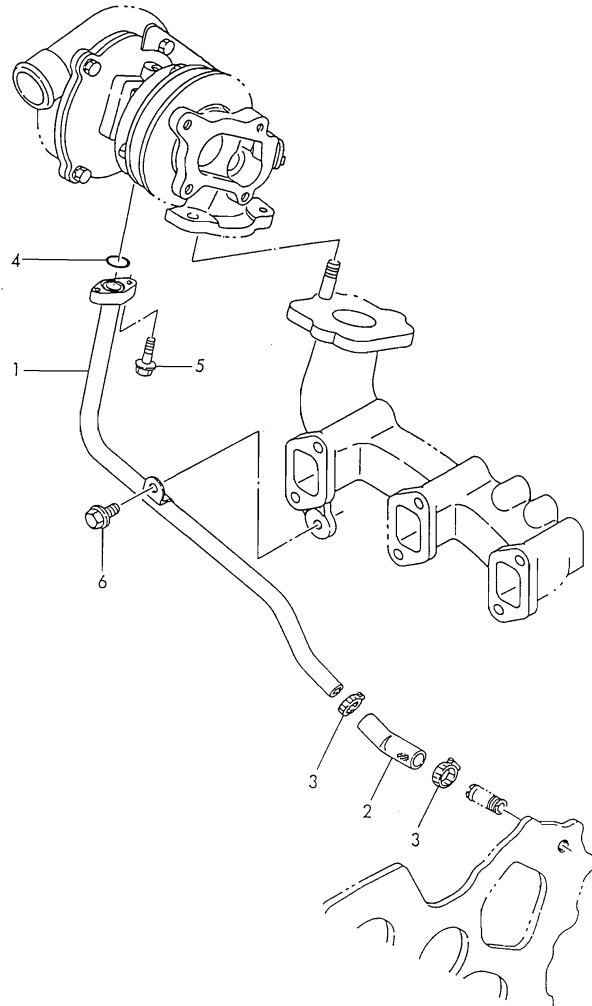
Remarks

(\$) THESE PARTS ARE SOLD BY FIG.21,
 REF.NO.1,1-1.

N:Old $\xrightarrow{\text{Yes}}$ New, Q:Old $\xrightarrow{\text{No}}$ New, R:Old $\xrightarrow{\text{Yes}}$ New, S:Old $\xrightarrow{\text{No}}$ New, W:Add, Z:Discontinued, F:Interchangeable by set, K:Qty Change

Fig.11. LUB. OIL PIPES

029139-39200

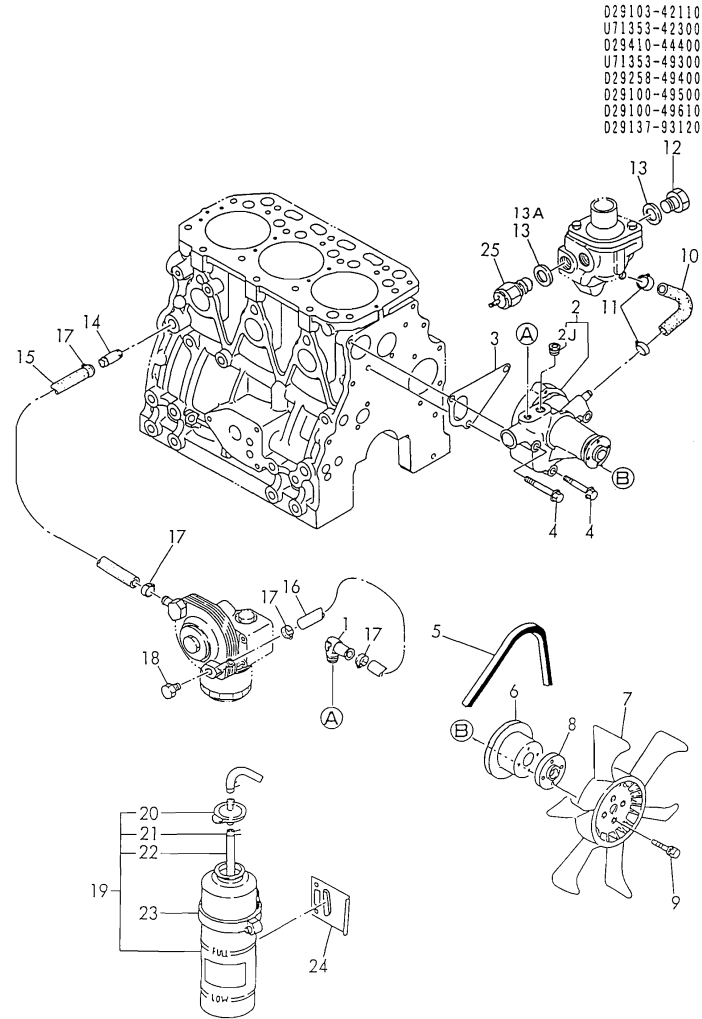


(A)=3TN84TL-RMZ
(B)=
(C)=

(D)=
(E)=
(F)=

No.	Lev.	Parts No.	Description	Q'ty						I	R
				(A)	(B)	(C)	(D)	(E)	(F)		
1	1	129139-39600	PIPE, OIL	1							
1-1	1	129139-39601	PIPE, OIL	1							N
(A=*1990.06)											
2	1	129403-39610	JOINT, RUBBER	1							
3	1	23000-022000	CLAMP, 22	2							
4	1	24314-000160	O-RING, 4CP16.0	1							
5	1	26106-060162	BOLT, M6X 16 PLATED	2							
6	1	26106-080122	BOLT, M8X 12 PLATED	1							

Fig.12. COOLING WATER SYSTEM



(A)=3TN84TL-RMZ

(B)=

(C)=

(D)=

(E)=

(F)=

No.	Lev.	Parts No.	Description	Q'ty						I	R
				(A)	(B)	(C)	(D)	(E)	(F)		
1	1	129103-49301	ELBOW, PT1/4	1							
2	1	129100-42001	PUMP ASSY, WATER	1							
2-1	1	129100-42002	PUMP ASSY, WATER	1							N
(A=*1990.06)											
2J	2	23871-030000	PLUG, R03	1							
3	1	129100-42020	GASKET, WATER PUMP	1							\$
4	1	26106-080602	BOLT, M8X 60 PLATED	3							
5	1	124732-42290	V-BELT, AX37	1							
6	1	129120-42350	V-PULLEY, 130	1							
7	1	171440-44740	FAN, COOLING D350XQF	1							
8	1	124574-44761	SPACER, FAN	1							
9	1	26014-060252	BOLT, M6X 25	4							
10	1	129100-49050	PIPE, WATER	1							
11	1	23000-016000	CLAMP, 16	2							
12	1	121450-42450	PLUG, M16	1							
13	1	124465-44950	GASKET, 16	2							
13-1	1	124465-44950	GASKET, 16	1							K
(A=EXXX)											
13A	1	124465-44950	GASKET, 16	1							W
(A=EXXX)											
14	1	129122-44480	JOINT	1							
15	1	129403-49031	PIPE, WATER	1							
16	1	129403-49050	PIPE, WATER	1							
16-1	1	129258-49040	PIPE, WATER	1							N
(A=*1990.06)											
17	1	23000-022000	CLAMP, 22	4							
18	1	171056-49120	PLUG, DRAIN	1							
19	1	124450-44510	TANK ASSY, SUB	1							
20	2	124450-44530	CAP	1							
21	2	124450-44560	RETAINER	1							
22	2	23061-070230	PIPE, 7X 230	1							
23	1	124450-44550	BAND	1							
24	1	121256-44600	BRACKET, SUB TANK	1							
25	1	121250-44901	SWITCH, 110	1							

Remarks

(\$) THESE PARTS ARE SOLD BY FIG.21,
REF.NO.1,1-1.

Fig.13. THERMOSTAT

(A)=3TN84TL-RMZ

(B)=

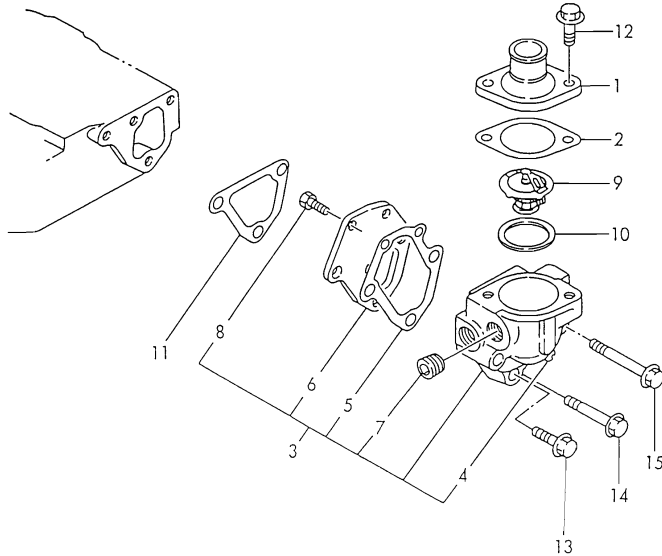
(C)=

(D)=

(E)=

(F)=

029100-49210



No.	Lev.	Parts No.	Description	Q'ty						I	R
				(A)	(B)	(C)	(D)	(E)	(F)		
1	1	129350-49530	COVER, THERMOSTAT	1							
2	1	129795-49550	GASKET	1							\$
2-1	1	129795-49551	GASKET	1						N	\$
(A=*1990.06)											
3	1	129100-49800	CASE ASSY,THERMOSTAT	1							
4	2	124770-11770	JOINT, PIPE PT1/8	1							
5	2	129100-49820	GASKET	1							\$
6	2	129100-49830	COVER, THERMOSTAT	1							
7	2	23871-030000	PLUG, R03	1							
8	2	26116-060162	BOLT, M6X 16 PLATED	2							
9	1	129155-49800	THERMOSTAT, 71	1							
10	1	129150-49810	GASKET, THERMOSTAT	1							\$
10-1	1	129150-49811	GASKET, THERMOSTAT	1						N	\$
(A=*1990.06)											
11	1	129100-49840	GASKET	1							\$
12	1	26106-080202	BOLT, M8X 20 PLATED	2							
13	1	26106-080252	BOLT, M8X 25 PLATED	1							
14	1	26106-080502	BOLT, M8X 50 PLATED	1							
15	1	26106-080602	BOLT, M8X 60 PLATED	1							

Remarks
 (\$) THESE PARTS ARE SOLD BY FIG.21,
 REF.NO.1,1-1.

Fig.14. FUEL INJECTION PUMP

(A)=3TN84TL-RMZ

(B)=

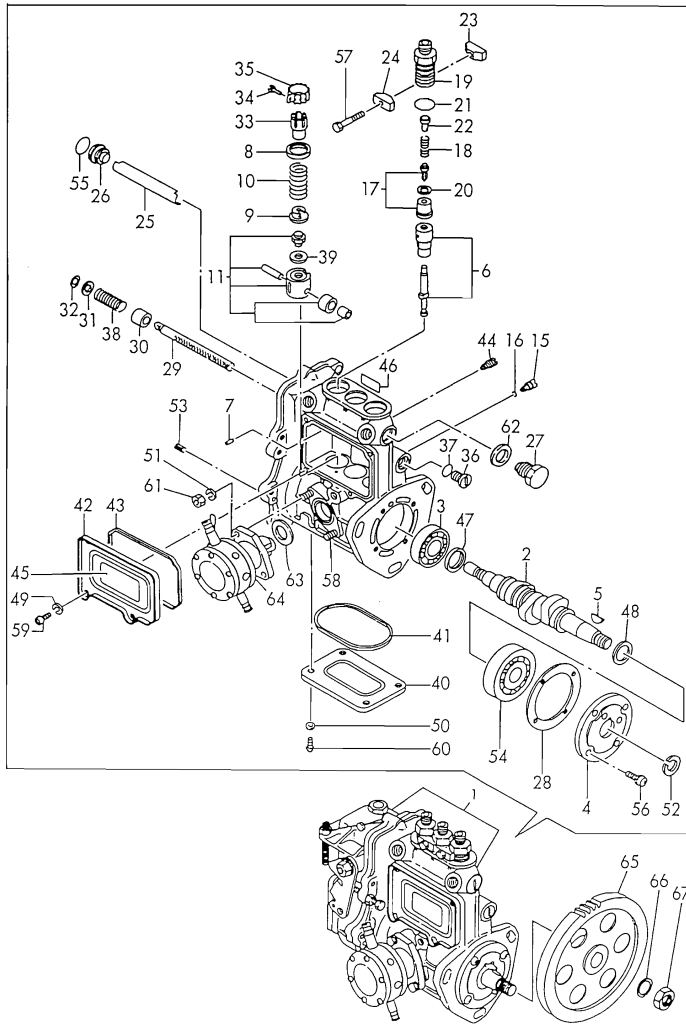
(C)=

(D)=

(E)=

(F)=

029189-25200
729137-51381



No.	Lev.	Parts No.	Description	Q'ty						I	R
				(A)	(B)	(C)	(D)	(E)	(F)		
1	1	729137-51380	PUMP ASSY, INJECTION	1							1
1-1	1	729137-51381	PUMP ASSY, INJECTION	1							N 1
(A=EXXX)											
2	2	119810-51040	CAMSHAFT	1							
3	2	129155-51050	BEARING, 17BM001D	1							
4	2	129155-51060	SUPPORT, CAMSHAFT	1							
5	2	122710-51090	KEY	1							
6	2	129470-51101	PLUNGER ASSY	3							
7	2	129155-51140	PIN	3							
8	2	174307-51170	RETAINER, SPRING A	3							
9	2	129155-51180	RETAINER, SPRING	3							
10	2	124950-51190	SPRING, PLUNGER	3							
11	2	129155-51200	TAPPET ASSY	3							
15	2	129155-51270	STOPPER, TAPPET	3							
16	2	129155-51280	O-RING, S6	3							
17	2	129100-51300	VALVE ASSY, DELIVERY	3							
18	2	129155-51320	SPRING, DELIVERY	3							
19	2	129155-51340	RETAINER	3							
20	2	124550-51350	GASKET, DELIVERY	3							
21	2	124550-51370	O-RING	3							
22	2	129155-51370	STOPPER, VALVE	3							
23	2	129155-51380	STOPPER	2							
24	2	129155-51390	STOPPER	2							
25	2	129155-51400	DEFLECTOR	1							
26	2	129155-51410	BOLT	1							
27	2	129155-51420	PLUG, M16	1							
28	2	129155-51450	SHIM SET, ADJUSTING	1							
29	2	129155-51500	RACK, CONTROL	1							
30	2	129155-51521	BUSH, RACK	1							
31	2	129155-51530	SPACER	1							
32	2	129155-51540	CIRCLIP	1							
33	2	129155-51550	PINION, CONTROL	3							
34	2	122117-51560	SCREW	3							
35	2	174307-51560	PINION	3							
36	2	129155-51570	PLUG, M12	1							
37	2	129155-51580	O-RING	1							
38	2	129155-51591	SPRING, RACK	1							
39	2	129155-51600	SHIM SET, ADJUSTING	3							
40	2	129155-51700	COVER	1							
41	2	129155-51710	GASKET	1							
42	2	129155-51750	COVER	1							
43	2	129155-51760	GASKET	1							
44	2	129155-51790	STOOPER, RACK	1							
45	2	129156-51910	LABEL, CAUTION	1							
46	2	129156-51920	LABEL (729156-51300)	1							Z
(A=*1991.)											
47	2	129155-51930	SPACER, T=3.25	1							
48	2	129155-51940	SPACER, T=1.5	1							
49	2	22217-050000	WASHER, SPRING 5	4							Z
(A=EXXX)											
50	2	22217-050000	WASHER, SPRING 5	4							Z

Remarks

(1) GOVERNOR(FIG.NO.17)IS INCORPORATED IN THIS INJECTION PUMP (REF.NO.1,1-1).

Fig.14. FUEL INJECTION PUMP

(A)=3TN84TL-RMZ

(B)=

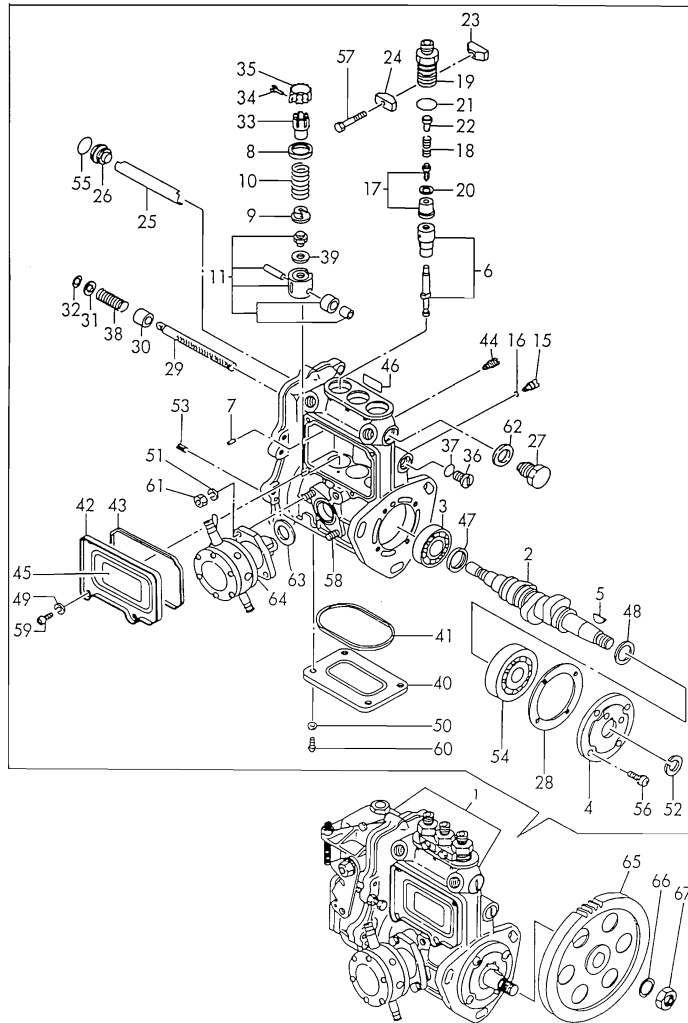
(C)=

(D)=

(E)=

(F)=

029189-25200
729137-51381



No.	Lev.	Parts No.	Description	Q'ty						I	R
				(A)	(B)	(C)	(D)	(E)	(F)		
(A=EXXX)											
51	2	22217-060000	WASHER, SPRING 6	2							
52	2	22287-120000	WASHER, 12	1							
53	2	22351-050010	PIN, SPRING 5.0X10	2							
54	2	24101-063034	BEARING, BALL 6303	1							
55	2	24341-000160	O-RING, 1AS16.0	1							
56	2	26022-060162	SCREW, M6X16	4							
57	2	26116-050302	BOLT, M5X 30 PLATED	2							
58	2	129155-51020	STUD	2							
59	2	26557-050102	SCREW, M5X10	4							
59-1	2	26022-050102	SCREW, M5X10	4							N
(A=EXXX)											
60	2	26557-050102	SCREW, M5X10	4							
60-1	2	26022-050102	SCREW, M5X10	4							N
(A=EXXX)											
61	2	26716-060002	NUT, M6	2							
62	2	43400-500490	SEAL WASHER 16S	1							
63	2	129155-52050	GASKET	1							
64	2	129100-52100	PUMP ASSY, FUEL FEED	1							
65	1	129189-25900	GEAR, PUMP	1							
66	1	22217-120000	WASHER, SPRING 12	1							
67	1	26716-120002	NUT, M12	1							

Remarks

(1) GOVERNOR(FIG.NO.17)IS INCORPORATED IN THIS INJECTION PUMP (REF.NO.1,1-1).

Fig.15. FUEL INJECTION VALVE

(A)=3TN84TL-RMZ

(B)=

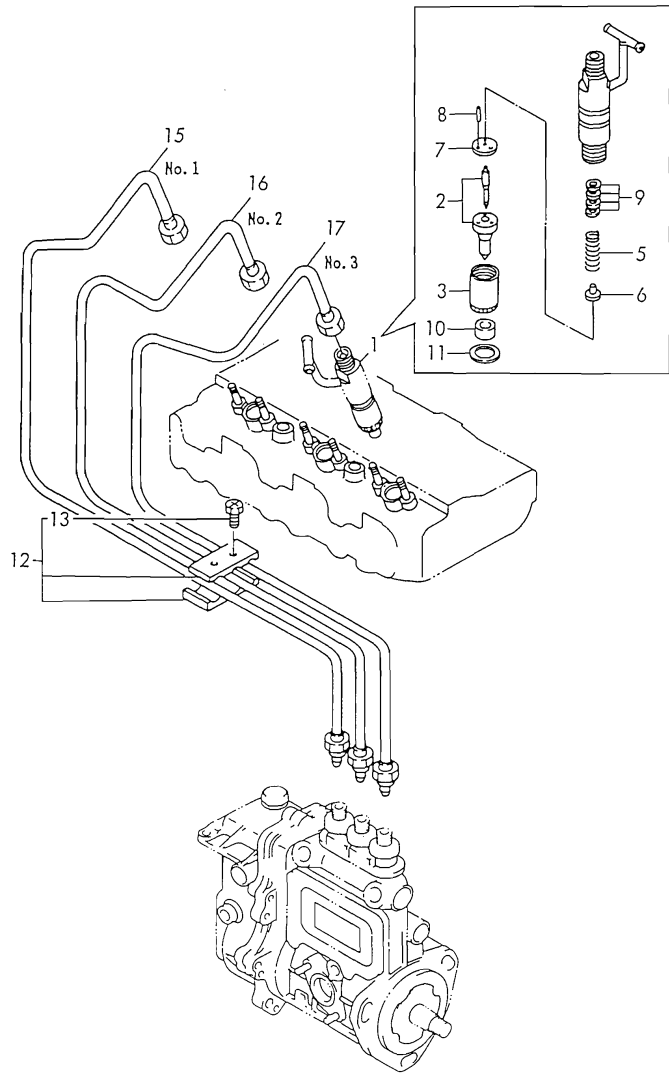
(C)=

(D)=

(E)=

(F)=

029137-53200
029100-59110



No.	Lev.	Parts No.	Description	Q'ty						I	R
				(A)	(B)	(C)	(D)	(E)	(F)		
1	1	729137-53200	VALVE ASSY,INJECTION	3							
2	2	129503-53050	VALVE ASSY,INJECTION	3							
3	2	114250-53080	NUT, NOZZLE D16.95	3							
5	2	114250-53120	SPRING, NOZZLE	3							
6	2	114250-53130	SEAT, SPRING	3							
7	2	114250-53140	PLATE	3							
8	2	114250-53210	PIN	6							
9	2	114250-53400	SHIM SET	3							
10	2	119625-11870	PROTECTOR, NOZZLE	3							
11	2	129137-11880	SEAT, NOZZLE	3							
12	1	129150-59120	RETAINER, PIPE	1							
13	2	129150-59130	BOLT, M4X12	2							
15	1	129100-59910	PIPE ASSY, INJECTION	1							
16	1	129100-59920	PIPE ASSY, INJECTION	1							
17	1	129100-59930	PIPE ASSY, INJECTION	1							

Fig.16. FUEL PIPES

(A)=3TN84TL-RMZ

(B)=

(C)=

(D)=

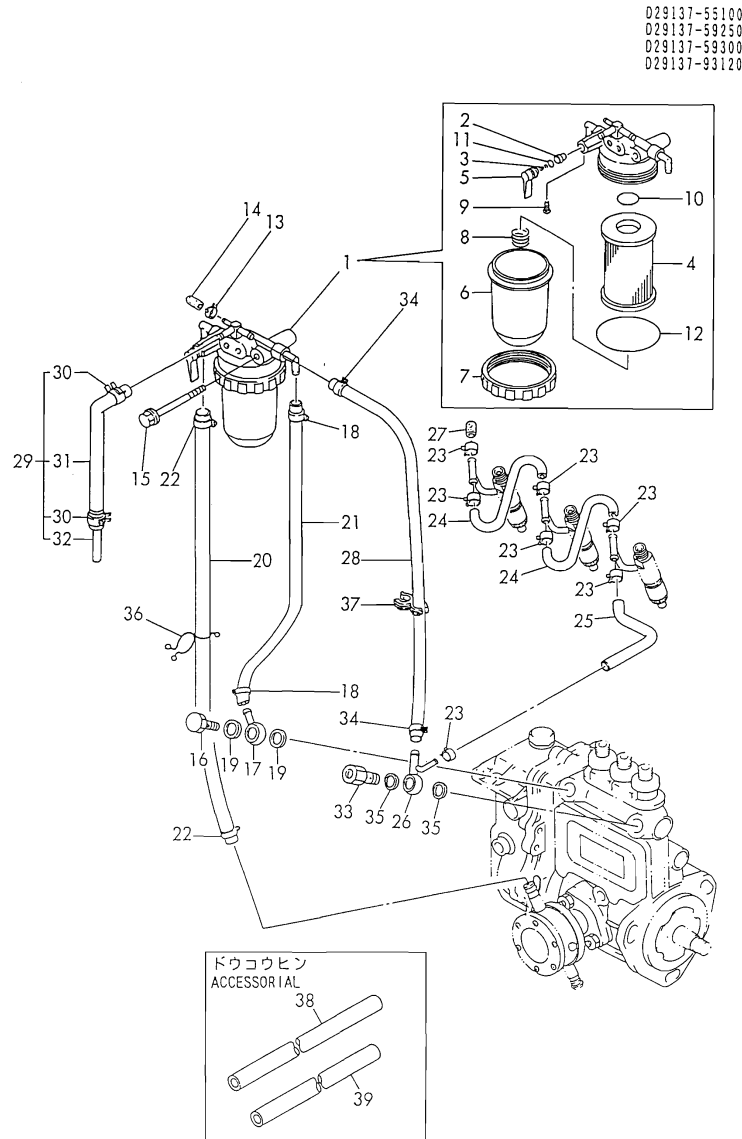
(E)=

(F)=

Qty

(A) (B) (C) (D) (E) (F)

I R



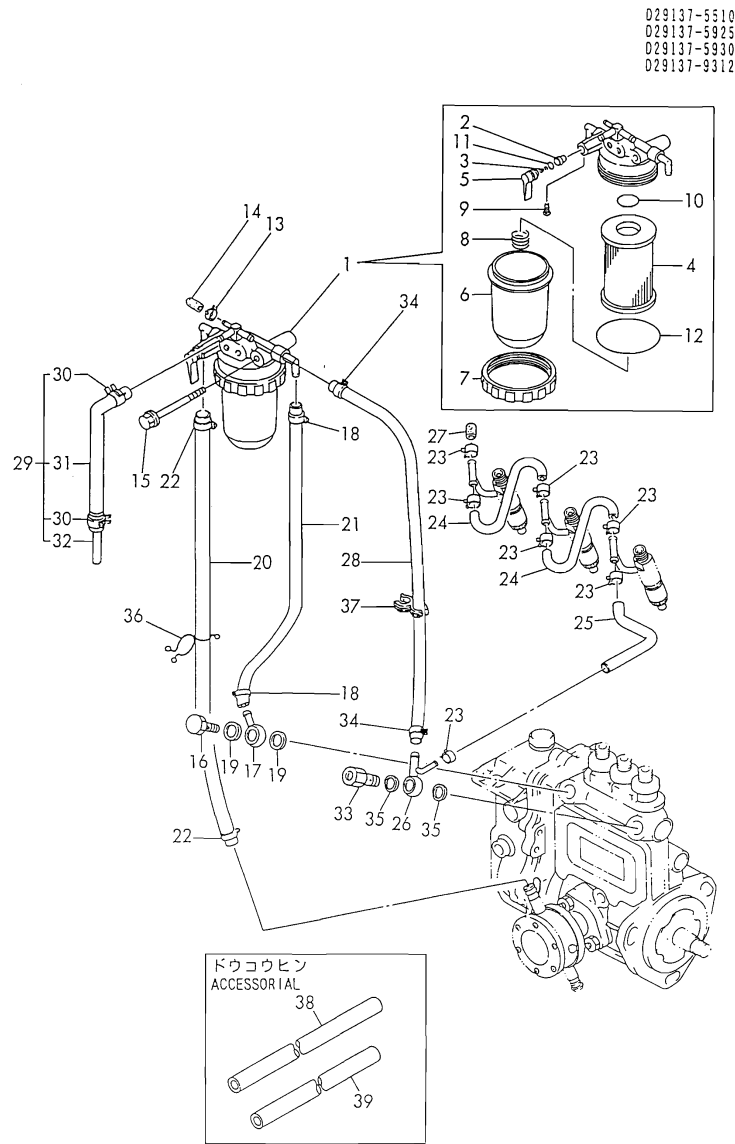
No.	Lev.	Parts No.	Description	(A)	(B)	(C)	(D)	(E)	(F)	I	R
1	1	129100-55621	FILTER ASSY, FUEL	1							
2	2	104200-55321	VALVE, TAPER	1							
3	2	104200-55330	SPRING, VALVE	1							
4	2	129100-55650	ELEMENT	1							
5	2	129100-55670	LEVER	1							
6	2	129100-55680	CUP, STRAINER	1							
7	2	129100-55690	RING, RETAINING	1							
8	2	129100-55700	SPRING	1							
9	2	104200-55750	SCREW, M4	1							
10	2	24311-000160	O-RING, 1AP16.0	1							
11	2	24311-240100	O-RING, 1AP10A	1							
12	2	24321-000650	O-RING, 1AG65.0	1							
13	1	124066-59100	CLIP, HOSE 8	1							
14	1	129150-59580	CAP	1							
15	1	26014-080702	BOLT, M8X 70	1							
15-1	1	129137-55850	BOLT, M8X85	1							N
		(A=*1989.)									
15-2	1	26014-080852	BOLT, M8X 85	1							N
		(A=*1989.)									
16	1	103854-39140	BOLT, PIPE JOINT	1							
17	1	101304-59020	JOINT, PIPE 12	1							
18	1	23000-013000	CLAMP, 13	2							
18-1	1	124766-59050	CLIP, HOSE 12	2							N
		(A=*1991.06)									
19	1	104200-59170	GASKET, 12	2							
20	1	129555-59510	PIPE, D13/7.5X180	1							
21	1	129255-59580	PIPE, FUEL	1							
21-1	1	105025-59530	PIPE, FUEL D13X400	1							N
		(A=*1990.12)									
22	1	23000-013000	CLAMP, 13	2							
22-1	1	124766-59050	CLIP, HOSE 12	2							N
		(A=*1991.06)									
23	1	124066-59100	CLIP, HOSE 8	7							
24	1	121250-59550	PIPE, FUEL D8X120	2							
25	1	119840-59560	PIPE, FUEL RETURN	1							
26	1	119840-59570	JOINT	1							
27	1	129150-59580	CAP	1							
28	1	129255-59580	PIPE, FUEL	1							
28-1	1	105025-59750	PIPE, FUEL	1							N
		(A=*1990.12)									
29	1	119840-59601	BEND	1							
30	2	124766-59050	CLIP, HOSE 12	2							
31	2	119840-59611	BEND	1							
32	2	119840-59621	JOINT	1							
33	1	129100-59951	VALVE ASSY, CHECK	1							
34	1	23000-013000	CLAMP, 13	2							
34-1	1	124766-59050	CLIP, HOSE 12	2							N
		(A=*1991.06)									
35	1	23414-120000	GASKET, 12X1.0	2							
36	1	129137-59400	CLAMP, HOSE 14.5X22	1							
37	1	121855-59111	CLAMP, PIPE 610	1							

Remarks

(1) ACCESSORIAL.

Fig.16. FUEL PIPES

(A)=3TN84TL-RMZ (D)=
 (B)= (E)=
 (C)= (F)=



029137-55100
 029137-59250
 029137-59300
 029137-93120

No.	Lev.	Parts No.	Description	Q'ty						I	R	
				(A)	(B)	(C)	(D)	(E)	(F)			
38	1	121236-59090	PIPE, FUEL D12X800 (A=EXXX)	2							W	1
39	1	121522-59100	PIPE, FUEL D12X500 (A=EXXX)	1							W	1

Remarks
 (1) ACCESSORIAL.

Fig.17. GOVERNOR

(A)=3TN84TL-RMZ

(B)=

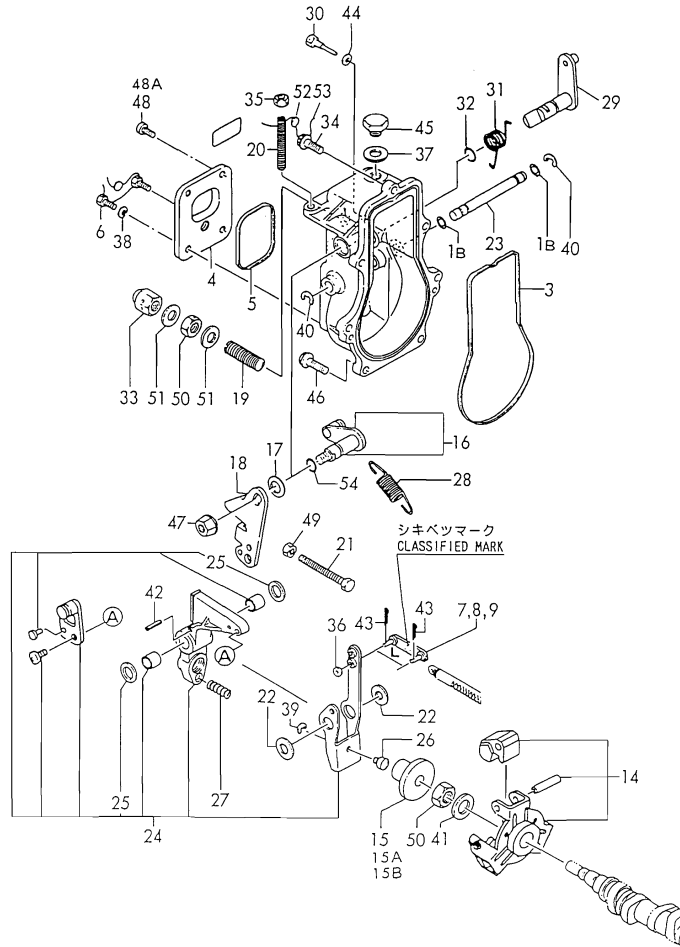
(C)=

(D)=

(E)=

(F)=

729137-51381
029428-66400



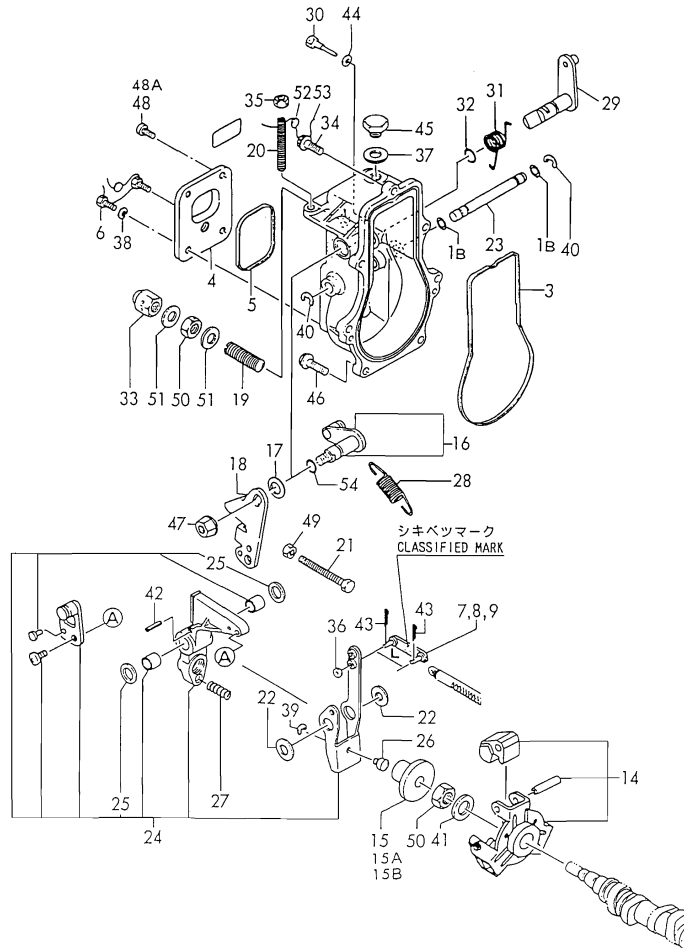
No.	Lev.	Parts No.	Description	Q'ty						I	R
				(A)	(B)	(C)	(D)	(E)	(F)		
1B	2	129155-51280	O-RING, S6	2							
3	2	129155-61050	GASKET	1							
4	2	129155-61060	COVER, GOVERNOR CASE	1							
5	2	129155-61070	GASKET	1							
6	2	129155-61090	BOLT	1							Z
(A=*1989.)											
7	2	129155-61120	LINK, L=30 MARK 0	1							1
8	2	129155-61130	LINK, L=31 MARK 1	1							1
9	2	129155-61140	LINK, L=30.5 MARK 05	1							1
14	2	129155-61201	WEIGHT ASSY,GOVERNOR	1							
15	2	129155-61341	SLEEVE	1							
15A	2	129155-61350	SLEEVE, L=24.9	1							W
(A=*1990.01)											
15B	2	129155-61360	SLEEVE, L=25.2	1							W
(A=*1990.01)											
16	2	129100-61400	SHAFT ASSY	1							
17	2	129155-61430	SPACER	1							
18	2	129100-61440	LEVER, CONTROL	1							
19	2	129155-61470	BOLT, CONTROL	1							
20	2	129155-61450	BOLT, LIMITER	1							
21	2	129155-61460	BOLT, IDLE	1							
22	2	129155-61480	SPACER ASSY	2							
23	2	129155-61490	SHAFT	1							
24	2	129500-61500	LEVER ASSY, GOVERNOR	1							
24-1	2	129500-61501	LEVER ASSY, GOVERNOR	1							N
(A=*1992.03)											
25	3	174307-51700	SHIM SET	2							
26	2	129155-61540	SHIFTER	1							
27	2	129100-61650	SPRING, CONTROLLER	1							
28	2	171353-61710	SPRING, GOVERNOR	1							
29	2	129155-61801	LEVER, STOP	1							
29-1	2	129155-61802	LEVER, STOP	1							N
(A=E02281)											
29-2	2	129255-61802	LEVER, STOP	1							N
(A=*1990.01)											
30	2	129155-61810	PIN	1							
31	2	129155-61820	SPRING, RETURN	1							
31-1	2	129100-61821	SPRING, RETURN	1							N
(A=*1990.01)											
32	2	129155-61830	O-RING, S10	1							
32-1	2	24311-240100	O-RING, 1AP10A	1							N
(A=*1990.01)											
33	2	129100-61930	NUT, CAP	1							
33-1	2	26687-120002	NUT, CAP M12	1							R
(A=*1989.)											
34	2	129155-61950	BOLT	1							
35	2	124550-66370	NUT, M6	1							
36	2	22117-040000	WASHER, 4	1							
37	2	22190-100000	WASHER, SEAL 10	1							
37-1	2	43400-500430	SEAL WASHER 10S	1							R
(A=*1989.)											

Remarks

(1) SELECTIVE PARTS : CERTAIN THE CLASSIFICATION MARK, THEN PLACE YOUR ORDER.(ILLUSTRATION)

Fig.17. GOVERNOR

729137-51381
029428-66400



(A)=3TN84TL-RMZ

(B)=

(C)=

(D)=

(E)=

(F)=

No.	Lev.	Parts No.	Description	Q'ty						I	R
				(A)	(B)	(C)	(D)	(E)	(F)		
38	2	22217-050000 (A=*1989.)	WASHER, SPRING 5	1							Z
39	2	22272-000040	RING, E- 4	1							
40	2	22272-000060	RING, E- 6	2							
41	2	22287-120000	WASHER, 12	1							
42	2	22351-030016	PIN, SPRING 3.0X16	1							
43	2	22360-040000	PIN, SNAP 4	2							
43-1	2	22372-040000 (A=*1991.)	PIN, SNAP 4	2							R
44	2	23414-050000	GASKET, 5X1.0	1							
44-1	2	43400-500390 (A=*1989.)	SEAL WASHER 6S	1							N
45	2	23887-100002	PLUG, 10	1							
46	2	26106-060202	BOLT, M6X 20 PLATED	6							
47	2	26366-080002	NUT, M8	1							
48	2	26022-050102	SCREW, M5X10	3							
48-1	2	26022-050102 (A=*1989.)	SCREW, M5X10	4							K
48-2	2	26022-050102 (A=*1992.03)	SCREW, M5X10	2							K
48A	2	26023-050102 (A=*1992.03)	SCREW, M5X10	2							W
49	2	26756-060002	NUT, LOCK M6	1							
50	2	26776-120002	NUT, LOCK M12	2							
51	2	43400-500450	SEAL WASHER 12S	2							
52	2	135210-61090	LEAD	1							
53	2	22451-060000	WIRE, 0.6	1							
54	2	24311-000080	O-RING, 1AP8.0	1							
54-1	2	129155-61830 (A=*1990.01)	O-RING, S10	1							N

Remarks

(1) SELECTIVE PARTS : CERTAIN THE CLASSIFICATION MARK, THEN PLACE YOUR ORDER.(ILLUSTRATION)

Fig.18. ENGINE STOPPING DEVICE

(A)=3TN84TL-RMZ

(B)=

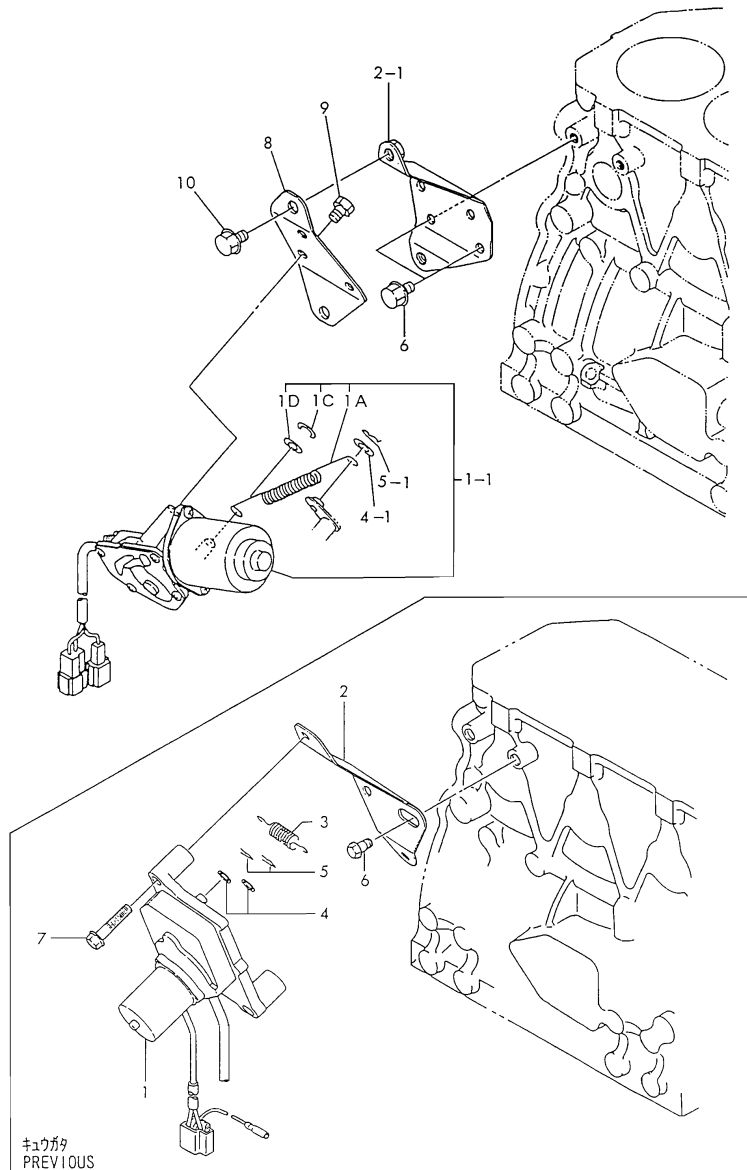
(C)=

(D)=

(E)=

(F)=

029107-66500



No.	Lev.	Parts No.	Description	Q'ty						I	R
				(A)	(B)	(C)	(D)	(E)	(F)		
1	1	129150-66800	MOTOR, STOP	1							
1-1	1	129107-66791	MOTOR ASSY, STOP	1							S
		(A=*1990.)									
1A	2	129107-66830	SPRING, STOP MOTOR	1							W
		(A=*1990.)									
1C	2	129566-66880	RING, SNAP	1							W
		(A=*1990.)									
1D	2	129566-66890	WASHER	1							W
		(A=*1990.)									
2	1	129155-66810	BRACKET, STOP MOTOR	1							
2-1	1	129107-66810	BRACKET, STOP MOTOR	1							S
		(A=*1990.)									
3	1	129155-66820	SPRING	1							Z
		(A=*1990.)									
4	1	22117-080000	WASHER, 8	2							
4-1	1	22117-080000	WASHER, 8	1							K
		(A=*1990.)									
5	1	22360-080000	SNAP PIN 8	2							
5-1	1	22360-080000	SNAP PIN 8	1							K
		(A=*1990.)									
6	1	26106-080122	BOLT, M8X 12 PLATED	2							
7	1	26106-080402	BOLT, M8X 40 PLATED	2							Z
		(A=*1990.)									
8	1	129107-66820	BRACKET, STOP MOTOR	1							W
		(A=*1990.)									
9	1	26116-050102	BOLT, M5X 10 PLATED	3							W
		(A=*1990.)									
10	1	26106-080122	BOLT, M8X 12 PLATED	2							W
		(A=*1990.)									

Fig.19. STARTING MORTOR(COMPONENT PART

(A)=3TN84TL-RMZ

(B)=

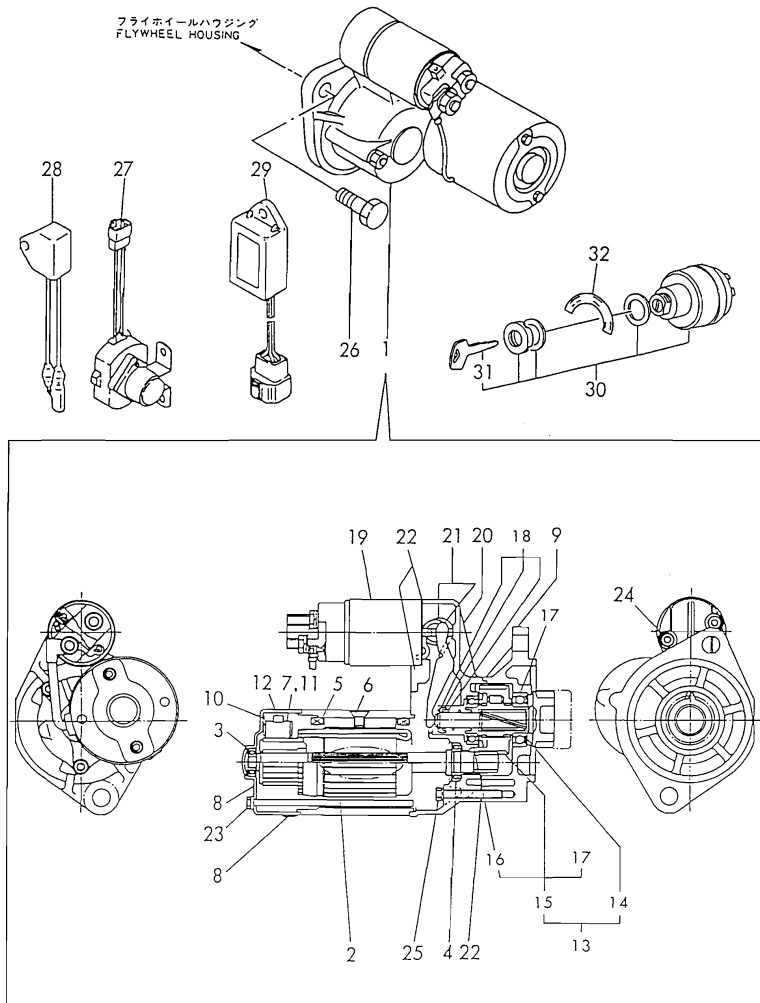
(C)=

(D)=

(E)=

(F)=

D29137-77100
D29137-93120



No.	Lev.	Parts No.	Description	Q'ty						I	R
				(A)	(B)	(C)	(D)	(E)	(F)		
1	1	129137-77010	STARTER, S13 124	1							
2	2	X21309100	ARMATURE ASSY	1							
3	3	X211415502	BEARING, BALL	1							
4	3	X211425502	BEARING, BALL	1							
5	2	X213012001	COIL ASSY, FIELD	1							
6	3	X21143215	SCREW, CORE	4							
7	3	X213023112	BRUSH, +	2							
8	2	X22403300	COVER ASSY, REAR	1							
9	2	X211476504	HOUSING ASSY, GEAR	1							
10	2	X213073021	HOLDER ASSY, BRUSH	1							
11	3	X213023112	BRUSH, +	2							
12	3	X21306313	SPRING, BRUSH	4							
13	2	X211455505	PINION CLUTCH ASSY	1							
14	3	X211495009	SHAFT	1							
15	3	X211425505	CLUTCH ASSY	1							
16	4	X211435505	SHAFT ASSY	1							
17	4	X211445502	BALL BEARING	1							
18	2	X211429006	STOPPER SET	1							
19	2	X213047007	SWITCH ASSY,MAGNETIC	1							
20	2	X213054001	BRACKET ASSY, CENTER	1							
21	2	X211446012	LEVER, SHIFT	1							
22	2	X21306910	COVER KIT	1							
23	2	X21309820	BOLT, THROUGH	2							
24	2	X21145866	BOLT	3							
25	2	X21142867	BOLT	2							
26	1	26116-120252	BOLT, M12X 25 PLATED	2							
27	1	171051-77100	RELAY, SAFETY	1							
28	1	160970-77350	RECTIFIER, ZR2117	1							
29	1	128300-77920	TIMER	1							
30	1	121400-91251	SWITCH, STARTER	1							
31	2	121400-91271	KEY, SWITCH	1							
32	1	171085-91610	LABEL	1							

Fig.20. GENERATOR

(A)=3TN84TL-RMZ

(B)=

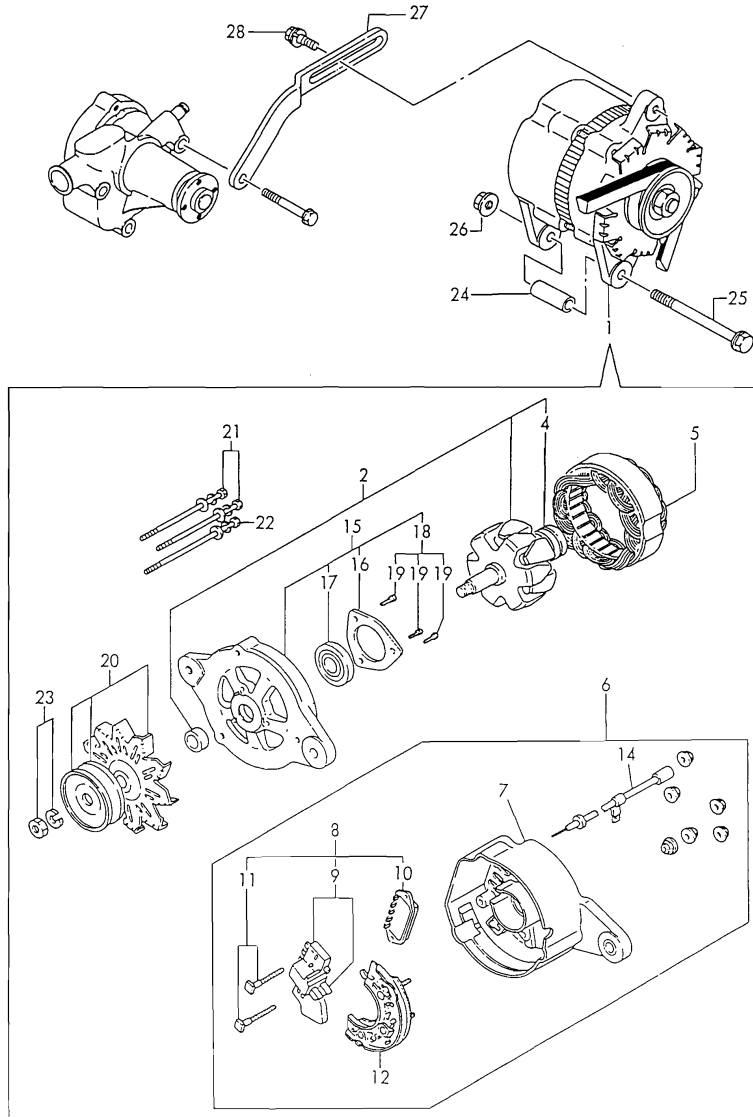
(C)=

(D)=

(E)=

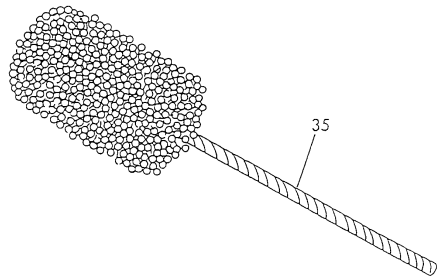
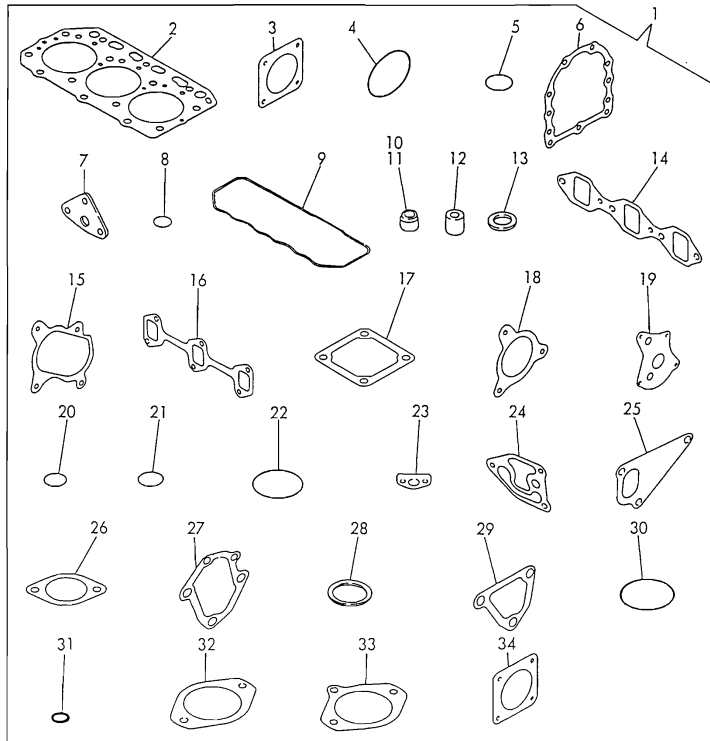
(F)=

029100-77210
029100-77310



No.	Lev.	Parts No.	Description	Q'ty						I	R
				(A)	(B)	(C)	(D)	(E)	(F)		
1	1	124080-77201	GENERATOR, LR135-91	1							
2	2	124080-77300	ROTOR ASSY	1							
4	3	124080-77490	BALL BEARING	1							
5	2	124080-77320	STATOR ASSY	1							
6	2	124080-77330	COVER ASSY	1							
7	3	124080-77340	COVER, REAR	1							
8	3	124080-77350	BRUSH REGULATOR(N/CO	1							
9	4	124080-77360	BRUSH ASSY	2							W
		(A=EXXX)									
10	4	124080-77390	REGULATOR ASSY	1							
11	4	124080-77520	BOLT M5	2							
12	3	124080-77400	DIODE ASSY	1							
14	3	124080-77530	WIRE ASSY, LEAD	1							
15	2	124080-77420	COVER ASSY	1							
16	3	124080-77430	RETAINER, BEARING	1							
17	3	124080-77480	BEARING, 6202DDU	1							
18	3	124080-77500	SCREW KIT	1							
19	4	124080-77510	SCREW 4X12	3							
20	2	124080-77440	PULLEY ASSY	1							
21	2	124080-77450	BOLT, THROUGH	2							
22	2	124080-77460	BOLT, THROUGH	1							
23	2	124080-77470	NUT ASSY, PULLEY	1							
24	1	129150-77340	SPACER	1							
25	1	26106-081202	BOLT, M8X120 PLATED	1							
26	1	26366-080002	NUT, M8	1							
27	1	129100-77330	ADJUSTER	1							
28	1	26014-080252	BOLT, M8X 25	1							

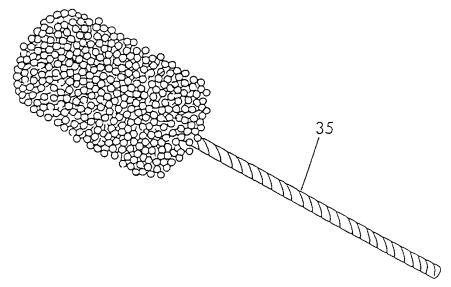
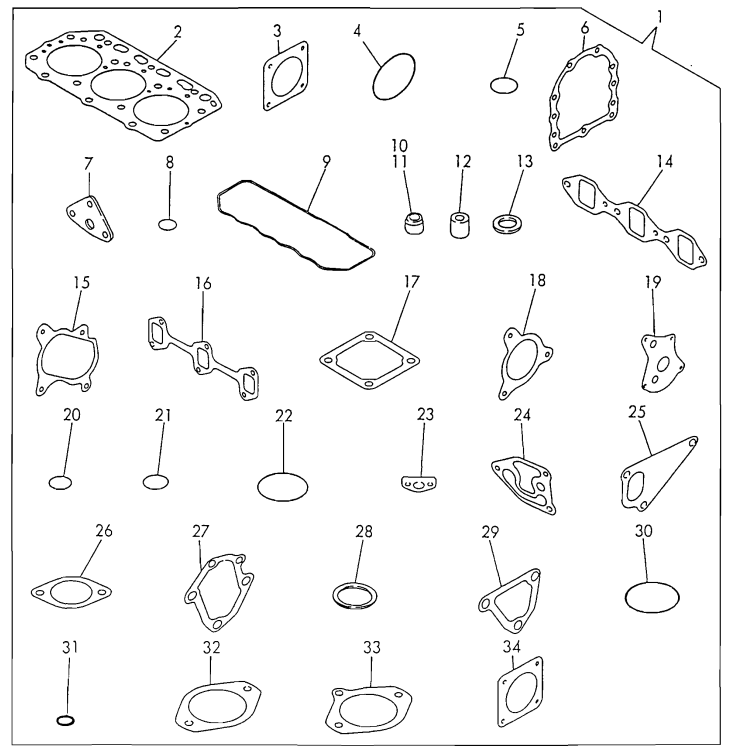
Fig.21. GASKET SET & TOOL(OPTIONAL)



No.	Lev.	Parts No.	Description	Q'ty						I	R
				(A)	(B)	(C)	(D)	(E)	(F)		
1	1	729189-92601	GASKET SET	1							1
1-1	1	729189-92602	GASKET SET	1							N 1
(A=EXXX)											
2	2	129157-01332	GASKET, HEAD	1							
3	2	124240-01882	GASKET	2							
3-1	2	124240-01883	GASKET	2							N
(A=*1990.01)											
4	2	121850-51960	O-RING	1							
5	2	24311-000320	O-RING, 1AP32.0	1							
6	2	129150-01660	GASKET	1							Z
(A=E02710)											
7	2	171058-01640	GASKET	1							
8	2	24311-000320	O-RING, 1AP32.0	1							
9	2	129150-11310	GASKET, BONNET	1							
10	2	121400-11340	SEAL, VALVE STEM	3							
11	2	124460-11340	SEAL, VALVE STEM	3							
12	2	119625-11870	PROTECTOR, NOZZLE	3							Z
(A=EXXX)											
13	2	129137-11880	SEAT, NOZZLE	3							Z
(A=EXXX)											
14	2	129150-12110	GASKET, MANIFOLD	1							
14-1	2	129150-12111	GASKET, MANIFOLD	1							N
(A=*1990.06)											
15	2	129403-18090	GASKET	1							
16	2	129150-13110	GASKET	1							
17	2	129150-77510	GASKET	1							
17-1	2	129150-77511	GASKET	1							N
(A=*1990.06)											
18	2	129477-18100	GASKET	1							
19	2	129150-32020	GASKET, PUMP	1							
20	2	24311-000200	O-RING, 1AP20.0	1							
21	2	24311-000210	O-RING, 1AP21.0	1							
22	2	24321-000550	O-RING, 1AG55.0	1							
23	2	129150-35040	GASKET	1							
23-1	2	129150-35041	GASKET	1							N
(A=*1990.06)											
24	2	129103-35121	GASKET	1							
24-1	2	129103-35122	GASKET	1							N
(A=*1990.06)											
25	2	129100-42020	GASKET, WATER PUMP	1							
26	2	129795-49550	GASKET	1							
26-1	2	129795-49551	GASKET	1							N
(A=*1990.06)											
27	2	129100-49820	GASKET	1							
28	2	129150-49810	GASKET, THERMOSTAT	1							
28-1	2	129150-49811	GASKET, THERMOSTAT	1							N
(A=*1990.06)											
29	2	129100-49840	GASKET	1							
30	2	24321-000650	O-RING, 1AG65.0	1							
30-1	2	24321-000600	O-RING, 1AG60.0	1							N
(A=*1989.)											

Remarks
(1)OPTIONAL PART.

Fig.21. GASKET SET & TOOL(OPTIONAL)



No.	Lev.	Parts No.	Description	Q'ty						I	R
				(A)	(B)	(C)	(D)	(E)	(F)		
31	2	24311-000160	O-RING, 1AP16.0	2							
32	2	121023-26060	GASKET	1							
32-1	2	121023-26061	GASKET	1							N
			(A=*1990.06)								
33	2	171353-26080	GASKET	1							
34	2	129400-13200	GASKET, SILENCER	2							
34-1	2	129400-13201	GASKET, SILENCER	2							N
			(A=*1990.06)								
35	1	129400-92420	HONE	1							1

Remarks
(1)OPTIONAL PART.

Parts No. Index

Parts No.	Fig. No.	Ref. No.
101304-59020	16	17
103338-11190	4	13
103854-39140	16	16
104200-55321	16	2
104200-55330	16	3
104200-55750	16	9
104200-59170	16	19
105010-39140	10	30
105025-59530	16	21 -1
105025-59750	16	28 -1
114250-53080	15	3
114250-53120	15	5
114250-53130	15	6
114250-53140	15	7
114250-53210	15	8
114250-53400	15	9
119625-11870	4	37
	15	10
	21	12
119625-11900	4	30
119810-51040	14	2
119840-59560	16	25
119840-59570	16	26
119840-59601	16	29
119840-59611	16	31
119840-59621	16	32
120130-11860	4	35
121023-26060	2	25
	21	32
121023-26061	2	25 -1
	21	32 -1
121023-26070	2	26
121100-22400	9	16
121111-21501	9	9
121120-21690	9	11
121236-59090	16	38
121250-44901	12	25
121250-59550	16	24
121256-44600	12	24
121400-11340	4	14
	21	10
121400-91251	19	30
121400-91271	19	31
121450-01560	2	3
121450-42450	12	12
121522-59100	16	39
121550-23200	9	20
121750-59890	4	38
121850-11860	4	4
121850-21680	9	7

Parts No.	Fig. No.	Ref. No.
121850-35200	10	9
121850-35520	10	16
121850-35531	10	17
121850-51960	2	10
	21	4
121855-59111	16	37
122117-51560	14	34
122710-51090	14	5
123372-03150	7	15
124066-59100	16	13
		23
124080-77201	20	1
124080-77300	20	2
124080-77320	20	5
124080-77330	20	6
124080-77340	20	7
124080-77350	20	8
124080-77360	20	9
124080-77390	20	10
124080-77400	20	12
124080-77420	20	15
124080-77430	20	16
124080-77440	20	20
124080-77450	20	21
124080-77460	20	22
124080-77470	20	23
124080-77480	20	17
124080-77490	20	4
124080-77500	20	18
124080-77510	20	19
124080-77520	20	11
124080-77530	20	14
124160-01751	2	4
	4	52
124160-01910	1	2
124160-11360	4	50
124160-39140	10	31
124160-39450	10	32
124223-35510	10	15
124223-39900	10	33 -1
124240-01871	2	6
		36
124240-01882	2	7
		37
	21	3
124240-01883	2	7 -1
		37 -1
	21	3 -1
124450-44510	12	19
124450-44530	12	20

Parts No.	Fig. No.	Ref. No.
124450-44550	12	23
124450-44560	12	21
124460-11340	4	15
	21	11
124465-44950	12	13
		13 -1
		13 A
124550-21600	9	12
124550-51350	14	20
124550-51370	14	21
124550-59820	10	37
124550-66370	17	35
124574-44761	12	8
124732-42290	12	5
124736-07900	4	33
124766-59050	16	18 -1
		22 -1
		30
		34 -1
124770-11770	13	4
124950-51190	14	10
128300-77920	19	29
129100-01580	3	1
		5
	9	4 B
		8
129100-01640	3	6
129100-01730	3	15
129100-11100	4	9
129100-11130	4	11
129100-11350	4	39 -1
129100-23910	9	22
129100-35140	10	8
129100-42001	12	2
129100-42002	12	2 -1
129100-42020	12	3
	21	25
129100-49050	12	10
129100-49800	13	3
129100-49820	13	5
	21	27
129100-49830	13	6
129100-49840	13	11
	21	29
129100-51300	14	17
129100-52100	14	64
129100-55621	16	1
129100-55650	16	4
129100-55670	16	5
129100-55680	16	6

Parts No.	Fig. No.	Ref. No.
129100-55690	16	7
129100-55700	16	8
129100-59910	15	15
129100-59920	15	16
129100-59930	15	17
129100-59951	16	33
129100-61400	17	16
129100-61440	17	18
129100-61650	17	27
129100-61821	17	31 -1
129100-61930	17	33
129100-77330	20	27
129103-33031	10	43
129103-33132	10	44
129103-35101	10	7
129103-35121	10	20
	21	24
129103-35122	10	20 -1
	21	24 -1
129103-49301	12	1
129105-22090	9	13
129105-22920	9	25
129105-22970	9	27
129107-66791	18	1 -1
129107-66810	18	2 -1
129107-66820	18	8
129107-66830	18	1 A
129120-42350	12	6
129120-77501	5	4
129122-12060	5	8
129122-12100	5	1
129122-12211	5	12
129122-44480	2	9
	12	14
129137-01600	3	2
129137-01770	3	11 -1
129137-11880	4	29
	15	11
	21	13
129137-13300	7	1
129137-13301	7	1 -1
129137-13350	7	2
129137-13410	7	3
129137-13510	7	13
129137-18010	7	4
	8	1
129137-21590	9	10
129137-26000	2	21
129137-26200	2	23
129137-34800	3	20

Parts No. Index

Parts No.	Fig. No.	Ref. No.
129137-34810	3	21
129137-34811	3	21 -1
129137-35210	10	22
129137-35400	10	23
129137-35441	10	24
129137-39611	10	35
129137-39631	10	36
129137-55850	16	15 -1
129137-59400	16	36
129137-77010	19	1
129139-12050	5	7
129139-12200	5	11
129139-13100	5	14
129139-39030	10	29
129139-39600	11	1
129139-39601	11	1 -1
129150-01200	1	16
129150-01660	3	8
	21	6
129150-02020	1	10
129150-02450	1	14
	6	2 A
129150-02800	1	11
129150-02870	1	18
129150-02930	1	12
129150-02940	1	19
129150-03020	4	43
129150-03070	4	45
129150-03080	4	44
129150-03100	2	40
	4	49
129150-11230	4	28
129150-11280	4	23
129150-11290	4	24
129150-11310	4	42
	21	9
129150-11370	4	16
129150-11750	4	27
129150-11810	4	36
129150-12110	5	2
	21	14
129150-12111	5	2 -1
	21	14 -1
129150-13110	5	15
	21	16
129150-14200	6	3
129150-14400	6	4
129150-22300	9	15
129150-23600	9	21
129150-23610	9	23

Parts No.	Fig. No.	Ref. No.
129150-32020	10	2
	21	19
129150-35040	10	4
	21	23
129150-35041	10	4 -1
	21	23 -1
129150-35150	10	21
129150-49810	13	10
	21	28
129150-49811	13	10 -1
	21	28 -1
129150-59120	15	12
129150-59130	15	13
129150-59580	16	14
		27
129150-66800	18	1
129150-77340	20	24
129150-77510	5	5
	21	17
129150-77511	5	5 -1
	21	17 -1
129155-11241	4	19
129155-11260	4	21
129155-11270	4	22
129155-49800	13	9
129155-51020	14	58
129155-51050	14	3
129155-51060	14	4
129155-51140	14	7
129155-51180	14	9
129155-51200	14	11
129155-51270	14	15
129155-51280	14	16
	17	1 B
129155-51320	14	18
129155-51340	14	19
129155-51370	14	22
129155-51380	14	23
129155-51390	14	24
129155-51400	14	25
129155-51410	14	26
129155-51420	14	27
129155-51450	14	28
129155-51500	14	29
129155-51521	14	30
129155-51530	14	31
129155-51540	14	32
129155-51550	14	33
129155-51570	14	36
129155-51580	14	37

Parts No.	Fig. No.	Ref. No.
129155-51591	14	38
129155-51600	14	39
129155-51700	14	40
129155-51710	14	41
129155-51750	14	42
129155-51760	14	43
129155-51790	14	44
129155-51930	14	47
129155-51940	14	48
129155-52050	14	63
129155-61050	17	3
129155-61060	17	4
129155-61070	17	5
129155-61090	17	6
129155-61120	17	7
129155-61130	17	8
129155-61140	17	9
129155-61201	17	14
129155-61341	17	15
129155-61350	17	15 A
129155-61360	17	15 B
129155-61430	17	17
129155-61450	17	20
129155-61460	17	21
129155-61470	17	19
129155-61480	17	22
129155-61490	17	23
129155-61540	17	26
129155-61801	17	29
129155-61802	17	29 -1
129155-61810	17	30
129155-61820	17	31
129155-61830	17	32
		54 -1
129155-61950	17	34
129155-66810	18	2
129155-66820	18	3
129156-51910	14	45
129156-51920	14	46
129157-01332	1	17
	21	2
129189-01520	2	2
129189-02800	2	32
129189-02990	2	31
129189-14100	6	2
129189-14580	6	1
129189-21100	9	1
129189-21200	9	2
129189-25050	6	6
129189-25060	6	8

Parts No.	Fig. No.	Ref. No.
129189-25100	6	7
129189-25900	14	65
129189-32000	10	1
129189-91980	2	34
129255-59580	16	21
		28
129255-61802	17	29 -2
129258-49040	12	16 -1
129350-49530	13	1
129400-13200	7	14
	21	34
129400-13201	7	14 -1
	21	34 -1
129400-92420	21	35
129403-18090	7	5
	21	15
129403-18720	8	2
129403-18750	8	3
129403-18770	8	4
129403-18780	8	13
129403-18800	8	22
129403-39610	11	2
129403-49031	12	15
129403-49050	12	16
129470-11080	4	2
129470-11090	4	3
129470-51101	14	6
129477-18100	7	6
	21	18
129500-61500	17	24
129500-61501	17	24 -1
129503-53050	15	2
129553-35500	10	10
129553-35520	10	11
129553-35530	10	12
129553-35540	10	13
129553-39650	10	41
129555-59510	16	20
129566-66880	18	1 C
129566-66890	18	1 D
129792-39410	10	40
129795-01780	3	7
129795-01800	2	1 B
		5
129795-01950	2	8
129795-02411	1	13
129795-11120	4	10
129795-11180	4	12
129795-21661	9	6
129795-49550	13	2

Parts No. Index

Parts No.	Fig. No.	Ref. No.
129795-49550	21	26
129795-49551	13	2 -1
	21	26 -1
135210-61090	17	52
160970-77350	19	28
171051-01921	1	3
171051-77100	19	27
171056-49120	12	18
171058-01630	3	12
171058-01640	3	13
	21	7
171085-91610	19	32
171301-01640	3	25
171340-21650	9	5
171350-03090	4	48
171353-01590	2	1
171353-26050	2	22
171353-26080	2	27
	21	33
171353-35080	10	5
171353-61710	17	28
171440-44740	12	7
174307-51170	14	8
174307-51560	14	35
174307-51700	17	25
194990-22050	5	19
	7	7
		12
22117-040000	17	36
22117-080000	18	4
		4 -1
22190-100000	17	37
22217-050000	14	49
		50
	17	38
22217-060000	14	51
22217-120000	14	66
22272-000040	17	39
22272-000060	17	40
22287-120000	14	52
	17	41
22351-030010	10	42
22351-030016	17	42
22351-040010	9	3
		24
22351-050010	14	53
22351-060012	4	17
22360-040000	17	43
22360-080000	18	5
		5 -1

Parts No.	Fig. No.	Ref. No.
22372-040000	17	43 -1
22451-060000	17	53
22512-070140	6	2 B
		5
	9	4
23000-013000	16	18
		22
		34
23000-016000	12	11
23000-022000	11	3
	12	17
23000-041000	5	10 -1
23000-060000	5	9
23010-040000	5	10
23061-070230	12	22
23297-080081	10	33
23414-050000	17	44
23414-080000	1	8
	10	38
23414-100000	10	39
23414-120000	16	35
23414-180000	10	18
23871-010000	1	4
23871-020000	10	19
23871-030000	4	5
	12	2 J
	13	7
23887-100002	17	45
24101-060064	2	24
24101-063030	2	33
24101-063034	14	54
24190-130001	10	14
24311-000080	17	54
24311-000120	4	51
24311-000150	3	22
24311-000160	2	11
	16	10
	21	31
24311-000200	10	45
	21	20
24311-000210	10	46
	21	21
24311-000320	2	12
	4	53
	21	5
		8
24311-240100	16	11
	17	32 -1
24314-000160	11	4
24321-000350	10	25

Parts No.	Fig. No.	Ref. No.
24321-000550	10	47
	21	22
24321-000600	2	35 -1
	10	26
	21	30 -1
24321-000650	2	35
	16	12
	21	30
24341-000160	14	55
24341-000240	3	26 -1
24341-000250	3	26
24341-000500	4	46
26014-060252	12	9
26014-080252	20	28
26014-080702	16	15
26014-080852	16	15 -2
26022-050102	14	59 -1
		60 -1
	17	48
		48 -1
		48 -2
26022-060162	14	56
26023-050102	17	48 A
26106-060162	11	5
26106-060202	3	23
	17	46
26106-080122	1	9
	2	13
		38 -1
	7	9
	11	6
	18	6
		10
26106-080142	4	34
26106-080162	1	15
	2	14
		15
		38
	3	14
	4	47
	5	13
26106-080202	10	27
	13	12
26106-080222	7	8
		8 -1
26106-080252	3	16
	4	31
	5	3
	13	13
26106-080302	3	9

Parts No.	Fig. No.	Ref. No.
26106-080352	3	10
	5	6
	10	6 -1
26106-080402	18	7
26106-080452	2	16
	3	17
26106-080502	4	32
	6	9
	13	14
26106-080552	2	17
26106-080602	3	18
	12	4
	13	15
26106-080752	10	28
26106-080802	5	16
26106-080852	2	18
26106-081002	3	19
26106-081202	20	25
26106-100452	2	28
26116-050102	18	9
26116-050302	14	57
26116-060162	13	8
26116-080352	10	6
26116-120252	19	26
26206-100252	3	3
26206-100302	3	4
26216-060202	4	6
26216-080222	5	17
	7	10
		11
26216-080802	5	18
26226-080182	4	20
26366-060002	4	18
26366-080002	2	19
	17	47
	20	26
26450-060252	10	3
26450-080282	2	29
26557-050102	14	59
		60
26687-120002	17	33 -1
26716-060002	14	61
26716-120002	14	67
26756-060002	17	49
26776-120002	17	50
27225-100140	3	24
27231-500000	1	5
27241-120000	1	6
27241-220000	4	7
27241-300000	1	7

Parts No. Index

Parts No.	Fig. No.	Ref. No.
27241-40000	4	8
27310-080001	4	13 -1
43400-500390	17	44 -1
43400-500410	2	20
		30
		39
	10	34
43400-500430	17	37 -1
43400-500450	17	51
43400-500490	14	62
729105-22500	9	14
729105-22910	9	17
729105-22950	9	18
729105-22951	9	18 -1
729106-01560	1	1
729132-11520	4	39
729137-01540	3	11
729137-51380	14	1
729137-51381	14	1 -1
729137-53200	15	1
729150-11650	4	26
729150-23700	9	19
729189-92601	21	1
729189-92602	21	1 -1
729402-11650	4	26 -1
729402-23100	9	19 -1
771364-11701	4	1
X211415502	19	3
X211425502	19	4
X211425505	19	15
X21142867	19	25
X211429006	19	18
X21143215	19	6
X211435505	19	16
X211445502	19	17
X211446012	19	21
X211455505	19	13
X21145866	19	24
X211476504	19	9
X211495009	19	14
X213012001	19	5
X213023112	19	7
		11
X213047007	19	19
X213054001	19	20
X21306313	19	12
X21306910	19	22
X213073021	19	10
X21309100	19	2
X21309820	19	23

Parts No.	Fig. No.	Ref. No.
X22403300	19	8
XNB139815	8	30
XNB139825	8	18
XNB139826	8	25
XNB139827	8	33

Parts No.	Fig. No.	Ref. No.
-----------	----------	----------

Parts No.	Fig. No.	Ref. No.
-----------	----------	----------