

OCD10-M29505EN

# PREFACE

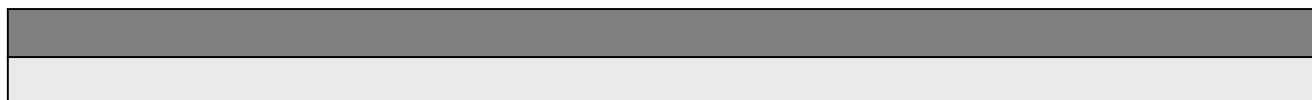
1. This Parts Catalog is the 1st edition of 2TN66L-UTBA Diesel Engine for KOBELCO.

Pub. No. : 000Y00D2955

Published : June, 1992

2. Model name

Engine model	Vehicle		Vehicle made by
	Products	Model name	
2TN66L-UTBA	MINI EXCAVATOR	—	KOBELCO



## Directions for the Parts Catalog.

1. This Parts Catalog shows both standard and optional parts.
2. Parts may change without prior notice.
3. The following is an example of the Parts Catalog format.

REF.	LEV.	PARTS NO.	DESCRIPTION	Q'TY						I	R
				(A)	(B)	(C)	(D)	(E)	(F)		
1	1	729595-51390	FUEL INJECTION PUMP	1	1	1	1	1			1
1-1	1	729595-51391	FUEL INJECTION PUMP	1	1	1	1	1		N	1
		(A=E00185) (B=E00200)									
3	2	26022-060162	SCREW M 6X 16	9	9	9	9	9			
3-1	2	26022-060162	SCREW M 6X 16	4	4	4	4	4		K	
		(A=E00156) (B=E00156) (C=E00156) (D=E00156) (E=E00156)									
4	2	129470-51040	CAMSHAFT	1	1	1	1	1			
5	2	122710-51050	BEARING, ROLLER	2	2	2	2	2			
6	2	129470-51060	RETAINER	1	1	1	1	1			

Remarks
(1) BOOST COMPEMSATOR TYPE. OPTIONAL PART, TO E00155,(4JH-DT, 4JH-DTZ

### ① Ref. No.

The Ref. No. listed may not be in accordance with the illustration Ref. No.

(Ex.) Illustration No.

List Ref No.

1

1

(Before change)

1-1

(After change)

For interchangeable symbols N, R and K, illustrations for new parts may be abbreviated.

### ② Lev. (Level)

Level indication

The numbers below indicate the level of relativity towards the main part.

1 ----- Main parts (Assembly parts)

2 ----- Sub component included in " 1 ".

3 ----- Sub component included in " 2 ".

Note) Parts that are not for sale are partially illustrated but not listed.

### ③ Interchangeability Symbol

When a part change takes place, one of the following interchangeability symbols is indicated beside the part.

Symbol	Interchangeability	Contents note
N	Old $\begin{matrix} \leftarrow \text{Yes} \\ \text{No} \rightarrow \end{matrix}$ New	New Part is interchangeable for Old Part but Old Part is not interchangeable for New Part.
Q	Old $\begin{matrix} \leftarrow \text{No} \\ \text{Yes} \rightarrow \end{matrix}$ New	New Part is not interchangeable for Old Part but Old Part is interchangeable for New Part.
R	Old $\begin{matrix} \leftarrow \text{Yes} \\ \text{Yes} \rightarrow \end{matrix}$ New	New/ Old Parts are both interchangeable.
S	Old $\begin{matrix} \leftarrow \text{No} \\ \text{No} \rightarrow \end{matrix}$ New	New/ Old Parts are both not interchangeable.
W		Part newly added.
Z		Part discontinued.
F		Not interchangeable by a single part but interchangeable together with related parts.
K		Changes only for used parts quantities.

### ④ Effective Machine No.

When a part changes, the effective Machine No. will be indicated in the (A)-(F) column.

Product Symbol	Product No.	Product Symbol	Product No.
C	Clutch No. Compressor No.	F	Machine No. (Agricultural Equip.)
D	Drive No.	M	Machine No.
E	Engine No.		

Note 1) A date may follow the symbol. (Ex.) 1996.01

Note 2) "XXXXX" and "ZZZZZ" are for parts that could not be predicted or for engine models that could not be identified.

Note 3) (A=E00185) is the E (Engine Serial Number) for the column (A) model (in this case 4JH-DT) after the parts design change.

### ⑤ Remarks

Figures or alphabets (symbols) are entered in the remarks column.

The comments (remarks) on parts that are indicated at the bottom of the illustration are the same symbols as those stated above.

# Contents

OCD10-M29505

Fig. No. Fig. Name

Fig. No. Fig. Name

2TN66L-UTBA

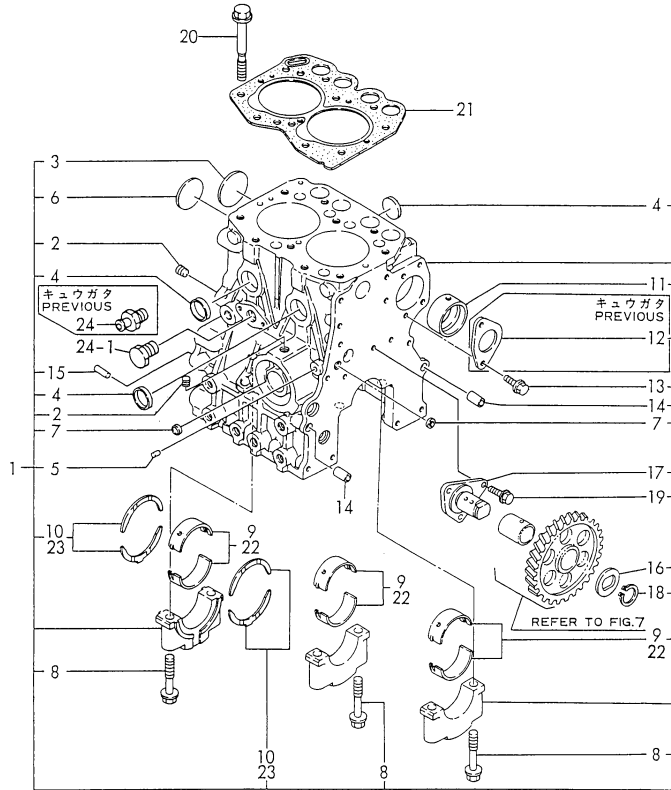
1. CYLINDER BLOCK
2. GEAR HOUSING
3. FLYWHEEL HOUSING & OIL SUMP
4. CYLINDER HEAD & BONNET
5. SUCTION MANIFOLD & AIR CLEANER
6. EXHAUST MANIFOLD & SILENCER
7. CAMSHAFT & DRIVE GEAR
8. CRANKSHAFT & PISTON
9. LUB. OIL SYSTEM
10. COOLING WATER SYSTEM
11. FUEL INJECTION PUMP
12. FUEL LIEN
13. GOVERNOR
14. STARTING MOTOR
15. GENELATOR
16. ELECTRIC PART
17. GASKET SET(OPTIONAL) & TOOL

Fig.1. CYLINDER BLOCK

(A)=2TN66L-UTBA  
(B)=  
(C)=

(D)=  
(E)=  
(F)=

SPEC. CODE  
D19305-01100  
D19305-02100  
D19260-02210  
D19640-49300



No.	Lev.	Parts No.	Description	Q'ty						I	R
				(A)	(B)	(C)	(D)	(E)	(F)		
1	1	719385-01560	BLOCK ASSY, CYLINDER	1							
2	3	124060-01050	PLUG, PT1/8	2							
3	3	105311-01090	PLUG, 30	1							
3-1	3	27241-300000	PLUG 30	1							N
		(A=EXXX)									
4	3	119285-01990	PLUG, 25	3							
4-1	3	27241-250000	PLUG, 25	3							N
		(A=EXXX)									
5	3	27221-060100	PLUG, 6X10	1							
6	3	27231-400000	PLUG 40	1							
7	3	27241-100000	PLUG, 10	2							
8	2	119260-02020	BOLT, METAL CAP	6							
9	2	119260-02800	BEARING, MAIN	3							
10	2	119260-02930	BEARING, THRUST	2							
11	2	119260-02410	BUSH, CAMSHAFT	1							
12	2	119620-02450	BEARING, THRUST	1							Z
		(A=EXXX)									
13	2	26106-060122	BOLT, M6X 12 PLATED	2							
14	2	119660-01911	PIPE, KNOCK	4							
15	2	129100-01580	PIN, M8X16	2							
16	2	119660-25022	RETAINER	1							
17	2	119660-25052	SHAFT, IDLE	1							
18	2	22242-000200	RING, 20	1							
19	2	26102-060122	BOLT, TO26106-060122	3							
19-1	2	26106-060122	BOLT, M6X 12 PLATED	3							N
		(A=EXXX)									
20	1	119260-01200	BOLT, HEAD	10							
21	1	119305-01340	GASKET, HEAD	1							A
22	1	719260-02870	BEARING, 0.25 US	3							1
23	1	119260-02880	BEARING, 0.50 US	3							1
24	1	121550-49111	JOINT, PT1/4	1							
24-1	1	171056-49120	PLUG, DRAIN	1							N
		(A=EXXX)									

Remarks

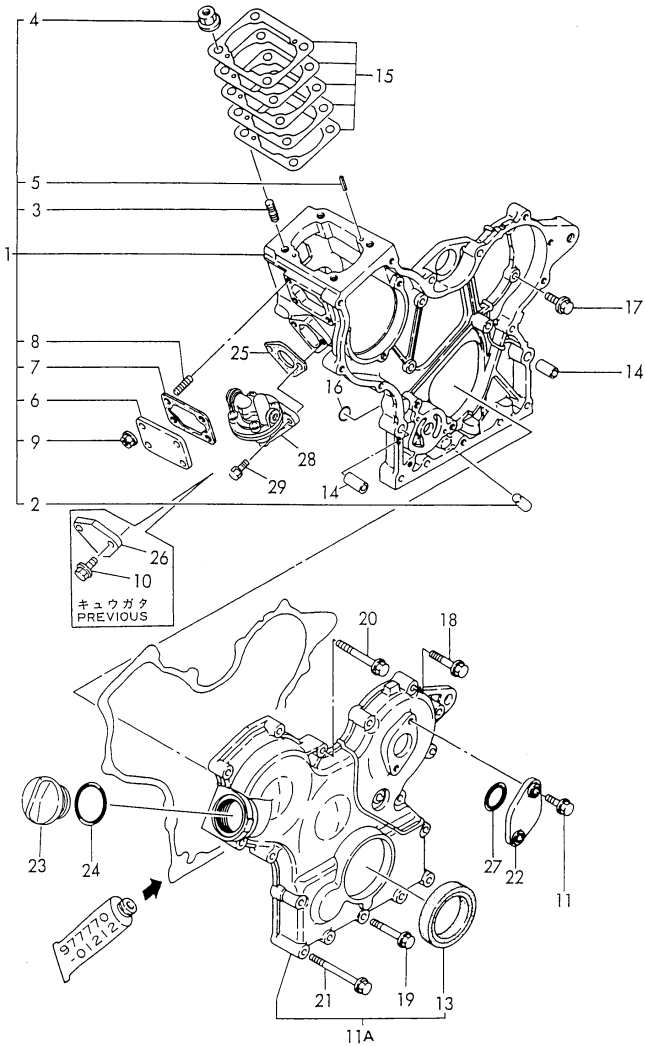
(1) UNDER-SIZED(U.S=0.25)PART.  
(A) THIS PART IS ALSO SOLD BY GASKET SET(FIG.17.REF.NO.6-2,P/# 719385-92602).

Fig.2. GEAR HOUSING

(A)=2TN66L-UTBA  
(B)=  
(C)=

(D)=  
(E)=  
(F)=

SPEC. CODE  
D19305-01200  
D19600-01320  
D19600-01800



No.	Lev.	Parts No.	Description	Q'ty						I	R
				(A)	(B)	(C)	(D)	(E)	(F)		
1	1	719305-01600	CASE ASSY, GEAR	1							
2	2	119260-01510	PLUG	1							
3	2	121450-01560	STUD, M8X22	4							
4	2	194990-22050	NUT, M8	4							
5	2	22351-040010	PIN, SPRING 4.0X10	2							
6	2	119660-01551	COVER	1							
7	2	119660-01561	GASKET	1							
7-1	2	119660-01562	GASKET	1							N A
(A=E00982)											
8	2	119660-01570	STUD, M6X12	4							
9	2	26366-060002	NUT, M6	4							
10	1	26106-060162	BOLT, M6X 16 PLATED	2							Z
(A=EXXX)											
11	1	26106-060182	BOLT, M6X 18 PLATED	2							
11A	1	119260-01590	COVER ASSY,GEAR CASE	1							W
(A=E01107)											
13	2	119620-01800	SEAL, OIL	1							
14	1	119660-01911	PIPE, KNOCK	4							
15	1	119305-01950	SHIM SET, ADJUSTING	1							A
16	1	24311-000120	O-RING, 1AP12.0	2							
17	1	26106-060162	BOLT, M6X 16 PLATED	5							
18	1	26106-060302	BOLT, M6X 30 PLATED	5							
19	1	26106-060402	BOLT, M6X 40 PLATED	3							
20	1	26106-060502	BOLT, M6X 50 PLATED	4							
21	1	26106-060652	BOLT, M6X 65 PLATED	6							
22	1	121023-01550	COVER	1							
23	1	124160-01751	COVER, FILLER	1							
24	1	24311-000320	O-RING, 1AP32.0	1							
24-1	1	121420-01760	O-RING	1							N
(A=EXXX)											
24-2	1	24311-000320	O-RING, 1AP32.0	1							N A
(A=EXXX)											
25	1	121520-01850	GASKET	1							
25-1	1	121520-01851	GASKET	1							N A
(A=E00988)											
26	1	121520-01860	COVER	1							Z
(A=EXXX)											
27	1	24341-000260	O-RING, 1AS26.0	1							
27-1	1	24341-000240	O-RING, 1AS24.0	1							N
(A=E00383)											
28	1	119600-52021	PUMP ASSY, FUEL FEED	1							W
(A=EXXX)											
29	1	26014-060202	BOLT, M6X 20	2							W
(A=EXXX)											

Remarks

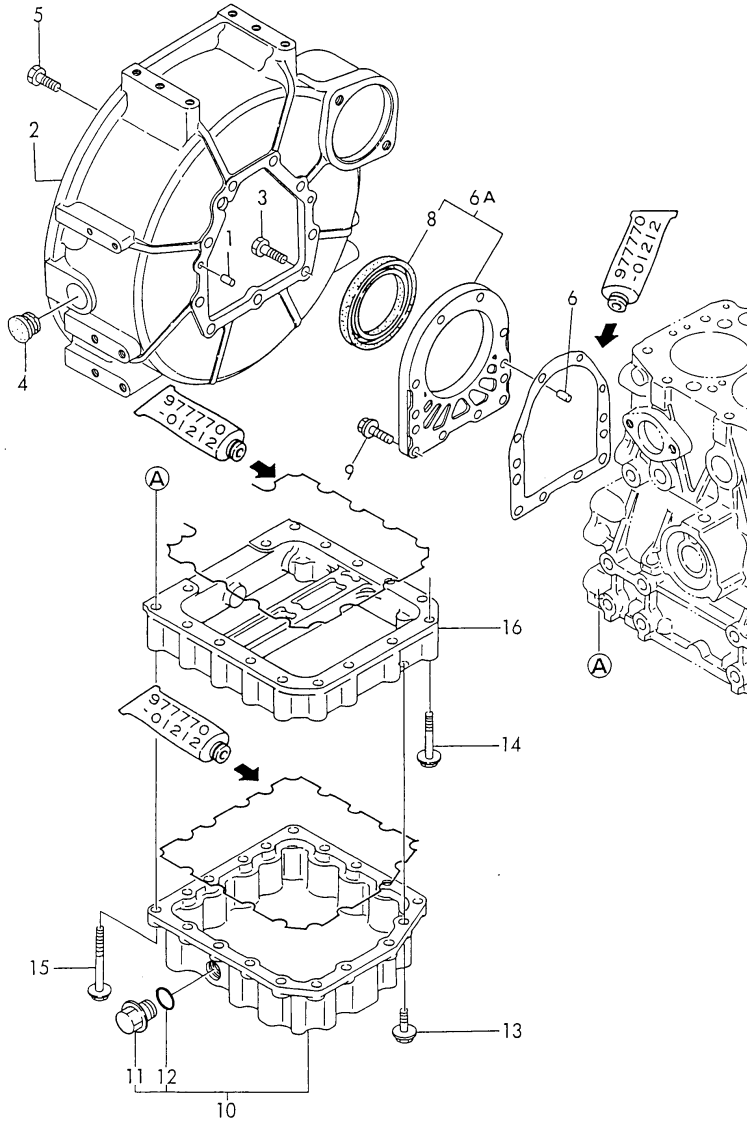
(A) THIS PART IS ALSO SOLD BY GASKET SET (FIG.17. REF.NO.6-2,P/# 719385 -92602).

Fig.3. FLYWHEEL HOUSING & OIL SUMP

(A)=2TN66L-UTBA  
(B)=  
(C)=

(D)=  
(E)=  
(F)=

SPEC. CODE  
D19260-01400  
D19600-01500  
D19332-01700



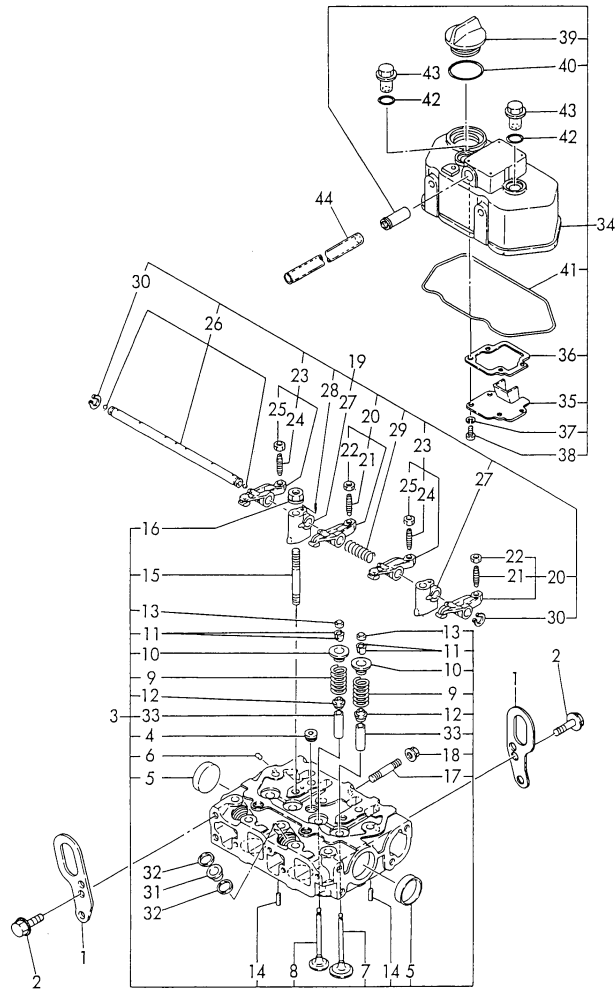
No.	Lev.	Parts No.	Description	Q'ty						I	R
				(A)	(B)	(C)	(D)	(E)	(F)		
1	1	129100-01580	PIN, M8X16	2							
2	1	119260-01600	HOUSING, FLYWHEEL	1							
3	1	121120-01620	BOLT, M10X28	3							
4	1	119620-01750	CAP	1							
5	1	26206-100252	BOLT, M10X 25 PLATED	6							
6	1	119620-01620	PIN, M6X10	2							
6A	1	119660-01640	CASE ASSY, OIL SEAL	1							W
		(A=E01107)									
8	2	124085-02220	SEAL, OIL	1							
9	1	26106-060222	BOLT, M6X 22 PLATED	10							
10	1	719332-01750	SUMP ASSY, OIL	1							
10-1	1	119332-01770	SUMP ASSY, OIL	1							N
		(A=*1990.06)									
10-2	1	119332-01771	SUMP ASSY, OIL	1							S
		(A=E01107)									
11	2	121400-01640	PLUG, 16	1							
12	2	24311-000180	O-RING, 1AP18.0	1							
13	1	26106-060202	BOLT, M6X 20 PLATED	3							
13-1	1	26106-060102	BOLT, M6X 10 PLATED	3							S
		(A=E03704)									
14	1	26106-060452	BOLT, M6X 45 PLATED	1							
14-1	1	26106-060452	BOLT, M6X 45 PLATED	16							K
		(A=E03704)									
15	1	26106-060552	BOLT, M6X 55 PLATED	15							Z
		(A=E03704)									
16	1	119305-01760	SPACER, OIL SUMP	1							

Fig.4. CYLINDER HEAD & BONNET

(A)=2TN66L-UTBA  
(B)=  
(C)=

(D)=  
(E)=  
(F)=

SPEC. CODE D19385-11100  
D19600-07300 D19305-11200  
D19305-03110 D19305-11310



No.	Lev.	Parts No.	Description	Q'ty						I	R
				(A)	(B)	(C)	(D)	(E)	(F)		
1	1	119260-07900	LIFTER	2							
2	1	26106-080142	BOLT, M8X 14 PLATED	3							
3	1	719385-11700	HEAD ASSY, CYLINDER	1							
4	2	121850-11860	PLUG, PT1/4	1							
4-1	2	23871-020000	PLUG, R02	1							N
(A=E01755)											
5	2	119285-11990	PLUG, 35	2							
6	2	27221-050080	PLUG, 5X 8	1							
7	2	119260-11100	VALVE, INTAKE	2							
8	2	119260-11110	VALVE, EXHAUST	2							
9	2	114250-11120	SPRING, VALVE	4							
10	2	114250-11180	RETAINER, SPRING	4							
11	2	114250-11190	COTTER	8							
12	2	119260-11340	SEAL, VALVE STEM	4							A
13	2	119260-11370	CAP, VALVE	4							
14	2	22351-060012	PIN, SPRING 6.0X12	2							
15	2	119620-11350	STUD	2							
16	2	26366-080002	NUT, M8	2							
17	2	26216-060402	STUD, M6X 40	2							
18	2	26366-060002	NUT, M6	2							
19	1	119305-11200	SUPPORT ASSY, ARM	1							
20	2	719260-11650	ARM ASSY, ROCKER	2							
21	3	105010-11230	SCREW, VALVE ADJUST	2							
22	3	26756-060002	NUT, LOCK M6	2							
23	2	719260-11660	ARM ASSY, ROCKER	2							
24	3	105010-11230	SCREW, VALVE ADJUST	2							
25	3	26756-060002	NUT, LOCK M6	2							
26	2	119305-11240	SHAFT ASSY, ROCKER	1							
27	2	119260-11260	SUPPORT, ROCKER ARM	2							
28	2	119260-11270	SCREW	1							
29	2	119260-11280	SPRING	1							
30	2	22242-000100	RING, 10	2							
31	1	119600-11450	PROTECTOR, NOZZLE	2							A
32	1	119600-11460	GASKET, NOZZLE	4							A
33	1	119260-11800	GUIDE, VALVE	2							1
34	1	719385-11520	BONNET ASSY, HEAD	1							
34-1	1	119305-11350	BONNET ASSY, HEAD	1							N
(A=E01107)											
35	2	119305-03020	PLATE, SHELTER	1							
36	2	119305-03030	GASKET	1							
36-1	2	119305-03031	GASKET	1							N A
(A=E03745)											
37	2	22217-050000	WASHER, SPRING 5	4							
38	2	26557-050102	SCREW, M5X10	4							
39	2	124160-01751	COVER, FILLER	1							
40	2	24311-000320	O-RING, 1AP32.0	1							A
41	2	119305-11310	GASKET, BONNET	1							
42	1	24311-000120	O-RING, 1AP12.0	2							
43	1	124160-11360	KNOB	2							
44	1	23065-120500	PIPE, 12X 500	1							

Remarks

(1) REPAIR PART.

(A) THIS PART IS ALSO SOLD BY GASKET SET(FIG.17.REF.NO.6-2,P/# 719385

-92602).

N:Old  $\begin{matrix} \text{Yes} \\ \text{No} \end{matrix}$  New, Q:Old  $\begin{matrix} \text{No} \\ \text{Yes} \end{matrix}$  New, R:Old  $\begin{matrix} \text{Yes} \\ \text{No} \end{matrix}$  New, S:Old  $\begin{matrix} \text{No} \\ \text{Yes} \end{matrix}$  New, W:Add, Z:Discontinued, F:Interchangeable by set, K:Q'ty Change

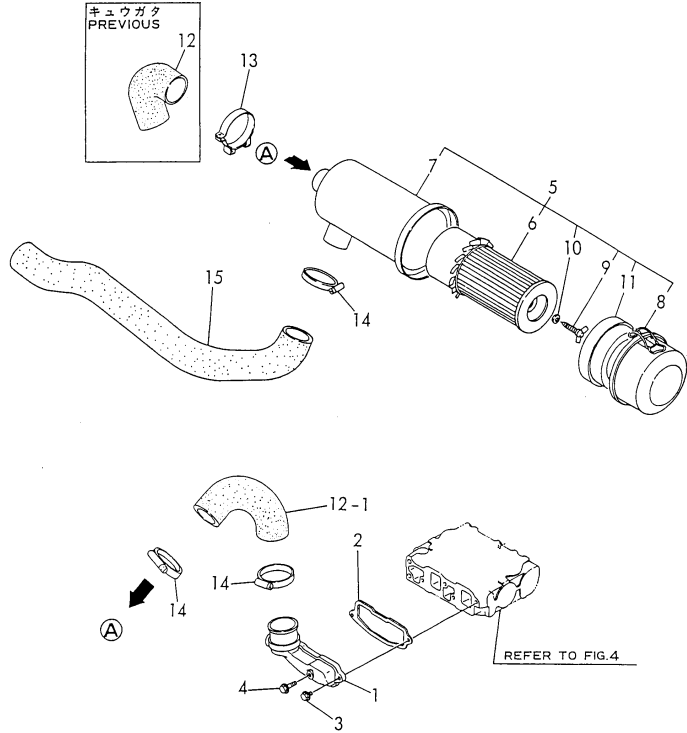


Fig.5. SUCTION MANIFOLD & AIR CLEANER

(A)=2TN66L-UTBA  
(B)=  
(C)=

(D)=  
(E)=  
(F)=

SPEC. CODE  
D19305-12210  
D19332-93000



No.	Lev.	Parts No.	Description	Q'ty						I	R
				(A)	(B)	(C)	(D)	(E)	(F)		
1	1	119305-12150	MANIFOLD, AIR INTAKE	1							
2	1	119305-12160	GASKET, MANIFOLD	1							A
3	1	26106-060162	BOLT, M6X 16 PLATED	2							
4	1	26106-060282	BOLT, M6X 28 PLATED	1							
5	1	171033-12500	CLEANER ASSY, AIR	1							
6	2	171033-12510	ELEMENT	1							
7	2	171033-12540	CASE ASSY, CLEANER	1							
8	2	171033-12560	PAN ASSY, DUST	1							
9	2	124064-12680	BOLT	1							
10	2	124064-12690	WASHER	1							
11	2	121465-12700	RETAINER, ELEMENT	1							
12	1	119332-12550	PIPE, AIR INTAKE	1							
12-1	1	119332-12210	PIPE, AIR INTAKE	1							S
		(A=E01191)									
13	1	171126-12580	BAND, AIR CLEANER	1							
14	1	23000-060000	CLAMP, 60	2							
14-1	1	23000-060000	CLAMP, 60	3							K
		(A=E01511)									
15	1	119332-12220	PIPE, AIR INTAKE	1							W
		(A=E01191)									
15-1	1	119332-12221	PIPE, AIR INTAKE	1							N
		(A=E01191)									
		(A=E01511)									
15-2	1	119332-12221	PIPE, AIR INTAKE	1							Z
		(A=E05733)									

Remarks

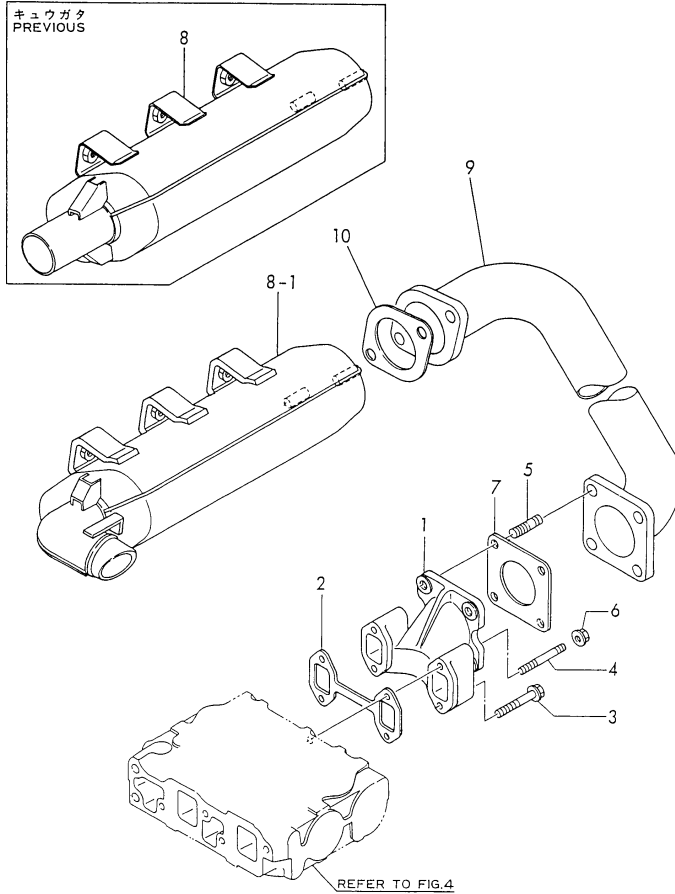
(A) THIS PART IS ALSO SOLD BY GASKET SET (FIG.17. REF.NO.6-2,P/# 719385 -92602).

Fig.6. EXHAUST MANIFOLD & SILENCER

(A)=2TN66L-UTBA  
(B)=  
(C)=

(D)=  
(E)=  
(F)=

SPEC. CODE  
D19305-13100 TK  
D19332-93000



No.	Lev.	Parts No.	Description	Q'ty						I	R
				(A)	(B)	(C)	(D)	(E)	(F)		
1	1	119305-13100	MANIFOLD, EXHAUST	1							
2	1	119305-13110	GASKET	1							A
3	1	26106-060402	BOLT, M6X 40 PLATED	2							
4	1	26216-060402	STUD, M6X 40	2							
5	1	26216-080222	STUD, M8X 22	4							
6	1	26366-060002	NUT, M6	2							
7	1	124701-11910	GASKET, SILENCER	1							
7-1	1	124701-11911 (A=E01161)	GASKET, SILENCER	1							N A
8	1	119332-13500	SILENCER	1							
8-1	1	119332-13501 (A=E01191)	SILENCER	1							S
9	1	119332-13550	PIPE	1							
9-1	1	119332-13551 (A=E01191)	PIPE	1							S
10	1	129107-13550	GASKET	1							

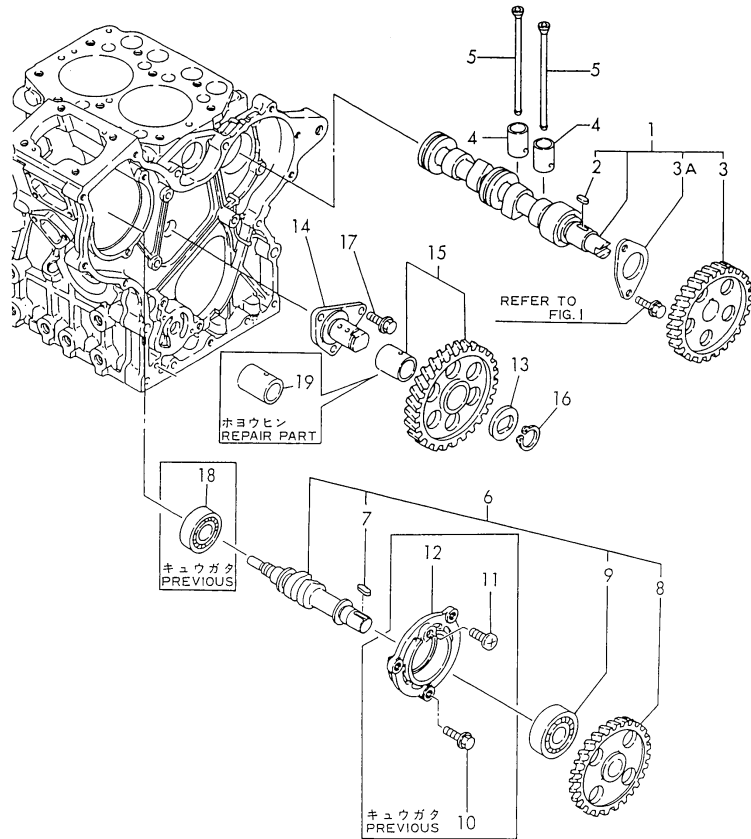
Remarks  
(A) THIS PART IS ALSO SOLD BY GASKET SET (FIG.17. REF.NO.6-2,P/# 719385 -92602).

Fig.7. CAMSHAFT & DRIVE GEAR

(A)=2TN66L-UTBA  
(B)=  
(C)=

(D)=  
(E)=  
(F)=

SPEC. CODE  
D19260-25100  
D19305-14110



No.	Lev.	Parts No.	Description	Q'ty						I	R
				(A)	(B)	(C)	(D)	(E)	(F)		
1	1	119305-14580 (A=EXXX)	CAMSHAFT ASSY	1							W
2	2	22512-040120	KEY, 4X 12		1						
3	2	119260-14100	GEAR, CAMSHAFT		1						
3A	2	119620-02450 (A=EXXX)	BEARING, THRUST		1						W
4	1	119260-14200	TAPPET		4						
5	1	119260-14400	ROD, PUSH		4						
6	1	119305-14200 (A=EXXX)	CAM ASSY		1						W
7	2	22512-040120	KEY, 4X 12		1						
8	2	119260-25900	GEAR, PUMP		1						
9	2	24102-063034	BEARING, BALL 6303U		1						
10	1	26106-060162 (A=EXXX)	BOLT, M6X 16 PLATED		3						Z
11	1	26587-080102 (A=EXXX)	SCREW, M8X10		1						Z
12	1	119660-01821 (A=EXXX)	BEARING, FUEL CAM		1						Z
13	1	119660-25022	RETAINER		1						
14	1	119660-25052	SHAFT, IDLE		1						
15	1	119260-25100	GEAR ASSY, IDLE		1						
16	1	22242-000200	RING, 20		1						
17	1	26106-060122	BOLT, M6X 12 PLATED		3						
18	1	24101-062034 (A=EXXX)	BEARING, BALL 6203		1						Z
19	1	119620-25912	BUSH		1						1

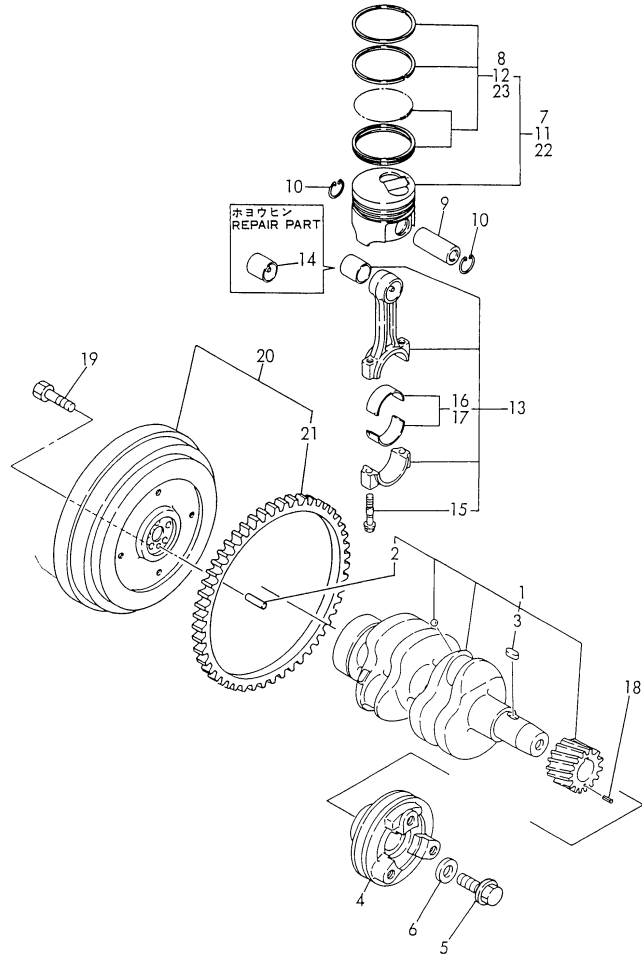
Remarks  
(1) REPAIR PART.

Fig.8. CRANKSHAFT & PISTON

(A)=2TN66L-UTBA  
(B)=  
(C)=

(D)=  
(E)=  
(F)=

SPEC. CODE  
D19305-21100  
D19332-21200  
D19305-21300  
D19270-22100  
D19260-23100



No.	Lev.	Parts No.	Description	Q'ty						I	R
				(A)	(B)	(C)	(D)	(E)	(F)		
1	1	719385-21700	CRANKSHAFT ASSY	1							
1-1	1	719305-21710	CRANKSHAFT ASSY	1							N
(A=EXXX)											
2	2	129100-01580	PIN, M8X16	1							
3	2	22512-040120	KEY, 4X 12	1							
4	1	119305-21650	V-PULLEY	1							
5	1	119621-21680	BOLT, FLANGE 12X1.25	1							
6	1	119620-21941	WASHER	1							
7	1	119270-22091	PISTON ASSY	2							
8	2	719270-22501	RING SET, PISTON	2							
9	1	119260-22300	PIN, PISTON	2							
10	1	105225-22400	CIRCLIP	4							
11	1	719270-22821	PISTON ASSY, 0.25 OS	2							1
12	2	719270-22541	RING SET, 0.25 OS	2							1
13	1	719260-23100	ROD ASSY, CONNECTING	2							
14	2	119260-23910	BEARING, PISTON PIN	2							2
15	2	119260-23200	BOLT, CONNECTING ROD	4							
16	2	719260-23600	BEARING, CRANK PIN	2							
17	1	719260-23610	BEARING ASSY, 0.25	2							3
18	1	22351-030012	PIN, SPRING 3.0X12	1							
19	1	121111-21501	BOLT, FLYWHEEL	5							
20	1	119332-21590	FLYWHEEL ASSY	1							
21	2	124950-21600	GEAR, RING	1							
22	1	119270-22920	PISTON ASSY, 0.50 OS	2							4
23	1	119270-22970	RING SET, 0.50 OS	2							4

Remarks

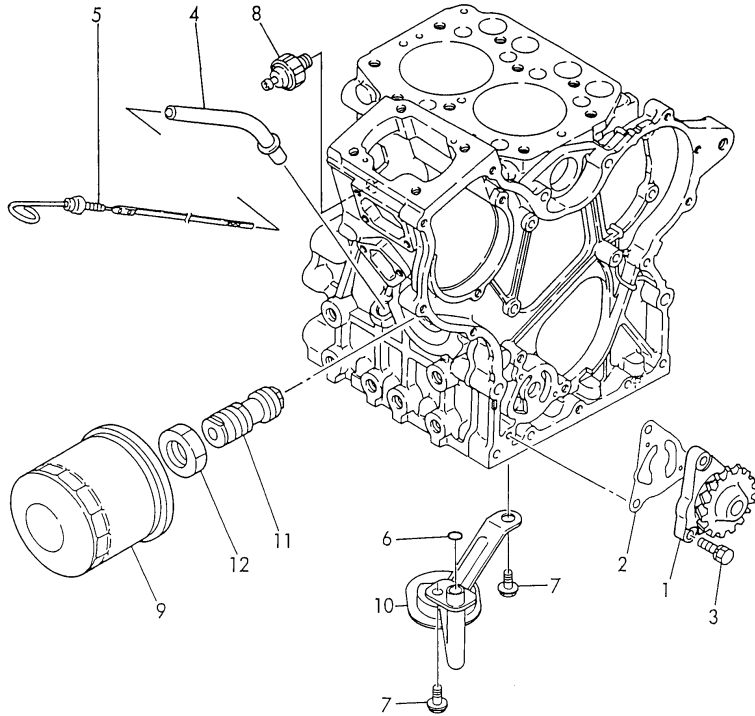
- (1) OVER-SIZE(O.S=0.25)PARTS.
- (2) REPAIR PART.
- (3) UNDER-SIZE(U.S=0.25)PART.
- (4) OVER-SIZE (O.S=0.5)PARTS.
- (M) MISS PRINT.

Fig.9. LUB. OIL SYSTEM

SPEC. CODED19305-35100  
 D19260-32100D19332-35200  
 D19332-34100D19600-39100

(A)=2TN66L-UTBA  
 (B)=  
 (C)=

(D)=  
 (E)=  
 (F)=



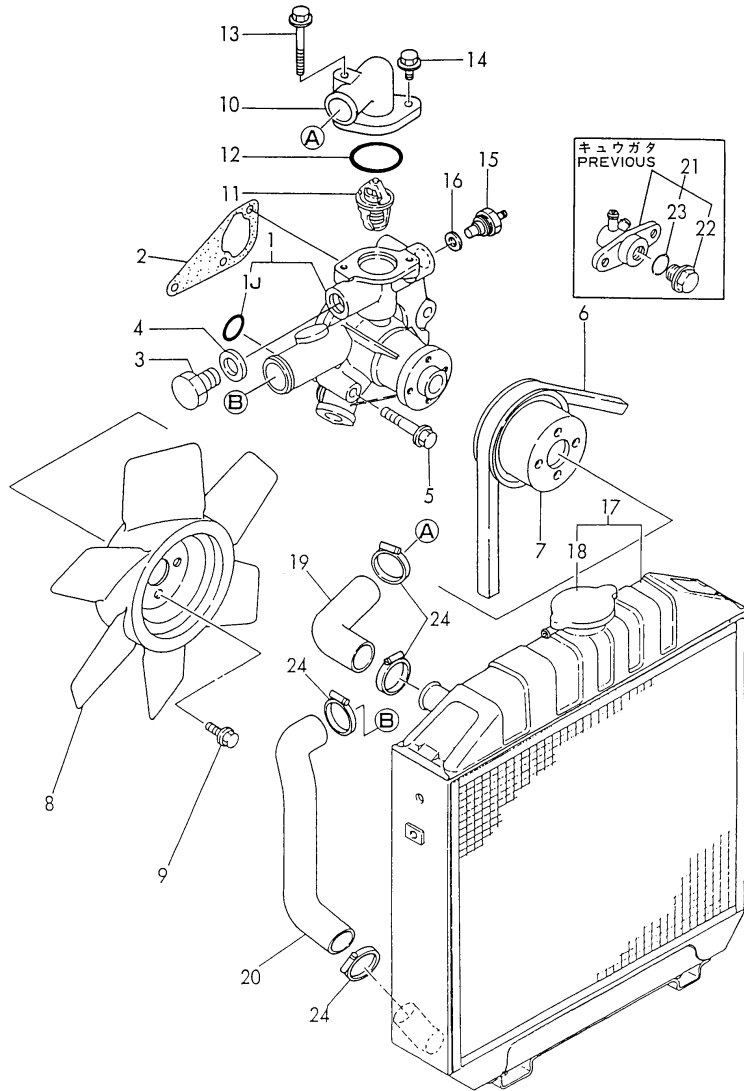
No.	Lev.	Parts No.	Description	Q'ty						I	R
				(A)	(B)	(C)	(D)	(E)	(F)		
1	1	119260-32000	PUMP ASSY, OIL	1							
2	1	119660-32020	GASKET, PUMP	1							
3	1	26013-060202	BOLT, M6X 20	3							
3-1	1	26450-060202 (A=E01755)	BOLT, M6X 20	3							N
4	1	119332-34890	GUIDE, DIPSTICK	1							
5	1	119332-34800	DIPSTICK, OIL	1							
5-1	1	119332-34880 (A=EXXX)	DIPSTICK, OIL	1							N
6	1	24311-000120	O-RING, 1AP12.0	1							
7	1	26106-060122	BOLT, M6X 12 PLATED	2							
8	1	124160-39450	SWITCH, 0.5KG	1							
9	1	119305-35150	FILTER, OIL	1							
10	1	119332-35080	PIPE ASSY, OIL INLET	1							
11	1	119225-35300	VALVE ASSY	1							
12	1	129150-35350	NUT	1							

Fig.10. COOLING WATER SYSTEM

(A)=2TN66L-UTBA  
(B)=  
(C)=

(D)=  
(E)=  
(F)=

SPEC. CODE D19225-49200  
D19305-42300 D19629-49600  
D19332-44201 D19244-49300  
D19249-42100



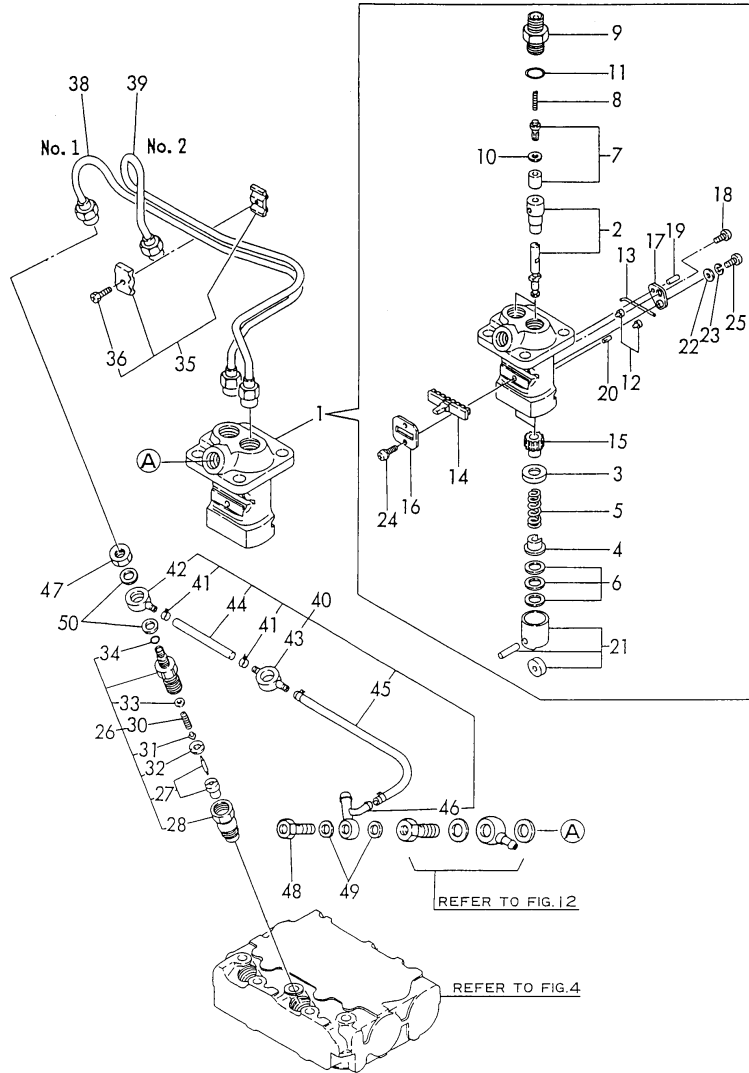
No.	Lev.	Parts No.	Description	Q'ty						I	R
				(A)	(B)	(C)	(D)	(E)	(F)		
1	1	119260-42000	PUMP ASSY, WATER	1							
1-1	1	119260-42001	PUMP ASSY, WATER	1							N
(A=E01163)											
1J	2	119225-42320	O-RING	1							
2	1	119260-42020	GASKET, WATER PUMP	1							A
3	1	121450-42450	PLUG, M16	1							
4	1	23414-160021	GASKET, 16X1.0	1							
4-1	1	124465-44950	GASKET, 16	1							N
(A=EXXX)											
5	1	26106-080452	BOLT, M8X 45 PLATED	3							
6	1	104514-42780	V-BELT, HM33	1							
7	1	119620-42350	V-PULLEY	1							
8	1	119256-44740	FAN, COOLING D260X6	1							
8-1	1	119332-44740	FAN, COOLING D260X5	1							N
(A=EXXX)											
9	1	26014-060142	BOLT, M6X 14	4							
10	1	119256-49530	COVER, THERMOSTAT	1							
11	1	119260-49800	THERMOSTAT, 71	1							
12	1	24321-000350	O-RING, 1AG35.0	1							A
13	1	26106-060162	BOLT, M6X 16 PLATED	1							
14	1	26106-060552	BOLT, M6X 55 PLATED	1							
15	1	124250-49351	SENSOR	1							
16	1	129150-49360	GASKET	1							
17	1	119332-44500	RADIATOR ASSY	1							
18	2	124450-44590	CAP, RADIATOR	1							
18-1	2	123682-44210	CAP, RADIATOR	1							N
(A=FROM 1ST)											
19	1	119332-49010	PIPE, WATER	1							
20	1	119332-49020	PIPE, WATER	1							
21	1	121450-49110	COCK ASSY, 3-WAY	1							Z
(A=EXXX)											
22	2	121250-49121	PLUG, DRAIN	1							Z
(A=EXXX)											
23	2	24311-000160	O-RING, 1AP16.0	1							Z
(A=EXXX)											
24	1	23010-038000	CLAMP, 38	4							

Fig.11. FUEL INJECTION PUMP

(A)=2TN66L-UTBA  
(B)=  
(C)=

(D)=  
(E)=  
(F)=

SPEC. CODE  
D19620-53100  
D19305-59100  
D19332-59300  
719332-51301



No.	Lev.	Parts No.	Description	Q'ty						I	R
				(A)	(B)	(C)	(D)	(E)	(F)		
1	1	719305-51100	PUMP ASSY, INJECTION	1							
2	2	119225-51100	PLUNGER ASSY	2							
3	2	119620-51170	RETAINER, SPRING A	2							
4	2	119620-51180	RETAINER, SPRING B	2							
5	2	119620-51190	SPRING, PLUNGER	2							
6	2	119620-51250	SHIM SET	2							
7	2	119225-51300	VALVE ASSY, DELIVERY	2							
8	2	105546-51330	SPRING, DELIVERY	2							
9	2	119620-51340	HOLDER, DELIVERY	2							
10	2	119620-51350	GASKET	2							
11	2	119620-51370	O-RING	2							
12	2	119620-51450	PIECE	2							
13	2	174307-51460	PIN, LOCK	1							
14	2	119305-51500	RACK, CONTROL	1							
15	2	119620-51510	PINION	2							
16	2	119305-51530	RETAINER, RACK	1							
17	2	119620-51650	PLATE	1							
18	2	119620-51660	SCREW	1							
19	2	119620-51670	PIN	1							
20	2	119620-51680	PIN	1							
21	2	119620-51700	TAPPET ASSY	2							
22	2	22137-040000	WASHER, 4	1							
23	2	22217-040000	WASHER, SPRING 4	1							
24	2	26022-040082	SCREW, M4X 8	2							
25	2	26587-040102	SCREW, M4X10	1							
26	1	719620-53700	VALVE ASSY,INJECTION	2							
26-1	1	719620-53100	VALVE ASSY,INJECTION	2							N
(A=E04326)											
27	2	119620-53000	VALVE ASSY,INJECTION	2							
28	2	119620-53080	NUT, NOZZLE	2							
30	2	119620-53120	SPRING, NOZZLE	2							
31	2	114250-53130	SEAT, SPRING	2							
32	2	119620-53140	SPACER, VALVE STOP	2							
33	2	114250-53400	SHIM SET	2							
34	2	129155-61830	O-RING, S10	2							
34-1	2	129155-51580	O-RING	2							N
(A=E04326)											
35	1	119305-59120	RETAINER, PIPE	1							
36	2	129150-59130	BOLT, M4X12	1							
36-1	2	129150-59131	BOLT, M4X14	1							N
(A=E05381)											
38	1	119305-59810	PIPE ASSY, INJECTION	1							
39	1	119305-59820	PIPE ASSY, INJECTION	1							
40	1	119332-59540	PIPE ASSY, RETURN	1							
41	2	124066-59100	CLIP, HOSE 8	2							
42	2	119260-59520	JOINT	1							
43	2	119260-59530	JOINT	1							
44	2	119260-59550	PIPE, FUEL	1							
45	2	119642-59550	PIPE, FUEL RETURN	1							
46	2	119642-59570	JOINT, OVER FLOW	1							
47	1	119620-59700	NUT, NOZZLE	2							

# Fig.11. FUEL INJECTION PUMP

(A)=2TN66L-UTBA  
(B)=  
(C)=

(D)=  
(E)=  
(F)=

SPEC. CODE  
D19620-53100  
D19305-59100  
D19332-59300  
719332-51301

No.	Lev.	Parts No.	Description	Q'ty						I	R
				(A)	(B)	(C)	(D)	(E)	(F)		
48	1	124550-59820	BOLT, PIPE JOINT M8	1							
49	1	23414-080012	GASKET, 8X1.0	2							
50	1	23414-140000	GASKET, 14X1.0	2							

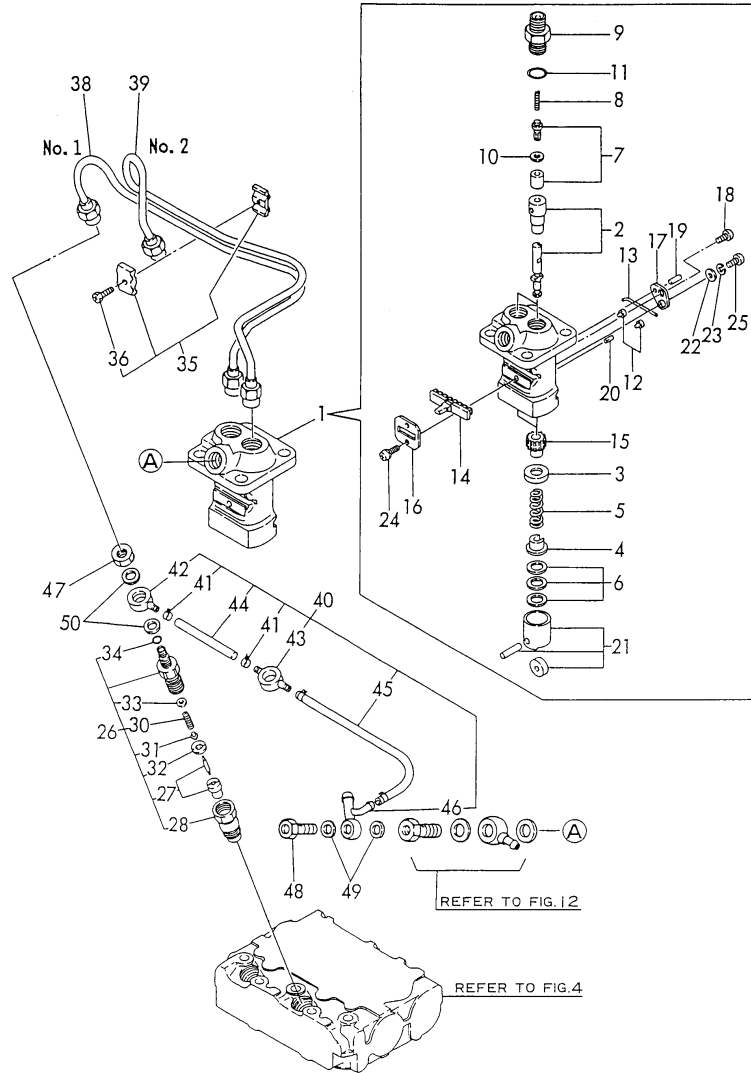




Fig.12. FUEL LIEN

(A)=2TN66L-UTBA

(B)=

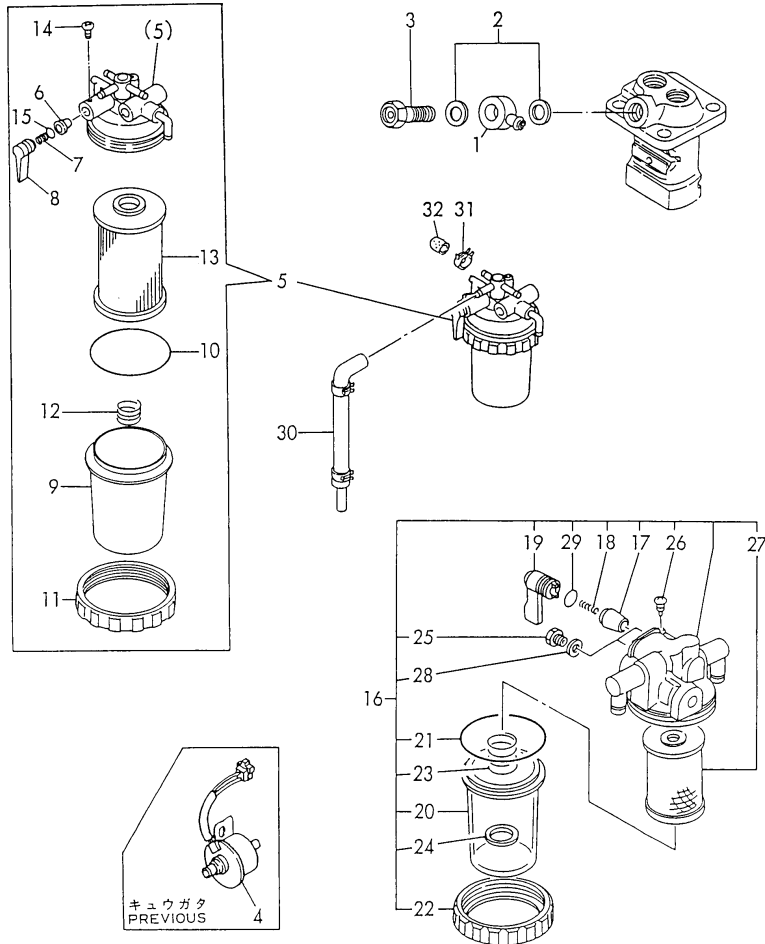
(C)=

(D)=

(E)=

(F)=

SPEC. CODE  
D19640-59210  
D19332-93000



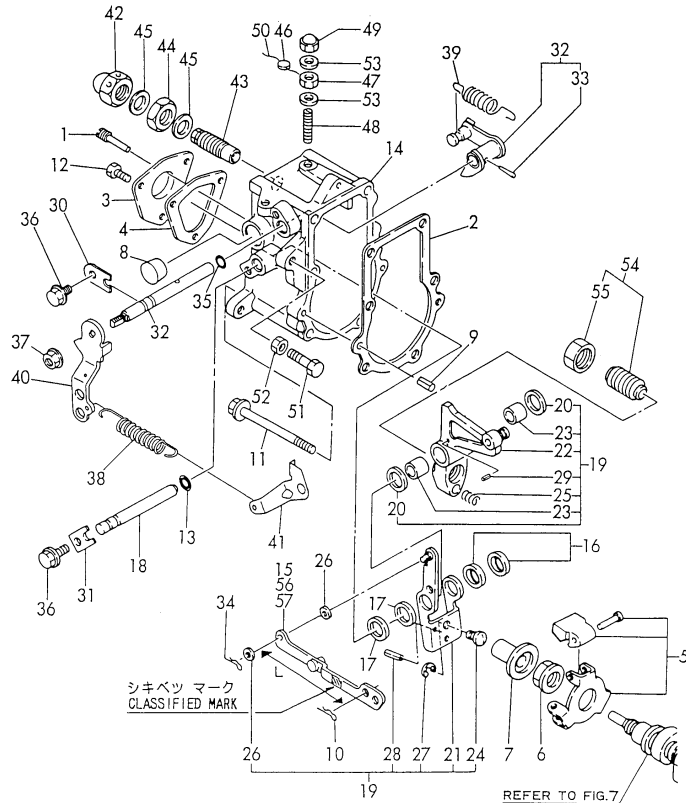
No.	Lev.	Parts No.	Description	Q'ty						I	R
				(A)	(B)	(C)	(D)	(E)	(F)		
1	1	101304-59020	JOINT, PIPE 12	1							
2	1	104200-59170	GASKET, 12	2							
3	1	119650-59200	BOLT, PIPE JOINT M12	1							
4	1	119225-52102	PUMP ASSY, FUEL FEED	1							Z
		(A=E0000)									
5	1	119632-55620	FILTER ASSY, FUEL	1							
6	2	104200-55321	VALVE, TAPER	1							
7	2	104200-55330	SPRING, VALVE	1							
8	2	119810-55340	LEVER	1							
9	2	121254-55510	COVER	1							
10	2	102103-55520	O-RING	1							
11	2	110250-55610	RING, RETAINING	1							
12	2	121250-55620	SPRING	1							
13	2	124550-55700	FILTER, FUEL L=90	1							
14	2	104200-55750	SCREW, M4	1							
15	2	24311-240100	O-RING, 1AP10A	1							
16	1	129335-55700	SEPARATOR ASSY,WATER	1							
17	2	104200-55321	VALVE, TAPER	1							
18	2	104200-55330	SPRING, VALVE	1							
19	2	104200-55341	HANDLE	1							
20	2	124064-55510	COVER	1							
21	2	102103-55520	O-RING	1							
22	2	110250-55610	RING, RETAINING	1							
23	2	121257-55720	SPRING	1							
24	2	121257-55731	FLOAT	1							
25	2	101720-55750	PLUG, 6	2							
26	2	104200-55750	SCREW, M4	1							
27	2	171081-55910	SCREEN	1							
28	2	23418-060000	GASKET, 6X1.0	2							
29	2	24311-240100	O-RING, 1AP10A	1							
30	1	119840-59601	BEND	2							
30-1	1	119840-59601	BEND	1							K
		(A=E03060)									
31	1	124066-59100	CLIP, HOSE 8	1							W
		(A=E00388)									
32	1	129150-59580	CAP	1							W
		(A=E00388)									

Fig.13. GOVERNOR

(A)=2TN66L-UTBA  
(B)=  
(C)=

(D)=  
(E)=  
(F)=

SPEC. CODE  
719332-51301  
D29428-66400



No.	Lev.	Parts No.	Description	Q'ty						I	R
				(A)	(B)	(C)	(D)	(E)	(F)		
1	1	124250-03640	SCREW	1							
2	1	119660-61051	GASKET	1							
2-1	1	119660-61052	GASKET	1							N
(A=E00982)											
3	1	119660-61060	COVER, GOVERNOR CASE	1							
4	1	119660-61070	GASKET	1							
4-1	1	119660-61071	GASKET	1							N
(A=E00982)											
5	1	119600-61200	WEIGHT ASSY,GOVERNOR	1							
6	1	119660-61300	NUT	1							
7	1	119660-61341	SLEEVE	1							
8	1	119640-61400	PLUG	1							
9	1	22351-040010	PIN, SPRING 4.0X10	2							
10	1	22360-060000	PIN, SNAP 6	1							
11	1	26106-060702	BOLT, M6X 70 PLATED	6							
12	1	26116-050102	BOLT, M5X 10 PLATED	3							
13	1	129155-51280	O-RING, S6	1							
14	1	119660-61013	CASE, GOVERNOR	1							
15	1	119285-61120	LINK, NO MARK	1							1
16	1	119660-61460	SHIM SET	1							
17	1	129155-61480	SPACER ASSY	2							
18	1	119660-61491	SHAFT	1							
19	1	119285-61500	LEVER ASSY, GOVERNOR	1							
20	2	174307-51700	SHIM SET	2							
21	2	119660-61512	LEVER, TENSION	1							
22	2	119600-61520	LEVER, GOVERNOR	1							
23	2	121450-61520	BEARING, NEEDLE 8	2							
24	2	119600-61540	SHIFTER	1							
25	2	119600-61650	SPRING, STARTING	1							
26	2	22117-040000	WASHER, 4	2							
27	2	22272-000040	RING, E- 4	1							
28	2	22351-020004	PIN, SPRING 2.0X 4	1							
29	2	22351-030014	PIN, SPRING 3.0X14	1							
30	1	119600-61900	RETAINER, SHAFT	1							
31	1	119660-61901	RETAINER, SHAFT	1							
32	1	119285-66090	SHAFT ASSY	1							
33	2	22322-030160	PIN, TAPER 3X16	1							
34	1	22360-040000	PIN, SNAP 4	1							
35	1	24341-000070	O-RING, 1AS7.0	1							
36	1	26106-060102	BOLT, M6X 10 PLATED	2							
37	1	194990-22050	NUT, M8	1							
38	1	119840-61870	SPRING	1							
39	1	119305-66010	SPRING, REGULATOR	1							
40	1	119640-66051	HANDLE, REGULATOR	1							
41	1	119656-66910	HOOK	1							
42	1	129100-61930	NUT, CAP	1							
43	1	119600-66530	LIMITER ASSY, FUEL	1							
44	1	124772-66750	NUT, LOCK M12	1							
45	1	43400-500450	SEAL WASHER 12S	2							
45-1	1	22190-120002	WASHER, SEAL 12	2							N
(A=E05067)											

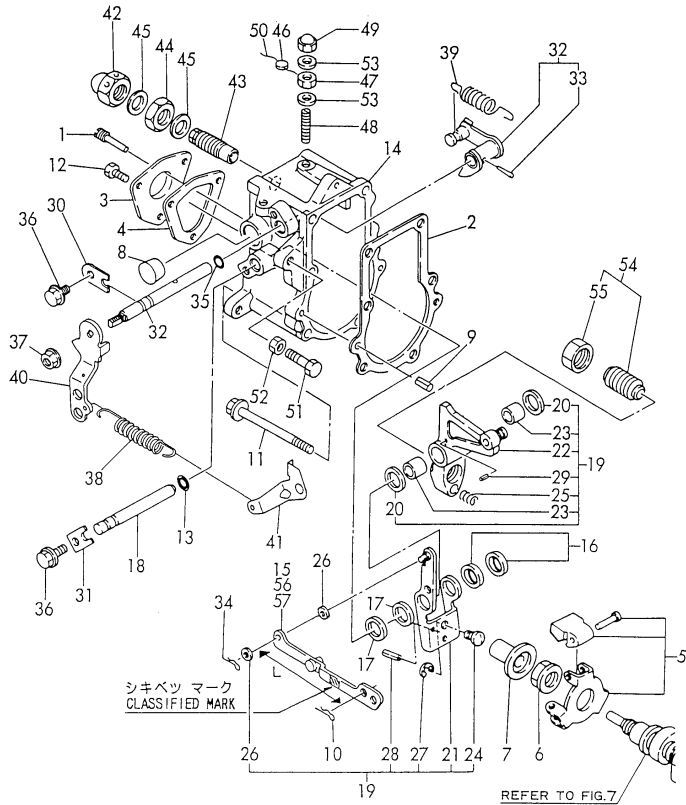
Remarks  
(1) SELECTIVE PARTS. CERTAIN THE CLASSIFICATION MARK, THEN PLACE YOUR ORDER.(ILLUSTRATION)

Fig.13. GOVERNOR

(A)=2TN66L-UTBA  
(B)=  
(C)=

(D)=  
(E)=  
(F)=

SPEC. CODE  
719332-51301  
D29428-66400



No.	Lev.	Parts No.	Description	Q'ty						I	R
				(A)	(B)	(C)	(D)	(E)	(F)		
46	1	135210-61090	LEAD	1							
47	1	124550-66370	NUT, M6	1							
48	1	121575-66830	SCREW	1							
49	1	119600-66840	NUT, CAP	1							
50	1	22451-060000	WIRE, 0.6	1							
51	1	26116-060304	BOLT, M6X 30 PLATED	1							
52	1	26756-060002	NUT, LOCK M6	1							
53	1	43400-500400	SEAL WASHER 6	2							
53-1	1	22190-060003	SEAL WASER 6	2							N
(A=E05067)											
54	1	119600-66720	ANGLEICH ASSY	1							
55	2	129155-61590	NUT, LOCK	1							
56	1	119285-61130	LINK, MARK :2	1							1
57	1	119285-61140	LINK, MARK :3	1							1

Remarks

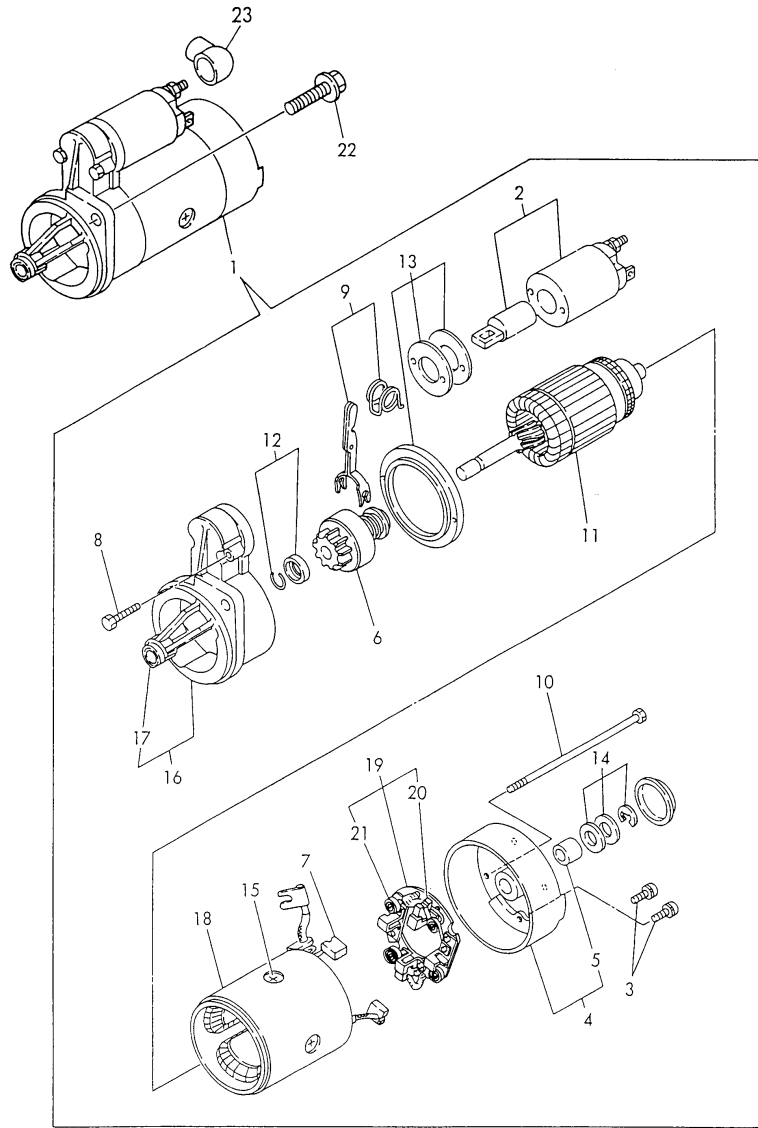
(1) SELECTIVE PARTS. CERTAIN THE CLASSIFICATION MARK, THEN PLACE YOUR ORDER.(ILLUSTRATION)

Fig.14. STARTING MOTOR

(A)=2TN66L-UTBA  
(B)=  
(C)=

(D)=  
(E)=  
(F)=

SPEC. CODE  
D19260-77110



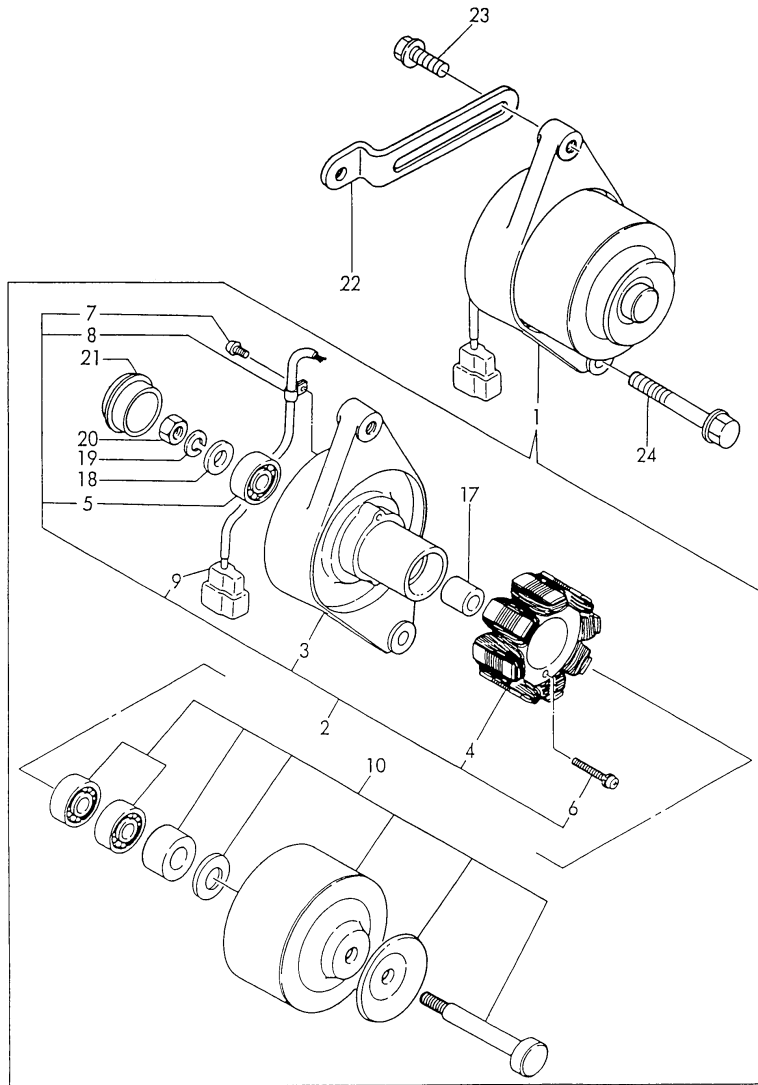
No.	Lev.	Parts No.	Description	Q'ty						I	R
				(A)	(B)	(C)	(D)	(E)	(F)		
1	1	119225-77010	STARTER	1							
1-1	1	119225-77011	STARTER	1							N
(A=E01251)											
2	2	X2114275070	SWITCH, MAGNETIC	1							
3	2	X2114283500	SCREW SET	1							
4	2	X2114430010	COVER ASSY, REAR	1							
5	3	X2114535200	METAL, STARTER	1							
6	2	X2114455040	PINION ASSY	1							
7	2	X2114531200	BRUSH (+)	2							
8	2	X2114586700	BOLT M6X 37	2							
9	2	X2114660130	LEVER KIT, SHIFT	1							
10	2	X2114680050	BOLT, THROUGH	2							
11	2	X2114710080	AMATURE ASSY.	1							
12	2	X2114715500	STOPPER SET	1							
13	2	X2114780060	COVER ASSY, DUST	1							
14	2	X2114811000	WASHER KIT, THRUST	1							
15	2	X2114821500	SCREW SET	4							
16	2	X2114866060	HOUSING, GEAR	1							
17	3	X2114535200	METAL, STARTER	1							
18	2	X2114921040	COIL ASSY, FIELD	1							
19	2	X2114990010	HOLDER ASSY, BRUSH	1							
20	3	X2114831300	BRUSH (-)	1							
21	3	X2114931400	SPRING, BRUSH	3							
22	1	26106-100252	BOLT, M10X 25 PLATED	2							
23	1	124160-77020	COVER, TERMINAL	1							W
(A=E00257)											

Fig.15. GENELATOR

(A)=2TN66L-UTBA  
(B)=  
(C)=

(D)=  
(E)=  
(F)=

SPEC. CODE  
D19242-77220  
D21450-77300



No.	Lev.	Parts No.	Description	Q'ty						I	R
				(A)	(B)	(C)	(D)	(E)	(F)		
1	1	119663-77200	DYNAMO	1							
2	2	XM91967	PLATE ASSY	1							
3	3	XM91968	PLATE	1							
4	3	XM91969	STATOR	1							
5	3	XM27436	BEARING, BALL	1							
6	3	26022-040252	SCREW, M4X25	2							
7	3	XYSPS4008	SCREW	1							
8	3	XM36410	CLAMP	1							
9	3	XM17878	COUPLER	1							
10	2	XM82099	FLYWHEEL ASSY	1							
17	2	106383-44720	SPACER	1							
18	2	106383-44730	WASHER	1							
19	2	22212-100000	SPRING WASHER 10	1							
20	2	26716-100002	NUT, M10	1							
21	2	105225-44790	CAP	1							
22	1	121450-77330	ADJUSTER	1							
22-1	1	119660-77330	ADJUSTER	1							N
(A=E04783)											
23	1	26014-080252	BOLT, M8X 25	1							
24	1	26106-100402	BOLT, M10X 40 PLATED	1							
25	1	26106-080162	BOLT, M8X 16 PLATED	1							W
(A=E04783)											

Fig.16. ELECTRIC PART

(A)=2TN66L-UTBA  
(B)=  
(C)=

(D)=  
(E)=  
(F)=

SPEC. CODE  
D19332-77310  
D19305-77700  
D19332-93000

No.	Lev.	Parts No.	Description	Q'ty						I	R
				(A)	(B)	(C)	(D)	(E)	(F)		
1	1	129155-77801	PLUG, GLOW	2							
2	1	119305-77820	CONNECTOR, GLOW PLUG	1							
3	1	119660-77710	LIMITER, CURRENT 15A	1							
4	1	171301-77720 (A=E02449)	COUPLER	1							Z
5	1	119332-77810	REGISTER	1							

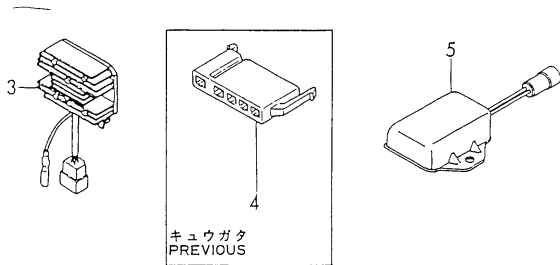
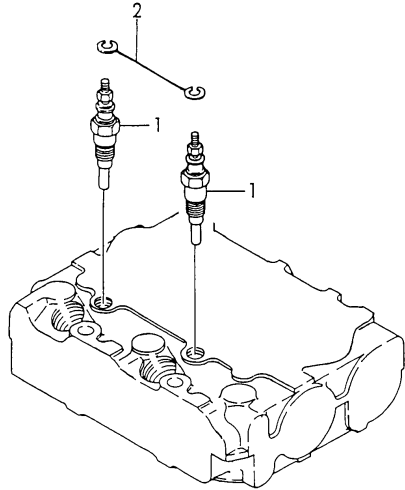


Fig.17. GASKET SET(OPTIONAL) & TOOL

(A)=2TN66L-UTBA

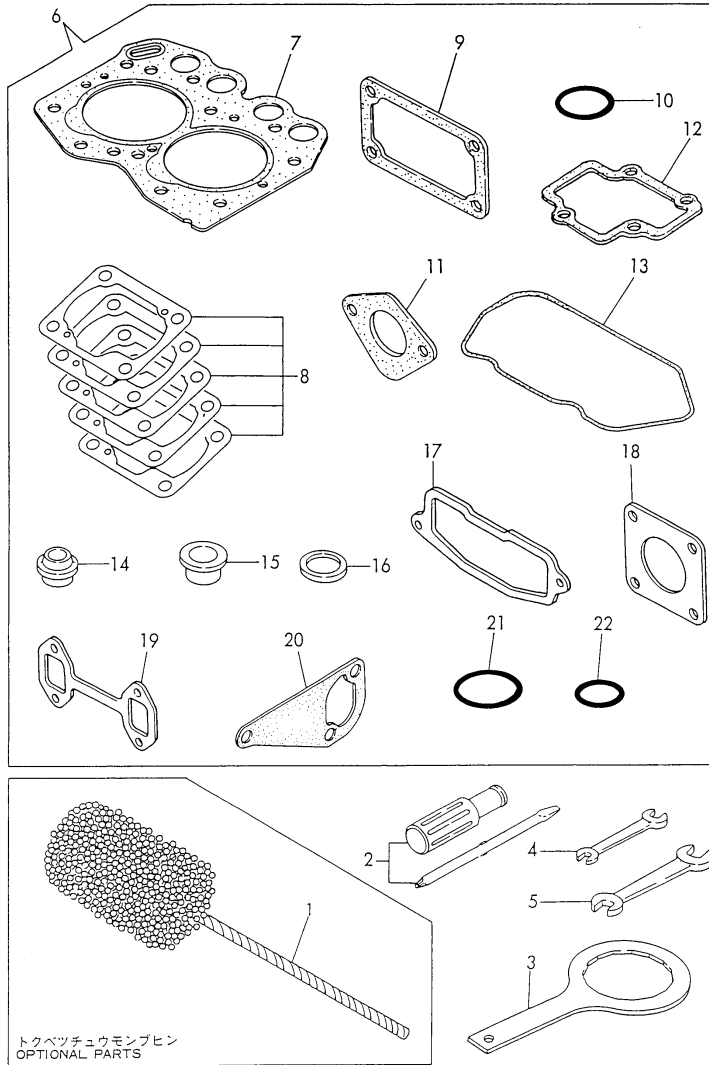
(B)=

(C)=

(D)=

(E)=

(F)=



No.	Lev.	Parts No.	Description	Q'ty						I	R
				(A)	(B)	(C)	(D)	(E)	(F)		
1	1	129400-92400	HONE	1							1
2	1	104200-92350	DRIVER, SCREW	1							
3	1	119332-92750	WRENCH, FILTER	1							
3-1	1	119332-92751 (A=E02449)	WRENCH, FILTER 68	1							N
4	1	28110-100120	SPANNER, 10X12	1							
5	1	28110-140170	SPANNER, 14X17	1							
6	1	719385-92600	GASKET SET	1							1
6-1	1	719385-92601	GASKET SET	1							N 1
6-2	1	719385-92602 (A=E00982) (A=E01161)	GASKET SET	1							N 1
7	2	119305-01340	GASKET, HEAD	1							
8	2	119305-01950	SHIM SET, ADJUSTING	1							
9	2	119660-01561	GASKET	1							
9-1	2	119660-01562 (A=E00982)	GASKET	1							N
10	2	24311-000320	O-RING, 1AP32.0	2							
11	2	121520-01850	GASKET	1							
11-1	2	121520-01851 (A=E00982)	GASKET	1							N
12	2	119305-03030	GASKET	1							
12-1	2	119305-03031 (A=E03745)	GASKET	1							N
13	2	119305-11310	GASKET, BONNET	1							
14	2	119260-11340	SEAL, VALVE STEM	4							
15	2	119600-11450	PROTECTOR, NOZZLE	2							
16	2	119600-11460	GASKET, NOZZLE	4							
17	2	119305-12160	GASKET, MANIFOLD	1							
18	2	124701-11910	GASKET, SILENCER	1							
18-1	2	124701-11911 (A=E01161)	GASKET, SILENCER	1							N
19	2	119305-13110	GASKET	1							
20	2	119260-42020	GASKET, WATER PUMP	1							
21	2	24321-000350	O-RING, 1AG35.0	1							
22	2	121420-01760	O-RING	1							W
23	1	977770-01212 (A=E00982)	GASKET, LIQUID	1							1

Remarks

(1) OPTIONAL PART.

N:Old  $\begin{matrix} \leftarrow \text{Yes} \\ \text{No} \end{matrix}$  New, Q:Old  $\begin{matrix} \leftarrow \text{No} \\ \text{Yes} \end{matrix}$  New, R:Old  $\begin{matrix} \leftarrow \text{Yes} \\ \text{Yes} \end{matrix}$  New, S:Old  $\begin{matrix} \leftarrow \text{No} \\ \text{No} \end{matrix}$  New, W:Add, Z:Discontinued, F:Interchangeable by set, K:Q'ty Change

## Parts No. Index

Parts No.	Fig. No.	Ref. No.
101304-59020	12	1
101720-55750	12	25
102103-55520	12	10
		21
104200-55321	12	6
		17
104200-55330	12	7
		18
104200-55341	12	19
104200-55750	12	14
		26
104200-59170	12	2
104200-92350	17	2
104514-42780	10	6
105010-11230	4	21
		24
105225-22400	8	10
105225-44790	15	21
105311-01090	1	3
105546-51330	11	8
106383-44720	15	17
106383-44730	15	18
110250-55610	12	11
		22
114250-11120	4	9
114250-11180	4	10
114250-11190	4	11
114250-53130	11	31
114250-53400	11	33
119225-35300	9	11
119225-42320	10	1 J
119225-51100	11	2
119225-51300	11	7
119225-52102	12	4
119225-77010	14	1
119225-77011	14	1 -1
119256-44740	10	8
119256-49530	10	10
119260-01200	1	20
119260-01510	2	2
119260-01590	2	11 A
119260-01600	3	2
119260-02020	1	8
119260-02410	1	11
119260-02800	1	9
119260-02880	1	23
119260-02930	1	10
119260-07900	4	1
119260-11100	4	7
119260-11110	4	8

Parts No.	Fig. No.	Ref. No.
119260-11260	4	27
119260-11270	4	28
119260-11280	4	29
119260-11340	4	12
	17	14
119260-11370	4	13
119260-11800	4	33
119260-14100	7	3
119260-14200	7	4
119260-14400	7	5
119260-22300	8	9
119260-23200	8	15
119260-23910	8	14
119260-25100	7	15
119260-25900	7	8
119260-32000	9	1
119260-42000	10	1
119260-42001	10	1 -1
119260-42020	10	2
	17	20
119260-49800	10	11
119260-59520	11	42
119260-59530	11	43
119260-59550	11	44
119270-22091	8	7
119270-22920	8	22
119270-22970	8	23
119285-01990	1	4
119285-11990	4	5
119285-61120	13	15
119285-61130	13	56
119285-61140	13	57
119285-61500	13	19
119285-66090	13	32
119305-01340	1	21
	17	7
119305-01760	3	16
119305-01950	2	15
	17	8
119305-03020	4	35
119305-03030	4	36
	17	12
119305-03031	4	36 -1
	17	12 -1
119305-11200	4	19
119305-11240	4	26
119305-11310	4	41
	17	13
119305-11350	4	34 -1
119305-12150	5	1

Parts No.	Fig. No.	Ref. No.
119305-12160	5	2
	17	17
119305-13100	6	1
119305-13110	6	2
	17	19
119305-14200	7	6
119305-14580	7	1
119305-21650	8	4
119305-35150	9	9
119305-51500	11	14
119305-51530	11	16
119305-59120	11	35
119305-59810	11	38
119305-59820	11	39
119305-66010	13	39
119305-77820	16	2
119332-01770	3	10 -1
119332-01771	3	10 -2
119332-12210	5	12 -1
119332-12220	5	15
119332-12221	5	15 -1
		15 -2
119332-12550	5	12
119332-13500	6	8
119332-13501	6	8 -1
119332-13550	6	9
119332-13551	6	9 -1
119332-21590	8	20
119332-34800	9	5
119332-34880	9	5 -1
119332-34890	9	4
119332-35080	9	10
119332-44500	10	17
119332-44740	10	8 -1
119332-49010	10	19
119332-49020	10	20
119332-59540	11	40
119332-77810	16	5
119332-92750	17	3
119332-92751	17	3 -1
119600-11450	4	31
	17	15
119600-11460	4	32
	17	16
119600-52021	2	28
119600-61200	13	5
119600-61520	13	22
119600-61540	13	24
119600-61650	13	25
119600-61900	13	30

Parts No.	Fig. No.	Ref. No.
119600-66530	13	43
119600-66720	13	54
119600-66840	13	49
119620-01620	3	6
119620-01750	3	4
119620-01800	2	13
119620-02450	1	12
	7	3 A
119620-11350	4	15
119620-21941	8	6
119620-25912	7	19
119620-42350	10	7
119620-51170	11	3
119620-51180	11	4
119620-51190	11	5
119620-51250	11	6
119620-51340	11	9
119620-51350	11	10
119620-51370	11	11
119620-51450	11	12
119620-51510	11	15
119620-51650	11	17
119620-51660	11	18
119620-51670	11	19
119620-51680	11	20
119620-51700	11	21
119620-53000	11	27
119620-53080	11	28
119620-53120	11	30
119620-53140	11	32
119620-59700	11	47
119621-21680	8	5
119632-55620	12	5
119640-61400	13	8
119640-66051	13	40
119642-59550	11	45
119642-59570	11	46
119650-59200	12	3
119656-66910	13	41
119660-01551	2	6
119660-01561	2	7
	17	9
119660-01562	2	7 -1
	17	9 -1
119660-01570	2	8
119660-01640	3	6 A
119660-01821	7	12
119660-01911	1	14
	2	14
119660-25022	1	16



## Parts No. Index

Parts No.	Fig. No.	Ref. No.
119660-25022	7	13
119660-25052	1	17
	7	14
119660-32020	9	2
119660-61013	13	14
119660-61051	13	2
119660-61052	13	2 -1
119660-61060	13	3
119660-61070	13	4
119660-61071	13	4 -1
119660-61300	13	6
119660-61341	13	7
119660-61460	13	16
119660-61491	13	18
119660-61512	13	21
119660-61901	13	31
119660-77330	15	22 -1
119660-77710	16	3
119663-77200	15	1
119810-55340	12	8
119840-59601	12	30
		30 -1
119840-61870	13	38
121023-01550	2	22
121111-21501	8	19
121120-01620	3	3
121250-49121	10	22
121250-55620	12	12
121254-55510	12	9
121257-55720	12	23
121257-55731	12	24
121400-01640	3	11
121420-01760	2	24 -1
	17	22
121450-01560	2	3
121450-42450	10	3
121450-49110	10	21
121450-61520	13	23
121450-77330	15	22
121465-12700	5	11
121520-01850	2	25
	17	11
121520-01851	2	25 -1
	17	11 -1
121520-01860	2	26
121550-49111	1	24
121575-66830	13	48
121850-11860	4	4
123682-44210	10	18 -1
124060-01050	1	2

Parts No.	Fig. No.	Ref. No.
124064-12680	5	9
124064-12690	5	10
124064-55510	12	20
124066-59100	11	41
	12	31
124085-02220	3	8
124160-01751	2	23
	4	39
124160-11360	4	43
124160-39450	9	8
124160-77020	14	23
124250-03640	13	1
124250-49351	10	15
124450-44590	10	18
124465-44950	10	4 -1
124550-55700	12	13
124550-59820	11	48
124550-66370	13	47
124701-11910	6	7
	17	18
124701-11911	6	7 -1
	17	18 -1
124772-66750	13	44
124950-21600	8	21
129100-01580	1	15
	3	1
	8	2
129100-61930	13	42
129107-13550	6	10
129150-35350	9	12
129150-49360	10	16
129150-59130	11	36
129150-59131	11	36 -1
129150-59580	12	32
129155-51280	13	13
129155-51580	11	34 -1
129155-61480	13	17
129155-61590	13	55
129155-61830	11	34
129155-77801	16	1
129335-55700	12	16
129400-92400	17	1
135210-61090	13	46
171033-12500	5	5
171033-12510	5	6
171033-12540	5	7
171033-12560	5	8
171056-49120	1	24 -1
171081-55910	12	27
171126-12580	5	13

Parts No.	Fig. No.	Ref. No.
171301-77720	16	4
174307-51460	11	13
174307-51700	13	20
194990-22050	2	4
	13	37
22117-040000	13	26
22137-040000	11	22
22190-060003	13	53 -1
22190-120002	13	45 -1
22212-100000	15	19
22217-040000	11	23
22217-050000	4	37
22242-000100	4	30
22242-000200	1	18
	7	16
22272-000040	13	27
22322-030160	13	33
22351-020004	13	28
22351-030012	8	18
22351-030014	13	29
22351-040010	2	5
	13	9
22351-060012	4	14
22360-040000	13	34
22360-060000	13	10
22451-060000	13	50
22512-040120	7	2
		7
	8	3
23000-060000	5	14
		14 -1
23010-038000	10	24
23065-120500	4	44
23414-080012	11	49
23414-140000	11	50
23414-160021	10	4
23418-060000	12	28
23871-020000	4	4 -1
24101-062034	7	18
24102-063034	7	9
24311-000120	2	16
	4	42
	9	6
24311-000160	10	23
24311-000180	3	12
24311-000320	2	24
		24 -2
	4	40
	17	10
24311-240100	12	15

Parts No.	Fig. No.	Ref. No.
24311-240100	12	29
24321-000350	10	12
	17	21
24341-000070	13	35
24341-000240	2	27 -1
24341-000260	2	27
26013-060202	9	3
26014-060142	10	9
26014-060202	2	29
26014-080252	15	23
26022-040082	11	24
26022-040252	15	6
26102-060122	1	19
26106-060102	3	13 -1
	13	36
26106-060122	1	13
		19 -1
	7	17
	9	7
26106-060162	2	10
		17
	5	3
	7	10
	10	13
26106-060182	2	11
26106-060202	3	13
26106-060222	3	9
26106-060282	5	4
26106-060302	2	18
26106-060402	2	19
	6	3
26106-060452	3	14
		14 -1
26106-060502	2	20
26106-060552	3	15
	10	14
26106-060652	2	21
26106-060702	13	11
26106-080142	4	2
26106-080162	15	25
26106-080452	10	5
26106-100252	14	22
26106-100402	15	24
26116-050102	13	12
26116-060304	13	51
26206-100252	3	5
26216-060402	4	17
	6	4
26216-080222	6	5
26366-060002	2	9

## Parts No. Index

Parts No.	Fig. No.	Ref. No.
26366-060002	4	18
	6	6
26366-080002	4	16
26450-060202	9	3 -1
26557-050102	4	38
26587-040102	11	25
26587-080102	7	11
26716-100002	15	20
26756-060002	4	22
		25
	13	52
27221-050080	4	6
27221-060100	1	5
27231-400000	1	6
27241-100000	1	7
27241-250000	1	4 -1
27241-300000	1	3 -1
28110-100120	17	4
28110-140170	17	5
43400-500400	13	53
43400-500450	13	45
719260-02870	1	22
719260-11650	4	20
719260-11660	4	23
719260-23100	8	13
719260-23600	8	16
719260-23610	8	17
719270-22501	8	8
719270-22541	8	12
719270-22821	8	11
719305-01600	2	1
719305-21710	8	1 -1
719305-51100	11	1
719332-01750	3	10
719385-01560	1	1
719385-11520	4	34
719385-11700	4	3
719385-21700	8	1
719385-92600	17	6
719385-92601	17	6 -1
719385-92602	17	6 -2
719620-53100	11	26 -1
719620-53700	11	26
977770-01212	17	23
X2114275070	14	2
X2114283500	14	3
X2114430010	14	4
X2114455040	14	6
X2114531200	14	7
X2114535200	14	5

Parts No.	Fig. No.	Ref. No.
X2114535200	14	17
X2114586700	14	8
X2114660130	14	9
X2114680050	14	10
X2114710080	14	11
X2114715500	14	12
X2114780060	14	13
X2114811000	14	14
X2114821500	14	15
X2114831300	14	20
X2114866060	14	16
X2114921040	14	18
X2114931400	14	21
X2114990010	14	19
XM17878	15	9
XM27436	15	5
XM36410	15	8
XM82099	15	10
XM91967	15	2
XM91968	15	3
XM91969	15	4
XYSPS4008	15	7

Parts No.	Fig. No.	Ref. No.
-----------	----------	----------

Parts No.	Fig. No.	Ref. No.
-----------	----------	----------