

OCD10-M27603EN

# PREFACE

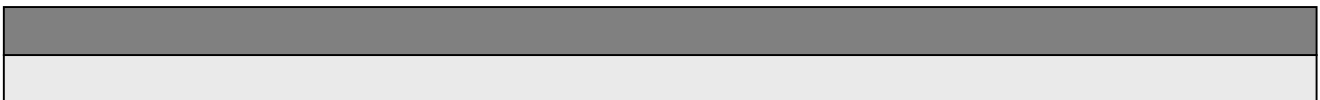
1. This Parts Catalog is the 1st edition of 3TN66L-UT Diesel Engine for TOYOTA.

Pub. No. : 000Y00D2763

Published : July, 1992

2. Model name

Engine model	Vehicle		Vehicle made by
	Products	Model name	
3TN66L-UT	—	—	TOYOTA



## Directions for the Parts Catalog.

1. This Parts Catalog shows both standard and optional parts.
2. Parts may change without prior notice.
3. The following is an example of the Parts Catalog format.

REF.	LEV.	PARTS NO.	DESCRIPTION	Q'TY						I	R
				(A)	(B)	(C)	(D)	(E)	(F)		
1	1	729595-51390	FUEL INJECTION PUMP	1	1	1	1	1			1
1-1	1	729595-51391	FUEL INJECTION PUMP	1	1	1	1	1		N	1
		(A=E00185) (B=E00200)									
3	2	26022-060162	SCREW M 6X 16	9	9	9	9	9			
3-1	2	26022-060162	SCREW M 6X 16	4	4	4	4	4		K	
		(A=E00156) (B=E00156) (C=E00156) (D=E00156) (E=E00156)									
4	2	129470-51040	CAMSHAFT	1	1	1	1	1			
5	2	122710-51050	BEARING, ROLLER	2	2	2	2	2			
6	2	129470-51060	RETAINER	1	1	1	1	1			

Remarks
(1) BOOST COMPEMSATOR TYPE. OPTIONAL PART, TO E00155,(4JH-DT, 4JH-DTZ

### ① Ref. No.

The Ref. No. listed may not be in accordance with the illustration Ref. No.

(Ex.) Illustration No.

List Ref No.

1

1

(Before change) → 1-1 (After change)

For interchangeable symbols N, R and K, illustrations for new parts may be abbreviated.

### ② Lev. (Level)

Level indication

The numbers below indicate the level of relativity towards the main part.

1 ----- Main parts (Assembly parts)

2 ----- Sub component included in " 1 ".

3 ----- Sub component included in " 2 ".

Note) Parts that are not for sale are partially illustrated but not listed.

### ③ Interchangeability Symbol

When a part change takes place, one of the following interchangeability symbols is indicated beside the part.

Symbol	Interchangeability	Contents note
N	Old $\begin{matrix} \leftarrow \text{Yes} \\ \text{No} \rightarrow \end{matrix}$ New	New Part is interchangeable for Old Part but Old Part is not interchangeable for New Part.
Q	Old $\begin{matrix} \leftarrow \text{No} \\ \text{Yes} \rightarrow \end{matrix}$ New	New Part is not interchangeable for Old Part but Old Part is interchangeable for New Part.
R	Old $\begin{matrix} \leftarrow \text{Yes} \\ \text{Yes} \rightarrow \end{matrix}$ New	New/ Old Parts are both interchangeable.
S	Old $\begin{matrix} \leftarrow \text{No} \\ \text{No} \rightarrow \end{matrix}$ New	New/ Old Parts are both not interchangeable.
W		Part newly added.
Z		Part discontinued.
F		Not interchangeable by a single part but interchangeable together with related parts.
K		Changes only for used parts quantities.

### ④ Effective Machine No.

When a part changes, the effective Machine No. will be indicated in the (A)-(F) column.

Product Symbol	Product No.	Product Symbol	Product No.
C	Clutch No. Compressor No.	F	Machine No. (Agricultural Equip.)
D	Drive No.	M	Machine No.
E	Engine No.		

Note 1) A date may follow the symbol. (Ex.) 1996.01

Note 2) "XXXXX" and "ZZZZZ" are for parts that could not be predicted or for engine models that could not be identified.

Note 3) (A=E00185) is the E (Engine Serial Number) for the column (A) model (in this case 4JH-DT) after the parts design change.

### ⑤ Remarks

Figures or alphabets (symbols) are entered in the remarks column.

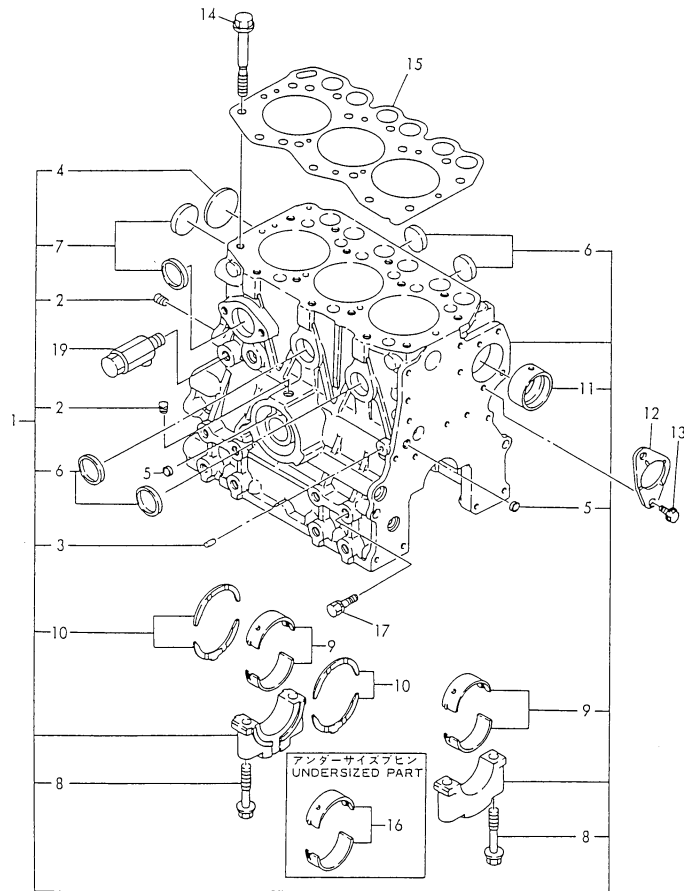
The comments (remarks) on parts that are indicated at the bottom of the illustration are the same symbols as those stated above.

# Contents

Fig. No.	Fig. Name	Fig. No.	Fig. Name
ENGINE 3TN66L-UT			
1.	CYLINDER BLOCK		
2.	GEAR HOUSING		
3.	MOUNTING FLANGE		
4.	LUB.OIL SUMP		
5.	BONNET		
6.	CYLINDER HEAD		
7.	SUCTION & EXHAUST MANIFOLD		
8.	CAMSHAFT & IDLE GEAR		
9.	CRANKSHAFT & FLYWHEEL		
10.	PISTON & CONNECTING ROD		
11.	LUB.OIL SYSTEM		
12.	COOLING WATER SYSTEM		
13.	FUEL INJECTION DEVICE		
14.	FUEL LINE		
15.	GOVERNOR		
16.	STARTING MOTOR(12V-1.4KW)		
17.	GENERATOR		
18.	GLOW PLUG		
19.	GASKET SET		
20.	SPECIAL TOOL(OPTIONAL)		

# Fig.1. CYLINDER BLOCK

D19270-01100  
 D19260-02100  
 D19260-02210  
 D19520-49300  
 D19244-99100



(A)=3TN66L-UT  
 (B)=  
 (C)=

(D)=  
 (E)=  
 (F)=

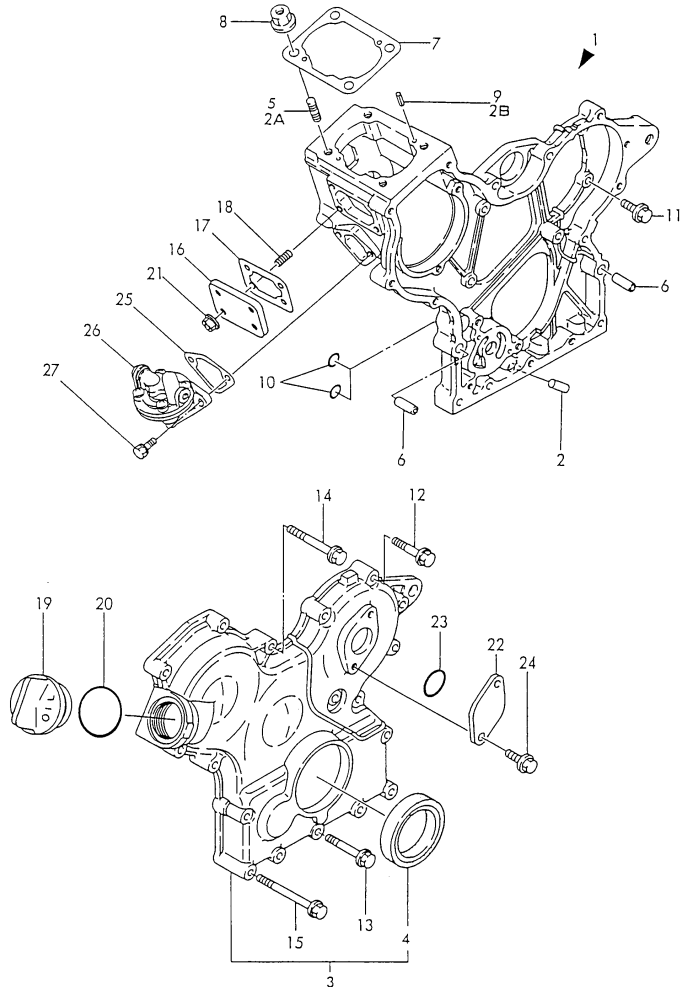
No.	Lev.	Parts No.	Description	Q'ty						I	R
				(A)	(B)	(C)	(D)	(E)	(F)		
1	1	719270-01560	BLOCK ASSY, CYLINDER	1							
2	2	124060-01050	PLUG, PT1/8	2							
3	2	27221-060100	PLUG, 6X10	1							
4	2	27231-400000	PLUG 40	1							
5	2	27241-100000	PLUG, 10	2							
6	2	27241-250000	PLUG, 25	4							
7	2	27241-300000	PLUG 30	2							
8	2	119260-02020	BOLT, METAL CAP	8							
9	2	119260-02800	BEARING, MAIN	4							
10	2	119260-02930	BEARING, THRUST	2							
11	2	119260-02410	BUSH, CAMSHAFT	1							
12	1	119620-02450	BEARING, THRUST	1							Z
(A=EXXX)											
13	1	26106-060122	BOLT, M6X 12 PLATED	2							
14	1	119260-01200	BOLT, HEAD	14							
15	1	119255-01340	GASKET, HEAD	1							\$
16	1	119260-02870	BEARING, 0.25 US	4							1
17	1	26013-100202	BOLT, M10X 20	6							
17-1	1	26013-100202	BOLT, M10X 20	8							K
(A=FROM 1ST)											
18	1	26014-100252	BOLT, M10X 25	2							Z
(A=FROM 1ST)											
19	1	119620-49290	COCK ASSY, 1/4	1							W
(A=FROM 1ST)											

**Remarks**

(1) UNDER-SIZE(U.S=0.25)PART.  
 (\$) THESE PARTS ARE SOLD BY FIG.19,  
 REF.NO.1,1-1,1-2,1-3,26,26-1,  
 26-2.

Fig.2. GEAR HOUSING

D19244-01200  
 D19600-01320  
 D19600-01800  
 719244-51300



(A)=3TN66L-UT  
 (B)=  
 (C)=

(D)=  
 (E)=  
 (F)=

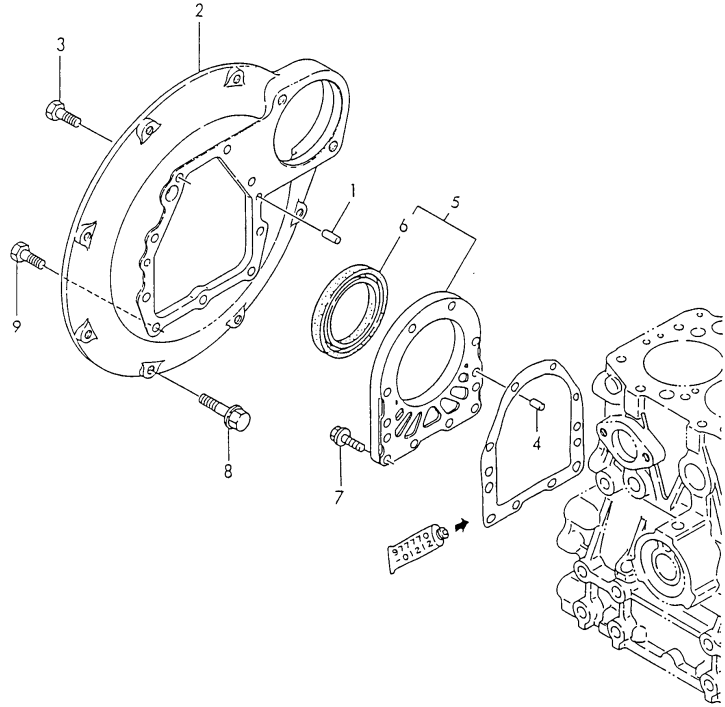
No.	Lev.	Parts No.	Description	Q'ty						I	R
				(A)	(B)	(C)	(D)	(E)	(F)		
1	1	119260-01490 (A=E11675)	CASE ASSY, GEAR	1							W
2	2	119260-01510	PLUG	1							
2A	2	121450-01560 (A=E11675)	STUD, M8X22	4							W
2B	2	22351-040010 (A=E11675)	PIN, SPRING 4.0X10	2							W
3	1	119260-01590 (A=E24680)	COVER ASSY, GEAR CASE	1							W
4	2	119620-01800	SEAL, OIL	1							
5	1	121450-01560 (A=E11675)	STUD, M8X22	4							Z
6	1	119660-01911	PIPE, KNOCK	4							
7	1	119620-01950	SHIM SET, ADJUSTING	1							
8	1	194990-22050	NUT, M8	4							
9	1	22351-040010 (A=E11675)	PIN, SPRING 4.0X10	2							Z
10	1	24311-000120	O-RING, 1AP12.0	2							\$
11	1	26106-060162	BOLT, M6X 16 PLATED	5							
12	1	26106-060352	BOLT, M6X 35 PLATED	5							
12-1	1	26106-060352	BOLT, M6X 35 PLATED	1							K
		(A=E11675)									
13	1	26106-060402	BOLT, M6X 40 PLATED	3							
14	1	26106-060502	BOLT, M6X 50 PLATED	4							
15	1	26106-060652	BOLT, M6X 65 PLATED	6							
16	1	119660-01551	COVER	1							\$
17	1	119660-01561	GASKET	1							
17-1	1	119660-01562 (A=E24680)	GASKET	1							R \$
18	1	119660-01570	STUD, M6X12	4							
19	1	124160-01751	COVER, FILLER	1							
20	1	121420-01760	O-RING	1							\$
20-1	1	24311-000320 (A=E15942)	O-RING, 1AP32.0	1							N \$
21	1	26366-060002	NUT, M6	4							
22	1	121023-01550	COVER	1							
23	1	24341-000260	O-RING, 1AS26.0	1							\$
23-1	1	24341-000240 (A=E18615)	O-RING, 1AS24.0	1							S \$
24	1	26106-060182	BOLT, M6X 18 PLATED	2							
25	1	121520-01850	GASKET	1							\$
25-1	1	121520-01851 (A=E24680)	GASKET	1							R \$
26	1	119600-52021	PUMP ASSY, FUEL FEED	1							
27	1	26014-060202	BOLT, M6X 20	2							

Remarks

(1) THESE PARTS ARE SOLD BY FIG.19,  
 REF.NO.1,1-1,1-2,1-3,26,26-1,  
 26-2.

Fig.3. MOUNTING FLANGE

019645-01400  
 019600-01500  
 019244-99100



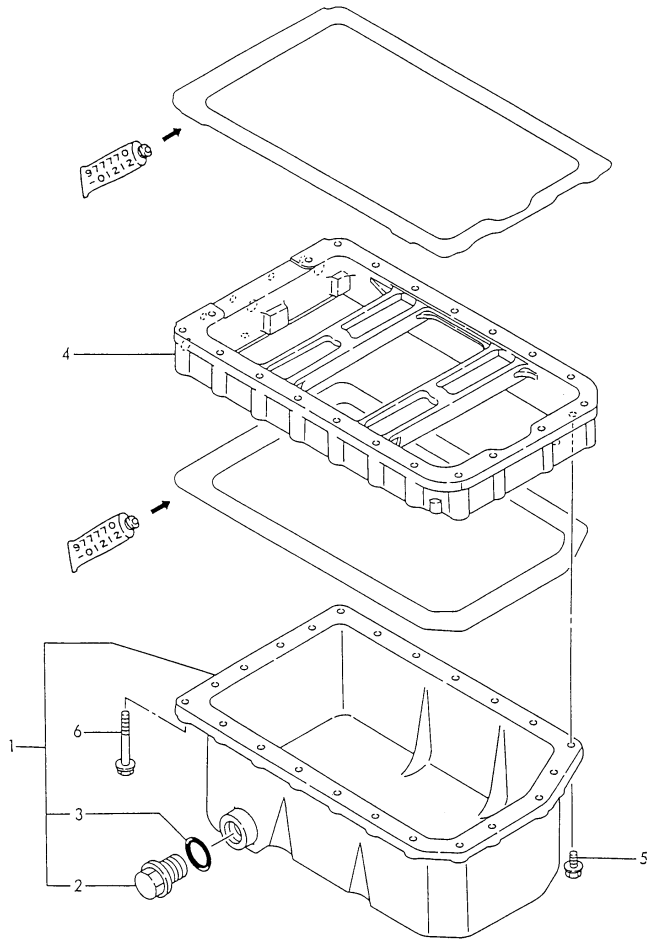
(A)=3TN66L-UT  
 (B)=  
 (C)=

(D)=  
 (E)=  
 (F)=

No.	Lev.	Parts No.	Description	Qty						I	R
				(A)	(B)	(C)	(D)	(E)	(F)		
1	1	129100-01580	PIN, M8X16	2							
2	1	119645-01600	FLANGE, MOUNTING	1							
3	1	26116-100252	BOLT, M10X 25 PLATED	9							
3-1	1	26206-100252 (A=E28041)	BOLT, M10X 25 PLATED	6							K
4	1	119620-01620	PIN, M6X10	2							
5	1	119660-01640 (A=E24680)	CASE ASSY, OIL SEAL	1							W
6	2	124085-02220	SEAL, OIL	1							
7	1	26106-060222	BOLT, M6X 22 PLATED	10							
8	1	26106-100852 (A=FROM 1ST)	BOLT, M10X 85 PLATED	7							W
9	1	121120-01620 (A=E28041)	BOLT, M10X28	3							W

Fig.4. LUB.OIL SUMP

019260-01710



(A)=3TN66L-UT

(B)=

(C)=

(D)=

(E)=

(F)=

No.	Lev.	Parts No.	Description	Q'ty						I	R
				(A)	(B)	(C)	(D)	(E)	(F)		
1	1	719288-01540	SUMP ASSY, OIL	1							
1-1	1	119260-01770	SUMP ASSY, OIL	1							N
(A=*1990.)											
2	2	121400-01640	PLUG, 16	1							
3	2	24311-000180	O-RING, 1AP18.0	1							\$
4	1	119454-01721	SPACER, OIL SUMP	1							
5	1	26106-060102	BOLT, M6X 10 PLATED	3							
6	1	26106-060452	BOLT, M6X 45 PLATED	20							

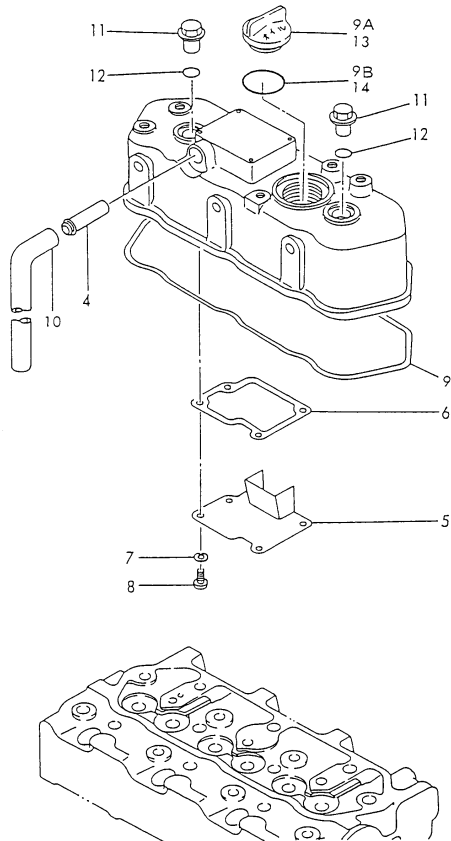
Remarks

(\$) THESE PARTS ARE SOLD BY FIG.19,  
REF.NO.1,1-1,1-2,1-3,26,26-1,  
26-2.



Fig.5. BONNET

019644-03110  
019260-11330

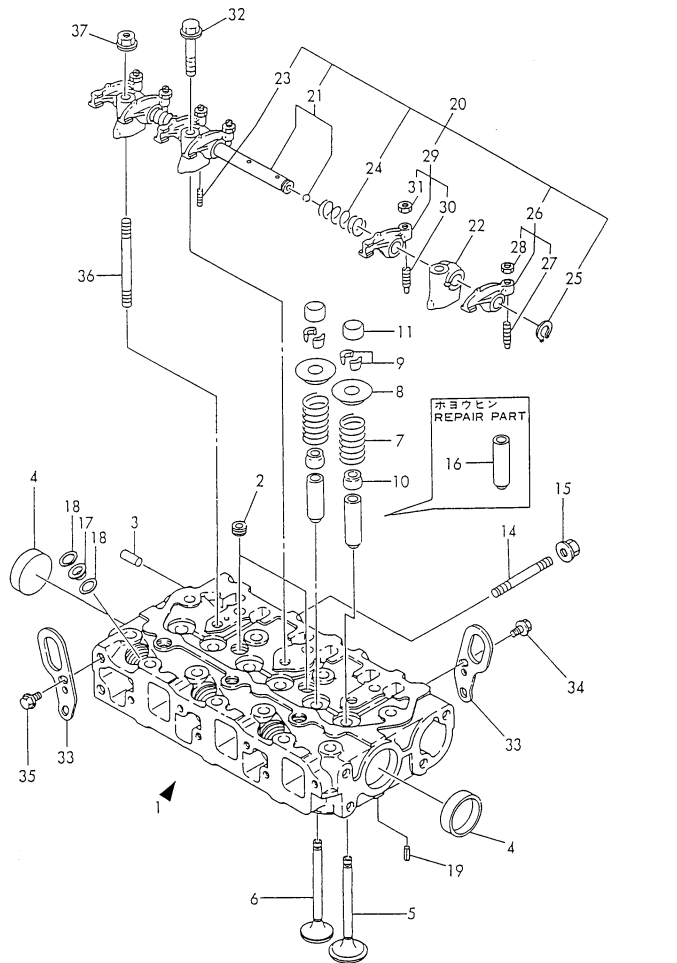


No.	Lev.	Parts No.	Description	Q'ty						I	R
				(A)	(B)	(C)	(D)	(E)	(F)		
1	1	719260-11521	BONNET ASSY, HEAD	1							
1-1	1	119260-11330 (A=E24680)	BONNET ASSY, HEAD	1							N
2	2	124160-01751 (A=FROM 1ST)	COVER, FILLER	1							Z
3	2	121420-01760 (A=FROM 1ST)	O-RING	1							Z
4	2	119620-11390	JOINT	1							
5	2	119260-03020	PLATE, SHELTER	1							
6	2	119260-03030	GASKET	1							\$
6-1	2	119260-03031 (A=E24680)	GASKET	1							N \$
7	2	22217-050000	WASHER, SPRING 5	4							
8	2	26557-050102	SCREW, M5X10	4							
9	2	119260-11310	GASKET, BONNET	1							\$
9A	2	124160-01751 (A=E24680)	COVER, FILLER	1							W
9B	2	24311-000320 (A=E24680)	O-RING, 1AP32.0	1							W
10	1	119244-03200	PIPE , BREATHER	1							
11	1	124160-11360	KNOB	1							
11-1	1	124160-11360 (A=FROM 1ST)	KNOB	2							K
12	1	24311-000120	O-RING, 1AP12.0	2							\$
13	1	124160-01751 (A=FROM 1ST)	COVER, FILLER	1							W
13-1	1	124160-01751 (A=E24680)	COVER, FILLER	1							Z
14	1	121420-01760 (A=FROM 1ST)	O-RING	1							W \$
14-1	1	24311-000320 (A=E15942)	O-RING, 1AP32.0	1							N \$
14-2	1	24311-000320 (A=E24680)	O-RING, 1AP32.0	1							Z

Remarks

(\$ ) THESE PARTS ARE SOLD BY FIG.19,  
REF.NO.1,1-1,1-2,1-3,26,26-1,  
26-2.

Fig.6. CYLINDER HEAD



019500-07300  
019260-11100  
019260-11200

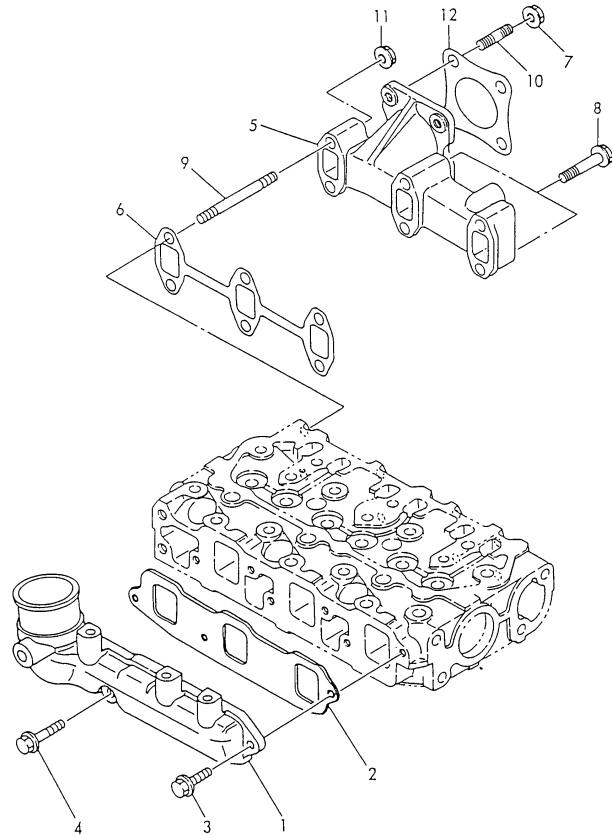
No.	Lev.	Parts No.	Description	Qty						I	R
				(A)	(B)	(C)	(D)	(E)	(F)		
1	1	719260-11700	HEAD ASSY, CYLINDER	1							
2	2	121850-11860	PLUG, PT1/4	2							
2-1	2	23871-020000	PLUG, R02	2							N
(A=E27272)											
3	2	27221-050080	PLUG, 5X 8	1							
4	2	27241-350000	PLUG, 35	2							
5	2	119260-11100	VALVE, INTAKE	3							
6	2	119260-11110	VALVE, EXHAUST	3							
7	2	114250-11120	SPRING, VALVE	6							
8	2	114250-11180	RETAINER, SPRING	6							
9	2	114250-11190	COTTER	6							
9-1	2	714250-11570	COTTER ASSY	3							K
(A=FROM 1ST)											
10	2	119260-11340	SEAL, VALVE STEM	6							\$
11	2	119260-11370	CAP, VALVE	6							
12	2	119620-11350	STUD	2							Z
(A=FROM 1ST)											
13	2	26366-080002	NUT, M8	2							Z
(A=FROM 1ST)											
14	2	26216-060402	STUD, M6X 40	2							Z 2
(A=EXXX)											
15	2	26366-060002	NUT, M6	2							Z 2
(A=EXXX)											
16	1	119260-11800	GUIDE, VALVE	6							1
17	1	119600-11450	PROTECTOR, NOZZLE	3							\$
18	1	119600-11460	GASKET, NOZZLE	6							\$
19	1	22351-060012	PIN, SPRING 6.0X12	2							
20	1	119260-11200	SUPPORT ASSY, ARM	1							
21	2	119260-11240	SHAFT ASSY, ROCKER	1							
22	2	119260-11260	SUPPORT, ROCKER ARM	3							
23	2	119260-11270	SCREW	1							
24	2	119260-11280	SPRING	2							
25	2	22242-000100	RING, 10	2							
26	2	719260-11650	ARM ASSY, ROCKER	3							
27	3	105010-11230	SCREW, VALVE ADJUST	3							
28	3	26756-060002	NUT, LOCK M6	3							
29	2	719260-11660	ARM ASSY, ROCKER	3							
30	3	105010-11230	SCREW, VALVE ADJUST	3							
31	3	26756-060002	NUT, LOCK M6	3							
32	1	26106-080452	BOLT, M8X 45 PLATED	1							
33	1	119260-07900	LIFTER	2							
34	1	26106-080142	BOLT, M8X 14 PLATED	1							
35	1	26106-080142	BOLT, M8X 14 PLATED	2							
36	1	119620-11350	STUD	2							W
(A=FROM 1ST)											
37	1	26366-080002	NUT, M8	2							W
(A=FROM 1ST)											

Remarks

(1) REPAIR PART.  
(\$ ) THESE PARTS ARE SOLD BY FIG.19,  
REF.NO.1,1-1,1-2,1-3,26,26-1,  
26-2.

# Fig.7. SUCTION & EXHAUST MANIFOLD

D19260-12200  
 D19458-13200TK  
 D19244-89100



(A)=3TN66L-UT  
 (B)=  
 (C)=

(D)=  
 (E)=  
 (F)=

No.	Lev.	Parts No.	Description	Q'ty						I	R
				(A)	(B)	(C)	(D)	(E)	(F)		
1	1	119270-12100	MANIFOLD, AIR INTAKE	1							
2	1	119270-12110	GASKET, MANIFOLD	1							\$
3	1	26106-060162	BOLT, M6X 16 PLATED	2							
4	1	26106-060282	BOLT, M6X 28 PLATED	1							
5	1	119260-13100	MANIFOLD, EXHAUST	1							
6	1	119260-13110	GASKET	1							\$
7	1	194990-22050	NUT, M8	4							
8	1	26106-060352	BOLT, M6X 35 PLATED	4							
9	1	26216-060402	STUD, M6X 40	2							
10	1	26216-080222	STUD, M8X 22	4							
11	1	26366-060002	NUT, M6	2							
12	1	121000-13200	GASKET, SILENCER	1							\$
12-1	1	121000-13201	GASKET, SILENCER	1						N	\$

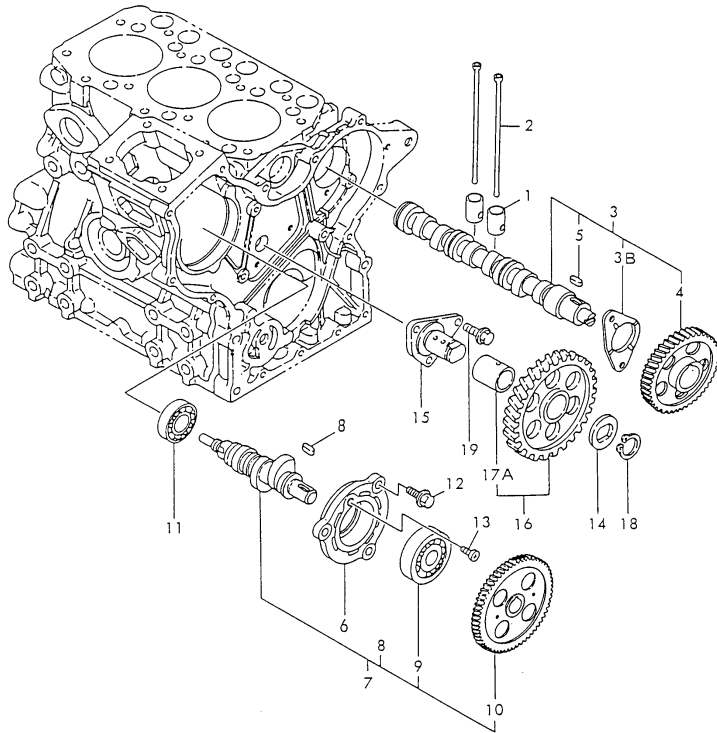
(A=\*1992.01)

Remarks

(\$ ) THESE PARTS ARE SOLD BY FIG.19,  
 REF.NO.1,1-1,1-2,1-3,26,26-1,  
 26-2.

# Fig.8. CAMSHAFT & IDLE GEAR

019260-14110  
 019260-25100  
 719244-51300



(A)=3TN66L-UT

(B)=

(C)=

(D)=

(E)=

(F)=

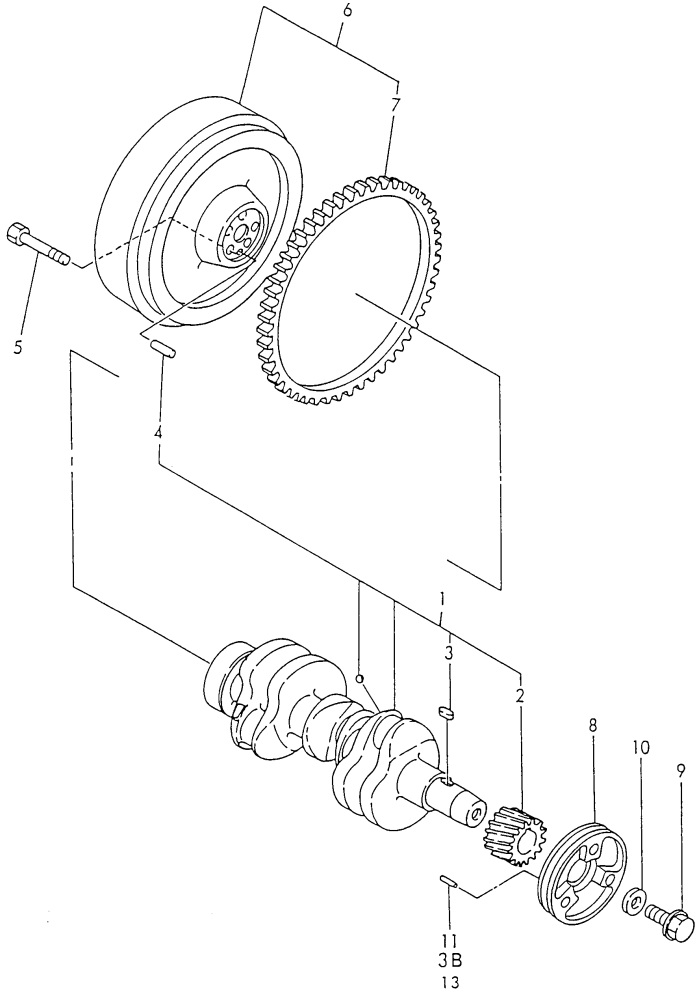
No.	Lev.	Parts No.	Description	Q'ty						I	R
				(A)	(B)	(C)	(D)	(E)	(F)		
1	1	119260-14200	TAPPET	6							
2	1	119260-14400	ROD, PUSH	6							
3	1	119260-14580	CAMSHAFT ASSY	1							W
(A=EXXX)											
3B	2	119620-02450	BEARING, THRUST	1							W
(A=EXXX)											
4	2	119260-14100	GEAR, CAMSHAFT	1							
5	2	22512-040120	KEY, 4X 12	1							
6	1	119660-01821	BEARING, FUEL CAM	1							
7	1	119225-14200	CAM ASSY	1							W
(A=EXXX)											
8	2	22512-040120	KEY, 4X 12	1							
9	2	24102-063034	BEARING, BALL 6303U	1							
10	2	119260-25900	GEAR, PUMP	1							
11	1	24101-062034	BEARING, BALL 6203	1							
12	1	26106-060162	BOLT, M6X 16 PLATED	3							
13	1	26587-080102	SCREW, M8X10	1							
14	1	119660-25022	RETAINER	1							
15	1	119660-25052	SHAFT, IDLE	1							
16	1	119260-25100	GEAR ASSY, IDLE	1							
17A	2	119620-25912	BUSH	1							W 1
(A=FROM 1ST)											
18	1	22242-000200	RING, 20	1							
19	1	26106-060122	BOLT, M6X 12 PLATED	3							

Remarks

(1) REPAIR PART.

# Fig.9. CRANKSHAFT & FLYWHEEL

019244-21100  
 019244-21300  
 019644-21200



(A)=3TN66L-UT  
 (B)=  
 (C)=

(D)=  
 (E)=  
 (F)=

No.	Lev.	Parts No.	Description	Q'ty						I	R
				(A)	(B)	(C)	(D)	(E)	(F)		
1	1	719260-21700	CRANKSHAFT ASSY	1							
2	2	119260-21200	GEAR, CRANKSHAFT	1							
3	2	22512-040120	KEY, 4X 12	1							
3B	2	22351-030012	PIN, SPRING 3.0X12	1							W
(A=FROM 1ST)											
3B-1	2	22351-030012	PIN, SPRING 3.0X12	1							Z
(A=E17539)											
4	2	129100-01580	PIN, M8X16	1							
5	1	119620-21500	BOLT, FLYWHEEL	5							
5-1	1	121111-21501	BOLT, FLYWHEEL	5							N
(A=E17539)											
6	1	119644-21590	FLYWHEEL ASSY	1							
7	2	119865-21600	GEAR, RING	1							
8	1	119244-21650	V-PULLEY	1							
9	1	119621-21680	BOLT, FLANGE 12X1.25	1							
10	1	119620-21941	WASHER	1							
11	1	22351-030012	PIN, SPRING 3.0X12	1							Z
(A=FROM 1ST)											
12	1	26106-100852	BOLT, M10X 85 PLATED	7							Z
(A=FROM 1ST)											
13	1	22351-030012	PIN, SPRING 3.0X12	1							W
(A=*1990.)											

Fig.10. PISTON & CONNECTING ROD

(A)=3TN66L-UT

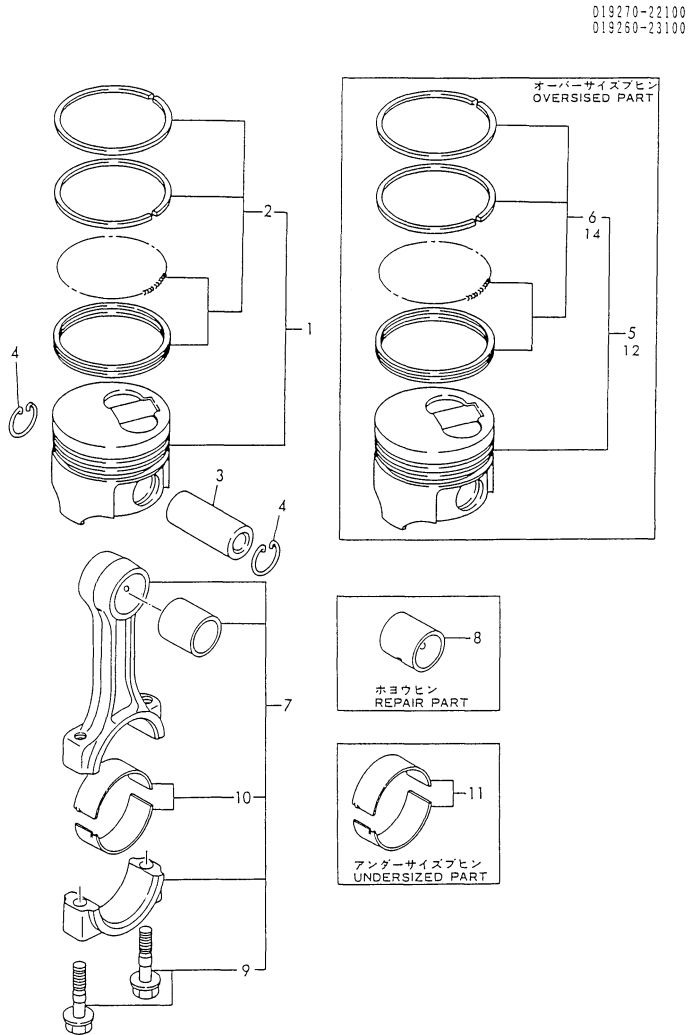
(B)=

(C)=

(D)=

(E)=

(F)=



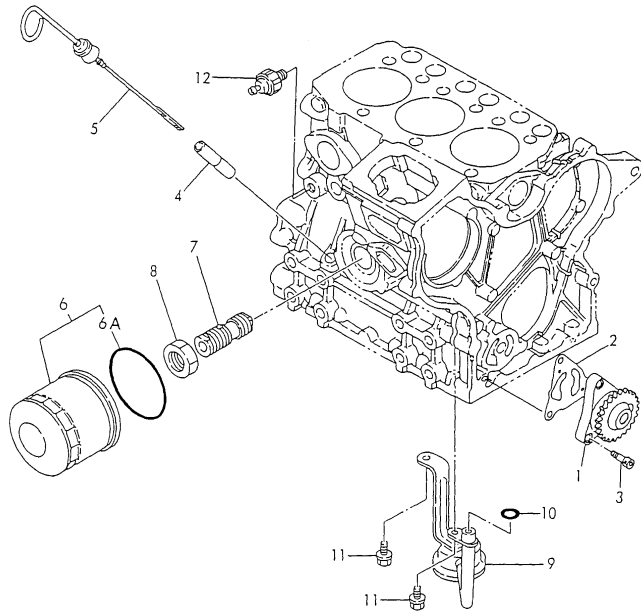
No.	Lev.	Parts No.	Description	Q'ty						I	R
				(A)	(B)	(C)	(D)	(E)	(F)		
1	1	119270-22090	PISTON ASSY	3							
1-1	1	119270-22091	PISTON ASSY	3							N
(A=E10641)											
2	2	719270-22500	RING SET, PISTON	3							
2-1	2	719270-22501	RING SET, PISTON	3							N
(A=E10641)											
3	1	119260-22300	PIN, PISTON	3							
4	1	105225-22400	CIRCLIP	6							
5	1	719270-22820	PISTON ASSY, 0.25 OS	3							1
6	2	719270-22540	RING SET, 0.25 OS	3							1
6-1	2	719270-22541	RING SET, 0.25 OS	3							N 1
(A=E10641)											
7	1	719260-23100	ROD ASSY, CONNECTING	3							
8	2	119260-23910	BEARING, PISTON PIN	3							2
9	2	119260-23200	BOLT, CONNECTING ROD	6							
10	2	719260-23600	BEARING, CRANK PIN	3							
11	1	719260-23610	BEARING ASSY, 0.25	3							3
12	1	119270-22920	PISTON ASSY, 0.50 OS	3							W 4
(A=E10641)											
14	2	119270-22970	RING SET, 0.50 OS	3							W 4
(A=E10641)											

Remarks

- (1) OVER-SIZE(O.S=0.25)PART.
- (2) REPAIR PART.
- (3) UNDER-SIZE(U.S=0.25)PART.
- (4) OVER-SIZE(O.S=0.50)PART.

# Fig.11. LUB.OIL SYSTEM

D19260-32100  
 D19600-34100  
 D19260-35100  
 D19260-35220  
 D19600-39100



(A)=3TN66L-UT

(B)=

(C)=

(D)=

(E)=

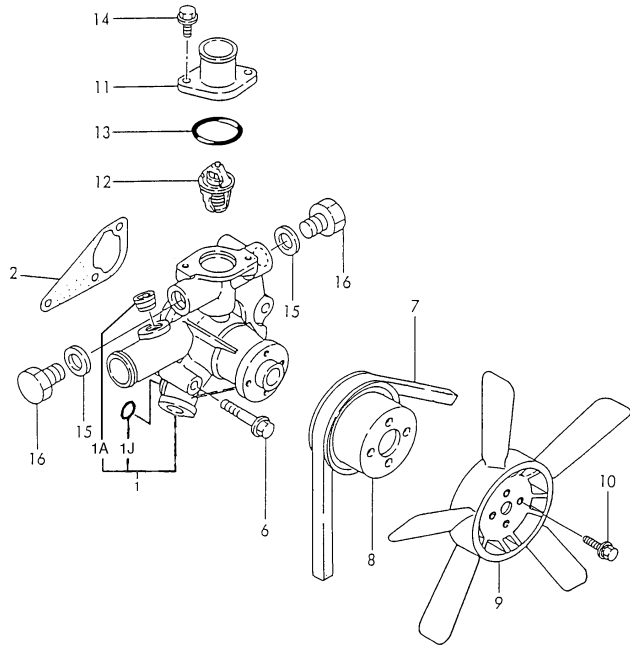
(F)=

No.	Lev.	Parts No.	Description	Q'ty						I	R
				(A)	(B)	(C)	(D)	(E)	(F)		
1	1	119260-32000	PUMP ASSY, OIL	1							
2	1	119660-32020	GASKET, PUMP	1							\$
3	1	26013-060202	BOLT, M6X 20	3							
3-1	1	26450-060202	BOLT, M6X 20	3							R
		(A=E27272)									
4	1	121520-34810	GUIDE, DIPSTICK	1							
5	1	119600-34820	DIPSTICK, OIL	1							
6	1	119305-35150	FILTER, OIL	1							
6-1	1	119660-35150	FILTER, LUB. OIL	1							N
		(A=FROM 1ST)									
6-2	1	119305-35151	FILTER ASSY, D68XL65	1							N 1
		(A=EXXXXX)									
6A	2	124450-35110	O-RING	1							Z \$
		(A=EXXXXX)									
7	1	119225-35300	VALVE ASSY	1							
8	1	129150-35350	NUT	1							
9	1	119260-35081	PIPE, OIL INLET	1							
10	1	24311-000120	O-RING, 1AP12.0	1							\$
11	1	26106-060122	BOLT, M6X 12 PLATED	2							
12	1	124160-39450	SWITCH, 0.5KG	1							

**Remarks**

(\$) These parts are sold by fig.19,  
 Ref.No.1,1-1,1-2,1-3,26,26-1,  
 26-2.  
 (1)O-ring is integrated type.  
 (integrated to the LO.filter)

Fig.12. COOLING WATER SYSTEM



発行 No. 000Y0002763-1  
更新年月: 2007.02  
REVISED: Febru. 2007

(A)=3TN66L-UT  
(B)=  
(C)=

(D)=  
(E)=  
(F)=

No.	Lev.	Parts No.	Description	Q'ty						I	R
				(A)	(B)	(C)	(D)	(E)	(F)		
1	1	119244-42000	PUMP ASSY, WATER	1							
1A	2	23871-030000	PLUG, R03	1							W
(A=FROM 1ST)											
1J	2	119225-42320	O-RING	1							
2	1	119260-42020	GASKET, WATER PUMP	1							\$
6	1	26106-080452	BOLT, M8X 45 PLATED	3							
7	1	119650-42291	V-BELT, 35	1							
8	1	119620-42350	V-PULLEY	1							
9	1	121023-44740	FAN, COOLING	1							
10	1	26014-060352	BOLT, M6X 35	4							
11	1	119260-49530	COVER, THERMOSTAT	1							
12	1	119260-49800	THERMOSTAT, 71	1							
13	1	24321-000350	O-RING, 1AG35.0	1							\$
14	1	26106-060182	BOLT, M6X 18 PLATED	2							
15	1	23414-160000	GASKET, 16X1.0	1							
15-1	1	124465-44950	GASKET, 16	2							N \$
(A=FROM 1ST)											
16	1	23887-160002	PLUG, 16	1							
16-1	1	121450-42450	PLUG, M16	2							N
(A=FROM 1ST)											

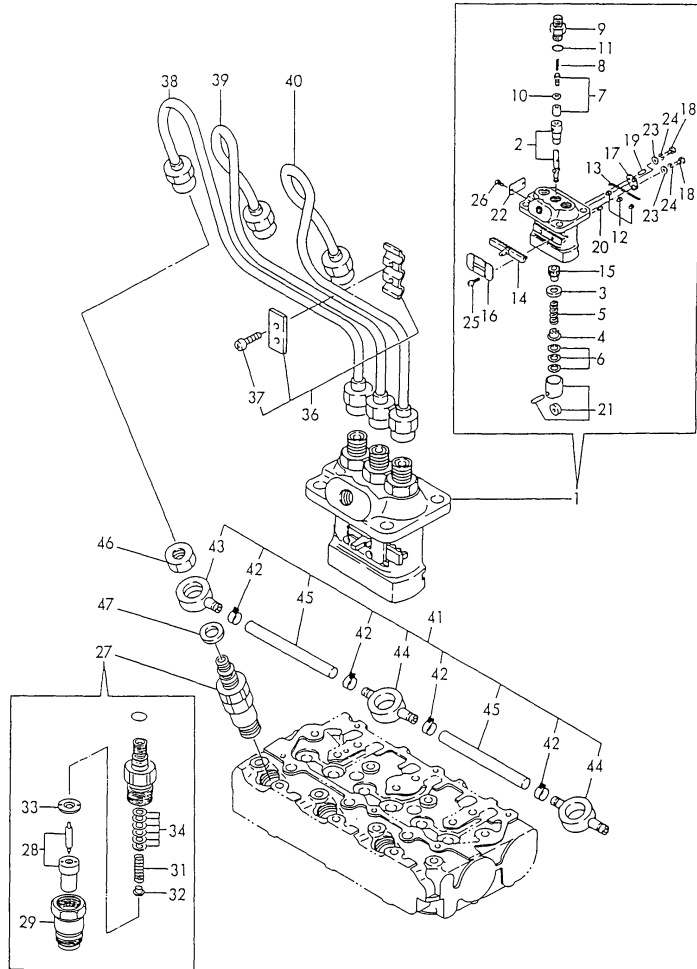
Remarks

(\$ ) THESE PARTS ARE SOLD BY FIG.19,  
REF.NO.1,1-1,1-2,1-3,26,26-1,  
26-2.



Fig.13. FUEL INJECTION DEVICE

719244-51300  
 D19620-53100  
 D19225-59100  
 D19260-53300



Remarks  
 (\$) THESE PARTS ARE SOLD BY FIG.19,  
 REF.NO.1,1-1,1-2,1-3,26,26-1,  
 26-2.

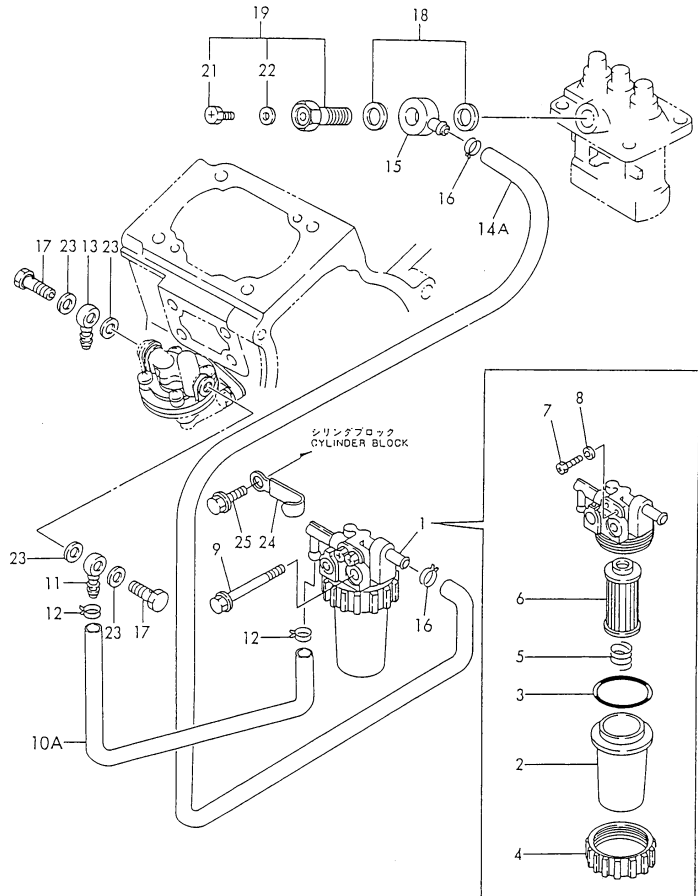
(A)=3TN66L-UT  
 (B)=  
 (C)=

(D)=  
 (E)=  
 (F)=

No.	Lev.	Parts No.	Description	Q'ty						I	R
				(A)	(B)	(C)	(D)	(E)	(F)		
1	1	719225-51100	PUMP ASSY, INJECTION	1							
2	2	119225-51100	PLUNGER ASSY	3							
3	2	119620-51170	RETAINER, SPRING A	3							
4	2	119620-51180	RETAINER, SPRING B	3							
5	2	119620-51190	SPRING, PLUNGER	3							
6	2	119620-51250	SHIM SET	3							
7	2	119225-51300	VALVE ASSY, DELIVERY	3							
8	2	105546-51330	SPRING, DELIVERY	3							
9	2	119620-51340	HOLDER, DELIVERY	3							
10	2	119620-51350	GASKET	3							
11	2	119620-51370	O-RING	3							
12	2	119620-51450	PIECE	3							
13	2	119620-51461	PIN	1							
14	2	119660-51500	RACK, CONTROL	1							
15	2	119620-51510	PINION	3							
16	2	119660-51530	RETAINER, RACK	1							
17	2	119620-51650	PLATE	2							
18	2	119620-51660	SCREW	2							
19	2	119620-51670	PIN	2							
20	2	119620-51680	PIN	1							
21	2	119620-51700	TAPPET ASSY	3							
22	2	119225-51920	LABEL (719225-51100)	1							
23	2	22137-040000	WASHER, 4	2							
24	2	22217-040000	WASHER, SPRING 4	2							
25	2	26022-040082	SCREW, M4X 8	4							
26	2	26587-040102	SCREW, M4X10	2							
27	1	719255-53100	VALVE ASSY,INJECTION	3							
27-1	1	719620-53100	VALVE ASSY,INJECTION	3							R
(A=FROM 1ST)											
27-2	1	719620-53700	VALVE ASSY,INJECTION	3							N
(A=FROM 1ST)											
28	2	119620-53000	VALVE ASSY,INJECTION	3							
29	2	119620-53080	NUT, NOZZLE	3							
31	2	119620-53120	SPRING, NOZZLE	3							Z
32	2	114250-53130	SEAT, SPRING	3							Z
33	2	119620-53140	SPACER, VALVE STOP	3							Z
34	2	114250-53400	SHIM SET	3							
35	2	129155-61830	O-RING, S10	3							
36	1	129150-59120	RETAINER, PIPE	1							
37	2	129150-59130	BOLT, M4X12	2							
38	1	119225-59810	PIPE ASSY, INJECTION	1							
39	1	119260-59820	PIPE ASSY, INJECTION	1							
40	1	119260-59830	PIPE ASSY, INJECTION	1							
41	1	119260-59540	PIPE ASSY, RETURN	1							
42	2	124066-59100	CLIP, HOSE 8	4							
43	2	119260-59520	JOINT	1							
44	2	119260-59530	JOINT	2							
45	2	119260-59550	PIPE, FUEL	2							
46	1	119620-59700	NUT, NOZZLE	3							
47	1	23414-140000	GASKET, 14X1.0	3							\$

# Fig.14. FUEL LINE

D19260-55100  
 D19244-59020  
 D19244-99100



(A)=3TN66L-UT  
 (B)=  
 (C)=

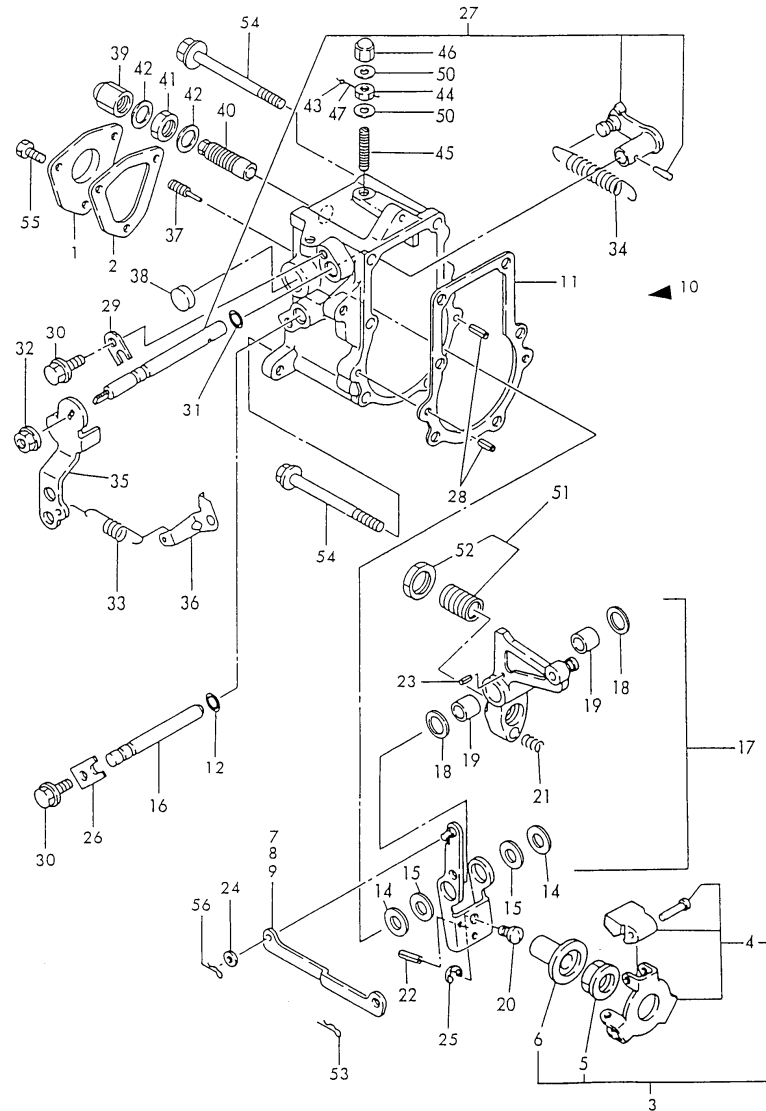
(D)=  
 (E)=  
 (F)=

No.	Lev.	Parts No.	Description	Q'ty						I	R
				(A)	(B)	(C)	(D)	(E)	(F)		
1	1	119225-55600	FILTER ASSY, FUEL	1							
2	2	121254-55510	COVER	1							
3	2	102103-55520	O-RING	1							
4	2	110250-55610	RING, RETAINING	1							
5	2	121250-55620	SPRING	1							
6	2	124550-55700	FILTER, FUEL L=90	1							
7	2	101720-55750	PLUG, 6	2							
8	2	23418-06000	GASKET, 6X1.0	2							
9	1	26106-080652	BOLT, M8X 65 PLATED	1							
9-1	1	26014-080702	BOLT, M8X 70	1							N
(A=E16897)											
10A	1	121024-59090	PIPE, FUEL D12X450	1							
10A-1	1	121522-59100	PIPE, FUEL D12X500	1							N
(A=FROM 1ST)											
11	1	104264-59030	JOINT, PIPE 8	1							
12	1	124766-59050	CLIP, HOSE 12	2							
13	1	104264-59030	JOINT, PIPE 8	1							
14A	1	105990-59560	PIPE, FUEL	1							
14A-1	1	124767-59080	PIPE, FUEL	1							N
(A=FROM 1ST)											
15	1	101304-59020	JOINT, PIPE 12	1							
16	1	124766-59050	CLIP, HOSE 12	2							
17	1	105582-59150	BOLT, PIPE JOINT	2							
18	1	104200-59170	GASKET, 12	2							\$
19	1	103854-59191	BOLT ASSY, JOINT M12	1							
21	2	124060-59380	PLUG, 6	1							
22	2	43400-500390	SEAL WASHER 6S	1							
23	1	23414-080012	GASKET, 8X1.0	4							\$
24	1	171056-59920	CLAMP, CORD	1							
24-1	1	194180-51640	CLAMP, HARNESS	1							N
(A=FROM 1ST)											
25	1	26106-080122	BOLT, M8X 12 PLATED	1							
25-1	1	26106-100122	BOLT, M10X 12 PLATED	1							N
(A=FROM 1ST)											

Remarks

(\$) THESE PARTS ARE SOLD BY FIG.19,  
 REF.NO.1,1-1,1-2,1-3,26,26-1,  
 26-2.

Fig.15. GOVERNOR



No.	Lev.	Parts No.	Description	Qty						I	R
				(A)	(B)	(C)	(D)	(E)	(F)		
1	1	119660-61060	COVER, GOVERNOR CASE	1							
2	1	119660-61070	GASKET	1							
2-1	1	119660-61071	GASKET	1							R
(A=E24680)											
3	1	119600-61100	DRIVE ASSY	1							W
(A=E11675)											
4	2	119600-61200	WEIGHT ASSY,GOVERNOR	1							
5	2	119660-61300	NUT	1							
6	2	119660-61341	SLEEVE	1							
7	1	119660-61121	LINK, NO MARK	1							
8	1	119660-61140	LINK, MARK :2	1							W
(A=E11675)											
9	1	119660-61150	LINK, MARK :3	1							W
(A=E11675)											
10	1	119610-61200	CASE ASSY, GOVERNOR	1							W
(A=E11675)											
11	2	119660-61051	GASKET	1							
11-1	2	119660-61052	GASKET	1							R
(A=E24680)											
12	2	129155-51280	O-RING, S6	1							
14	2	119660-61460	SHIM SET	1							
15	2	129155-61480	SPACER ASSY	2							
16	2	119660-61491	SHAFT	1							
17	2	119656-61500	LEVER ASSY, GOVERNOR	1							
18	3	174307-51700	SHIM SET	2							
19	3	121450-61520	BEARING, NEEDLE 8	2							
20	3	119600-61540	SHIFTER	1							
21	3	119660-61651	SPRING, STARTING	1							
22	3	22117-040000	WASHER, 4	1							
22-1	3	22351-030014	PIN, SPRING 3.0X14	1							S
(A=FROM 1ST)											
23	3	22351-020004	PIN, SPRING 2.0X 4	1							
24	3	22351-030014	PIN, SPRING 3.0X14	1							
24-1	3	22117-040000	WASHER, 4	1							S
(A=FROM 1ST)											
25	3	22272-000040	RING, E- 4	1							
26	2	119660-61901	RETAINER, SHAFT	1							
27	2	119621-66091	SHAFT ASSY	1							
28	2	22351-040010	PIN, SPRING 4.0X10	2							
29	2	119600-61900	RETAINER, SHAFT	1							
30	2	26106-060102	BOLT, M6X 10 PLATED	2							
31	2	24341-000070	O-RING, 1AS7.0	1							
32	1	194990-22050	NUT, M8	1							
33	1	119840-61870	SPRING	1							
34	1	119600-66020	SPRING, REGULATOR	1							
35	1	119640-66051	HANDLE, REGULATOR	1							
36	1	119656-66910	HOOK	1							
37	1	124250-03640	SCREW	1							
38	1	119640-61400	PLUG	1							
39	1	129100-61930	NUT, CAP	1							
40	1	119260-66540	LIMITER ASSY, FUEL	1							

Fig.15. GOVERNOR

(A)=3TN66L-UT  
(B)=  
(C)=

(D)=  
(E)=  
(F)=

No.	Lev.	Parts No.	Description	Q'ty						I	R
				(A)	(B)	(C)	(D)	(E)	(F)		
41	1	124772-66750	NUT, LOCK M12	1							
42	1	43400-500450	SEAL WASHER 12S	2							
43	1	135210-61090	LEAD	1							
44	1	124550-66370	NUT, M6	1							
45	1	121575-66830	SCREW	1							
46	1	119600-66840	NUT, CAP	1							
47	1	22451-060000	WIRE, 0.6	1							
48	1	26116-060304	BOLT, M6X 30 PLATED	1							Z
(A=FROM 1ST)											
49	1	26756-060002	NUT, LOCK M6	1							Z
(A=FROM 1ST)											
50	1	43400-500400	SEAL WASHER 6	2							
51	1	119600-66720	ANGLEICH ASSY	1							
52	2	129155-61590	NUT, LOCK	1							
53	1	22360-060000	PIN, SNAP 6	1							
54	1	26106-060702	BOLT, M6X 70 PLATED	6							
55	1	26116-050102	BOLT, M5X 10 PLATED	3							
56	1	22360-040000	PIN, SNAP 4	1							

719244-51300  
029428-66400

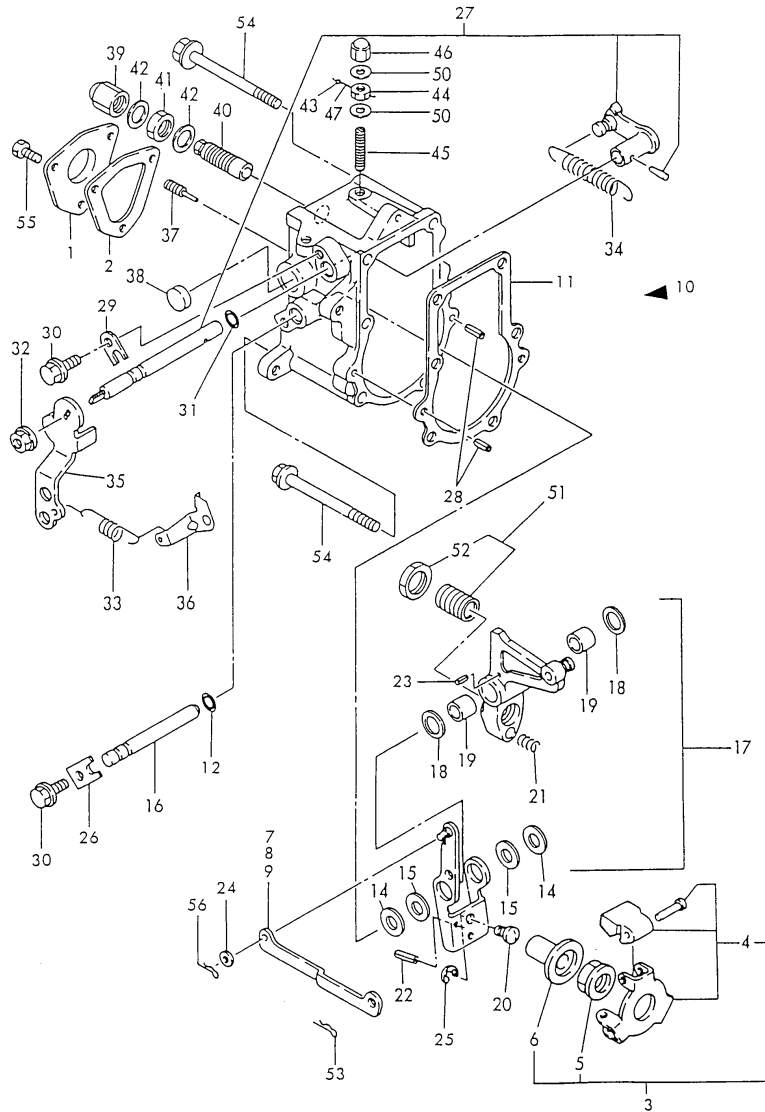


Fig.16. STARTING MOTOR(12V-1.4KW)

(A)=3TN66L-UT

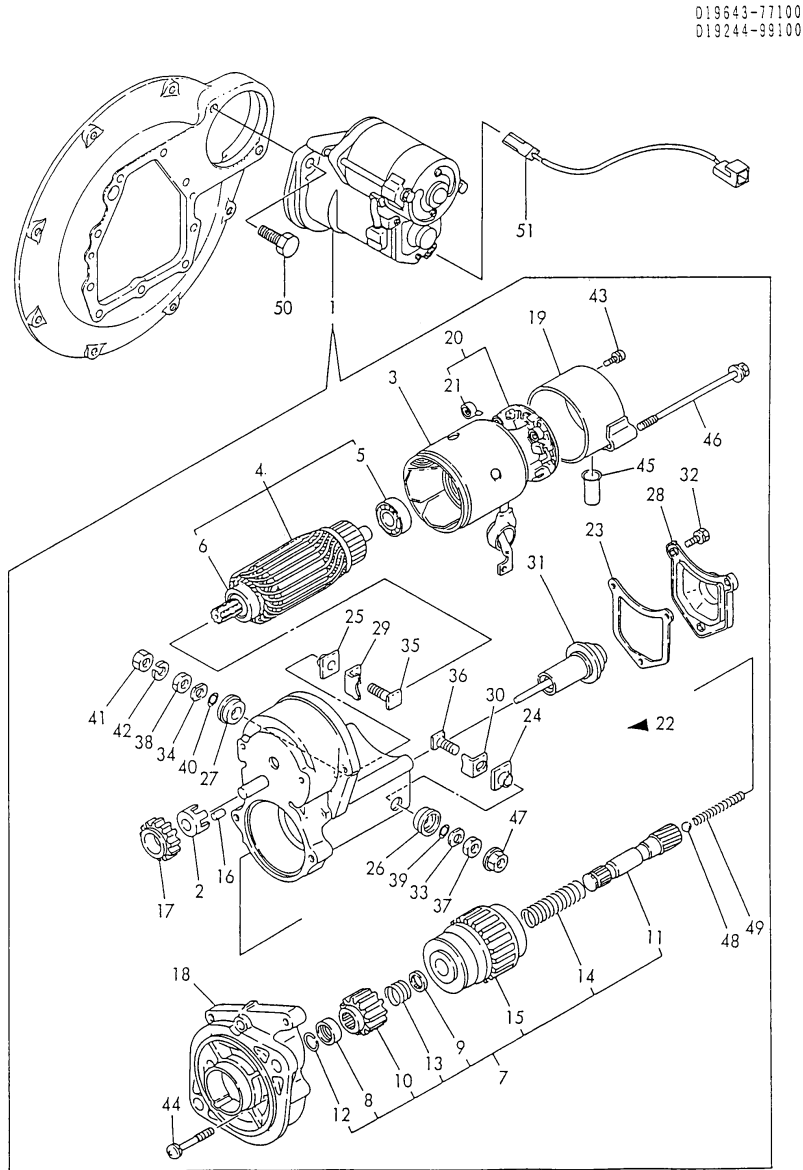
(B)=

(C)=

(D)=

(E)=

(F)=



D19643-77100  
D19244-99100

No.	Lev.	Parts No.	Description	Q'ty						I	R
				(A)	(B)	(C)	(D)	(E)	(F)		
1	1	119641-77010	STARTER, 1.4KW	1							
2	2	X0280630011	RETAINER	1							
3	2	X0281003770	YOKE ASSY	1							
4	2	X0282002320	HOUSING ASSY	1							
5	3	X9491002760	BALL BEARING	1							
6	3	X9491002590	BALL BEARING	1							
7	2	X0283005690	CLUTCH	1							
8	3	X0280210230	NUT	1							
9	3	X0283270140	RETAINER	1							
10	3	X0283715640	PINION	1							
11	3	X0283810040	SHAFT	1							
12	3	X9490721080	RING	1							
13	3	X9491703371	SPRING, COIL	1							
14	3	X9491704260	SPRING	1							
15	3	121120-77930	CASE ASSY, STARTER	1							
16	2	X0283060061	ROLLER	5							
17	2	X0283711420	PINION	1							
18	2	X1284000710	HOUSING	1							
19	2	X0285011600	FRAME	1							
20	2	X0285100750	HOLDER ASSY, BRUSH	1							
21	3	X9491730461	SPRING	4							
22	2	X0534006470	SWITCH ASSY, MAGNET.	1							
23	3	X0534040320	GASKET	1							
24	3	X0534490121	BUSH	1							
25	3	X0534490121	BUSH	1							
26	3	X0534490230	BUSH	1							
27	3	X0534490230	BUSH	1							
28	3	X0535050620	COVER	1							
29	3	X0535130241	PLATE	1							
30	3	X0535130320	PLATE	1							
31	3	X0536600401	PLUNGER	1							
32	3	X9151005141	BOLT	3							
33	3	X9490170900	WASHER	1							
34	3	X9490170900	WASHER	1							
35	3	X9490441303	BOLT	1							
36	3	X9490441312	BOLT	1							
37	3	X9490502820	NUT	1							
38	3	X9490502820	NUT	1							
39	3	X9491402100	O-RING	1							
40	3	X9491402100	O-RING	1							
41	2	X9019008651	NUT	1							
42	2	X9025808001	WASHER	1							
43	2	X0289030010	SCREW	2							
44	2	X9490071970	SCREW	2							
45	2	X0280620480	COVER	1							
46	2	X9490422570	BOLT	2							
47	2	X9490561370	NUT	1							
48	2	X9491200240	BALL	1							
49	2	X9491703380	SPRING	1							
50	1	26116-120252	BOLT, M12X 25 PLATED	2							
51	1	119006-77900	CONNECTOR, STARTER	1							

Fig.17. GENERATOR

(A)=3TN66L-UT

(B)=

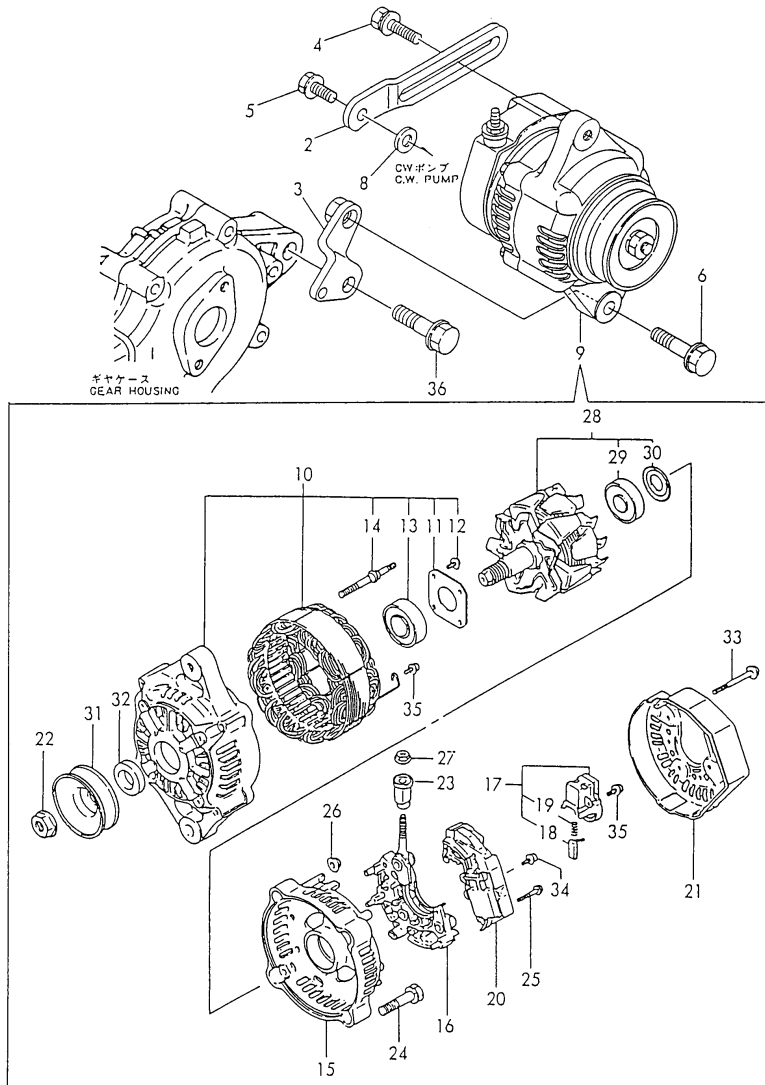
(C)=

(D)=

(E)=

(F)=

D19244-77210  
D21521-77300



No.	Lev.	Parts No.	Description	Q'ty						I	R
				(A)	(B)	(C)	(D)	(E)	(F)		
1	1	128400-77200 (A=FROM 1ST)	GENERATOR, 12V-40A	1							Z
2	1	119244-77330	ADJUSTER	1							
2-1	1	121521-77330 (A=FROM 1ST)	ADJUSTER	1							N
3	1	119244-77450	BRACKET, GENERATOR	1							
4	1	26014-080252	BOLT, M8X 25	1							
5	1	26106-080182	BOLT, M8X 18 PLATED	1							
5-1	1	26106-080202 (A=FROM 1ST)	BOLT, M8X 20 PLATED	1							N
6	1	26106-100402	BOLT, M10X 40 PLATED	1							
6-1	1	26106-100502 (A=FROM 1ST)	BOLT, M10X 50 PLATED	1							S
6-2	1	26106-100402 (A=EXXX)	BOLT, M10X 40 PLATED	1							S
7	1	26366-100002 (A=FROM 1ST)	NUT, M10	1							Z
8	1	22137-080000 (A=FROM 1ST)	WASHER, 8	1							W
9	1	128400-77200 (A=FROM 1ST)	GENERATOR, 12V-40A	1							W
10	2	X0214005710 (A=FROM 1ST)	FRAME	1							W
11	3	X0214110500 (A=FROM 1ST)	RETAINER	1							W
12	3	X9490065200 (A=FROM 1ST)	SCREW	4							W
13	3	X9491002950	BEARING, BALL	1							
14	3	X9490432120 (A=FROM 1ST)	STUD	2							W
15	2	X0215015280 (A=FROM 1ST)	FRAME	1							W
16	2	X0215803080 (A=FROM 1ST)	HOLDER	1							W
17	2	X0216202190 (A=FROM 1ST)	HOLDER, BRUSH	1							W
18	3	X0216600390 (A=FROM 1ST)	BRUSH	2							W
19	3	X9491706990 (A=FROM 1ST)	SPRING	2							W
20	2	X1260000600 (A=FROM 1ST)	REGULATOR	1							W
21	2	X0215511130 (A=FROM 1ST)	COVER	1							W
22	2	X9490562520 (A=FROM 1ST)	NUT	1							W
23	2	X0216051700 (A=FROM 1ST)	BUSH	1							W
24	2	X9490473410 (A=FROM 1ST)	BOLT	2							W
25	2	X9131004251	SCREW	2							W

Fig.17. GENERATOR

(A)=3TN66L-UT

(B)=

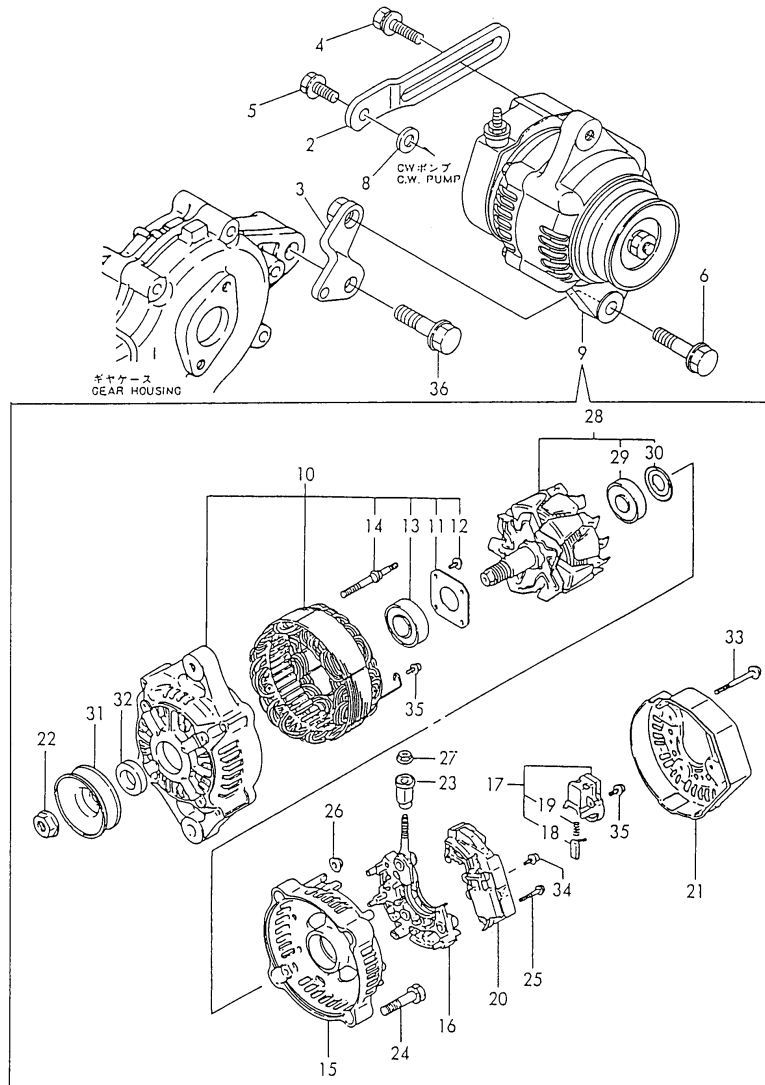
(C)=

(D)=

(E)=

(F)=

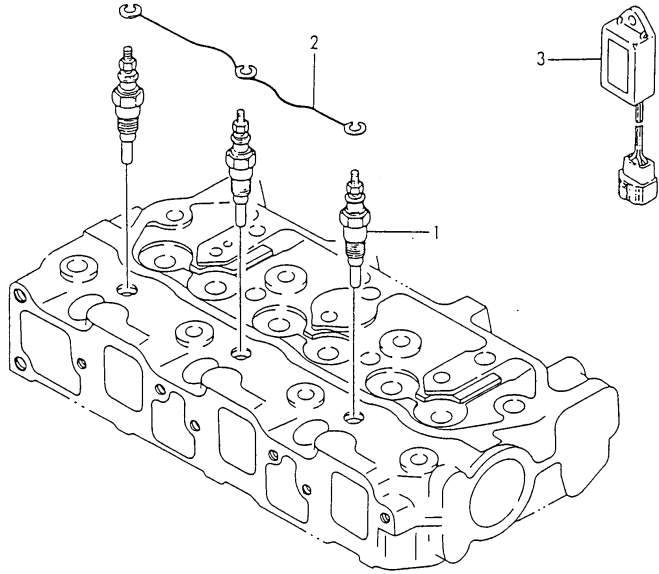
D19244-77210  
D21521-77300



No.	Lev.	Parts No.	Description	Q'ty						I	R
				(A)	(B)	(C)	(D)	(E)	(F)		
		(A=FROM 1ST)									
26	2	X9490562480	NUT, M5	2							W
		(A=FROM 1ST)									
27	2	X9490561001	NUT	1							W
		(A=FROM 1ST)									
28	2	X0212003520	ROTOR ASSY	1							W
		(A=FROM 1ST)									
29	3	X9491003670	BEARING, BALL	1							W
		(A=FROM 1ST)									
30	3	X0215060070	COVER, BEARING	1							W
		(A=FROM 1ST)									
31	2	X0210415670	PULLEY	1							W
		(A=FROM 1ST)									
32	2	X0210450600	COLLAR	1							W
		(A=FROM 1ST)									
33	2	X9490462040	BOLT	3							W
		(A=FROM 1ST)									
34	2	X9490065470	SCREW	1							W
		(A=FROM 1ST)									
35	2	X9490065460	SCREW	6							W
		(A=FROM 1ST)									
36	1	26106-100402	BOLT, M10X 40 PLATED	1							W
		(A=EXXX)									

# Fig.18. GLOW PLUG

019654-77310  
 019620-77700  
 019244-99100



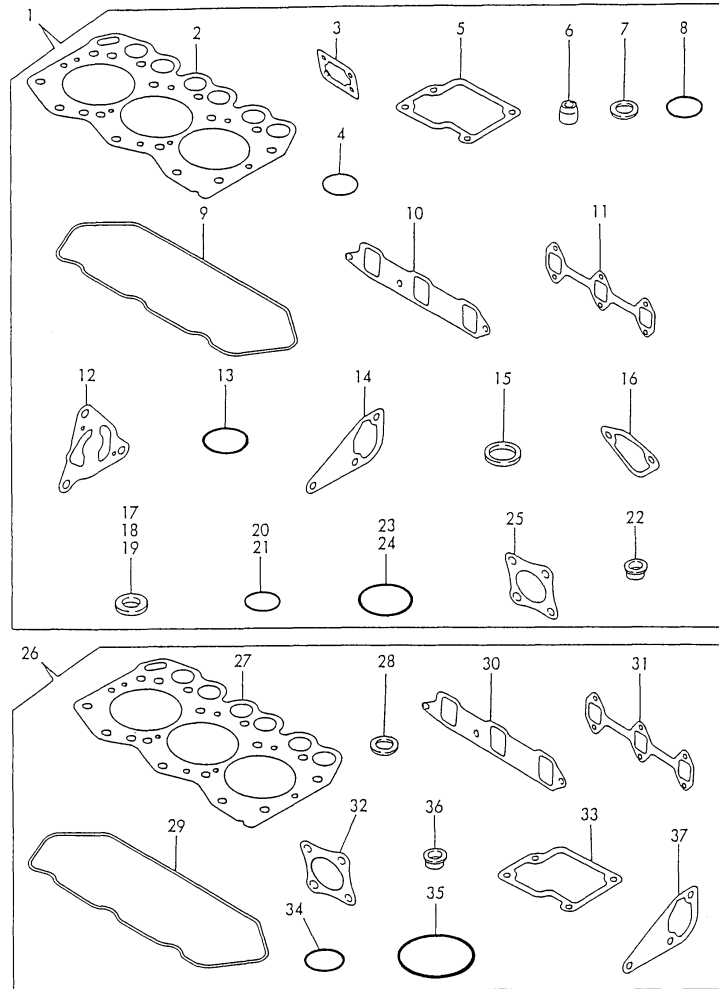
(A)=3TN66L-UT  
 (B)=  
 (C)=

(D)=  
 (E)=  
 (F)=

No.	Lev.	Parts No.	Description	Q'ty						I	R
				(A)	(B)	(C)	(D)	(E)	(F)		
1	1	129795-77800	PLUG, GLOW	3							
2	1	119620-77820	CONNECTOR, GLOW PLUG	1							
3	1	128300-77920	TIMER	1							



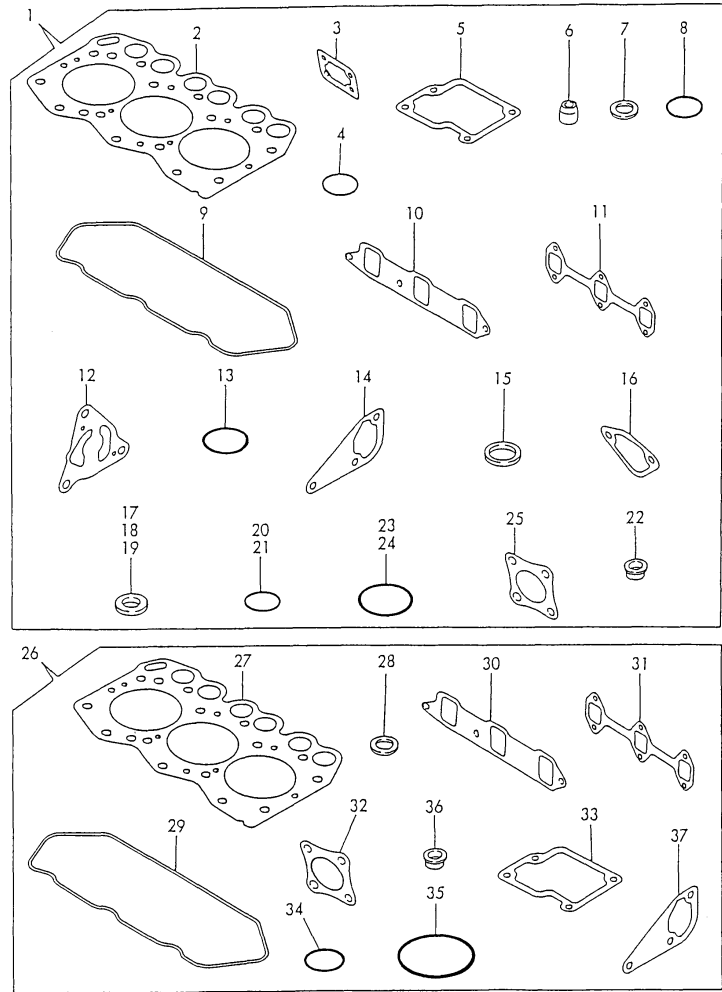
Fig.19. GASKET SET



No.	Lev.	Parts No.	Description	Q'ty						I	R
				(A)	(B)	(C)	(D)	(E)	(F)		
1	1	719230-92600	GASKET SET	1							1
1-1	1	719244-92600	GASKET SET	1							N 1
(A=E15942)											
1-2	1	719244-92601	GASKET SET	1							N 1
(A=EXXX)											
1-3	1		GASKET SET	1							N 1
(A=EXXX)											
2	2	119225-01340	GASKET, HEAD	1							
3	2	119660-01561	GASKET	1							
3-1	2	119660-01562	GASKET	1							R
(A=E24680)											
4	2	121420-01760	O-RING	1							
4-1	2	24311-000320	O-RING, 1AP32.0	1							N
(A=E15942)											
5	2	119260-03030	GASKET	1							
5-1	2	119260-03031	GASKET	1							N
(A=E24680)											
6	2	119260-11340	SEAL, VALVE STEM	6							
7	2	119600-11460	GASKET, NOZZLE	6							
8	2	121420-01760	O-RING	1							
8-1	2	24311-000320	O-RING, 1AP32.0	1							N
(A=E15942)											
9	2	119260-11310	GASKET, BONNET	1							
10	2	119270-12110	GASKET, MANIFOLD	1							
11	2	119260-13110	GASKET	1							
12	2	119660-32020	GASKET, PUMP	1							
13	2	124450-35110	O-RING	1							
14	2	119260-42020	GASKET, WATER PUMP	1							
15	2	124465-44950	GASKET, 16	2							
16	2	121520-01850	GASKET	1							
16-1	2	121520-01851	GASKET	1							R
(A=E24680)											
17	2	104200-59170	GASKET, 12	2							
18	2	23414-080012	GASKET, 8X1.0	4							
19	2	23414-140000	GASKET, 14X1.0	3							
20	2	24311-000120	O-RING, 1AP12.0	5							
21	2	24311-000180	O-RING, 1AP18.0	1							
22	2	24311-240100	O-RING, 1AP10A	1							
22-1	2	119600-11450	PROTECTOR, NOZZLE	3							S
(A=FROM 1ST)											
23	2	24321-000350	O-RING, 1AG35.0	1							
24	2	24341-000260	O-RING, 1AS26.0	1							
24-1	2	24341-000240	O-RING, 1AS24.0	1							S
(A=E18615)											
25	2	121000-13200	GASKET, SILENCER	1							
25-1	2	121000-13201	GASKET, SILENCER	1							N
(A=*1992.01)											
26	1	719244-92630	GASKET SET	1							W 1
(A=FROM 1ST)											
26-1	1	719244-92631	GASKET SET	1							N 1
(A=EXXX)											

Remarks  
(1)OPTIONAL PART.

# Fig.19. GASKET SET

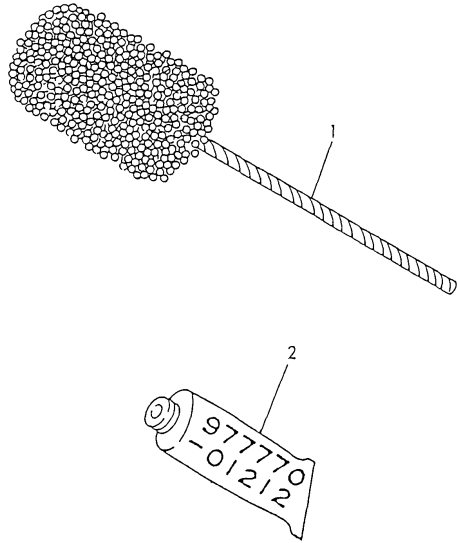


(A)=3TN66L-UT  
 (B)=  
 (C)=  
 (D)=  
 (E)=  
 (F)=

No.	Lev.	Parts No.	Description	Q'ty						I	R	
				(A)	(B)	(C)	(D)	(E)	(F)			
26-2	1		GASKET SET	1							N	1
		(A=EXXX)										
27	2	119225-01340	GASKET, HEAD	1								
28	2	119600-11460	GASKET, NOZZLE	6								
29	2	119260-11310	GASKET, BONNET	1								
30	2	119270-12110	GASKET, MANIFOLD	1								
31	2	119260-13110	GASKET	1								
32	2	121000-13200	GASKET, SILENCER	1								
32-1	2	121000-13201	GASKET, SILENCER	1								N
		(A=*1992.01)										
33	2	119260-03030	GASKET	1								
33-1	2	119260-03031	GASKET	1								N
		(A=E24680)										
34	2	24311-000120	O-RING, 1AP12.0	2								
35	2	121420-01760	O-RING	1								
35-1	2	24311-000320	O-RING, 1AP32.0	1								N
		(A=E15942)										
36	2	119600-11450	PROTECTOR, NOZZLE	3								
37	2	119260-42020	GASKET, WATER PUMP	1								

Remarks  
 (1)OPTIONAL PART.

Fig.20. SPECIAL TOOL(OPTIONAL)



No.	Lev.	Parts No.	Description	Q'ty						I	R
				(A)	(B)	(C)	(D)	(E)	(F)		
1	1	129400-92400	HONE	1							
2	1	977770-01212	GASKET, LIQUID	1							W
(A=FROM 1ST)											

## Parts No. Index

Parts No.	Fig. No.	Ref. No.
	19	1 -3
		26 -2
101304-59020	14	15
101720-55750	14	7
102103-55520	14	3
103854-59191	14	19
104200-59170	14	18
	19	17
104264-59030	14	11
		13
105010-11230	6	27
		30
105225-22400	10	4
105546-51330	13	8
105582-59150	14	17
105990-59560	14	14 A
110250-55610	14	4
114250-11120	6	7
114250-11180	6	8
114250-11190	6	9
114250-53130	13	32
114250-53400	13	34
119006-77900	16	51
119225-01340	19	2
		27
119225-14200	8	7
119225-35300	11	7
119225-42320	12	1 J
119225-51100	13	2
119225-51300	13	7
119225-51920	13	22
119225-55600	14	1
119225-59810	13	38
119244-03200	5	10
119244-21650	9	8
119244-42000	12	1
119244-77330	17	2
119244-77450	17	3
119255-01340	1	15
119260-01200	1	14
119260-01490	2	1
119260-01510	2	2
119260-01590	2	3
119260-01770	4	1 -1
119260-02020	1	8
119260-02410	1	11
119260-02800	1	9
119260-02870	1	16
119260-02930	1	10
119260-03020	5	5

Parts No.	Fig. No.	Ref. No.
119260-03030	5	6
	19	5
		33
119260-03031	5	6 -1
	19	5 -1
		33 -1
119260-07900	6	33
119260-11100	6	5
119260-11110	6	6
119260-11200	6	20
119260-11240	6	21
119260-11260	6	22
119260-11270	6	23
119260-11280	6	24
119260-11310	5	9
	19	9
		29
119260-11330	5	1 -1
119260-11340	6	10
	19	6
119260-11370	6	11
119260-11800	6	16
119260-13100	7	5
119260-13110	7	6
	19	11
		31
119260-14100	8	4
119260-14200	8	1
119260-14400	8	2
119260-14580	8	3
119260-21200	9	2
119260-22300	10	3
119260-23200	10	9
119260-23910	10	8
119260-25100	8	16
119260-25900	8	10
119260-32000	11	1
119260-35081	11	9
119260-42020	12	2
	19	14
		37
119260-49530	12	11
119260-49800	12	12
119260-59520	13	43
119260-59530	13	44
119260-59540	13	41
119260-59550	13	45
119260-59820	13	39
119260-59830	13	40
119260-66540	15	40

Parts No.	Fig. No.	Ref. No.
119270-12100	7	1
119270-12110	7	2
	19	10
		30
119270-22090	10	1
119270-22091	10	1 -1
119270-22920	10	12
119270-22970	10	14
119305-35150	11	6
119305-35151	11	6 -2
119454-01721	4	4
119600-11450	6	17
	19	22 -1
		36
119600-11460	6	18
	19	7
		28
119600-34820	11	5
119600-52021	2	26
119600-61100	15	3
119600-61200	15	4
119600-61540	15	20
119600-61900	15	29
119600-66020	15	34
119600-66720	15	51
119600-66840	15	46
119610-61200	15	10
119620-01620	3	4
119620-01800	2	4
119620-01950	2	7
119620-02450	1	12
	8	3 B
119620-11350	6	12
		36
119620-11390	5	4
119620-21500	9	5
119620-21941	9	10
119620-25912	8	17 A
119620-42350	12	8
119620-49290	1	19
119620-51170	13	3
119620-51180	13	4
119620-51190	13	5
119620-51250	13	6
119620-51340	13	9
119620-51350	13	10
119620-51370	13	11
119620-51450	13	12
119620-51461	13	13
119620-51510	13	15

Parts No.	Fig. No.	Ref. No.
119620-51650	13	17
119620-51660	13	18
119620-51670	13	19
119620-51680	13	20
119620-51700	13	21
119620-53000	13	28
119620-53080	13	29
119620-53120	13	31
119620-53140	13	33
119620-59700	13	46
119620-77820	18	2
119621-21680	9	9
119621-66091	15	27
119640-61400	15	38
119640-66051	15	35
119641-77010	16	1
119644-21590	9	6
119645-01600	3	2
119650-42291	12	7
119656-61500	15	17
119656-66910	15	36
119660-01551	2	16
119660-01561	2	17
	19	3
119660-01562	2	17 -1
	19	3 -1
119660-01570	2	18
119660-01640	3	5
119660-01821	8	6
119660-01911	2	6
119660-25022	8	14
119660-25052	8	15
119660-32020	11	2
	19	12
119660-35150	11	6 -1
119660-51500	13	14
119660-51530	13	16
119660-61051	15	11
119660-61052	15	11 -1
119660-61060	15	1
119660-61070	15	2
119660-61071	15	2 -1
119660-61121	15	7
119660-61140	15	8
119660-61150	15	9
119660-61300	15	5
119660-61341	15	6
119660-61460	15	14
119660-61491	15	16
119660-61651	15	21

## Parts No. Index

Parts No.	Fig. No.	Ref. No.
119660-61901	15	26
119840-61870	15	33
119865-21600	9	7
121000-13200	7	12
	19	25
		32
121000-13201	7	12 -1
	19	25 -1
		32 -1
121023-01550	2	22
121023-44740	12	9
121024-59090	14	10 A
121111-21501	9	5 -1
121120-01620	3	9
121120-77930	16	15
121250-55620	14	5
121254-55510	14	2
121400-01640	4	2
121420-01760	2	20
	5	3
		14
	19	4
		8
		35
121450-01560	2	2 A
		5
121450-42450	12	16 -1
121450-61520	15	19
121520-01850	2	25
	19	16
121520-01851	2	25 -1
	19	16 -1
121520-34810	11	4
121521-77330	17	2 -1
121522-59100	14	10 A-1
121575-66830	15	45
121850-11860	6	2
124060-01050	1	2
124060-59380	14	21
124066-59100	13	42
124085-02220	3	6
124160-01751	2	19
	5	2
		9 A
		13
		13 -1
124160-11360	5	11
		11 -1
124160-39450	11	12
124250-03640	15	37

Parts No.	Fig. No.	Ref. No.
124450-35110	11	6 A
	19	13
124465-44950	12	15 -1
	19	15
124550-55700	14	6
124550-66370	15	44
124766-59050	14	12
		16
124767-59080	14	14 A-1
124772-66750	15	41
128300-77920	18	3
128400-77200	17	1
		9
129100-01580	3	1
	9	4
129100-61930	15	39
129150-35350	11	8
129150-59120	13	36
129150-59130	13	37
129155-51280	15	12
129155-61480	15	15
129155-61590	15	52
129155-61830	13	35
129400-92400	20	1
129795-77800	18	1
135210-61090	15	43
171056-59920	14	24
174307-51700	15	18
194180-51640	14	24 -1
194990-22050	2	8
	7	7
	15	32
22117-040000	15	22
		24 -1
22137-040000	13	23
22137-080000	17	8
22217-040000	13	24
22217-050000	5	7
22242-000100	6	25
22242-000200	8	18
22272-000040	15	25
22351-020004	15	23
22351-030012	9	3 B
		3 B-1
		11
		13
22351-030014	15	22 -1
		24
22351-040010	2	2 B
		9

Parts No.	Fig. No.	Ref. No.
22351-040010	15	28
22351-060012	6	19
22360-040000	15	56
22360-060000	15	53
22451-060000	15	47
22512-040120	8	5
		8
	9	3
23414-080012	14	23
	19	18
23414-140000	13	47
	19	19
23414-160000	12	15
23418-060000	14	8
23871-020000	6	2 -1
23871-030000	12	1 A
23887-160002	12	16
24101-062034	8	11
24102-063034	8	9
24311-000120	2	10
	5	12
	11	10
	19	20
		34
24311-000180	4	3
	19	21
24311-000320	2	20 -1
	5	9 B
		14 -1
		14 -2
	19	4 -1
		8 -1
		35 -1
24311-240100	19	22
24321-000350	12	13
	19	23
24341-000070	15	31
24341-000240	2	23 -1
	19	24 -1
24341-000260	2	23
	19	24
26013-060202	11	3
26013-100202	1	17
		17 -1
26014-060202	2	27
26014-060352	12	10
26014-080252	17	4
26014-080702	14	9 -1
26014-100252	1	18
26022-040082	13	25

Parts No.	Fig. No.	Ref. No.
26106-060102	4	5
	15	30
26106-060122	1	13
	8	19
	11	11
26106-060162	2	11
	7	3
	8	12
26106-060182	2	24
	12	14
26106-060222	3	7
26106-060282	7	4
26106-060352	2	12
		12 -1
	7	8
26106-060402	2	13
26106-060452	4	6
26106-060502	2	14
26106-060652	2	15
26106-060702	15	54
26106-080122	14	25
26106-080142	6	34
		35
26106-080182	17	5
26106-080202	17	5 -1
26106-080452	6	32
	12	6
26106-080652	14	9
26106-100122	14	25 -1
26106-100402	17	6
		6 -2
		36
26106-100502	17	6 -1
26106-100852	3	8
	9	12
26116-050102	15	55
26116-060304	15	48
26116-100252	3	3
26116-120252	16	50
26206-100252	3	3 -1
26216-060402	6	14
	7	9
26216-080222	7	10
26366-060002	2	21
	6	15
	7	11
26366-080002	6	13
		37
26366-100002	17	7
26450-060202	11	3 -1

## Parts No. Index

Parts No.	Fig. No.	Ref. No.
26557-050102	5	8
26587-040102	13	26
26587-080102	8	13
26756-060002	6	28
		31
	15	49
27221-050080	6	3
27221-060100	1	3
27231-400000	1	4
27241-100000	1	5
27241-250000	1	6
27241-300000	1	7
27241-350000	6	4
43400-500390	14	22
43400-500400	15	50
43400-500450	15	42
714250-11570	6	9 -1
719225-51100	13	1
719230-92600	19	1
719244-92600	19	1 -1
719244-92601	19	1 -2
719244-92630	19	26
719244-92631	19	26 -1
719255-53100	13	27
719260-11521	5	1
719260-11650	6	26
719260-11660	6	29
719260-11700	6	1
719260-21700	9	1
719260-23100	10	7
719260-23600	10	10
719260-23610	10	11
719270-01560	1	1
719270-22500	10	2
719270-22501	10	2 -1
719270-22540	10	6
719270-22541	10	6 -1
719270-22820	10	5
719288-01540	4	1
719620-53100	13	27 -1
719620-53700	13	27 -2
977770-01212	20	2
X0210415670	17	31
X0210450600	17	32
X0212003520	17	28
X0214005710	17	10
X0214110500	17	11
X0215015280	17	15
X0215060070	17	30
X0215511130	17	21

Parts No.	Fig. No.	Ref. No.
X0215803080	17	16
X0216051700	17	23
X0216202190	17	17
X0216600390	17	18
X0280210230	16	8
X0280620480	16	45
X0280630011	16	2
X0281003770	16	3
X0282002320	16	4
X0283005690	16	7
X0283060061	16	16
X0283270140	16	9
X0283711420	16	17
X0283715640	16	10
X0283810040	16	11
X0285011600	16	19
X0285100750	16	20
X0289030010	16	43
X0534006470	16	22
X0534040320	16	23
X0534490121	16	24
		25
X0534490230	16	26
		27
X0535050620	16	28
X0535130241	16	29
X0535130320	16	30
X0536600401	16	31
X1260000600	17	20
X1284000710	16	18
X9019008651	16	41
X9025808001	16	42
X9131004251	17	25
X9151005141	16	32
X9490065200	17	12
X9490065460	17	35
X9490065470	17	34
X9490071970	16	44
X9490170900	16	33
		34
X9490422570	16	46
X9490432120	17	14
X9490441303	16	35
X9490441312	16	36
X9490462040	17	33
X9490473410	17	24
X9490502820	16	37
		38
X9490561001	17	27
X9490561370	16	47

Parts No.	Fig. No.	Ref. No.
X9490562480	17	26
X9490562520	17	22
X9490721080	16	12
X9491002590	16	6
X9491002760	16	5
X9491002950	17	13
X9491003670	17	29
X9491200240	16	48
X9491402100	16	39
		40
X9491703371	16	13
X9491703380	16	49
X9491704260	16	14
X9491706990	17	19
X9491730461	16	21

Parts No.	Fig. No.	Ref. No.
-----------	----------	----------