

0CD10-M26901EN

# PREFACE

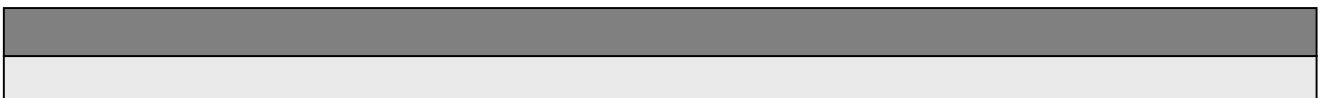
1. This Parts Catalog is the 1st edition of NF80-LIKFW Diesel Engine for ISEKI.

Pub. No. : 000Y00D2691

Published : March, 1991

2. Model name

Engine model	Vehicle		Vehicle made by
	Products	Model name	
NF80-LIKFW	—	—	ISEKI



## Directions for the Parts Catalog.

1. This Parts Catalog shows both standard and optional parts.
2. Parts may change without prior notice.
3. The following is an example of the Parts Catalog format.

REF.	LEV.	PARTS NO.	DESCRIPTION	Q'TY						I	R
				(A)	(B)	(C)	(D)	(E)	(F)		
1	1	729595-51390	FUEL INJECTION PUMP	1	1	1	1	1			1
1-1	1	729595-51391	FUEL INJECTION PUMP	1	1	1	1	1		N	1
		(A=E00185) (B=E00200)									
3	2	26022-060162	SCREW M 6X 16	9	9	9	9	9			
3-1	2	26022-060162	SCREW M 6X 16	4	4	4	4	4		K	
		(A=E00156) (B=E00156) (C=E00156) (D=E00156) (E=E00156)									
4	2	129470-51040	CAMSHAFT	1	1	1	1	1			
5	2	122710-51050	BEARING, ROLLER	2	2	2	2	2			
6	2	129470-51060	RETAINER	1	1	1	1	1			

Remarks
(1) BOOST COMPEMSATOR TYPE. OPTIONAL PART, TO E00155,(4JH-DT, 4JH-DTZ

### ① Ref. No.

The Ref. No. listed may not be in accordance with the illustration Ref. No.

(Ex.) Illustration No.

List Ref No.

1

1

(Before change)

1-1

(After change)

For interchangeable symbols N, R and K, illustrations for new parts may be abbreviated.

### ② Lev. (Level)

Level indication

The numbers below indicate the level of relativity towards the main part.

1 ----- Main parts (Assembly parts)

2 ----- Sub component included in " 1 ".

3 ----- Sub component included in " 2 ".

Note) Parts that are not for sale are partially illustrated but not listed.

### ③ Interchangeability Symbol

When a part change takes place, one of the following interchangeability symbols is indicated beside the part.

Symbol	Interchangeability	Contents note
N	Old $\begin{matrix} \leftarrow \text{Yes} \\ \text{No} \rightarrow \end{matrix}$ New	New Part is interchangeable for Old Part but Old Part is not interchangeable for New Part.
Q	Old $\begin{matrix} \leftarrow \text{No} \\ \text{Yes} \rightarrow \end{matrix}$ New	New Part is not interchangeable for Old Part but Old Part is interchangeable for New Part.
R	Old $\begin{matrix} \leftarrow \text{Yes} \\ \text{Yes} \rightarrow \end{matrix}$ New	New/ Old Parts are both interchangeable.
S	Old $\begin{matrix} \leftarrow \text{No} \\ \text{No} \rightarrow \end{matrix}$ New	New/ Old Parts are both not interchangeable.
W		Part newly added.
Z		Part discontinued.
F		Not interchangeable by a single part but interchangeable together with related parts.
K		Changes only for used parts quantities.

### ④ Effective Machine No.

When a part changes, the effective Machine No. will be indicated in the (A)-(F) column.

Product Symbol	Product No.	Product Symbol	Product No.
C	Clutch No. Compressor No.	F	Machine No. (Agricultural Equip.)
D	Drive No.	M	Machine No.
E	Engine No.		

Note 1) A date may follow the symbol. (Ex.) 1996.01

Note 2) "XXXXX" and "ZZZZZ" are for parts that could not be predicted or for engine models that could not be identified.

Note 3) (A=E00185) is the E (Engine Serial Number) for the column (A) model (in this case 4JH-DT) after the parts design change.

### ⑤ Remarks

Figures or alphabets (symbols) are entered in the remarks column.

The comments (remarks) on parts that are indicated at the bottom of the illustration are the same symbols as those stated above.

# Contents

Fig. No.	Fig. Name	Fig. No.	Fig. Name
	ENGINE NF80-LIKFW	25.	STARTING DEVICE
1.	CYLINDER BLOCK	26.	LIGHTING
2.	MAIN BEARING HOUSING	27.	TOOLS
3.	BREATHER & LABELS	28.	TOOLS(OPTIONAL PARTS
4.	ENGINE LIFTER	29.	LIMITER CAP
5.	STARTING HANDLE BRACKET		
6.	CYLINDER HEAD		
7.	BONNET		
8.	AIR CLEANER		
9.	SILENCER		
10.	CAMSHAFT		
11.	CRANKSHAFT		
12.	FLYWHEEL COVER		
13.	PISTON & CONNECTING ROD		
14.	BALANCER		
15.	LUB. OIL PIPES		
16.	RADIATOR		
17.	FAN		
18.	FUEL INJECTION PUMP		
19.	FUEL INJECTION VALVE		
20.	FUEL TANK		
21.	FUEL STRAINER		
22.	FUEL PIPES		
23.	GOVERNOR & CONTROL DEVICE		
24.	REGULATOR HANDLE		

Fig.1. CYLINDER BLOCK

(A)=NF80-LIKFW

(B)=

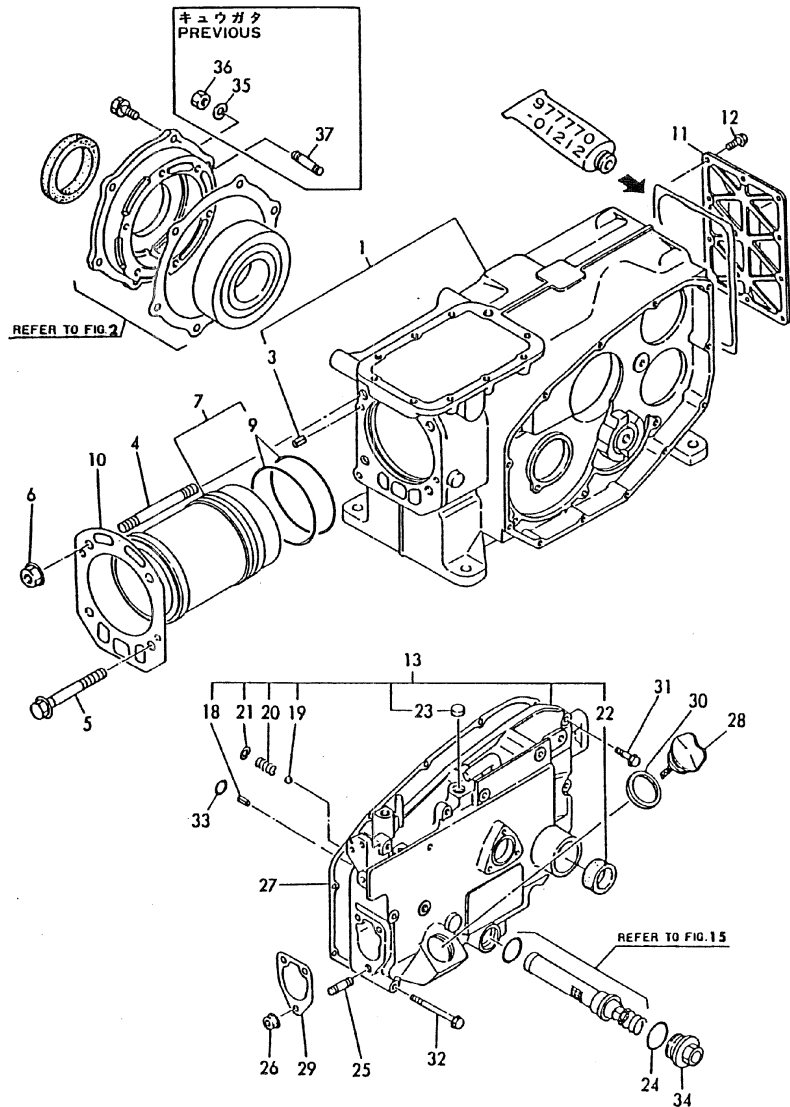
(C)=

(D)=

(E)=

(F)=

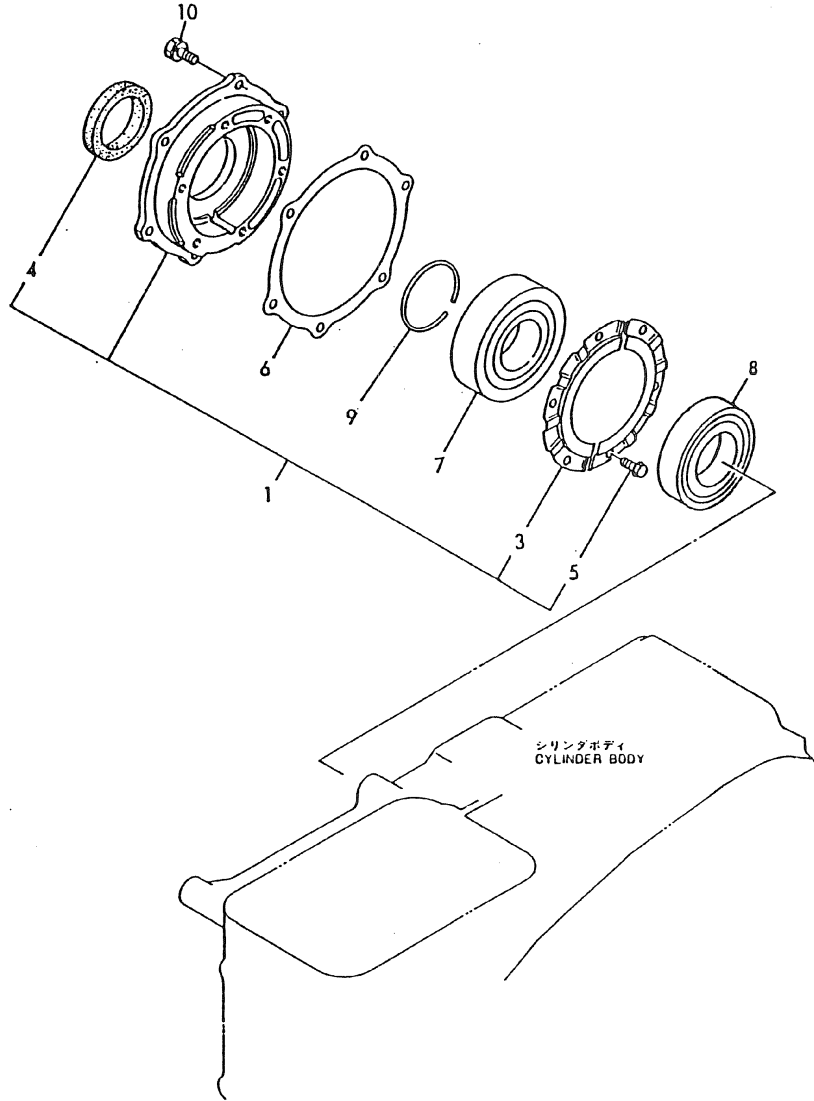
SPEC. CODE  
D05302-01102  
D05300-34200



No.	Lev.	Parts No.	Description	Qty						I	R
				(A)	(B)	(C)	(D)	(E)	(F)		
1	1	705300-01561	BLOCK ASSY, CYLINDER	1							
3	2	22351-060012	PIN, SPRING 6.0X12	2							
4	1	105230-01200	BOLT, HEAD	2							
5	1	121550-01200	BOLT, HEAD	2							
6	1	121450-01220	NUT, CYLINDER HEAD	2							
7	1	705300-01900	LINER ASSY, CYLINDER	1							
9	2	105300-01300	GASKET, LINER	2							
10	1	105300-01331	GASKET, HEAD 156X126	1							
11	1	105300-01480	COVER	1							
12	1	26106-060162	BOLT, M6X 16 PLATED	10							
13	1	705302-01501	CASE ASSY, GEAR	1							
13-1	1	705302-01502	CASE ASSY, GEAR	1							N
(A=E024338)											
18	2	22351-060012	PIN, SPRING 6.0X12	1							
19	2	24190-120001	BALL, STEEL 3/8	1							
20	2	105300-34040	SPRING	1							
21	2	22252-000100	RING, 10	1							
22	2	105140-76500	SEAL, TCX25X35X6	1							
23	2	105100-01660	PLUG, 14	1							
24	1	24321-000250	O-RING, 1AG25.0	1							
25	1	26216-080222	STUD, M8X 22	3							
26	1	26366-080002	NUT, M8	3							
27	1	105300-01410	GASKET, GEAR CASE	1							
28	1	105300-01750	CAP, FILLER	1							
28-1	1	105302-01750	CAP, FILLER	1							N
(A=E024338)											
29	1	104271-01950	SHIM SET,0.2X3,0.3X2	1							
30	1	101104-01760	GASKET, CAP	1							
31	1	26106-060252	BOLT, M6X 25 PLATED	7							
32	1	26106-060652	BOLT, M6X 65 PLATED	5							
33	1	24311-000060	O-RING, 1AP6.0	1							
34	1	105300-01690	PLUG	1							
35	1	22217-080000	WASHER, SPRING 8	1							Z
(A=EXXX)											
36	1	26716-080002	NUT, M8	1							Z
(A=EXXX)											
37	1	26216-080222	STUD, M8X 22	1							Z
(A=EXXX)											

# Fig.2. MAIN BEARING HOUSING

**SPEC. CODE**  
**D05300-02100**



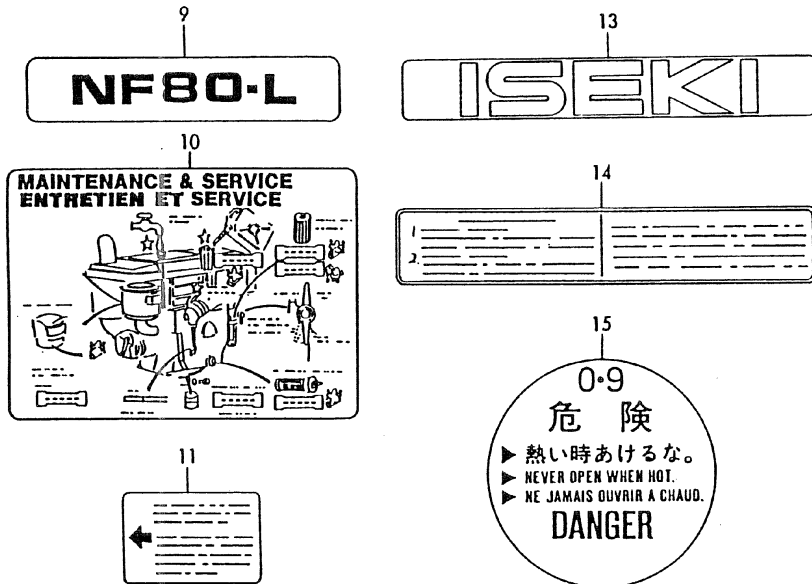
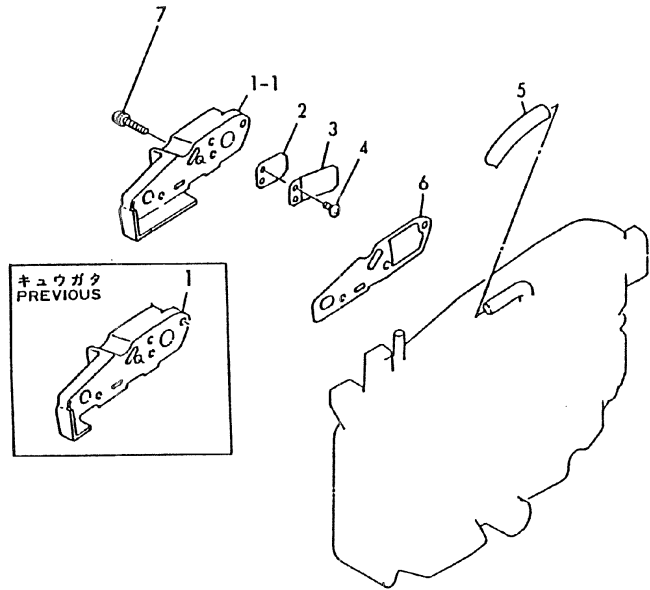
(A)=NF80-LIKFW  
(B)=  
(C)=

(D)=  
(E)=  
(F)=

No.	Lev.	Parts No.	Description	Q'ty						I	R
				(A)	(B)	(C)	(D)	(E)	(F)		
1	1	705300-02500	HOUSING ASSY, METAL	1							
3	2	105230-02320	RETAINER, BEARING	2							
4	2	123325-02500	SEAL, OIL	1							
5	2	26116-060102	BOLT, M6X 10 PLATED	6							
6	1	105300-02020	GASKET	1							
7	1	106200-02300	BEARING, 6309-C3	1							
8	1	106200-02310	BEARING, NF209-C3	1							
9	1	22242-000450	RING, 45	1							
10	1	26013-080202	BOLT, M8X 20	5							
10-1	1	26013-080202	BOLT, M8X 20	6							K
(A=EXXX)											

Fig.3. BREATHER & LABELS

SPEC. CODE  
D05300-03101  
D05378-07100



(A)=NF80-LIKFW  
(B)=  
(C)=

(D)=  
(E)=  
(F)=

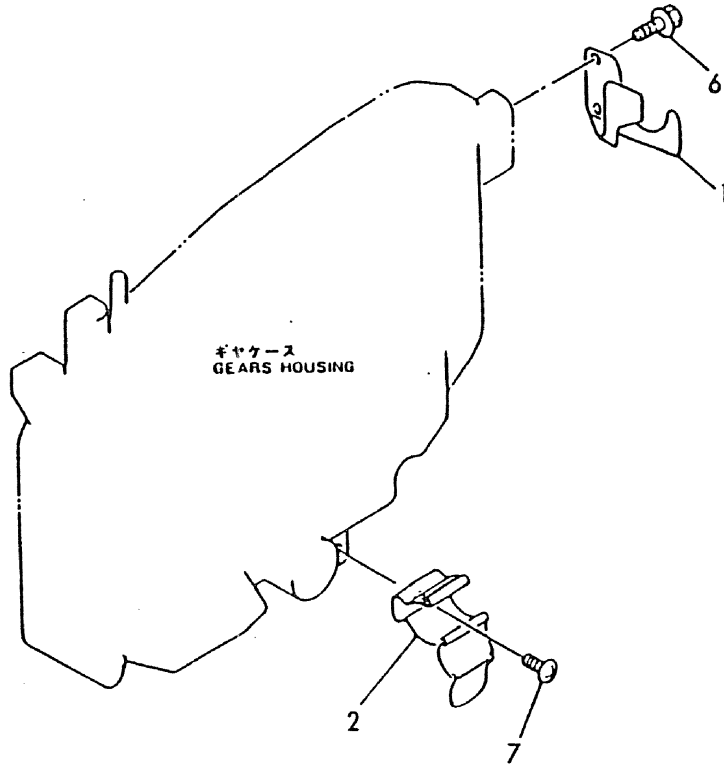
No.	Lev.	Parts No.	Description	Q'ty						I	R
				(A)	(B)	(C)	(D)	(E)	(F)		
1	1	105300-03081	COVER, BREATHER	1							
1-1	1	105300-03082	COVER, BREATHER	1							N
(A=E024338)											
2	1	101158-03061	VALVE		1						
3	1	101158-03111	RETAINER		1						
4	1	105362-78960	SCREW, M4X8		2						
5	1	23064-090400	PIPE, 9X 400		1						
6	1	105300-03130	GASKET		1						
7	1	26023-060252	SCREW, M6X25		3						
9	1	105378-07060	LABEL		1						
10	1	105378-07100	LABEL		1						
11	1	105378-07130	LABEL		1						
13	1	105378-07190	LABEL		2						
14	1	105378-07380	LABEL		1						
15	1	105300-07400	LABEL, RADIATOR		1						





Fig.5. STARTING HANDLE BRACKET

SPEC. CODE  
D05302-08211



(A)=NF80-LIKFW  
(B)=  
(C)=

(D)=  
(E)=  
(F)=

No.	Lev.	Parts No.	Description	Qty						I	R
				(A)	(B)	(C)	(D)	(E)	(F)		
1	1	105302-08101	BRACKET, HANDLE	1							
2	1	105300-08510	BRACKET ASSY	1							
6	1	26106-060122	BOLT, M6X 12 PLATED	2							
7	1	26557-060082	SCREW, M6X 8	1							

Fig.6. CYLINDER HEAD

(A)=NF80-LIKFW

(B)=

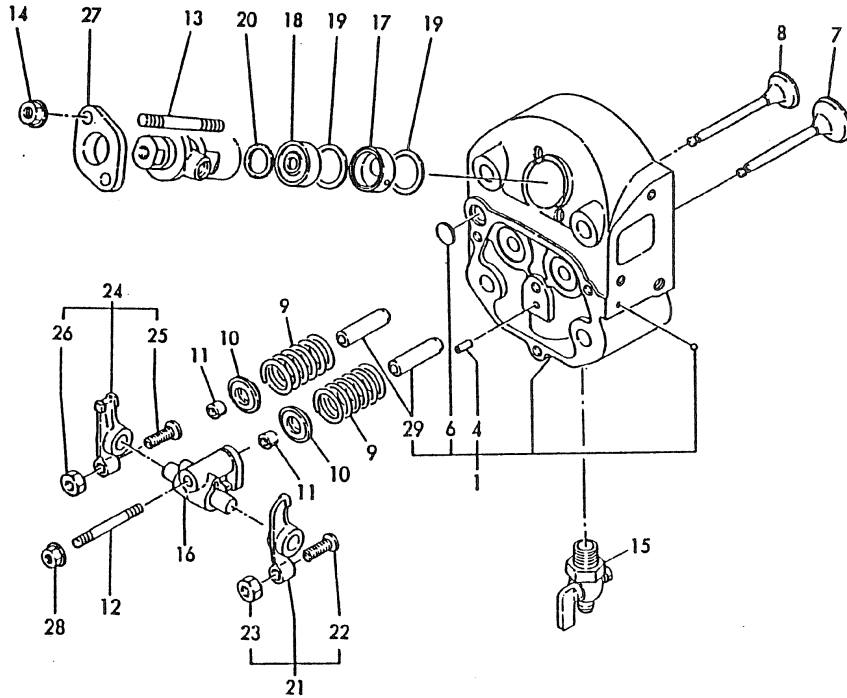
(C)=

(D)=

(E)=

(F)=

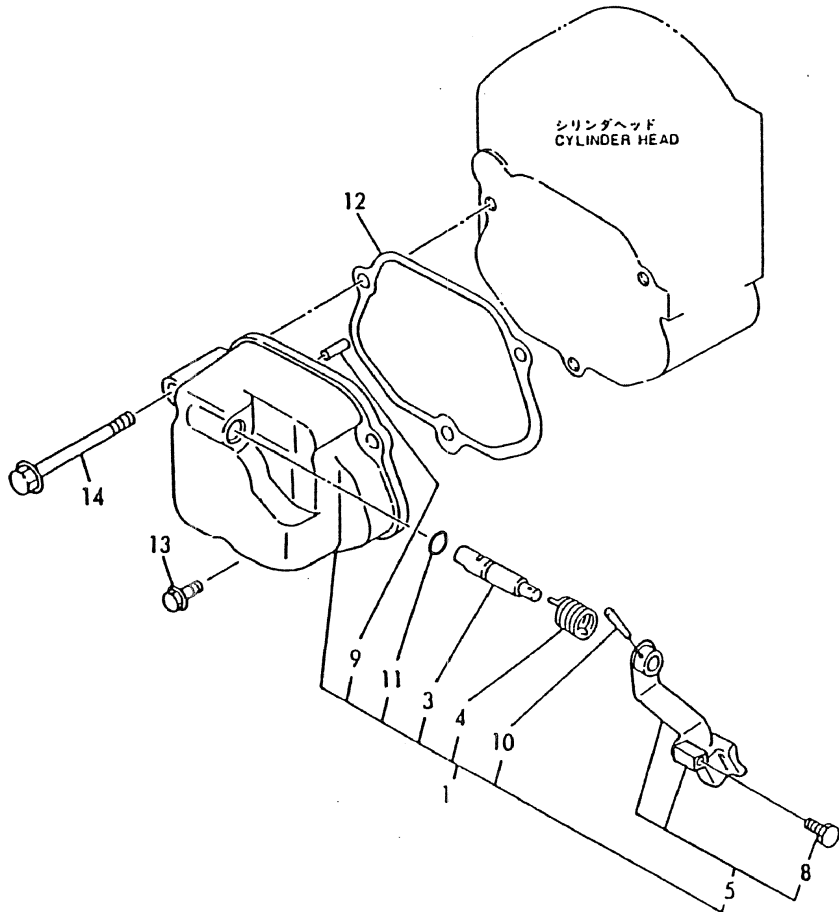
SPED. CODE  
D05370-11101



No.	Lev.	Parts No.	Description	Q'ty						I	R
				(A)	(B)	(C)	(D)	(E)	(F)		
1	1	705370-11701	HEAD ASSY, CYLINDER	1							
3	2	105300-11160	GUIDE, VALVE	2							
4	2	105300-11330	PIN	1							
6	2	27231-150000	PLUG 15	1							
7	1	105300-11100	VALVE, INTAKE	1							
8	1	105300-11110	VALVE, EXHAUST	1							
8-1	1	105300-11111	VALVE, EXHAUST	1							N
(A=E021232)											
9	1	101158-11120	SPRING, VALVE	2							
9-1	1	105400-11121	SPRING, VALVE	2							N
(A=E026944)											
10	1	101158-11180	RETAINER, SPRING	2							
11	1	101158-11190	COTTER	4							
12	1	26216-080502	STUD, M8X 50	1							
12-1	1	26216-080452	STUD, M8X 45	1							N
(A=E026944)											
13	1	26216-080752	STUD, M8X 75	2							
14	1	26366-080002	NUT, M8	2							
15	1	105010-11920	COCK, WATER	1							
16	1	105300-11290	SUPPORT ASSY, ARM	1							
17	1	105370-11400	CHAMBER	1							
18	1	105370-11410	CHAMBER	1							
19	1	124220-11450	GASKET, CHAMBER	2							
20	1	105025-11490	PROTECTOR	1							
21	1	105300-11650	ARM, ROCKER	1							
22	2	101158-11230	SCREW, VALVE ADJUST	1							
23	2	26756-080002	NUT, LOCK M8	1							
24	1	105300-11660	ARM, ROCKER	1							
25	2	101158-11230	SCREW, VALVE ADJUST	1							
26	2	26756-080002	NUT, LOCK M8	1							
27	1	101147-11900	RETAINER	1							
28	1	26366-080002	NUT, M8	1							

Fig.7. BONNET

SPEC. CODE  
D05302-11200



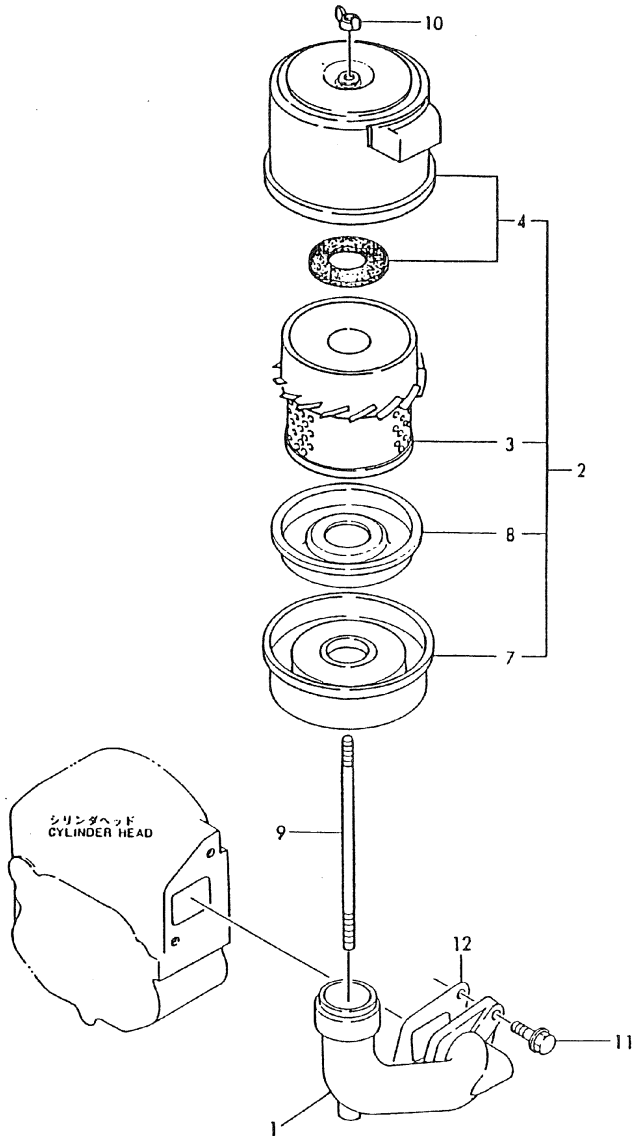
(A)=NF80-LIKFW  
(B)=  
(C)=

(D)=  
(E)=  
(F)=

No.	Lev.	Parts No.	Description	Q'ty						I	R
				(A)	(B)	(C)	(D)	(E)	(F)		
1	1	705302-11520	BONNET ASSY, HEAD	1							
3	2	104200-03600	SHAFT, DECOMPRESSION	1							
4	2	104200-03641	SPRING, DECOMPRESSION	1							
5	2	105302-03740	LEVER ASSY	1							
8	3	105225-66990	SCREW, M5X8.5	1							
9	2	22312-030180	PIN, PARALLEL M3X18	1							
10	2	22322-030180	PIN, TAPER 3X18	1							
11	2	24311-000070	O-RING, 1AP7.0	1							
12	1	105300-11310	GASKET, BONNET	1							
13	1	26106-060202	BOLT, M6X 20 PLATED	2							
14	1	26106-060602	BOLT, M6X 60 PLATED	1							

# Fig.8. AIR CLEANER

SPEC. CODE  
D05372-12200



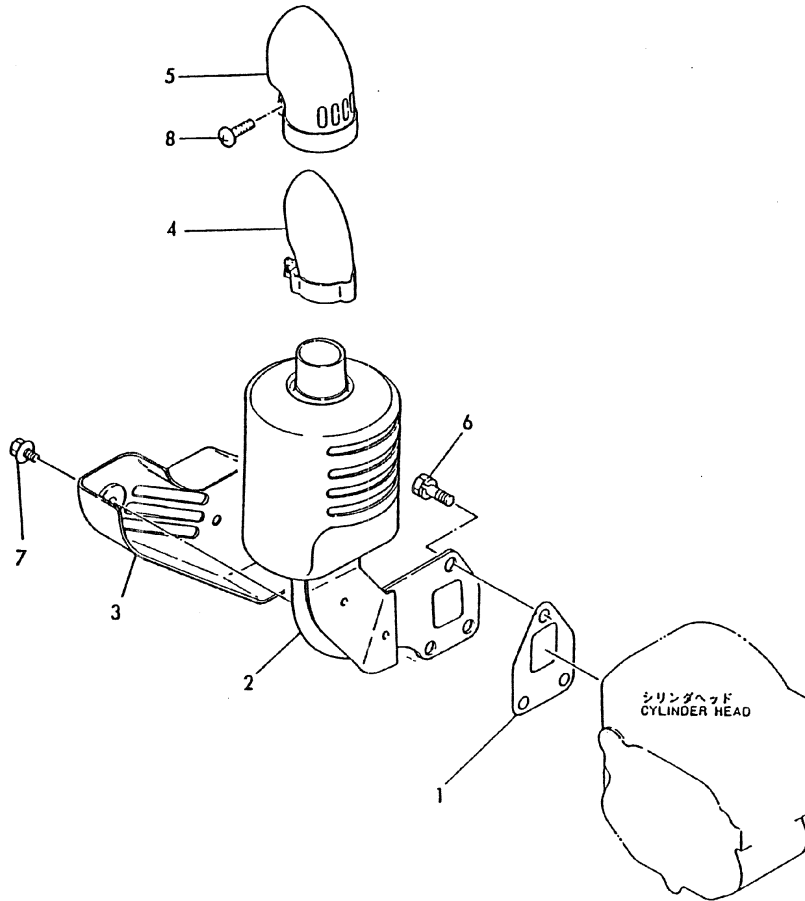
(A)=NF80-LIKFW  
(B)=  
(C)=

(D)=  
(E)=  
(F)=

No.	Lev.	Parts No.	Description	Q'ty						I	R
				(A)	(B)	(C)	(D)	(E)	(F)		
1	1	105372-12020	PIPE, AIR INTAKE	1							
2	1	105300-12510	CLEANER, AIR	1							
2-1	1	105300-12511	CLEANER, AIR	1							R
(A=E026944)											
3	2	105370-12570	ELEMENT	1							
4	2	105370-12530	CASE ASSY, CLEANER	1							
4-1	2	105370-12531	COVER ASSY	1							R
(A=E026944)											
7	2	105370-12540	PAN ASSY, DUST	1							
8	2	105370-12670	BAFFLE	1							
9	1	105300-12550	BOLT	1							
10	1	101147-12550	NUT	1							
11	1	26106-080202	BOLT, M8X 20 PLATED	2							
12	1	105190-12050	GASKET	1							

# Fig.9. SILENCER

**SPEC. CODE**  
**D05300-13110**



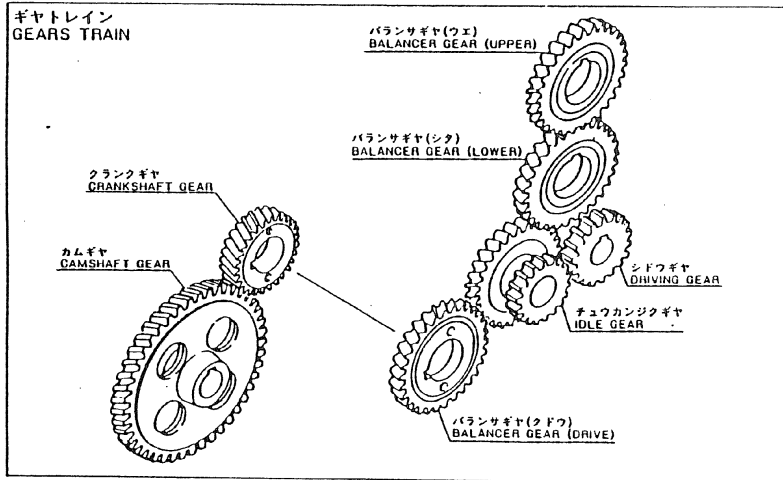
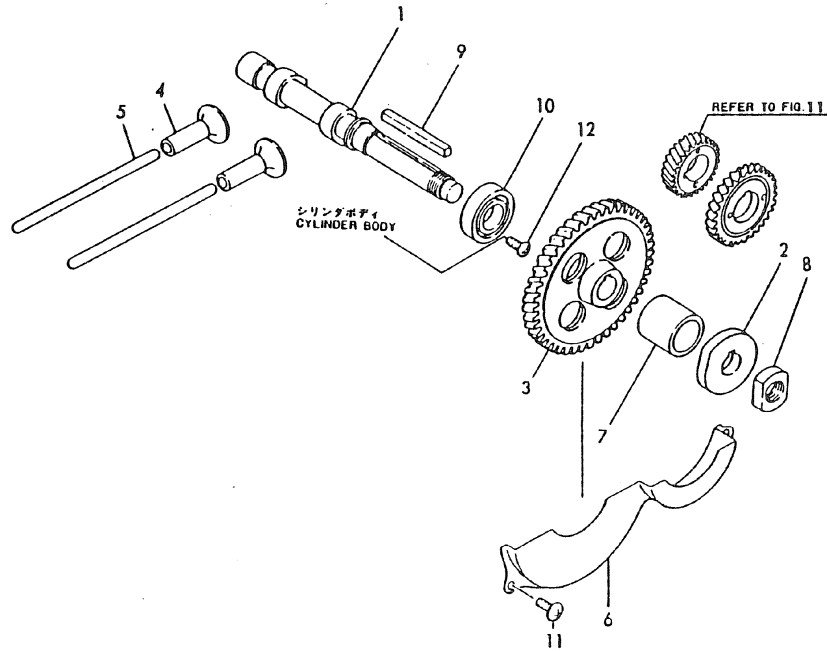
(A)=NF80-LIKFW  
(B)=  
(C)=

(D)=  
(E)=  
(F)=

No.	Lev.	Parts No.	Description	Q'ty						I	R
				(A)	(B)	(C)	(D)	(E)	(F)		
1	1	105300-13200	GASKET, SILENCER	1							
2	1	105300-13521	SILENCER ASSY	1							
2-1	1	105300-13522	SILENCER ASSY	1							R
(A=E026944)											
3	1	105300-13550	COVER	1							
4	1	105370-13570	PIPE	1							
5	1	105212-13590	COVER	1							
6	1	26013-080209	BOLT, M8X 20	3							
7	1	160260-01580	BOLT, FLANGE M6X6	2							
8	1	26554-060162	SCREW, M6X16	1							

# Fig.10. CAMSHAFT

SPEC. CODE  
D05372-14100



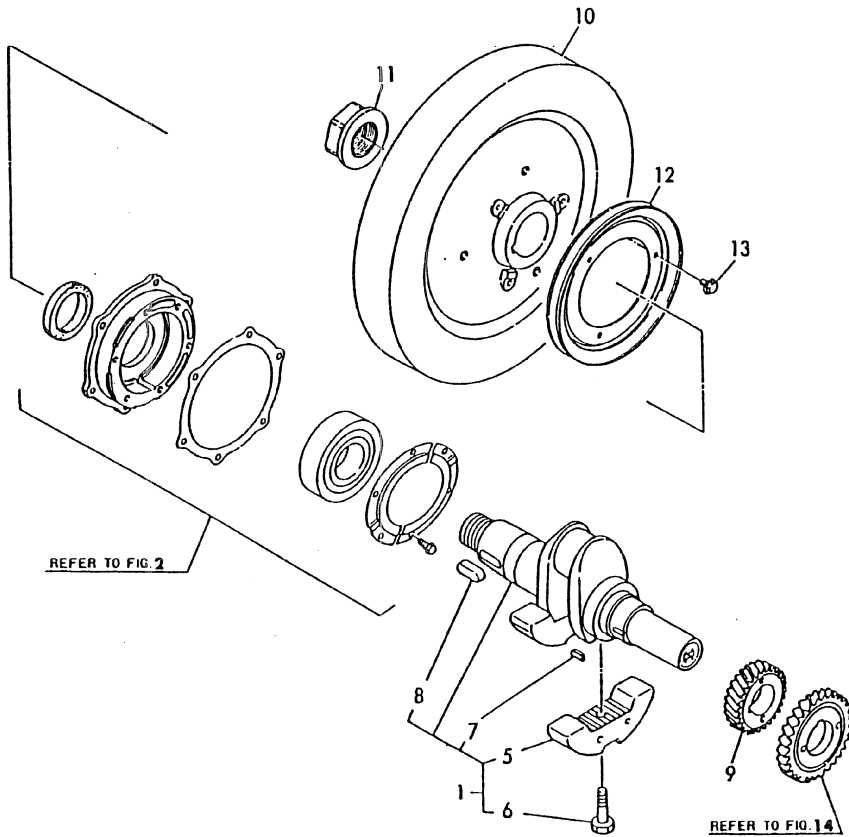
(A)=NF80-LIKFW  
(B)=  
(C)=

(D)=  
(E)=  
(F)=

No.	Lev.	Parts No.	Description	Q'ty						I	R
				(A)	(B)	(C)	(D)	(E)	(F)		
1	1	105300-14010	CAMSHAFT	1							
1-1	1	105400-14010	CAMSHAFT	1							R
(A=E026944)											
2	1	105370-14090	CAM, FUEL		1						
3	1	105300-14100	GEAR, CAMSHAFT		1						
4	1	105300-14200	TAPPET		2						
5	1	105300-14400	ROD, PUSH		2						
6	1	105300-14600	COVER		1						
7	1	105302-14700	SPACER		1						
8	1	104300-76460	NUT		1						
9	1	22512-070600	KEY, 7X 60		1						
10	1	24101-060064	BEARING, BALL 6006		1						
11	1	26022-060122	SCREW, M6X12		3						
12	1	26587-080122	SCREW, M8X12		1						

# Fig.11. CRANKSHAFT

**SPEC. CODE**  
**D05300-21100**



(A)=NF80-LIKFW  
(B)=  
(C)=

(D)=  
(E)=  
(F)=

No.	Lev.	Parts No.	Description	Q'ty						I	R
				(A)	(B)	(C)	(D)	(E)	(F)		
1	1	705300-21700	CRANKSHAFT ASSY	1							
5	2	105300-21100	WEIGHT, BALANCE	2							
6	2	106100-21130	BOLT, BALANCE WEIGHT	2							
7	2	22512-050120	KEY, 5X 12	1							
8	2	22512-100260	KEY, 10X 26	1							
9	1	105300-21200	GEAR, CRANKSHAFT	1							
10	1	105300-21401	FLYWHEEL	1							
11	1	104200-21530	NUT, END	1							
12	1	105300-21600	V-PULLEY	1							
13	1	26106-060122	BOLT, M6X 12 PLATED	3							

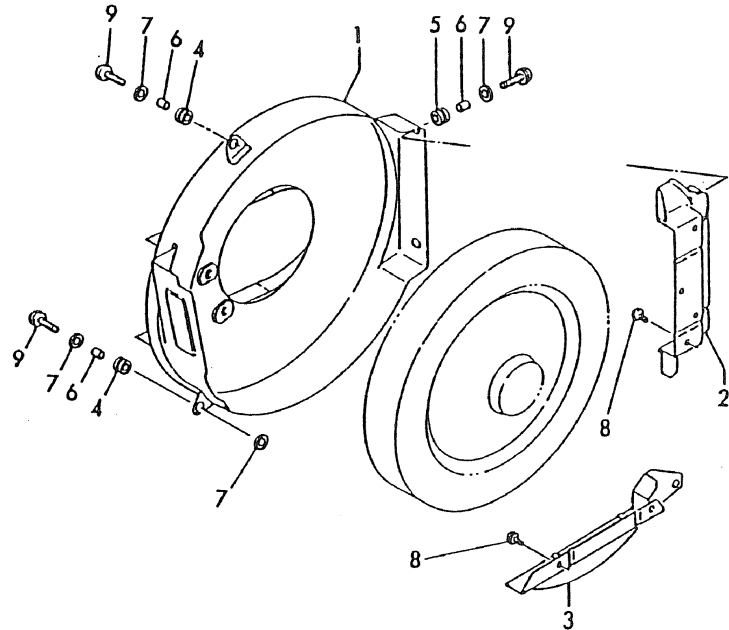
Fig.12. FLYWHEEL COVER

(A)=NF80-LIKFW  
(B)=  
(C)=

(D)=  
(E)=  
(F)=

**SPEC. CODE  
D05378-21400**

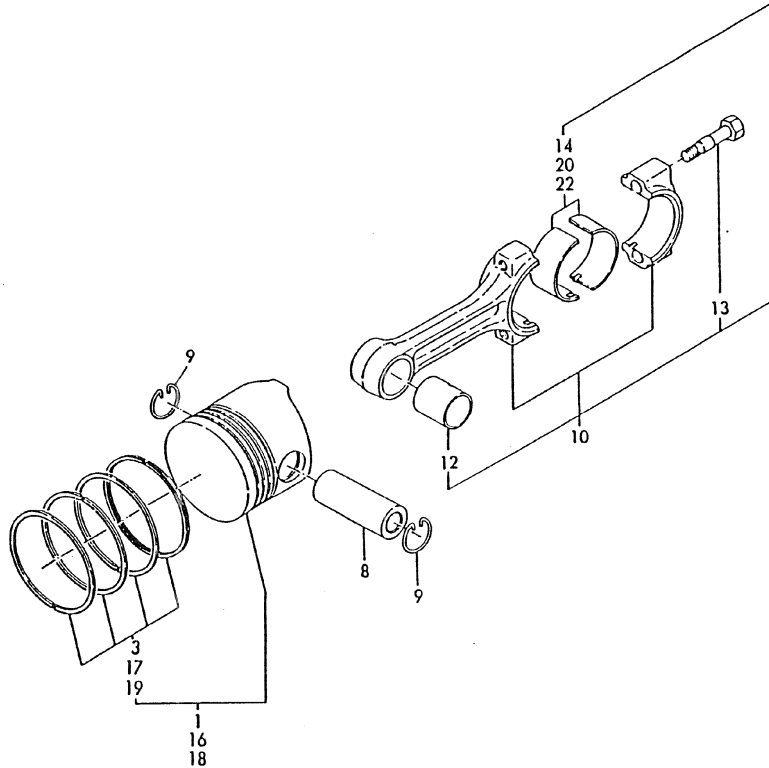
No.	Lev.	Parts No.	Description	Q'ty						I	R
				(A)	(B)	(C)	(D)	(E)	(F)		
1	1	105378-21300	COVER, FLYWHEEL	1							
2	1	105300-21310	COVER	1							
3	1	105302-21320	COVER	1							
4	1	105300-21380	ABSORBER	2							
4-1	1	105300-21381 (A=E021232)	ABSORBER	2							R
5	1	105300-44450	ABSORBER	2							
5-1	1	105300-44451 (A=E021232)	ABSORBER	2							R
6	1	105300-44460	COLLAR	4							
7	1	160120-76940	WASHER	5							
8	1	26033-060142	SCREW M 6X 14	5							
9	1	26033-060202	SCREW M 6X 20	4							





# Fig.13. PISTON & CONNECTING ROD

SPEC. CODE  
D05370-22100  
D05300-23100



(A)=NF80-LIKFW  
(B)=  
(C)=

(D)=  
(E)=  
(F)=

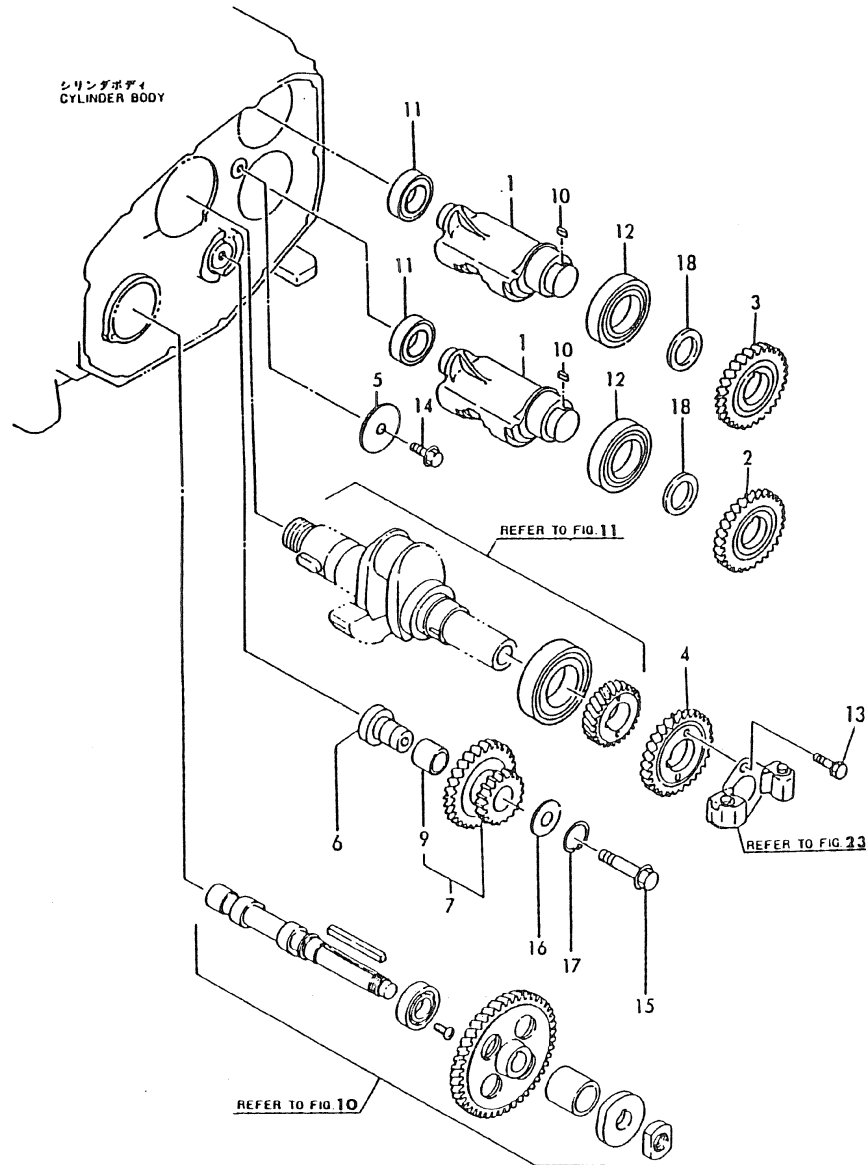
No.	Lev.	Parts No.	Description	Q'ty						I	R
				(A)	(B)	(C)	(D)	(E)	(F)		
1	1	105370-22090	PISTON ASSY, IDI	1							
3	2	704300-22502	RING SET, PISTON	1							
3-1	2	704300-22503	RING SET	1							R
(A=E026944)											
8	1	105300-22300	PIN, PISTON	1							
9	1	105300-22400	CIRCLIP	2							
10	1	705300-23100	ROD ASSY, CONNECTING	1							
12	2	105300-23910	BEARING, PISTON PIN	1							
13	2	105300-23200	BOLT, CONNECTING ROD	2							
14	2	705300-23600	BEARING, CRANK PIN	1							
16	1	105370-22470	PISTON ASSY, 0.25 OS	1							1
17	2	105300-22510	RING SET, 0.25 OS	1							1
18	1	105370-22480	PISTON ASSY, 0.50 OS	1							1
19	2	105300-22520	RING SET, 0.50 OS	1							1
20	1	705300-23610	BEARING ASSY, 0.25	1							2
22	1	705300-23620	BEARING, 0.50 US	1							2

Remarks

- (1) OVER-SIZED PART.
- (2) UNDER-SIZED PART.

Fig.14. BALANCER

SPEC. CODE  
D05302-28101



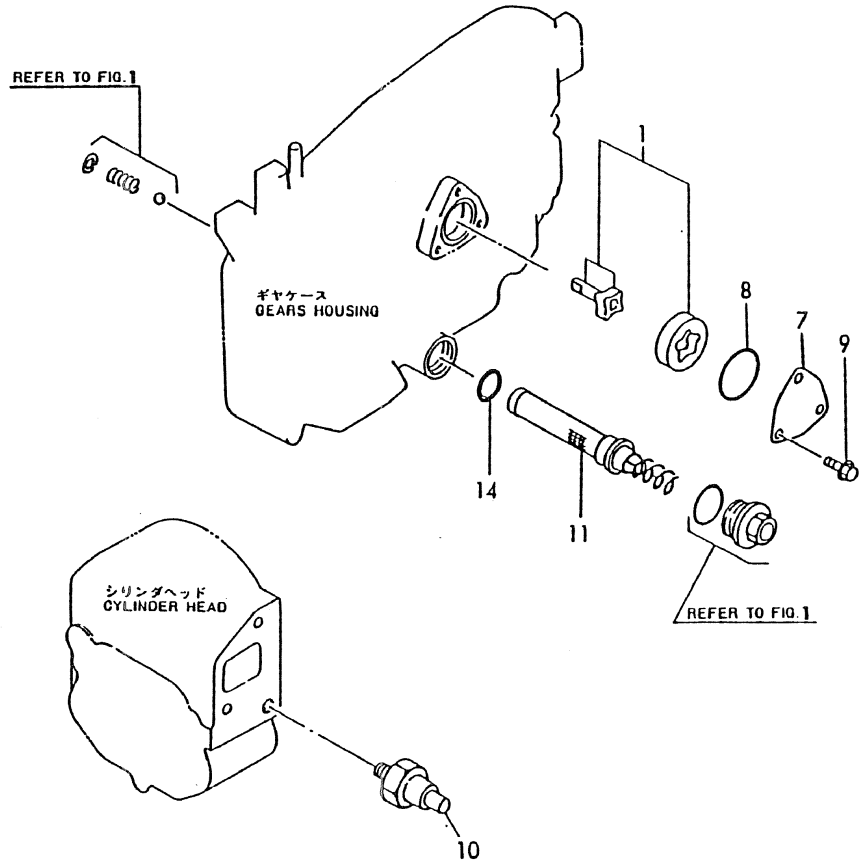
(A)=NF80-LIKFW  
(B)=  
(C)=

(D)=  
(E)=  
(F)=

No.	Lev.	Parts No.	Description	Qty						I	R
				(A)	(B)	(C)	(D)	(E)	(F)		
1	1	105300-28251	SHAFT, BALANCER	2							
2	1	105300-28300	GEAR, BALANCER	1							
3	1	105300-28310	GEAR, BALANCER	1							
4	1	105300-28410	GEAR, BALANCER	1							
5	1	105300-28450	RETAINER	1							
6	1	105302-28701	SHAFT, IDLE GEAR	1							
7	1	105302-28710	GEAR ASSY	1							
9	2	105302-28720	BUSH	1							
10	1	105215-76490	KEY	2							
11	1	24101-060054	BEARING, BALL 6005	2							
12	1	24101-060084	BEARING, BALL 6008	2							
13	1	26013-060222	BOLT, M6X 22	2							
14	1	26106-080162	BOLT, M8X 16 PLATED	1							
15	1	26106-100652	BOLT, M10X 65 PLATED	1							
16	1	105362-28750	SPACER	1							
17	1	22242-000210	RING, 21	1							
18	1	105300-28380	SPACER	2							

Fig.15. LUB. OIL PIPES

SPEC. CODE  
 D05300-32100  
 D05582-34100  
 D05300-35102



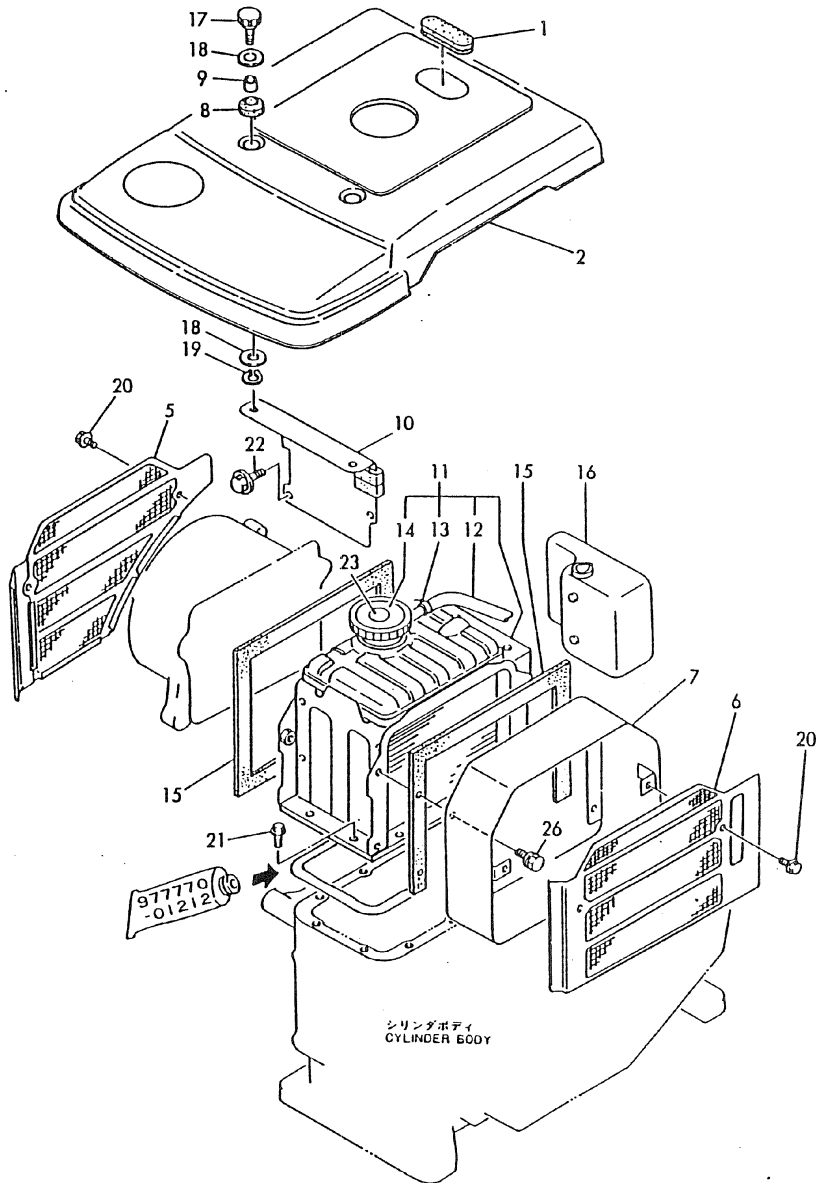
(A)=NF80-LIKFW  
 (B)=  
 (C)=

(D)=  
 (E)=  
 (F)=

No.	Lev.	Parts No.	Description	Q'ty						I	R
				(A)	(B)	(C)	(D)	(E)	(F)		
1	1	705300-32500	ROTOR ASSY	1							
7	1	103338-32070	COVER	1							
8	1	103338-32570	O-RING	1							
9	1	26106-060122	BOLT, M6X 12 PLATED	3							
10	1	105582-34100	SIGNAL	1							
11	1	105300-35052	STRAINER ASSY, OIL	1							
14	1	24341-000200	O-RING, 1AS20.0	1							

Fig.16. RADIATOR

SPEC. CODE  
D05378-44111



(A)=NF80-LIKFW

(B)=

(C)=

(D)=

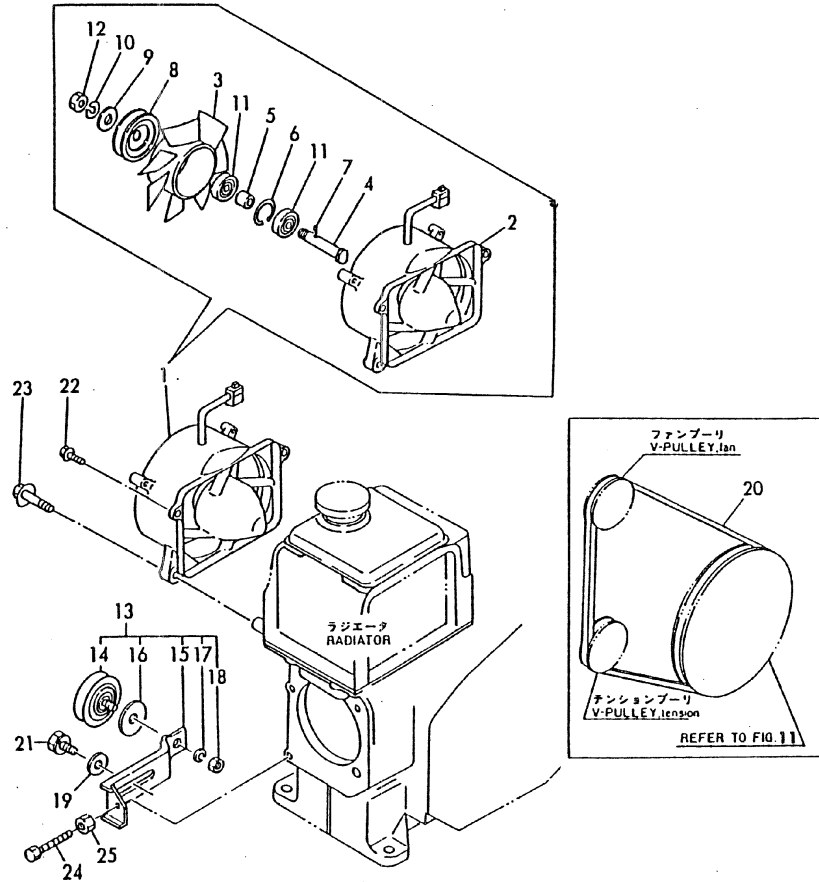
(E)=

(F)=

No.	Lev.	Parts No.	Description	Qty						I	R
				(A)	(B)	(C)	(D)	(E)	(F)		
2	1	105300-44251-3	COVER, RADIATOR	1							
5	1	105300-44330	SCREEN	1							
6	1	105300-44340	SCREEN	1							
7	1	105300-44360	DUCT, SCREEN	1							
8	1	105300-44450	ABSORBER	2							
8-1	1	105300-44451	ABSORBER	2							N
(A=E021232)											
9	1	105300-44460	COLLAR	2							
10	1	105300-44490	STAY	1							
11	1	105300-44500	RADIATOR ASSY	1							
11-1	1	105300-44501	RADIATOR ASSY	1							R
(A=E021232)											
12	2	105300-44570	PIPE, OVERFLOW 7X170	1							
13	2	121250-44590	CLAMP	1							
14	2	105300-44600	CAP ASSY	1							
15	1	104607-44540	SPONGE	2							
16	1	105300-44630	TANK, SUB	1							
17	1	105300-44760	KNOB	2							
17-1	1	105378-44760	KNOB	2							N
(A=E021232)											
18	1	160120-76940	WASHER	4							
19	1	22272-000050	RING, E-5	2							
20	1	26106-060122	BOLT, M6X 12 PLATED	3							
21	1	26013-060142	BOLT, M6X 14	9							
21-1A	1	26013-060142	BOLT, M6X 14	8							K
(A=E021232)											
21-1B	1	26016-060162	BOLT, M6X 16	1							W
(A=E021232)											
22	1	26106-060122	BOLT, M6X 12 PLATED	2							
23	1	105300-07400	LABEL, RADIATOR	1							
26	1	26014-060149	BOLT, M6X 14	4							
26-1	1	26013-060129	BOLT, M6X 12	4							R
(A=E021232)											

Fig.17. FAN

SPEC. CODE  
D05302-44200



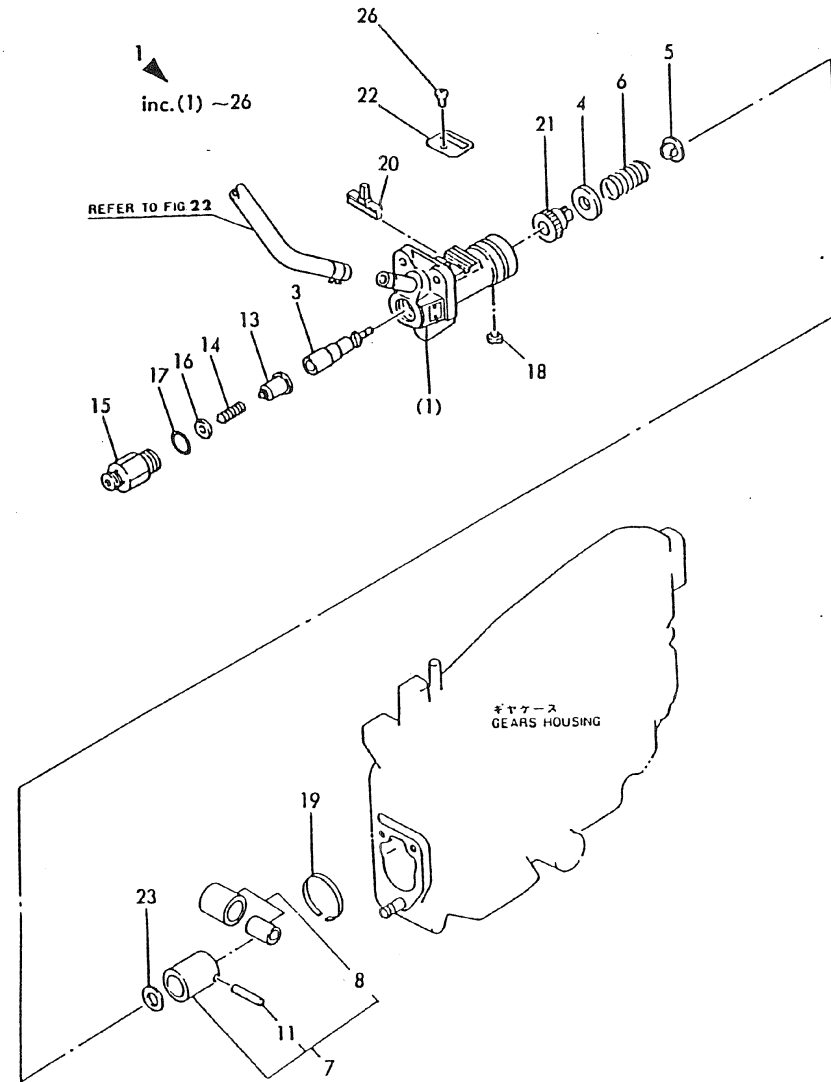
(A)=NF80-LIKFW  
(B)=  
(C)=

(D)=  
(E)=  
(F)=

No.	Lev.	Parts No.	Description	Qty						I	R
				(A)	(B)	(C)	(D)	(E)	(F)		
1	1	105302-44201	CASE ASSY, FAN	1							
2	2	105302-44680	COVER ASSY	1							
3	2	105302-44700	FAN, COOLING	1							
4	2	105340-44710	SHAFT, FAN	1							
5	2	106383-44720	SPACER	1							
6	2	106383-44740	CIRCLIP	1							
7	2	105340-44750	PIN	1							
8	2	105100-44770	PULLEY, FAN	2							
9	2	105100-44780	WASHER, PULLEY	1							
10	2	22217-120000	WASHER, SPRING 12	1							
11	2	24107-062013	BEARING, 6201ZZP6	2							
12	2	26777-120002	NUT, LOCK M12	1							
13	1	105300-44810	PULLEY ASSY, TENSION	1							
14	2	106100-44650	PULLEY, TENSION	1							
15	2	105300-44940	LEVER	1							
16	2	106100-44960	CAP	1							
17	2	22217-080000	WASHER, SPRING 8	1							
18	2	26716-080002	NUT, M8	1							
19	1	22137-080000	WASHER, 8	1							
20	1	25117-003801	V-BELT, M38H	1							
21	1	26013-080162	BOLT, M8X 16	1							
22	1	26106-060252	BOLT, M6X 25 PLATED	2							
23	1	26106-080302	BOLT, M8X 30 PLATED	2							
24	1	26116-060504	BOLT, M6X 50 PLATED	1							
25	1	26756-060002	NUT, LOCK M6	1							

# Fig.18. FUEL INJECTION PUMP

SPEC. CODE  
D05370-51100



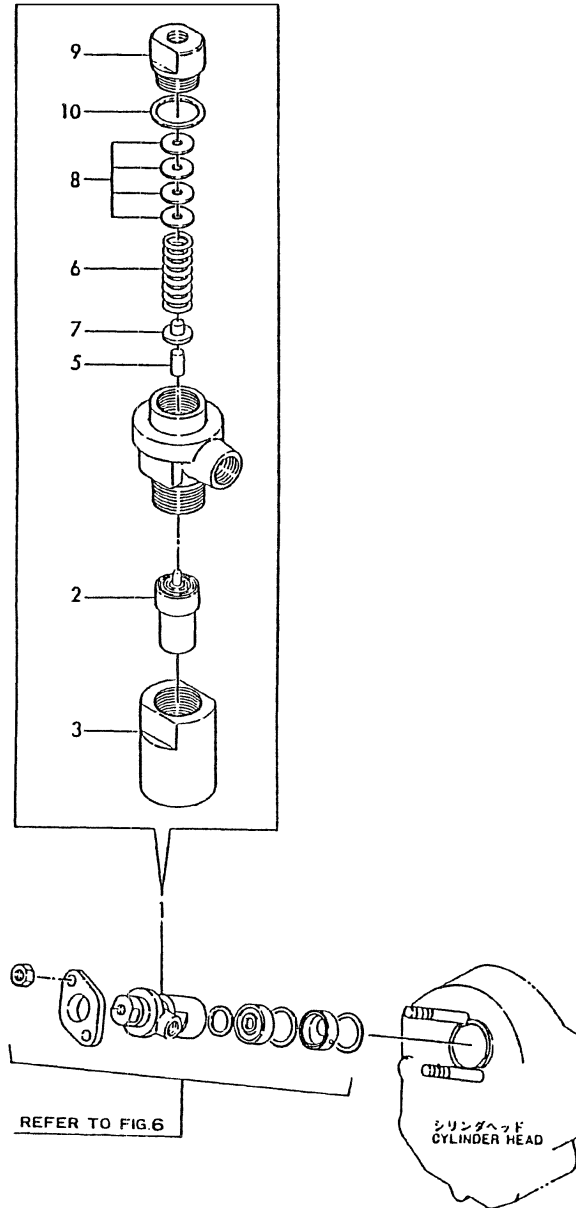
(A)=NF80-LIKFW  
(B)=  
(C)=

(D)=  
(E)=  
(F)=

No.	Lev.	Parts No.	Description	Q'ty						I	R
				(A)	(B)	(C)	(D)	(E)	(F)		
1	1	705370-51100	PUMP ASSY, INJECTION	1							
3	2	105370-51100	PLUNGER ASSY	1							
4	2	174307-51170	RETAINER, SPRING A	1							
5	2	174307-51181	RETAINER, SPRING B	1							
6	2	124950-51190	SPRING, PLUNGER	1							
7	2	724550-51520	GUIDE, PLUNGER	1							
8	3	711100-51540	ROLLER ASSY	1							
11	3	174100-54120	PIN	1							
13	2	105370-51300	VALVE ASSY, DELIVERY	1							
14	2	124550-51320	SPRING, DELIVERY	1							
15	2	124550-51341	HOLDER, DELIVERY L43	1							
16	2	124550-51350	GASKET, DELIVERY	1							
17	2	124550-51370	O-RING	1							
18	2	104271-51450	PIECE, GUIDE	1							
19	2	104271-51460	CIRCLIP	1							
20	2	105300-51500	RACK, CONTROL	1							
21	2	105300-51510	PINION	1							
22	2	105300-51550	RETAINER, RACK	1							
23	2	174307-51700	SHIM SET	1							
26	2	26022-050102	SCREW, M5X10	1							

# Fig.19. FUEL INJECTION VALVE

SPEC. CODE  
D05370-53100



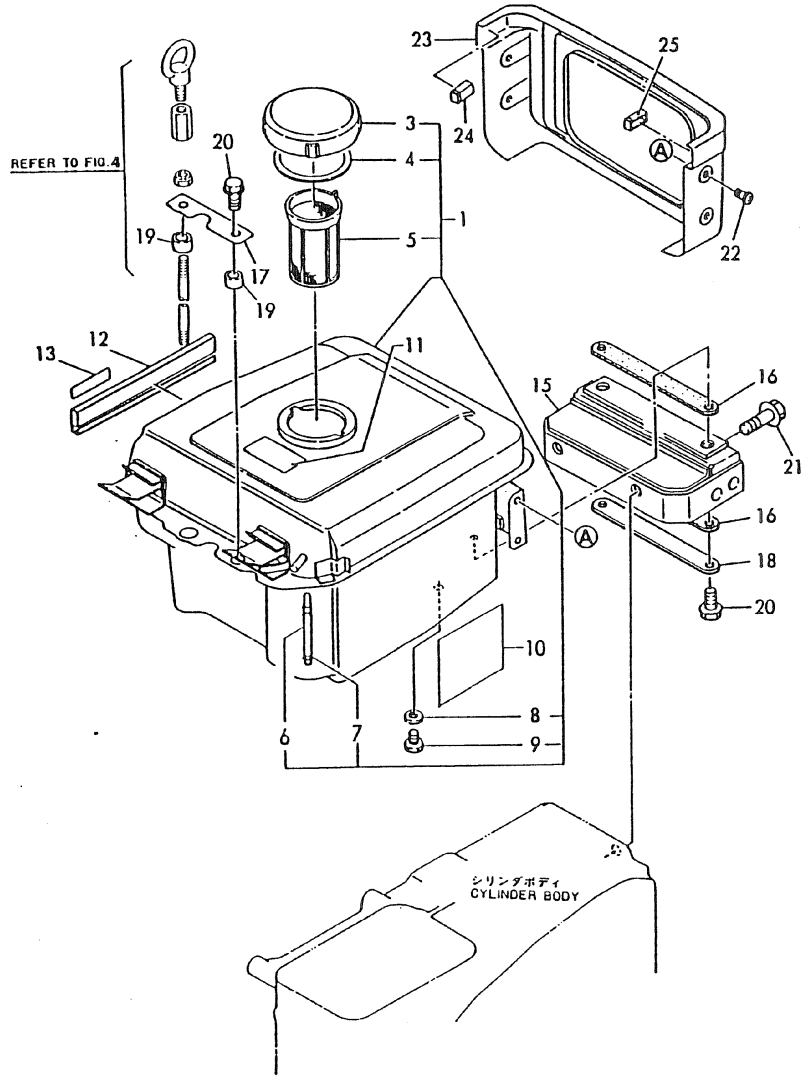
(A)=NF80-LIKFW  
(B)=  
(C)=

(D)=  
(E)=  
(F)=

No.	Lev.	Parts No.	Description	Q'ty						I	R
				(A)	(B)	(C)	(D)	(E)	(F)		
1	1	705370-53100	VALVE ASSY,INJECTION	1							
2	2	172100-53000	VALVE, INJECTION	1							
3	2	104500-53080	NUT, NOZZLE	1							
5	2	113200-53110	SPINDLE, INTER	1							
6	2	103854-53120	SPRING, NOZZLE	1							
7	2	113200-53120	RETAINER, SPRING	1							
8	2	110250-53150	PLATE ASSY, ADJUST	1							
9	2	103854-53180	RETAINER, SPRING	1							
10	2	172100-53200	GASKET	1							

# Fig.20. FUEL TANK

SPEC. CODE  
D05378-55111



(A)=NF80-LIKFW

(B)=

(C)=

(D)=

(E)=

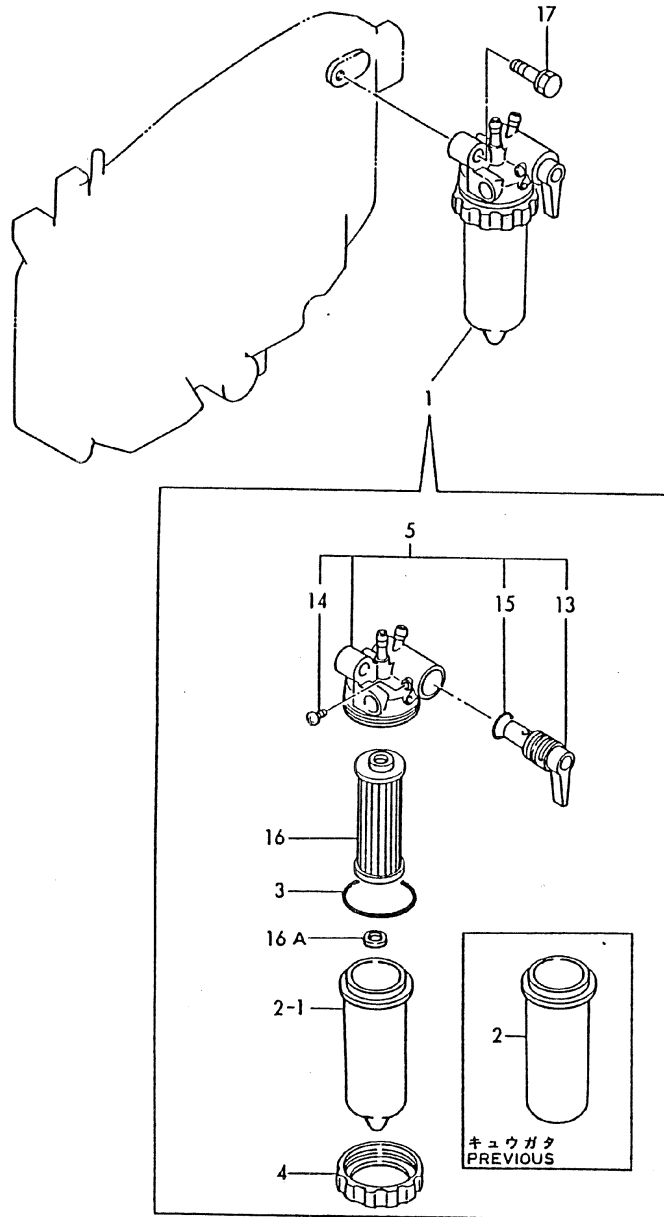
(F)=

No.	Lev.	Parts No.	Description	Q'ty						I	R
				(A)	(B)	(C)	(D)	(E)	(F)		
1	1	705378-55700-3	TANK ASSY, FUEL	1							
1-1	1	705302-55703	TANK ASSY, FUEL	1							S
(A=E021232)											
3	2	105302-55040	CAP, FUEL TANK	1							
4	2	101504-55051	GASKET	1							
5	2	105372-55100	STRAINER, FUEL	1							
6	2	104300-55160	GAUGE, LEVEL	1							
7	2	103854-55220	RETAINER	2							
8	2	23414-080000	GASKET, 8X1.0	1							
9	2	105300-55080	PLUG, 8	1							
10	1	*REF.FIG3=10	LABEL	1							
12	1	105400-55231	MOULDING	2							
13	1	*REF.FIG3=13	LABEL	2							
15	1	105302-55240	STAY, FUEL TANK	1							
16	1	105400-55520	ABSORBER	2							
17	1	105100-55520	RETAINER	1							
17-1	1	105198-55520	RETAINER	1							N
(A=E021232)											
18	1	105500-55530	RETAINER	1							
19	1	105100-55540	COLLAR	2							
20	1	26106-080222	BOLT, M8X 22 PLATED	3							
20-1	1	26106-080202	BOLT, M8X 20 PLATED	3							N
(A=E021232)											
21	1	26106-100162	BOLT, M10X 16 PLATED	2							
22	1	26033-060142	SCREW M 6X 14	4							
23	1	105302-55820	COVER, LIGHT	1							
24	1	105300-55840	PIECE	1							
25	1	105300-55850	PIECE	1							



# Fig.21. FUEL STRAINER

SPEC. CODE  
D05300-55200



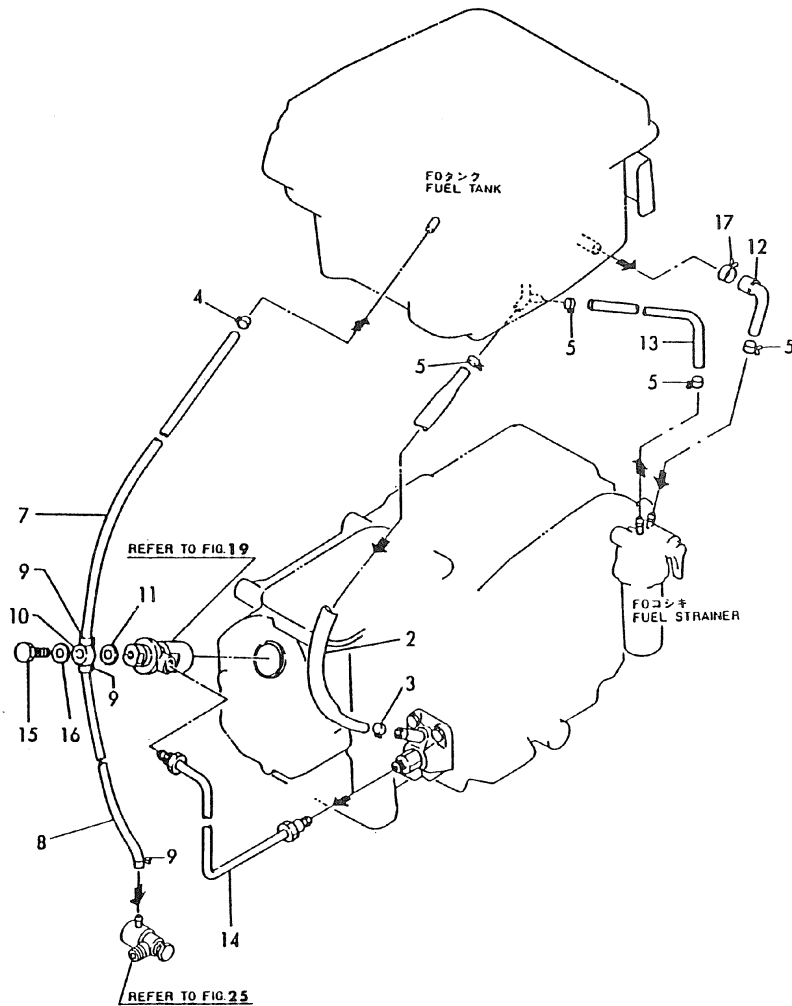
(A)=NF80-LIKFW  
(B)=  
(C)=

(D)=  
(E)=  
(F)=

No.	Lev.	Parts No.	Description	Qty						I	R
				(A)	(B)	(C)	(D)	(E)	(F)		
1	1	105370-55600	STRAINER ASSY, FUEL	1							
1-1	1	105370-55650 (A=EXXX)	STRAINER ASSY, FUEL	1							N
2	2	105300-55510	CUP, STRAINER	1							
2-1	2	105300-55530 (A=EXXX)	CUP, STRAINER	1							N
3	2	105300-55520	O-RING	1							
4	2	105300-55610	RING, RETAINING	1							
5	2	105300-55700	BODY ASSY, STRAINER	1							
13	3	105300-55340	LEVER	1							
14	3	104200-55750	SCREW, M4	1							
15	3	24311-000160	O-RING, 1AP16.0	1							
16	2	105370-55710	ELEMENT	1							
16A	2	105300-55750 (A=EXXX)	FLOAT	1							W
17	1	26106-080302	BOLT, M8X 30 PLATED	1							

Fig.22. FUEL PIPES

SPEC. CODE  
D05372-59102



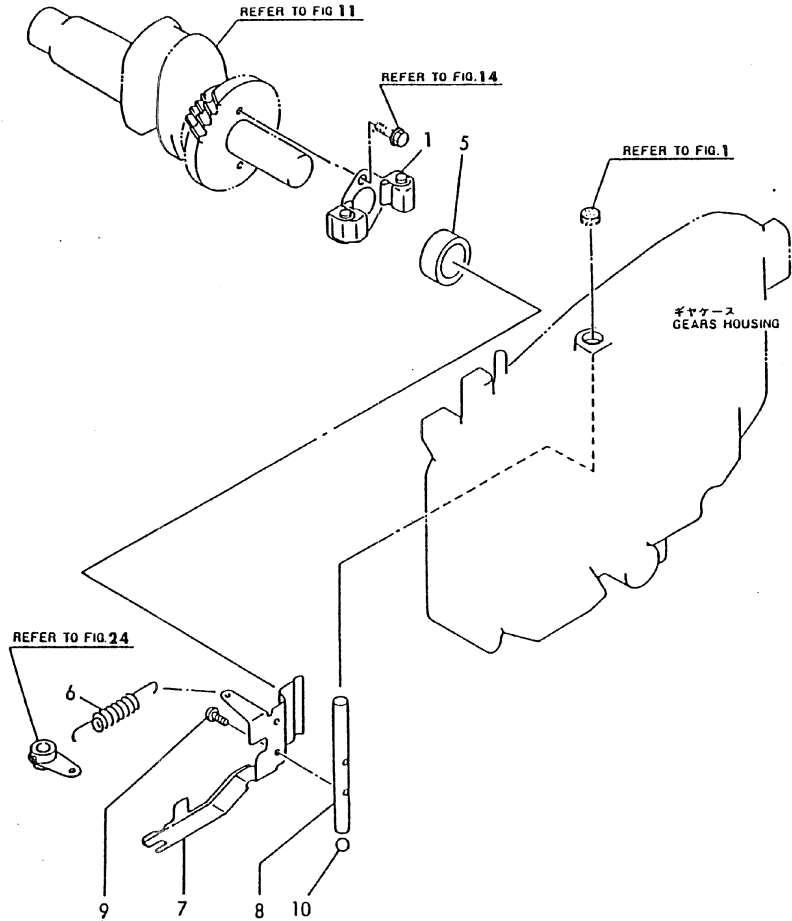
(A)=NF80-LIKFW  
(B)=  
(C)=

(D)=  
(E)=  
(F)=

No.	Lev.	Parts No.	Description	Qty						I	R
				(A)	(B)	(C)	(D)	(E)	(F)		
2	1	105300-59510	PIPE, FUEL	1							
3	1	124766-59050	CLIP, HOSE 12	1							
4	1	124722-59050	CLIP, HOSE 9	1							
5	1	124766-59050	CLIP, HOSE 12	4							
7	1	105370-59100	PIPE, FUEL RETURN	1							
8	1	105192-59100	PIPE, FUEL RETURN	1							
9	1	124722-59050	CLIP, HOSE 9	3							
10	1	105225-59090	JOINT	1							
10-1	1	105370-59090	JOINT	1							N
(A=E024338)											
11	1	104884-59170	GASKET	1							
12	1	105300-59561	PIPE, FUEL	1							
13	1	105300-59570	PIPE, FUEL	1							
14	1	105370-59800	PIPE ASSY, INJECTION	1							
15	1	101147-59810	BOLT, PIPE JOINT M8	1							
16	1	23414-080012	GASKET, 8X1.0	1							
17	1	129301-03660	CLAMP 16	1							

# Fig.23. GOVERNOR & CONTROL DEVICE

SPEC. CODE  
D05300-61100  
D05300-66100



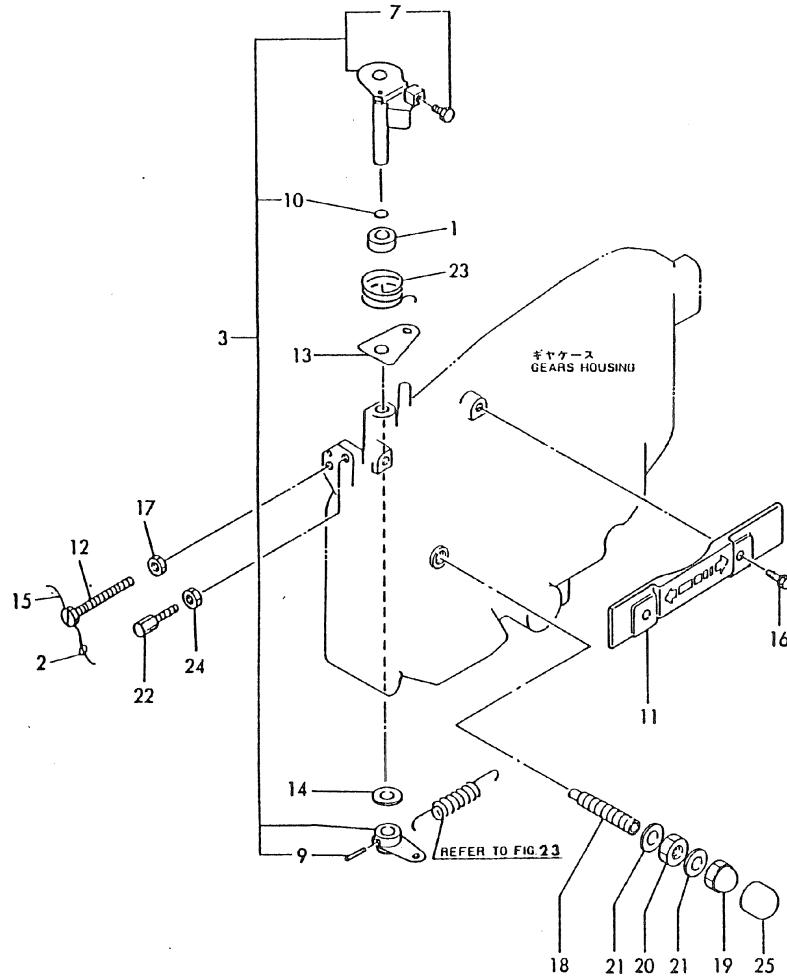
(A)=NF80-LIKFW  
(B)=  
(C)=

(D)=  
(E)=  
(F)=

No.	Lev.	Parts No.	Description	Q'ty						I	R
				(A)	(B)	(C)	(D)	(E)	(F)		
1	1	705300-61701	GOVERNOR ASSY	1							
5	1	105300-61600	SLEEVE, GOVERNOR	1							
6	1	105300-66010	SPRING, REGULATOR	1							
7	1	105300-66300	LEVER, GOVERNOR	1							
8	1	105300-66400	SHAFT	1							
9	1	26022-050102	SCREW, M5X10	2							
10	1	24190-120001	BALL, STEEL 3/8	1							

# Fig.24. REGULATOR HANDLE

SPEC. CODE  
 D05302-66201  
 D05192-66300  
 D05302-67101



(A)=NF80-LIKFW  
 (B)=  
 (C)=

(D)=  
 (E)=  
 (F)=

No.	Lev.	Parts No.	Description	Q'ty						I	R
				(A)	(B)	(C)	(D)	(E)	(F)		
1	1	121575-21850	WASHER	1							
2	1	135210-61090	LEAD	1							
3	1	705302-66530	HANDLE ASSY	1							
7	3	105225-66990	SCREW, M5X8.5	1							
9	2	22322-030200	PIN, TAPER 3X20	1							
10	2	24311-000070	O-RING, 1AP7.0	1							
11	1	105300-66110	COVER	1							
12	1	105300-66520	SCREW	1							
13	1	105300-66850	RETAINER	1							
14	1	22117-100000	WASHER, 10	1							
15	1	22451-060080	WIRE, 0.6X80	1							
16	1	26106-060122	BOLT, M6X 12 PLATED	2							
17	1	26756-060002	NUT, LOCK M6	1							
18	1	105300-66550	LIMITER ASSY, FUEL	1							
18-1	1	105192-66551	LIMITER ASSY, FUEL	1							N
(A=E024338)											
19	1	124060-66950	NUT, CAP M10	1							
20	1	26796-100002	NUT, LOCK M10	1							
21	1	43400-500430	SEAL WASHER 10S	2							
22	1	102100-67080	BOLT, ADJUSTING	1							
23	1	105302-67300	SPRING, RETURN	1							
23-1	1	105502-67301	SPRING, RETURN	1							N
(A=E025422)											
24	1	26756-060002	NUT, LOCK M6	1							
25	1	105300-66610	CAP	1							W
(A=E025422)											

# Fig.25. STARTING DEVICE

SPEC. CODE  
 D05302-76100  
 D05192-76200

(A)=NF80-LIKFW  
 (B)=  
 (C)=

(D)=  
 (E)=  
 (F)=

No.	Lev.	Parts No.	Description	Q'ty						I	R
				(A)	(B)	(C)	(D)	(E)	(F)		
1	1	105302-76330	GEAR, STARTING	1							
2	1	705302-76900	SHAFT ASSY, STARTING	1							
5	1	105300-76470	COLLAR	1							
6	1	105300-76490	KEY, 7X10	1							
8	1	105302-76790	HANDLE ASSY	1							
9	1	22242-000200	RING, 20	1							
10	1	105192-76900	BOOSTER, STARTING	1							
10-1	1	105192-76901	BOOSTER, STARTING	1							N

(A=E024338)

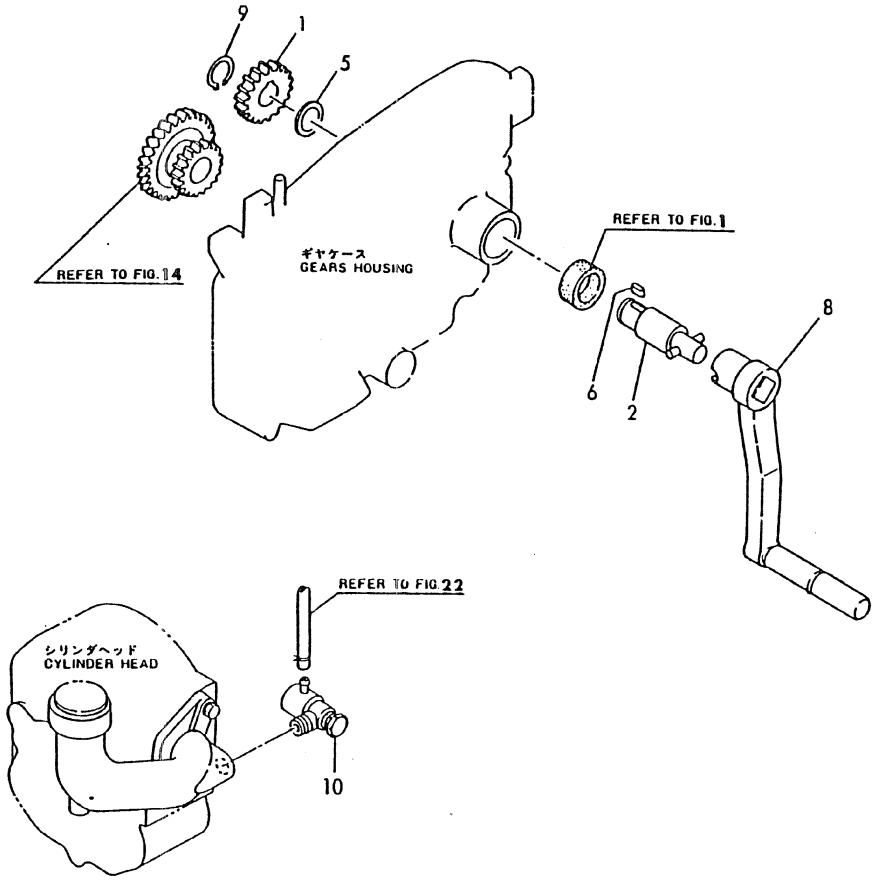
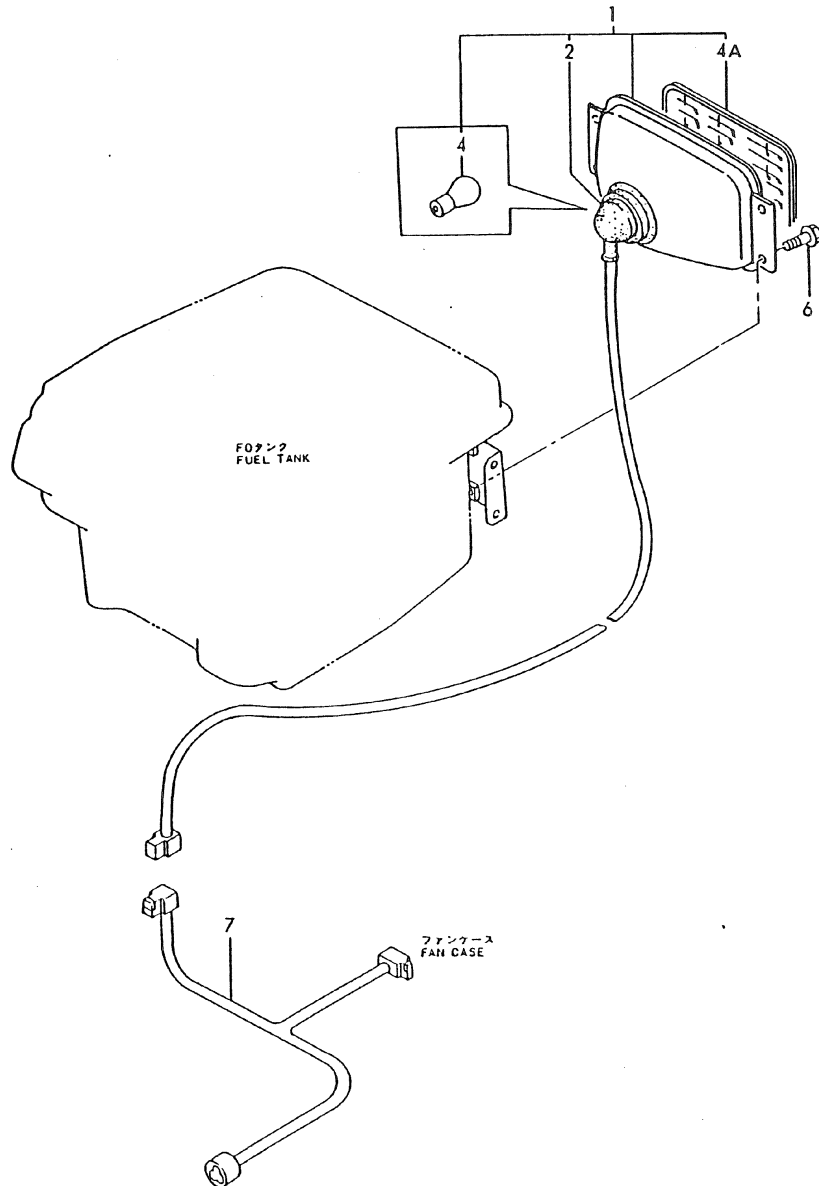


Fig.26. LIGHTING

SPEC. CODE  
D05302-78100



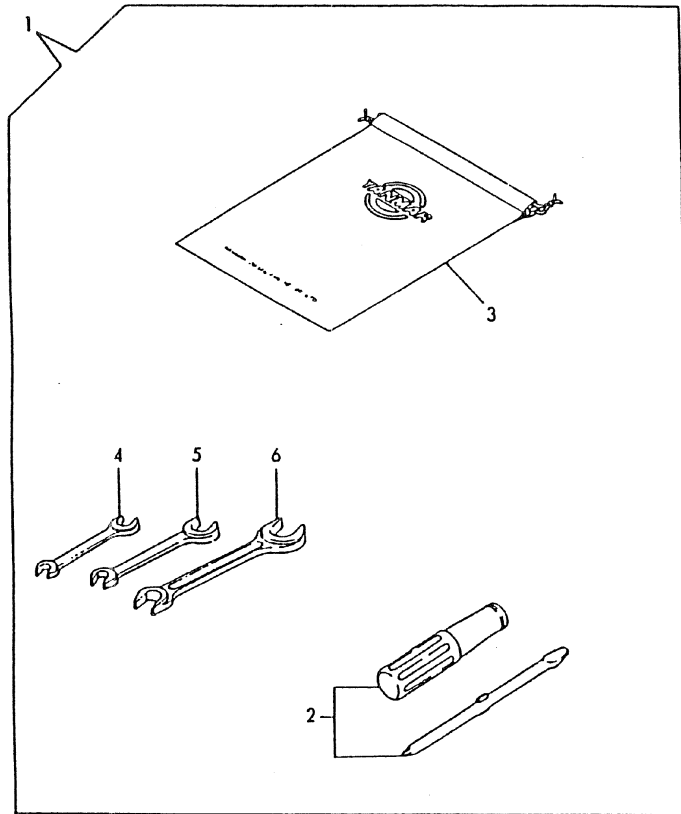
(A)=NF80-LIKFW  
(B)=  
(C)=

(D)=  
(E)=  
(F)=

No.	Lev.	Parts No.	Description	Q'ty						I	R
				(A)	(B)	(C)	(D)	(E)	(F)		
1	1	105372-78020	LAMP ASSY, HEAD	1							
2	2	105372-78040	SOCKET	1							
4	2	105372-78250	BULB, A12V-45/45W	1							
4A	2	105372-78260 (A=E029449)	LENS	1							W
5	1	105192-78530	HARNES, WIRE	1							
6	1	26106-060122	BOLT, M6X 12 PLATED	4							

Fig.27. TOOLS

SPEC. CODE  
D05300-92100



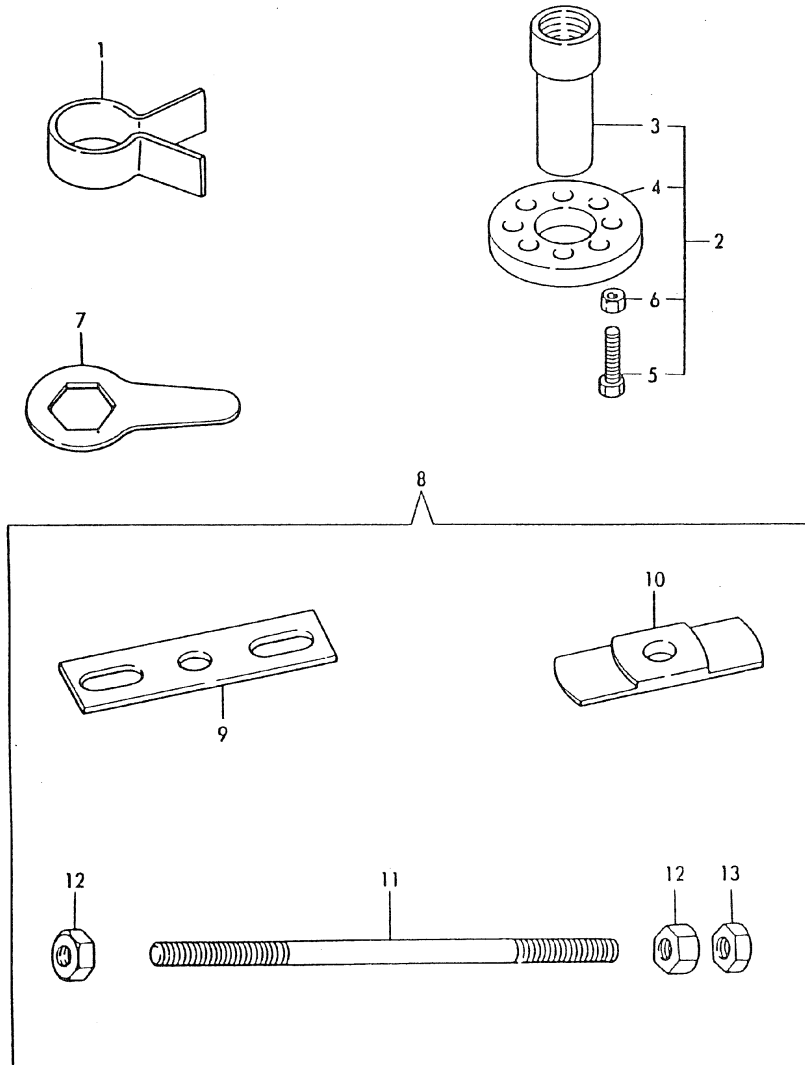
(A)=NF80-LIKFW  
(B)=  
(C)=

(D)=  
(E)=  
(F)=

No.	Lev.	Parts No.	Description	Q'ty						I	R
				(A)	(B)	(C)	(D)	(E)	(F)		
1	1	705300-92100	BOX ASSY, TOOL	1							
2	2	104200-92350	DRIVER, SCREW	1							
3	2	105300-92600	BAG, TOOL	1							
4	2	28110-100120	SPANNER, 10X12	1							
5	2	28110-140170	SPANNER, 14X17	1							
6	2	28110-190220	SPANNER, 19X22	1							

Fig.28. TOOLS(OPTIONAL PARTS)

SPEC. CODE  
D05300-92210



(A)=NF80-LIKFW  
(B)=  
(C)=

(D)=  
(E)=  
(F)=

No.	Lev.	Parts No.	Description	Q'ty						I	R
				(A)	(B)	(C)	(D)	(E)	(F)		
1	1	102700-92140	TOOL, PISTON&RING	1							
2	1	704200-92700	TOOL ASSY, FLYWHEEL	1							
3	2	104200-92110	RETAINER, A	1							
4	2	104200-92120	RETAINER, B	1							
5	2	104200-92130	TOOL	2							
6	2	26717-120002	NUT, M12	2							
7	1	104200-92100	WRENCH	1							
8	1	772300-92210	TOOL ASSY, LINER	1							
9	2	172200-92020	TOOL, LINER REMOVER	1							
10	2	172300-92010	TOOL, LINER REMOVER	1							
11	2	103338-92030	BOLT, LINER REMOVER	1							
12	2	26716-160002	NUT, M16	2							
13	2	26757-160002	NUT, LOCK M16	1							





## Parts No. Index

Parts No.	Fig. No.	Ref. No.
*REF.FIG3=10	20	10
*REF.FIG3=13	20	13
101104-01760	1	30
101147-11900	6	27
101147-12550	8	10
101147-59810	22	15
101158-03061	3	2
101158-03111	3	3
101158-11120	6	9
101158-11180	6	10
101158-11190	6	11
101158-11230	6	22
		25
101504-55051	20	4
102100-67080	24	22
102700-92140	28	1
103338-32070	15	7
103338-32570	15	8
103338-92030	28	11
103854-53120	19	6
103854-53180	19	9
103854-55220	20	7
104107-07900	4	1
104200-03600	7	3
104200-03641	7	4
104200-21530	11	11
104200-55750	21	14
104200-92100	28	7
104200-92110	28	3
104200-92120	28	4
104200-92130	28	5
104200-92350	27	2
104271-01950	1	29
104271-51450	18	18
104271-51460	18	19
104300-55160	20	6
104300-76460	10	8
104500-53080	19	3
104607-44540	16	15
104884-59170	22	11
105010-11920	6	15
105025-11490	6	20
105100-01660	1	23
105100-44770	17	8
105100-44780	17	9
105100-55520	20	17
105100-55540	20	19
105140-76500	1	22
105190-12050	8	12
105192-59100	22	8

Parts No.	Fig. No.	Ref. No.
105192-66551	24	18 -1
105192-76900	25	10
105192-76901	25	10 -1
105192-78530	26	5
105198-55520	20	17 -1
105212-13590	9	5
105215-76490	14	10
105225-59090	22	10
105225-66990	7	8
	24	7
105230-01200	1	4
105230-02320	2	3
105300-01300	1	9
105300-01331	1	10
105300-01410	1	27
105300-01480	1	11
105300-01690	1	34
105300-01750	1	28
105300-02020	2	6
105300-03081	3	1
105300-03082	3	1 -1
105300-03130	3	6
105300-07400	3	15
	16	23
105300-07910	4	2
105300-07940	4	3
105300-08510	5	2
105300-11100	6	7
105300-11110	6	8
105300-11111	6	8 -1
105300-11160	6	3
105300-11290	6	16
105300-11310	7	12
105300-11330	6	4
105300-11650	6	21
105300-11660	6	24
105300-12510	8	2
105300-12511	8	2 -1
105300-12550	8	9
105300-13200	9	1
105300-13521	9	2
105300-13522	9	2 -1
105300-13550	9	3
105300-14010	10	1
105300-14100	10	3
105300-14200	10	4
105300-14400	10	5
105300-14600	10	6
105300-21100	11	5
105300-21200	11	9

Parts No.	Fig. No.	Ref. No.
105300-21310	12	2
105300-21380	12	4
105300-21381	12	4 -1
105300-21401	11	10
105300-21600	11	12
105300-22300	13	8
105300-22400	13	9
105300-22510	13	17
105300-22520	13	19
105300-23200	13	13
105300-23910	13	12
105300-28251	14	1
105300-28300	14	2
105300-28310	14	3
105300-28380	14	18
105300-28410	14	4
105300-28450	14	5
105300-34040	1	20
105300-35052	15	11
105300-44251-3	16	2
105300-44330	16	5
105300-44340	16	6
105300-44360	16	7
105300-44450	12	5
	16	8
105300-44451	12	5 -1
	16	8 -1
105300-44460	12	6
	16	9
105300-44490	16	10
105300-44500	16	11
105300-44501	16	11 -1
105300-44570	16	12
105300-44600	16	14
105300-44630	16	16
105300-44760	16	17
105300-44810	17	13
105300-44940	17	15
105300-51500	18	20
105300-51510	18	21
105300-51550	18	22
105300-55080	20	9
105300-55340	21	13
105300-55510	21	2
105300-55520	21	3
105300-55530	21	2 -1
105300-55610	21	4
105300-55700	21	5
105300-55750	21	16 A
105300-55840	20	24

Parts No.	Fig. No.	Ref. No.
105300-55850	20	25
105300-59510	22	2
105300-59561	22	12
105300-59570	22	13
105300-61600	23	5
105300-66010	23	6
105300-66110	24	11
105300-66300	23	7
105300-66400	23	8
105300-66520	24	12
105300-66550	24	18
105300-66610	24	25
105300-66850	24	13
105300-76470	25	5
105300-76490	25	6
105300-92600	27	3
105302-01750	1	28 -1
105302-03740	7	5
105302-08101	5	1
105302-14700	10	7
105302-21320	12	3
105302-28701	14	6
105302-28710	14	7
105302-28720	14	9
105302-44201	17	1
105302-44680	17	2
105302-44700	17	3
105302-55040	20	3
105302-55240	20	15
105302-55820	20	23
105302-67300	24	23
105302-76330	25	1
105302-76790	25	8
105340-44710	17	4
105340-44750	17	7
105362-28750	14	16
105362-78960	3	4
105370-11400	6	17
105370-11410	6	18
105370-12530	8	4
105370-12531	8	4 -1
105370-12540	8	7
105370-12570	8	3
105370-12670	8	8
105370-13570	9	4
105370-14090	10	2
105370-22090	13	1
105370-22470	13	16
105370-22480	13	18
105370-51100	18	3

## Parts No. Index

Parts No.	Fig. No.	Ref. No.
105370-51300	18	13
105370-55600	21	1
105370-55650	21	1 -1
105370-55710	21	16
105370-59090	22	10 -1
105370-59100	22	7
105370-59800	22	14
105372-12020	8	1
105372-55100	20	5
105372-78020	26	1
105372-78040	26	2
105372-78250	26	4
105372-78260	26	4 A
105378-07060	3	9
105378-07100	3	10
105378-07130	3	11
105378-07190	3	13
105378-07380	3	14
105378-21300	12	1
105378-44760	16	17 -1
105400-11121	6	9 -1
105400-14010	10	1 -1
105400-55231	20	12
105400-55520	20	16
105500-55530	20	18
105502-67301	24	23 -1
105582-34100	15	10
106100-21130	11	6
106100-44650	17	14
106100-44960	17	16
106200-02300	2	7
106200-02310	2	8
106383-44720	17	5
106383-44740	17	6
110250-53150	19	8
113200-53110	19	5
113200-53120	19	7
121250-44590	16	13
121450-01220	1	6
121550-01200	1	5
121575-21850	24	1
123325-02500	2	4
124060-66950	24	19
124220-11450	6	19
124550-51320	18	14
124550-51341	18	15
124550-51350	18	16
124550-51370	18	17
124722-59050	22	4
		9

Parts No.	Fig. No.	Ref. No.
124766-59050	22	3
		5
124950-51190	18	6
129301-03660	22	17
135210-61090	24	2
160120-76940	12	7
	16	18
160260-01580	9	7
172100-53000	19	2
172100-53200	19	10
172200-92020	28	9
172300-92010	28	10
174100-54120	18	11
174307-51170	18	4
174307-51181	18	5
174307-51700	18	23
22117-100000	24	14
22137-080000	17	19
22217-080000	1	35
	17	17
22217-120000	17	10
22242-000200	25	9
22242-000210	14	17
22242-000450	2	9
22252-000100	1	21
22272-000050	16	19
22312-030180	7	9
22322-030180	7	10
22322-030200	24	9
22351-060012	1	3
		18
22451-060080	24	15
22512-050120	11	7
22512-070600	10	9
22512-100260	11	8
23064-090400	3	5
23414-080000	20	8
23414-080012	22	16
24101-060054	14	11
24101-060064	10	10
24101-060084	14	12
24107-062013	17	11
24190-120001	1	19
	23	10
24311-000060	1	33
24311-000070	7	11
	24	10
24311-000160	21	15
24321-000250	1	24
24341-000200	15	14

Parts No.	Fig. No.	Ref. No.
25117-003801	17	20
26013-060129	16	26 -1
26013-060142	16	21
		21 -1A
26013-060222	14	13
26013-080162	17	21
26013-080202	2	10
		10 -1
26013-080209	9	6
26014-060149	16	26
26016-060162	16	21 -1B
26022-050102	18	26
	23	9
26022-060122	10	11
26023-060252	3	7
26033-060142	12	8
	20	22
26033-060202	12	9
26106-060122	5	6
	11	13
	15	9
	16	20
	24	16
	26	6
26106-060162	1	12
26106-060202	7	13
26106-060252	1	31
	17	22
26106-060602	7	14
26106-060652	1	32
26106-080162	14	14
26106-080202	8	11
	20	20 -1
26106-080222	20	20
26106-080302	17	23
	21	17
26106-100162	20	21
26106-100652	14	15
26116-060102	2	5
26116-060504	17	24
26216-080222	1	25
		37
26216-080452	6	12 -1
26216-080502	6	12
26216-080752	6	13
26366-080002	1	26
	6	14
		28
26554-060162	9	8

Parts No.	Fig. No.	Ref. No.
26557-060082	5	7
26587-080122	10	12
26617-100002	4	4
26716-080002	1	36
	17	18
26716-160002	28	12
26717-120002	28	6
26756-060002	17	25
	24	17
		24
26756-080002	6	23
		26
26757-160002	28	13
26777-120002	17	12
26796-100002	24	20
27231-150000	6	6
28110-100120	27	4
28110-140170	27	5
28110-190220	27	6
43400-500430	24	21
704200-92700	28	2
704300-22502	13	3
704300-22503	13	3 -1
705300-01561	1	1
705300-01900	1	7
705300-02500	2	1
705300-21700	11	1
705300-23100	13	10
705300-23600	13	14
705300-23610	13	20
705300-23620	13	22
705300-32500	15	1
705300-61701	23	1
705300-92100	27	1
705302-01501	1	13
705302-01502	1	13 -1
705302-11520	7	1
705302-55703	20	1 -1
705302-66530	24	3
705302-76900	25	2
705370-11701	6	1
705370-51100	18	1
705370-53100	19	1
705378-55700-3	20	1
711100-51540	18	8
724550-51520	18	7
772300-92210	28	8