

OCD10-M24503EN

# PREFACE

1. This Parts Catalog is the 1st edition of 3T84H(T)LE-TB(S) Diesel Engine for TAKEUCHI IND..

Pub. No. : 000Y00D2453

Published : April, 1992

2. Model name

Engine model	Vehicle		Vehicle made by
	Products	Model name	
3T84H(T)LE-TB(S)	EXCAVATOR	—	TAKEUCHI IND.

## Directions for the Parts Catalog.

1. The parts stipulated in this Parts Catalog are not necessarily standard equipped parts.
2. Parts may change without prior notice.
3. The following is an example of the Parts Catalog format.

REF.	LEV.	PARTS NO.	DESCRIPTION	Q'TY						I	R
				(A)	(B)	(C)	(D)	(E)	(F)		
1	1	729595-51390	FUEL INJECTION PUMP	1	1	1	1	1			1
1-1	1	729595-51391	FUEL INJECTION PUMP	1	1	1	1	1		N	1
		(A=E00185) (B=E00200)									
3	2	26022-060162	SCREW M 6X 16	9	9	9	9	9			
3-1	2	26022-060162	SCREW M 6X 16	4	4	4	4	4		K	
		(A=E00156) (B=E00156) (C=E00156) (D=E00156) (E=E00156)									
4	2	129470-51040	CAMSHAFT	1	1	1	1	1			
5	2	122710-51050	BEARING, ROLLER	2	2	2	2	2			
6	2	129470-51060	RETAINER	1	1	1	1	1			

Remarks
(1) BOOST COMPEMSATOR TYPE. OPTIONAL PART, TO E00155,(4JH-DT, 4JH-DTZ

### ① Ref. No.

The Ref. No. listed may not be in accordance with the illustration Ref. No.

(Ex.) Illustration No.

List Ref No.

1

1

(Before change)

1-1

(After change)

For interchangeable symbols N, R and K, illustrations for new parts may be abbreviated.

### ② Lev. (Level)

Level indication

The numbers below indicate the level of relativity towards the main part.

1 ----- Main parts (Assembly parts)

2 ----- Sub component included in " 1 ".

3 ----- Sub component included in " 2 ".

Note) Parts that are not for sale are partially illustrated but not listed.

### ③ Interchangeability Mark

When a part change takes place, one of the following interchangeability symbols is indicated beside the part.

Symbol	Interchangeability	Contents note
N	Old $\begin{matrix} \leftarrow \text{Yes} \\ \text{No} \rightarrow \end{matrix}$ New	New Part is interchangeable for Old Part but Old Part is not interchangeable for New Part.
Q	Old $\begin{matrix} \leftarrow \text{No} \\ \text{Yes} \rightarrow \end{matrix}$ New	New Part is not interchangeable for Old Part but Old Part is interchangeable for New Part.
R	Old $\begin{matrix} \leftarrow \text{Yes} \\ \text{Yes} \rightarrow \end{matrix}$ New	New/ Old Parts are both interchangeable.
S	Old $\begin{matrix} \leftarrow \text{No} \\ \text{No} \rightarrow \end{matrix}$ New	New/ Old Parts are both not interchangeable.
W		Part newly added.
Z		Part discontinued.
F		Not interchangeable by a single part but interchangeable together with related parts.
K		Changes only for used parts quantities.

### ④ Effective Machine No.

When a part changes, the effective Machine No. will be indicated in the (A)-(F) column.

Product Symbol	Product No.	Product Symbol	Product No.
C	Clutch No. Compressor No.	F	Machine No. (Agricultural Equip.)
D	Drive No.	M	Machine No.
E	Engine No.		

Note 1) A date may follow the symbol. (Ex.) 1996.01

Note 2) "XXXXX" and "ZZZZZ" are for parts that could not be predicted or for engine models that could not be identified.

Note 3) (A=E00185) is the E (Engine Serial Number) for the column (A) model (in this case 4JH-DT) after the parts design change.

### ⑤ Remarks Mark

Figures or alphabets (symbols) are entered in the remarks column.

The comments (remarks) on parts that are indicated at the bottom of the illustration are the same symbols as those stated above.

# Contents

Fig. No.    Fig. Name

## 3T84HLE-TBS

1. CYLINDER BLOCK
2. GEAR HOUSING
3. LUB.OIL SUMP
4. MOUNTING FLANGE
5. BLOCK BLIND COVER
6. MAIN BEARING HOUSING
7. CAMSHAFT BEARING
8. BREATHER
9. ENGINE LIFTER
10. CYLINDER HEAD
11. BONNET
12. HEAD BLIND COVER
13. AIR CLEANER
14. SUCTION MANIFOLD
15. EXHAUST MANIFOLD
16. CAMSHAFT
17. CRANKSHAFT
18. FLYWHEEL
19. PISTON
20. CONNECTING ROD
21. LUB. OIL PUMP
22. LUB.OIL DIPSTICK
23. LUB. OIL STRAINER
24. LUB. OIL PIPES

Fig. No.    Fig. Name

25. COOLING WATER PUMP
26. RADIATOR & COOLING WATER FAN
27. COOLING WATER PIPES
28. THERMOSTAT
29. FUEL INJECTION PUMP
30. FUEL INJECTION VALVE
31. FUEL STRAINER
32. FUEL INJECTION PIPE
33. FUEL OIL PIPES
34. GOVERNOR DRIVING
35. CONTORL DEVICE
36. ELECTRIC EQUIPMENT
37. STARTING MOTOR COMPONENT PARTS
38. GENERATOR COMPONENT PARTS
39. THERMOSTAT
40. GASKET SET & TOOLS

## 3T84HTLE-TB

41. CYLINDER BLOCK
42. GEAR HOUSING
43. LUB.OIL SUMP
44. MOUNTING FLANGE
45. BLOCK BLIND COVER
46. MAIN BEARING HOUSING
47. CAMSHAFT BEARING

# Contents

Fig. No. Fig. Name

- 48. BREATHER
- 49. ENGINE LIFTER
- 50. CYLINDER HEAD
- 51. BONNET
- 52. AIR CLEANER
- 53. SUCTION MANIFOLD
- 54. SILENCER
- 55. EXHAUST MANIFOLD
- 56. CAMSHAFT
- 57. TURBOCHARGER
- 58. CRANKSHAFT
- 59. FLYWHEEL
- 60. PISTON
- 61. CONNECTING ROD
- 62. LUB. OIL PUMP
- 63. LUB.OIL COOLER
- 64. LUB.OIL DIPSTICK
- 65. LUB. OIL STRAINER
- 66. LUB. OIL LINE
- 67. COOLING WATER PUMP
- 68. COOLING WATER FAN & RADIATOR
- 69. COOLING WATER LINE
- 70. THERMOSTAT
- 71. FUEL INJECTION PUMP
- 72. FUEL INJECTION VALVE

Fig. No. Fig. Name

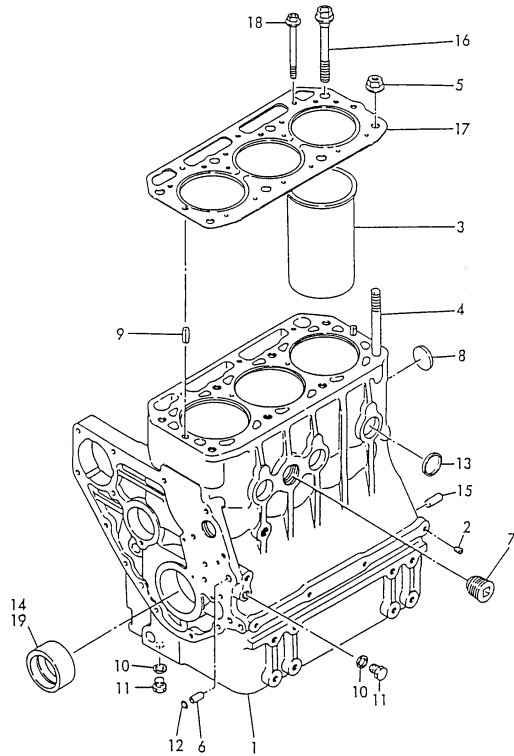
- 73. FUEL STRAINER
- 74. FUEL INJECTION LINE
- 75. FUEL LINE
- 76. GOVERNOR DRIVING
- 77. CONTROL DEVICE
- 78. ELECTRIC PARTS
- 79. GLOW PLUG
- 80. TOOL
- 81. TURBOCHARGER(COMPONENT PARTS)
- 82. STARTING MOTOR COMPONENT PARTS
- 83. GENERATOR COMPONENT PARTS
- 84. GASKET SET

Fig.1. CYLINDER BLOCK

(A)=3T84HLE-TBS  
 (B)=3T84HTLE-TB  
 (C)=

(D)=  
 (E)=  
 (F)=

SPEC. CODE  
 D29335-01100



No.	Lev.	Parts No.	Description	Q'ty						I	R
				(A)	(B)	(C)	(D)	(E)	(F)		
1	1	729350-01560	BLOCK ASSY, CYLINDER	1							
2	2	124060-01050	PLUG, PT1/8	6							
3	2	129350-01100	LINER, CYLINDER	3							
4	2	124950-01210	BOLT, HEAD	2							
5	2	121450-01220	NUT, CYLINDER HEAD	2							
6	2	124085-01900	GUIDE	2							
7	2	171051-01921	PLUG, NPTF1	1							
8	2	121450-01990	PLUG, 30	1							
9	2	22351-060012	PIN, SPRING 6.0X12	2							
10	2	23414-120016	GASKET, 12X1.0	2							
11	2	23881-120002	PLUG	2							
12	2	24311-000100	O-RING, 1AP10.0	2							
13	2	27241-300000	PLUG 30	6							
14	2	129350-02100	BEARING, MAIN	1							
15	2	22312-080160	PIN, PARALLEL M8X16	2							
16	1	129350-01200	BOLT, HEAD	6							
17	1	129350-01331	GASKET, HEAD	1							\$
18	1	129350-01230	BOLT, HEAD	3							
19	1	129350-02310	BEARING, 0.25 US	1							1

Remarks

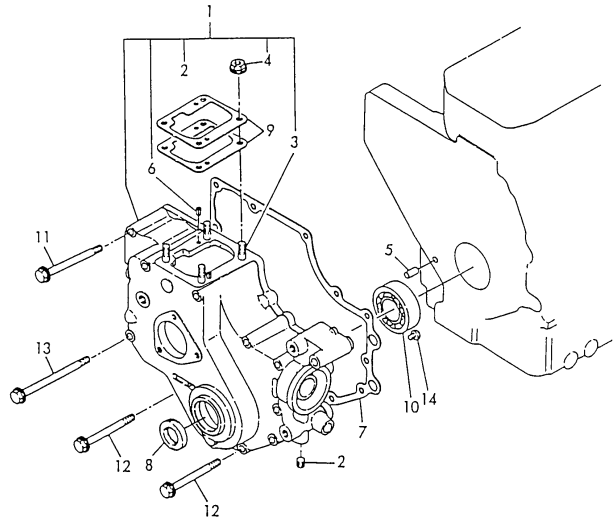
(1) UNDER-SIZED(U.S.=0.25)PART.  
 (\$) THESE PARTS ARE SOLD BY FIG.40,  
 REF.NO.6,6-1,6-2,6-3.

Fig.2. GEAR HOUSING

(A)=3T84HLE-TBS  
 (B)=3T84HTLE-TB  
 (C)=

(D)=  
 (E)=  
 (F)=

SPEC. CODE  
 D29355-01201



No.	Lev.	Parts No.	Description	Q'ty						I	R
				(A)	(B)	(C)	(D)	(E)	(F)		
1	1	729335-01612	CASE ASSY, GEAR	1							
2	2	124060-01050	PLUG, PT1/8	1							
3	2	121450-01560	STUD, M8X22	4							
4	2	194990-22050	NUT, M8	4							
5	2	22312-080160	PIN, PARALLEL M8X16	1							
6	2	22351-040010	PIN, SPRING 4.0X10	2							
7	1	121575-01510	GASKET, GEAR CASE	1							\$
7-1	1	121575-01511	GASKET, GEAR CASE	1							N \$
		(A=EA8363)									
8	1	121450-01801	SEAL, TC25408	1							
9	1	121450-01951	SHIM SET, ADJUSTING	1							
10	1	24101-063050	BEARING, BALL 6305C3	1							
11	1	26106-080752	BOLT, M8X 75 PLATED	2							
12	1	26106-080852	BOLT, M8X 85 PLATED	7							
13	1	26106-081152	BOLT, M8X115 PLATED	3							
14	1	26587-080102	SCREW, M8X10	1							

Remarks  
 (\$) THESE PARTS ARE SOLD BY FIG.40,  
 REF.NO.6,6-1,6-2,6-3.

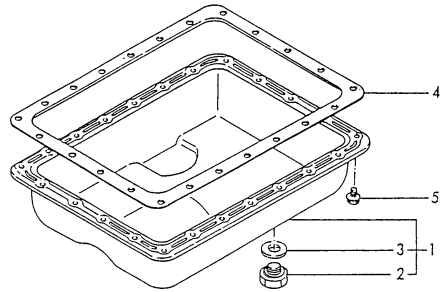
# Fig.3. LUB.OIL SUMP

(A)=3T84HLE-TBS  
 (B)=3T84HTLE-TB  
 (C)=

(D)=  
 (E)=  
 (F)=

SPEC. CODE  
 D29327-01300

No.	Lev.	Parts No.	Description	Q'ty						I	R
				(A)	(B)	(C)	(D)	(E)	(F)		
1	1	729350-01540	SUMP ASSY, OIL	1							
2	2	104200-55080	PLUG, DRAIN	1							
3	2	43400-500450	SEAL WASHER 12S	1							
4	1	121575-01750	GASKET, OIL SUMP	1							\$
4-1	1	121575-01751 (A=EA8363)	GASKET, OIL SUMP	1							N \$
5	1	26106-060082	BOLT, M6X 8 PLATED	23							



Remarks  
 (\$) THESE PARTS ARE SOLD BY FIG.40,  
 REF.NO.6,6-1,6-2,6-3.



# Fig.4. MOUNTING FLANGE

(A)=3T84HLE-TBS  
 (B)=3T84HTLE-TB  
 (C)=

(D)=  
 (E)=  
 (F)=

No.	Lev.	Parts No.	Description	Q'ty						I	R
				(A)	(B)	(C)	(D)	(E)	(F)		
1	1	121522-01600	HOUSING, FLYWHEEL	1							
2	1	26206-100252	BOLT, M10X 25 PLATED	8							
3	1	26216-120252	STUD, M12X 25	2							
4	1	26716-120002	NUT, M12	2							

SPEC. CODE  
 U71002-01400

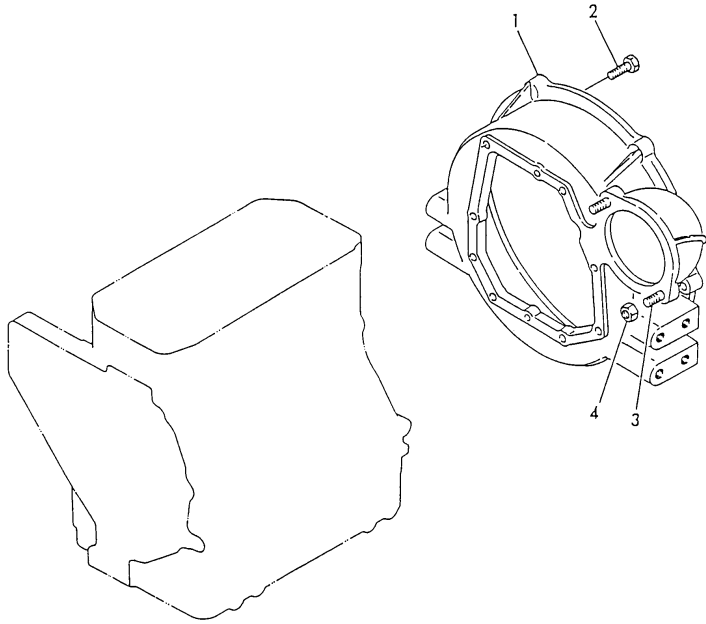
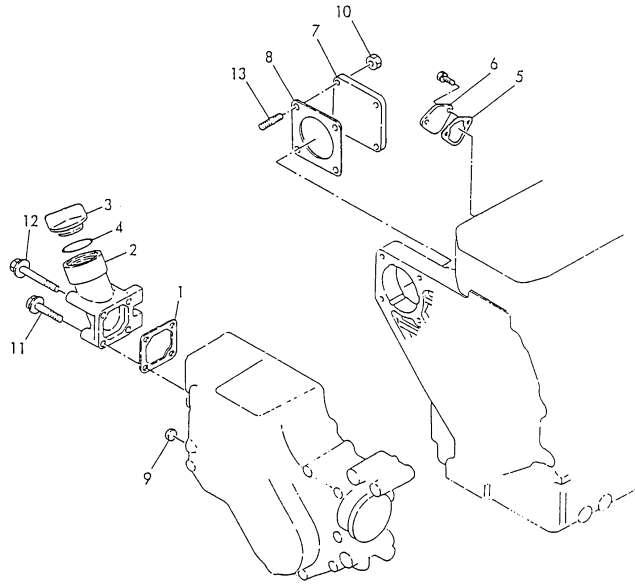


Fig.5. BLOCK BLIND COVER

(A)=3T84HLE-TBS  
(B)=3T84HTLE-TB  
(C)=

(D)=  
(E)=  
(F)=

SPEC. CODE  
D29327-01510



No.	Lev.	Parts No.	Description	Q'ty						I	R
				(A)	(B)	(C)	(D)	(E)	(F)		
1	1	121450-01531	GASKET	1							\$
2	1	129327-01550	COVER, BLOCK	1							
3	1	124160-01751	COVER, FILLER	1							
4	1	121420-01760	O-RING	1							\$
4-1	1	24311-000320	O-RING, 1AP32.0	1						N	\$
(A=EA8363)											
5	1	121520-01850	GASKET	1							\$
5-1	1	121520-01851	GASKET	1						R	\$
(A=EA7961)											
6	1	121520-01860	COVER	1							
7	1	124240-01871	COVER	1							
8	1	124240-01882	GASKET	1							\$
8-1	1	124240-01883	GASKET	1						R	\$
(A=EA7961)											
9	1	121085-01890	PLUG	1							
10	1	194990-22050	NUT, M8	4							
11	1	26106-060402	BOLT, M6X 40 PLATED	2							
12	1	26106-060652	BOLT, M6X 65 PLATED	2							
13	1	26216-080222	STUD, M8X 22	4							

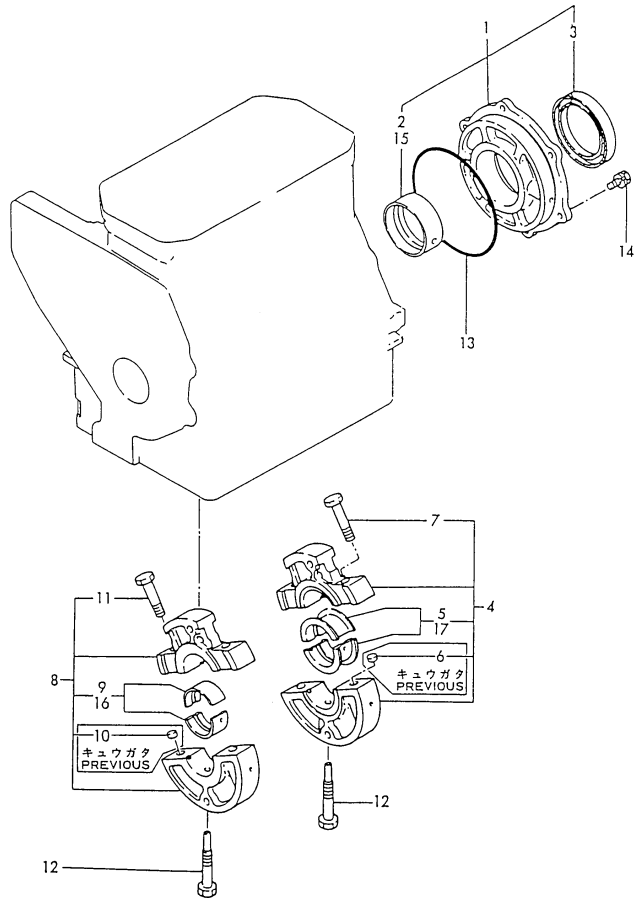
Remarks  
(\$) THESE PARTS ARE SOLD BY FIG.40,  
REF.NO.6,6-1,6-2,6-3.

# Fig.6. MAIN BEARING HOUSING

(A)=3T84HLE-TBS  
 (B)=3T84HTLE-TB  
 (C)=

(D)=  
 (E)=  
 (F)=

SPEC. CODE  
 029350-02100



No.	Lev.	Parts No.	Description	Q'ty						I	R
				(A)	(B)	(C)	(D)	(E)	(F)		
1	1	721550-02500	HOUSING ASSY, METAL	1							
2	2	121550-02110	BEARING, MAIN	1							
3	2	121551-02220	SEAL, OIL	1							
4	1	729350-02611	HOUSING ASSY	1							
4-1	1	729350-02610	HOUSING ASSY, METAL	1							S
(A=FROM 1ST)											
5	2	729350-02800	BEARING, MAIN	1							
6	2	129350-02050	PIPE	2							Z
(A=FROM 1ST)											
7	2	129350-02070	BOLT	2							
7-1	2	121250-02070	BOLT	2							S
(A=FROM 1ST)											
8	1	729350-02621	HOUSING ASSY, METAL	1							
8-1	1	729350-02620	HOUSING ASSY, METAL	1							S
(A=FROM 1ST)											
9	2	729350-02810	BEARING, MAIN	1							
10	2	129350-02050	PIPE	2							Z
(A=FROM 1ST)											
11	2	129350-02070	BOLT	2							
11-1	2	121250-02070	BOLT	2							S
(A=FROM 1ST)											
12	1	121550-02300	BOLT	2							
13	1	24341-001350	O-RING, 1AS135.0	1							\$
14	1	26013-080202	BOLT, M8X 20	6							
15	1	121550-02220	SEAL, OIL	1							1
16	1	129350-02330	BEARING, 0.25 US	1							1
17	1	129350-02350	BEARING, 0.25 US	1							1

Remarks

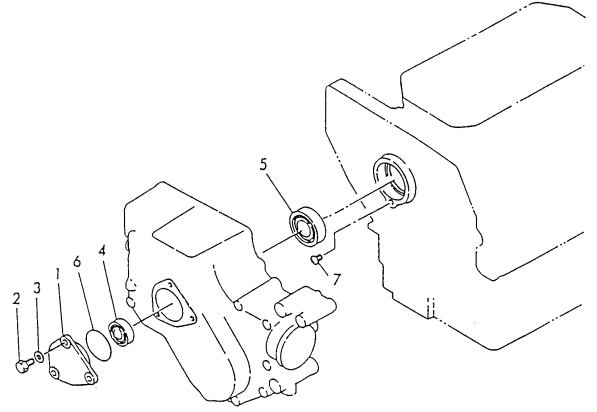
(1) UNDER-SIZED(U.S.=0.25)PART.  
 (\$) THESE PARTS ARE SOLD BY FIG.40,  
 REF.NO.6,6-1,6-2,6-3.

Fig.7. CAMSHAFT BEARING

(A)=3T84HLE-TBS  
 (B)=3T84HTLE-TB  
 (C)=

(D)=  
 (E)=  
 (F)=

SPEC. CODE  
 D13301-02200

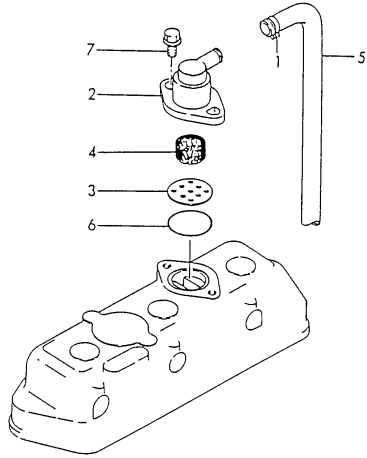


No.	Lev.	Parts No.	Description	Q'ty						I	R
				(A)	(B)	(C)	(D)	(E)	(F)		
1	1	129301-02801	HOUSING	1							
2	1	121456-91981	BOLT, M8X16	3							
3	1	23414-080000	GASKET, 8X1.0	3							
4	1	24101-062024	BEARING, BALL 6202	1							
5	1	24101-062054	BEARING, BALL 6205	1							
6	1	24341-000460	O-RING, 1AS46.0	1							\$
7	1	26587-080102	SCREW, M8X10	1							
7-1	1	26587-080122	SCREW, M8X12	1							R
			(A=EA5220)								

Remarks  
 (\$) THESE PARTS ARE SOLD BY FIG.40,  
 REF.NO.6,6-1,6-2,6-3.

# Fig.8. BREATHER

SPEC. CODE  
D21027-03101



(A)=3T84HLE-TBS  
(B)=3T84HTLE-TB  
(C)=

(D)=  
(E)=  
(F)=

No.	Lev.	Parts No.	Description	Q'ty						I	R
				(A)	(B)	(C)	(D)	(E)	(F)		
1	1	124160-01650	CLAMP, PIPE	1							
2	1	121450-03012	BODY, BREATHER	1							
3	1	121450-03020	BODY, BREATHER	1							
4	1	121450-03030	WOOL, STEEL	1							
5	1	23065-130650	PIPE, 13X 650	1							
6	1	24341-000400	O-RING, 1AS40.0	1							\$
7	1	26106-080162	BOLT, M8X 16 PLATED	2							

**Remarks**

(\$) THESE PARTS ARE SOLD BY FIG.40,  
REF.NO.6,6-1,6-2,6-3.

# Fig.9. ENGINE LIFTER

(A)=3T84HLE-TBS  
 (B)=3T84HTLE-TB  
 (C)=

(D)=  
 (E)=  
 (F)=

No.	Lev.	Parts No.	Description	Q'ty						I	R
				(A)	(B)	(C)	(D)	(E)	(F)		
1	1	121575-07230	LIFTER	1							
2	1	129305-07950	NUT, M12	1							

SPEC. CODE  
 D24936-07300

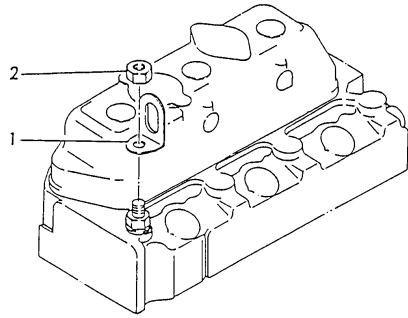
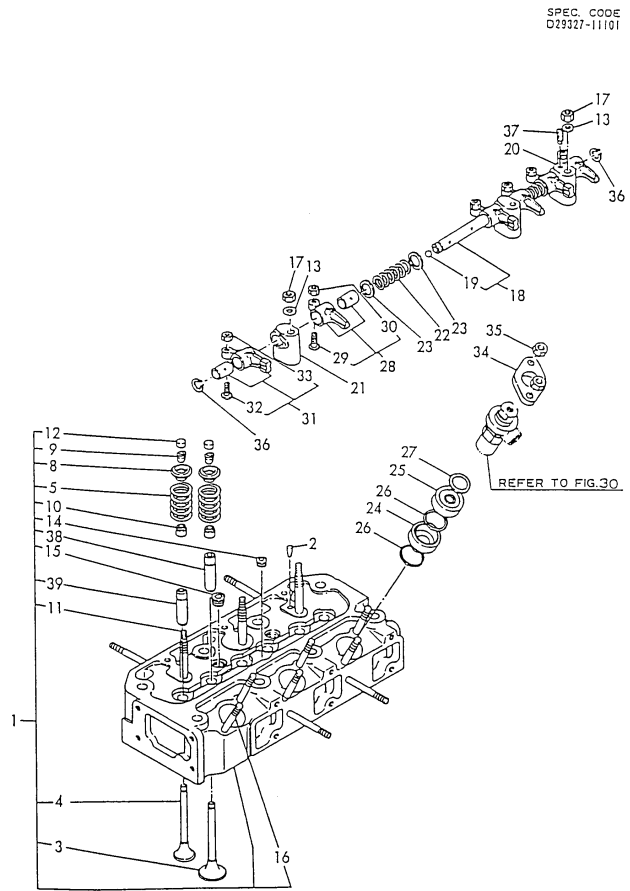


Fig.10. CYLINDER HEAD



(A)=3T84HLE-TBS  
(B)=3T84HTLE-TB  
(C)=

(D)=  
(E)=  
(F)=

No.	Lev.	Parts No.	Description	Q'ty						I	R
				(A)	(B)	(C)	(D)	(E)	(F)		
1	1	729327-11700	HEAD ASSY, CYLINDER	1							
2	2	121000-11050	PIN, 4.5X12	1							
3	2	129350-11100	VALVE, INTAKE	3							
4	2	129350-11110	VALVE, EXHAUST	3							
5	2	104511-11120	SPRING, VALVE	6							
8	2	103338-11180	RETAINER, SPRING	6							
9	2	103338-11190	COTTER	6							
10	2	124460-11340	SEAL, VALVE STEM	6							
11	2	105225-11350	STUD	3							
12	2	104511-11370	CAP, VALVE	6							
13	2	22137-100000	WASHER, 10	3							
14	2	23871-020000	PLUG, R02	1							
15	2	23871-030000	PLUG, R03	2							
16	2	26216-080652	STUD, M8X 65	6							
17	2	26696-100002	NUT, LOCK M10	3							
18	1	129350-11240	SHAFT ASSY, ROCKER	1							
20	1	121450-11260	SUPPORT, ROCKER ARM	1							
21	1	121450-11270	SUPPORT, ROCKER ARM	2							
22	1	121550-11280	SPRING	2							
23	1	121550-11290	WASHER	6							
24	1	129350-11400	CHAMBER	3							
25	1	129350-11410	CHAMBER	3							
26	1	101704-11450	GASKET, CHAMBER	6							\$
27	1	103854-11490	INSULATOR	3							\$
28	1	729350-11650	ARM ASSY, ROCKER	3							
29	2	101158-11230	SCREW, VALVE ADJUST	3							
30	2	26756-080002	NUT, LOCK M8	3							
31	1	729350-11660	ARM ASSY, ROCKER	3							
32	2	101158-11230	SCREW, VALVE ADJUST	3							
33	2	26756-080002	NUT, LOCK M8	3							
34	1	101147-11900	RETAINER	3							
35	1	121465-11950	NUT	6							
36	1	22242-000140	RING, 14	2							
37	1	26921-080102	SCREW, M8X10	1							
38	1	120130-11860	GUIDE, VALVE	1							1
39	1	129150-11810	GUIDE, VALVE	1							1

Remarks

(1) REPAIR PART  
(\$) THESE PARTS ARE SOLD BY FIG.40,  
REF.NO.6,6-1,6-2,6-3.

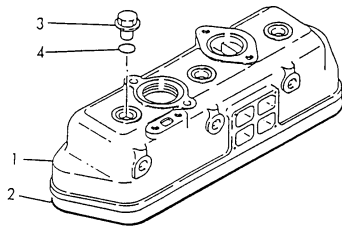
# Fig.11. BONNET

(A)=3T84HLE-TBS  
 (B)=3T84HTLE-TB  
 (C)=

(D)=  
 (E)=  
 (F)=

No.	Lev.	Parts No.	Description	Q'ty						I	R
				(A)	(B)	(C)	(D)	(E)	(F)		
1	1	129301-11300	BONNET	1							
2	1	129350-11310	GASKET, BONNET	1							\$
3	1	124160-11360	KNOB	3							
4	1	24311-000120	O-RING, 1AP12.0	3							\$

SPEC. CODE  
 029300-11200



**Remarks**

(\$) THESE PARTS ARE SOLD BY FIG.40,  
 REF.NO.6,6-1,6-2,6-3.

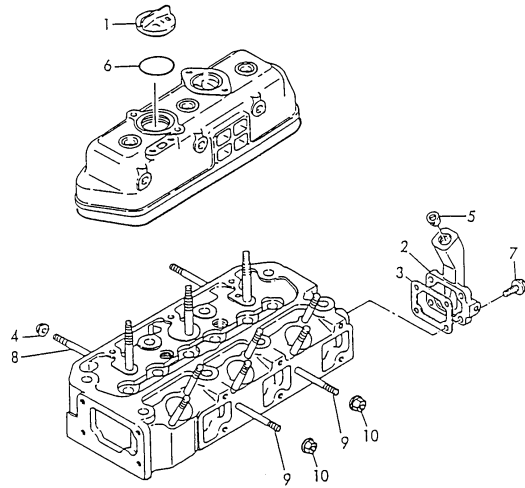


# Fig.12. HEAD BLIND COVER

(A)=3T84HLE-TBS  
 (B)=3T84HTLE-TB  
 (C)=

(D)=  
 (E)=  
 (F)=

SPEC. CODE  
 D79327-11110



No.	Lev.	Parts No.	Description	Q'ty						I	R
				(A)	(B)	(C)	(D)	(E)	(F)		
1	1	124160-01751	COVER, FILLER	1							
2	1	121521-11670	COVER, HEAD	1							
3	1	121450-11680	GASKET	1							\$
3-1	1	121450-11681 (A=EA8363)	GASKET	1						N	\$
4	1	194990-22050	NUT, M8	2							
5	1	23871-030000	PLUG, R03	1							
6	1	24311-000320	O-RING, 1AP32.0	1							\$
7	1	26106-080202	BOLT, M8X 20 PLATED	4							
8	1	26216-080652	STUD, M8X 65	2							
9	1	26216-080702	STUD, M8X 70	2							
10	1	26366-080002	NUT, M8	2							

Remarks

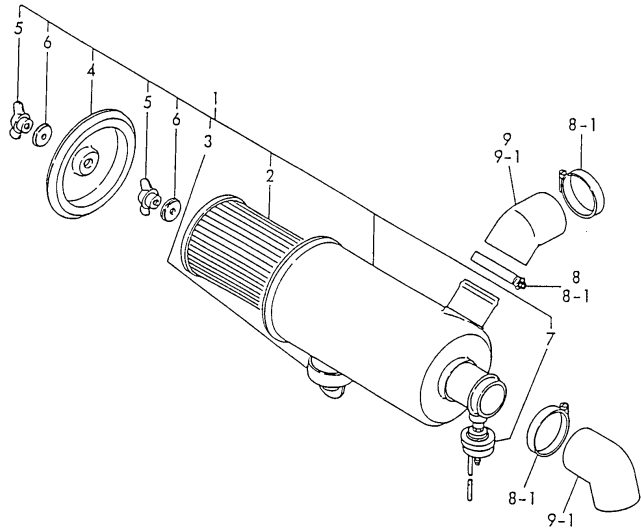
(\$) THESE PARTS ARE SOLD BY FIG.40,  
 REF.NO.6,6-1,6-2,6-3.

Fig.13. AIR CLEANER

(A)=3T84HLE-TBS  
 (B)=3T84HTLE-TB  
 (C)=

(D)=  
 (E)=  
 (F)=

SPEC. CODE  
 029327-93020



No.	Lev.	Parts No.	Description	Q'ty						I	R
				(A)	(B)	(C)	(D)	(E)	(F)		
1	1	129403-12500	CLEANER ASSY, AIR	1							
2	2	129150-12510	ELEMENT	1							
3	2	129150-12520	VALVE, UNLOADER	1							
4	2	XX75129003	COVER	1							
5	2	XX75180110	NUT, WING	2							
6	2	XNAC100051	WASHER, SEAL	2							
7	2	XWAD065005	INDICATOR	1							
8	1	23000-060000	CLAMP, 60	1							
8-1	1	23000-060000	CLAMP, 60	3							K
(A=EXXX)											
9	1	129327-12210	PIPE, AIR INTAKE	1							
9-1	1	129327-12210	PIPE, AIR INTAKE	2							K
(A=EXXX)											

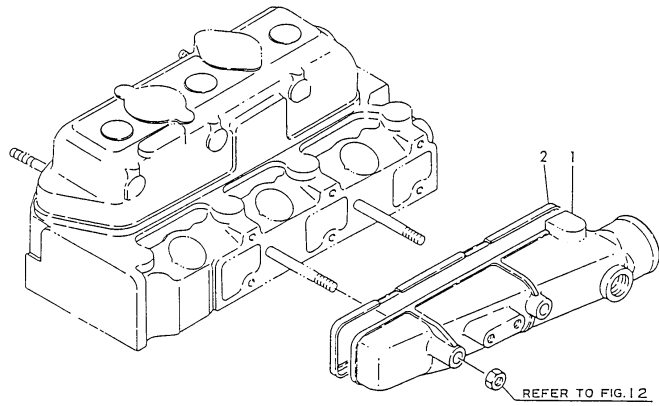
Fig.14. SUCTION MANIFOLD

(A)=3T84HLE-TBS  
 (B)=3T84HTLE-TB  
 (C)=

(D)=  
 (E)=  
 (F)=

No.	Lev.	Parts No.	Description	Q'ty						I	R
				(A)	(B)	(C)	(D)	(E)	(F)		
1	1	171063-12700	MANIFOLD, AIR INTAKE	1							
2	1	129350-12710	GASKET, MANIFOLD	1							\$

SPEC. CODE  
 U71016-12220



Remarks  
 (\$) THESE PARTS ARE SOLD BY FIG.40,  
 REF.NO.6,6-1,6-2,6-3.

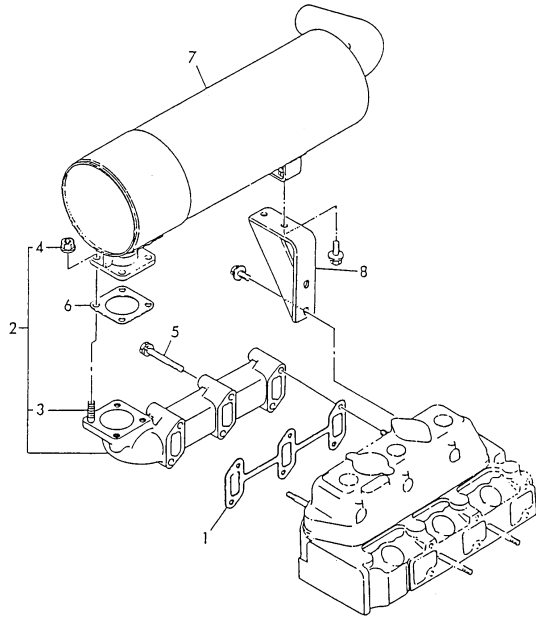
Fig.15. EXHAUST MANIFOLD

(A)=3T84HLE-TBS  
 (B)=3T84HTLE-TB  
 (C)=

(D)=  
 (E)=  
 (F)=

No.	Lev.	Parts No.	Description	Q'ty						I	R
				(A)	(B)	(C)	(D)	(E)	(F)		
1	1	129350-13250	GASKET	1							\$
1-1	1	129322-13520	GASKET	1							R \$
(A=EA6050)											
2	1	729327-13500	MANIFOLD ASSY	1							
3	2	26216-080222	STUD, M8X 22	4							
4	2	194990-22050	NUT, M8	4							
5	1	121465-13652	BOLT, M8X65	4							
6	1	124701-11910	GASKET, SILENCER	1							\$
6-1	1	124701-11911	GASKET, SILENCER	1							N \$
(A=EA8348)											
7	1	129327-13520	SILENCER	1							
8	1	129327-13660	STAY, SILENCER	1							

SPEC. CODE  
 U71063-13209



Remarks

(\$) THESE PARTS ARE SOLD BY FIG.40,  
 REF.NO.6,6-1,6-2,6-3.

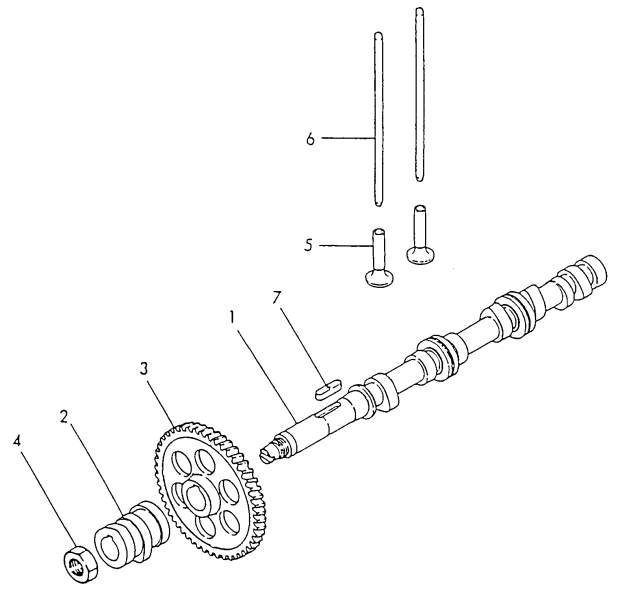
Fig.16. CAMSHAFT

(A)=3T84HLE-TBS  
 (B)=3T84HTLE-TB  
 (C)=

(D)=  
 (E)=  
 (F)=

No.	Lev.	Parts No.	Description	Q'ty						I	R
				(A)	(B)	(C)	(D)	(E)	(F)		
1	1	129350-14010	CAMSHAFT	1							
2	1	121450-14090	CAM, FUEL	1							
3	1	129350-14100	GEAR, CAMSHAFT	1							
4	1	121450-14120	NUT	1							
5	1	104200-14200	TAPPET	6							
6	1	129350-14400	ROD, PUSH	6							
7	1	22512-070300	KEY, 7X 30	1							

SPEC. CODE  
 D29350-14100

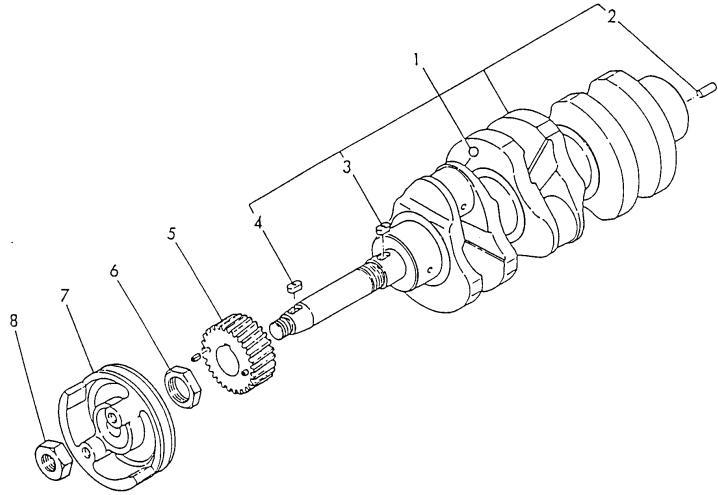


# Fig.17. CRANKSHAFT

(A)=3T84HLE-TBS  
 (B)=3T84HTLE-TB  
 (C)=

(D)=  
 (E)=  
 (F)=

SPEC. CODE  
 U71004-21100



No.	Lev.	Parts No.	Description	Q'ty						I	R
				(A)	(B)	(C)	(D)	(E)	(F)		
1	1	729350-21700	CRANKSHAFT ASSY	1							
2	2	22312-080160	PIN, PARALLEL M8X16	1							
3	2	22512-070180	KEY, 7X 18	1							
4	2	22512-070180	KEY, 7X 18	1							
5	1	129350-21200	GEAR, CRANKSHAFT	1							
6	1	121450-21541	NUT, CRANKSHAFT GEAR	1							
7	1	129335-21650	V-PULLEY	1							
8	1	26776-180002	NUT, LOCK M18	1							

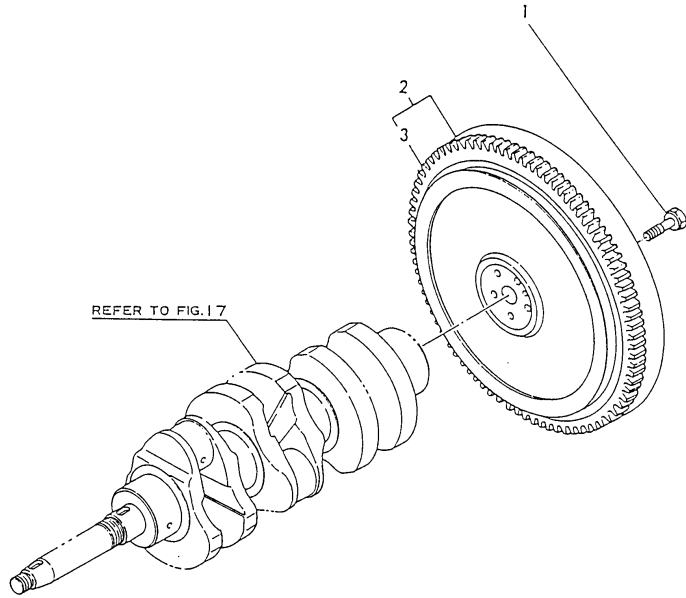
# Fig.18. FLYWHEEL

(A)=3T84HLE-TBS  
 (B)=3T84HTLE-TB  
 (C)=

(D)=  
 (E)=  
 (F)=

No.	Lev.	Parts No.	Description	Q'ty						I	R
				(A)	(B)	(C)	(D)	(E)	(F)		
1	1	105225-21500	BOLT, FLYWHEEL	5							
2	1	171020-21590	FLYWHEEL ASSY	1							
3	2	129350-21600	GEAR, RING	1							

SPEC. CODE  
 U71016-21310



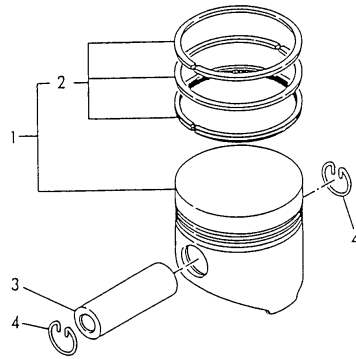
# Fig.19. PISTON

(A)=3T84HLE-TBS  
 (B)=3T84HTLE-TB  
 (C)=

(D)=  
 (E)=  
 (F)=

No.	Lev.	Parts No.	Description	Q'ty						I	R
				(A)	(B)	(C)	(D)	(E)	(F)		
1	1	129367-22090	PISTON ASSY	3							
2	2	729350-22500	RING SET, PISTON	3							
2-1	2	729350-22501	RING SET, PISTON	3							R
			(A=EA6610)								
3	1	103338-22300	PIN, PISTON	3							
4	1	103338-22400	CIRCLIP	6							

SPEC. CODE  
 029350-22100





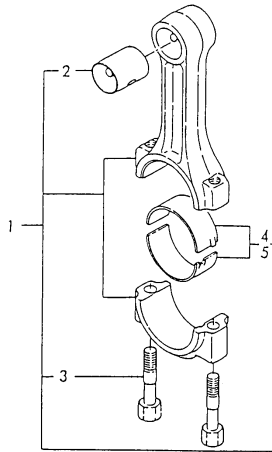
# Fig.20. CONNECTING ROD

(A)=3T84HLE-TBS  
 (B)=3T84HTLE-TB  
 (C)=

(D)=  
 (E)=  
 (F)=

SPEC. CODE  
 D29350-23100

No.	Lev.	Parts No.	Description	Q'ty						I	R
				(A)	(B)	(C)	(D)	(E)	(F)		
1	1	729350-23100	ROD ASSY, CONNECTING	3							
2	2	129350-23100	BEARING, PISTON PIN	3							
3	2	104500-23201	BOLT, CONNECTING ROD	6							
4	2	724060-23600	BEARING, CRANK PIN	3							
5	1	724064-23610	BEARING ASSY, 0.25	3							1



Remarks

(1) UNDER-SIZED(U.S.=0.25)PART.

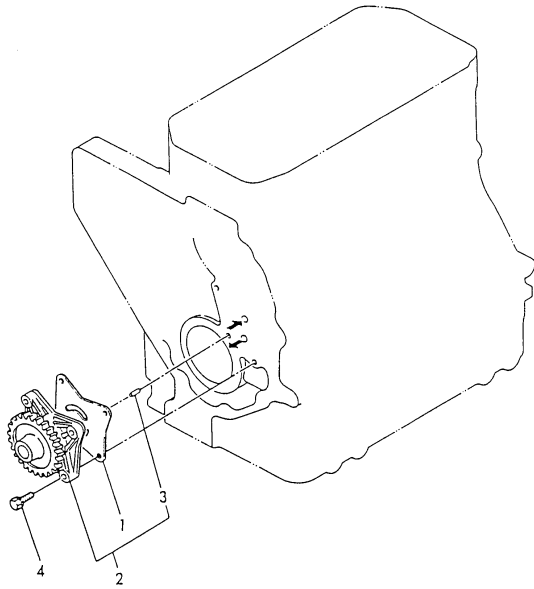
# Fig.21. LUB. OIL PUMP

(A)=3T84HLE-TBS  
 (B)=3T84HTLE-TB  
 (C)=

(D)=  
 (E)=  
 (F)=

No.	Lev.	Parts No.	Description	Q'ty						I	R	
				(A)	(B)	(C)	(D)	(E)	(F)			
1	1	121450-32021	GASKET, PUMP	1								\$
2	1	129350-32090	PUMP ASSY, OIL	1								
3	2	121450-32050	PIN	1								
4	1	26013-060222	BOLT, M6X 22	3								

SPEC. CODE  
 D29350-32100



Remarks  
 (\$) THESE PARTS ARE SOLD BY FIG.40,  
 REF.NO.6,6-1,6-2,6-3.

# Fig.22. LUB.OIL DIPSTICK

(A)=3T84HLE-TBS  
(B)=3T84HTLE-TB  
(C)=  
(D)=  
(E)=  
(F)=

No.	Lev.	Parts No.	Description	Qty						I	R
				(A)	(B)	(C)	(D)	(E)	(F)		
1	1	129350-34800	DIPSTICK, OIL	1							


SPEC. CODE  
D29350-34100

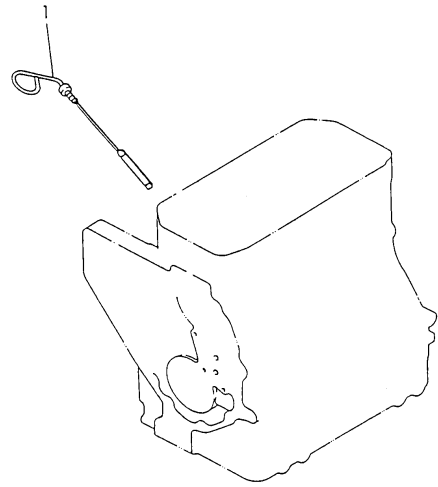


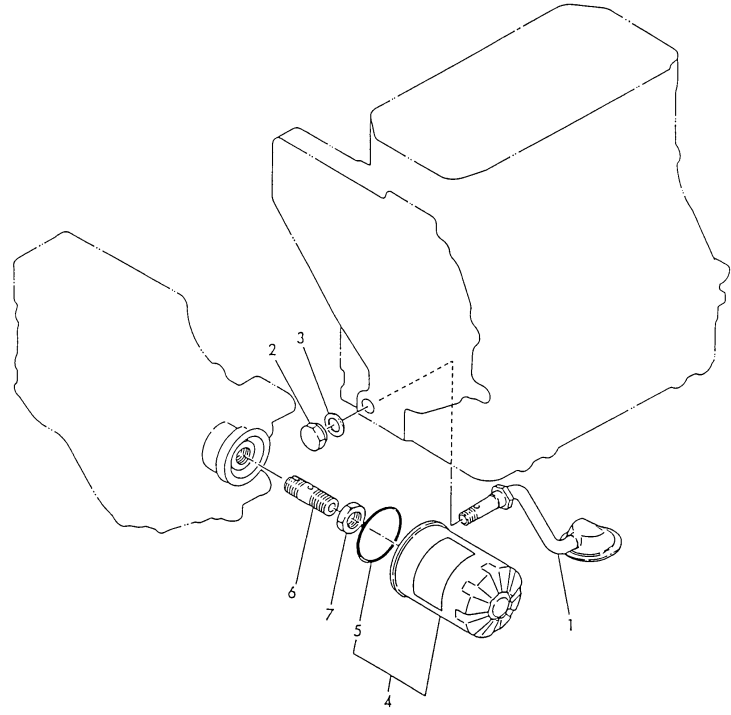
Fig.23. LUB. OIL STRAINER

(A)=3T84HLE-TBS  
(B)=3T84HTLE-TB  
(C)=

(D)=  
(E)=  
(F)=

No.	Lev.	Parts No.	Description	Q'ty						I	R
				(A)	(B)	(C)	(D)	(E)	(F)		
1	1	129350-35090	PIPE ASSY, OIL INLET	1							
2	1	121550-35100	NUT, CAP PF1/4	1							
3	1	121550-35110	GASKET, 18	1							
4	1	124550-35110	ELEMENT	1							
4-1	1	124085-35111	FILTER, OIL	1							R
(A=EA8363)											
5	2	124450-35110	O-RING	1							\$
6	1	124085-35300	VALVE ASSY, CONTROL	1							
7	1	124085-35350	NUT, M20	1							

SPEC. CODE  
029350-35100



Remarks  
 (\$) THESE PARTS ARE SOLD BY FIG.40,  
 REF.NO.6,6-1,6-2,6-3.

Fig.24. LUB. OIL PIPES

(A)=3T84HLE-TBS  
 (B)=3T84HTLE-TB  
 (C)=

(D)=  
 (E)=  
 (F)=

No.	Lev.	Parts No.	Description	Q'ty						I	R
				(A)	(B)	(C)	(D)	(E)	(F)		
1	1	124160-39140	BOLT, PIPE JOINT M10	1							
2	1	129350-39200	PIPE ASSY, OIL	1							
3	1	124450-39240	RETAINER, PIPE	1							
4	1	124160-39450	SWITCH, 0.5KG	1							
5	1	124550-59820	BOLT, PIPE JOINT M8	3							
6	1	23414-080000	GASKET, 8X1.0	6							
7	1	23414-100000	GASKET, 10X1.0	2							

SPEC. CODE  
 D29350-39100

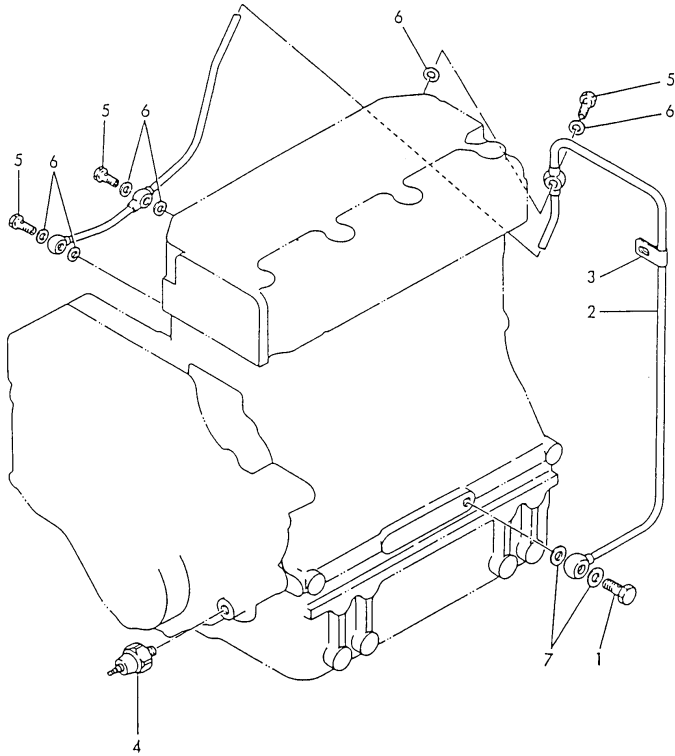


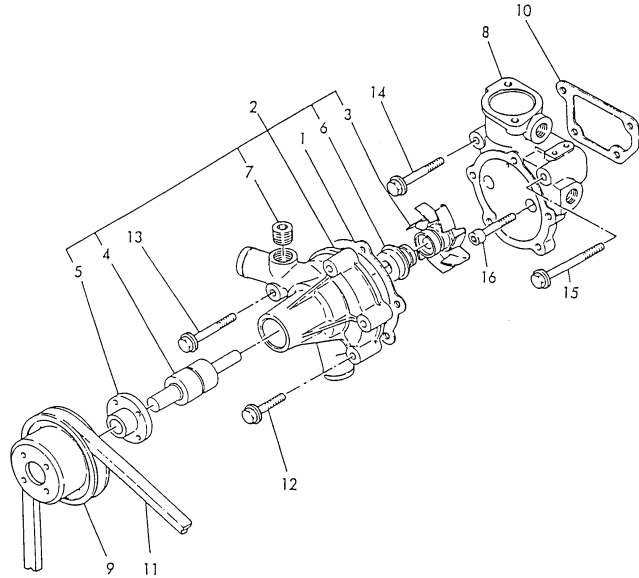
Fig.25. COOLING WATER PUMP

(A)=3T84HLE-TBS  
 (B)=3T84HTLE-TB  
 (C)=

(D)=  
 (E)=  
 (F)=

No.	Lev.	Parts No.	Description	Q'ty						I	R
				(A)	(B)	(C)	(D)	(E)	(F)		
1	1	129327-42051	GASKET, WATER PUMP	1							\$
2	1	129327-42100	PUMP ASSY, WATER	1							
3	2	121252-42200	IMPELLER	1							
3-1	2	120130-43140 (A=EA7543)	IMPELLER	1							N
4	2	121252-42240	BEARING, SHAFT	1							
5	2	121252-42260	FLANGE	1							
6	2	121450-42310	SEAL, MECHANICAL	1							
7	2	23871-030000	PLUG, R03	1							
8	1	129327-42120	BRACKET, PUMP	1							
9	1	129335-42250	V-PULLEY	1							
10	1	121450-44410	GASKET	1							\$
11	1	171022-44960	V-BELT, A35	1							
12	1	26106-080402	BOLT, M8X 40 PLATED	4							
13	1	26106-080552	BOLT, M8X 55 PLATED	1							
14	1	26106-080602	BOLT, M8X 60 PLATED	1							
15	1	26106-080852	BOLT, M8X 85 PLATED	1							
16	1	26450-080452	BOLT, M8X 45	2							

SPEC. CODE  
 D29327-42100



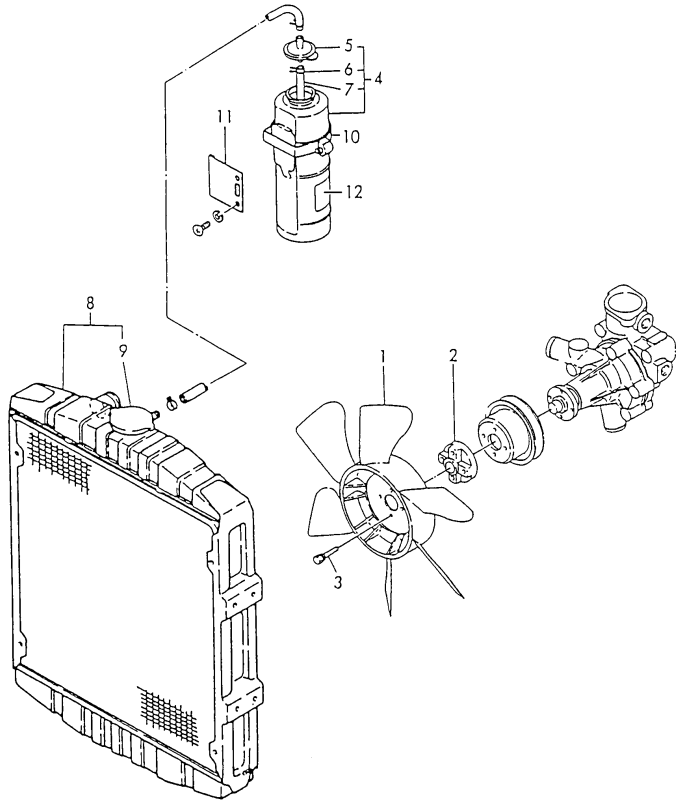
Remarks  
 (\$) THESE PARTS ARE SOLD BY FIG.40,  
 REF.NO.6,6-1,6-2,6-3.

Fig.26. RADIATOR & COOLING WATER FAN

(A)=3T84HLE-TBS  
 (B)=3T84HTLE-TB  
 (C)=

(D)=  
 (E)=  
 (F)=

SPEC. CODE  
 D29327-41100



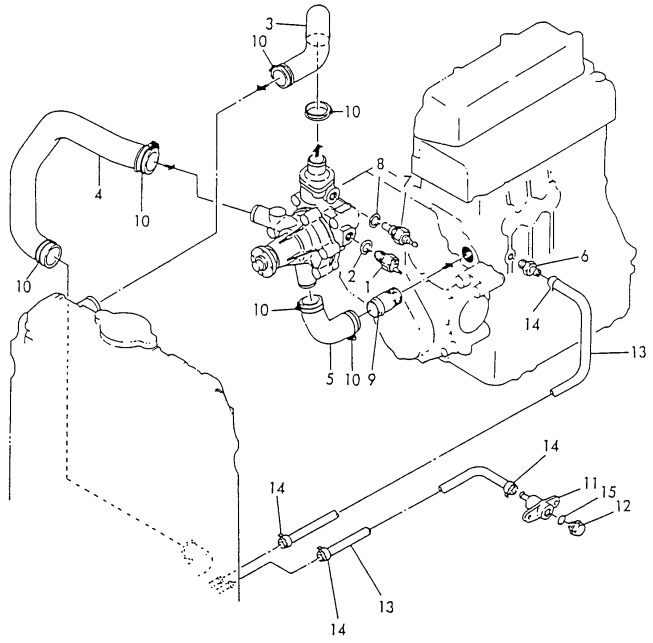
No.	Lev.	Parts No.	Description	Q'ty						I	R
				(A)	(B)	(C)	(D)	(E)	(F)		
1	1	171340-44740	FAN, COOLING D335XNF	1							
2	1	121267-44760	SPACER	1							
3	1	26014-060352	BOLT, M6X 35	4							
4	1	124450-44510	TANK ASSY, SUB	1							
5	2	124450-44530	CAP	1							
6	2	124450-44560	RETAINER	1							
7	2	23061-070230	PIPE, 7X 230	1							
8	1	171016-44510	RADIATOR	1							
9	2	123682-44210	CAP, RADIATOR	1							
10	1	124450-44550	BAND	1							
11	1	121256-44600	BRACKET, SUB TANK	1							
12	1	124764-44810	LABEL, SUB TANK	1							

**Fig.27. COOLING WATER PIPES**

(A)=3T84HLE-TBS  
 (B)=3T84HTLE-TB  
 (C)=

(D)=  
 (E)=  
 (F)=

SPEC. CODE  
 U71064-49100



No.	Lev.	Parts No.	Description	Q'ty						I	R
				(A)	(B)	(C)	(D)	(E)	(F)		
1	1	121250-44901	SWITCH, 110	1							
2	1	124465-44950	GASKET, 16	1							
3	1	171064-49010	PIPE, WATER	1							
4	1	171064-49020	PIPE, WATER	1							
5	1	129301-49030	PIPE, WATER	1							
6	1	121550-49111	JOINT, PT1/4	1							
7	1	124250-49351	SENSOR	1							
8	1	124250-49360	GASKET	1							
9	1	124160-49480	JOINT, PIPE	1							
10	1	23010-038000	CLAMP, 38	6							
11	1	121521-49100	BODY ASSY, COCK	1							
12	1	121250-49121	PLUG, DRAIN	1							
13	1	124722-49150	PIPE, DRAIN 7/12X550	1							
14	1	124766-59050	CLIP, HOSE 12	4							
15	1	24311-000160	O-RING, 1AP16.0	1							\$

Remarks

(§) THESE PARTS ARE SOLD BY FIG.40,  
 REF.NO.6,6-1,6-2,6-3.

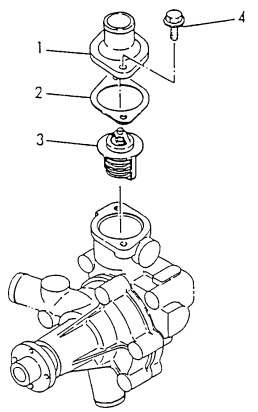


# Fig.28. THERMOSTAT

(A)=3T84HLE-TBS  
 (B)=3T84HTLE-TB  
 (C)=  
 (D)=  
 (E)=  
 (F)=

No.	Lev.	Parts No.	Description	Q'ty						I	R
				(A)	(B)	(C)	(D)	(E)	(F)		
1	1	129350-49530	COVER, THERMOSTAT	1							
2	1	129350-49540	GASKET	1							\$
2-1	1	129350-49541	GASKET	1							R \$
			(A=EA7961)								
3	1	129350-49800	THERMOSTAT, 71	1							
4	1	26106-080182	BOLT, M8X 18 PLATED	2							

SPEC. CODE  
 D21000-49200




---

---

---

---

---

---

---

---

---

---

---

---

---

---

---

---

---

---

---

---

---

---

---

---

---

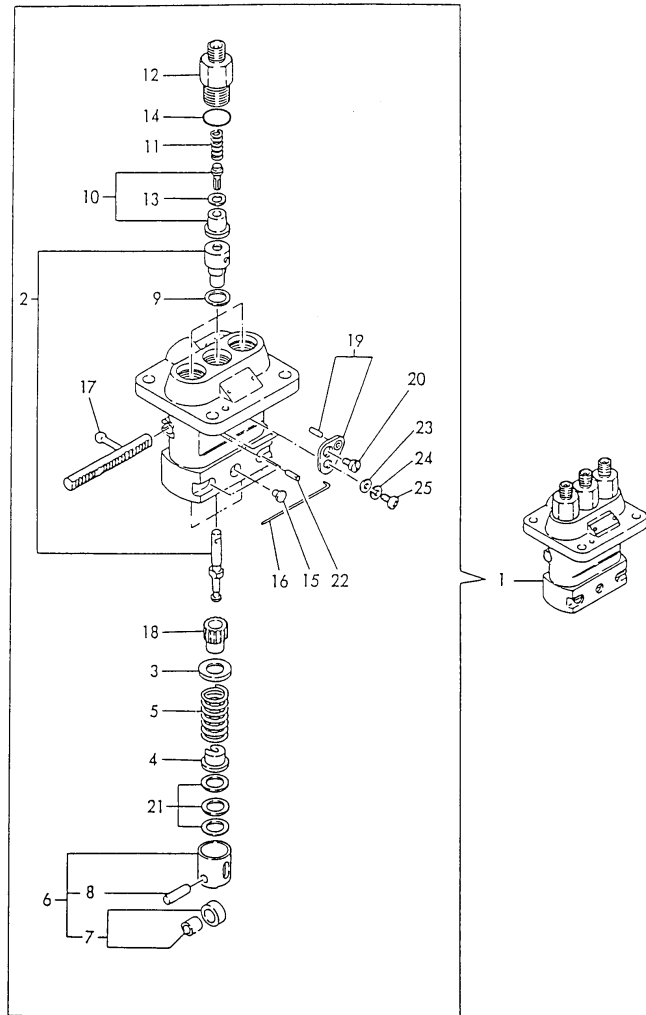
Remarks  
 (\$) THESE PARTS ARE SOLD BY FIG.40,  
 REF.NO.6,6-1,6-2,6-3.

# Fig.29. FUEL INJECTION PUMP

(A)=3T84HLE-TBS  
 (B)=3T84HTLE-TB  
 (C)=

(D)=  
 (E)=  
 (F)=

SPEC. CODE  
 021550-51100



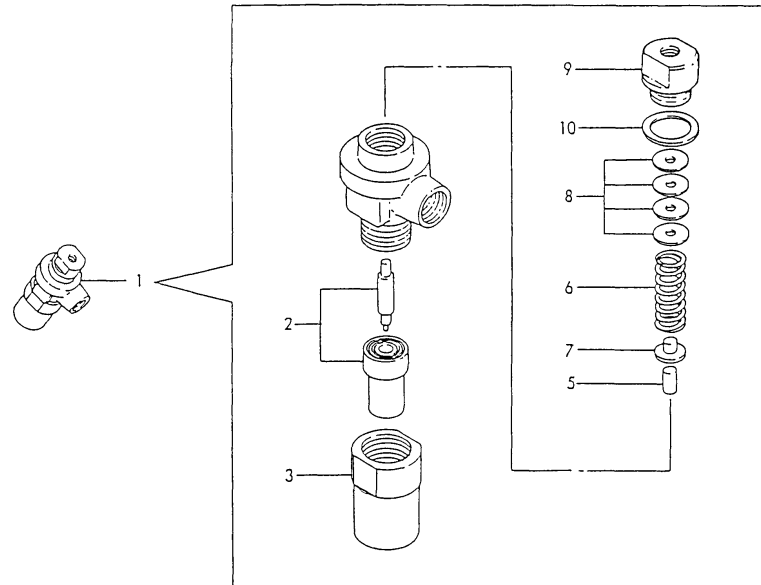
No.	Lev.	Parts No.	Description	Qty						I	R
				(A)	(B)	(C)	(D)	(E)	(F)		
1	1	721550-51700	PUMP ASSY, INJECTION	1							
2	2	121550-51100	PLUNGER ASSY	3							
3	2	174307-51170	RETAINER, SPRING A	3							
4	2	174307-51181	RETAINER, SPRING B	3							
5	2	124950-51190	SPRING, PLUNGER	3							
6	2	724550-51520	GUIDE, PLUNGER	3							
7	3	711100-51540	ROLLER ASSY	3							
8	3	174100-54120	PIN	3							
9	2	124950-51270	GASKET	3							
10	2	124060-51300	VALVE ASSY, DELIVERY	3							
11	2	124550-51320	SPRING, DELIVERY	3							
12	2	124550-51341	HOLDER, DELIVERY L43	3							
13	2	124550-51350	GASKET, DELIVERY	3							
14	2	124550-51370	O-RING	3							
15	2	124950-51450	PIECE, GUIDE	3							
16	2	121150-51460	PIN, GUIDE	1							
17	2	121450-51500	RACK, CONTROL	1							
18	2	124950-51510	PINION	3							
19	2	124950-51640	PLATE ASSY, ADJUST	2							
20	2	103854-51660	SCREW	2							
21	2	174307-51700	SHIM SET	3							
22	2	103854-51251	PIN, PLUNGER	1							
23	2	22117-050000	WASHER, 5	2							Z
		(A=EXXX)									
24	2	22217-050000	WASHER, SPRING 5	2							Z
		(A=EXXX)									
25	2	26587-050102	SCREW, M5X10	2							
25-1	2	26033-050102	SCREW, M5X10	2							N
		(A=EXXX)									

# Fig.30. FUEL INJECTION VALVE

(A)=3T84HLE-TBS  
 (B)=3T84HTLE-TB  
 (C)=

(D)=  
 (E)=  
 (F)=

SPEC. CODE  
 004571-53100



No.	Lev.	Parts No.	Description	Q'ty						I	R
				(A)	(B)	(C)	(D)	(E)	(F)		
1	1	704571-53100	VALVE ASSY,INJECTION	3							
2	2	124770-53000	VALVE ASSY,INJECTION	3							
3	2	104500-53080	NUT, NOZZLE	3							
5	2	113200-53110	SPINDLE, INTER	3							
6	2	103854-53120	SPRING, NOZZLE	3							
7	2	113200-53120	RETAINER, SPRING	3							
8	2	110250-53150	PLATE ASSY, ADJUST	3							
9	2	103854-53180	RETAINER, SPRING	3							
10	2	172100-53200	GASKET	3							

---

---

---

---

---

---

---

---

---

---

---

---

---

---

---

---

---

---

---

---

---

---

---

---

---

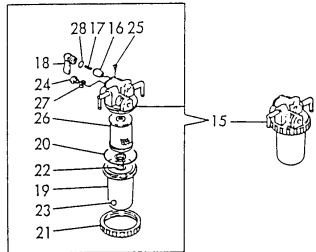
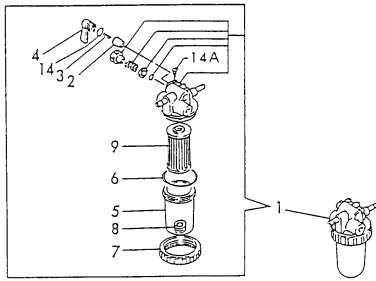
---

Fig.31. FUEL STRAINER

(A)=3T84HLE-TBS  
 (B)=3T84HTLE-TB  
 (C)=

(D)=  
 (E)=  
 (F)=

SPEC. CODE  
 D29327-93070



No.	Lev.	Parts No.	Description	Qty						I	R
				(A)	(B)	(C)	(D)	(E)	(F)		
1	1	129350-55600	FILTER ASSY, FUEL	1							
2	2	104200-55321	VALVE, TAPER	1							
3	2	104200-55330	SPRING, VALVE	1							
4	2	104200-55341	HANDLE	1							
5	2	121254-55510	COVER	1							
6	2	102103-55520	O-RING	1							\$
7	2	110250-55610	RING, RETAINING	1							
8	2	121250-55620	SPRING	1							
9	2	124550-55700	FILTER, FUEL L=90	1							
14	2	24311-240100	O-RING, 1AP10A	1							
14A	2	104200-55750	SCREW, M4	1							W
(A=EXXX)											
15	1	129335-55700	SEPARATOR ASSY,WATER	1							
16	2	104200-55321	VALVE, TAPER	1							
17	2	104200-55330	SPRING, VALVE	1							
18	2	104200-55341	HANDLE	1							
19	2	124064-55510	COVER	1							
20	2	102103-55520	O-RING	1							\$
21	2	110250-55610	RING, RETAINING	1							
22	2	121257-55720	SPRING	1							
23	2	121257-55731	FLOAT	1							
24	2	101720-55750	PLUG, 6	2							
25	2	104200-55750	SCREW, M4	1							
26	2	171081-55910	SCREEN	1							
27	2	23418-060000	GASKET, 6X1.0	2							
28	2	24311-240100	O-RING, 1AP10A	1							

Remarks  
 (\$) THESE PARTS ARE SOLD BY FIG.40,  
 REF.NO.6,6-1,6-2,6-3.

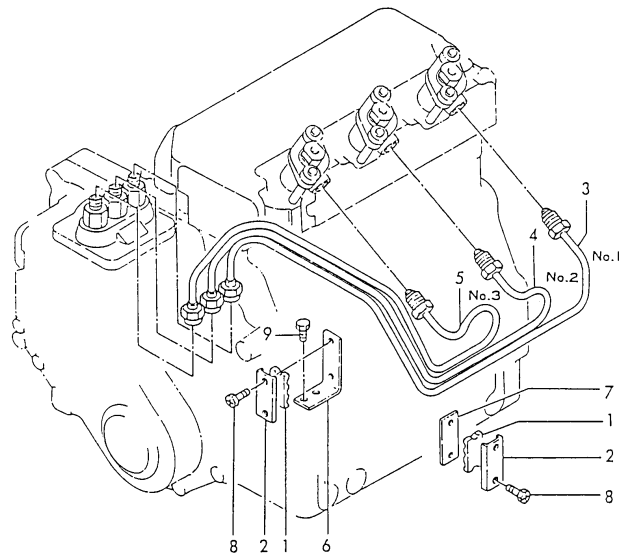
Fig.32. FUEL INJECTION PIPE

(A)=3T84HLE-TBS  
 (B)=3T84HTLE-TB  
 (C)=

(D)=  
 (E)=  
 (F)=

SPEC. CODE  
 D29350-59100

No.	Lev.	Parts No.	Description	Q'ty						I	R
				(A)	(B)	(C)	(D)	(E)	(F)		
1	1	123325-59100	RETAINER, PIPE	2							
2	1	123325-59110	COVER	2							
3	1	129350-59810	PIPE ASSY, INJECTION	1							
4	1	129350-59820	PIPE ASSY, INJECTION	1							
5	1	129350-59830	PIPE ASSY, INJECTION	1							
6	1	121450-59850	BRACKET	1							
7	1	121250-59860	BRACKET	1							
8	1	121465-59950	BOLT, M6X16	4							
9	1	26116-060102	BOLT, M6X 10 PLATED	2							

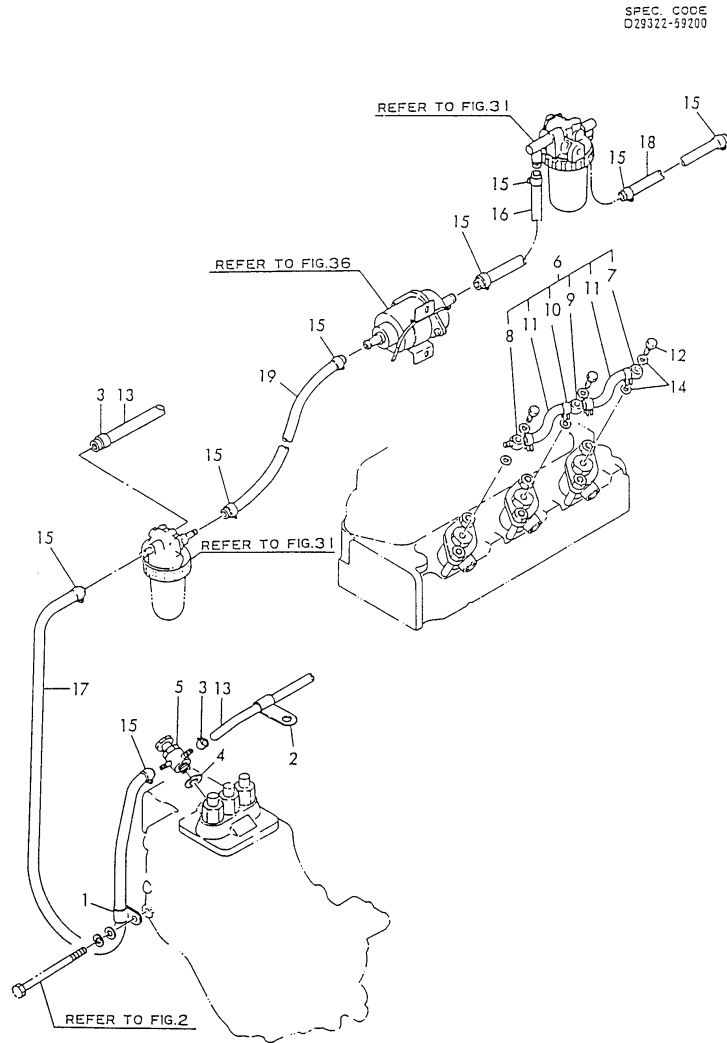


# Fig.33. FUEL OIL PIPES

(A)=3T84HLE-TBS  
(B)=3T84HTLE-TB  
(C)=

(D)=  
(E)=  
(F)=

No.	Lev.	Parts No.	Description	Q'ty						I	R
				(A)	(B)	(C)	(D)	(E)	(F)		
1	1	124160-01650	CLAMP, PIPE	1							
2	1	106500-44610	RETAINER	1							
3	1	124066-59100	CLIP, HOSE 8	2							
4	1	104200-59170	GASKET, 12	1							
5	1	129155-59190	BOLT ASSY, JOINT	1							
5-1	1	129155-59191	BOLT ASSY, JOINT	1							N
(A=EA8103)											
6	1	129331-59500	PIPE ASSY, RETURN	1							
7	2	124550-59030	JOINT, PIPE 8	1							
8	2	121750-59090	JOINT, PIPE 8	1							
9	2	124550-59090	JOINT, PIPE 8	1							
10	2	124066-59100	CLIP, HOSE 8	4							
11	2	129350-59550	PIPE, FUEL D8X90	2							
12	1	101147-59810	BOLT, PIPE JOINT M8	3							
13	1	23061-060350	PIPE, 6X 350	2							
13-1	1	23061-060500	PIPE, 6X 500	2							N
(A=EA5014)											
14	1	23414-080012	GASKET, 8X1.0	6							
15	1	124766-59050	CLIP, HOSE 12	8							
16	1	105025-59510	PIPE, FUEL	1							
17	1	105230-59510	PIPE, FUEL	1							
18	1	121576-59570	PIPE, FUEL L=2650	1							
19	1	105025-59580	PIPE, FUEL	1							

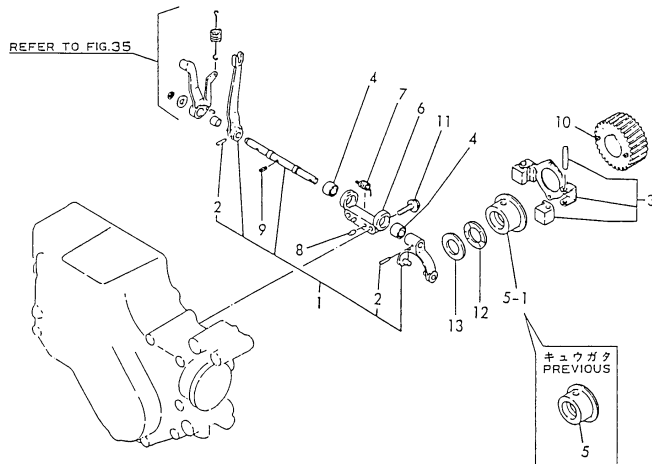


# Fig.34. GOVERNOR DRIVING

(A)=3T84HLE-TBS  
 (B)=3T84HTLE-TB  
 (C)=

(D)=  
 (E)=  
 (F)=

SPEC. CODE  
 C29335-61100



No.	Lev.	Parts No.	Description	Q'ty						I	R
				(A)	(B)	(C)	(D)	(E)	(F)		
1	1	121450-61001	LEVER ASSY, GOVERNOR	1							
2	2	22322-030180	PIN, TAPER 3X18	2							
3	1	121450-61101	WEIGHT ASSY,GOVERNOR	1							
4	1	121520-61520	BEARING, NEEDLE	2							
5	1	129350-61600	SLEEVE, GOVERNOR	1							
5-1	1	129335-61600	SLEEVE, GOVERNOR	1							F 1
(A=EA6805)											
6	1	121520-61620	SUPPORT	1							
7	1	121450-61631	SPRING	1							
8	1	22312-040080	PIN, PARALLEL M4X 8	2							
9	1	22351-030010	PIN, SPRING 3.0X10	1							
10	1	22351-040008	PIN, SPRING 4.0X 8	2							
11	1	26106-060222	BOLT, M6X 22 PLATED	2							
12	1	121575-61710	BEARING, FNTA-2542	1							W 1
(A=EA6805)											
13	1	121575-61720	COLLAR	1							W 1
(A=EA6805)											

Remarks

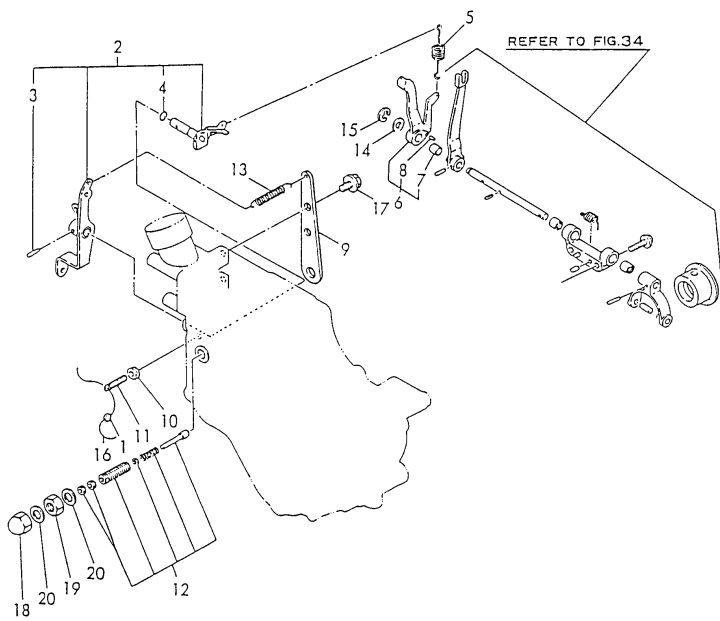
(1) INTERCHANGEABLE BY SIMULTAEIOUS REPLACEMENT WITH REF.NO.12-1, NO.12 & NO.13.

Fig.35. CONTORL DEVICE

(A)=3T84HLE-TBS  
 (B)=3T84HTLE-TB  
 (C)=

(D)=  
 (E)=  
 (F)=

SPEC. CODE  
 D29327-66110



No.	Lev.	Parts No.	Description	Q'ty						I	R
				(A)	(B)	(C)	(D)	(E)	(F)		
1	1	135210-61090	LEAD	1							
2	1	129327-66000	HANDLE ASSY	1							
2-1	1	129327-66001	HANDLE ASSY	1							N
(A=EA4528)											
3	2	22322-030200	PIN, TAPER 3X20	1							
4	2	24311-000070	O-RING, 1AP7.0	1							
5	1	129350-66010	SPRING, REGULATOR	1							
6	1	121450-66180	LEVER ASSY	1							
7	2	121450-66170	BUSH	1							
8	2	22312-030080	PIN, PARALLEL M3X 8	1							
9	1	129327-66200	SUPPORT, WIRE	1							
10	1	124550-66370	NUT, M6	1							
11	1	121454-66420	ADJUSTER	1							
12	1	121473-66550	LIMITER ASSY, FUEL	1							
13	1	104104-67300	SPRING, RETURN	1							
14	1	22117-080000	WASHER, 8	1							
15	1	22272-000060	RING, E- 6	1							
16	1	22451-060000	WIRE, 0.6	1							
17	1	26106-080102	BOLT, M8X 10 PLATED	2							
18	1	26687-120002	NUT, CAP M12	1							
19	1	26776-120002	NUT, LOCK M12	1							
20	1	43400-500450	SEAL WASHER 12S	2							



Fig.36. ELECTRIC EQUIPMENT

(A)=3T84HLE-TBS  
 (B)=3T84HTLE-TB  
 (C)=

(D)=  
 (E)=  
 (F)=

No.	Lev.	Parts No.	Description	Q'ty						I	R
				(A)	(B)	(C)	(D)	(E)	(F)		
1	1	124950-55900	PIECE, DISTANCE	1							
2	1	124950-55900	PIECE, DISTANCE	1							
3	1	121254-77010	STARTER, S13-41	1							
3-1	1	121254-77011 (A=EA4899)	STARTER, S13-41A	1							R
3-2	1	121254-77012 (A=EA8363)	STARTING MOTOR(DC12V	1							N
4	1	124080-77201	GENERATOR, LR135-91	1							
5	1	121521-77330	ADJUSTER	1							
6	1	22137-080000	WASHER, 8	1							
7	1	22217-080000	WASHER, SPRING 8	1							
8	1	26014-080252	BOLT, M8X 25	1							
9	1	26106-081202	BOLT, M8X120 PLATED	1							
10	1	26716-080002	NUT, M8	1							
11	1	171051-77100	RELAY, SAFETY	1							
12	1	129322-77400	PUMP ASSY, FUEL FEED	1							
12-1	1	129322-77401 (A=EA6366)	PUMP ASSY, FUEL FEED	1							N
13	1	124550-77030	COVER, TERMINAL	1							

SPEC. CODE  
 D29327-77110

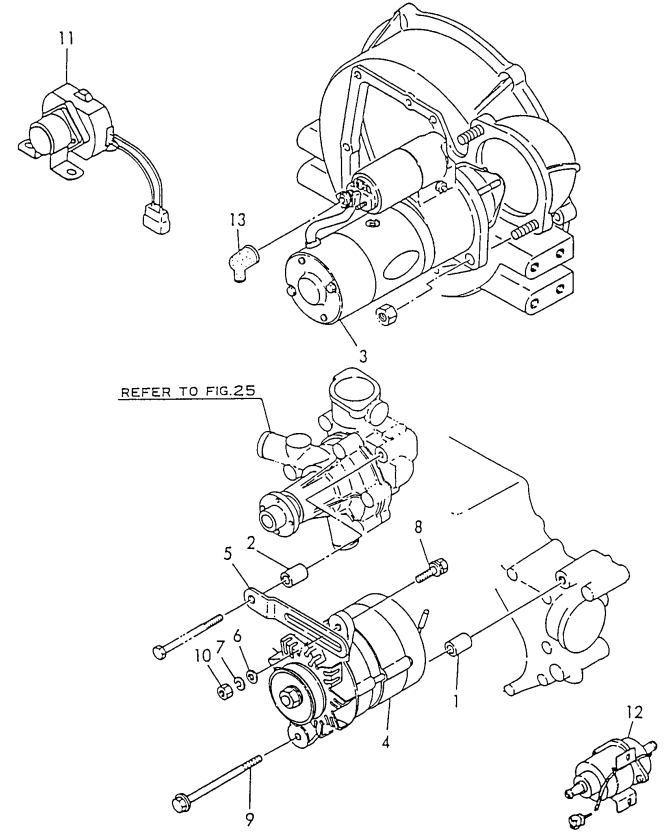
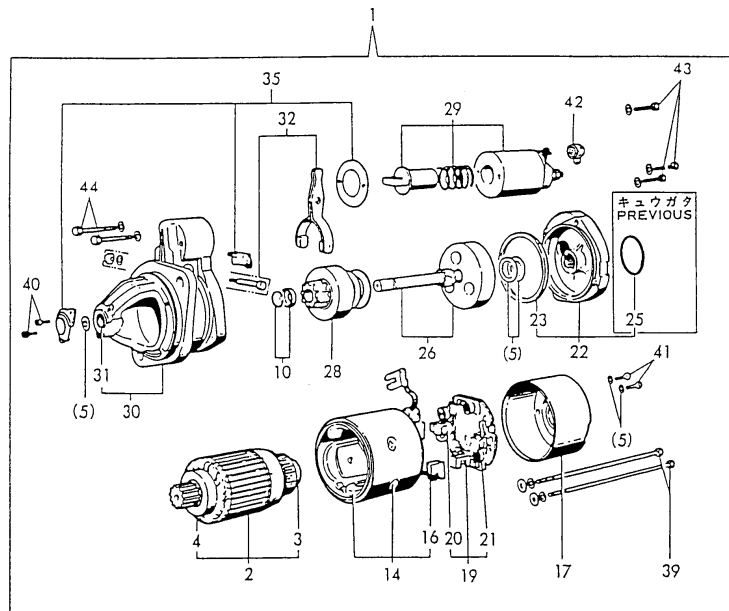


Fig.37. STARTING MOTOR COMPONENT PARTS

(A)=3T84HLE-TBS  
(B)=3T84HTLE-TB  
(C)=

(D)=  
(E)=  
(F)=

SPEC. CODE  
029327-77110



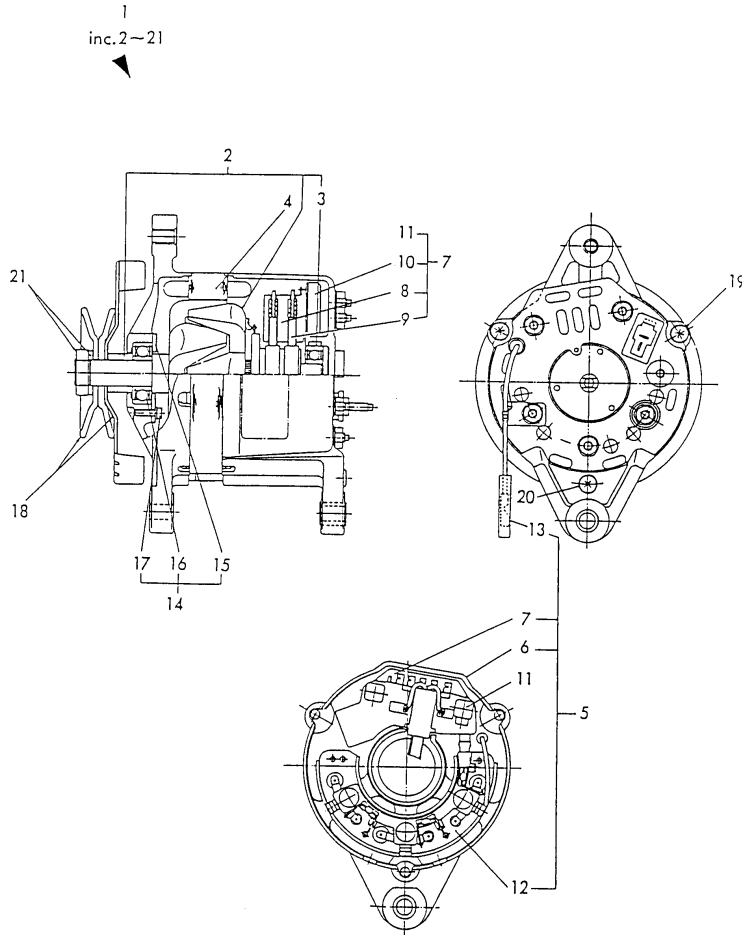
No.	Lev.	Parts No.	Description	Qty						I	R
				(A)	(B)	(C)	(D)	(E)	(F)		
1	1	121254-77010	STARTER, S13-41	1							
1-1	1	121254-77011	STARTER, S13-41A	1							R
(A=EA4899)											
1-2	1	121254-77012	STARTING MOTOR(DC12V	1							N
(A=EA8363)											
2	2	121254-77400	ARMATURE ASSY	1							
2-1	2	121254-77401	ARMATURE ASSY	1							N
(A=EA8363)											
3	3	121254-77410	BALL BEARING	1							Z
(A=EA8363)											
4	3	121254-77420	BALL BEARING	1							Z
(A=EA8363)											
5	2	121254-77430	WASHER KIT, THRUST	1							
10	2	121254-77480	STOPPER KIT, PINION	1							
14	2	121254-77520	COIL ASSY, FIELD	1							
16	3	121254-77540	BRUSH(+)	2							
17	3	121254-77550	COVER ASSY, REAR	1							
19	2	121254-77570	HOLDER ASSY, BRUSH	1							
20	3	121254-77580	BRUSH (-)	2							
21	3	121254-77590	SPRING	4							
22	2	121254-77600	BEARING ASSY, CENTER	1							
23	3	121254-77610	SEAL, OIL	1							
23-1	3	119129-77210	SEAL, OIL	1							N
(A=EA7792)											
25	3	121254-77630	O-RING	1							Z
(A=EA4899)											
26	2	121254-77640	SHAFT ASSY, GEAR	1							
28	2	121254-77660	PINION ASSY	1							
28-1	2	121254-77661	PINION ASSY	1							N
(A=EA4899)											
29	2	121254-77670	SWITCH, MAGNETIC	1							
30	2	121254-77680	CASE ASSY, GEAR	1							
30-1	2	121254-77681	CASE ASSY, GEAR	1							N
(A=EA4899)											
31	3	121254-77690	METAL, GEAR CASE	1							
32	2	121254-77700	LEVER SET, SHIFT	1							
35	2	121254-77730	DUST COVER SET	1							
39	2	121254-77770	BOLT, THROUGH	2							
40	2	121254-77780	SCREW 5	2							
40-1	2	26450-050122	BOLT, M5X 12	2							N
(A=FROM 1ST)											
41	2	121254-77790	SCREW 4	2							
42	2	121254-77810	COVER, TERMINAL	1							
43	2	26106-060302	BOLT, M6X 30 PLATED	3							
44	2	26106-060452	BOLT, M6X 45 PLATED	2							

Fig.38. GENERATOR COMPONENT PARTS

(A)=3T84HLE-TBS  
(B)=3T84HTLE-TB  
(C)=

(D)=  
(E)=  
(F)=

No.	Lev.	Parts No.	Description	Q'ty						I	R
				(A)	(B)	(C)	(D)	(E)	(F)		
1	1	124080-77201	GENERATOR, LR135-91	1							
2	2	XL13511001	ROTAR ASSY	1							
2-1	2	124080-77300	ROTOR ASSY	1							R
(A=FROM 1ST)											
2A	3	124080-77310	SPACER	1							W
(A=FROM 1ST)											
3	3	X6201SD	BALL BEARING	1							
3-1	3	124080-77490	BALL BEARING	1							R
(A=FROM 1ST)											
4	2	XL1356200	STATOR ASSY	1							
4-1	2	124080-77320	STATOR ASSY	1							R
(A=FROM 1ST)											
5	2	XL12053002	COVER ASSY, REAR	1							
5-1	2	124080-77330	COVER ASSY	1							R
(A=FROM 1ST)											
6	3	XL12033011	COVER, REAR	1							
6-1	3	124080-77340	COVER, REAR	1							R
(A=FROM 1ST)											
7	3	XL13513152	BRUSH REGULATOR(W/CO	1							
7-1	3	124080-77350	BRUSH REGULATOR(N/CO	1							R
(A=FROM 1ST)											
8	4	XL1354326	BRUSH, CARBON	1							
8-1	4	124080-77360	BRUSH ASSY	2							R
(A=FROM 1ST)											
9	4	XL12013262	BRUSH	2							
10	4	XTR1Z63	REGULATOR	1							
10-1	4	124080-77390	REGULATOR ASSY	1							R
(A=FROM 1ST)											
11	4	XL13513134	BOLT M5	2							
11-1	4	124080-77520	BOLT M5	2							R
(A=FROM 1ST)											
12	3	XL13513203	DIODE ASSY	1							
12-1	3	124080-77400	DIODE ASSY	1							R
(A=FROM 1ST)											
13	3	XL1356360	WIRE ASSY	1							
13-1	3	124080-77530	WIRE ASSY, LEAD	1							R
(A=FROM 1ST)											
14	2	XL1202401	COVER ASSY, FRONT	1							
14-1	2	124080-77420	COVER ASSY	1							R
(A=FROM 1ST)											
15	3	XL13514041	RETAINER	1							
15-1	3	124080-77430	RETAINER, BEARING	1							R
(A=FROM 1ST)											
16	3	X6202BM	BALL BEARING 6202B	1							
16-1	3	124080-77480	BEARING, 6202DDU	1							R
(A=FROM 1ST)											
17	3	XL12010001	SCREW KIT	1							
17-1	3	124080-77500	SCREW KIT	1							R
(A=FROM 1ST)											
18	2	XL1201510	PULLEY ASSY	1							
18-1	2	124080-77440	PULLEY ASSY	1							R



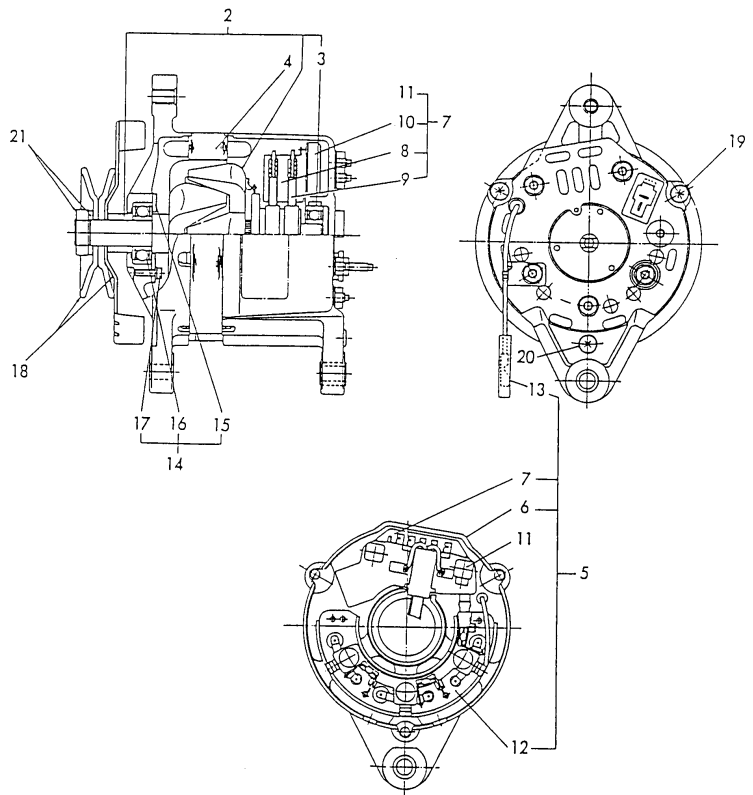
SPEC. CODE  
029327-77110

# Fig.38. GENERATOR COMPONENT PARTS

(A)=3T84HLE-TBS  
 (B)=3T84HTLE-TB  
 (C)=  
 (D)=  
 (E)=  
 (F)=

SPEC. CODE  
 029327-77110

1  
 inc.2-21



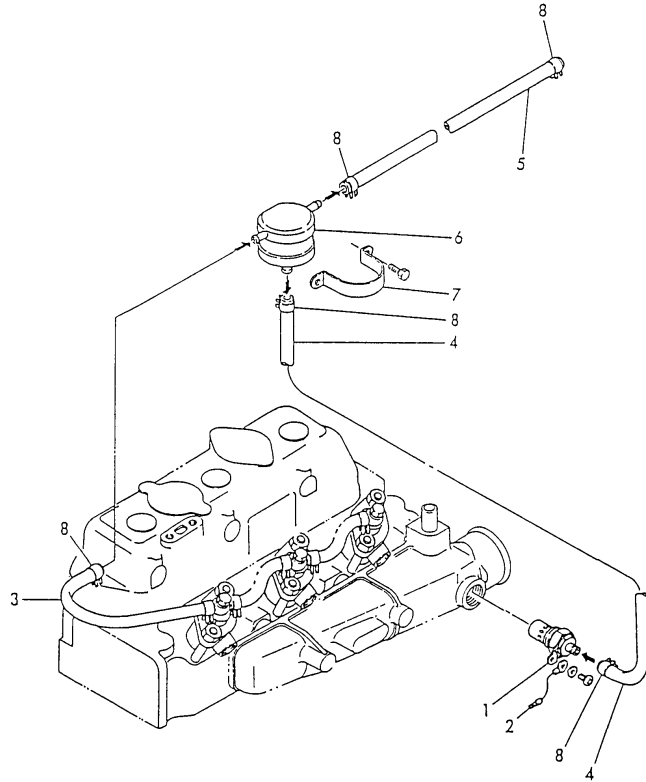
No.	Lev.	Parts No.	Description	Q'ty						I	R
				(A)	(B)	(C)	(D)	(E)	(F)		
(A=FROM 1ST)											
19	2	XL1254801	BOLT, THROUGH	2							
19-1	2	124080-77450	BOLT, THROUGH	2							R
(A=FROM 1ST)											
20	2	XL1255801	BOLT, THROUGH	1							
20-1	2	124080-77460	BOLT, THROUGH	1							R
(A=FROM 1ST)											
21	2	XB495469B	NUT ASSY, PULLEY	1							
21-1	2	124080-77470	NUT ASSY, PULLEY	1							R
(A=FROM 1ST)											

Fig.39. THERMOSTAT

(A)=3T84HLE-TBS  
 (B)=3T84HTLE-TB  
 (C)=

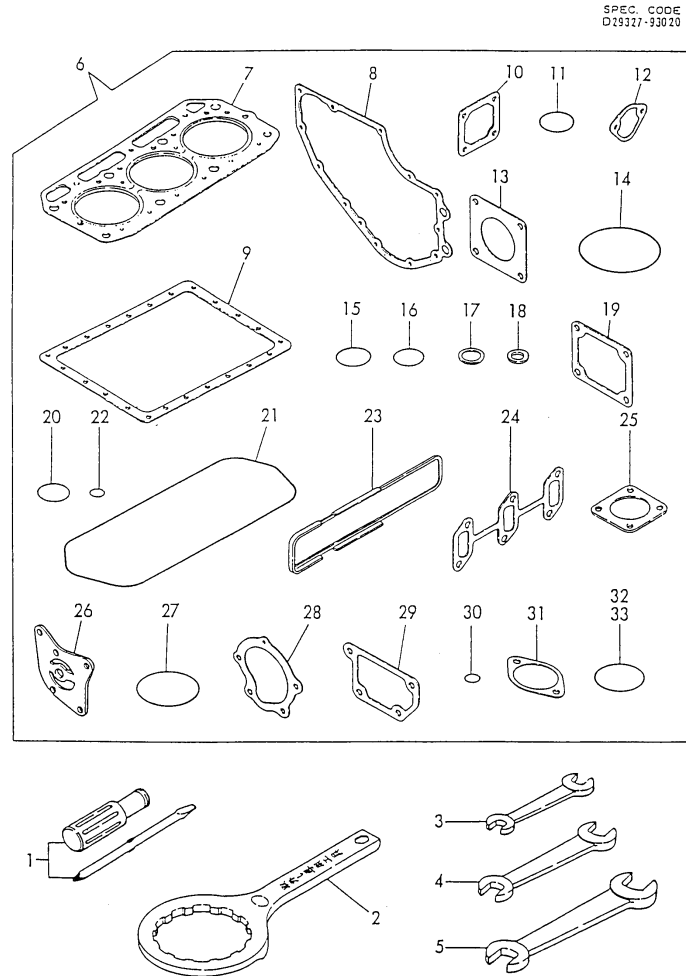
(D)=  
 (E)=  
 (F)=

SPEC. CODE  
 D29327-77200



No.	Lev.	Parts No.	Description	Q'ty						I	R
				(A)	(B)	(C)	(D)	(E)	(F)		
1	1	121023-77910	PLUG, THERMOSTAT	1							
2	1	121120-77920	WIRE	1							
3	1	121952-59560	PIPE, FUEL RETURN	1							
4	1	121952-59560	PIPE, FUEL RETURN	1							
5	1	129335-77711	PIPE, FUEL D11X2500	1							
6	1	121750-77800	TANK ASSY, HEADER	1							
7	1	124460-77820	RETAINER	1							
8	1	124060-77680	CLIP, HOSE 10	6							

Fig.40. GASKET SET & TOOLS



No.	Lev.	Parts No.	Description	Q'ty						I	R
				(A)	(B)	(C)	(D)	(E)	(F)		
1	1	104200-92350	DRIVER, SCREW	1							
2	1	124550-35350	WRENCH, FILTER	1							
2-1	1	119640-92750	WRENCH, FILTER 80	1							R
(A=EA8363)											
3	1	28110-100120	SPANNER, 10X12	1							
4	1	28110-140170	SPANNER, 14X17	1							
5	1	28110-190220	SPANNER, 19X22	1							
6	1	729327-92610	GASKET SET	1							1
6-1	1	729327-92611	GASKET SET	1							N 1
(A=EA7961)											
6-2	1	729327-92612	GASKET SET	1							N 1
(A=EA8348)											
6-3	1	729327-92613	GASKET SET	1							N 1
(A=EXXX)											
7	2	129350-01331	GASKET, HEAD	1							
8	2	121575-01510	GASKET, GEAR CASE	1							
8-1	2	121575-01511	GASKET, GEAR CASE	1							N
(A=EA7363)											
9	2	121575-01750	GASKET, OIL SUMP	1							
9-1	2	121575-01750	GASKET, OIL SUMP	1							N
(A=EA8363)											
10	2	121450-01531	GASKET	1							
11	2	121420-01760	O-RING	1							
11-1	2	24311-000320	O-RING, 1AP32.0	1							N
(A=EA8363)											
12	2	121520-01850	GASKET	1							
12-1	2	121520-01851	GASKET	1							N
(A=EA7961)											
13	2	124240-01882	GASKET	1							
13-1	2	124240-01883	GASKET	1							N
(A=EA7961)											
14	2	24341-001350	O-RING, 1AS135.0	1							
15	2	24341-000460	O-RING, 1AS46.0	1							
16	2	24341-000400	O-RING, 1AS40.0	1							
17	2	101704-11450	GASKET, CHAMBER	6							
18	2	103854-11490	INSULATOR	3							
19	2	121450-11680	GASKET	1							
19-1	2	121450-11681	GASKET	1							N
(A=EA8363)											
20	2	24311-000320	O-RING, 1AP32.0	1							
21	2	129350-11310	GASKET, BONNET	1							
22	2	24311-000120	O-RING, 1AP12.0	3							
23	2	129350-12710	GASKET, MANIFOLD	1							
24	2	129350-13250	GASKET	1							
24-1	2	129322-13520	GASKET	1							R
(A=EA6050)											
25	2	124701-11910	GASKET, SILENCER	1							
25-1	2	124701-11911	GASKET, SILENCER	1							N
(A=EA8348)											
26	2	121450-32021	GASKET, PUMP	1							
27	2	124450-35110	O-RING	1							

Remarks  
(1) OPTIONAL PARTS.

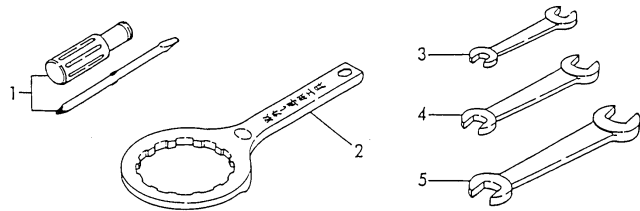
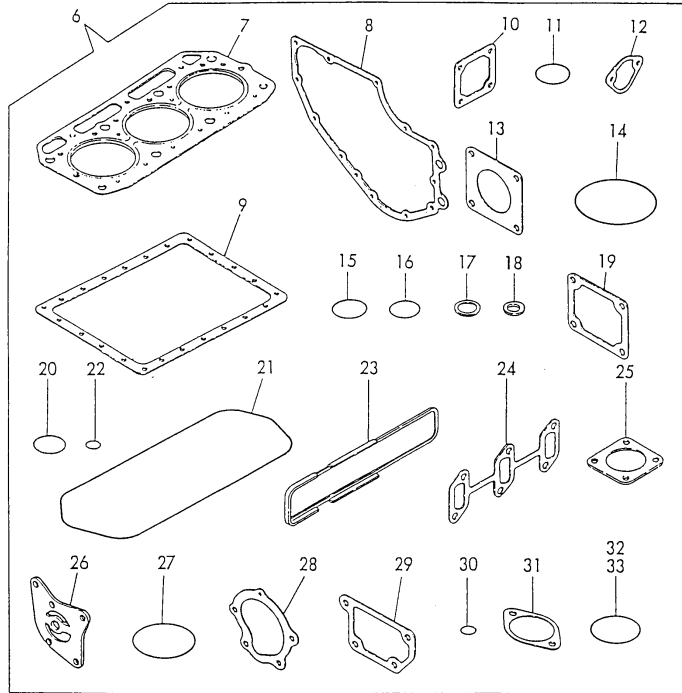
# Fig.40. GASKET SET & TOOLS

(A)=3T84HLE-TBS  
(B)=3T84HTLE-TB  
(C)=

(D)=  
(E)=  
(F)=

No.	Lev.	Parts No.	Description	Q'ty						I	R
				(A)	(B)	(C)	(D)	(E)	(F)		
28	2	129327-42051	GASKET, WATER PUMP	1							
29	2	121450-44410	GASKET	1							
30	2	24311-000160	O-RING, 1AP16.0	1							
31	2	129350-49540	GASKET	1							
31-1	2	129350-49541	GASKET	1							N
(A=EA7961)											
32	2	102103-55520	O-RING	1							
33	2	102103-55520	O-RING	1							

SPEC. CODE  
D29327-93020



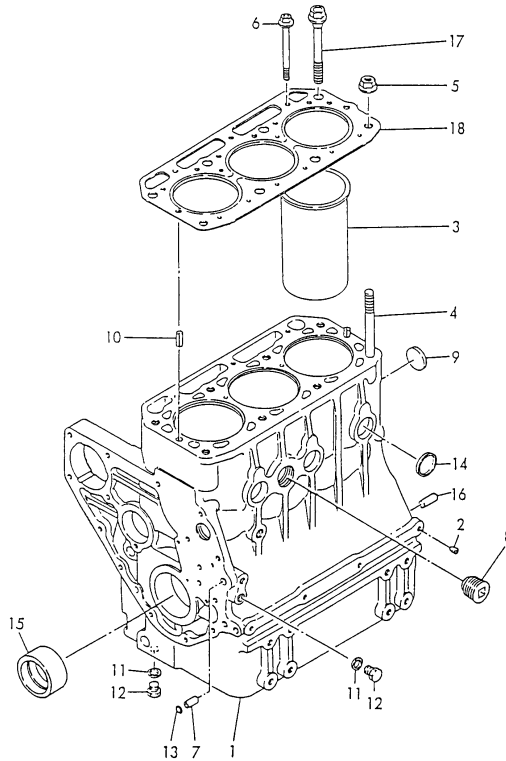
Remarks  
(1) OPTIONAL PARTS.

# Fig.41. CYLINDER BLOCK

(A)=3T84HLE-TBS  
 (B)=3T84HTLE-TB  
 (C)=

(D)=  
 (E)=  
 (F)=

SPEC. CODE  
 D29322-01100



No.	Lev.	Parts No.	Description	Q'ty						I	R	
				(A)	(B)	(C)	(D)	(E)	(F)			
1	1	729322-01560	BLOCK ASSY, CYLINDER		1							
2	2	124060-01050	PLUG, PT1/8		6							
3	2	129322-01100	LINER, CYLINDER		3							
4	2	124950-01210	BOLT, HEAD		2							
5	2	121450-01220	NUT, CYLINDER HEAD		2							
6	2	129350-01230	BOLT, HEAD		3							
7	2	124085-01900	GUIDE		2							
8	2	171051-01921	PLUG, NPTF1		1							
9	2	121450-01990	PLUG, 30		1							
10	2	22351-060012	PIN, SPRING 6.0X12		2							
11	2	23414-120016	GASKET, 12X1.0		2							
12	2	23881-120002	PLUG		2							
13	2	24311-000100	O-RING, 1AP10.0		2							
14	2	27241-300000	PLUG 30		6							
15	2	129322-02100	BEARING, MAIN		1							
16	2	22312-080160	PIN, PARALLEL M8X16		2							
17	1	129350-01200	BOLT, HEAD		6							
18	1	129322-01330	GASKET, HEAD		1							§

Remarks

(§) THESE PARTS ARE SOLD BY FIG.84,  
 REF.NO.1,1-1,1-2.

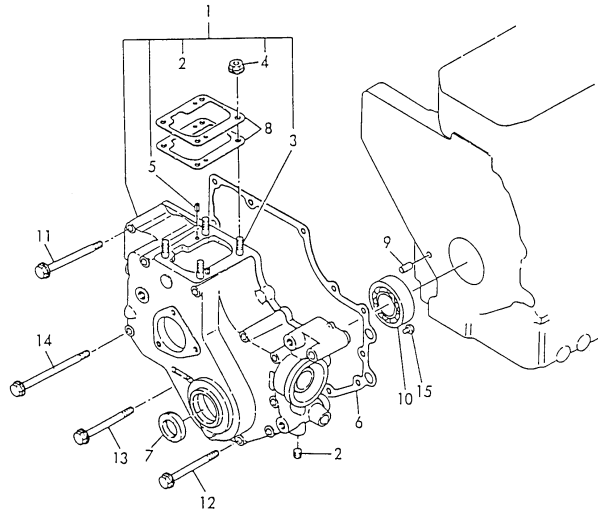


Fig.42. GEAR HOUSING

(A)=3T84HLE-TBS  
 (B)=3T84HTLE-TB  
 (C)=

(D)=  
 (E)=  
 (F)=

SPEC. CODE  
 U71064-01200



No.	Lev.	Parts No.	Description	Q'ty						I	R
				(A)	(B)	(C)	(D)	(E)	(F)		
1	1	729335-01612	CASE ASSY, GEAR		1						
2	2	124060-01050	PLUG, PT1/8		1						
3	2	121450-01560	STUD, M8X22		4						
4	2	194990-22050	NUT, M8		4						
5	2	22351-040010	PIN, SPRING 4.0X10		2						
6	1	121575-01510	GASKET, GEAR CASE		1						\$
6-1	1	121575-01511	GASKET, GEAR CASE		1						N \$
		(B=E03112)									
7	1	121450-01801	SEAL, TC25408		1						
8	1	121450-01951	SHIM SET, ADJUSTING		1						
9	1	22312-080160	PIN, PARALLEL M8X16		1						
10	1	24101-063050	BEARING, BALL 6305C3		1						
11	1	26106-080752	BOLT, M8X 75 PLATED		2						
12	1	26106-080852	BOLT, M8X 85 PLATED		5						
13	1	26106-080902	BOLT, M8X 90 PLATED		2						
14	1	26106-081152	BOLT, M8X115 PLATED		3						
15	1	26587-080102	SCREW, M8X10		1						

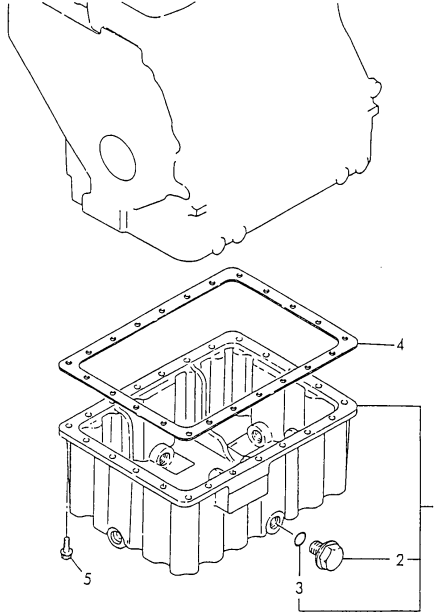
Remarks  
 (\$) THESE PARTS ARE SOLD BY FIG.84,  
 REF.NO.1,1-1,1-2.

# Fig.43. LUB.OIL SUMP

(A)=3T84HLE-TBS  
(B)=3T84HTLE-TB  
(C)=

(D)=  
(E)=  
(F)=

SPEC. CODE  
D29322-01310



No.	Lev.	Parts No.	Description	Q'ty						I	R	
				(A)	(B)	(C)	(D)	(E)	(F)			
1	1	729300-01540	SUMP ASSY, OIL		1							
2	2	121400-01640	PLUG, 16		3							
3	2	24311-000180	O-RING, 1AP18.0		3							
4	1	121575-01750	GASKET, OIL SUMP		1							\$
4-1	1	121575-01751 (B=E03112)	GASKET, OIL SUMP		1							N \$
5	1	26014-060202	BOLT, M6X 20		23							

Remarks

(\$) THESE PARTS ARE SOLD BY FIG.84,  
REF.NO.1,1-1,1-2.

Fig.44. MOUNTING FLANGE

(A)=3T84HLE-TBS  
 (B)=3T84HTLE-TB  
 (C)=

(D)=  
 (E)=  
 (F)=

No.	Lev.	Parts No.	Description	Q'ty						I	R
				(A)	(B)	(C)	(D)	(E)	(F)		
1	1	121522-01600	HOUSING, FLYWHEEL		1						
2	1	26206-100252	BOLT, M10X 25 PLATED		8						
3	1	26216-120252	STUD, M12X 25		2						
4	1	26716-120002	NUT, M12		2						

SPEC. CODE  
 U71002-01400

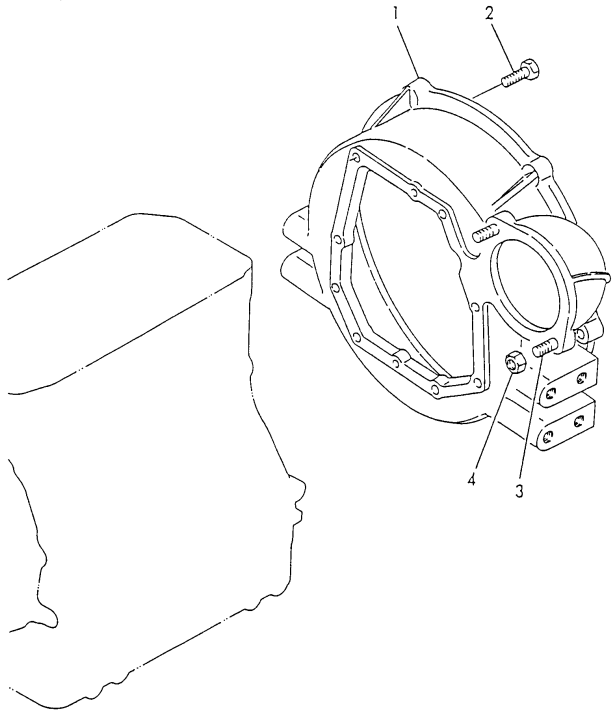
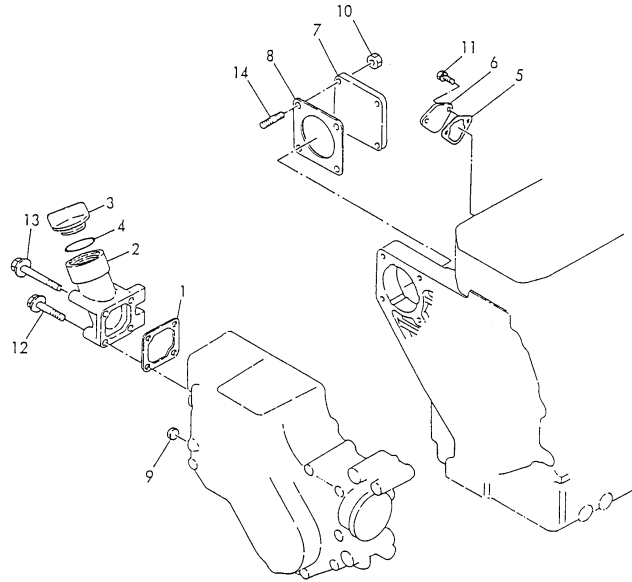


Fig.45. BLOCK BLIND COVER

(A)=3T84HLE-TBS  
 (B)=3T84HTLE-TB  
 (C)=

(D)=  
 (E)=  
 (F)=

SPEC. CODE  
 D29322-01520



No.	Lev.	Parts No.	Description	Q'ty						I	R
				(A)	(B)	(C)	(D)	(E)	(F)		
1	1	121450-01531	GASKET		1						\$
2	1	171064-01550	COVER, BLOCK		1						
3	1	124160-01751	COVER, FILLER		1						
4	1	121420-01760	O-RING		1						\$
4-1	1	24311-000320 (B=E03112)	O-RING, 1AP32.0		1					N	\$
5	1	121520-01850	GASKET		1						\$
5-1	1	121520-01851 (B=E02970)	GASKET		1					R	\$
6	1	121520-01860	COVER		1						
7	1	124240-01871	COVER		1						
8	1	124240-01882	GASKET		1						\$
8-1	1	124240-01883 (B=E02970)	GASKET		1					R	\$
9	1	121085-01890	PLUG		1						
10	1	194990-22050	NUT, M8		4						
11	1	26106-060142	BOLT, M6X 14 PLATED		2						
12	1	26106-060552	BOLT, M6X 55 PLATED		2						
13	1	26106-060652	BOLT, M6X 65 PLATED		2						
14	1	26216-080222	STUD, M8X 22		4						

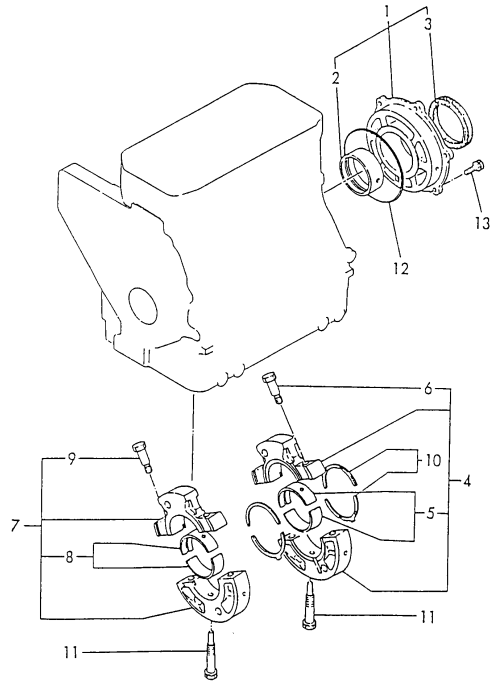
Remarks  
 (\$) THESE PARTS ARE SOLD BY FIG.84,  
 REF.NO.1,1-1,1-2.

# Fig.46. MAIN BEARING HOUSING

(A)=3T84HLE-TBS  
 (B)=3T84HTLE-TB  
 (C)=

(D)=  
 (E)=  
 (F)=

SPEC. CODE  
 D29322-02100



No.	Lev.	Parts No.	Description	Q'ty						I	R	
				(A)	(B)	(C)	(D)	(E)	(F)			
1	1	729322-02500	HOUSING ASSY, METAL		1							
2	2	129322-02110	BEARING, MAIN		1							
3	2	121551-02220	SEAL, OIL		1							
4	1	729322-02610	HOUSING ASSY, METAL		1							
5	2	129322-02140	BEARING, MAIN		1							
6	2	121250-02070	BOLT		2							
7	1	729322-02620	HOUSING ASSY		1							
8	2	129322-02140	BEARING, MAIN		1							
9	2	121250-02070	BOLT		2							
10	1	129322-02170	BEARING, THRUST		2							
11	1	129300-02300	BOLT		2							
12	1	24341-001350	O-RING, 1AS135.0		1							\$
13	1	26013-080202	BOLT, M8X 20		6							

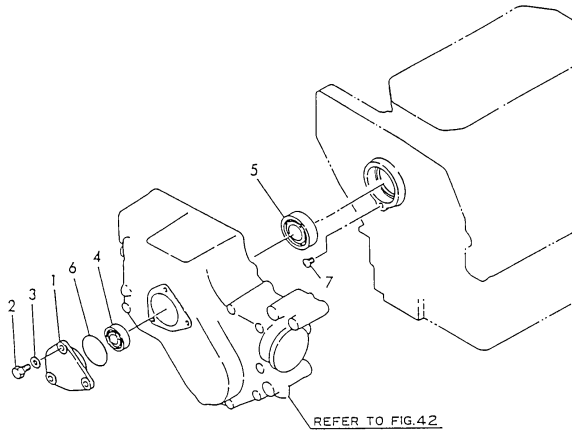
Remarks  
 (\$) THESE PARTS ARE SOLD BY FIG.84,  
 REF.NO.1,1-1,1-2.

Fig.47. CAMSHAFT BEARING

(A)=3T84HLE-TBS  
 (B)=3T84HTLE-TB  
 (C)=

(D)=  
 (E)=  
 (F)=

SPEC. CODE  
 D29301-02200



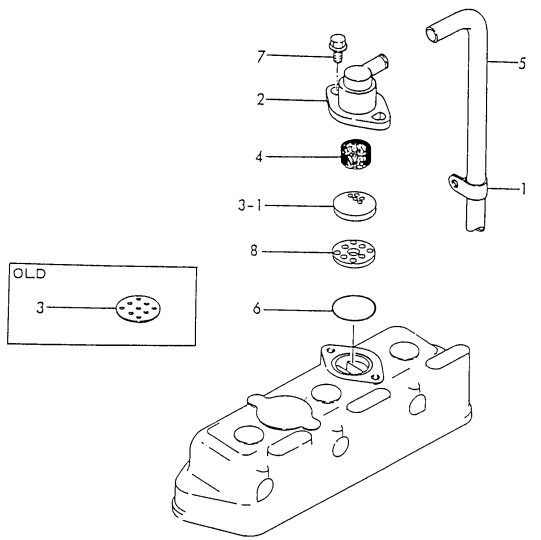
No.	Lev.	Parts No.	Description	Q'ty						I	R
				(A)	(B)	(C)	(D)	(E)	(F)		
1	1	129301-02801	HOUSING		1						
2	1	121456-91981	BOLT, M8X16		3						
3	1	23414-080000	GASKET, 8X1.0		3						
4	1	24101-062024	BEARING, BALL 6202		1						
5	1	24101-062054	BEARING, BALL 6205		1						
6	1	24341-000460	O-RING, 1AS46.0		1						\$
7	1	26587-080102	SCREW, M8X10		1						
7-1	1	26587-080122 (B=E02015)	SCREW, M8X12		1						N

Remarks  
 (\$) THESE PARTS ARE SOLD BY FIG.84,  
 REF.NO.1,1-1,1-2.

Fig.48. BREATHER

(A)=3T84HLE-TBS  
 (B)=3T84HTLE-TB  
 (C)=  
 (D)=  
 (E)=  
 (F)=

SPEC. CODE  
 D29322-03100



No.	Lev.	Parts No.	Description	Qty						I	R
				(A)	(B)	(C)	(D)	(E)	(F)		
1	1	124160-01650	CLAMP, PIPE		1						
2	1	121450-03012	BODY, BREATHER		1						
3	1	121450-03020	BODY, BREATHER		1						
3-1	1	121250-03021 (B=E02240)	BODY, BREATHER		1						S
4	1	121450-03030	WOOL, STEEL		1						
5	1	23065-130650	PIPE, 13X 650		1						
6	1	24341-000400	O-RING, 1AS40.0		1						\$
7	1	26106-080162	BOLT, M8X 16 PLATED		2						
8	1	121250-03030 (B=E02240)	BODY, BREATHER		1						W

Remarks  
 (\$) THESE PARTS ARE SOLD BY FIG.84,  
 REF.NO.1,1-1,1-2.

Fig.49. ENGINE LIFTER

(A)=3T84HLE-TBS  
 (B)=3T84HTLE-TB  
 (C)=

(D)=  
 (E)=  
 (F)=

No.	Lev.	Parts No.	Description	Qty						I	R
				(A)	(B)	(C)	(D)	(E)	(F)		
1	1	121575-07230	LIFTER		1						
2	1	129305-07950	NUT, M12		1						

SPEC. CODE  
 D24936-07300

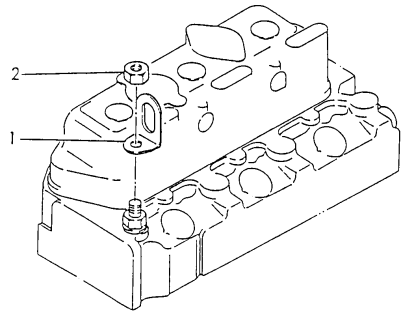
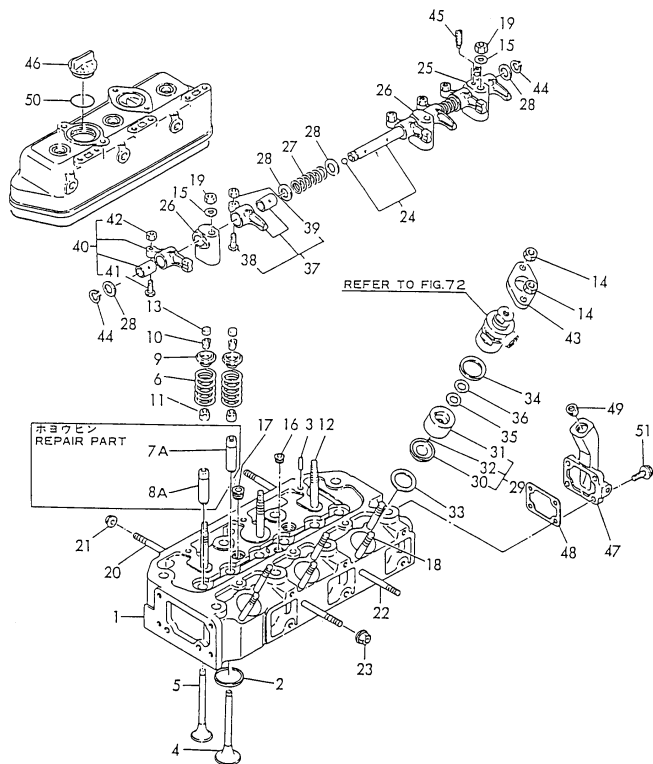




Fig.50. CYLINDER HEAD

SPEC. CODE  
O29322-11100  
O29322-11420



(A)=3T84HLE-TBS  
(B)=3T84HTLE-TB  
(C)=

(D)=  
(E)=  
(F)=

No.	Lev.	Parts No.	Description	Qty						I	R
				(A)	(B)	(C)	(D)	(E)	(F)		
1	1	729322-11700	HEAD ASSY, CYLINDER	1							
2	2	129322-11080	SEAT, INTAKE VALVE		3						
3	2	121000-11050	PIN, 4.5X12		1						
4	2	129322-11100	VALVE, INTAKE		3						
5	2	129322-11110	VALVE, EXHAUST		3						
6	2	104511-11120	SPRING, VALVE		6						
7A	2	120130-11860	GUIDE, VALVE		3						1
8A	2	129150-11810	GUIDE, VALVE		3						1
9	2	103338-11180	RETAINER, SPRING		6						
10	2	103338-11190	COTTER		6						
10-1	2	27310-080001	COTTER, 8		6						R
(B=EXXXXX)											
11	2	124460-11340	SEAL, VALVE STEM		6						
12	2	105225-11350	STUD		3						
13	2	104511-11370	CAP, VALVE		6						
14	2	121465-11950	NUT		6						
15	2	22137-100000	WASHER, 10		3						
16	2	23871-020000	PLUG, R02		1						
17	2	23871-030000	PLUG, R03		2						
18	2	26216-080652	STUD, M8X 65		6						
19	2	26696-100002	NUT, LOCK M10		3						
20	2	121450-11550	STUD, MANIFOLD		2						
21	2	194990-22050	NUT, M8		2						
22	2	26216-080902	STUD, M8X 90		2						
23	2	26366-080002	NUT, M8		2						
24	1	129350-11240	SHAFT ASSY, ROCKER		1						
25	1	121450-11260	SUPPORT, ROCKER ARM		1						
26	1	121450-11270	SUPPORT, ROCKER ARM		2						
27	1	121550-11280	SPRING		2						
28	1	121550-11290	WASHER		6						
29	1	129331-11420	CHAMBER ASSY		3						
30	2	129331-11400	CHAMBER		3						
31	2	129331-11410	CHAMBER		3						
32	2	124970-11470	SPRING		6						
33	1	101704-11450	GASKET, CHAMBER		3						\$
34	1	129331-11450	GASKET		3						
35	1	124970-11460	GASKET, CHAMBER		3						
36	1	124970-11490	INSULATOR		3						\$
37	1	729350-11650	ARM ASSY, ROCKER		3						
38	2	101158-11230	SCREW, VALVE ADJUST		3						
39	2	26756-080002	NUT, LOCK M8		3						
40	1	729350-11660	ARM ASSY, ROCKER		3						
41	2	101158-11230	SCREW, VALVE ADJUST		3						
42	2	26756-080002	NUT, LOCK M8		3						
43	1	101147-11900	RETAINER		3						
44	1	22242-000140	RING, 14		2						
45	1	26921-080102	SCREW, M8X10		1						
46	1	124160-01751	COVER, FILLER		1						
47	1	121521-11670	COVER, HEAD		1						
48	1	121450-11680	GASKET		1						\$
48-1	1	121450-11681	GASKET		1						N \$

Remarks

(1) REPAIR PART.  
(\$ ) THESE PARTS ARE SOLD BY FIG.84,  
REF.NO.1,1-1,1-2.

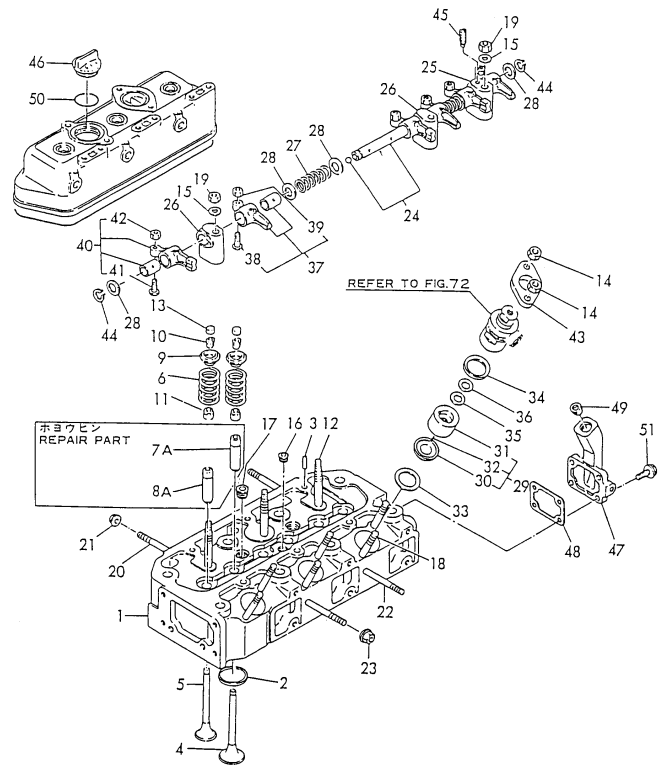
Fig.50. CYLINDER HEAD

(A)=3T84HLE-TBS  
 (B)=3T84HTLE-TB  
 (C)=

(D)=  
 (E)=  
 (F)=

No.	Lev.	Parts No.	Description	Q'ty						I	R
				(A)	(B)	(C)	(D)	(E)	(F)		
			(B=E03112)								
49	1	23871-030000	PLUG, R03		1						
50	1	24321-000350	O-RING, 1AG35.0		1						\$
51	1	26106-080202	BOLT, M8X 20 PLATED		4						

SPEC. CODE  
 029322-11100  
 029322-11420



Remarks  
 (1) REPAIR PART.  
 (\$) THESE PARTS ARE SOLD BY FIG.84,  
 REF.NO.1,1-1,1-2.

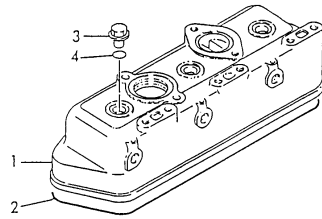
Fig.51. BONNET

(A)=3T84HLE-TBS  
 (B)=3T84HTLE-TB  
 (C)=

(D)=  
 (E)=  
 (F)=

No.	Lev.	Parts No.	Description	Q'ty						I	R
				(A)	(B)	(C)	(D)	(E)	(F)		
1	1	129301-11300	BONNET		1						
1-1	1	129335-11300 (B=E01942)	BONNET		1						S
2	1	129322-11310	GASKET, BONNET		1						\$
3	1	124160-11360	KNOB		3						
4	1	24311-000120	O-RING, 1AP12.0		3						

SPEC. CODE  
 D29322-11201



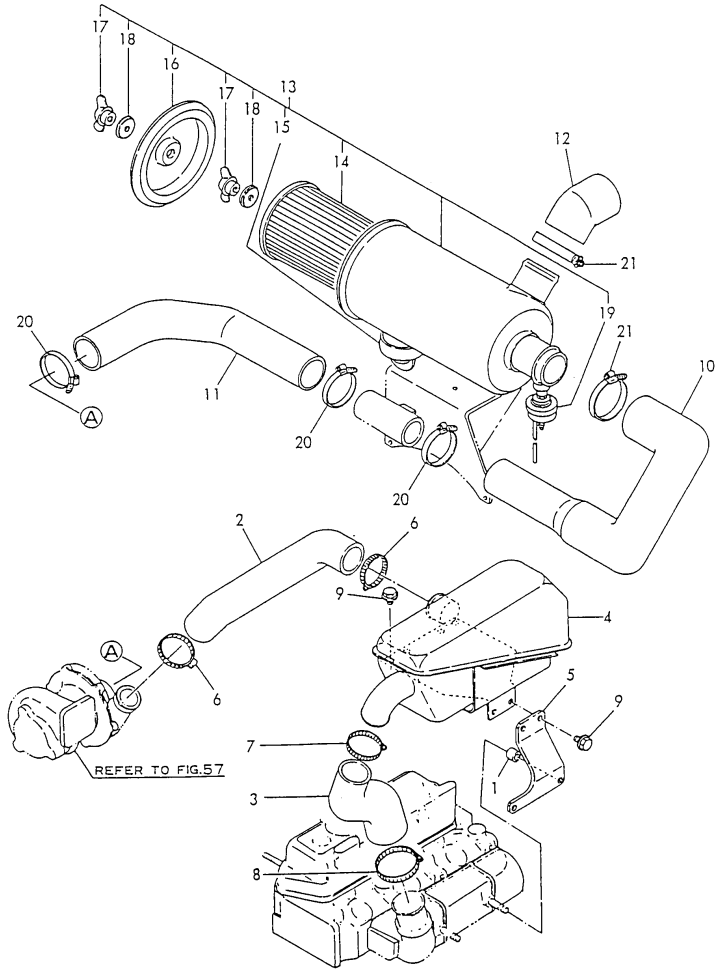
Remarks  
 (\$) THESE PARTS ARE SOLD BY FIG.84  
 REF.NO.1,1-1,1-2.

Fig.52. AIR CLEANER

(A)=3T84HLE-TBS  
 (B)=3T84HTLE-TB  
 (C)=

(D)=  
 (E)=  
 (F)=

SPEC. CODE  
 D29322-12101



No.	Lev.	Parts No.	Description	Q'ty						I	R
				(A)	(B)	(C)	(D)	(E)	(F)		
1	1	124550-01901	BUSH		1						
2	1	129322-12051	PIPE, AIR INTAKE		1						
3	1	129322-12061	PIPE, AIR INTAKE		1						
4	1	129322-12201	TANK, SURGE		1						
5	1	129322-12211	BRACKET, TANK		1						
6	1	23000-054000	CLAMP, 54		2						
7	1	23000-060000	CLAMP, 60		1						
8	1	23000-070000	CLAMP, 70		1						
9	1	26106-080122	BOLT, M8X 12 PLATED		6						
10	1	129322-12080	PIPE, AIR INTAKE		1						
11	1	129322-12090	PIPE, AIR INTAKE		1						
12	1	129322-12100	PIPE, AIR INTAKE		1						
13	1	129403-12500	CLEANER ASSY, AIR		1						
14	2	129150-12510	ELEMENT		1						
15	2	129150-12520	VALVE, UNLOADER		1						
16	2	XX75129003	COVER		1						
17	2	XX75180110	NUT, WING		2						
18	2	XNAC100051	WASHER, SEAL		2						
19	2	XWAD065005	INDICATOR		1						
20	1	23000-060000	CLAMP, 60		3						
21	1	23000-070000	CLAMP, 70		2						

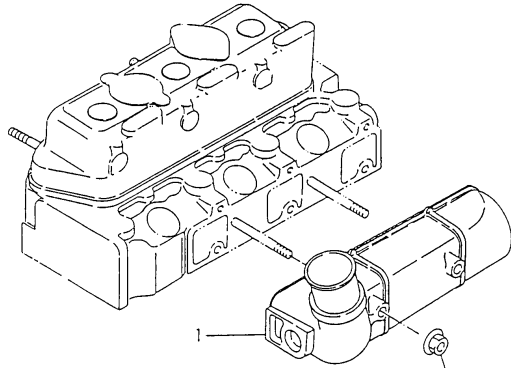
# Fig.53. SUCTION MANIFOLD

(A)=3T84HLE-TBS  
 (B)=3T84HTLE-TB  
 (C)=

(D)=  
 (E)=  
 (F)=

No.	Lev.	Parts No.	Description	Q'ty						I	R	
				(A)	(B)	(C)	(D)	(E)	(F)			
1	1	129322-12700	MANIFOLD, AIR INTAKE		1							

SPEC. CODE  
 D29322-12200.



REFER TO FIG.50

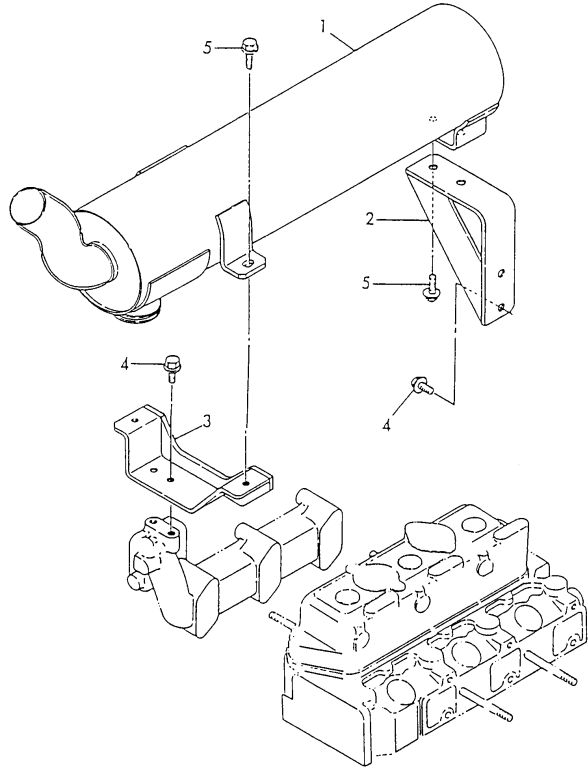
# Fig.54. SILENCER

(A)=3T84HLE-TBS  
 (B)=3T84HTLE-TB  
 (C)=

(D)=  
 (E)=  
 (F)=

No.	Lev.	Parts No.	Description	Q'ty						I	R
				(A)	(B)	(C)	(D)	(E)	(F)		
1	1	129322-13560	SILENCER		1						
2	1	129322-13650	BRACKET		1						
3	1	129322-13660	BRACKET		1						
4	1	26106-080122	BOLT, M8X 12 PLATED		4						
5	1	26106-080182	BOLT, M8X 18 PLATED		4						

SPEC. CODE  
 D29322-13120



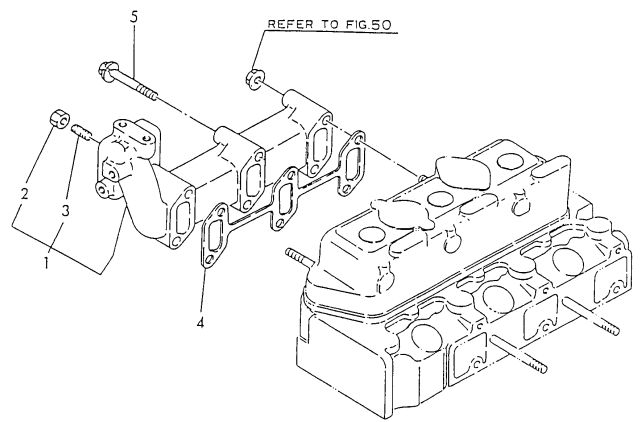
# Fig.55. EXHAUST MANIFOLD

(A)=3T84HLE-TBS  
 (B)=3T84HTLE-TB  
 (C)=

(D)=  
 (E)=  
 (F)=

No.	Lev.	Parts No.	Description	Q'ty						I	R	
				(A)	(B)	(C)	(D)	(E)	(F)			
1	1	729322-13500	MANIFOLD ASSY		1							
2	2	194990-22050	NUT, M8		4							
3	2	26216-080202	STUD, M8X 20		4							
4	1	129322-13520	GASKET		1							\$
5	1	121465-13582	BOLT, M8X58		4							

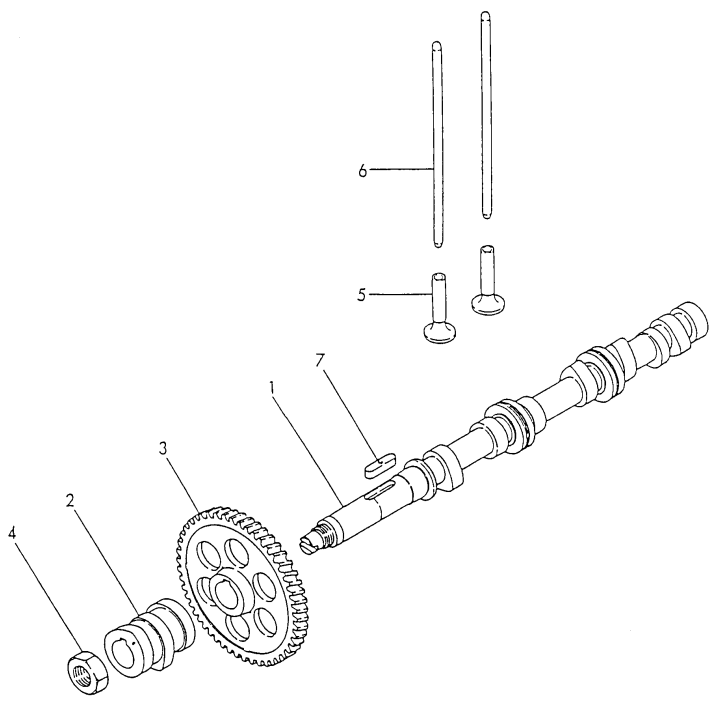
SPEC. CODE  
 D29322-13200



Remarks  
 (\$) THESE PARTS ARE SOLD BY FIG.84,  
 REF.NO.1,1-1,1-2.

Fig.56. CAMSHAFT

SPEC. CODE  
D79350-14100



(A)=3T84HLE-TBS  
(B)=3T84HTLE-TB  
(C)=

(D)=  
(E)=  
(F)=

No.	Lev.	Parts No.	Description	Q'ty						I	R	
				(A)	(B)	(C)	(D)	(E)	(F)			
1	1	129350-14010	CAMSHAFT		1							
2	1	121450-14090	CAM, FUEL		1							
3	1	129350-14100	GEAR, CAMSHAFT		1							
4	1	121450-14120	NUT		1							
5	1	104200-14200	TAPPET		6							
6	1	129350-14400	ROD, PUSH		6							
7	1	22512-070300	KEY, 7X 30		1							



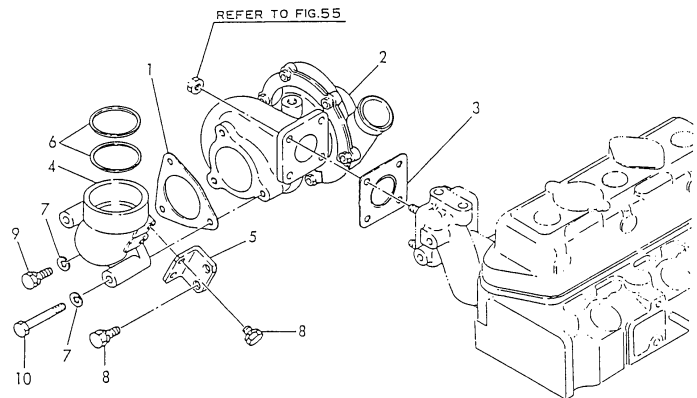
Fig.57. TURBOCHARGER

(A)=3T84HLE-TBS  
 (B)=3T84HTLE-TB  
 (C)=

(D)=  
 (E)=  
 (F)=

No.	Lev.	Parts No.	Description	Q'ty						I	R	
				(A)	(B)	(C)	(D)	(E)	(F)			
1	1	129792-13520	GASKET		1							\$
2	1	129322-18010	TURBINE, RHB51		1							
3	1	129322-18100	GASKET		1							\$
4	1	129322-18140	PIPE		1							
5	1	129322-18150	BRACKET		1							
6	1	129322-18200	RING, SEAL		2							
7	1	22217-080000	WASHER, SPRING 8		2							
8	1	26013-080162	BOLT, M8X 16		4							
9	1	26013-080222	BOLT, M8X 22		1							
10	1	26116-080702	BOLT, M8X 70 PLATED		2							

SPEC. CODE  
 D29322-18100



Remarks  
 (\$) THESE PARTS ARE SOLD BY FIG.84,  
 REF.NO.1,1-1,1,2.

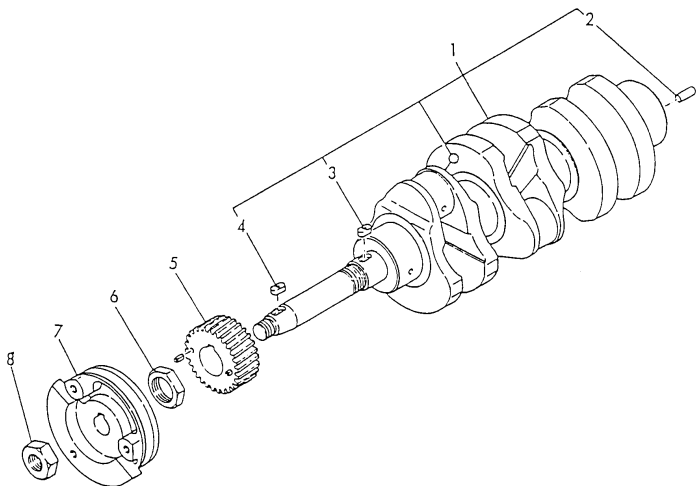
Fig.58. CRANKSHAFT

(A)=3T84HLE-TBS  
 (B)=3T84HTLE-TB  
 (C)=

(D)=  
 (E)=  
 (F)=

No.	Lev.	Parts No.	Description	Q'ty						I	R
				(A)	(B)	(C)	(D)	(E)	(F)		
1	1	729350-21700	CRANKSHAFT ASSY		1						
2	2	22312-080160	PIN, PARALLEL M8X16		1						
3	2	22512-070180	KEY, 7X 18		1						
4	2	22512-070180	KEY, 7X 18		1						
5	1	129350-21200	GEAR, CRANKSHAFT		1						
6	1	121450-21541	NUT, CRANKSHAFT GEAR		1						
7	1	129300-21650	V-PULLEY		1						
8	1	26776-180002	NUT, LOCK M18		1						

SPEC. CODE :1  
 U71064-21100



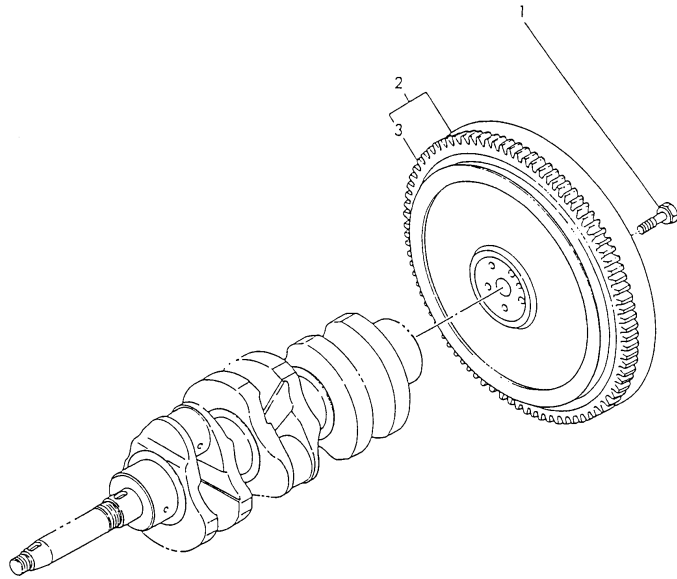
# Fig.59. FLYWHEEL

(A)=3T84HLE-TBS  
(B)=3T84HTLE-TB  
(C)=

(D)=  
(E)=  
(F)=

No.	Lev.	Parts No.	Description	Q'ty						I	R
				(A)	(B)	(C)	(D)	(E)	(F)		
1	1	105225-21500	BOLT, FLYWHEEL		5						
2	1	171020-21590	FLYWHEEL ASSY		1						
3	2	129350-21600	GEAR, RING		1						

SPEC. CODE  
U71016-21310



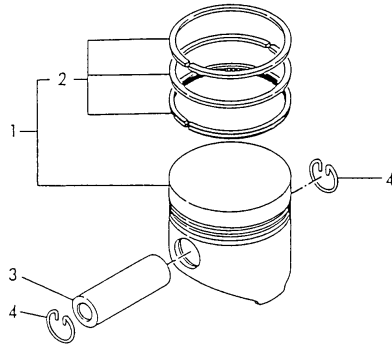
# Fig.60. PISTON

(A)=3T84HLE-TBS  
 (B)=3T84HTLE-TB  
 (C)=

(D)=  
 (E)=  
 (F)=

No.	Lev.	Parts No.	Description	Q'ty						I	R
				(A)	(B)	(C)	(D)	(E)	(F)		
1	1	129322-22090	PISTON ASSY		3						
2	2	729322-22500	RING SET, PISTON		3						
3	1	103338-22300	PIN, PISTON		3						
4	1	121100-22400	CIRCLIP		6						

SPEC. CODE  
 D29322-22100



# Fig.61. CONNECTING ROD

(A)=3T84HLE-TBS  
 (B)=3T84HTLE-TB  
 (C)=

(D)=  
 (E)=  
 (F)=

No.	Lev.	Parts No.	Description	Q'ty						I	R
				(A)	(B)	(C)	(D)	(E)	(F)		
1	1	729322-23100	ROD ASSY, CONNECTING		3						
2	2	129350-23100	BEARING, PISTON PIN		3						
3	2	104500-23201	BOLT, CONNECTING ROD		6						
4	2	729322-23600	BEARING, CRANK PIN		3						

SPEC. CODE  
 D29322-23100

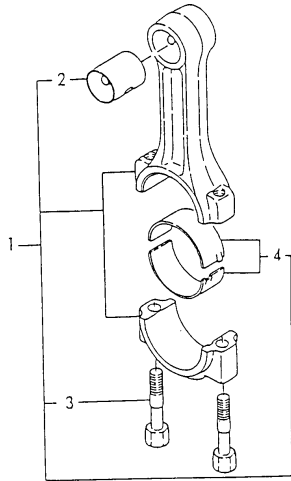
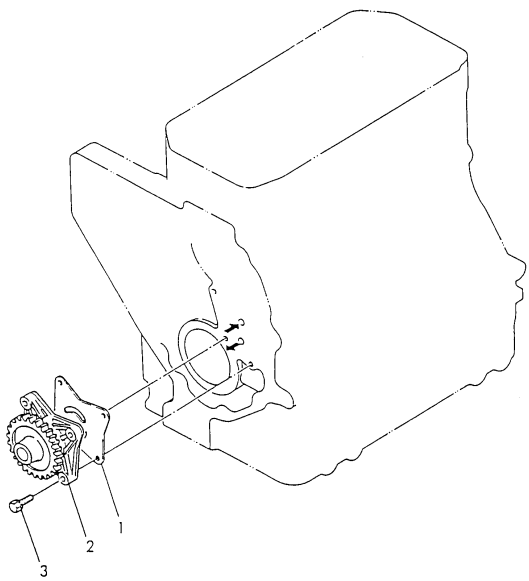


Fig.62. LUB. OIL PUMP

(A)=3T84HLE-TBS  
 (B)=3T84HTLE-TB  
 (C)=  
 (D)=  
 (E)=  
 (F)=

No.	Lev.	Parts No.	Description	Q'ty						I	R	
				(A)	(B)	(C)	(D)	(E)	(F)			
1	1	121450-32021	GASKET, PUMP		1							\$
2	1	129322-32090	PUMP ASSY, OIL		1							
3	1	26013-060222	BOLT, M6X 22		3							

SPEC. CODE  
 D29322-32100

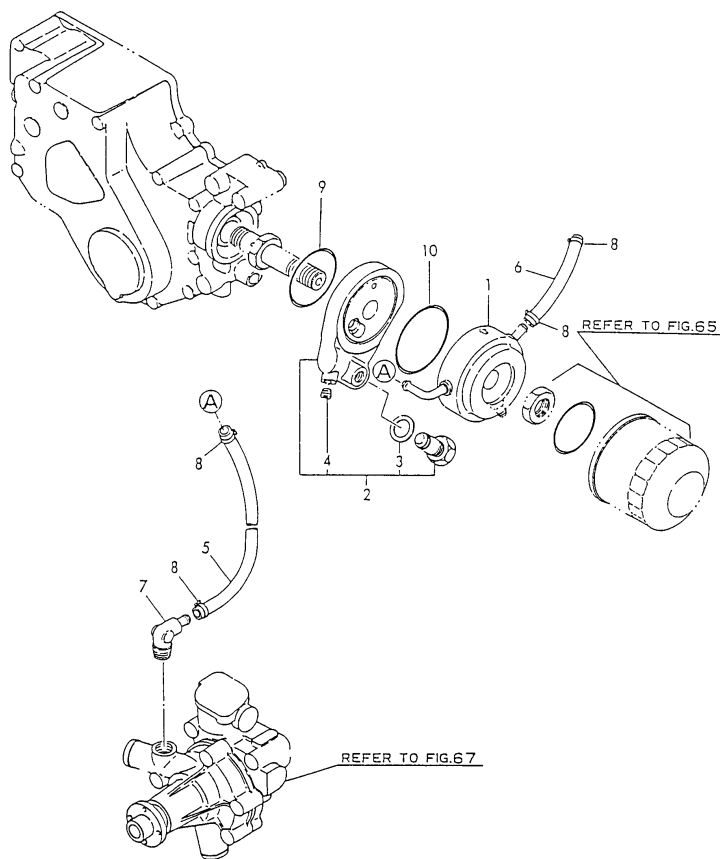


Remarks  
 (\$) THESE PARTS ARE SOLD BY FIG.84,  
 REF.NO.1,1-1,1-2.

Fig.63. LUB.OIL COOLER

(A)=3T84HLE-TBS  
 (B)=3T84HTLE-TB  
 (C)=  
 (D)=  
 (E)=  
 (F)=

SPEC. CODE  
 U71007-33100



No.	Lev.	Parts No.	Description	Q'ty						I	R	
				(A)	(B)	(C)	(D)	(E)	(F)			
1	1	171007-33030	COOLER, OIL		1							
1-1	1	171007-33031	COOLER, OIL		1							R
(B=E02240)												
2	1	171007-35100	BRACKET ASSY		1							
3	2	23414-180000	GASKET, 18X1.0		1							
4	2	23871-010000	PLUG, R01		1							
5	1	121250-49160	PIPE, WATER DRAIN		1							
6	1	121520-49160	PIPE, WATER DRAIN		1							
7	1	171007-49400	JOINT		1							
8	1	124766-59050	CLIP, HOSE 12		4							
9	1	24321-000600	O-RING, 1AG60.0		1							
10	1	24321-000700	O-RING, 1AG70.0		1							

Fig.64. LUB.OIL DIPSTICK

(A)=3T84HLE-TBS  
 (B)=3T84HTLE-TB  
 (C)=

(D)=  
 (E)=  
 (F)=

No.	Lev.	Parts No.	Description	Q'ty						I	R
				(A)	(B)	(C)	(D)	(E)	(F)		
1	1	129322-34800	DIPSTICK, OIL		1						
2	1	121520-34810	GUIDE, DIPSTICK		1						

SPEC. CODE  
 029322-34110

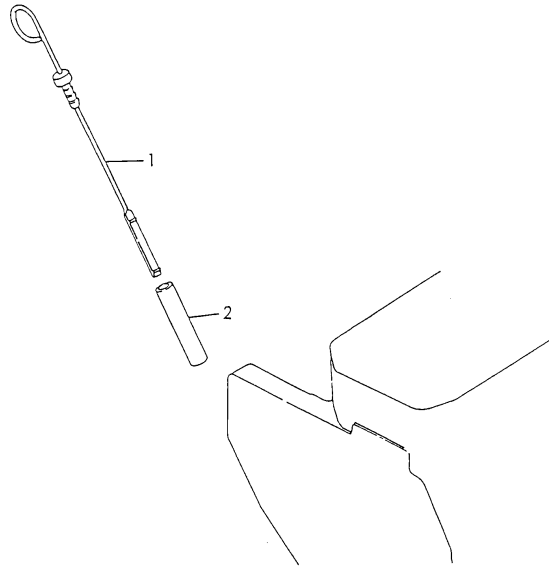




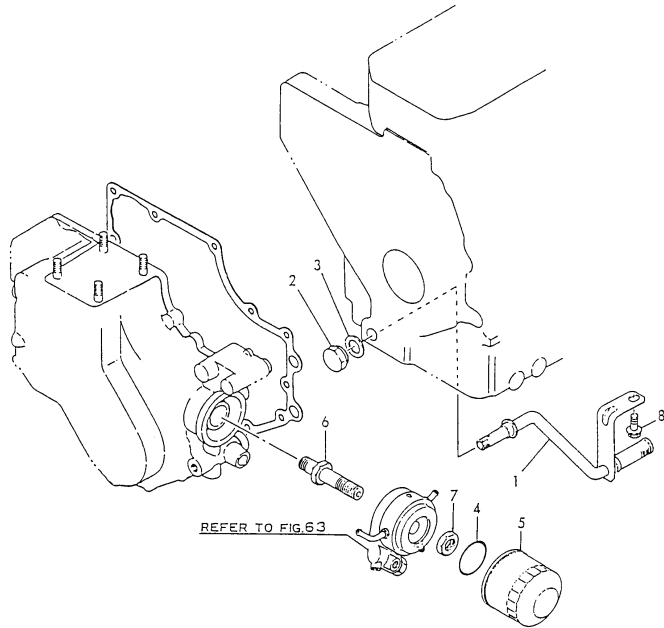
Fig.65. LUB. OIL STRAINER

(A)=3T84HLE-TBS  
 (B)=3T84HTLE-TB  
 (C)=

(D)=  
 (E)=  
 (F)=

No.	Lev.	Parts No.	Description	Q'ty						I	R
				(A)	(B)	(C)	(D)	(E)	(F)		
1	1	129300-35091	PIPE ASSY, OIL INLET		1						
2	1	121550-35100	NUT, CAP PF1/4		1						
3	1	121550-35110	GASKET, 18		1						
4	1	124450-35110	O-RING		1						\$
5	1	129150-35150	FILTER 90X80L		1						
6	1	171007-35301	VALVE		1						
7	1	124085-35350	NUT, M20		1						
8	1	26106-060102	BOLT, M6X 10 PLATED		1						

SPEC. CODE  
 D39322-35110



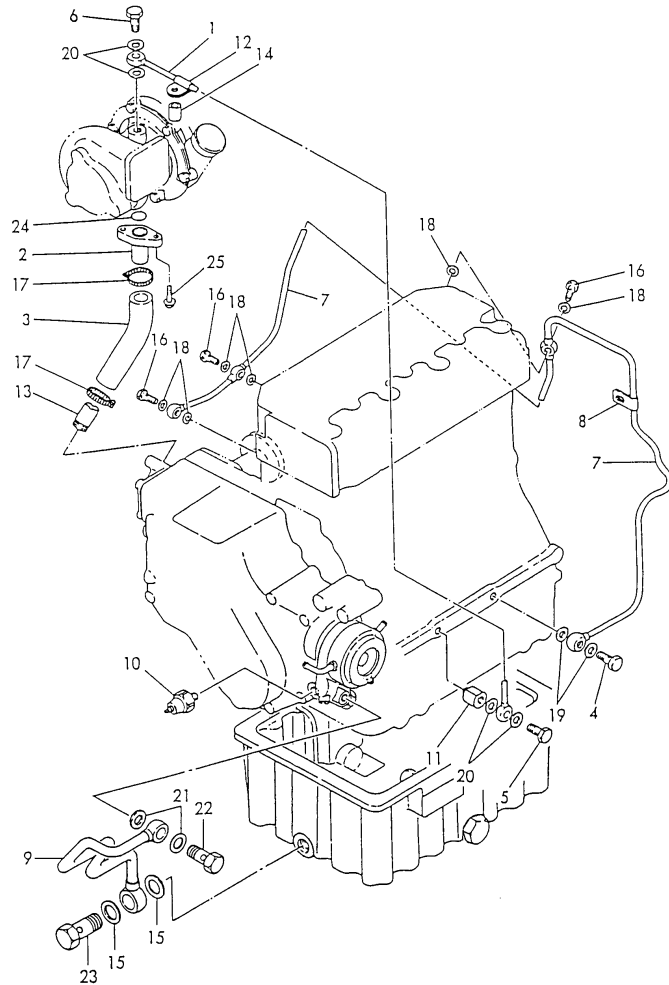
Remarks  
 (\$) THESE PARTS ARE SOLD BY FIG.84,  
 REF.NO.1,1-1,1-2.

Fig.66. LUB. OIL LINE

(A)=3T84HLE-TBS  
 (B)=3T84HTLE-TB  
 (C)=

(D)=  
 (E)=  
 (F)=

SPEC. CODE  
 D29322-39120



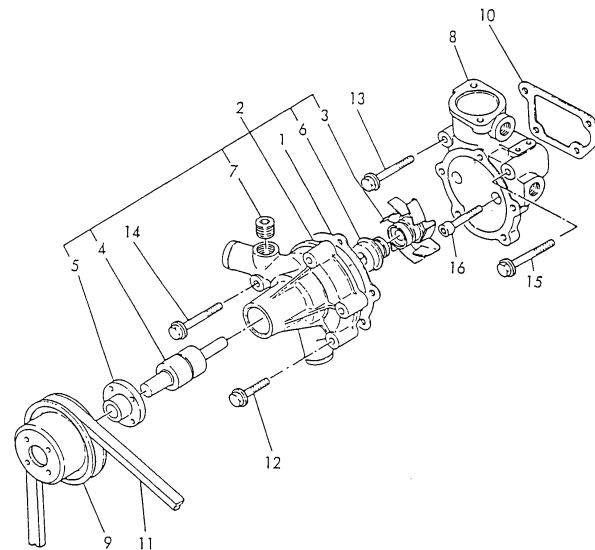
No.	Lev.	Parts No.	Description	Qty						I	R
				(A)	(B)	(C)	(D)	(E)	(F)		
1	1	129322-39030	PIPE ASSY, OIL		1						
2	1	129322-39050	PIPE, OIL		1						
3	1	129322-39060	PIPE, OIL		1						
4	1	124160-39140	BOLT, PIPE JOINT M10		1						
5	1	124160-39140	BOLT, PIPE JOINT M10		1						
6	1	121252-39150	BOLT, JOINT M10X1.5		1						
7	1	129350-39200	PIPE ASSY, OIL		1						
8	1	124450-39240	RETAINER, PIPE		1						
9	1	129322-39400	PIPE ASSY		1						
10	1	124160-39450	SWITCH, 0.5KG		1						
11	1	129322-39550	JOINT, PIPE		1						
12	1	124223-39900	RETAINER		1						
13	1	104407-44480	JOINT		1						
14	1	121400-44630	SPACER		1						
15	1	124465-44950	GASKET, 16		2						
16	1	124550-59820	BOLT, PIPE JOINT M8		3						
17	1	23000-025000	CLAMP, 25		2						
18	1	23414-080000	GASKET, 8X1.0		6						
19	1	23414-100000	GASKET, 10X1.0		2						
20	1	23414-100000	GASKET, 10X1.0		4						
21	1	23414-120000	GASKET, 12X1.0		2						
22	1	23857-060000	BOLT, JOINT 6		1						
22-1	1	103854-39140 (B=E02015)	BOLT, PIPE JOINT		1						N
23	1	23857-100000	BOLT, JOINT 10		1						
23-1	1	129322-35070 (B=E01938)	BOLT, PIPE JOINT M10		1						N
24	1	24314-000180	O-RING, 4CP18.0		1						
25	1	26106-060222	BOLT, M6X 22 PLATED		2						

# Fig.67. COOLING WATER PUMP

(A)=3T84HLE-TBS  
 (B)=3T84HTLE-TB  
 (C)=

(D)=  
 (E)=  
 (F)=

SPEC. CODE  
 D29331-42110



No.	Lev.	Parts No.	Description	Q'ty						I	R
				(A)	(B)	(C)	(D)	(E)	(F)		
1	1	129327-42051	GASKET, WATER PUMP		1						\$
2	1	129327-42100	PUMP ASSY, WATER		1						
3	2	121252-42200	IMPELLER		1						
3-1	2	120130-43140 (B=E02760)	IMPELLER		1						N
4	2	121252-42240	BEARING, SHAFT		1						
5	2	121252-42260	FLANGE		1						
6	2	121450-42310	SEAL, MECHANICAL		1						
7	2	23871-030000	PLUG, R03		1						
8	1	129327-42120	BRACKET, PUMP		1						
9	1	129331-42250	V-PULLEY		1						
10	1	121450-44410	GASKET		1						\$
11	1	171022-44960	V-BELT, A35		1						
11-1	1	121522-42290 (B=E02610)	V-BELT, A34.5		1						N
12	1	26106-080402	BOLT, M8X 40 PLATED		4						
13	1	26106-080552	BOLT, M8X 55 PLATED		1						
14	1	26106-080602	BOLT, M8X 60 PLATED		1						
15	1	26106-080852	BOLT, M8X 85 PLATED		1						
16	1	26450-080452	BOLT, M8X 45		2						

Remarks

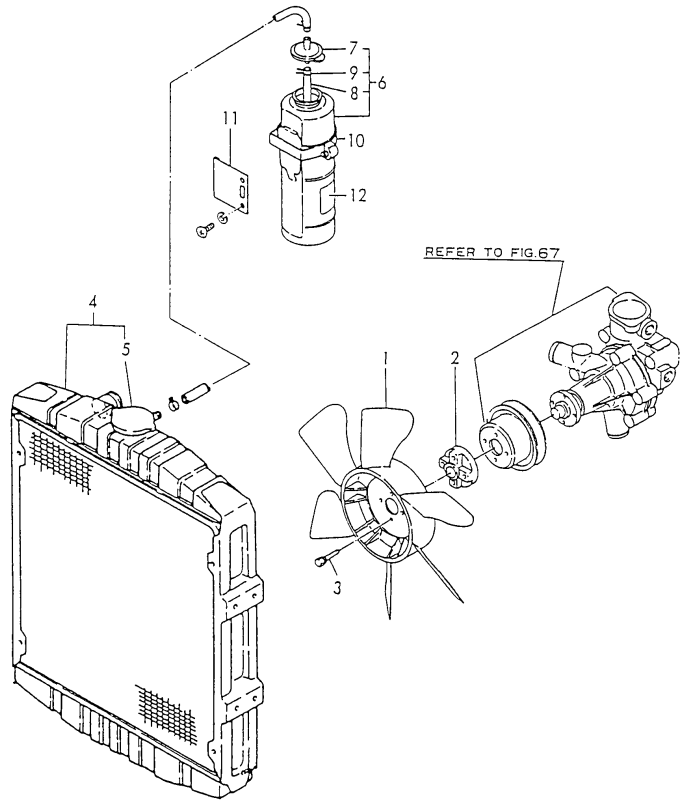
(\$) THESE PARTS ARE SOLD BY FIG.84,  
 REF.NO.1,1-1,1-2.

Fig.68. COOLING WATER FAN & RADIATOR

(A)=3T84HLE-TBS  
 (B)=3T84HTLE-TB  
 (C)=

(D)=  
 (E)=  
 (F)=

SPEC. CODE  
 D29322-44410



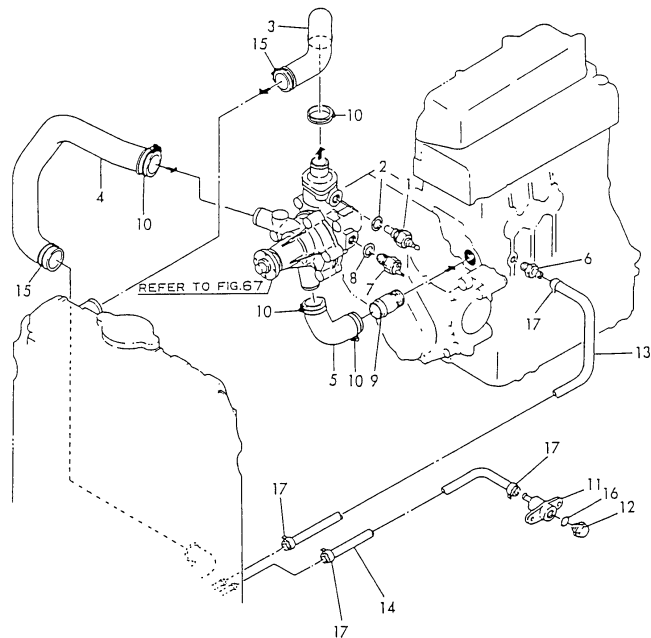
No.	Lev.	Parts No.	Description	Q'ty						I	R
				(A)	(B)	(C)	(D)	(E)	(F)		
1	1	171440-44740	FAN, COOLING D350XQF		1						
2	1	121267-44760	SPACER		1						
3	1	26014-060352	BOLT, M6X 35		4						
4	1	171016-44510	RADIATOR		1						
5	2	123682-44210	CAP, RADIATOR		1						
6	1	171064-44510	TANK ASSY, SUB		1						
7	2	171064-44530	CAP		1						
7-1	2	121450-44531 (B=E02398)	CAP		1						N
8	2	23065-070225	HOSE 7X 225		1						
9	2	124450-44560	RETAINER		1						
10	1	124450-44550	BAND		1						
11	1	121256-44600	BRACKET, SUB TANK		1						
12	1	124764-44810	LABEL, SUB TANK		1						

Fig.69. COOLING WATER LINE

(A)=3T84HLE-TBS  
 (B)=3T84HTLE-TB  
 (C)=

(D)=  
 (E)=  
 (F)=

SPEC. CODE  
 U71064-49100



No.	Lev.	Parts No.	Description	Qty						I	R
				(A)	(B)	(C)	(D)	(E)	(F)		
1	1	121250-44901	SWITCH, 110		1						
2	1	124465-44950	GASKET, 16		1						
3	1	171064-49010	PIPE, WATER		1						
4	1	171064-49020	PIPE, WATER		1						
5	1	129301-49030	PIPE, WATER		1						
6	1	121550-49111	JOINT, PT1/4		1						
7	1	124250-49351	SENSOR		1						
8	1	124250-49360	GASKET		1						
9	1	124160-49480	JOINT, PIPE		1						
10	1	23010-038000	CLAMP, 38		4						
11	1	121521-49100	BODY ASSY, COCK		1						
12	1	121250-49121	PLUG, DRAIN		1						
13	1	124738-49150	PIPE, DRAIN L=300		1						
14	1	124766-49160	PIPE, WATER DRAIN		1						
15	1	23010-038000	CLAMP, 38		2						
16	1	24311-000160	O-RING, 1AP16.0		1						\$
17	1	124766-59050	CLIP, HOSE 12		4						

Remarks  
 (\$) THESE PARTS ARE SOLD BY FIG.84,  
 REF.NO.1,1-1,1-2.

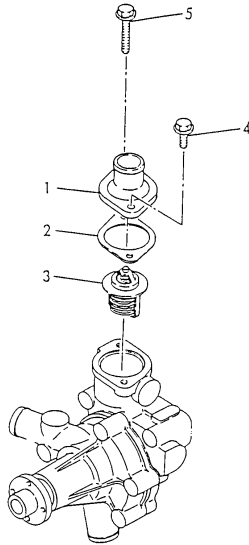
Fig.70. THERMOSTAT

(A)=3T84HLE-TBS  
 (B)=3T84HTLE-TB  
 (C)=

(D)=  
 (E)=  
 (F)=

No.	Lev.	Parts No.	Description	Q'ty						I	R
				(A)	(B)	(C)	(D)	(E)	(F)		
1	1	129350-49530	COVER, THERMOSTAT		1						
2	1	129350-49540	GASKET		1						\$
2-1	1	129350-49541	GASKET		1						R \$
			(B=E02970)								
3	1	129350-49800	THERMOSTAT, 71		1						
4	1	26106-080182	BOLT, M8X 18 PLATED		1						
5	1	26106-080402	BOLT, M8X 40 PLATED		1						

SPEC. CODE  
 D29322-49200



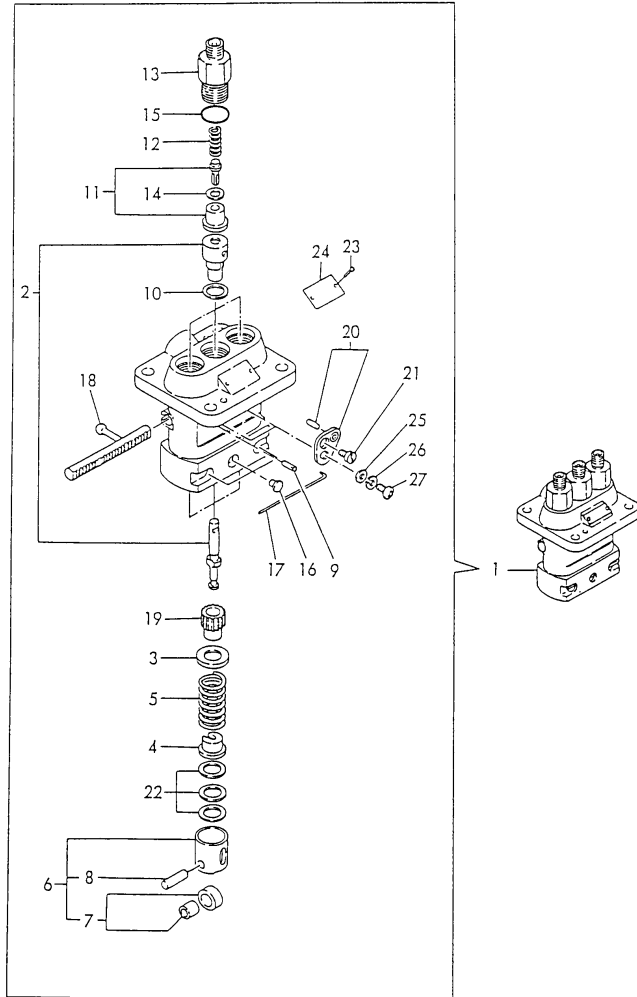
Remarks  
 (\$) THESE PARTS ARE SOLD BY FIG.84,  
 REF.NO.1,1-1,1-2.

# Fig.71. FUEL INJECTION PUMP

(A)=3T84HLE-TBS  
(B)=3T84HTLE-TB  
(C)=

(D)=  
(E)=  
(F)=

SPEC. CODE  
021550-51100



No.	Lev.	Parts No.	Description	Qty						I	R	
				(A)	(B)	(C)	(D)	(E)	(F)			
1	1	721550-51700	PUMP ASSY, INJECTION		1							
2	2	121550-51100	PLUNGER ASSY		3							
3	2	174307-51170	RETAINER, SPRING A		3							
4	2	174307-51181	RETAINER, SPRING B		3							
5	2	124950-51190	SPRING, PLUNGER		3							
6	2	724550-51520	GUIDE, PLUNGER		3							
7	3	711100-51540	ROLLER ASSY		3							
8	3	174100-54120	PIN		3							
9	2	103854-51251	PIN, PLUNGER		1							
10	2	124950-51270	GASKET		3							
11	2	124060-51300	VALVE ASSY, DELIVERY		3							
12	2	124550-51320	SPRING, DELIVERY		3							
13	2	124550-51341	HOLDER, DELIVERY L43		3							
14	2	124550-51350	GASKET, DELIVERY		3							
15	2	124550-51370	O-RING		3							
16	2	124950-51450	PIECE, GUIDE		3							
17	2	121150-51460	PIN, GUIDE		1							
18	2	121450-51500	RACK, CONTROL		1							
19	2	124950-51510	PINION		3							
20	2	124950-51640	PLATE ASSY, ADJUST		2							
21	2	103854-51660	SCREW		2							
22	2	174307-51700	SHIM SET		3							
23	2	124220-51890	RIVET		2							
24	2	121550-51920	LABEL, FUEL I. PUMP		1							
25	2	22117-050000	WASHER, 5		2							Z
		(B=EXXX)										
26	2	22217-050000	WASHER, SPRING 5		2							Z
		(B=EXXX)										
27	2	26587-050102	SCREW, M5X10		2							
27-1	2	26033-050102	SCREW, M5X10		2							N
		(B=EXXX)										

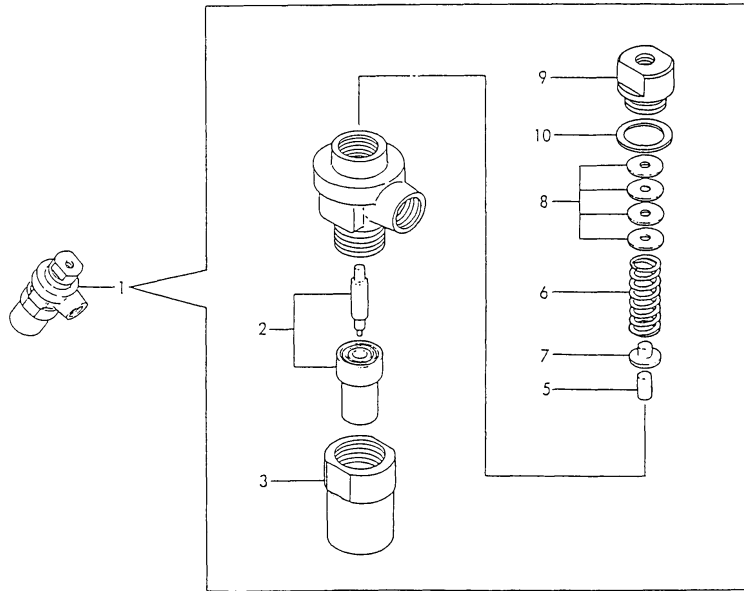
Fig.72. FUEL INJECTION VALVE

(A)=3T84HLE-TBS  
 (B)=3T84HTLE-TB  
 (C)=

(D)=  
 (E)=  
 (F)=

No.	Lev.	Parts No.	Description	Q'ty						I	R
				(A)	(B)	(C)	(D)	(E)	(F)		
1	1	729331-53100	VALVE ASSY,INJECTION		3						
2	2	124770-53000	VALVE ASSY,INJECTION		3						
3	2	129331-53080	NUT, NOZZLE		3						
5	2	113200-53110	SPINDLE, INTER		3						
6	2	104211-53120	SPRING, NOZZLE		3						
7	2	113200-53120	RETAINER, SPRING		3						
8	2	110250-53150	PLATE ASSY, ADJUST		3						
9	2	103854-53180	RETAINER, SPRING		3						
10	2	172100-53200	GASKET		3						

SPEC. CODE  
 D29331-53100



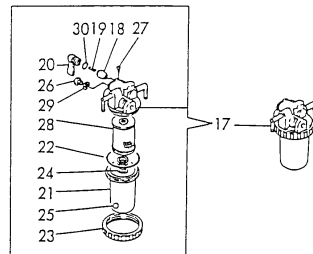
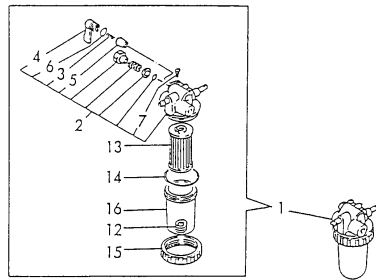


# Fig.73. FUEL STRAINER

(A)=3T84HLE-TBS  
(B)=3T84HTLE-TB  
(C)=

(D)=  
(E)=  
(F)=

SPEC. CODE  
D29322-93110



No.	Lev.	Parts No.	Description	Qty						I	R	
				(A)	(B)	(C)	(D)	(E)	(F)			
1	1	129350-55600	FILTER ASSY, FUEL		1							
2	2	729350-55540	BODY ASSY, STRAINER		1							
3	3	104200-55330	SPRING, VALVE		1							
4	3	104200-55341	HANDLE		1							
5	3	104200-55321	VALVE, TAPER		1							
6	3	24311-240100	O-RING, 1AP10A		1							
7	3	104200-55750	SCREW, M4		1							
12	2	121250-55620	SPRING		1							
13	2	124550-55700	FILTER, FUEL L=90		1							
14	2	102103-55520	O-RING		1							\$
15	2	110250-55610	RING, RETAINING		1							
16	2	121254-55510	COVER		1							
17	1	129335-55700	SEPARATOR ASSY,WATER		1							
18	2	104200-55321	VALVE, TAPER		1							
19	2	104200-55330	SPRING, VALVE		1							
20	2	104200-55341	HANDLE		1							
21	2	124064-55510	COVER		1							
22	2	102103-55520	O-RING		1							\$
23	2	110250-55610	RING, RETAINING		1							
24	2	121257-55720	SPRING		1							
25	2	121257-55731	FLOAT		1							
26	2	101720-55750	PLUG, 6		2							
27	2	104200-55750	SCREW, M4		1							
28	2	171081-55910	SCREEN		1							
29	2	23418-060000	GASKET, 6X1.0		2							
30	2	24311-240100	O-RING, 1AP10A		1							

Remarks

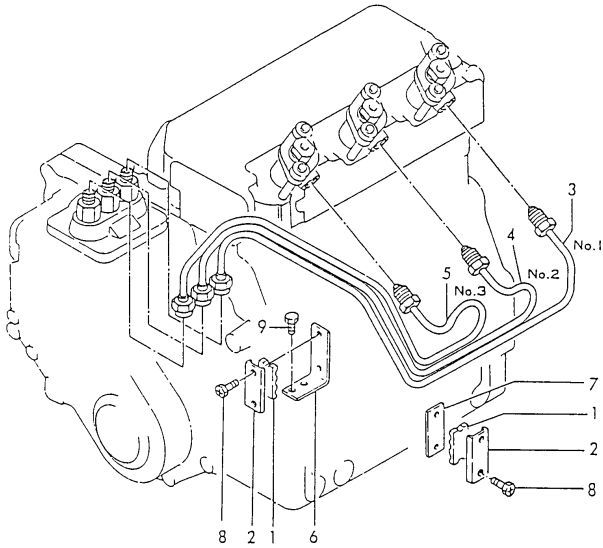
(\$) THESE PARTS ARE SOLD BY FIG.84,  
REF.NO.1,1-1,1-2.

Fig.74. FUEL INJECTION LINE

(A)=3T84HLE-TBS  
 (B)=3T84HTLE-TB  
 (C)=

(D)=  
 (E)=  
 (F)=

SPEC. CODE  
 029350-59100



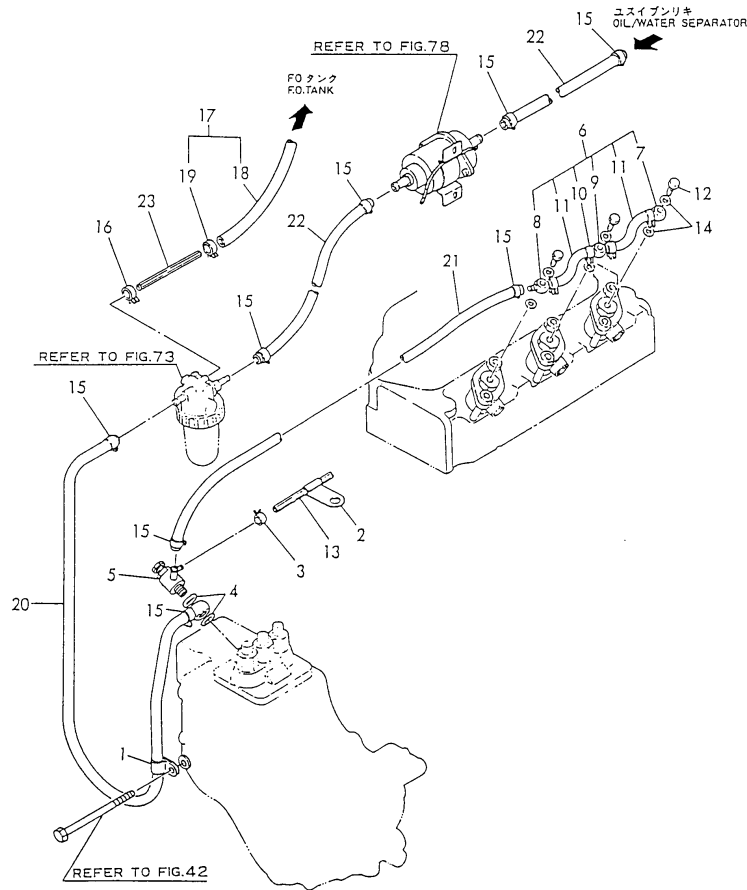
No.	Lev.	Parts No.	Description	Q'ty						I	R
				(A)	(B)	(C)	(D)	(E)	(F)		
1	1	123325-59100	RETAINER, PIPE		2						
2	1	123325-59110	COVER		2						
3	1	129350-59810	PIPE ASSY, INJECTION		1						
4	1	129350-59820	PIPE ASSY, INJECTION		1						
5	1	129350-59830	PIPE ASSY, INJECTION		1						
6	1	121450-59850	BRACKET		1						
7	1	121250-59860	BRACKET		1						
8	1	121465-59950	BOLT, M6X16		4						
9	1	26116-060102	BOLT, M6X 10 PLATED		2						

# Fig.75. FUEL LINE

(A)=3T84HLE-TBS  
 (B)=3T84HTLE-TB  
 (C)=

(D)=  
 (E)=  
 (F)=

SPEC. CODE  
 D29322-59200



No.	Lev.	Parts No.	Description	Q'ty						I	R	
				(A)	(B)	(C)	(D)	(E)	(F)			
1	1	124160-01650	CLAMP, PIPE		1							
2	1	106500-44610	RETAINER		1							
3	1	124066-59100	CLIP, HOSE 8		1							
4	1	104200-59170	GASKET, 12		1							
5	1	129155-59190	BOLT ASSY, JOINT		1							
5-1	1	129155-59191	BOLT ASSY, JOINT		1							N
(B=E03112)												
6	1	129331-59500	PIPE ASSY, RETURN		1							
7	2	124550-59030	JOINT, PIPE 8		1							
8	2	121750-59090	JOINT, PIPE 8		1							
9	2	124550-59090	JOINT, PIPE 8		1							
10	2	124066-59100	CLIP, HOSE 8		4							
11	2	129350-59550	PIPE, FUEL D8X90		2							
12	1	101147-59810	BOLT, PIPE JOINT M8		3							
13	1	23061-060350	PIPE, 6X 350		1							
13-1	1	23061-060500	PIPE, 6X 500		1							N
(B=E01977)												
14	1	23414-080012	GASKET, 8X1.0		6							
15	1	124766-59050	CLIP, HOSE 12		8							
16	1	124066-59100	CLIP, HOSE 8		1							
17	1	105225-59130	PIPE ASSY, RETURN		1							
18	2	105225-59180	PIPE, FUEL RETURN		1							
19	2	124060-77680	CLIP, HOSE 10		1							
20	1	105425-59512	PIPE, FUEL		1							
21	1	121576-59570	PIPE, FUEL L=2650		1							
22	1	105025-59580	PIPE, FUEL		2							
23	1	23061-060350	PIPE, 6X 350		1							
23-1	1	23061-060500	PIPE, 6X 500		1							N
(B=E01977)												

Fig.76. GOVERNOR DRIVING

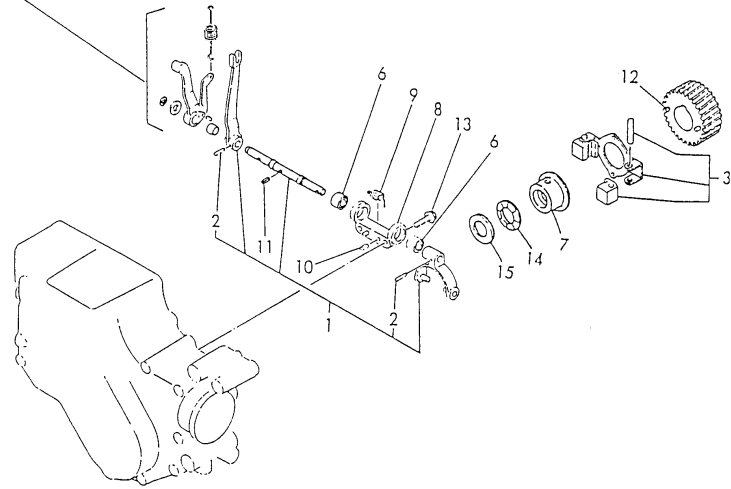
(A)=3T84HLE-TBS  
 (B)=3T84HTLE-TB  
 (C)=

(D)=  
 (E)=  
 (F)=

No.	Lev.	Parts No.	Description	Q'ty						I	R
				(A)	(B)	(C)	(D)	(E)	(F)		
1	1	121450-61001	LEVER ASSY, GOVERNOR		1						
2	2	22322-030180	PIN, TAPER 3X18		2						
3	1	129322-61101	WEIGHT ASSY,GOVERNOR		1						
6	1	121520-61520	BEARING, NEEDLE		2						
7	1	129350-61600	SLEEVE, GOVERNOR		1						
7-1	1	129335-61600	SLEEVE, GOVERNOR		1						N
(B=E02433)											
8	1	121520-61620	SUPPORT		1						
9	1	121450-61631	SPRING		1						
10	1	22312-040080	PIN, PARALLEL M4X 8		2						
11	1	22351-030010	PIN, SPRING 3.0X10		1						
12	1	22351-040008	PIN, SPRING 4.0X 8		2						
13	1	26106-060222	BOLT, M6X 22 PLATED		2						
14	1	121575-61710	BEARING, FNTA-2542		1						W
(B=E02433)											
15	1	121575-61720	COLLAR		1						W
(B=E02433)											

SPEC. CODE  
 D29322-61110

REFER TO FIG.77

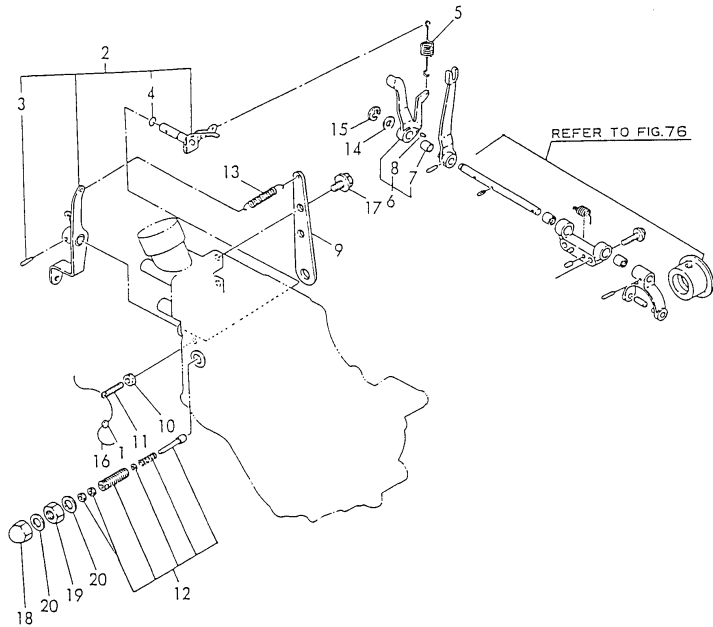


# Fig.77. CONTROL DEVICE

(A)=3T84HLE-TBS  
 (B)=3T84HTLE-TB  
 (C)=

(D)=  
 (E)=  
 (F)=

SPEC. CODE  
 029322-66120



No.	Lev.	Parts No.	Description	Q'ty						I	R
				(A)	(B)	(C)	(D)	(E)	(F)		
1	1	135210-61090	LEAD		1						
2	1	129327-66000	HANDLE ASSY		1						
2-1	1	129327-66001	HANDLE ASSY		1						N
				(B=E18131)							
3	2	22322-030200	PIN, TAPER 3X20		1						
4	2	24311-000070	O-RING, 1AP7.0		1						
5	1	129350-66010	SPRING, REGULATOR		1						
5-1	1	129335-66010	SPRING, REGULATOR		1						N
				(B=E18131)							
6	1	121450-66180	LEVER ASSY		1						
7	2	121450-66170	BUSH		1						
8	2	22312-030080	PIN, PARALLEL M3X 8		1						
9	1	129327-66200	SUPPORT, WIRE		1						
10	1	124550-66370	NUT, M6		1						
11	1	121454-66420	ADJUSTER		1						
12	1	121567-66551	LIMITER ASSY, FUEL		1						
13	1	104104-67300	SPRING, RETURN		1						
14	1	22117-080000	WASHER, 8		1						
15	1	22272-000060	RING, E- 6		1						
16	1	22451-060000	WIRE, 0.6		1						
17	1	26106-080102	BOLT, M8X 10 PLATED		2						
18	1	26687-120002	NUT, CAP M12		1						
19	1	26776-120002	NUT, LOCK M12		1						
20	1	43400-500450	SEAL WASHER 12S		2						

Fig.78. ELECTRIC PARTS

(A)=3T84HLE-TBS  
 (B)=3T84HTLE-TB  
 (C)=

(D)=  
 (E)=  
 (F)=

No.	Lev.	Parts No.	Description	Q'ty						I	R
				(A)	(B)	(C)	(D)	(E)	(F)		
1	1	124950-55900	PIECE, DISTANCE		1						
2	1	124950-55900	PIECE, DISTANCE		1						
3	1	121254-77010	STARTER, S13-41		1						
3-1	1	121254-77011 (B=E01938)	STARTER, S13-41A		1						N
3-2	1	121254-77012 (B=E03112)	STARTING MOTOR(DC12V		1						N
4	1	124080-77201	GENERATOR, LR135-91		1						
5	1	121521-77330	ADJUSTER		1						
6	1	22137-080000	WASHER, 8		1						
7	1	22217-080000	WASHER, SPRING 8		1						
8	1	26014-080252	BOLT, M8X 25		1						
9	1	26106-081202	BOLT, M8X120 PLATED		1						
10	1	26716-080002	NUT, M8		1						
11	1	171051-77100	RELAY, SAFETY		1						
12	1	129322-77400	PUMP ASSY, FUEL FEED		1						
12-1	1	129322-77401 (B=E02281)	PUMP ASSY, FUEL FEED		1						N
13	1	124060-77680	CLIP, HOSE 10		2						
14	1	933110-00100 (B=EXXX)	SWITCH ASSY, STARTER		1						Z
15	2	933110-00301 (B=EXXX)	KEY ASSY		1						Z

SPEC. CODE  
 029327-77110

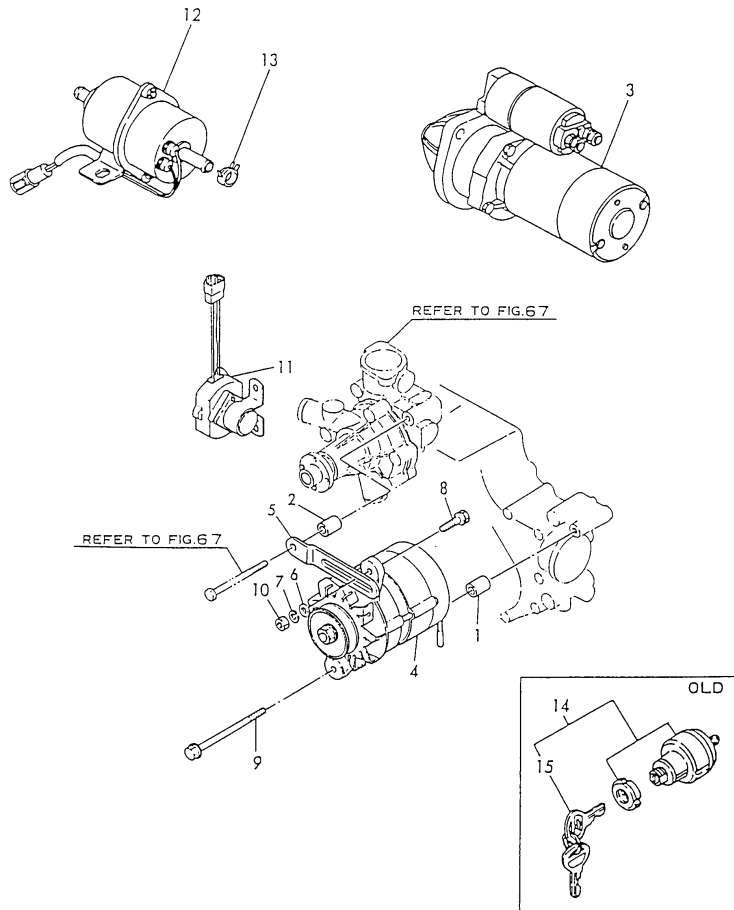


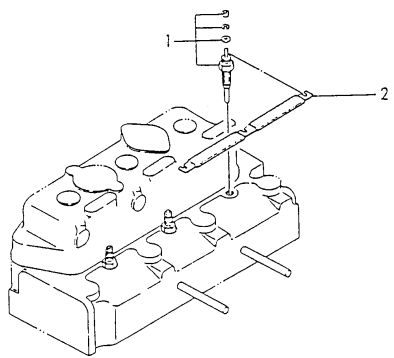
Fig.79. GLOW PLUG

(A)=3T84HLE-TBS  
 (B)=3T84HTLE-TB  
 (C)=

(D)=  
 (E)=  
 (F)=

No.	Lev.	Parts No.	Description	Q'ty						I	R
				(A)	(B)	(C)	(D)	(E)	(F)		
1	1	129331-77800	PLUG, GLOW		3						
2	1	129331-77810	CONNECTOR, GLOW PLUG		1						

SPEC. CODE  
 U71062-77300



# Fig.80. TOOL

(A)=3T84HLE-TBS  
 (B)=3T84HTLE-TB  
 (C)=

(D)=  
 (E)=  
 (F)=

No.	Lev.	Parts No.	Description	Q'ty						I	R
				(A)	(B)	(C)	(D)	(E)	(F)		
1	1	104200-92350	DRIVER, SCREW		1						
2	1	171301-92750	WRENCH, L.O. FILTER		1						
3	1	28110-100120	SPANNER, 10X12		1						
4	1	28110-140170	SPANNER, 14X17		1						
5	1	28110-190220	SPANNER, 19X22		1						

SPEC. CODE  
 D79372-93110

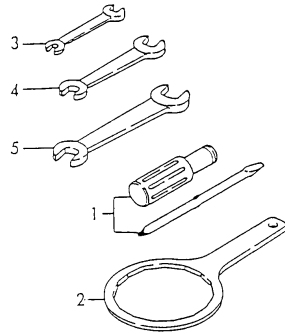
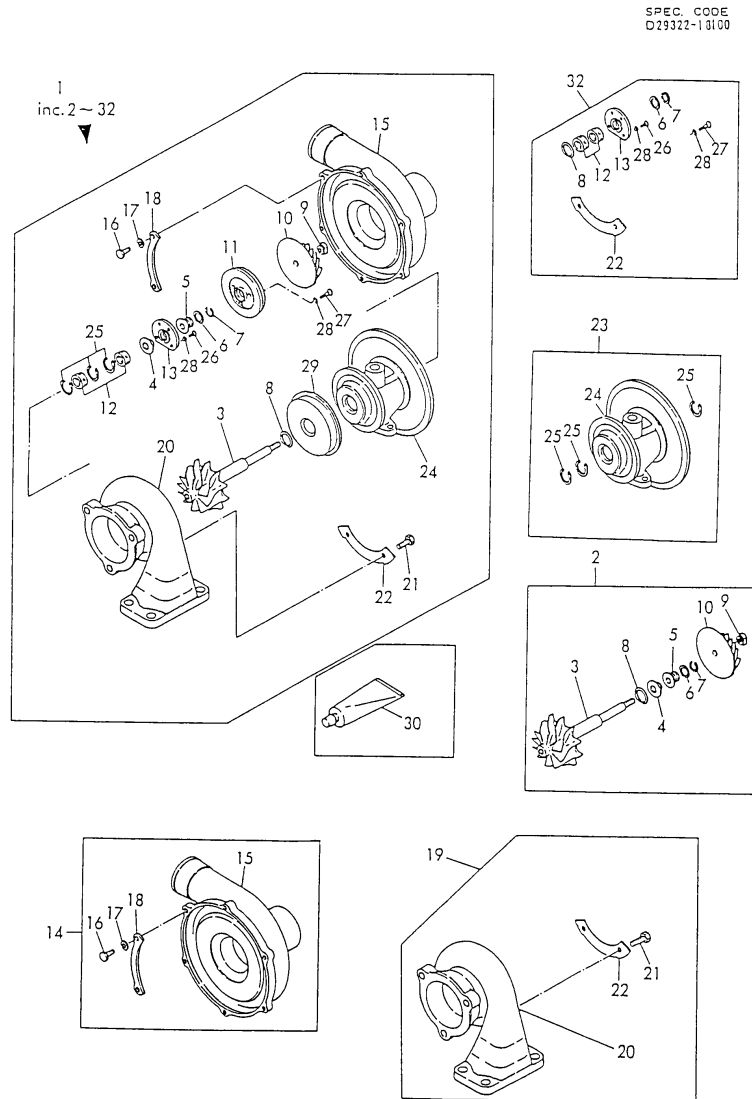




Fig.81. TURBOCHARGER(COMPONENT PARTS)

(A)=3T84HLE-TBS  
 (B)=3T84HTLE-TB  
 (C)=

(D)=  
 (E)=  
 (F)=



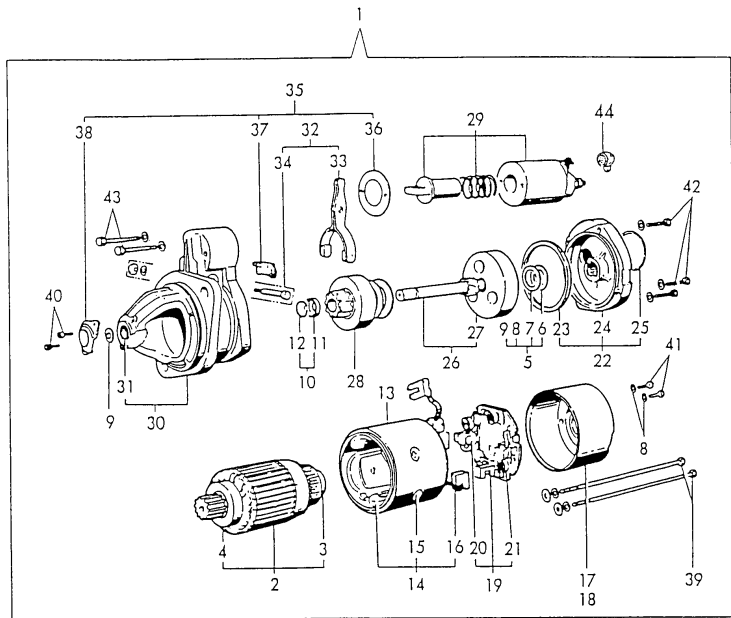
No.	Lev.	Parts No.	Description	Q'ty						I	R
				(A)	(B)	(C)	(D)	(E)	(F)		
1	1	129322-18010	TURBINE, RHB51		1						
2	2	XN139807	ROTOR PARTS SET		1						
3	3	XN131002	SHAFT, TURBINE		1						
4	3	XN131005	BUSH, THRUST		1						
5	3	XN131004	SHELTER		1						
6	3	XN971008	RING, SEAL (C-SIDE)		1						
7	3	XN131006	RING, SEAL		1						
8	3	XN131106	RING, SEAL		1						
9	3	XN131108	NUT		1						
10	3	XN136102	WHEEL, BLOWER		1						
11	2	XN133001	PLATE, SEAL		1						
12	2	XN133504	METAL, FLOATING		2						
13	2	XN133505	BEARING, THRUST		1						
14	2	XN134370	HOUSING SET, BLOWER		1						
15	3	XN134372	HOUSING, BLOWER		1						
16	3	XN194003	BOLT M 5		6						
17	3	XN817511	WASHER		6						
18	3	XN134205	PLATE		3						
19	2	XN137990	HOUSING SET, TURBINE		1						
20	3	XN137992	HOUSING, TURBINE		1						
21	3	XN196103	BOLT M 6		4						
22	3	XN138005	WASHER		2						
23	2	XN139802	HOUSING SET, BEARING		1						
24	3	XN133302	HOUSING, BEARING		1						
25	3	XN133204	CIRCLIP		3						
26	2	XN977006	SCREW 3		4						
27	2	XN133207	SCREW M3		3						
28	2	XN977007	WASHER M 3		7						
29	2	XN138903	PLATE, INSULATION		1						
30	2	XN193653	GASKET, LIQUID		1						
31	2	XN924505	INSULATOR		1						
32	2	XN139800	REPAIR SET		1						

Fig.82. STARTING MOTOR COMPONENT PARTS

(A)=3T84HLE-TBS  
 (B)=3T84HTLE-TB  
 (C)=

(D)=  
 (E)=  
 (F)=

SPEC. CODE  
 D29327-77110



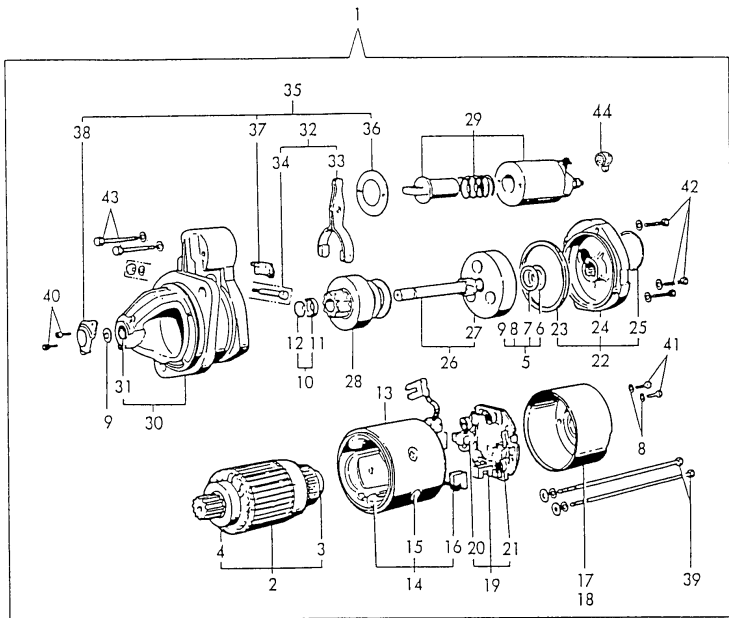
No.	Lev.	Parts No.	Description	Q'ty						I	R
				(A)	(B)	(C)	(D)	(E)	(F)		
1	1	121254-77010	STARTER, S13-41		1						
1-1	1	121254-77011	STARTER, S13-41A (B=E01938)		1						N
1-2	1	121254-77012	STARTING MOTOR(DC12V (B=E03112)		1						N
2	2	121254-77400	ARMATURE ASSY		1						
2-1	2	121254-77401	ARMATURE ASSY (B=E03112)		1						N
3	3	121254-77410	BALL BEARING (B=E03112)		1						Z
4	3	121254-77420	BALL BEARING (B=E03112)		1						Z
5	2	121254-77430	WASHER KIT, THRUST		1						
6	3	121254-77440	WASHER, THRUST		1						
7	3	121254-77450	WASHER, THRUST		1						
8	3	121254-77460	WASHER, THRUST		1						
9	3	121254-77470	WASHER, THRUST		1						
10	2	121254-77480	STOPPER KIT, PINION		1						
11	3	121254-77490	STOPPER		1						
12	3	121254-77500	CLIP		1						
13	2	121254-77510	YORK ASSY		1						
14	2	121254-77520	COIL ASSY, FIELD		1						
15	3	121254-77530	SCREW, POLE CORE		4						
16	3	121254-77540	BRUSH(+)		2						
17	3	121254-77550	COVER ASSY, REAR		1						
18	3	121254-77560	BOLT		1						
19	2	121254-77570	HOLDER ASSY, BRUSH		1						
20	3	121254-77580	BRUSH (-)		2						
21	3	121254-77590	SPRING		4						
22	2	121254-77600	BEARING ASSY, CENTER		1						
23	3	121254-77610	SEAL, OIL		1						
23-1	3	119129-77210	SEAL, OIL (B=*1989.12)		1						N
24	3	121254-77620	BEARING, NEEDLE		1						
24-1	3	119129-77220	BEARING, NEEDLE (B=*1989.12)		1						N
25	3	121254-77630	O-RING (B=*1989.12)		1						Z
26	2	121254-77640	SHAFT ASSY, GEAR		1						
27	3	121254-77650	INNER		1						
28	2	121254-77660	PINION ASSY		1						
28-1	2	121254-77661	PINION ASSY (B=E01938)		1						N
29	2	121254-77670	SWITCH, MAGNETIC		1						
30	2	121254-77680	CASE ASSY, GEAR		1						
30-1	2	121254-77681	CASE ASSY, GEAR (B=E01938)		1						N
31	3	121254-77690	METAL, GEAR CASE		1						
32	2	121254-77700	LEVER SET, SHIFT		1						
33	3	121254-77710	LEVER, SHIFT		1						
34	3	121254-77720	PIN		1						

Fig.82. STARTING MOTOR COMPONENT PARTS

(A)=3T84HLE-TBS  
 (B)=3T84HTLE-TB  
 (C)=

(D)=  
 (E)=  
 (F)=

SPEC. CODE  
 D29327-77110



No.	Lev.	Parts No.	Description	Q'ty						I	R
				(A)	(B)	(C)	(D)	(E)	(F)		
35	2	121254-77730	DUST COVER SET		1						
36	3	121254-77740	COVER, DUST		1						
37	3	121254-77750	COVER, DUST		1						
38	3	121254-77760	COVER, DUST		1						
39	2	121254-77770	BOLT, THROUGH		2						
40	2	121254-77780	SCREW 5		2						
40-1	2	26450-050122	BOLT, M5X 12		2						N
		(B=E02564)									
41	2	121254-77790	SCREW 4		2						
42	2	26106-060302	BOLT, M6X 30 PLATED		3						
43	2	26106-060352	BOLT, M6X 35 PLATED		2						
43-1	2	26106-060452	BOLT, M6X 45 PLATED		2						N
		(B=E01938)									
44	2	121254-77810	COVER, TERMINAL		1						W
		(B=E01938)									

Fig.83. GENERATOR COMPONENT PARTS

(A)=3T84HLE-TBS  
 (B)=3T84HTLE-TB  
 (C)=

(D)=  
 (E)=  
 (F)=

No.	Lev.	Parts No.	Description	Q'ty						I	R
				(A)	(B)	(C)	(D)	(E)	(F)		
1	1	124080-77201	GENERATOR, LR135-91		1						
2	2	XL13511001	ROTAR ASSY		1						
3	3	X6201SD	BALL BEARING		1						
4	2	XL1356200	STATOR ASSY		1						
5	2	XL12053002	COVER ASSY, REAR		1						
6	3	XL12033011	COVER, REAR		1						
7	3	XL13513152	BRUSH REGULATOR(W/CO		1						
8	4	XL1354326	BRUSH, CARBON		1						
9	4	XL12013262	BRUSH		2						
10	4	XTR1Z63	REGULATOR		1						
11	4	XL13513134	BOLT M5		2						
12	3	XL13513203	DIODE ASSY		1						
13	3	XL1356360	WIRE ASSY		1						
14	2	XL1202401	COVER ASSY, FRONT		1						
15	3	XL13514041	RETAINER		1						
16	3	X6202BM	BALL BEARING 6202B		1						
17	3	XL12010001	SCREW KIT		1						
18	2	XL1201510	PULLEY ASSY		1						
19	2	XL1254801	BOLT, THROUGH		2						
20	2	XL1255801	BOLT, THROUGH		1						
21	2	XB495469B	NUT ASSY, PULLEY		1						

SPEC. CODE  
 029327-77110

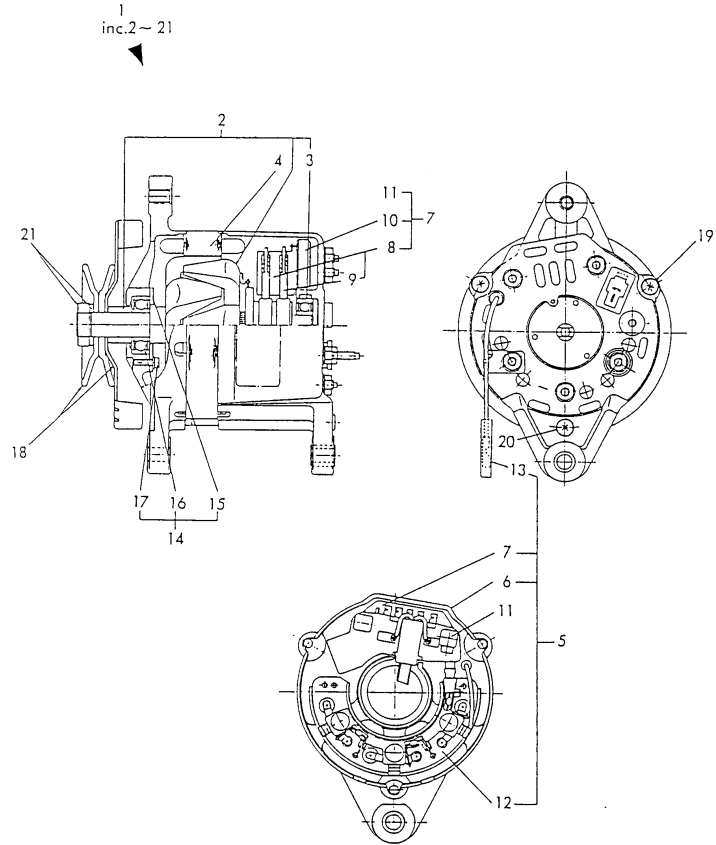
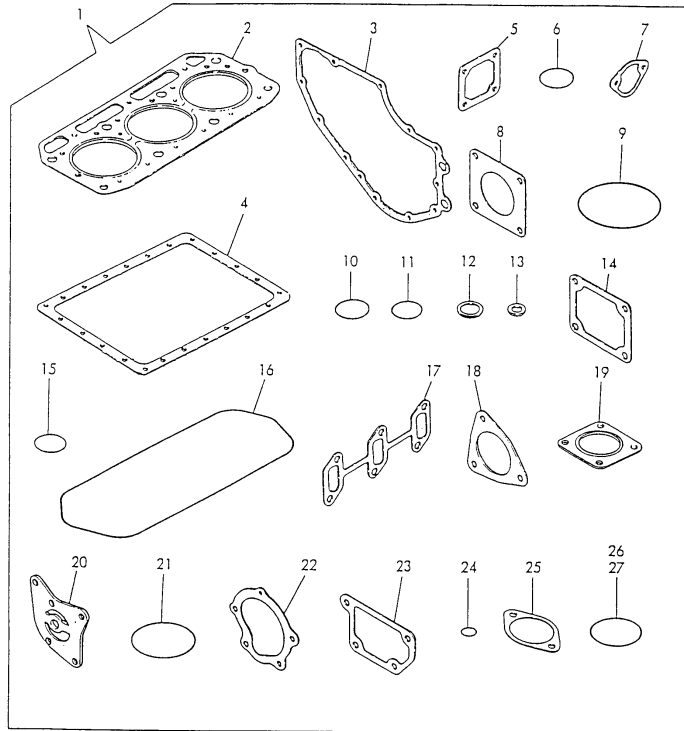


Fig.84. GASKET SET

(A)=3T84HLE-TBS  
 (B)=3T84HTLE-TB  
 (C)=

(D)=  
 (E)=  
 (F)=



No.	Lev.	Parts No.	Description	Q'ty						I	R
				(A)	(B)	(C)	(D)	(E)	(F)		
1	1	729322-92600	GASKET SET		1						1
1-1	1	729322-92601 (B=E02970)	GASKET SET		1						N 1
1-2	1	729322-92602 (B=EXXX)	GASKET SET		1						N 1
2	2	129322-01330	GASKET, HEAD		1						
3	2	121575-01510	GASKET, GEAR CASE		1						
3-1	2	121575-01511 (B=E03112)	GASKET, GEAR CASE		1						N
4	2	121575-01750	GASKET, OIL SUMP		1						
4-1	2	121575-01751 (B=E03112)	GASKET, OIL SUMP		1						N
5	2	121450-01531	GASKET		1						
6	2	121420-01760	O-RING		1						
6-1	2	24311-000320 (B=E03112)	O-RING, 1AP32.0		1						N
7	2	121520-01850	GASKET		1						
7-1	2	121520-01851 (B=E02970)	GASKET		1						R
8	2	124240-01882	GASKET		1						
8-1	2	124240-01883 (B=E02970)	GASKET		1						R
9	2	24341-001350	O-RING, 1AS135.0		1						
10	2	24341-000460	O-RING, 1AS46.0		1						
11	2	24341-000400	O-RING, 1AS40.0		1						
12	2	101704-11450	GASKET, CHAMBER		3						
13	2	124970-11490	INSULATOR		3						
14	2	121450-11680	GASKET		1						
14-1	1	121450-11681 (B=E03112)	GASKET		1						N
15	2	24321-000350	O-RING, 1AG35.0		1						
16	2	129322-11310	GASKET, BONNET		1						
17	2	129322-13520	GASKET		1						
18	2	129792-13520	GASKET		1						
19	2	129322-18100	GASKET		1						
20	2	121450-32021	GASKET, PUMP		1						
21	2	124450-35110	O-RING		1						
22	2	129327-42051	GASKET, WATER PUMP		1						
23	2	121450-44410	GASKET		1						
24	2	24311-000160	O-RING, 1AP16.0		1						
25	2	129350-49540	GASKET		1						
25-1	2	129350-49541 (B=E02970)	GASKET		1						N
26	2	102103-55520	O-RING		1						
27	2	102103-55520	O-RING		1						

Remarks  
 (1) OPTIONAL PART.

## Parts No. Index

Parts No.	Fig. No.	Ref. No.
101147-11900	10	34
	50	43
101147-59810	33	12
	75	12
101158-11230	10	29
		32
	50	38
101704-11450		41
	10	26
	40	17
	50	33
101720-55750	84	12
	31	24
	73	26
102103-55520	31	6
		20
	40	32
		33
	73	14
		22
	84	26
	27	
103338-11180	10	8
	50	9
103338-11190	10	9
	50	10
103338-22300	19	3
	60	3
103338-22400	19	4
103854-11490	10	27
	40	18
103854-39140	66	22 -1
103854-51251	29	22
	71	9
103854-51660	29	20
	71	21
103854-53120	30	6
103854-53180	30	9
	72	9
104104-67300	35	13
	77	13
104200-14200	16	5
	56	5
104200-55080	3	2
104200-55321	31	2
		16
	73	5
		18
104200-55330	31	3
		17

Parts No.	Fig. No.	Ref. No.
104200-55330	73	3
		19
104200-55341	31	4
		18
		4
	73	20
104200-55750	31	14 A
		25
		7
	73	27
104200-59170	33	4
	75	4
104200-92350	40	1
	80	1
		6
104211-53120	72	6
104407-44480	66	13
104500-23201	20	3
	61	3
104500-53080	30	3
104511-11120	10	5
	50	6
104511-11370	10	12
	50	13
105025-59510	33	16
105025-59580	33	19
	75	22
105225-11350	10	11
	50	12
105225-21500	18	1
	59	1
105225-59130	75	17
105225-59180	75	18
105230-59510	33	17
105425-59512	75	20
106500-44610	33	2
	75	2
110250-53150	30	8
	72	8
110250-55610	31	7
		21
	73	15
		23
113200-53110	30	5
	72	5
113200-53120	30	7
	72	7
119129-77210	37	23 -1
	82	23 -1
119129-77220	82	24 -1
119640-92750	40	2 -1

Parts No.	Fig. No.	Ref. No.
120130-11860	10	38
	50	7 A
	25	3 -1
120130-43140	67	3 -1
	10	2
	50	3
121000-11050	39	1
121023-77910	5	9
121085-01890	45	9
	60	4
121100-22400	39	2
121120-77920	29	16
121150-51460	71	17
	6	7 -1
121250-02070		11 -1
	46	6
		9
121250-03021	48	3 -1
121250-03030	48	8
121250-44901	27	1
	69	1
121250-49121	27	12
	69	12
121250-49160	63	5
121250-55620	31	8
	73	12
121250-59860	32	7
	74	7
121252-39150	66	6
121252-42200	25	3
	67	3
121252-42240	25	4
	67	4
121252-42260	25	5
	67	5
121254-55510	31	5
	73	16
121254-77010	36	3
	37	1
	78	3
	82	1
121254-77011	36	3 -1
	37	1 -1
	78	3 -1
	82	1 -1
121254-77012	36	3 -2
	37	1 -2
	78	3 -2
	82	1 -2
121254-77400	37	2

Parts No.	Fig. No.	Ref. No.
121254-77400	82	2
121254-77401	37	2 -1
	82	2 -1
121254-77410	37	3
	82	3
121254-77420	37	4
	82	4
121254-77430	37	5
	82	5
121254-77440	82	6
121254-77450	82	7
121254-77460	82	8
121254-77470	82	9
121254-77480	37	10
	82	10
121254-77490	82	11
121254-77500	82	12
121254-77510	82	13
121254-77520	37	14
	82	14
121254-77530	82	15
121254-77540	37	16
	82	16
121254-77550	37	17
	82	17
121254-77560	82	18
121254-77570	37	19
	82	19
121254-77580	37	20
	82	20
121254-77590	37	21
	82	21
121254-77600	37	22
	82	22
121254-77610	37	23
	82	23
121254-77620	82	24
121254-77630	37	25
	82	25
121254-77640	37	26
	82	26
121254-77650	82	27
121254-77660	37	28
	82	28
121254-77661	37	28 -1
	82	28 -1
121254-77670	37	29
	82	29
121254-77680	37	30
	82	30

## Parts No. Index

Parts No.	Fig. No.	Ref. No.
121254-77681	37	30 -1
	82	30 -1
121254-77690	37	31
	82	31
121254-77700	37	32
	82	32
121254-77710	82	33
121254-77720	82	34
121254-77730	37	35
	82	35
121254-77740	82	36
121254-77750	82	37
121254-77760	82	38
121254-77770	37	39
	82	39
121254-77780	37	40
	82	40
121254-77790	37	41
	82	41
121254-77810	37	42
	82	44
121256-44600	26	11
	68	11
121257-55720	31	22
	73	24
121257-55731	31	23
	73	25
121267-44760	26	2
	68	2
121400-01640	43	2
121400-44630	66	14
121420-01760	5	4
	40	11
	45	4
	84	6
121450-01220	1	5
	41	5
121450-01531	5	1
	40	10
	45	1
	84	5
121450-01560	2	3
	42	3
121450-01801	2	8
	42	7
121450-01951	2	9
	42	8
121450-01990	1	8
	41	9
121450-03012	8	2

Parts No.	Fig. No.	Ref. No.
121450-03012	48	2
121450-03020	8	3
	48	3
121450-03030	8	4
	48	4
121450-11260	10	20
	50	25
121450-11270	10	21
	50	26
121450-11550	50	20
121450-11680	12	3
	40	19
	50	48
	84	14
121450-11681	12	3 -1
	40	19 -1
	50	48 -1
	84	14 -1
121450-14090	16	2
	56	2
121450-14120	16	4
	56	4
121450-21541	17	6
	58	6
121450-32021	21	1
	40	26
	62	1
	84	20
121450-32050	21	3
121450-42310	25	6
	67	6
121450-44410	25	10
	40	29
	67	10
	84	23
121450-44531	68	7 -1
121450-51500	29	17
	71	18
121450-59850	32	6
	74	6
121450-61001	34	1
	76	1
121450-61101	34	3
121450-61631	34	7
	76	9
121450-66170	35	7
	77	7
121450-66180	35	6
	77	6
121454-66420	35	11

Parts No.	Fig. No.	Ref. No.
121454-66420	77	11
121456-91981	7	2
	47	2
121465-11950	10	35
	50	14
121465-13582	55	5
121465-13652	15	5
121465-59950	32	8
	74	8
121473-66550	35	12
121520-01850	5	5
	40	12
	45	5
	84	7
121520-01851	5	5 -1
	40	12 -1
	45	5 -1
	84	7 -1
121520-01860	5	6
	45	6
121520-34810	64	2
121520-49160	63	6
121520-61520	34	4
	76	6
121520-61620	34	6
	76	8
121521-11670	12	2
	50	47
121521-49100	27	11
	69	11
121521-77330	36	5
	78	5
121522-01600	4	1
	44	1
121522-42290	67	11 -1
121550-02110	6	2
121550-02220	6	15
121550-02300	6	12
121550-11280	10	22
	50	27
121550-11290	10	23
	50	28
121550-35100	23	2
	65	2
121550-35110	23	3
	65	3
121550-49111	27	6
	69	6
121550-51100	29	2
	71	2

Parts No.	Fig. No.	Ref. No.
121550-51920	71	24
121551-02220	6	3
	46	3
121567-66551	77	12
121575-01510	2	7
	40	8
	42	6
	84	3
121575-01511	2	7 -1
	40	8 -1
	42	6 -1
	84	3 -1
121575-01750	3	4
	40	9
		9 -1
	43	4
	84	4
121575-01751	3	4 -1
	43	4 -1
	84	4 -1
121575-07230	9	1
	49	1
121575-61710	34	12
	76	14
121575-61720	34	13
	76	15
121576-59570	33	18
	75	21
121750-59090	33	8
	75	8
121750-77800	39	6
121952-59560	39	3
		4
123325-59100	32	1
	74	1
123325-59110	32	2
	74	2
123682-44210	26	9
	68	5
124060-01050	1	2
	2	2
	41	2
	42	2
124060-51300	29	10
	71	11
124060-77680	39	8
	75	19
	78	13
124064-55510	31	19
	73	21

## Parts No. Index

Parts No.	Fig. No.	Ref. No.
124066-59100	33	3
		10
	75	3
124080-77201	36	10
		16
		4
		1
		4
124080-77300	38	1
		2 -1
124080-77310	38	2 A
124080-77320	38	4 -1
124080-77330	38	5 -1
124080-77340	38	6 -1
124080-77350	38	7 -1
124080-77360	38	8 -1
124080-77390	38	10 -1
124080-77400	38	12 -1
124080-77420	38	14 -1
124080-77430	38	15 -1
124080-77440	38	18 -1
124080-77450	38	19 -1
124080-77460	38	20 -1
124080-77470	38	21 -1
124080-77480	38	16 -1
124080-77490	38	3 -1
124080-77500	38	17 -1
124080-77520	38	11 -1
124080-77530	38	13 -1
124085-01900	1	6
	41	7
124085-35111	23	4 -1
124085-35300	23	6
124085-35350	23	7
	65	7
124160-01650	8	1
		33
		1
		48
124160-01751	5	1
		12
		1
124160-11360	11	3
		3
		46
124160-39140	24	1
		4
124160-39450	24	5
		4
	66	10

Parts No.	Fig. No.	Ref. No.
124160-49480	27	9
		9
124220-51890	71	23
124223-39900	66	12
124240-01871	5	7
		7
124240-01882	40	45
		7
		8
		13
		8
124240-01883	5	8 -1
		13 -1
		8 -1
124250-49351	27	8 -1
		7
124250-49360	27	7
		8
		8
124450-35110	23	5
		27
		4
		21
124450-39240	24	3
		8
124450-44510	26	4
124450-44530	26	5
124450-44550	26	10
124450-44560	26	10
		6
124460-11340	10	9
		10
124460-77820	39	11
		7
124465-44950	27	2
	66	15
	69	2
124550-01901	52	1
124550-35110	23	4
124550-35350	40	2
124550-51320	29	11
	71	12
124550-51341	29	12
		12
124550-51350	29	13
		13
124550-51370	29	14
		14
124550-55700	71	15
		9
124550-59030	31	9
		13
	73	13
	33	7

Parts No.	Fig. No.	Ref. No.
124550-59030	75	7
124550-59090	33	9
		9
124550-59820	24	5
		16
		16
124550-66370	35	10
		10
124550-77030	36	13
124701-11910	15	6
	40	25
124701-11911	15	6 -1
		25 -1
124722-49150	27	13
124738-49150	69	13
124764-44810	26	12
	68	12
124766-49160	69	14
124766-59050	27	14
	33	15
	63	8
	69	17
	75	15
124770-53000	30	2
	72	2
124950-01210	1	4
	41	4
124950-51190	29	5
	71	5
124950-51270	29	9
	71	10
124950-51450	29	15
	71	16
124950-51510	29	18
	71	19
124950-51640	29	19
	71	20
124950-55900	36	1
		2
	78	1
		2
124970-11460	50	35
124970-11470	50	32
124970-11490	50	36
	84	13
129150-11810	10	39
	50	8 A
129150-12510	13	2
	52	14
129150-12520	13	3
	52	15

Parts No.	Fig. No.	Ref. No.
129150-35150	65	5
129155-59190	33	5
		5
129155-59191	33	5 -1
		5 -1
		5 -1
129300-02300	46	11
		7
129300-21650	58	7
129300-35091	65	1
129301-02801	7	1
	47	1
129301-11300	11	1
	51	1
129301-49030	27	5
	69	5
129305-07950	9	2
		2
129322-01100	41	3
129322-01330	41	18
	84	2
129322-02100	41	15
129322-02110	46	2
129322-02140	46	5
		8
129322-02170	46	10
129322-11080	50	2
129322-11100	50	4
129322-11110	50	5
129322-11310	51	2
	84	16
129322-12051	52	2
129322-12061	52	3
129322-12080	52	10
129322-12090	52	11
129322-12100	52	12
129322-12201	52	4
129322-12211	52	5
129322-12700	53	1
129322-13520	15	1 -1
	40	24 -1
	55	4
	84	17
129322-13560	54	1
129322-13650	54	2
129322-13660	54	3
129322-18010	57	2
	81	1
129322-18100	57	3
	84	19
129322-18140	57	4
129322-18150	57	5



## Parts No. Index

Parts No.	Fig. No.	Ref. No.
129322-18200	57	6
129322-22090	60	1
129322-32090	62	2
129322-34800	64	1
129322-35070	66	23 -1
129322-39030	66	1
129322-39050	66	2
129322-39060	66	3
129322-39400	66	9
129322-39550	66	11
129322-61101	76	3
129322-77400	36	12
	78	12
129322-77401	36	12 -1
	78	12 -1
129327-01550	5	2
129327-12210	13	9
		9 -1
129327-13520	15	7
129327-13660	15	8
129327-42051	25	1
	40	28
	67	1
	84	22
129327-42100	25	2
	67	2
129327-42120	25	8
	67	8
129327-66000	35	2
	77	2
129327-66001	35	2 -1
	77	2 -1
129327-66200	35	9
	77	9
129331-11400	50	30
129331-11410	50	31
129331-11420	50	29
129331-11450	50	34
129331-42250	67	9
129331-53080	72	3
129331-59500	33	6
	75	6
129331-77800	79	1
129331-77810	79	2
129335-11300	51	1 -1
129335-21650	17	7
129335-42250	25	9
129335-55700	31	15
	73	17
129335-61600	34	5 -1

Parts No.	Fig. No.	Ref. No.
129335-61600	76	7 -1
129335-66010	77	5 -1
129335-77711	39	5
129350-01100	1	3
129350-01200	1	16
	41	17
129350-01230	1	18
	41	6
129350-01331	1	17
	40	7
129350-02050	6	6
	10	10
129350-02070	6	7
		11
129350-02100	1	14
129350-02310	1	19
129350-02330	6	16
129350-02350	6	17
129350-11100	10	3
129350-11110	10	4
129350-11240	10	18
	50	24
129350-11310	11	2
	40	21
129350-11400	10	24
129350-11410	10	25
129350-12710	14	2
	40	23
129350-13250	15	1
	40	24
129350-14010	16	1
	56	1
129350-14100	16	3
	56	3
129350-14400	16	6
	56	6
129350-21200	17	5
	58	5
129350-21600	18	3
	59	3
129350-23100	20	2
	61	2
129350-32090	21	2
129350-34800	22	1
129350-35090	23	1
129350-39200	24	2
	66	7
129350-49530	28	1
	70	1
129350-49540	28	2

Parts No.	Fig. No.	Ref. No.
129350-49540	40	31
	70	2
	84	25
129350-49541	28	2 -1
	40	31 -1
	70	2 -1
	84	25 -1
129350-49800	28	3
	70	3
129350-55600	31	1
	73	1
129350-59550	33	11
	75	11
129350-59810	32	3
	74	3
129350-59820	32	4
	74	4
129350-59830	32	5
	74	5
129350-61600	34	5
	76	7
129350-66010	35	5
	77	5
129367-22090	19	1
129403-12500	13	1
	52	13
129792-13520	57	1
	84	18
135210-61090	35	1
	77	1
171007-33030	63	1
171007-33031	63	1 -1
171007-35100	63	2
171007-35301	65	6
171007-49400	63	7
171016-44510	26	8
	68	4
171020-21590	18	2
	59	2
171022-44960	25	11
	67	11
171051-01921	1	7
	41	8
171051-77100	36	11
	78	11
171063-12700	14	1
171064-01550	45	2
171064-44510	68	6
171064-44530	68	7
171064-49010	27	3

Parts No.	Fig. No.	Ref. No.
171064-49010	69	3
171064-49020	27	4
	69	4
171081-55910	31	26
	73	28
171301-92750	80	2
171340-44740	26	1
171440-44740	68	1
172100-53200	30	10
	72	10
174100-54120	29	8
	71	8
174307-51170	29	3
	71	3
174307-51181	29	4
	71	4
174307-51700	29	21
	71	22
194990-22050	2	4
	5	10
	12	4
	15	4
	42	4
	45	10
	50	21
	55	2
22117-050000	29	23
	71	25
22117-080000	35	14
	77	14
22137-080000	36	6
	78	6
22137-100000	10	13
	50	15
22217-050000	29	24
	71	26
22217-080000	36	7
	57	7
	78	7
22242-000140	10	36
	50	44
22272-000060	35	15
	77	15
22312-030080	35	8
	77	8
22312-040080	34	8
	76	10
22312-080160	1	15
	2	5
	17	2

## Parts No. Index

Parts No.	Fig. No.	Ref. No.
22312-080160	41	16
	42	9
	58	2
22322-030180	34	2
	76	2
22322-030200	35	3
	77	3
22351-030010	34	9
	76	11
22351-040008	34	10
	76	12
22351-040010	2	6
	42	5
22351-060012	1	9
	41	10
22451-060000	35	16
	77	16
22512-070180	17	3
		4
	58	3
		4
22512-070300	16	7
	56	7
23000-025000	66	17
23000-054000	52	6
23000-060000	13	8
		8 -1
	52	7
		20
23000-070000	52	8
		21
23010-038000	27	10
	69	10
		15
23061-060350	33	13
	75	13
		23
23061-060500	33	13 -1
	75	13 -1
		23 -1
23061-070230	26	7
23065-070225	68	8
23065-130650	8	5
	48	5
23414-080000	7	3
	24	6
	47	3
	66	18
23414-080012	33	14
	75	14

Parts No.	Fig. No.	Ref. No.
23414-100000	24	7
	66	19
		20
23414-120000	66	21
23414-120016	1	10
	41	11
23414-180000	63	3
23418-060000	31	27
	73	29
23857-060000	66	22
23857-100000	66	23
23871-010000	63	4
23871-020000	10	14
	50	16
23871-030000	10	15
	12	5
	25	7
	50	17
		49
	67	7
23881-120002	1	11
	41	12
24101-062024	7	4
	47	4
24101-062054	7	5
	47	5
24101-063050	2	10
	42	10
24311-000070	35	4
	77	4
24311-000100	1	12
	41	13
24311-000120	11	4
	40	22
	51	4
24311-000160	27	15
	40	30
	69	16
	84	24
24311-000180	43	3
24311-000320	5	4 -1
	12	6
	40	11 -1
		20
	45	4 -1
	84	6 -1
24311-240100	31	14
		28
	73	6
		30

Parts No.	Fig. No.	Ref. No.
24314-000180	66	24
24321-000350	50	50
	84	15
24321-000600	63	9
24321-000700	63	10
24341-000400	8	6
	40	16
	48	6
	84	11
24341-000460	7	6
	40	15
	47	6
	84	10
24341-001350	6	13
	40	14
	46	12
	84	9
26013-060222	21	4
	62	3
26013-080162	57	8
26013-080202	6	14
	46	13
26013-080222	57	9
26014-060202	43	5
26014-060352	26	3
	68	3
26014-080252	36	8
	78	8
26033-050102	29	25 -1
	71	27 -1
26106-060082	3	5
26106-060102	65	8
26106-060142	45	11
26106-060222	34	11
	66	25
	76	13
26106-060302	37	43
	82	42
26106-060352	82	43
26106-060402	5	11
26106-060452	37	44
	82	43 -1
26106-060552	45	12
26106-060652	5	12
	45	13
26106-080102	35	17
	77	17
26106-080122	52	9
	54	4
26106-080162	8	7

Parts No.	Fig. No.	Ref. No.
26106-080162	48	7
26106-080182	28	4
	54	5
	70	4
26106-080202	12	7
	50	51
26106-080402	25	12
	67	12
	70	5
26106-080552	25	13
	67	13
26106-080602	25	14
	67	14
26106-080752	2	11
	42	11
26106-080852	2	12
	25	15
	42	12
	67	15
26106-080902	42	13
26106-081152	2	13
	42	14
26106-081202	36	9
	78	9
26116-060102	32	9
	74	9
26116-080702	57	10
26206-100252	4	2
	44	2
26216-080202	55	3
26216-080222	5	13
	15	3
	45	14
26216-080652	10	16
	12	8
	50	18
26216-080702	12	9
26216-080902	50	22
26216-120252	4	3
	44	3
26366-080002	12	10
	50	23
26450-050122	37	40 -1
	82	40 -1
26450-080452	25	16
	67	16
26587-050102	29	25
	71	27
26587-080102	2	14
	7	7

## Parts No. Index

Parts No.	Fig. No.	Ref. No.
26587-080102	42	15
	47	7
26587-080122	7	7 -1
	47	7 -1
26687-120002	35	18
	77	18
26696-100002	10	17
	50	19
26716-080002	36	10
	78	10
26716-120002	4	4
	44	4
26756-080002	10	30
		33
	50	39
		42
26776-120002	35	19
	77	19
26776-180002	17	8
	58	8
26921-080102	10	37
	50	45
27241-300000	1	13
	41	14
27310-080001	50	10 -1
28110-100120	40	3
	80	3
28110-140170	40	4
	80	4
28110-190220	40	5
	80	5
43400-500450	3	3
	35	20
	77	20
704571-53100	30	1
711100-51540	29	7
	71	7
721550-02500	6	1
721550-51700	29	1
	71	1
724060-23600	20	4
724064-23610	20	5
724550-51520	29	6
	71	6
729300-01540	43	1
729322-01560	41	1
729322-02500	46	1
729322-02610	46	4
729322-02620	46	7
729322-11700	50	1

Parts No.	Fig. No.	Ref. No.
729322-13500	55	1
729322-22500	60	2
729322-23100	61	1
729322-23600	61	4
729322-92600	84	1
729322-92601	84	1 -1
729322-92602	84	1 -2
729327-11700	10	1
729327-13500	15	2
729327-92610	40	6
729327-92611	40	6 -1
729327-92612	40	6 -2
729327-92613	40	6 -3
729331-53100	72	1
729335-01612	2	1
	42	1
729350-01540	3	1
729350-01560	1	1
729350-02610	6	4 -1
729350-02611	6	4
729350-02620	6	8 -1
729350-02621	6	8
729350-02800	6	5
729350-02810	6	9
729350-11650	10	28
	50	37
729350-11660	10	31
	50	40
729350-21700	17	1
	58	1
729350-22500	19	2
729350-22501	19	2 -1
729350-23100	20	1
729350-55540	73	2
933110-00100	78	14
933110-00301	78	15
X6201SD	38	3
	83	3
X6202BM	38	16
	83	16
XB495469B	38	21
	83	21
XL12010001	38	17
	83	17
XL12013262	38	9
	83	9
XL1201510	38	18
	83	18
XL1202401	38	14
	83	14

Parts No.	Fig. No.	Ref. No.
XL12033011	38	6
	83	6
XL12053002	38	5
	83	5
XL1254801	38	19
	83	19
XL1255801	38	20
	83	20
XL13511001	38	2
	83	2
XL13513134	38	11
	83	11
XL13513152	38	7
	83	7
XL13513203	38	12
	83	12
XL13514041	38	15
	83	15
XL1354326	38	8
	83	8
XL1356200	38	4
	83	4
XL1356360	38	13
	83	13
XN131002	81	3
XN131004	81	5
XN131005	81	4
XN131006	81	7
XN131106	81	8
XN131108	81	9
XN133001	81	11
XN133204	81	25
XN133207	81	27
XN133302	81	24
XN133504	81	12
XN133505	81	13
XN134205	81	18
XN134370	81	14
XN134372	81	15
XN136102	81	10
XN137990	81	19
XN137992	81	20
XN138005	81	22
XN138903	81	29
XN139800	81	32
XN139802	81	23
XN139807	81	2
XN193653	81	30
XN194003	81	16
XN196103	81	21

Parts No.	Fig. No.	Ref. No.
XN817511	81	17
XN924505	81	31
XN971008	81	6
XN977006	81	26
XN977007	81	28
XNAC100051	13	6
	52	18
XTR1Z63	38	10
	83	10
XWAD065005	13	7
	52	19
XX75129003	13	4
	52	16
XX75180110	13	5
	52	17