

0CC50-M00820EN

P R E F A C E

This parts catalog is the 1st edition of L100W6CA1T8CDCL for COLTRI AMERICAS.

Published : November, 2015

Contents

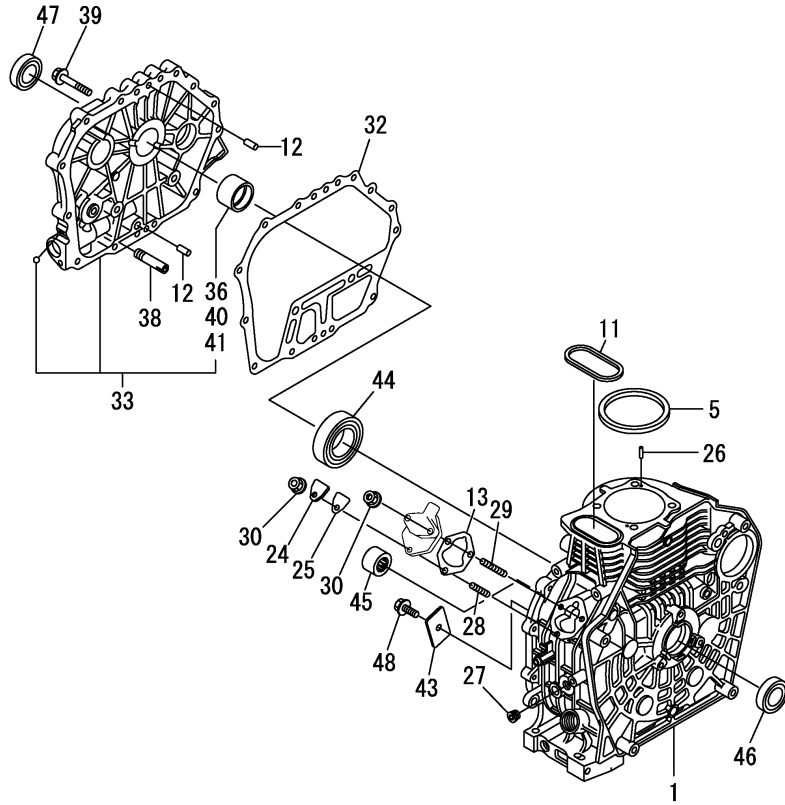
OCC50-M00820

Fig. No.	Fig. Name	Fig. No.	Fig. Name
ENGINE			
1.	CYLINDER BLOCK		
2.	DRAIN PLUG		
3.	LABEL		
4.	CYLINDER HEAD & BONNET		
5.	AIR CLEANER		
6.	EXHAUST MUFFLER		
7.	CAMSHAFT		
8.	CRANKSHAFT		
9.	FLYWHEEL		
10.	PISTON & CONNECTING ROD		
11.	BALANCER SHAFT		
12.	LUB. OIL PUMP & GOVERNOR		
13.	SWITCH CAP(OIL PRESSURE)		
14.	COVER		
15.	COOLING FAN CASE		
16.	FUEL INJECTION PUMP & FUEL INJECTION VALVE		
17.	FUEL TANK & FUEL PIPE		
18.	CONTROL DEVICE		
19.	RECOIL STARTER		
20.	STARTER MOTOR		
21.	ELECTRICAL EQUIPMENT		
22.	KEY SWITCH		
23.	DYNAMO		
24.	GASKET SET		

Fig.1. CYLINDER BLOCK

(A)=L100W6CA1T8CDCL
(B)=
(C)=

(D)=
(E)=
(F)=



No.	Lev.	Parts No.	Description	Q'ty						I	R
				(A)	(B)	(C)	(D)	(E)	(F)		
1	1	114310-01010	BLOCK ASSY, CYLINDER	1							
5	1	114695-01331	GASKET, HEAD	1							
11	1	114699-01380	O-RING	1							
12	1	114299-01600	PIN, 8X12	2							
13	1	114299-01800	SHIM SET	1							
24	1	114299-01830	COVER	1							
25	1	114250-01841	GASKET	1							
26	1	22312-040080	PIN, PARALLEL M4X 8	2							
27	1	23875-020000	PLUG, R02	1							
28	1	26226-060182	STUD, M6X 18	1							
29	1	26226-060222	STUD, M6X 22	2							
30	1	26366-060002	NUT, M6	3							
32	1	114699-01410	GASKET, CRANK CASE	1							
33	1	114310-01450	COVER(D, CRANK CASE	1							
36	2	114650-02100	BEARING, MAIN	1							1
38	1	114299-35150	PIPE, OIL INLET	1							
39	1	26106-080352	BOLT, M8X 35 PLATED	16							
40	1	114650-02200	BEARING, MAIN 0.25	1							2
41	1	114650-02210	BEARING, MAIN 0.50	1							3
43	1	114299-02030	RETAINER, BEARING	1							
44	1	114650-02150	BEARING, HR6308G3C3	1							
45	1	24162-152220	BEARING, 152220	1							
46	1	24423-355008	SEAL, OIL TC355008	1							
47	1	24423-355008	SEAL, OIL TC355008	1							
48	1	26106-080122	BOLT, M8X 12 PLATED	1							

Remarks

- (1) Spare parts.
- (2) Under-sized(U.S.=0.25) parts.
- (3) Under-sized(U.S.=0.50) parts.

(A)=L100W6CA1T8CDCL
 (B)=
 (C)=

(D)=
 (E)=
 (F)=

No.	Lev.	Parts No.	Description	Q'ty						I	R
				(A)	(B)	(C)	(D)	(E)	(F)		
1	1	114299-01690	PLUG M16	2							
2	1	114699-01760	CAP ASSY	2							
4	2	114299-01950	O-RING, 18	2							
5	1	22190-160002	WASHER, SEAL 16	2							

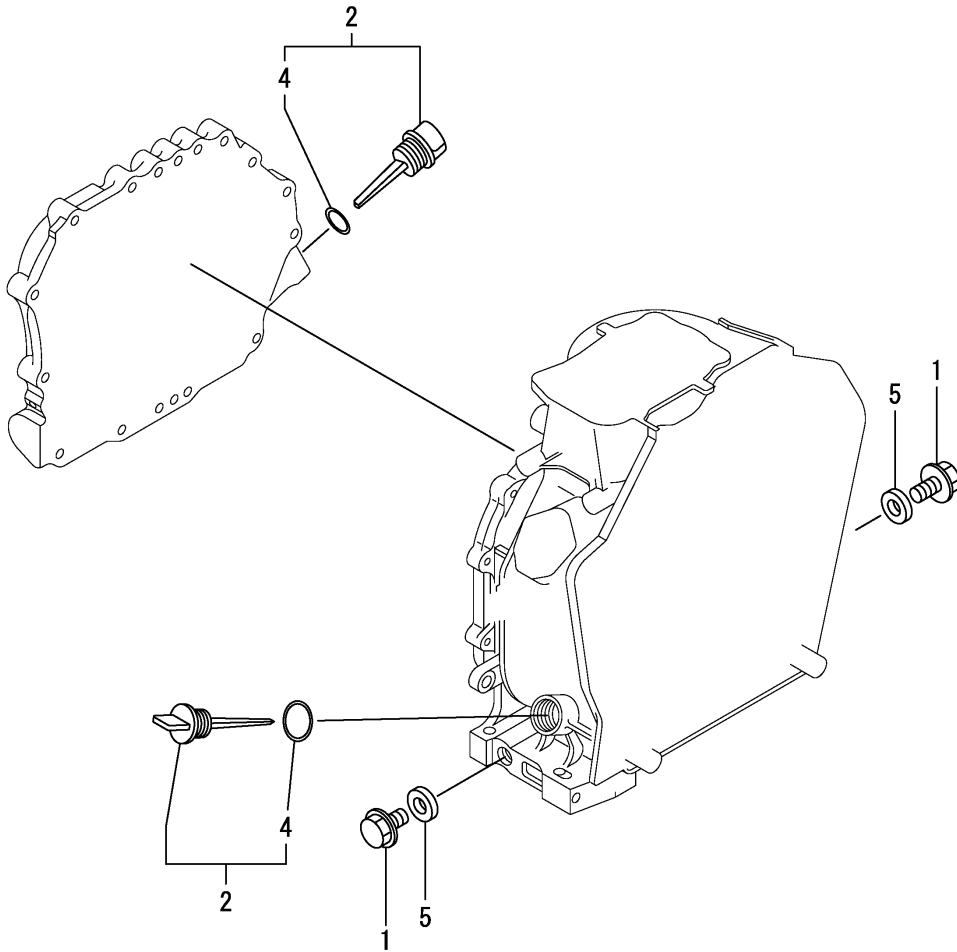
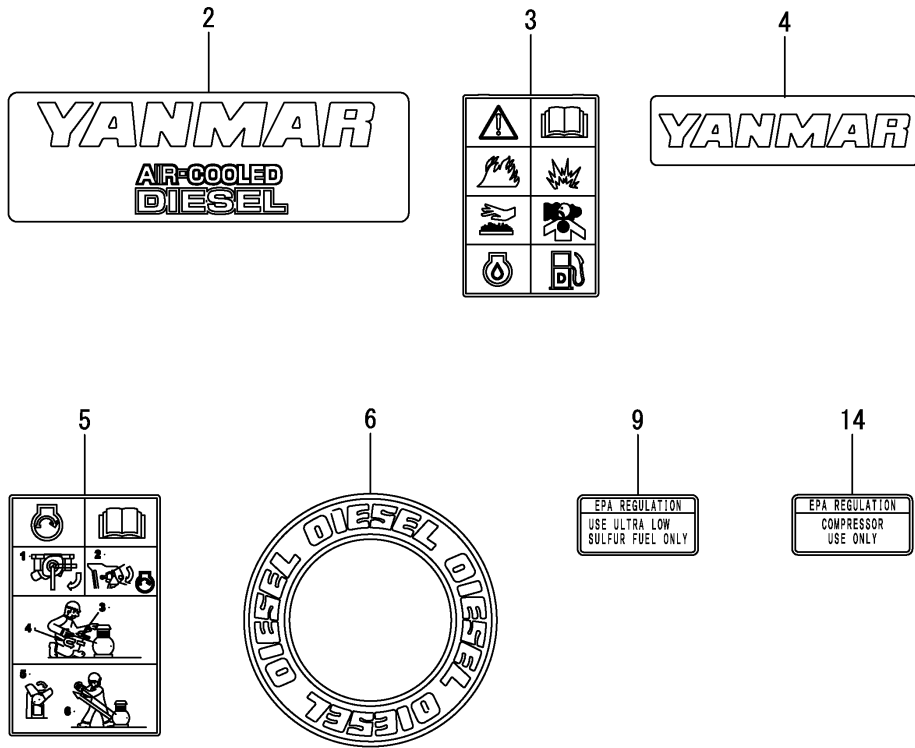


Fig.3. LABEL

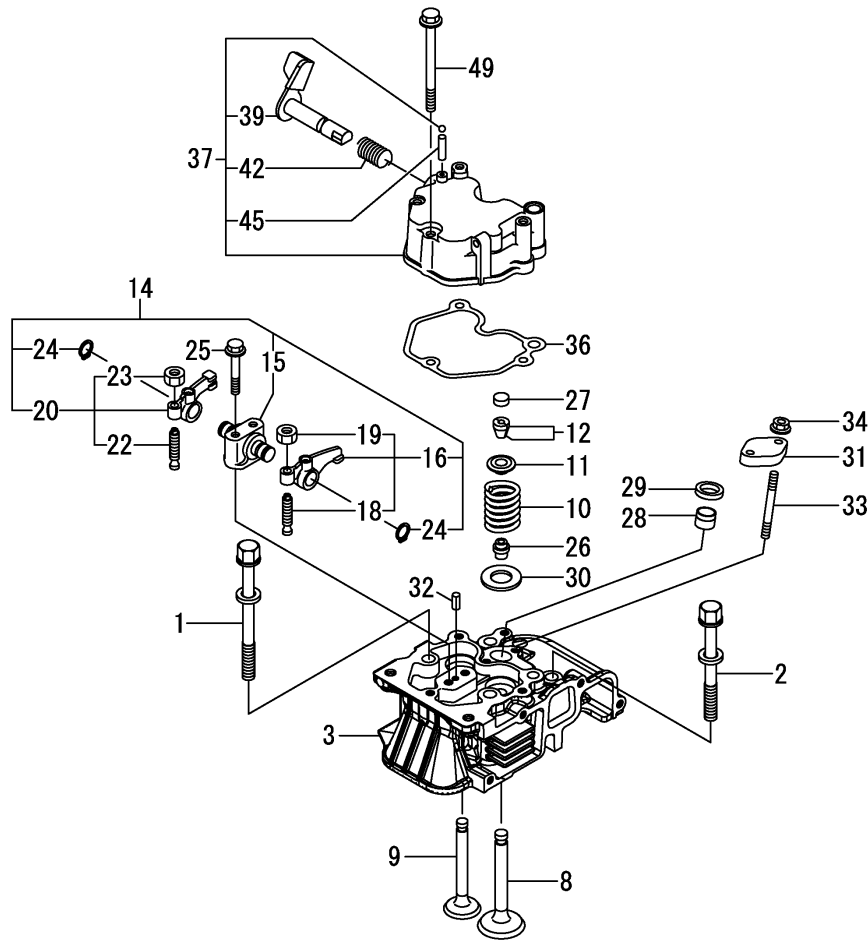


No.	Lev.	Parts No.	Description	Q'ty						I	R
				(A)	(B)	(C)	(D)	(E)	(F)		
2	1	114299-07101	LABEL, YANMAR MARK A	1							
3	1	1142A0-07100	LABEL, CAUTION	1							
4	1	114299-07111	LABEL, YANMAR MARK B	1							
5	1	114210-07130	LABEL HOW TO START-E	1							
6	1	114299-07160	LABEL, DIESEL	1							
9	1	114110-07761	LABEL, FUEL OIL CAUT	1							
14	1	114110-07780	LABEL, COMPRESSOR	1							

(A)=L100W6CA1T8CDCL
(B)=
(C)=

(D)=
(E)=
(F)=

Fig.4. CYLINDER HEAD & BONNET



(A)=L100W6CA1T8CDCL
(B)=
(C)=

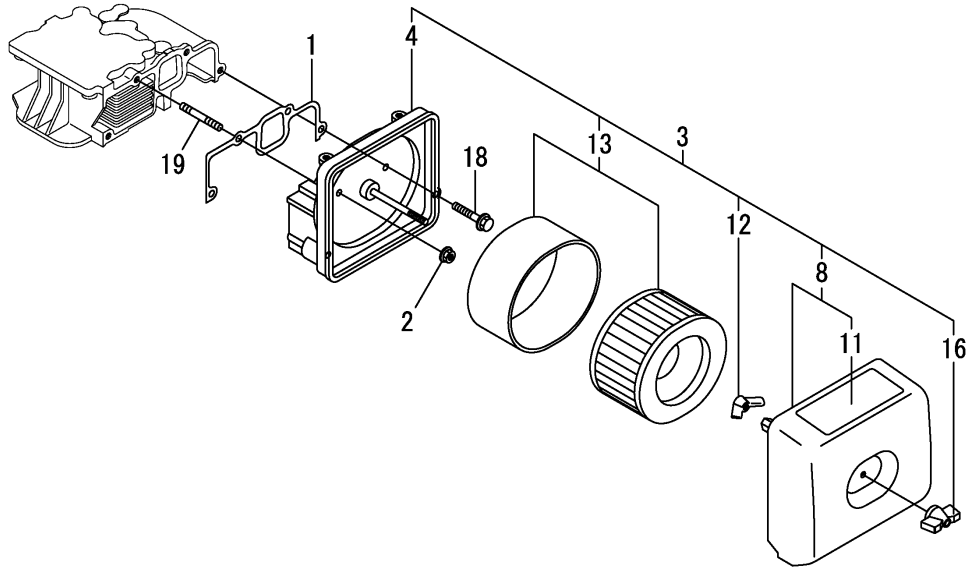
(D)=
(E)=
(F)=

No.	Lev.	Parts No.	Description	Q'ty						I	R
				(A)	(B)	(C)	(D)	(E)	(F)		
1	1	114310-01200	BOLT, CYL.HEAD A	2							
2	1	114310-01210	BOLT, CYL.HEAD B	2							
3	1	11432C-11020	HEAD ASSY, CYLINDER	1							
8	1	11431C-11100	VALVE, INTAKE	1							
9	1	11431C-11110	VALVE, EXHAUST	1							
10	1	114310-11120	SPRING, VALVE	2							
11	1	114310-11180	RETAINER, SPRING	2							
12	1	114310-11930	COTTER ASSY	2							
14	1	11431C-11250	SUPPORT ASSY, ARM	1							
15	2	11431C-11260	SUPPORT, ROCKER ARM	1							
16	2	11431C-11650	ARM, ROCKER	1							
18	3	114250-11240	SCREW, VALVE ADJUST	1							
19	3	26856-060002	NUT, M6	1							
20	2	11431C-11660	ARM, ROCKER	1							
22	3	114250-11240	SCREW, VALVE ADJUST	1							
23	3	26856-060002	NUT, M6	1							
24	2	22242-000150	RING, 15	2							
25	1	114310-11290	BOLT, SUPPORT	2							
26	1	114650-11341	SEAL, VALVE STEM	2							
27	1	104211-11370	CAP, VALVE	2							
28	1	114240-11450	PROTECTOR, NOZZLE	1							
29	1	114240-11550	SEAT, NOZZLE	1							
30	1	114699-11600	WASHER	2							
31	1	114210-11901	RETAINER, NOZZLE	1							
32	1	22351-040008	PIN, SPRING 4.0X 8	1							
33	1	26226-060552	STUD, M6X 55	2							
34	1	26366-060002	NUT, M6	2							
36	1	114310-11310	GASKET, BONNET	1							
37	1	114310-11950	BONNET ASSY, HEAD	1							
39	2	114210-03590	DECOMPRESSION ASSY	1							
42	2	114299-03640	SPRING, DECOMPRESSION	1							
45	2	22312-030160	PIN, PARALLEL M3X16	1							
49	1	26106-060652	BOLT, M6X 65 PLATED	3							

Fig.5. AIR CLEANER

(A)=L100W6CA1T8CDCL
(B)=
(C)=

(D)=
(E)=
(F)=

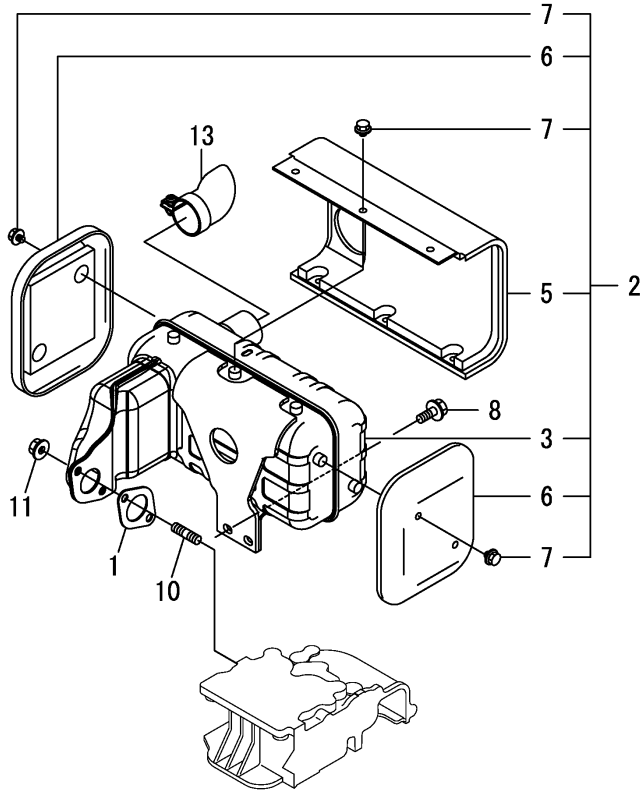


No.	Lev.	Parts No.	Description	Q'ty						I	R
				(A)	(B)	(C)	(D)	(E)	(F)		
1	1	114310-12210	GASKET, AIR CLEANER	1							
2	1	114299-12300	NUT	3							
3	1	114310-12511	AIR CLEANER ASSY	1							
4	2	114310-12010	BODY ASSY, AIR CLNR	1							
8	2	114210-12500	COVER ASSY, AIR CLNR	1							
11	3	114210-12610	LABEL, AIR CLEANER	1							
12	2	114210-12560	NUT, WING	1							
13	2	114210-12590	ELEMENT ASSY, AIR	1							
16	2	114210-12600	LOCKING KNOB	1							
18	1	26106-060402	BOLT, M6X 40 PLATED	1							
19	1	26226-060352	STUD, M6X 35	3							

Fig.6. EXHAUST MUFFLER

(A)=L100W6CA1T8CDCL
(B)=
(C)=

(D)=
(E)=
(F)=

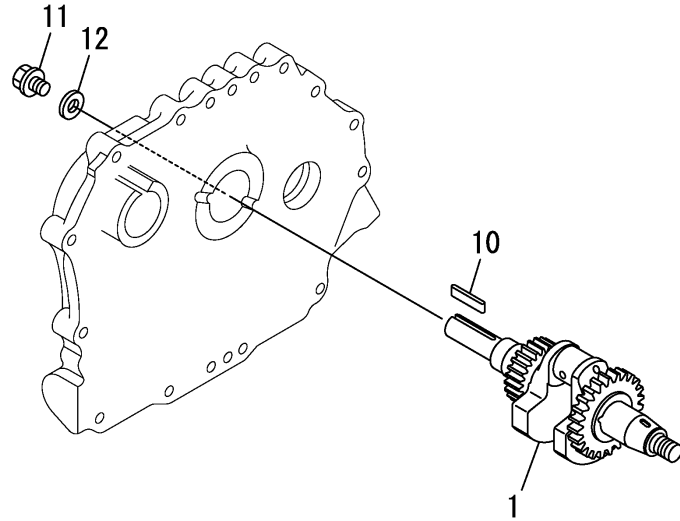


No.	Lev.	Parts No.	Description	Q'ty						I	R
				(A)	(B)	(C)	(D)	(E)	(F)		
1	1	114310-13200	GASKET, MUFFLER	1							
2	1	1143A0-13500	MUFFLER ASSY	1							
3	2	1143A0-13560	MUFFLER	1							
5	2	1143A0-13700	COVER, MUFFLER A	1							
6	2	1143A0-13710	COVER, MUFFLER B	2							
7	2	114252-13950	BOLT, M6X8	10							
8	1	26106-080202	BOLT, M8X 20 PLATED	2							
10	1	26216-080182	STUD, M8X 18	2							
11	1	26306-080002	NUT, M8	2							
13	1	114320-13800	DEFLECTOR ASSY, EXH	1							

Fig.8. CRANKSHAFT

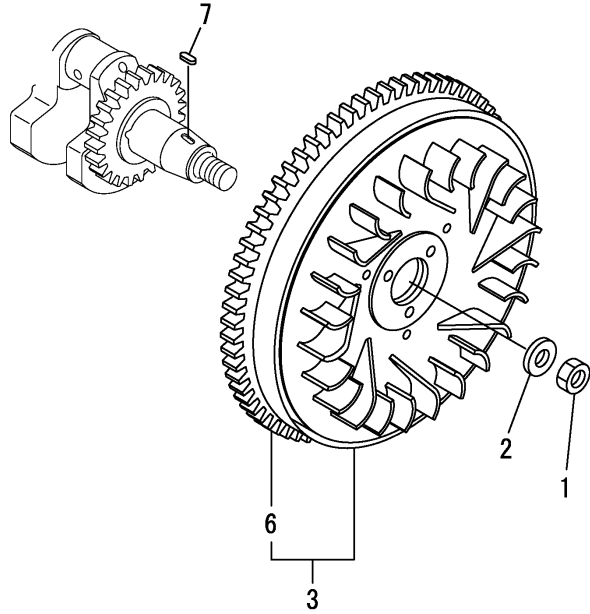
(A)=L100W6CA1T8CDCL
(B)=
(C)=

(D)=
(E)=
(F)=



No.	Lev.	Parts No.	Description	Q'ty						I	R
				(A)	(B)	(C)	(D)	(E)	(F)		
1	1	11431C-21730	CRANKSHAFT ASSY,E-D	1							
10	1	160842-21150	KEY, 6.3X50	1							
11	1	160842-21250	BOLT, 7/16-20UNF	1							
12	1	160842-21260	WASHER	1							

Fig.9. FLYWHEEL

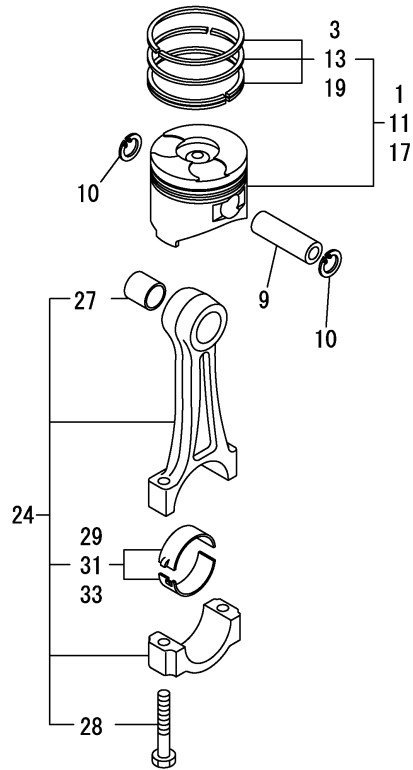


(A)=L100W6CA1T8CDCL
(B)=
(C)=

(D)=
(E)=
(F)=

No.	Lev.	Parts No.	Description	Q'ty						I	R
				(A)	(B)	(C)	(D)	(E)	(F)		
1	1	114699-21220	NUT	1							
2	1	114699-21550	WASHER	1							
3	1	114699-21600	FLYWHEEL ASSY, DE	1							
6	2	114699-21630	RING, GEAR	1							
7	1	22512-050140	KEY, 5X 14	1							

Fig.10. PISTON & CONNECTING ROD



(A)=L100W6CA1T8CDCL
(B)=
(C)=

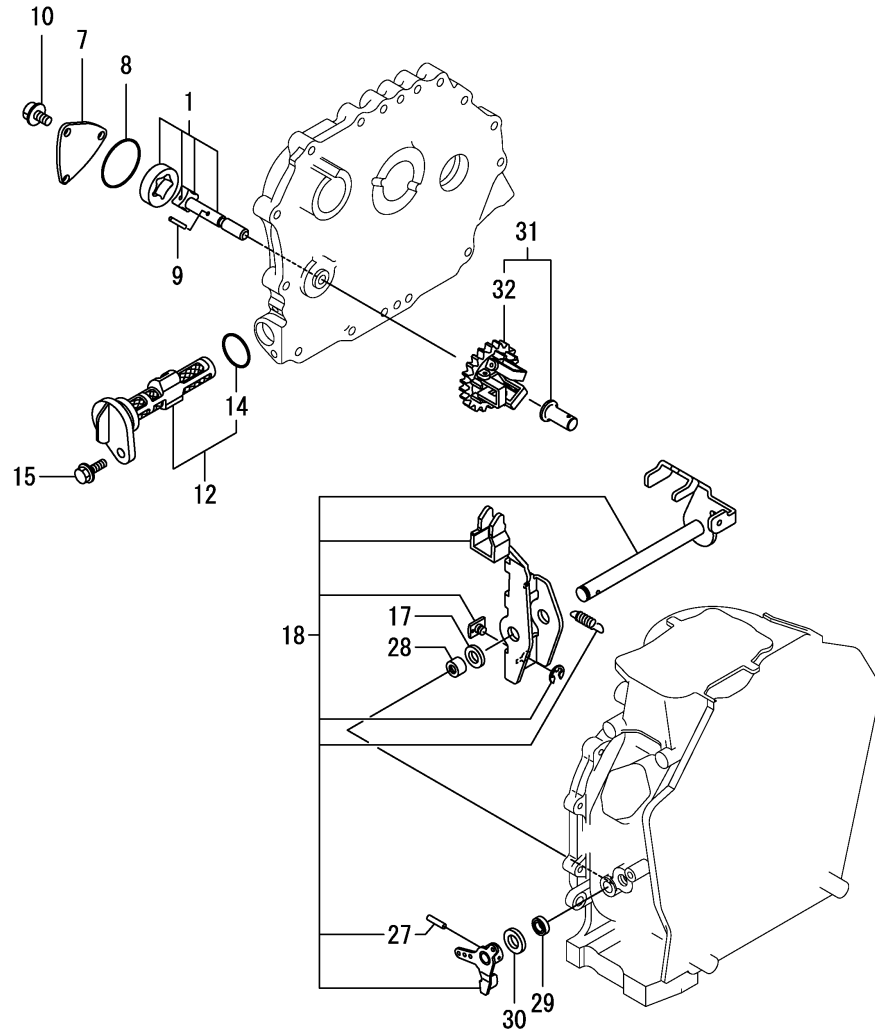
(D)=
(E)=
(F)=

No.	Lev.	Parts No.	Description	Q'ty						I	R
				(A)	(B)	(C)	(D)	(E)	(F)		
1	1	714320-22720	PISTON W/RINGS (D)	1							
3	2	714310-22500	RING SET, PISTON	1							
9	1	114699-22300	PIN, PISTON D=23	1							
10	1	114310-22500	SEEGER RING, J23	2							
11	1	714320-22620	PISTON W/RING .25OS	1							1
13	2	714310-22540	RING SET O.S.=0.25	1							1
17	1	714320-22580	PISTON W/RING .50OS	1							2
19	2	714310-22550	RING SET O.S.=0.50	1							2
24	1	71431C-23010	ROD ASSY, CONNECTING	1							
27	3	124060-23100	BEARING, PISTON PIN	1							
28	3	114310-23200	BOLT, CONNECTING ROD	2							
29	2	714650-23600	BEARING, CRANK PIN	1							
31	1	714650-23610	BEARING ASSY, 0.25	1							3
33	1	714650-23620	BEARING, 0.50 US	1							4

Remarks

- (1)Over-sized(O.S.=0.25) parts.
- (2)Over-sized(O.S.=0.50) parts.
- (3)Under-sized(U.S.=0.25) parts.
- (4)Under-sized(U.S.=0.50) parts.

Fig.12. LUB. OIL PUMP & GOVERNOR



(A)=L100W6CA1T8CDCL
(B)=
(C)=

(D)=
(E)=
(F)=

No.	Lev.	Parts No.	Description	Q'ty						I	R
				(A)	(B)	(C)	(D)	(E)	(F)		
1	1	114650-32010	PUMP ASSY, OIL	1							
7	1	114299-32070	COVER	1							
8	1	114299-32570	O-RING	1							
9	1	22312-030160	PIN, PARALLEL M3X16	1							
10	1	26106-060122	BOLT, M6X 12 PLATED	3							
12	1	114299-35110	FILTER ASSY, OIL	1							
14	2	24341-000224	O-RING, 1AS22.4	1							
15	1	26106-060162	BOLT, M6X 16 PLATED	1							
17	1	114299-61190	WASHER	1							
18	1	114311-61500	LEVER ASSY, GOVERNOR	1							1
27	2	22322-030200	PIN, TAPER 3X20	1							
28	1	114770-61520	BEARING, NEEDLE	2							
29	1	114299-61600	SEAL, OIL	1							
30	1	114770-61610	WASHER, THRUST	1							
31	1	714210-61701	GOVERNOR ASSY	1							
32	2	114210-61290	WEIGHT ASSY,GOVERNOR	1							

Remarks

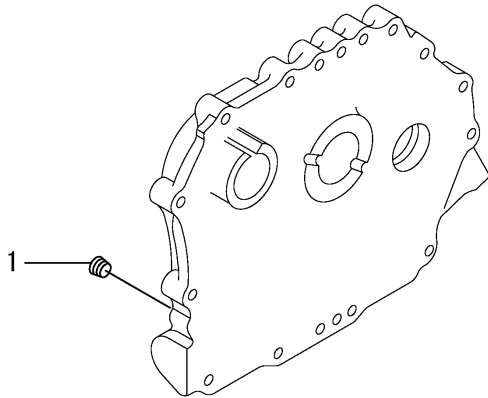
(1)On a guarantee of quality component parts shall not be sold.

N:Old $\xrightarrow{\text{Yes}}$ New, Q:Old $\xrightarrow{\text{No}}$ New, R:Old $\xrightarrow{\text{Yes}}$ New, S:Old $\xrightarrow{\text{No}}$ New, W:Add, Z:Discontinued, F:Interchangeable by set, K:Q'ty Change

Fig.13. SWITCH CAP(OIL PRESSURE)

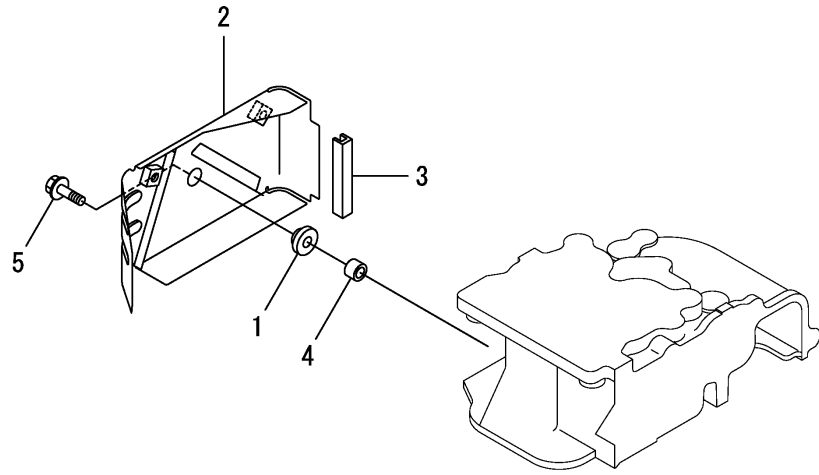
(A)=L100W6CA1T8CDCL
(B)=
(C)=

(D)=
(E)=
(F)=



No.	Lev.	Parts No.	Description	Q'ty						I	R
				(A)	(B)	(C)	(D)	(E)	(F)		
1	1	23876-010000	PLUG, R01	1							

Fig.14. COVER

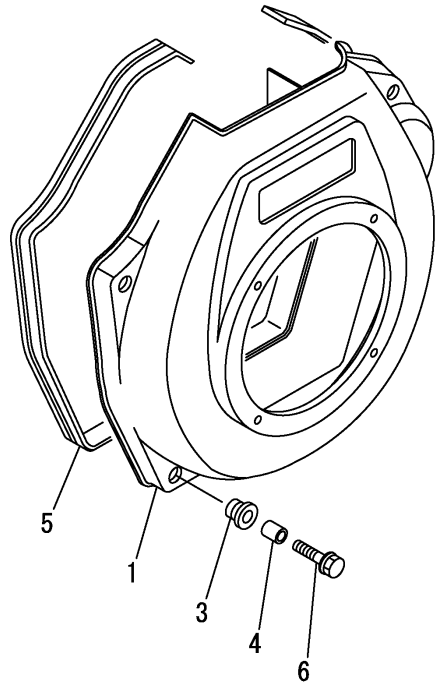


(A)=L100W6CA1T8CDCL
(B)=
(C)=

(D)=
(E)=
(F)=

No.	Lev.	Parts No.	Description	Q'ty						I	R
				(A)	(B)	(C)	(D)	(E)	(F)		
1	1	114299-45220	GROMMET	1							
2	1	114310-45260	COVER B, SIDE	1							
3	1	114399-45320	RUBBER, SEAL	1							
4	1	114399-45340	COLLAR	1							
5	1	26106-060202	BOLT, M6X 20 PLATED	1							

Fig.15. COOLING FAN CASE

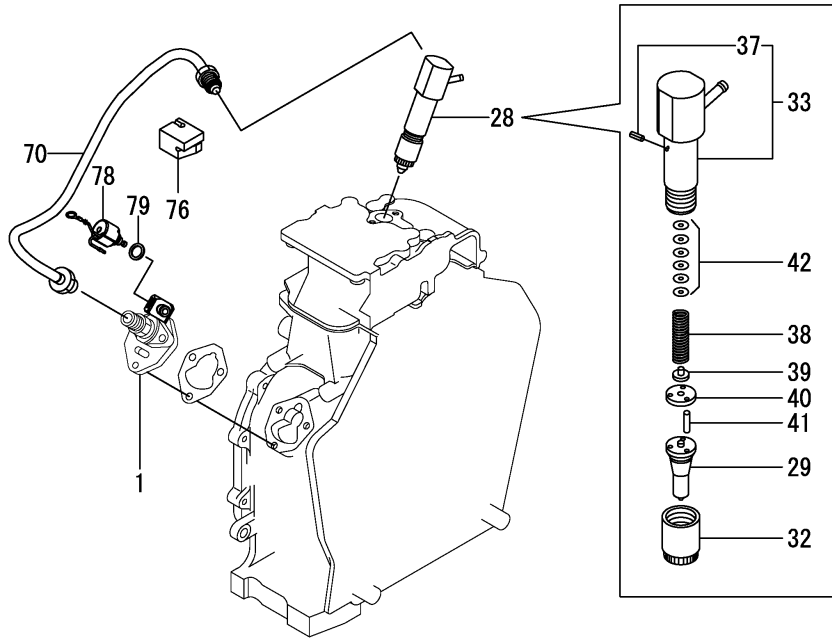


(A)=L100W6CA1T8CDCL
(B)=
(C)=

(D)=
(E)=
(F)=

No.	Lev.	Parts No.	Description	Q'ty						I	R
				(A)	(B)	(C)	(D)	(E)	(F)		
1	1	114310-45150	CASE, COOLING FAN	1							
3	1	114299-45301	RUBBER, CUSHION	4							
4	1	114299-45310	COLLAR	4							
5	1	114699-45331	SEAL, FAN CASE	1							
6	1	114299-45350	BOLT, FAN CASE	4							

Fig.16. FUEL INJECTION PUMP & FUEL INJECTION VALVE



(A)=L100W6CA1T8CDCL
(B)=
(C)=

(D)=
(E)=
(F)=

No.	Lev.	Parts No.	Description	Q'ty						I	R
				(A)	(B)	(C)	(D)	(E)	(F)		
1	1	714349-51640	F.I.PUMP ASSY	1							1
28	1	714349-53100	VALVE ASSY,INJECTION	1							
29	2	114349-53000	NOZZLE ASSY	1							
32	2	114250-53080	NUT, NOZZLE	1							
33	2	114339-53100	HOLDER ASSY, NOZZLE	1							
37	3	22351-025005	PIN, SPRING 2.5X 6	1							
38	2	114250-53120	SPRING, NOZZLE	1							
39	2	114250-53130	SEAT, SPRING	1							
40	2	114250-53140	SPACER	1							
41	2	114250-53210	PIN	2							
42	2	119803-53400	SHIM SET	1							
70	1	114310-59800	PIPE ASSY, INJECTION	1							
76	1	114699-59850	SUPPORT, PIPE	1							
78	1	114110-76910	VALVE ASSY, F/O CUT	1							
79	1	114299-83020	GASKET, 10X1.2	1							

Remarks

(1)On a guarantee of quality component part shall not be sold.

N:Old $\xrightarrow{\text{Yes}}$ New, Q:Old $\xrightarrow{\text{No}}$ New, R:Old $\xrightarrow{\text{Yes}}$ New, S:Old $\xrightarrow{\text{No}}$ New, W:Add, Z:Discontinued, F:Interchangeable by set, K:Q'ty Change

Fig.17. FUEL TANK & FUEL PIPE

(A)=L100W6CA1T8CDCL

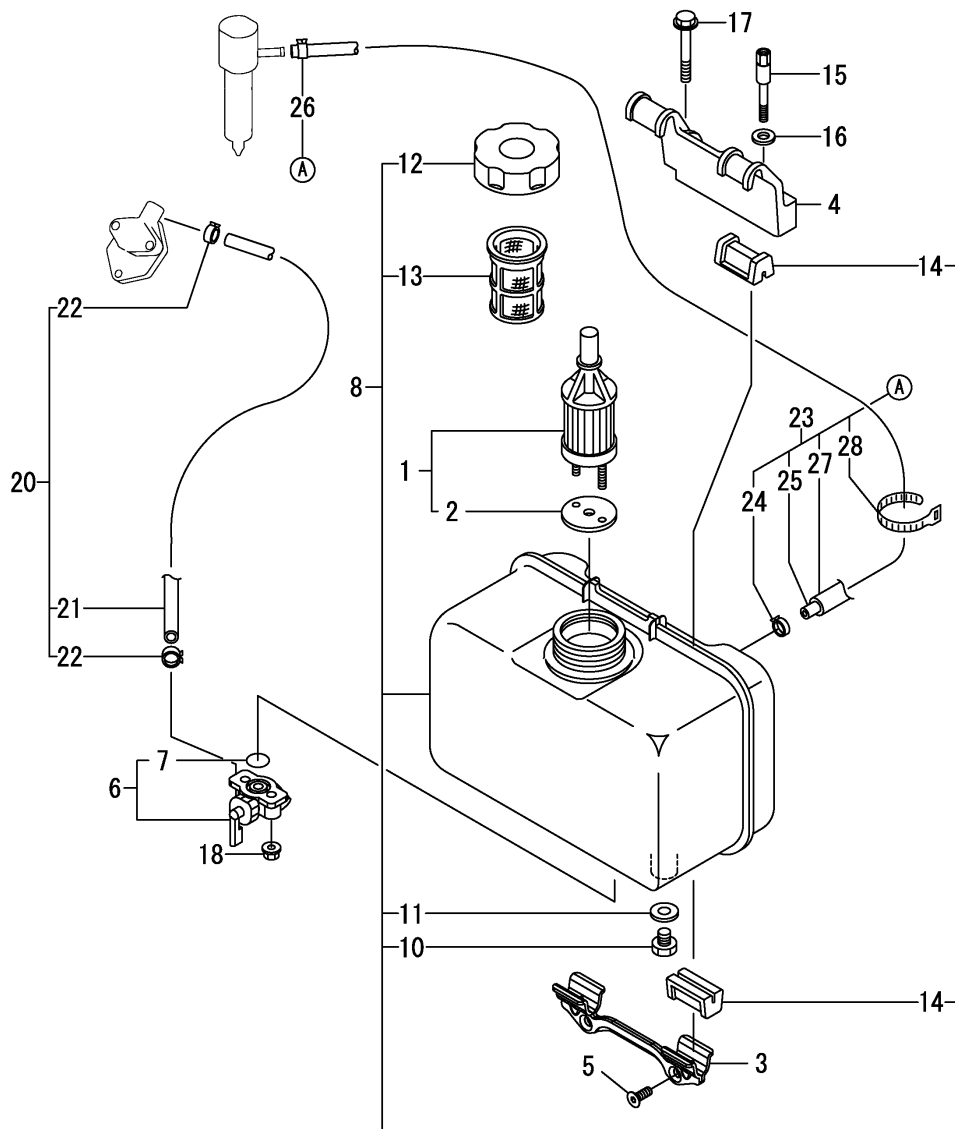
(B)=

(C)=

(D)=

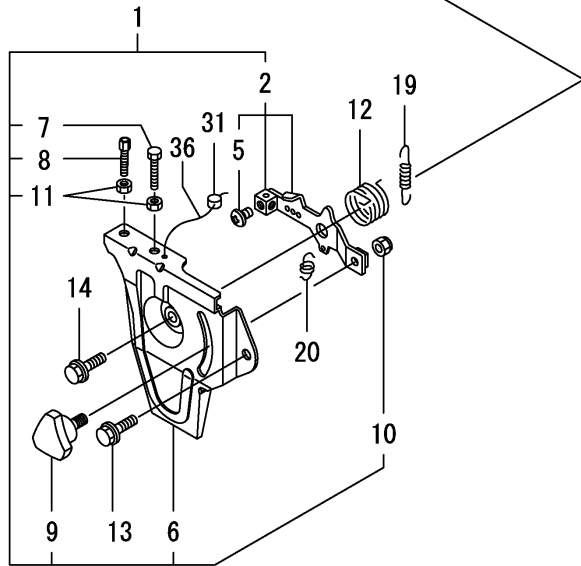
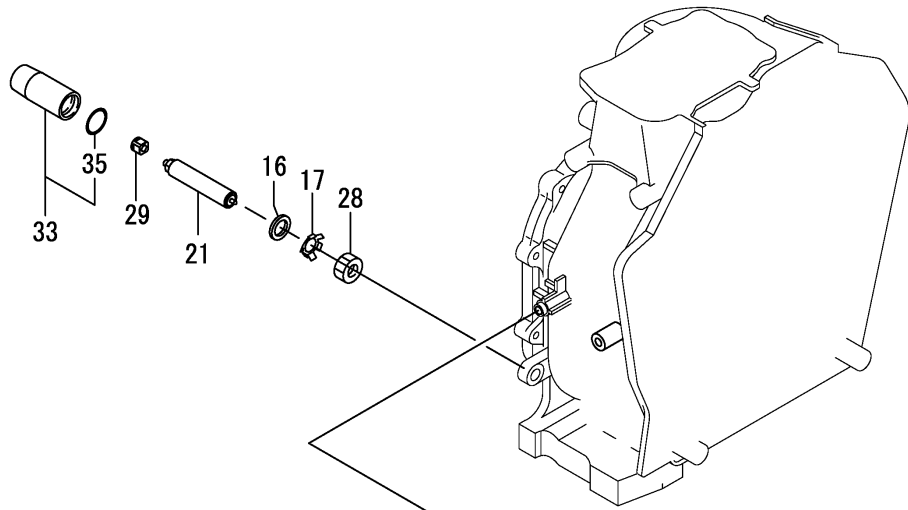
(E)=

(F)=



No.	Lev.	Parts No.	Description	Q'ty						I	R
				(A)	(B)	(C)	(D)	(E)	(F)		
1	1	114250-55121	FILTER ASSY, FUEL	1							
2	2	114250-55130	GASKET	1							
3	1	114210-55220	STAY A, FUEL TANK	1							
4	1	114310-55230	STAY B, FUEL TANK	1							
5	1	114210-55300	BOLT, COUNTERSUNK	2							
6	1	114240-55300	COCK ASSY, FUEL	1							
7	2	24311-000125	O-RING, 1AP12.5	1							
8	1	11431C-55710	TANK, FUEL(BLACK)(13)	1							
10	2	114299-55080	PLUG, DRAIN	1							
11	2	23414-080000	GASKET, 8X1.0	1							
12	2	114299-55040	CAP ASSY, FUEL TANK	1							
13	2	114299-55100	ELEMENT, FUEL FILTER	1							
14	2	114250-55201	DAMPER, FUEL TANK	4							
15	1	114210-55810	BOLT, LIFTING	1							
16	1	22117-080000	WASHER, 8	1							
17	1	26106-080452	BOLT, M8X 45 PLATED	1							
18	1	26366-060002	NUT, M6	2							
20	1	114780-59010	PIPE ASSY, FUEL L50	1							
21	2	114780-59060	PIPE, FUEL L=50	1							
22	2	23080-014000	CLAMP, 14	2							
23	1	114339-59300	PIPE ASSY, RETURN	1							
24	2	124722-59050	CLAMP, HOSE 9	1							
25	2	114310-59060	PIPE, FUEL RETURN	1							
26	2	124066-59100	CLAMP, HOSE 8	1							
27	2	114310-59310	HOSE, PROTECT	1							
28	2	121750-59890	BAND, NYLON	1							

Fig.18. CONTROL DEVICE

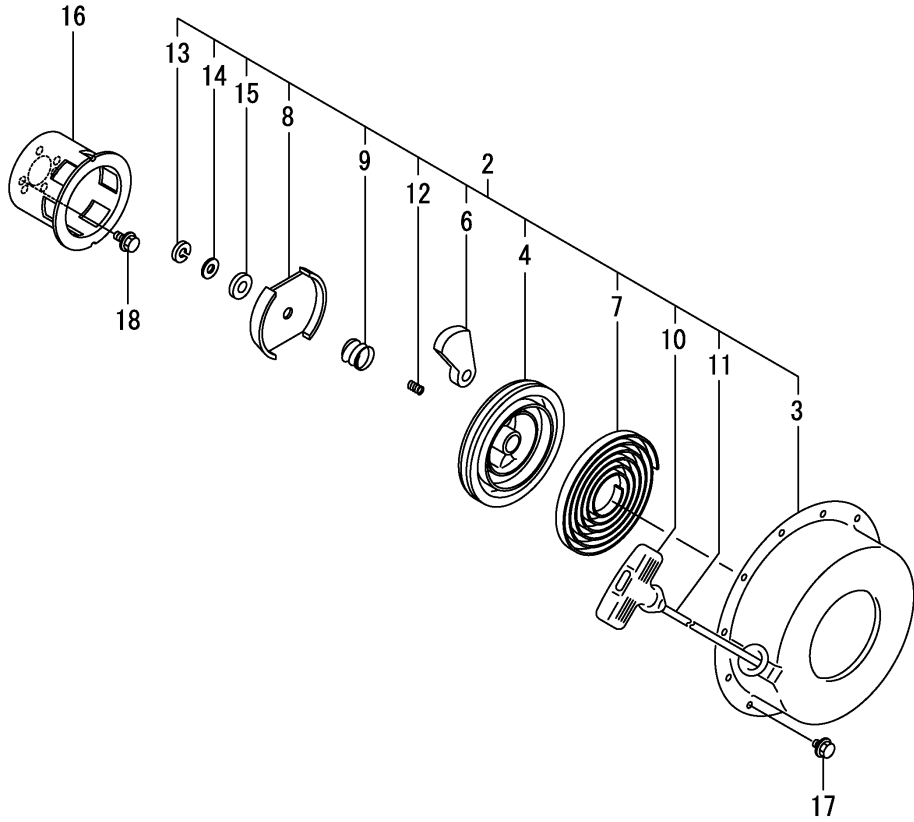


(A)=L100W6CA1T8CDCL
(B)=
(C)=

(D)=
(E)=
(F)=

No.	Lev.	Parts No.	Description	Q'ty						I	R
				(A)	(B)	(C)	(D)	(E)	(F)		
1	1	714210-66100	SPEED CTRL, THAI	1							
2	2	114210-66060	HANDLE ASSY,REGLATR.	1							
5	3	26117-050089	BOLT, M5X 8 PLATED	1							
6	2	114210-66100	BRACKET, REGULATOR	1							
7	2	114299-66440	BOLT, ADJUSTING	1							
8	2	114299-67080	BOLT, ADJUSTING	1							
9	2	160725-78350	KNOB, BOLT M6X15	1							
10	2	26347-060002	NUT, M6	1							
11	2	26857-060002	NUT, M6	2							
12	1	114299-66250	SPRING, RETURN	1							
13	1	26106-060142	BOLT, M6X 14 PLATED	1							
14	1	26106-060202	BOLT, M6X 20 PLATED	1							
16	1	114295-61810	WASHER, PLAIN 14	1							
17	1	114771-61830	PLATE	1							
19	1	114310-66010	SPRING, REGULATOR	1							
20	1	114299-66201	SPRING, RETURN	1							
21	1	1143A0-66600	LIMITER ASSY, FO	1							
28	1	114295-66690	NUT, M14X1.25	1							
29	1	1142A0-66700	CAP, FO LIMITER	1							
31	1	114780-61090	TIN	1							
33	1	114295-61980	PROTECTOR ASSY	1							
35	2	24311-000180	O-RING, 1AP18.0	1							
36	1	22451-060000	WIRE, 0.6	1							

Fig.19. RECOIL STARTER



(A)=L100W6CA1T8CDCL
(B)=
(C)=

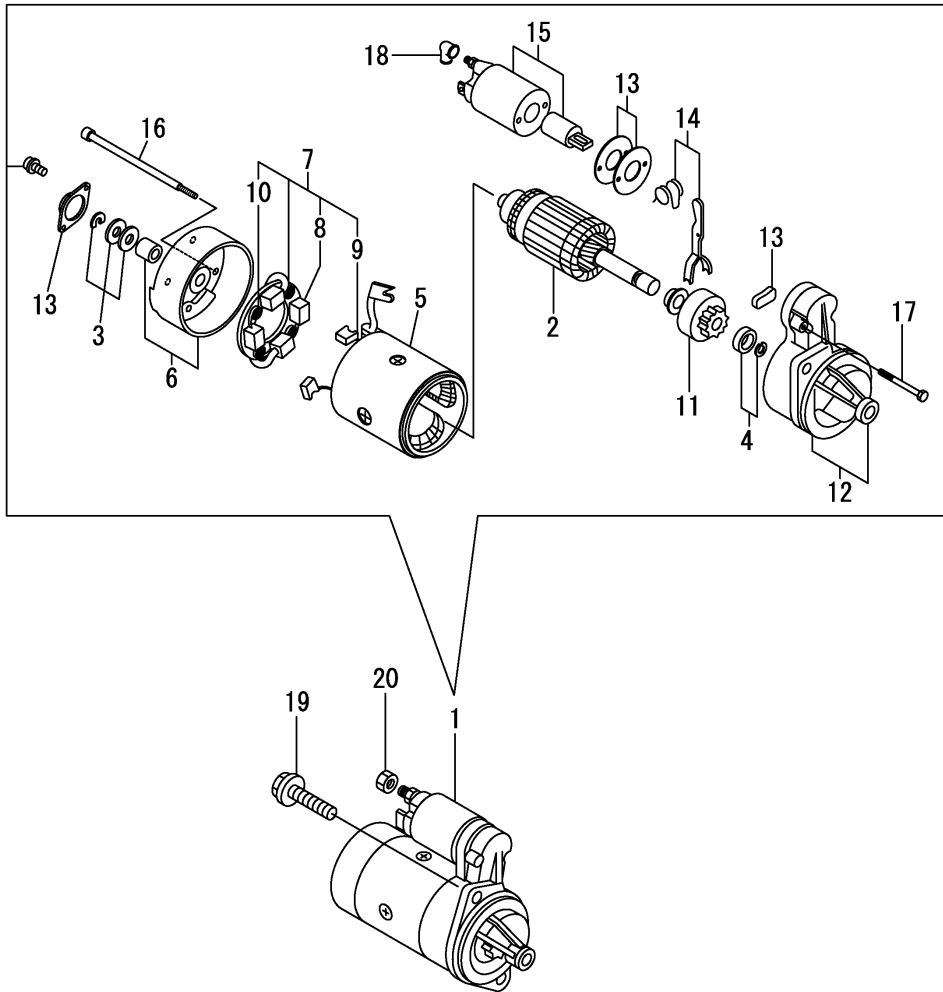
(D)=
(E)=
(F)=

No.	Lev.	Parts No.	Description	Q'ty						I	R
				(A)	(B)	(C)	(D)	(E)	(F)		
2	2	114699-76251	RECOIL ASSY	1							
3	3	114699-76510	CASE, STARTER	1							
4	3	114699-76521	REEL, RECOIL	1							
6	3	114699-76531	RATCHET	2							
7	3	114399-76540	SPRING, SPIRAL	1							
8	3	114699-76551	GUIDE, RATCHET	1							
9	3	114699-76560	SPRING, FRICTION	1							
10	3	114399-76620	KNOB, STARTER	1							
11	3	114699-76630	ROPE, STARTER	1							
12	3	114699-76650	SPRING, RETURN	1							
13	3	114699-76660	CIRCLIP	1							
14	3	114699-76670	WASHER	1							
15	3	114699-76680	WASHER	1							
16	2	114699-76592	PULLEY, STARTER	1							
17	1	26106-060082	BOLT, M6X 8 PLATED	4							
18	1	26106-060122	BOLT, M6X 12 PLATED	3							

Fig.20. STARTER MOTOR

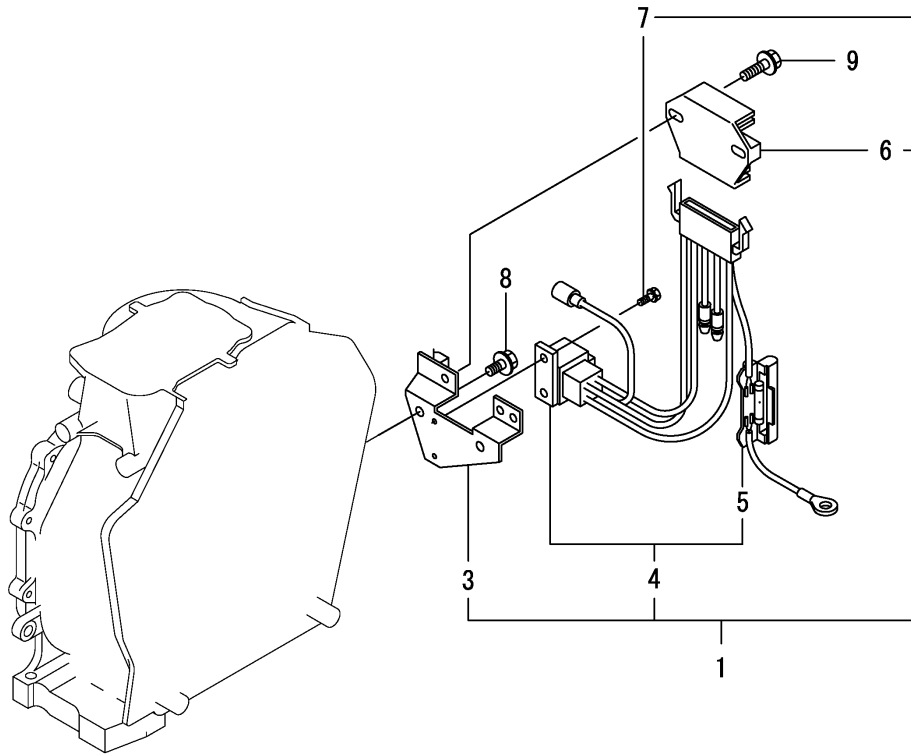
(A)=L100W6CA1T8CDCL
(B)=
(C)=

(D)=
(E)=
(F)=



No.	Lev.	Parts No.	Description	Q'ty						I	R
				(A)	(B)	(C)	(D)	(E)	(F)		
1	1	114362-77011	STARTER ASSY	1							
2	2	114381-77110	ARMATURE	1							
3	2	X2114811000	WASHER KIT, THRUST	1							
4	2	X2114715500	STOPPER SET, PINION	1							
5	2	114381-77130	COIL ASSY, FIELD	1							
6	2	114381-77140	COVER	1							
7	2	114371-77160	HOLDER ASSY, BRUSH	1							
8	3	114371-79040	BRUSH	2							
9	3	114371-79050	BRUSH	1							
10	3	114371-79060	SPRING, BRUSH	4							
11	2	X211485016	PINION ASSY	1							
12	2	114381-77151	CASE ASSY	1							
13	2	114371-77170	COVER KIT, DUST	1							
14	2	114371-77180	LEVER KIT, SHIFT	1							
15	2	124298-77020	SWITCH, MAGNET	1							
16	2	124195-77770	BOLT, THROUGH	2							
17	2	114371-79070	BOLT	2							
18	2	X2114274200	COVER, TERMINAL	1							
19	1	26106-100302	BOLT, M10X 30 PLATED	2							
20	1	26716-080002	NUT, M8	1							

Fig.21. ELECTRICAL EQUIPMENT

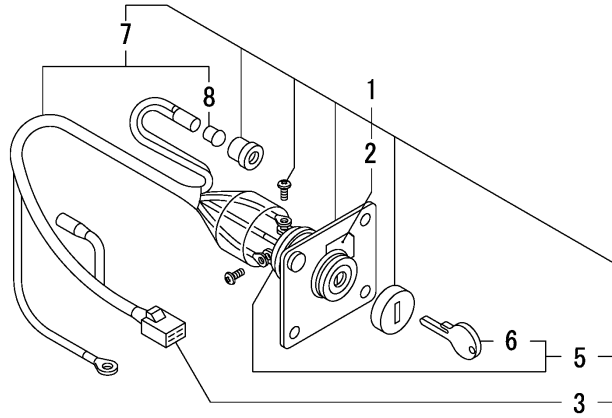


(A)=L100W6CA1T8CDCL
(B)=
(C)=

(D)=
(E)=
(F)=

No.	Lev.	Parts No.	Description	Q'ty						I	R
				(A)	(B)	(C)	(D)	(E)	(F)		
1	1	114399-77550	REG. & HARNESS ASSY	1							
3	3	114399-77400	BRACKET, HARNESS	1							
4	3	114399-77540	HARNESS, WIRE	1							
5	4	114399-78000	FUSE(20A	1							
6	2	114399-77710	REGULATOR	1							
7	2	26023-040102	SCREW, M4X10	2							
8	1	26106-060122	BOLT, M6X 12 PLATED	2							
9	1	26106-060202	BOLT, M6X 20 PLATED	2							

Fig.22. KEY SWITCH



(A)=L100W6CA1T8CDCL
(B)=
(C)=

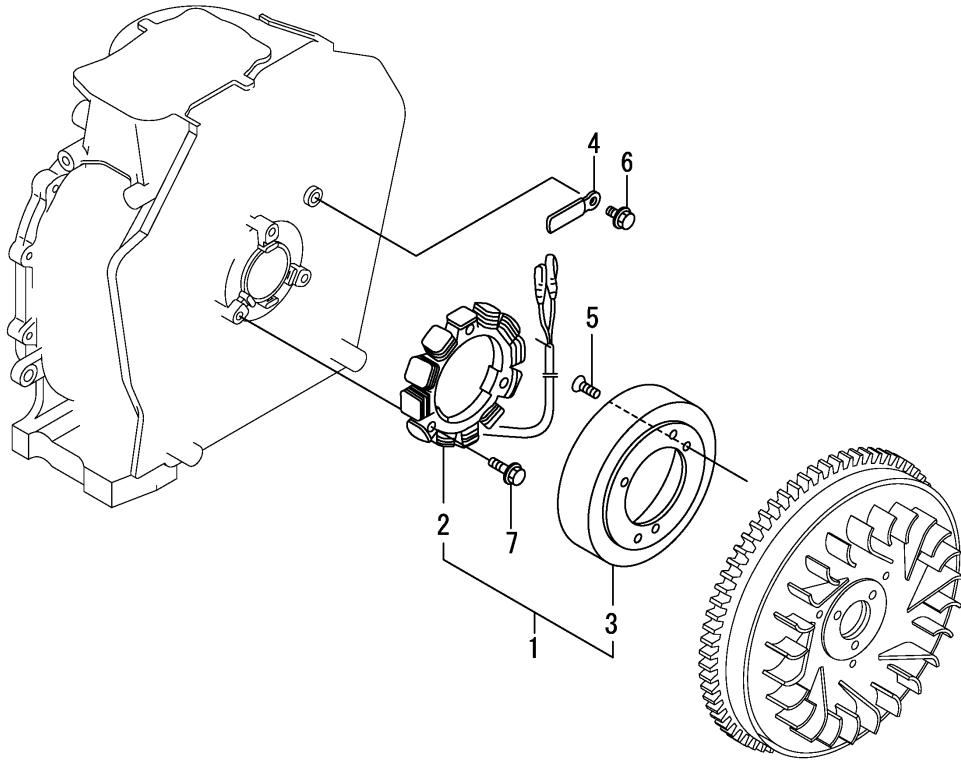
(D)=
(E)=
(F)=

No.	Lev.	Parts No.	Description	Q'ty						I	R
				(A)	(B)	(C)	(D)	(E)	(F)		
1	1	114351-77500	PANEL ASSY	1							
2	2	105198-07120	LABEL, START SWITCH	1							
3	2	114351-77520	COUPLER	1							
5	2	106100-77620	SWITCH, KEY	1							
6	3	106100-77630	KEY, SWITCH	1							
7	2	114351-77700	HARNES, WIRE	1							
8	3	29220-083200	BULB (12V/3.4W)	1							

Fig.23. DYNAMO

(A)=L100W6CA1T8CDCL
(B)=
(C)=

(D)=
(E)=
(F)=

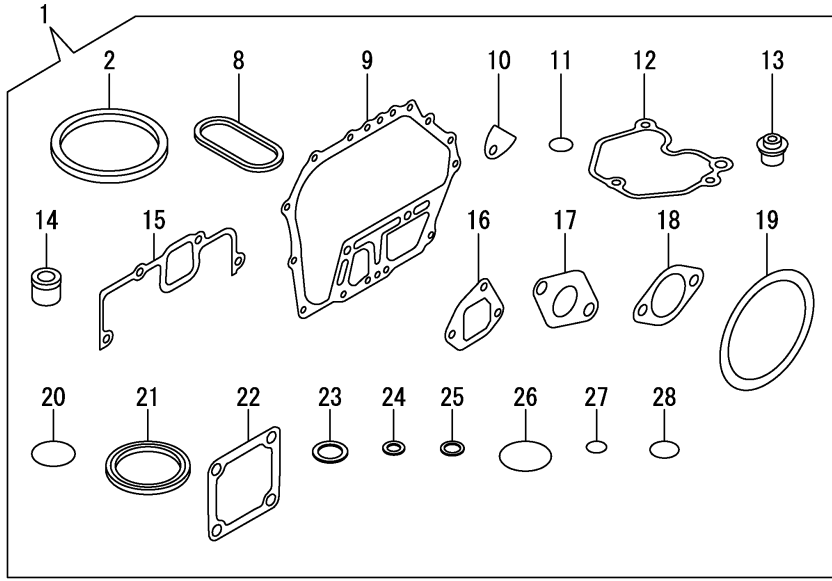


No.	Lev.	Parts No.	Description	Q'ty						I	R
				(A)	(B)	(C)	(D)	(E)	(F)		
1	1	114399-78260	DYNAMO ASSY	1							
2	2	114399-78730	STATOR ASSY	1							
3	2	114399-78740	WHEEL, DYNAMO	1							
4	1	160710-78710	CLAMP, CORD	1							
5	1	114210-78800	SCREW,COUNTERSUNK M6	3							
6	1	26106-060122	BOLT, M6X 12 PLATED	1							
7	1	26106-060202	BOLT, M6X 20 PLATED	3							

Fig.24. GASKET SET

(A)=L100W6CA1T8CDCL
(B)=
(C)=

(D)=
(E)=
(F)=



No.	Lev.	Parts No.	Description	Q'ty						I	R
				(A)	(B)	(C)	(D)	(E)	(F)		
1	1	114320-92600	GASKET SET	1							1
2	2	114695-01331	GASKET, HEAD	1							
8	2	114699-01380	O-RING	1							
9	2	114699-01410	GASKET, CRANK CASE	1							
10	2	114250-01841	GASKET	1							
11	2	114299-01950	O-RING, 18	2							
12	2	114310-11310	GASKET, BONNET	1							
13	2	114650-11341	SEAL, VALVE STEM	2							
14	2	114771-11461	GASKET, NOZZLE	1							
15	2	114310-12210	GASKET, AIR CLEANER	1							
16	2	114699-12210	GASKET, AIR CLEANER	2							
17	2	114310-13200	GASKET, MUFFLER	1							
18	2	183671-13211	GASKET, MUFFLER	1							
19	2	114399-21980	GASKET	1							
20	2	114299-32570	O-RING	1							
21	2	160393-55050	GASKET	4							
22	2	129100-77510	GASKET, AIR HEATER	3							
23	2	22190-160002	WASHER, SEAL 16	2							
24	2	23414-080000	GASKET, 8X1.0	1							
25	2	23414-120000	GASKET, 12X1.0	1							
26	2	24311-000400	O-RING, 1AP40.0	1							
27	2	24341-000150	O-RING, 1AS15.0	2							
28	2	24341-000224	O-RING, 1AS22.4	1							

Remarks

(1)Optional parts.

N:Old $\xrightarrow{\text{Yes}}$ New, Q:Old $\xrightarrow{\text{No}}$ New, R:Old $\xrightarrow{\text{Yes}}$ New, S:Old $\xrightarrow{\text{No}}$ New, W:Add, Z:Discontinued, F:Interchangeable by set, K:Q'ty Change

Parts No. Index

Parts No.	Fig. No.	Ref. No.
104211-11370	4	27
105198-07120	22	2
106100-77620	22	5
106100-77630	22	6
114110-07761	3	9
114110-07780	3	14
114110-76910	16	78
114210-03590	4	39
114210-07130	3	5
114210-11901	4	31
114210-12500	5	8
114210-12560	5	12
114210-12590	5	13
114210-12600	5	16
114210-12610	5	11
114210-14300	7	7
114210-55220	17	3
114210-55300	17	5
114210-55810	17	15
114210-61290	12	32
114210-66060	18	2
114210-66100	18	6
114210-78800	23	5
114240-11450	4	28
114240-11550	4	29
114240-55300	17	6
114250-01841	1	25
	24	10
114250-11240	4	18
	22	
114250-53080	16	32
114250-53120	16	38
114250-53130	16	39
114250-53140	16	40
114250-53210	16	41
114250-55121	17	1
114250-55130	17	2
114250-55201	17	14
114252-13950	6	7
114295-61810	18	16
114295-61980	18	33
114295-66690	18	28
114299-01600	1	12
114299-01690	2	1
114299-01800	1	13
114299-01830	1	24
114299-01950	2	4
	24	11
114299-02030	1	43
114299-03640	4	42

Parts No.	Fig. No.	Ref. No.
114299-07101	3	2
114299-07111	3	4
114299-07160	3	6
114299-12300	5	2
114299-32070	12	7
114299-32570	12	8
	24	20
114299-35110	12	12
114299-35150	1	38
114299-45220	14	1
114299-45301	15	3
114299-45310	15	4
114299-45350	15	6
114299-55040	17	12
114299-55080	17	10
114299-55100	17	13
114299-61190	12	17
114299-61600	12	29
114299-66201	18	20
114299-66250	18	12
114299-66440	18	7
114299-67080	18	8
114299-83020	16	79
1142A0-07100	3	3
1142A0-66700	18	29
114310-01010	1	1
114310-01200	4	1
114310-01210	4	2
114310-01450	1	33
114310-11120	4	10
114310-11180	4	11
114310-11290	4	25
114310-11310	4	36
	24	12
114310-11930	4	12
114310-11950	4	37
114310-12010	5	4
114310-12210	5	1
	24	15
114310-12511	5	3
114310-13200	6	1
	24	17
114310-14200	7	6
114310-14400	7	12
114310-22500	10	10
114310-23200	10	28
114310-45150	15	1
114310-45260	14	2
114310-55230	17	4
114310-59060	17	25

Parts No.	Fig. No.	Ref. No.
114310-59310	17	27
114310-59800	16	70
114310-66010	18	19
114311-61500	12	18
11431C-11100	4	8
11431C-11110	4	9
11431C-11250	4	14
11431C-11260	4	15
11431C-11650	4	16
11431C-11660	4	20
11431C-21730	8	1
11431C-55710	17	8
114320-13800	6	13
114320-92600	24	1
11432C-11020	4	3
114339-53100	16	33
114339-59300	17	23
114349-53000	16	29
114351-77500	22	1
114351-77520	22	3
114351-77700	22	7
114362-77011	20	1
114371-77160	20	7
114371-77170	20	13
114371-77180	20	14
114371-79040	20	8
114371-79050	20	9
114371-79060	20	10
114371-79070	20	17
114381-77110	20	2
114381-77130	20	5
114381-77140	20	6
114381-77151	20	12
114399-21980	24	19
114399-45320	14	3
114399-45340	14	4
114399-76540	19	7
114399-76620	19	10
114399-77400	21	3
114399-77540	21	4
114399-77550	21	1
114399-77710	21	6
114399-78000	21	5
114399-78260	23	1
114399-78730	23	2
114399-78740	23	3
1143A0-13500	6	2
1143A0-13560	6	3
1143A0-13700	6	5
1143A0-13710	6	6

Parts No.	Fig. No.	Ref. No.
1143A0-66600	18	21
114650-02100	1	36
114650-02150	1	44
114650-02200	1	40
114650-02210	1	41
114650-11341	4	26
	24	13
114650-32010	12	1
114695-01331	1	5
	24	2
114699-01380	1	11
	24	8
114699-01410	1	32
	24	9
114699-01760	2	2
114699-11600	4	30
114699-12210	24	16
114699-21220	9	1
114699-21550	9	2
114699-21600	9	3
114699-21630	9	6
114699-22300	10	9
114699-45331	15	5
114699-59850	16	76
114699-76251	19	2
114699-76510	19	3
114699-76521	19	4
114699-76531	19	6
114699-76551	19	8
114699-76560	19	9
114699-76592	19	16
114699-76630	19	11
114699-76650	19	12
114699-76660	19	13
114699-76670	19	14
114699-76680	19	15
114770-61520	12	28
114770-61610	12	30
114771-11461	24	14
114771-61830	18	17
114780-59010	17	20
114780-59060	17	21
114780-61090	18	31
119803-53400	16	42
121750-59890	17	28
124060-23100	10	27
124066-59100	17	26
124195-77770	20	16
124298-77020	20	15
124722-59050	17	24

Parts No. Index

Parts No.	Fig. No.	Ref. No.
129100-77510	24	22
160393-55050	24	21
160710-78710	23	4
160725-78350	18	9
160842-21150	8	10
160842-21250	8	11
160842-21260	8	12
183671-13211	24	18
22117-080000	17	16
22190-160002	2	5
	24	23
22242-000150	4	24
22312-030160	4	45
	12	9
22312-040080	1	26
22322-030200	12	27
22351-025005	16	37
22351-040008	4	32
22451-060000	18	36
22512-050140	9	7
23080-014000	17	22
23414-080000	17	11
	24	24
23414-120000	24	25
23875-020000	1	27
23876-010000	13	1
24101-063040	11	6
24162-152220	1	45
24311-000125	17	7
24311-000180	18	35
24311-000400	24	26
24341-000150	24	27
24341-000224	12	14
	24	28
24423-355008	1	46
		47
26023-040102	21	7
26106-060082	19	17
26106-060122	12	10
	19	18
	21	8
	23	6
26106-060142	18	13
26106-060162	12	15
26106-060202	14	5
	18	14
	21	9
	23	7
26106-060402	5	18
26106-060652	4	49

Parts No.	Fig. No.	Ref. No.
26106-080122	1	48
26106-080202	6	8
26106-080352	1	39
26106-080452	17	17
26106-100302	20	19
26117-050089	18	5
26216-080182	6	10
26226-060182	1	28
26226-060222	1	29
26226-060352	5	19
26226-060552	4	33
26306-080002	6	11
26347-060002	18	10
26366-060002	1	30
	4	34
	17	18
26716-080002	20	20
26856-060002	4	19
		23
26857-060002	18	11
29220-083200	22	8
714210-61701	12	31
714210-66100	18	1
714310-22500	10	3
714310-22540	10	13
714310-22550	10	19
714310-28510	11	1
71431C-23010	10	24
714320-14580	7	1
714320-22580	10	17
714320-22620	10	11
714320-22720	10	1
714349-51640	16	1
714349-53100	16	28
714650-23600	10	29
714650-23610	10	31
714650-23620	10	33
X2114274200	20	18
X2114715500	20	4
X2114811000	20	3
X211485016	20	11

Parts No.	Fig. No.	Ref. No.
-----------	----------	----------

Parts No.	Fig. No.	Ref. No.
-----------	----------	----------