

0CC50-M00800EN

# P R E F A C E

This parts catalog is the 1st edition of L70W6DF1F8ADDA for DIESEL AMERICA.

Published : November, 2015

# Contents

OCC50-M00800

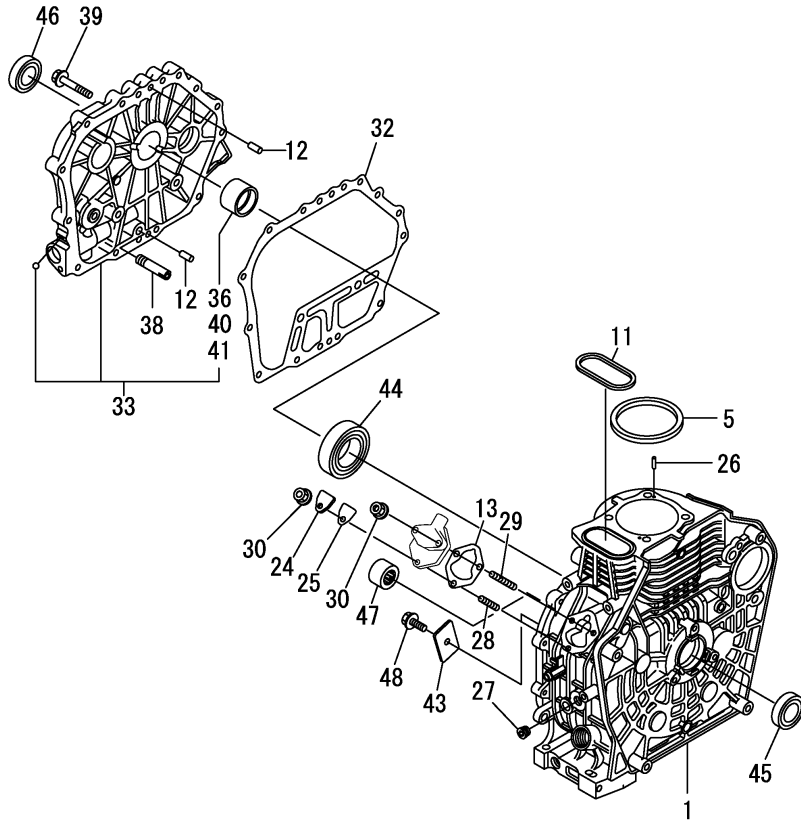
Fig. No. Fig. Name

Fig. No. Fig. Name

## ENGINE

1. CYLINDER BLOCK
2. DRAIN PLUG
3. LABEL
4. CYLINDER HEAD & BONNET
5. AIR CLEANER
6. EXHAUST MUFFLER
7. CAMSHAFT
8. CRANKSHAFT
9. FLYWHEEL
10. PISTON & CONNECTING ROD
11. BALANCER SHAFT
12. LUB. OIL PUMP & GOVERNOR
13. SWITCH CAP(OIL PRESSURE)
14. COVER
15. COOLING FAN CASE
16. FUEL INJECTION PUMP & FUEL INJECTION VALVE
17. FUEL TANK & FUEL PIPE
18. CONTROL DEVICE
19. RECOIL STARTER
20. GASKET SET

Fig.1. CYLINDER BLOCK



(A)=L70W6DF1F8ADDA  
(B)=  
(C)=

(D)=  
(E)=  
(F)=

No.	Lev.	Parts No.	Description	Q'ty						I	R
				(A)	(B)	(C)	(D)	(E)	(F)		
1	1	1142A0-01010	BLOCK ASSY, CYLINDER	1							
5	1	114395-01331	GASKET, HEAD	1							
11	1	114399-01380	O-RING	1							
12	1	114299-01600	PIN, 8X12	2							
13	1	114299-01800	SHIM SET	1							
24	1	114299-01830	COVER	1							
25	1	114250-01841	GASKET	1							
26	1	22312-040080	PIN, PARALLEL M4X 8	2							
27	1	23875-020000	PLUG, R02	1							
28	1	26226-060182	STUD, M6X 18	1							
29	1	26226-060222	STUD, M6X 22	2							
30	1	26366-060002	NUT, M6	3							
32	1	114399-01410	GASKET, CRANK CASE	1							
33	1	114210-01450	COVER(E-D,CRANK CASE	1							
36	2	114350-02100	BEARING, MAIN	1							1
38	1	114299-35150	PIPE, OIL INLET	1							
39	1	26106-080352	BOLT, M8X 35 PLATED	15							
40	1	114350-02200	BEARING, 0.25 US	1							2
41	1	114350-02210	BEARING, 0.50 US	1							3
43	1	114299-02030	RETAINER, BEARING	1							
44	1	114350-02113	BEARING, B35-135G3C3	1							
45	1	160110-02220	SEAL, OIL	1							
46	1	160110-02220	SEAL, OIL	1							
47	1	24162-152116	BEARING, 152116	1							
48	1	26106-080122	BOLT, M8X 12 PLATED	1							

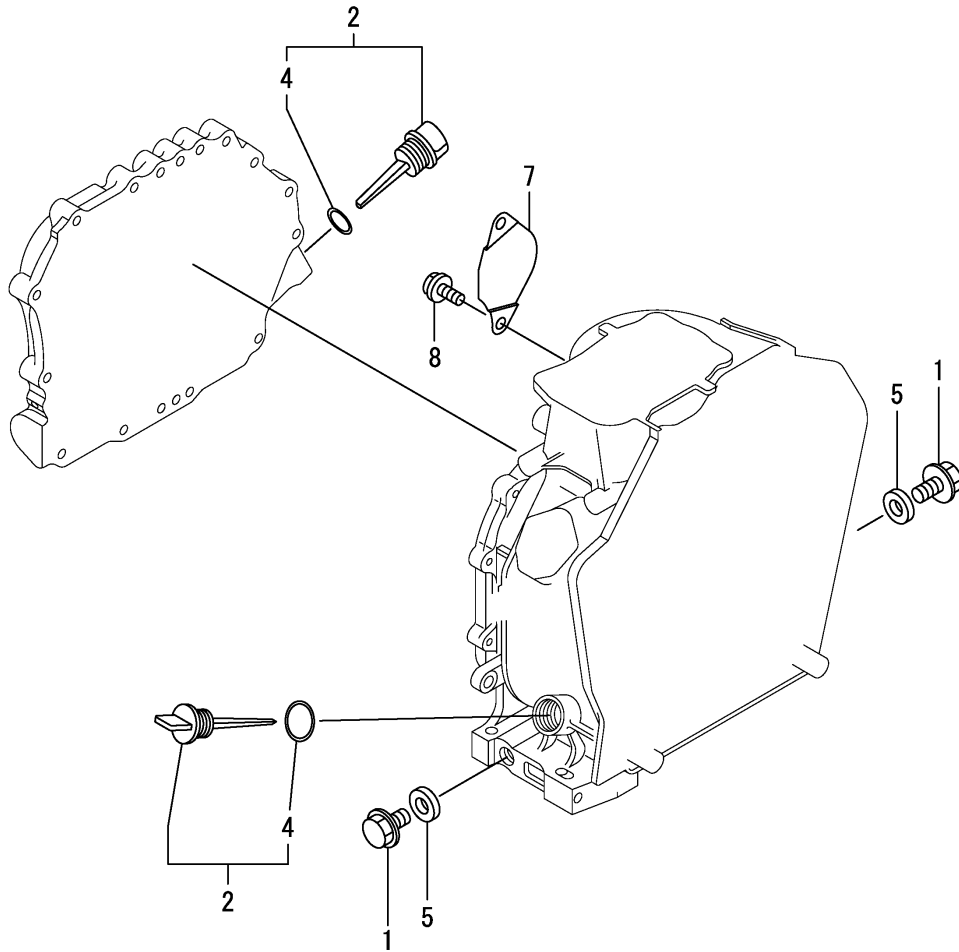
Remarks

- (1) Spare parts.
- (2) Under-sized(U.S.=0.25) parts.
- (3) Under-sized(U.S.=0.50) parts.

Fig.2. DRAIN PLUG

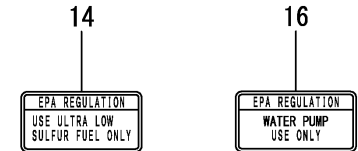
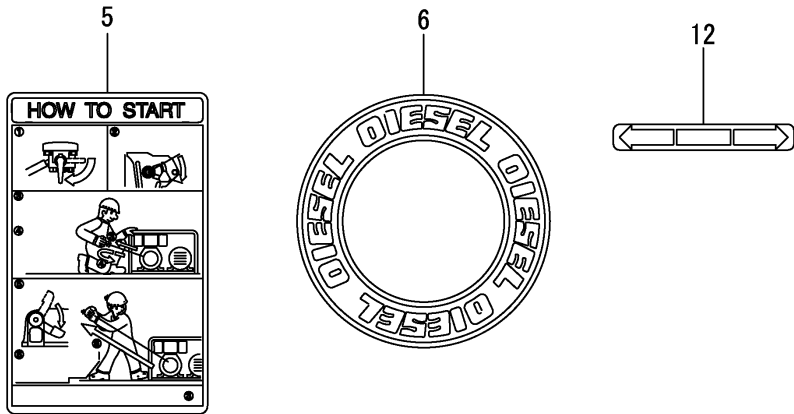
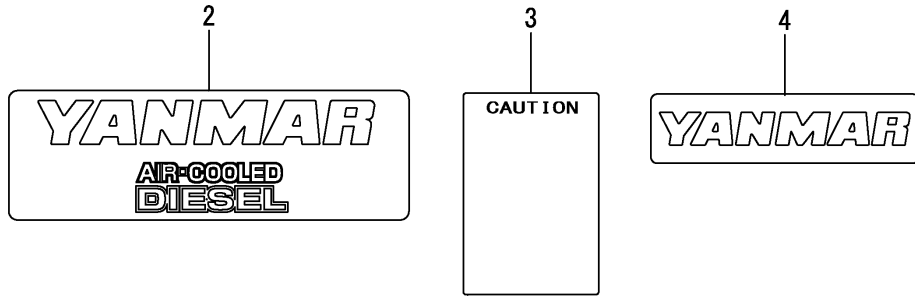
(A)=L70W6DF1F8ADDA  
(B)=  
(C)=

(D)=  
(E)=  
(F)=



No.	Lev.	Parts No.	Description	Q'ty						I	R
				(A)	(B)	(C)	(D)	(E)	(F)		
1	1	114299-01690	PLUG M16	2							
2	1	114699-01760	CAP ASSY	2							
4	2	114299-01950	O-RING, 18	2							
5	1	22190-160002	WASHER, SEAL 16	2							
7	1	114399-01700	COVER, STARTER	1							
8	1	26106-100122	BOLT, M10X 12 PLATED	2							

Fig.3. LABEL

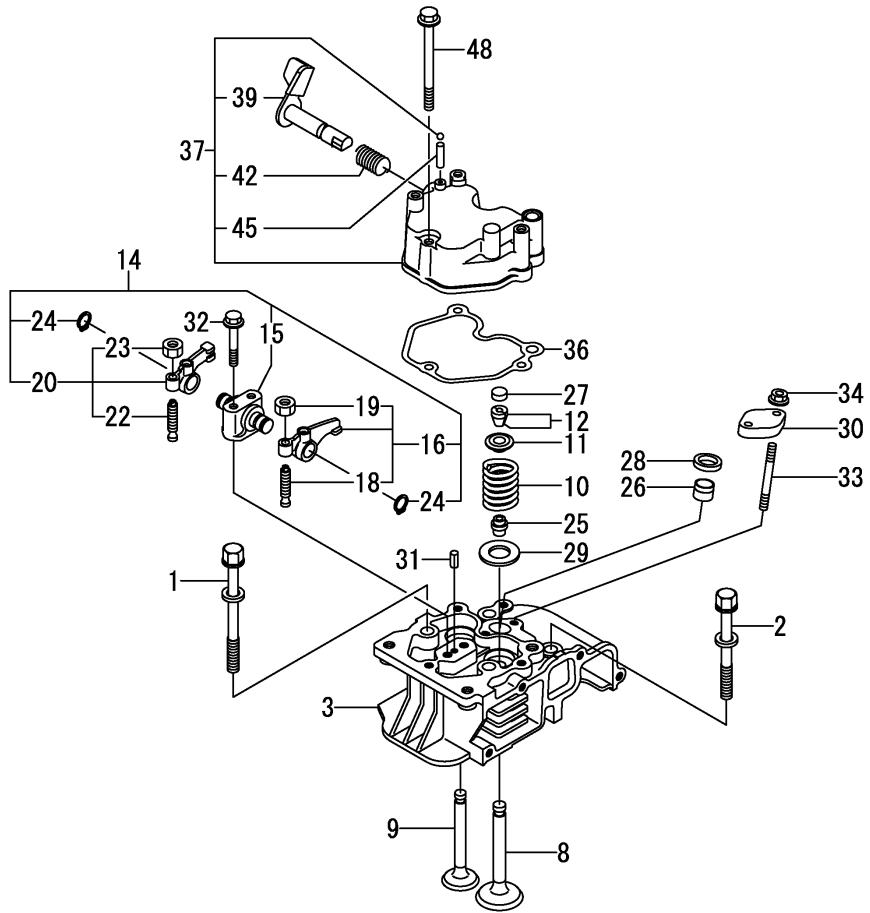


(A)=L70W6DF1F8ADDA  
(B)=  
(C)=

(D)=  
(E)=  
(F)=

No.	Lev.	Parts No.	Description	Q'ty						I	R
				(A)	(B)	(C)	(D)	(E)	(F)		
2	1	114299-07101	LABEL, YANMAR MARK A	1							
3	1	1142A0-07100	LABEL, CAUTION	1							
4	1	114299-07111	LABEL, YANMAR MARK B	1							
5	1	114210-07130	LABEL HOW TO START-E	1							
6	1	114299-07160	LABEL, DIESEL	1							
12	1	183250-07230	LABEL, OPERATION	1							
14	1	114110-07761	LABEL, FUEL OIL CAUT	1							
16	1	114110-07790	LABEL, WATER PUMP	1							

Fig.4. CYLINDER HEAD & BONNET

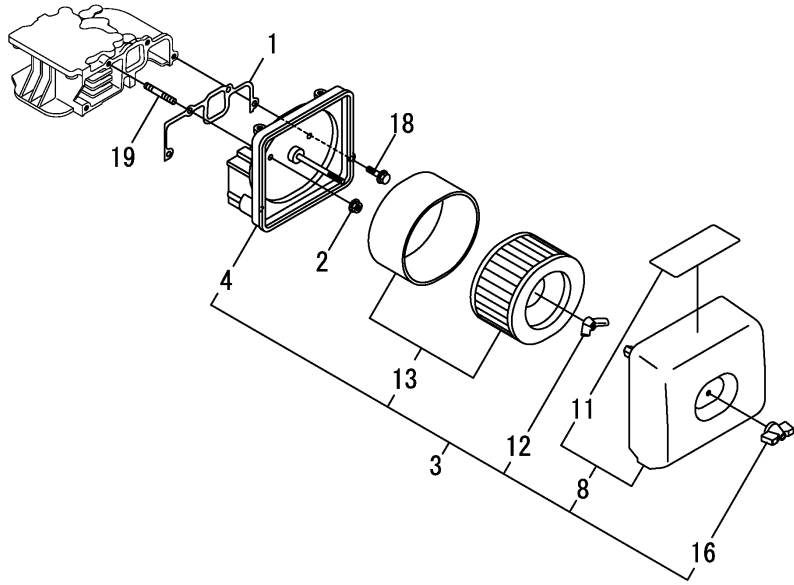


(A)=L70W6DF1F8ADDA  
(B)=  
(C)=

(D)=  
(E)=  
(F)=

No.	Lev.	Parts No.	Description	Q'ty						I	R
				(A)	(B)	(C)	(D)	(E)	(F)		
1	1	114210-01200	BOLT, CYL.HEAD A	2							
2	1	114210-01210	BOLT, CYL.HEAD B	2							
3	1	1142A0-11020	HEAD ASSY, CYLINDER	1							
8	1	11421C-11100	VALVE, INTAKE	1							
9	1	11421C-11110	VALVE, EXHAUST	1							
10	1	114210-11120	SPRING, VALVE	2							
11	1	114210-11180	RETAINER, SPRING	2							
12	1	114210-11930	COTTER ASSY	2							
14	1	11421C-11250	SUPPORT ASSY, ARM	1							
15	2	11421C-11260	SUPPORT, ROCKER ARM	1							
16	2	11421C-11650	ARM ASSY, ROCKER	1							
18	3	114250-11240	SCREW, VALVE ADJUST	1							
19	3	26856-060002	NUT, M6	1							
20	2	11421C-11660	ARM ASSY, ROCKER	1							
22	3	114250-11240	SCREW, VALVE ADJUST	1							
23	3	26856-060002	NUT, M6	1							
24	2	22242-000120	RING, 12	2							
25	1	114350-11341	SEAL, VALVE STEM	2							
26	1	114240-11450	PROTECTOR, NOZZLE	1							
27	1	105010-11490	CAP, VALVE	2							
28	1	114240-11550	SEAT, NOZZLE	1							
29	1	114299-11600	WASHER, VALVE SPRING	2							
30	1	114210-11901	RETAINER, NOZZLE	1							
31	1	22351-040008	PIN, SPRING 4.0X 8	1							
32	1	26106-060402	BOLT, M6X 40 PLATED	2							
33	1	26226-060552	STUD, M6X 55	2							
34	1	26366-060002	NUT, M6	2							
36	1	114210-11310	GASKET, BONNET	1							
37	1	114210-11950	BONNET ASSY, HEAD	1							
39	2	114210-03590	DECOMPRESSION ASSY	1							
42	2	114299-03640	SPRING,DECOMPRESSION	1							
45	2	22312-030160	PIN, PARALLEL M3X16	1							
48	1	26106-060552	BOLT, M6X 55 PLATED	3							

Fig.5. AIR CLEANER



(A)=L70W6DF1F8ADDA  
(B)=  
(C)=

(D)=  
(E)=  
(F)=

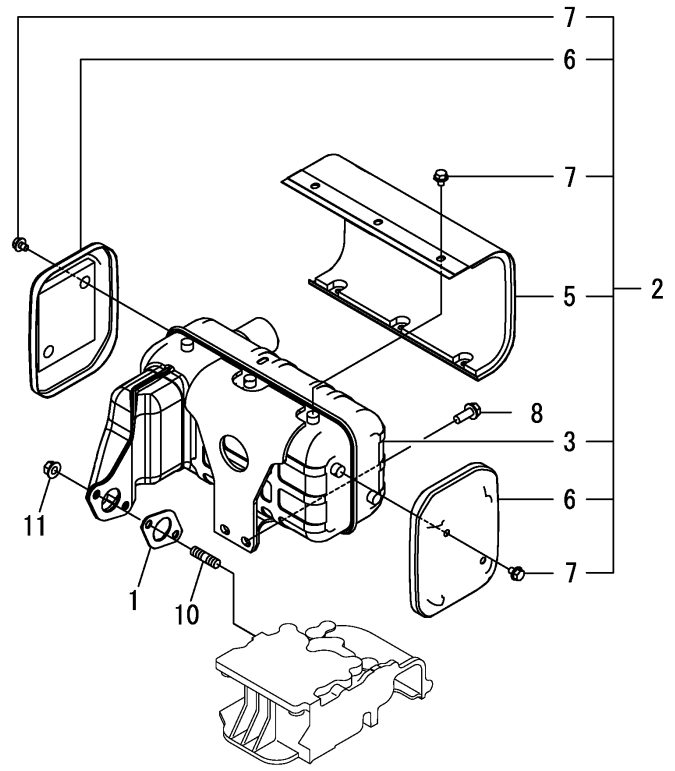
No.	Lev.	Parts No.	Description	Q'ty						I	R
				(A)	(B)	(C)	(D)	(E)	(F)		
1	1	114210-12210	GASKET, AIR CLEANER	1							
2	1	114299-12300	NUT	3							
3	1	114210-12511	CLEANER ASSY, AIR	1							
4	2	114210-12010	BODY ASSY, AIR CLNR	1							
8	2	114210-12500	COVER ASSY, AIR CLNR	1							
11	3	114210-12610	LABEL, AIR CLEANER	1							
12	2	114210-12560	NUT, WING	1							
13	2	114210-12590	ELEMENT ASSY, AIR	1							
16	2	114210-12600	LOCKING KNOB	1							
18	1	26106-060202	BOLT, M6X 20 PLATED	1							
19	1	26226-060302	STUD, M6X 30	3							



Fig.6. EXHAUST MUFFLER

(A)=L70W6DF1F8ADDA  
(B)=  
(C)=

(D)=  
(E)=  
(F)=

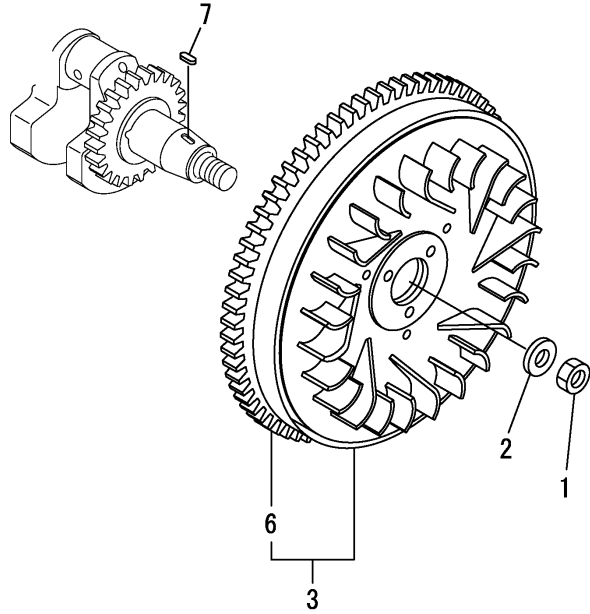


No.	Lev.	Parts No.	Description	Q'ty						I	R
				(A)	(B)	(C)	(D)	(E)	(F)		
1	1	114299-13200	GASKET, MUFFLER	1							
2	1	1142A0-13500	MUFFLER ASSY	1							
3	2	1142A0-13560	MUFFLER	1							
5	2	1143A0-13700	COVER, MUFFLER A	1							
6	2	1143A0-13710	COVER, MUFFLER B	2							
7	2	114252-13950	BOLT, M6X8	10							
8	1	26106-080202	BOLT, M8X 20 PLATED	2							
10	1	26216-080182	STUD, M8X 18	2							
11	1	26306-080002	NUT, M8	2							





Fig.9. FLYWHEEL

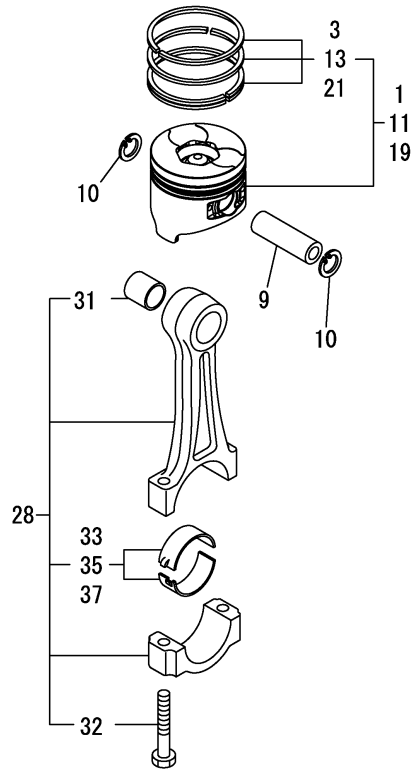


(A)=L70W6DF1F8ADDA  
(B)=  
(C)=

(D)=  
(E)=  
(F)=

No.	Lev.	Parts No.	Description	Q'ty						I	R
				(A)	(B)	(C)	(D)	(E)	(F)		
1	1	114299-21220	NUT	1							
2	1	114299-21550	WASHER	1							
3	1	114399-21590	FLYWHEEL ASSY	1							
6	2	114399-21600	GEAR, RING	1							
7	1	22512-040120	KEY, 4X 12	1							

Fig.10. PISTON & CONNECTING ROD



(A)=L70W6DF1F8ADDA  
(B)=  
(C)=

(D)=  
(E)=  
(F)=

No.	Lev.	Parts No.	Description	Q'ty						I	R
				(A)	(B)	(C)	(D)	(E)	(F)		
1	1	714210-22721	PISTON ASSY, D	1							
3	2	714870-22502	RING SET, PISTON	1							
9	1	114399-22300	PIN, PISTON D=21	1							
10	1	22252-000210	RING, 21	2							
11	1	114240-22040	PISTON W/RING .25OS	1							1
13	2	114220-22140	RING SET O.S.=0.25	1							1
19	1	114240-22050	PISTON W/RING .50OS	1							2
21	2	114220-22150	RING SET O.S.=0.50	1							2
28	1	71421C-23010	ROD ASSY, CONNECTING	1							
31	3	114380-23100	BEARING, PISTON PIN	1							
32	3	118200-23200	BOLT, CONNECTING ROD	2							
33	2	114210-23600	BEARING, CRANK PIN	1							
35	1	114210-23610	BEARING,PIN(U.S.=0.25	1							3
37	1	114210-23620	BEARING,PIN(U.S.=0.50	1							4

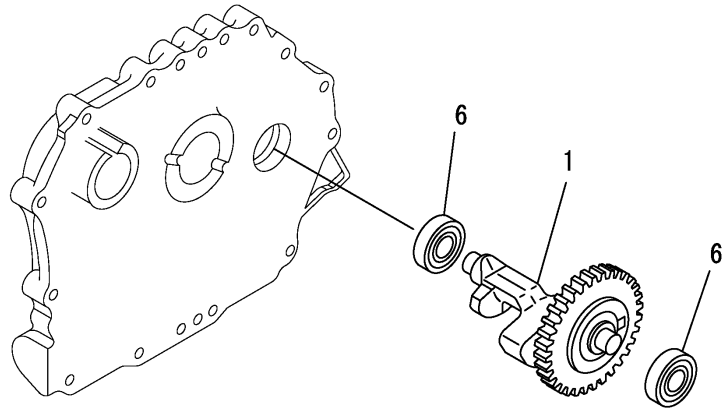
Remarks

- (1)Over-sized(O.S.=0.25) parts.
- (2)Over-sized(O.S.=0.50) parts.
- (3)Under-sized(U.S.=0.25) parts.
- (4)Under-sized(U.S.=0.50) parts.

Fig.11. BALANCER SHAFT

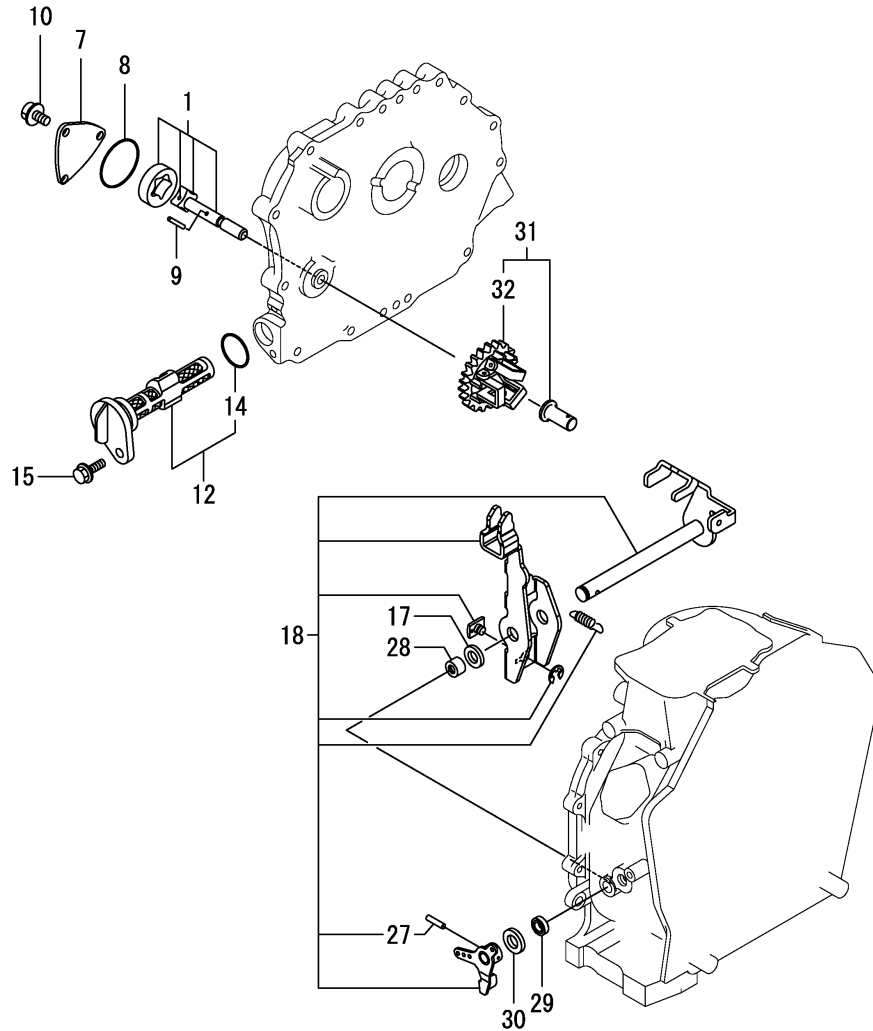
(A)=L70W6DF1F8ADDA  
 (B)=  
 (C)=

(D)=  
 (E)=  
 (F)=



No.	Lev.	Parts No.	Description	Q'ty						I	R
				(A)	(B)	(C)	(D)	(E)	(F)		
1	1	714210-28510	SHAFT ASSY, BALANCER	1							
6	1	114210-28050	BEARING, 6203 C0L	2							

Fig.12. LUB. OIL PUMP & GOVERNOR



(A)=L70W6DF1F8ADDA  
(B)=  
(C)=

(D)=  
(E)=  
(F)=

No.	Lev.	Parts No.	Description	Q'ty						I	R
				(A)	(B)	(C)	(D)	(E)	(F)		
1	1	114250-32010	PUMP ASSY, OIL	1							
7	1	114299-32070	COVER	1							
8	1	114299-32570	O-RING	1							
9	1	22312-030160	PIN, PARALLEL M3X16	1							
10	1	26106-060122	BOLT, M6X 12 PLATED	3							
12	1	114299-35110	FILTER ASSY, OIL	1							
14	2	24341-000224	O-RING, 1AS22.4	1							
15	1	26106-060162	BOLT, M6X 16 PLATED	1							
17	1	114299-61190	WASHER	1							
18	1	114211-61500	LEVER ASSY, GOVERNOR	1							1
27	2	22322-030200	PIN, TAPER 3X20	1							
28	1	114770-61520	BEARING, NEEDLE	2							
29	1	114299-61600	SEAL, OIL	1							
30	1	114770-61610	WASHER, THRUST	1							
31	1	714210-61701	GOVERNOR ASSY	1							
32	2	114210-61290	WEIGHT ASSY,GOVERNOR	1							

Remarks

(1)On a guarantee of quality component part shall not be sold.

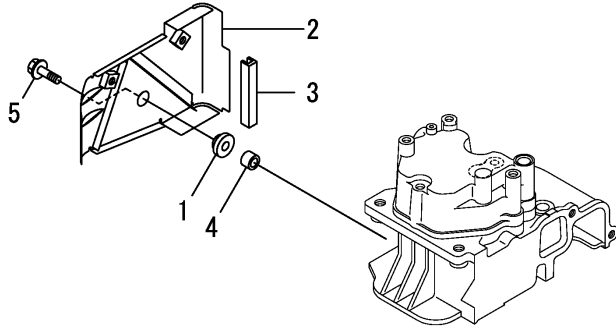




Fig.14. COVER

(A)=L70W6DF1F8ADDA  
(B)=  
(C)=

(D)=  
(E)=  
(F)=

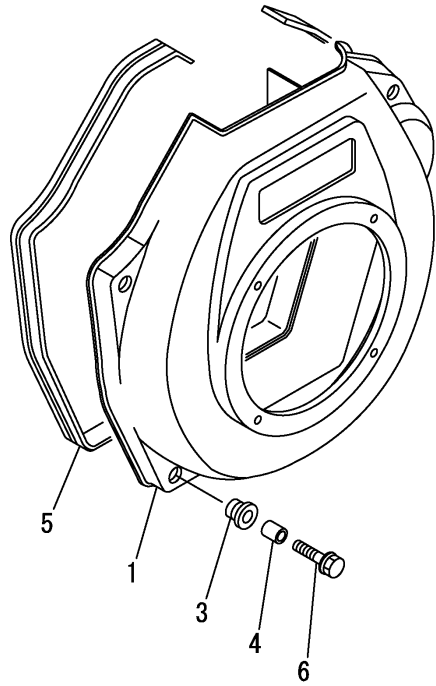


No.	Lev.	Parts No.	Description	Q'ty						I	R
				(A)	(B)	(C)	(D)	(E)	(F)		
1	1	114299-45220	GROMMET	1							
2	1	114210-45260	COVER B, SIDE (13)	1							
3	1	114399-45320	RUBBER, SEAL	1							
4	1	114399-45340	COLLAR	1							
5	1	26106-060202	BOLT, M6X 20 PLATED	1							

Fig.15. COOLING FAN CASE

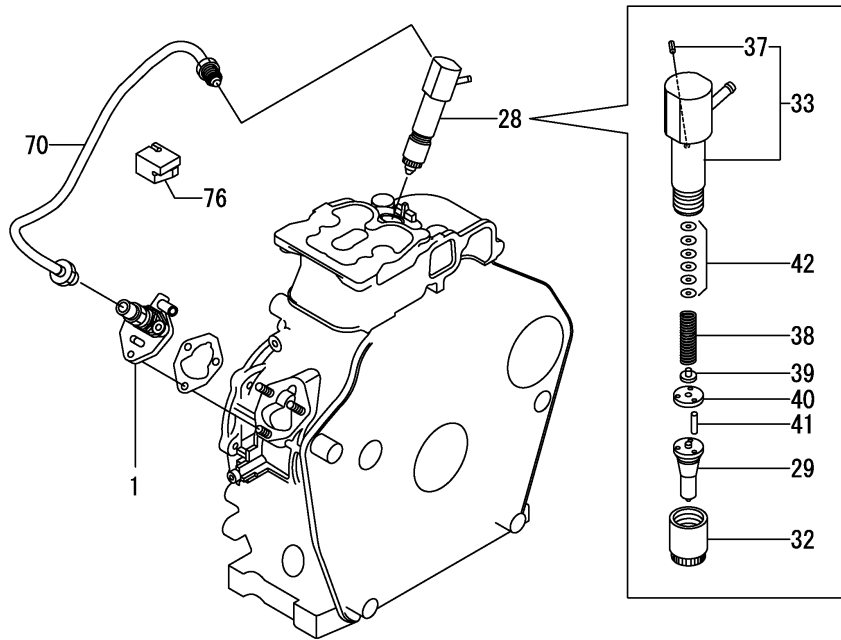
(A)=L70W6DF1F8ADDA  
(B)=  
(C)=

(D)=  
(E)=  
(F)=



No.	Lev.	Parts No.	Description	Q'ty						I	R
				(A)	(B)	(C)	(D)	(E)	(F)		
1	1	114210-45150	CASE, COOLING FAN	1							
3	1	114299-45301	RUBBER, CUSHION	4							
4	1	114299-45310	COLLAR	4							
5	1	114299-45331	SEAL, FAN CASE	1							
6	1	114299-45350	BOLT, FAN CASE	4							

Fig.16. FUEL INJECTION PUMP & FUEL INJECTION VALVE



(A)=L70W6DF1F8ADDA  
(B)=  
(C)=

(D)=  
(E)=  
(F)=

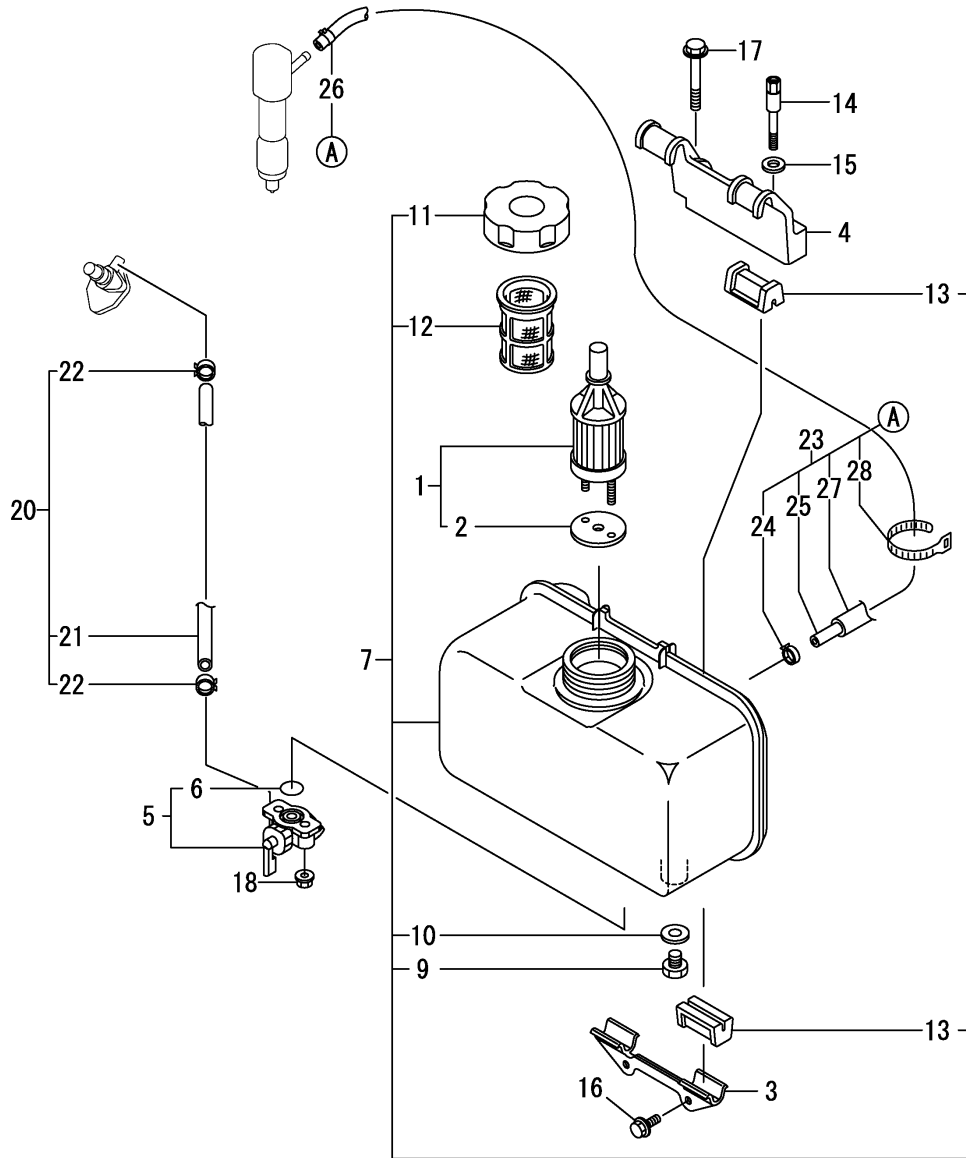
No.	Lev.	Parts No.	Description	Q'ty						I	R
				(A)	(B)	(C)	(D)	(E)	(F)		
1	1	714249-51400	PUMP ASSY, INJECTION	1							1
28	1	714249-53100	VALVE ASSY, INJECTION	1							
29	2	114249-53000	NOZZLE ASSY	1							
32	2	114250-53080	NUT, NOZZLE	1							
33	2	114339-53100	HOLDER ASSY, NOZZLE	1							
37	3	22351-025005	PIN, SPRING 2.5X 6	1							
38	2	114250-53120	SPRING, NOZZLE	1							
39	2	114250-53130	SEAT, SPRING	1							
40	2	114250-53140	SPACER	1							
41	2	114250-53210	PIN	2							
42	2	119803-53400	SHIM SET	1							
70	1	114210-59800	PIPE ASSY, INJECTION	1							
76	1	114210-59850	SUPPORT, INJ. PIPE	1							

Remarks

(1) On a guarantee of quality component parts shall not be sold.

N:Old  $\xrightarrow{\text{Yes}}$  New, Q:Old  $\xrightarrow{\text{No}}$  New, R:Old  $\xrightarrow{\text{Yes}}$  New, S:Old  $\xrightarrow{\text{No}}$  New, W:Add, Z:Discontinued, F:Interchangeable by set, K:Q'ty Change

Fig.17. FUEL TANK & FUEL PIPE



(A)=L70W6DF1F8ADDA

(B)=

(C)=

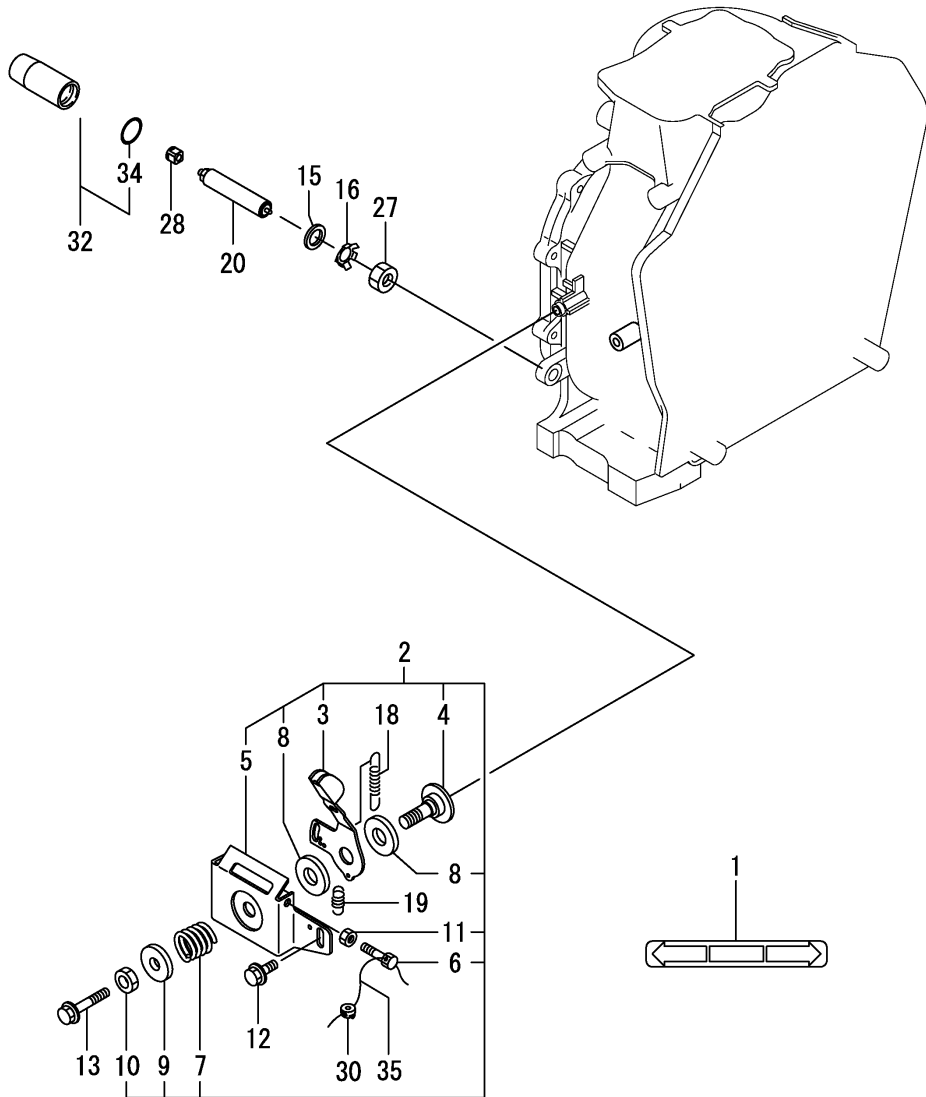
(D)=

(E)=

(F)=

No.	Lev.	Parts No.	Description	Q'ty						I	R
				(A)	(B)	(C)	(D)	(E)	(F)		
1	1	114250-55121	FILTER ASSY, FUEL	1							
2	2	114250-55130	GASKET	1							
3	1	114210-55210	STAY A, FUEL TANK	1							
4	1	114210-55230	STAY B, FUEL TANK	1							
5	1	114240-55300	COCK ASSY, FUEL	1							
6	2	24311-000125	O-RING, 1AP12.5	1							
7	1	11421C-55710	TANK ASSY, FUEL OIL	1							
9	2	114299-55080	PLUG, DRAIN	1							
10	2	23414-080000	GASKET, 8X1.0	1							
11	2	114299-55040	CAP ASSY, FUEL TANK	1							
12	2	114299-55100	ELEMENT, FUEL FILTER	1							
13	2	114250-55201	DAMPER, FUEL TANK	4							
14	1	114210-55810	BOLT, LIFTING	1							
15	1	22117-080000	WASHER, 8	1							
16	1	26106-060162	BOLT, M6X 16 PLATED	2							
17	1	26106-080452	BOLT, M8X 45 PLATED	1							
18	1	26366-060002	NUT, M6	2							
20	1	114780-59010	PIPE ASSY, FUEL L50	1							
21	2	114780-59060	PIPE, FUEL L=50	1							
22	2	23080-014000	CLAMP, 14	2							
23	1	114239-59300	PIPE ASSY, RETURN	1							
24	2	124722-59050	CLAMP, HOSE 9	1							
25	2	114650-59060	PIPE, FUEL RETURN	1							
26	2	124066-59100	CLAMP, HOSE 8	1							
27	2	114652-59310	TUBE, PROTECT	1							
28	2	121750-59890	BAND, NYLON	1							

Fig.18. CONTROL DEVICE



(A)=L70W6DF1F8ADDA  
(B)=  
(C)=

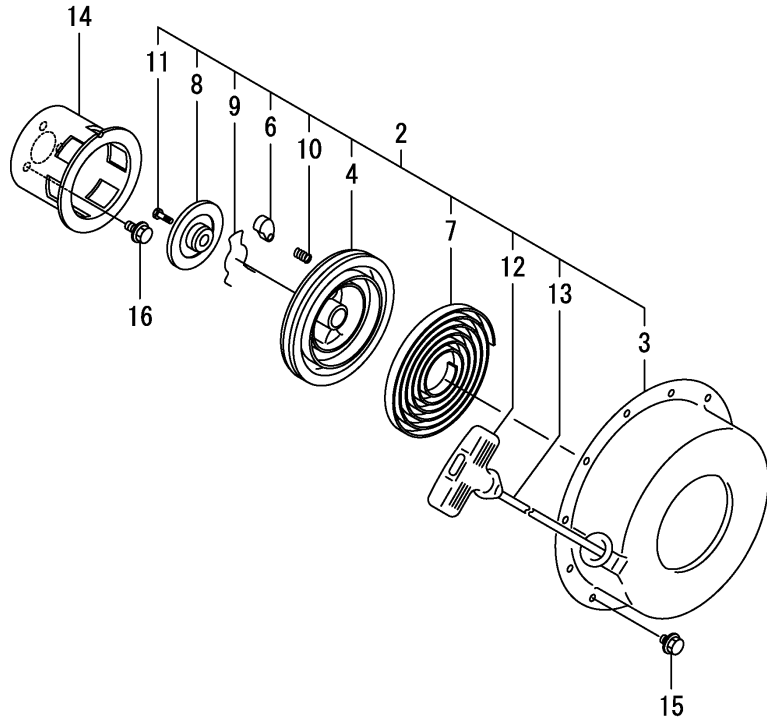
(D)=  
(E)=  
(F)=

No.	Lev.	Parts No.	Description	Q'ty						I	R
				(A)	(B)	(C)	(D)	(E)	(F)		
1	1	183250-07230	LABEL, OPERATION	1							
2	1	114210-66550	BRACKET ASSY	1							
3	2	114210-66070	HANDLE, REGULATOR	1							
4	2	183250-66070	SHAFT, HANDLE	1							
5	2	114210-66400	BRACKET, HANDLE	1							
6	2	114250-66440	BOLT, ADJUST	1							
7	2	104200-66820	SPRING	1							
8	2	104200-66831	PLATE, FRICTION	2							
9	2	104200-66850	WASHER	1							
10	2	26696-100002	NUT, LOCK M10	1							
11	2	26757-060002	NUT, LOCK M6	1							
12	1	26106-060142	BOLT, M6X 14 PLATED	1							
13	1	26106-060452	BOLT, M6X 45 PLATED	1							
15	1	114295-61810	WASHER, PLAIN 14	1							
16	1	114771-61830	PLATE	1							
18	1	114210-66010	SPRING, REGULATOR	1							
19	1	114299-66201	SPRING, RETURN	1							
20	1	1142A0-66600	LIMITER ASSY, FO	1							
27	1	114295-66690	NUT, M14X1.25	1							
28	1	1142A0-66700	CAP, FO LIMITER	1							
30	1	114780-61090	TIN	1							
32	1	114295-61980	PROTECTOR ASSY	1							
34	2	24311-000180	O-RING, 1AP18.0	1							
35	1	22451-060000	WIRE, 0.6	1							

Fig.19. RECOIL STARTER

(A)=L70W6DF1F8ADDA  
(B)=  
(C)=

(D)=  
(E)=  
(F)=

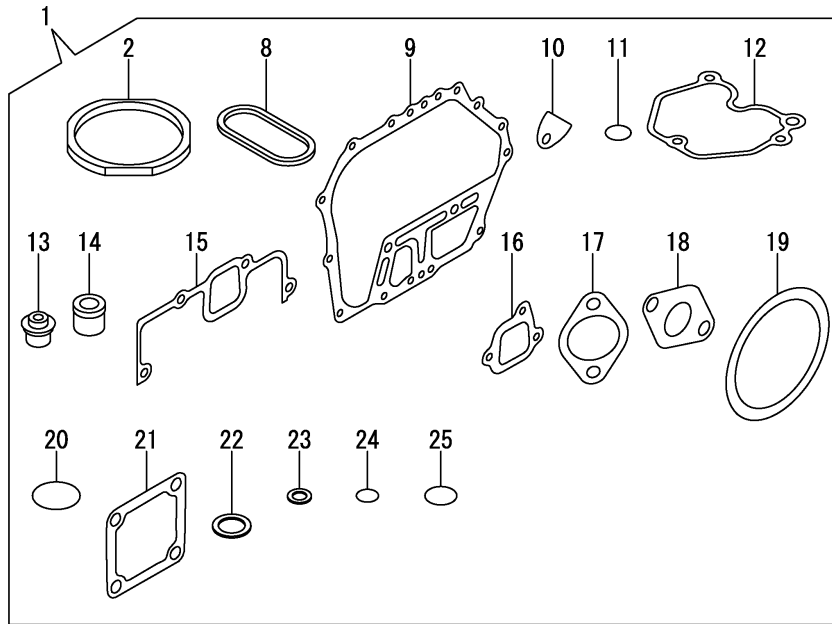


No.	Lev.	Parts No.	Description	Q'ty						I	R
				(A)	(B)	(C)	(D)	(E)	(F)		
2	2	114399-76251	RECOIL STARTER(D)ASY	1							
3	3	114399-76510	CASE, STARTER	1							
4	3	114399-76521	REEL, RECOIL	1							
6	3	114399-76531	RATCHET	1							
7	3	114399-76540	SPRING, SPIRAL	1							
8	3	114399-76550	COVER	1							
9	3	114399-76560	SPRING	1							
10	3	114399-76570	SPRING, RETURN	1							
11	3	114399-76580	SCREW	1							
12	3	114399-76620	KNOB, STARTER	1							
13	3	114399-76630	ROPE, STARTER	1							
14	2	114399-76590	PULLEY, STARTER	1							
15	1	26106-060082	BOLT, M6X 8 PLATED	4							
16	1	26106-060122	BOLT, M6X 12 PLATED	3							

Fig.20. GASKET SET

(A)=L70W6DF1F8ADDA  
(B)=  
(C)=

(D)=  
(E)=  
(F)=



No.	Lev.	Parts No.	Description	Q'ty						I	R
				(A)	(B)	(C)	(D)	(E)	(F)		
1	1	114220-92600	GASKET SET	1							1
2	2	114395-01331	GASKET, HEAD	1							
8	2	114399-01380	O-RING	1							
9	2	114399-01410	GASKET, CRANK CASE	1							
10	2	114250-01841	GASKET	1							
11	2	114299-01950	O-RING, 18	1							
12	2	114210-11310	GASKET, BONNET	1							
13	2	114350-11341	SEAL, VALVE STEM	1							
14	2	114771-11461	GASKET, NOZZLE	1							
15	2	114210-12210	GASKET, AIR CLEANER	1							
16	2	114299-12210	GASKET, AIR CLEANER	1							
17	2	114299-12920	GASKET, AIR CLEANER	1							
18	2	114299-13200	GASKET, MUFFLER	2							
19	2	114399-21980	GASKET	1							
20	2	114299-32570	O-RING	2							
21	2	129100-77510	GASKET, AIR HEATER	1							
22	2	22190-160002	WASHER, SEAL 16	1							
23	2	23414-080000	GASKET, 8X1.0	2							
24	2	24341-000150	O-RING, 1AS15.0	1							
25	2	24341-000224	O-RING, 1AS22.4	1							

Remarks

(1)Optional parts.

## Parts No. Index

Parts No.	Fig. No.	Ref. No.
104200-66820	18	7
104200-66831	18	8
104200-66850	18	9
105010-11490	4	27
114110-07761	3	14
114110-07790	3	16
114210-01200	4	1
114210-01210	4	2
114210-01450	1	33
114210-03590	4	39
114210-07130	3	5
114210-11120	4	10
114210-11180	4	11
114210-11310	4	36
	20	12
114210-11901	4	30
114210-11930	4	12
114210-11950	4	37
114210-12010	5	4
114210-12210	5	1
	20	15
114210-12500	5	8
114210-12511	5	3
114210-12560	5	12
114210-12590	5	13
114210-12600	5	16
114210-12610	5	11
114210-14200	7	6
114210-14300	7	7
114210-14400	7	12
114210-21750	8	1
114210-23600	10	33
114210-23610	10	35
114210-23620	10	37
114210-28050	11	6
114210-45150	15	1
114210-45260	14	2
114210-55210	17	3
114210-55230	17	4
114210-55810	17	14
114210-59800	16	70
114210-59850	16	76
114210-61290	12	32
114210-66010	18	18
114210-66070	18	3
114210-66400	18	5
114210-66550	18	2
114211-61500	12	18
11421C-11100	4	8
11421C-11110	4	9

Parts No.	Fig. No.	Ref. No.
11421C-11250	4	14
11421C-11260	4	15
11421C-11650	4	16
11421C-11660	4	20
11421C-55710	17	7
114220-22140	10	13
114220-22150	10	21
114220-92600	20	1
114239-59300	17	23
114240-11450	4	26
114240-11550	4	28
114240-22040	10	11
114240-22050	10	19
114240-55300	17	5
114249-53000	16	29
114250-01841	1	25
	20	10
114250-11240	4	18
		22
114250-32010	12	1
114250-53080	16	32
114250-53120	16	38
114250-53130	16	39
114250-53140	16	40
114250-53210	16	41
114250-55121	17	1
114250-55130	17	2
114250-55201	17	13
114250-66440	18	6
114252-13950	6	7
114295-61810	18	15
114295-61980	18	32
114295-66690	18	27
114299-01600	1	12
114299-01690	2	1
114299-01800	1	13
114299-01830	1	24
114299-01950	2	4
	20	11
114299-02030	1	43
114299-03640	4	42
114299-07101	3	2
114299-07111	3	4
114299-07160	3	6
114299-11600	4	29
114299-12210	20	16
114299-12300	5	2
114299-12920	20	17
114299-13200	6	1
	20	18

Parts No.	Fig. No.	Ref. No.
114299-21220	9	1
114299-21550	9	2
114299-32070	12	7
114299-32570	12	8
	20	20
114299-35110	12	12
114299-35150	1	38
114299-45220	14	1
114299-45301	15	3
114299-45310	15	4
114299-45331	15	5
114299-45350	15	6
114299-55040	17	11
114299-55080	17	9
114299-55100	17	12
114299-61190	12	17
114299-61600	12	29
114299-66201	18	19
1142A0-01010	1	1
1142A0-07100	3	3
1142A0-11020	4	3
1142A0-13500	6	2
1142A0-13560	6	3
1142A0-66600	18	20
1142A0-66700	18	28
114339-53100	16	33
114350-02100	1	36
114350-02113	1	44
114350-02200	1	40
114350-02210	1	41
114350-11341	4	25
	20	13
114380-23100	10	31
114395-01331	1	5
	20	2
114399-01380	1	11
	20	8
114399-01410	1	32
	20	9
114399-01700	2	7
114399-21590	9	3
114399-21600	9	6
114399-21980	20	19
114399-22300	10	9
114399-45320	14	3
114399-45340	14	4
114399-76251	19	2
114399-76510	19	3
114399-76521	19	4
114399-76531	19	6

Parts No.	Fig. No.	Ref. No.
114399-76540	19	7
114399-76550	19	8
114399-76560	19	9
114399-76570	19	10
114399-76580	19	11
114399-76590	19	14
114399-76620	19	12
114399-76630	19	13
1143A0-13700	6	5
1143A0-13710	6	6
114650-59060	17	25
114652-59310	17	27
114699-01760	2	2
114770-61520	12	28
114770-61610	12	30
114771-11461	20	14
114771-61830	18	16
114780-59010	17	20
114780-59060	17	21
114780-61090	18	30
118200-23200	10	32
119803-53400	16	42
121750-59890	17	28
124066-59100	17	26
124722-59050	17	24
129100-77510	20	21
160110-02220	1	45
		46
183250-07230	3	12
	18	1
183250-66070	18	4
22117-080000	17	15
22190-160002	2	5
	20	22
22242-000120	4	24
22252-000210	10	10
22312-030160	4	45
	12	9
22312-040080	1	26
22322-030200	12	27
22351-025005	16	37
22351-040008	4	31
22451-060000	18	35
22512-040120	9	7
23080-014000	17	22
23414-080000	17	10
	20	23
23875-020000	1	27
23876-010000	13	1
24162-152116	1	47



# Parts No. Index

Parts No.	Fig. No.	Ref. No.
24311-000125	17	6
24311-000180	18	34
24341-000150	20	24
24341-000224	12	14
	20	25
26106-060082	19	15
26106-060122	12	10
	19	16
26106-060142	18	12
26106-060162	12	15
	17	16
26106-060202	5	18
	14	5
26106-060402	4	32
26106-060452	18	13
26106-060552	4	48
26106-080122	1	48
26106-080202	6	8
26106-080352	1	39
26106-080452	17	17
26106-100122	2	8
26216-080182	6	10
26226-060182	1	28
26226-060222	1	29
26226-060302	5	19
26226-060552	4	33
26306-080002	6	11
26366-060002	1	30
	4	34
	17	18
26696-100002	18	10
26757-060002	18	11
26856-060002	4	19
		23
714210-14580	7	1
714210-22721	10	1
714210-28510	11	1
714210-61701	12	31
71421C-23010	10	28
714249-51400	16	1
714249-53100	16	28
714870-22502	10	3

Parts No.	Fig. No.	Ref. No.
-----------	----------	----------

Parts No.	Fig. No.	Ref. No.
-----------	----------	----------

Parts No.	Fig. No.	Ref. No.
-----------	----------	----------