

0CC50-M00740EN

Introduction

1. This parts catalog is a first edition of the TF120DIH diesel engine.

	Date of issue	Remarks
First edition	Mar., 2016	

2. This parts catalog does not contain the technical data needed for maintenance service.

3. The illustrations used in this parts catalog have been simplified for clarity.

4. The contents of this parts catalog are subject to change without notice.

5. Be sure to use only Yanmar genuine parts for repairs. If imitation parts are used, it may cause engine defects.

Contents

OCC50-M00740

Fig. No. Fig. Name

Fig. No. Fig. Name

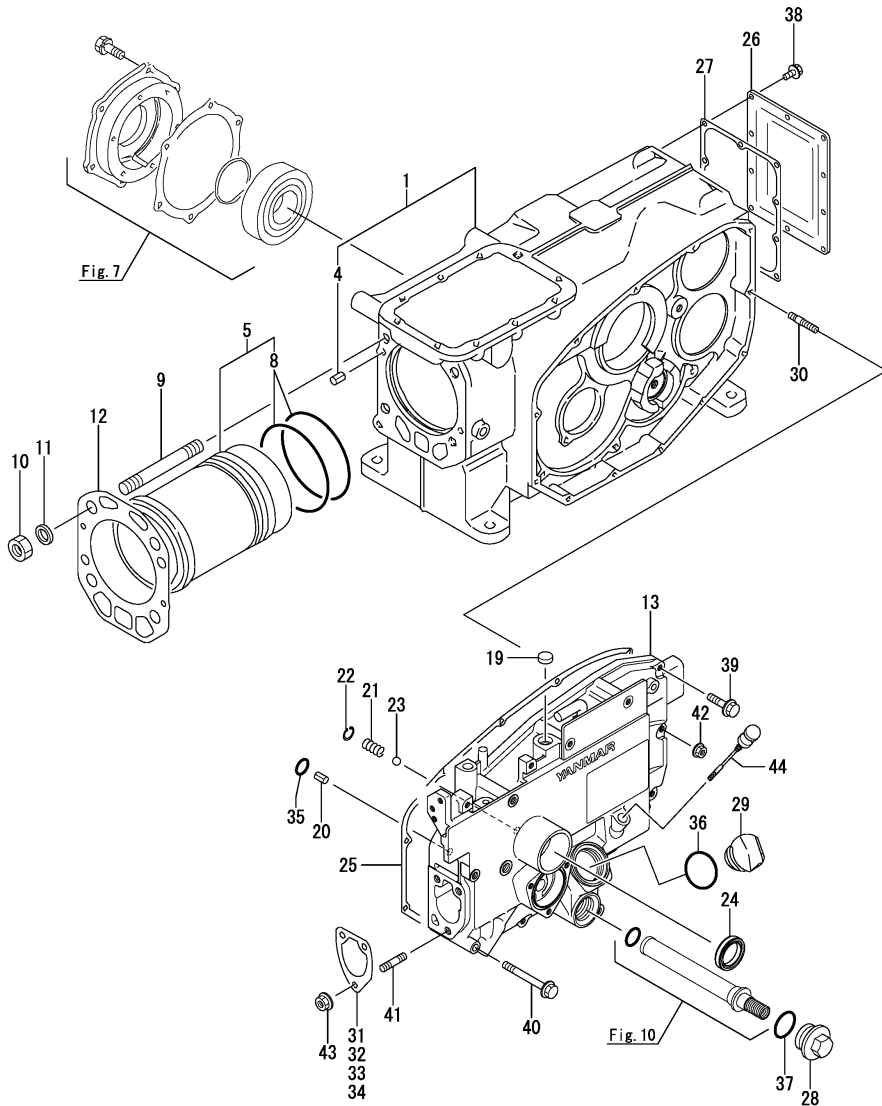
TF120DIH

1. CYLINDER BLOCK
2. BREATHER
3. ENGINE BED
4. CYLINDER HEAD & BONNET
5. AIR CLEANER & MUFFLER
6. CAMSHAFT
7. CRANKSHAFT & FLYWHEEL
8. PISTON & CONNECTING ROD
9. BALANCER
10. LUB. OIL SYSTEM
11. HOPPER
12. FUEL INJECTION PUMP
13. FUEL INJECTION DEVICE
14. FUEL TANK
15. GOVERNOR & CONTROL EQUIPMENT
16. STARTING DEVICE
17. LABEL
18. TOOL
19. BUNDLED ITEMS
20. GASKET SET(OPTIONAL)

Fig.1. CYLINDER BLOCK

(A)=TF120DIH
(B)=
(C)=

(D)=
(E)=
(F)=



No.	Lev.	Parts No.	Description	Q'ty						I	R
				(A)	(B)	(C)	(D)	(E)	(F)		
1	1	105600-01560	BODY, CYLINDER SUB A	1							
4	2	22351-060012	PIN, SPRING 6.0X12	2							
5	1	10560H-01900	LINER,CYLINDER SUB A	1							
8	2	10550H-01300	O-RING, CYL. LINER	2							A
9	1	105500-01200	BOLT, HEAD	4							
10	1	104300-01220	NUT, CYLINDER HEAD	4							
11	1	103338-01240	WASHER	4							
12	1	105500-01331	GASKET, HEAD	1							A
13	1	10560H-01390	CASE ASSY, GEAR	1							
19	1	105100-01660	PLUG, 14	1							
20	1	22351-060012	PIN, SPRING 6.0X12	1							
21	1	105300-34040	SPRING	1							
22	1	22252-000100	RING, 10	1							
23	1	24190-120001	BALL, STEEL 3/8	1							
24	1	10571H-61250	SEAL,OIL START SHAFT	1							
25	1	105500-01410	GASKET	1							A
26	1	10550H-01481	COVER, REAR	1							
27	1	10550H-01490	GASKET, REAR COVER	1							
28	1	105300-01690	PLUG	1							
29	1	10540H-01751	CAP, FEEDER	1							
30	1	10530H-01800	BOLT	1							
31	1	10530H-01920	SHIM, T=0.3	1							
32	1	10530H-01950	SHIM, T=0.5	1							
33	1	10530H-01960	SHIM, T=0.4	1							
34	1	10530H-01970	SHIM, T=0.6	1							
35	1	24311-000060	O-RING, 1AP6.0	1							
36	1	24311-000320	O-RING, 1AP32.0	1							A
37	1	24321-000250	O-RING, 1AG25.0	1							
38	1	26106-060142	BOLT, M6X 14 PLATED	10							
39	1	26106-060252	BOLT, M6X 25 PLATED	6							
40	1	26106-060652	BOLT, M6X 65 PLATED	6							
41	1	26216-080222	STUD, M8X 22	3							
42	1	26366-060002	NUT, M6	1							
43	1	26366-080002	NUT, M8	3							
44	1	10530H-34850	DIPSTICK, OIL	1							

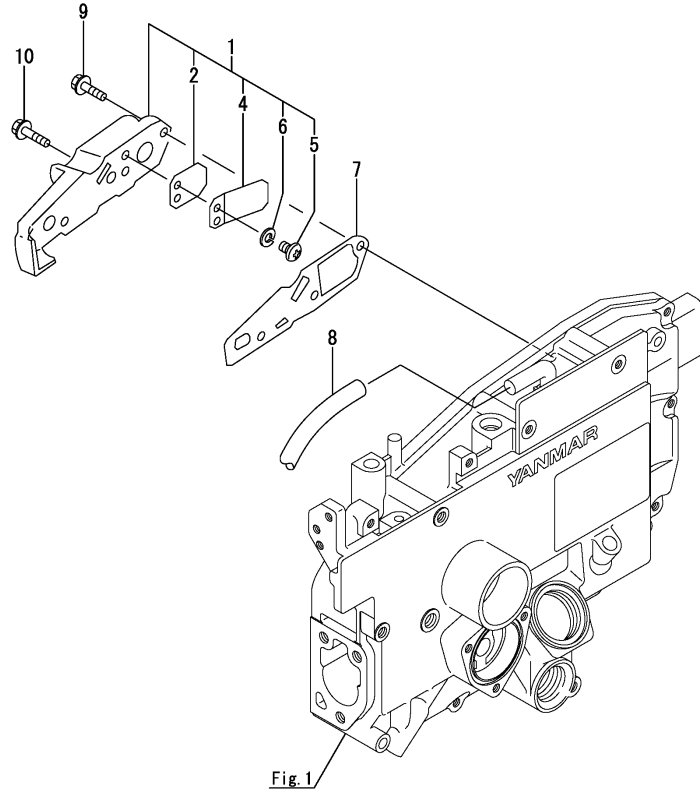
Remarks

(A)Gasket kit is shown in Fig.20.

Fig.2. BREATHER

(A)=TF120DIH
(B)=
(C)=

(D)=
(E)=
(F)=



No.	Lev.	Parts No.	Description	Q'ty						I	R
				(A)	(B)	(C)	(D)	(E)	(F)		
1	1	10550H-03070	COVER ASSY, BREATHER	1							
2	2	10537H-03060	VALVE, RETURN	1							
4	2	101158-03111	RETAINER	1							
5	2	105362-78960	SCREW, M4X8	2							
6	2	22217-040000	WASHER, SPRING 4	2							
7	1	105500-03130	GASKET, BREATHER	1							
8	1	23064-090330	HOSE, 9 X 330	1							
9	1	26106-060222	BOLT, M6X 22 PLATED	2							
10	1	26106-060252	BOLT, M6X 25 PLATED	1							

Fig.4. CYLINDER HEAD & BONNET

(A)=TF120DIH

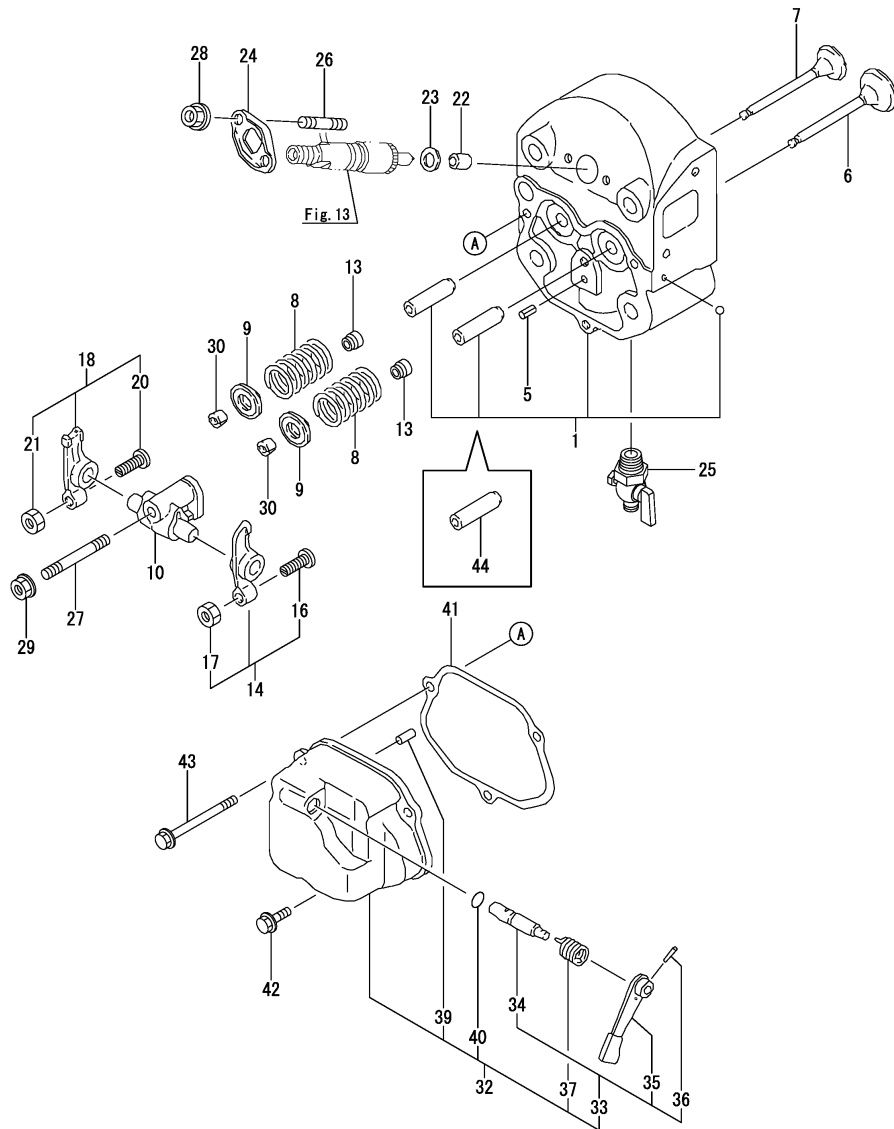
(B)=

(C)=

(D)=

(E)=

(F)=



No.	Lev.	Parts No.	Description	Q'ty						I	R
				(A)	(B)	(C)	(D)	(E)	(F)		
1	1	105500-11015	HEAD ASSY, CYLINDER	1							
5	1	22351-060012	PIN, SPRING 6.0X12	1							
6	1	105500-11100	VALVE, INTAKE	1							
7	1	105500-11111	VALVE, EXHAUST	1							
8	1	10557H-11120	SPRING, VALVE	2							
9	1	103338-11180	RETAINER, SPRING	2							
10	1	10550H-11290	SUPPORT ASSY, ARM	1							
13	1	105500-11340	SEAL, VALVE STEM	2							
14	1	10550H-11650	ARM ASSY, INTAKE	1							
16	2	101158-11230	SCREW, VALVE ADJUST	1							
17	2	26756-080002	NUT, LOCK M8	1							
18	1	10550H-11660	ARM ASSY, EXHAUST	1							
20	2	101158-11230	SCREW, VALVE ADJUST	1							
21	2	26756-080002	NUT, LOCK M8	1							
22	1	119625-11871	PROTECTOR, NOZZLE	1							A
23	1	119625-11880	SEAT, NOZZLE	1							
24	1	10530H-11900	RETAINER, VALVE	1							
25	1	105010-11920	COCK, WATER	1							
26	1	26216-060302	STUD, M6X 30	2							
27	1	26216-080502	STUD, M8X 50	1							
28	1	26366-060002	NUT, M6	2							
29	1	26366-080002	NUT, M8	1							
30	1	27310-080001	COTTER, 8	2							
32	1	10550H-11520	BONNET ASSY	1							
33	2	10530H-03550	LEVER ASSY, DECOMP.	1							
34	3	10530H-03610	SHAFT, DECOMP LEVER	1							
35	3	104104-03750	LEVER, DECOMPRESSION	1							
36	3	22322-030160	PIN, TAPER 3X16	1							A
37	2	104200-03641	SPRING, DECOMPRESSION	1							
39	2	22312-030180	PIN, PARALLEL M3X18	1							
40	2	24311-000070	O-RING, 1AP7.0	1							A
41	1	10550H-11310	GASKET	1							A
42	1	26106-060202	BOLT, M6X 20 PLATED	2							
43	1	26106-060702	BOLT, M6X 70 PLATED	1							
44	1	105600-11800	GUIDE, VALVE	2							1

Remarks

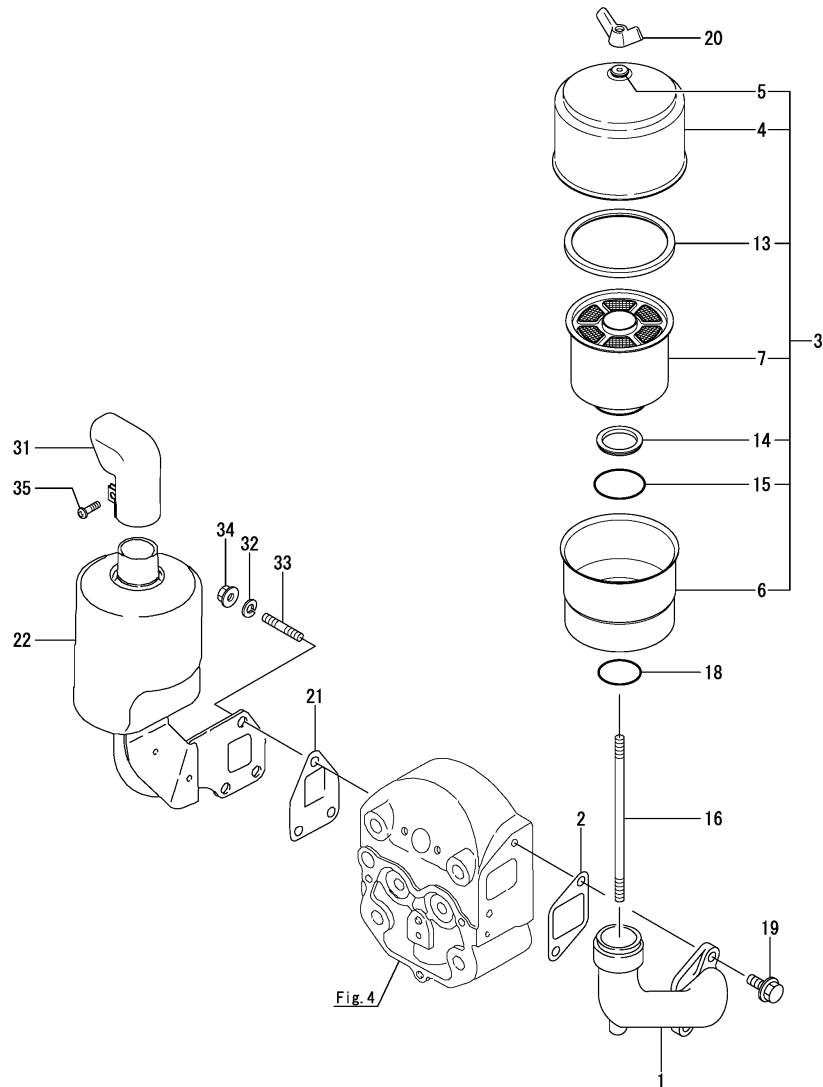
(A) Gasket kit is shown in Fig.20.

(1) Spare parts.

Fig.5. AIR CLEANER & MUFFLER

(A)=TF120DIH
(B)=
(C)=

(D)=
(E)=
(F)=



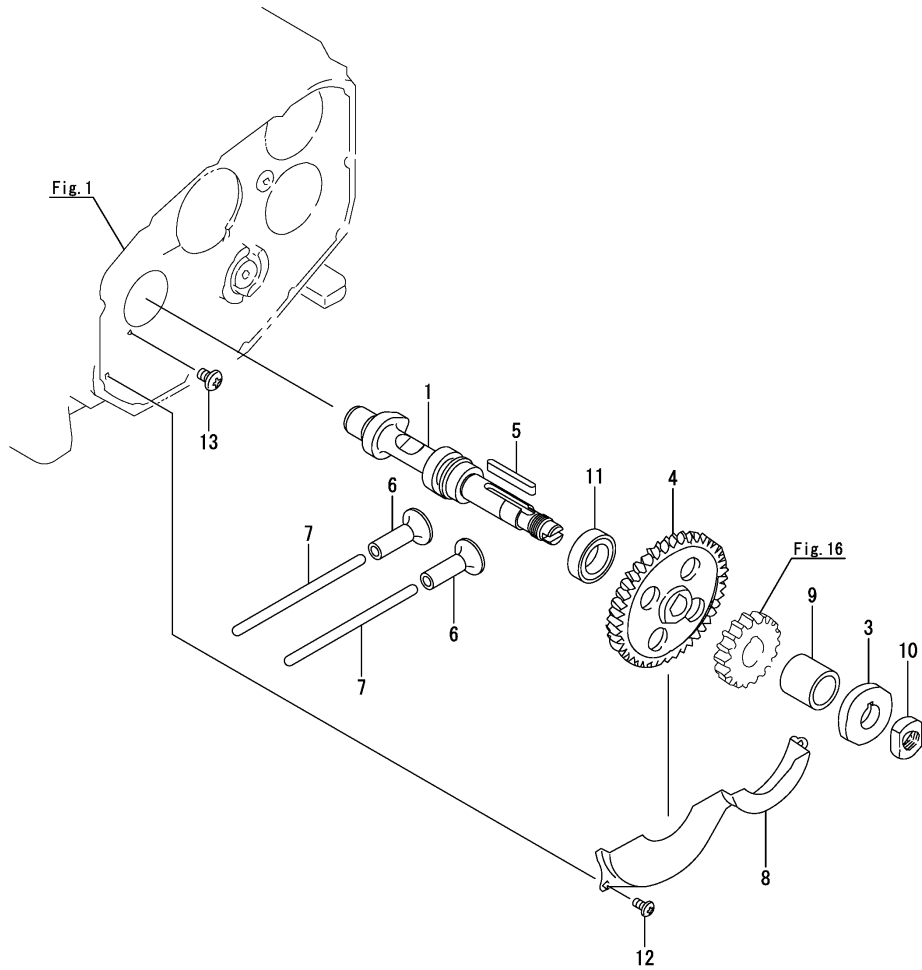
No.	Lev.	Parts No.	Description	Q'ty						I	R
				(A)	(B)	(C)	(D)	(E)	(F)		
1	1	10560H-12030	PIPE, INTAKE	1							
2	1	10550H-12060	PACKING, INLET TUBE	1							
3	1	10560H-12510	CLEANER ASSY, AIR	1							
4	2	10560H-12700	CAP, AIR CLEANER	1							
5	2	10570H-12710	WASHER, SEAL	1							
6	2	10560H-12750	BODY, AIR CLEANER	1							
7	2	10560H-12800	ELEMENT, CLEANER	1							
13	2	10550H-12851	RUBBER, NO1	1							
14	2	10530H-12860	RUBBER, NO2	1							
15	2	24351-350530	PACKING, 35053	1							
16	1	10570H-12551	BOLT	1							
18	1	24321-000450	O-RING, 1AG45.0	1							
19	1	26106-080202	BOLT, M8X 20 PLATED	2							
20	1	26636-080002	NUT, WING M8	1							
21	1	105500-13201	GASKET, SILENCER	1							A
22	1	10560H-13512	SILENCER	1							
31	1	10550H-13570	PIPE, EXHAUST	1							
32	1	22217-080000	WASHER, SPRING 8	3							
33	1	26216-080202	STUD, M8X 20	3							
34	1	26366-080002	NUT, M8	3							
35	1	26557-060202	SCREW, M6X20	1							

Remarks

(A)Gasket kit is shown in Fig.20.

N:Old $\xrightarrow{\text{Yes}}$ New, Q:Old $\xrightarrow{\text{No}}$ New, R:Old $\xrightarrow{\text{Yes}}$ New, S:Old $\xrightarrow{\text{No}}$ New, W:Add, Z:Discontinued, F:Interchangeable by set, K:Q'ty Change

Fig.6. CAMSHAFT



(A)=TF120DIH
(B)=
(C)=

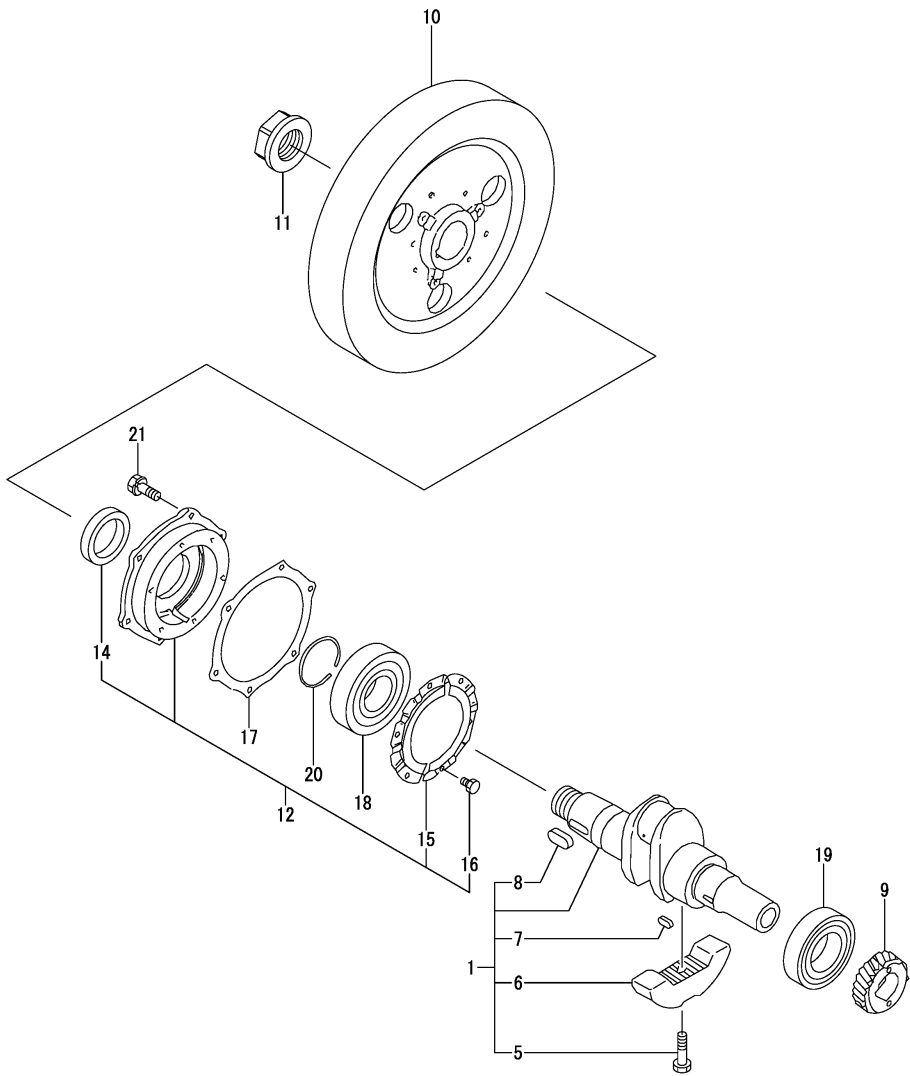
(D)=
(E)=
(F)=

No.	Lev.	Parts No.	Description	Q'ty						I	R
				(A)	(B)	(C)	(D)	(E)	(F)		
1	1	10557H-14010	CAMSHAFT	1							
3	1	105300-14090	CAM, FUEL	1							
4	1	10560H-14100	GEAR, CAMSHAFT	1							
5	1	10537H-14190	KEY, CAMSHAFT GEAR	1							
6	1	10530H-14200	TAPPET	2							
7	1	10550H-14400	ROD, PUSH	2							
8	1	10550H-14600	COVER	1							
9	1	105300-14700	SPACER	1							
10	1	104300-76460	NUT	1							
11	1	24101-060064	BEARING, BALL 6006	1							
12	1	26022-060122	SCREW, M6X12	3							
13	1	26587-080122	SCREW, M8X12	1							

Fig.7. CRANKSHAFT & FLYWHEEL

(A)=TF120DIH
(B)=
(C)=

(D)=
(E)=
(F)=



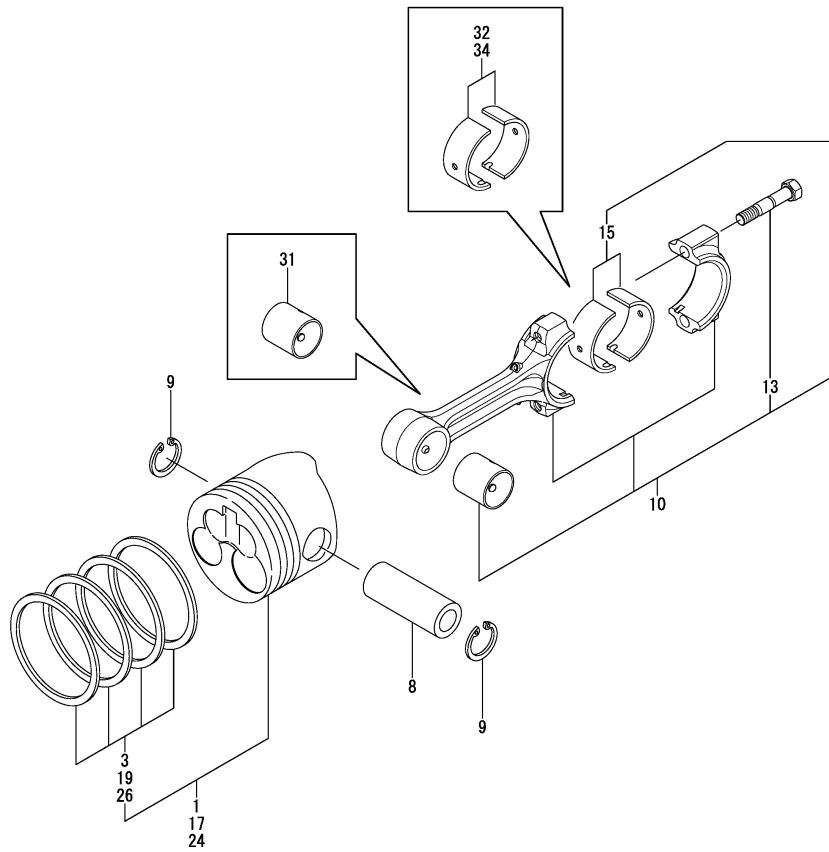
No.	Lev.	Parts No.	Description	Q'ty						I	R
				(A)	(B)	(C)	(D)	(E)	(F)		
1	1	10560H-21700	CRANKSHAFT SUB ASSY	1							
5	2	104271-21100	BOLT, BALANCE WEIGHT	2							
6	2	10550H-21100	WEIGHT, BALANCE	2							
7	2	10557H-21290	KEY, CRANKSHAFT GEAR	1							
8	2	10557H-21520	KEY, FLYWHEEL	1							
9	1	10560H-21200	GEAR, CRANKSHAFT	1							
10	1	10560H-21400	FLYWHEEL	1							
11	1	10550H-21530	NUT, END	1							
12	1	10560H-02500	HOUSING,MAIN METAL S	1							
14	2	10550H-02230	SEAL, OIL CRANKSHAFT	1							
15	2	10550H-02320	RETAINER	2							
16	2	26116-060102	BOLT, M6X 10 PLATED	6							
17	1	105500-02020	GASKET	1							A
18	1	10550H-02300	BEARING, BL310-G,3	1							
19	1	10560H-02310	BEARING, NF309-C3	1							
20	1	22242-000500	RING, 50	1							
21	1	26013-080202	BOLT, M8X 20	7							

Remarks
(A)Gasket kit is shown in Fig.20.

Fig.8. PISTON & CONNECTING ROD

(A)=TF120DIH
(B)=
(C)=

(D)=
(E)=
(F)=



No.	Lev.	Parts No.	Description	Q'ty						I	R
				(A)	(B)	(C)	(D)	(E)	(F)		
1	1	10567H-22190	PISTON ASSY	1							
3	2	10567H-22500	RING SET, PISTON	1							
8	1	105500-22300	PIN, PISTON	1							
9	1	105500-22400	CIRCLIP	2							
10	1	105500-23500	ROD SUB ASSY,CONNECT	1							
13	3	105500-23200	BOLT, CONNECTING ROD	2							
15	2	705500-23600	BEARING, CRANK PIN	1							
17	1	105600-22470	PISTON W/RING .25OS	1							1
19	2	105600-22510	RING SET, 0.25 OS	1							1
24	1	105600-22480	PISTON W/RING .50OS	1							2
26	2	105600-22520	RING SET, 0.50 OS	1							2
31	1	105500-23910	BEARING, PISTON PIN	1							3
32	1	705500-23610	BEARING ASSY, 0.25	1							4
34	1	705500-23620	BEARING, 0.50 US	1							5

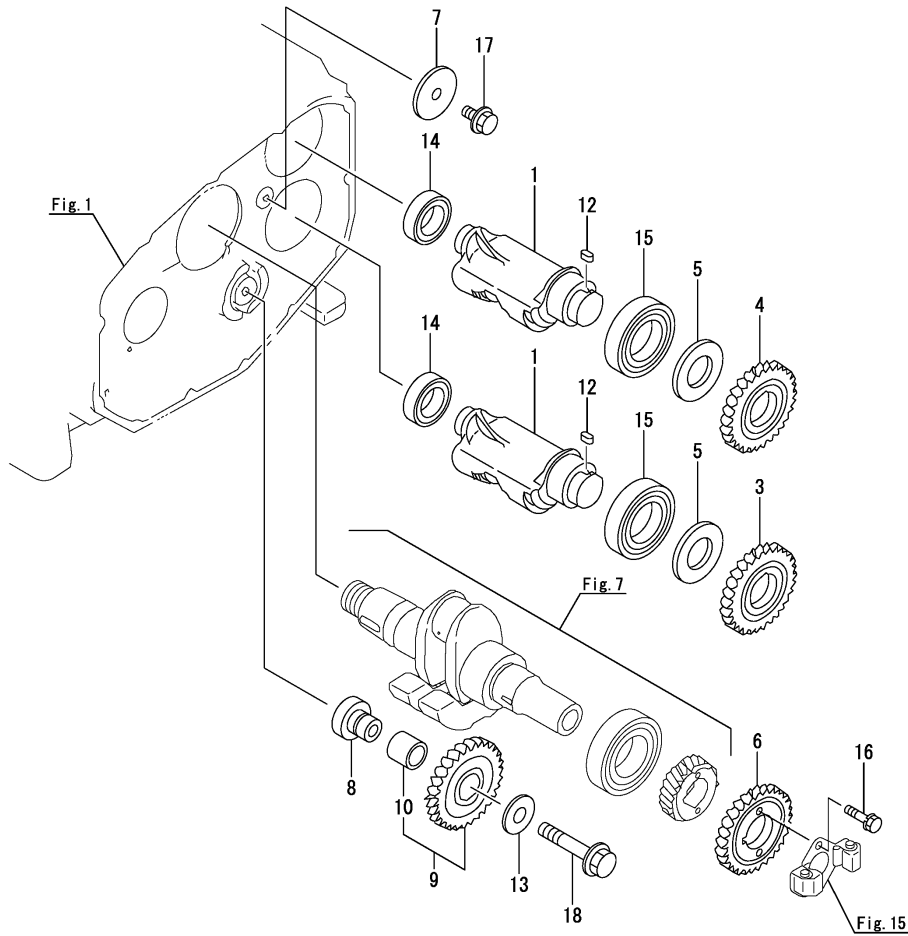
Remarks

- (1)Over-sized(O.S.=0.25) parts.
- (2)Over-sized(O.S.=0.5) parts.
- (3)Spare parts.
- (4)Under-sized(U.S.=0.25) parts.
- (5)Under-sized(U.S.=0.5) parts.

Fig.9. BALANCER

(A)=TF120DIH
(B)=
(C)=

(D)=
(E)=
(F)=

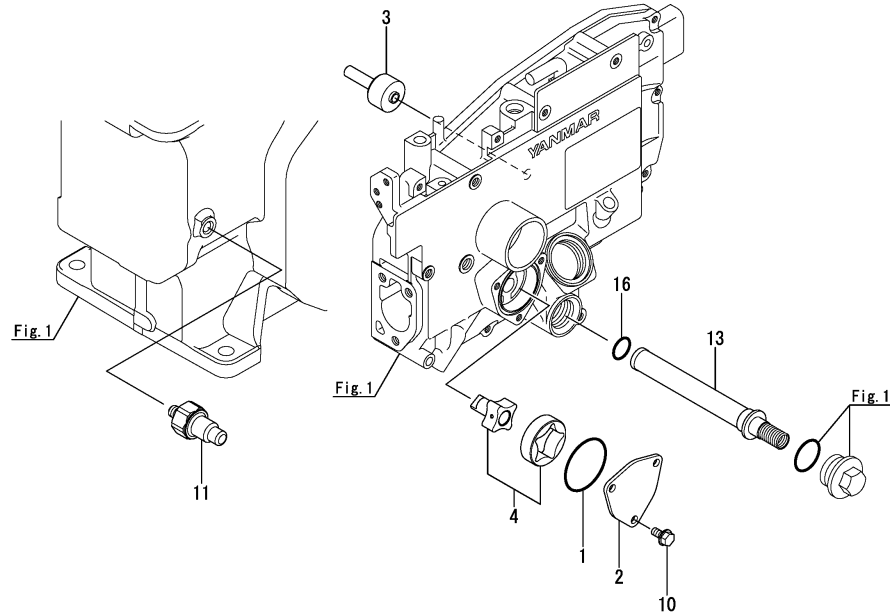


No.	Lev.	Parts No.	Description	Q'ty						I	R
				(A)	(B)	(C)	(D)	(E)	(F)		
1	1	105500-28251	SHAFT, BALANCER	2							
3	1	10560G-28300	GEAR, BALANCER	1							
4	1	10560G-28310	GEAR, BALANCER	1							
5	1	105500-28380	SPACER	2							
6	1	10560H-28410	GEAR, BALANCER	1							
7	1	105300-28450	RETAINER	1							
8	1	105300-28700	SHAFT	1							
9	1	10550G-28750	GEAR ASSY	1							
10	2	105430-28720	BUSH, IDLE GEAR	1							
12	1	105215-76490	KEY	2							
13	1	123672-83880	RETAINER	1							
14	1	24101-060054	BEARING, BALL 6005	2							
15	1	24101-060094	BEARING, BALL 6009	2							
16	1	26013-060222	BOLT, M6X 22	2							
17	1	26106-080142	BOLT, M8X 14 PLATED	1							
18	1	26106-100552	BOLT, M10X 55 PLATED	1							

Fig.10. LUB. OIL SYSTEM

(A)=TF120DIH
(B)=
(C)=

(D)=
(E)=
(F)=

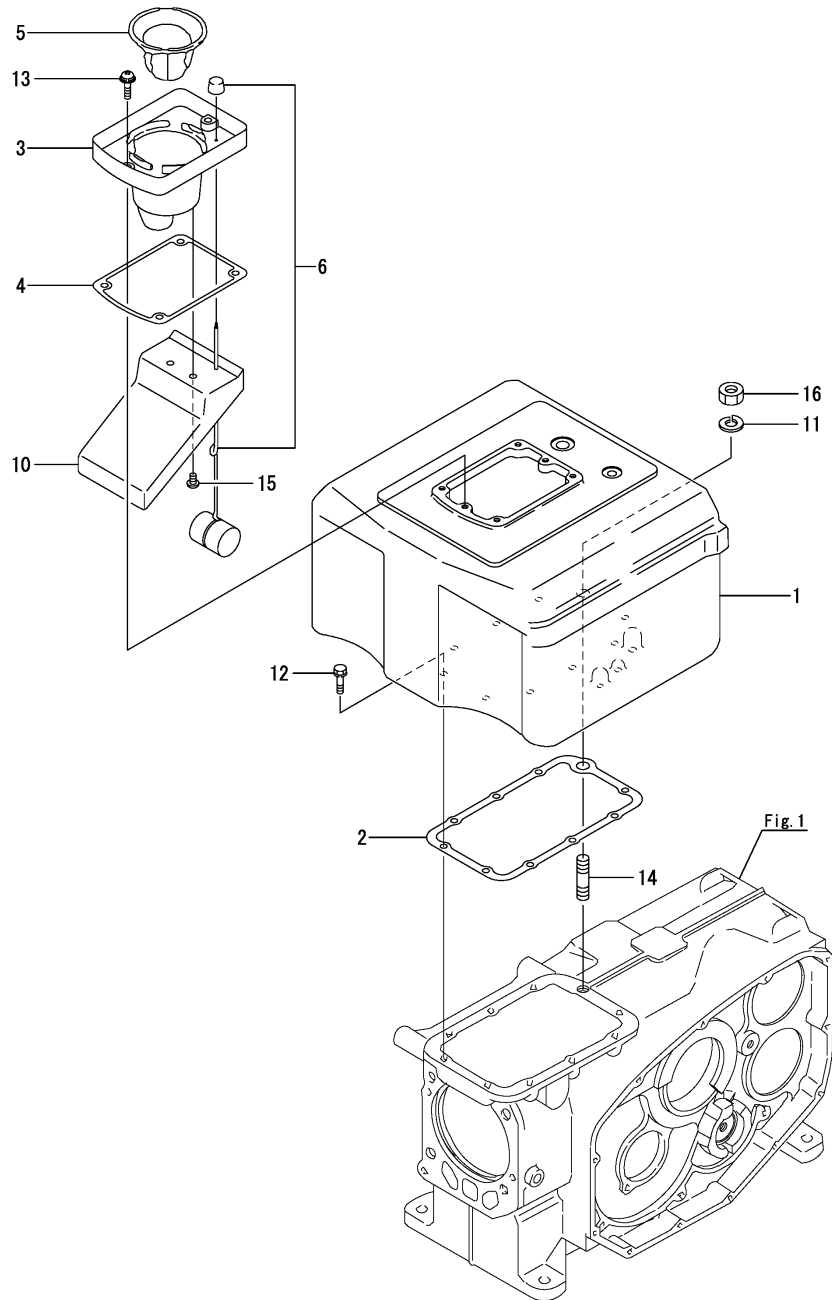


No.	Lev.	Parts No.	Description	Q'ty						I	R
				(A)	(B)	(C)	(D)	(E)	(F)		
1	1	103854-32051	O-RING	1							A
2	1	103854-32082	COVER	1							
3	1	10530H-32200	PIECE	1							
4	1	10537H-32500	PUMP, LUB.OIL CMP	1							
10	1	26106-060122	BOLT, M6X 12 PLATED	3							
11	1	105582-34100	SIGNAL	1							
13	1	105700-35052	STRAINER ASSY, OIL	1							
16	1	24341-000200	O-RING, 1AS20.0	1							A

Remarks

(A)Gasket kit is shown in Fig.20.

Fig.11. HOPPER



(A)=TF120DIH
(B)=
(C)=

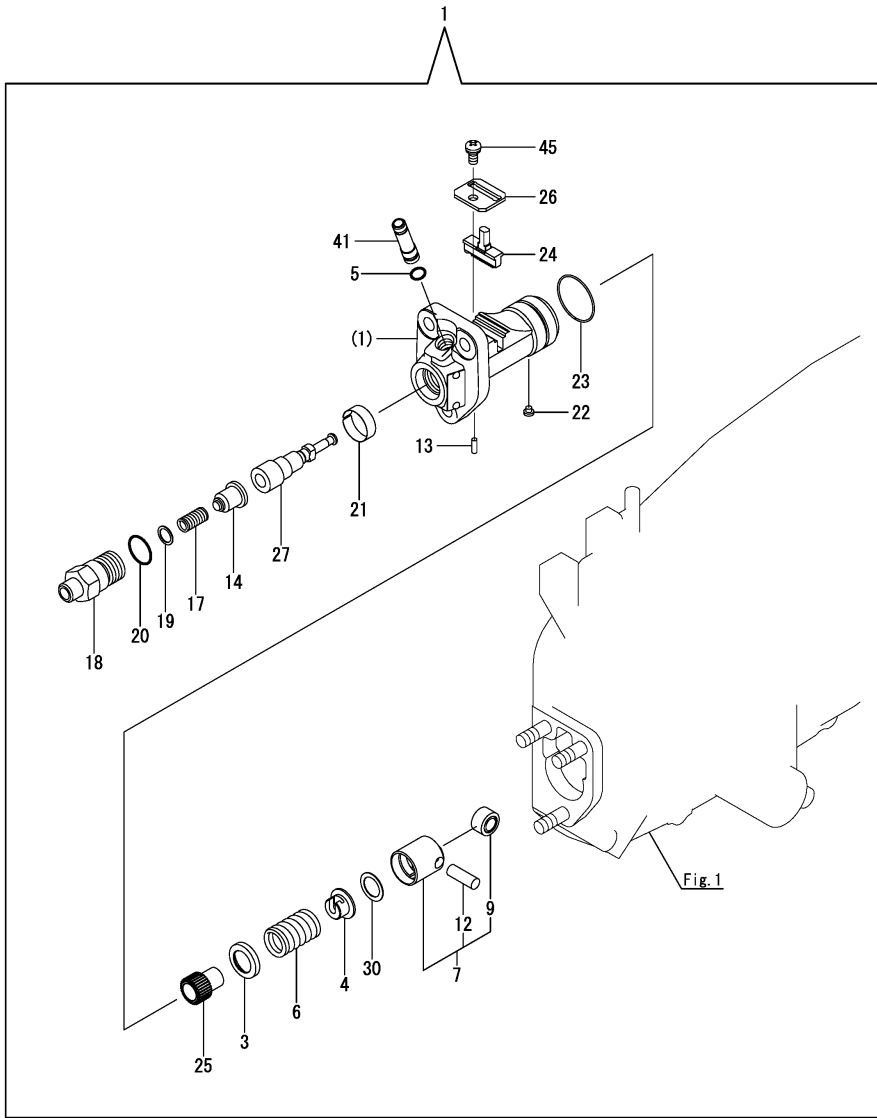
(D)=
(E)=
(F)=

No.	Lev.	Parts No.	Description	Q'ty						I	R
				(A)	(B)	(C)	(D)	(E)	(F)		
1	1	10560H-44020	HOPPER	1							
2	1	10550H-44050	PACKING, HOPPER	1							
3	1	104200-44100	CORE, HOPPER	1							
4	1	10530H-44110	PACKING, SCREEN	1							
5	1	101204-44142	SCREEN	1							
6	1	10530H-44190	FLOAT ASSY	1							
10	1	105306-44280	PLATE, BAFFLE	1							
11	1	22217-120000	WASHER, SPRING 12	1							
12	1	26013-060222	BOLT, M6X 22	9							
13	1	26023-060252	SCREW, M6X25	2							
14	1	26216-120302	STUD, M12X 30	1							
15	1	26557-060102	SCREW, M6X10	2							
16	1	26716-120002	NUT, M12	1							

Fig.12. FUEL INJECTION PUMP

(A)=TF120DIH
(B)=
(C)=

(D)=
(E)=
(F)=

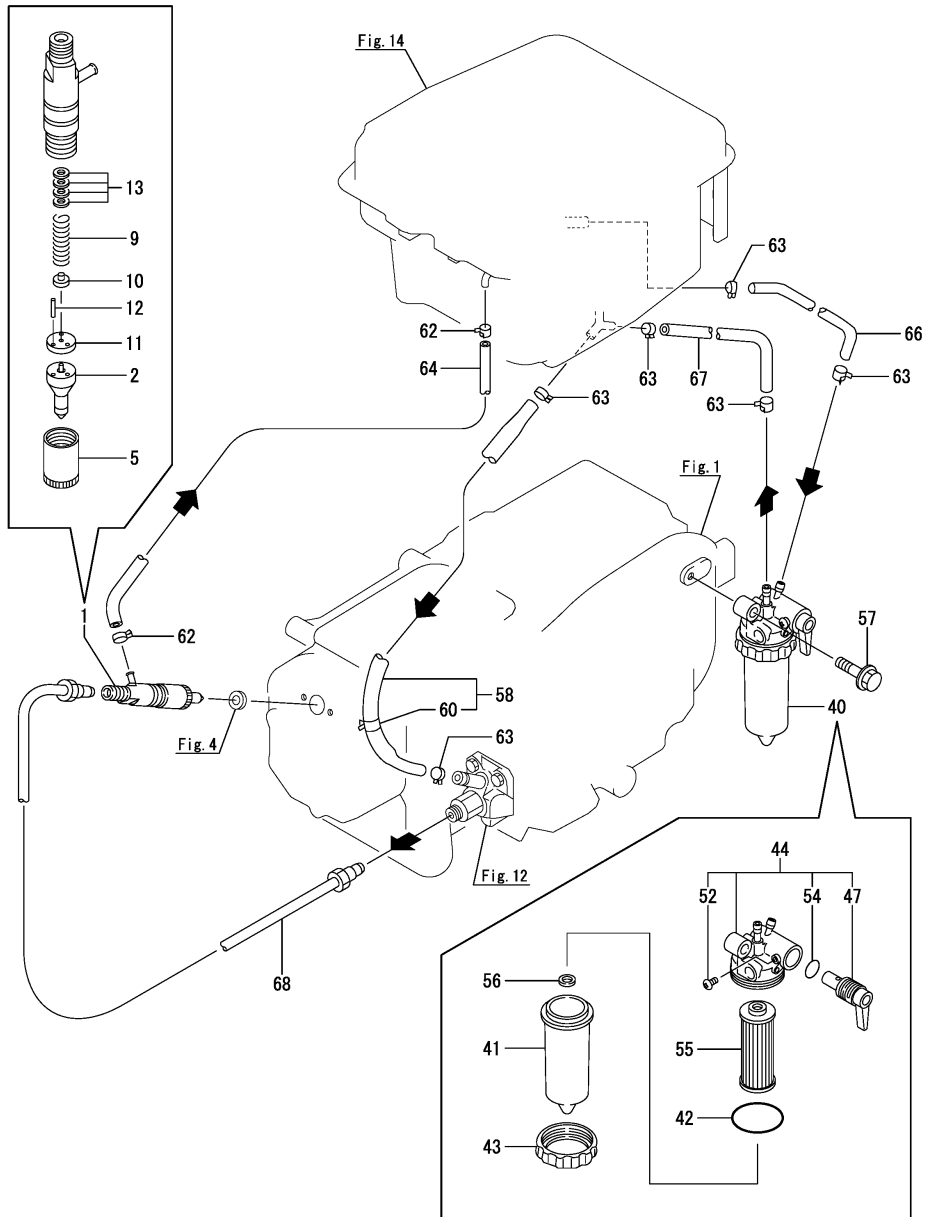


No.	Lev.	Parts No.	Description	Q'ty						I	R
				(A)	(B)	(C)	(D)	(E)	(F)		
1	1	705600-51103	FOP ASSY	1							
3	2	158600-51170	RETAINER, SPRING	1							
4	2	174307-51181	RETAINER, SPRING B	1							
5	2	114250-51190	O-RING, S27	1							
6	2	124950-51190	SPRING, PLUNGER	1							
7	2	724550-51520	GUIDE, PLUNGER	1							
9	3	711100-51540	ROLLER ASSY	1							
12	3	174100-54120	PIN, TAPPET ROLLER	1							
13	2	103854-51251	PIN, PLUNGER	1							
14	2	105300-51300	VALVE ASSY, DELIVERY	1							
17	2	124550-51320	SPRING, DELIVERY	1							
18	2	124550-51341	HOLDER, DELIVERY L43	1							
19	2	124550-51350	GASKET, DELIVERY	1							A
20	2	124550-51370	O-RING	1							A
21	2	105300-51400	DEFLECTOR	1							
22	2	104271-51450	PIECE, GUIDE	1							
23	2	104271-51460	CIRCLIP	1							
24	2	105300-51500	RACK, CONTROL	1							
25	2	105300-51510	PINION	1							
26	2	105300-51550	RETAINER, RACK	1							
27	2	105500-51600	PLUNGER ASSY	1							
30	2	174307-51700	SHIM SET, PLUNGER	1							
41	2	105300-51800	JOINT	1							
45	2	26022-050102	SCREW, M5X10	1							

Remarks

(A)Gasket kit is shown in Fig.20.

Fig.13. FUEL INJECTION DEVICE



(A)=TF120DIH
(B)=
(C)=

(D)=
(E)=
(F)=

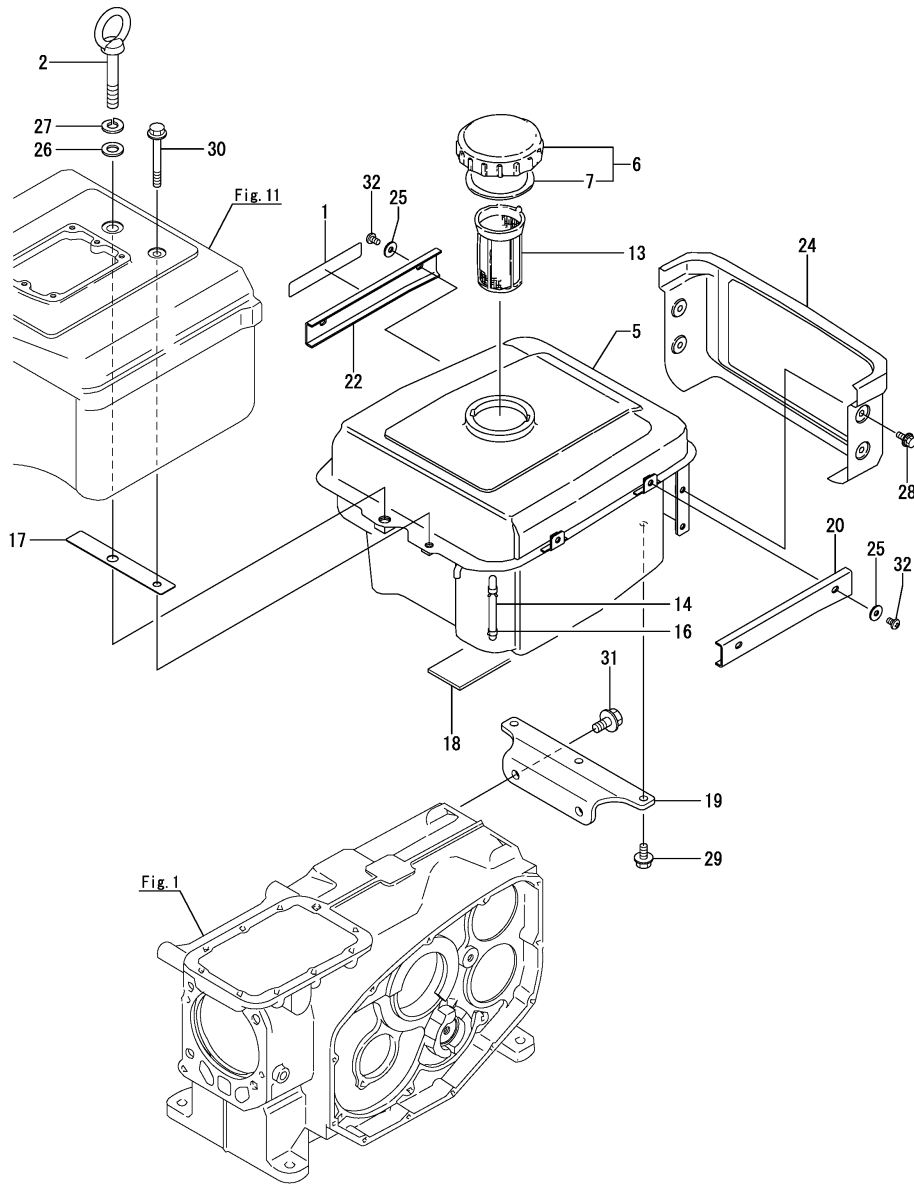
No.	Lev.	Parts No.	Description	Q'ty						I	R
				(A)	(B)	(C)	(D)	(E)	(F)		
1	1	705500-53100	FUEL INJECTOR ASSY	1							
2	2	105500-53000	VALVE ASSY,INJECTION	1							
5	2	114250-53080	NUT, NOZZLE	1							
9	2	114250-53120	SPRING, NOZZLE	1							
10	2	114250-53130	SEAT, SPRING	1							
11	2	114250-53140	SPACER	1							
12	2	114250-53210	PIN	2							
13	2	119803-53400	SHIM SET	1							
40	1	105198-55600	STRAINER ASSY, FUEL	1							
41	2	105198-55510	CUP, STRAINER	1							
42	2	105300-55520	O-RING	1							A
43	2	105300-55610	RING, RETAINING	1							
44	2	105300-55700	BODY ASSY, STRAINER	1							
47	3	105300-55340	LEVER	1							
52	3	104200-55750	SCREW, PAN M4	1							
54	3	24311-000160	O-RING, 1AP16.0	1							
55	2	105370-55711	ELEMENT	1							
56	2	105300-55750	FLOAT	1							
57	1	26106-080302	BOLT, M8X 30 PLATED	1							
58	1	10550H-59020	PIPE ASSY, FUEL OIL	1							
60	2	124766-59050	CLAMP, HOSE 11.5	1							
62	1	124722-59050	CLAMP, HOSE 9	2							
63	1	124766-59050	CLAMP, HOSE 11.5	6							
64	1	10550H-59100	RETURN TUBE,FUEL OIL	1							
66	1	10550H-59560	PIPE, FUEL OIL	1							
67	1	10550H-59570	PIPE, FUEL OIL	1							
68	1	10550H-59800	PIPE ASSY, INJECTION	1							

Remarks

(A)Gasket kit is shown in Fig.20.

N:Old $\xrightarrow{\text{Yes}}$ New, Q:Old $\xrightarrow{\text{No}}$ New, R:Old $\xrightarrow{\text{Yes}}$ New, S:Old $\xrightarrow{\text{No}}$ New, W:Add, Z:Discontinued, F:Interchangeable by set, K:Q'ty Change

Fig.14. FUEL TANK



(A)=TF120DIH
(B)=
(C)=

(D)=
(E)=
(F)=

No.	Lev.	Parts No.	Description	Q'ty						I	R
				(A)	(B)	(C)	(D)	(E)	(F)		
1	1	10567H-07110	LABEL, ENGINE MODEL	1							
2	1	105506-07950	BOLT ASSY	1							
5	1	10560H-55020	TANK, FUEL OIL	1							
6	1	10547H-55050	CAP ASSY, FUEL TANK	1							
7	2	10530H-55050	GASKET	1							A
13	1	101504-55101	STRAINER, FUEL	1							
14	1	104300-55160	GAUGE, LEVEL	1							
16	1	103854-55220	RETAINER	2							
17	1	10550H-55030	STAY, REINFORCEMENT	1							
18	1	104700-55220	FELT, FUEL TANK	1							
19	1	10560H-55240	STAY, FUEL TANK	1							
20	1	10567H-55300	GUARD, LINE(OFW	1							
22	1	10567H-55330	GUARD, LINE FW	1							
24	1	10550H-55820	COVER, FRONT	1							
25	1	10540H-76940	WASHER	4							
26	1	22137-120000	WASHER, 12	1							
27	1	22217-120000	WASHER, SPRING 12	1							
28	1	26014-060142	BOLT, M6X 14	4							
29	1	26106-080162	BOLT, M8X 16 PLATED	3							
30	1	26106-080702	BOLT, M8X 70 PLATED	1							
31	1	26106-100202	BOLT, M10X 20 PLATED	2							
32	1	26557-060102	SCREW, M6X10	4							

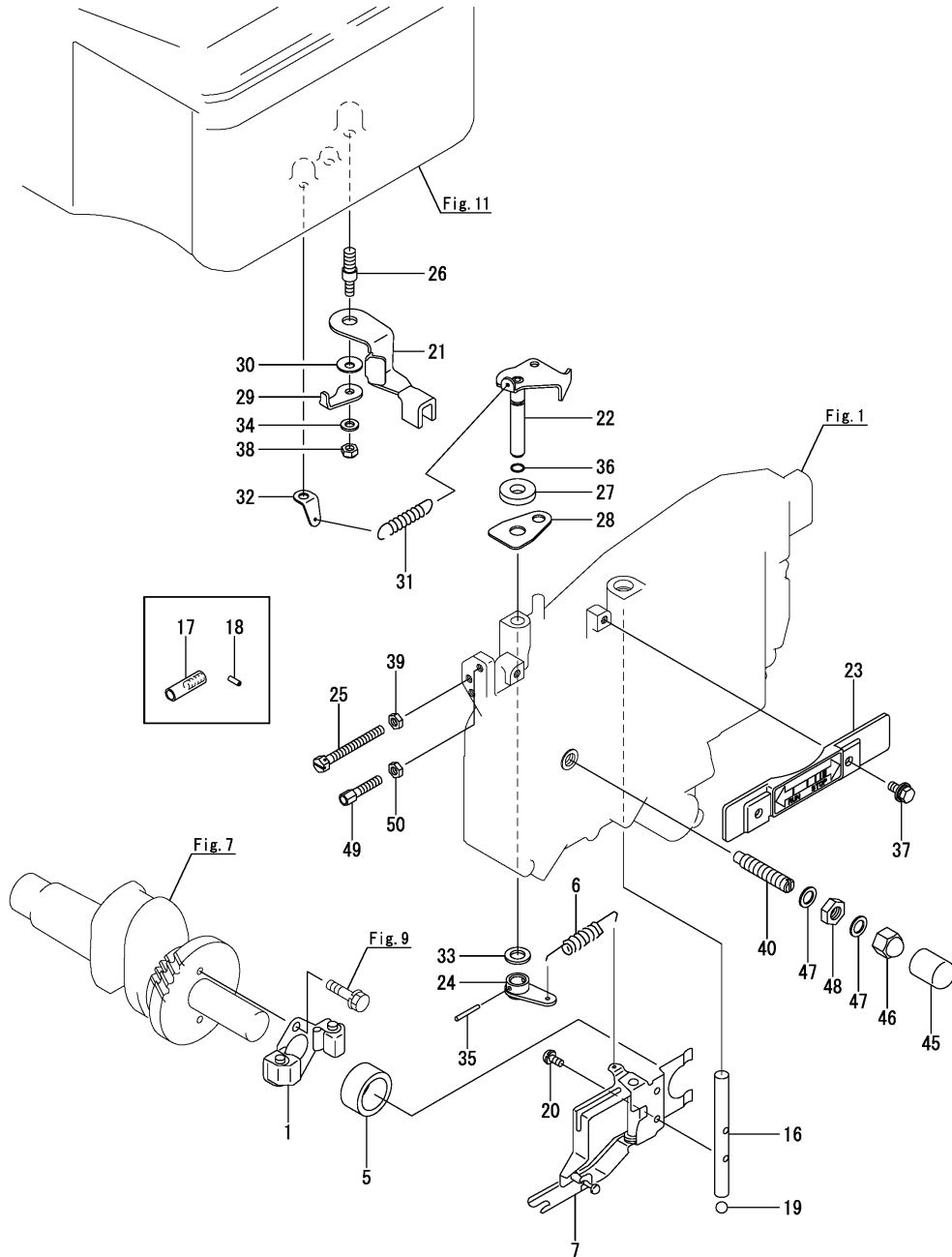
Remarks

(A)Gasket kit is shown in Fig.20.

Fig.15. GOVERNOR & CONTROL EQUIPMENT

(A)=TF120DIH
(B)=
(C)=

(D)=
(E)=
(F)=

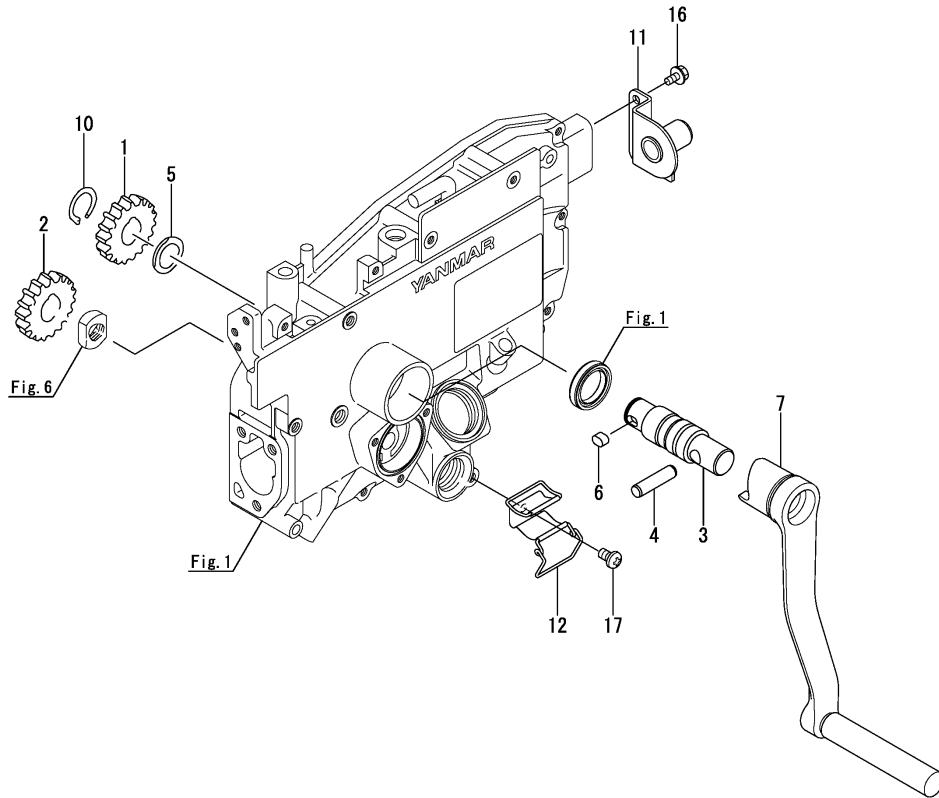


No.	Lev.	Parts No.	Description	Qty						I	R
				(A)	(B)	(C)	(D)	(E)	(F)		
1	1	705300-61701	GOVERNOR ASSY	1							
5	1	10530H-61600	SLEEVE, GOVERNOR	1							
6	1	10540H-66010	SPRING, REGULATOR	1							
7	1	105500-66310	LEVER ASSY, GOVERNOR	1							
16	1	105300-66400	SHAFT	1							
17	1	10550H-66540	SCREW	1							
18	1	22351-030010	PIN, SPRING 3.0X10	1							
19	1	24190-120001	BALL, STEEL 3/8	1							
20	1	26022-050102	SCREW, M5X10	2							
21	1	10530H-66050	HANDLE, REGULATOR	1							
22	1	10530H-66060	ACCELERATOR LEVER	1							
23	1	10530H-66110	COVER, HANDLE	1							
24	1	105215-66200	LEVER, REGULATOR	1							
25	1	105300-66520	SCREW	1							
26	1	10530H-66520	SHAFT, REGURATOR	1							
27	1	10530H-66830	PLATE, FRICTION	1							
28	1	10530H-66850	RETAINER	1							
29	1	10530H-66860	WASHER	1							
30	1	10540H-66880	SPRING	1							
31	1	105840-67300	SPRING, RETURN	1							
32	1	104104-67330	SUPPORT, SPRING	1							
33	1	22117-100000	WASHER, 10	1							
34	1	22137-060000	WASHER, 6	1							
35	1	22322-030220	PIN, TAPER 3X22	1							
36	1	24311-000070	O-RING, 1AP7.0	1							
37	1	26014-060142	BOLT, M6X 14	2							
38	1	26347-060002	NUT, M6	1							
39	1	26756-060002	NUT, LOCK M6	1							
40	1	105300-66551	LIMITER ASSY, FUEL	1							
45	1	10530H-66610	CAP (F.O. LIMITER	1							
46	1	124060-66950	NUT, CAP M10	1							
47	1	22190-100002	WASHER, SEAL 10	2							
48	1	26796-100002	NUT, LOCK M10	1							
49	1	102100-67080	BOLT, ADJUST	1							
50	1	26756-060002	NUT, LOCK M6	1							

Fig.16. STARTING DEVICE

(A)=TF120DIH
(B)=
(C)=

(D)=
(E)=
(F)=

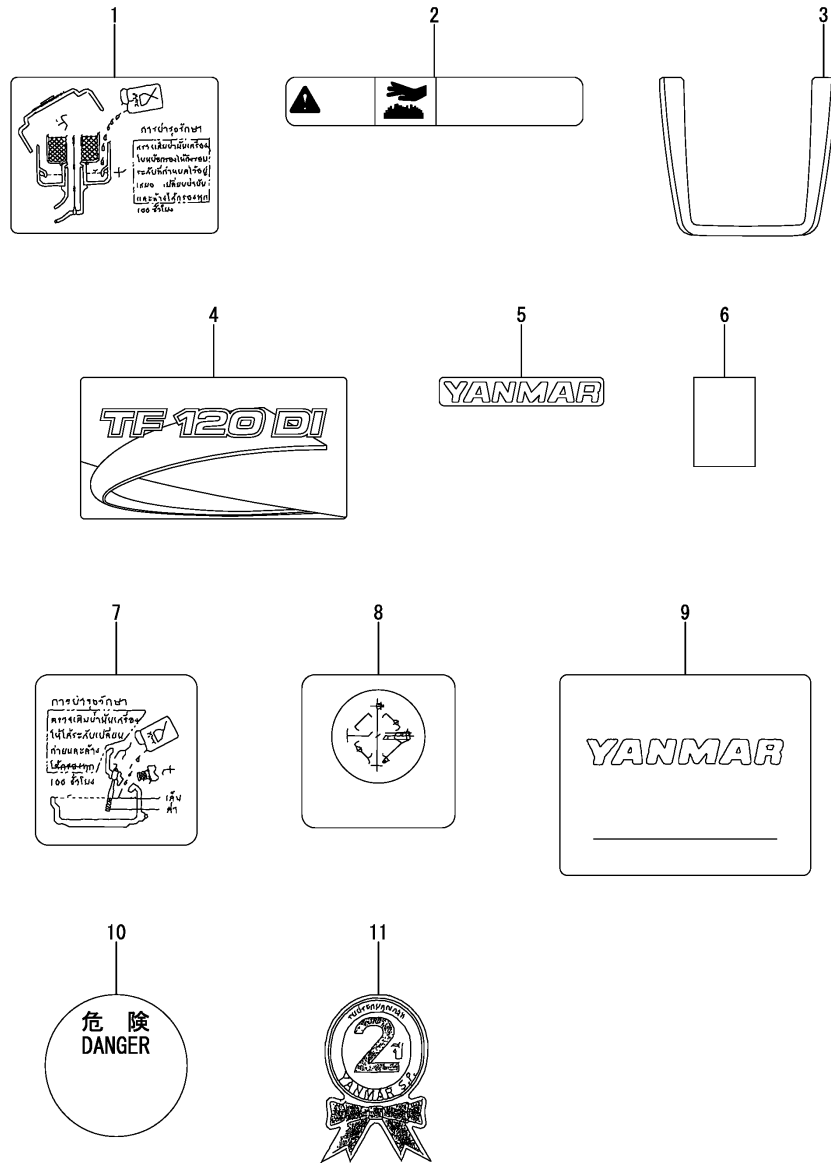


No.	Lev.	Parts No.	Description	Q'ty						I	R
				(A)	(B)	(C)	(D)	(E)	(F)		
1	1	10530G-76330	GEAR, STARTING	1							
2	1	10530G-76330	GEAR, STARTING	1							
3	1	10570H-76340	SHAFT, STARTING	1							
4	1	10570H-76480	PIN, STARTING SHAFT	1							
5	1	105300-76470	COLLAR	1							
6	1	105300-76490	KEY, 7X10	1							
7	1	10570H-76790	HANDLE ASSY, START	1							
10	1	22242-000200	RING, 20	1							
11	1	10570H-08101	RETAINER, HANDLE	1							
12	1	10530G-08510	SPRING ASSY	1							
16	1	26106-060122	BOLT, M6X 12 PLATED	2							
17	1	26557-060102	SCREW, M6X10	1							

Fig.17. LABEL

(A)=TF120DIH
(B)=
(C)=

(D)=
(E)=
(F)=

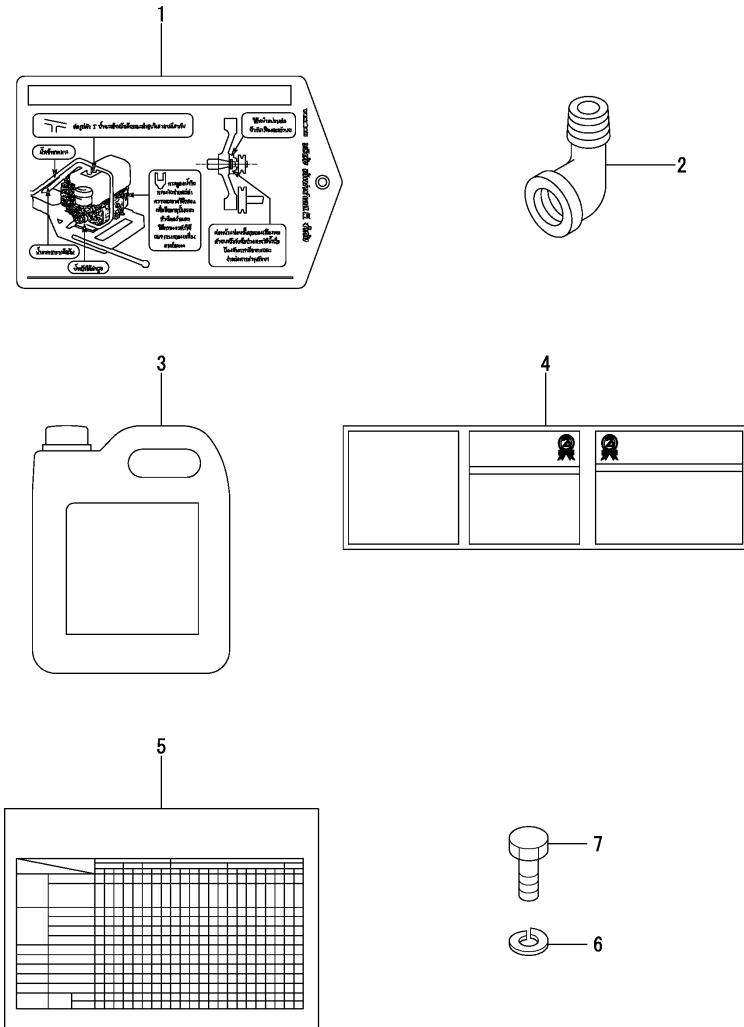


No.	Lev.	Parts No.	Description	Qty						I	R
				(A)	(B)	(C)	(D)	(E)	(F)		
1	1	10540H-07210	LABEL, AIR CLEANER	1							
2	1	10537H-07330	LABEL, CAUTION	1							
3	1	10550H-07500	LABEL, STRIPE	1							
4	1	10560H-07520	LABEL, MODEL NAME	1							
5	1	10530H-07530	LABEL, YANMAR	1							
6	1	10540H-07640	LABEL, F.O. STRAINER	1							
7	1	10540H-07670	LABEL, CAUTION	1							
8	1	10530H-07720	LABEL, TIS MARK	1							
9	1	10530H-07730	LABEL, FRONT	1							
10	1	10530H-07750	LABEL, RADIATOR	1							
11	1	10530H-07781	LABEL, WARRANTY 2	1							

Fig.19. BUNDLED ITEMS

(A)=TF120DIH
(B)=
(C)=

(D)=
(E)=
(F)=

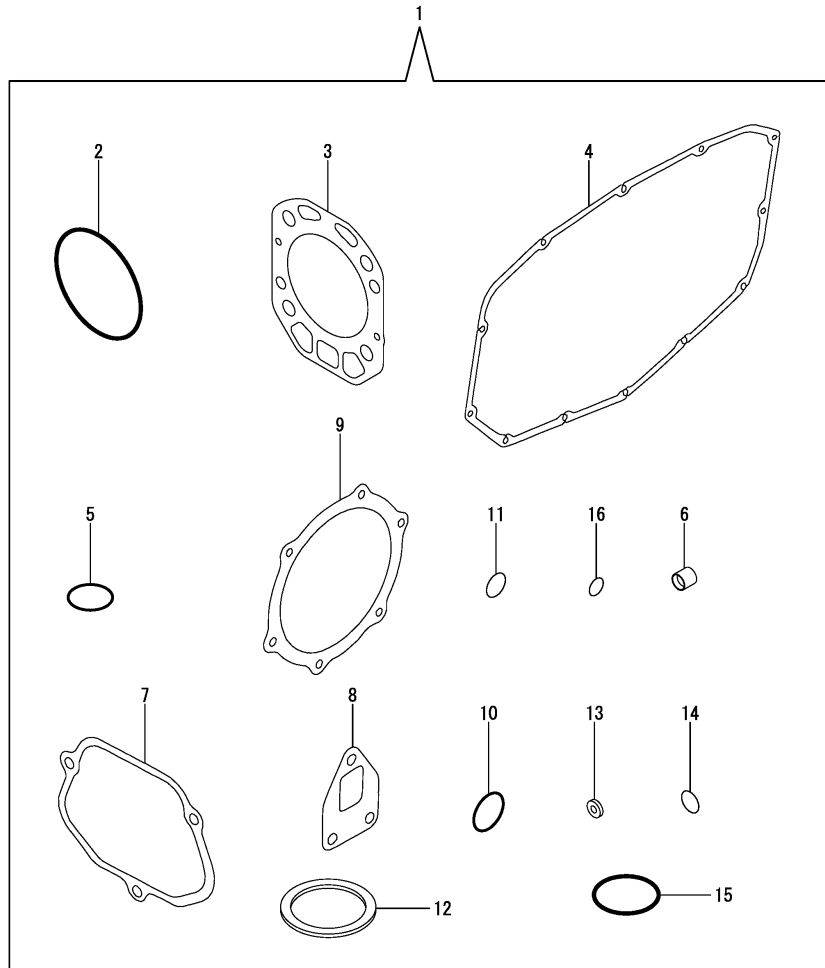


No.	Lev.	Parts No.	Description	Q'ty						I	R
				(A)	(B)	(C)	(D)	(E)	(F)		
1	1	10537H-07201	CARD, INSTRUCTION	1							
2	1	10530H-11930	ELBOW	1							
3	1	10530H-92510	OIL, YANMAR GENUINE	1							
4	1	10547H-95711	CARD, MAINTENANCE	1							
5	1	10537H-97132	CARD, ACCESSORY	1							
6	1	22217-120000	WASHER, SPRING 12	3							
7	1	26206-120352	BOLT, M12X 35 PLATED	3							

Fig.20. GASKET SET(OPTIONAL)

(A)=TF120DIH
(B)=
(C)=

(D)=
(E)=
(F)=



No.	Lev.	Parts No.	Description	Q'ty						I	R
				(A)	(B)	(C)	(D)	(E)	(F)		
1	1	10550H-92600	GASKET KIT	1							1
2	2	10550H-01300	O-RING, CYL. LINER	2							
3	2	105500-01331	GASKET, HEAD	1							
4	2	105500-01410	GASKET	1							
5	2	24311-000320	O-RING, 1AP32.0	1							
6	2	119625-11871	PROTECTOR, NOZZLE	1							
7	2	10550H-11310	GASKET	1							
8	2	105500-13201	GASKET, SILENCER	1							
9	2	105500-02020	GASKET	1							
10	2	103854-32051	O-RING	1							
11	2	24341-000200	O-RING, 1AS20.0	1							
12	2	10530H-55050	GASKET	1							
13	2	124550-51350	GASKET, DELIVERY	1							
14	2	124550-51370	O-RING	1							
15	2	105300-55520	O-RING	1							
16	2	24311-000070	O-RING, 1AP7.0	1							

Remarks

(1)Optional parts.

Parts No. Index

Parts No.	Fig. No.	Ref. No.
101158-03111	2	4
101158-11230	4	16
		20
101204-44142	11	5
101504-55101	14	13
102100-67080	15	49
103338-01240	1	11
103338-11180	4	9
103854-32051	10	1
	20	10
103854-32082	10	2
103854-51251	12	13
103854-55220	14	16
104104-03750	4	35
104104-67330	15	32
104200-03641	4	37
104200-44100	11	3
104200-55750	13	52
104200-92350	18	2
104271-21100	7	5
104271-51450	12	22
104271-51460	12	23
104300-01220	1	10
104300-08050	3	2
104300-55160	14	14
104300-76460	6	10
104700-55220	14	18
105010-11920	4	25
105100-01660	1	19
105198-55510	13	41
105198-55600	13	40
105215-66200	15	24
105215-76490	9	12
105300-01690	1	28
105300-14090	6	3
105300-14700	6	9
105300-28450	9	7
105300-28700	9	8
105300-34040	1	21
105300-51300	12	14
105300-51400	12	21
105300-51500	12	24
105300-51510	12	25
105300-51550	12	26
105300-51800	12	41
105300-55340	13	47
105300-55520	13	42
	20	15
105300-55610	13	43
105300-55700	13	44

Parts No.	Fig. No.	Ref. No.
105300-55750	13	56
105300-66400	15	16
105300-66520	15	25
105300-66551	15	40
105300-76470	16	5
105300-76490	16	6
105306-44280	11	10
10530G-08510	16	12
10530G-76330	16	1
		2
10530G-92600	18	3
10530H-01800	1	30
10530H-01920	1	31
10530H-01950	1	32
10530H-01960	1	33
10530H-01970	1	34
10530H-03550	4	33
10530H-03610	4	34
10530H-07530	17	5
10530H-07720	17	8
10530H-07730	17	9
10530H-07750	17	10
10530H-07781	17	11
10530H-11900	4	24
10530H-11930	19	2
10530H-12860	5	14
10530H-14200	6	6
10530H-32200	10	3
10530H-34850	1	44
10530H-44110	11	4
10530H-44190	11	6
10530H-55050	14	7
	20	12
10530H-61600	15	5
10530H-66050	15	21
10530H-66060	15	22
10530H-66110	15	23
10530H-66520	15	26
10530H-66610	15	45
10530H-66830	15	27
10530H-66850	15	28
10530H-66860	15	29
10530H-92100	18	1
10530H-92510	19	3
105362-78960	2	5
105370-55711	13	55
10537H-03060	2	2
10537H-07201	19	1
10537H-07330	17	2
10537H-14190	6	5

Parts No.	Fig. No.	Ref. No.
10537H-32500	10	4
10537H-97132	19	5
10540H-01751	1	29
10540H-07210	17	1
10540H-07640	17	6
10540H-07670	17	7
10540H-66010	15	6
10540H-66880	15	30
10540H-76940	14	25
105430-28720	9	10
10547H-55050	14	6
10547H-95711	19	4
105500-01200	1	9
105500-01331	1	12
	20	3
105500-01410	1	25
	20	4
105500-02020	7	17
	20	9
105500-03130	2	7
105500-11015	4	1
105500-11100	4	6
105500-11111	4	7
105500-11340	4	13
105500-13201	5	21
	20	8
105500-22300	8	8
105500-22400	8	9
105500-23200	8	13
105500-23500	8	10
105500-23910	8	31
105500-28251	9	1
105500-28380	9	5
105500-51600	12	27
105500-53000	13	2
105500-66310	15	7
105506-07950	14	2
10550G-28750	9	9
10550H-01300	1	8
	20	2
10550H-01481	1	26
10550H-01490	1	27
10550H-02230	7	14
10550H-02300	7	18
10550H-02320	7	15
10550H-03070	2	1
10550H-07500	17	3
10550H-08020	3	1
10550H-11290	4	10
10550H-11310	4	41

Parts No.	Fig. No.	Ref. No.
10550H-11310	20	7
10550H-11520	4	32
10550H-11650	4	14
10550H-11660	4	18
10550H-12060	5	2
10550H-12851	5	13
10550H-13570	5	31
10550H-14400	6	7
10550H-14600	6	8
10550H-21100	7	6
10550H-21530	7	11
10550H-44050	11	2
10550H-55030	14	17
10550H-55820	14	24
10550H-59020	13	58
10550H-59100	13	64
10550H-59560	13	66
10550H-59570	13	67
10550H-59800	13	68
10550H-66540	15	17
10550H-92600	20	1
10557H-11120	4	8
10557H-14010	6	1
10557H-21290	7	7
10557H-21520	7	8
105582-34100	10	11
105600-01560	1	1
105600-11800	4	44
105600-22470	8	17
105600-22480	8	24
105600-22510	8	19
105600-22520	8	26
10560G-28300	9	3
10560G-28310	9	4
10560H-01390	1	13
10560H-01900	1	5
10560H-02310	7	19
10560H-02500	7	12
10560H-07520	17	4
10560H-12030	5	1
10560H-12510	5	3
10560H-12700	5	4
10560H-12750	5	6
10560H-12800	5	7
10560H-13512	5	22
10560H-14100	6	4
10560H-21200	7	9
10560H-21400	7	10
10560H-21700	7	1
10560H-28410	9	6

Parts No. Index

Parts No.	Fig. No.	Ref. No.
10560H-44020	11	1
10560H-55020	14	5
10560H-55240	14	19
10567H-07110	14	1
10567H-22190	8	1
10567H-22500	8	3
10567H-55300	14	20
10567H-55330	14	22
105700-35052	10	13
10570H-08101	16	11
10570H-12551	5	16
10570H-12710	5	5
10570H-76340	16	3
10570H-76480	16	4
10570H-76790	16	7
10571H-61250	1	24
105840-67300	15	31
114250-51190	12	5
114250-53080	13	5
114250-53120	13	9
114250-53130	13	10
114250-53140	13	11
114250-53210	13	12
119625-11871	4	22
	20	6
119625-11880	4	23
119803-53400	13	13
123672-83880	9	13
124060-66950	15	46
124550-51320	12	17
124550-51341	12	18
124550-51350	12	19
	20	13
124550-51370	12	20
	20	14
124722-59050	13	62
124766-59050	13	60
		63
124950-51190	12	6
158600-51170	12	3
174100-54120	12	12
174307-51181	12	4
174307-51700	12	30
22117-100000	15	33
22137-060000	15	34
22137-120000	14	26
22190-100002	15	47
22217-040000	2	6
22217-080000	5	32
22217-120000	3	3

Parts No.	Fig. No.	Ref. No.
22217-120000	11	11
	14	27
	19	6
22242-000200	16	10
22242-000500	7	20
22252-000100	1	22
22312-030180	4	39
22322-030160	4	36
22322-030220	15	35
22351-030010	15	18
22351-060012	1	4
		20
	4	5
23064-090330	2	8
24101-060054	9	14
24101-060064	6	11
24101-060094	9	15
24190-120001	1	23
	15	19
24311-000060	1	35
24311-000070	4	40
	15	36
	20	16
24311-000160	13	54
24311-000320	1	36
	20	5
24321-000250	1	37
24321-000450	5	18
24341-000200	10	16
	20	11
24351-350530	5	15
26013-060222	9	16
	11	12
26013-080202	7	21
26014-060142	14	28
	15	37
26022-050102	12	45
	15	20
26022-060122	6	12
26023-060252	11	13
26106-060122	10	10
	16	16
26106-060142	1	38
26106-060202	4	42
26106-060222	2	9
26106-060252	1	39
	2	10
26106-060652	1	40
26106-060702	4	43
26106-080142	9	17

Parts No.	Fig. No.	Ref. No.
26106-080162	14	29
26106-080202	5	19
26106-080302	13	57
26106-080702	14	30
26106-100202	14	31
26106-100552	9	18
26116-060102	7	16
26206-120352	19	7
26216-060302	4	26
26216-080202	5	33
26216-080222	1	41
26216-080502	4	27
26216-120302	11	14
26347-060002	15	38
26366-060002	1	42
	4	28
26366-080002	1	43
	4	29
	5	34
26557-060102	11	15
	14	32
	16	17
26557-060202	5	35
26587-080122	6	13
26636-080002	5	20
26706-120002	3	4
26716-120002	11	16
26756-060002	15	39
		50
26756-080002	4	17
		21
26796-100002	15	48
27310-080001	4	30
28110-100120	18	4
28110-140170	18	5
28110-190220	18	6
705300-61701	15	1
705500-23600	8	15
705500-23610	8	32
705500-23620	8	34
705500-53100	13	1
705600-51103	12	1
711100-51540	12	9
724550-51520	12	7

Parts No.	Fig. No.	Ref. No.
-----------	----------	----------