

0CC50-M00690EN

Introduction

1. This parts catalog is a first edition of the TF115LM diesel engine.

	Date of issue	Remarks
First edition	Feb., 2016	

2. This parts catalog does not contain the technical data needed for maintenance service.

3. The illustrations used in this parts catalog have been simplified for clarity.

4. The contents of this parts catalog are subject to change without notice.

5. Be sure to use only Yanmar genuine parts for repairs. If imitation parts are used, it may cause engine defects.

Contents

OCC50-M00690

Fig. No. Fig. Name

Fig. No. Fig. Name

TF115LM

1. CYLINDER BLOCK
2. CYLINDER HEAD & BONNET
3. AIR CLEANER & MUFFLER
4. CAMSHAFT & BALANCER
5. CRANKSHAFT & FLYWHEEL
6. PISTON & CONNECTING ROD
7. LUB. OIL SYSTEM
8. RADIATOR & FUEL TANK
9. FAN
10. FUEL INJECTION PUMP
11. FUEL INJECTION DEVICE
12. GOVERNOR & CONTROL EQUIPMENT
13. LAMP
14. TOOL & LABEL
15. BUNDLED ITEMS
16. GASKET SET(OPTIONAL)

Fig.1. CYLINDER BLOCK

(A)=TF115LM

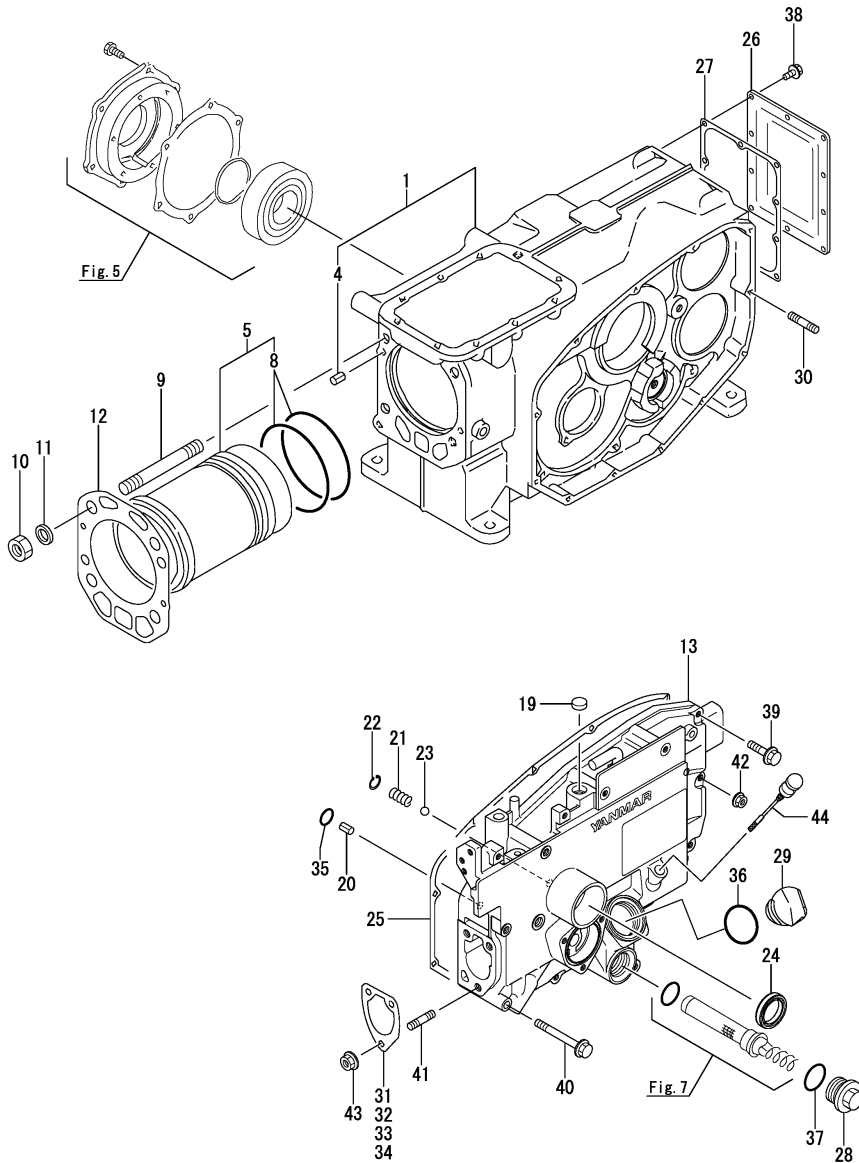
(B)=

(C)=

(D)=

(E)=

(F)=



No.	Lev.	Parts No.	Description	Q'ty						I	R
				(A)	(B)	(C)	(D)	(E)	(F)		
1	1	105600-01560	BODY, CYLINDER SUB A	1							
4	2	22351-060012	PIN, SPRING 6.0X12	2							
5	1	10560H-01900	LINER,CYLINDER SUB A	1							
8	2	10550H-01300	O-RING, CYL. LINER	2							A
9	1	105500-01200	BOLT, HEAD	4							
10	1	104300-01220	NUT, CYLINDER HEAD	4							
11	1	103338-01240	WASHER	4							
12	1	10557H-01330	GASKET, HEAD	1							A
13	1	10560H-01390	CASE ASSY, GEAR	1							
19	1	105100-01660	PLUG, 14	1							
20	1	22351-060012	PIN, SPRING 6.0X12	1							
21	1	105300-34040	SPRING	1							
22	1	22252-000100	RING, 10	1							
23	1	24190-120001	BALL, STEEL 3/8	1							
24	1	10571H-61250	SEAL,OIL START SHAFT	1							
25	1	105500-01410	GASKET	1							A
26	1	10550H-01481	COVER, REAR	1							
27	1	10550H-01490	GASKET, REAR COVER	1							
28	1	105300-01690	PLUG	1							
29	1	10540H-01751	CAP, FEEDER	1							
30	1	10530H-01800	BOLT	1							
31	1	10530H-01920	SHIM, T=0.3	1							
32	1	10530H-01950	SHIM, T=0.5	1							
33	1	10530H-01960	SHIM, T=0.4	1							
34	1	10530H-01970	SHIM, T=0.6	1							
35	1	24311-000060	O-RING, 1AP6.0	1							
36	1	24311-000320	O-RING, 1AP32.0	1							A
37	1	24321-000250	O-RING, 1AG25.0	1							
38	1	26106-060142	BOLT, M6X 14 PLATED	10							
39	1	26106-060252	BOLT, M6X 25 PLATED	6							
40	1	26106-060652	BOLT, M6X 65 PLATED	6							
41	1	26216-080222	STUD, M8X 22	3							
42	1	26366-060002	NUT, M6	1							
43	1	26366-080002	NUT, M8	3							
44	1	10530H-34850	DIPSTICK, OIL	1							

Remarks

(A)Gasket kit is shown in Fig.16.

Fig.2. CYLINDER HEAD & BONNET

(A)=TF115LM

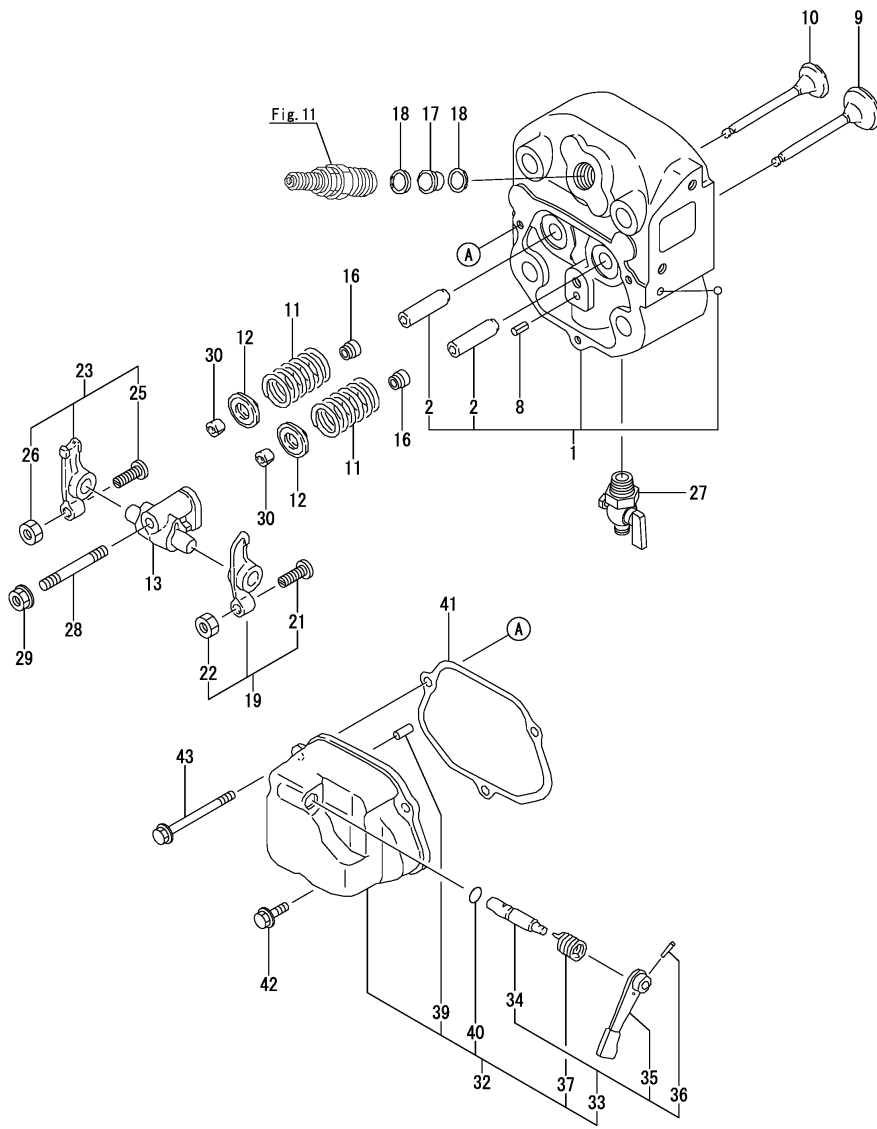
(B)=

(C)=

(D)=

(E)=

(F)=



No.	Lev.	Parts No.	Description	Q'ty						I	R
				(A)	(B)	(C)	(D)	(E)	(F)		
1	1	10567H-11010	HEAD ASSY, CYLINDER	1							
2	2	105500-11190	GUIDE, VALVE	2							1
8	1	22351-060012	PIN, SPRING 6.0X12	1							
9	1	105500-11100	VALVE, INTAKE	1							
10	1	105500-11111	VALVE, EXHAUST	1							
11	1	10557H-11120	SPRING, VALVE	2							
12	1	103338-11180	RETAINER, SPRING	2							
13	1	10550H-11290	SUPPORT ASSY, ARM	1							
16	1	105500-11340	SEAL, VALVE STEM	2							
17	1	119600-11450	PROTECTOR, NOZZLE	1							A
18	1	119600-11460	GASKET, NOZZLE	2							
19	1	10550H-11650	ARM ASSY, INTAKE	1							
21	2	101158-11230	SCREW, VALVE ADJUST	1							
22	2	26756-080002	NUT, LOCK M8	1							
23	1	10550H-11660	ARM ASSY, EXHAUST	1							
25	2	101158-11230	SCREW, VALVE ADJUST	1							
26	2	26756-080002	NUT, LOCK M8	1							
27	1	105010-11920	COCK, WATER	1							
28	1	26216-080502	STUD, M8X 50	1							
29	1	26366-080002	NUT, M8	1							
30	1	27310-080001	COTTER, 8	2							
32	1	10550H-11520	BONNET ASSY	1							
33	2	10530H-03550	LEVER ASSY, DECOMP.	1							
34	3	10530H-03610	SHAFT, DECOMP LEVER	1							
35	3	104104-03750	LEVER, DECOMPRESSION	1							
36	3	22322-030160	PIN, TAPER 3X16	1							
37	2	104200-03641	SPRING, DECOMPRESSION	1							
39	2	22312-030180	PIN, PARALLEL M3X18	1							
40	2	24311-000070	O-RING, 1AP7.0	1							A
41	1	10550H-11310	GASKET	1							A
42	1	26106-060202	BOLT, M6X 20 PLATED	2							
43	1	26106-060702	BOLT, M6X 70 PLATED	1							

Remarks

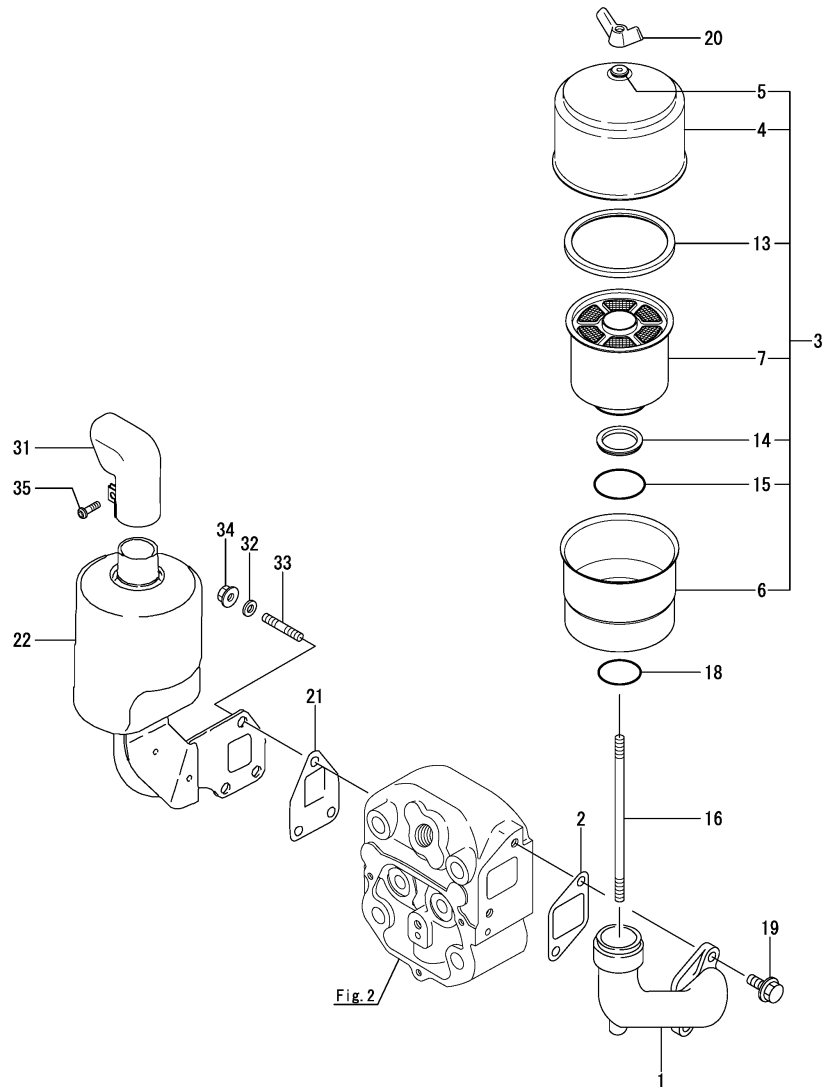
(1) Spare parts.

(A) Gasket kit is shown in Fig.16.

Fig.3. AIR CLEANER & MUFFLER

(A)=TF115LM
(B)=
(C)=

(D)=
(E)=
(F)=



No.	Lev.	Parts No.	Description	Q'ty						I	R
				(A)	(B)	(C)	(D)	(E)	(F)		
1	1	10560H-12020	PIPE, INTAKE	1							
2	1	10550H-12060	PACKING,INLET TUBE	1							
3	1	10560H-12510	CLEANER ASSY, AIR	1							
4	2	10560H-12700	CAP, AIR CLEANER	1							
5	2	10570H-12710	WASHER, SEAL	1							
6	2	10560H-12750	BODY, AIR CLEANER	1							
7	2	10560H-12800	ELEMENT, CLEANER	1							
13	2	10550H-12851	RUBBER, NO1	1							
14	2	10530H-12860	RUBBER, NO2	1							
15	2	24351-350530	PACKING, 35053	1							
16	1	10570H-12551	BOLT	1							
18	1	24321-000450	O-RING, 1AG45.0	1							
19	1	26106-080202	BOLT, M8X 20 PLATED	2							
20	1	26636-080002	NUT, WING M8	1							
21	1	105500-13201	GASKET, SILENCER	1							A
22	1	10560H-13512	SILENCER	1							
31	1	10550H-13570	PIPE, EXHAUST	1							
32	1	22217-080000	WASHER, SPRING 8	3							
33	1	26216-080202	STUD, M8X 20	3							
34	1	26366-080002	NUT, M8	3							
35	1	26557-060202	SCREW, M6X20	1							

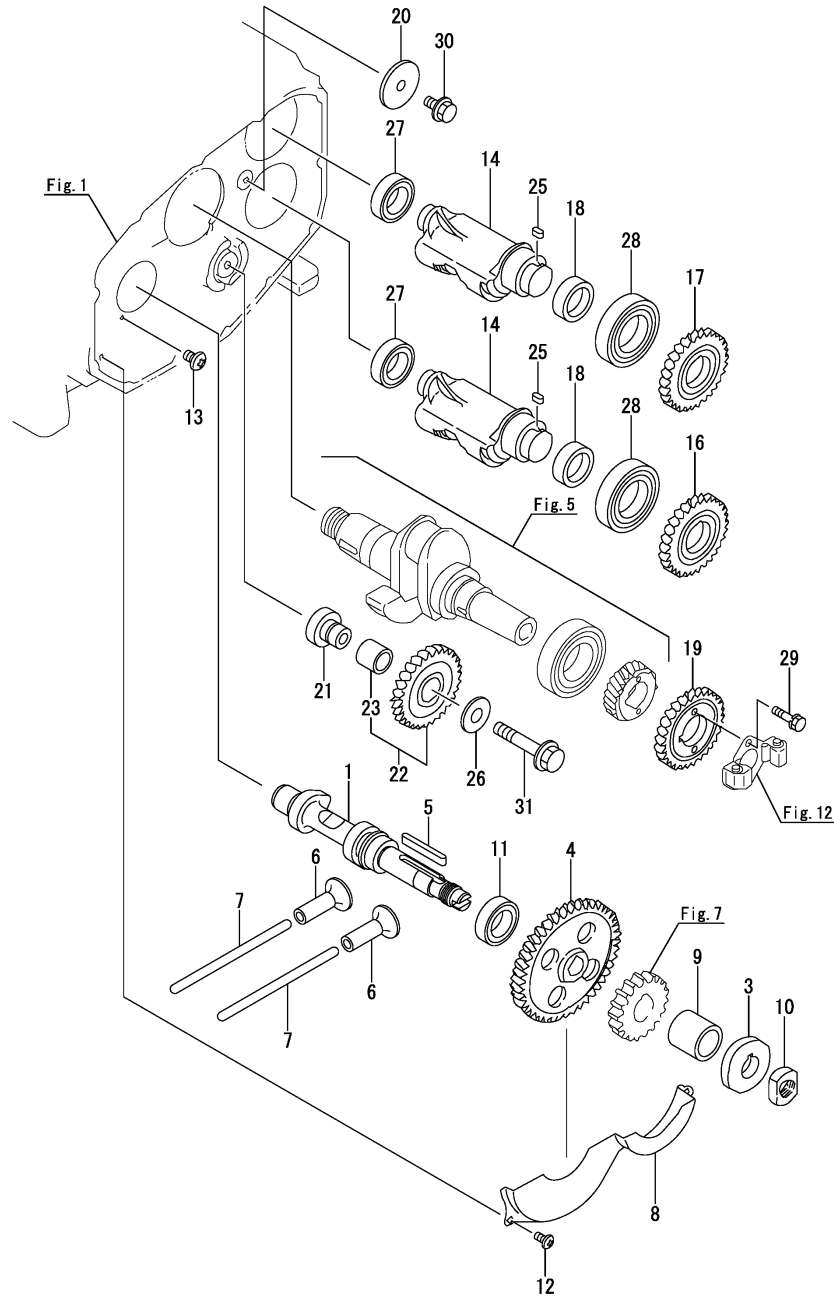
Remarks

(A)Gasket kit is shown in Fig.16.

Fig.4. CAMSHAFT & BALANCER

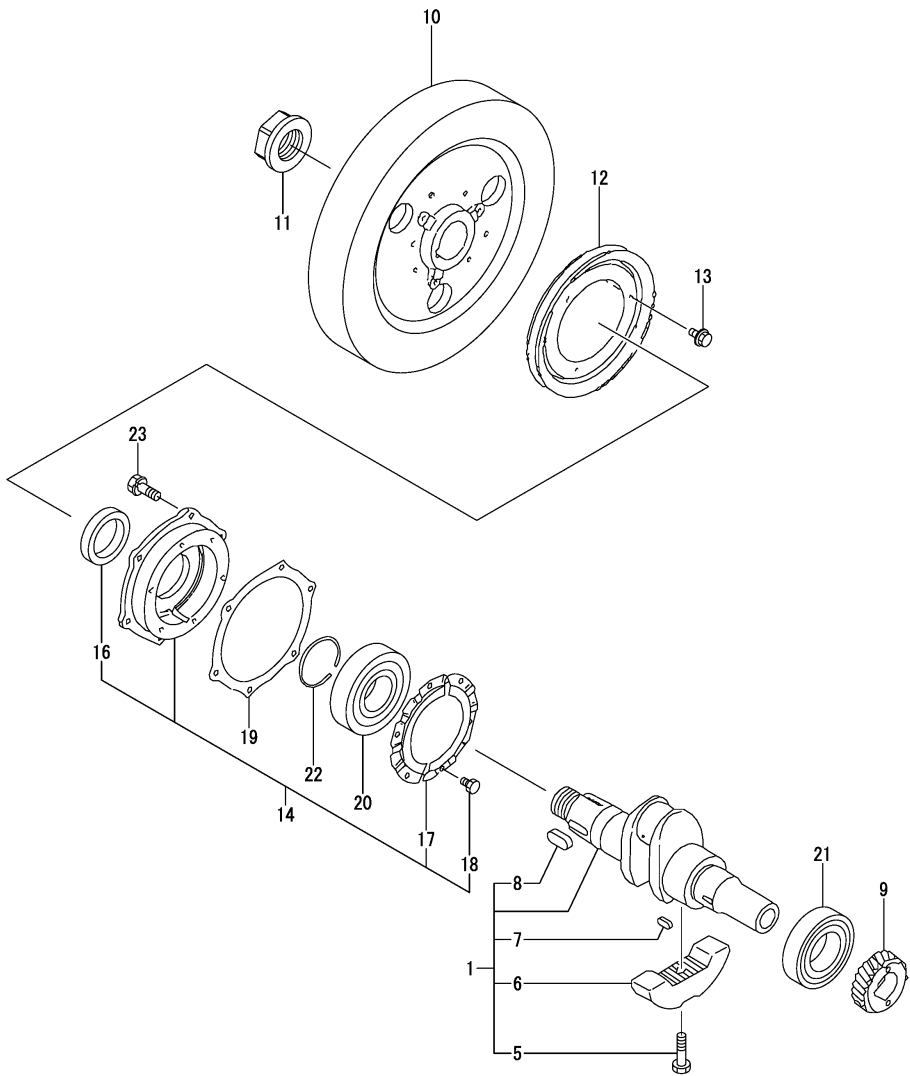
(A)=TF115LM
(B)=
(C)=

(D)=
(E)=
(F)=



No.	Lev.	Parts No.	Description	Q'ty						I	R
				(A)	(B)	(C)	(D)	(E)	(F)		
1	1	10557H-14010	CAMSHAFT	1							
3	1	10557H-14090	CAM, FUEL	1							
4	1	10560H-14100	GEAR, CAMSHAFT	1							
5	1	10537H-14190	KEY, CAMSHAFT GEAR	1							
6	1	10530H-14200	TAPPET	2							
7	1	10550H-14400	ROD, PUSH	2							
8	1	10550H-14600	COVER	1							
9	1	105300-14700	SPACER	1							
10	1	104300-76460	NUT	1							
11	1	24101-060064	BEARING, BALL 6006	1							
12	1	26022-060122	SCREW, M6X12	3							
13	1	26587-080122	SCREW, M8X12	1							
14	1	105500-28251	SHAFT, BALANCER	2							
16	1	10560G-28300	GEAR, BALANCER	1							
17	1	10560G-28310	GEAR, BALANCER	1							
18	1	105500-28380	SPACER	2							
19	1	10560H-28410	GEAR, BALANCER	1							
20	1	105300-28450	RETAINER	1							
21	1	105300-28700	SHAFT	1							
22	1	10550G-28750	GEAR ASSY	1							
23	2	105430-28720	BUSH, IDLE GEAR	1							
25	1	105215-76490	KEY	2							
26	1	123672-83880	RETAINER	1							
27	1	24101-060054	BEARING, BALL 6005	2							
28	1	24101-060094	BEARING, BALL 6009	2							
29	1	26013-060222	BOLT, M6X 22	2							
30	1	26106-080142	BOLT, M8X 14 PLATED	1							
31	1	26106-100552	BOLT, M10X 55 PLATED	1							

Fig.5. CRANKSHAFT & FLYWHEEL



(A)=TF115LM
(B)=
(C)=

(D)=
(E)=
(F)=

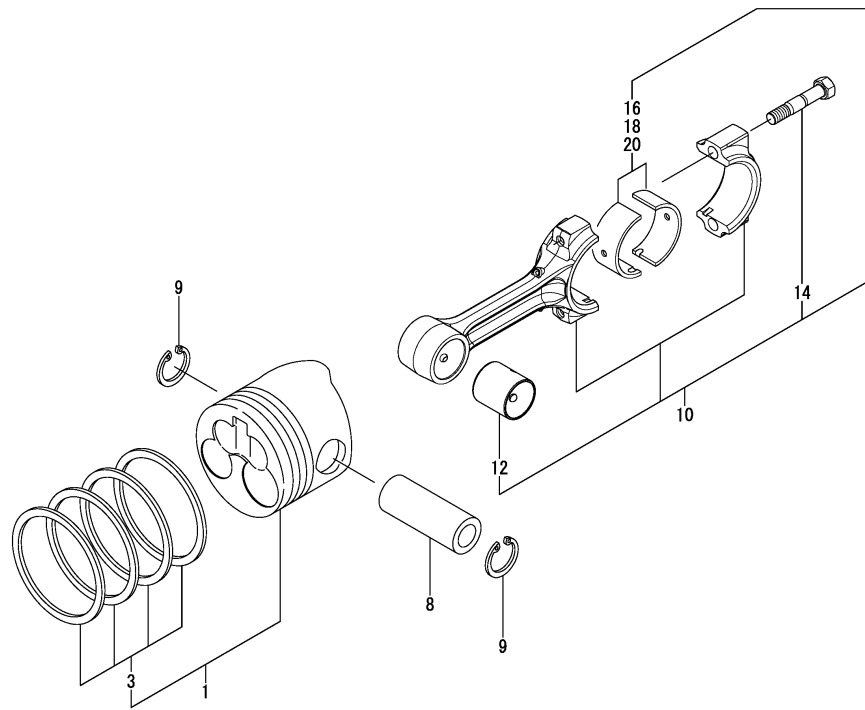
No.	Lev.	Parts No.	Description	Q'ty						I	R
				(A)	(B)	(C)	(D)	(E)	(F)		
1	1	10560H-21700	CRANKSHAFT SUB ASSY	1							
5	2	104271-21100	BOLT, BALANCE WEIGHT	2							
6	2	10550H-21100	WEIGHT, BALANCE	2							
7	2	10557H-21290	KEY, CRANKSHAFT GEAR	1							
8	2	10557H-21520	KEY, FLYWHEEL	1							
9	1	10560H-21200	GEAR, CRANKSHAFT	1							
10	1	10560H-21400	FLYWHEEL	1							
11	1	10550H-21530	NUT, END	1							
12	1	10530H-21600	V-PULLEY	1							
13	1	26106-060122	BOLT, M6X 12 PLATED	3							
14	1	10560H-02500	HOUSING,MAIN METAL S	1							
16	2	10550H-02230	SEAL, OIL CRANKSHAFT	1							
17	2	10550H-02320	RETAINER	2							
18	2	26116-060102	BOLT, M6X 10 PLATED	6							
19	1	105500-02020	GASKET	1							A
20	1	10550H-02300	BEARING, BL310-G,3	1							
21	1	10560H-02310	BEARING, NF309-C3	1							
22	1	22242-000500	RING, 50	1							
23	1	26013-080202	BOLT, M8X 20	7							

Remarks
(A)Gasket kit is shown in Fig.16.

Fig.6. PISTON & CONNECTING ROD

(A)=TF115LM
(B)=
(C)=

(D)=
(E)=
(F)=



No.	Lev.	Parts No.	Description	Q'ty						I	R
				(A)	(B)	(C)	(D)	(E)	(F)		
1	1	10567H-22092	PISTON ASSY	1							
3	2	10567H-22500	RING SET, PISTON	1							
8	1	105500-22300	PIN, PISTON	1							
9	1	105500-22400	CIRCLIP	2							
10	1	105500-23500	ROD SUB ASSY,CONNECT	1							
12	3	105500-23910	BEARING, PISTON PIN	1							1
14	3	105500-23200	BOLT, CONNECTING ROD	2							
16	2	705500-23600	BEARING, CRANK PIN	1							
18	1	705500-23610	BEARING ASSY, 0.25	1							2
20	1	705500-23620	BEARING, 0.50 US	1							3

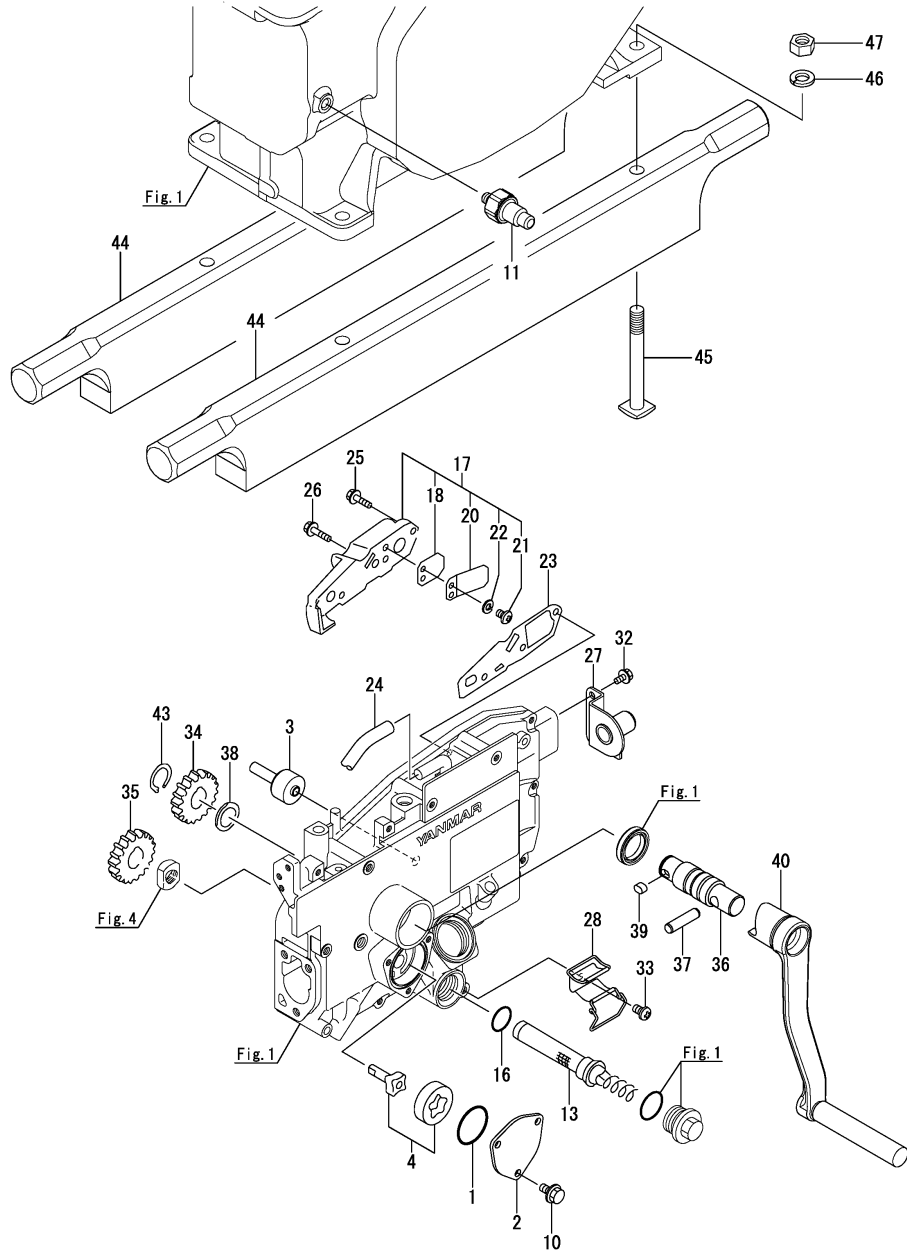
Remarks

- (1) Spare parts.
- (2) Under-sized(U.S.=0.25) parts.
- (3) Under-sized(U.S.=0.5) parts.

Fig.7. LUB. OIL SYSTEM

(A)=TF115LM
(B)=
(C)=

(D)=
(E)=
(F)=



No.	Lev.	Parts No.	Description	Q'ty						I	R
				(A)	(B)	(C)	(D)	(E)	(F)		
1	1	103854-32051	O-RING	1							A
2	1	103854-32082	COVER	1							
3	1	10530H-32200	PIECE	1							
4	1	10537H-32500	PUMP, LUB.OIL CMP	1							
10	1	26106-060122	BOLT, M6X 12 PLATED	3							
11	1	105582-34100	SIGNAL	1							
13	1	105306-35052	STRAINER ASSY, OIL	1							
16	1	24341-000200	O-RING, 1AS20.0	1							A
17	1	10550H-03070	COVER ASSY, BREATHER	1							
18	2	10537H-03060	VALVE, RETURN	1							
20	2	101158-03111	RETAINER	1							
21	2	105362-78960	SCREW, M4X8	2							
22	2	22217-040000	WASHER, SPRING 4	2							
23	1	105500-03130	GASKET, BREATHER	1							
24	1	23064-090330	HOSE, 9 X 330	1							
25	1	26106-060222	BOLT, M6X 22 PLATED	2							
26	1	26106-060252	BOLT, M6X 25 PLATED	1							
27	1	10570H-08101	RETAINER, HANDLE	1							
28	1	10530G-08510	SPRING ASSY	1							
32	1	26106-060122	BOLT, M6X 12 PLATED	2							
33	1	26557-060102	SCREW, M6X10	1							
34	1	10530G-76330	GEAR, STARTING	1							
35	1	10530G-76330	GEAR, STARTING	1							
36	1	10570H-76340	SHAFT, STARTING	1							
37	1	10570H-76480	PIN, STARTING SHAFT	1							
38	1	105300-76470	COLLAR	1							
39	1	105300-76490	KEY, 7X10	1							
40	1	10570H-76790	HANDLE ASSY, START	1							
43	1	22242-000200	RING, 20	1							
44	1	10550H-08020	BED, ENGINE	2							
45	1	104300-08050	BOLT, FOUNDATION	4							
46	1	22217-120000	WASHER, SPRING 12	4							
47	1	26706-120002	NUT, M12	4							

Remarks

(A)Gasket kit is shown in Fig.16.

Fig.8. RADIATOR & FUEL TANK

(A)=TF115LM

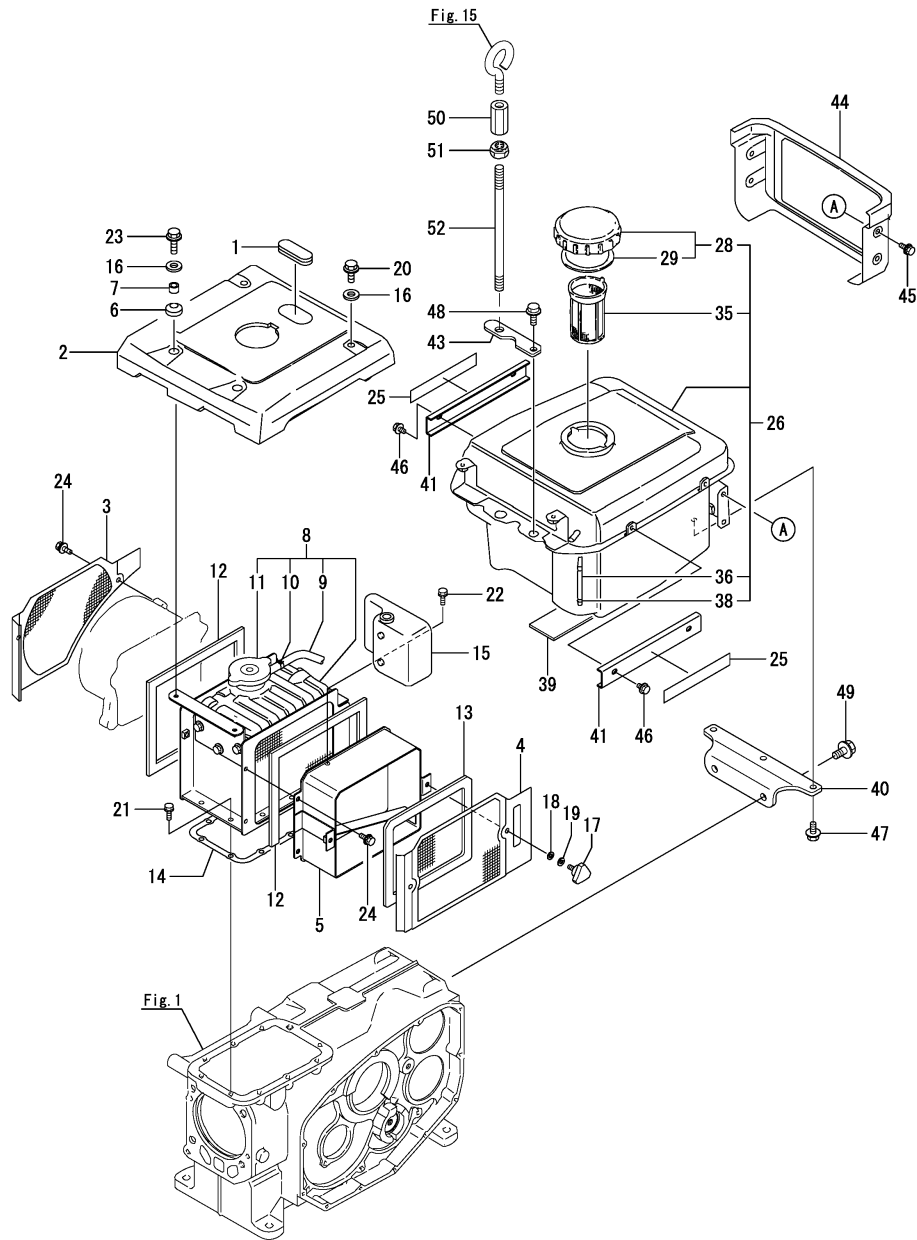
(B)=

(C)=

(D)=

(E)=

(F)=



No.	Lev.	Parts No.	Description	Q'ty						I	R
				(A)	(B)	(C)	(D)	(E)	(F)		
1	1	105300-44220	COVER, RADIATOR	1							
2	1	10560H-44250	COVER, RADIATOR	1							
3	1	10560H-44330	SCREEN	1							
4	1	10560H-44340	SCREEN	1							
5	1	10550H-44360	DUCT, SCREEN	1							
6	1	105300-44451	ABSORBER	2							
7	1	105300-44460	COLLAR	2							
8	1	10560H-44501	RADIATOR ASSY	1							
9	2	10530H-44570	PIPE, 7X205	1							
10	2	121250-44590	CLAMP, HOSE	1							
11	2	10530H-44600	CAP, RADIATOR	1							
12	1	104607-44540	SPONGE	2							
13	1	106100-44560	SPONGE, 15X5X1000	1							
14	1	10550H-44611	GASKET, RADIATOR	1							
15	1	10530H-44630	TANK, SUB	1							
16	1	10540H-76940	WASHER	4							
17	1	160725-78350	KNOB, BOLT M6X15	2							
18	1	22117-060000	WASHER, 6	2							
19	1	22217-060000	WASHER, SPRING 6	2							
20	1	26013-060142	BOLT, M6X 14	2							
21	1	26013-060162	BOLT, M6X 16	8							
22	1	26013-060182	BOLT, M6X 18	1							
23	1	26013-060182	BOLT, M6X 18	2							
24	1	26014-060142	BOLT, M6X 14	6							
25	1	10567H-07250	LABEL, ENGINE MODEL	2							
26	1	10560H-55700	TANK,FUEL OIL SUB AS	1							
28	2	10547H-55040	CAP, FUEL TANK	1							
29	3	10530H-55050	GASKET	1							A
35	2	101504-55101	STRAINER, FUEL	1							
36	2	104300-55160	GAUGE, LEVEL	1							
38	2	103854-55220	RETAINER	2							
39	1	104700-55220	FELT, FUEL TANK	1							
40	1	10560H-55240	STAY, FUEL TANK	1							
41	1	10567H-55240	GUARD, LINE	2							
43	1	10530H-55520	RETAINER	1							
44	1	10550H-55810	COVER, LIGHT	1							
45	1	26014-060142	BOLT, M6X 14	4							
46	1	26106-060102	BOLT, M6X 10 PLATED	4							
47	1	26106-080162	BOLT, M8X 16 PLATED	3							
48	1	26106-080222	BOLT, M8X 22 PLATED	1							
49	1	26106-100202	BOLT, M10X 20 PLATED	2							
50	1	105500-07910	NUT, M12	1							
51	1	104507-07920	NUT, M12	1							
52	1	10550H-07940	BOLT, ENGINE LIFT	1							

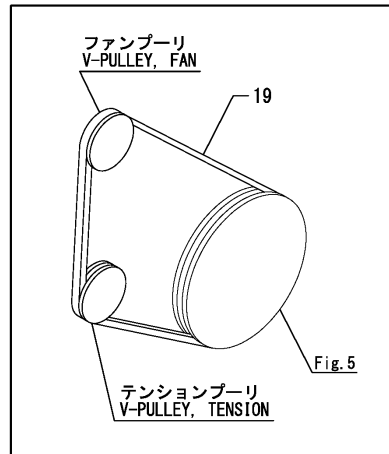
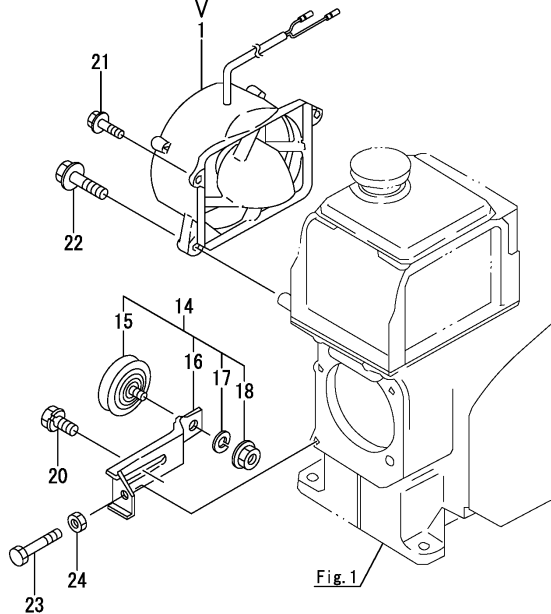
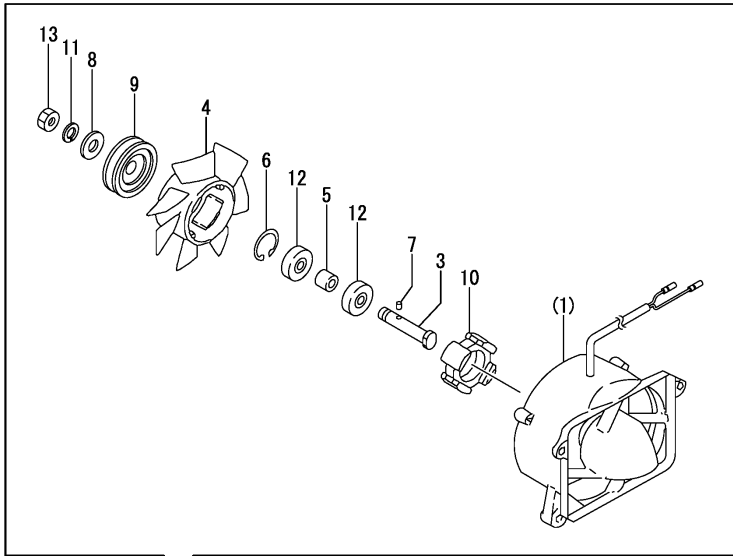
Remarks

(A)Gasket kit is shown in Fig.16.

Fig.9. FAN

(A)=TF115LM
(B)=
(C)=

(D)=
(E)=
(F)=



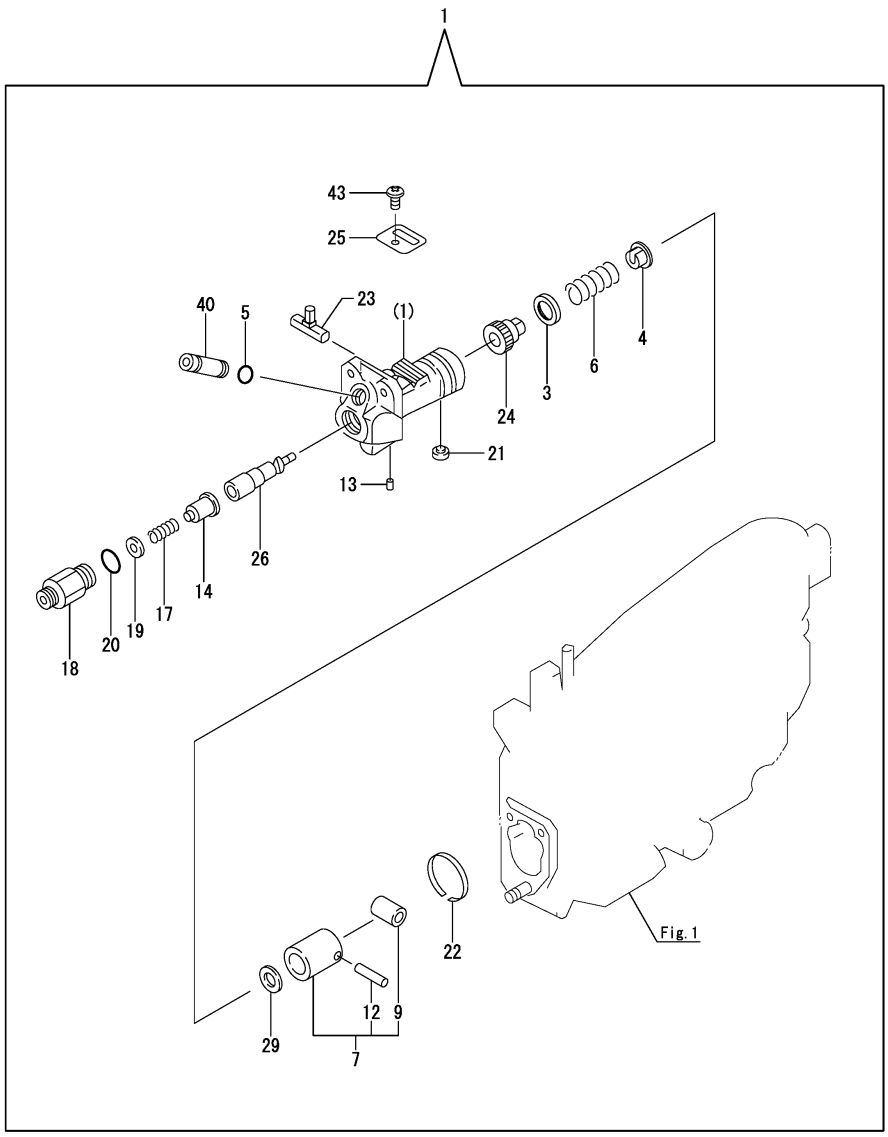
No.	Lev.	Parts No.	Description	Q'ty						I	R
				(A)	(B)	(C)	(D)	(E)	(F)		
1	1	10550H-44203	CASE ASSY, FAN	1							
3	2	105340-44701	SHAFT, FAN	1							
4	2	10550H-44701	FAN	1							
5	2	10530H-44720	COLLAR	1							
6	2	106383-44740	CIRCLIP	1							
7	2	105340-44750	PIN	1							
8	2	10550H-44760	WASHER	1							
9	2	10550H-44770	PULLEY	1							
10	2	10530H-78010	STATOR ASSY	1							
11	2	22217-120000	WASHER, SPRING 12	1							
12	2	24107-062013	BEARING, 6201ZZP6	2							
13	2	26777-120002	NUT, LOCK M12	1							
14	1	10550H-44830	PULLEY ASSY, TENSION	1							
15	2	10610H-44651	PULLEY, TENSION	1							
16	2	10550H-44950	LEVER, TENSION PULLEY	1							
17	2	22217-080000	WASHER, SPRING 8	1							
18	2	26366-080002	NUT, M8	1							
19	1	25117-003851	V-BELT, M38.5H	1							
20	1	26014-080162	BOLT, M8X 16	1							
21	1	26106-060202	BOLT, M6X 20 PLATED	2							
22	1	26106-080302	BOLT, M8X 30 PLATED	2							
23	1	26116-060504	BOLT, M6X 50 PLATED	1							
24	1	26756-060002	NUT, LOCK M6	1							

Fig.10. FUEL INJECTION PUMP

(A)=TF115LM
(B)=
(C)=

(D)=
(E)=
(F)=

No.	Lev.	Parts No.	Description	Q'ty						I	R
				(A)	(B)	(C)	(D)	(E)	(F)		
1	1	70567H-51201	PUMP ASSY, INJECTION	1							
3	2	158600-51170	RETAINER, SPRING	1							
4	2	174307-51181	RETAINER, SPRING B	1							
5	2	114250-51190	O-RING, S27	1							
6	2	124950-51190	SPRING, PLUNGER	1							
7	2	724550-51520	GUIDE, PLUNGER	1							
9	3	711100-51540	ROLLER ASSY	1							
12	3	174100-54120	PIN, TAPPET ROLLER	1							
13	2	103854-51251	PIN, PLUNGER	1							
14	2	105470-51300	VALVE ASSY, DELIVERY	1							
17	2	124550-51320	SPRING, DELIVERY	1							
18	2	124550-51341	HOLDER, DELIVERY L43	1							
19	2	124550-51350	GASKET, DELIVERY	1							A
20	2	124550-51370	O-RING	1							A
21	2	104271-51450	PIECE, GUIDE	1							
22	2	104271-51460	CIRCLIP	1							
23	2	105300-51500	RACK, CONTROL	1							
24	2	105300-51510	PINION	1							
25	2	105300-51550	RETAINER, RACK	1							
26	2	105570-51602	PLUNGER ASSY	1							
29	2	174307-51700	SHIM SET, PLUNGER	1							
40	2	105300-51800	JOINT	1							
43	2	26022-050102	SCREW, M5X10	1							



Remarks
(A)Gasket kit is shown in Fig.16.

Fig.11. FUEL INJECTION DEVICE

(A)=TF115LM

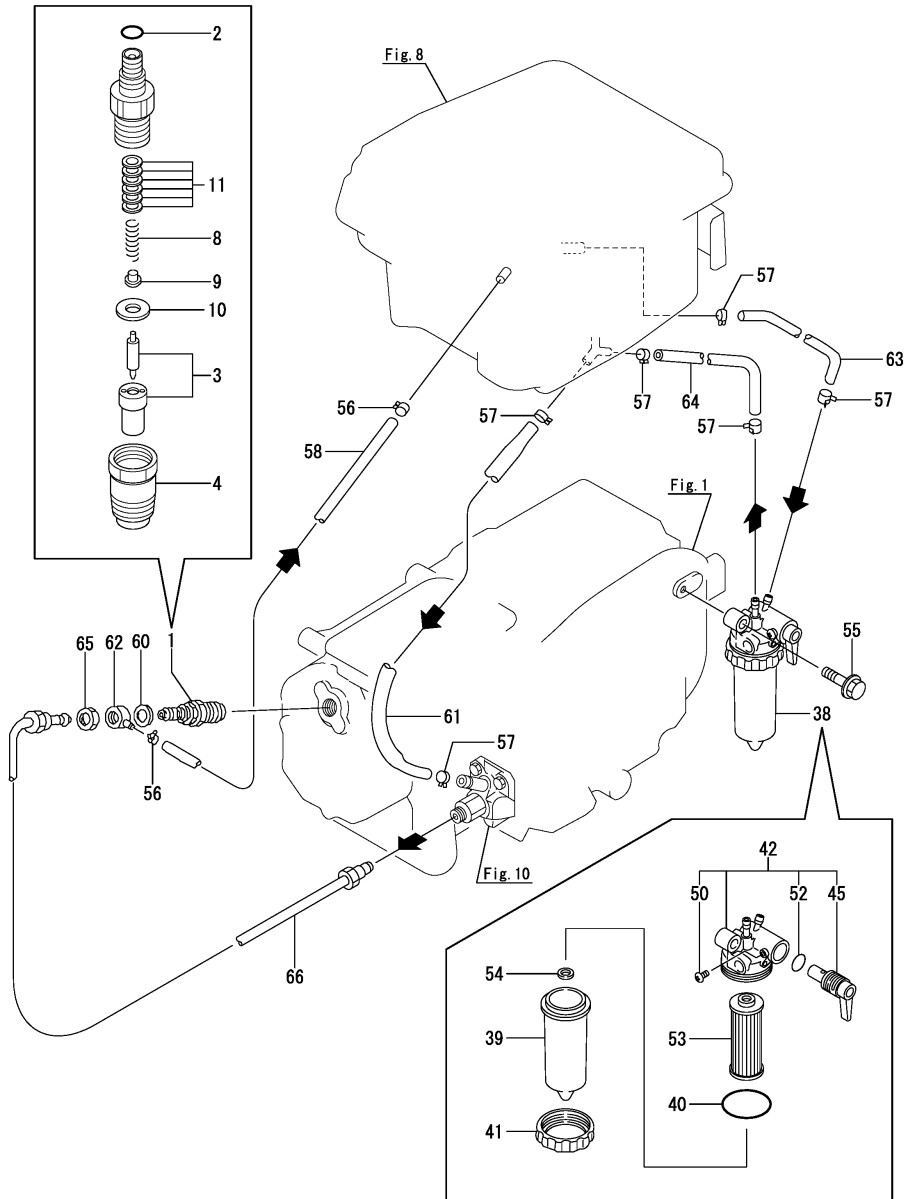
(B)=

(C)=

(D)=

(E)=

(F)=

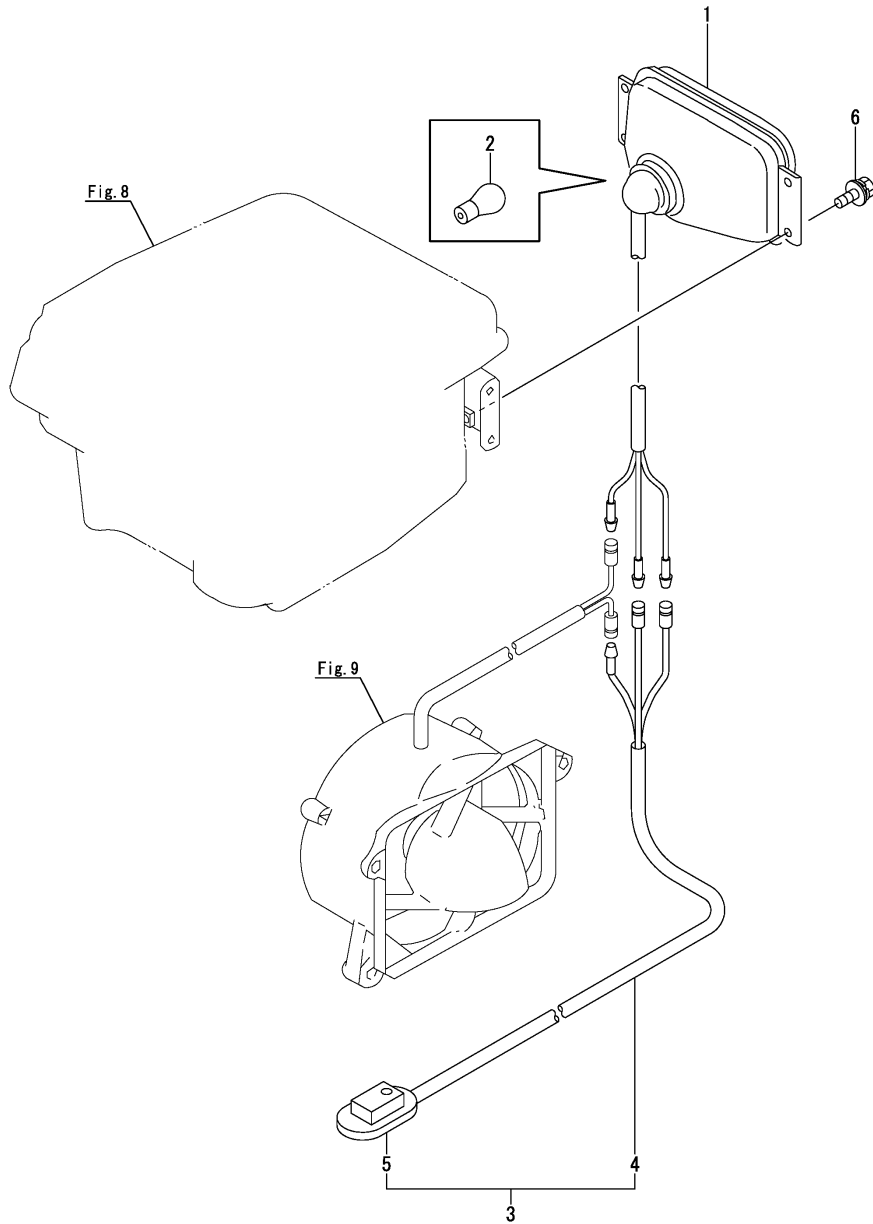


No.	Lev.	Parts No.	Description	Q'ty						I	R
				(A)	(B)	(C)	(D)	(E)	(F)		
1	1	719255-53100	FUEL INJECTOR ASSY	1							
2	2	158552-51930	O-RING, 4D S10	1							
3	2	119620-53001	VALVE ASSY,INJECTION	1							
4	2	119620-53080	NUT, NOZZLE	1							
8	2	119620-53120	SPRING, NOZZLE	1							
9	2	114250-53130	SEAT, SPRING	1							
10	2	119620-53140	SPACER, VALVE STOP	1							
11	2	119803-53400	SHIM SET	1							
38	1	105198-55600	STRAINER ASSY, FUEL	1							
39	2	105198-55510	CUP, STRAINER	1							
40	2	105300-55520	O-RING	1							A
41	2	105300-55610	RING, RETAINING	1							
42	2	105300-55700	BODY ASSY, STRAINER	1							
45	3	105300-55340	LEVER	1							
50	3	104200-55750	SCREW, PAN M4	1							
52	3	24311-000160	O-RING, 1AP16.0	1							
53	2	105370-55711	ELEMENT	1							
54	2	105300-55750	FLOAT	1							
55	1	26106-080302	BOLT, M8X 30 PLATED	1							
56	1	124722-59050	CLAMP, HOSE 9	2							
57	1	124766-59050	CLAMP, HOSE 11.5	6							
58	1	106430-59100	PIPE, FUEL RETURN	1							
60	1	10547H-59500	GASKET	1							
61	1	10550H-59510	PIPE, FUEL OIL	1							
62	1	10537H-59520	JOINT, OVER FLOW	1							
63	1	10550H-59560	PIPE, FUEL OIL	1							
64	1	10550H-59570	PIPE, FUEL OIL	1							
65	1	119620-59700	NUT, NOZZLE	1							
66	1	10567H-59801	PIPE ASSY, INJECTION	1							

Remarks

(A)Gasket kit is shown in Fig.16.

Fig.13. LAMP



(A)=TF115LM
(B)=
(C)=

(D)=
(E)=
(F)=

No.	Lev.	Parts No.	Description	Q'ty						I	R
				(A)	(B)	(C)	(D)	(E)	(F)		
1	1	10530H-78020	LAMP ASSY	1							
2	2	10530H-78250	BULB, 45W	1							
3	1	10530H-78520	SWITCH ASSY, RIGHT	1							
4	2	10530H-78530	HARNES, WIRE	1							
5	2	10530H-78960	SWITCH, LIGHT	1							
6	1	26014-060142	BOLT, M6X 14	4							

Fig.15. BUNDLED ITEMS

(A)=TF115LM
(B)=
(C)=

(D)=
(E)=
(F)=

No.	Lev.	Parts No.	Description	Q'ty						I	R
				(A)	(B)	(C)	(D)	(E)	(F)		
1	1	10530H-92510	OIL, YANMAR GENUINE	1							
2	1	10540H-92701	COOLANT	1							
3	1	10547H-95701	CARD, MAINTENANCE	1							
4	1	10537H-97132	CARD, ACCESSORY	1							
5	1	22217-120000	WASHER, SPRING 12	3							
6	1	26206-120352	BOLT, M12X 35 PLATED	3							
7	1	26617-120002	BOLT, EYE M12	1							

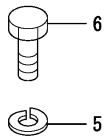
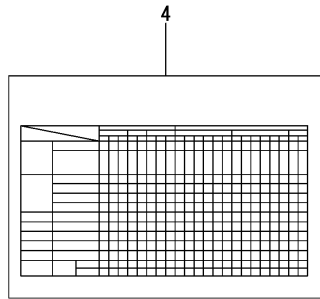
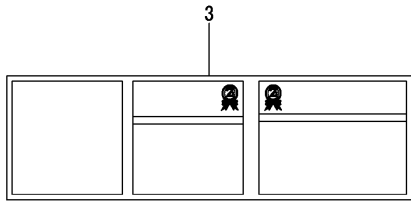
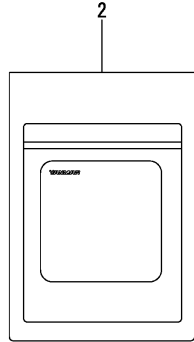
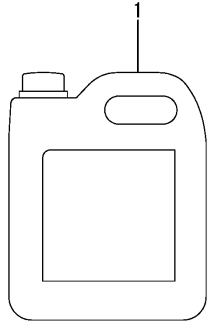
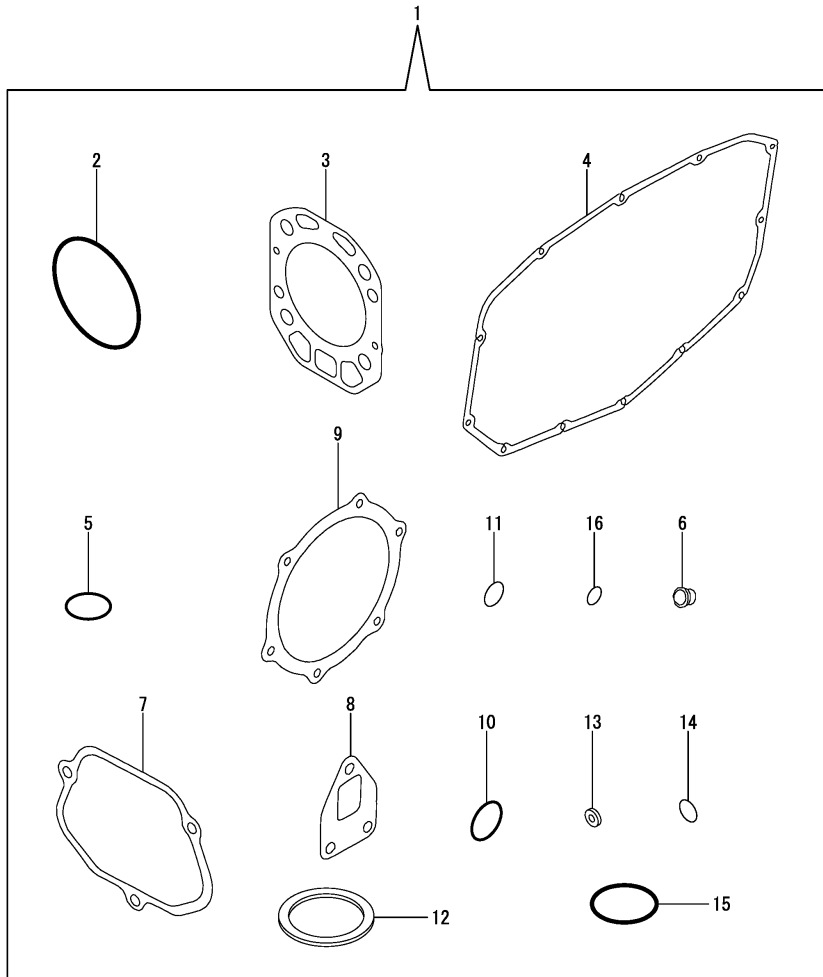


Fig.16. GASKET SET(OPTIONAL)

(A)=TF115LM
(B)=
(C)=

(D)=
(E)=
(F)=



No.	Lev.	Parts No.	Description	Q'ty						I	R
				(A)	(B)	(C)	(D)	(E)	(F)		
1	1	10560H-92600	GASKET SET	1							1
2	2	10550H-01300	O-RING, CYL. LINER	2							
3	2	10557H-01330	GASKET, HEAD	1							
4	2	105500-01410	GASKET	1							
5	2	24311-000320	O-RING, 1AP32.0	1							
6	2	119600-11450	PROTECTOR, NOZZLE	1							
7	2	10550H-11310	GASKET	1							
8	2	105500-13201	GASKET, SILENCER	1							
9	2	105500-02020	GASKET	1							
10	2	103854-32051	O-RING	1							
11	2	24341-000200	O-RING, 1AS20.0	1							
12	2	10530H-55050	GASKET	1							
13	2	124550-51350	GASKET, DELIVERY	1							
14	2	124550-51370	O-RING	1							
15	2	105300-55520	O-RING	1							
16	2	24311-000070	O-RING, 1AP7.0	1							

Remarks

(1)Optional parts.

Parts No. Index

Parts No.	Fig. No.	Ref. No.
101158-03111	7	20
101158-11230	2	21
		25
101504-55101	8	35
102100-67080	12	47
103338-01240	1	11
103338-11180	2	12
103854-32051	7	1
	16	10
103854-32082	7	2
103854-51251	10	13
103854-55220	8	38
104104-03750	2	35
104200-03641	2	37
104200-55750	11	50
104200-92350	14	2
104271-21100	5	5
104271-51450	10	21
104271-51460	10	22
104300-01220	1	10
104300-08050	7	45
104300-55160	8	36
104300-76460	4	10
104507-07920	8	51
104607-44540	8	12
104700-55220	8	39
105010-11920	2	27
105100-01660	1	19
105198-55510	11	39
105198-55600	11	38
105215-76490	4	25
105300-01690	1	28
105300-14700	4	9
105300-28450	4	20
105300-28700	4	21
105300-34040	1	21
105300-44220	8	1
105300-44451	8	6
105300-44460	8	7
105300-51500	10	23
105300-51510	10	24
105300-51550	10	25
105300-51800	10	40
105300-55340	11	45
105300-55520	11	40
	16	15
105300-55610	11	41
105300-55700	11	42
105300-55750	11	54
105300-66400	12	16

Parts No.	Fig. No.	Ref. No.
105300-66520	12	28
105300-76470	7	38
105300-76490	7	39
105306-35052	7	13
10530G-08510	7	28
10530G-76330	7	34
		35
10530G-92600	14	3
10530H-01800	1	30
10530H-01920	1	31
10530H-01950	1	32
10530H-01960	1	33
10530H-01970	1	34
10530H-03550	2	33
10530H-03610	2	34
10530H-07530	14	10
10530H-07720	14	14
10530H-07750	14	15
10530H-07781	14	16
10530H-12860	3	14
10530H-14200	4	6
10530H-21600	5	12
10530H-32200	7	3
10530H-34850	1	44
10530H-44570	8	9
10530H-44600	8	11
10530H-44630	8	15
10530H-44720	9	5
10530H-55050	8	29
	16	12
10530H-55520	8	43
10530H-61600	12	5
10530H-66110	12	19
10530H-66610	12	43
10530H-66830	12	29
10530H-66850	12	30
10530H-66990	12	24
10530H-78010	9	10
10530H-78020	13	1
10530H-78250	13	2
10530H-78520	13	3
10530H-78530	13	4
10530H-78960	13	5
10530H-92100	14	1
10530H-92510	15	1
105340-44701	9	3
105340-44750	9	7
105362-78960	7	21
105370-55711	11	53
10537H-03060	7	18

Parts No.	Fig. No.	Ref. No.
10537H-07330	14	9
10537H-14190	4	5
10537H-32500	7	4
10537H-59520	11	62
10537H-97132	15	4
10540H-01751	1	29
10540H-07210	14	8
10540H-07621	14	11
10540H-07640	14	12
10540H-07670	14	13
10540H-66010	12	6
10540H-66880	12	31
10540H-76940	8	16
10540H-92701	15	2
105430-28720	4	23
105470-51300	10	14
10547H-55040	8	28
10547H-59500	11	60
10547H-95701	15	3
105500-01200	1	9
105500-01410	1	25
	16	4
105500-02020	5	19
	16	9
105500-03130	7	23
105500-07910	8	50
105500-11100	2	9
105500-11111	2	10
105500-11190	2	2
105500-11340	2	16
105500-13201	3	21
	16	8
105500-22300	6	8
105500-22400	6	9
105500-23200	6	14
105500-23500	6	10
105500-23910	6	12
105500-28251	4	14
105500-28380	4	18
105500-66310	12	7
105500-66551	12	38
105502-67301	12	48
10550G-28750	4	22
10550H-01300	1	8
	16	2
10550H-01481	1	26
10550H-01490	1	27
10550H-02230	5	16
10550H-02300	5	20
10550H-02320	5	17

Parts No.	Fig. No.	Ref. No.
10550H-03070	7	17
10550H-07940	8	52
10550H-08020	7	44
10550H-11290	2	13
10550H-11310	2	41
	16	7
10550H-11520	2	32
10550H-11650	2	19
10550H-11660	2	23
10550H-12060	3	2
10550H-12851	3	13
10550H-13570	3	31
10550H-14400	4	7
10550H-14600	4	8
10550H-21100	5	6
10550H-21530	5	11
10550H-44203	9	1
10550H-44360	8	5
10550H-44611	8	14
10550H-44701	9	4
10550H-44760	9	8
10550H-44770	9	9
10550H-44830	9	14
10550H-44950	9	16
10550H-55810	8	44
10550H-59510	11	61
10550H-59560	11	63
10550H-59570	11	64
10550H-66040	12	21
10550H-66150	12	20
105570-51602	10	26
10557H-01330	1	12
	16	3
10557H-11120	2	11
10557H-14010	4	1
10557H-14090	4	3
10557H-21290	5	7
10557H-21520	5	8
105582-34100	7	11
105600-01560	1	1
10560G-28300	4	16
10560G-28310	4	17
10560H-01390	1	13
10560H-01900	1	5
10560H-02310	5	21
10560H-02500	5	14
10560H-12020	3	1
10560H-12510	3	3
10560H-12700	3	4
10560H-12750	3	6

Parts No. Index

Parts No.	Fig. No.	Ref. No.
10560H-12800	3	7
10560H-13512	3	22
10560H-14100	4	4
10560H-21200	5	9
10560H-21400	5	10
10560H-21700	5	1
10560H-28410	4	19
10560H-44250	8	2
10560H-44330	8	3
10560H-44340	8	4
10560H-44501	8	8
10560H-55240	8	40
10560H-55700	8	26
10560H-92600	16	1
10567H-07250	8	25
10567H-11010	2	1
10567H-22092	6	1
10567H-22500	6	3
10567H-55240	8	41
10567H-59801	11	66
10570H-08101	7	27
10570H-12551	3	16
10570H-12710	3	5
10570H-76340	7	36
10570H-76480	7	37
10570H-76790	7	40
10571H-61250	1	24
106100-44560	8	13
10610H-44651	9	15
106383-44740	9	6
106430-59100	11	58
114250-51190	10	5
114250-53130	11	9
119600-11450	2	17
	16	6
119600-11460	2	18
119620-53001	11	3
119620-53080	11	4
119620-53120	11	8
119620-53140	11	10
119620-59700	11	65
119803-53400	11	11
121250-44590	8	10
123672-83880	4	26
124060-66950	12	44
124550-51320	10	17
124550-51341	10	18
124550-51350	10	19
	16	13
124550-51370	10	20

Parts No.	Fig. No.	Ref. No.
124550-51370	16	14
124722-59050	11	56
124766-59050	11	57
124950-51190	10	6
158552-51930	11	2
158600-51170	10	3
160725-78350	8	17
174100-54120	10	12
174307-51181	10	4
174307-51700	10	29
22117-060000	8	18
22117-100000	12	32
22137-060000	12	33
22190-100002	12	45
22217-040000	7	22
22217-060000	8	19
22217-080000	3	32
	9	17
22217-120000	7	46
	9	11
	15	5
22242-000200	7	43
22242-000500	5	22
22252-000100	1	22
22312-030180	2	39
22322-030160	2	36
22322-030220	12	27
22351-060012	1	4
	20	20
	2	8
23064-090330	7	24
24101-060054	4	27
24101-060064	4	11
24101-060094	4	28
24107-062013	9	12
24190-120001	1	23
	12	17
24311-000060	1	35
24311-000070	2	40
	12	34
	16	16
24311-000160	11	52
24311-000320	1	36
	16	5
24321-000250	1	37
24321-000450	3	18
24341-000200	7	16
	16	11
24351-350530	3	15
25117-003851	9	19

Parts No.	Fig. No.	Ref. No.
26013-060142	8	20
26013-060162	8	21
26013-060182	8	22
		23
26013-060222	4	29
26013-080202	5	23
26014-060142	8	24
		45
	12	35
	13	6
26014-080162	9	20
26022-050102	10	43
	12	18
26022-060122	4	12
26106-060102	8	46
26106-060122	5	13
	7	10
		32
26106-060142	1	38
26106-060202	2	42
	9	21
26106-060222	7	25
26106-060252	1	39
	7	26
26106-060652	1	40
26106-060702	2	43
26106-080142	4	30
26106-080162	8	47
26106-080202	3	19
26106-080222	8	48
26106-080302	9	22
	11	55
26106-100202	8	49
26106-100552	4	31
26116-060102	5	18
26116-060504	9	23
26206-120352	15	6
26216-080202	3	33
26216-080222	1	41
26216-080502	2	28
26347-060002	12	36
26366-060002	1	42
26366-080002	1	43
	2	29
	3	34
	9	18
26557-060102	7	33
26557-060202	3	35
26587-080122	4	13
26617-120002	15	7

Parts No.	Fig. No.	Ref. No.
26636-080002	3	20
26706-120002	7	47
26756-060002	9	24
	12	37
		49
26756-080002	2	22
		26
26777-120002	9	13
26796-100002	12	46
27310-080001	2	30
28110-100120	14	4
28110-140170	14	5
28110-190220	14	6
705300-61701	12	1
705500-23600	6	16
705500-23610	6	18
705500-23620	6	20
70567H-51201	10	1
711100-51540	10	9
719255-53100	11	1
724550-51520	10	7