

0CC50-M00460EN

P R E F A C E

This parts catalog is the 1st edition of L70N5EU8C0HANF for NILFISK.

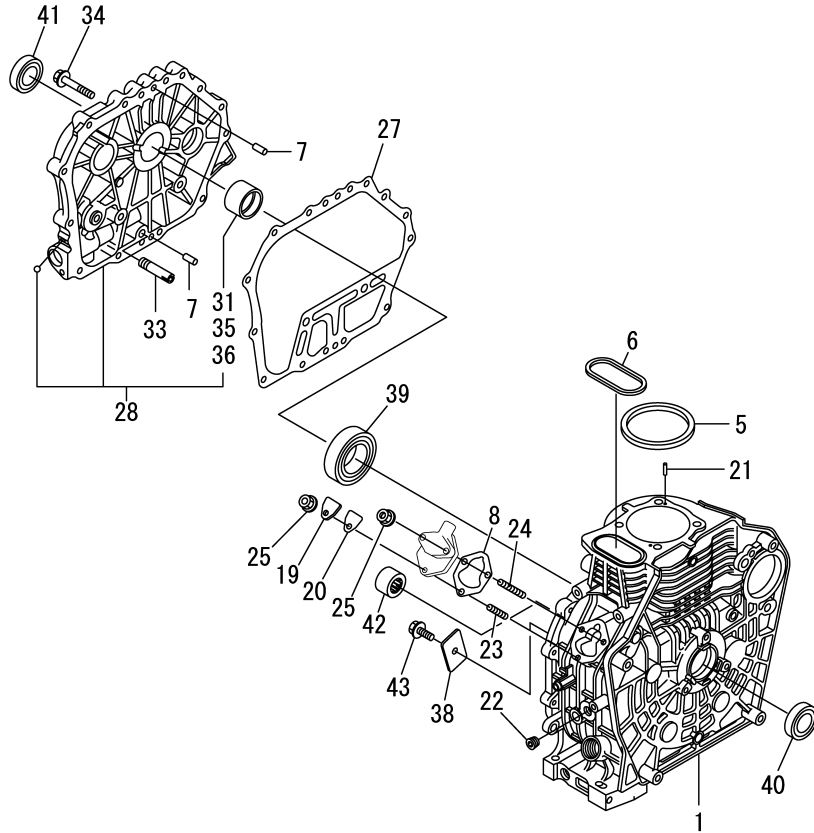
Published : July, 2015

Contents

OCC50-M00460

Fig. No.	Fig. Name	Fig. No.	Fig. Name
ENGINE			
1.	CYLINDER BLOCK		
2.	DRAIN PLUG		
3.	LABEL		
4.	CYLINDER HEAD & BONNET		
5.	AIR CLEANER		
6.	EXHAUST MUFFLER		
7.	CAMSHAFT		
8.	CRANKSHAFT		
9.	FLYWHEEL		
10.	PISTON & CONNECTING ROD		
11.	BALANCER SHAFT		
12.	LUB. OIL PUMP & GOVERNOR		
13.	SWITCH(OIL PRESSURE)		
14.	COVER		
15.	COOLING FAN CASE		
16.	FUEL INJECTION PUMP & FUEL INJECTION VALVE		
17.	FUEL TANK & FUEL PIPE		
18.	CONTROL DEVICE		
19.	STARTER MOTOR		
20.	ACCESSORY		
21.	GASKET SET & TOOL		

Fig.1. CYLINDER BLOCK



(A)=L70N5EU8C0HANF
(B)=
(C)=

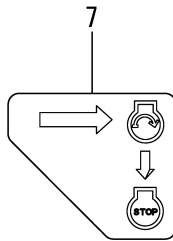
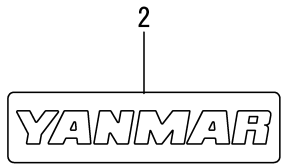
(D)=
(E)=
(F)=

No.	Lev.	Parts No.	Description	Q'ty						I	R
				(A)	(B)	(C)	(D)	(E)	(F)		
1	1	114210-01020	BLOCK ASSY, CYLINDER	1							
5	1	114395-01341	GASKET, HEAD 0.5	1							
6	1	114399-01380	O-RING	1							
7	1	114299-01600	PIN, 8X12	2							
8	1	114299-01800	SHIM SET	1							
19	1	114299-01830	COVER	1							
20	1	114250-01841	GASKET	1							
21	1	22312-040080	PIN, PARALLEL M4X 8	2							
22	1	23875-020000	PLUG, R02	1							
23	1	26226-060182	STUD, M6X 18	1							
24	1	26226-060222	STUD, M6X 22	2							
25	1	26366-060002	NUT, M6	3							
27	1	114399-01410	GASKET, CRANK CASE	1							
28	1	114210-01450	COVER(E-D,CRANK CASE	1							
31	2	114350-02100	BEARING, MAIN	1							1
33	1	114299-35150	PIPE, OIL INLET	1							
34	1	26106-080352	BOLT, M8X 35 PLATED	15							
35	1	114350-02200	BEARING, 0.25 US	1							2
36	1	114350-02210	BEARING, 0.50 US	1							3
38	1	114299-02030	RETAINER, BEARING	1							
39	1	114350-02113	BEARING, B35-135G3C3	1							
40	1	160110-02220	SEAL, OIL	1							
41	1	160110-02220	SEAL, OIL	1							
42	1	24162-152116	BEARING, 152116	1							
43	1	26106-080122	BOLT, M8X 12 PLATED	1							

Remarks

- (1) Spare parts.
- (2) Under-sized(U.S.=0.25) parts.
- (3) Under-sized(U.S.=0.50) parts.

Fig.3. LABEL

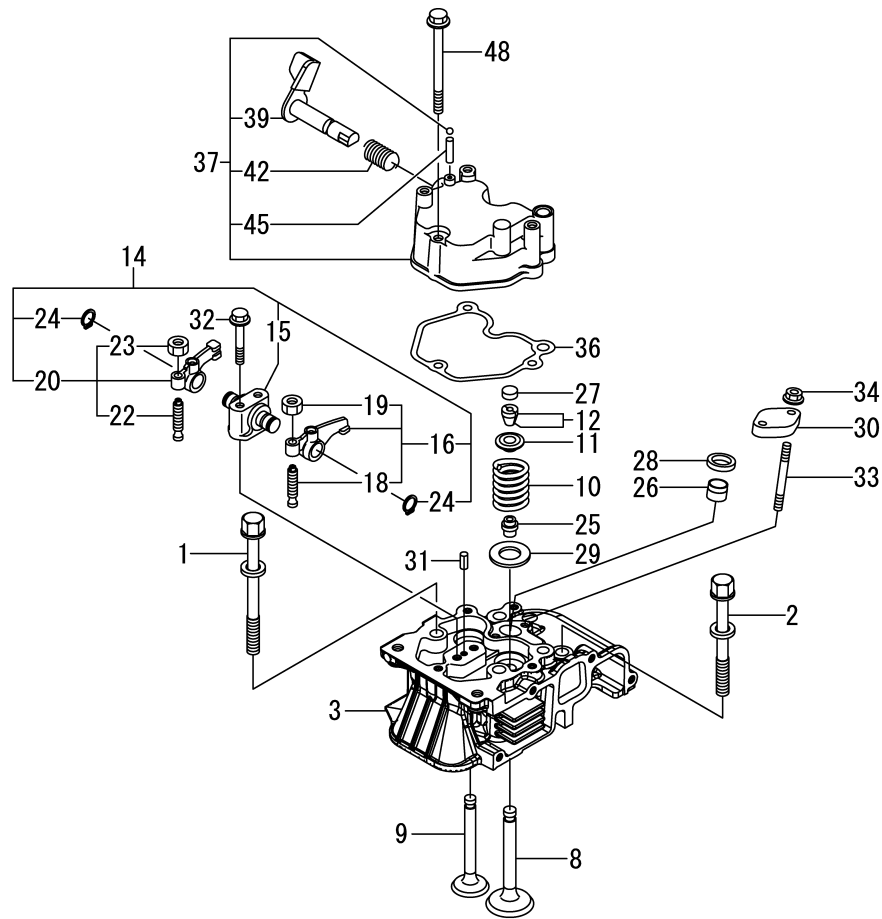


(A)=L70N5EU8C0HANF
(B)=
(C)=

(D)=
(E)=
(F)=

No.	Lev.	Parts No.	Description	Q'ty						I	R
				(A)	(B)	(C)	(D)	(E)	(F)		
2	1	114299-07111	LABEL, YANMAR MARK B	1							
5	1	114220-07130	LABEL, HOT SURFACE	1							
7	1	114220-07151	LABEL, CONSTANT SPEE	1							

Fig.4. CYLINDER HEAD & BONNET



(A)=L70N5EU8C0HANF
(B)=
(C)=

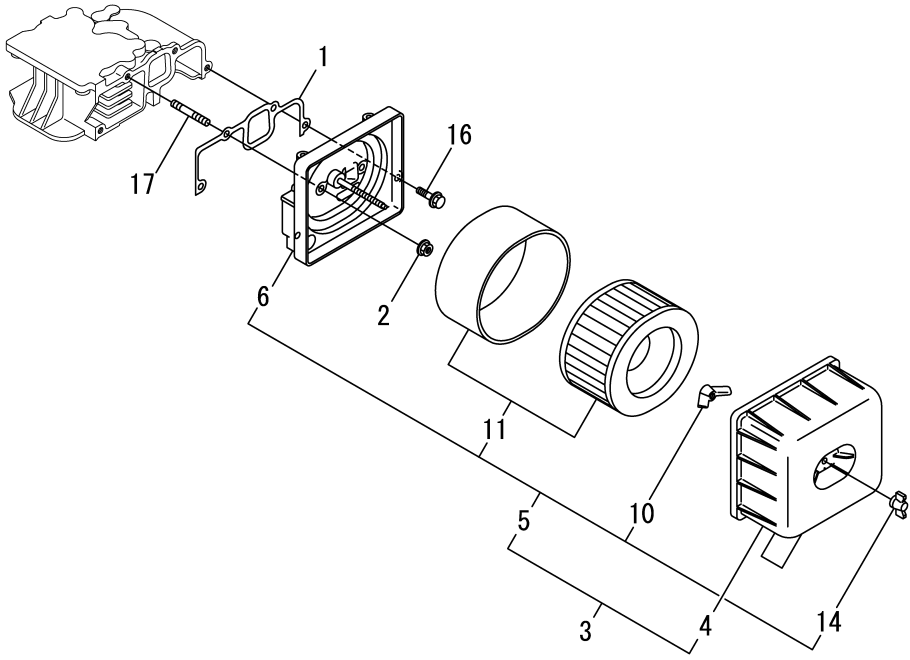
(D)=
(E)=
(F)=

No.	Lev.	Parts No.	Description	Q'ty						I	R
				(A)	(B)	(C)	(D)	(E)	(F)		
1	1	114210-01200	BOLT, CYL.HEAD A	2							
2	1	114210-01210	BOLT, CYL.HEAD B	2							
3	1	11422C-11020	HEAD ASSY, CYLINDER	1							
8	1	11421C-11100	VALVE, INTAKE	1							
9	1	11421C-11110	VALVE, EXHAUST	1							
10	1	114210-11120	SPRING, VALVE	2							
11	1	114210-11180	RETAINER, SPRING	2							
12	1	114210-11930	COTTER ASSY	2							
14	1	11421C-11250	SUPPORT ASSY, ARM	1							
15	2	11421C-11260	SUPPORT, ROCKER ARM	1							
16	2	11421C-11650	ARM ASSY, ROCKER	1							
18	3	114250-11240	SCREW, VALVE ADJUST	1							
19	3	26856-060002	NUT, M6	1							
20	2	11421C-11660	ARM ASSY, ROCKER	1							
22	3	114250-11240	SCREW, VALVE ADJUST	1							
23	3	26856-060002	NUT, M6	1							
24	2	22242-000120	RING, 12	2							
25	1	114350-11341	SEAL, VALVE STEM	2							
26	1	114240-11450	PROTECTOR, NOZZLE	1							
27	1	105010-11490	CAP, VALVE	2							
28	1	114240-11550	SEAT, NOZZLE	1							
29	1	114299-11600	WASHER, VALVE SPRING	2							
30	1	114210-11901	RETAINER, NOZZLE	1							
31	1	22351-040008	PIN, SPRING 4.0X 8	1							
32	1	26106-060402	BOLT, M6X 40 PLATED	2							
33	1	26226-060552	STUD, M6X 55	2							
34	1	26366-060002	NUT, M6	2							
36	1	114210-11310	GASKET, BONNET	1							
37	1	114210-11950	BONNET ASSY, HEAD	1							
39	2	114210-03590	DECOMPRESSION ASSY	1							
42	2	114299-03640	SPRING,DECOMPRESSION	1							
45	2	22312-030160	PIN, PARALLEL M3X16	1							
48	1	26106-060552	BOLT, M6X 55 PLATED	3							

Fig.5. AIR CLEANER

(A)=L70N5EU8C0HANF
(B)=
(C)=

(D)=
(E)=
(F)=

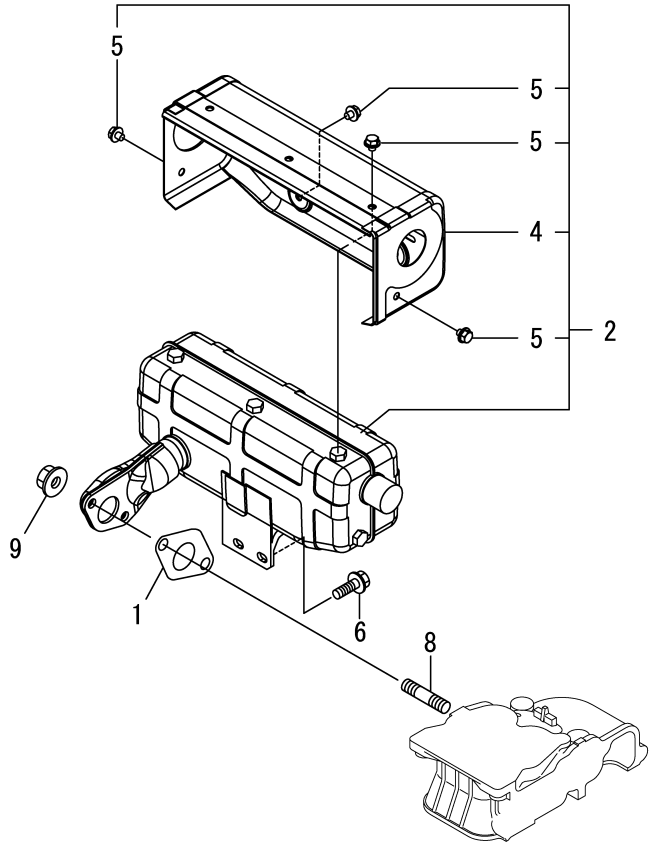


No.	Lev.	Parts No.	Description	Q'ty						I	R
				(A)	(B)	(C)	(D)	(E)	(F)		
1	1	114210-12210	GASKET, AIR CLEANER	1							
2	1	114299-12300	NUT	3							
3	1	114220-12510	CLEANER ASSY, AIR	1							
4	2	114239-12520	COVER, AIR CLEANER	1							
5	2	114220-12910	CLEANER ASSY(SUB,AIR	1							
6	3	114220-12010	BODY ASSY,AIR CLEANE	1							
10	3	114210-12560	NUT, WING	1							
11	3	114210-12590	ELEMENT ASSY, AIR	1							
14	3	114210-12600	LOCKING KNOB	1							
16	1	26106-060202	BOLT, M6X 20 PLATED	1							
17	1	26226-060302	STUD, M6X 30	3							

Fig.6. EXHAUST MUFFLER

(A)=L70N5EU8C0HANF
 (B)=
 (C)=

(D)=
 (E)=
 (F)=

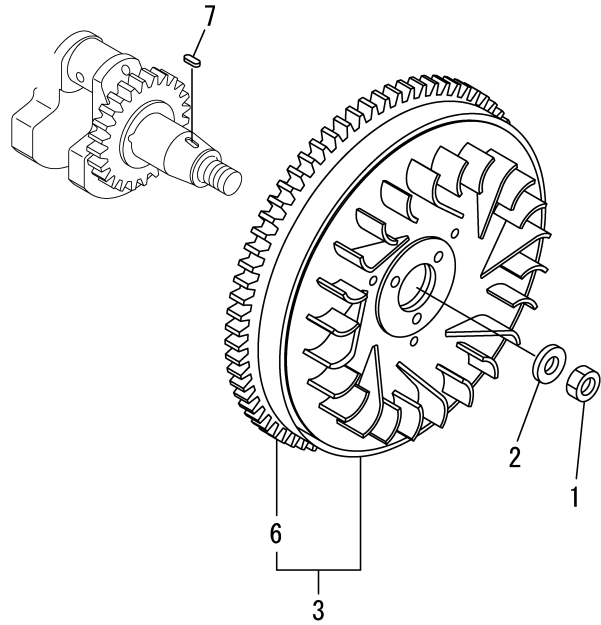


No.	Lev.	Parts No.	Description	Q'ty						I	R
				(A)	(B)	(C)	(D)	(E)	(F)		
1	1	114299-13200	GASKET, MUFFLER	1							
2	1	114249-13500	MUFFLER ASSY	1							
4	2	114249-13700	COVER, MUFFLER	1							
5	2	114883-13950	BOLT, M6X6	7							
6	1	26106-060142	BOLT, M6X 14 PLATED	2							
8	1	26216-080182	STUD, M8X 18	2							
9	1	26306-080002	NUT, M8	2							

Fig.9. FLYWHEEL

(A)=L70N5EU8C0HANF
 (B)=
 (C)=

(D)=
 (E)=
 (F)=

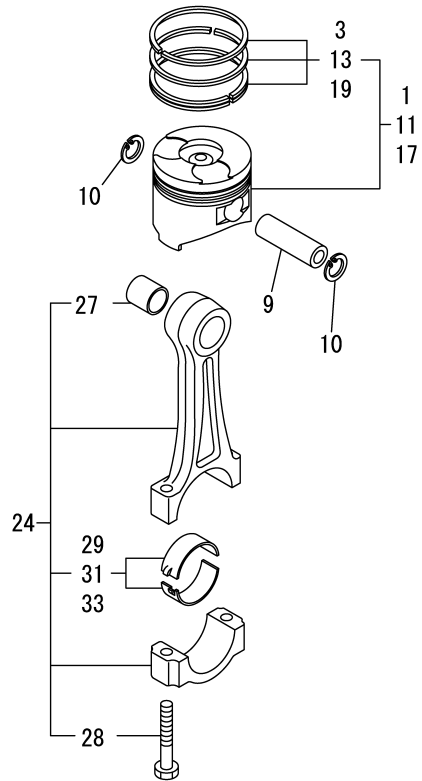


No.	Lev.	Parts No.	Description	Q'ty						I	R
				(A)	(B)	(C)	(D)	(E)	(F)		
1	1	114299-21220	NUT	1							
2	1	114299-21550	WASHER	1							
3	1	114399-21590	FLYWHEEL ASSY	1							
6	2	114399-21600	GEAR, RING	1							
7	1	22512-040120	KEY, 4X 12	1							

Fig.10. PISTON & CONNECTING ROD

(A)=L70N5EU8C0HANF
(B)=
(C)=

(D)=
(E)=
(F)=



No.	Lev.	Parts No.	Description	Q'ty						I	R
				(A)	(B)	(C)	(D)	(E)	(F)		
1	1	714220-22720	PISTON W/RINGS (D)	1							
3	2	714870-22502	RING SET, PISTON	1							
9	1	114399-22300	PIN, PISTON D=21	1							
10	1	22252-000210	RING, 21	2							
11	1	714220-22620	PISTON W/RING .25OS	1							1
13	2	714870-22542	RING SET, 0.25 OS	1							1
17	1	714220-22580	PISTON W/RING .50OS	1							2
19	2	714870-22552	RING SET, 0.50 OS	1							2
24	1	71421C-23010	ROD ASSY, CONNECTING	1							
27	3	114380-23100	BEARING, PISTON PIN	1							
28	3	118200-23200	BOLT, CONNECTING ROD	2							
29	2	114210-23600	BEARING, CRANK PIN	1							
31	1	114210-23610	BEARING,PIN(U.S.=0.25	1							3
33	1	114210-23620	BEARING,PIN(U.S.=0.50	1							4

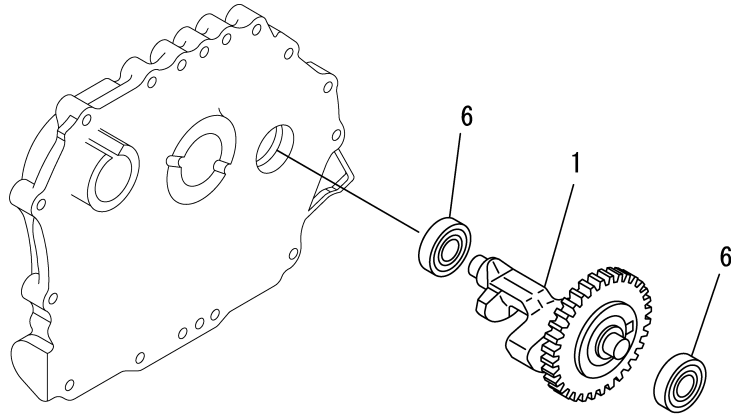
Remarks

- (1)Over-sized(O.S.=0.25) parts.
- (2)Over-sized(O.S.=0.50) parts.
- (3)Under-sized(U.S.=0.25) parts.
- (4)Under-sized(U.S.=0.50) parts.

Fig.11. BALANCER SHAFT

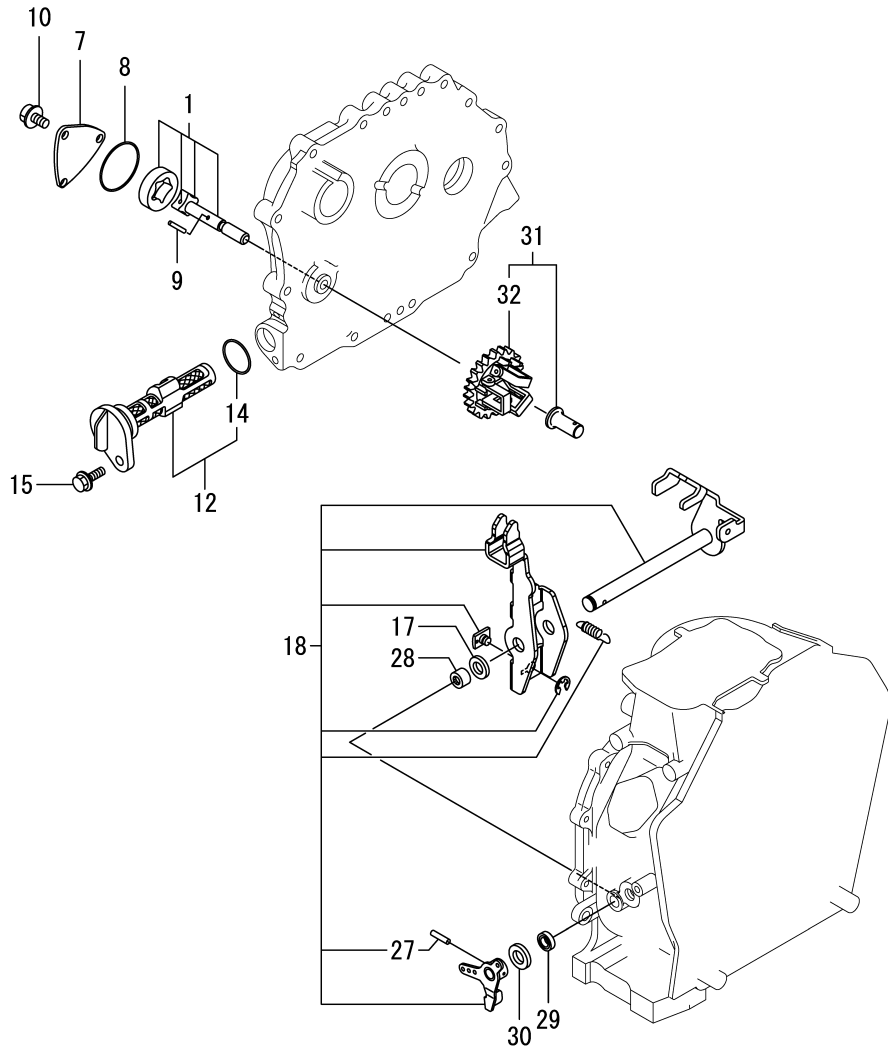
(A)=L70N5EU8C0HANF
(B)=
(C)=

(D)=
(E)=
(F)=



No.	Lev.	Parts No.	Description	Q'ty						I	R
				(A)	(B)	(C)	(D)	(E)	(F)		
1	1	714210-28510	SHAFT ASSY, BALANCER	1							
6	1	114210-28050	BEARING, 6203 C0L	2							

Fig.12. LUB. OIL PUMP & GOVERNOR



(A)=L70N5EU8C0HANF
(B)=
(C)=

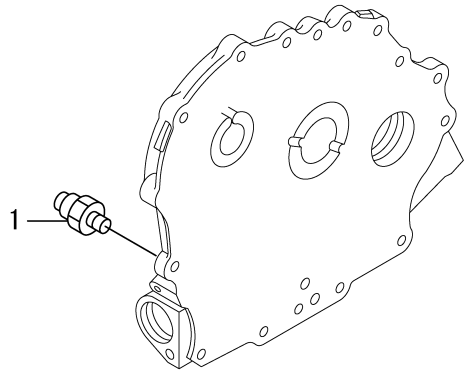
(D)=
(E)=
(F)=

No.	Lev.	Parts No.	Description	Q'ty						I	R
				(A)	(B)	(C)	(D)	(E)	(F)		
1	1	114250-32010	PUMP ASSY, OIL	1							
7	1	114299-32070	COVER	1							
8	1	114299-32570	O-RING	1							
9	1	22312-030160	PIN, PARALLEL M3X16	1							
10	1	26106-060122	BOLT, M6X 12 PLATED	3							
12	1	114299-35110	FILTER ASSY, OIL	1							
14	2	24341-000224	O-RING, 1AS22.4	1							
15	1	26106-060162	BOLT, M6X 16 PLATED	1							
17	1	114299-61190	WASHER	1							
18	1	114211-61500	LEVER ASSY, GOVERNOR	1							1
27	2	22322-030200	PIN, TAPER 3X20	1							
28	1	114770-61520	BEARING, NEEDLE	2							
29	1	114299-61600	SEAL, OIL	1							
30	1	114770-61610	WASHER, THRUST	1							
31	1	714210-61701	GOVERNOR ASSY	1							
32	2	114210-61290	WEIGHT ASSY,GOVERNOR	1							

Remarks

(1)On a guarantee of quality component part shall not be sold.

Fig.13. SWITCH(OIL PRESSURE)

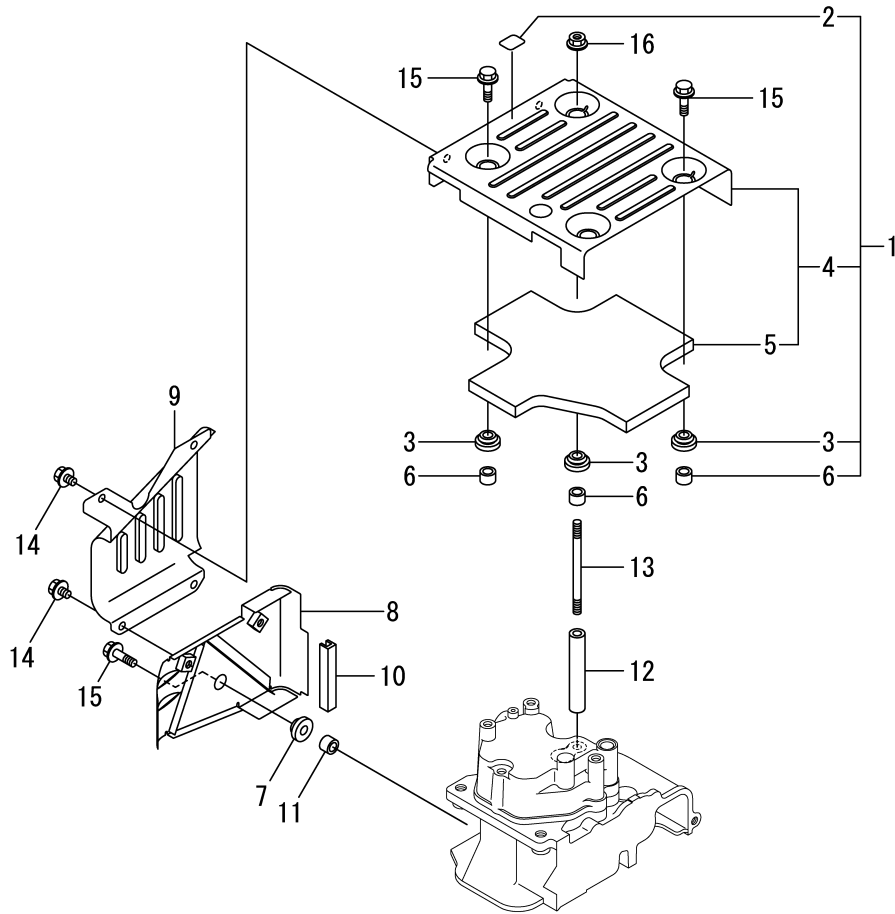


(A)=L70N5EU8C0HANF
(B)=
(C)=

(D)=
(E)=
(F)=

No.	Lev.	Parts No.	Description	Q'ty						I	R
				(A)	(B)	(C)	(D)	(E)	(F)		
1	1	183250-39450	SWITCH, HYDRAULIC	1							

Fig.14. COVER



(A)=L70N5EU8C0HANF
(B)=
(C)=

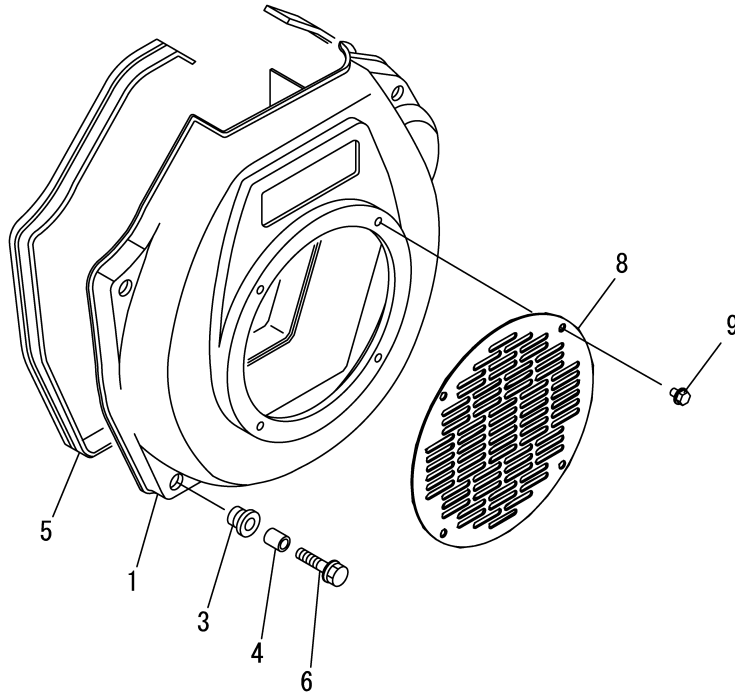
(D)=
(E)=
(F)=

No.	Lev.	Parts No.	Description	Q'ty						I	R
				(A)	(B)	(C)	(D)	(E)	(F)		
1	1	114220-45210	COVER ASSY, TOP	1							
2	2	114220-07120	LABEL, DECOMPRESSION	1							
3	2	114299-45220	GROMMET	4							
4	2	114210-45320	COVER, TOP	1							
5	3	114210-45310	DAMPER	1							
6	2	114399-45340	COLLAR	4							
7	1	114299-45220	GROMMET	1							
8	1	114210-45260	COVER B, SIDE (13)	1							
9	1	114210-45270	COVER A, SIDE (13)	1							
10	1	114399-45320	RUBBER, SEAL	1							
11	1	114399-45340	COLLAR	1							
12	1	114210-45350	SPACER, TOP COVER	1							
13	1	114210-45360	STUD BOLT, TOP COVER	1							
14	1	26106-060082	BOLT, M6X 8 PLATED	4							
15	1	26106-060202	BOLT, M6X 20 PLATED	4							
16	1	26366-060002	NUT, M6	1							

Fig.15. COOLING FAN CASE

(A)=L70N5EU8C0HANF
(B)=
(C)=

(D)=
(E)=
(F)=

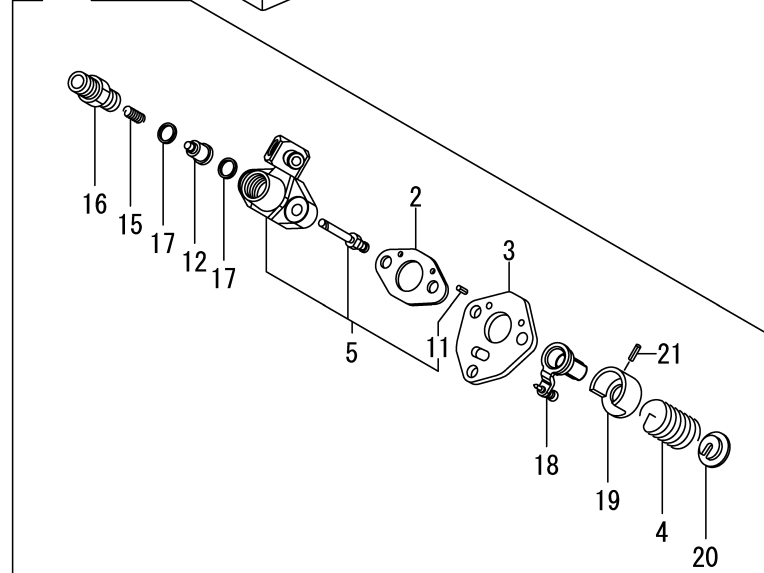
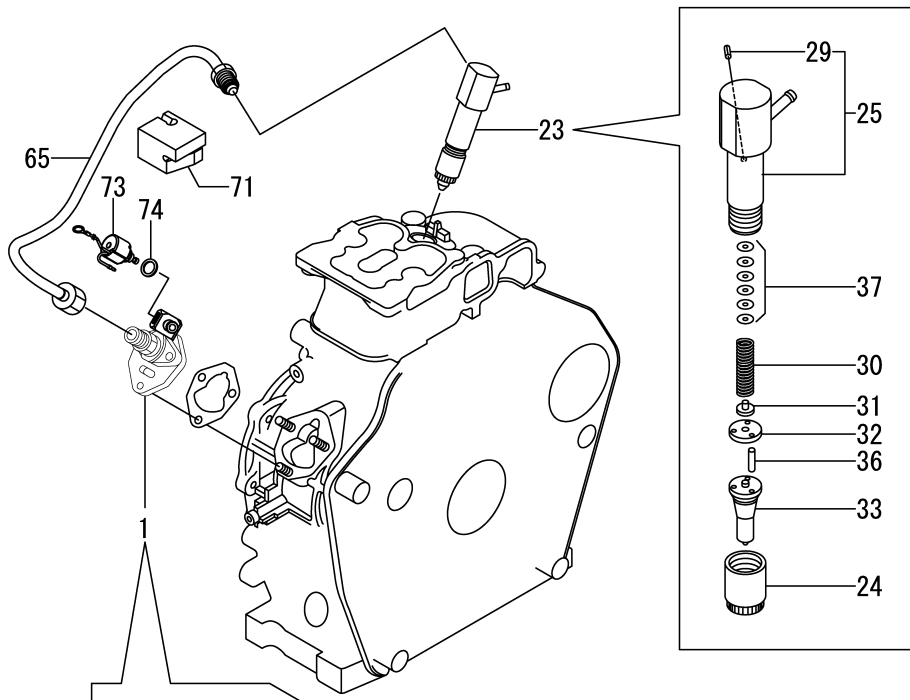


No.	Lev.	Parts No.	Description	Q'ty						I	R
				(A)	(B)	(C)	(D)	(E)	(F)		
1	1	114210-45150	CASE, COOLING FAN	1							
3	1	114299-45301	RUBBER, CUSHION	4							
4	1	114299-45310	COLLAR	4							
5	1	114299-45331	SEAL, FAN CASE	1							
6	1	114299-45350	BOLT, FAN CASE	4							
8	1	114354-45180	COVER, DUST	1							
9	1	26106-060082	BOLT, M6X 8 PLATED	4							

Fig.16. FUEL INJECTION PUMP & FUEL INJECTION VALVE

(A)=L70N5EU8C0HANF
(B)=
(C)=

(D)=
(E)=
(F)=



No.	Lev.	Parts No.	Description	Q'ty						I	R
				(A)	(B)	(C)	(D)	(E)	(F)		
1	1	714239-51310	F.I.PUMP ASSY	1							
2	2	105546-51020	GASKET	1							
3	2	114250-51080	PLATE	1							
4	2	114250-51160	SPRING, PLUNGER	1							
5	2	114239-51200	BODY ASSY, PUMP	1							
11	4	22351-020006	PIN, SPRING 2.0X 6	2							
12	2	114650-51300	VALVE ASSY, DELIVERY	1							
15	2	105546-51330	SPRING, DELIVERY	1							
16	2	114250-51340	HOLDER, DELIVERY	1							
17	2	124550-51350	GASKET, DELIVERY	2							
18	2	114250-51500	LEVER, CONTROL	1							
19	2	114250-51640	SEAT, SPRING	1							
20	2	114250-51650	SEAT, SPRING	1							
21	2	22351-030008	PIN, SPRING 3.0X 8	1							
23	1	714239-53200	VALVE ASSY,INJECTION	1							
24	2	114250-53080	NUT, NOZZLE	1							
25	2	114339-53100	HOLDER ASSY, NOZZLE	1							
29	3	22351-025005	PIN, SPRING 2.5X 6	1							
30	2	114250-53120	SPRING, NOZZLE	1							
31	2	114250-53130	SEAT, SPRING	1							
32	2	114250-53140	SPACER	1							
33	2	114239-53200	NOZZLE ASSY	1							
36	2	114250-53210	PIN	2							
37	2	119803-53400	SHIM SET	1							
65	1	114210-59800	PIPE ASSY, INJECTION	1							
71	1	114210-59850	SUPPORT, INJ. PIPE	1							
73	1	114110-76910	VALVE ASSY, F/O CUT	1							
74	1	114299-83020	GASKET, 10X1.2	1							

Fig.17. FUEL TANK & FUEL PIPE

(A)=L70N5EU8C0HANF

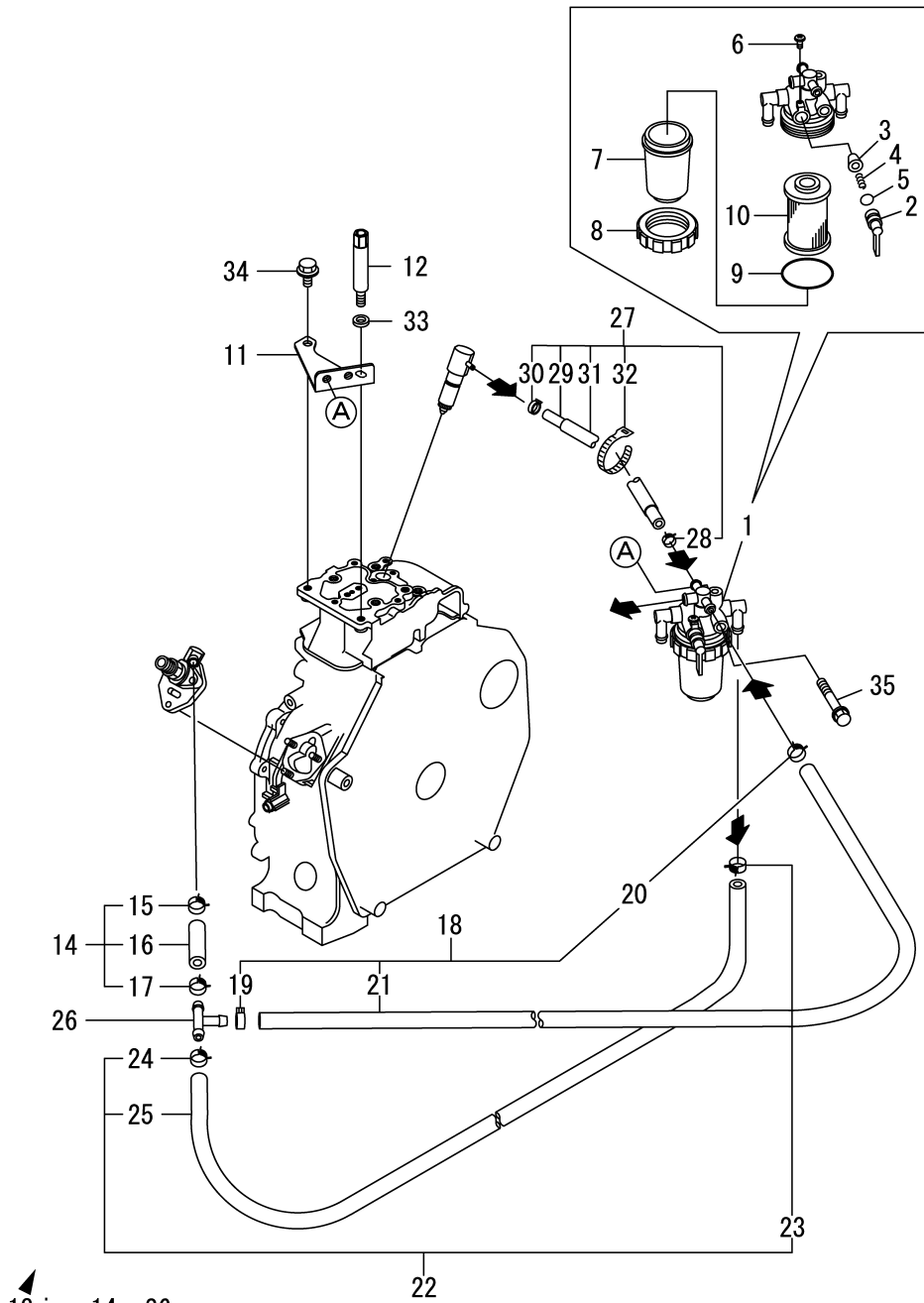
(B)=

(C)=

(D)=

(E)=

(F)=



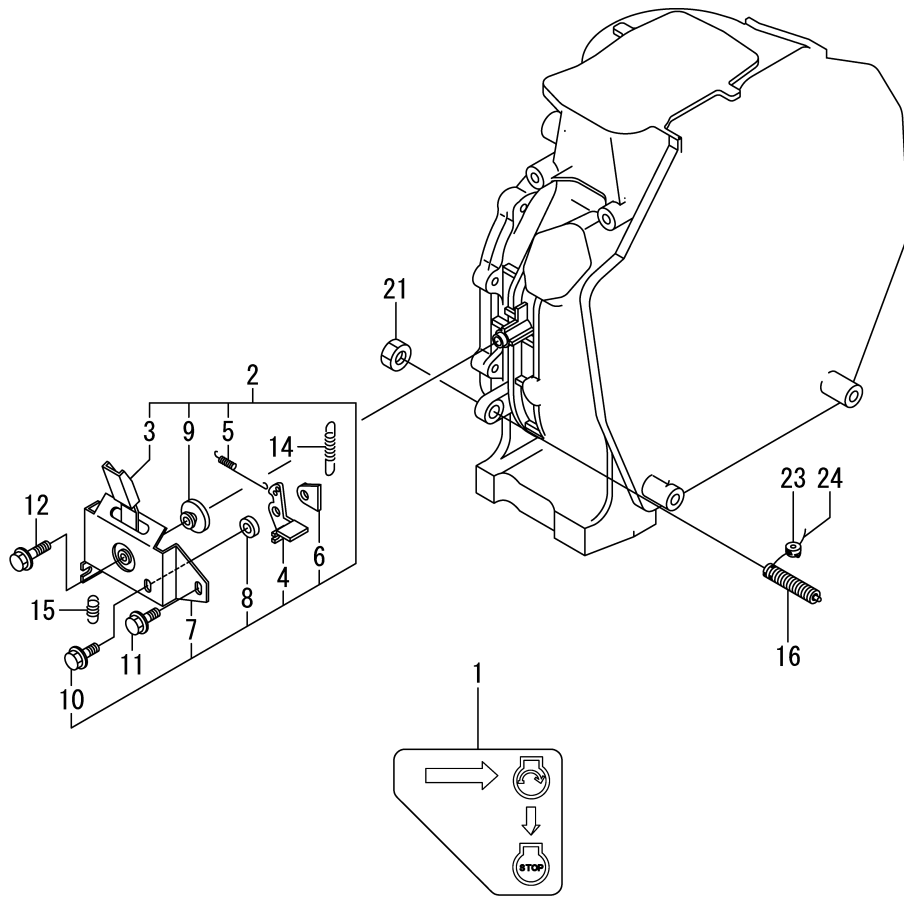
No.	Lev.	Parts No.	Description	Q'ty						I	R
				(A)	(B)	(C)	(D)	(E)	(F)		
1	1	114354-55501	FILTER ASSY, FUEL	1							
2	2	119810-55340	LEVER, FUEL	1							
3	2	104200-55321	VALVE, TAPER	1							
4	2	104200-55330	SPRING, FUEL VALVE	1							
5	2	24311-240100	O-RING, 1AP10A	1							
6	2	104200-55750	SCREW, PAN M4	1							
7	2	124064-55510	CUP, FUEL STARINER	1							
8	2	110250-55610	RING, CUP RETAINING	1							
9	2	102103-55520	O-RING	1							
10	2	114250-55510	ELEMENT	1							
11	1	114354-55600	BRACKET, FILTER	1							
12	1	114220-55810	BOLT, LIFTING	1							
13	1	114354-59101	PIPE ASSY, FUEL	1							
14	2	114354-59020	PIPE ASSY, FUEL A	1							
15	3	114270-59010	CLAMP, HOSE 12	1							
16	3	114250-59051	PIPE, FUEL L=46	1							
17	3	124766-59050	CLAMP, HOSE 11.5	1							
18	2	114354-59030	PIPE ASSY, FUEL C	1							
19	3	106990-44660	CLAMP, HOSE 12.5	1							
20	3	124766-59050	CLAMP, HOSE 11.5	1							
21	3	129470-59540	PIPE, FUEL	1							
22	2	114354-59040	PIPE ASSY, FUEL B	1							
23	3	106990-44660	CLAMP, HOSE 12.5	1							
24	3	124766-59050	CLAMP, HOSE 11.5	1							
25	3	183266-59340	PIPE, DRAIN L160	1							
26	2	119629-59910	JOINT, 3-WAY	1							
27	1	114239-59310	PIPE ASSY, FO RETURN	1							
28	2	124722-59050	CLAMP, HOSE 9	1							
29	2	114240-59070	PIPE, FO RETURN	1							
30	2	124066-59100	CLAMP, HOSE 8	1							
31	2	114240-59320	TUBE, PROTECTOR	1							
32	2	121750-59890	BAND, NYLON	1							
33	1	22117-080000	WASHER, 8	1							
34	1	26106-080162	BOLT, M8X 16 PLATED	1							
35	1	26106-080652	BOLT, M8X 65 PLATED	1							

13 inc. 14~26

Fig.18. CONTROL DEVICE

(A)=L70N5EU8C0HANF
(B)=
(C)=

(D)=
(E)=
(F)=

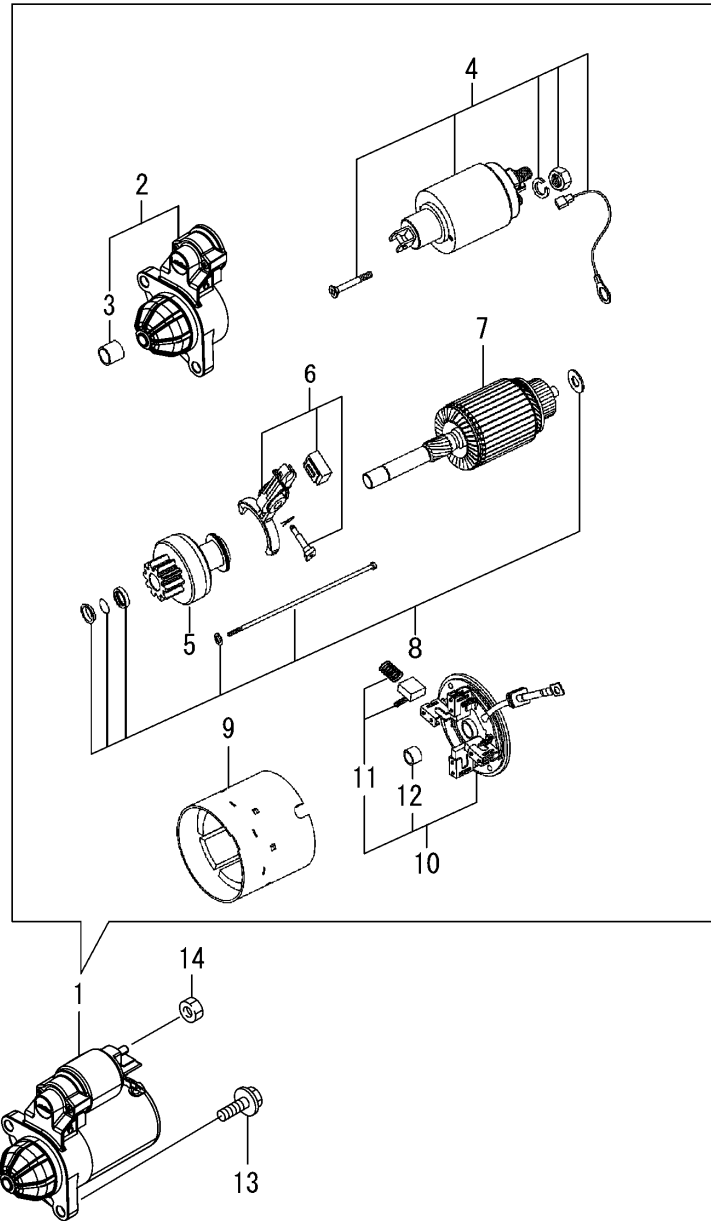


No.	Lev.	Parts No.	Description	Q'ty						I	R
				(A)	(B)	(C)	(D)	(E)	(F)		
1	1	114220-07151	LABEL, CONSTANT SPEE	1							
2	1	114210-66511	BRACKET ASSY, HANDLE	1							
3	2	114210-66300	HANDLE	1							
4	2	183250-66321	LEVER, LOCK	1							
5	2	114210-66330	SPRING, LOCK LEVER	1							
6	2	183250-66341	NUT, DETENT	1							
7	2	114210-66350	BRACKET	1							
8	2	183250-66361	COLLAR	1							
9	2	183250-66371	COLLAR	1							
10	2	26106-060162	BOLT, M6X 16 PLATED	1							
11	1	26106-060142	BOLT, M6X 14 PLATED	1							
12	1	26106-060202	BOLT, M6X 20 PLATED	1							
14	1	114210-66020	SPRING, REGULATOR	1							
15	1	114299-66201	SPRING, RETURN	1							
16	1	114211-66600	LIMITER ASSY, FUEL	1							
21	1	26776-100002	NUT, LOCK M10	1							
23	1	114780-61090	TIN	1							
24	1	22451-060000	WIRE, 0.6	1							

Fig.19. STARTER MOTOR

(A)=L70N5EU8C0HANF
(B)=
(C)=

(D)=
(E)=
(F)=



No.	Lev.	Parts No.	Description	Q'ty						I	R
				(A)	(B)	(C)	(D)	(E)	(F)		
1	1	114320-77020	MOTOR ASSY, STARTER	1							
2	2	114320-77200	GEAR, CASE	1							
3	3	114320-77210	BUSH, TOP SIDE	1							
4	2	114320-77220	SWITCH ASSY,MAGNETIC	1							
5	2	114320-77230	PINION ASSY, CLUTCH	1							
6	2	114320-77240	LEVER KIT, SHIFT	1							
7	2	114320-77250	ARMATURE ASSY	1							
8	2	114320-77260	BOLT ASSY, THROUGH	2							
9	2	114320-77270	YOKE ASSY	1							
10	2	114320-77280	COVER ASSY, REAR	1							
11	3	114320-77290	HOLDER ASSY, BRUSH	4							
12	3	114320-77300	BUSH, REAR SIDE	1							
13	1	26106-100302	BOLT, M10X 30 PLATED	2							
14	1	26716-080002	NUT, M8	1							

Fig.20. ACCESSORY

(A)=L70N5EU8C0HANF
(B)=
(C)=

(D)=
(E)=
(F)=

No.	Lev.	Parts No.	Description	Q'ty						I	R
				(A)	(B)	(C)	(D)	(E)	(F)		
2	1	119225-52102	PUMP, FUEL FEED	1							

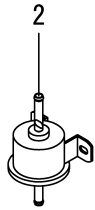
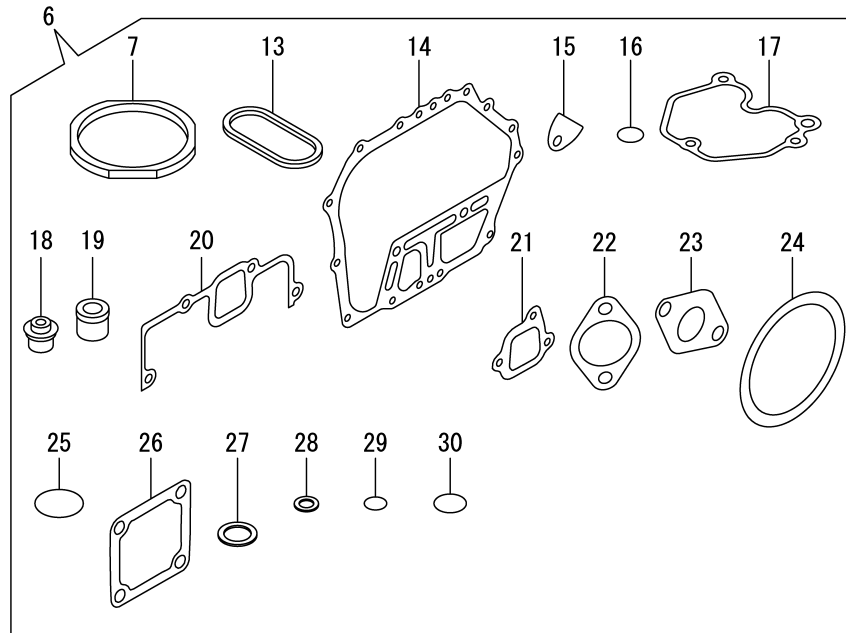
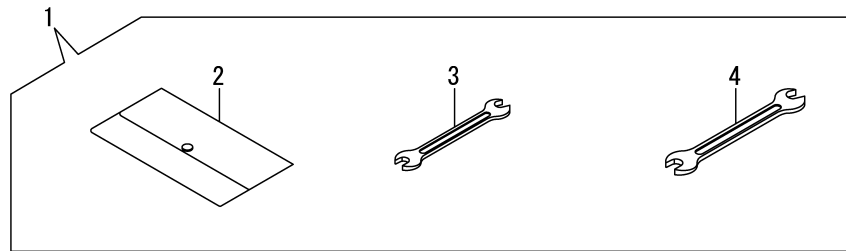


Fig.21. GASKET SET & TOOL

(A)=L70N5EU8C0HANF
(B)=
(C)=

(D)=
(E)=
(F)=



No.	Lev.	Parts No.	Description	Q'ty						I	R
				(A)	(B)	(C)	(D)	(E)	(F)		
1	1	114299-92590	BOX, TOOL	1							
2	2	114299-92600	BAG, TOOL	1							
3	2	114299-92710	WRENCH	1							
4	2	114299-92720	WRENCH	1							
6	1	114220-92600	GASKET SET	1							1
7	2	114395-01331	GASKET, HEAD	1							
13	2	114399-01380	O-RING	1							
14	2	114399-01410	GASKET, CRANK CASE	1							
15	2	114250-01841	GASKET	1							
16	2	114299-01950	O-RING, 18	2							
17	2	114210-11310	GASKET, BONNET	1							
18	2	114350-11341	SEAL, VALVE STEM	2							
19	2	114771-11461	GASKET, NOZZLE	1							
20	2	114210-12210	GASKET, AIR CLEANER	1							
21	2	114299-12210	GASKET, AIR CLEANER	2							
22	2	114299-12920	GASKET, AIR CLEANER	1							
23	2	114299-13200	GASKET, MUFFLER	1							
24	2	114399-21980	GASKET	1							
25	2	114299-32570	O-RING	1							
26	2	129100-77510	GASKET, AIR HEATER	3							
27	2	22190-160002	WASHER, SEAL 16	2							
28	2	23414-080000	GASKET, 8X1.0	1							
29	2	24341-000150	O-RING, 1AS15.0	1							
30	2	24341-000224	O-RING, 1AS22.4	1							

Remarks

(1)Optional parts.

Parts No. Index

Parts No.	Fig. No.	Ref. No.
102103-55520	17	9
104200-55321	17	3
104200-55330	17	4
104200-55750	17	6
105010-11490	4	27
105546-51020	16	2
105546-51330	16	15
106990-44660	17	19
		23
110250-55610	17	8
114110-76910	16	73
114210-01020	1	1
114210-01200	4	1
114210-01210	4	2
114210-01450	1	28
114210-03590	4	39
114210-11120	4	10
114210-11180	4	11
114210-11310	4	36
	21	17
114210-11901	4	30
114210-11930	4	12
114210-11950	4	37
114210-12210	5	1
	21	20
114210-12560	5	10
114210-12590	5	11
114210-12600	5	14
114210-14200	7	6
114210-14300	7	7
114210-14400	7	12
114210-23600	10	29
114210-23610	10	31
114210-23620	10	33
114210-28050	11	6
114210-45150	15	1
114210-45260	14	8
114210-45270	14	9
114210-45310	14	5
114210-45320	14	4
114210-45350	14	12
114210-45360	14	13
114210-59800	16	65
114210-59850	16	71
114210-61290	12	32
114210-66020	18	14
114210-66300	18	3
114210-66330	18	5
114210-66350	18	7
114210-66511	18	2

Parts No.	Fig. No.	Ref. No.
114211-61500	12	18
114211-66600	18	16
11421C-11100	4	8
11421C-11110	4	9
11421C-11250	4	14
11421C-11260	4	15
11421C-11650	4	16
11421C-11660	4	20
11421C-21840	8	1
114220-07120	14	2
114220-07130	3	5
114220-07151	3	7
	18	1
114220-12010	5	6
114220-12510	5	3
114220-12910	5	5
114220-45210	14	1
114220-55810	17	12
114220-92600	21	6
11422C-11020	4	3
114239-12520	5	4
114239-51200	16	5
114239-53200	16	33
114239-59310	17	27
114240-11450	4	26
114240-11550	4	28
114240-59070	17	29
114240-59320	17	31
114249-13500	6	2
114249-13700	6	4
114250-01841	1	20
	21	15
114250-11240	4	18
		22
114250-32010	12	1
114250-51080	16	3
114250-51160	16	4
114250-51340	16	16
114250-51500	16	18
114250-51640	16	19
114250-51650	16	20
114250-53080	16	24
114250-53120	16	30
114250-53130	16	31
114250-53140	16	32
114250-53210	16	36
114250-55510	17	10
114250-59051	17	16
114270-59010	17	15
114299-01600	1	7

Parts No.	Fig. No.	Ref. No.
114299-01690	2	1
114299-01800	1	8
114299-01830	1	19
114299-01950	2	4
	21	16
114299-02030	1	38
114299-03640	4	42
114299-07111	3	2
114299-11600	4	29
114299-12210	21	21
114299-12300	5	2
114299-12920	21	22
114299-13200	6	1
	21	23
114299-21220	9	1
114299-21550	9	2
114299-32070	12	7
114299-32570	12	8
	21	25
114299-35110	12	12
114299-35150	1	33
114299-45220	14	3
		7
114299-45301	15	3
114299-45310	15	4
114299-45331	15	5
114299-45350	15	6
114299-61190	12	17
114299-61600	12	29
114299-66201	18	15
114299-83020	16	74
114299-92590	21	1
114299-92600	21	2
114299-92710	21	3
114299-92720	21	4
114320-77020	19	1
114320-77200	19	2
114320-77210	19	3
114320-77220	19	4
114320-77230	19	5
114320-77240	19	6
114320-77250	19	7
114320-77260	19	8
114320-77270	19	9
114320-77280	19	10
114320-77290	19	11
114320-77300	19	12
114339-53100	16	25
114350-02100	1	31
114350-02113	1	39

Parts No.	Fig. No.	Ref. No.
114350-02200	1	35
114350-02210	1	36
114350-11341	4	25
	21	18
114354-45180	15	8
114354-55501	17	1
114354-55600	17	11
114354-59020	17	14
114354-59030	17	18
114354-59040	17	22
114354-59101	17	13
114380-23100	10	27
114395-01331	21	7
114395-01341	1	5
114399-01380	1	6
	21	13
114399-01410	1	27
	21	14
114399-21590	9	3
114399-21600	9	6
114399-21980	21	24
114399-22300	10	9
114399-45320	14	10
114399-45340	14	6
		11
114650-51300	16	12
114699-01760	2	2
114770-61520	12	28
114770-61610	12	30
114771-11461	21	19
114780-61090	18	23
114883-13950	6	5
118200-23200	10	28
119225-52102	20	2
119629-59910	17	26
119803-53400	16	37
119810-55340	17	2
121750-59890	17	32
124064-55510	17	7
124066-59100	17	30
124550-51350	16	17
124722-59050	17	28
124766-59050	17	17
		20
		24
129100-77510	21	26
129470-59540	17	21
160110-02220	1	40
		41
183250-39450	13	1

Parts No. Index

Parts No.	Fig. No.	Ref. No.
183250-66321	18	4
183250-66341	18	6
183250-66361	18	8
183250-66371	18	9
183266-59340	17	25
22117-080000	17	33
22190-160002	2	5
	21	27
22242-000120	4	24
22252-000210	10	10
22312-030160	4	45
	12	9
22312-040080	1	21
22322-030200	12	27
22351-020006	16	11
22351-025005	16	29
22351-030008	16	21
22351-040008	4	31
22451-060000	18	24
22512-040120	9	7
23414-080000	21	28
23875-020000	1	22
24162-152116	1	42
24311-240100	17	5
24341-000150	21	29
24341-000224	12	14
	21	30
26106-060082	14	14
	15	9
26106-060122	12	10
26106-060142	6	6
	18	11
26106-060162	12	15
	18	10
26106-060202	5	16
	14	15
	18	12
26106-060402	4	32
26106-060552	4	48
26106-080122	1	43
26106-080162	17	34
26106-080352	1	34
26106-080652	17	35
26106-100302	19	13
26216-080182	6	8
26226-060182	1	23
26226-060222	1	24
26226-060302	5	17
26226-060552	4	33
26306-080002	6	9

Parts No.	Fig. No.	Ref. No.
26366-060002	1	25
	4	34
	14	16
26716-080002	19	14
26776-100002	18	21
26856-060002	4	19
		23
714210-28510	11	1
714210-61701	12	31
71421C-23010	10	24
714220-22580	10	17
714220-22620	10	11
714220-22720	10	1
71422C-14580	7	1
714239-51310	16	1
714239-53200	16	23
714870-22502	10	3
714870-22542	10	13
714870-22552	10	19

Parts No.	Fig. No.	Ref. No.
-----------	----------	----------

Parts No.	Fig. No.	Ref. No.
-----------	----------	----------