

0CC50-M00400EN

P R E F A C E

This parts catalog is the 1st edition of L100N5EJ2C1HATE for TELEGI.

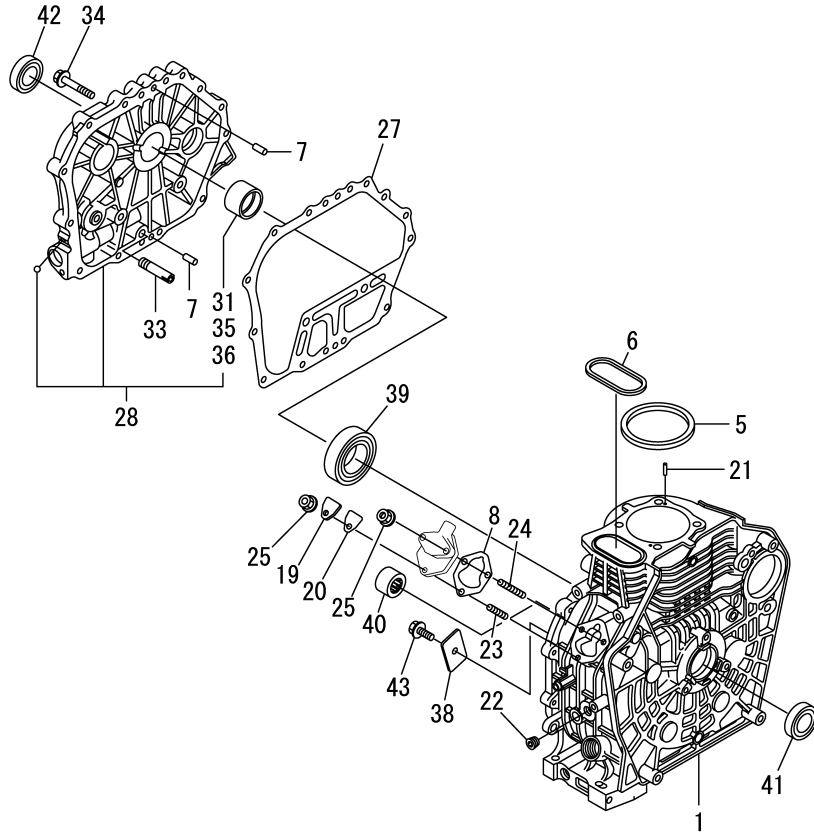
Published : May, 2015

Contents

OCC50-M00400

Fig. No.	Fig. Name	Fig. No.	Fig. Name
ENGINE		25.	ACCESSORY
1.	CYLINDER BLOCK	26.	GASKET SET
2.	DRAIN PLUG		
3.	LABEL		
4.	CYLINDER HEAD & BONNET		
5.	SUCTION MANIFOLD		
6.	AIR CLEANER		
7.	EXHAUST MUFFLER		
8.	CAMSHAFT		
9.	CRANKSHAFT		
10.	FLYWHEEL		
11.	PISTON & CONNECTING ROD		
12.	BALANCER SHAFT		
13.	LUB. OIL PUMP & GOVERNOR		
14.	OIL PRESSURE SWITCH CAP		
15.	COVER		
16.	COOLING FAN CASE		
17.	FUEL INJECTION PUMP & FUEL INJECTION VALVE		
18.	FUEL PIPE		
19.	CONTROL EQUIPMENT		
20.	RECOIL STARTER		
21.	STARTER MOTOR		
22.	ELECTRIC PARTS		
23.	AIR HEATER		
24.	DYNAMO		

Fig.1. CYLINDER BLOCK



(A)=L100N5EJ2C1HATE
(B)=
(C)=

(D)=
(E)=
(F)=

No.	Lev.	Parts No.	Description	Q'ty						I	R
				(A)	(B)	(C)	(D)	(E)	(F)		
1	1	114310-01020	BLOCK ASSY, CYLINDER	1							
5	1	114695-01341	GASKET, HEAD 0.5	1							
6	1	114699-01380	O-RING	1							
7	1	114299-01600	PIN, 8X12	2							
8	1	114299-01800	SHIM SET	1							
19	1	114299-01830	COVER	1							
20	1	114250-01841	GASKET	1							
21	1	22312-040080	PIN, PARALLEL M4X 8	2							
22	1	23875-020000	PLUG, R02	1							
23	1	26226-060182	STUD, M6X 18	1							
24	1	26226-060222	STUD, M6X 22	2							
25	1	26366-060002	NUT, M6	3							
27	1	114699-01410	GASKET, CRANK CASE	1							
28	1	114310-01450	COVER(D, CRANK CASE	1							
31	2	114650-02100	BEARING, MAIN	1							1
33	1	114299-35150	PIPE, OIL INLET	1							
34	1	26106-080352	BOLT, M8X 35 PLATED	16							
35	1	114650-02200	BEARING, 0.25 US	1							2
36	1	114650-02210	BEARING, 0.50 US	1							3
38	1	114299-02030	RETAINER, BEARING	1							
39	1	114650-02150	BEARING, HR6308G3	1							
40	1	24162-152220	BEARING, 152220	1							
41	1	24423-355008	SEAL, OIL TC355008	1							
42	1	24423-355008	SEAL, OIL TC355008	1							
43	1	26106-080122	BOLT, M8X 12 PLATED	1							

Remarks

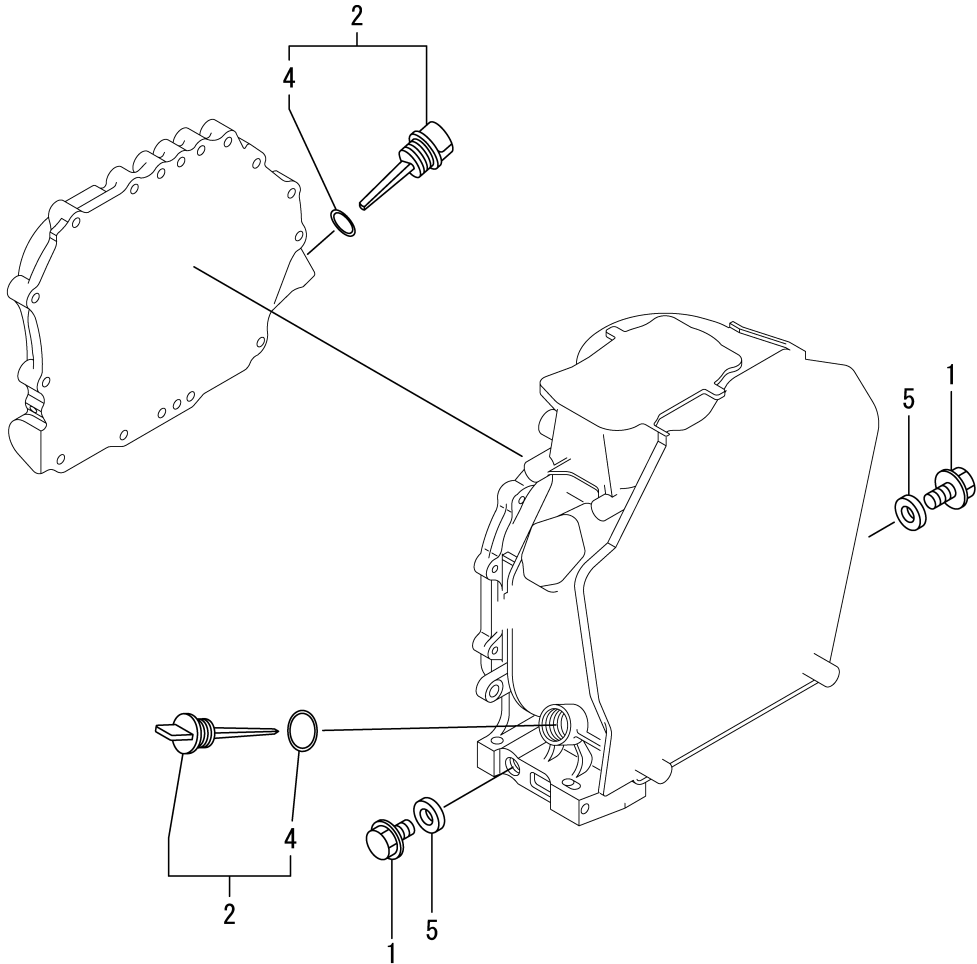
- (1) Spare parts.
- (2) Under-sized(U.S.=0.25) parts.
- (3) Under-sized(U.S.=0.50) parts.

OCC50-M00400 ENGINE
Fig.2. DRAIN PLUG

OCC50-M00400 Fig.2

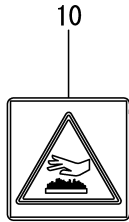
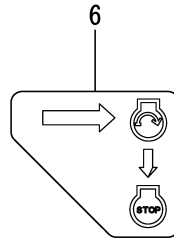
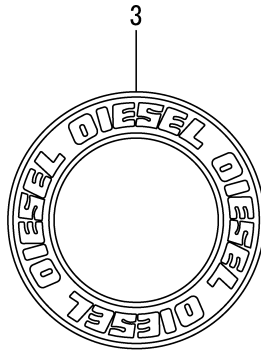
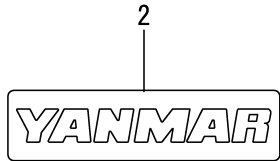
(A)=L100N5EJ2C1HATE
 (B)=
 (C)=

(D)=
 (E)=
 (F)=



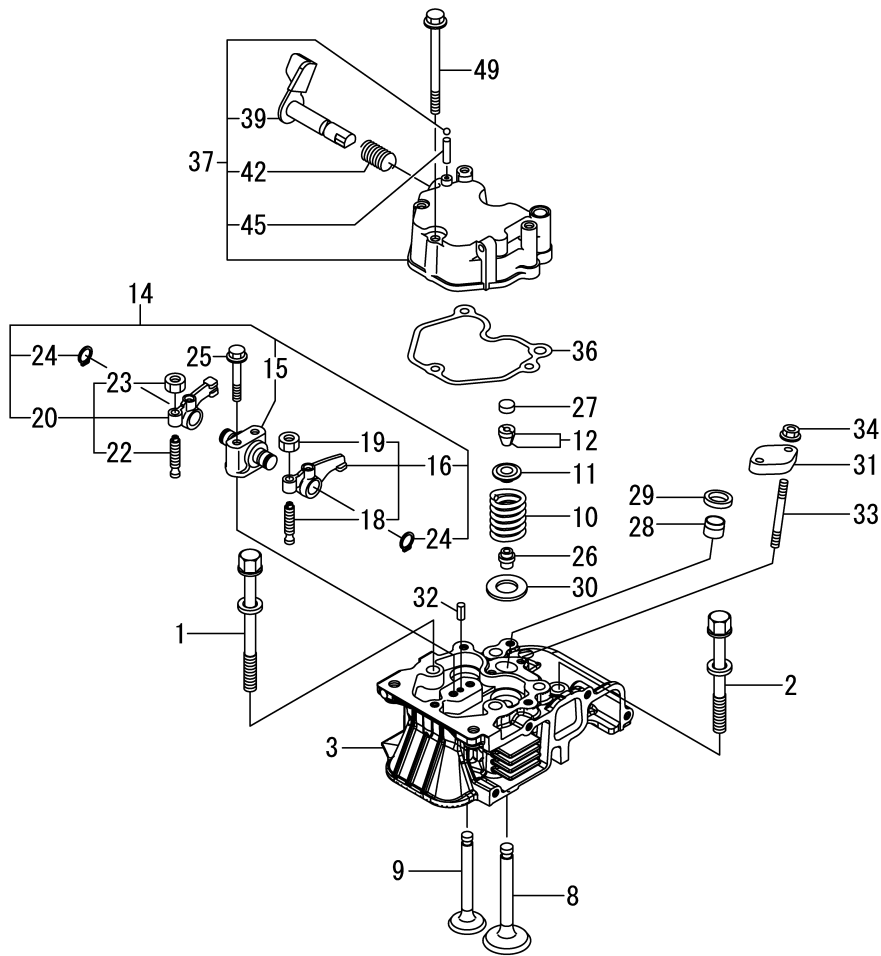
No.	Lev.	Parts No.	Description	Q'ty						I	R
				(A)	(B)	(C)	(D)	(E)	(F)		
1	1	114299-01690	PLUG M16	2							
2	1	114699-01760	CAP ASSY	2							
4	2	114299-01950	O-RING, 18	2							
5	1	22190-160002	WASHER, SEAL 16	2							

Fig.3. LABEL



No.	Lev.	Parts No.	Description	Q'ty						I	R	
				(A)	(B)	(C)	(D)	(E)	(F)			
2	1	114299-07111	LABEL, YANMAR MARK B	1								
3	1	114299-07160	LABEL, DIESEL	1								
6	1	114220-07151	LABEL, CONSTANT SPEE	1								
10	1	114220-07130	LABEL, HOT SURFACE	1								

Fig.4. CYLINDER HEAD & BONNET



(A)=L100N5EJ2C1HATE
(B)=
(C)=

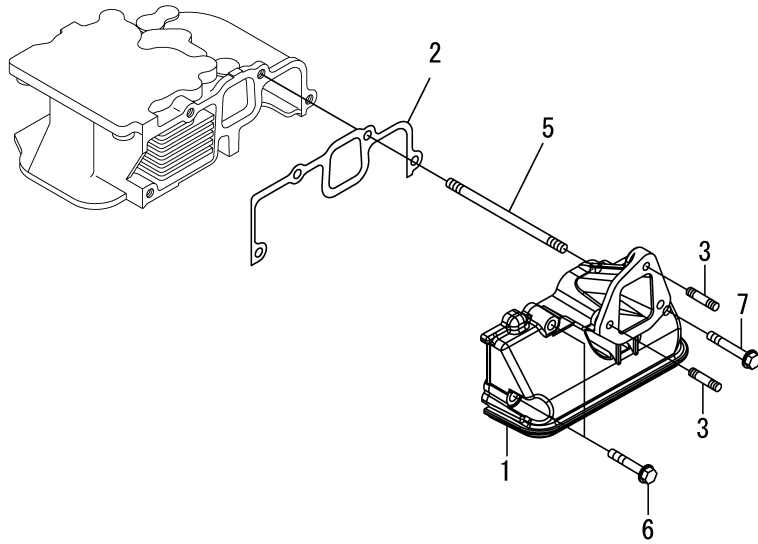
(D)=
(E)=
(F)=

No.	Lev.	Parts No.	Description	Q'ty						I	R
				(A)	(B)	(C)	(D)	(E)	(F)		
1	1	114310-01200	BOLT, CYL.HEAD A	2							
2	1	114310-01210	BOLT, CYL.HEAD B	2							
3	1	11432C-11020	HEAD ASSY, CYLINDER	1							
8	1	11431C-11100	VALVE, INTAKE	1							
9	1	11431C-11110	VALVE, EXHAUST	1							
10	1	114310-11120	SPRING, VALVE	2							
11	1	114310-11180	RETAINER, SPRING	2							
12	1	114310-11930	COTTER ASSY	2							
14	1	11431C-11250	SUPPORT ASSY, ARM	1							
15	2	11431C-11260	SUPPORT, ROCKER ARM	1							
16	2	11431C-11650	ARM, ROCKER	1							
18	3	114250-11240	SCREW, VALVE ADJUST	1							
19	3	26856-060002	NUT, M6	1							
20	2	11431C-11660	ARM, ROCKER	1							
22	3	114250-11240	SCREW, VALVE ADJUST	1							
23	3	26856-060002	NUT, M6	1							
24	2	22242-000150	RING, 15	2							
25	1	114310-11290	BOLT, SUPPORT	2							
26	1	114650-11341	SEAL, VALVE STEM	2							
27	1	104211-11370	CAP, VALVE	2							
28	1	114240-11450	PROTECTOR, NOZZLE	1							
29	1	114240-11550	SEAT, NOZZLE	1							
30	1	114699-11600	WASHER	2							
31	1	114210-11901	RETAINER, NOZZLE	1							
32	1	22351-040008	PIN, SPRING 4.0X 8	1							
33	1	26226-060552	STUD, M6X 55	2							
34	1	26366-060002	NUT, M6	2							
36	1	114310-11310	GASKET, BONNET	1							
37	1	114310-11950	BONNET ASSY, HEAD	1							
39	2	114210-03590	DECOMPRESSION ASSY	1							
42	2	114299-03640	SPRING, DECOMPRESSION	1							
45	2	22312-030160	PIN, PARALLEL M3X16	1							
49	1	26106-060652	BOLT, M6X 65 PLATED	3							

Fig.5. SUCTION MANIFOLD

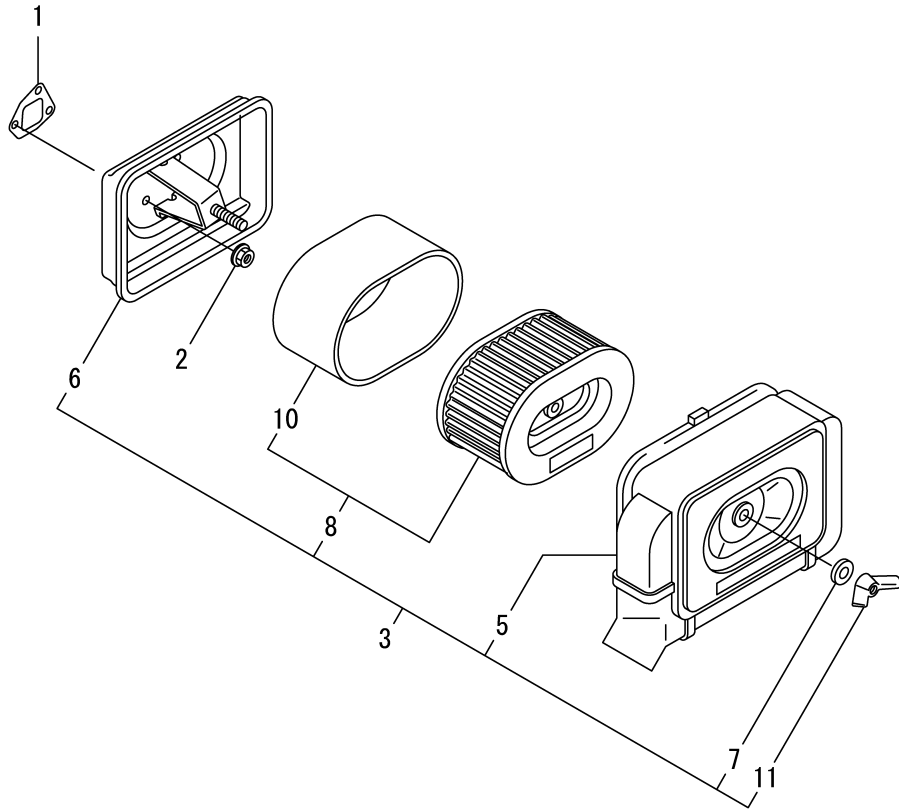
(A)=L100N5EJ2C1HATE
(B)=
(C)=

(D)=
(E)=
(F)=



No.	Lev.	Parts No.	Description	Q'ty						I	R
				(A)	(B)	(C)	(D)	(E)	(F)		
1	1	114310-12050	MANIFOLD, INTAKE	1							
2	1	114310-12210	GASKET, AIR CLEANER	1							
3	1	26226-060162	STUD, M6X 16	2							
5	1	114310-45360	STUD BOLT, TOP COVER	1							
6	1	26106-060352	BOLT, M6X 35 PLATED	2							
7	1	26106-060402	BOLT, M6X 40 PLATED	1							

Fig.6. AIR CLEANER



(A)=L100N5EJ2C1HATE
(B)=
(C)=

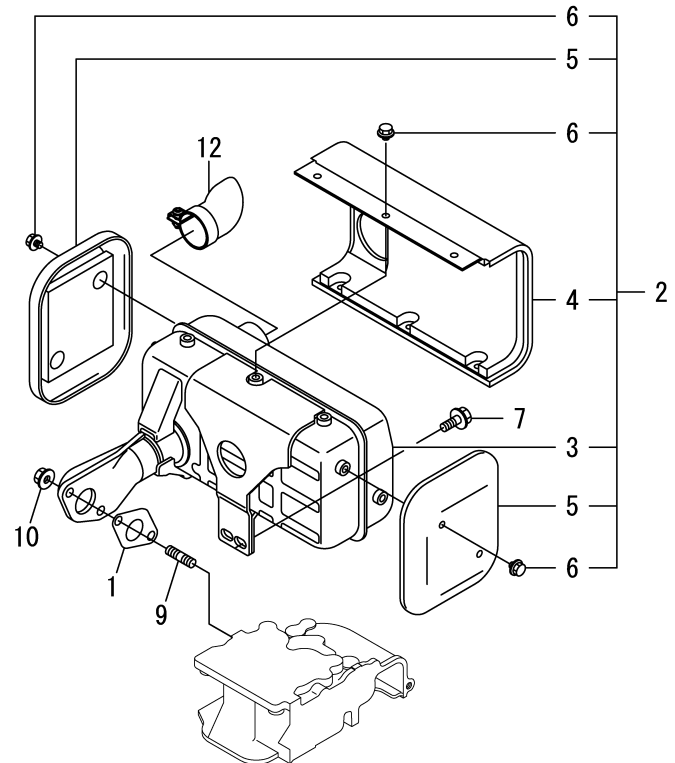
(D)=
(E)=
(F)=

No.	Lev.	Parts No.	Description	Q'ty						I	R
				(A)	(B)	(C)	(D)	(E)	(F)		
1	1	114699-12210	GASKET, AIR CLEANER	1							
2	1	114299-12300	NUT	3							
3	1	783671-12560	CLEANER ASSY, AIR	1							
5	2	183671-12520	COVER ASSY, CLEANER	1							
6	2	114980-12530	CASE ASSY, CLEANER	1							
7	2	114252-12560	WASHER, SEAL M8	1							
8	2	114650-12590	ELEMENT ASSY	1							
10	3	114650-12550	FILTER, PRE	1							
11	2	114252-12550	NUT, WING M8	1							

Fig.7. EXHAUST MUFFLER

(A)=L100N5EJ2C1HATE
(B)=
(C)=

(D)=
(E)=
(F)=



No.	Lev.	Parts No.	Description	Q'ty						I	R
				(A)	(B)	(C)	(D)	(E)	(F)		
1	1	114310-13200	GASKET, MUFFLER	1							
2	1	11431C-13550	MUFFLER ASSY	1							
3	2	11431C-13560	MUFFLER	1							
4	2	11431C-13700	COVER	1							
5	2	11431C-13710	COVER	2							
6	2	11431C-13720	BOLT, M6	10							
7	1	26106-080202	BOLT, M8X 20 PLATED	2							
9	1	26216-080182	STUD, M8X 18	2							
10	1	26306-080002	NUT, M8	2							
12	1	114320-13800	DEFLECTOR ASSY, EXH	1							

Fig.8. CAMSHAFT

(A)=L100N5EJ2C1HATE
 (B)=
 (C)=

(D)=
 (E)=
 (F)=

No.	Lev.	Parts No.	Description	Q'ty						I	R
				(A)	(B)	(C)	(D)	(E)	(F)		
1	1	71432C-14010	CAMSHAFT ASSY	1							
6	1	114310-14200	TAPPET	2							
7	1	114210-14300	TAPPET ASSY, ROLLER	1							
12	1	114310-14400	ROD ASSY, PUSH	2							

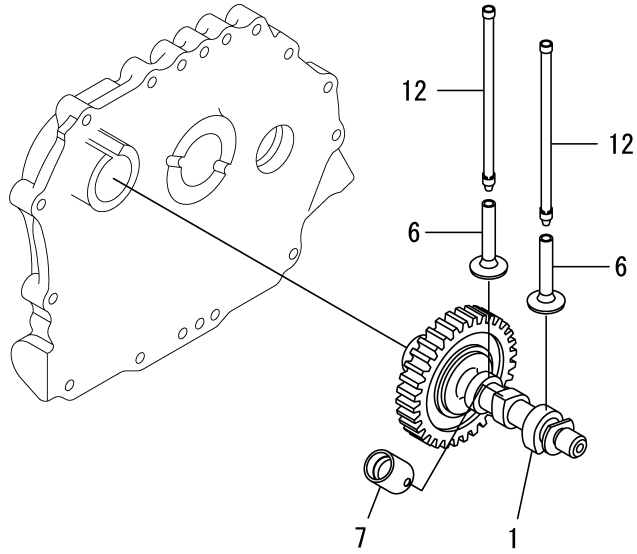
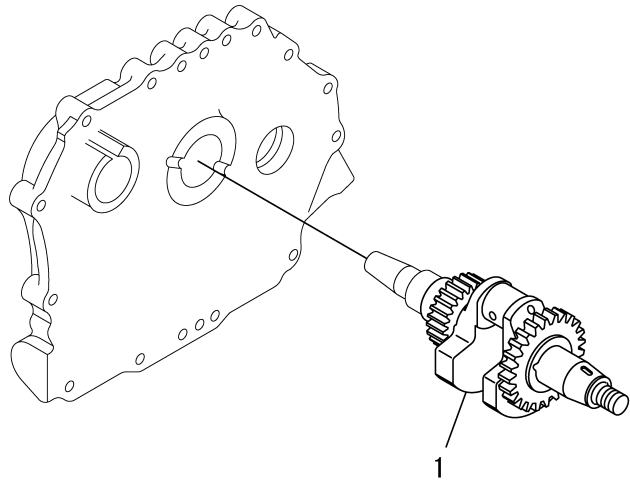


Fig.9. CRANKSHAFT

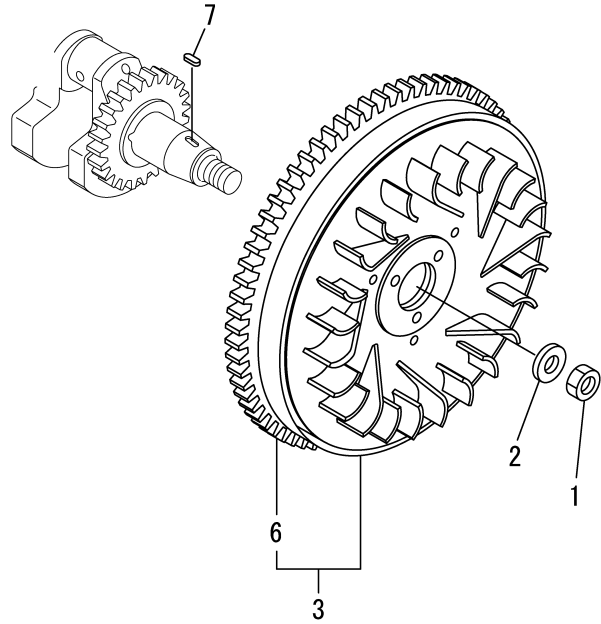
(A)=L100N5EJ2C1HATE
 (B)=
 (C)=

(D)=
 (E)=
 (F)=



No.	Lev.	Parts No.	Description	Q'ty						I	R
				(A)	(B)	(C)	(D)	(E)	(F)		
1	1	11431C-21840	CRANKSHAFT ASSY,E-DG	1							

Fig.10. FLYWHEEL



(A)=L100N5EJ2C1HATE
(B)=
(C)=

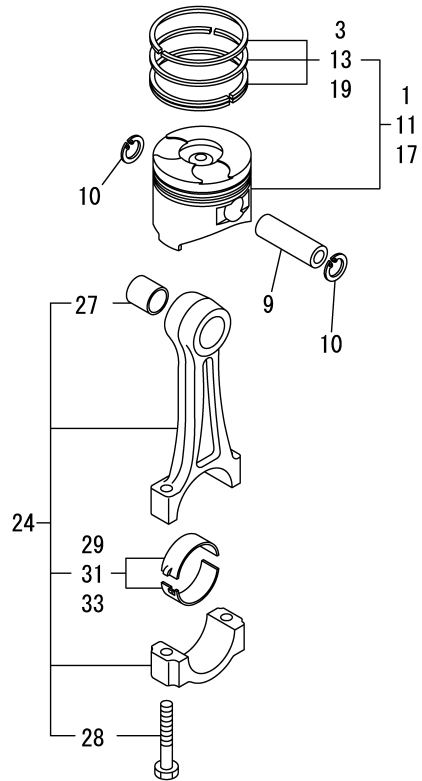
(D)=
(E)=
(F)=

No.	Lev.	Parts No.	Description	Q'ty						I	R
				(A)	(B)	(C)	(D)	(E)	(F)		
1	1	114699-21220	NUT	1							
2	1	114699-21550	WASHER	1							
3	1	114699-21600	FLYWHEEL ASSY, DE	1							
6	2	114699-21630	RING, GEAR	1							
7	1	22512-050140	KEY, 5X 14	1							

Fig.11. PISTON & CONNECTING ROD

(A)=L100N5EJ2C1HATE
(B)=
(C)=

(D)=
(E)=
(F)=



No.	Lev.	Parts No.	Description	Q'ty						I	R
				(A)	(B)	(C)	(D)	(E)	(F)		
1	1	714320-22720	PISTON W/RINGS (D)	1							
3	2	714310-22500	RING SET, PISTON	1							
9	1	114699-22300	PIN, PISTON D=23	1							
10	1	114310-22500	SEEGER RING, J23	2							
11	1	714320-22620	PISTON W/RING .25OS	1							1
13	2	714310-22540	RING SET O.S.=0.25	1							1
17	1	714320-22580	PISTON W/RING .50OS	1							2
19	2	714310-22550	RING SET O.S.=0.50	1							2
24	1	71431C-23010	ROD ASSY, CONNECTING	1							
27	3	124060-23100	BEARING, PISTON PIN	1							
28	3	114310-23200	BOLT, CONNECTING ROD	2							
29	2	714650-23600	BEARING, CRANK PIN	1							
31	1	714650-23610	BEARING ASSY, 0.25	1							3
33	1	714650-23620	BEARING, 0.50 US	1							4

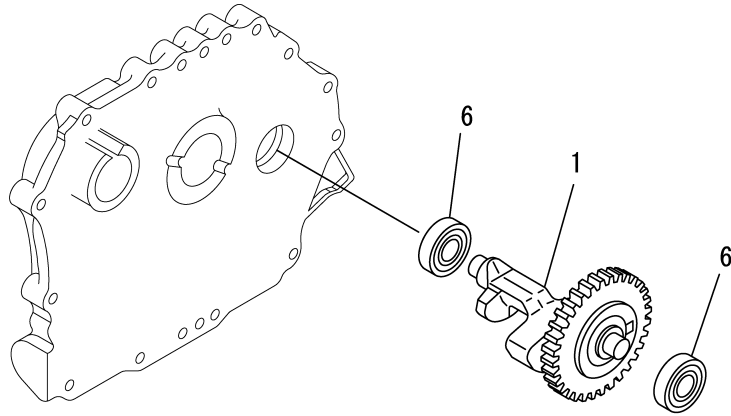
Remarks

- (1)Over-sized(O.S.=0.25) parts.
- (2)Over-sized(O.S.=0.50) parts.
- (3)Under-sized(U.S.=0.25) parts.
- (4)Under-sized(U.S.=0.50) parts.

Fig.12. BALANCER SHAFT

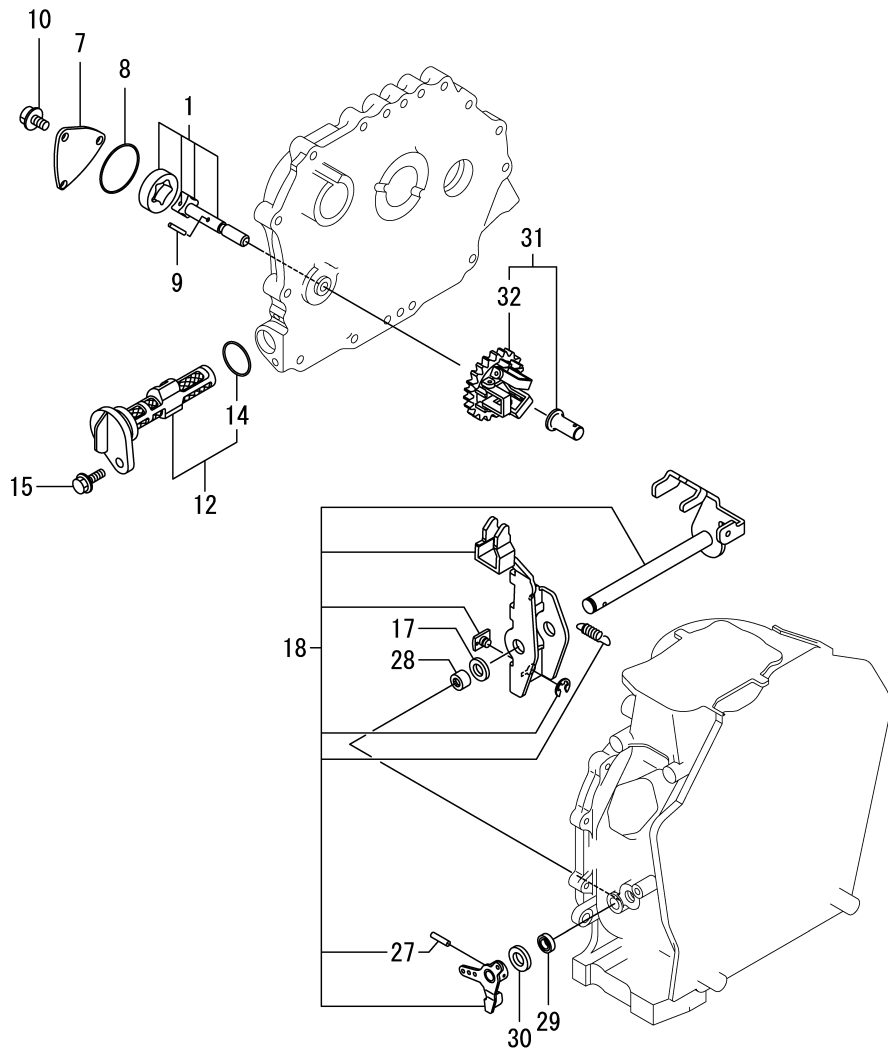
(A)=L100N5EJ2C1HATE
(B)=
(C)=

(D)=
(E)=
(F)=



No.	Lev.	Parts No.	Description	Q'ty						I	R
				(A)	(B)	(C)	(D)	(E)	(F)		
1	1	714310-28510	SHAFT ASSY, BALANCER	1							
6	1	24101-063040	BEARING, BALL 6304C3	2							

Fig.13. LUB. OIL PUMP & GOVERNOR



(A)=L100N5EJ2C1HATE
(B)=
(C)=

(D)=
(E)=
(F)=

No.	Lev.	Parts No.	Description	Q'ty						I	R
				(A)	(B)	(C)	(D)	(E)	(F)		
1	1	114650-32010	PUMP ASSY, OIL	1							
7	1	114299-32070	COVER	1							
8	1	114299-32570	O-RING	1							
9	1	22312-030160	PIN, PARALLEL M3X16	1							
10	1	26106-060122	BOLT, M6X 12 PLATED	3							
12	1	114299-35110	FILTER ASSY, OIL	1							
14	2	24341-000224	O-RING, 1AS22.4	1							
15	1	26106-060162	BOLT, M6X 16 PLATED	1							
17	1	114299-61190	WASHER	1							
18	1	114311-61500	LEVER ASSY, GOVERNOR	1							1
27	2	22322-030200	PIN, TAPER 3X20	1							
28	1	114770-61520	BEARING, NEEDLE	2							
29	1	114299-61600	SEAL, OIL	1							
30	1	114770-61610	WASHER, THRUST	1							
31	1	714210-61701	GOVERNOR ASSY	1							
32	2	114210-61290	WEIGHT ASSY,GOVERNOR	1							

Remarks

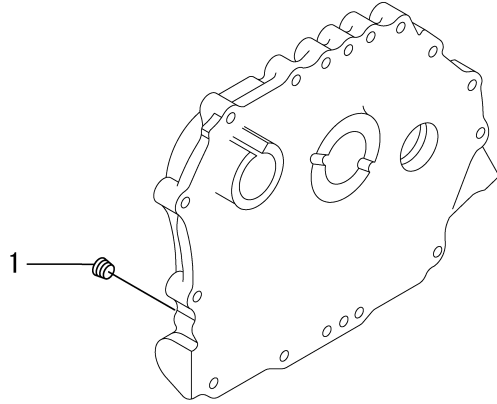
(1)On a guarantee of quality component parts shall not be sold.

N:Old $\xrightarrow{\text{Yes}}$ New, Q:Old $\xrightarrow{\text{No}}$ New, R:Old $\xrightarrow{\text{Yes}}$ New, S:Old $\xrightarrow{\text{No}}$ New, W:Add, Z:Discontinued, F:Interchangeable by set, K:Q'ty Change

Fig.14. OIL PRESSURE SWITCH CAP

(A)=L100N5EJ2C1HATE
(B)=
(C)=

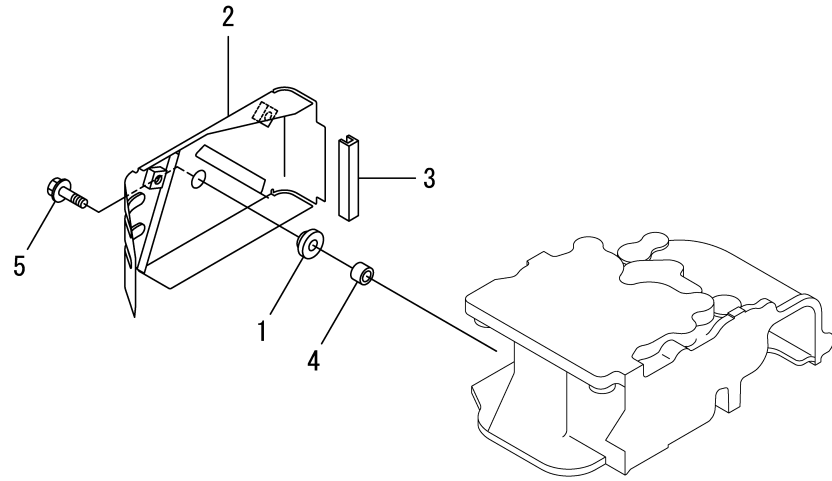
(D)=
(E)=
(F)=



No.	Lev.	Parts No.	Description	Q'ty						I	R
				(A)	(B)	(C)	(D)	(E)	(F)		
1	1	23876-010000	PLUG, R01	1							

N:Old $\begin{matrix} \leftarrow \text{Yes} \\ \text{No} \rightarrow \end{matrix}$ New, Q:Old $\begin{matrix} \text{No} \\ \leftarrow \\ \text{Yes} \rightarrow \end{matrix}$ New, R:Old $\begin{matrix} \text{Yes} \\ \leftarrow \\ \text{Yes} \rightarrow \end{matrix}$ New, S:Old $\begin{matrix} \text{No} \\ \leftarrow \\ \text{No} \rightarrow \end{matrix}$ New, W:Add, Z:Discontinued, F:Interchangeable by set, K:Q'ty Change
Copyright (C) 2015 YANMAR CO., LTD. All Rights Reserved.

Fig.15. COVER



(A)=L100N5EJ2C1HATE
(B)=
(C)=

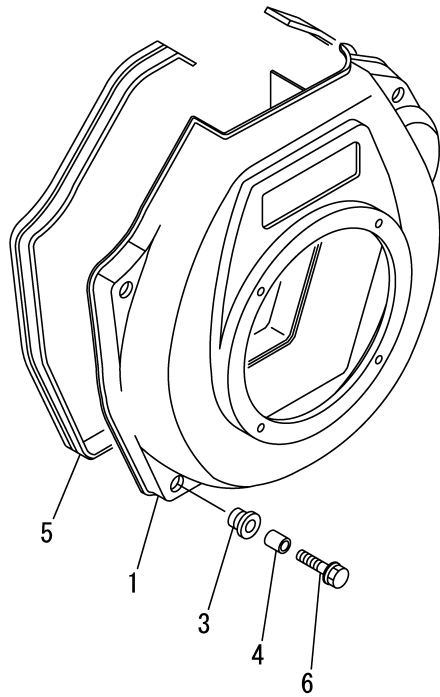
(D)=
(E)=
(F)=

No.	Lev.	Parts No.	Description	Q'ty						I	R
				(A)	(B)	(C)	(D)	(E)	(F)		
1	1	114299-45220	GROMMET	1							
2	1	114310-45260	COVER B, SIDE	1							
3	1	114399-45320	RUBBER, SEAL	1							
4	1	114399-45340	COLLAR	1							
5	1	26106-060202	BOLT, M6X 20 PLATED	1							

Fig.16. COOLING FAN CASE

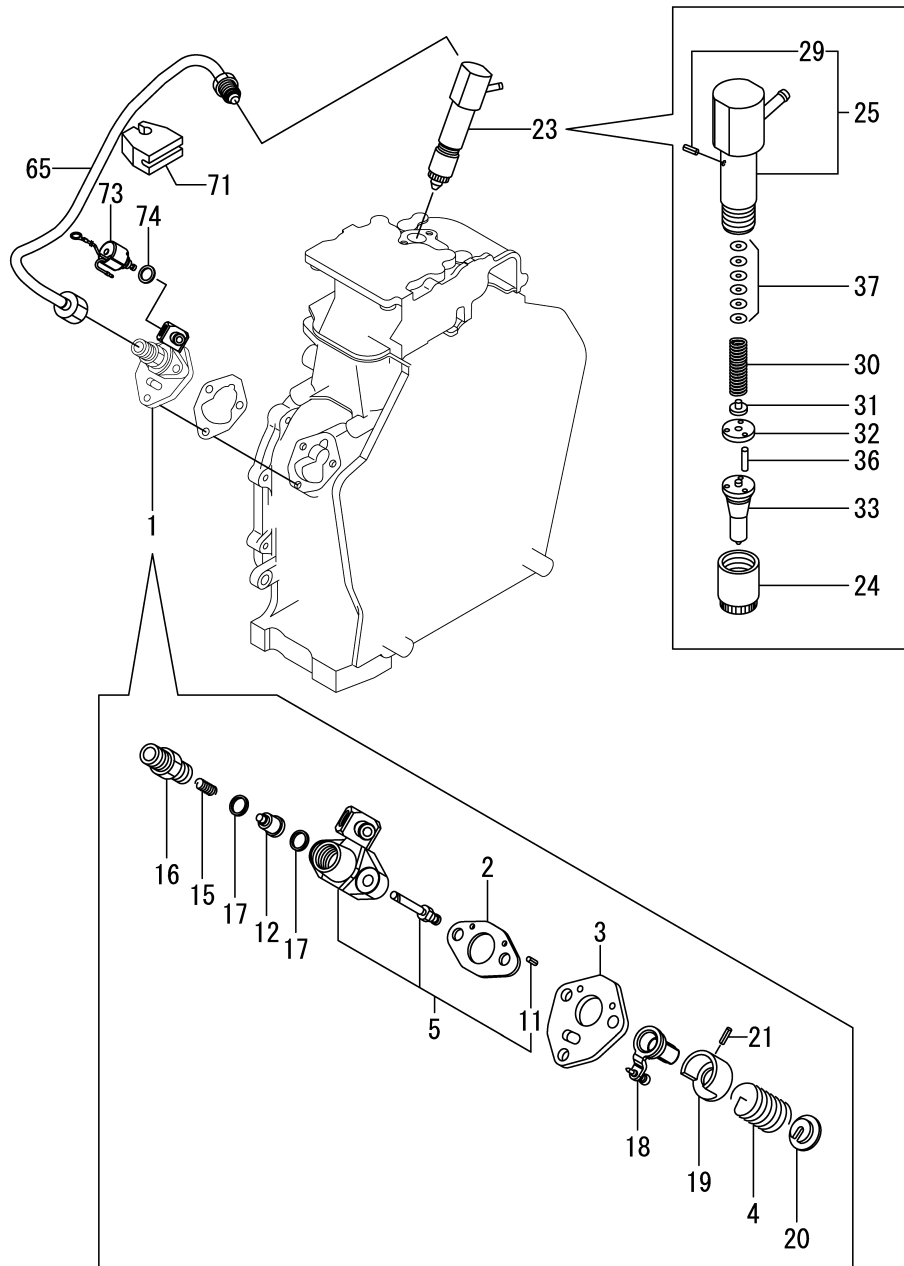
(A)=L100N5EJ2C1HATE
(B)=
(C)=

(D)=
(E)=
(F)=



No.	Lev.	Parts No.	Description	Q'ty						I	R
				(A)	(B)	(C)	(D)	(E)	(F)		
1	1	114310-45150	CASE, COOLING FAN	1							
3	1	114299-45301	RUBBER, CUSHION	4							
4	1	114299-45310	COLLAR	4							
5	1	114699-45331	SEAL, FAN CASE	1							
6	1	114299-45350	BOLT, FAN CASE	4							

Fig.17. FUEL INJECTION PUMP & FUEL INJECTION VALVE

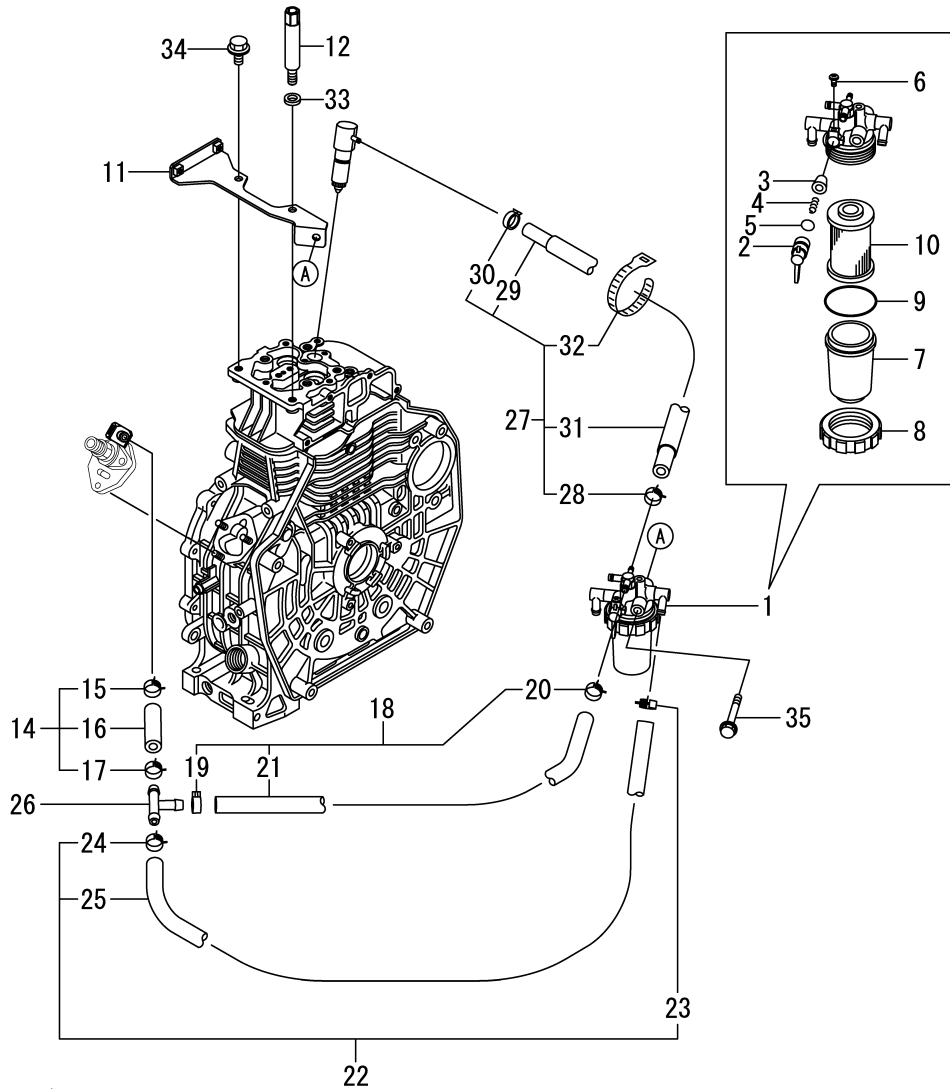


(A)=L100N5EJ2C1HATE
(B)=
(C)=

(D)=
(E)=
(F)=

No.	Lev.	Parts No.	Description	Q'ty						I	R
				(A)	(B)	(C)	(D)	(E)	(F)		
1	1	714339-51310	PUMP ASSY, INJECTION	1							
2	2	105546-51020	GASKET	1							
3	2	114250-51080	PLATE	1							
4	2	114250-51160	SPRING, PLUNGER	1							
5	2	114339-51200	BODY ASSY, PUMP	1							
11	4	22351-020006	PIN, SPRING 2.0X 6	2							
12	2	114650-51300	VALVE ASSY, DELIVERY	1							
15	2	105546-51330	SPRING, DELIVERY	1							
16	2	114250-51340	HOLDER, DELIVERY	1							
17	2	124550-51350	GASKET, DELIVERY	2							
18	2	114250-51500	LEVER, CONTROL	1							
19	2	114250-51640	SEAT, SPRING A	1							
20	2	114250-51650	SEAT, SPRING B	1							
21	2	22351-030008	PIN, SPRING 3.0X 8	1							
23	1	714339-53200	VALVE ASSY, INJECTION	1							
24	2	114250-53080	NUT, NOZZLE D16.95	1							
25	2	114339-53100	HOLDER ASSY, NOZZLE	1							
29	3	22351-025005	PIN, SPRING 2.5X 6	1							
30	2	114250-53120	SPRING, NOZZLE	1							
31	2	114250-53130	SEAT, SPRING	1							
32	2	114250-53140	PLATE	1							
33	2	114339-53200	VALVE ASSY, INJECTION	1							
36	2	114250-53210	PIN	2							
37	2	119803-53400	SHIM SET	1							
65	1	114310-59800	PIPE ASSY, INJECTION	1							
71	1	114699-59850	SUPPORT, PIPE	1							
73	1	114110-76910	VALVE ASSY, F/O CUT	1							
74	1	114299-83020	GASKET, 10X1.2	1							

Fig.18. FUEL PIPE



(A)=L100N5EJ2C1HATE
(B)=
(C)=

(D)=
(E)=
(F)=

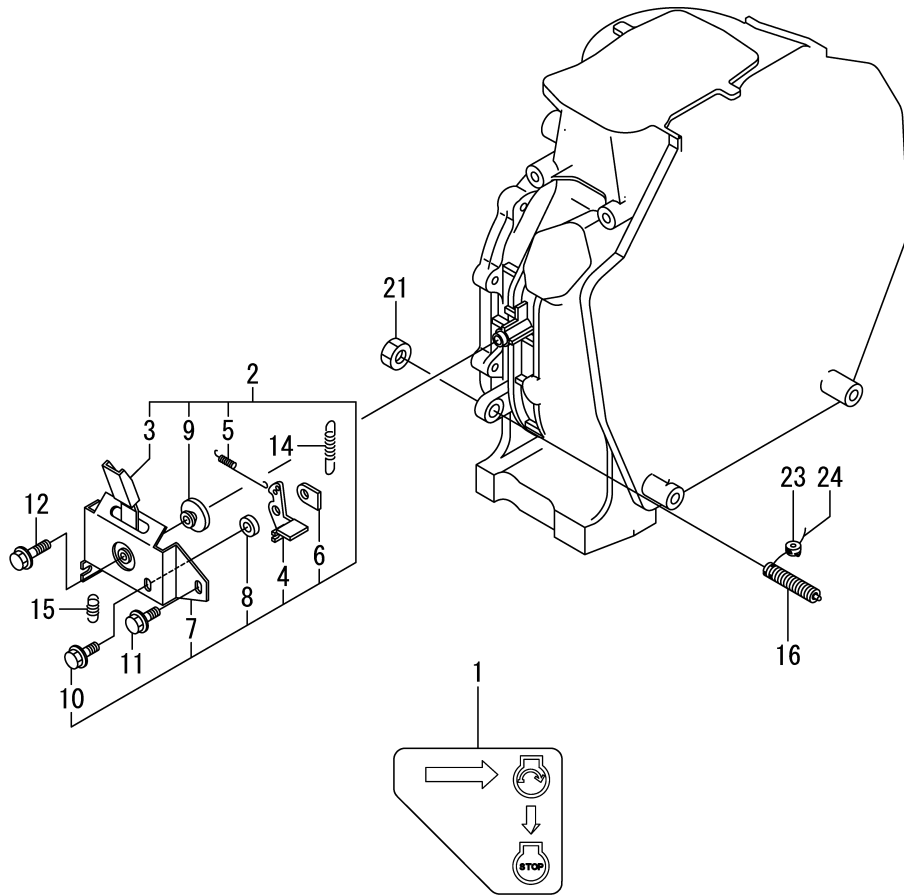
No.	Lev.	Parts No.	Description	Q'ty						I	R
				(A)	(B)	(C)	(D)	(E)	(F)		
1	1	114354-55501	FILTER ASSY, FUEL	1							
2	2	119810-55340	LEVER	1							
3	2	104200-55321	VALVE, TAPER	1							
4	2	104200-55330	SPRING, VALVE	1							
5	2	24311-240100	O-RING, 1AP10A	1							
6	2	104200-55750	SCREW, M4	1							
7	2	124064-55510	COVER	1							
8	2	110250-55610	RING, RETAINING	1							
9	2	102103-55520	O-RING	1							
10	2	114250-55510	ELEMENT	1							
11	1	114310-55600	BRACKET, FO FILTER	1							
12	1	114220-55810	BOLT, LIFTING	1							
13	1	114310-59100	PIPE ASSY, FUEL OIL	1							
14	2	114354-59020	PIPE ASSY, FUEL A	1							
15	3	114270-59010	CLIP, HOSE 12	1							
16	3	114250-59051	PIPE, FUEL L=46	1							
17	3	124766-59050	CLIP, HOSE 11.5	1							
18	2	114354-59030	PIPE ASSY, FUEL C	1							
19	3	106990-44660	CLIP, HOSE 12.5	1							
20	3	124766-59050	CLIP, HOSE 11.5	1							
21	3	129470-59540	PIPE, FUEL	1							
22	2	114973-59040	PIPE ASSY, FUEL B	1							
23	3	106990-44660	CLIP, HOSE 12.5	1							
24	3	124766-59050	CLIP, HOSE 11.5	1							
25	3	114973-59340	PIPE, FUEL	1							
26	2	119629-59910	JOINT, 3-WAY	1							
27	1	114339-59300	PIPE ASSY, RETURN	1							
28	2	124722-59050	CLIP, HOSE 9	1							
29	2	114310-59060	PIPE, FUEL RETURN	1							
30	2	124066-59100	CLIP, HOSE 8	1							
31	2	114310-59310	HOSE, PROTECT	1							
32	2	121750-59890	BAND, 140	1							
33	1	22117-080000	WASHER, 8	1							
34	1	26106-080162	BOLT, M8X 16 PLATED	1							
35	1	26106-080652	BOLT, M8X 65 PLATED	1							

13 inc. 14~26

Fig.19. CONTROL EQUIPMENT

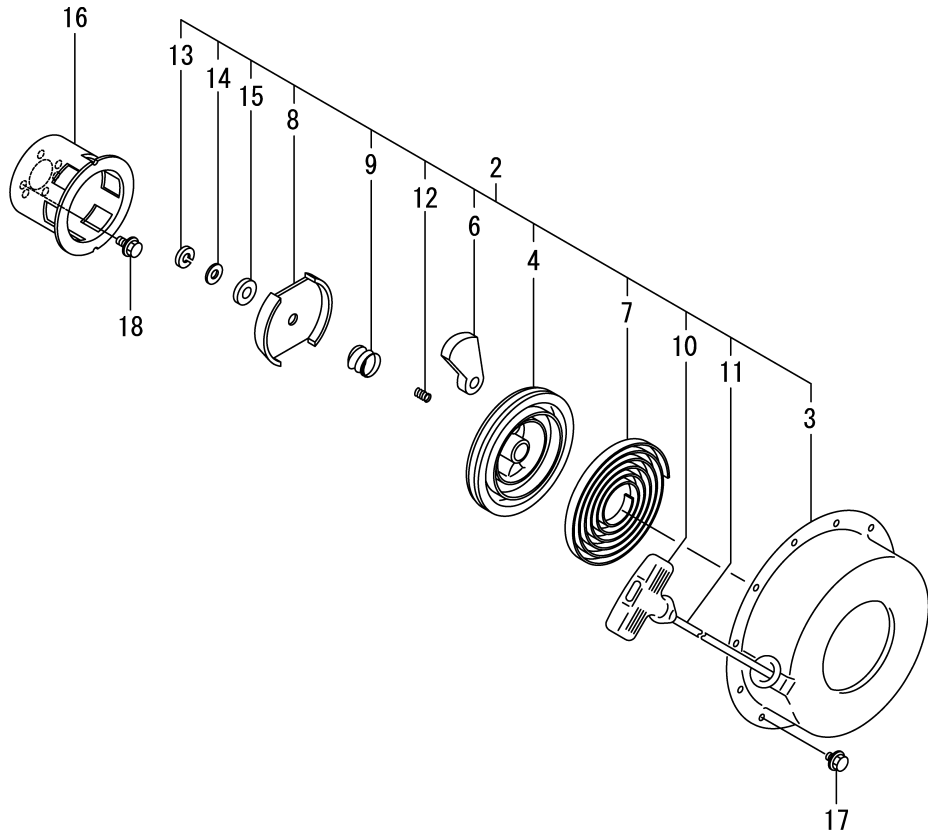
(A)=L100N5EJ2C1HATE
(B)=
(C)=

(D)=
(E)=
(F)=



No.	Lev.	Parts No.	Description	Q'ty						I	R
				(A)	(B)	(C)	(D)	(E)	(F)		
1	1	114220-07151	LABEL, CONSTANT SPEE	1							
2	1	114210-66511	BRACKET ASSY, HANDLE	1							
3	2	114210-66300	HANDLE	1							
4	2	183250-66321	LEVER, LOCK	1							
5	2	114210-66330	SPRING, LOCK LEVER	1							
6	2	183250-66341	NUT, LOCK	1							
7	2	114210-66350	BRACKET	1							
8	2	183250-66361	COLLAR	1							
9	2	183250-66371	COLLAR	1							
10	2	26106-060162	BOLT, M6X 16 PLATED	1							
11	1	26106-060142	BOLT, M6X 14 PLATED	1							
12	1	26106-060202	BOLT, M6X 20 PLATED	1							
14	1	114320-66020	SPRING, REGULATOR	1							
15	1	114299-66201	SPRING, RETURN	1							
16	1	114211-66600	LIMITER ASSY, FUEL	1							
21	1	26776-100002	NUT, LOCK M10	1							
23	1	114780-61090	TIN	1							
24	1	22451-060000	WIRE, 0.6	1							

Fig.20. RECOIL STARTER



(A)=L100N5EJ2C1HATE
(B)=
(C)=

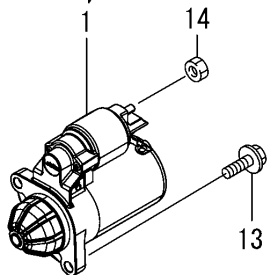
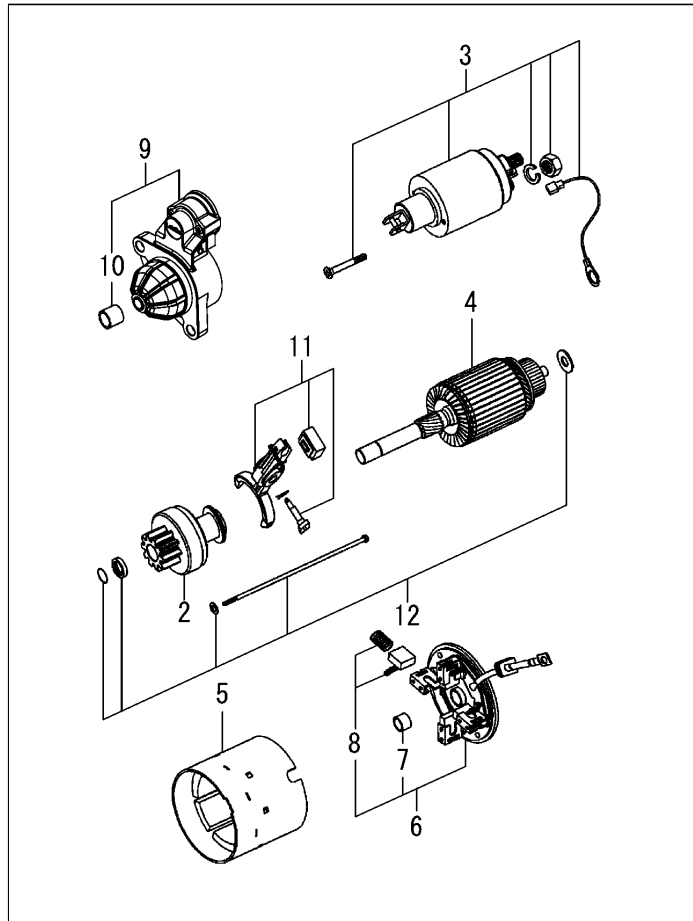
(D)=
(E)=
(F)=

No.	Lev.	Parts No.	Description	Q'ty						I	R
				(A)	(B)	(C)	(D)	(E)	(F)		
2	2	114699-76251	RECOIL ASSY	1							
3	3	114699-76510	CASE, STARTER	1							
4	3	114699-76521	REEL, RECOIL	1							
6	3	114699-76531	RATCHET	2							
7	3	114399-76540	SPRING, SPIRAL	1							
8	3	114699-76551	GUIDE, RATCHET	1							
9	3	114699-76560	SPRING, FRICTION	1							
10	3	114399-76620	KNOB, STARTER	1							
11	3	114699-76630	ROPE, STARTER	1							
12	3	114699-76650	SPRING, RETURN	1							
13	3	114699-76660	CIRCLIP	1							
14	3	114699-76670	WASHER	1							
15	3	114699-76680	WASHER	1							
16	2	114699-76592	PULLEY, STARTER	1							
17	1	26106-060082	BOLT, M6X 8 PLATED	4							
18	1	26106-060122	BOLT, M6X 12 PLATED	3							

Fig.21. STARTER MOTOR

(A)=L100N5EJ2C1HATE
(B)=
(C)=

(D)=
(E)=
(F)=

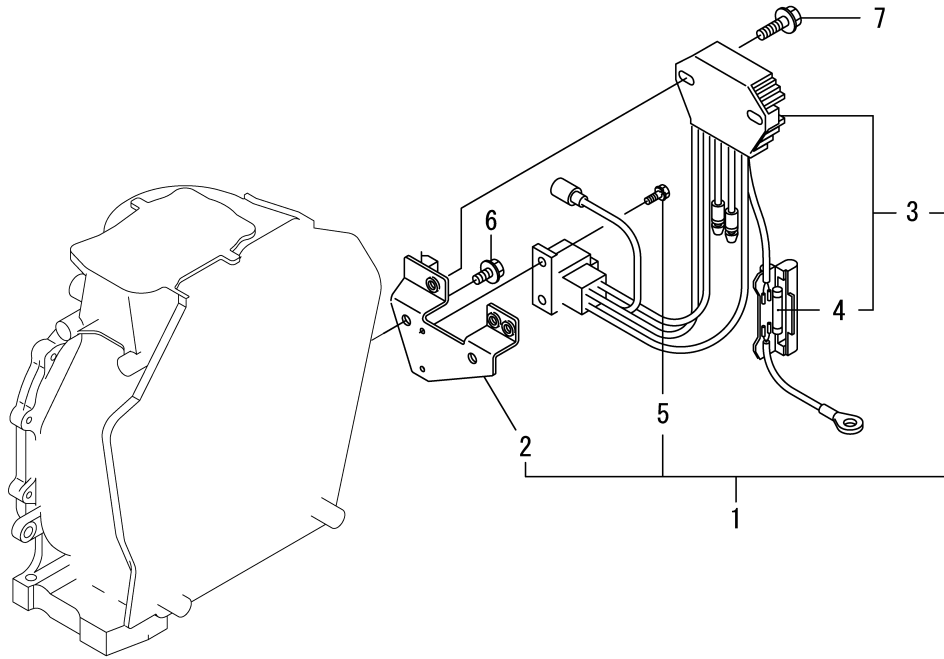


No.	Lev.	Parts No.	Description	Q'ty						I	R
				(A)	(B)	(C)	(D)	(E)	(F)		
1	1	114320-77010	MOTOR ASSY, STARTER	1							
2	2	114399-77040	PINION CLUTCH ASSY	1							
3	2	114399-77060	MAGNETIC SWITCH ASSY	1							
4	2	114320-77110	ARMATURE ASSY	1							
5	2	114320-77130	YOKE ASSY	1							
6	2	114399-77140	REAR COVER ASSY	1							
7	3	114399-77050	BUSH	1							
8	3	114399-77160	BRUSH HOLDER ASSY	4							
9	2	114399-77150	GEAR CASE ASSY	1							
10	3	114399-77030	BUSH	1							
11	2	114399-77180	SHIFT LEVER KIT	1							
12	2	114320-77770	BOLT ASSY, THROUGH	2							
13	1	26106-100302	BOLT, M10X 30 PLATED	2							
14	1	26716-080002	NUT, M8	1							

Fig.22. ELECTRIC PARTS

(A)=L100N5EJ2C1HATE
(B)=
(C)=

(D)=
(E)=
(F)=

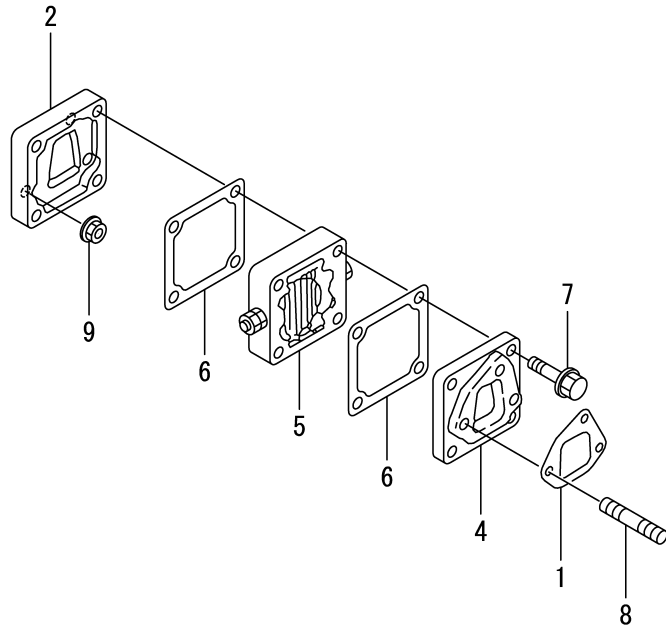


No.	Lev.	Parts No.	Description	Q'ty						I	R
				(A)	(B)	(C)	(D)	(E)	(F)		
1	1	114399-77560	REG. & HARNESS ASSY	1							
2	2	114399-77410	BRACKET, HARNESS	1							
3	2	114399-77720	REGULATOR	1							
4	3	114399-78000	FUSE(20A)	1							
5	2	26023-040102	SCREW, M4X10	2							
6	1	26106-060122	BOLT, M6X 12 PLATED	2							
7	1	26106-060202	BOLT, M6X 20 PLATED	2							

Fig.23. AIR HEATER

(A)=L100N5EJ2C1HATE
(B)=
(C)=

(D)=
(E)=
(F)=

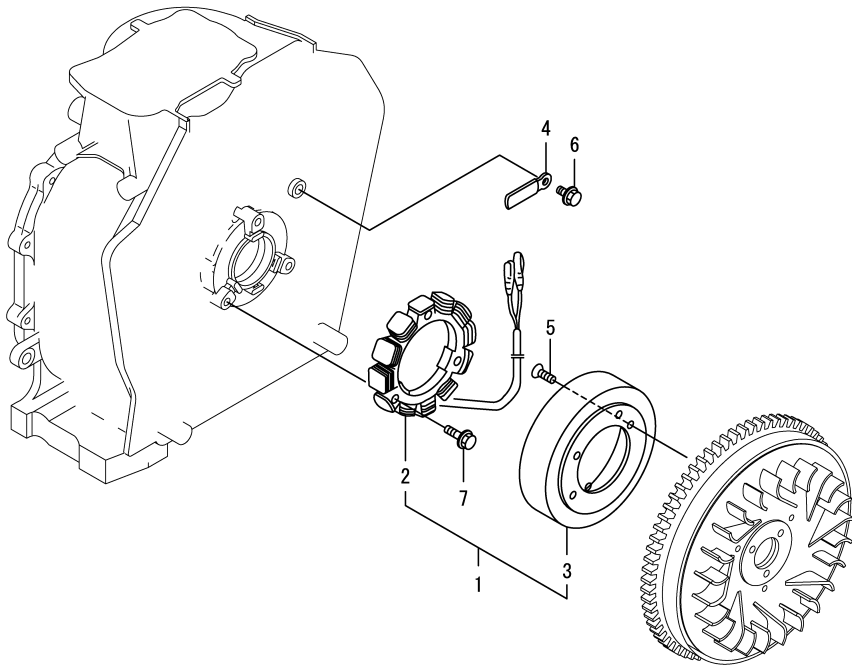


No.	Lev.	Parts No.	Description	Q'ty						I	R
				(A)	(B)	(C)	(D)	(E)	(F)		
1	1	114699-12210	GASKET, AIR CLEANER	1							
2	1	114310-12220	SPACER, AIR HEATER	1							
4	1	114652-12230	SPACER	1							
5	1	129100-77501	HEATER	1							
6	1	129100-77510	GASKET	2							
7	1	26106-080402	BOLT, M8X 40 PLATED	4							
8	1	26226-060142	STUD, M6X 14	3							
9	1	26366-060002	NUT, M6	3							

Fig.24. DYNAMO

(A)=L100N5EJ2C1HATE
(B)=
(C)=

(D)=
(E)=
(F)=

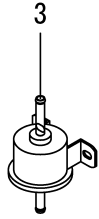
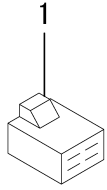


No.	Lev.	Parts No.	Description	Q'ty						I	R
				(A)	(B)	(C)	(D)	(E)	(F)		
1	1	114399-78280	DINAMO ASSY, 15A	1							
2	2	114399-78770	STATOR ASSY	1							
3	2	114399-78780	WHEEL, DYNAMO	1							
4	1	160710-78710	CLAMP, CORD	1							
5	1	114210-78800	SCREW,COUNTERSUNK M6	3							
6	1	26106-060122	BOLT, M6X 12 PLATED	1							
7	1	26106-060202	BOLT, M6X 20 PLATED	3							

Fig.25. ACCESSORY

(A)=L100N5EJ2C1HATE
(B)=
(C)=

(D)=
(E)=
(F)=

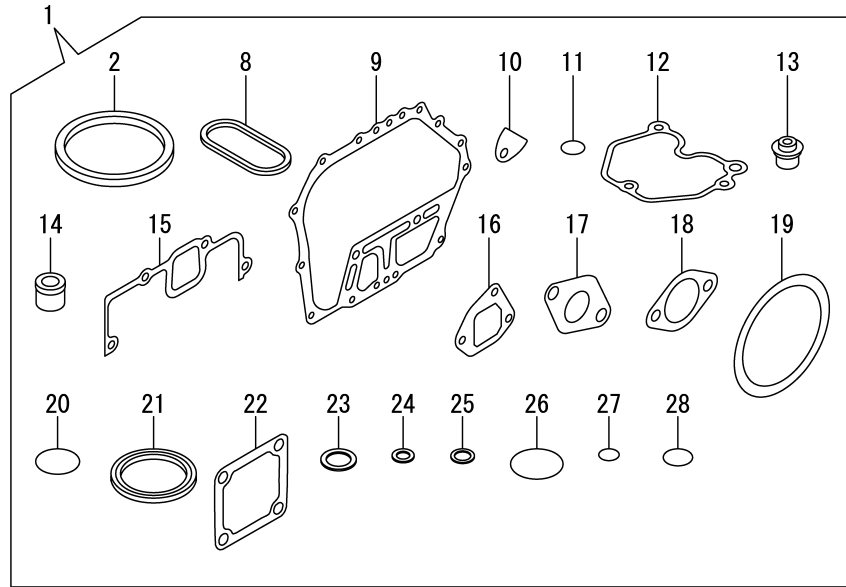


No.	Lev.	Parts No.	Description	Q'ty						I	R
				(A)	(B)	(C)	(D)	(E)	(F)		
1	1	114351-77520	COUPLER	1							
3	1	119225-52102	PUMP ASSY, FUEL FEED	1							
5	1	114299-59850	ORIFICE	1							

Fig.26. GASKET SET

(A)=L100N5EJ2C1HATE
(B)=
(C)=

(D)=
(E)=
(F)=



No.	Lev.	Parts No.	Description	Q'ty						I	R
				(A)	(B)	(C)	(D)	(E)	(F)		
1	1	114320-92600	GASKET SET	1							1
2	2	114695-01331	GASKET, HEAD	1							
8	2	114699-01380	O-RING	1							
9	2	114699-01410	GASKET, CRANK CASE	1							
10	2	114250-01841	GASKET	1							
11	2	114299-01950	O-RING, 18	2							
12	2	114310-11310	GASKET, BONNET	1							
13	2	114650-11341	SEAL, VALVE STEM	2							
14	2	114771-11461	GASKET, NOZZLE	1							
15	2	114310-12210	GASKET, AIR CLEANER	1							
16	2	114699-12210	GASKET, AIR CLEANER	2							
17	2	114310-13200	GASKET, MUFFLER	1							
18	2	183671-13211	GASKET, PIPE	1							
19	2	114399-21980	GASKET	1							
20	2	114299-32570	O-RING	1							
21	2	160393-55050	GASKET	4							
22	2	129100-77510	GASKET	3							
23	2	22190-160002	WASHER, SEAL 16	2							
24	2	23414-080000	GASKET, 8X1.0	1							
25	2	23414-120000	GASKET, 12X1.0	1							
26	2	24311-000400	O-RING, 1AP40.0	1							
27	2	24341-000150	O-RING, 1AS15.0	2							
28	2	24341-000224	O-RING, 1AS22.4	1							

Remarks

(1)Optional parts.

N:Old $\xrightarrow{\text{Yes}}$ New, Q:Old $\xrightarrow{\text{No}}$ New, R:Old $\xrightarrow{\text{Yes}}$ New, S:Old $\xrightarrow{\text{No}}$ New, W:Add, Z:Discontinued, F:Interchangeable by set, K:Q'ty Change

Parts No. Index

Parts No.	Fig. No.	Ref. No.
102103-55520	18	9
104200-55321	18	3
104200-55330	18	4
104200-55750	18	6
104211-11370	4	27
105546-51020	17	2
105546-51330	17	15
106990-44660	18	19
		23
110250-55610	18	8
114110-76910	17	73
114210-03590	4	39
114210-11901	4	31
114210-14300	8	7
114210-61290	13	32
114210-66300	19	3
114210-66330	19	5
114210-66350	19	7
114210-66511	19	2
114210-78800	24	5
114211-66600	19	16
114220-07130	3	10
114220-07151	3	6
	19	1
114220-55810	18	12
114240-11450	4	28
114240-11550	4	29
114250-01841	1	20
	26	10
114250-11240	4	18
		22
114250-51080	17	3
114250-51160	17	4
114250-51340	17	16
114250-51500	17	18
114250-51640	17	19
114250-51650	17	20
114250-53080	17	24
114250-53120	17	30
114250-53130	17	31
114250-53140	17	32
114250-53210	17	36
114250-55510	18	10
114250-59051	18	16
114252-12550	6	11
114252-12560	6	7
114270-59010	18	15
114299-01600	1	7
114299-01690	2	1
114299-01800	1	8

Parts No.	Fig. No.	Ref. No.
114299-01830	1	19
114299-01950	2	4
	26	11
114299-02030	1	38
114299-03640	4	42
114299-07111	3	2
114299-07160	3	3
114299-12300	6	2
114299-32070	13	7
114299-32570	13	8
	26	20
114299-35110	13	12
114299-35150	1	33
114299-45220	15	1
114299-45301	16	3
114299-45310	16	4
114299-45350	16	6
114299-59850	25	5
114299-61190	13	17
114299-61600	13	29
114299-66201	19	15
114299-83020	17	74
114310-01020	1	1
114310-01200	4	1
114310-01210	4	2
114310-01450	1	28
114310-11120	4	10
114310-11180	4	11
114310-11290	4	25
114310-11310	4	36
	26	12
114310-11930	4	12
114310-11950	4	37
114310-12050	5	1
114310-12210	5	2
	26	15
114310-12220	23	2
114310-13200	7	1
	26	17
114310-14200	8	6
114310-14400	8	12
114310-22500	11	10
114310-23200	11	28
114310-45150	16	1
114310-45260	15	2
114310-45360	5	5
114310-55600	18	11
114310-59060	18	29
114310-59100	18	13
114310-59310	18	31

Parts No.	Fig. No.	Ref. No.
114310-59800	17	65
114311-61500	13	18
11431C-11100	4	8
11431C-11110	4	9
11431C-11250	4	14
11431C-11260	4	15
11431C-11650	4	16
11431C-11660	4	20
11431C-13550	7	2
11431C-13560	7	3
11431C-13700	7	4
11431C-13710	7	5
11431C-13720	7	6
11431C-21840	9	1
114320-13800	7	12
114320-66020	19	14
114320-77010	21	1
114320-77110	21	4
114320-77130	21	5
114320-77770	21	12
114320-92600	26	1
11432C-11020	4	3
114339-51200	17	5
114339-53100	17	25
114339-53200	17	33
114339-59300	18	27
114351-77520	25	1
114354-55501	18	1
114354-59020	18	14
114354-59030	18	18
114399-21980	26	19
114399-45320	15	3
114399-45340	15	4
114399-76540	20	7
114399-76620	20	10
114399-77030	21	10
114399-77040	21	2
114399-77050	21	7
114399-77060	21	3
114399-77140	21	6
114399-77150	21	9
114399-77160	21	8
114399-77180	21	11
114399-77410	22	2
114399-77560	22	1
114399-77720	22	3
114399-78000	22	4
114399-78280	24	1
114399-78770	24	2
114399-78780	24	3

Parts No.	Fig. No.	Ref. No.
114650-02100	1	31
114650-02150	1	39
114650-02200	1	35
114650-02210	1	36
114650-11341	4	26
	26	13
114650-12550	6	10
114650-12590	6	8
114650-32010	13	1
114650-51300	17	12
114652-12230	23	4
114695-01331	26	2
114695-01341	1	5
114699-01380	1	6
	26	8
114699-01410	1	27
	26	9
114699-01760	2	2
114699-11600	4	30
114699-12210	6	1
	23	1
	26	16
114699-21220	10	1
114699-21550	10	2
114699-21600	10	3
114699-21630	10	6
114699-22300	11	9
114699-45331	16	5
114699-59850	17	71
114699-76251	20	2
114699-76510	20	3
114699-76521	20	4
114699-76531	20	6
114699-76551	20	8
114699-76560	20	9
114699-76592	20	16
114699-76630	20	11
114699-76650	20	12
114699-76660	20	13
114699-76670	20	14
114699-76680	20	15
114770-61520	13	28
114770-61610	13	30
114771-11461	26	14
114780-61090	19	23
114973-59040	18	22
114973-59340	18	25
114980-12530	6	6
119225-52102	25	3
119629-59910	18	26

Parts No. Index

Parts No.	Fig. No.	Ref. No.
119803-53400	17	37
119810-55340	18	2
121750-59890	18	32
124060-23100	11	27
124064-55510	18	7
124066-59100	18	30
124550-51350	17	17
124722-59050	18	28
124766-59050	18	17
		20
		24
129100-77501	23	5
129100-77510	23	6
	26	22
129470-59540	18	21
160393-55050	26	21
160710-78710	24	4
183250-66321	19	4
183250-66341	19	6
183250-66361	19	8
183250-66371	19	9
183671-12520	6	5
183671-13211	26	18
22117-080000	18	33
22190-160002	2	5
	26	23
22242-000150	4	24
22312-030160	4	45
	13	9
22312-040080	1	21
22322-030200	13	27
22351-020006	17	11
22351-025005	17	29
22351-030008	17	21
22351-040008	4	32
22451-060000	19	24
22512-050140	10	7
23414-080000	26	24
23414-120000	26	25
23875-020000	1	22
23876-010000	14	1
24101-063040	12	6
24162-152220	1	40
24311-000400	26	26
24311-240100	18	5
24341-000150	26	27
24341-000224	13	14
	26	28
24423-355008	1	41
		42

Parts No.	Fig. No.	Ref. No.
26023-040102	22	5
26106-060082	20	17
26106-060122	13	10
	20	18
	22	6
	24	6
26106-060142	19	11
26106-060162	13	15
	19	10
26106-060202	15	5
	19	12
	22	7
	24	7
26106-060352	5	6
26106-060402	5	7
26106-060652	4	49
26106-080122	1	43
26106-080162	18	34
26106-080202	7	7
26106-080352	1	34
26106-080402	23	7
26106-080652	18	35
26106-100302	21	13
26216-080182	7	9
26226-060142	23	8
26226-060162	5	3
26226-060182	1	23
26226-060222	1	24
26226-060552	4	33
26306-080002	7	10
26366-060002	1	25
	4	34
	23	9
26716-080002	21	14
26776-100002	19	21
26856-060002	4	19
		23
714210-61701	13	31
714310-22500	11	3
714310-22540	11	13
714310-22550	11	19
714310-28510	12	1
71431C-23010	11	24
714320-22580	11	17
714320-22620	11	11
714320-22720	11	1
71432C-14010	8	1
714339-51310	17	1
714339-53200	17	23
714650-23600	11	29

Parts No.	Fig. No.	Ref. No.
714650-23610	11	31
714650-23620	11	33
783671-12560	6	3

Parts No.	Fig. No.	Ref. No.
-----------	----------	----------