

0CC50-M00360EN

# P R E F A C E

This parts catalog is the 1st edition of L70N6FF7T1AAWE for WEBER.

Published : April, 2015

# Contents

OCC50-M00360

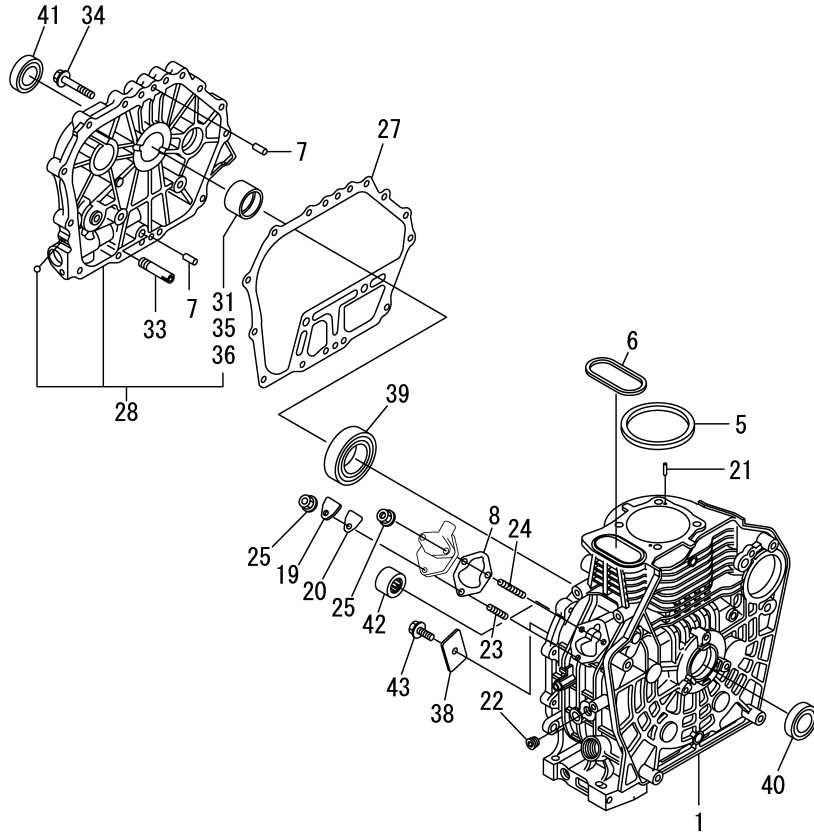
Fig. No. Fig. Name

Fig. No. Fig. Name

## ENGINE

1. CYLINDER BLOCK
2. DRAIN PLUG
3. LABEL
4. CYLINDER HEAD & BONNET
5. AIR CLEANER
6. PRE CLEANER
7. EXHAUST MUFFLER
8. CAMSHAFT
9. CRANKSHAFT
10. FLYWHEEL
11. PISTON & CONNECTING ROD
12. BALANCER SHAFT
13. LUB. OIL PUMP & GOVERNOR
14. OIL PRESSURE SWITCH CAP
15. COVER
16. COOLING FAN CASE
17. FUEL INJECTION PUMP & FUEL INJECTION VALVE
18. FUEL TANK & FUEL PIPE
19. CONTROL EQUIPMENT
20. RECOIL STARTER
21. ACCESSORY
22. GASKET SET

Fig.1. CYLINDER BLOCK



(A)=L70N6FF7T1AAWE  
(B)=  
(C)=

(D)=  
(E)=  
(F)=

No.	Lev.	Parts No.	Description	Q'ty						I	R
				(A)	(B)	(C)	(D)	(E)	(F)		
1	1	114210-01020	BLOCK ASSY, CYLINDER	1							
5	1	114395-01341	GASKET, HEAD 0.5	1							
6	1	114399-01380	O-RING	1							
7	1	114299-01600	PIN, 8X12	2							
8	1	114299-01800	SHIM SET	1							
19	1	114299-01830	COVER	1							
20	1	114250-01841	GASKET	1							
21	1	22312-040080	PIN, PARALLEL M4X 8	2							
22	1	23875-020000	PLUG, R02	1							
23	1	26226-060182	STUD, M6X 18	1							
24	1	26226-060222	STUD, M6X 22	2							
25	1	26366-060002	NUT, M6	3							
27	1	114399-01410	GASKET, CRANK CASE	1							
28	1	114210-01450	COVER(E-D,CRANK CASE	1							
31	2	114350-02100	BEARING, MAIN	1							1
33	1	114299-35150	PIPE, OIL INLET	1							
34	1	26106-080352	BOLT, M8X 35 PLATED	15							
35	1	114350-02200	BEARING, 0.25 US	1							2
36	1	114350-02210	BEARING, 0.50 US	1							3
38	1	114299-02030	RETAINER, BEARING	1							
39	1	114350-02113	BEARING, B35-135G3C3	1							
40	1	160110-02220	SEAL, OIL	1							
41	1	160110-02220	SEAL, OIL	1							
42	1	24162-152116	BEARING, 152116	1							
43	1	26106-080122	BOLT, M8X 12 PLATED	1							

Remarks

- (1) Spare parts.
- (2) Under-sized(U.S.=0.25) parts.
- (3) Under-sized(U.S.=0.50) parts.



Fig.3. LABEL

(A)=L70N6FF7T1AAWE  
(B)=  
(C)=

(D)=  
(E)=  
(F)=

No.	Lev.	Parts No.	Description	Q'ty						I	R
				(A)	(B)	(C)	(D)	(E)	(F)		
2	1	114220-07100	LABEL, CAUTION	1							
3	1	114299-07101	LABEL, YANMAR MARK A	1							
4	1	114220-07110	LABEL HOW TO START-E	1							
5	1	114299-07111	LABEL, YANMAR MARK B	1							
6	1	114299-07160	LABEL, DIESEL	1							
9	1	114220-07160	LABEL, THAI	1							
11	1	114220-07130	LABEL, HOT SURFACE	1							

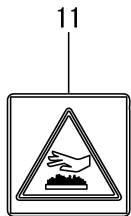
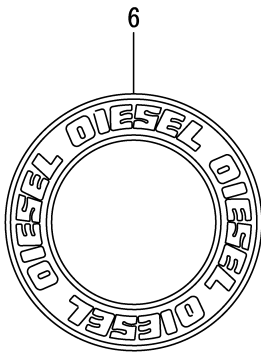
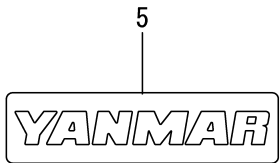
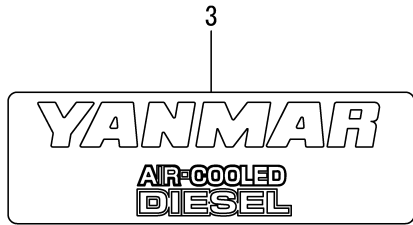
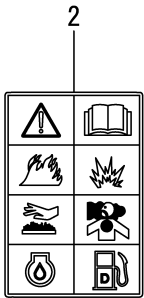
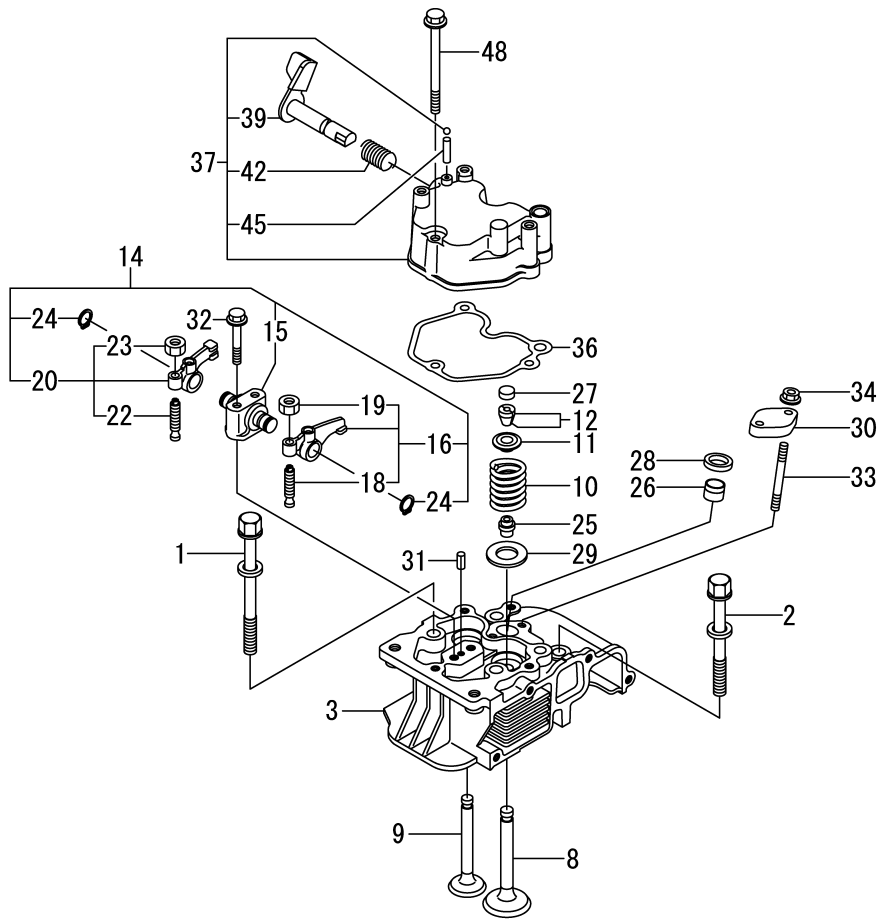


Fig.4. CYLINDER HEAD & BONNET

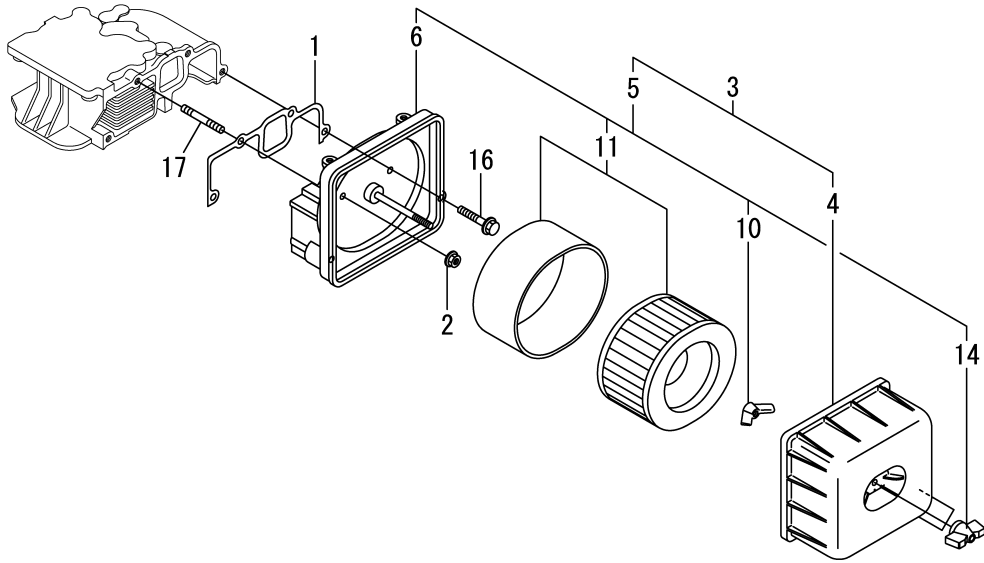


(A)=L70N6FF7T1AAWE  
(B)=  
(C)=

(D)=  
(E)=  
(F)=

No.	Lev.	Parts No.	Description	Q'ty						I	R
				(A)	(B)	(C)	(D)	(E)	(F)		
1	1	114210-01200	BOLT, CYL.HEAD A	2							
2	1	114210-01210	BOLT, CYL.HEAD B	2							
3	1	11422C-11020	HEAD ASSY, CYLINDER	1							
8	1	11421C-11100	VALVE, INTAKE	1							
9	1	11421C-11110	VALVE, EXHAUST	1							
10	1	114210-11120	SPRING, VALVE	2							
11	1	114210-11180	RETAINER, SPRING	2							
12	1	114210-11930	COTTER ASSY	2							
14	1	11421C-11250	SUPPORT ASSY, ARM	1							
15	2	11421C-11260	SUPPORT, ROCKER ARM	1							
16	2	11421C-11650	ARM ASSY, ROCKER	1							
18	3	114250-11240	SCREW, VALVE ADJUST	1							
19	3	26856-060002	NUT, M6	1							
20	2	11421C-11660	ARM ASSY, ROCKER	1							
22	3	114250-11240	SCREW, VALVE ADJUST	1							
23	3	26856-060002	NUT, M6	1							
24	2	22242-000120	RING, 12	2							
25	1	114350-11341	SEAL, VALVE STEM	2							
26	1	114339-11451	PROTECTOR, NOZZLE	1							
27	1	105010-11490	CAP, VALVE	2							
28	1	114339-11551	SEAT, NOZZLE	1							
29	1	114299-11600	WASHER, VALVE SPRING	2							
30	1	114210-11901	RETAINER, NOZZLE	1							
31	1	22351-040008	PIN, SPRING 4.0X 8	1							
32	1	26106-060402	BOLT, M6X 40 PLATED	2							
33	1	26226-060552	STUD, M6X 55	2							
34	1	26366-060002	NUT, M6	2							
36	1	114210-11310	GASKET, BONNET	1							
37	1	114210-11950	BONNET ASSY, HEAD	1							
39	2	114210-03590	DECOMPRESSION ASSY	1							
42	2	114299-03640	SPRING, DECOMPRESSION	1							
45	2	22312-030160	PIN, PARALLEL M3X16	1							
48	1	26106-060552	BOLT, M6X 55 PLATED	3							

Fig.5. AIR CLEANER



(A)=L70N6FF7T1AAWE  
(B)=  
(C)=

(D)=  
(E)=  
(F)=

No.	Lev.	Parts No.	Description	Q'ty						I	R
				(A)	(B)	(C)	(D)	(E)	(F)		
1	1	114210-12210	GASKET, AIR CLEANER	1							
2	1	114299-12300	NUT	3							
3	1	114240-12510	CLEANER ASSY, AIR	1							
4	2	114240-12520	COVER, AIR CREANER	1							
5	2	114220-12910	CLEANER ASSY(SUB,AIR	1							
6	3	114220-12010	BODY ASSY,AIR CLEANE	1							
10	3	114210-12560	NUT, WING	1							
11	3	114210-12590	ELEMENT ASSY	1							
14	3	114210-12600	LOCKING KNOB	1							
16	1	26106-060202	BOLT, M6X 20 PLATED	1							
17	1	26226-060302	STUD, M6X 30	3							

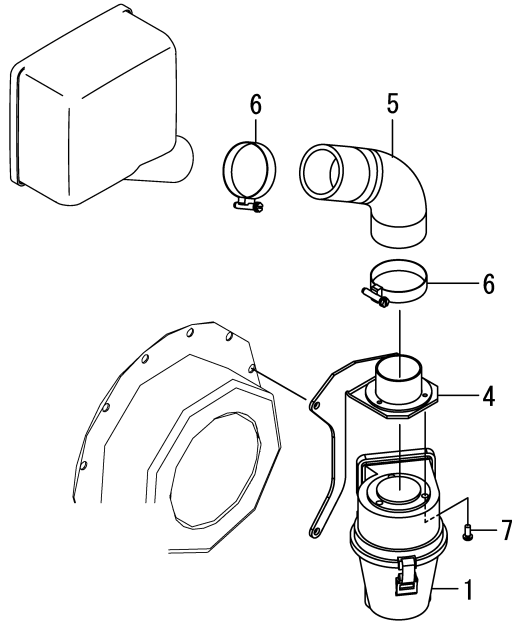


Fig.6. PRE CLEANER

(A)=L70N6FF7T1AAWE  
(B)=  
(C)=

(D)=  
(E)=  
(F)=

No.	Lev.	Parts No.	Description	Q'ty						I	R
				(A)	(B)	(C)	(D)	(E)	(F)		
1	1	114239-12900	CLEANER ASSY, PRE	1							
4	1	114220-12960	STAY, PRE CLEANER	1							
5	1	114240-12970	PIPE, PRE CLEANER	1							
6	1	23000-070000	CLAMP, 70	2							
7	1	26557-050122	SCREW, M5X12	3							



# Fig.7. EXHAUST MUFFLER

(A)=L70N6FF7T1AAWE  
 (B)=  
 (C)=

(D)=  
 (E)=  
 (F)=

No.	Lev.	Parts No.	Description	Q'ty						I	R
				(A)	(B)	(C)	(D)	(E)	(F)		
1	1	114299-13200	GASKET, MUFFLER	1							
2	1	11421C-13500	MUFFLER ASSY	1							
8	1	26106-060142	BOLT, M6X 14 PLATED	2							
10	1	26216-080182	STUD, M8X 18	2							
11	1	26306-080002	NUT, M8	2							

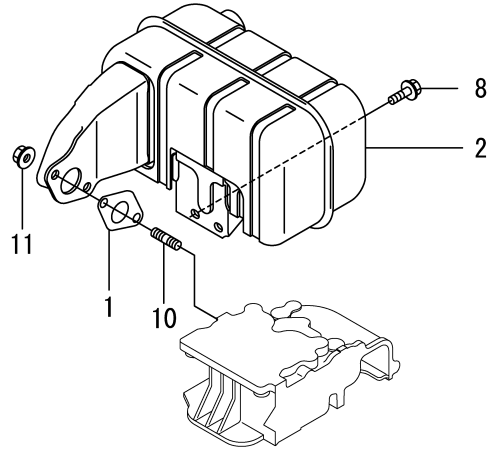


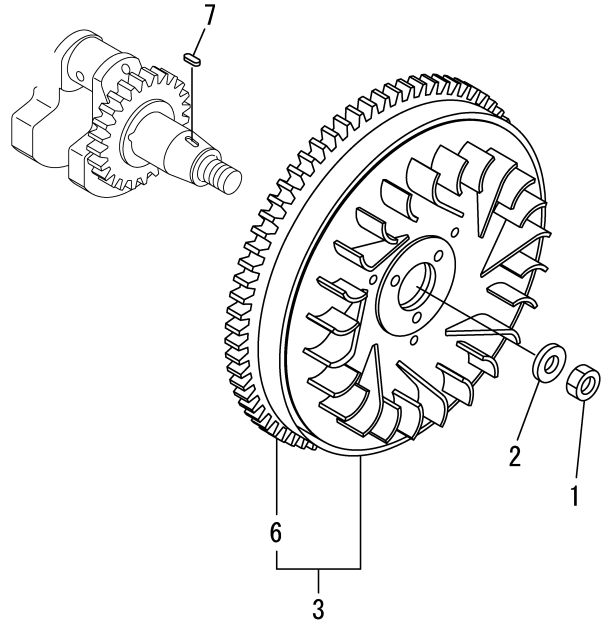




Fig.10. FLYWHEEL

(A)=L70N6FF7T1AAWE  
(B)=  
(C)=

(D)=  
(E)=  
(F)=

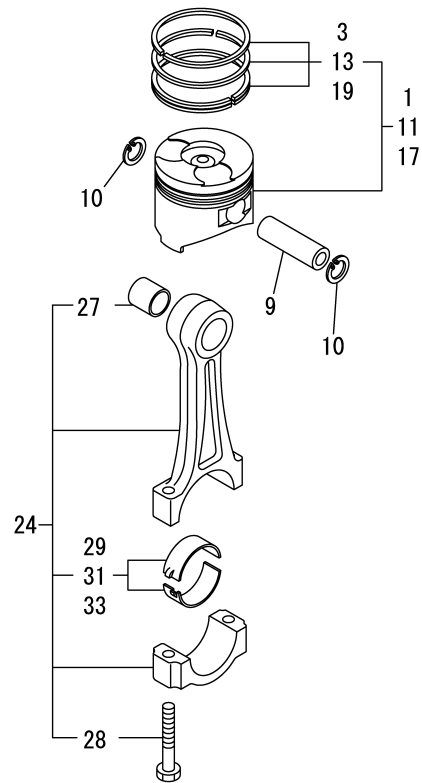


No.	Lev.	Parts No.	Description	Q'ty						I	R
				(A)	(B)	(C)	(D)	(E)	(F)		
1	1	114299-21220	NUT	1							
2	1	114299-21550	WASHER	1							
3	1	114399-21590	FLYWHEEL ASSY	1							
6	2	114399-21600	GEAR, RING	1							
7	1	22512-040120	KEY, 4X 12	1							

Fig.11. PISTON & CONNECTING ROD

(A)=L70N6FF7T1AAWE  
(B)=  
(C)=

(D)=  
(E)=  
(F)=



No.	Lev.	Parts No.	Description	Q'ty						I	R
				(A)	(B)	(C)	(D)	(E)	(F)		
1	1	714220-22720	PISTON W/RINGS (D)	1							
3	2	714870-22502	RING SET, PISTON	1							
9	1	114399-22300	PIN, PISTON D=21	1							
10	1	22252-000210	RING, 21	2							
11	1	714220-22620	PISTON W/RING .25OS	1							1
13	2	714870-22542	RING SET, 0.25 OS	1							1
17	1	714220-22580	PISTON W/RING .50OS	1							2
19	2	714870-22552	RING SET, 0.50 OS	1							2
24	1	71421C-23010	ROD ASSY, CONNECTING	1							
27	3	114380-23100	BEARING, PISTON PIN	1							
28	3	118200-23200	BOLT, CONNECTING ROD	2							
29	2	114210-23600	BEARING, CRANK PIN	1							
31	1	114210-23610	BEARING,PIN(U.S.=0.25	1							3
33	1	114210-23620	BEARING,PIN(U.S.=0.50	1							4

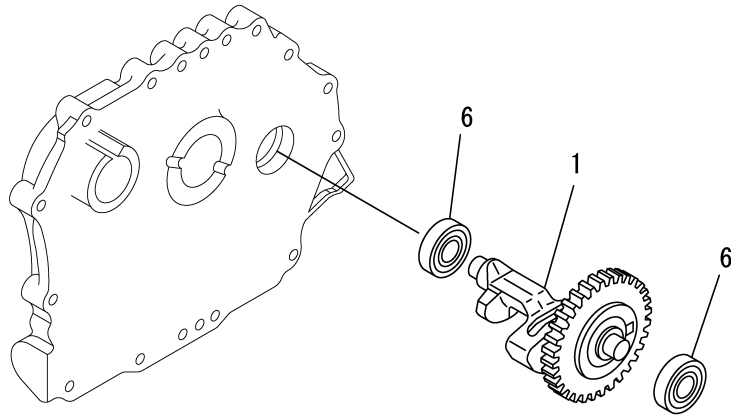
Remarks

- (1)Over-sized(O.S.=0.25) parts.
- (2)Over-sized(O.S.=0.50) parts.
- (3)Under-sized(U.S.=0.25) parts.
- (4)Under-sized(U.S.=0.50) parts.

Fig.12. BALANCER SHAFT

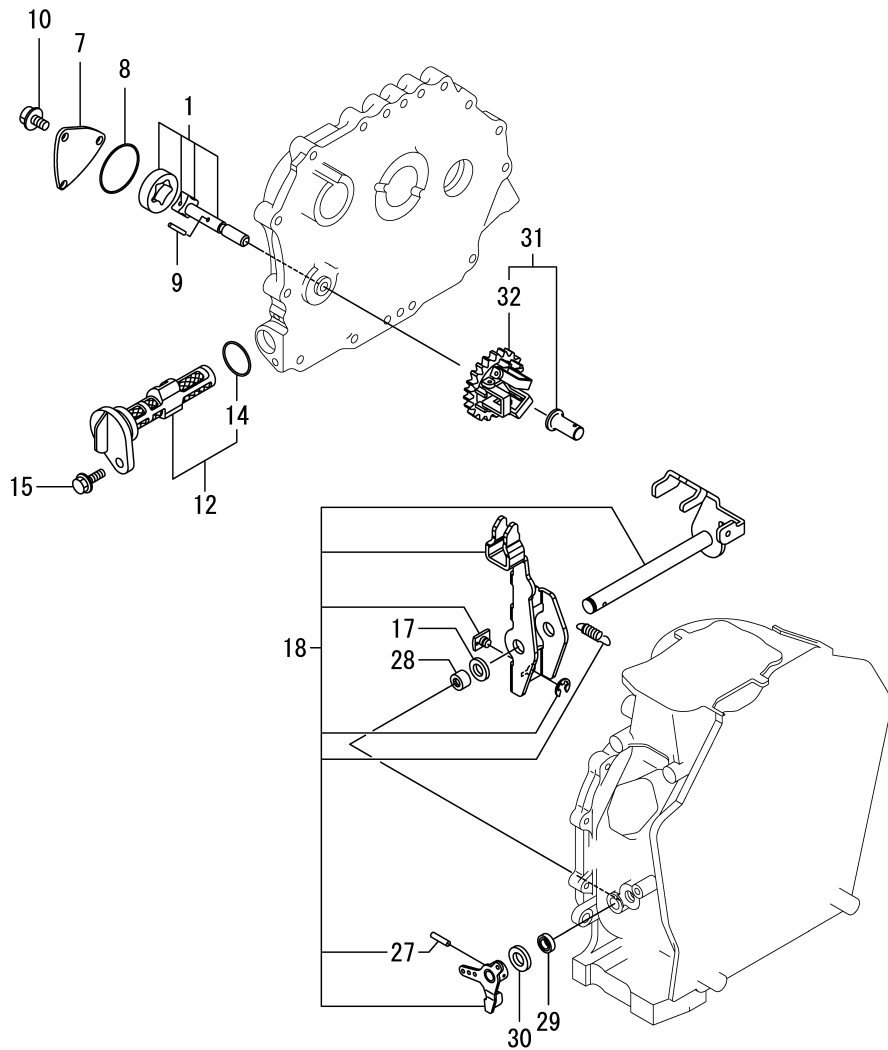
(A)=L70N6FF7T1AAWE  
(B)=  
(C)=

(D)=  
(E)=  
(F)=



No.	Lev.	Parts No.	Description	Q'ty						I	R
				(A)	(B)	(C)	(D)	(E)	(F)		
1	1	714210-28510	SHAFT ASSY, BALANCER	1							
6	1	114210-28050	BEARING, 6203 C0L	2							

Fig.13. LUB. OIL PUMP & GOVERNOR



(A)=L70N6FF7T1AAWE  
(B)=  
(C)=

(D)=  
(E)=  
(F)=

No.	Lev.	Parts No.	Description	Q'ty						I	R
				(A)	(B)	(C)	(D)	(E)	(F)		
1	1	114250-32010	PUMP ASSY, OIL	1							
7	1	114299-32070	COVER	1							
8	1	114299-32570	O-RING	1							
9	1	22312-030160	PIN, PARALLEL M3X16	1							
10	1	26106-060122	BOLT, M6X 12 PLATED	3							
12	1	114299-35110	FILTER ASSY, OIL	1							
14	2	24341-000224	O-RING, 1AS22.4	1							
15	1	26106-060162	BOLT, M6X 16 PLATED	1							
17	1	114299-61190	WASHER	1							
18	1	114211-61500	LEVER ASSY, GOVERNOR	1							1
27	2	22322-030200	PIN, TAPER 3X20	1							
28	1	114770-61520	BEARING, NEEDLE	2							
29	1	114299-61600	SEAL, OIL	1							
30	1	114770-61610	WASHER, THRUST	1							
31	1	714210-61701	GOVERNOR ASSY	1							
32	2	114210-61290	WEIGHT ASSY,GOVERNOR	1							

Remarks

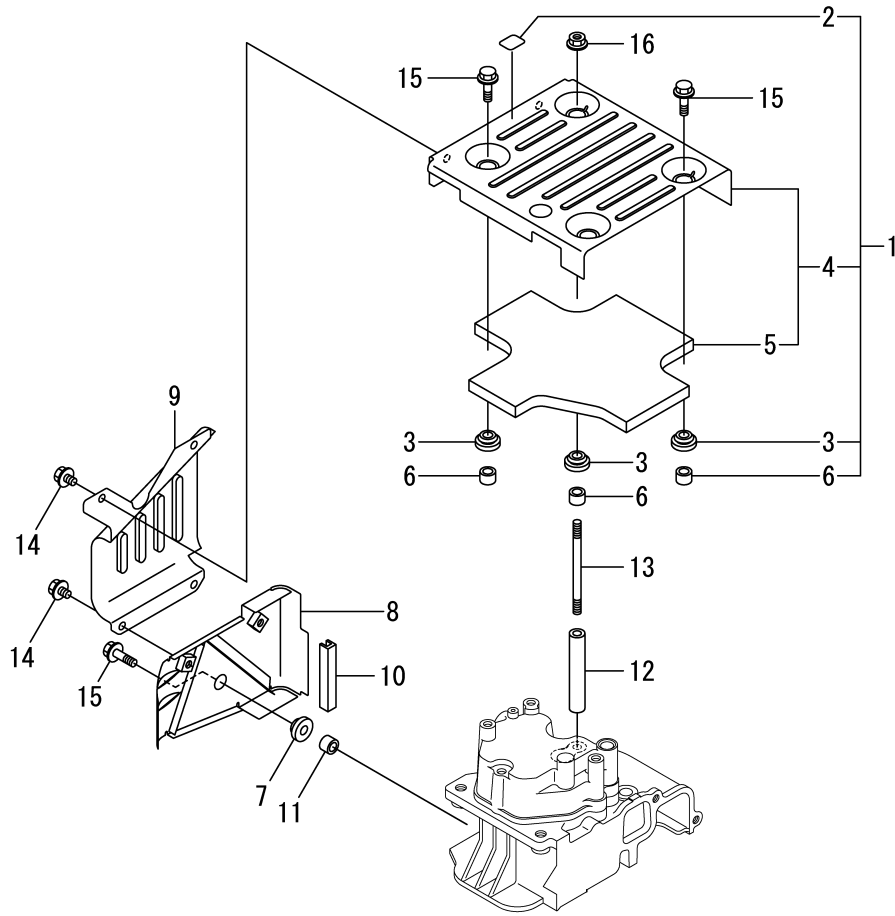
(1)On a guarantee of quality component part shall not be sold.

N:Old  $\xrightarrow{\text{Yes}}$  New, Q:Old  $\xrightarrow{\text{No}}$  New, R:Old  $\xrightarrow{\text{Yes}}$  New, S:Old  $\xrightarrow{\text{No}}$  New, W:Add, Z:Discontinued, F:Interchangeable by set, K:Q'ty Change





Fig.15. COVER

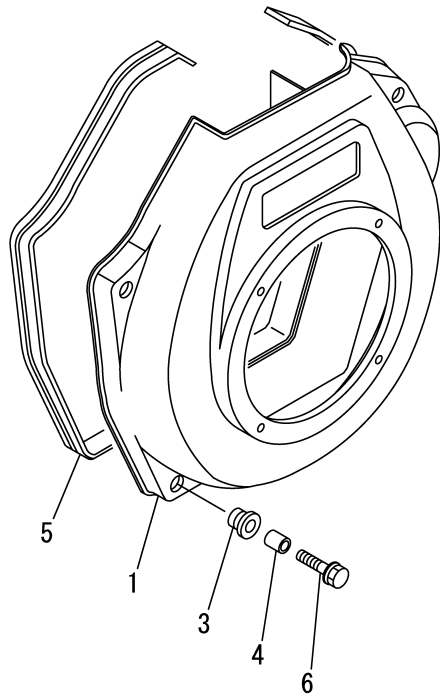


(A)=L70N6FF7T1AAWE  
(B)=  
(C)=

(D)=  
(E)=  
(F)=

No.	Lev.	Parts No.	Description	Q'ty						I	R
				(A)	(B)	(C)	(D)	(E)	(F)		
1	1	114220-45210	COVER ASSY, TOP	1							
2	2	114220-07120	LABEL, DECOMPRESSION	1							
3	2	114299-45220	GROMMET	4							
4	2	114210-45320	COVER, TOP	1							
5	3	114210-45310	DAMPER	1							
6	2	114399-45340	COLLAR	4							
7	1	114299-45220	GROMMET	1							
8	1	114210-45260	COVER B, SIDE (13)	1							
9	1	114210-45270	COVER A, SIDE (13)	1							
10	1	114399-45320	RUBBER, SEAL	1							
11	1	114399-45340	COLLAR	1							
12	1	114210-45350	SPACER, TOP COVER	1							
13	1	114210-45360	STUD BOLT, TOP COVER	1							
14	1	26106-060082	BOLT, M6X 8 PLATED	4							
15	1	26106-060202	BOLT, M6X 20 PLATED	4							
16	1	26366-060002	NUT, M6	1							

Fig.16. COOLING FAN CASE



(A)=L70N6FF7T1AAWE  
(B)=  
(C)=

(D)=  
(E)=  
(F)=

No.	Lev.	Parts No.	Description	Q'ty						I	R
				(A)	(B)	(C)	(D)	(E)	(F)		
1	1	114210-45150	CASE, COOLING FAN	1							
3	1	114299-45301	RUBBER, CUSHION	4							
4	1	114299-45310	COLLAR	4							
5	1	114299-45331	SEAL, FAN CASE	1							
6	1	114299-45350	BOLT, FAN CASE	4							

Fig.17. FUEL INJECTION PUMP & FUEL INJECTION VALVE

(A)=L70N6FF7T1AAWE

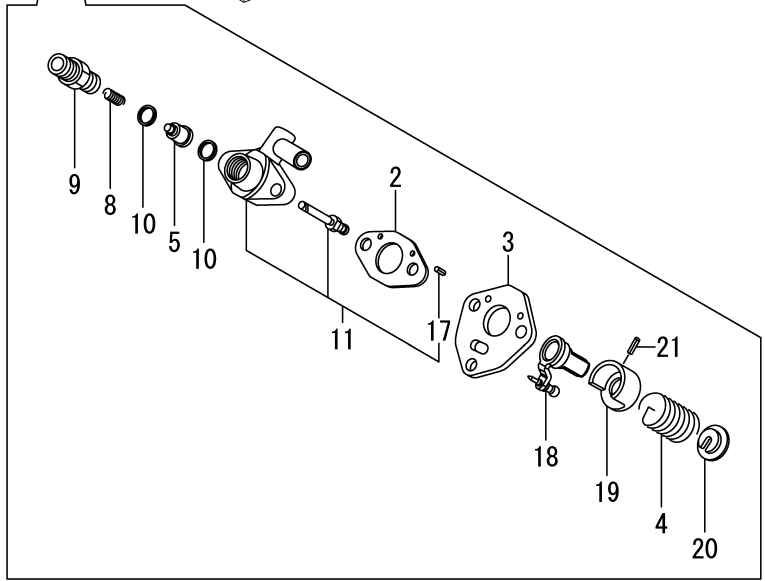
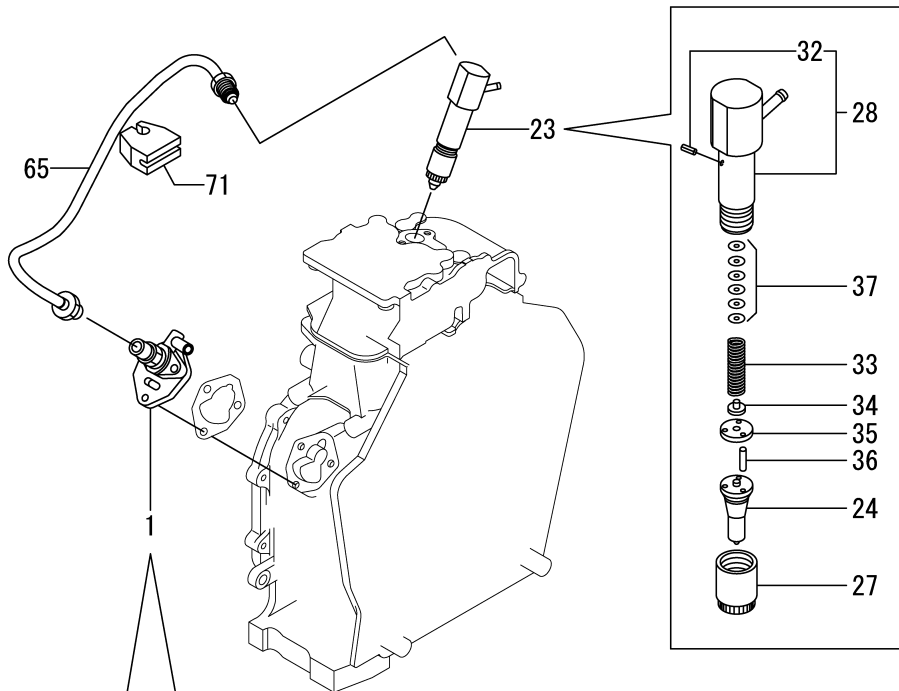
(B)=

(C)=

(D)=

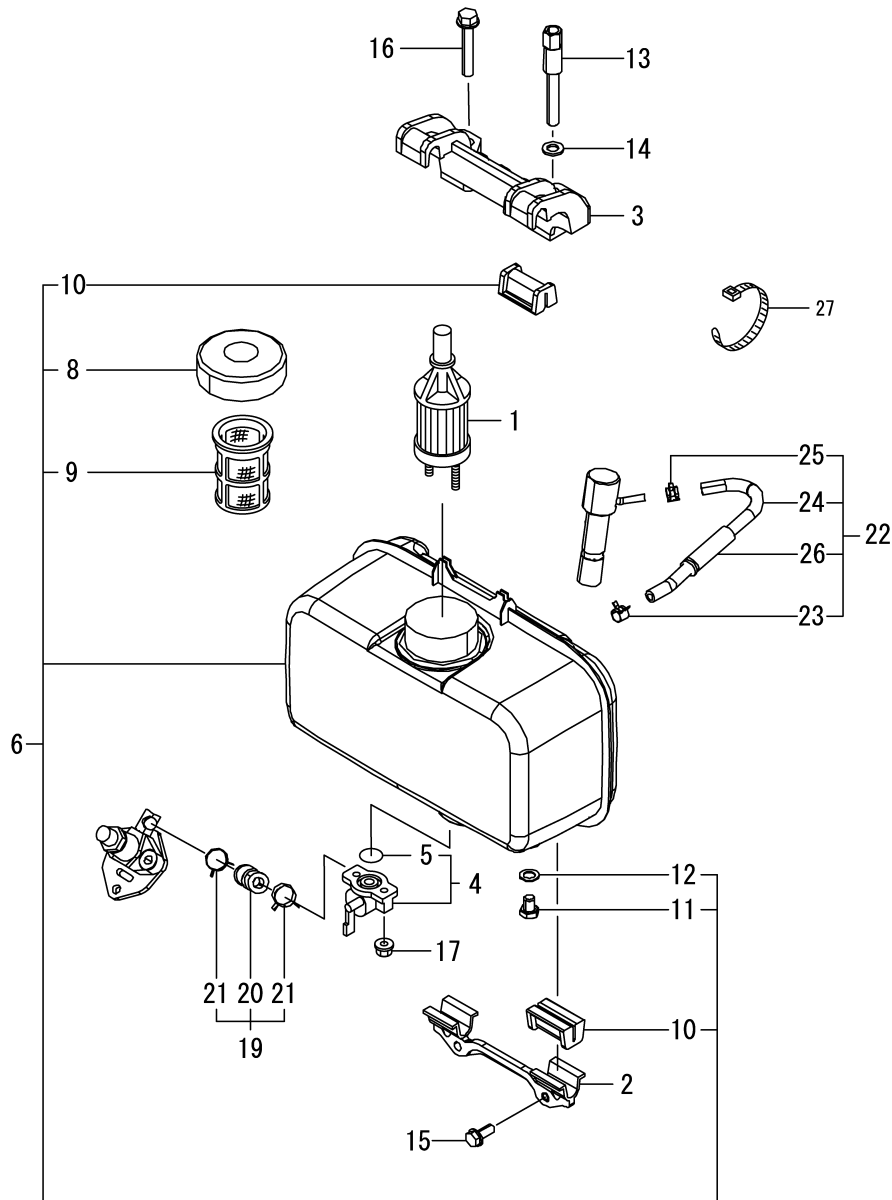
(E)=

(F)=



No.	Lev.	Parts No.	Description	Q'ty						I	R
				(A)	(B)	(C)	(D)	(E)	(F)		
1	1	714239-51400	PUMP ASSY, INJECTION	1							
2	2	105546-51020	GASKET	1							
3	2	114250-51080	PLATE	1							
4	2	114250-51160	SPRING, PLUNGER	1							
5	2	114650-51300	VALVE ASSY, DELIVERY	1							
8	2	105546-51330	SPRING, DELIVERY	1							
9	2	114250-51340	HOLDER, DELIVERY	1							
10	2	124550-51350	GASKET, DELIVERY	2							
11	2	114239-51400	BODY ASSY, PUMP	1							
17	4	22351-020006	PIN, SPRING 2.0X 6	2							
18	2	114250-51500	LEVER, CONTROL	1							
19	2	114250-51640	SEAT, SPRING A	1							
20	2	114250-51650	SEAT, SPRING B	1							
21	2	22351-030008	PIN, SPRING 3.0X 8	1							
23	1	714239-53100	VALVE ASSY, INJECTION	1							
24	2	114239-53050	VALVE ASSY, INJECTION	1							
27	2	114250-53080	NUT, NOZZLE D16.95	1							
28	2	114339-53100	HOLDER ASSY, NOZZLE	1							
32	3	22351-025005	PIN, SPRING 2.5X 6	1							
33	2	114250-53120	SPRING, NOZZLE	1							
34	2	114250-53130	SEAT, SPRING	1							
35	2	114250-53140	PLATE	1							
36	2	114250-53210	PIN	2							
37	2	119803-53400	SHIM SET	1							
65	1	114210-59800	PIPE ASSY, INJECTION	1							
71	1	114210-59850	SUPPORT, INJ. PIPE	1							

Fig.18. FUEL TANK & FUEL PIPE



(A)=L70N6FF7T1AAWE

(B)=

(C)=

(D)=

(E)=

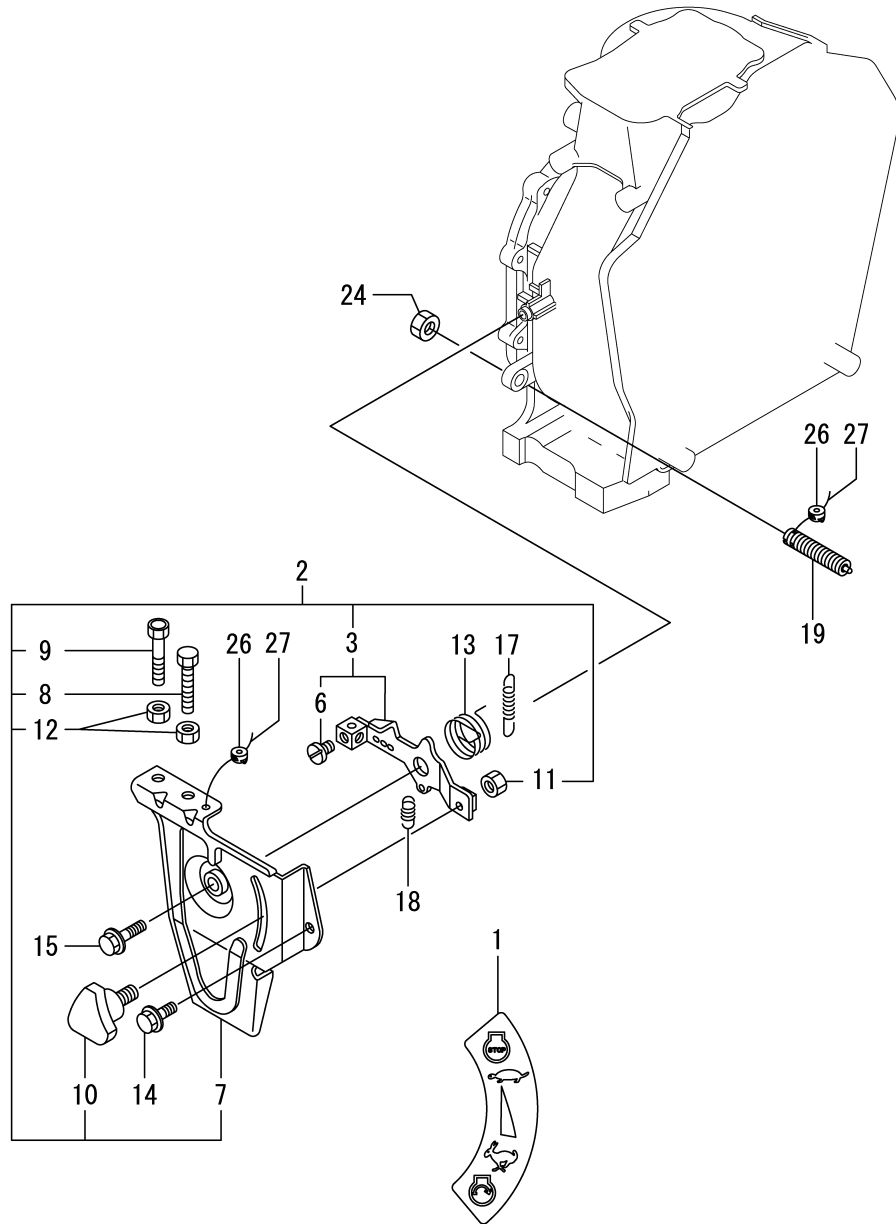
(F)=

No.	Lev.	Parts No.	Description	Q'ty						I	R
				(A)	(B)	(C)	(D)	(E)	(F)		
1	1	114239-55120	FILTER ASSY, FUEL	1							
2	1	114210-55210	STAY A, FUEL TANK	1							
3	1	114210-55230	STAY B, FUEL TANK	1							
4	1	114250-55301	COCK ASSY, FUEL	1							
5	2	24341-000150	O-RING, 1AS15.0	1							
6	1	11421C-55710	TANK ASSY, FUEL OIL	1							
8	2	114299-55040	CAP ASSY, FUEL TANK	1							
9	2	114299-55100	FILTER, FUEL OIL	1							
10	2	114250-55201	DAMPER, FUEL TANK	4							
11	2	114299-55080	PLUG, DRAIN	1							
12	2	23414-080000	GASKET, 8X1.0	1							
13	1	114210-55810	BOLT, LIFTING	1							
14	1	22117-080000	WASHER, 8	1							
15	1	26106-060162	BOLT, M6X 16 PLATED	2							
16	1	26106-080452	BOLT, M8X 45 PLATED	1							
17	1	26366-060002	NUT, M6	2							
19	1	114780-59010	PIPE ASSY, FUEL L50	1							
20	2	114780-59060	PIPE, FUEL L=50	1							
21	2	23080-014000	CLAMP, 14	2							
22	1	114239-59300	PIPE ASSY, RETURN	1							
23	2	124722-59050	CLIP, HOSE 9	1							
24	2	114650-59060	PIPE, FUEL RETURN	1							
25	2	124066-59100	CLIP, HOSE 8	1							
26	2	114652-59310	TUBE, PROTECT	1							
27	2	121750-59890	BAND, 140	1							

Fig.19. CONTROL EQUIPMENT

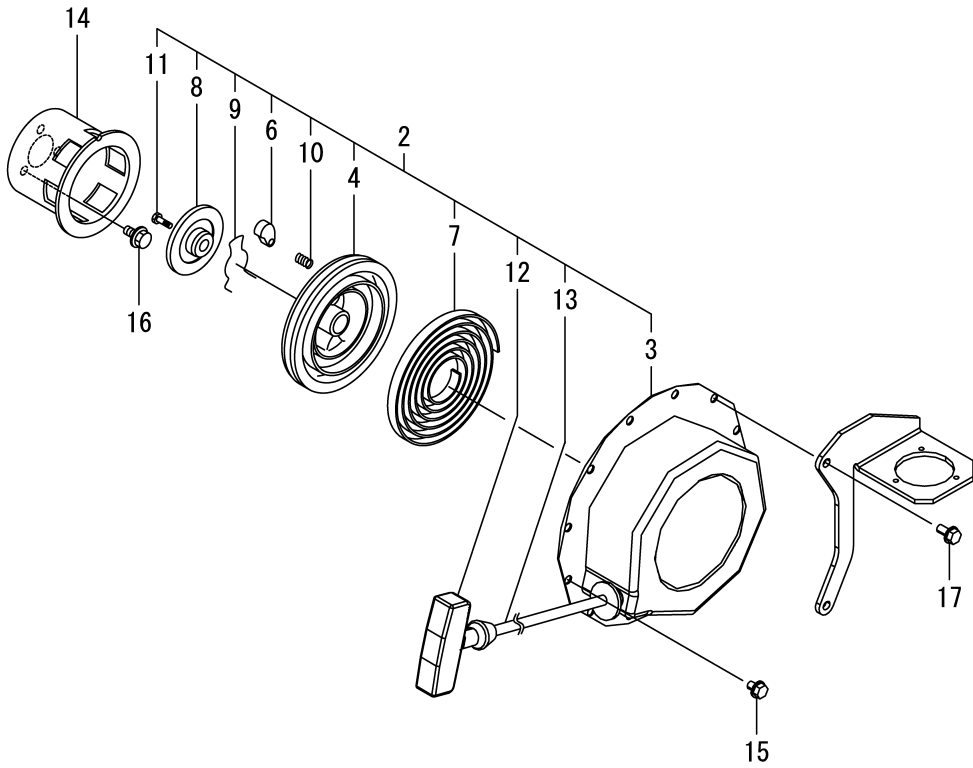
(A)=L70N6FF7T1AAWE  
(B)=  
(C)=

(D)=  
(E)=  
(F)=



No.	Lev.	Parts No.	Description	Q'ty						I	R
				(A)	(B)	(C)	(D)	(E)	(F)		
1	1	114220-07160	LABEL, THAI	1							
2	1	714210-66100	SPEED CTRL, THAI	1							
3	2	114210-66060	HANDLE ASY,REGULATOR	1							
6	3	26117-050089	BOLT, M5X 8 PLATED	1							
7	2	114210-66100	BRACKET, REGULATOR	1							
8	2	114299-66440	BOLT, ADJUSTING	1							
9	2	114299-67080	BOLT, ADJUSTING	1							
10	2	160725-78350	KNOB	1							
11	2	26347-060002	NUT, M6	1							
12	2	26857-060002	NUT, M6	2							
13	1	114299-66250	SPRING, RETURN	1							
14	1	26106-060142	BOLT, M6X 14 PLATED	1							
15	1	26106-060202	BOLT, M6X 20 PLATED	1							
17	1	114320-66010	SPRING, REGULATOR	1							
18	1	114299-66201	SPRING, RETURN	1							
19	1	114220-66600	LIMITER ASSY, FUEL	1							
24	1	26776-100002	NUT, LOCK M10	1							
26	1	114780-61090	TIN	2							
27	1	22451-060000	WIRE, 0.6	2							

Fig.20. RECOIL STARTER



(A)=L70N6FF7T1AAWE  
(B)=  
(C)=

(D)=  
(E)=  
(F)=

No.	Lev.	Parts No.	Description	Q'ty						I	R
				(A)	(B)	(C)	(D)	(E)	(F)		
2	2	114399-76251	RECOIL STARTER(D)ASY	1							
3	3	114399-76510	CASE, STARTER	1							
4	3	114399-76521	REEL, RECOIL	1							
6	3	114399-76531	RATCHET	1							
7	3	114399-76540	SPRING, SPIRAL	1							
8	3	114399-76550	COVER	1							
9	3	114399-76560	SPRING	1							
10	3	114399-76570	SPRING, RETURN	1							
11	3	114399-76580	SCREW	1							
12	3	114399-76620	KNOB, STARTER	1							
13	3	114399-76630	ROPE, STARTER	1							
14	2	114399-76590	PULLEY, STARTER	1							
15	1	26106-060082	BOLT, M6X 8 PLATED	2							
16	1	26106-060122	BOLT, M6X 12 PLATED	3							
17	1	26106-060122	BOLT, M6X 12 PLATED	2							

Fig.21. ACCESSORY

(A)=L70N6FF7T1AAWE  
(B)=  
(C)=

(D)=  
(E)=  
(F)=

No.	Lev.	Parts No.	Description	Q'ty						I	R
				(A)	(B)	(C)	(D)	(E)	(F)		
1	1	183350-55130	WASHER	2							1
2	1	114299-67080	BOLT, ADJUSTING	1							
3	1	26857-060002	NUT, M6	2							

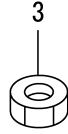
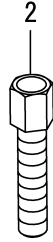
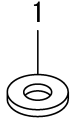
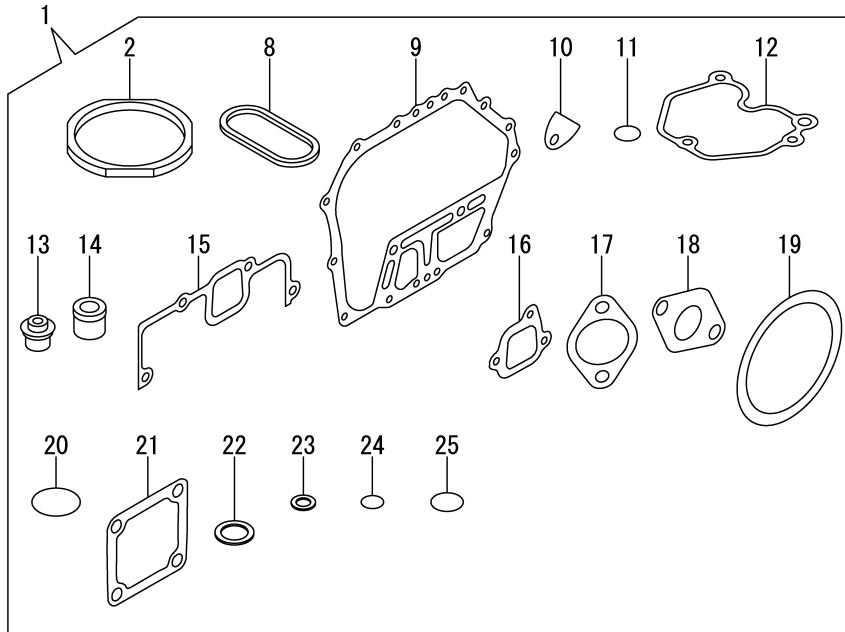




Fig.22. GASKET SET

(A)=L70N6FF7T1AAWE  
(B)=  
(C)=

(D)=  
(E)=  
(F)=



No.	Lev.	Parts No.	Description	Q'ty						I	R
				(A)	(B)	(C)	(D)	(E)	(F)		
1	1	114220-92600	GASKET SET	1							1
2	2	114395-01331	GASKET, HEAD	1							
8	2	114399-01380	O-RING	1							
9	2	114399-01410	GASKET, CRANK CASE	1							
10	2	114250-01841	GASKET	1							
11	2	114299-01950	O-RING, 18	2							
12	2	114210-11310	GASKET, BONNET	1							
13	2	114350-11341	SEAL, VALVE STEM	2							
14	2	114771-11461	GASKET, NOZZLE	1							
15	2	114210-12210	GASKET, AIR CLEANER	1							
16	2	114299-12210	GASKET, AIR CLEANER	2							
17	2	114299-12920	GASKET, AIR CLEANER	1							
18	2	114299-13200	GASKET, MUFFLER	1							
19	2	114399-21980	GASKET	1							
20	2	114299-32570	O-RING	1							
21	2	129100-77510	GASKET	3							
22	2	22190-160002	WASHER, SEAL 16	2							
23	2	23414-080000	GASKET, 8X1.0	1							
24	2	24341-000150	O-RING, 1AS15.0	1							
25	2	24341-000224	O-RING, 1AS22.4	1							

Remarks

(1)Optional parts.

N:Old  $\xrightarrow{\text{Yes}}$  New, Q:Old  $\xrightarrow{\text{No}}$  New, R:Old  $\xrightarrow{\text{Yes}}$  New, S:Old  $\xrightarrow{\text{No}}$  New, W:Add, Z:Discontinued, F:Interchangeable by set, K:Q'ty Change

## Parts No. Index

Parts No.	Fig. No.	Ref. No.
105010-11490	4	27
105546-51020	17	2
105546-51330	17	8
114210-01020	1	1
114210-01200	4	1
114210-01210	4	2
114210-01450	1	28
114210-03590	4	39
114210-11120	4	10
114210-11180	4	11
114210-11310	4	36
	22	12
114210-11901	4	30
114210-11930	4	12
114210-11950	4	37
114210-12210	5	1
	22	15
114210-12560	5	10
114210-12590	5	11
114210-12600	5	14
114210-14200	8	6
114210-14300	8	7
114210-14400	8	12
114210-21760	9	1
114210-23600	11	29
114210-23610	11	31
114210-23620	11	33
114210-28050	12	6
114210-45150	16	1
114210-45260	15	8
114210-45270	15	9
114210-45310	15	5
114210-45320	15	4
114210-45350	15	12
114210-45360	15	13
114210-55210	18	2
114210-55230	18	3
114210-55810	18	13
114210-59800	17	65
114210-59850	17	71
114210-61290	13	32
114210-66060	19	3
114210-66100	19	7
114211-61500	13	18
11421C-11100	4	8
11421C-11110	4	9
11421C-11250	4	14
11421C-11260	4	15
11421C-11650	4	16
11421C-11660	4	20

Parts No.	Fig. No.	Ref. No.
11421C-13500	7	2
11421C-55710	18	6
114220-07100	3	2
114220-07110	3	4
114220-07120	15	2
114220-07130	3	11
114220-07160	3	9
	19	1
114220-12010	5	6
114220-12910	5	5
114220-12960	6	4
114220-45210	15	1
114220-66600	19	19
114220-92600	22	1
11422C-11020	4	3
114239-12900	6	1
114239-51400	17	11
114239-53050	17	24
114239-55120	18	1
114239-59300	18	22
114240-12510	5	3
114240-12520	5	4
114240-12970	6	5
114250-01841	1	20
	22	10
114250-11240	4	18
		22
114250-32010	13	1
114250-51080	17	3
114250-51160	17	4
114250-51340	17	9
114250-51500	17	18
114250-51640	17	19
114250-51650	17	20
114250-53080	17	27
114250-53120	17	33
114250-53130	17	34
114250-53140	17	35
114250-53210	17	36
114250-55201	18	10
114250-55301	18	4
114299-01600	1	7
114299-01690	2	1
114299-01800	1	8
114299-01830	1	19
114299-01950	2	4
	22	11
114299-02030	1	38
114299-03640	4	42
114299-07101	3	3

Parts No.	Fig. No.	Ref. No.
114299-07111	3	5
114299-07160	3	6
114299-11600	4	29
114299-12210	22	16
114299-12300	5	2
114299-12920	22	17
114299-13200	7	1
	22	18
114299-21220	10	1
114299-21550	10	2
114299-32070	13	7
114299-32570	13	8
	22	20
114299-35110	13	12
114299-35150	1	33
114299-45220	15	3
		7
114299-45301	16	3
114299-45310	16	4
114299-45331	16	5
114299-45350	16	6
114299-55040	18	8
114299-55080	18	11
114299-55100	18	9
114299-61190	13	17
114299-61600	13	29
114299-66201	19	18
114299-66250	19	13
114299-66440	19	8
114299-67080	19	9
	21	2
114320-66010	19	17
114339-11451	4	26
114339-11551	4	28
114339-53100	17	28
114350-02100	1	31
114350-02113	1	39
114350-02200	1	35
114350-02210	1	36
114350-11341	4	25
	22	13
114380-23100	11	27
114395-01331	22	2
114395-01341	1	5
114399-01380	1	6
	22	8
114399-01410	1	27
	22	9
114399-01700	2	7
114399-21590	10	3

Parts No.	Fig. No.	Ref. No.
114399-21600	10	6
114399-21980	22	19
114399-22300	11	9
114399-45320	15	10
114399-45340	15	6
		11
114399-76251	20	2
114399-76510	20	3
114399-76521	20	4
114399-76531	20	6
114399-76540	20	7
114399-76550	20	8
114399-76560	20	9
114399-76570	20	10
114399-76580	20	11
114399-76590	20	14
114399-76620	20	12
114399-76630	20	13
114650-51300	17	5
114650-59060	18	24
114652-59310	18	26
114699-01760	2	2
114770-61520	13	28
114770-61610	13	30
114771-11461	22	14
114780-59010	18	19
114780-59060	18	20
114780-61090	19	26
118200-23200	11	28
119803-53400	17	37
121750-59890	18	27
124066-59100	18	25
124550-51350	17	10
124722-59050	18	23
129100-77510	22	21
160110-02220	1	40
		41
160725-78350	19	10
183350-55130	21	1
22117-080000	18	14
22190-160002	2	5
	22	22
22242-000120	4	24
22252-000210	11	10
22312-030160	4	45
	13	9
22312-040080	1	21
22322-030200	13	27
22351-020006	17	17
22351-025005	17	32

## Parts No. Index

Parts No.	Fig. No.	Ref. No.
22351-030008	17	21
22351-040008	4	31
22451-060000	19	27
22512-040120	10	7
23000-070000	6	6
23080-014000	18	21
23414-080000	18	12
	22	23
23875-020000	1	22
23876-010000	14	1
24162-152116	1	42
24341-000150	18	5
	22	24
24341-000224	13	14
	22	25
26106-060082	15	14
	20	15
26106-060122	13	10
	20	16
		17
26106-060142	7	8
	19	14
26106-060162	13	15
	18	15
26106-060202	5	16
	15	15
	19	15
26106-060402	4	32
26106-060552	4	48
26106-080122	1	43
26106-080352	1	34
26106-080452	18	16
26106-100122	2	8
26117-050089	19	6
26216-080182	7	10
26226-060182	1	23
26226-060222	1	24
26226-060302	5	17
26226-060552	4	33
26306-080002	7	11
26347-060002	19	11
26366-060002	1	25
	4	34
	15	16
	18	17
26557-050122	6	7
26776-100002	19	24
26856-060002	4	19
		23
26857-060002	19	12

Parts No.	Fig. No.	Ref. No.
26857-060002	21	3
714210-28510	12	1
714210-61701	13	31
714210-66100	19	2
71421C-23010	11	24
714220-22580	11	17
714220-22620	11	11
714220-22720	11	1
71422C-14580	8	1
714239-51400	17	1
714239-53100	17	23
714870-22502	11	3
714870-22542	11	13
714870-22552	11	19

Parts No.	Fig. No.	Ref. No.
-----------	----------	----------

Parts No.	Fig. No.	Ref. No.
-----------	----------	----------