

0CC50-M00280EN

P R E F A C E

This parts catalog is the 1st edition of L100V6-GEHYS for Himoina Ltd.

Published : March, 2015

Contents

OCC50-M00280

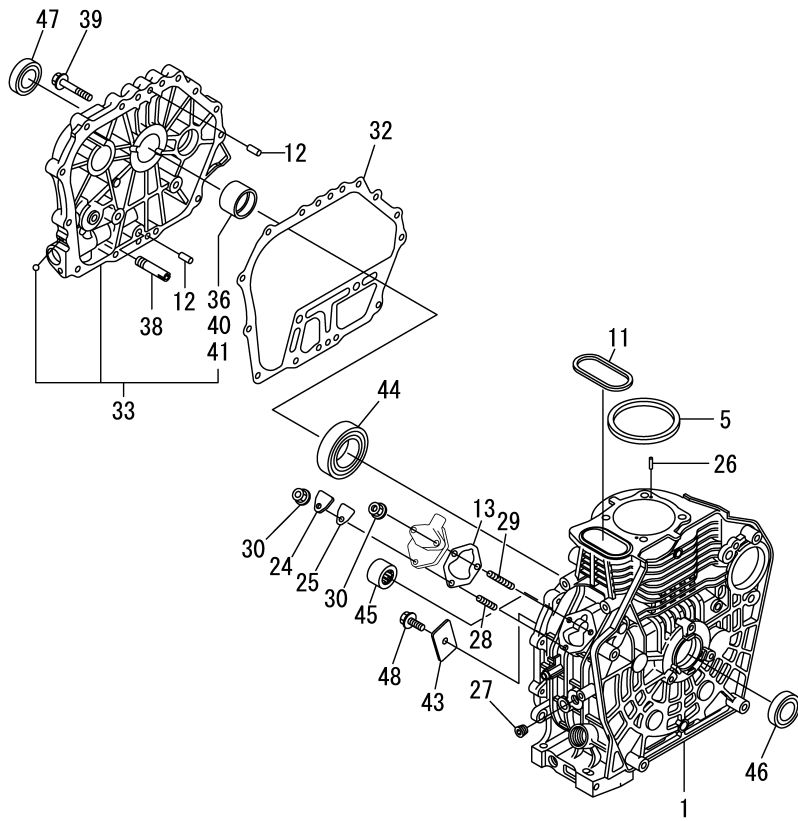
Fig. No. Fig. Name

Fig. No. Fig. Name

ENGINE

1. CYLINDER BLOCK
2. DRAIN PLUG
3. LABEL
4. CYLINDER HEAD & BONNET
5. SUCTION MANIFOLD
6. AIR CLEANER
7. EXHAUST MUFFLER
8. CAMSHAFT
9. CRANKSHAFT
10. FLYWHEEL
11. PISTON & CONNECTING ROD
12. BALANCER SHAFT
13. LUB. OIL PUMP & GOVERNOR
14. HYD. OIL SWITCH
15. COVER
16. COOLING FAN CASE
17. FUEL INJECTION PUMP & FUEL INJECTION VALVE
18. CONTROL EQUIPMENT
19. STARTER MOTOR
20. DYNAMO
21. ACCESSORY
22. GASKET SET

Fig.1. CYLINDER BLOCK



(A)=L100V6-GEHYS
(B)=
(C)=

(D)=
(E)=
(F)=

No.	Lev.	Parts No.	Description	Q'ty						I	R
				(A)	(B)	(C)	(D)	(E)	(F)		
1	1	114310-01010	BLOCK ASSY, CYLINDER	1							
5	1	114695-01331	GASKET, HEAD	1							
11	1	114699-01380	O-RING	1							
12	1	114299-01600	PIN, 8X12	2							
13	1	114299-01800	SHIM SET	1							
24	1	114299-01830	COVER	1							
25	1	114250-01841	GASKET	1							
26	1	22312-040080	PIN, PARALLEL M4X 8	2							
27	1	23875-020000	PLUG, R02	1							
28	1	26226-060182	STUD, M6X 18	1							
29	1	26226-060222	STUD, M6X 22	2							
30	1	26366-060002	NUT, M6	3							
32	1	114699-01410	GASKET, CRANK CASE	1							
33	1	114310-01450	COVER(D, CRANK CASE	1							
36	2	114650-02100	BEARING, MAIN	1							1
38	1	114299-35150	PIPE, OIL INLET	1							
39	1	26106-080352	BOLT, M8X 35 PLATED	16							
40	1	114650-02200	BEARING, 0.25 US	1							2
41	1	114650-02210	BEARING, 0.50 US	1							3
43	1	114299-02030	RETAINER, BEARING	1							
44	1	114650-02150	BEARING, HR6308G3	1							
45	1	24162-152220	BEARING, 152220	1							
46	1	24423-355008	SEAL, OIL TC355008	1							
47	1	24423-355008	SEAL, OIL TC355008	1							
48	1	26106-080122	BOLT, M8X 12 PLATED	1							

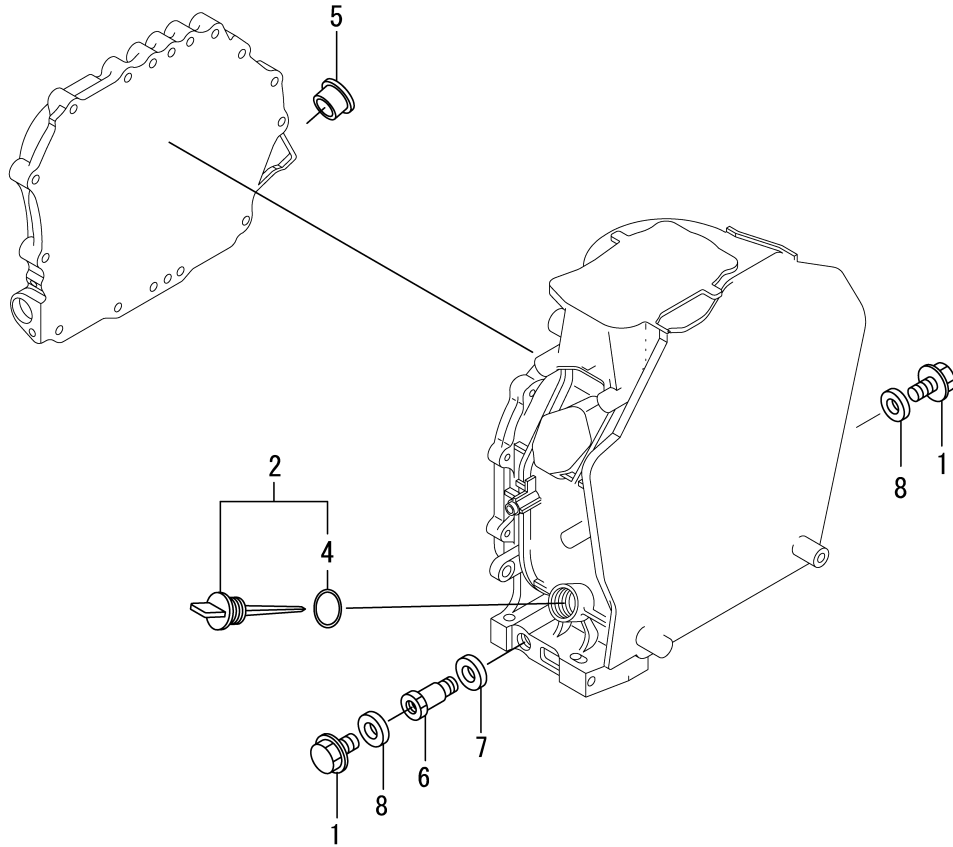
Remarks

- (1) Spare parts.
- (2) Under-sized(U.S.=0.25) parts.
- (3) Under-sized(U.S.=0.50) parts.

Fig.2. DRAIN PLUG

(A)=L100V6-GEHYS
(B)=
(C)=

(D)=
(E)=
(F)=



No.	Lev.	Parts No.	Description	Q'ty						I	R
				(A)	(B)	(C)	(D)	(E)	(F)		
1	1	114299-01690	PLUG M16	2							
2	1	114699-01760	CAP ASSY	1							
4	2	114299-01950	O-RING, 18	1							
5	1	160110-01870	PLUG, RUBBER	1							
6	1	183279-08350	NIPPLE, DRAIN	1							
7	1	22190-160002	WASHER, SEAL 16	1							
8	1	22190-160002	WASHER, SEAL 16	2							

Fig.3. LABEL

(A)=L100V6-GEHYS
(B)=
(C)=

(D)=
(E)=
(F)=

No.	Lev.	Parts No.	Description	Q'ty						I	R
				(A)	(B)	(C)	(D)	(E)	(F)		
2	1	114299-07111	LABEL, YANMAR MARK B	1							

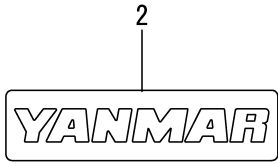
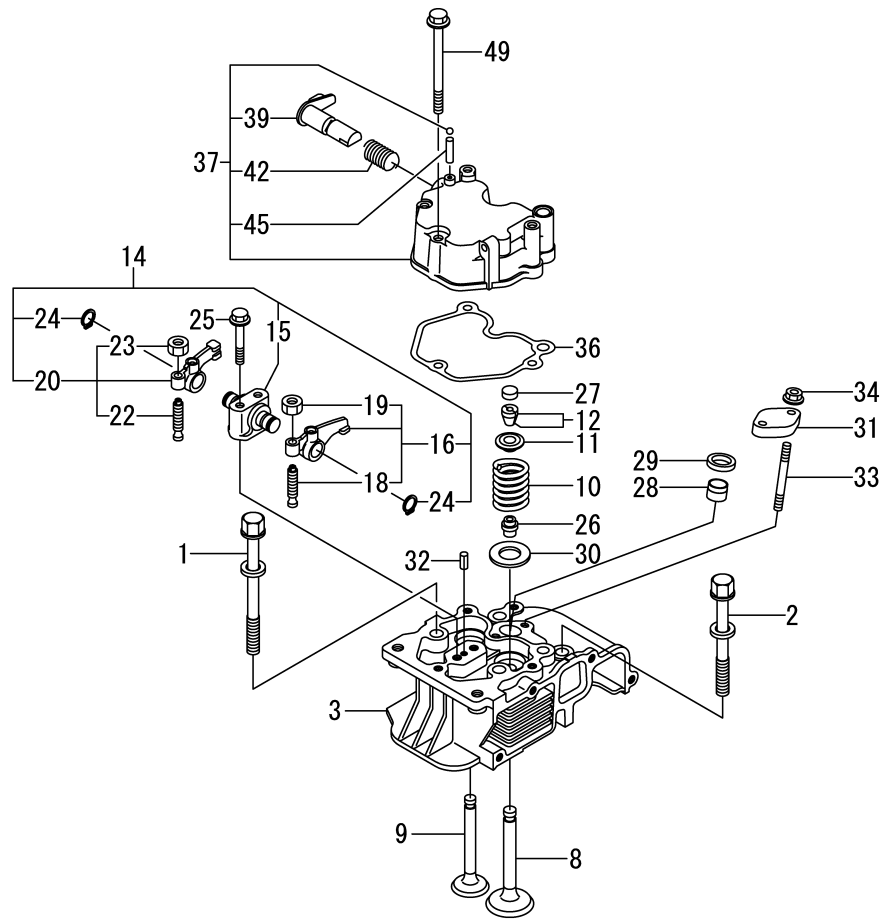


Fig.4. CYLINDER HEAD & BONNET



(A)=L100V6-GEHYS

(B)=

(C)=

(D)=

(E)=

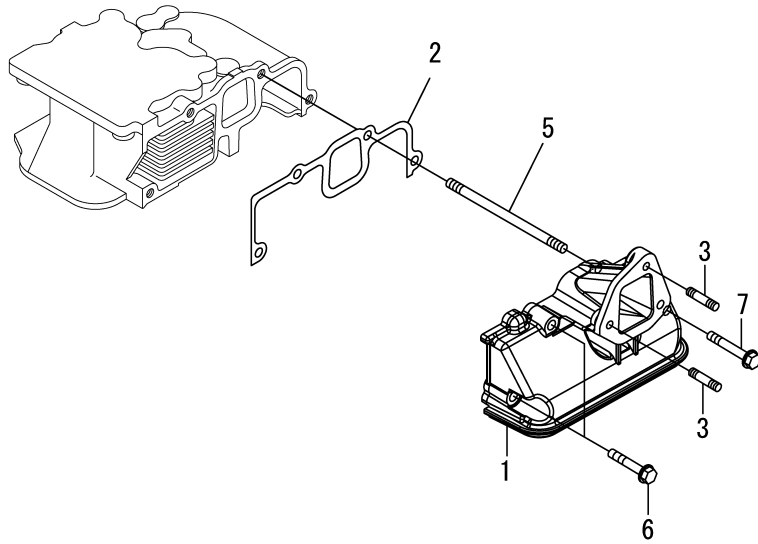
(F)=

No.	Lev.	Parts No.	Description	Q'ty						I	R
				(A)	(B)	(C)	(D)	(E)	(F)		
1	1	114310-01200	BOLT, CYL.HEAD A	2							
2	1	114310-01210	BOLT, CYL.HEAD B	2							
3	1	114310-11050	HEAD ASSY, CYLINDER	1							
8	1	11431C-11100	VALVE, INTAKE	1							
9	1	11431C-11110	VALVE, EXHAUST	1							
10	1	114310-11120	SPRING, VALVE	2							
11	1	114310-11180	RETAINER, SPRING	2							
12	1	114310-11930	COTTER ASSY	2							
14	1	11431C-11250	SUPPORT ASSY, ARM	1							
15	2	11431C-11260	SUPPORT, ROCKER ARM	1							
16	2	11431C-11650	ARM, ROCKER	1							
18	3	114250-11240	SCREW, VALVE ADJUST	1							
19	3	26856-060002	NUT, M6	1							
20	2	11431C-11660	ARM, ROCKER	1							
22	3	114250-11240	SCREW, VALVE ADJUST	1							
23	3	26856-060002	NUT, M6	1							
24	2	22242-000150	RING, 15	2							
25	1	114310-11290	BOLT, SUPPORT	2							
26	1	114650-11341	SEAL, VALVE STEM	2							
27	1	104211-11370	CAP, VALVE	2							
28	1	114240-11450	PROTECTOR, NOZZLE	1							
29	1	114240-11550	SEAT, NOZZLE	1							
30	1	114699-11600	WASHER	2							
31	1	114210-11901	RETAINER, NOZZLE	1							
32	1	22351-040008	PIN, SPRING 4.0X 8	1							
33	1	26226-060552	STUD, M6X 55	2							
34	1	26366-060002	NUT, M6	2							
36	1	114310-11310	GASKET, BONNET	1							
37	1	114310-11950	BONNET ASSY, HEAD	1							
39	2	114210-03590	DECOMPRESSION ASSY	1							
42	2	114299-03640	SPRING,DECOMPRESSION	1							
45	2	22312-030160	PIN, PARALLEL M3X16	1							
49	1	26106-060652	BOLT, M6X 65 PLATED	3							

Fig.5. SUCTION MANIFOLD

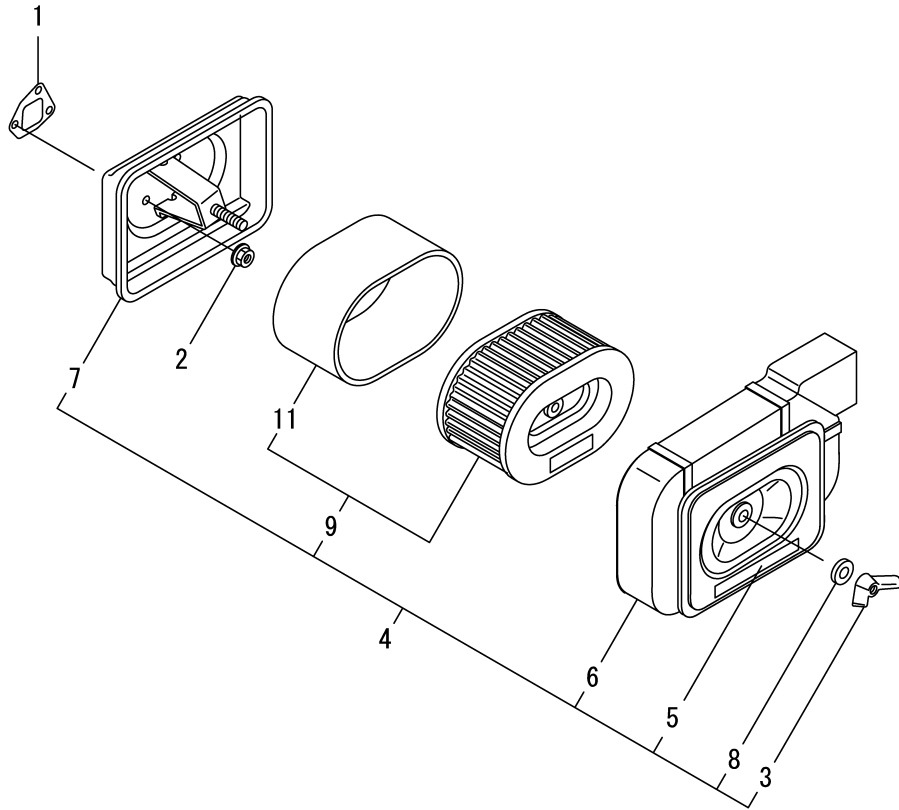
(A)=L100V6-GEHYS
(B)=
(C)=

(D)=
(E)=
(F)=



No.	Lev.	Parts No.	Description	Q'ty						I	R
				(A)	(B)	(C)	(D)	(E)	(F)		
1	1	114310-12050	MANIFOLD, INTAKE	1							
2	1	114310-12210	GASKET, AIR CLEANER	1							
3	1	26226-060162	STUD, M6X 16	2							
5	1	114310-45360	STUD BOLT, TOP COVER	1							
6	1	26106-060352	BOLT, M6X 35 PLATED	2							
7	1	26106-060402	BOLT, M6X 40 PLATED	1							

Fig.6. AIR CLEANER

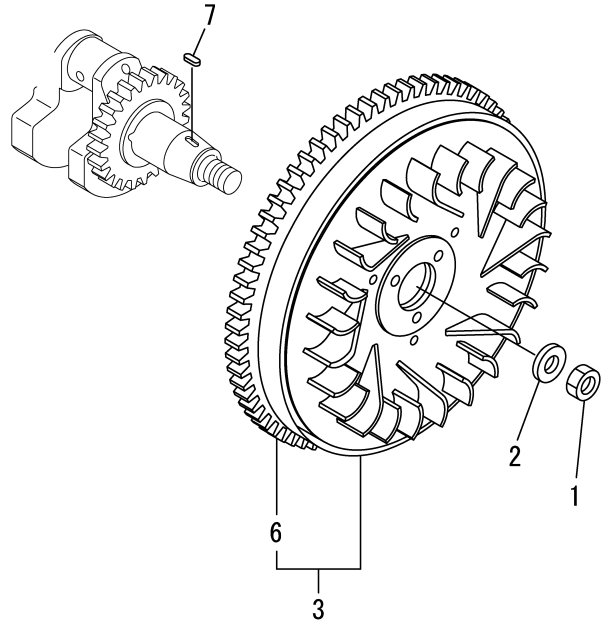


(A)=L100V6-GEHYS
(B)=
(C)=

(D)=
(E)=
(F)=

No.	Lev.	Parts No.	Description	Q'ty						I	R
				(A)	(B)	(C)	(D)	(E)	(F)		
1	1	114699-12210	GASKET, AIR CLEANER	1							
2	1	114299-12300	NUT	3							
3	1	114252-12550	NUT, WING M8	1							
4	1	114340-12560	CLEANER ASSY, AIR	1							
5	2	114650-07450	LABEL, AIR CLEANER	1							
6	2	114987-12520	COVER ASSY, CLEANER	1							
7	2	114980-12530	CASE ASSY, CLEANER	1							
8	2	114252-12560	WASHER, SEAL M8	1							
9	2	114650-12590	ELEMENT ASSY	1							
11	3	114650-12550	FILTER, PRE	1							

Fig.10. FLYWHEEL



(A)=L100V6-GEHYS
(B)=
(C)=

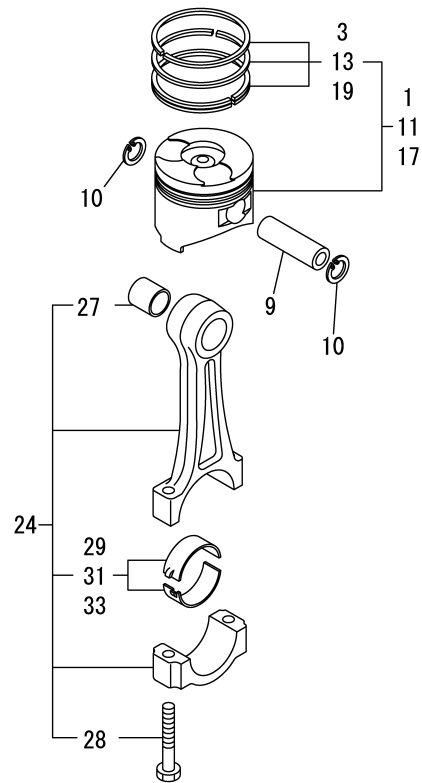
(D)=
(E)=
(F)=

No.	Lev.	Parts No.	Description	Q'ty						I	R
				(A)	(B)	(C)	(D)	(E)	(F)		
1	1	114699-21220	NUT	1							
2	1	114699-21550	WASHER	1							
3	1	114699-21600	FLYWHEEL ASSY, DE	1							
6	2	114699-21630	RING, GEAR	1							
7	1	22512-050140	KEY, 5X 14	1							

Fig.11. PISTON & CONNECTING ROD

(A)=L100V6-GEHYS
(B)=
(C)=

(D)=
(E)=
(F)=

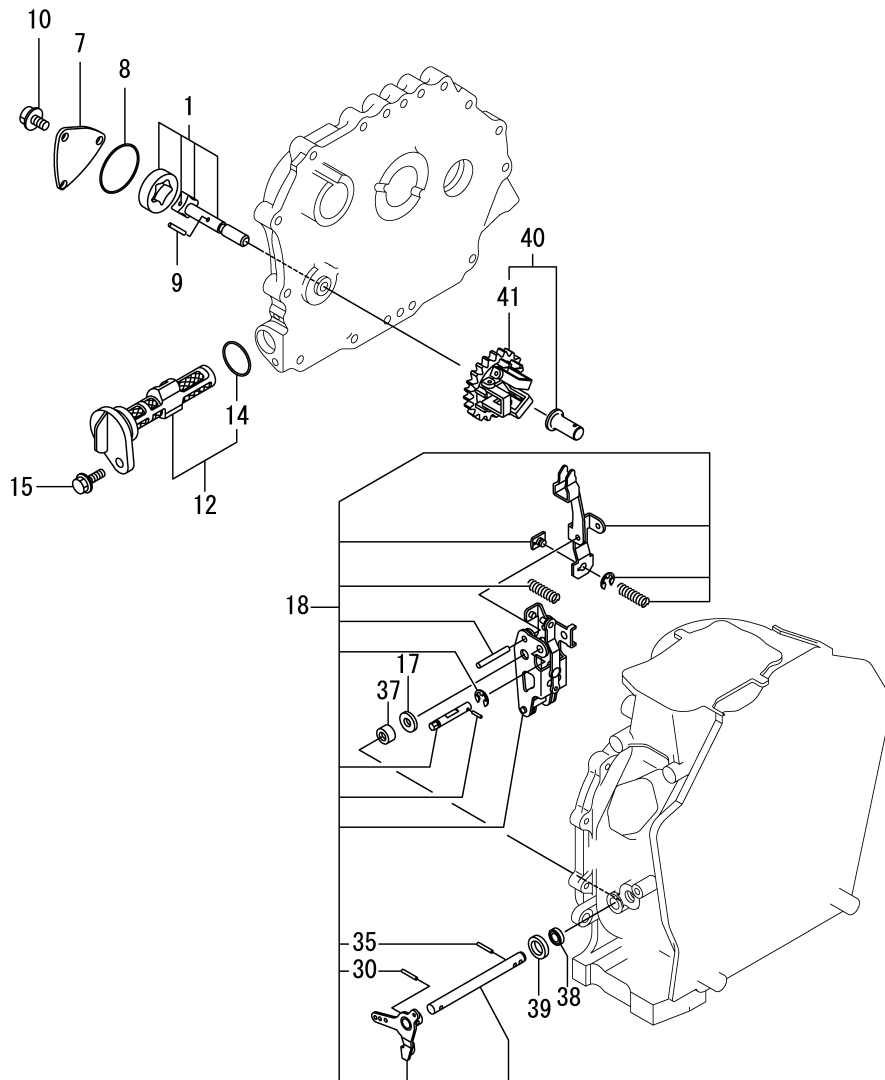


No.	Lev.	Parts No.	Description	Q'ty						I	R
				(A)	(B)	(C)	(D)	(E)	(F)		
1	1	714320-22720	PISTON W/RINGS (D)	1							
3	2	714310-22500	RING SET, PISTON	1							
9	1	114699-22300	PIN, PISTON D=23	1							
10	1	114310-22500	SEEGER RING, J23	2							
11	1	714320-22620	PISTON W/RING .25OS	1							1
13	2	714310-22540	RING SET O.S.=0.25	1							1
17	1	714320-22580	PISTON W/RING .50OS	1							2
19	2	714310-22550	RING SET O.S.=0.50	1							2
24	1	71431C-23010	ROD ASSY, CONNECTING	1							
27	3	124060-23100	BEARING, PISTON PIN	1							
28	3	114310-23200	BOLT, CONNECTING ROD	2							
29	2	714650-23600	BEARING, CRANK PIN	1							
31	1	714650-23610	BEARING ASSY, 0.25	1							3
33	1	714650-23620	BEARING, 0.50 US	1							4

Remarks

- (1)Over-sized(O.S.=0.25) parts.
- (2)Over-sized(O.S.=0.50) parts.
- (3)Under-sized(U.S.=0.25) parts.
- (4)Under-sized(U.S.=0.50) parts.

Fig.13. LUB. OIL PUMP & GOVERNOR



(A)=L100V6-GEHYS
(B)=
(C)=

(D)=
(E)=
(F)=

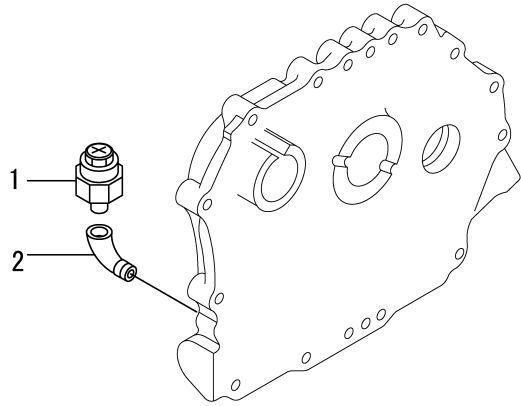
No.	Lev.	Parts No.	Description	Q'ty						I	R
				(A)	(B)	(C)	(D)	(E)	(F)		
1	1	114650-32010	PUMP ASSY, OIL	1							
7	1	114299-32070	COVER	1							
8	1	114299-32570	O-RING	1							
9	1	22312-030160	PIN, PARALLEL M3X16	1							
10	1	26106-060122	BOLT, M6X 12 PLATED	3							
12	1	114299-35110	FILTER ASSY, OIL	1							
14	2	24341-000224	O-RING, 1AS22.4	1							
15	1	26106-060162	BOLT, M6X 16 PLATED	1							
17	1	114299-61190	WASHER	1							
18	1	114310-61500	LEVER ASSY, GOVERNOR	1							1
30	2	22322-030200	PIN, TAPER 3X20	1							
35	2	22322-030200	PIN, TAPER 3X20	1							
37	1	114770-61520	BEARING, NEEDLE	2							
38	1	114299-61600	SEAL, OIL	1							
39	1	114770-61610	WASHER, THRUST	1							
40	1	714210-61701	GOVERNOR ASSY	1							
41	2	114210-61290	WEIGHT ASSY,GOVERNOR	1							

Remarks

(1)On a guarantee of quality component parts shall not be sold.

N:Old $\xrightarrow{\text{Yes}}$ New, Q:Old $\xrightarrow{\text{No}}$ New, R:Old $\xrightarrow{\text{Yes}}$ New, S:Old $\xrightarrow{\text{No}}$ New, W:Add, Z:Discontinued, F:Interchangeable by set, K:Q'ty Change

Fig.14. HYD. OIL SWITCH

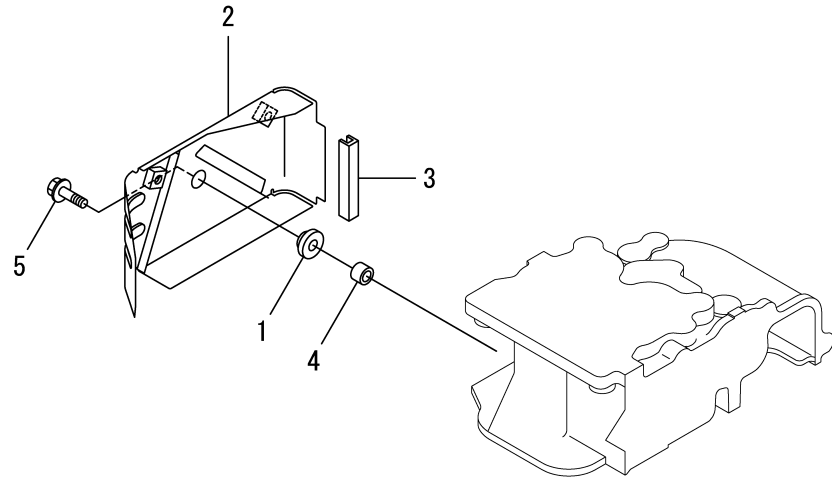


(A)=L100V6-GEHYS
(B)=
(C)=

(D)=
(E)=
(F)=

No.	Lev.	Parts No.	Description	Q'ty						I	R
				(A)	(B)	(C)	(D)	(E)	(F)		
1	1	183250-39450	SWITCH, 1.0KG	1							
2	1	23112-010007	ELBOW, R1/8	1							

Fig.15. COVER

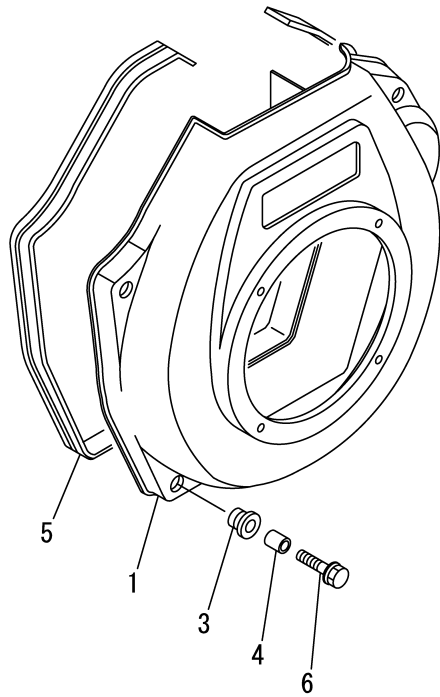


(A)=L100V6-GEHYS
(B)=
(C)=

(D)=
(E)=
(F)=

No.	Lev.	Parts No.	Description	Q'ty						I	R
				(A)	(B)	(C)	(D)	(E)	(F)		
1	1	114299-45220	GROMMET	1							
2	1	114310-45260	COVER B, SIDE	1							
3	1	114399-45320	RUBBER, SEAL	1							
4	1	114399-45340	COLLAR	1							
5	1	26106-060202	BOLT, M6X 20 PLATED	1							

Fig.16. COOLING FAN CASE

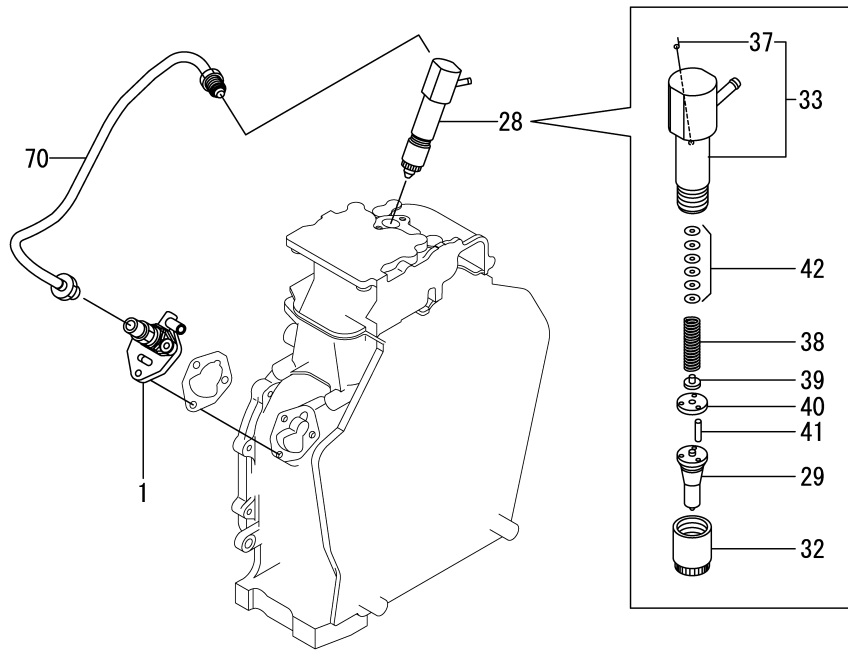


(A)=L100V6-GEHYS
(B)=
(C)=

(D)=
(E)=
(F)=

No.	Lev.	Parts No.	Description	Q'ty						I	R
				(A)	(B)	(C)	(D)	(E)	(F)		
1	1	114310-45150	CASE, COOLING FAN	1							
3	1	114299-45301	RUBBER, CUSHION	4							
4	1	114299-45310	COLLAR	4							
5	1	114699-45331	SEAL, FAN CASE	1							
6	1	114299-45350	BOLT, FAN CASE	4							

Fig.17. FUEL INJECTION PUMP & FUEL INJECTION VALVE



(A)=L100V6-GEHYS
(B)=
(C)=

(D)=
(E)=
(F)=

No.	Lev.	Parts No.	Description	Q'ty						I	R
				(A)	(B)	(C)	(D)	(E)	(F)		
1	1	714349-51420	PUMP ASSY, INJECTION	1							1
28	1	714349-53100	VALVE ASSY,INJECTION	1							
29	2	114349-53000	NOZZLE ASSY	1							
32	2	114250-53080	NUT, NOZZLE D16.95	1							
33	2	114339-53100	HOLDER ASSY, NOZZLE	1							
37	3	22351-025005	PIN, SPRING 2.5X 6	1							
38	2	114250-53120	SPRING, NOZZLE	1							
39	2	114250-53130	SEAT, SPRING	1							
40	2	114250-53140	PLATE	1							
41	2	114250-53210	PIN	2							
42	2	119803-53400	SHIM SET	1							
70	1	114310-59810	PIPE, FUEL INJECTION	1							

Remarks

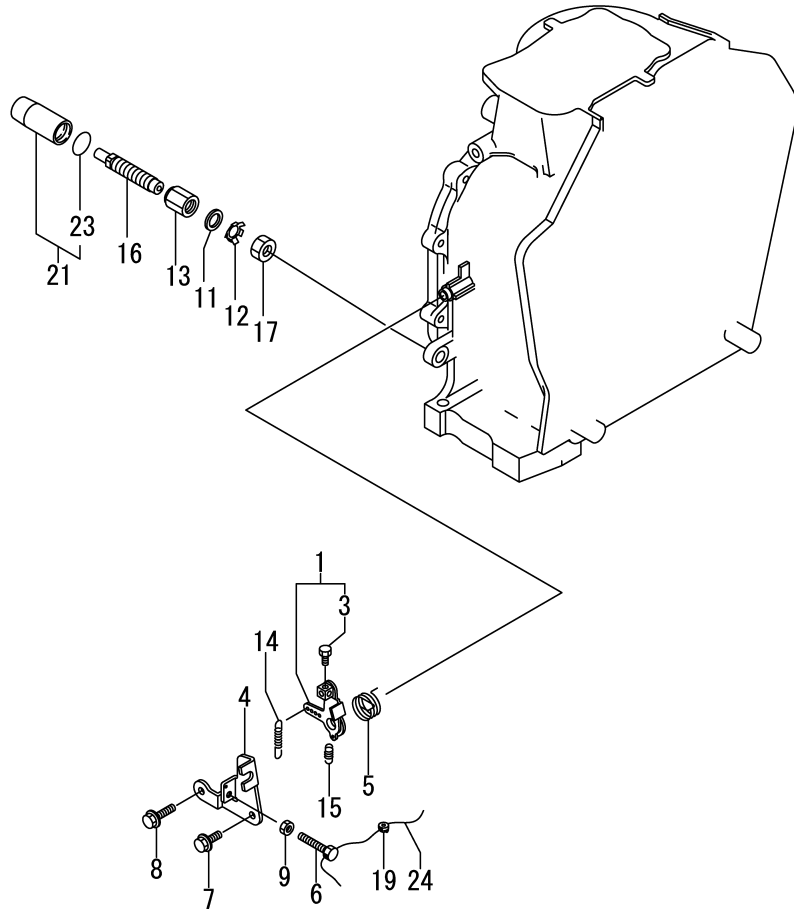
(1)On a guarantee of quality component parts shall not be sold.

N:Old $\xrightarrow{\text{Yes}}$ New, Q:Old $\xrightarrow{\text{No}}$ New, R:Old $\xrightarrow{\text{Yes}}$ New, S:Old $\xrightarrow{\text{No}}$ New, W:Add, Z:Discontinued, F:Interchangeable by set, K:Q'ty Change

Fig.18. CONTROL EQUIPMENT

(A)=L100V6-GEHYS
(B)=
(C)=

(D)=
(E)=
(F)=

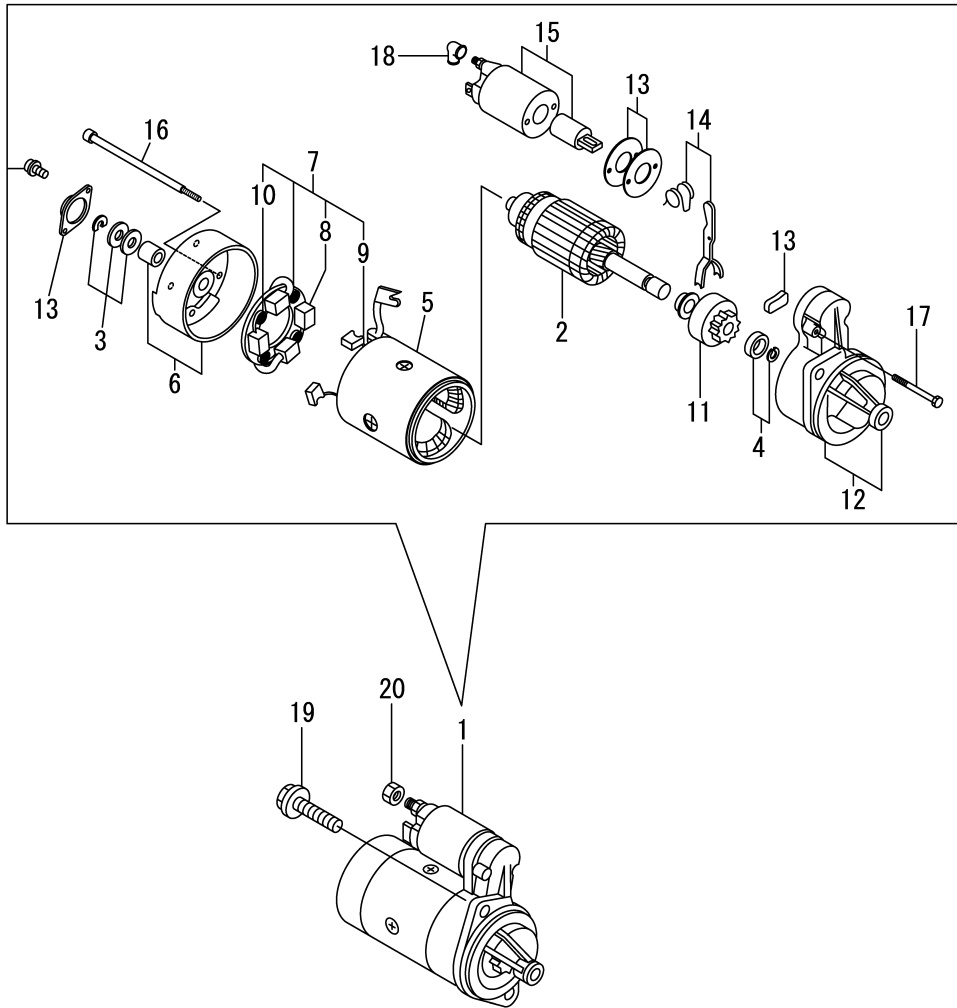


No.	Lev.	Parts No.	Description	Q'ty						I	R
				(A)	(B)	(C)	(D)	(E)	(F)		
1	1	114252-66053	HANDLE, REGULATOR	1							
3	2	105225-66990	SCREW, M5X8.5	1							
4	1	114349-66110	BRACKET, REGULATOR	1							
5	1	114299-66250	SPRING, RETURN	1							
6	1	114299-66440	BOLT, ADJUSTING	1							
7	1	26106-060142	BOLT, M6X 14 PLATED	1							
8	1	26106-060202	BOLT, M6X 20 PLATED	1							
9	1	26857-060002	NUT, M6	1							
11	1	114295-61810	WASHER, PLAIN 14	1							
12	1	114771-61830	PLATE	1							
13	1	114295-61940	NUT	1							
14	1	114310-66010	SPRING, REGULATOR	1							
15	1	114299-66201	SPRING, RETURN	1							
16	1	114771-66600	LIMITER ASSY, FUEL	1							
17	1	114295-66690	NUT, M14X1.25	1							
19	1	114780-61090	TIN	1							
21	1	114295-61980	PROTECTOR ASSY	1							
23	2	24311-000180	O-RING, 1AP18.0	1							
24	1	22451-060000	WIRE, 0.6	1							

Fig.19. STARTER MOTOR

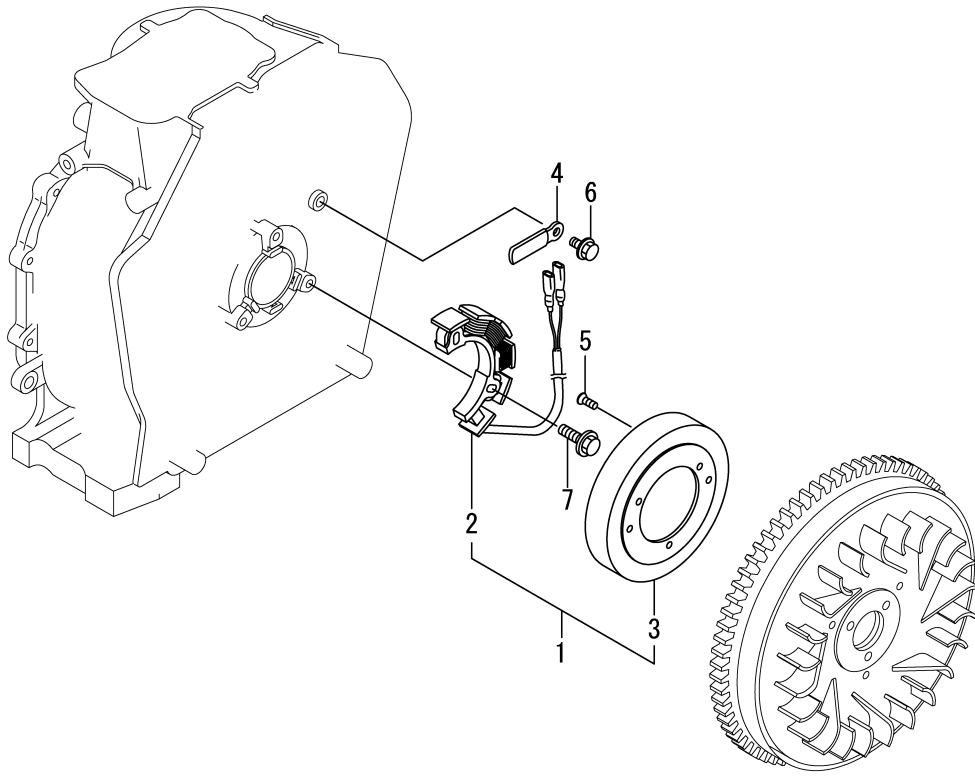
(A)=L100V6-GEHYS
(B)=
(C)=

(D)=
(E)=
(F)=



No.	Lev.	Parts No.	Description	Q'ty						I	R
				(A)	(B)	(C)	(D)	(E)	(F)		
1	1	114362-77011	STARTER	1							
2	2	114381-77110	ARMATURE	1							
3	2	X2114811000	WASHER KIT, THRUST	1							
4	2	X2114715500	STOPPER SET	1							
5	2	114381-77130	COIL ASSY, FIELD	1							
6	2	114381-77140	COVER	1							
7	2	114371-77160	HOLDER ASSY, BRUSH	1							
8	3	114371-79040	BRUSH	2							
9	3	114371-79050	BRUSH	1							
10	3	114371-79060	SPRING	4							
11	2	X211485016	PINION ASSY	1							
12	2	114381-77151	CASE ASSY	1							
13	2	114371-77170	COVER ASSY, DUST	1							
14	2	114371-77180	LEVER KIT, SHIFT	1							
15	2	124298-77020	SWITCH, MAGNETIC	1							
16	2	124195-77770	BOLT, THROUGH	2							
17	2	114371-79070	BOLT	2							
18	2	X2114274200	COVER	1							
19	1	26106-100302	BOLT, M10X 30 PLATED	2							
20	1	26716-080002	NUT, M8	1							

Fig.20. DYNAMO

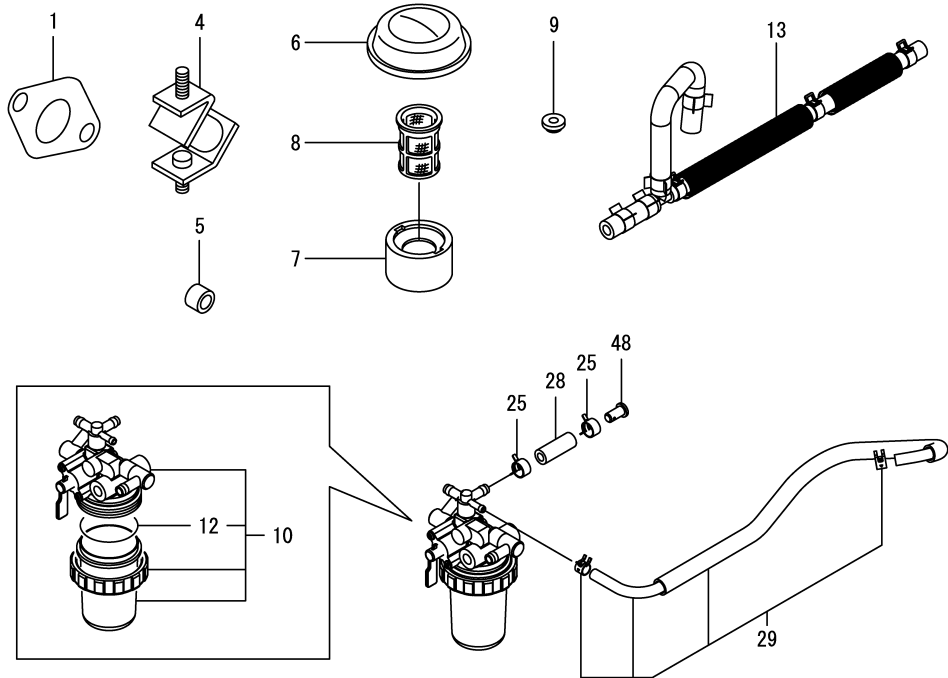


(A)=L100V6-GEHYS
(B)=
(C)=

(D)=
(E)=
(F)=

No.	Lev.	Parts No.	Description	Q'ty						I	R
				(A)	(B)	(C)	(D)	(E)	(F)		
1	1	114351-78261	DYNAMO ASSY	1							
2	2	114351-78771	STATOR ASSY	1							
3	2	114351-78781	WHEEL, DYNAMO	1							
4	1	160710-78710	CLAMP, CORD	1							
5	1	114210-78800	SCREW,COUNTERSUNK M6	3							
6	1	26106-060122	BOLT, M6X 12 PLATED	1							
7	1	26106-060202	BOLT, M6X 20 PLATED	3							

Fig.21. ACCESSORY



(A)=L100V6-GEHYS
(B)=
(C)=

(D)=
(E)=
(F)=

No.	Lev.	Parts No.	Description	Q'ty						I	R
				(A)	(B)	(C)	(D)	(E)	(F)		
1	1	114310-13200	GASKET, MUFFLER	2							
4	1	183279-08210	DAMPER	4							
5	1	114350-45340	COLLAR	4							
6	1	105015-55040	CAP, FUEL TANK	1							
7	1	183063-55090	CAPSULE	1							
8	1	160710-55100	FILTER, FUEL	1							
9	1	183720-55210	GROMMET	4							
10	1	183376-55600	FILTER ASSY,FUEL OIL	1							
12	2	102103-55520	O-RING	1							
13	1	183063-59040	FO PIPE B ASSY	1							
25	1	124766-59050	CLIP, HOSE 11.5	2							
26	1	114920-59060	PIPE, FUEL OIL	1							
27	1	122780-59100	RETAINER	2							
28	1	183376-59101	FO PIPE E	1							
29	1	183376-59250	PIPE ASSY, FUEL	1							
33	1	183063-59360	FO PIPE D ASSY	1							
37	1	119643-66900	DIODE	2							
38	1	119247-77100	RELAY, SAFETY	2							
39	1	121575-77900	MOTOR, STOP	1							
45	1	183256-78300	REGULATOR	1							
46	1	183256-78310	RELAY	1							
47	1	183993-91850	CONTROLLER	1							
48	1	22487-080120	PIN, H 8X 12	1							
49	1	23080-013000	CLAMP, 13	2							

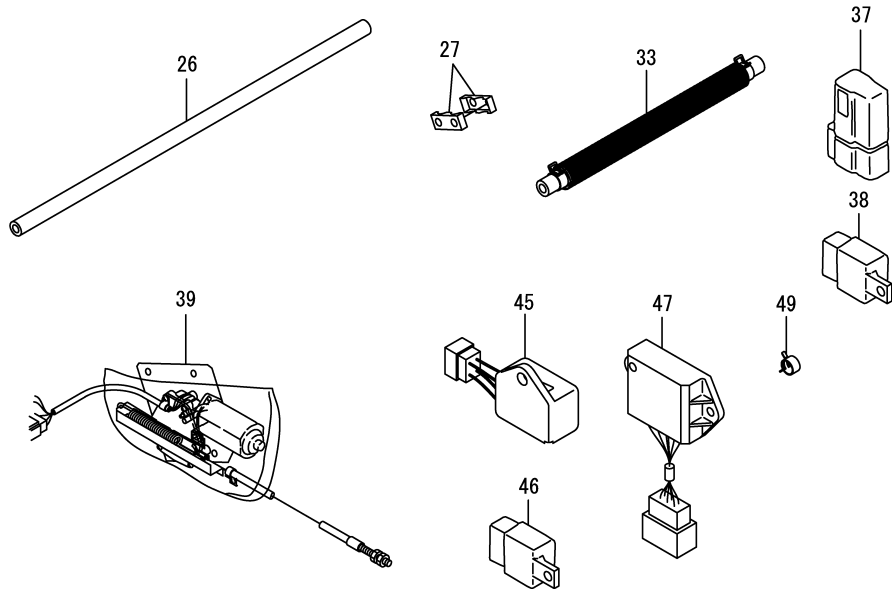
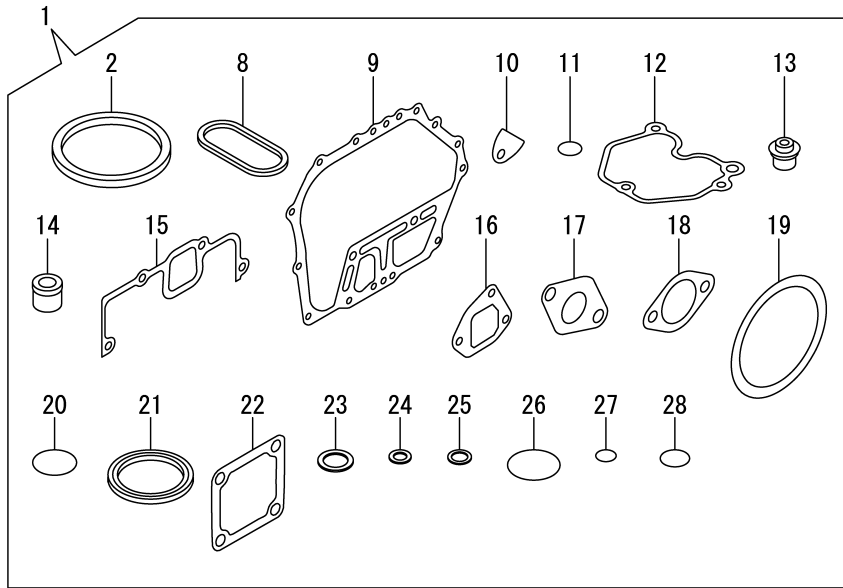


Fig.22. GASKET SET

(A)=L100V6-GEHYS
(B)=
(C)=

(D)=
(E)=
(F)=



No.	Lev.	Parts No.	Description	Q'ty						I	R
				(A)	(B)	(C)	(D)	(E)	(F)		
1	1	114320-92600	GASKET SET	1							1
2	2	114695-01331	GASKET, HEAD	1							
8	2	114699-01380	O-RING	1							
9	2	114699-01410	GASKET, CRANK CASE	1							
10	2	114250-01841	GASKET	1							
11	2	114299-01950	O-RING, 18	2							
12	2	114310-11310	GASKET, BONNET	1							
13	2	114650-11341	SEAL, VALVE STEM	2							
14	2	114771-11461	GASKET, NOZZLE	1							
15	2	114310-12210	GASKET, AIR CLEANER	1							
16	2	114699-12210	GASKET, AIR CLEANER	2							
17	2	114310-13200	GASKET, MUFFLER	1							
18	2	183671-13211	GASKET, PIPE	1							
19	2	114399-21980	GASKET	1							
20	2	114299-32570	O-RING	1							
21	2	160393-55050	GASKET	4							
22	2	129100-77510	GASKET	3							
23	2	22190-160002	WASHER, SEAL 16	2							
24	2	23414-080000	GASKET, 8X1.0	1							
25	2	23414-120000	GASKET, 12X1.0	1							
26	2	24311-000400	O-RING, 1AP40.0	1							
27	2	24341-000150	O-RING, 1AS15.0	2							
28	2	24341-000224	O-RING, 1AS22.4	1							

Remarks

(1)Optional parts.

Parts No. Index

Parts No.	Fig. No.	Ref. No.
102103-55520	21	12
104211-11370	4	27
105015-55040	21	6
105225-66990	18	3
114210-03590	4	39
114210-11901	4	31
114210-14300	8	7
114210-61290	13	41
114210-78800	20	5
114240-11450	4	28
114240-11550	4	29
114250-01841	1	25
	22	10
114250-11240	4	18
		22
114250-53080	17	32
114250-53120	17	38
114250-53130	17	39
114250-53140	17	40
114250-53210	17	41
114252-12550	6	3
114252-12560	6	8
114252-66053	18	1
114295-61810	18	11
114295-61940	18	13
114295-61980	18	21
114295-66690	18	17
114299-01600	1	12
114299-01690	2	1
114299-01800	1	13
114299-01830	1	24
114299-01950	2	4
	22	11
114299-02030	1	43
114299-03640	4	42
114299-07111	3	2
114299-12300	6	2
114299-32070	13	7
114299-32570	13	8
	22	20
114299-35110	13	12
114299-35150	1	38
114299-45220	15	1
114299-45301	16	3
114299-45310	16	4
114299-45350	16	6
114299-61190	13	17
114299-61600	13	38
114299-66201	18	15
114299-66250	18	5

Parts No.	Fig. No.	Ref. No.
114299-66440	18	6
114310-01010	1	1
114310-01200	4	1
114310-01210	4	2
114310-01450	1	33
114310-11050	4	3
114310-11120	4	10
114310-11180	4	11
114310-11290	4	25
114310-11310	4	36
	22	12
114310-11930	4	12
114310-11950	4	37
114310-12050	5	1
114310-12210	5	2
	22	15
114310-13200	7	1
	21	1
	22	17
114310-14200	8	6
114310-14400	8	12
114310-22500	11	10
114310-23200	11	28
114310-45150	16	1
114310-45260	15	2
114310-45360	5	5
114310-59810	17	70
114310-61500	13	18
114310-66010	18	14
11431C-11100	4	8
11431C-11110	4	9
11431C-11250	4	14
11431C-11260	4	15
11431C-11650	4	16
11431C-11660	4	20
11431C-21840	9	1
114320-92600	22	1
114339-53100	17	33
114340-12560	6	4
114349-53000	17	29
114349-66110	18	4
114350-45340	21	5
114351-78261	20	1
114351-78771	20	2
114351-78781	20	3
114362-77011	19	1
114371-77160	19	7
114371-77170	19	13
114371-77180	19	14
114371-79040	19	8

Parts No.	Fig. No.	Ref. No.
114371-79050	19	9
114371-79060	19	10
114371-79070	19	17
114381-77110	19	2
114381-77130	19	5
114381-77140	19	6
114381-77151	19	12
114399-21980	22	19
114399-45320	15	3
114399-45340	15	4
114650-02100	1	36
114650-02150	1	44
114650-02200	1	40
114650-02210	1	41
114650-07450	6	5
114650-11341	4	26
	22	13
114650-12550	6	11
114650-12590	6	9
114650-32010	13	1
114695-01331	1	5
	22	2
114699-01380	1	11
	22	8
114699-01410	1	32
	22	9
114699-01760	2	2
114699-11600	4	30
114699-12210	6	1
	22	16
114699-21220	10	1
114699-21550	10	2
114699-21600	10	3
114699-21630	10	6
114699-22300	11	9
114699-45331	16	5
114770-61520	13	37
114770-61610	13	39
114771-11461	22	14
114771-61830	18	12
114771-66600	18	16
114780-61090	18	19
114920-59060	21	26
114980-12530	6	7
114987-12520	6	6
119247-77100	21	38
119643-66900	21	37
119803-53400	17	42
121575-77900	21	39
122780-59100	21	27

Parts No.	Fig. No.	Ref. No.
124060-23100	11	27
124195-77770	19	16
124298-77020	19	15
124766-59050	21	25
129100-77510	22	22
160110-01870	2	5
160393-55050	22	21
160710-55100	21	8
160710-78710	20	4
183063-55090	21	7
183063-59040	21	13
183063-59360	21	33
183250-39450	14	1
183256-78300	21	45
183256-78310	21	46
183279-08210	21	4
183279-08350	2	6
183376-55600	21	10
183376-59101	21	28
183376-59250	21	29
183650-13300	7	6
183671-13211	22	18
183720-55210	21	9
183993-91850	21	47
22190-160002	2	7
		8
	22	23
22242-000150	4	24
22312-030160	4	45
	13	9
22312-040080	1	26
22322-030200	13	30
		35
22351-025005	17	37
22351-040008	4	32
22451-060000	18	24
22487-080120	21	48
22512-050140	10	7
23080-013000	21	49
23112-010007	14	2
23414-080000	22	24
23414-120000	22	25
23875-020000	1	27
24101-063040	12	6
24162-152220	1	45
24311-000180	18	23
24311-000400	22	26
24341-000150	22	27
24341-000224	13	14
	22	28

Parts No. Index

Parts No.	Fig. No.	Ref. No.
24423-355008	1	46
		47
26106-060122	13	10
	20	6
26106-060142	18	7
26106-060162	13	15
26106-060202	15	5
	18	8
	20	7
26106-060352	5	6
26106-060402	5	7
26106-060652	4	49
26106-080122	1	48
26106-080352	1	39
26106-100302	19	19
26216-080182	7	3
26226-060162	5	3
26226-060182	1	28
26226-060222	1	29
26226-060552	4	33
26306-080002	7	4
26366-060002	1	30
	4	34
26716-080002	19	20
26856-060002	4	19
		23
26857-060002	18	9
714210-61701	13	40
714310-22500	11	3
714310-22540	11	13
714310-22550	11	19
714310-28510	12	1
71431C-23010	11	24
714320-14580	8	1
714320-22580	11	17
714320-22620	11	11
714320-22720	11	1
714349-51420	17	1
714349-53100	17	28
714650-23600	11	29
714650-23610	11	31
714650-23620	11	33
X2114274200	19	18
X2114715500	19	4
X2114811000	19	3
X211485016	19	11

Parts No.	Fig. No.	Ref. No.
-----------	----------	----------

Parts No.	Fig. No.	Ref. No.
-----------	----------	----------

Parts No.	Fig. No.	Ref. No.
-----------	----------	----------