

0CC50-M00150EN

P R E F A C E

This parts catalog is the 1st edition of L48N6AF3R4JACD for WACKER INDIA.

Published : April, 2014

Contents

Fig. No. Fig. Name

Fig. No. Fig. Name

ENGINE

1. CYLINDER BLOCK
2. DRAIN PLUG
3. LABEL
4. CYLINDER HEAD & BONNET
5. INTAKE MANIHOLD
6. AIR CLEANER
7. EXHAUST MUFFLER
8. CAMSHAFT
9. CRANKSHAFT
10. FLYWHEEL
11. PISTON & CONNECTING ROD
12. BALANCER SHAFT
13. LUB. OIL PUMP & GOVERNOR
14. OIL PRESSURE SWITCH CAP
15. COVER
16. COOLING FAN CASE
17. FUEL INJECTION PUMP & FUEL INJECTION VALVE
18. FUEL TANK & FUEL PIPE
19. SPEED CONTROL DEVICE
20. RECOIL STARTER
21. TOOL & GASKET SET

Fig.1. CYLINDER BLOCK

(A)=L48N6AF3R4JACD

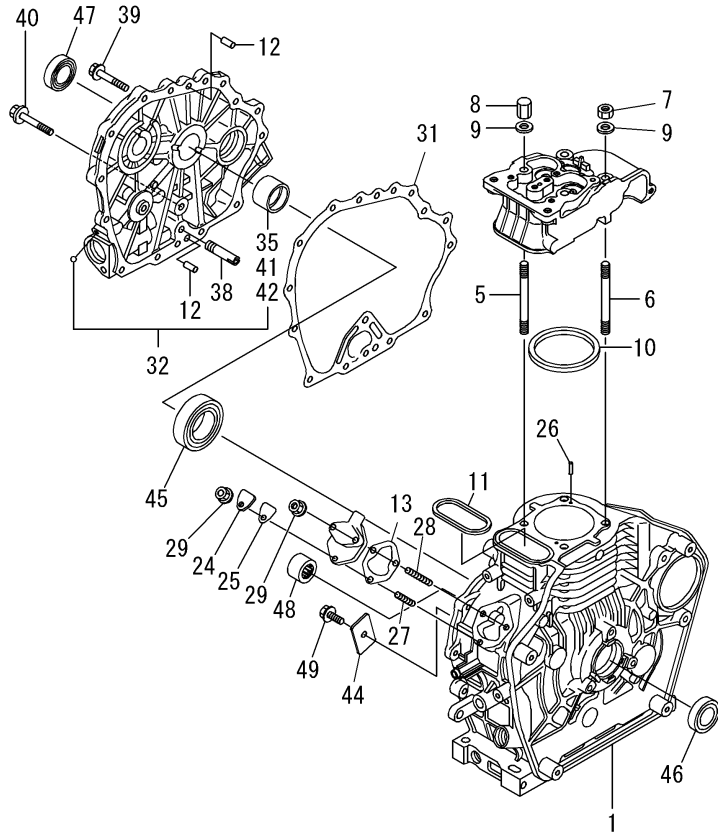
(B)=

(C)=

(D)=

(E)=

(F)=

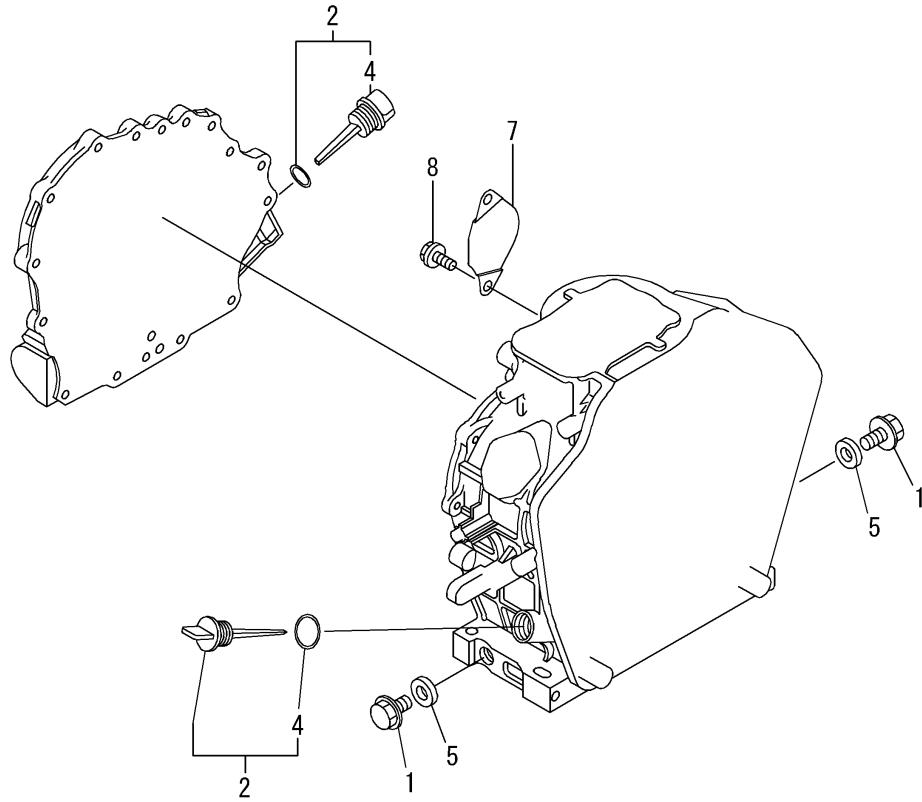


No.	Lev.	Parts No.	Description	Q'ty						I	R
				(A)	(B)	(C)	(D)	(E)	(F)		
1	1	114110-01020	BLOCK ASSY, CYLINDER	1							
5	1	114299-01200	BOLT, HEAD	2							
6	1	114299-01210	BOLT, HEAD	2							
7	1	114299-01220	NUT, CYLINDER HEAD A	2							
8	1	114299-01230	NUT, CYLINDER HEAD B	2							
9	1	124950-01250	WASHER	4							
10	1	114295-01340	GASKET, HEAD 0.5	1							
11	1	114299-01380	O-RING	1							
12	1	114299-01600	PIN, 8X12	2							
13	1	114299-01800	SHIM SET	1							
24	1	114299-01830	COVER	1							
25	1	114250-01841	GASKET	1							
26	1	22312-040080	PIN, PARALLEL M4X 8	2							
27	1	26226-060182	STUD, M6X 18	1							
28	1	26226-060222	STUD, M6X 22	2							
29	1	26366-060002	NUT, M6	3							
31	1	114299-01410	GASKET, CRANK CASE	1							
32	1	114299-01450	COVER (D),CRANK CASE	1							
35	2	114250-02100	BEARING, MAIN	1							1
38	1	114299-35150	PIPE, OIL INLET	1							
39	1	26106-060252	BOLT, M6X 25 PLATED	14							
40	1	26106-080352	BOLT, M8X 35 PLATED	1							
41	1	114250-02200	BEARING, 0.25 US	1							2
42	1	114250-02210	BEARING, 0.50 US	1							3
44	1	114299-02030	RETAINER, BEARING	1							
45	1	114250-02113	BEARING, HR6306G3C3	1							
46	1	114299-02220	SEAL, OIL	1							
47	1	160210-02220	SEAL, 25X41.2X8	1							
48	1	24162-152112	BEARING, 152112	1							
49	1	26106-080122	BOLT, M8X 12 PLATED	1							

Remarks

- (1) Spare parts.
- (2) Under sized(U.S.=0.25)parts.
- (3) Under sized(U.S.=0.50)parts.

Fig.2. DRAIN PLUG



(A)=L48N6AF3R4JACD
(B)=
(C)=

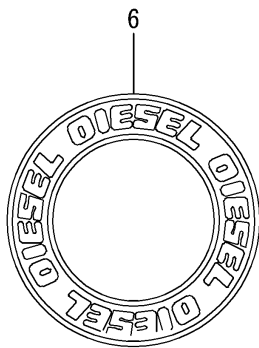
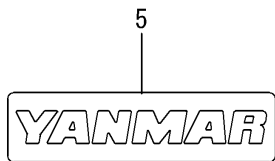
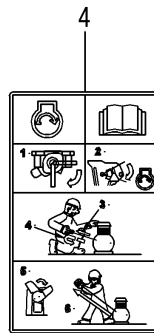
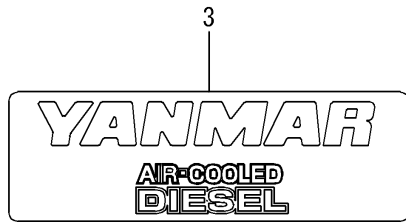
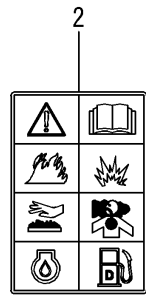
(D)=
(E)=
(F)=

No.	Lev.	Parts No.	Description	Q'ty						I	R
				(A)	(B)	(C)	(D)	(E)	(F)		
1	1	114299-01690	PLUG M16	2							
2	1	114299-01760	CAP ASSY	2							
4	2	114299-01950	O-RING, 18	2							
5	1	22190-160002	WASHER, SEAL 16	2							
7	1	114399-01700	COVER, STARTER	1							
8	1	26106-100122	BOLT, M10X 12 PLATED	2							

Fig.3. LABEL

(A)=L48N6AF3R4JACD
 (B)=
 (C)=

(D)=
 (E)=
 (F)=



No.	Lev.	Parts No.	Description	Q'ty						I	R
				(A)	(B)	(C)	(D)	(E)	(F)		
2	1	114220-07100	LABEL, CAUTION	1							
3	1	114299-07101	LABEL, YANMAR MARK A	1							
4	1	114220-07110	LABEL HOW TO START-E	1							
5	1	114299-07111	LABEL, YANMAR MARK B	1							
6	1	114299-07160	LABEL, DIESEL	1							
11	1	114220-07130	LABEL, HOT SURFACE	1							

Fig.4. CYLINDER HEAD & BONNET

(A)=L48N6AF3R4JACD

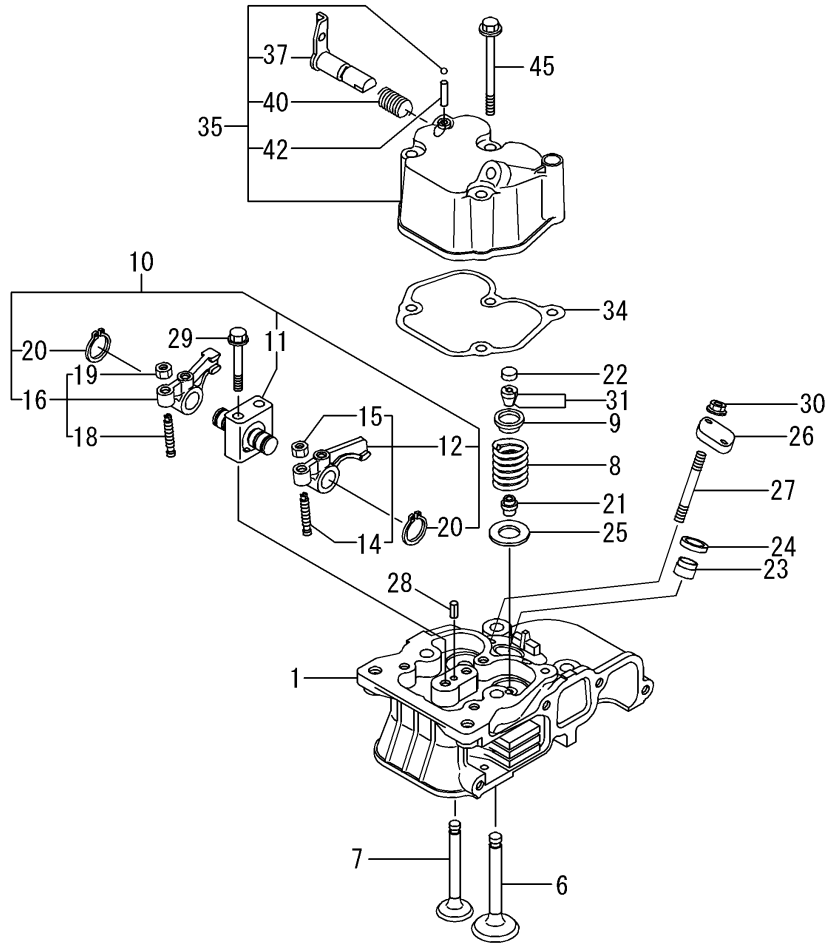
(B)=

(C)=

(D)=

(E)=

(F)=

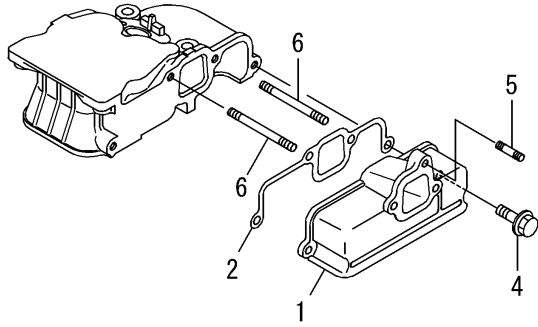


No.	Lev.	Parts No.	Description	Q'ty						I	R
				(A)	(B)	(C)	(D)	(E)	(F)		
1	1	11429C-11030	HEAD ASSY, CYLINDER	1							
6	1	11429C-11100	VALVE, INTAKE	1							
7	1	11429C-11110	VALVE, EXHAUST	1							
8	1	114299-11120	SPRING, VALVE	2							
9	1	114250-11180	RETAINER, SPRING	2							
10	1	11429C-11250	SUPPORT ASSY, ARM	1							
11	2	11429C-11260	SUPPORT, ROCKER ARM	1							
12	2	11429C-11650	ARM ASSY, ROCKER	1							
14	3	114250-11240	SCREW, VALVE ADJUST	1							
15	3	26856-060002	NUT, M6	1							
16	2	11429C-11660	ARM ASSY, ROCKER	1							
18	3	114250-11240	SCREW, VALVE ADJUST	1							
19	3	26856-060002	NUT, M6	1							
20	2	22242-000120	RING, 12	2							
21	1	114250-11341	SEAL, VALVE STEM	2							
22	1	119260-11370	CAP, VALVE	2							
23	1	114240-11450	PROTECTOR, NOZZLE	1							
24	1	114240-11550	SEAT, NOZZLE	1							
25	1	114299-11600	WASHER, VALVE SPRING	2							
26	1	114299-11901	RETAINER, NOZZLE	1							
27	1	114110-11910	STUD, M6X65	2							
28	1	22351-040008	PIN, SPRING 4.0X 8	1							
29	1	26106-060452	BOLT, M6X 45 PLATED	2							
30	1	26366-060002	NUT, M6	2							
31	1	27310-055001	COTTER, 5.5	2							
34	1	114771-11310	GASKET, BONNET	1							
35	1	114295-11991	BONNET ASSY, HEAD	1							
37	2	114288-03590	DECOMPRESSION ASSY	1							
40	2	114299-03640	SPRING, DECOMPRESSION	1							
42	2	22312-030160	PIN, PARALLEL M3X16	1							
45	1	26106-060552	BOLT, M6X 55 PLATED	3							

Fig.5. INTAKE MANIHOLD

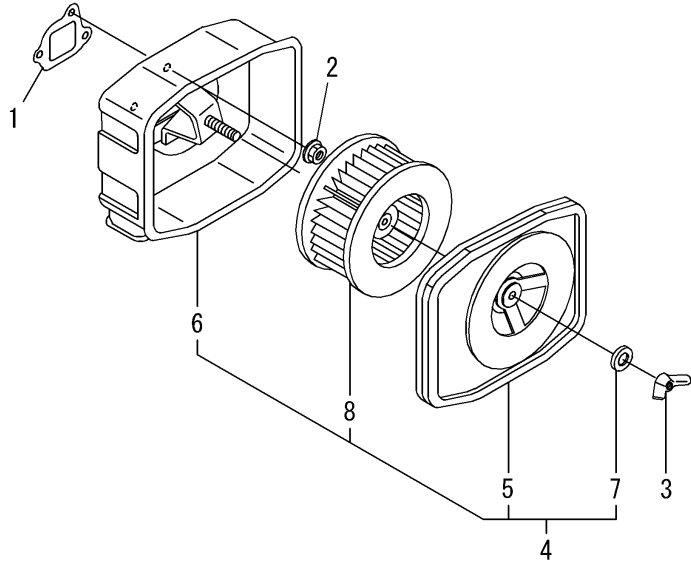
(A)=L48N6AF3R4JACD
 (B)=
 (C)=

(D)=
 (E)=
 (F)=



No.	Lev.	Parts No.	Description	Q'ty						I	R
				(A)	(B)	(C)	(D)	(E)	(F)		
1	1	114771-12010	PIPE, AIR INTAKE	1							
2	1	114771-12200	GASKET	1							
4	1	26106-060252	BOLT, M6X 25 PLATED	2							
5	1	26226-060142	STUD, M6X 14	1							
6	1	26226-060602	STUD, M6X 60	2							

Fig.6. AIR CLEANER



(A)=L48N6AF3R4JACD
(B)=
(C)=

(D)=
(E)=
(F)=

No.	Lev.	Parts No.	Description	Q'ty						I	R
				(A)	(B)	(C)	(D)	(E)	(F)		
1	1	114299-12210	GASKET, AIR CLEANER	1							
2	1	114299-12300	NUT	3							
3	1	114252-12550	NUT, WING M8	1							
4	1	114120-12570	CLEANER ASSY, AIR	1							
5	2	114288-12520	COVER ASSY	1							
6	2	114288-12532	CASE ASSY, CLEANER	1							
7	2	114252-12560	WASHER, SEAL M8	1							
8	2	114650-12590	ELEMENT ASSY	1							

Fig.7. EXHAUST MUFFLER

(A)=L48N6AF3R4JACD
 (B)=
 (C)=

(D)=
 (E)=
 (F)=

No.	Lev.	Parts No.	Description	Q'ty						I	R
				(A)	(B)	(C)	(D)	(E)	(F)		
1	1	114299-13200	GASKET, MUFFLER	1							
2	1	114288-13500	MUFFLER ASSY	1							
5	1	26106-060142	BOLT, M6X 14 PLATED	2							
7	1	26216-080182	STUD, M8X 18	2							
8	1	26306-080002	NUT, M8	2							
10	1	114299-13800	EXTENSION ASSY	1							

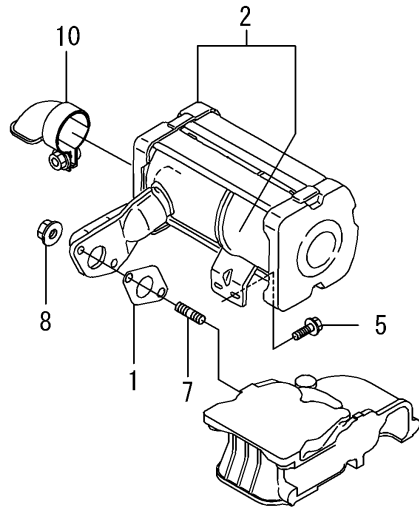
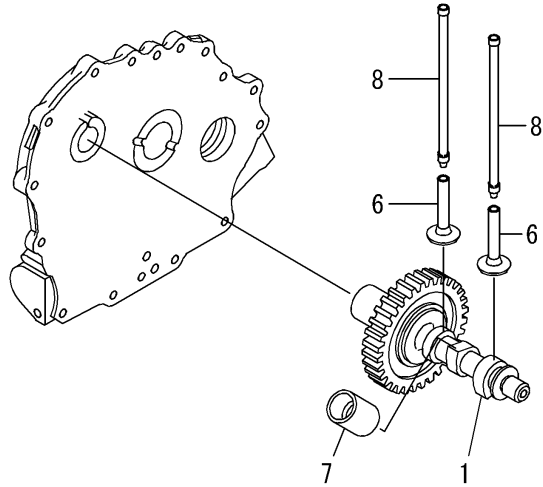


Fig.8. CAMSHAFT

(A)=L48N6AF3R4JACD
(B)=
(C)=

(D)=
(E)=
(F)=

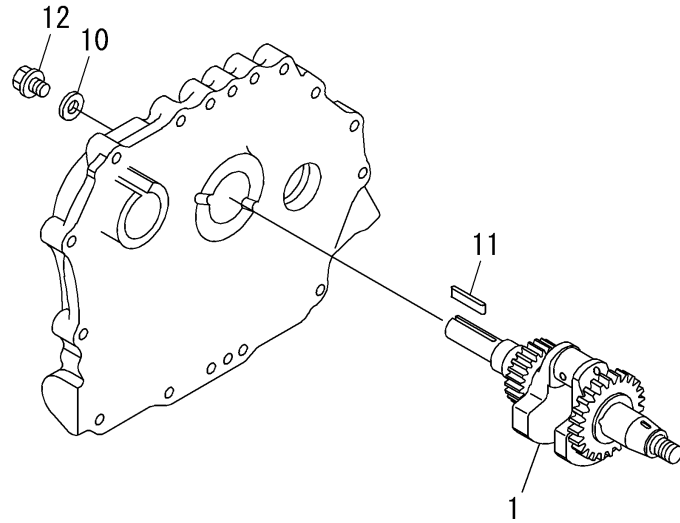


No.	Lev.	Parts No.	Description	Q'ty						I	R
				(A)	(B)	(C)	(D)	(E)	(F)		
1	1	71429C-14010	CAMSHAFT ASSY	1							
6	1	114299-14200	TAPPET	2							
7	1	114771-14260	TAPPET	1							
8	1	114250-14451	ROD ASSY, PUSH	2							

Fig.9. CRANKSHAFT

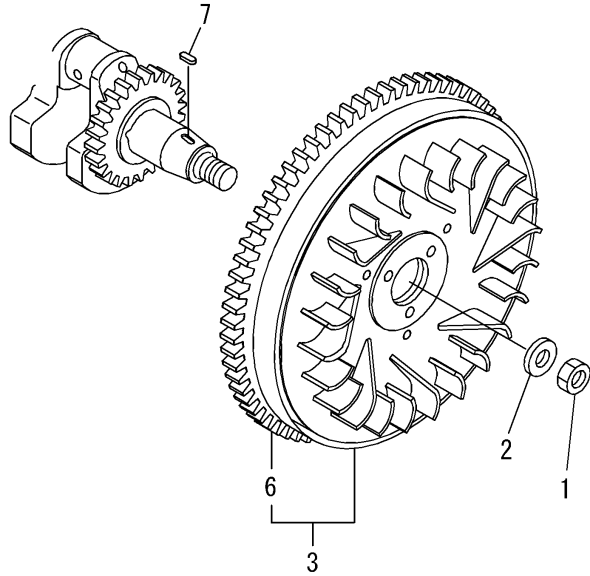
(A)=L48N6AF3R4JACD
(B)=
(C)=

(D)=
(E)=
(F)=



No.	Lev.	Parts No.	Description	Q'ty						I	R
				(A)	(B)	(C)	(D)	(E)	(F)		
1	1	114120-21710	CRANKSHAFT ASSY,D	1							
10	1	160310-14550	WASHER	1							
11	1	22512-050300	KEY, 5X 30	1							
12	1	26106-080202	BOLT, M8X 20 PLATED	1							

Fig.10. FLYWHEEL



(A)=L48N6AF3R4JACD
(B)=
(C)=

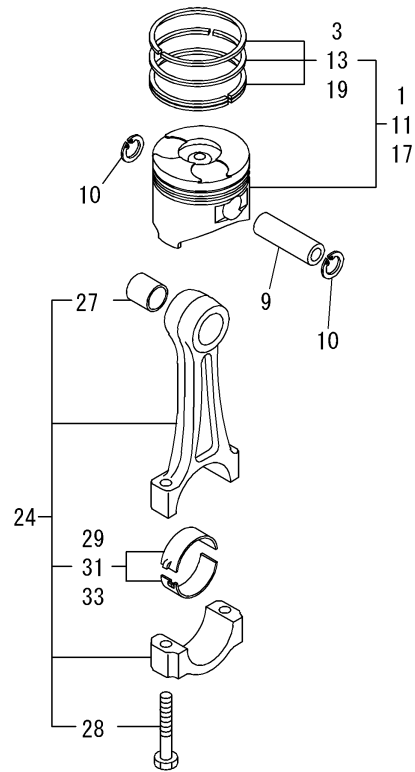
(D)=
(E)=
(F)=

No.	Lev.	Parts No.	Description	Q'ty						I	R
				(A)	(B)	(C)	(D)	(E)	(F)		
1	1	114299-21220	NUT	1							
2	1	114299-21550	WASHER	1							
3	1	114299-21590	FLYWHEEL ASSY	1							
6	2	114299-21600	GEAR, RING	1							
7	1	22512-040120	KEY, 4X 12	1							

Fig.11. PISTON & CONNECTING ROD

(A)=L48N6AF3R4JACD
(B)=
(C)=

(D)=
(E)=
(F)=



No.	Lev.	Parts No.	Description	Q'ty						I	R
				(A)	(B)	(C)	(D)	(E)	(F)		
1	1	714120-22720	PISTON W/RINGS (D)	1							
3	2	714295-22500	RING SET, PISTON	1							
9	1	114299-22300	PIN, PISTON D=19	1							
10	1	22252-000190	RING, 19	2							
11	1	714120-22630	PISTON ASSY, 0.25 OS	1							1
13	2	714295-22560	RING SET, 0.25 OS	1							1
17	1	714120-22590	PISTON ASSY, 0.50 OS	1							2
19	2	714295-22570	RING SET, 0.50 OS	1							2
24	1	71429C-23010	ROD ASSY, CONNECTING	1							
27	3	114770-23100	BEARING, PISTON PIN	1							
28	3	114110-23200	BOLT, CONNECTING ROD	2							
29	2	714770-23600	BEARING, CRANK PIN	1							
31	1	714770-23610	BEARING ASSY, 0.25	1							3
33	1	714770-23620	BEARING, 0.50 US	1							4

Remarks

- (1)Over size(O.S.=0.25)parts.
- (2)Over size(O.S.=0.50)parts.
- (3)Under size(U.S.=0.25)parts.
- (4)Under size(U.S.=0.50)parts.

Fig.12. BALANCER SHAFT

(A)=L48N6AF3R4JACD
 (B)=
 (C)=

(D)=
 (E)=
 (F)=

No.	Lev.	Parts No.	Description	Q'ty						I	R
				(A)	(B)	(C)	(D)	(E)	(F)		
1	1	714770-28531	SHAFT ASSY, BALANCER	1							
6	1	24101-062020	BEARING, BALL 6202C3	2							

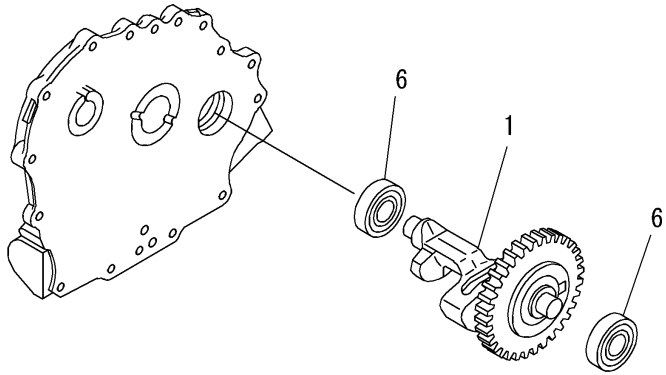
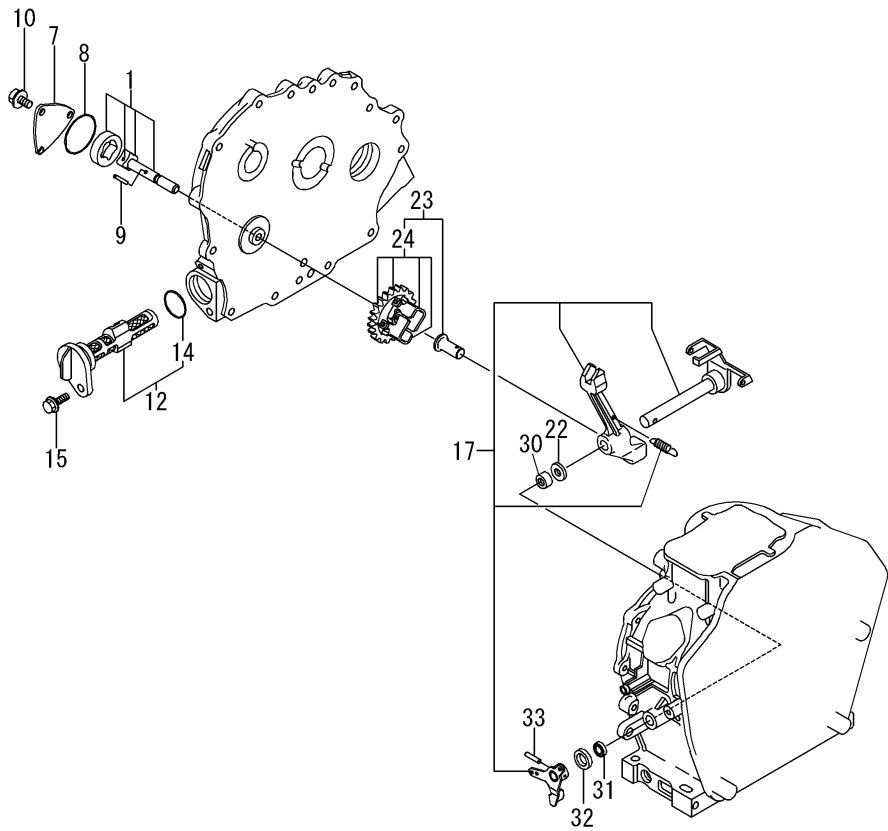


Fig.13. LUB. OIL PUMP & GOVERNOR



(A)=L48N6AF3R4JACD
(B)=
(C)=

(D)=
(E)=
(F)=

No.	Lev.	Parts No.	Description	Q'ty						I	R
				(A)	(B)	(C)	(D)	(E)	(F)		
1	1	114250-32010	PUMP ASSY, OIL	1							
7	1	114299-32070	COVER	1							
8	1	114299-32570	O-RING	1							
9	1	22312-030160	PIN, PARALLEL M3X16	1							
10	1	26106-060122	BOLT, M6X 12 PLATED	3							
12	1	114299-35110	FILTER ASSY, OIL	1							
14	2	24341-000224	O-RING, 1AS22.4	1							
15	1	26106-060162	BOLT, M6X 16 PLATED	1							
17	1	114295-61170	LEVER ASSY, GOVERNOR	1							1
22	1	114299-61190	WASHER	1							
23	1	114299-61700	GOVERNOR ASSY	1							
24	2	114299-61210	WEIGHT ASSY,GOVERNOR	1							
30	1	114770-61520	BEARING, NEEDLE	2							
31	1	114299-61600	SEAL, OIL	1							
32	1	114770-61610	WASHER, THRUST	1							
33	1	22322-030200	PIN, TAPER 3X20	1							

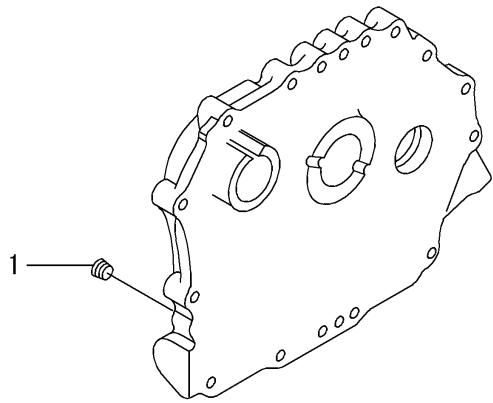
Remarks

(1)On a guarantee of quality component parts shall not be sold.

Fig.14. OIL PRESSURE SWITCH CAP

(A)=L48N6AF3R4JACD
 (B)=
 (C)=

(D)=
 (E)=
 (F)=

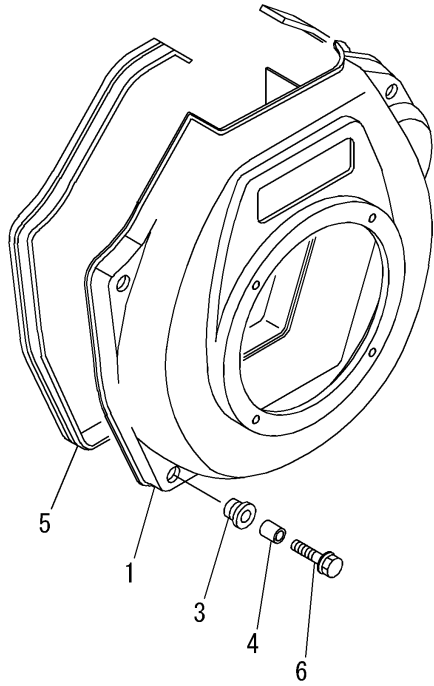


No.	Lev.	Parts No.	Description	Q'ty						I	R
				(A)	(B)	(C)	(D)	(E)	(F)		
1	1	23876-010000	PLUG, R01	1							

Fig.16. COOLING FAN CASE

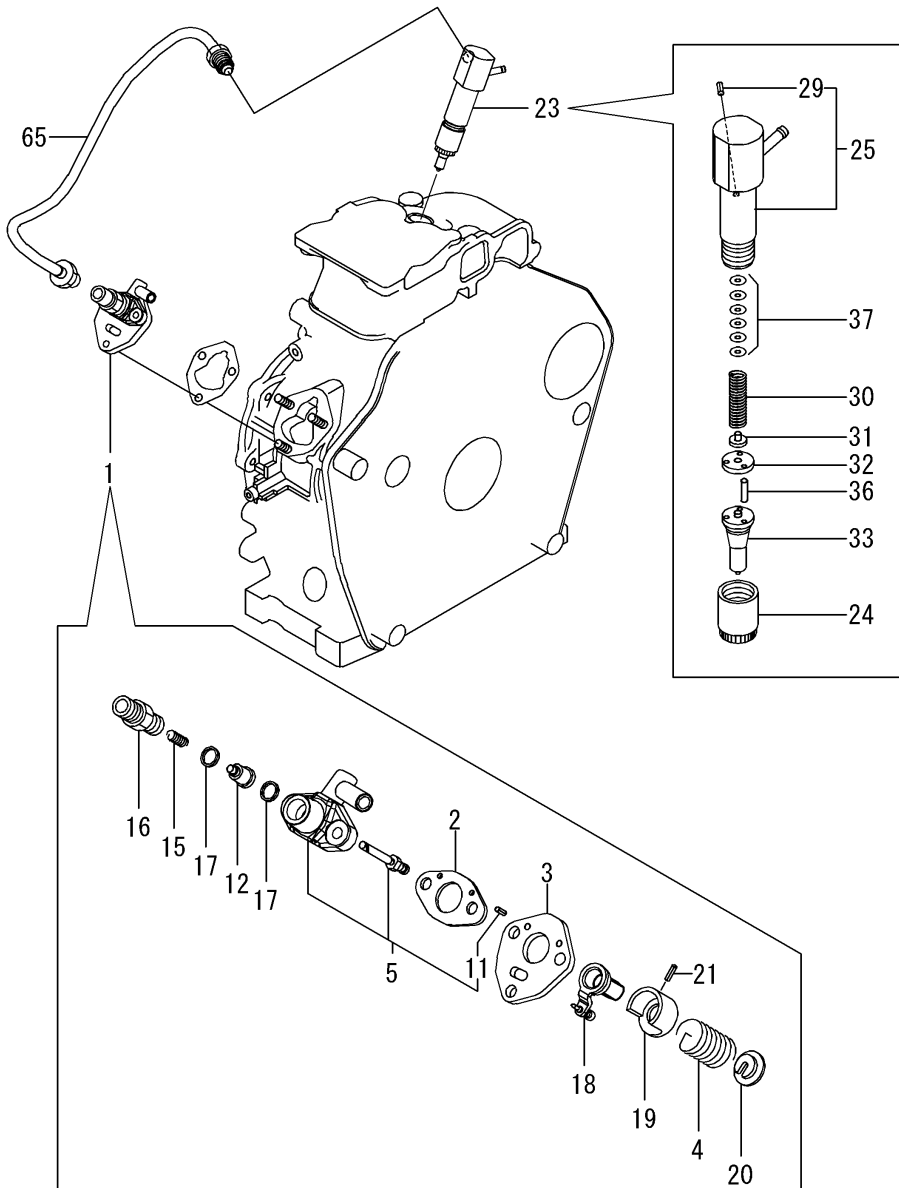
(A)=L48N6AF3R4JACD
 (B)=
 (C)=

(D)=
 (E)=
 (F)=



No.	Lev.	Parts No.	Description	Q'ty						I	R
				(A)	(B)	(C)	(D)	(E)	(F)		
1	1	114295-45150	CASE, COOLING FAN	1							
3	1	114299-45301	RUBBER, CUSHION	4							
4	1	114299-45310	COLLAR	4							
5	1	114120-45330	SEAL, FAN CASE	1							
6	1	114299-45350	BOLT, FAN CASE	4							

Fig.17. FUEL INJECTION PUMP & FUEL INJECTION VALVE

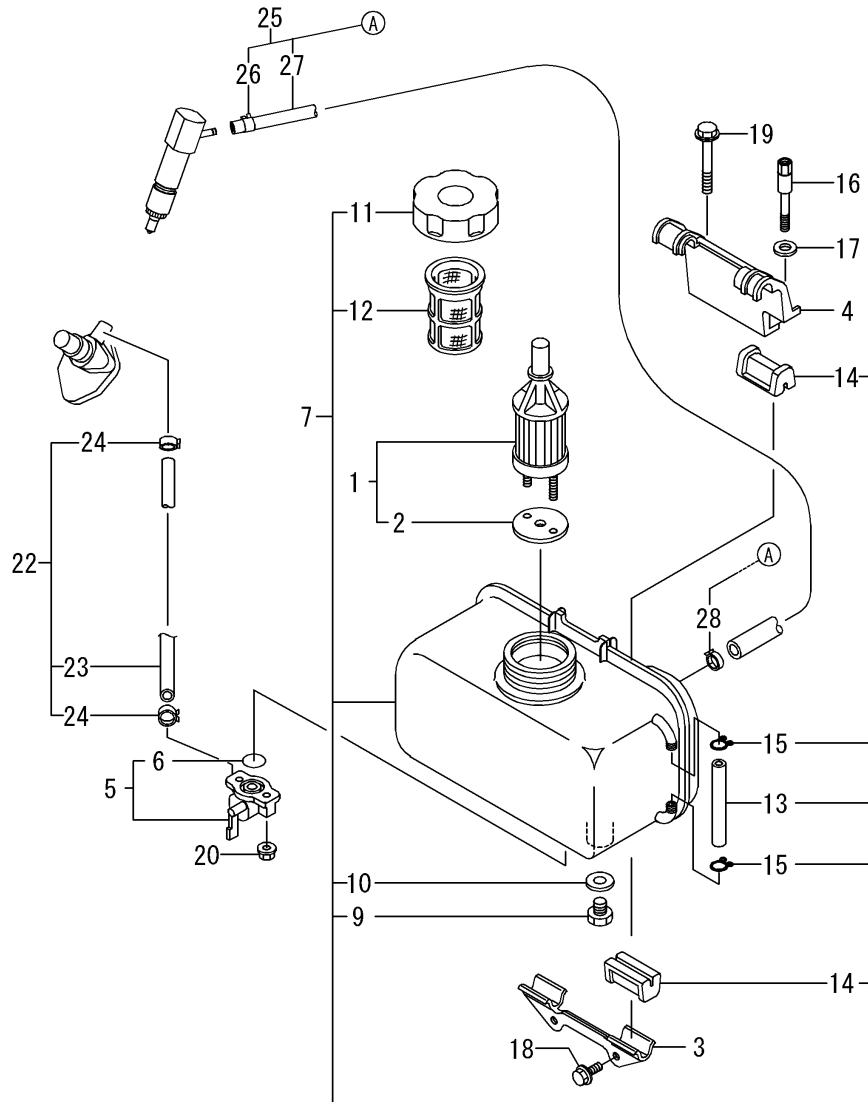


(A)=L48N6AF3R4JACD
(B)=
(C)=

(D)=
(E)=
(F)=

No.	Lev.	Parts No.	Description	Q'ty						I	R
				(A)	(B)	(C)	(D)	(E)	(F)		
1	1	714139-51200	PUMP ASSY, INJECTION	1							
2	2	105546-51020	GASKET	1							
3	2	114250-51080	PLATE	1							
4	2	114250-51160	SPRING, PLUNGER	1							
5	2	114350-51200	BODY ASSY, PUMP	1							
11	4	22351-020006	PIN, SPRING 2.0X 6	2							
12	2	114250-51300	VALVE ASSY, DELIVERY	1							
15	2	105546-51330	SPRING, DELIVERY	1							
16	2	114250-51340	HOLDER, DELIVERY	1							
17	2	124550-51350	GASKET, DELIVERY	2							
18	2	114250-51500	LEVER, CONTROL	1							
19	2	114250-51640	SEAT, SPRING A	1							
20	2	114250-51650	SEAT, SPRING B	1							
21	2	22351-030008	PIN, SPRING 3.0X 8	1							
23	1	714139-53200	VALVE ASSY, INJECTION	1							
24	2	114250-53080	NUT, NOZZLE D16.95	1							
25	2	114139-53100	HOLDER ASSY, NOZZLE	1							
29	3	22351-025005	PIN, SPRING 2.5X 6	1							
30	2	114250-53120	SPRING, NOZZLE	1							
31	2	114250-53130	SEAT, SPRING	1							
32	2	114250-53140	PLATE	1							
33	2	114139-53200	NOZZLE ASSY	1							
36	2	114250-53210	PIN	2							
37	2	119803-53400	SHIM SET	1							
65	1	114120-59800	PIPE ASSY, INJECTION	1							

Fig.18. FUEL TANK & FUEL PIPE



(A)=L48N6AF3R4JACD
(B)=
(C)=

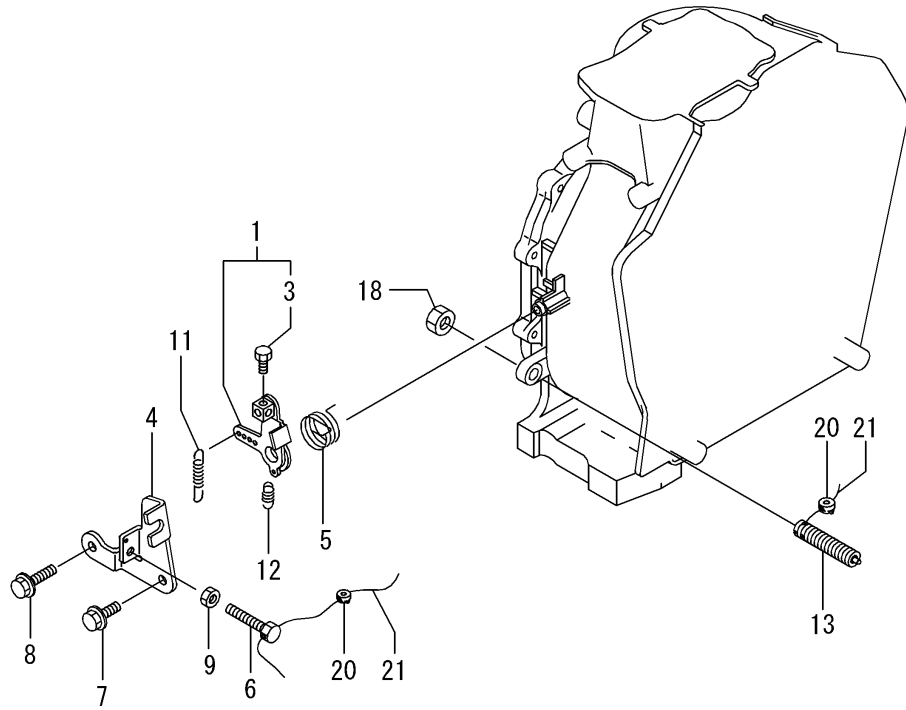
(D)=
(E)=
(F)=

No.	Lev.	Parts No.	Description	Q'ty						I	R
				(A)	(B)	(C)	(D)	(E)	(F)		
1	1	114250-55121	FILTER ASSY, FUEL	1							
2	2	114250-55130	GASKET	1							
3	1	114299-55210	STAY, FUEL TANK	1							
4	1	114299-55230	STAY, FUEL TANK	1							
5	1	114250-55301	COCK ASSY, FUEL	1							
6	2	24341-000150	O-RING, 1AS15.0	1							
7	1	11429C-55730	TANK ASSY, FUEL OIL	1							
9	2	114299-55080	PLUG, DRAIN	1							
10	2	23414-080000	GASKET, 8X1.0	1							
11	2	114299-55040	CAP ASSY, FUEL TANK	1							
12	2	114299-55100	FILTER, FUEL OIL	1							
13	2	114250-55150	GAUGE, LEVEL	1							
14	2	114250-55201	DAMPER, FUEL TANK	4							
15	2	23080-007000	CLAMP, 7	2							
16	1	114210-55810	BOLT, LIFTING	1							
17	1	22117-080000	WASHER, 8	1							
18	1	26106-060162	BOLT, M6X 16 PLATED	2							
19	1	26106-080452	BOLT, M8X 45 PLATED	1							
20	1	26366-060002	NUT, M6	2							
22	1	114780-59010	PIPE ASSY, FUEL L50	1							
23	2	114780-59060	PIPE, FUEL L=50	1							
24	2	23080-014000	CLAMP, 14	2							
25	1	114120-59300	PIPE ASSY, RETURN	1							
26	2	124722-59050	CLIP, HOSE 9	1							
27	2	114650-59060	PIPE, FUEL RETURN	1							
28	2	124066-59100	CLIP, HOSE 8	1							

Fig.19. SPEED CONTROL DEVICE

(A)=L48N6AF3R4JACD
(B)=
(C)=

(D)=
(E)=
(F)=

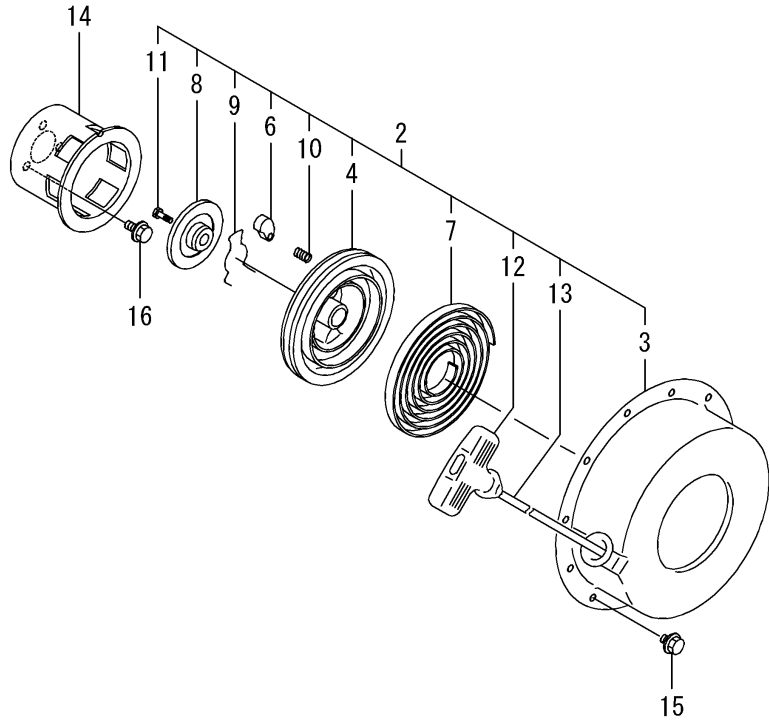


No.	Lev.	Parts No.	Description	Q'ty						I	R
				(A)	(B)	(C)	(D)	(E)	(F)		
1	1	114252-66053	HANDLE, REGULATOR	1							
3	2	105225-66990	SCREW, M5X8.5	1							
4	1	114349-66110	BRACKET, REGULATOR	1							
5	1	114299-66250	SPRING, RETURN	1							
6	1	114299-66440	BOLT, ADJUSTING	1							
7	1	26106-060142	BOLT, M6X 14 PLATED	1							
8	1	26106-060202	BOLT, M6X 20 PLATED	1							
9	1	26857-060002	NUT, M6	1							
11	1	114770-66010	SPRING, REGULATOR	1							
12	1	114299-66201	SPRING, RETURN	1							
13	1	114211-66600	LIMITER ASSY, FUEL	1							
18	1	26776-100002	NUT, LOCK M10	1							
20	1	114780-61090	TIN	2							
21	1	22451-060000	WIRE, 0.6	2							

Fig.20. RECOIL STARTER

(A)=L48N6AF3R4JACD
(B)=
(C)=

(D)=
(E)=
(F)=

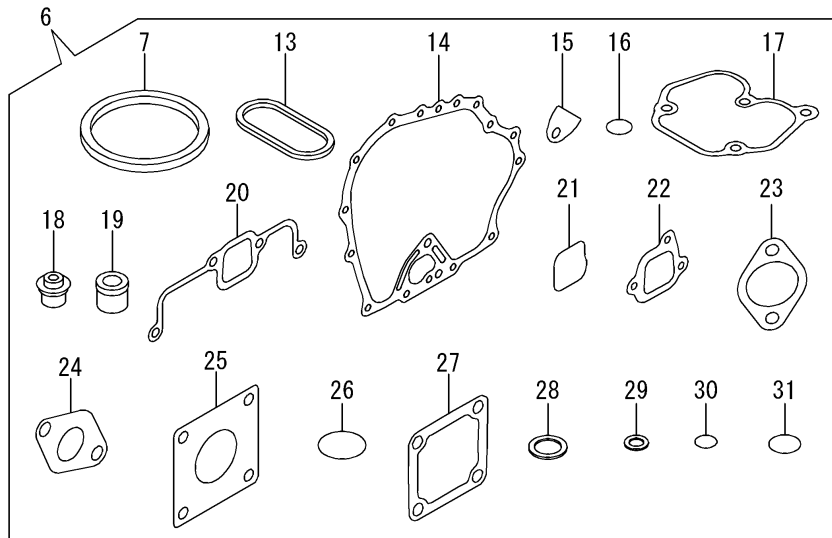
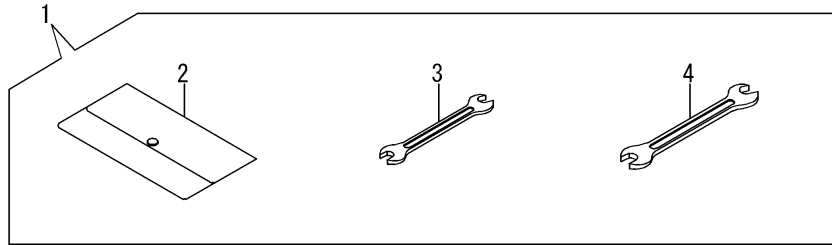


No.	Lev.	Parts No.	Description	Q'ty						I	R
				(A)	(B)	(C)	(D)	(E)	(F)		
2	2	114299-76250	STARTER ASSY, RECOIL	1							
3	3	114299-76500	CASE, STARTER	1							
4	3	114299-76521	REEL	1							
6	3	114399-76531	RATCHET	1							
7	3	114399-76540	SPRING, SPIRAL	1							
8	3	114399-76550	COVER	1							
9	3	114399-76560	SPRING	1							
10	3	114399-76570	SPRING, RETURN	1							
11	3	114399-76580	SCREW	1							
12	3	114399-76620	KNOB, STARTER	1							
13	3	114299-76630	ROPE, STARTER	1							
14	2	114299-76590	PULLEY, STARTER	1							
15	1	26106-060082	BOLT, M6X 8 PLATED	4							
16	1	26106-060122	BOLT, M6X 12 PLATED	3							

Fig.21. TOOL & GASKET SET

(A)=L48N6AF3R4JACD
(B)=
(C)=

(D)=
(E)=
(F)=



No.	Lev.	Parts No.	Description	Q'ty						I	R	
				(A)	(B)	(C)	(D)	(E)	(F)			
1	1	114299-92590	BOX, TOOL	1								
2	2	114299-92600	BAG, TOOL	1								
3	2	114299-92710	WRENCH	1								
4	2	114299-92720	WRENCH	1								
6	1	114120-92600	GASKET SET	1								1
7	2	114295-01330	GASKET, HEAD	1								
13	2	114299-01380	O-RING	1								
14	2	114299-01410	GASKET, CRANK CASE	1								
15	2	114250-01841	GASKET	1								
16	2	114299-01950	O-RING, 18	2								
17	2	114771-11310	GASKET, BONNET	1								
18	2	114250-11341	SEAL, VALVE STEM	2								
19	2	114771-11461	GASKET, NOZZLE	1								
20	2	114771-12200	GASKET	1								
21	2	114288-12210	O-RING	1								
22	2	114299-12210	GASKET, AIR CLEANER	2								
23	2	114299-12920	GASKET, AIR CLEANER	1								
24	2	114299-13200	GASKET, MUFFLER	1								
25	2	114299-21980	GASKET	1								
26	2	114299-32570	O-RING	1								
27	2	129100-77510	GASKET	3								
28	2	22190-160002	WASHER, SEAL 16	2								
29	2	23414-080000	GASKET, 8X1.0	1								
30	2	24341-000150	O-RING, 1AS15.0	1								
31	2	24341-000224	O-RING, 1AS22.4	1								

Remarks

(1)Optional parts.

Parts No. Index

Parts No.	Fig. No.	Ref. No.
105225-66990	19	3
105546-51020	17	2
105546-51330	17	15
114110-01020	1	1
114110-11910	4	27
114110-23200	11	28
114120-12570	6	4
114120-21710	9	1
114120-45330	16	5
114120-59300	18	25
114120-59800	17	65
114120-92600	21	6
114139-53100	17	25
114139-53200	17	33
114210-55810	18	16
114211-66600	19	13
114220-07100	3	2
114220-07110	3	4
114220-07130	3	11
114240-11450	4	23
114240-11550	4	24
114250-01841	1	25
	21	15
114250-02100	1	35
114250-02113	1	45
114250-02200	1	41
114250-02210	1	42
114250-11180	4	9
114250-11240	4	14
		18
114250-11341	4	21
	21	18
114250-14451	8	8
114250-32010	13	1
114250-51080	17	3
114250-51160	17	4
114250-51300	17	12
114250-51340	17	16
114250-51500	17	18
114250-51640	17	19
114250-51650	17	20
114250-53080	17	24
114250-53120	17	30
114250-53130	17	31
114250-53140	17	32
114250-53210	17	36
114250-55121	18	1
114250-55130	18	2
114250-55150	18	13
114250-55201	18	14

Parts No.	Fig. No.	Ref. No.
114250-55301	18	5
114252-12550	6	3
114252-12560	6	7
114252-66053	19	1
114288-03590	4	37
114288-12210	21	21
114288-12520	6	5
114288-12532	6	6
114288-13500	7	2
114295-01330	21	7
114295-01340	1	10
114295-11991	4	35
114295-45150	16	1
114295-61170	13	17
114299-01200	1	5
114299-01210	1	6
114299-01220	1	7
114299-01230	1	8
114299-01380	1	11
	21	13
114299-01410	1	31
	21	14
114299-01450	1	32
114299-01600	1	12
114299-01690	2	1
114299-01760	2	2
114299-01800	1	13
114299-01830	1	24
114299-01950	2	4
	21	16
114299-02030	1	44
114299-02220	1	46
114299-03640	4	40
114299-07101	3	3
114299-07111	3	5
114299-07160	3	6
114299-11120	4	8
114299-11600	4	25
114299-11901	4	26
114299-12210	6	1
	21	22
114299-12300	6	2
114299-12920	21	23
114299-13200	7	1
	21	24
114299-13800	7	10
114299-14200	8	6
114299-21220	10	1
114299-21550	10	2
114299-21590	10	3

Parts No.	Fig. No.	Ref. No.
114299-21600	10	6
114299-21980	21	25
114299-22300	11	9
114299-32070	13	7
114299-32570	13	8
	21	26
114299-35110	13	12
114299-35150	1	38
114299-45210	15	1
114299-45301	16	3
114299-45310	16	4
114299-45350	16	6
114299-55040	18	11
114299-55080	18	9
114299-55100	18	12
114299-55210	18	3
114299-55230	18	4
114299-61190	13	22
114299-61210	13	24
114299-61600	13	31
114299-61700	13	23
114299-66201	19	12
114299-66250	19	5
114299-66440	19	6
114299-76250	20	2
114299-76500	20	3
114299-76521	20	4
114299-76590	20	14
114299-76600	15	4
114299-76610	15	5
114299-76630	20	13
114299-92590	21	1
114299-92600	21	2
114299-92710	21	3
114299-92720	21	4
11429C-11030	4	1
11429C-11100	4	6
11429C-11110	4	7
11429C-11250	4	10
11429C-11260	4	11
11429C-11650	4	12
11429C-11660	4	16
11429C-55730	18	7
114349-66110	19	4
114350-51200	17	5
114399-01700	2	7
114399-76531	20	6
114399-76540	20	7
114399-76550	20	8
114399-76560	20	9

Parts No.	Fig. No.	Ref. No.
114399-76570	20	10
114399-76580	20	11
114399-76620	20	12
114650-12590	6	8
114650-59060	18	27
114770-23100	11	27
114770-61520	13	30
114770-61610	13	32
114770-66010	19	11
114771-11310	4	34
	21	17
114771-11461	21	19
114771-12010	5	1
114771-12200	5	2
	21	20
114771-14260	8	7
114780-59010	18	22
114780-59060	18	23
114780-61090	19	20
119260-11370	4	22
119803-53400	17	37
124066-59100	18	28
124550-51350	17	17
124722-59050	18	26
124950-01250	1	9
129100-77510	21	27
160210-02220	1	47
160310-14550	9	10
22117-080000	18	17
22190-160002	2	5
	21	28
22242-000120	4	20
22252-000190	11	10
22312-030160	4	42
	13	9
22312-040080	1	26
22322-030200	13	33
22351-020006	17	11
22351-025005	17	29
22351-030008	17	21
22351-040008	4	28
22451-060000	19	21
22512-040120	10	7
22512-050300	9	11
23080-007000	18	15
23080-014000	18	24
23414-080000	18	10
	21	29
23876-010000	14	1
24101-062020	12	6

Parts No. Index

Parts No.	Fig. No.	Ref. No.
24162-152112	1	48
24341-000150	18	6
	21	30
24341-000224	13	14
	21	31
26106-060082	20	15
26106-060122	13	10
	15	2
	20	16
26106-060142	7	5
	19	7
26106-060162	13	15
	18	18
26106-060202	19	8
26106-060252	1	39
	5	4
26106-060452	4	29
26106-060552	4	45
26106-080122	1	49
26106-080202	9	12
26106-080352	1	40
26106-080452	18	19
26106-100122	2	8
26216-080182	7	7
26226-060142	5	5
26226-060182	1	27
26226-060222	1	28
26226-060602	5	6
26306-080002	7	8
26366-060002	1	29
	4	30
	18	20
26776-100002	19	18
26856-060002	4	15
		19
26857-060002	19	9
27310-055001	4	31
714120-22590	11	17
714120-22630	11	11
714120-22720	11	1
714139-51200	17	1
714139-53200	17	23
714295-22500	11	3
714295-22560	11	13
714295-22570	11	19
71429C-14010	8	1
71429C-23010	11	24
714770-23600	11	29
714770-23610	11	31
714770-23620	11	33

Parts No.	Fig. No.	Ref. No.
714770-28531	12	1

Parts No.	Fig. No.	Ref. No.
-----------	----------	----------

Parts No.	Fig. No.	Ref. No.
-----------	----------	----------