

0CC50-M00050EN

P R E F A C E

1. This Parts Catalog carries all parts incorporated in YANMAR Model L70V6-METMYI engine manufactured since October, 2013.
2. Each illustration corresponds to the parts list on the following page.
3. When ordering parts, clearly write down the engine model and serial number, as well as the name and number of each part in your order sheet. This will help insure reliable delivery of the parts you have ordered.

Contents

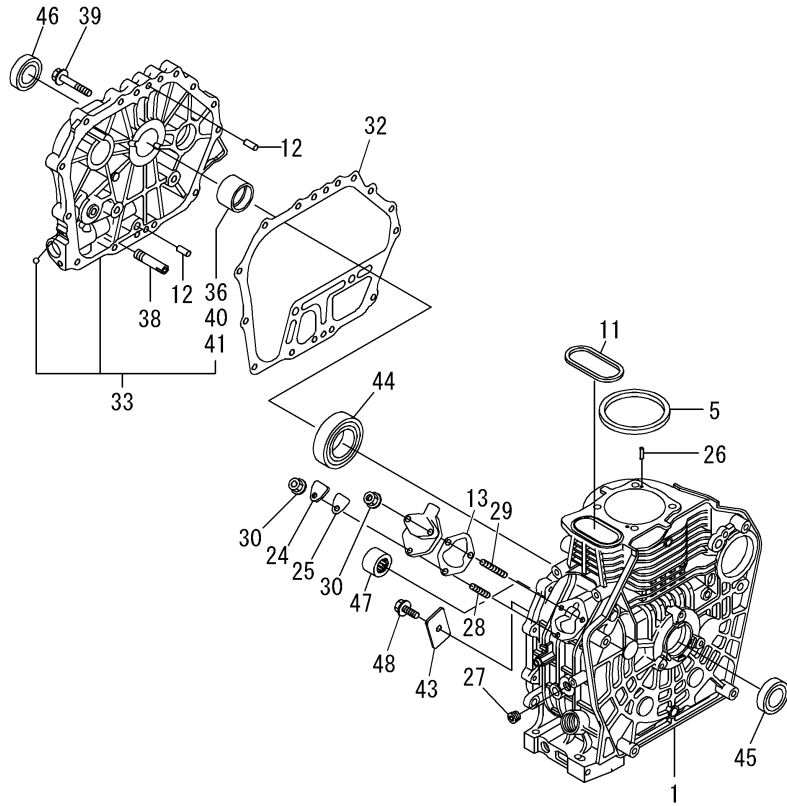
OCC50-M00050

Fig. No.	Fig. Name	Fig. No.	Fig. Name
L70V6-METMYI			
1.	CYLINDER BLOCK		
2.	DRAIN PLUG		
3.	LABEL		
4.	CYLINDER HEAD & BONNET		
5.	AIR CLEANER		
6.	EXHAUST MUFFLER		
7.	CAMSHAFT		
8.	CRANKSHAFT		
9.	FLYWHEEL		
10.	PISTON & CONNECTING ROD		
11.	BALANCER SHAFT		
12.	LUB.OIL PUMP & GOVERNOR		
13.	OIL PRESSURE SWITCH CAP		
14.	COVER		
15.	COOLING FAN CASE		
16.	F.I.PUMP & F.I.VALVE		
17.	FUEL TANK & FUEL PIPE		
18.	SPEED CONTROL DEVICE		
19.	RECOIL STARTER		
20.	STARTING MOTOR		
21.	ELECTRICAL EQUIPMENT		
22.	KEY SWITCH		
23.	DYNAMO		
24.	TOOL & GASKET SET		

Fig.1. CYLINDER BLOCK

(A)=L70V6-METMYI
(B)=
(C)=

(D)=
(E)=
(F)=



No.	Lev.	Parts No.	Description	Q'ty						I	R
				(A)	(B)	(C)	(D)	(E)	(F)		
1	1	114210-01010	BLOCK ASSY, CYLINDER	1							
5	1	114395-01331	GASKET, HEAD	1							
11	1	114399-01380	O-RING	1							
12	1	114299-01600	PIN, 8X12	2							
13	1	114299-01800	SHIM SET	1							
24	1	114299-01830	COVER	1							
25	1	114250-01841	GASKET	1							
26	1	22312-040080	PIN, PARALLEL M4X 8	2							
27	1	23875-020000	PLUG, R02	1							
28	1	26226-060182	STUD, M6X 18	1							
29	1	26226-060222	STUD, M6X 22	2							
30	1	26366-060002	NUT, M6	3							
32	1	114399-01410	GASKET, CRANK CASE	1							
33	1	114210-01450	COVER(E-D,CRANK CASE	1							
36	2	114350-02100	BEARING, MAIN	1							1
38	1	114299-35150	PIPE, OIL INLET	1							
39	1	26106-080352	BOLT, M8X 35 PLATED	15							
40	1	114350-02200	BEARING, 0.25 US	1							2
41	1	114350-02210	BEARING, 0.50 US	1							3
43	1	114299-02030	RETAINER, BEARING	1							
44	1	114350-02113	BEARING, B35-135G3C3	1							
45	1	160110-02220	SEAL, OIL	1							
46	1	160110-02220	SEAL, OIL	1							
47	1	24162-152116	BEARING, 152116	1							
48	1	26106-080122	BOLT, M8X 12 PLATED	1							

Remarks

- (1) Spare parts.
- (2) Under sized(U.S.=0.25)parts.
- (3) Under sized(U.S.=0.50)parts.

Fig.2. DRAIN PLUG

(A)=L70V6-METMYI
 (B)=
 (C)=

(D)=
 (E)=
 (F)=

No.	Lev.	Parts No.	Description	Q'ty						I	R
				(A)	(B)	(C)	(D)	(E)	(F)		
1	1	114299-01690	PLUG M16	2							
2	1	114699-01760	CAP ASSY	2							
4	2	114299-01950	O-RING, 18	2							
5	1	22190-160002	WASHER, SEAL 16	2							

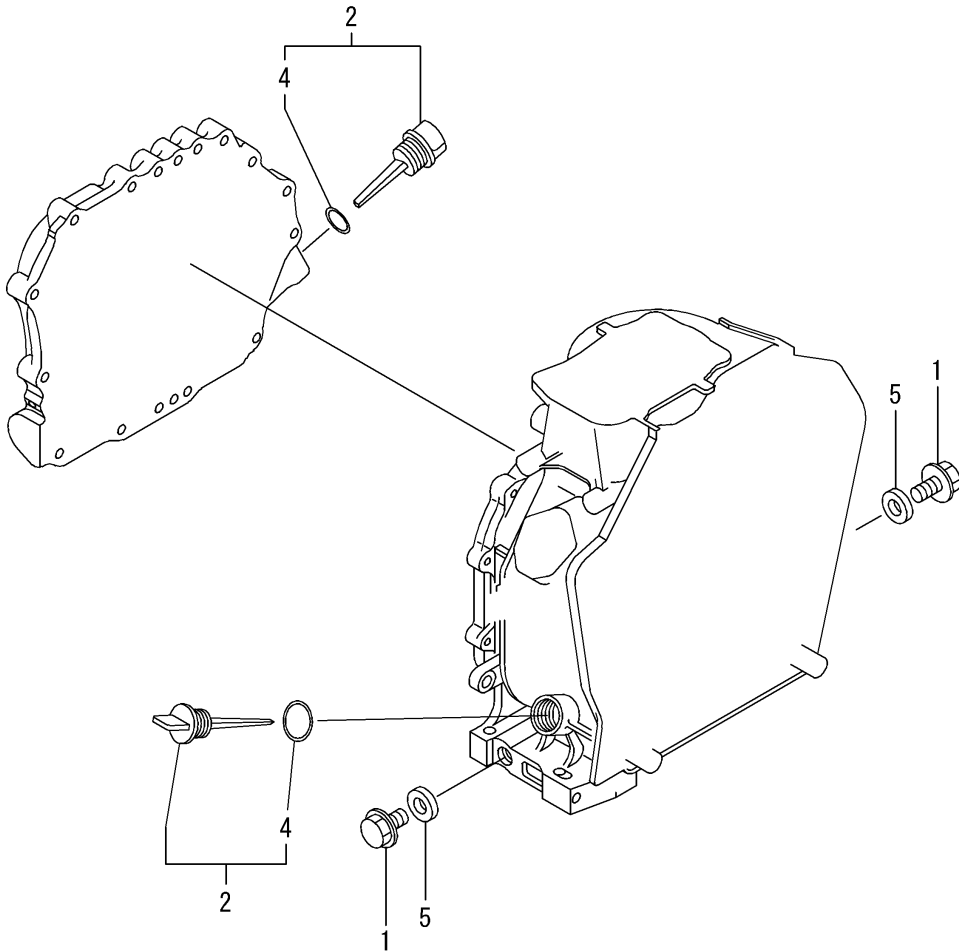
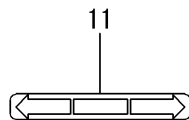
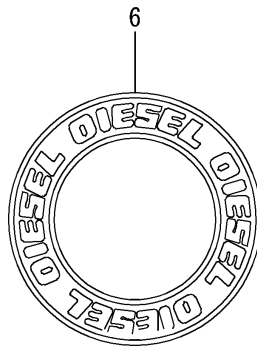
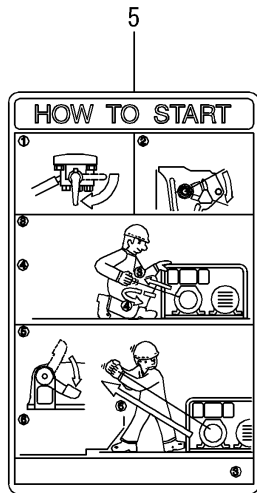
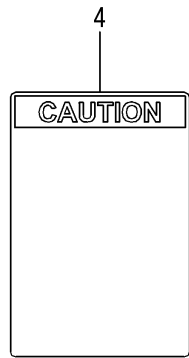
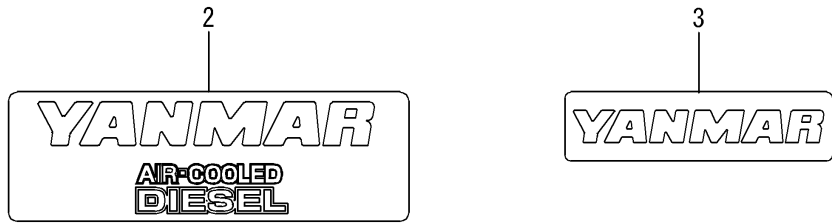


Fig.3. LABEL



(A)=L70V6-METMYI
(B)=
(C)=

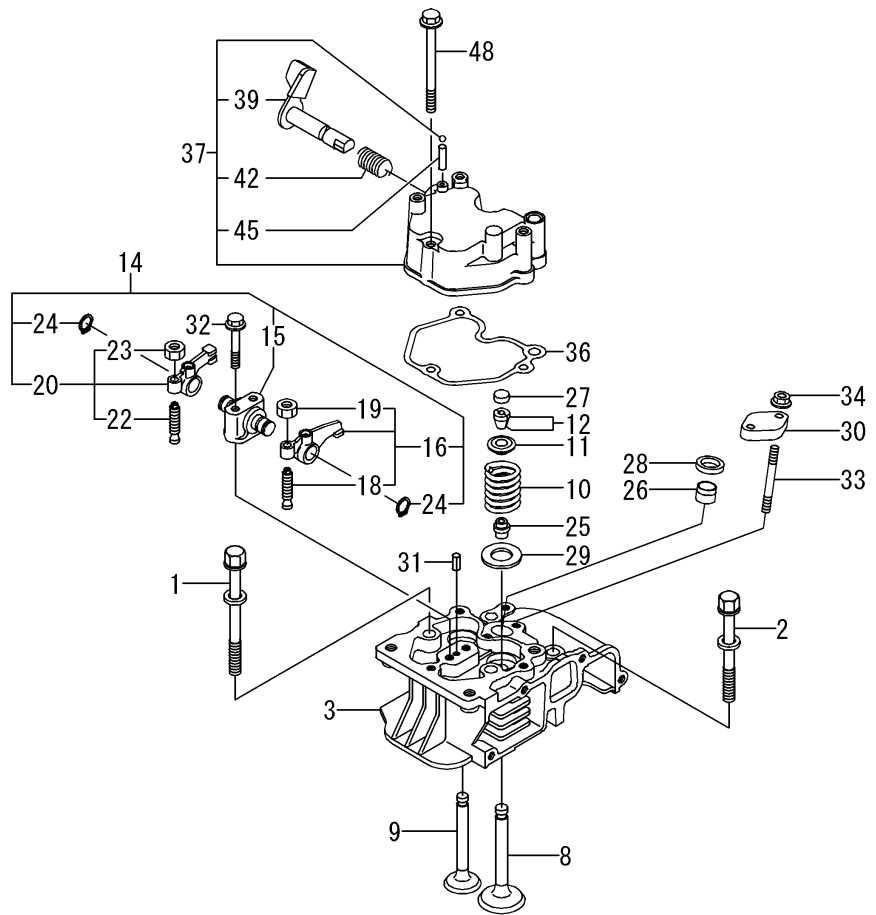
(D)=
(E)=
(F)=

No.	Lev.	Parts No.	Description	Q'ty						I	R
				(A)	(B)	(C)	(D)	(E)	(F)		
2	1	114299-07101	LABEL, YANMAR MARK A	1							
3	1	114299-07111	LABEL, YANMAR MARK B	1							
4	1	114210-07120	LABEL, CAUTION	1							
5	1	114210-07130	LABEL HOW TO START-E	1							
6	0	114299-07160	LABEL, DIESEL	1							
11	1	183250-07230	LABEL, OPERATION	1							

Fig.4. CYLINDER HEAD & BONNET

(A)=L70V6-METMYI
(B)=
(C)=

(D)=
(E)=
(F)=

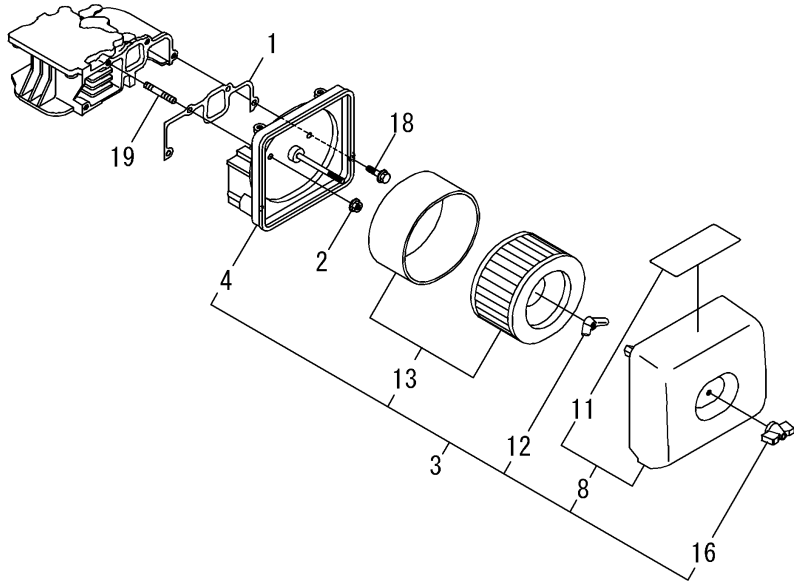


No.	Lev.	Parts No.	Description	Q'ty						I	R
				(A)	(B)	(C)	(D)	(E)	(F)		
1	1	114210-01200	BOLT, CYL.HEAD A	2							
2	1	114210-01210	BOLT, CYL.HEAD B	2							
3	1	114211-11020	HEAD ASSY, CYLINDER	1							
8	1	11421C-11100	VALVE, INTAKE	1							
9	1	11421C-11110	VALVE, EXHAUST	1							
10	1	114210-11120	SPRING, VALVE	2							
11	1	114210-11180	RETAINER, SPRING	2							
12	1	114210-11930	COTTER ASSY	2							
14	1	11421C-11250	SUPPORT ASSY, ARM	1							
15	2	11421C-11260	SUPPORT, ROCKER ARM	1							
16	2	11421C-11650	ARM ASSY, ROCKER	1							
18	3	114250-11240	SCREW, VALVE ADJUST	1							
19	3	26856-060002	NUT, M6	1							
20	2	11421C-11660	ARM ASSY, ROCKER	1							
22	3	114250-11240	SCREW, VALVE ADJUST	1							
23	3	26856-060002	NUT, M6	1							
24	2	22242-000120	RING, 12	2							
25	1	114350-11341	SEAL, VALVE STEM	2							
26	1	114240-11450	PROTECTOR, NOZZLE	1							
27	1	105010-11490	CAP, VALVE	2							
28	1	114240-11550	SEAT, NOZZLE	1							
29	1	114299-11600	WASHER, VALVE SPRING	2							
30	1	114210-11901	RETAINER, NOZZLE	1							
31	1	22351-040008	PIN, SPRING 4.0X 8	1							
32	1	26106-060402	BOLT, M6X 40 PLATED	2							
33	1	26226-060552	STUD, M6X 55	2							
34	1	26366-060002	NUT, M6	2							
36	1	114210-11310	GASKET, BONNET	1							
37	1	114210-11950	BONNET ASSY, HEAD	1							
39	2	114210-03590	DECOMPRESSION ASSY	1							
42	2	114299-03640	SPRING,DECOMPRESSION	1							
45	2	22312-030160	PIN, PARALLEL M3X16	1							
48	1	26106-060552	BOLT, M6X 55 PLATED	3							

Fig.5. AIR CLEANER

(A)=L70V6-METMYI
(B)=
(C)=

(D)=
(E)=
(F)=

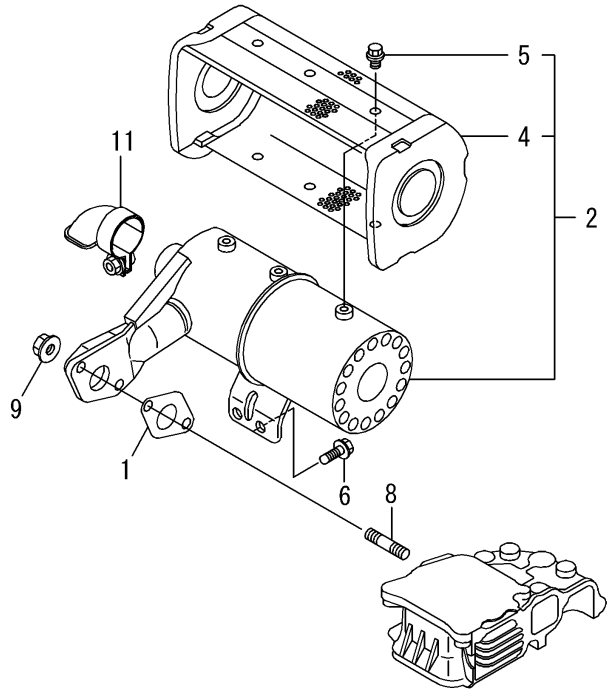


No.	Lev.	Parts No.	Description	Q'ty						I	R
				(A)	(B)	(C)	(D)	(E)	(F)		
1	1	114210-12210	GASKET, AIR CLEANER	1							
2	1	114299-12300	NUT	3							
3	1	114210-12511	CLEANER ASSY, AIR	1							
4	2	114210-12010	BODY ASSY, AIR CLNR	1							
8	2	114210-12500	COVER ASSY, AIR CLNR	1							
11	3	114210-12610	LABEL, AIR CLEANER	1							
12	2	114210-12560	NUT, WING	1							
13	2	114210-12590	ELEMENT ASSY	1							
16	2	114210-12600	LOCKING KNOB	1							
18	1	26106-060202	BOLT, M6X 20 PLATED	1							
19	1	26226-060302	STUD, M6X 30	3							

Fig.6. EXHAUST MUFFLER

(A)=L70V6-METMYI
(B)=
(C)=

(D)=
(E)=
(F)=



No.	Lev.	Parts No.	Description	Q'ty						I	R
				(A)	(B)	(C)	(D)	(E)	(F)		
1	1	114299-13200	GASKET, MUFFLER	1							
2	1	114368-13501	MUFFLER ASSY	1							
4	2	114268-13700	COVER, SILENCER	1							
5	2	26106-060082	BOLT, M6X 8 PLATED	6							
6	1	26106-060142	BOLT, M6X 14 PLATED	2							
8	1	26216-080182	STUD, M8X 18	2							
9	1	26306-080002	NUT, M8	2							
11	1	114299-13800	EXTENSION ASSY	1							

Fig.7. CAMSHAFT

(A)=L70V6-METMYI
(B)=
(C)=

(D)=
(E)=
(F)=

No.	Lev.	Parts No.	Description	Q'ty						I	R
				(A)	(B)	(C)	(D)	(E)	(F)		
1	1	714210-14580	CAMSHAFT ASSY	1							
6	1	114210-14200	TAPPET	2							
7	1	114210-14300	TAPPET ASSY, ROLLER	1							
12	1	114210-14400	ROD ASSY, PUSH	2							

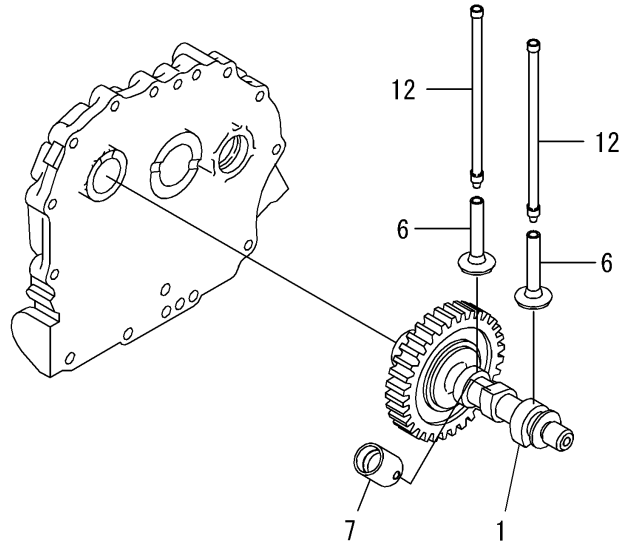
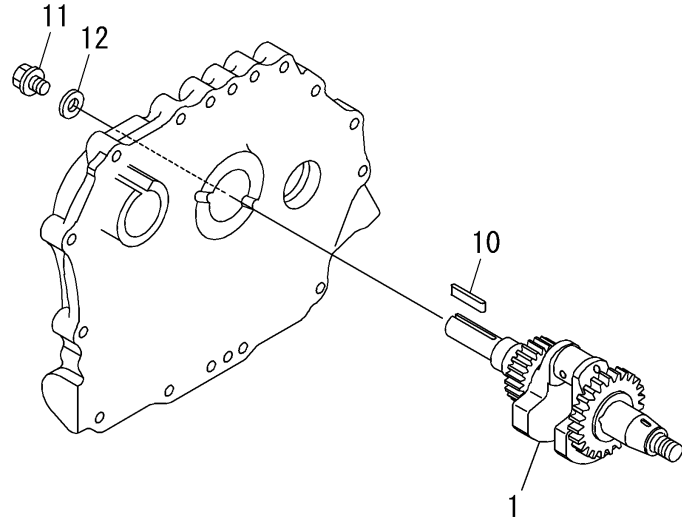


Fig.8. CRANKSHAFT

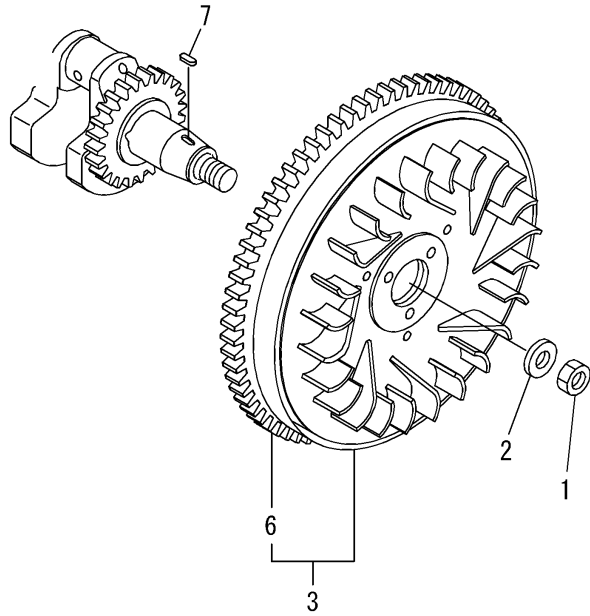
(A)=L70V6-METMYI
(B)=
(C)=

(D)=
(E)=
(F)=



No.	Lev.	Parts No.	Description	Q'ty						I	R
				(A)	(B)	(C)	(D)	(E)	(F)		
1	1	11421C-21830	CRANKSHAFT ASSY,E-D	1							
10	1	160842-21150	KEY, 6.3X50	1							
11	1	160842-21250	BOLT, 7/16-20UNF	1							
12	1	160842-21260	WASHER	1							

Fig.9. FLYWHEEL



(A)=L70V6-METMYI
(B)=
(C)=

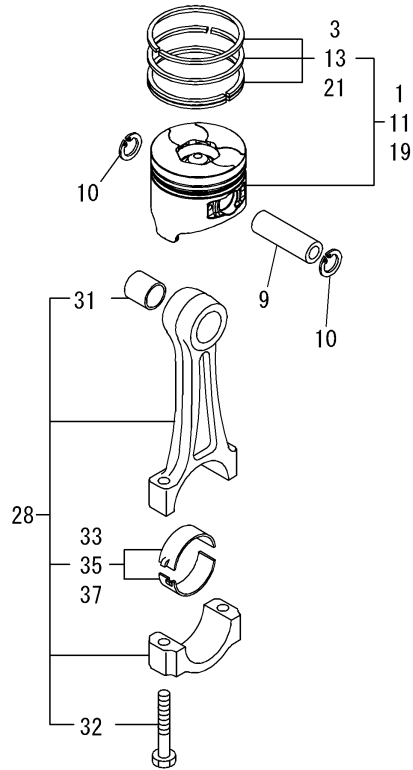
(D)=
(E)=
(F)=

No.	Lev.	Parts No.	Description	Q'ty						I	R
				(A)	(B)	(C)	(D)	(E)	(F)		
1	1	114299-21220	NUT	1							
2	1	114299-21550	WASHER	1							
3	1	114399-21590	FLYWHEEL ASSY	1							
6	2	114399-21600	GEAR, RING	1							
7	1	22512-040120	KEY, 4X 12	1							

Fig.10. PISTON & CONNECTING ROD

(A)=L70V6-METMYI
(B)=
(C)=

(D)=
(E)=
(F)=



No.	Lev.	Parts No.	Description	Q'ty						I	R
				(A)	(B)	(C)	(D)	(E)	(F)		
1	1	714210-22721	PISTON ASSY, D	1							
3	2	714870-22502	RING SET, PISTON	1							
9	1	114399-22300	PIN, PISTON D=21	1							
10	1	22252-000210	RING, 21	2							
11	1	114240-22040	PISTON W/RING .25OS	1							1
13	2	114220-22140	RING SET O.S=0.25	1							1
19	1	114240-22050	PISTON W/RING .50OS	1							2
21	2	114220-22150	RING SET O.S=0.50	1							2
28	1	71421C-23010	ROD ASSY, CONNECTING	1							
31	3	114380-23100	BEARING, PISTON PIN	1							
32	3	118200-23200	BOLT, CONNECTING ROD	2							
33	2	114210-23600	BEARING, CRANK PIN	1							
35	1	114210-23610	BEARING,PIN(U.S=0.25	1							3
37	1	114210-23620	BEARING,PIN(U.S=0.50	1							4

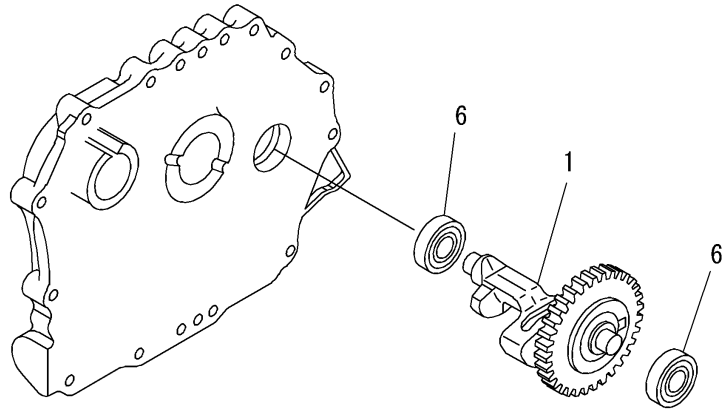
Remarks

- (1)Over sized(U.S.=0.25)parts.
- (2)Over sized(U.S.=0.50)parts.
- (3)Under sized(U.S.=0.25)parts.
- (4)Under sized(U.S.=0.50)parts.

Fig.11. BALANCER SHAFT

(A)=L70V6-METMYI
(B)=
(C)=

(D)=
(E)=
(F)=

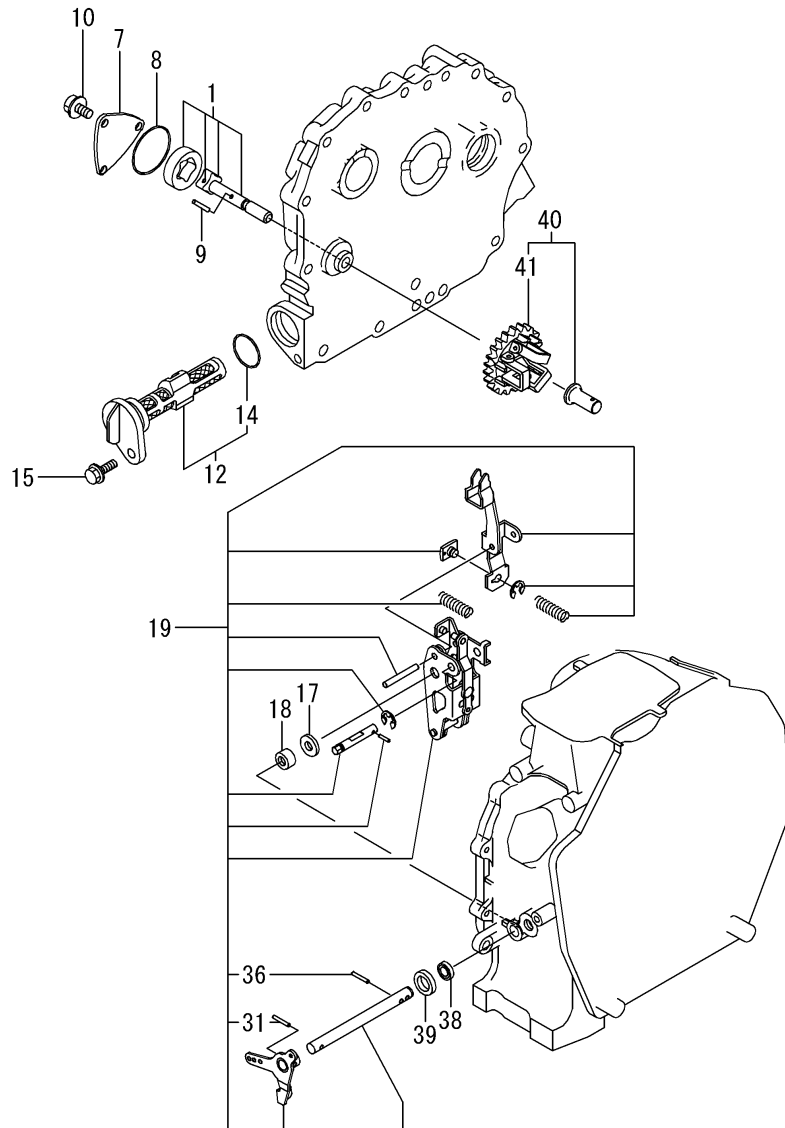


No.	Lev.	Parts No.	Description	Q'ty						I	R
				(A)	(B)	(C)	(D)	(E)	(F)		
1	1	714210-28510	SHAFT ASSY, BALANCER	1							
6	1	114210-28050	BEARING, 6203 C0L	2							

Fig.12. LUB.OIL PUMP & GOVERNOR

(A)=L70V6-METMYI
(B)=
(C)=

(D)=
(E)=
(F)=



No.	Lev.	Parts No.	Description	Q'ty						I	R
				(A)	(B)	(C)	(D)	(E)	(F)		
1	1	114250-32010	PUMP ASSY, OIL	1							
7	1	114299-32070	COVER	1							
8	1	114299-32570	O-RING	1							
9	1	22312-030160	PIN, PARALLEL M3X16	1							
10	1	26106-060122	BOLT, M6X 12 PLATED	3							
12	1	114299-35110	FILTER ASSY, OIL	1							
14	2	24341-000224	O-RING, 1AS22.4	1							
15	1	26106-060162	BOLT, M6X 16 PLATED	1							
17	1	114299-61190	WASHER	1							
18	1	114770-61520	BEARING, NEEDLE	2							
19	1	114210-61550	LEVER ASSY, GOVERNOR	1							1
31	3	22322-030200	PIN, TAPER 3X20	1							
36	2	22322-030200	PIN, TAPER 3X20	1							
38	1	114299-61600	SEAL, OIL	1							
39	1	114770-61610	WASHER, THRUST	1							
40	1	714210-61701	GOVERNOR ASSY	1							
41	2	114210-61290	WEIGHT ASSY,GOVERNOR	1							

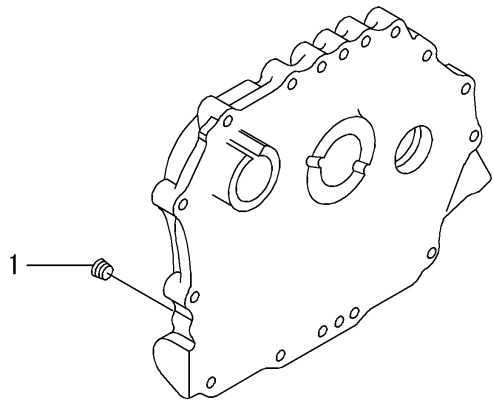
Remarks

(1)On a guarantee of quality component parts shall not be sold.

Fig.13. OIL PRESSURE SWITCH CAP

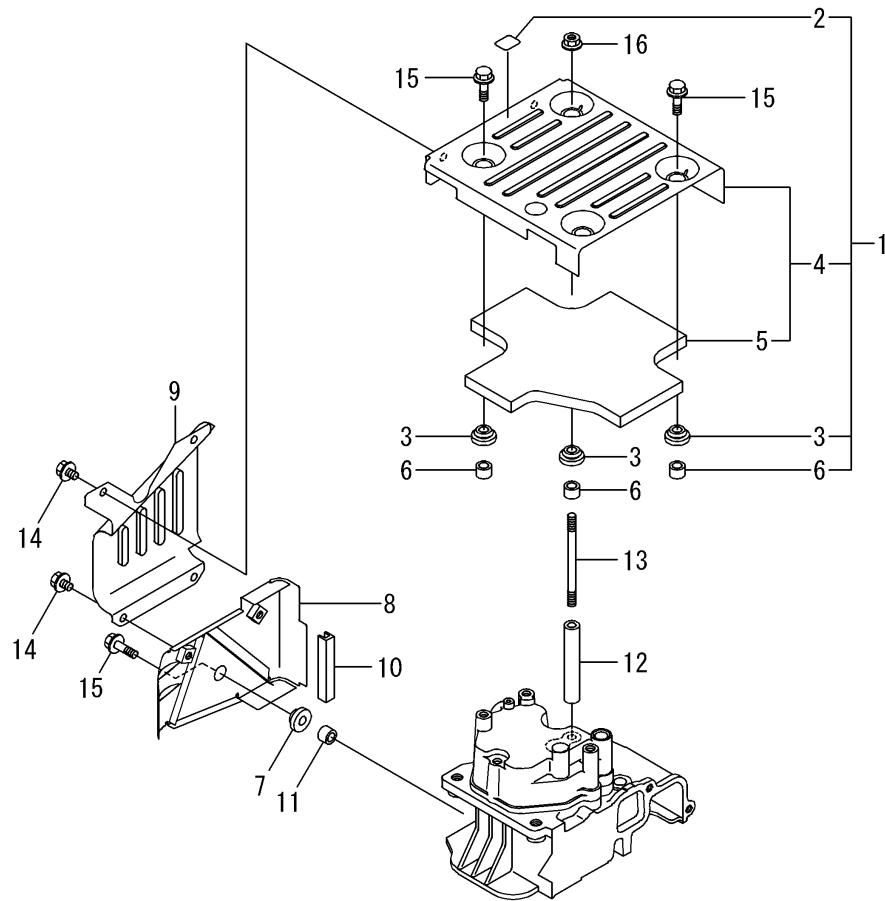
(A)=L70V6-METMYI
(B)=
(C)=

(D)=
(E)=
(F)=



No.	Lev.	Parts No.	Description	(A)	(B)	Q'ty				I	R
				(A)	(B)	(C)	(D)	(E)	(F)		
1	1	23876-010000	PLUG, R01	1							

Fig.14. COVER



(A)=L70V6-METMYI
(B)=
(C)=

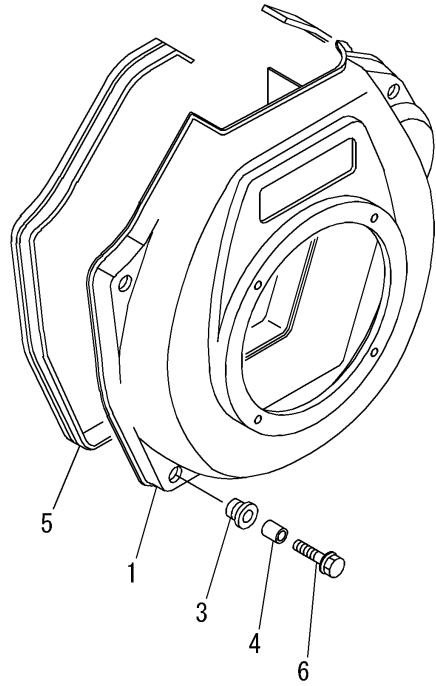
(D)=
(E)=
(F)=

No.	Lev.	Parts No.	Description	Q'ty						I	R
				(A)	(B)	(C)	(D)	(E)	(F)		
1	1	114210-45210	COVER ASSY, TOP	1							
2	2	114210-07200	LABEL, DECOMPRESSION	1							
3	2	114299-45220	GROMMET	4							
4	2	114210-45320	COVER, TOP	1							
5	3	114210-45310	DAMPER	1							
6	2	114399-45340	COLLAR	4							
7	1	114299-45220	GROMMET	1							
8	1	114210-45260	COVER B, SIDE (13)	1							
9	1	114210-45270	COVER A, SIDE (13)	1							
10	1	114399-45320	RUBBER, SEAL	1							
11	1	114399-45340	COLLAR	1							
12	1	114210-45350	SPACER, TOP COVER	1							
13	1	114210-45360	STUD BOLT, TOP COVER	1							
14	1	26106-060082	BOLT, M6X 8 PLATED	4							
15	1	26106-060202	BOLT, M6X 20 PLATED	4							
16	1	26366-060002	NUT, M6	1							

Fig.15. COOLING FAN CASE

(A)=L70V6-METMYI
(B)=
(C)=

(D)=
(E)=
(F)=

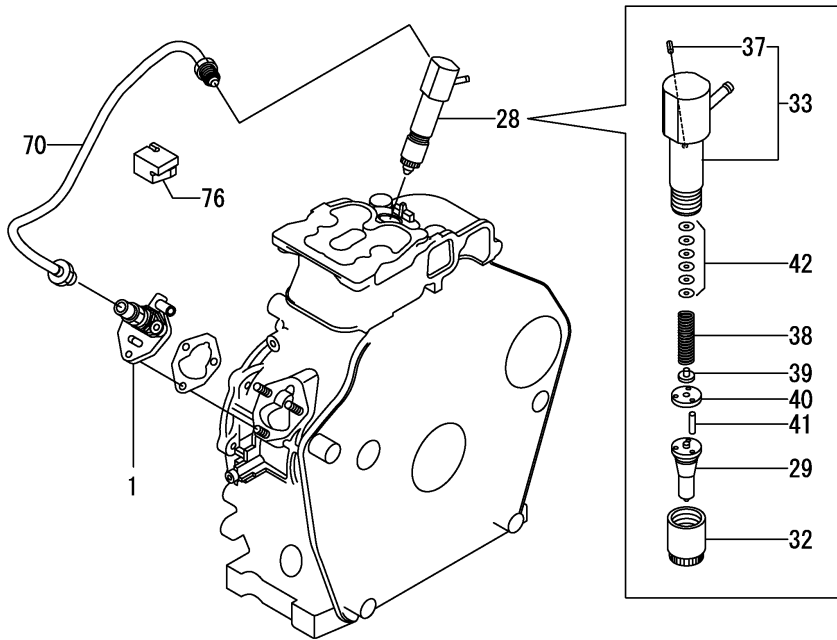


No.	Lev.	Parts No.	Description	Q'ty						I	R
				(A)	(B)	(C)	(D)	(E)	(F)		
1	1	114210-45150	CASE, COOLING FAN	1							
3	1	114299-45301	RUBBER, CUSHION	4							
4	1	114299-45310	COLLAR	4							
5	1	114299-45331	SEAL, FAN CASE	1							
6	1	114299-45350	BOLT, FAN CASE	4							

Fig.16. F.I.PUMP & F.I.VALVE

(A)=L70V6-METMYI
(B)=
(C)=

(D)=
(E)=
(F)=



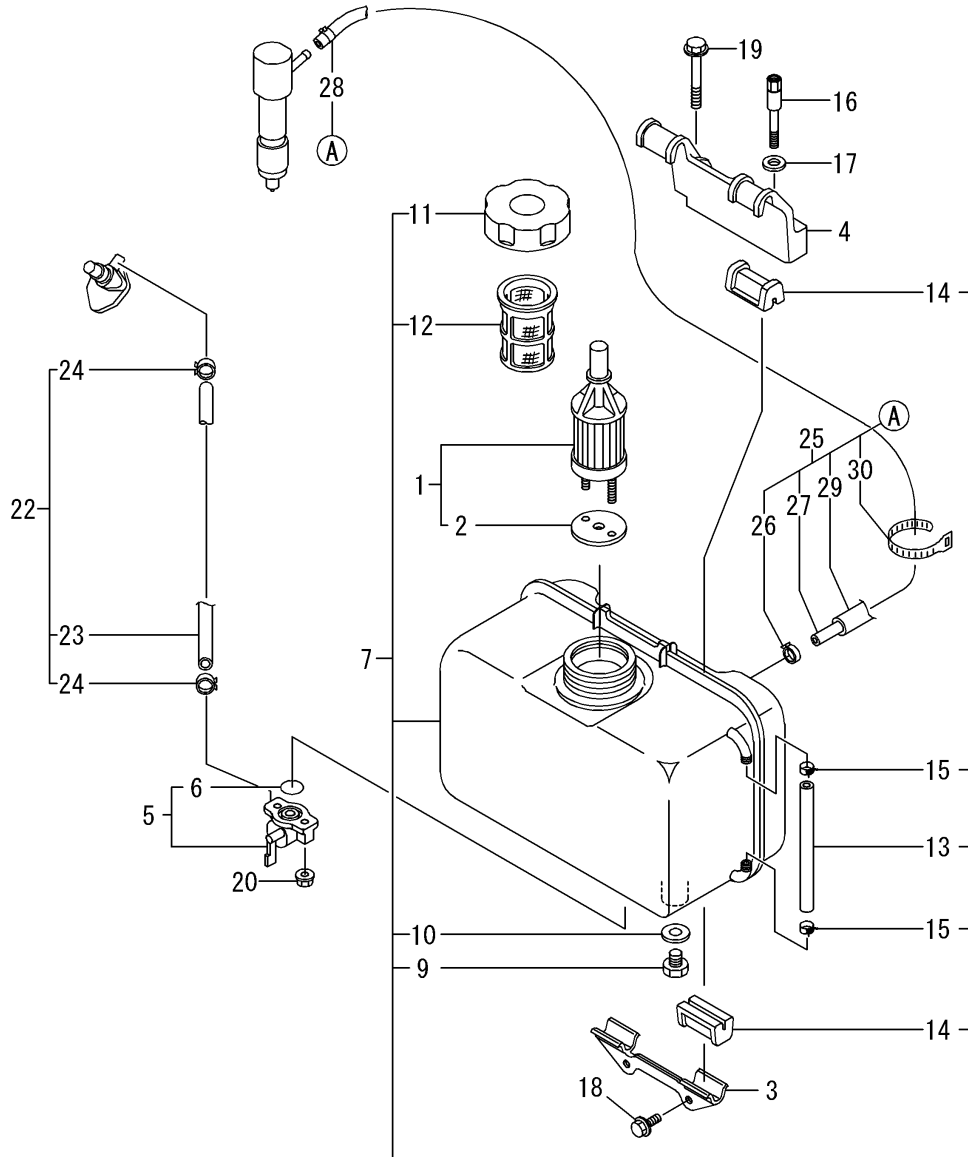
No.	Lev.	Parts No.	Description	Q'ty						I	R
				(A)	(B)	(C)	(D)	(E)	(F)		
1	1	714249-51400	PUMP ASSY, INJECTION	1							1
28	1	714249-53100	VALVE ASSY,INJECTION	1							
29	2	114249-53000	NOZZLE ASSY	1							
32	2	114250-53080	NUT, NOZZLE D16.95	1							
33	2	114339-53100	HOLDER ASSY, NOZZLE	1							
37	3	22351-025005	PIN, SPRING 2.5X 6	1							
38	2	114250-53120	SPRING, NOZZLE	1							
39	2	114250-53130	SEAT, SPRING	1							
40	2	114250-53140	PLATE	1							
41	2	114250-53210	PIN	2							
42	2	119803-53400	SHIM SET	1							
70	1	114210-59800	PIPE ASSY, INJECTION	1							
76	1	114210-59850	SUPPORT, INJ. PIPE	1							

Remarks

(1)On a guarantee of quality component parts shall not be sold.

N:Old $\xrightarrow{\text{Yes}}$ New, Q:Old $\xrightarrow{\text{No}}$ New, R:Old $\xrightarrow{\text{Yes}}$ New, S:Old $\xrightarrow{\text{No}}$ New, W:Add, Z:Discontinued, F:Interchangeable by set, K:Q'ty Change

Fig.17. FUEL TANK & FUEL PIPE

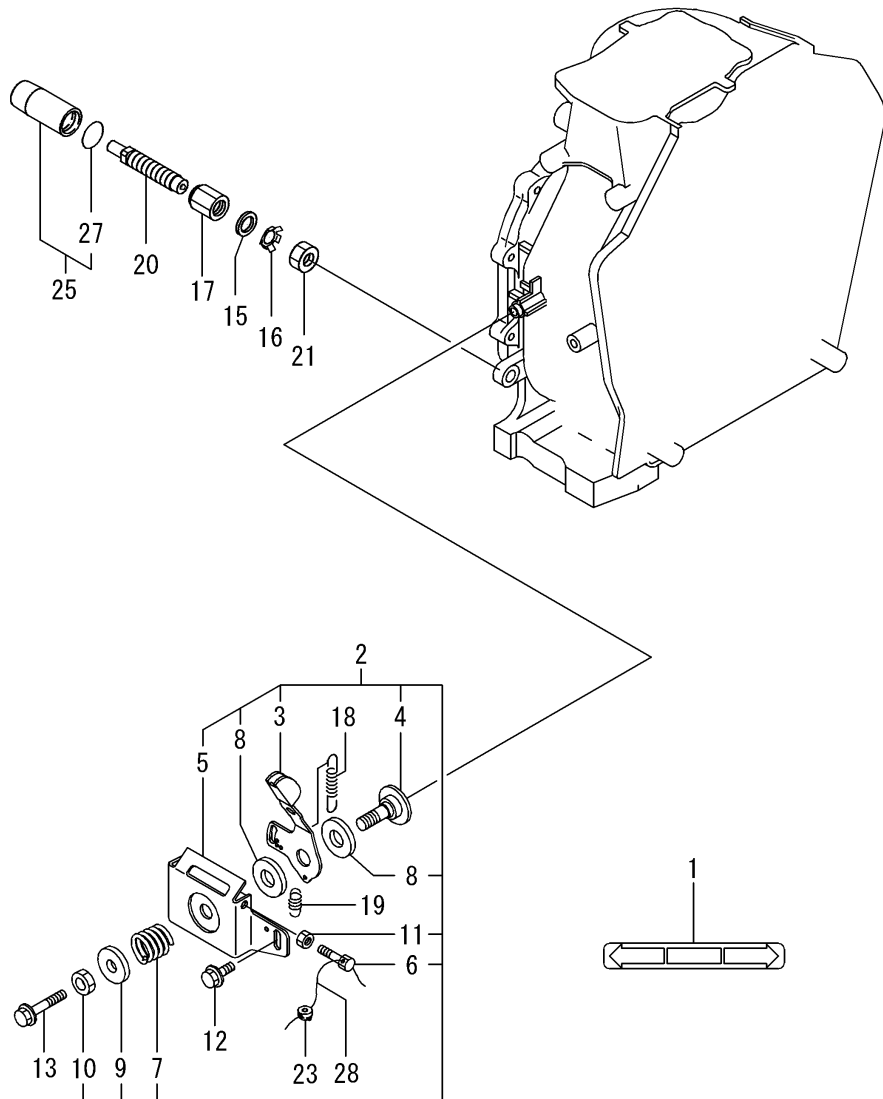


(A)=L70V6-METMYI
(B)=
(C)=

(D)=
(E)=
(F)=

No.	Lev.	Parts No.	Description	Q'ty						I	R
				(A)	(B)	(C)	(D)	(E)	(F)		
1	1	114250-55121	FILTER ASSY, FUEL	1							
2	2	114250-55130	GASKET	1							
3	1	114210-55210	STAY A, FUEL TANK	1							
4	1	114210-55230	STAY B, FUEL TANK	1							
5	1	114240-55300	COCK ASSY, FUEL	1							
6	2	24311-000125	O-RING, 1AP12.5	1							
7	1	11421C-55730	TANK ASSY, FUEL OIL	1							
9	2	23414-080000	GASKET, 8X1.0	1							
10	2	114299-55080	PLUG, DRAIN	1							
11	2	114299-55040	CAP ASSY, FUEL TANK	1							
12	2	114299-55100	FILTER, FUEL OIL	1							
13	2	114239-55150	GAUGE, LEVEL	1							
14	2	114250-55201	DAMPER, FUEL TANK	4							
15	2	23080-007000	CLAMP, 7	2							
16	1	114210-55810	BOLT, LIFTING	1							
17	1	22117-080000	WASHER, 8	1							
18	1	26106-060162	BOLT, M6X 16 PLATED	2							
19	1	26106-080452	BOLT, M8X 45 PLATED	1							
20	1	26366-060002	NUT, M6	2							
22	1	114780-59010	PIPE ASSY, FUEL L50	1							
23	2	114780-59060	PIPE, FUEL L=50	1							
24	2	23080-014000	CLAMP, 14	2							
25	1	114239-59300	PIPE ASSY, RETURN	1							
26	2	124722-59050	CLIP, HOSE 9	1							
27	2	114650-59060	PIPE, FUEL RETURN	1							
28	2	124066-59100	CLIP, HOSE 8	1							
29	2	114652-59310	TUBE, PROTECT	1							
30	2	121750-59890	BAND, 140	1							

Fig.18. SPEED CONTROL DEVICE



(A)=L70V6-METMYI
(B)=
(C)=

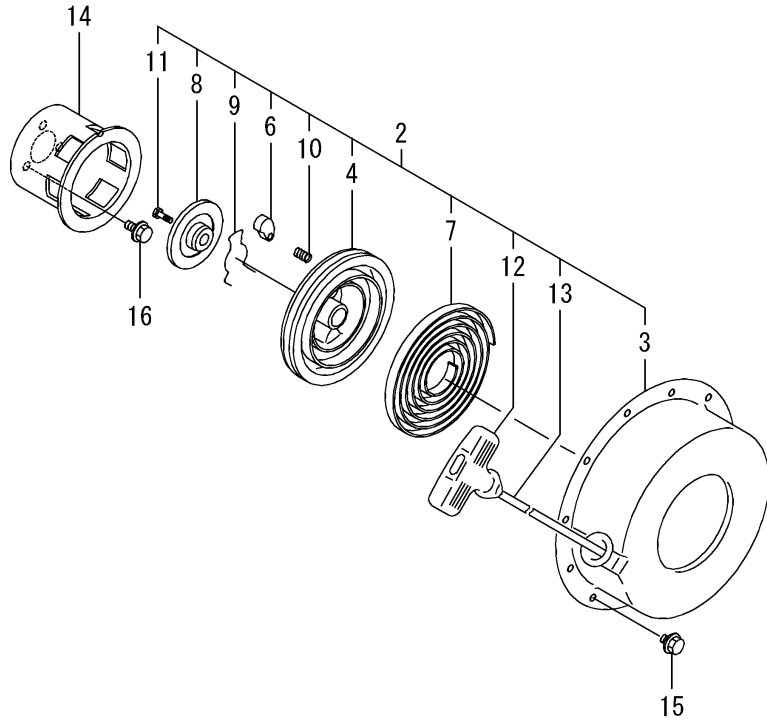
(D)=
(E)=
(F)=

No.	Lev.	Parts No.	Description	Q'ty						I	R
				(A)	(B)	(C)	(D)	(E)	(F)		
1	1	183250-07230	LABEL, OPERATION	1							
2	1	114210-66550	BRACKET ASSY	1							
3	2	114210-66070	HANDLE, REGULATOR	1							
4	2	183250-66070	SHAFT, HANDLE	1							
5	2	114210-66400	BRACKET, HANDLE	1							
6	2	114250-66440	BOLT, ADJUSTING	1							
7	2	104200-66820	SPRING	1							
8	2	104200-66831	PLATE, FRICTION	2							
9	2	104200-66850	WASHER	1							
10	2	26696-100002	NUT, LOCK M10	1							
11	2	26757-060002	NUT, LOCK M6	1							
12	1	26106-060142	BOLT, M6X 14 PLATED	1							
13	1	26106-060452	BOLT, M6X 45 PLATED	1							
15	1	114295-61810	WASHER, PLAIN 14	1							
16	1	114771-61830	PLATE	1							
17	1	114295-61940	NUT	1							
18	1	114210-66010	SPRING, REGULATOR	1							
19	1	114299-66201	SPRING, RETURN	1							
20	1	114771-66600	LIMITER ASSY, FUEL	1							
21	1	114295-66690	NUT, M14X1.25	1							
23	1	114780-61090	TIN	1							
25	1	114295-61980	PROTECTOR ASSY	1							
27	2	24311-000180	O-RING, 1AP18.0	1							
28	1	22451-060000	WIRE, 0.6	1							

Fig.19. RECOIL STARTER

(A)=L70V6-METMYI
(B)=
(C)=

(D)=
(E)=
(F)=

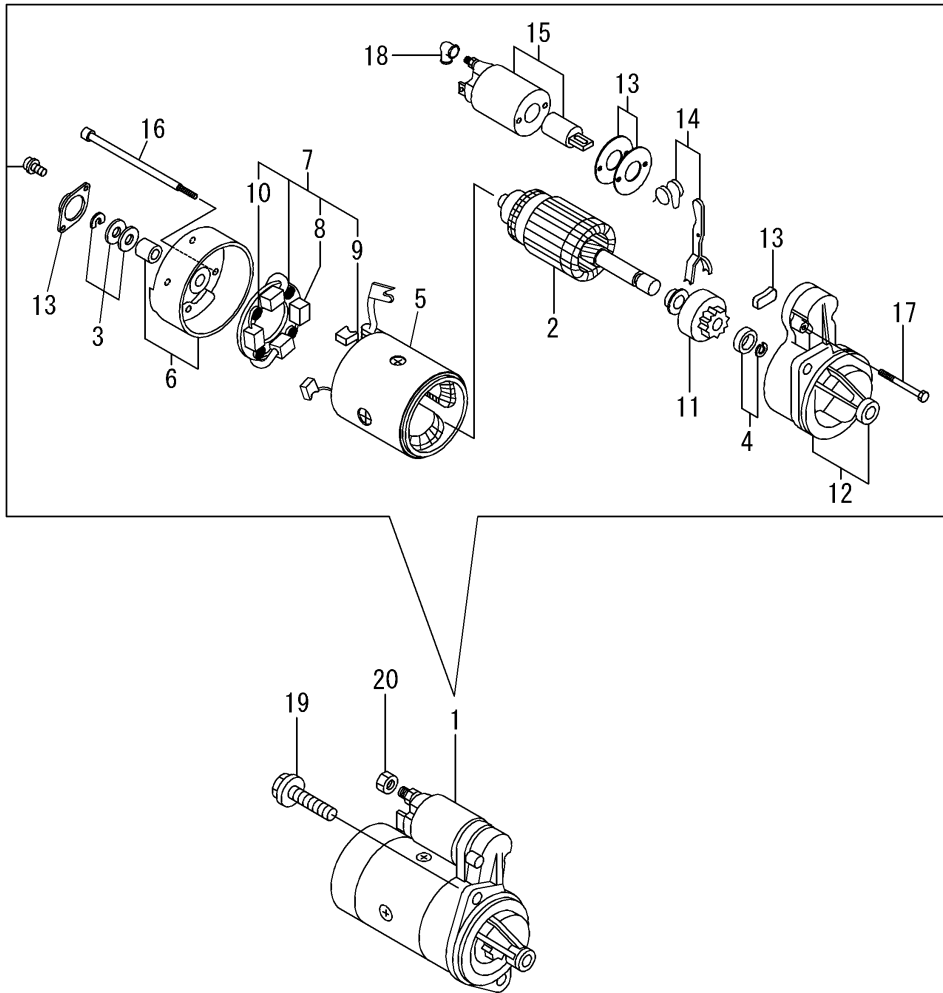


No.	Lev.	Parts No.	Description	Q'ty						I	R
				(A)	(B)	(C)	(D)	(E)	(F)		
2	2	114399-76251	RECOIL STARTER(D)ASY	1							
3	3	114399-76510	CASE, STARTER	1							
4	3	114399-76521	REEL, RECOIL	1							
6	3	114399-76531	RATCHET	1							
7	3	114399-76540	SPRING, SPIRAL	1							
8	3	114399-76550	COVER	1							
9	3	114399-76560	SPRING	1							
10	3	114399-76570	SPRING, RETURN	1							
11	3	114399-76580	SCREW	1							
12	3	114399-76620	KNOB, STARTER	1							
13	3	114399-76630	ROPE, STARTER	1							
14	2	114399-76590	PULLEY, STARTER	1							
15	1	26106-060082	BOLT, M6X 8 PLATED	4							
16	1	26106-060122	BOLT, M6X 12 PLATED	3							

Fig.20. STARTING MOTOR

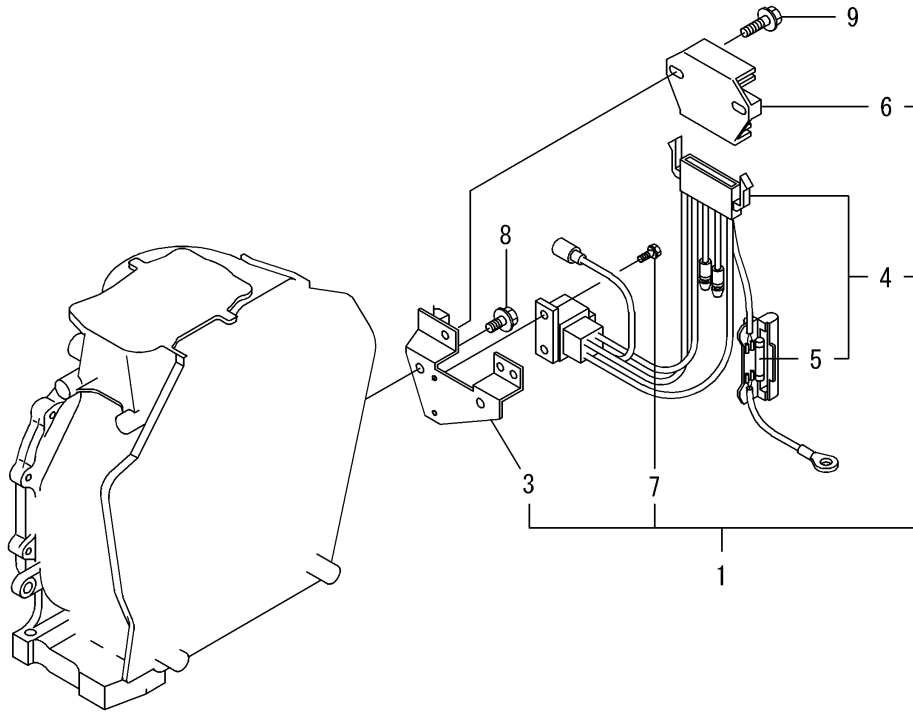
(A)=L70V6-METMYI
(B)=
(C)=

(D)=
(E)=
(F)=



No.	Lev.	Parts No.	Description	Q'ty						I	R
				(A)	(B)	(C)	(D)	(E)	(F)		
1	1	114362-77011	STARTER	1							
2	2	114381-77110	ARMATURE	1							
3	2	X2114811000	WASHER KIT, THRUST	1							
4	2	X2114715500	STOPPER SET	1							
5	2	114381-77130	COIL ASSY, FIELD	1							
6	2	114381-77140	COVER	1							
7	2	114371-77160	HOLDER ASSY, BRUSH	1							
8	3	114371-79040	BRUSH	2							
9	3	114371-79050	BRUSH	1							
10	3	114371-79060	SPRING	4							
11	2	X211485016	PINION ASSY	1							
12	2	114381-77151	CASE ASSY	1							
13	2	114371-77170	COVER ASSY, DUST	1							
14	2	114371-77180	LEVER KIT, SHIFT	1							
15	2	124298-77020	SWITCH, MAGNETIC	1							
16	2	124195-77770	BOLT, THROUGH	2							
17	2	114371-79070	BOLT	2							
18	2	X2114274200	COVER	1							
19	1	26106-100302	BOLT, M10X 30 PLATED	2							
20	1	26716-080002	NUT, M8	1							

Fig.21. ELECTRICAL EQUIPMENT

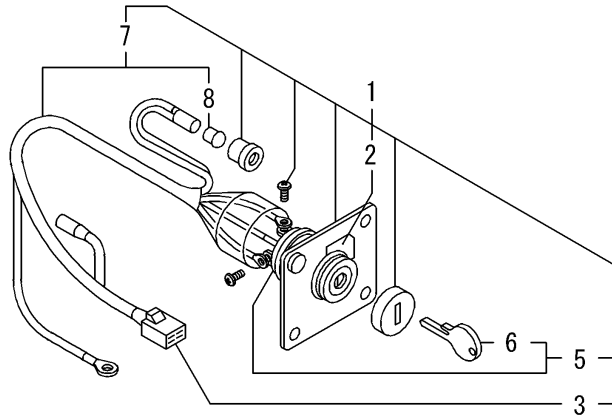


(A)=L70V6-METMYI
(B)=
(C)=

(D)=
(E)=
(F)=

No.	Lev.	Parts No.	Description	Q'ty						I	R
				(A)	(B)	(C)	(D)	(E)	(F)		
1	1	114399-77550	REG. & HARNESS ASSY	1							
3	3	114399-77400	BRACKET, HARNESS	1							
4	3	114399-77540	HARNESS, WIRE	1							
5	4	114399-78000	FUSE(20A	1							
6	2	114399-77710	REGULATOR	1							
7	2	26023-040102	SCREW, M4X10	2							
8	1	26106-060122	BOLT, M6X 12 PLATED	2							
9	1	26106-060202	BOLT, M6X 20 PLATED	2							

Fig.22. KEY SWITCH

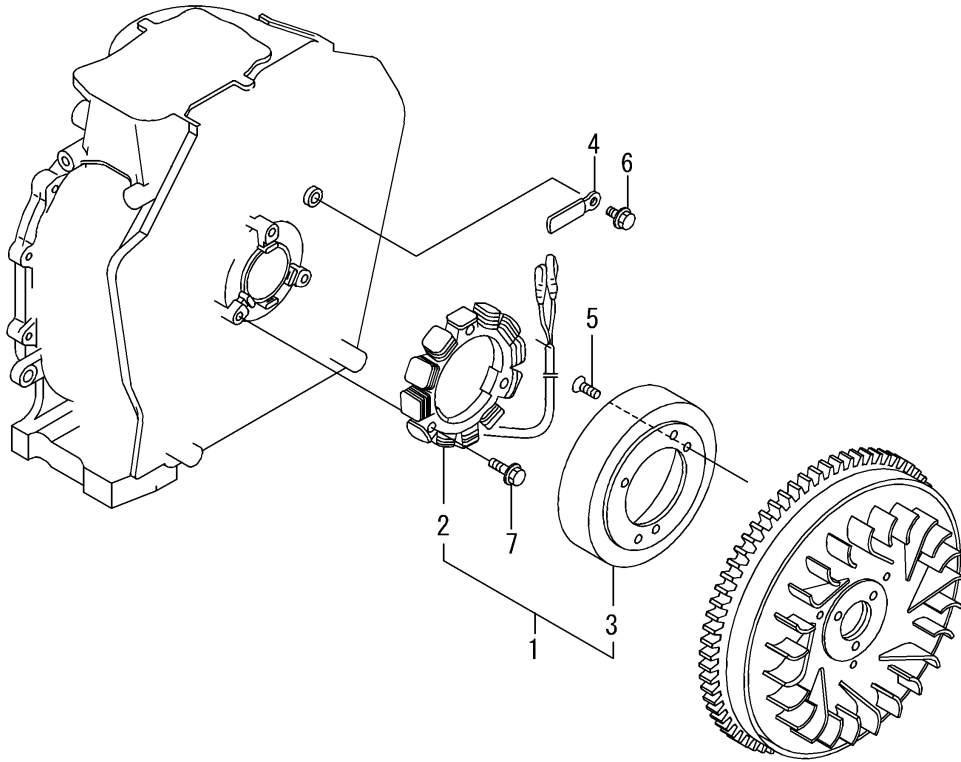


(A)=L70V6-METMYI
(B)=
(C)=

(D)=
(E)=
(F)=

No.	Lev.	Parts No.	Description	Q'ty						I	R
				(A)	(B)	(C)	(D)	(E)	(F)		
1	1	114351-77500	PANEL ASSY	1							
2	2	105198-07120	LABEL, START SWITCH	1							
3	2	114351-77520	COUPLER	1							
5	2	106100-77620	SWITCH, KEY	1							
6	3	106100-77630	KEY, SWITCH	1							
7	2	114351-77700	HARNES, WIRE	1							
8	3	29220-083200	BULB (12V/3.4W)	1							

Fig.23. DYNAMO



(A)=L70V6-METMYI
(B)=
(C)=

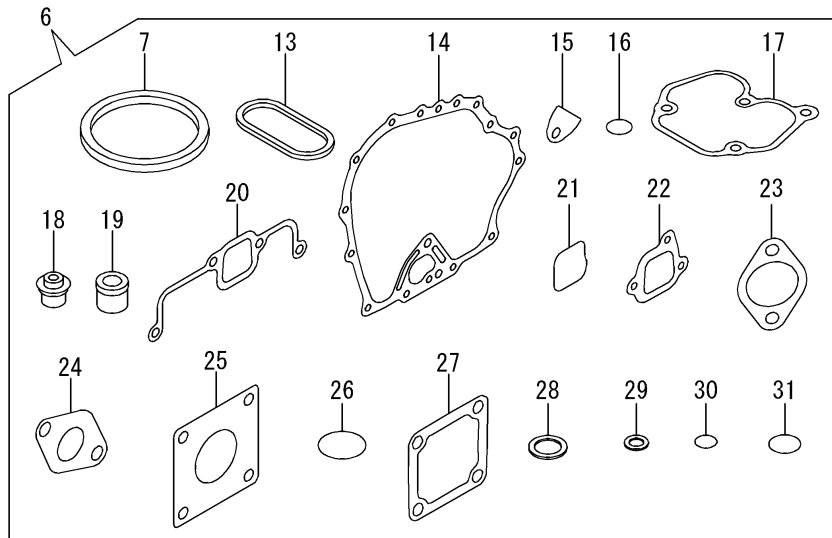
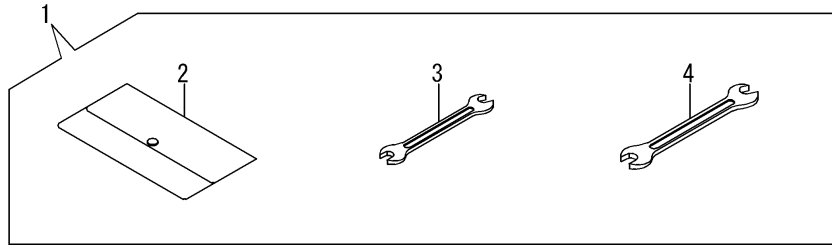
(D)=
(E)=
(F)=

No.	Lev.	Parts No.	Description	Q'ty						I	R
				(A)	(B)	(C)	(D)	(E)	(F)		
1	1	114399-78260	DYNAMO ASSY	1							
2	2	114399-78730	STATOR ASSY	1							
3	2	114399-78740	WHEEL, DYNAMO	1							
4	1	160710-78710	CLAMP, CORD	1							
5	1	114210-78800	SCREW,COUNTERSUNK M6	3							
6	1	26106-060122	BOLT, M6X 12 PLATED	1							
7	1	26106-060202	BOLT, M6X 20 PLATED	3							

Fig.24. TOOL & GASKET SET

(A)=L70V6-METMYI
(B)=
(C)=

(D)=
(E)=
(F)=



No.	Lev.	Parts No.	Description	Q'ty						I	R
				(A)	(B)	(C)	(D)	(E)	(F)		
1	1	114299-92590	BOX, TOOL	1							
2	2	114299-92600	BAG, TOOL	1							
3	2	114299-92710	WRENCH	1							
4	2	114299-92720	WRENCH	1							
6	1	114120-92600	GASKET SET	1							1
7	2	114295-01330	GASKET, HEAD	1							
13	2	114299-01380	O-RING	1							
14	2	114299-01410	GASKET, CRANK CASE	1							
15	2	114250-01841	GASKET	1							
16	2	114299-01950	O-RING, 18	2							
17	2	114771-11310	GASKET, BONNET	1							
18	2	114250-11341	SEAL, VALVE STEM	2							
19	2	114771-11461	GASKET, NOZZLE	1							
20	2	114771-12200	GASKET	1							
21	2	114288-12210	O-RING	1							
22	2	114299-12210	GASKET, AIR CLEANER	2							
23	2	114299-12920	GASKET, AIR CLEANER	1							
24	2	114299-13200	GASKET, MUFFLER	1							
25	2	114299-21980	GASKET	1							
26	2	114299-32570	O-RING	1							
27	2	129100-77510	GASKET	3							
28	2	22190-160002	WASHER, SEAL 16	2							
29	2	23414-080000	GASKET, 8X1.0	1							
30	2	24341-000150	O-RING, 1AS15.0	1							
31	2	24341-000224	O-RING, 1AS22.4	1							

Remarks

(1)Optional parts.

Parts No. Index

Parts No.	Fig. No.	Ref. No.
104200-66820	18	7
104200-66831	18	8
104200-66850	18	9
105010-11490	4	27
105198-07120	22	2
106100-77620	22	5
106100-77630	22	6
114120-92600	24	6
114210-01010	1	1
114210-01200	4	1
114210-01210	4	2
114210-01450	1	33
114210-03590	4	39
114210-07120	3	4
114210-07130	3	5
114210-07200	14	2
114210-11120	4	10
114210-11180	4	11
114210-11310	4	36
114210-11901	4	30
114210-11930	4	12
114210-11950	4	37
114210-12010	5	4
114210-12210	5	1
114210-12500	5	8
114210-12511	5	3
114210-12560	5	12
114210-12590	5	13
114210-12600	5	16
114210-12610	5	11
114210-14200	7	6
114210-14300	7	7
114210-14400	7	12
114210-23600	10	33
114210-23610	10	35
114210-23620	10	37
114210-28050	11	6
114210-45150	15	1
114210-45210	14	1
114210-45260	14	8
114210-45270	14	9
114210-45310	14	5
114210-45320	14	4
114210-45350	14	12
114210-45360	14	13
114210-55210	17	3
114210-55230	17	4
114210-55810	17	16
114210-59800	16	70
114210-59850	16	76

Parts No.	Fig. No.	Ref. No.
114210-61290	12	41
114210-61550	12	19
114210-66010	18	18
114210-66070	18	3
114210-66400	18	5
114210-66550	18	2
114210-78800	23	5
114211-11020	4	3
11421C-11100	4	8
11421C-11110	4	9
11421C-11250	4	14
11421C-11260	4	15
11421C-11650	4	16
11421C-11660	4	20
11421C-21830	8	1
11421C-55730	17	7
114220-22140	10	13
114220-22150	10	21
114239-55150	17	13
114239-59300	17	25
114240-11450	4	26
114240-11550	4	28
114240-22040	10	11
114240-22050	10	19
114240-55300	17	5
114249-53000	16	29
114250-01841	1	25
	24	15
114250-11240	4	18
		22
114250-11341	24	18
114250-32010	12	1
114250-53080	16	32
114250-53120	16	38
114250-53130	16	39
114250-53140	16	40
114250-53210	16	41
114250-55121	17	1
114250-55130	17	2
114250-55201	17	14
114250-66440	18	6
114268-13700	6	4
114288-12210	24	21
114295-01330	24	7
114295-61810	18	15
114295-61940	18	17
114295-61980	18	25
114295-66690	18	21
114299-01380	24	13
114299-01410	24	14

Parts No.	Fig. No.	Ref. No.
114299-01600	1	12
114299-01690	2	1
114299-01800	1	13
114299-01830	1	24
114299-01950	2	4
	24	16
114299-02030	1	43
114299-03640	4	42
114299-07101	3	2
114299-07111	3	3
114299-07160	3	6
114299-11600	4	29
114299-12210	24	22
114299-12300	5	2
114299-12920	24	23
114299-13200	6	1
	24	24
114299-13800	6	11
114299-21220	9	1
114299-21550	9	2
114299-21980	24	25
114299-32070	12	7
114299-32570	12	8
	24	26
114299-35110	12	12
114299-35150	1	38
114299-45220	14	3
		7
114299-45301	15	3
114299-45310	15	4
114299-45331	15	5
114299-45350	15	6
114299-55040	17	11
114299-55080	17	10
114299-55100	17	12
114299-61190	12	17
114299-61600	12	38
114299-66201	18	19
114299-92590	24	1
114299-92600	24	2
114299-92710	24	3
114299-92720	24	4
114339-53100	16	33
114350-02100	1	36
114350-02113	1	44
114350-02200	1	40
114350-02210	1	41
114350-11341	4	25
114351-77500	22	1
114351-77520	22	3

Parts No.	Fig. No.	Ref. No.
114351-77700	22	7
114362-77011	20	1
114368-13501	6	2
114371-77160	20	7
114371-77170	20	13
114371-77180	20	14
114371-79040	20	8
114371-79050	20	9
114371-79060	20	10
114371-79070	20	17
114380-23100	10	31
114381-77110	20	2
114381-77130	20	5
114381-77140	20	6
114381-77151	20	12
114395-01331	1	5
114399-01380	1	11
114399-01410	1	32
114399-21590	9	3
114399-21600	9	6
114399-22300	10	9
114399-45320	14	10
114399-45340	14	6
		11
114399-76251	19	2
114399-76510	19	3
114399-76521	19	4
114399-76531	19	6
114399-76540	19	7
114399-76550	19	8
114399-76560	19	9
114399-76570	19	10
114399-76580	19	11
114399-76590	19	14
114399-76620	19	12
114399-76630	19	13
114399-77400	21	3
114399-77540	21	4
114399-77550	21	1
114399-77710	21	6
114399-78000	21	5
114399-78260	23	1
114399-78730	23	2
114399-78740	23	3
114650-59060	17	27
114652-59310	17	29
114699-01760	2	2
114770-61520	12	18
114770-61610	12	39
114771-11310	24	17

Parts No. Index

Parts No.	Fig. No.	Ref. No.
114771-11461	24	19
114771-12200	24	20
114771-61830	18	16
114771-66600	18	20
114780-59010	17	22
114780-59060	17	23
114780-61090	18	23
118200-23200	10	32
119803-53400	16	42
121750-59890	17	30
124066-59100	17	28
124195-77770	20	16
124298-77020	20	15
124722-59050	17	26
129100-77510	24	27
160110-02220	1	45
		46
160710-78710	23	4
160842-21150	8	10
160842-21250	8	11
160842-21260	8	12
183250-07230	3	11
	18	1
183250-66070	18	4
22117-080000	17	17
22190-160002	2	5
	24	28
22242-000120	4	24
22252-000210	10	10
22312-030160	4	45
	12	9
22312-040080	1	26
22322-030200	12	31
		36
22351-025005	16	37
22351-040008	4	31
22451-060000	18	28
22512-040120	9	7
23080-007000	17	15
23080-014000	17	24
23414-080000	17	9
	24	29
23875-020000	1	27
23876-010000	13	1
24162-152116	1	47
24311-000125	17	6
24311-000180	18	27
24341-000150	24	30
24341-000224	12	14
	24	31

Parts No.	Fig. No.	Ref. No.
26023-040102	21	7
26106-060082	6	5
	14	14
	19	15
26106-060122	12	10
	19	16
	21	8
	23	6
26106-060142	6	6
	18	12
26106-060162	12	15
	17	18
26106-060202	5	18
	14	15
	21	9
	23	7
26106-060402	4	32
26106-060452	18	13
26106-060552	4	48
26106-080122	1	48
26106-080352	1	39
26106-080452	17	19
26106-100302	20	19
26216-080182	6	8
26226-060182	1	28
26226-060222	1	29
26226-060302	5	19
26226-060552	4	33
26306-080002	6	9
26366-060002	1	30
	4	34
	14	16
	17	20
26696-100002	18	10
26716-080002	20	20
26757-060002	18	11
26856-060002	4	19
		23
29220-083200	22	8
714210-14580	7	1
714210-22721	10	1
714210-28510	11	1
714210-61701	12	40
71421C-23010	10	28
714249-51400	16	1
714249-53100	16	28
714870-22502	10	3
X2114274200	20	18
X2114715500	20	4
X2114811000	20	3

Parts No.	Fig. No.	Ref. No.
X211485016	20	11

Parts No.	Fig. No.	Ref. No.
-----------	----------	----------