

0CC50-M00020EN

# P R E F A C E

This parts catalog is the 1st edition of L100N6FJ9Z1EAER for ERREPPI.

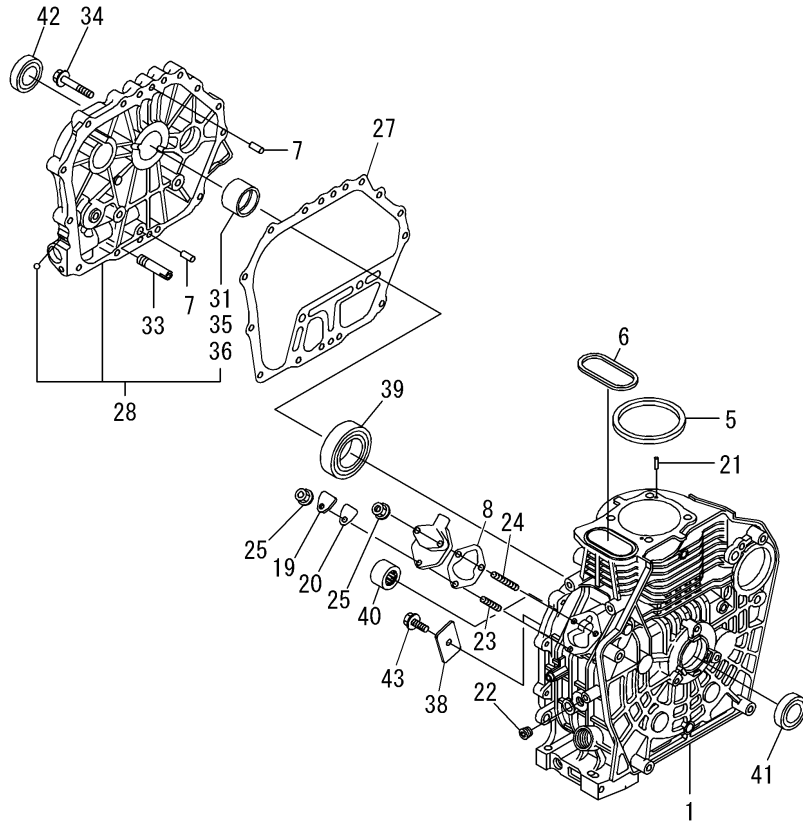
Published : November, 2013

# Contents

OCC50-M00020

Fig. No.	Fig. Name	Fig. No.	Fig. Name
<b>ENGINE</b>			
1.	CYLINDER BLOCK		
2.	DRAIN PLUG		
3.	LABEL		
4.	CYLINDER HEAD & BONNET		
5.	INTAKE MANIHOLD		
6.	EXHAUST MUFFLER		
7.	CAMSHAFT		
8.	CRANKSHAFT		
9.	FLYWHEEL		
10.	PISTON & CONNECTING ROD		
11.	BALANCER SHAFT		
12.	LUB.OIL PUMP & GOVERNOR		
13.	OIL PRESSURE SWITCH		
14.	COVER		
15.	COOLING FAN CASE		
16.	F.I.PUMP & F.I.VALVE		
17.	SPEED CONTROL DEVICE		
18.	RECOIL STARTER		
19.	STARTER MOTOR		
20.	ELECTRICAL EQUIPMENT		
21.	DYNAMO		
22.	ACCESSORIES		
23.	TOOL & GASKET SET		

Fig.1. CYLINDER BLOCK



(A)=L100N6FJ9Z1EAER  
(B)=  
(C)=

(D)=  
(E)=  
(F)=

No.	Lev.	Parts No.	Description	Q'ty						I	R
				(A)	(B)	(C)	(D)	(E)	(F)		
1	1	114310-01020	BLOCK ASSY, CYLINDER	1							
5	1	114695-01341	GASKET, HEAD 0.5	1							
6	1	114699-01380	O-RING	1							
7	1	114299-01600	PIN, 8X12	2							
8	1	114299-01800	SHIM SET	1							
19	1	114299-01830	COVER	1							
20	1	114250-01841	GASKET	1							
21	1	22312-040080	PIN, PARALLEL M4X 8	2							
22	1	23875-020000	PLUG, R02	1							
23	1	26226-060182	STUD, M6X 18	1							
24	1	26226-060222	STUD, M6X 22	2							
25	1	26366-060002	NUT, M6	3							
27	1	114699-01410	GASKET, CRANK CASE	1							
28	1	114310-01450	COVER(D, CRANK CASE	1							
31	2	114650-02100	BEARING, MAIN	1							1
33	1	114299-35150	PIPE, OIL INLET	1							
34	1	26106-080352	BOLT, M8X 35 PLATED	16							
35	1	114650-02200	BEARING, 0.25 US	1							2
36	1	114650-02210	BEARING, 0.50 US	1							3
38	1	114299-02030	RETAINER, BEARING	1							
39	1	114650-02150	BEARING, HR6308G3C3	1							
40	1	24162-152220	BEARING, 152220	1							
41	1	24423-355008	SEAL, OIL TC355008	1							
42	1	24423-355008	SEAL, OIL TC355008	1							
43	1	26106-080122	BOLT, M8X 12 PLATED	1							

Remarks

- (1) Spare parts.
- (2) Under sized(U.S.=0.25)parts.
- (3) Under sized(U.S.=0.50)parts.

Fig.2. DRAIN PLUG

(A)=L100N6FJ9Z1EAER  
 (B)=  
 (C)=

(D)=  
 (E)=  
 (F)=

No.	Lev.	Parts No.	Description	Q'ty						I	R
				(A)	(B)	(C)	(D)	(E)	(F)		
1	1	114299-01690	PLUG M16	2							
2	1	114699-01760	CAP ASSY	1							
4	2	114299-01950	O-RING, 18	1							
5	1	160110-01870	PLUG, RUBBER	1							
6	1	22190-160002	WASHER, SEAL 16	2							

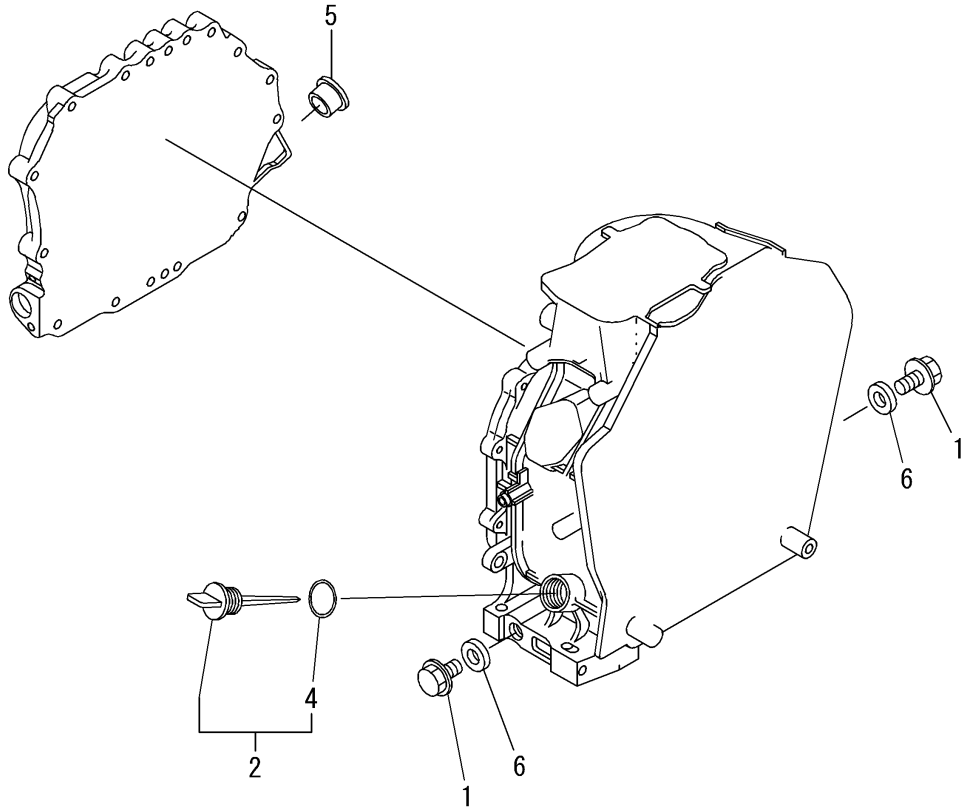
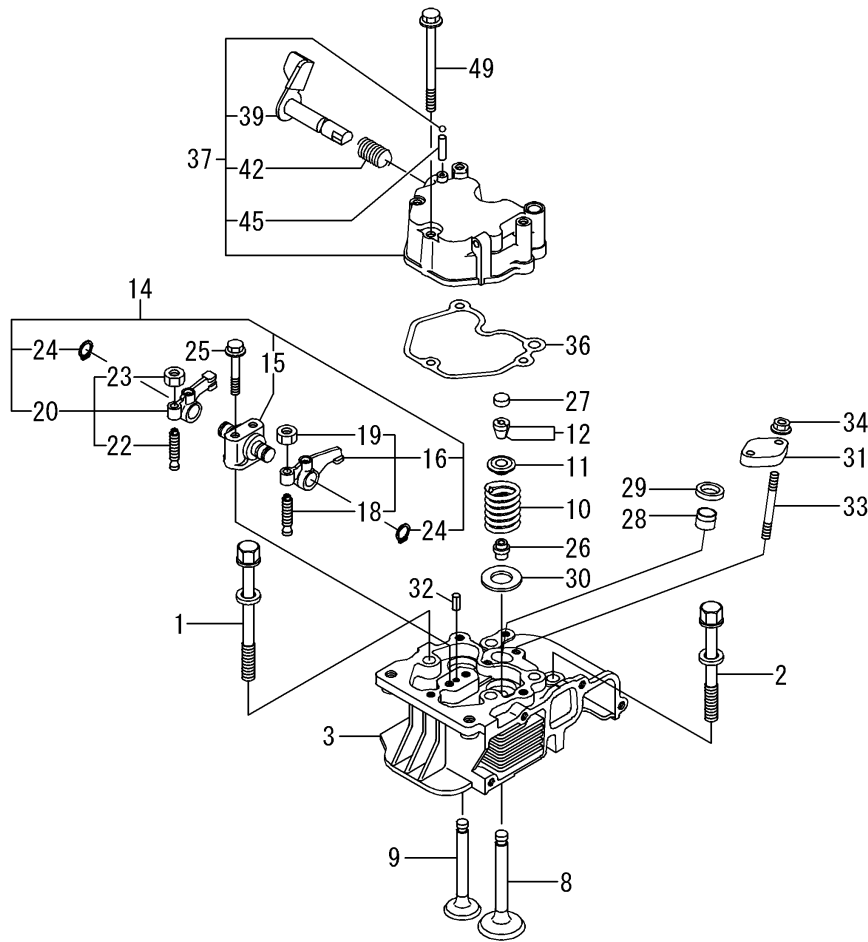




Fig.4. CYLINDER HEAD & BONNET

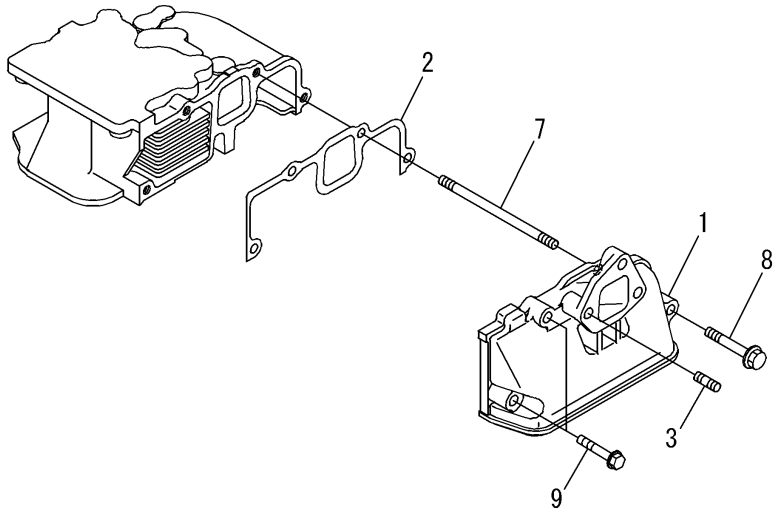


(A)=L100N6FJ9Z1EAER  
(B)=  
(C)=

(D)=  
(E)=  
(F)=

No.	Lev.	Parts No.	Description	Q'ty						I	R
				(A)	(B)	(C)	(D)	(E)	(F)		
1	1	114310-01200	BOLT, CYL.HEAD A	2							
2	1	114310-01210	BOLT, CYL.HEAD B	2							
3	1	11432C-11020	HEAD ASSY, CYLINDER	1							
8	1	11431C-11100	VALVE, INTAKE	1							
9	1	11431C-11110	VALVE, EXHAUST	1							
10	1	114310-11120	SPRING, VALVE	2							
11	1	114310-11180	RETAINER, SPRING	2							
12	1	114310-11930	COTTER ASSY	2							
14	1	11431C-11250	SUPPORT ASSY, ARM	1							
15	2	11431C-11260	SUPPORT, ROCKER ARM	1							
16	2	11431C-11650	ARM, ROCKER	1							
18	3	114250-11240	SCREW, VALVE ADJUST	1							
19	3	26856-060002	NUT, M6	1							
20	2	11431C-11660	ARM, ROCKER	1							
22	3	114250-11240	SCREW, VALVE ADJUST	1							
23	3	26856-060002	NUT, M6	1							
24	2	22242-000150	RING, 15	2							
25	1	114310-11290	BOLT, SUPPORT	2							
26	1	114650-11341	SEAL, VALVE STEM	2							
27	1	104211-11370	CAP, VALVE	2							
28	1	114240-11450	PROTECTOR, NOZZLE	1							
29	1	114240-11550	SEAT, NOZZLE	1							
30	1	114699-11600	WASHER	2							
31	1	114210-11901	RETAINER, NOZZLE	1							
32	1	22351-040008	PIN, SPRING 4.0X 8	1							
33	1	26226-060552	STUD, M6X 55	2							
34	1	26366-060002	NUT, M6	2							
36	1	114310-11310	GASKET, BONNET	1							
37	1	114310-11950	BONNET ASSY, HEAD	1							
39	2	114210-03590	DECOMPRESSION ASSY	1							
42	2	114299-03640	SPRING,DECOMPRESSION	1							
45	2	22312-030160	PIN, PARALLEL M3X16	1							
49	1	26106-060652	BOLT, M6X 65 PLATED	3							

Fig.5. INTAKE MANIHOLD



(A)=L100N6FJ9Z1EAER  
(B)=  
(C)=

(D)=  
(E)=  
(F)=

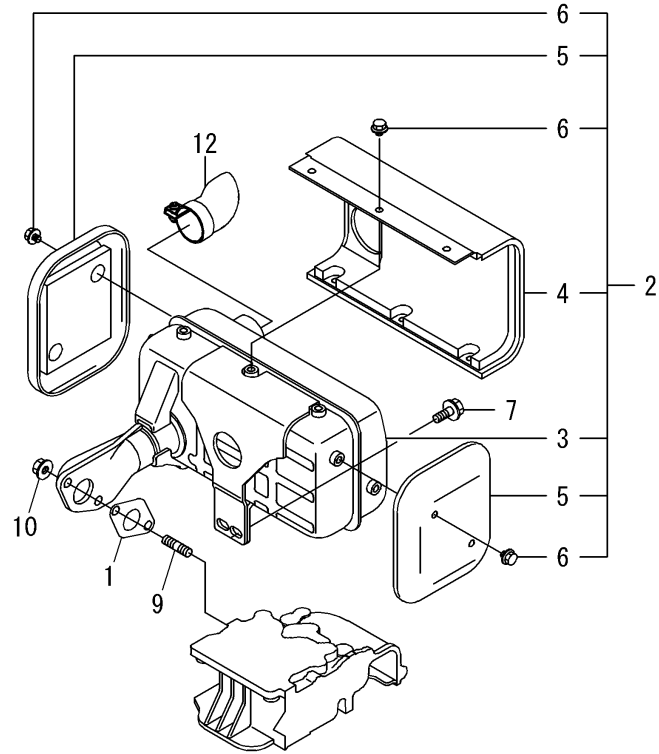
No.	Lev.	Parts No.	Description	Q'ty						I	R
				(A)	(B)	(C)	(D)	(E)	(F)		
1	1	114310-12050	MANIFOLD, INTAKE	1							
2	1	114310-12210	GASKET, AIR CLEANER	1							
3	1	26226-060142	STUD, M6X 14	2							
7	1	114310-45360	STUD BOLT, TOP COVER	1							
8	1	26106-060402	BOLT, M6X 40 PLATED	1							
9	1	26106-060352	BOLT, M6X 35 PLATED	2							



Fig.6. EXHAUST MUFFLER

(A)=L100N6FJ9Z1EAER  
(B)=  
(C)=

(D)=  
(E)=  
(F)=

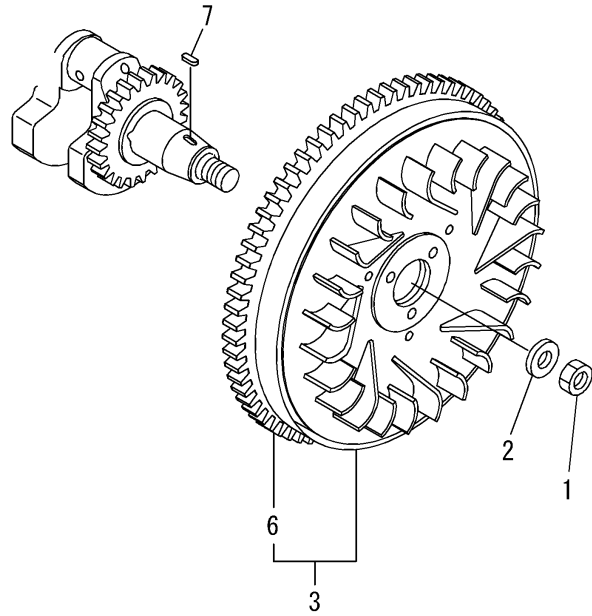


No.	Lev.	Parts No.	Description	Q'ty						I	R
				(A)	(B)	(C)	(D)	(E)	(F)		
1	1	114310-13200	GASKET, MUFFLER	1							
2	1	11431C-13550	MUFFLER ASSY	1							
3	2	11431C-13560	MUFFLER	1							
4	2	11431C-13700	COVER	1							
5	2	11431C-13710	COVER	2							
6	2	11431C-13720	BOLT, M6	10							
7	1	26106-080202	BOLT, M8X 20 PLATED	2							
9	1	26216-080182	STUD, M8X 18	2							
10	1	26306-080002	NUT, M8	2							
12	1	114320-13800	DEFLECTOR ASSY, EXH	1							





Fig.9. FLYWHEEL



(A)=L100N6FJ9Z1EAER  
(B)=  
(C)=

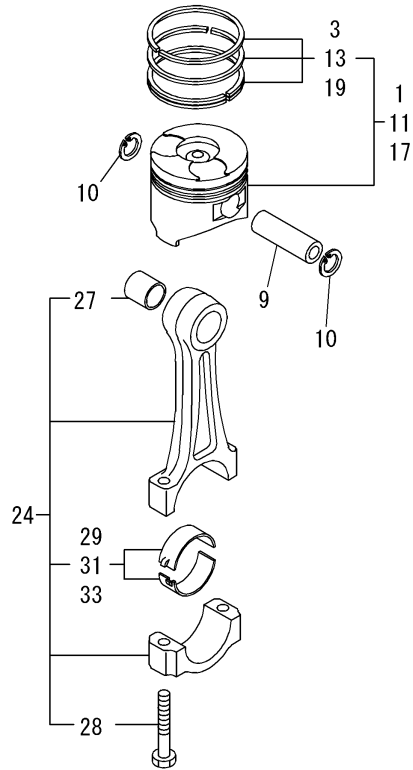
(D)=  
(E)=  
(F)=

No.	Lev.	Parts No.	Description	Q'ty						I	R
				(A)	(B)	(C)	(D)	(E)	(F)		
1	1	114699-21220	NUT	1							
2	1	114699-21550	WASHER	1							
3	1	114699-21600	FLYWHEEL ASSY, DE	1							
6	2	114699-21630	RING, GEAR	1							
7	1	22512-050140	KEY, 5X 14	1							

Fig.10. PISTON & CONNECTING ROD

(A)=L100N6FJ9Z1EAER  
(B)=  
(C)=

(D)=  
(E)=  
(F)=



No.	Lev.	Parts No.	Description	Q'ty						I	R
				(A)	(B)	(C)	(D)	(E)	(F)		
1	1	714320-22720	PISTON W/RINGS (D)	1							
3	2	714310-22500	RING SET, PISTON	1							
9	1	114699-22300	PIN, PISTON D=23	1							
10	1	114310-22500	SEEGER RING, J23	2							
11	1	714320-22620	PISTON W/RING .25OS	1							1
13	2	714310-22540	RING SET O.S=0.25	1							1
17	1	714320-22580	PISTON W/RING .50OS	1							2
19	2	714310-22550	RING SET O.S=0.50	1							2
24	1	71431C-23010	ROD ASSY, CONNECTING	1							
27	3	124060-23100	BEARING, PISTON PIN	1							
28	3	114310-23200	BOLT, CONNECTING ROD	2							
29	2	714650-23600	BEARING, CRANK PIN	1							
31	1	714650-23610	BEARING ASSY, 0.25	1							3
33	1	714650-23620	BEARING, 0.50 US	1							4

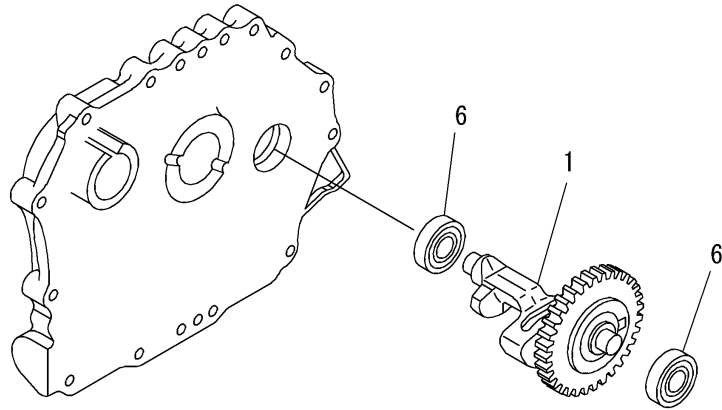
Remarks

- (1)Over sized(O.S=0.25)parts.
- (2)Over sized(O.S=0.50)parts.
- (3)Under sized(U.S=0.25)parts.
- (4)Under sized(U.S=0.50)parts.

Fig.11. BALANCER SHAFT

(A)=L100N6FJ9Z1EAER  
 (B)=  
 (C)=

(D)=  
 (E)=  
 (F)=



No.	Lev.	Parts No.	Description	Q'ty						I	R
				(A)	(B)	(C)	(D)	(E)	(F)		
1	1	714310-28510	SHAFT ASSY, BALANCER	1							
6	1	24101-063040	BEARING, BALL 6304C3	2							

Fig.12. LUB.OIL PUMP & GOVERNOR

(A)=L100N6FJ9Z1EAER

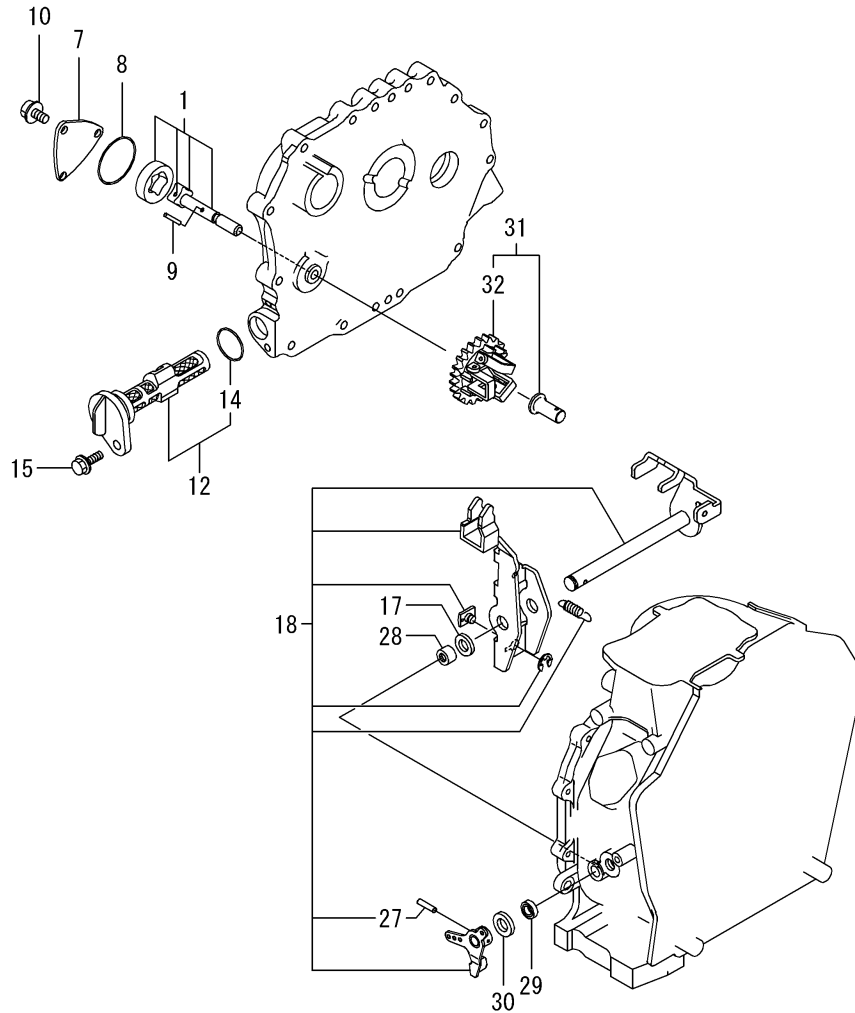
(B)=

(C)=

(D)=

(E)=

(F)=



No.	Lev.	Parts No.	Description	Q'ty						I	R
				(A)	(B)	(C)	(D)	(E)	(F)		
1	1	114650-32010	PUMP ASSY, OIL	1							
7	1	114299-32070	COVER	1							
8	1	114299-32570	O-RING	1							
9	1	22312-030160	PIN, PARALLEL M3X16	1							
10	1	26106-060122	BOLT, M6X 12 PLATED	3							
12	1	114299-35110	FILTER ASSY, OIL	1							
14	2	24341-000224	O-RING, 1AS22.4	1							
15	1	26106-060162	BOLT, M6X 16 PLATED	1							
17	1	114299-61190	WASHER	1							
18	1	114311-61500	LEVER ASSY, GOVERNOR	1							1
27	2	22322-030200	PIN, TAPER 3X20	1							
28	1	114770-61520	BEARING, NEEDLE	2							
29	1	114299-61600	SEAL, OIL	1							
30	1	114770-61610	WASHER, THRUST	1							
31	1	714210-61701	GOVERNOR ASSY	1							
32	2	114210-61290	WEIGHT ASSY, GOVERNOR	1							

Remarks

(1) On a guarantee of quality component parts shall not be sold.

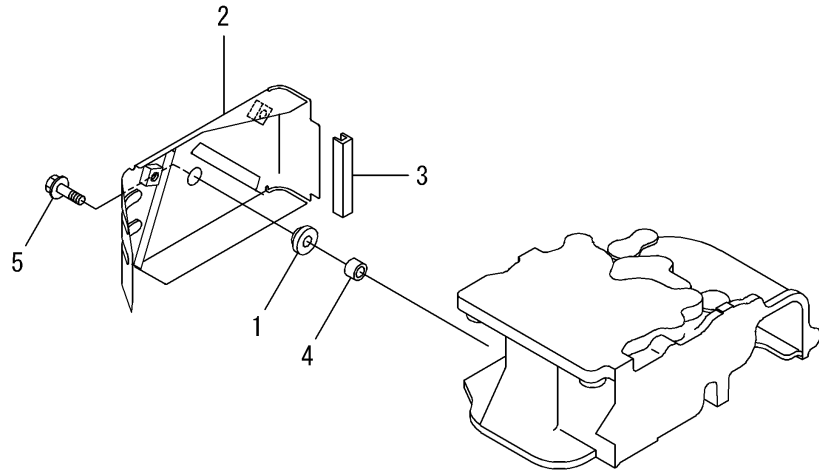




Fig.14. COVER

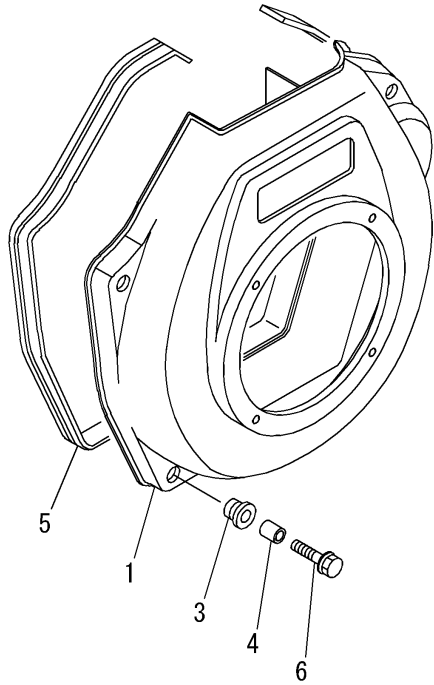
(A)=L100N6FJ9Z1EAER  
(B)=  
(C)=

(D)=  
(E)=  
(F)=



No.	Lev.	Parts No.	Description	Q'ty						I	R
				(A)	(B)	(C)	(D)	(E)	(F)		
1	1	114299-45220	GROMMET	1							
2	1	114310-45260	COVER B, SIDE	1							
3	1	114399-45320	RUBBER, SEAL	1							
4	1	114399-45340	COLLAR	1							
5	1	26106-060202	BOLT, M6X 20 PLATED	1							

Fig.15. COOLING FAN CASE



(A)=L100N6FJ9Z1EAER  
(B)=  
(C)=

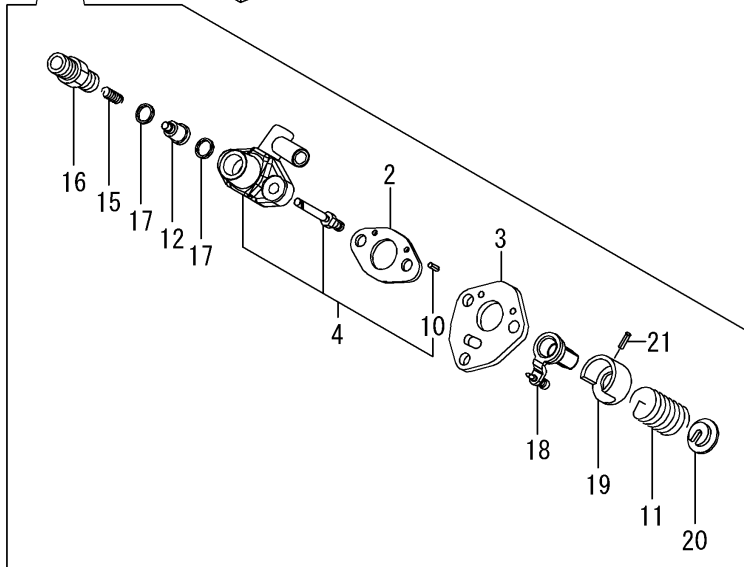
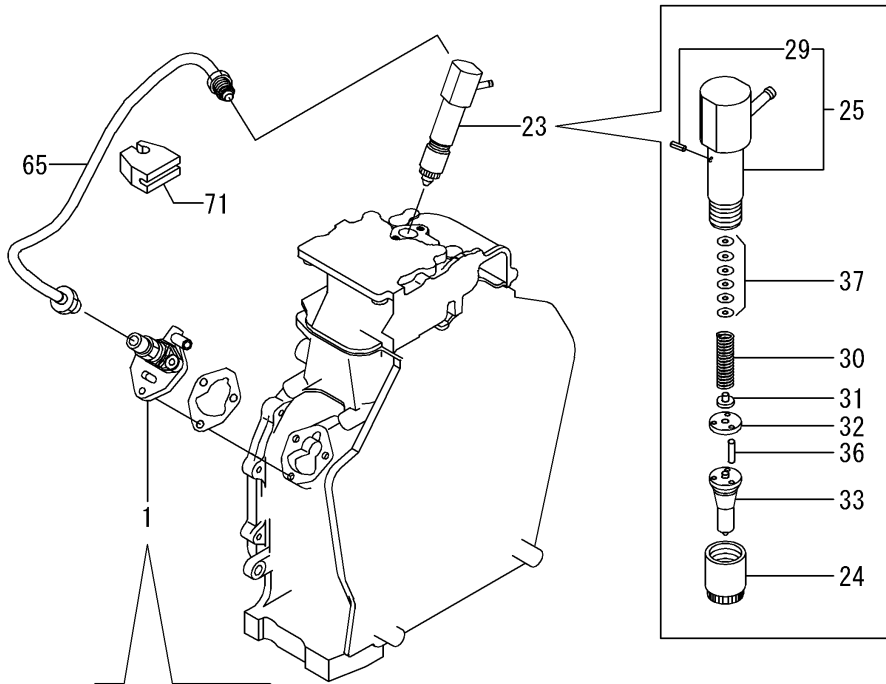
(D)=  
(E)=  
(F)=

No.	Lev.	Parts No.	Description	Q'ty						I	R
				(A)	(B)	(C)	(D)	(E)	(F)		
1	1	114310-45150	CASE, COOLING FAN	1							
3	1	114299-45301	RUBBER, CUSHION	4							
4	1	114299-45310	COLLAR	4							
5	1	114699-45331	SEAL, FAN CASE	1							
6	1	114299-45350	BOLT, FAN CASE	4							

Fig.16. F.I.PUMP & F.I.VALVE

(A)=L100N6FJ9Z1EAER  
(B)=  
(C)=

(D)=  
(E)=  
(F)=



No.	Lev.	Parts No.	Description	Q'ty						I	R
				(A)	(B)	(C)	(D)	(E)	(F)		
1	1	714339-51200	F.I.PUMP ASSY	1							
2	2	105546-51020	GASKET	1							
3	2	114250-51080	PLATE	1							
4	2	114339-51100	BODY ASSY, PUMP	1							
10	4	22351-020006	PIN, SPRING 2.0X 6	2							
11	2	114250-51160	SPRING, PLUNGER	1							
12	2	114650-51300	VALVE ASSY, DELIVERY	1							
15	2	105546-51330	SPRING, DELIVERY	1							
16	2	114250-51340	HOLDER, DELIVERY	1							
17	2	124550-51350	GASKET, DELIVERY	2							
18	2	114250-51500	LEVER, CONTROL	1							
19	2	114250-51640	SEAT, SPRING A	1							
20	2	114250-51650	SEAT, SPRING B	1							
21	2	22351-030008	PIN, SPRING 3.0X 8	1							
23	1	714339-53200	VALVE ASSY, INJECTION	1							
24	2	114250-53080	NUT, NOZZLE D16.95	1							
25	2	114339-53100	HOLDER ASSY, NOZZLE	1							
29	3	22351-025005	PIN, SPRING 2.5X 6	1							
30	2	114250-53120	SPRING, NOZZLE	1							
31	2	114250-53130	SEAT, SPRING	1							
32	2	114250-53140	PLATE	1							
33	2	114339-53200	VALVE ASSY, INJECTION	1							
36	2	114250-53210	PIN	2							
37	2	119803-53400	SHIM SET	1							
65	1	114310-59800	PIPE ASSY, INJECTION	1							
71	1	114699-59850	SUPPORT, PIPE	1							

Fig.17. SPEED CONTROL DEVICE

(A)=L100N6FJ9Z1EAER

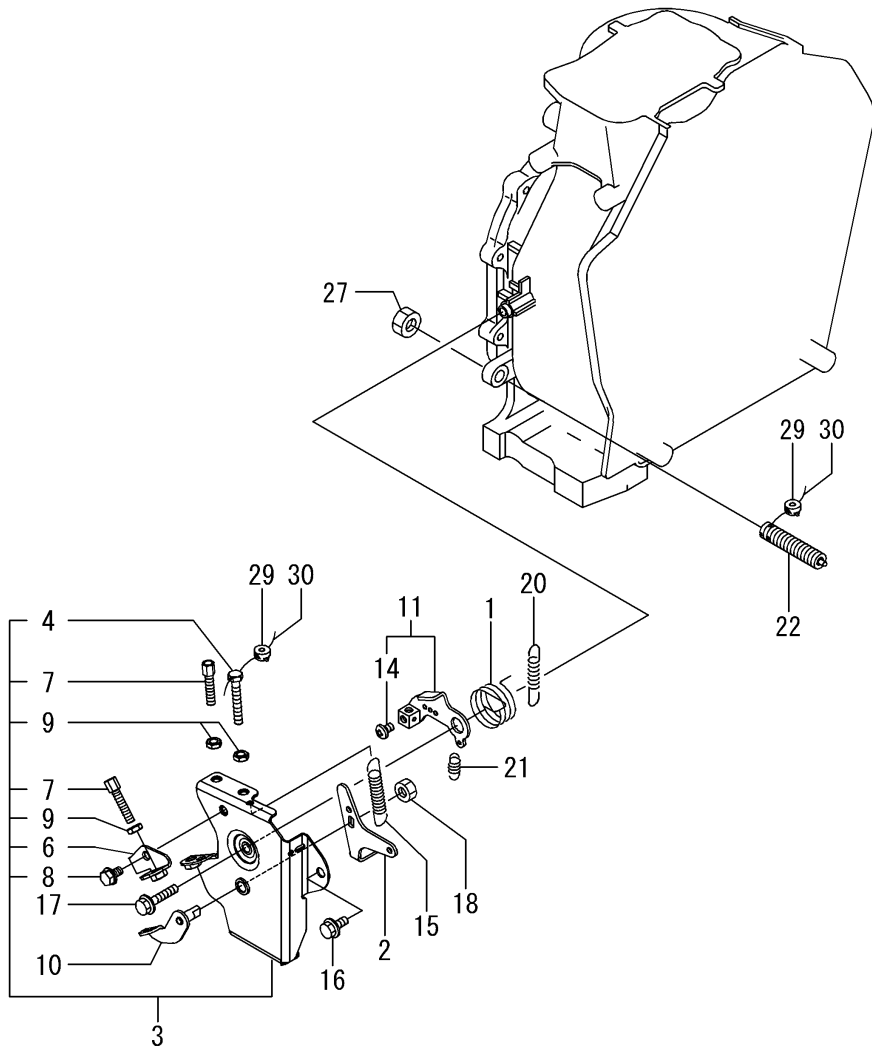
(B)=

(C)=

(D)=

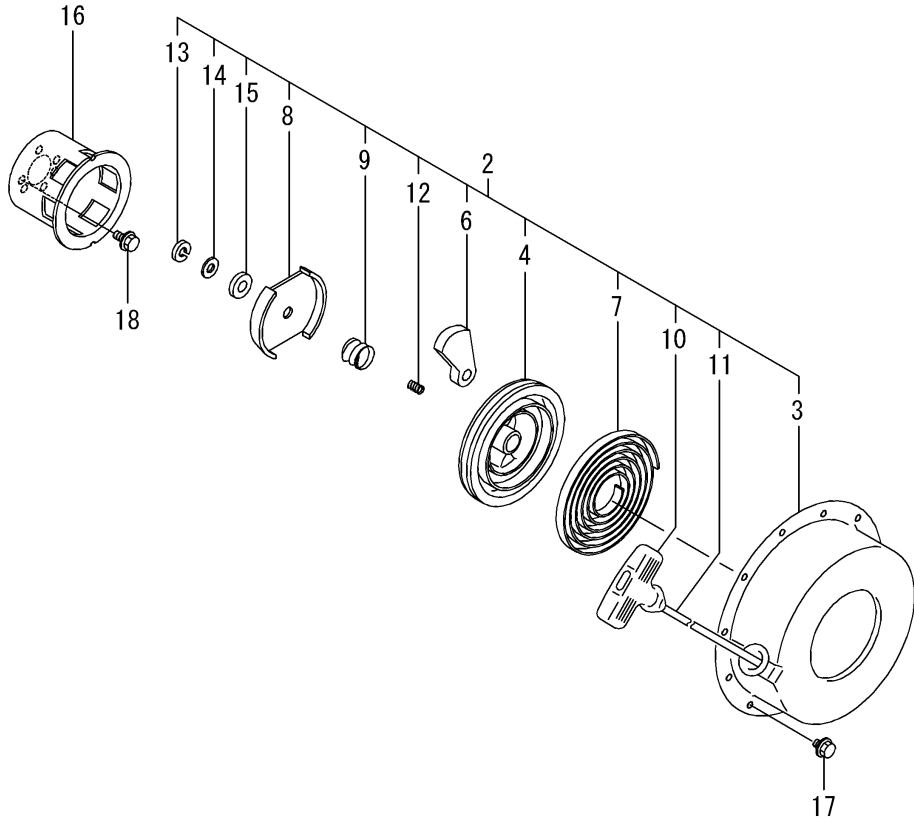
(E)=

(F)=



No.	Lev.	Parts No.	Description	Q'ty						I	R
				(A)	(B)	(C)	(D)	(E)	(F)		
1	1	114299-66250	SPRING, RETURN	1							
2	1	114299-66920	LEVER, STOP	1							
3	1	714299-66921	SPEED CONTROL TP 02	1							
4	2	114299-66440	BOLT, ADJUSTING	1							
6	2	114299-66950	STAY, STOP CABLE	1							
7	2	114299-67080	BOLT, ADJUSTING	2							
8	2	26106-060102	BOLT, M6X 10 PLATED	1							
9	2	26857-060002	NUT, M6	3							
10	1	114299-66932	LEVER, STOP-IN	1							
11	1	114299-66940	LEVER ASSY,REGULATOR	1							
14	2	26117-050089	BOLT, M5X 8 PLATED	1							
15	1	114310-66950	SPRING, STOP TILLER	1							
16	1	26106-060142	BOLT, M6X 14 PLATED	1							
17	1	26106-060302	BOLT, M6X 30 PLATED	1							
18	1	26757-080002	NUT, LOCK M8	1							
20	1	114320-66010	SPRING, REGULATOR	1							
21	1	114299-66201	SPRING, RETURN	1							
22	1	114320-66600	LIMITER ASSY, FUEL	1							
27	1	26776-100002	NUT, LOCK M10	1							
29	1	114780-61090	TIN	2							
30	1	22451-060000	WIRE, 0.6	2							

Fig.18. RECOIL STARTER



(A)=L100N6FJ9Z1EAER  
(B)=  
(C)=

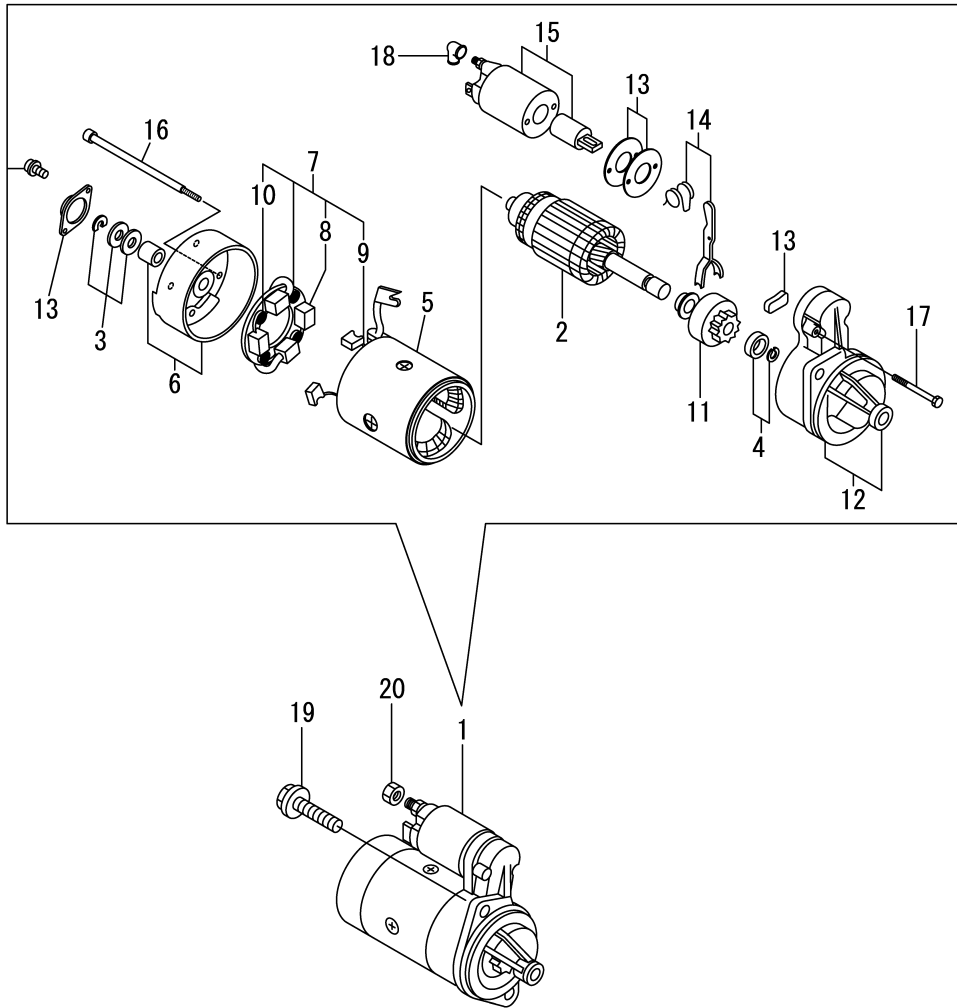
(D)=  
(E)=  
(F)=

No.	Lev.	Parts No.	Description	Q'ty						I	R
				(A)	(B)	(C)	(D)	(E)	(F)		
2	2	114699-76251	RECOIL ASSY	1							
3	3	114699-76510	CASE, STARTER	1							
4	3	114699-76521	REEL, RECOIL	1							
6	3	114699-76531	RATCHET	2							
7	3	114399-76540	SPRING, SPIRAL	1							
8	3	114699-76551	GUIDE, RATCHET	1							
9	3	114699-76560	SPRING, FRICTION	1							
10	3	114399-76620	KNOB, STARTER	1							
11	3	114699-76630	ROPE, STARTER	1							
12	3	114699-76650	SPRING, RETURN	1							
13	3	114699-76660	CIRCLIP	1							
14	3	114699-76670	WASHER	1							
15	3	114699-76680	WASHER	1							
16	2	114699-76592	PULLEY, STARTER	1							
17	1	26106-060082	BOLT, M6X 8 PLATED	4							
18	1	26106-060122	BOLT, M6X 12 PLATED	3							

Fig.19. STARTER MOTOR

(A)=L100N6FJ9Z1EAER  
(B)=  
(C)=

(D)=  
(E)=  
(F)=



No.	Lev.	Parts No.	Description	Q'ty						I	R
				(A)	(B)	(C)	(D)	(E)	(F)		
1	1	114362-77011	STARTER	1							
2	2	114381-77110	ARMATURE	1							
3	2	X2114811000	WASHER KIT, THRUST	1							
4	2	X2114715500	STOPPER SET	1							
5	2	114381-77130	COIL ASSY, FIELD	1							
6	2	114381-77140	COVER	1							
7	2	114371-77160	HOLDER ASSY, BRUSH	1							
8	3	114371-79040	BRUSH	2							
9	3	114371-79050	BRUSH	1							
10	3	114371-79060	SPRING	4							
11	2	X211485016	PINION ASSY	1							
12	2	114381-77151	CASE ASSY	1							
13	2	114371-77170	COVER ASSY, DUST	1							
14	2	114371-77180	LEVER KIT, SHIFT	1							
15	2	124298-77020	SWITCH, MAGNETIC	1							
16	2	124195-77770	BOLT, THROUGH	2							
17	2	114371-79070	BOLT	2							
18	2	X2114274200	COVER	1							
19	1	26106-100302	BOLT, M10X 30 PLATED	2							
20	1	26716-080002	NUT, M8	1							

Fig.20. ELECTRICAL EQUIPMENT

(A)=L100N6FJ9Z1EAER  
(B)=  
(C)=

(D)=  
(E)=  
(F)=

No.	Lev.	Parts No.	Description	Q'ty						I	R
				(A)	(B)	(C)	(D)	(E)	(F)		
1	1	114399-77550	REG. & HARNESS ASSY	1							
3	3	114399-77400	BRACKET, HARNESS	1							
4	3	114399-77540	HARNESS, WIRE	1							
5	4	114399-78000	FUSE(20A	1							
6	2	114399-77710	REGULATOR	1							
7	2	26023-040102	SCREW, M4X10	2							
8	1	26106-060122	BOLT, M6X 12 PLATED	2							
9	1	26106-060202	BOLT, M6X 20 PLATED	2							

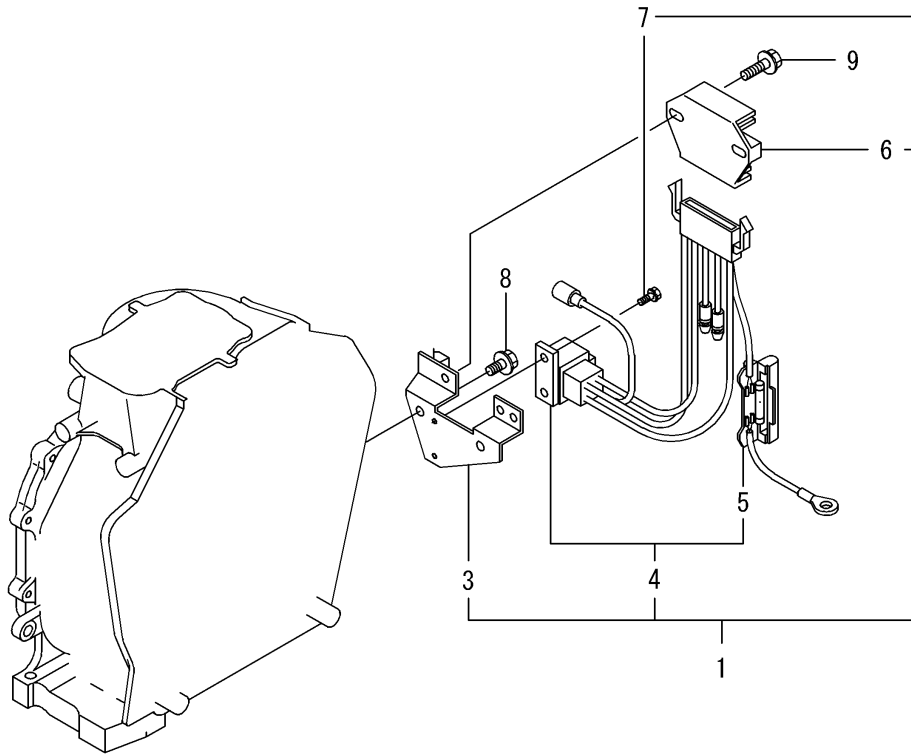
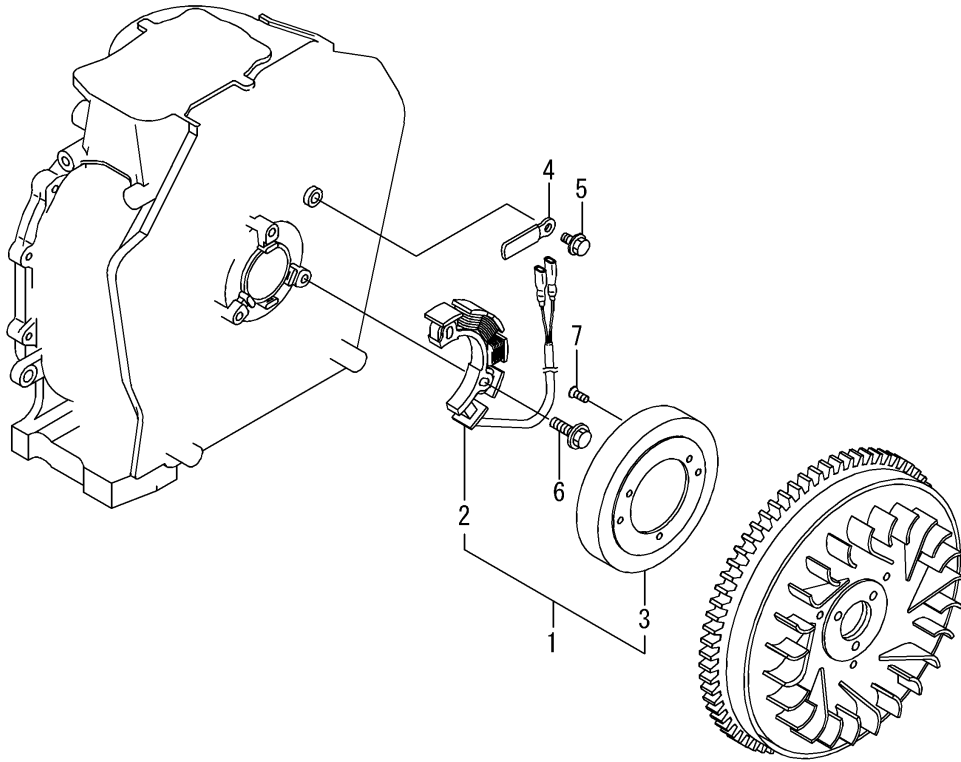


Fig.21. DYNAMO

(A)=L100N6FJ9Z1EAER  
 (B)=  
 (C)=

(D)=  
 (E)=  
 (F)=



No.	Lev.	Parts No.	Description	Q'ty						I	R
				(A)	(B)	(C)	(D)	(E)	(F)		
1	1	114399-78260	DYNAMO ASSY	1							
2	2	114399-78730	STATOR ASSY	1							
3	2	114399-78740	WHEEL, DYNAMO	1							
4	1	160710-78710	CLAMP, CORD	1							
5	1	114210-78800	SCREW,COUNTERSUNK M6	3							
6	1	26106-060122	BOLT, M6X 12 PLATED	1							
7	1	26106-060202	BOLT, M6X 20 PLATED	3							

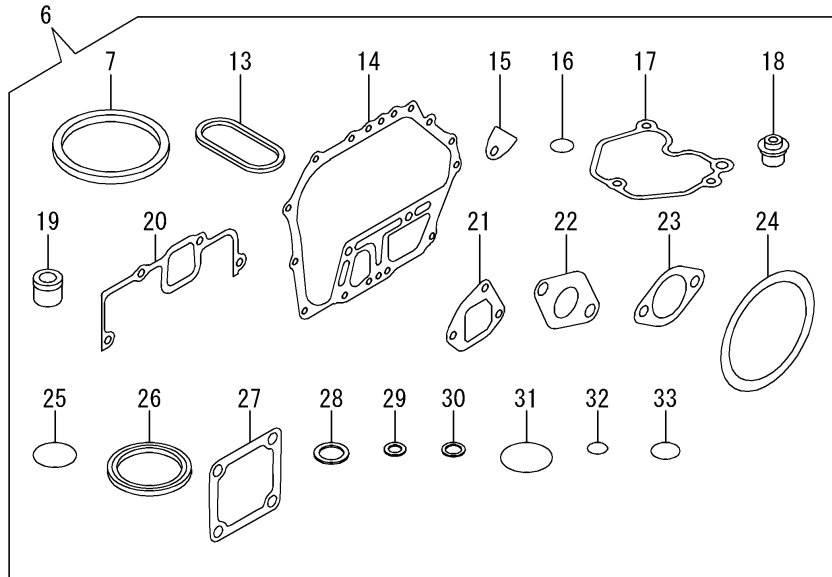
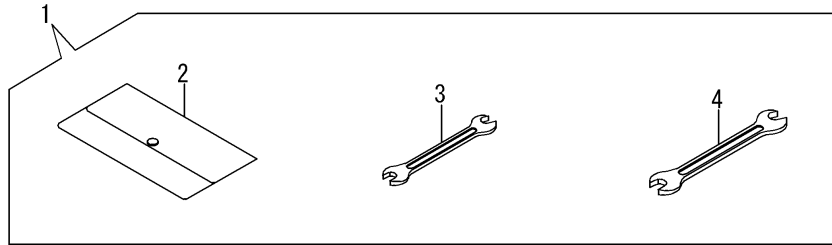




Fig.23. TOOL & GASKET SET

(A)=L100N6FJ9Z1EAER  
(B)=  
(C)=

(D)=  
(E)=  
(F)=



No.	Lev.	Parts No.	Description	Q'ty						I	R
				(A)	(B)	(C)	(D)	(E)	(F)		
1	1	114299-92590	BOX, TOOL	1							
2	2	114299-92600	BAG, TOOL	1							
3	2	114299-92710	WRENCH	1							
4	2	114299-92720	WRENCH	1							
6	1	114320-92600	GASKET SET	1							1
7	2	114695-01331	GASKET, HEAD	1							
13	2	114699-01380	O-RING	1							
14	2	114699-01410	GASKET, CRANK CASE	1							
15	2	114250-01841	GASKET	1							
16	2	114299-01950	O-RING, 18	2							
17	2	114310-11310	GASKET, BONNET	1							
18	2	114650-11341	SEAL, VALVE STEM	2							
19	2	114771-11461	GASKET, NOZZLE	1							
20	2	114310-12210	GASKET, AIR CLEANER	1							
21	2	114699-12210	GASKET, AIR CLEANER	2							
22	2	114310-13200	GASKET, MUFFLER	1							
23	2	183671-13211	GASKET, PIPE	1							
24	2	114399-21980	GASKET	1							
25	2	114299-32570	O-RING	1							
26	2	160393-55050	GASKET	4							
27	2	129100-77510	GASKET	3							
28	2	22190-160002	WASHER, SEAL 16	2							
29	2	23414-080000	GASKET, 8X1.0	1							
30	2	23414-120000	GASKET, 12X1.0	1							
31	2	24311-000400	O-RING, 1AP40.0	1							
32	2	24341-000150	O-RING, 1AS15.0	2							
33	2	24341-000224	O-RING, 1AS22.4	1							

Remarks

(1)Optional parts.

N:Old  $\xrightarrow{\text{Yes}}$  New, Q:Old  $\xrightarrow{\text{No}}$  New, R:Old  $\xrightarrow{\text{Yes}}$  New, S:Old  $\xrightarrow{\text{No}}$  New, W:Add, Z:Discontinued, F:Interchangeable by set, K:Q'ty Change

## Parts No. Index

Parts No.	Fig. No.	Ref. No.
104211-11370	4	27
105546-51020	16	2
105546-51330	16	15
114210-03590	4	39
114210-11901	4	31
114210-14300	7	7
114210-61290	12	32
114210-78800	21	5
114220-07130	3	8
114240-11450	4	28
114240-11550	4	29
114250-01841	1	20
	23	15
114250-11240	4	18
		22
114250-51080	16	3
114250-51160	16	11
114250-51340	16	16
114250-51500	16	18
114250-51640	16	19
114250-51650	16	20
114250-53080	16	24
114250-53120	16	30
114250-53130	16	31
114250-53140	16	32
114250-53210	16	36
114299-01600	1	7
114299-01690	2	1
114299-01800	1	8
114299-01830	1	19
114299-01950	2	4
	23	16
114299-02030	1	38
114299-03640	4	42
114299-07111	3	2
114299-07160	3	3
114299-32070	12	7
114299-32570	12	8
	23	25
114299-35110	12	12
114299-35150	1	33
114299-45220	14	1
114299-45301	15	3
114299-45310	15	4
114299-45350	15	6
114299-59850	22	5
114299-61190	12	17
114299-61600	12	29
114299-66201	17	21
114299-66250	17	1

Parts No.	Fig. No.	Ref. No.
114299-66440	17	4
114299-66920	17	2
114299-66932	17	10
114299-66940	17	11
114299-66950	17	6
114299-67080	17	7
114299-92590	23	1
114299-92600	23	2
114299-92710	23	3
114299-92720	23	4
114310-01020	1	1
114310-01200	4	1
114310-01210	4	2
114310-01450	1	28
114310-11120	4	10
114310-11180	4	11
114310-11290	4	25
114310-11310	4	36
	23	17
114310-11930	4	12
114310-11950	4	37
114310-12050	5	1
114310-12210	5	2
	23	20
114310-13200	6	1
	23	22
114310-14200	7	6
114310-14400	7	12
114310-22500	10	10
114310-23200	10	28
114310-45150	15	1
114310-45260	14	2
114310-45360	5	7
114310-59800	16	65
114310-66950	17	15
114311-61500	12	18
11431C-11100	4	8
11431C-11110	4	9
11431C-11250	4	14
11431C-11260	4	15
11431C-11650	4	16
11431C-11660	4	20
11431C-13550	6	2
11431C-13560	6	3
11431C-13700	6	4
11431C-13710	6	5
11431C-13720	6	6
11431C-21760	8	1
114320-13800	6	12
114320-66010	17	20

Parts No.	Fig. No.	Ref. No.
114320-66600	17	22
114320-92600	23	6
11432C-11020	4	3
114339-51100	16	4
114339-53100	16	25
114339-53200	16	33
114351-77520	22	1
114362-77011	19	1
114371-77160	19	7
114371-77170	19	13
114371-77180	19	14
114371-79040	19	8
114371-79050	19	9
114371-79060	19	10
114371-79070	19	17
114381-77110	19	2
114381-77130	19	5
114381-77140	19	6
114381-77151	19	12
114399-21980	22	3
	23	24
114399-45320	14	3
114399-45340	14	4
114399-76540	18	7
114399-76620	18	10
114399-77400	20	3
114399-77540	20	4
114399-77550	20	1
114399-77710	20	6
114399-78000	20	5
114399-78260	21	1
114399-78730	21	2
114399-78740	21	3
114650-02100	1	31
114650-02150	1	39
114650-02200	1	35
114650-02210	1	36
114650-11341	4	26
	23	18
114650-32010	12	1
114650-51300	16	12
114695-01331	23	7
114695-01341	1	5
114699-01380	1	6
	23	13
114699-01410	1	27
	23	14
114699-01760	2	2
114699-11600	4	30
114699-12210	23	21

Parts No.	Fig. No.	Ref. No.
114699-21220	9	1
114699-21550	9	2
114699-21600	9	3
114699-21630	9	6
114699-22300	10	9
114699-45331	15	5
114699-59850	16	71
114699-76251	18	2
114699-76510	18	3
114699-76521	18	4
114699-76531	18	6
114699-76551	18	8
114699-76560	18	9
114699-76592	18	16
114699-76630	18	11
114699-76650	18	12
114699-76660	18	13
114699-76670	18	14
114699-76680	18	15
114770-61520	12	28
114770-61610	12	30
114771-11461	23	19
114780-61090	17	29
119803-53400	16	37
124060-23100	10	27
124195-77770	19	16
124298-77020	19	15
124550-51350	16	17
129100-77510	23	27
160110-01870	2	5
160393-55050	23	26
160710-78710	21	4
183250-39450	13	1
183671-13211	23	23
22190-160002	2	6
	23	28
22242-000150	4	24
22312-030160	4	45
	12	9
22312-040080	1	21
22322-030200	12	27
22351-020006	16	10
22351-025005	16	29
22351-030008	16	21
22351-040008	4	32
22451-060000	17	30
22512-050140	9	7
23414-080000	23	29
23414-120000	23	30
23875-020000	1	22

## Parts No. Index

Parts No.	Fig. No.	Ref. No.
24101-063040	11	6
24162-152220	1	40
24311-000400	23	31
24341-000150	23	32
24341-000224	12	14
	23	33
24423-355008	1	41
		42
26023-040102	20	7
26106-060082	18	17
26106-060102	17	8
26106-060122	12	10
	18	18
	20	8
	21	6
26106-060142	17	16
26106-060162	12	15
26106-060202	14	5
	20	9
	21	7
26106-060302	17	17
26106-060352	5	9
26106-060402	5	8
26106-060652	4	49
26106-080122	1	43
26106-080202	6	7
26106-080352	1	34
26106-100302	19	19
26117-050089	17	14
26216-080182	6	9
26226-060142	5	3
26226-060182	1	23
26226-060222	1	24
26226-060552	4	33
26306-080002	6	10
26366-060002	1	25
	4	34
26716-080002	19	20
26757-080002	17	18
26776-100002	17	27
26856-060002	4	19
		23
26857-060002	17	9
714210-61701	12	31
714299-66921	17	3
714310-22500	10	3
714310-22540	10	13
714310-22550	10	19
714310-28510	11	1
71431C-23010	10	24

Parts No.	Fig. No.	Ref. No.
714320-22580	10	17
714320-22620	10	11
714320-22720	10	1
71432C-14010	7	1
714339-51200	16	1
714339-53200	16	23
714650-23600	10	29
714650-23610	10	31
714650-23620	10	33
X2114274200	19	18
X2114715500	19	4
X2114811000	19	3
X211485016	19	11

Parts No.	Fig. No.	Ref. No.
-----------	----------	----------

Parts No.	Fig. No.	Ref. No.
-----------	----------	----------