

0CC10-M30600EN

# P R E F A C E

1. This Parts Catalog carries all parts incorporated in YANMAR Model L100N6-GWYYI, L100N6-GEWYYI engine manufactured since July, 2013.
2. Each illustration corresponds to the parts list on the following page.
3. When ordering parts, clearly write down the engine model and serial number, as well as the name and number of each part in your order sheet. This will help insure reliable delivery of the parts you have ordered.

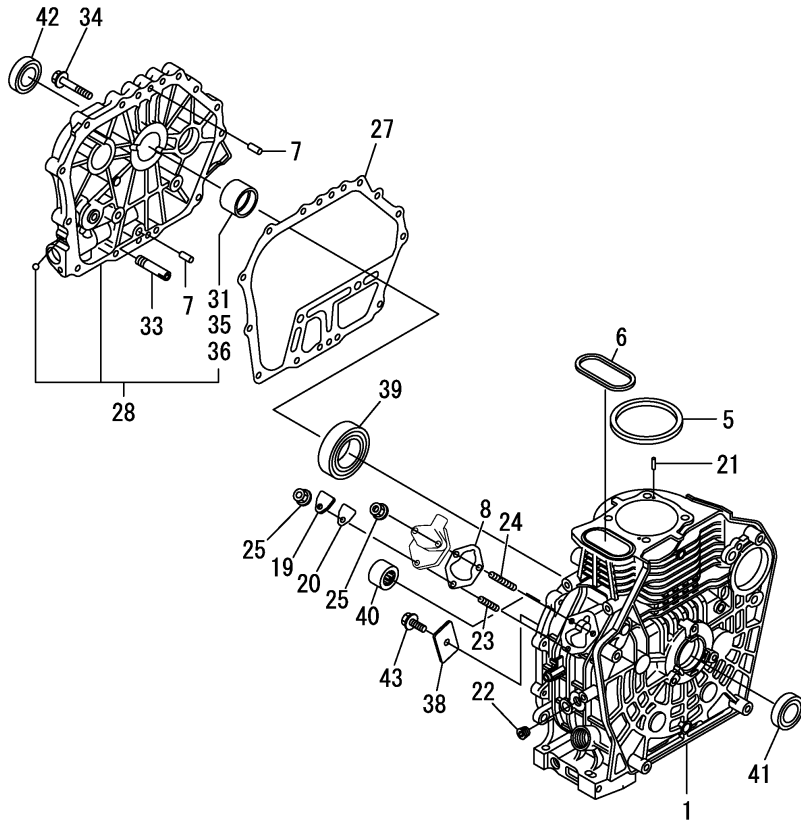
# Contents

OCC10-M30600

Fig. No.	Fig. Name
L100N6-GWYYI/-GEWYYI	
1.	CYLINDER BLOCK
2.	DRAIN PLUG
3.	DRAIN PLUG
4.	REMOTE DECOMP DEVICE
5.	LABEL
6.	CYLINDER HEAD & BONNET
7.	AIR CLEANER
8.	EXHAUST MUFFLER
9.	CAMSHAFT
10.	CRANKSHAFT
11.	FLYWHEEL
12.	FLYWHEEL
13.	PISTON & CONNECTING ROD
14.	BALANCER SHAFT
15.	LUB.OIL PUMP & GOVERNOR
16.	OIL PRESSURE SWITCH CAP
17.	OIL PRESSURE SWITCH
18.	COVER
19.	COOLING FAN CASE
20.	F.I.PUMP & F.I.VALVE
21.	SPEED CONTROL DEVICE
22.	RECOIL STARTER
23.	STARTING MOTOR
24.	ELECTRICAL EQUIPMENT

Fig. No.	Fig. Name
25.	DYNAMO
26.	TOOL & GASKET SET

Fig.1. CYLINDER BLOCK



(A)=L100N6-GWYYI  
(B)=L100N6-GEWYYI  
(C)=

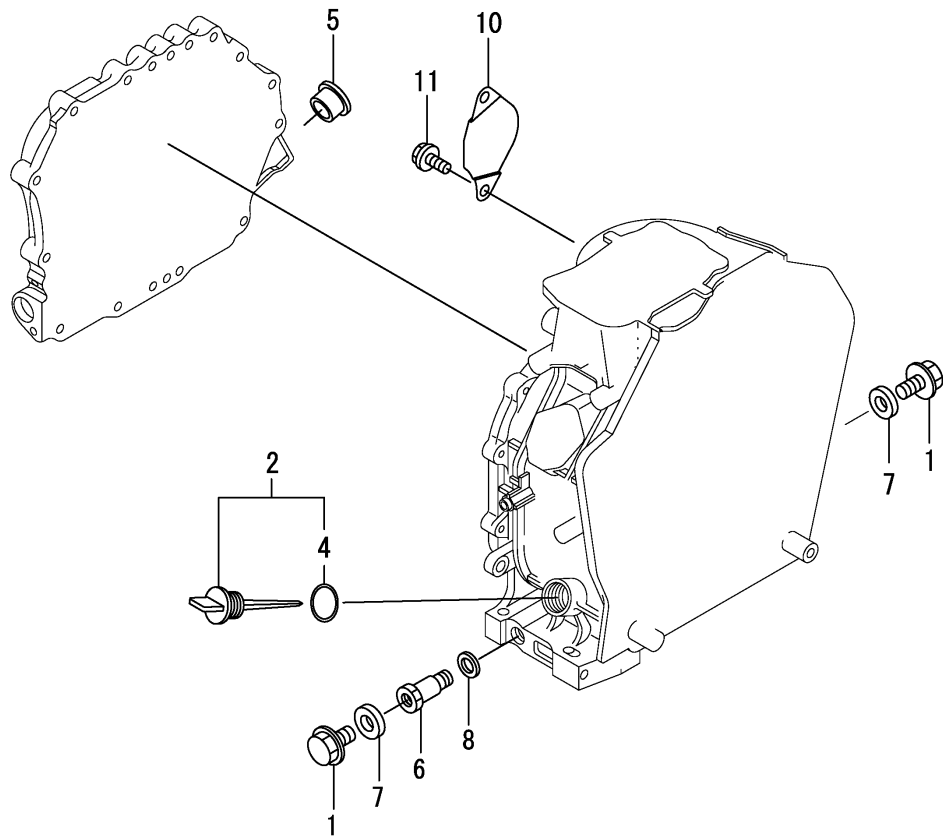
(D)=  
(E)=  
(F)=

No.	Lev.	Parts No.	Description	Q'ty						I	R
				(A)	(B)	(C)	(D)	(E)	(F)		
1	1	114310-01020	BLOCK ASSY, CYLINDER	1	1						
5	1	114695-01341	GASKET, HEAD 0.5	1	1						
6	1	114699-01380	O-RING	1	1						
7	1	114299-01600	PIN, 8X12	2	2						
8	1	114299-01800	SHIM SET	1	1						
19	1	114299-01830	COVER	1	1						
20	1	114250-01841	GASKET	1	1						
21	1	22312-040080	PIN, PARALLEL M4X 8	2	2						
22	1	23875-020000	PLUG, R02	1	1						
23	1	26226-060182	STUD, M6X 18	1	1						
24	1	26226-060222	STUD, M6X 22	2	2						
25	1	26366-060002	NUT, M6	3	3						
27	1	114699-01410	GASKET, CRANK CASE	1	1						
28	1	114310-01450	COVER(D, CRANK CASE	1	1						
31	2	114650-02100	BEARING, MAIN	1	1						1
33	1	114299-35150	PIPE, OIL INLET	1	1						
34	1	26106-080352	BOLT, M8X 35 PLATED	16	16						
35	1	114650-02200	BEARING, 0.25 US	1	1						2
36	1	114650-02210	BEARING, 0.50 US	1	1						3
38	1	114299-02030	RETAINER, BEARING	1	1						
39	1	114650-02150	BEARING, HR6308G3C3	1	1						
40	1	24162-152220	BEARING, 152220	1	1						
41	1	24423-355008	SEAL, OIL TC355008	1	1						
42	1	24423-355008	SEAL, OIL TC355008	1	1						
43	1	26106-080122	BOLT, M8X 12 PLATED	1	1						

Remarks

- (1) Spare parts.
- (2) Under sized(U.S.=0.25)parts.
- (3) Under sized(U.S.=0.50)parts.

Fig.2. DRAIN PLUG

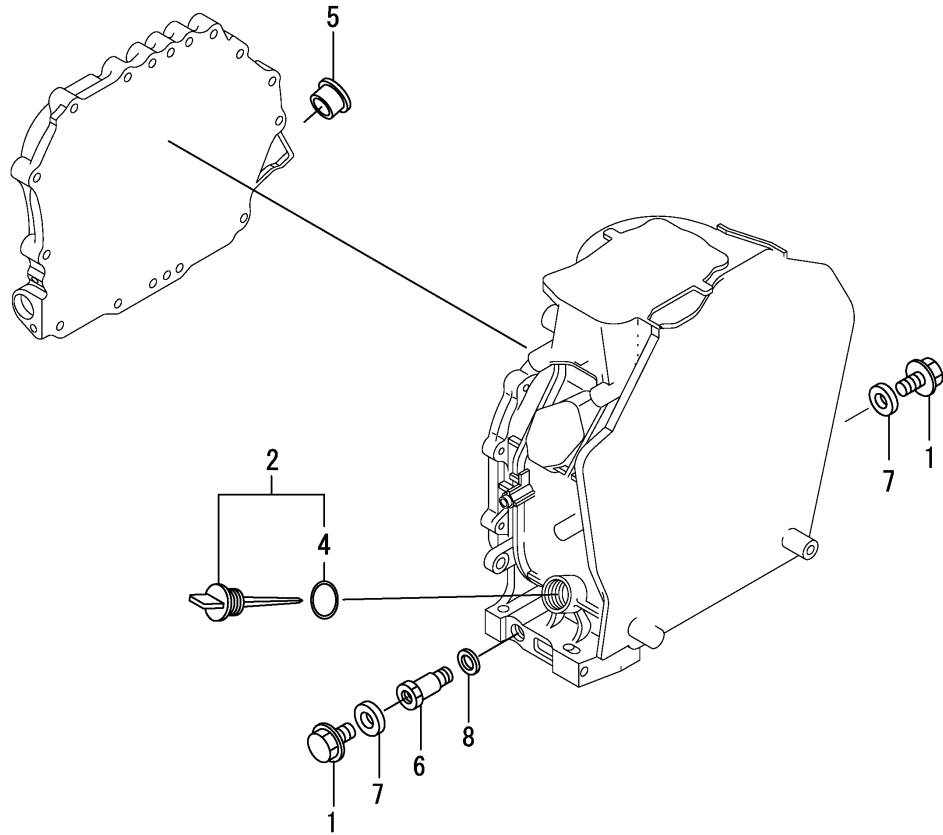


(A)=L100N6-GWYYI  
 (B)=L100N6-GEWYYI  
 (C)=

(D)=  
 (E)=  
 (F)=

No.	Lev.	Parts No.	Description	Q'ty						I	R
				(A)	(B)	(C)	(D)	(E)	(F)		
1	1	114299-01690	PLUG M16	2							
2	1	114699-01760	CAP ASSY	1							
4	2	114299-01950	O-RING, 18	1							
5	1	160110-01870	PLUG, RUBBER	1							
6	1	183279-08350	NIPPLE, DRAIN	1							
7	1	22190-160002	WASHER, SEAL 16	2							
8	1	22190-160002	WASHER, SEAL 16	1							
10	1	114399-01700	COVER, STARTER	1							
11	1	26106-100122	BOLT, M10X 12 PLATED	2							

Fig.3. DRAIN PLUG



(A)=L100N6-GWYYI  
 (B)=L100N6-GEWYYI  
 (C)=

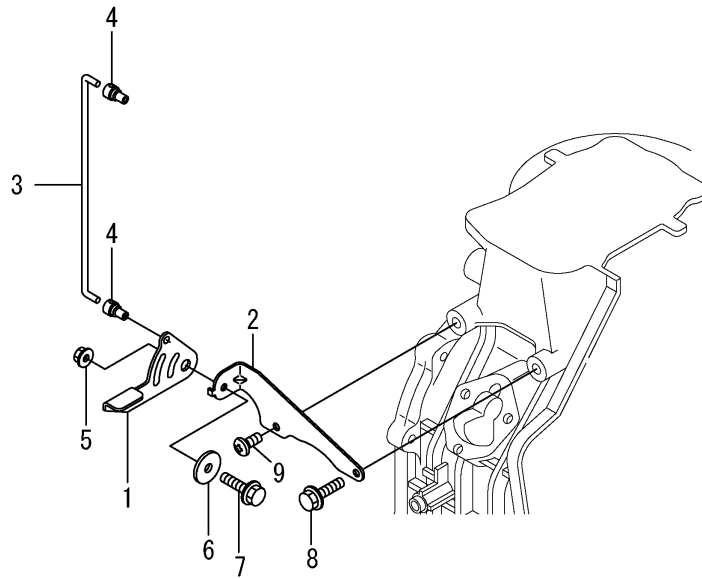
(D)=  
 (E)=  
 (F)=

No.	Lev.	Parts No.	Description	Q'ty						I	R
				(A)	(B)	(C)	(D)	(E)	(F)		
1	1	114299-01690	PLUG M16		2						
2	1	114699-01760	CAP ASSY		1						
4	2	114299-01950	O-RING, 18		1						
5	1	160110-01870	PLUG, RUBBER		1						
6	1	183279-08350	NIPPLE, DRAIN		1						
7	1	22190-160002	WASHER, SEAL 16		2						
8	1	22190-160002	WASHER, SEAL 16		1						

Fig.4. REMOTE DECOMP DEVICE

(A)=L100N6-GWYYI  
 (B)=L100N6-GWYYI  
 (C)=

(D)=  
 (E)=  
 (F)=

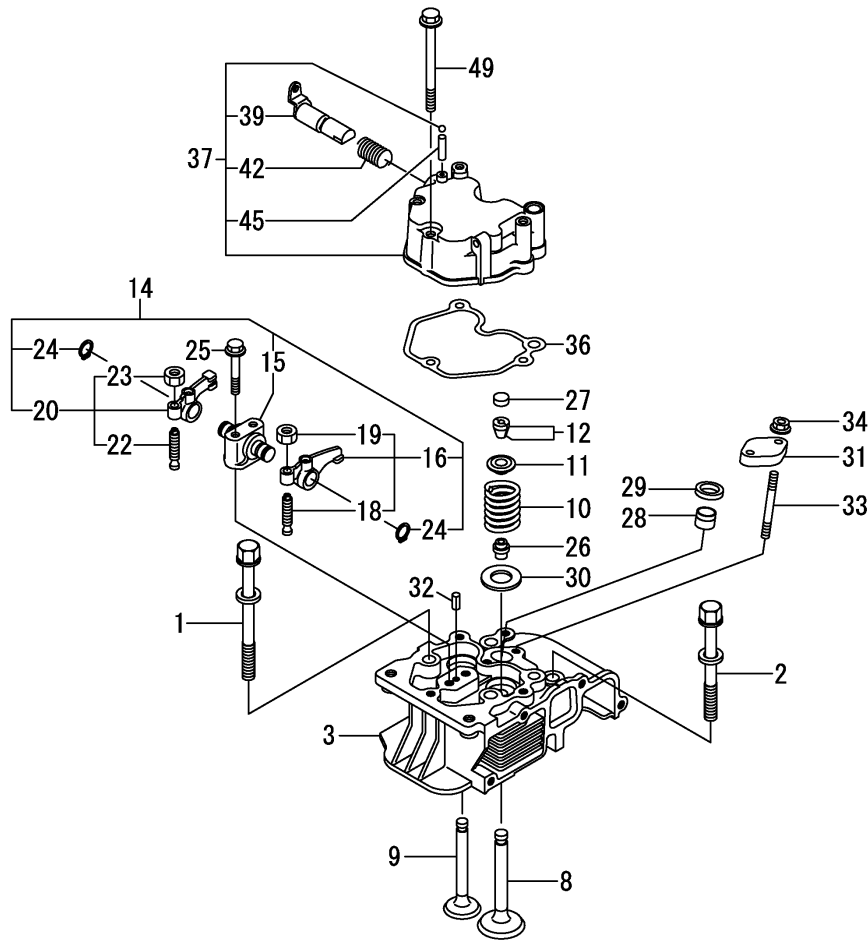


No.	Lev.	Parts No.	Description	Q'ty						I	R
				(A)	(B)	(C)	(D)	(E)	(F)		
1	1	183250-03410	LEVER, DECOMPRESSION	1	1						
2	1	114210-03450	BRACKET, LEVER	1	1						
3	1	183650-03510	LINK	1	1						
4	1	183250-03550	JOINT	2	2						
5	1	114299-12300	NUT	1	1						
6	1	160670-66350	COLLAR	1	1						
7	1	26106-060142	BOLT, M6X 14 PLATED	1	1						
8	1	26106-060142	BOLT, M6X 14 PLATED	1	1						
9	1	26557-060142	SCREW M 6X 14	1	1						





Fig.6. CYLINDER HEAD & BONNET



(A)=L100N6-GWYYI  
(B)=L100N6-GEWYYI  
(C)=

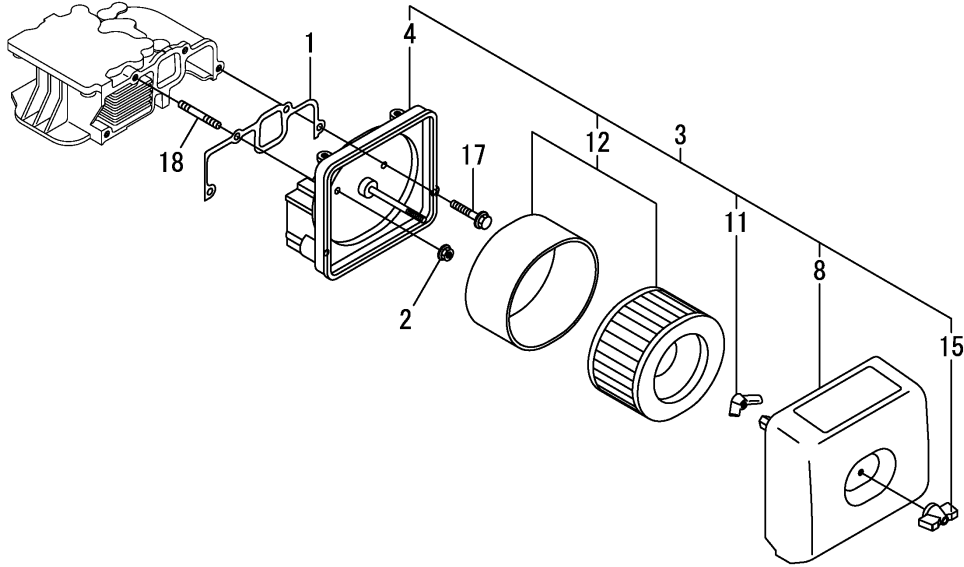
(D)=  
(E)=  
(F)=

No.	Lev.	Parts No.	Description	Q'ty						I	R
				(A)	(B)	(C)	(D)	(E)	(F)		
1	1	114310-01200	BOLT, CYL.HEAD A	2	2						
2	1	114310-01210	BOLT, CYL.HEAD B	2	2						
3	1	11432C-11020	HEAD ASSY, CYLINDER	1	1						
8	1	11431C-11100	VALVE, INTAKE	1	1						
9	1	11431C-11110	VALVE, EXHAUST	1	1						
10	1	114310-11120	SPRING, VALVE	2	2						
11	1	114310-11180	RETAINER, SPRING	2	2						
12	1	114310-11930	COTTER ASSY	2	2						
14	1	11431C-11250	SUPPORT ASSY, ARM	1	1						
15	2	11431C-11260	SUPPORT, ROCKER ARM	1	1						
16	2	11431C-11650	ARM, ROCKER	1	1						
18	3	114250-11240	SCREW, VALVE ADJUST	1	1						
19	3	26856-060002	NUT, M6	1	1						
20	2	11431C-11660	ARM, ROCKER	1	1						
22	3	114250-11240	SCREW, VALVE ADJUST	1	1						
23	3	26856-060002	NUT, M6	1	1						
24	2	22242-000150	RING, 15	2	2						
25	1	114310-11290	BOLT, SUPPORT	2	2						
26	1	114650-11341	SEAL, VALVE STEM	2	2						
27	1	104211-11370	CAP, VALVE	2	2						
28	1	114339-11451	PROTECTOR, NOZZLE	1	1						
29	1	114339-11551	SEAT, NOZZLE	1	1						
30	1	114699-11600	WASHER	2	2						
31	1	114210-11901	RETAINER, NOZZLE	1	1						
32	1	22351-040008	PIN, SPRING 4.0X 8	1	1						
33	1	26226-060552	STUD, M6X 55	2	2						
34	1	26366-060002	NUT, M6	2	2						
36	1	114310-11310	GASKET, BONNET	1	1						
37	1	114310-11960	BONNET ASSY, HEAD	1	1						
39	2	114210-03580	DECOMPRESSION ASSY	1	1						
42	2	114299-03640	SPRING,DECOMPRESSION	1	1						
45	2	22312-030160	PIN, PARALLEL M3X16	1	1						
49	1	26106-060652	BOLT, M6X 65 PLATED	3	3						

Fig.7. AIR CLEANER

(A)=L100N6-GWYYI  
 (B)=L100N6-GEWYYI  
 (C)=

(D)=  
 (E)=  
 (F)=



No.	Lev.	Parts No.	Description	Q'ty						I	R
				(A)	(B)	(C)	(D)	(E)	(F)		
1	1	114310-12210	GASKET, AIR CLEANER	1	1						
2	1	114299-12300	NUT	3	3						
3	1	114320-12550	CLEANER ASSY, AIR	1	1						
4	2	114310-12010	BODY ASSY, AIR CLNR	1	1						
8	2	114220-12500	COVER ASSY, AIR CLNR	1	1						
11	2	114210-12560	NUT, WING	1	1						
12	2	114210-12590	ELEMENT ASSY	1	1						
15	2	114210-12600	LOCKING KNOB	1	1						
17	1	26106-060402	BOLT, M6X 40 PLATED	1	1						
18	1	26226-060352	STUD, M6X 35	3	3						





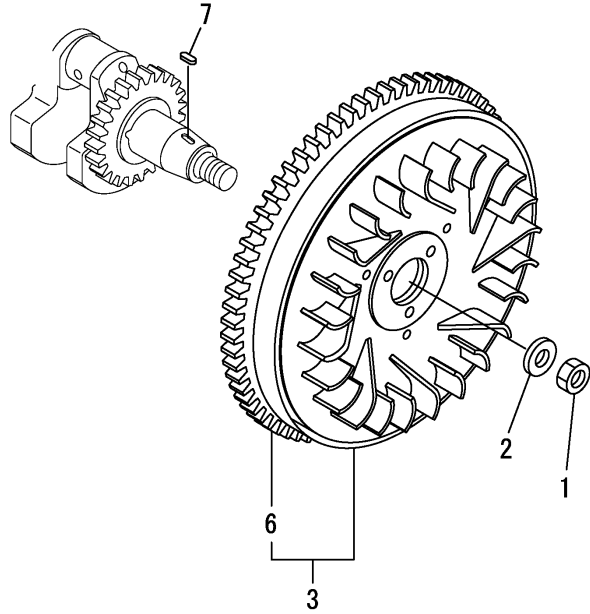




Fig.12. FLYWHEEL

(A)=L100N6-GWYYI  
 (B)=L100N6-GEWYYI  
 (C)=

(D)=  
 (E)=  
 (F)=

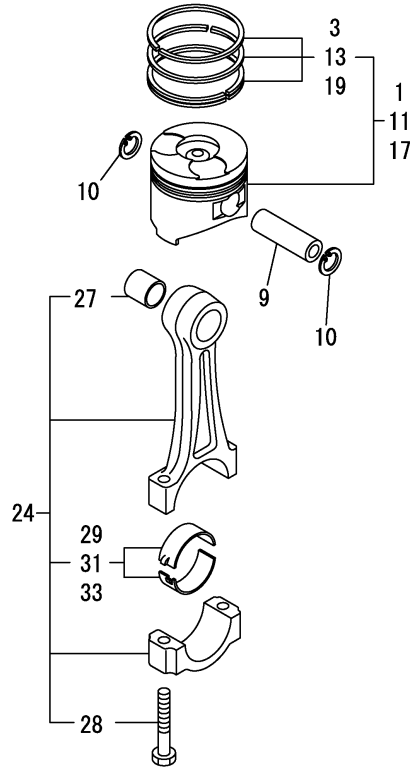


No.	Lev.	Parts No.	Description	Q'ty						I	R
				(A)	(B)	(C)	(D)	(E)	(F)		
1	1	114699-21220	NUT		1						
2	1	114699-21550	WASHER		1						
3	1	114699-21600	FLYWHEEL ASSY, DE		1						
6	2	114699-21630	RING, GEAR		1						
7	1	22512-050140	KEY, 5X 14		1						

Fig.13. PISTON & CONNECTING ROD

(A)=L100N6-GWYYI  
 (B)=L100N6-GWYYI  
 (C)=

(D)=  
 (E)=  
 (F)=



No.	Lev.	Parts No.	Description	Q'ty						I	R
				(A)	(B)	(C)	(D)	(E)	(F)		
1	1	714320-22720	PISTON W/RINGS (D)	1	1						
3	2	714310-22500	RING SET, PISTON	1	1						
9	1	114699-22300	PIN, PISTON D=23	1	1						
10	1	114310-22500	SEEGER RING, J23	2	2						
11	1	714320-22620	PISTON W/RING .25OS	1	1						1
13	2	714310-22540	RING SET O.S=0.25	1	1						1
17	1	714320-22580	PISTON W/RING .50OS	1	1						2
19	2	714310-22550	RING SET O.S=0.50	1	1						2
24	1	71431C-23010	ROD ASSY, CONNECTING	1	1						
27	3	124060-23100	BEARING, PISTON PIN	1	1						
28	3	114310-23200	BOLT, CONNECTING ROD	2	2						
29	2	714650-23600	BEARING, CRANK PIN	1	1						
31	1	714650-23610	BEARING ASSY, 0.25	1	1						3
33	1	714650-23620	BEARING, 0.50 US	1	1						4

Remarks

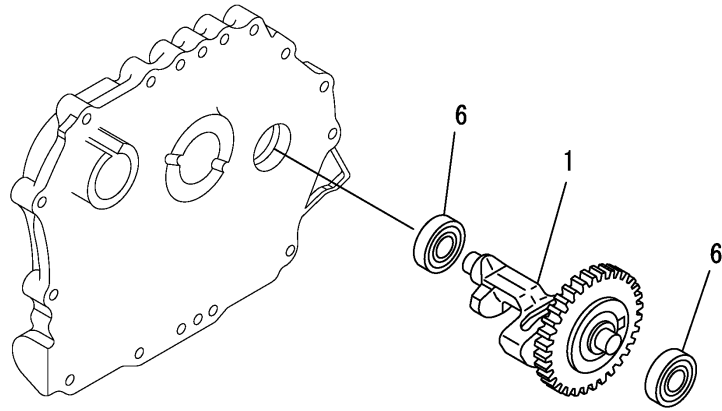
- (1)Over sized(U.S.=0.25)parts.
- (2)Over sized(U.S.=0.50)parts.
- (3)Under sized(U.S.=0.25)parts.
- (4)Under sized(U.S.=0.50)parts.



Fig.14. BALANCER SHAFT

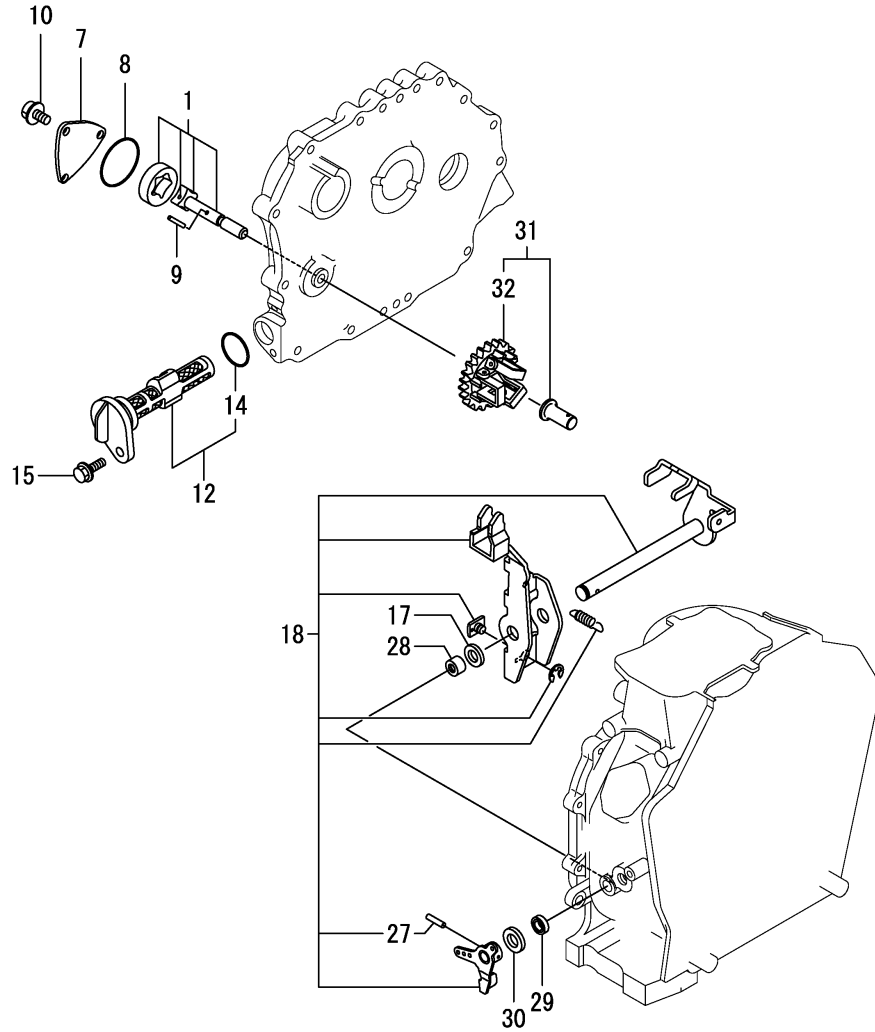
(A)=L100N6-GWYYI  
 (B)=L100N6-GEWYYI  
 (C)=

(D)=  
 (E)=  
 (F)=



No.	Lev.	Parts No.	Description	Q'ty						I	R
				(A)	(B)	(C)	(D)	(E)	(F)		
1	1	714310-28510	SHAFT ASSY, BALANCER	1	1						
6	1	24101-063040	BEARING, BALL 6304C3	2	2						

Fig.15. LUB.OIL PUMP & GOVERNOR



(A)=L100N6-GWYYI  
 (B)=L100N6-GEWYYI  
 (C)=

(D)=  
 (E)=  
 (F)=

No.	Lev.	Parts No.	Description	Q'ty						I	R
				(A)	(B)	(C)	(D)	(E)	(F)		
1	1	114650-32010	PUMP ASSY, OIL	1	1						
7	1	114299-32070	COVER	1	1						
8	1	114299-32570	O-RING	1	1						
9	1	22312-030160	PIN, PARALLEL M3X16	1	1						
10	1	26106-060122	BOLT, M6X 12 PLATED	3	3						
12	1	114299-35110	FILTER ASSY, OIL	1	1						
14	2	24341-000224	O-RING, 1AS22.4	1	1						
15	1	26106-060162	BOLT, M6X 16 PLATED	1	1						
17	1	114299-61190	WASHER	1	1						
18	1	114311-61500	LEVER ASSY, GOVERNOR	1	1						1
27	2	22322-030200	PIN, TAPER 3X20	1	1						
28	1	114770-61520	BEARING, NEEDLE	2	2						
29	1	114299-61600	SEAL, OIL	1	1						
30	1	114770-61610	WASHER, THRUST	1	1						
31	1	714210-61701	GOVERNOR ASSY	1	1						
32	2	114210-61290	WEIGHT ASSY,GOVERNOR	1	1						

Remarks

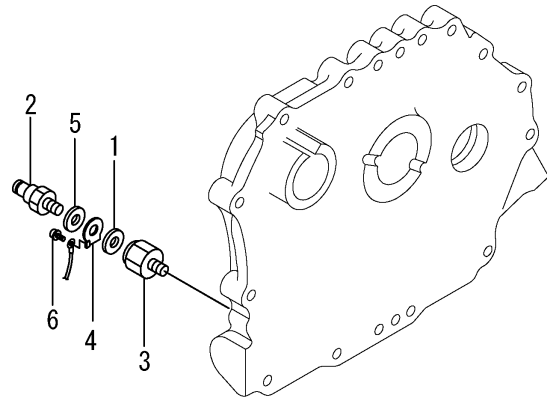
(1)On a guarantee of quality component part shall not be sold.



Fig.17. OIL PRESSURE SWITCH

(A)=L100N6-GWYYI  
 (B)=L100N6-GEWYYI  
 (C)=

(D)=  
 (E)=  
 (F)=

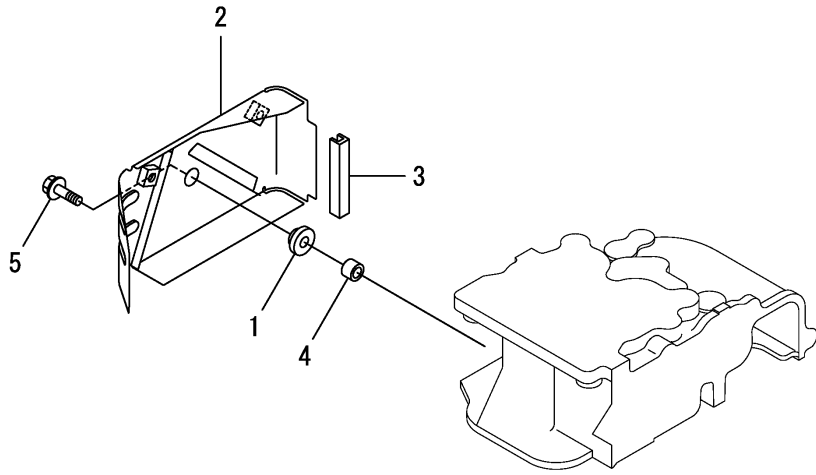


No.	Lev.	Parts No.	Description	Q'ty						I	R	
				(A)	(B)	(C)	(D)	(E)	(F)			
1	1	114110-39290	WASHER, RUBBER		1							
2	1	183250-39450	SWITCH, 1.0KG		1							
3	1	183366-39460	JOINT		1							
4	1	171022-39470	TERMINAL, EARTH		1							
5	1	22117-100000	WASHER, 10		1							
6	1	26557-040082	SCREW, M4X 8		1							

Fig.18. COVER

(A)=L100N6-GWYYI  
 (B)=L100N6-GWYYI  
 (C)=

(D)=  
 (E)=  
 (F)=

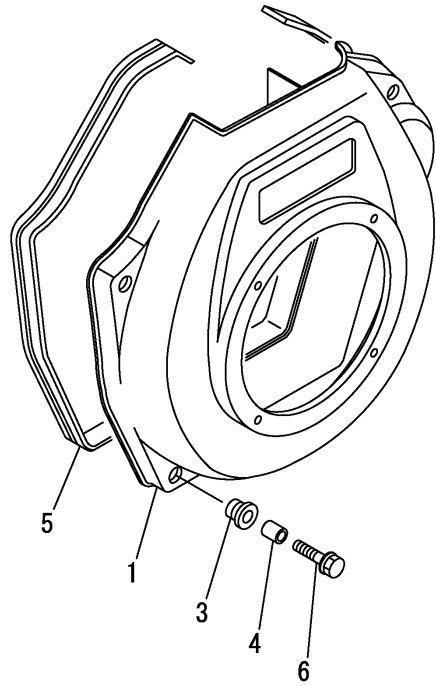


No.	Lev.	Parts No.	Description	Q'ty						I	R
				(A)	(B)	(C)	(D)	(E)	(F)		
1	1	114299-45220	GROMMET	1	1						
2	1	114310-45260	COVER B, SIDE	1	1						
3	1	114399-45320	RUBBER, SEAL	1	1						
4	1	114399-45340	COLLAR	1	1						
5	1	26106-060202	BOLT, M6X 20 PLATED	1	1						

Fig.19. COOLING FAN CASE

(A)=L100N6-GWYYI  
 (B)=L100N6-GEWYYI  
 (C)=

(D)=  
 (E)=  
 (F)=

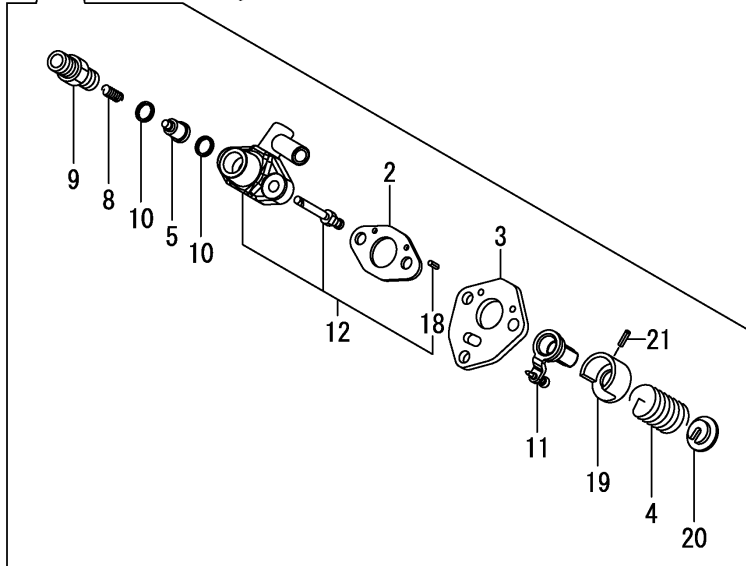
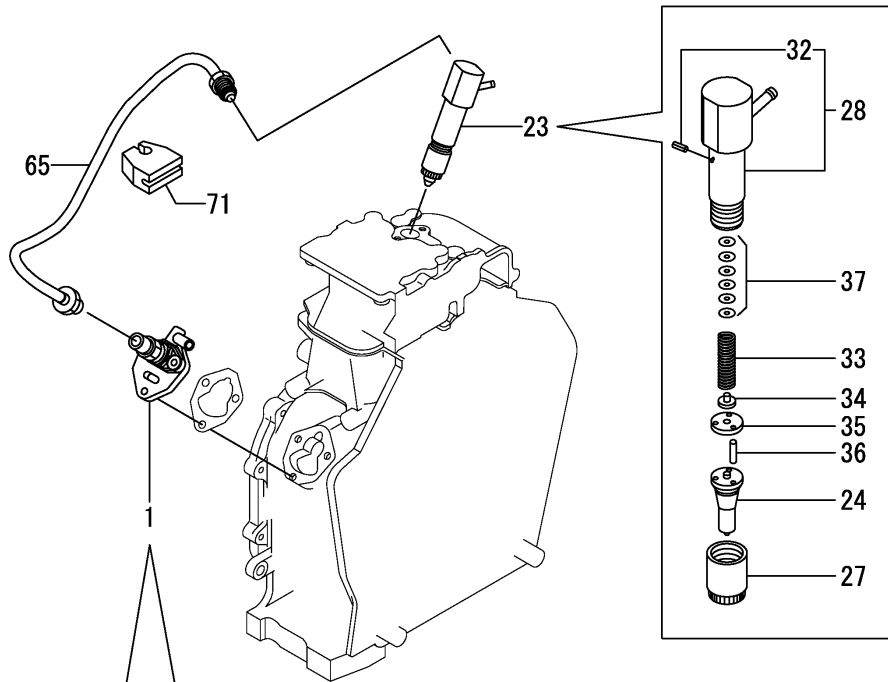


No.	Lev.	Parts No.	Description	Q'ty						I	R
				(A)	(B)	(C)	(D)	(E)	(F)		
1	1	114310-45150	CASE, COOLING FAN	1	1						
3	1	114299-45301	RUBBER, CUSHION	4	4						
4	1	114299-45310	COLLAR	4	4						
5	1	114699-45331	SEAL, FAN CASE	1	1						
6	1	114299-45350	BOLT, FAN CASE	4	4						

Fig.20. F.I.PUMP & F.I.VALVE

(A)=L100N6-GWYYI  
 (B)=L100N6-GEWYYI  
 (C)=

(D)=  
 (E)=  
 (F)=

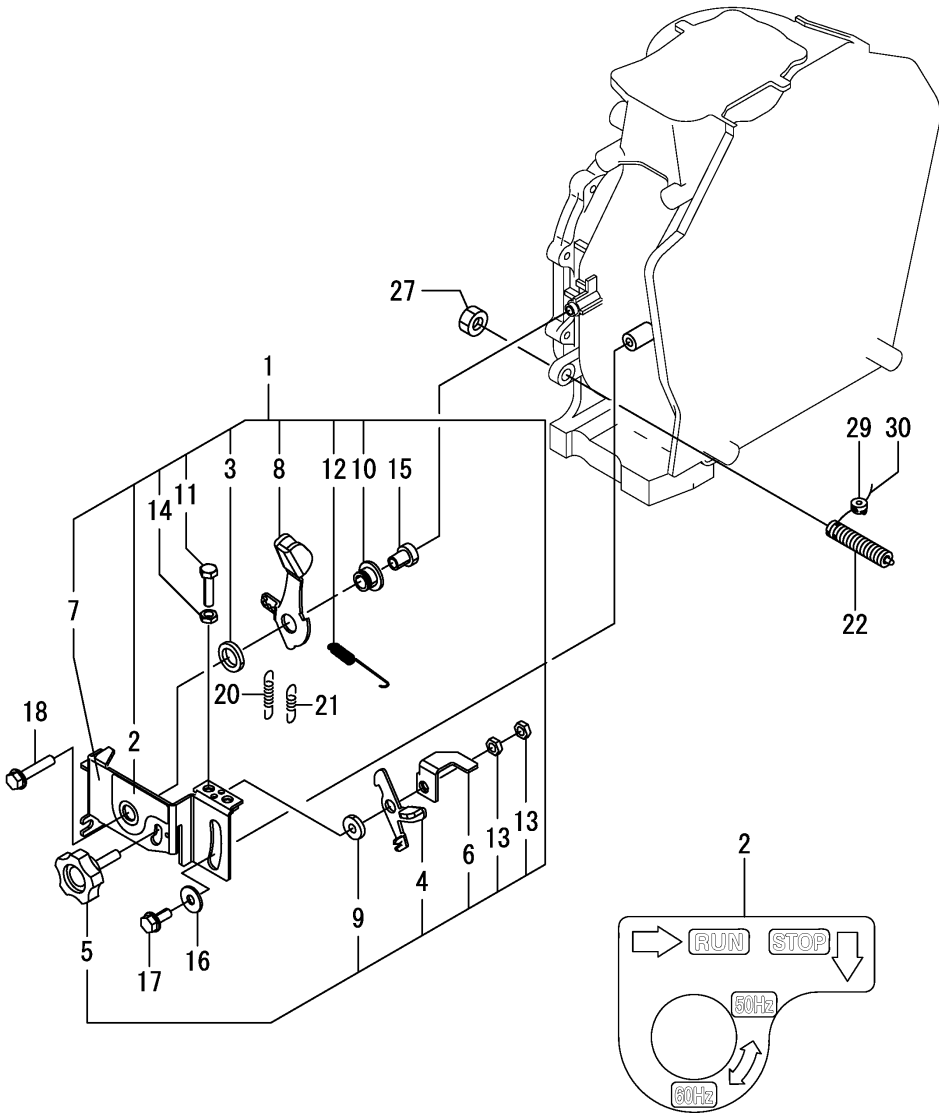


No.	Lev.	Parts No.	Description	Q'ty						I	R
				(A)	(B)	(C)	(D)	(E)	(F)		
1	1	714339-51420	PUMP ASSY, INJECTION	1	1						
2	2	105546-51020	GASKET	1	1						
3	2	114250-51080	PLATE	1	1						
4	2	114250-51160	SPRING, PLUNGER	1	1						
5	2	114650-51300	VALVE ASSY, DELIVERY	1	1						
8	2	105546-51330	SPRING, DELIVERY	1	1						
9	2	114250-51340	HOLDER, DELIVERY	1	1						
10	2	124550-51350	GASKET, DELIVERY	2	2						
11	2	114250-51500	LEVER, CONTROL	1	1						
12	2	114339-51500	BODY ASSY, PUMP	1	1						
18	4	22351-020006	PIN, SPRING 2.0X 6	2	2						
19	2	114250-51640	SEAT, SPRING A	1	1						
20	2	114250-51650	SEAT, SPRING B	1	1						
21	2	22351-030008	PIN, SPRING 3.0X 8	1	1						
23	1	714339-53100	VALVE ASSY, INJECTION	1	1						
24	2	114339-53050	VALVE ASSY, INJECTION	1	1						
27	2	114250-53080	NUT, NOZZLE D16.95	1	1						
28	2	114339-53100	HOLDER ASSY, NOZZLE	1	1						
32	3	22351-025005	PIN, SPRING 2.5X 6	1	1						
33	2	114250-53120	SPRING, NOZZLE	1	1						
34	2	114250-53130	SEAT, SPRING	1	1						
35	2	114250-53140	PLATE	1	1						
36	2	114250-53210	PIN	2	2						
37	2	119803-53400	SHIM SET	1	1						
65	1	114310-59820	PIPE ASSY, INJECTION	1	1						
71	1	114699-59850	SUPPORT, PIPE	1	1						

Fig.21. SPEED CONTROL DEVICE

(A)=L100N6-GWYYI  
 (B)=L100N6-GEWYYI  
 (C)=

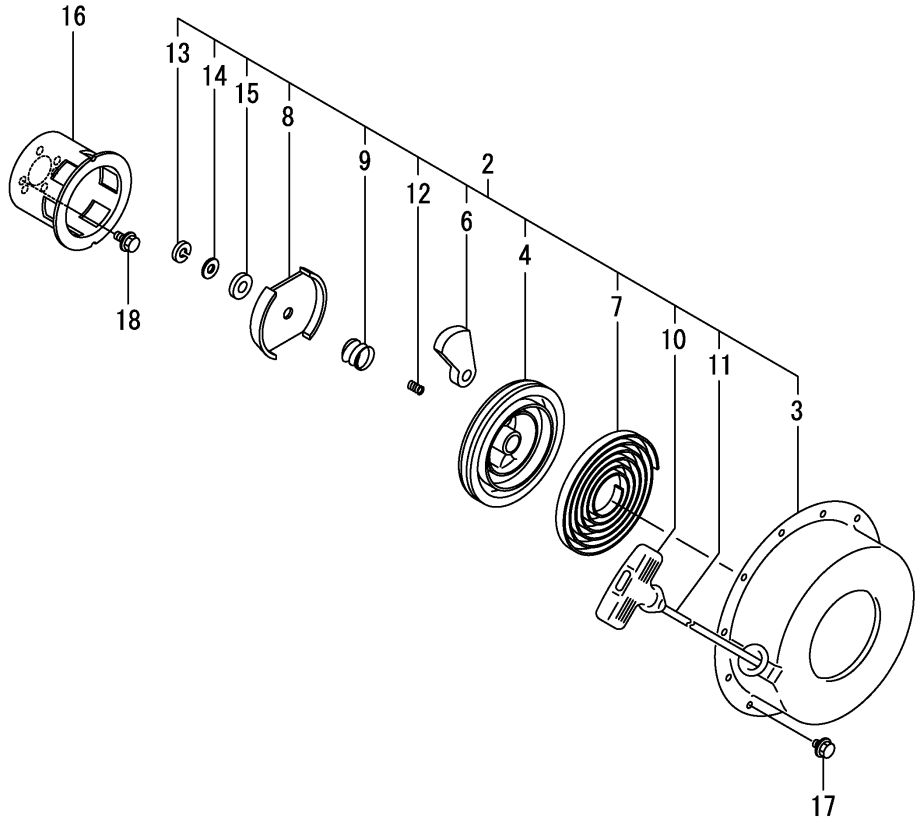
(D)=  
 (E)=  
 (F)=



No.	Lev.	Parts No.	Description	Q'ty						I	R
				(A)	(B)	(C)	(D)	(E)	(F)		
1	1	114339-66300	BRACKET ASSY, HANDLE	1	1						
2	2	183972-07480	LABEL, OPERATION	1	1						
3	2	183972-66310	PIECE	1	1						
4	2	183972-66320	LEVER, LOCK	1	1						
5	2	183972-66330	BOLT, M6X25	1	1						
6	2	114339-66340	BOARD, CHANGE	1	1						
7	2	114339-66350	BRACKET, HANDLE	1	1						
8	2	114339-66360	HANDLE, REGULATOR	1	1						
9	2	183250-66361	COLLAR	1	1						
10	2	183972-66370	COLLAR	1	1						
11	2	114339-66440	BOLT, ADJUSTING	1	1						
12	2	183972-66440	SPRING	1	1						
13	2	26756-060002	NUT, LOCK M6	2	2						
14	2	26757-060002	NUT, LOCK M6	1	1						
15	1	183972-66380	COLLAR	1	1						
16	1	160120-76940	WASHER	1	1						
17	1	26106-060142	BOLT, M6X 14 PLATED	1	1						
18	1	26106-060302	BOLT, M6X 30 PLATED	1	1						
20	1	114320-66010	SPRING, REGULATOR	1	1						
21	1	114299-66201	SPRING, RETURN	1	1						
22	1	114320-66600	LIMITER ASSY, FUEL	1	1						
27	1	26776-100002	NUT, LOCK M10	1	1						
29	1	114780-61090	TIN	1	1						
30	1	22451-060000	WIRE, 0.6	1	1						



Fig.22. RECOIL STARTER



(A)=L100N6-GWYYI  
 (B)=L100N6-GEWYYI  
 (C)=

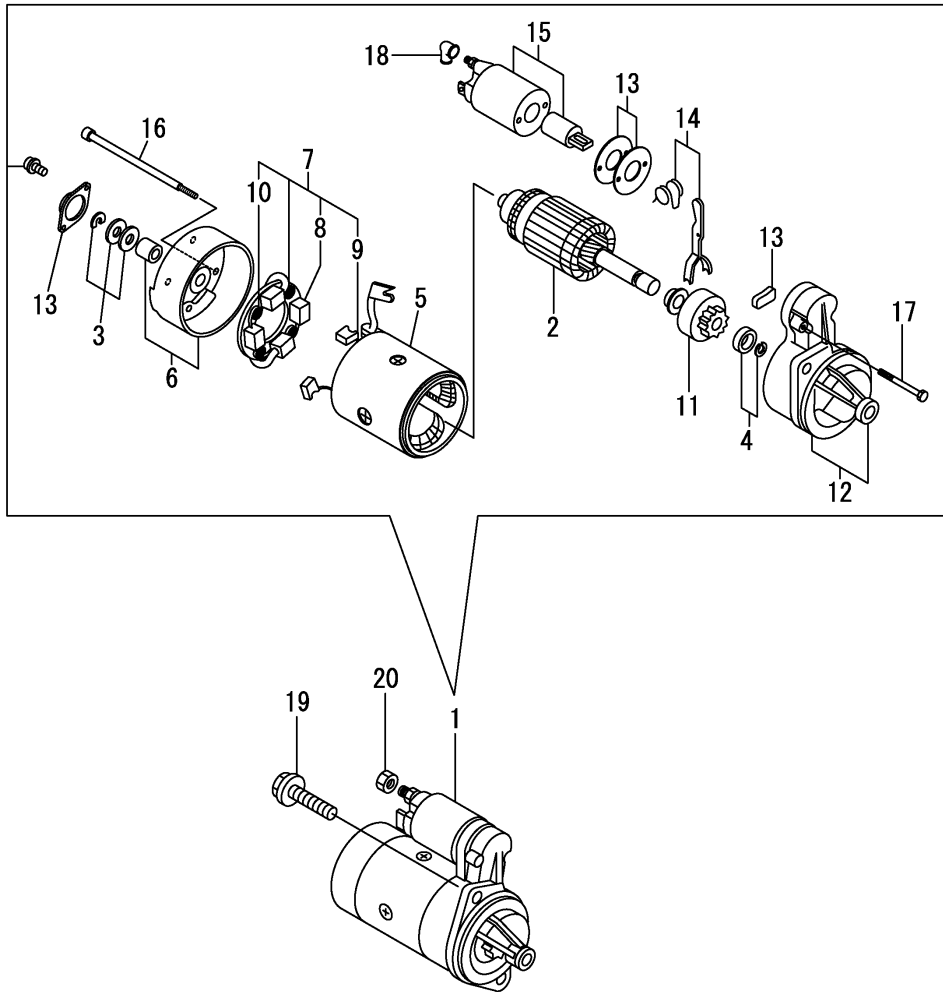
(D)=  
 (E)=  
 (F)=

No.	Lev.	Parts No.	Description	Q'ty						I	R
				(A)	(B)	(C)	(D)	(E)	(F)		
2	2	114699-76251	RECOIL ASSY	1	1						
3	3	114699-76510	CASE, STARTER	1	1						
4	3	114699-76521	REEL, RECOIL	1	1						
6	3	114699-76531	RATCHET	2	2						
7	3	114399-76540	SPRING, SPIRAL	1	1						
8	3	114699-76551	GUIDE, RATCHET	1	1						
9	3	114699-76560	SPRING, FRICTION	1	1						
10	3	114399-76620	KNOB, STARTER	1	1						
11	3	114699-76630	ROPE, STARTER	1	1						
12	3	114699-76650	SPRING, RETURN	1	1						
13	3	114699-76660	CIRCLIP	1	1						
14	3	114699-76670	WASHER	1	1						
15	3	114699-76680	WASHER	1	1						
16	2	114699-76592	PULLEY, STARTER	1	1						
17	1	26106-060082	BOLT, M6X 8 PLATED	4	4						
18	1	26106-060122	BOLT, M6X 12 PLATED	3	3						

Fig.23. STARTING MOTOR

(A)=L100N6-GWYYI  
 (B)=L100N6-GEWYYI  
 (C)=

(D)=  
 (E)=  
 (F)=

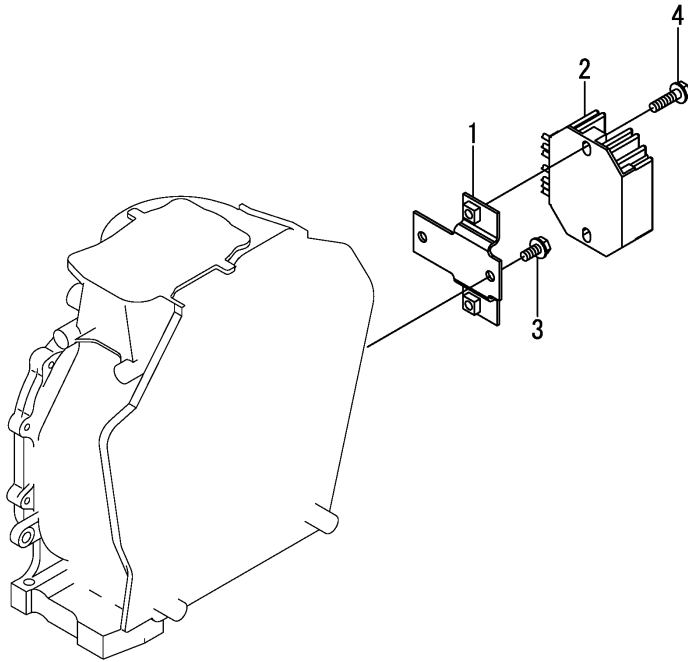


No.	Lev.	Parts No.	Description	Q'ty						I	R
				(A)	(B)	(C)	(D)	(E)	(F)		
1	1	114362-77011	STARTER		1						
2	2	114381-77110	ARMATURE		1						
3	2	X2114811000	WASHER KIT, THRUST		1						
4	2	X2114715500	STOPPER SET		1						
5	2	114381-77130	COIL ASSY, FIELD		1						
6	2	114381-77140	COVER		1						
7	2	114371-77160	HOLDER ASSY, BRUSH		1						
8	3	114371-79040	BRUSH		2						
9	3	114371-79050	BRUSH		1						
10	3	114371-79060	SPRING		4						
11	2	X211485016	PINION ASSY		1						
12	2	114381-77151	CASE ASSY		1						
13	2	114371-77170	COVER ASSY, DUST		1						
14	2	114371-77180	LEVER KIT, SHIFT		1						
15	2	124298-77020	SWITCH, MAGNETIC		1						
16	2	124195-77770	BOLT, THROUGH		2						
17	2	114371-79070	BOLT		2						
18	2	X2114274200	COVER		1						
19	1	26106-100302	BOLT, M10X 30 PLATED		2						
20	1	26716-080002	NUT, M8		1						

Fig.24. ELECTRICAL EQUIPMENT

(A)=L100N6-GWYYI  
(B)=L100N6-GEWYYI  
(C)=

(D)=  
(E)=  
(F)=



No.	Lev.	Parts No.	Description	Q'ty						I	R	
				(A)	(B)	(C)	(D)	(E)	(F)			
1	1	183367-77450	BRACKET, REGULATOR		1							
2	1	171008-77712	LIMITER, CURRENT		1							
3	1	26106-060122	BOLT, M6X 12 PLATED		2							
4	1	26106-060222	BOLT, M6X 22 PLATED		2							

---

---

---

---

---

---

---

---

---

---

---

---

---

---

---

---

---

---

---

---

---

---

---

---

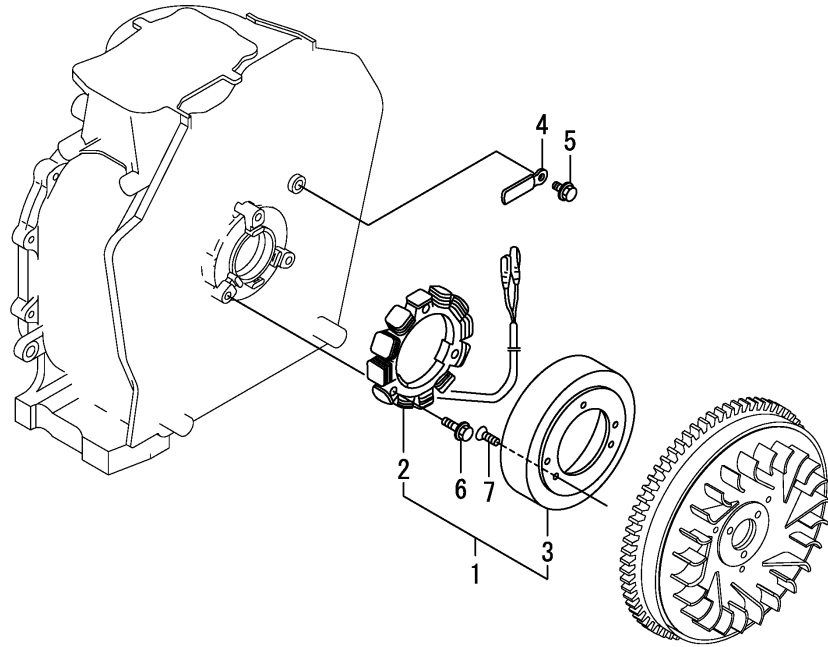
---

---

Fig.25. DYNAMO

(A)=L100N6-GWYYI  
 (B)=L100N6-GWYYI  
 (C)=

(D)=  
 (E)=  
 (F)=

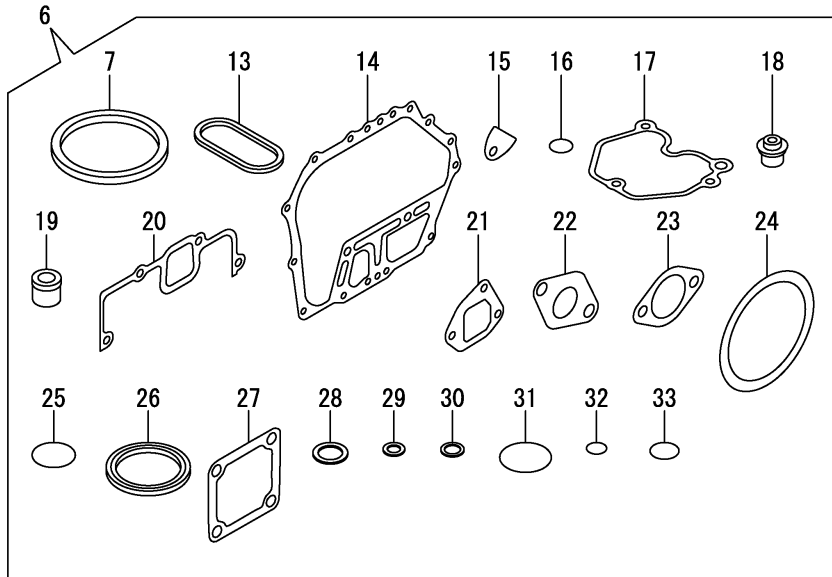
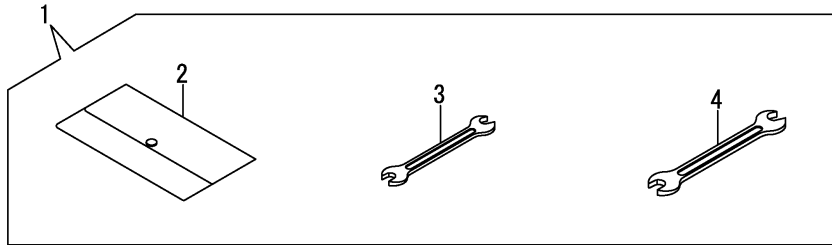


No.	Lev.	Parts No.	Description	Q'ty						I	R
				(A)	(B)	(C)	(D)	(E)	(F)		
1	1	183972-78250	DYNAMO ASSY	1	1						
2	2	183972-78750	STATOR	1	1						
3	2	183972-78760	WHEEL, DYNAMO	1	1						
4	1	160710-78710	CLAMP, CORD	1	1						
5	1	26106-060122	BOLT, M6X 12 PLATED	1	1						
6	1	26106-060202	BOLT, M6X 20 PLATED	3	3						
7	1	26577-060142	SCREW M 6X 14	3	3						

Fig.26. TOOL & GASKET SET

(A)=L100N6-GWYYI  
(B)=L100N6-GEWYYI  
(C)=

(D)=  
(E)=  
(F)=



No.	Lev.	Parts No.	Description	Q'ty						I	R
				(A)	(B)	(C)	(D)	(E)	(F)		
1	1	114299-92590	BOX, TOOL	1	1						
2	2	114299-92600	BAG, TOOL	1	1						
3	2	114299-92710	WRENCH	1	1						
4	2	114299-92720	WRENCH	1	1						
6	1	114320-92600	GASKET SET	1	1						1
7	2	114695-01331	GASKET, HEAD	1	1						
13	2	114699-01380	O-RING	1	1						
14	2	114699-01410	GASKET, CRANK CASE	1	1						
15	2	114250-01841	GASKET	1	1						
16	2	114299-01950	O-RING, 18	2	2						
17	2	114310-11310	GASKET, BONNET	1	1						
18	2	114650-11341	SEAL, VALVE STEM	2	2						
19	2	114771-11461	GASKET, NOZZLE	1	1						
20	2	114310-12210	GASKET, AIR CLEANER	1	1						
21	2	114699-12210	GASKET, AIR CLEANER	2	2						
22	2	114310-13200	GASKET, MUFFLER	1	1						
23	2	183671-13211	GASKET, PIPE	1	1						
24	2	114399-21980	GASKET	1	1						
25	2	114299-32570	O-RING	1	1						
26	2	160393-55050	GASKET	4	4						
27	2	129100-77510	GASKET	3	3						
28	2	22190-160002	WASHER, SEAL 16	2	2						
29	2	23414-080000	GASKET, 8X1.0	1	1						
30	2	23414-120000	GASKET, 12X1.0	1	1						
31	2	24311-000400	O-RING, 1AP40.0	1	1						
32	2	24341-000150	O-RING, 1AS15.0	2	2						
33	2	24341-000224	O-RING, 1AS22.4	1	1						

Remarks

(1)Optional parts.

N:Old  $\xrightarrow{\text{Yes}}$  New, Q:Old  $\xrightarrow{\text{No}}$  New, R:Old  $\xrightarrow{\text{Yes}}$  New, S:Old  $\xrightarrow{\text{No}}$  New, W:Add, Z:Discontinued, F:Interchangeable by set, K:Q'ty Change

## Parts No. Index

Parts No.	Fig. No.	Ref. No.
104211-11370	6	27
105546-51020	20	2
105546-51330	20	8
114110-39290	17	1
114210-03450	4	2
114210-03580	6	39
114210-11901	6	31
114210-12560	7	11
114210-12590	7	12
114210-12600	7	15
114210-14300	9	7
114210-61290	15	32
114220-07130	5	10
114220-12500	7	8
114250-01841	1	20
	26	15
114250-11240	6	18
		22
114250-51080	20	3
114250-51160	20	4
114250-51340	20	9
114250-51500	20	11
114250-51640	20	19
114250-51650	20	20
114250-53080	20	27
114250-53120	20	33
114250-53130	20	34
114250-53140	20	35
114250-53210	20	36
114299-01600	1	7
114299-01690	2	1
	3	1
114299-01800	1	8
114299-01830	1	19
114299-01950	2	4
	3	4
	26	16
114299-02030	1	38
114299-03640	6	42
114299-07111	5	2
114299-07160	5	3
114299-12300	4	5
	7	2
114299-32070	15	7
114299-32570	15	8
	26	25
114299-35110	15	12
114299-35150	1	33
114299-45220	18	1
114299-45301	19	3

Parts No.	Fig. No.	Ref. No.
114299-45310	19	4
114299-45350	19	6
114299-61190	15	17
114299-61600	15	29
114299-66201	21	21
114299-92590	26	1
114299-92600	26	2
114299-92710	26	3
114299-92720	26	4
114310-01020	1	1
114310-01200	6	1
114310-01210	6	2
114310-01450	1	28
114310-11120	6	10
114310-11180	6	11
114310-11290	6	25
114310-11310	6	36
	26	17
114310-11930	6	12
114310-11960	6	37
114310-12010	7	4
114310-12210	7	1
	26	20
114310-13200	8	1
	26	22
114310-14200	9	6
114310-14400	9	12
114310-22500	13	10
114310-23200	13	28
114310-45150	19	1
114310-45260	18	2
114310-59820	20	65
114311-61500	15	18
11431C-11100	6	8
11431C-11110	6	9
11431C-11250	6	14
11431C-11260	6	15
11431C-11650	6	16
11431C-11660	6	20
11431C-21720	10	1
114320-12550	7	3
114320-66010	21	20
114320-66600	21	22
114320-92600	26	6
11432C-11020	6	3
114339-11451	6	28
114339-11551	6	29
114339-51500	20	12
114339-53050	20	24
114339-53100	20	28

Parts No.	Fig. No.	Ref. No.
114339-66300	21	1
114339-66340	21	6
114339-66350	21	7
114339-66360	21	8
114339-66440	21	11
114362-77011	23	1
114371-77160	23	7
114371-77170	23	13
114371-77180	23	14
114371-79040	23	8
114371-79050	23	9
114371-79060	23	10
114371-79070	23	17
114381-77110	23	2
114381-77130	23	5
114381-77140	23	6
114381-77151	23	12
114399-01700	2	10
114399-21980	26	24
114399-45320	18	3
114399-45340	18	4
114399-76540	22	7
114399-76620	22	10
114650-02100	1	31
114650-02150	1	39
114650-02200	1	35
114650-02210	1	36
114650-11341	6	26
	26	18
114650-32010	15	1
114650-51300	20	5
114695-01331	26	7
114695-01341	1	5
114699-01380	1	6
	26	13
114699-01410	1	27
	26	14
114699-01760	2	2
	3	2
114699-11600	6	30
114699-12210	26	21
114699-21220	11	1
	12	1
114699-21420	11	3
114699-21550	11	2
	12	2
114699-21600	12	3
114699-21630	12	6
114699-22300	13	9
114699-45331	19	5

Parts No.	Fig. No.	Ref. No.
114699-59850	20	71
114699-76251	22	2
114699-76510	22	3
114699-76521	22	4
114699-76531	22	6
114699-76551	22	8
114699-76560	22	9
114699-76592	22	16
114699-76630	22	11
114699-76650	22	12
114699-76660	22	13
114699-76670	22	14
114699-76680	22	15
114770-61520	15	28
114770-61610	15	30
114771-11461	26	19
114780-61090	21	29
119803-53400	20	37
124060-23100	13	27
124195-77770	23	16
124298-77020	23	15
124550-51350	20	10
129100-77510	26	27
160110-01870	2	5
	3	5
160120-76940	21	16
160393-55050	26	26
160670-66350	4	6
160710-78710	25	4
171008-77712	24	2
171022-39470	17	4
183250-03410	4	1
183250-03550	4	4
183250-39450	17	2
183250-66361	21	9
183279-08350	2	6
	3	6
183366-39460	17	3
183367-77450	24	1
183650-03510	4	3
183671-13211	26	23
183972-07480	5	8
	21	2
183972-66310	21	3
183972-66320	21	4
183972-66330	21	5
183972-66370	21	10
183972-66380	21	15
183972-66440	21	12
183972-78250	25	1

## Parts No. Index

Parts No.	Fig. No.	Ref. No.
183972-78750	25	2
183972-78760	25	3
22117-100000	17	5
22190-160002	2	7
		8
	3	7
		8
	26	28
22242-000150	6	24
22312-030160	6	45
	15	9
22312-040080	1	21
22322-030200	15	27
22351-020006	20	18
22351-025005	20	32
22351-030008	20	21
22351-040008	6	32
22451-060000	21	30
22512-050140	11	5
	12	7
23414-080000	26	29
23414-120000	26	30
23875-020000	1	22
23876-010000	16	1
24101-063040	14	6
24162-152220	1	40
24311-000400	26	31
24341-000150	26	32
24341-000224	15	14
	26	33
24423-355008	1	41
		42
26106-060082	22	17
26106-060122	15	10
	22	18
	24	3
	25	5
26106-060142	4	7
		8
	21	17
26106-060162	15	15
26106-060202	18	5
	25	6
26106-060222	24	4
26106-060302	21	18
26106-060402	7	17
26106-060652	6	49
26106-080122	1	43
26106-080352	1	34
26106-100122	2	11

Parts No.	Fig. No.	Ref. No.
26106-100302	23	19
26216-080182	8	3
26226-060182	1	23
26226-060222	1	24
26226-060352	7	18
26226-060552	6	33
26306-080002	8	4
26366-060002	1	25
	6	34
26557-040082	17	6
26557-060142	4	9
26577-060142	25	7
26716-080002	23	20
26756-060002	21	13
26757-060002	21	14
26776-100002	21	27
26856-060002	6	19
		23
714210-61701	15	31
714310-22500	13	3
714310-22540	13	13
714310-22550	13	19
714310-28510	14	1
71431C-23010	13	24
714320-22580	13	17
714320-22620	13	11
714320-22720	13	1
71432C-14010	9	1
714339-51420	20	1
714339-53100	20	23
714650-23600	13	29
714650-23610	13	31
714650-23620	13	33
X2114274200	23	18
X2114715500	23	4
X2114811000	23	3
X211485016	23	11

Parts No.	Fig. No.	Ref. No.
-----------	----------	----------

Parts No.	Fig. No.	Ref. No.
-----------	----------	----------