

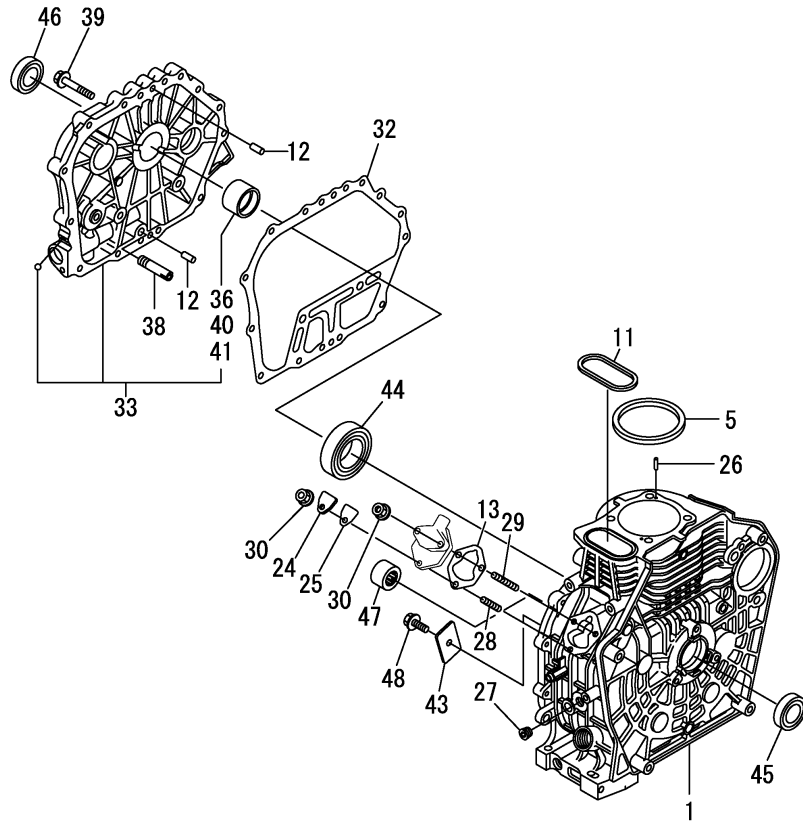
0CB50-M00290EN

Contents

OCB50-M00290

Fig. No.	Fig. Name	Fig. No.	Fig. Name
ENGINE			
1.	CYLINDER BLOCK		
2.	DRAIN PLUG		
3.	REMOTE DECOMP DEVICE		
4.	LABEL		
5.	CYLINDER HEAD & BONNET		
6.	AIR CLEANER		
7.	EXHAUST MUFFLER		
8.	CAMSHAFT		
9.	CRANKSHAFT		
10.	FLYWHEEL		
11.	PISTON & CONNECTING ROD		
12.	BALANCER SHAFT		
13.	LUB. OIL PUMP & GOVERNOR		
14.	SWITCH(OIL PRESSURE)		
15.	COVER		
16.	COOLING FAN CASE		
17.	FUEL INJECTION PUMP & FUEL INJECTION VALVE		
18.	CONTROL DEVICE		
19.	RECOIL STARTER		
20.	STARTER MOTOR		
21.	ELECTRIC PARTS		
22.	DYNAMO		
23.	ACCESSORY		
24.	GASKET SET & TOOL		

Fig.1. CYLINDER BLOCK



(A)=L70W6-GEY
(B)=
(C)=

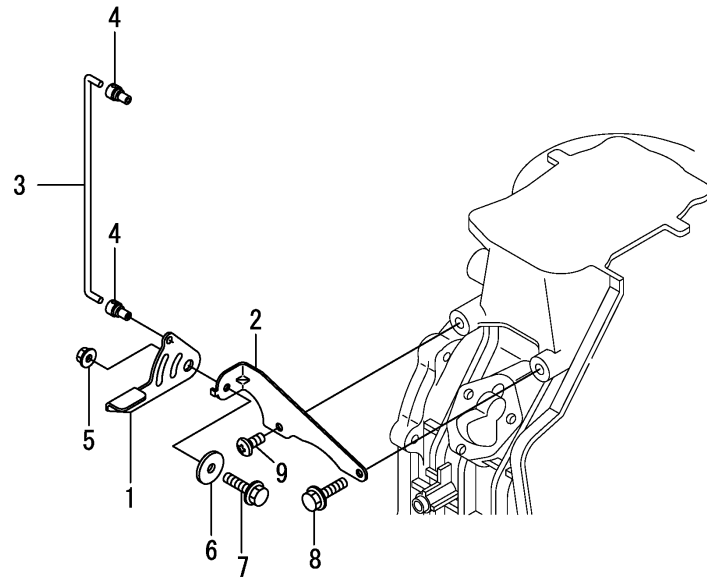
(D)=
(E)=
(F)=

No.	Lev.	Parts No.	Description	Q'ty						I	R
				(A)	(B)	(C)	(D)	(E)	(F)		
1	1	1142A0-01010	BLOCK ASSY, CYLINDER	1							
5	1	114395-01331	GASKET, HEAD	1							
11	1	114399-01380	O-RING	1							
12	1	114299-01600	PIN, 8X12	2							
13	1	114299-01800	SHIM SET	1							
24	1	114299-01830	COVER	1							
25	1	114250-01841	GASKET	1							
26	1	22312-040080	PIN, PARALLEL M4X 8	2							
27	1	23875-020000	PLUG, R02	1							
28	1	26226-060182	STUD, M6X 18	1							
29	1	26226-060222	STUD, M6X 22	2							
30	1	26366-060002	NUT, M6	3							
32	1	114399-01410	GASKET, CRANK CASE	1							
33	1	114210-01460	COVER(D, CRANK CASE	1							
36	2	114350-02100	BEARING, MAIN	1							1
38	1	114299-35150	PIPE, OIL INLET	1							
39	1	26106-080352	BOLT, M8X 35 PLATED	15							
40	1	114350-02200	BEARING, 0.25 US	1							2
41	1	114350-02210	BEARING, 0.50 US	1							3
43	1	114299-02030	RETAINER, BEARING	1							
44	1	114350-02113	BEARING, B35-135G3C3	1							
45	1	160110-02220	SEAL, OIL	1							
46	1	160110-02220	SEAL, OIL	1							
47	1	24162-152116	BEARING, 152116	1							
48	1	26106-080122	BOLT, M8X 12 PLATED	1							

Remarks

- (1) Spare parts.
- (2) Under-sized(U.S.=0.25) parts.
- (3) Under-sized(U.S.=0.50) parts.

Fig.3. REMOTE DECOMP DEVICE



(A)=L70W6-GEY
(B)=
(C)=

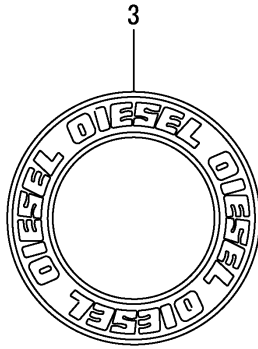
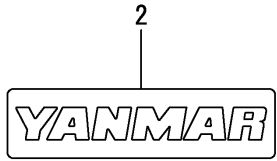
(D)=
(E)=
(F)=

No.	Lev.	Parts No.	Description	Q'ty						I	R
				(A)	(B)	(C)	(D)	(E)	(F)		
1	1	183250-03410	LEVER, DECOMPRESSION	1							
2	1	114210-03450	BRACKET, LEVER	1							
3	1	114220-03510	LINK, DECOMPRESSION	1							
4	1	183250-03550	JOINT	2							
5	1	114299-12300	NUT	1							
6	1	160670-66350	COLLAR	1							
7	1	26106-060142	BOLT, M6X 14 PLATED	1							
8	1	26106-060142	BOLT, M6X 14 PLATED	1							
9	1	26557-060142	SCREW M 6X 14	1							

Fig.4. LABEL

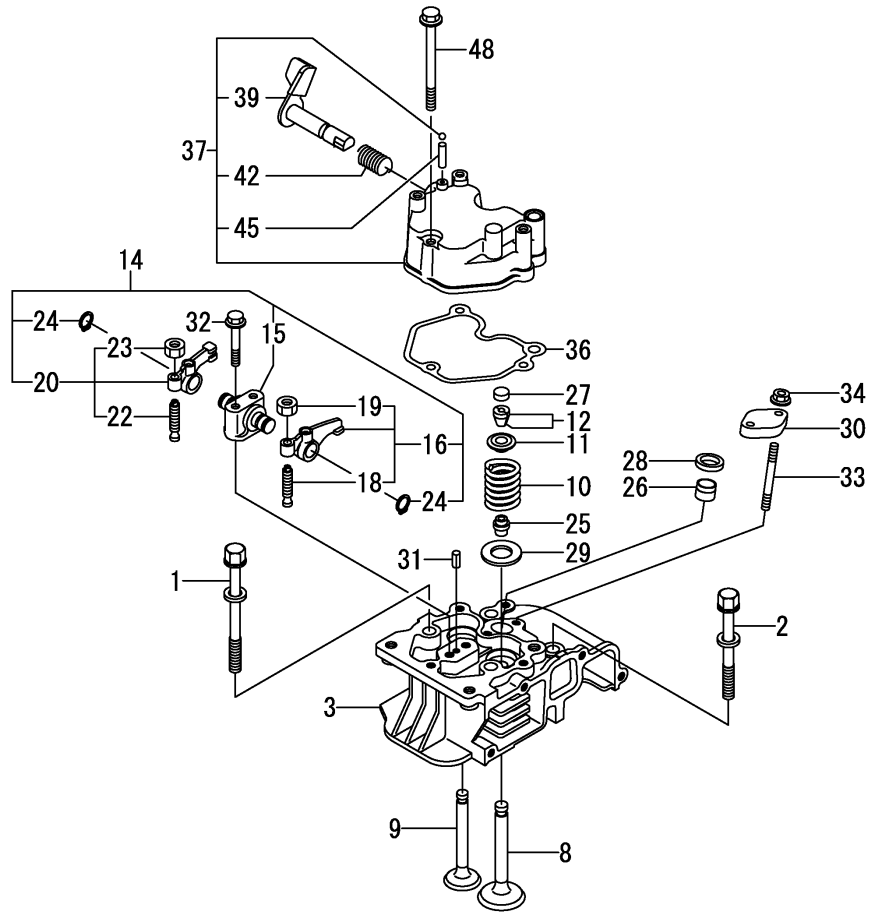
(A)=L70W6-GEY
(B)=
(C)=

(D)=
(E)=
(F)=



No.	Lev.	Parts No.	Description	Q'ty						I	R	
				(A)	(B)	(C)	(D)	(E)	(F)			
2	1	114299-07111	LABEL, YANMAR MARK B	1								
3	1	114299-07160	LABEL, DIESEL	1								
7	1	114110-07761	LABEL, FUEL OIL CAUT	1								

Fig.5. CYLINDER HEAD & BONNET

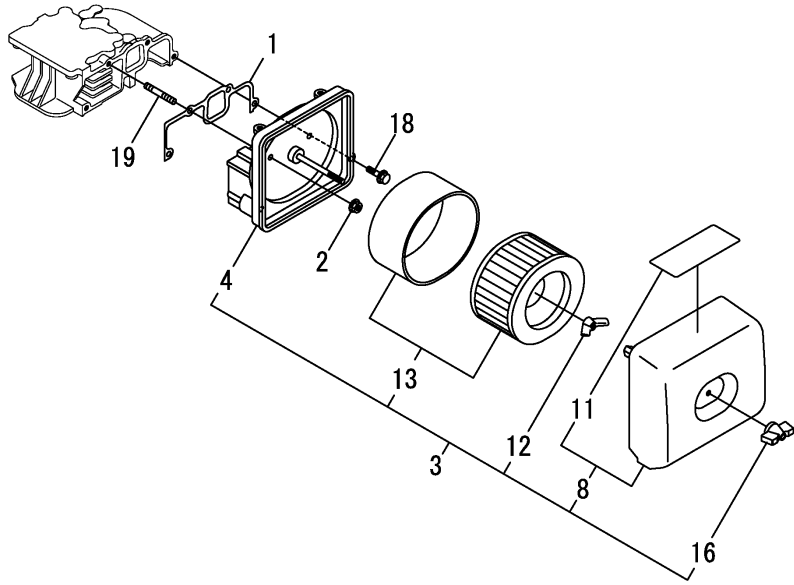


(A)=L70W6-GEY
(B)=
(C)=

(D)=
(E)=
(F)=

No.	Lev.	Parts No.	Description	Q'ty						I	R
				(A)	(B)	(C)	(D)	(E)	(F)		
1	1	114210-01200	BOLT, CYL.HEAD A	2							
2	1	114210-01210	BOLT, CYL.HEAD B	2							
3	1	1142A0-11020	HEAD ASSY, CYLINDER	1							
8	1	11421C-11100	VALVE, INTAKE	1							
9	1	11421C-11110	VALVE, EXHAUST	1							
10	1	114210-11120	SPRING, VALVE	2							
11	1	114210-11180	RETAINER, SPRING	2							
12	1	114210-11930	COTTER ASSY	2							
14	1	11421C-11250	SUPPORT ASSY, ARM	1							
15	2	11421C-11260	SUPPORT, ROCKER ARM	1							
16	2	11421C-11650	ARM ASSY, ROCKER	1							
18	3	114250-11240	SCREW, VALVE ADJUST	1							
19	3	26856-060002	NUT, M6	1							
20	2	11421C-11660	ARM ASSY, ROCKER	1							
22	3	114250-11240	SCREW, VALVE ADJUST	1							
23	3	26856-060002	NUT, M6	1							
24	2	22242-000120	RING, 12	2							
25	1	114350-11341	SEAL, VALVE STEM	2							
26	1	114240-11450	PROTECTOR, NOZZLE	1							
27	1	105010-11490	CAP, VALVE	2							
28	1	114240-11550	SEAT, NOZZLE	1							
29	1	114299-11600	WASHER, VALVE SPRING	2							
30	1	114210-11901	RETAINER, NOZZLE	1							
31	1	22351-040008	PIN, SPRING 4.0X 8	1							
32	1	26106-060402	BOLT, M6X 40 PLATED	2							
33	1	26226-060552	STUD, M6X 55	2							
34	1	26366-060002	NUT, M6	2							
36	1	114210-11310	GASKET, BONNET	1							
37	1	114210-11960	BONNET ASSY, HEAD	1							
39	2	114210-03580	DECOMPRESSION ASSY	1							
42	2	114299-03640	SPRING,DECOMPRESSION	1							
45	2	22312-030160	PIN, PARALLEL M3X16	1							
48	1	26106-060552	BOLT, M6X 55 PLATED	3							

Fig.6. AIR CLEANER



(A)=L70W6-GEY
(B)=
(C)=

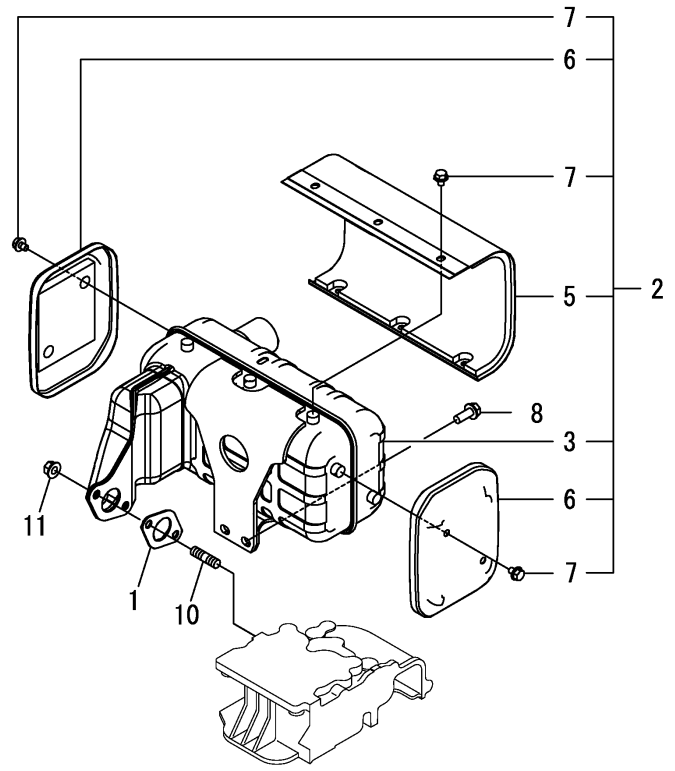
(D)=
(E)=
(F)=

No.	Lev.	Parts No.	Description	Q'ty						I	R
				(A)	(B)	(C)	(D)	(E)	(F)		
1	1	114210-12210	GASKET, AIR CLEANER	1							
2	1	114299-12300	NUT	3							
3	1	114210-12511	CLEANER ASSY, AIR	1							
4	2	114210-12010	BODY ASSY, AIR CLNR	1							
8	2	114210-12500	COVER ASSY, AIR CLNR	1							
11	3	114210-12610	LABEL, AIR CLEANER	1							
12	2	114210-12560	NUT, WING	1							
13	2	114210-12590	ELEMENT ASSY, AIR	1							
16	2	114210-12600	LOCKING KNOB	1							
18	1	26106-060202	BOLT, M6X 20 PLATED	1							
19	1	26226-060302	STUD, M6X 30	3							

Fig.7. EXHAUST MUFFLER

(A)=L70W6-GEY
(B)=
(C)=

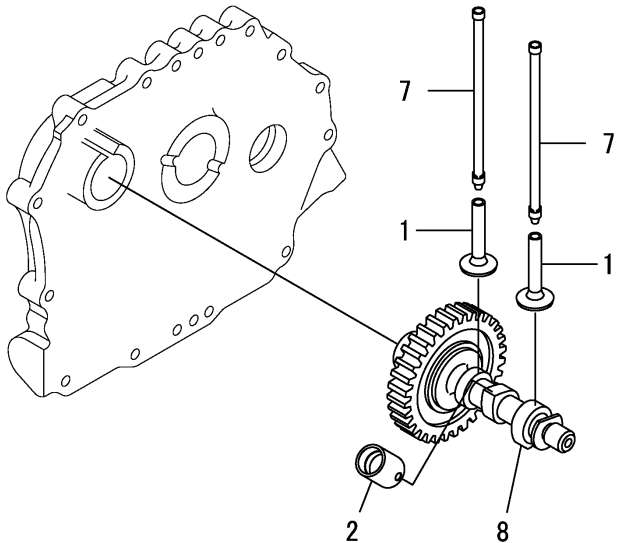
(D)=
(E)=
(F)=



No.	Lev.	Parts No.	Description	Q'ty						I	R
				(A)	(B)	(C)	(D)	(E)	(F)		
1	1	114299-13200	GASKET, MUFFLER	1							
2	1	1142A0-13500	MUFFLER ASSY	1							
3	2	1142A0-13560	MUFFLER	1							
5	2	1143A0-13700	COVER, MUFFLER A	1							
6	2	1143A0-13710	COVER, MUFFLER B	2							
7	2	114252-13950	BOLT, M6X8	10							
8	1	26106-080202	BOLT, M8X 20 PLATED	2							
10	1	26216-080182	STUD, M8X 18	2							
11	1	26306-080002	NUT, M8	2							

(A)=L70W6-GEY
 (B)=
 (C)=

(D)=
 (E)=
 (F)=

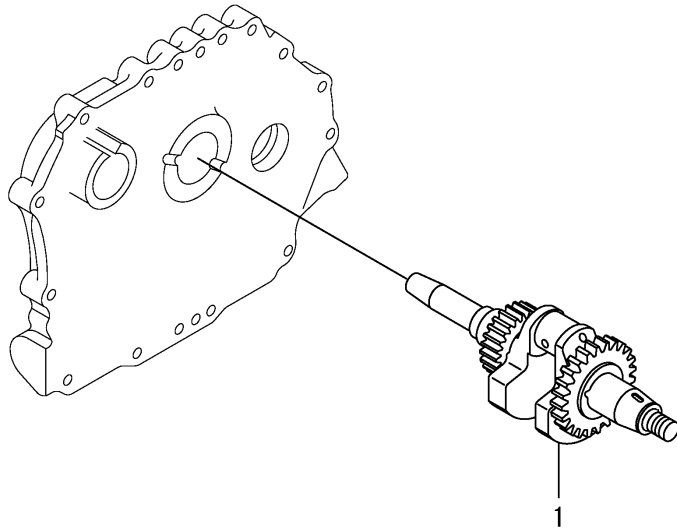


No.	Lev.	Parts No.	Description	Q'ty						I	R
				(A)	(B)	(C)	(D)	(E)	(F)		
1	1	114210-14200	TAPPET	2							
2	1	114210-14300	TAPPET ASSY, ROLLER	1							
7	1	114210-14400	ROD ASSY, PUSH	2							
8	1	114210-14580	CAMSHAFT ASSY	1							

Fig.9. CRANKSHAFT

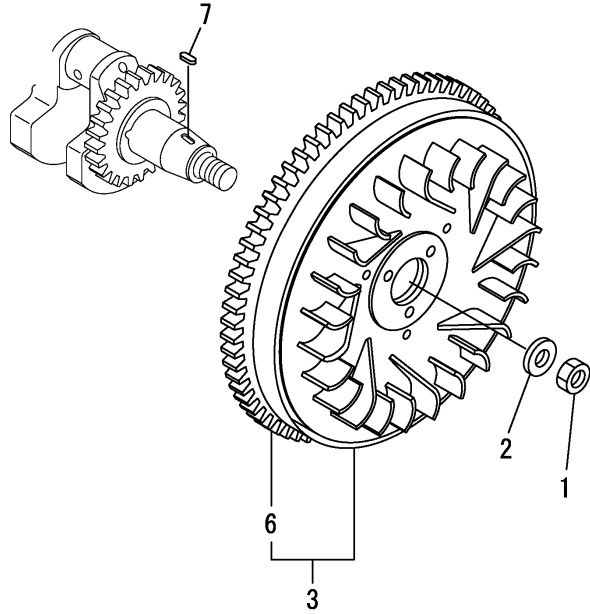
(A)=L70W6-GEY
(B)=
(C)=

(D)=
(E)=
(F)=



No.	Lev.	Parts No.	Description	Q'ty						I	R
				(A)	(B)	(C)	(D)	(E)	(F)		
1	1	11421C-21820	CRANKSHAFT ASSY,DG	1							

Fig.10. FLYWHEEL



(A)=L70W6-GEY
(B)=
(C)=

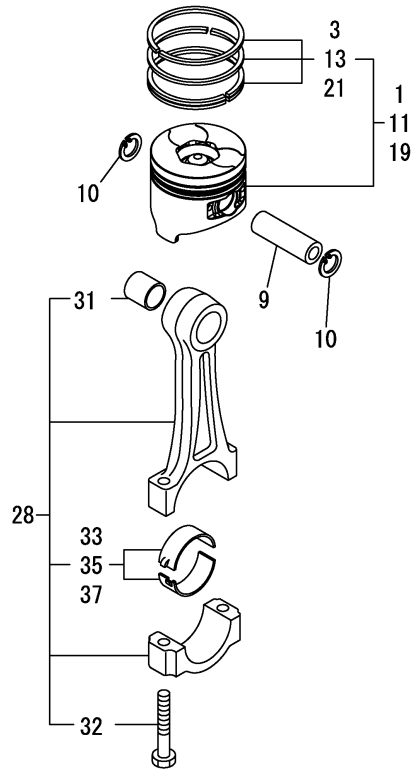
(D)=
(E)=
(F)=

No.	Lev.	Parts No.	Description	Q'ty						I	R
				(A)	(B)	(C)	(D)	(E)	(F)		
1	1	114299-21220	NUT	1							
2	1	114299-21550	WASHER	1							
3	1	114399-21590	FLYWHEEL ASSY	1							
6	2	114399-21600	GEAR, RING	1							
7	1	22512-040120	KEY, 4X 12	1							

Fig.11. PISTON & CONNECTING ROD

(A)=L70W6-GEY
(B)=
(C)=

(D)=
(E)=
(F)=



No.	Lev.	Parts No.	Description	Q'ty						I	R
				(A)	(B)	(C)	(D)	(E)	(F)		
1	1	714210-22721	PISTON ASSY, D	1							
3	2	714870-22502	RING SET, PISTON	1							
9	1	114399-22300	PIN, PISTON D=21	1							
10	1	22252-000210	RING, 21	2							
11	1	114240-22040	PISTON W/RING .25OS	1							1
13	2	114220-22140	RING SET O.S=0.25	1							1
19	1	114240-22050	PISTON W/RING .50OS	1							2
21	2	114220-22150	RING SET O.S=0.50	1							2
28	1	71421C-23010	ROD ASSY, CONNECTING	1							
31	3	114380-23100	BEARING, PISTON PIN	1							
32	3	118200-23200	BOLT, CONNECTING ROD	2							
33	2	114210-23600	BEARING, CRANK PIN	1							
35	1	114210-23610	BEARING,PIN(U.S=0.25	1							3
37	1	114210-23620	BEARING,PIN(U.S=0.50	1							4

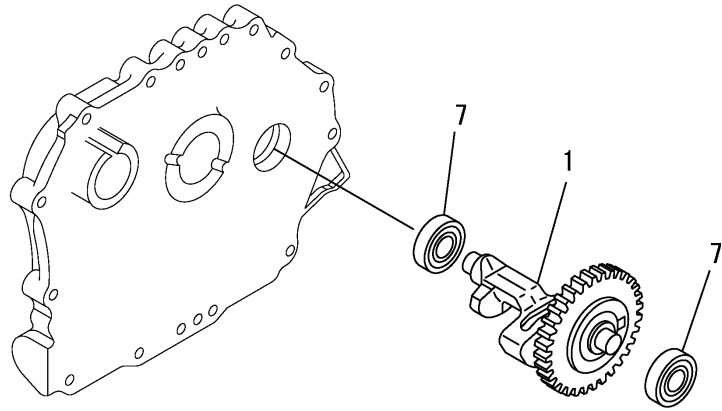
Remarks

- (1)Over-sized(O.S.=0.25) parts.
- (2)Over-sized(O.S.=0.50) parts.
- (3)Under-sized(U.S.=0.25) parts.
- (4)Under-sized(U.S.=0.50) parts.

Fig.12. BALANCER SHAFT

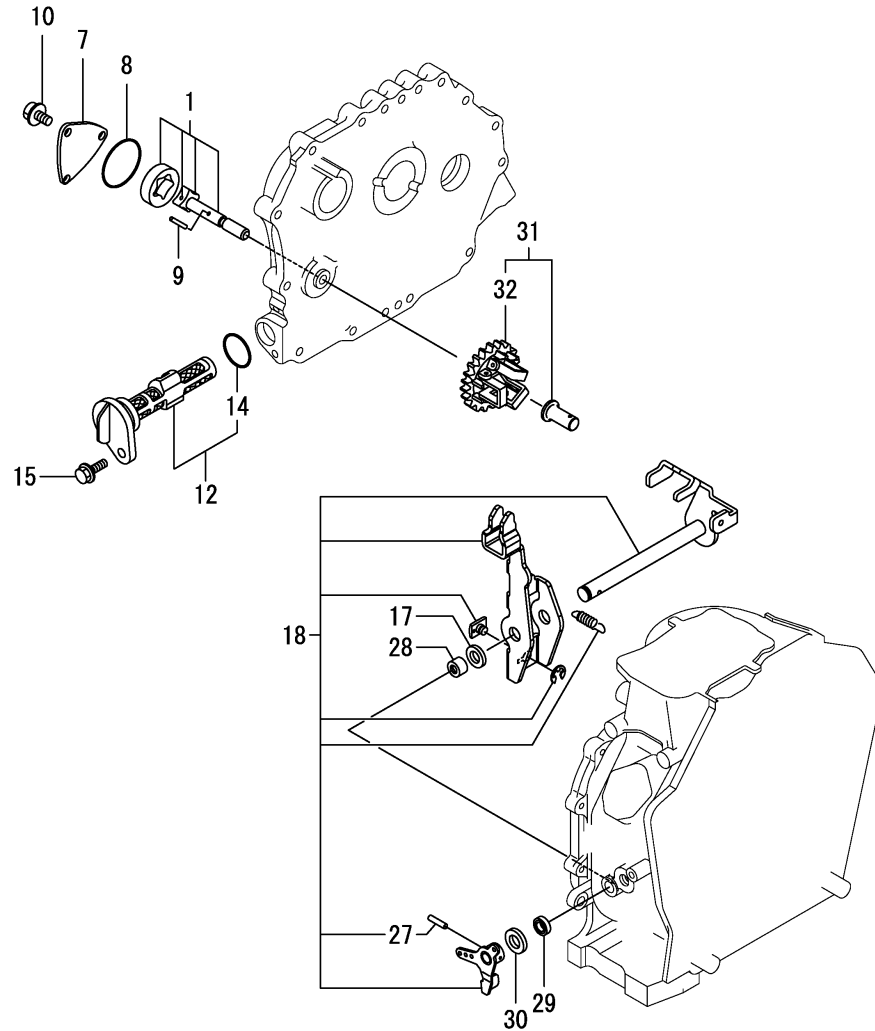
(A)=L70W6-GEY
(B)=
(C)=

(D)=
(E)=
(F)=



No.	Lev.	Parts No.	Description	Q'ty						I	R
				(A)	(B)	(C)	(D)	(E)	(F)		
1	1	714210-28510	SHAFT ASSY, BALANCER	1							
7	1	24101-062030	BEARING, BALL 6203C3	2							

Fig.13. LUB. OIL PUMP & GOVERNOR



(A)=L70W6-GEY
(B)=
(C)=

(D)=
(E)=
(F)=

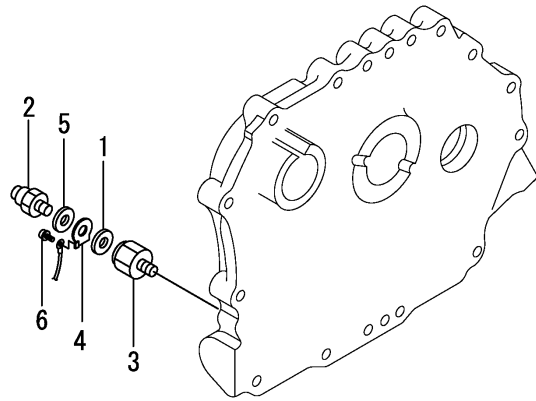
No.	Lev.	Parts No.	Description	Q'ty						I	R
				(A)	(B)	(C)	(D)	(E)	(F)		
1	1	114250-32010	PUMP ASSY, OIL	1							
7	1	114299-32070	COVER	1							
8	1	114299-32570	O-RING	1							
9	1	22312-030160	PIN, PARALLEL M3X16	1							
10	1	26106-060122	BOLT, M6X 12 PLATED	3							
12	1	114299-35110	FILTER ASSY, OIL	1							
14	2	24341-000224	O-RING, 1AS22.4	1							
15	1	26106-060162	BOLT, M6X 16 PLATED	1							
17	1	114299-61190	WASHER	1							
18	1	114211-61500	LEVER ASSY, GOVERNOR	1							1
27	2	22322-030200	PIN, TAPER 3X20	1							
28	1	114770-61520	BEARING, NEEDLE	2							
29	1	114299-61600	SEAL, OIL	1							
30	1	114770-61610	WASHER, THRUST	1							
31	1	714210-61701	GOVERNOR ASSY	1							
32	2	114210-61290	WEIGHT ASSY, GOVERNOR	1							

Remarks

(1) On a guarantee of quality component parts shall not be sold.

N:Old $\xrightarrow{\text{Yes}}$ New, Q:Old $\xrightarrow{\text{No}}$ New, R:Old $\xrightarrow{\text{Yes}}$ New, S:Old $\xrightarrow{\text{No}}$ New, W:Add, Z:Discontinued, F:Interchangeable by set, K:Q'ty Change

Fig.14. SWITCH(OIL PRESSURE)



(A)=L70W6-GEY
(B)=
(C)=

(D)=
(E)=
(F)=

No.	Lev.	Parts No.	Description	Q'ty						I	R
				(A)	(B)	(C)	(D)	(E)	(F)		
1	1	114110-39291	WASHER, RUBBER	1							
2	1	183250-39450	SWITCH, HYDRAULIC	1							
3	1	183366-39460	JOINT	1							
4	1	171022-39470	TERMINAL, EARTH	1							
5	1	22117-100000	WASHER, 10	1							
6	1	26557-040082	SCREW, M4X 8	1							

Fig.15. COVER

(A)=L70W6-GEY
(B)=
(C)=

(D)=
(E)=
(F)=

No.	Lev.	Parts No.	Description	Q'ty						I	R
				(A)	(B)	(C)	(D)	(E)	(F)		
1	1	114299-45220	GROMMET	1							
2	1	114210-45260	COVER B, SIDE (13)	1							
3	1	114399-45320	RUBBER, SEAL	1							
4	1	114399-45340	COLLAR	1							
5	1	26106-060202	BOLT, M6X 20 PLATED	1							

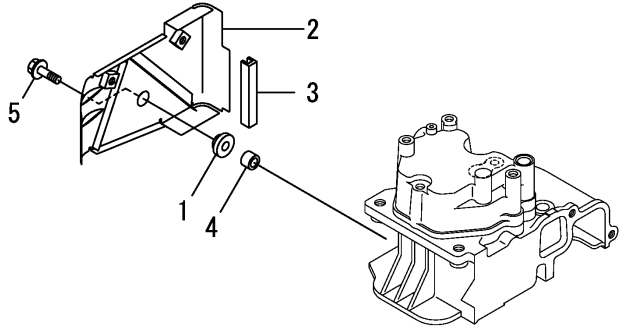
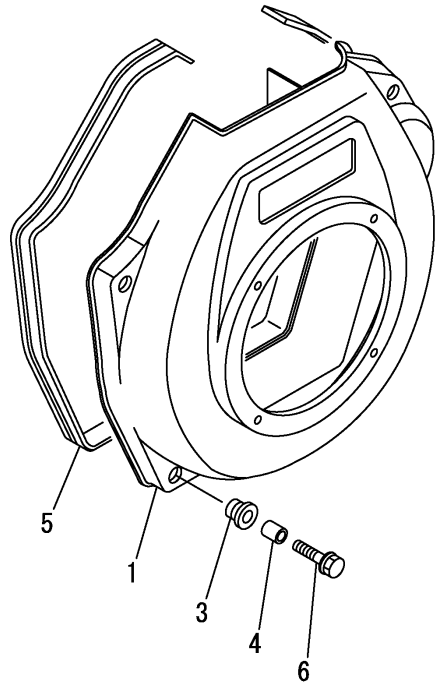


Fig.16. COOLING FAN CASE

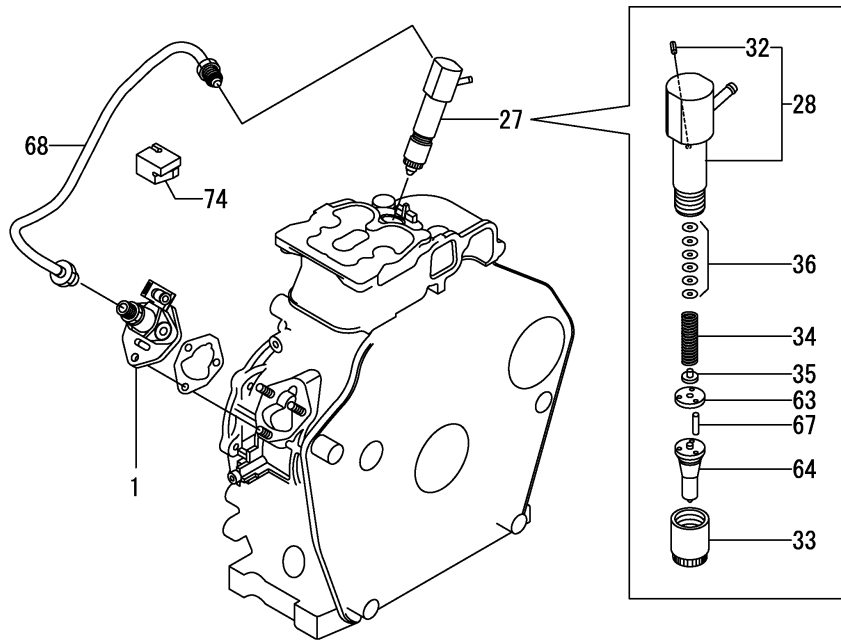


(A)=L70W6-GEY
(B)=
(C)=

(D)=
(E)=
(F)=

No.	Lev.	Parts No.	Description	Q'ty						I	R
				(A)	(B)	(C)	(D)	(E)	(F)		
1	1	114210-45150	CASE, COOLING FAN	1							
3	1	114299-45301	RUBBER, CUSHION	4							
4	1	114299-45310	COLLAR	4							
5	1	114299-45331	SEAL, FAN CASE	1							
6	1	114299-45350	BOLT, FAN CASE	4							

Fig.17. FUEL INJECTION PUMP & FUEL INJECTION VALVE



(A)=L70W6-GEY
(B)=
(C)=

(D)=
(E)=
(F)=

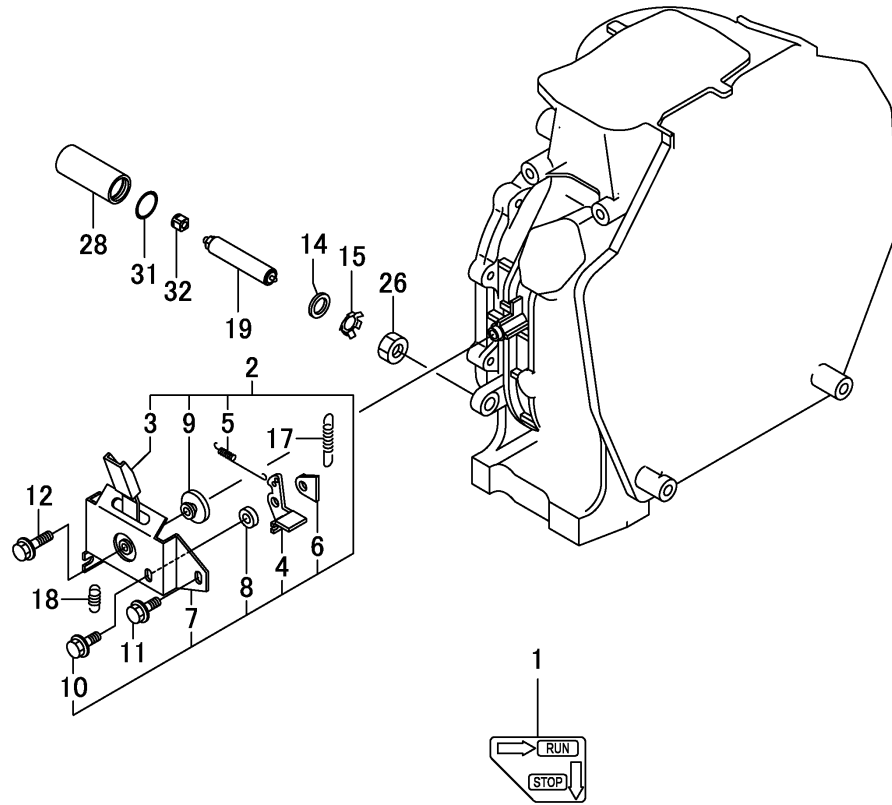
No.	Lev.	Parts No.	Description	Q'ty						I	R
				(A)	(B)	(C)	(D)	(E)	(F)		
1	1	714249-51420	PUMP ASSY, INJECTION	1							1
27	1	714249-53100	VALVE ASSY, INJECTION	1							
28	2	114339-53100	HOLDER ASSY, NOZZLE	1							
32	3	22351-025005	PIN, SPRING 2.5X 6	1							
33	2	114250-53080	NUT, NOZZLE	1							
34	2	114250-53120	SPRING, NOZZLE	1							
35	2	114250-53130	SEAT, SPRING	1							
36	2	119803-53400	SHIM SET	1							
63	2	114250-53140	SPACER	1							
64	2	114249-53000	NOZZLE ASSY	1							
67	2	114250-53210	PIN	2							
68	1	114210-59820	PIPE ASSY, INJECTION	1							
74	1	114210-59850	SUPPORT, INJ. PIPE	1							

Remarks

(1) On a guarantee of quality component parts shall not be sold.

N:Old $\xrightarrow{\text{Yes}}$ New, Q:Old $\xrightarrow{\text{No}}$ New, R:Old $\xrightarrow{\text{Yes}}$ New, S:Old $\xrightarrow{\text{No}}$ New, W:Add, Z:Discontinued, F:Interchangeable by set, K:Q'ty Change

Fig.18. CONTROL DEVICE

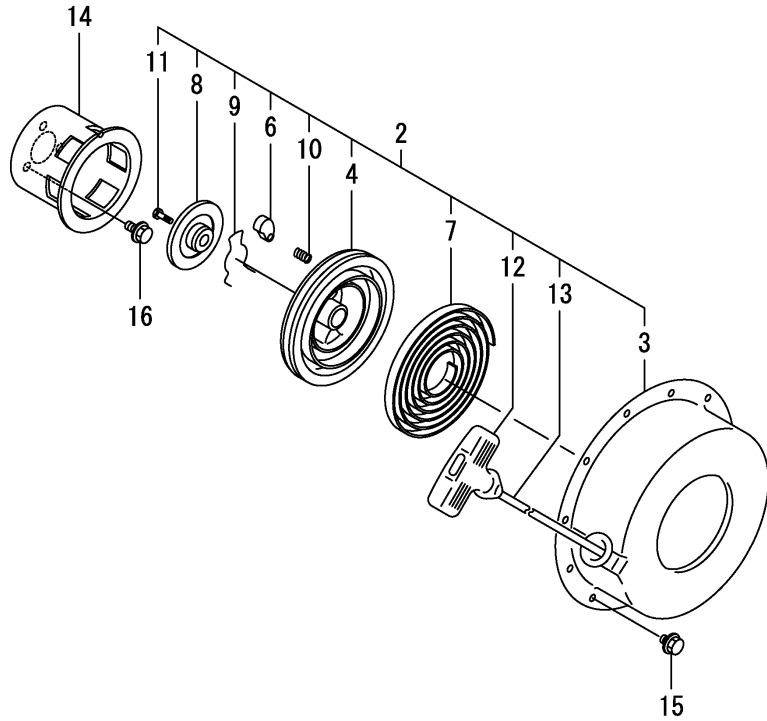


(A)=L70W6-GEY
(B)=
(C)=

(D)=
(E)=
(F)=

No.	Lev.	Parts No.	Description	Q'ty						I	R
				(A)	(B)	(C)	(D)	(E)	(F)		
1	1	114210-07150	LABEL,CONSTANT SPEED	1							
2	1	114210-66511	BRACKET ASSY, HANDLE	1							
3	2	114210-66300	HANDLE	1							
4	2	183250-66321	LEVER, LOCK	1							
5	2	114210-66330	SPRING,LOCK LEVER	1							
6	2	183250-66341	NUT, DETENT	1							
7	2	114210-66350	BRACKET	1							
8	2	183250-66361	COLLAR	1							
9	2	183250-66371	COLLAR	1							
10	2	26106-060162	BOLT, M6X 16 PLATED	1							
11	1	26106-060142	BOLT, M6X 14 PLATED	1							
12	1	26106-060202	BOLT, M6X 20 PLATED	1							
14	1	114295-61810	WASHER, PLAIN 14	1							
15	1	114771-61830	PLATE	1							
17	1	114210-66010	SPRING, REGULATOR	1							
18	1	114299-66201	SPRING, RETURN	1							
19	1	1142A0-66600	LIMITER ASSY, FO	1							
26	1	114295-66690	NUT, M14X1.25	1							
28	1	114295-61980	PROTECTOR ASSY	1							
31	2	24311-000180	O-RING, 1AP18.0	1							
32	1	1142A0-66700	CAP, FO LIMITER	1							

Fig.19. RECOIL STARTER



(A)=L70W6-GEY
(B)=
(C)=

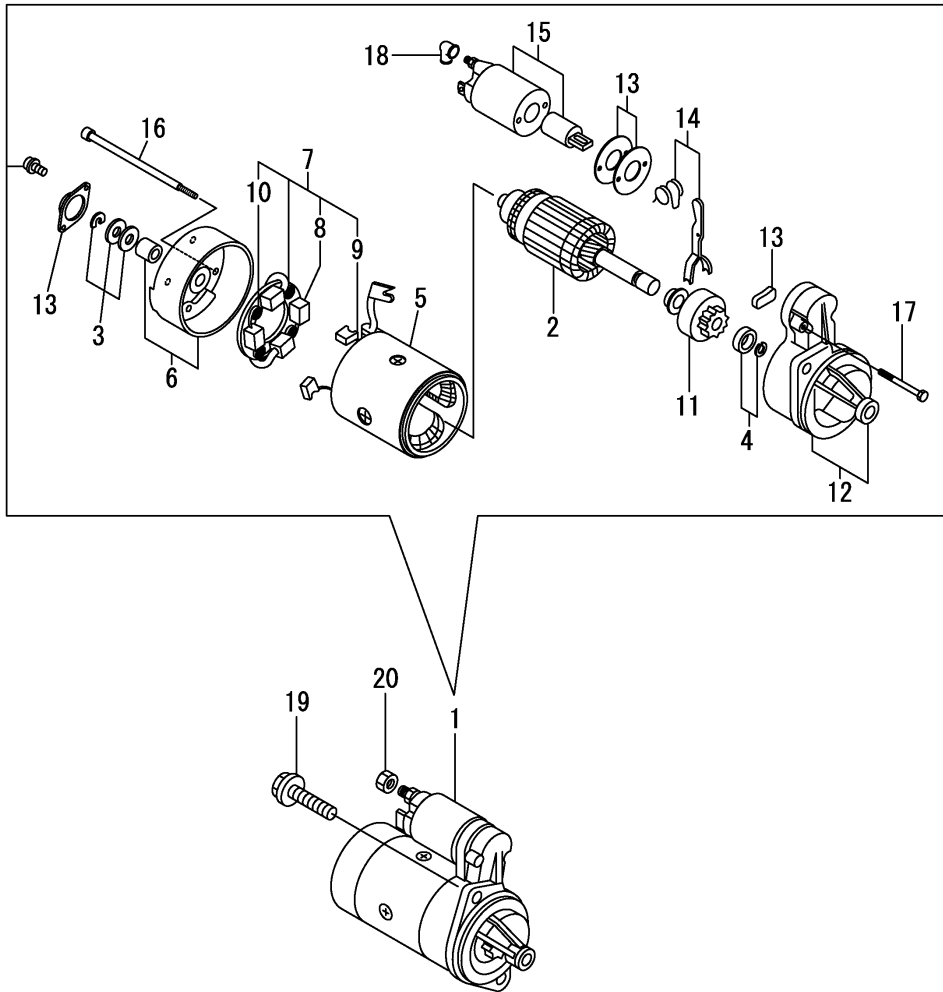
(D)=
(E)=
(F)=

No.	Lev.	Parts No.	Description	Q'ty						I	R
				(A)	(B)	(C)	(D)	(E)	(F)		
2	2	114399-76251	RECOIL STARTER(D)ASY	1							
3	3	114399-76510	CASE, STARTER	1							
4	3	114399-76521	REEL, RECOIL	1							
6	3	114399-76600	RATCHET	1							
7	3	114399-76540	SPRING, SPIRAL	1							
8	3	114399-76550	COVER	1							
9	3	114399-76560	SPRING	1							
10	3	114399-76570	SPRING, RETURN	1							
11	3	114399-76580	SCREW	1							
12	3	114399-76620	KNOB, STARTER	1							
13	3	114399-76630	ROPE, STARTER	1							
14	2	114399-76590	PULLEY, STARTER	1							
15	1	26106-060082	BOLT, M6X 8 PLATED	4							
16	1	26106-060122	BOLT, M6X 12 PLATED	3							

Fig.20. STARTER MOTOR

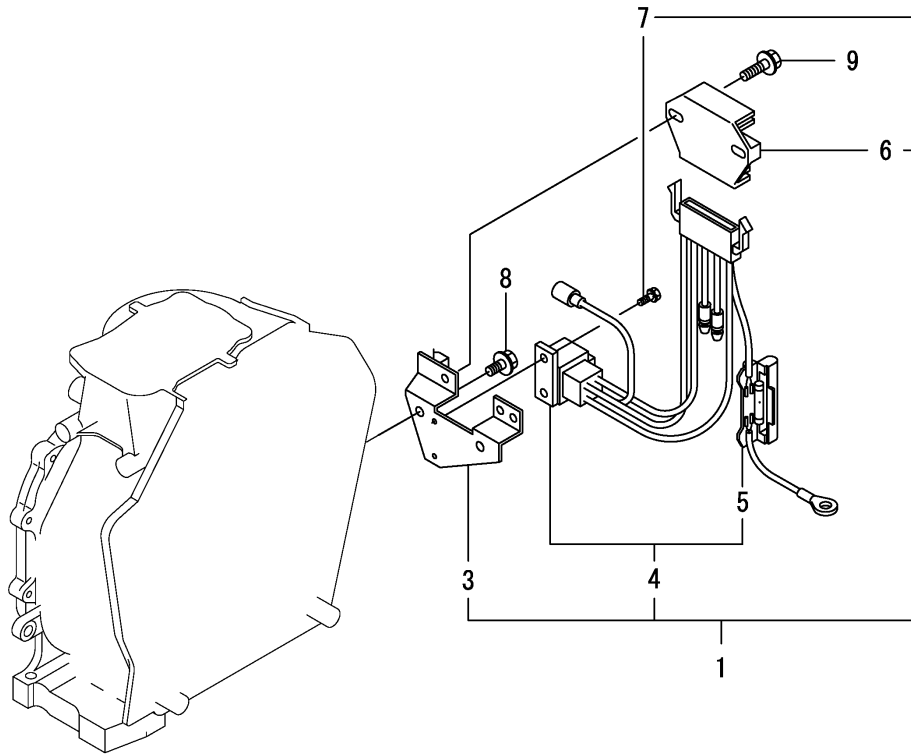
(A)=L70W6-GEY
(B)=
(C)=

(D)=
(E)=
(F)=



No.	Lev.	Parts No.	Description	Q'ty						I	R
				(A)	(B)	(C)	(D)	(E)	(F)		
1	1	114362-77011	STARTER ASSY	1							
2	2	114381-77110	ARMATURE	1							
3	2	X2114811000	WASHER KIT, THRUST	1							
4	2	X2114715500	STOPPER SET, PINION	1							
5	2	114381-77130	COIL ASSY, FIELD	1							
6	2	114381-77140	COVER	1							
7	2	114371-77160	HOLDER ASSY, BRUSH	1							
8	3	114371-79040	BRUSH	2							
9	3	114371-79050	BRUSH	1							
10	3	114371-79060	SPRING, BRUSH	4							
11	2	X211485016	PINION ASSY	1							
12	2	114381-77151	CASE ASSY	1							
13	2	114371-77170	COVER KIT, DUST	1							
14	2	114371-77180	LEVER KIT, SHIFT	1							
15	2	124298-77020	SWITCH, MAGNET	1							
16	2	124195-77770	BOLT, THROUGH	2							
17	2	114371-79070	BOLT	2							
18	2	X2114274200	COVER, TERMINAL	1							
19	1	26106-100302	BOLT, M10X 30 PLATED	2							
20	1	26716-080002	NUT, M8	1							

Fig.21. ELECTRIC PARTS

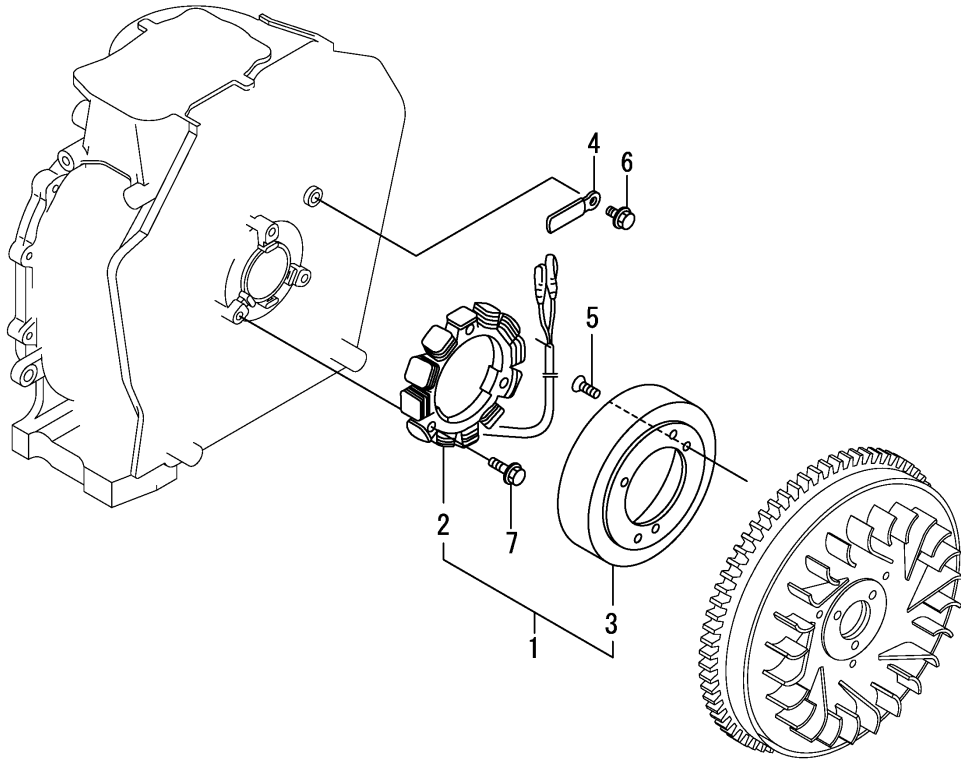


(A)=L70W6-GEY
(B)=
(C)=

(D)=
(E)=
(F)=

No.	Lev.	Parts No.	Description	Q'ty						I	R
				(A)	(B)	(C)	(D)	(E)	(F)		
1	1	114399-77550	REG. & HARNESS ASSY	1							
3	3	114399-77400	BRACKET, HARNESS	1							
4	3	114399-77540	HARNESS, WIRE	1							
5	4	114399-78000	FUSE(20A	1							
6	2	114399-77710	REGULATOR	1							
7	2	26023-040102	SCREW, M4X10	2							
8	1	26106-060122	BOLT, M6X 12 PLATED	2							
9	1	26106-060202	BOLT, M6X 20 PLATED	2							

Fig.22. DYNAMO



(A)=L70W6-GEY
(B)=
(C)=

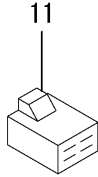
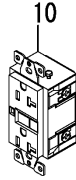
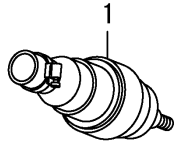
(D)=
(E)=
(F)=

No.	Lev.	Parts No.	Description	Q'ty						I	R
				(A)	(B)	(C)	(D)	(E)	(F)		
1	1	114399-78260	DYNAMO ASSY	1							
2	2	114399-78730	STATOR ASSY	1							
3	2	114399-78740	WHEEL, DYNAMO	1							
4	1	160710-78710	CLAMP, CORD	1							
5	1	114210-78800	SCREW,COUNTERSUNK M6	3							
6	1	26106-060122	BOLT, M6X 12 PLATED	1							
7	1	26106-060202	BOLT, M6X 20 PLATED	3							

Fig.23. ACCESSORY

(A)=L70W6-GEY
(B)=
(C)=

(D)=
(E)=
(F)=

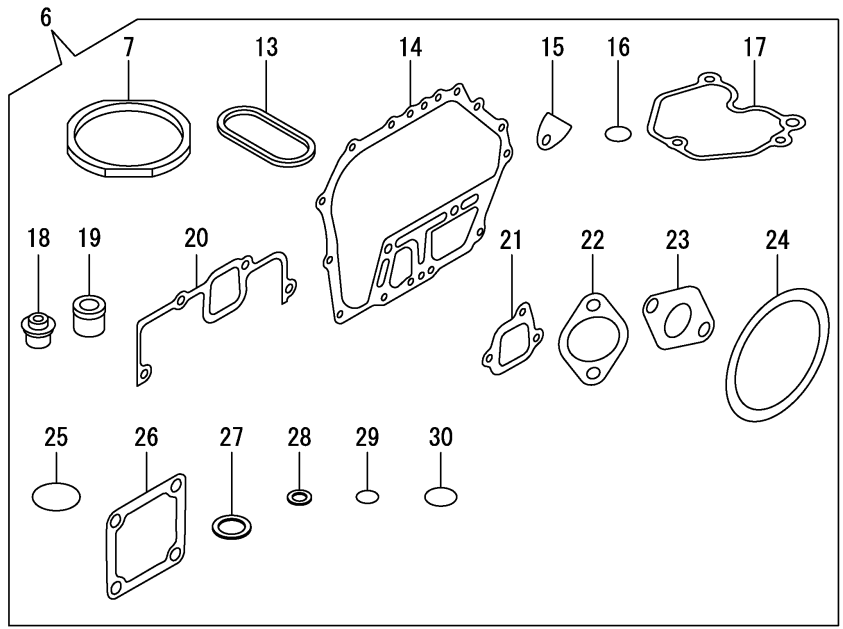
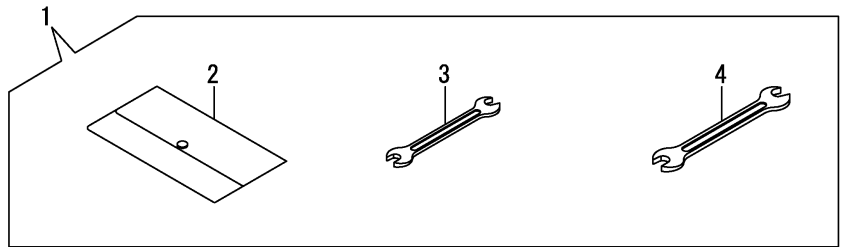


No.	Lev.	Parts No.	Description	Q'ty						I	R
				(A)	(B)	(C)	(D)	(E)	(F)		
1	1	183650-13300	ARRESTER	1							
10	1	114787-91010	SOCKET	1							
11	1	114351-77520	COUPLER	1							

Fig.24. GASKET SET & TOOL

(A)=L70W6-GEY
(B)=
(C)=

(D)=
(E)=
(F)=



No.	Lev.	Parts No.	Description	Q'ty						I	R
				(A)	(B)	(C)	(D)	(E)	(F)		
1	1	114299-92590	BOX, TOOL	1							
2	2	114299-92600	BAG, TOOL	1							
3	2	114299-92710	WRENCH	1							
4	2	114299-92720	WRENCH	1							
6	1	114220-92600	GASKET SET	1							1
7	2	114395-01331	GASKET, HEAD	1							
13	2	114399-01380	O-RING	1							
14	2	114399-01410	GASKET, CRANK CASE	1							
15	2	114250-01841	GASKET	1							
16	2	114299-01950	O-RING, 18	2							
17	2	114210-11310	GASKET, BONNET	1							
18	2	114350-11341	SEAL, VALVE STEM	2							
19	2	114771-11461	GASKET, NOZZLE	1							
20	2	114210-12210	GASKET, AIR CLEANER	1							
21	2	114299-12210	GASKET, AIR CLEANER	2							
22	2	114299-12920	GASKET, AIR CLEANER	1							
23	2	114299-13200	GASKET, MUFFLER	1							
24	2	114399-21980	GASKET	1							
25	2	114299-32570	O-RING	1							
26	2	129100-77510	GASKET, AIR HEATER	3							
27	2	22190-160002	WASHER, SEAL 16	2							
28	2	23414-080000	GASKET, 8X1.0	1							
29	2	24341-000150	O-RING, 1AS15.0	1							
30	2	24341-000224	O-RING, 1AS22.4	1							

Remarks
(1)Optional parts.

Parts No. Index

Parts No.	Fig. No.	Ref. No.
105010-11490	5	27
114110-07761	4	7
114110-39291	14	1
114210-01200	5	1
114210-01210	5	2
114210-01460	1	33
114210-03450	3	2
114210-03580	5	39
114210-07150	18	1
114210-11120	5	10
114210-11180	5	11
114210-11310	5	36
	24	17
114210-11901	5	30
114210-11930	5	12
114210-11960	5	37
114210-12010	6	4
114210-12210	6	1
	24	20
114210-12500	6	8
114210-12511	6	3
114210-12560	6	12
114210-12590	6	13
114210-12600	6	16
114210-12610	6	11
114210-14200	8	1
114210-14300	8	2
114210-14400	8	7
114210-14580	8	8
114210-23600	11	33
114210-23610	11	35
114210-23620	11	37
114210-45150	16	1
114210-45260	15	2
114210-59820	17	68
114210-59850	17	74
114210-61290	13	32
114210-66010	18	17
114210-66300	18	3
114210-66330	18	5
114210-66350	18	7
114210-66511	18	2
114210-78800	22	5
114211-61500	13	18
11421C-11100	5	8
11421C-11110	5	9
11421C-11250	5	14
11421C-11260	5	15
11421C-11650	5	16
11421C-11660	5	20

Parts No.	Fig. No.	Ref. No.
11421C-21820	9	1
114220-03510	3	3
114220-22140	11	13
114220-22150	11	21
114220-92600	24	6
114240-11450	5	26
114240-11550	5	28
114240-22040	11	11
114240-22050	11	19
114249-53000	17	64
114250-01841	1	25
	24	15
114250-11240	5	18
		22
114250-32010	13	1
114250-53080	17	33
114250-53120	17	34
114250-53130	17	35
114250-53140	17	63
114250-53210	17	67
114252-13950	7	7
114295-61810	18	14
114295-61980	18	28
114295-66690	18	26
114299-01600	1	12
114299-01690	2	1
114299-01800	1	13
114299-01830	1	24
114299-01950	2	4
	24	16
114299-02030	1	43
114299-03640	5	42
114299-07111	4	2
114299-07160	4	3
114299-11600	5	29
114299-12210	24	21
114299-12300	3	5
	6	2
114299-12920	24	22
114299-13200	7	1
	24	23
114299-21220	10	1
114299-21550	10	2
114299-32070	13	7
114299-32570	13	8
	24	25
114299-35110	13	12
114299-35150	1	38
114299-45220	15	1
114299-45301	16	3

Parts No.	Fig. No.	Ref. No.
114299-45310	16	4
114299-45331	16	5
114299-45350	16	6
114299-61190	13	17
114299-61600	13	29
114299-66201	18	18
114299-92590	24	1
114299-92600	24	2
114299-92710	24	3
114299-92720	24	4
1142A0-01010	1	1
1142A0-11020	5	3
1142A0-13500	7	2
1142A0-13560	7	3
1142A0-66600	18	19
1142A0-66700	18	32
114339-53100	17	28
114350-02100	1	36
114350-02113	1	44
114350-02200	1	40
114350-02210	1	41
114350-11341	5	25
	24	18
114351-77520	23	11
114362-77011	20	1
114371-77160	20	7
114371-77170	20	13
114371-77180	20	14
114371-79040	20	8
114371-79050	20	9
114371-79060	20	10
114371-79070	20	17
114380-23100	11	31
114381-77110	20	2
114381-77130	20	5
114381-77140	20	6
114381-77151	20	12
114395-01331	1	5
	24	7
114399-01380	1	11
	24	13
114399-01410	1	32
	24	14
114399-21590	10	3
114399-21600	10	6
114399-21980	24	24
114399-22300	11	9
114399-45320	15	3
114399-45340	15	4
114399-76251	19	2

Parts No.	Fig. No.	Ref. No.
114399-76510	19	3
114399-76521	19	4
114399-76540	19	7
114399-76550	19	8
114399-76560	19	9
114399-76570	19	10
114399-76580	19	11
114399-76590	19	14
114399-76600	19	6
114399-76620	19	12
114399-76630	19	13
114399-77400	21	3
114399-77540	21	4
114399-77550	21	1
114399-77710	21	6
114399-78000	21	5
114399-78260	22	1
114399-78730	22	2
114399-78740	22	3
1143A0-13700	7	5
1143A0-13710	7	6
114699-01760	2	2
114770-61520	13	28
114770-61610	13	30
114771-11461	24	19
114771-61830	18	15
114787-91010	23	10
118200-23200	11	32
119803-53400	17	36
124195-77770	20	16
124298-77020	20	15
129100-77510	24	26
160110-02220	1	45
		46
160670-66350	3	6
160710-78710	22	4
171022-39470	14	4
183250-03410	3	1
183250-03550	3	4
183250-39450	14	2
183250-66321	18	4
183250-66341	18	6
183250-66361	18	8
183250-66371	18	9
183366-39460	14	3
183650-13300	23	1
22117-100000	14	5
22190-160002	2	5
	24	27
22242-000120	5	24

Parts No. Index

Parts No.	Fig. No.	Ref. No.
22252-000210	11	10
22312-030160	5	45
	13	9
22312-040080	1	26
22322-030200	13	27
22351-025005	17	32
22351-040008	5	31
22512-040120	10	7
23414-080000	24	28
23875-020000	1	27
24101-062030	12	7
24162-152116	1	47
24311-000180	18	31
24341-000150	24	29
24341-000224	13	14
	24	30
26023-040102	21	7
26106-060082	19	15
26106-060122	13	10
	19	16
	21	8
	22	6
26106-060142	3	7
		8
	18	11
26106-060162	13	15
	18	10
26106-060202	6	18
	15	5
	18	12
	21	9
	22	7
26106-060402	5	32
26106-060552	5	48
26106-080122	1	48
26106-080202	7	8
26106-080352	1	39
26106-100302	20	19
26216-080182	7	10
26226-060182	1	28
26226-060222	1	29
26226-060302	6	19
26226-060552	5	33
26306-080002	7	11
26366-060002	1	30
	5	34
26557-040082	14	6
26557-060142	3	9
26716-080002	20	20
26856-060002	5	19

Parts No.	Fig. No.	Ref. No.
26856-060002	5	23
714210-22721	11	1
714210-28510	12	1
714210-61701	13	31
71421C-23010	11	28
714249-51420	17	1
714249-53100	17	27
714870-22502	11	3
X2114274200	20	18
X2114715500	20	4
X2114811000	20	3
X211485016	20	11

Parts No.	Fig. No.	Ref. No.
-----------	----------	----------

Parts No.	Fig. No.	Ref. No.
-----------	----------	----------