

0CB50-M00210EN

Contents

OCB50-M00210

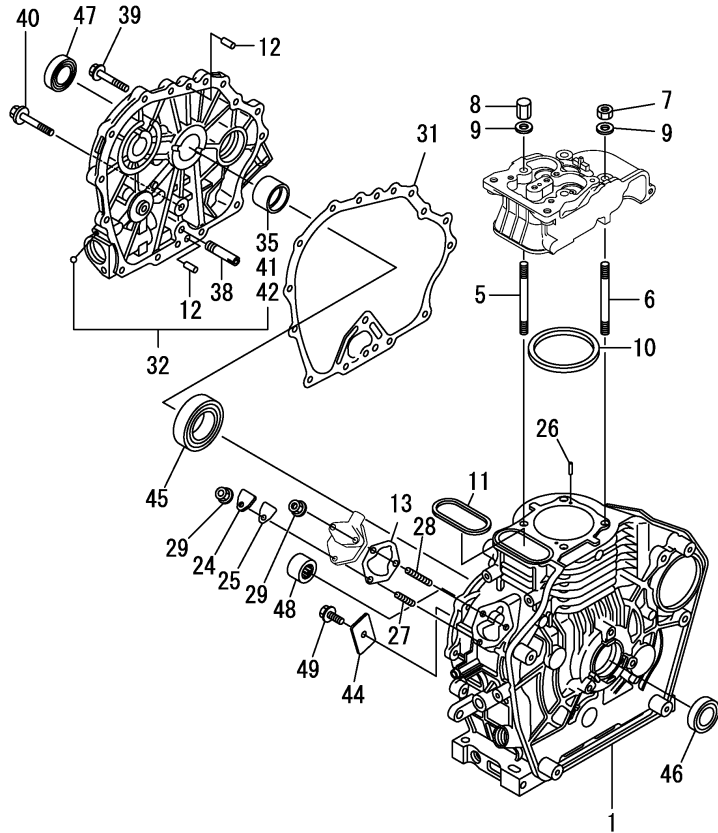
Fig. No. Fig. Name

Fig. No. Fig. Name

ENGINE

1. CYLINDER BLOCK
2. DRAIN PLUG
3. REMOTE DECOMP DEVICE
4. LABEL
5. CYLINDER HEAD & BONNET
6. SUCTION MANIFOLD
7. AIR CLEANER
8. EXHAUST MUFFLER
9. CAMSHAFT
10. CRANKSHAFT
11. FLYWHEEL
12. PISTON & CONNECTING ROD
13. BALANCER SHAFT
14. LUB. OIL PUMP & GOVERNOR
15. SWITCH CAP(OIL PRESSURE)
16. COVER
17. COOLING FAN CASE
18. FUEL INJECTION PUMP & FUEL INJECTION VALVE
19. CONTROL DEVICE
20. RECOIL STARTER
21. STARTER MOTOR
22. ELECTRIC PARTS
23. DYNAMO
24. TOOL, LABEL & GASKET SET

Fig.1. CYLINDER BLOCK



(A)=L48N6-PEYST2Y1

(B)=

(C)=

(D)=

(E)=

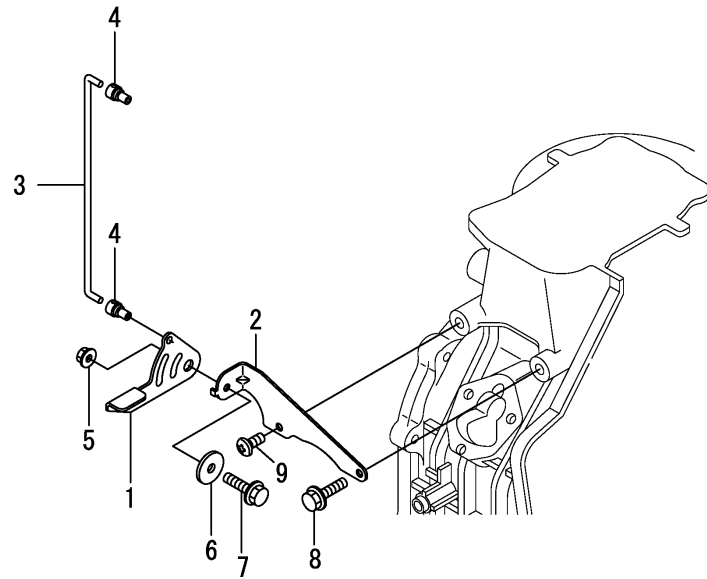
(F)=

No.	Lev.	Parts No.	Description	Q'ty						I	R
				(A)	(B)	(C)	(D)	(E)	(F)		
1	1	114110-01020	BLOCK ASSY, CYLINDER	1							
5	1	114299-01200	BOLT, HEAD	2							
6	1	114299-01210	BOLT, HEAD	2							
7	1	114299-01220	NUT, CYLINDER HEAD A	2							
8	1	114299-01230	NUT, CYLINDER HEAD B	2							
9	1	124950-01250	WASHER	4							
10	1	114295-01340	GASKET, HEAD 0.5	1							
11	1	114299-01380	O-RING	1							
12	1	114299-01600	PIN, 8X12	2							
13	1	114299-01800	SHIM SET	1							
24	1	114299-01830	COVER	1							
25	1	114250-01841	GASKET	1							
26	1	22312-040080	PIN, PARALLEL M4X 8	2							
27	1	26226-060182	STUD, M6X 18	1							
28	1	26226-060222	STUD, M6X 22	2							
29	1	26366-060002	NUT, M6	3							
31	1	114299-01410	GASKET, CRANK CASE	1							
32	1	114299-01450	COVER (D),CRANK CASE	1							
35	2	114250-02100	BEARING, MAIN	1							1
38	1	114299-35150	PIPE, OIL INLET	1							
39	1	26106-060252	BOLT, M6X 25 PLATED	14							
40	1	26106-080352	BOLT, M8X 35 PLATED	1							
41	1	114250-02200	BEARING, MAIN 0.25	1							2
42	1	114250-02210	BEARING, MAIN 0.50	1							3
44	1	114299-02030	RETAINER, BEARING	1							
45	1	114250-02113	BEARING, HR6306G3C3	1							
46	1	114299-02220	SEAL, OIL	1							
47	1	160210-02220	SEAL, 25X41.2X8	1							
48	1	24162-152112	BEARING, 152112	1							
49	1	26106-080122	BOLT, M8X 12 PLATED	1							

Remarks

- (1) Spare parts.
- (2) Under-sized(U.S.=0.25) parts.
- (3) Under-sized(U.S.=0.5) parts.

Fig.3. REMOTE DECOMP DEVICE



(A)=L48N6-PEYST2Y1
(B)=
(C)=

(D)=
(E)=
(F)=

No.	Lev.	Parts No.	Description	Q'ty						I	R
				(A)	(B)	(C)	(D)	(E)	(F)		
1	1	183250-03410	LEVER, DECOMPRESSION	1							
2	1	183250-03450	BRACKET, LEVER	1							
3	1	114120-03510	LINK, DECOMPRESSION	1							
4	1	183250-03550	JOINT	2							
5	1	114299-12300	NUT	1							
6	1	160670-66350	COLLAR	1							
7	1	26106-060142	BOLT, M6X 14 PLATED	1							
8	1	26106-060142	BOLT, M6X 14 PLATED	1							
9	1	26557-060142	SCREW M 6X 14	1							

Fig.5. CYLINDER HEAD & BONNET

(A)=L48N6-PEYST2Y1

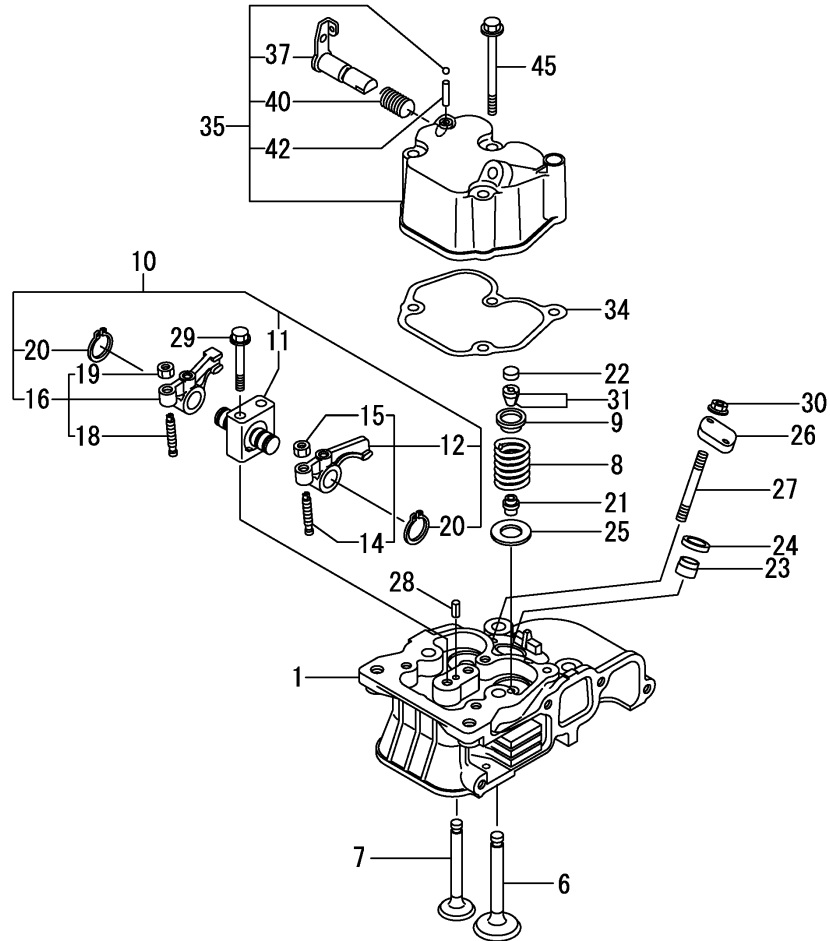
(B)=

(C)=

(D)=

(E)=

(F)=

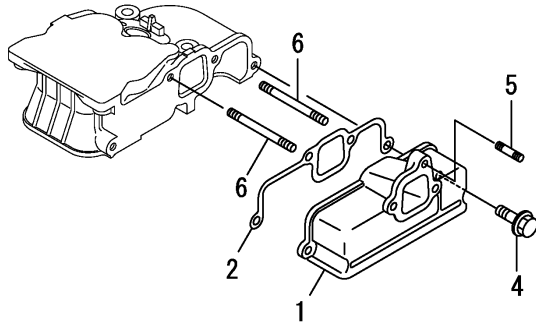


No.	Lev.	Parts No.	Description	Q'ty						I	R
				(A)	(B)	(C)	(D)	(E)	(F)		
1	1	11429C-11030	HEAD ASSY, CYLINDER	1							
6	1	11429C-11100	VALVE, SUCTION	1							
7	1	11429C-11110	VALVE, EXHAUST	1							
8	1	114120-11120	SPRING, VALVE	2							
9	1	114250-11180	RETAINER, SPRING	2							
10	1	11429C-11250	SUPPORT ASSY, ROCKER	1							
11	2	11429C-11260	SUPPORT, ROCKER ARM	1							
12	2	11429C-11650	ARM ASSY, ROCKER	1							
14	3	114250-11240	SCREW, VALVE ADJUST	1							
15	3	26856-060002	NUT, M6	1							
16	2	11429C-11660	ARM ASSY, ROCKER	1							
18	3	114250-11240	SCREW, VALVE ADJUST	1							
19	3	26856-060002	NUT, M6	1							
20	2	22242-000120	RING, 12	2							
21	1	114250-11341	SEAL, VALVE STEM	2							
22	1	119260-11370	CAP, VALVE	2							
23	1	114339-11451	PROTECTOR, NOZZLE	1							
24	1	114339-11551	SEAT, NOZZLE	1							
25	1	114299-11600	WASHER, VALVE SPRING	2							
26	1	114299-11901	RETAINER, NOZZLE	1							
27	1	114110-11910	STUD, M6X65	2							
28	1	22351-040008	PIN, SPRING 4.0X 8	1							
29	1	26106-060452	BOLT, M6X 45 PLATED	2							
30	1	26366-060002	NUT, M6	2							
31	1	27310-055001	COTTER, 5.5	2							
34	1	114771-11310	GASKET, BONNET	1							
35	1	114295-11981	BONNET ASSY, HEAD	1							
37	2	183250-03601	SHAFT, DECOMPRESSION	1							
40	2	114299-03640	SPRING, DECOMPRESSION	1							
42	2	22312-030160	PIN, PARALLEL M3X16	1							
45	1	26106-060552	BOLT, M6X 55 PLATED	3							

Fig.6. SUCTION MANIFOLD

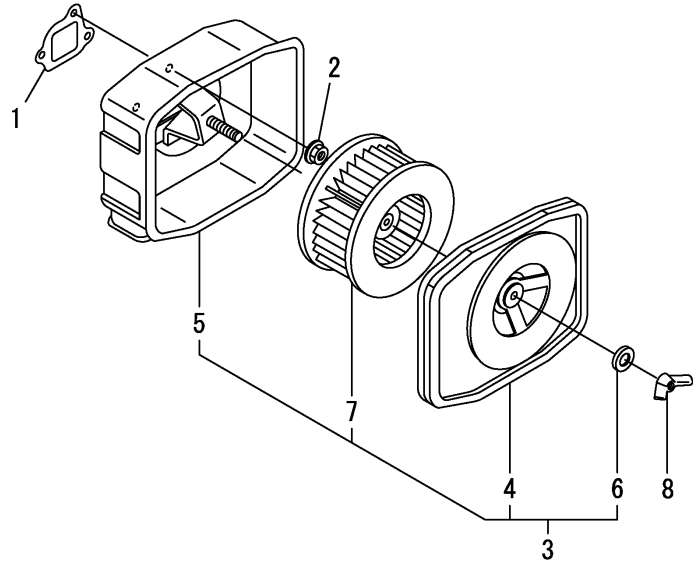
(A)=L48N6-PEYST2Y1
(B)=
(C)=

(D)=
(E)=
(F)=



No.	Lev.	Parts No.	Description	Q'ty						I	R
				(A)	(B)	(C)	(D)	(E)	(F)		
1	1	114771-12010	PIPE, AIR INTAKE	1							
2	1	114771-12200	GASKET	1							
4	1	26106-060252	BOLT, M6X 25 PLATED	2							
5	1	26226-060142	STUD, M6X 14	1							
6	1	26226-060602	STUD, M6X 60	2							

Fig.7. AIR CLEANER



(A)=L48N6-PEYST2Y1
(B)=
(C)=

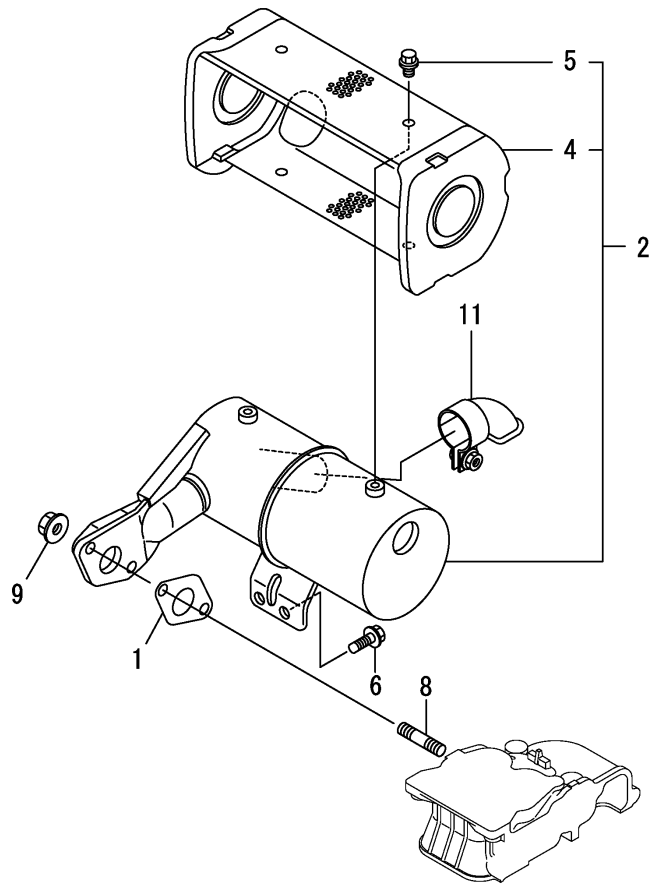
(D)=
(E)=
(F)=

No.	Lev.	Parts No.	Description	Q'ty						I	R
				(A)	(B)	(C)	(D)	(E)	(F)		
1	1	114299-12210	GASKET, AIR CLEANER	1							
2	1	114299-12300	NUT	3							
3	1	114120-12550	CLEANER ASSY, AIR	1							
4	2	114250-12520	COVER, AIR CREANER	1							
5	2	114250-12530	CASE ASSY, CLEANER	1							
6	2	114250-12560	WASHER, SEAL M6	1							
7	2	114250-12581	ELEMENT, AIR CLEANER	1							
8	1	114250-12550	NUT, WING M6	1							

Fig.8. EXHAUST MUFFLER

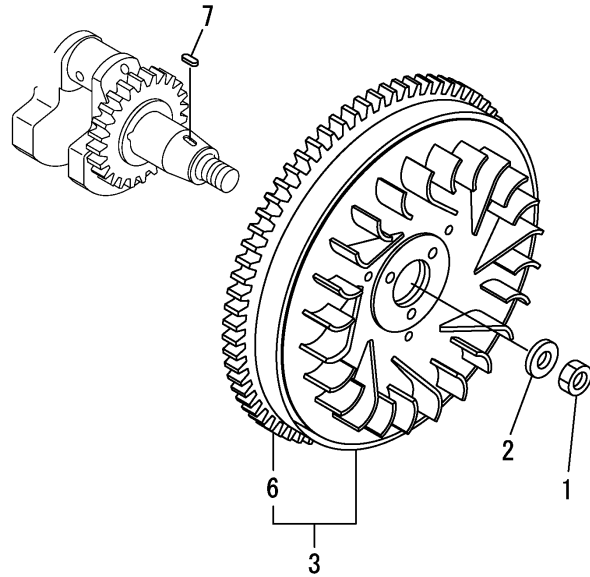
(A)=L48N6-PEYST2Y1
(B)=
(C)=

(D)=
(E)=
(F)=



No.	Lev.	Parts No.	Description	Q'ty						I	R
				(A)	(B)	(C)	(D)	(E)	(F)		
1	1	114299-13200	GASKET, MUFFLER	1							
2	1	11429C-13500	MUFFLER ASSY	1							
4	2	11429C-13700	COVER	1							
5	2	11431C-13720	BOLT, M6	4							
6	1	26106-060142	BOLT, M6X 14 PLATED	2							
8	1	26216-080182	STUD, M8X 18	2							
9	1	26306-080002	NUT, M8	2							
11	1	114299-13800	EXTENSION ASSY	1							

Fig.11. FLYWHEEL

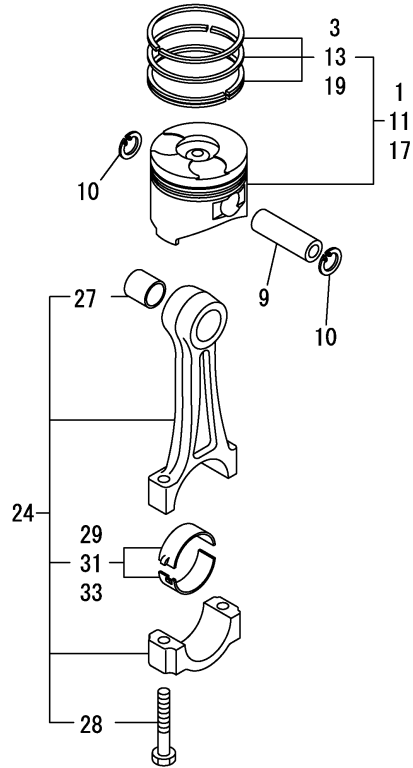


(A)=L48N6-PEYST2Y1
(B)=
(C)=

(D)=
(E)=
(F)=

No.	Lev.	Parts No.	Description	Q'ty						I	R
				(A)	(B)	(C)	(D)	(E)	(F)		
1	1	114299-21220	NUT	1							
2	1	114299-21550	WASHER	1							
3	1	114299-21590	FLYWHEEL ASSY	1							
6	2	114299-21600	GEAR, RING	1							
7	1	22512-040120	KEY, 4X 12	1							

Fig.12. PISTON & CONNECTING ROD



(A)=L48N6-PEYST2Y1
(B)=
(C)=

(D)=
(E)=
(F)=

No.	Lev.	Parts No.	Description	Q'ty						I	R
				(A)	(B)	(C)	(D)	(E)	(F)		
1	1	714120-22720	PISTON W/RINGS (D)	1							
3	2	714295-22500	RING SET, PISTON	1							
9	1	114299-22300	PIN, PISTON D=19	1							
10	1	22252-000190	RING, 19	2							
11	1	714120-22630	PISTON ASSY, 0.25 OS	1							1
13	2	714295-22560	RING SET, 0.25 OS	1							1
17	1	714120-22590	PISTON ASSY, 0.50 OS	1							2
19	2	714295-22570	RING SET, 0.50 OS	1							2
24	1	71429C-23010	ROD ASSY, CONNECTING	1							
27	3	114770-23100	BEARING, PISTON PIN	1							
28	3	114110-23200	BOLT, CONNECTING ROD	2							
29	2	714770-23600	BEARING, CRANK PIN	1							
31	1	714770-23610	BEARING ASSY, 0.25	1							3
33	1	714770-23620	BEARING, 0.50 US	1							4

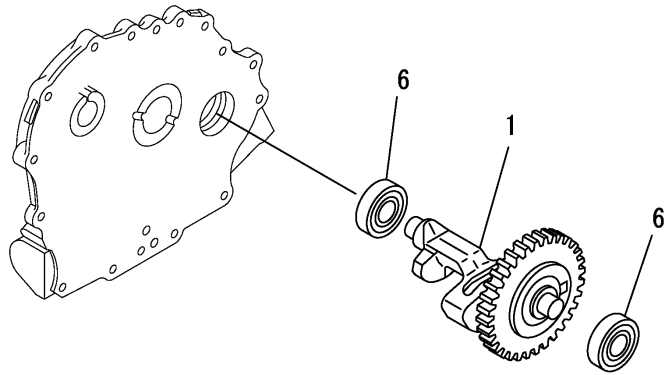
Remarks

- (1)Over-sized(O.S.=0.25) parts.
- (2)Over-sized(O.S.=0.5) parts.
- (3)Under-sized(U.S.=0.25) parts.
- (4)Under-sized(U.S.=0.5) parts.

Fig.13. BALANCER SHAFT

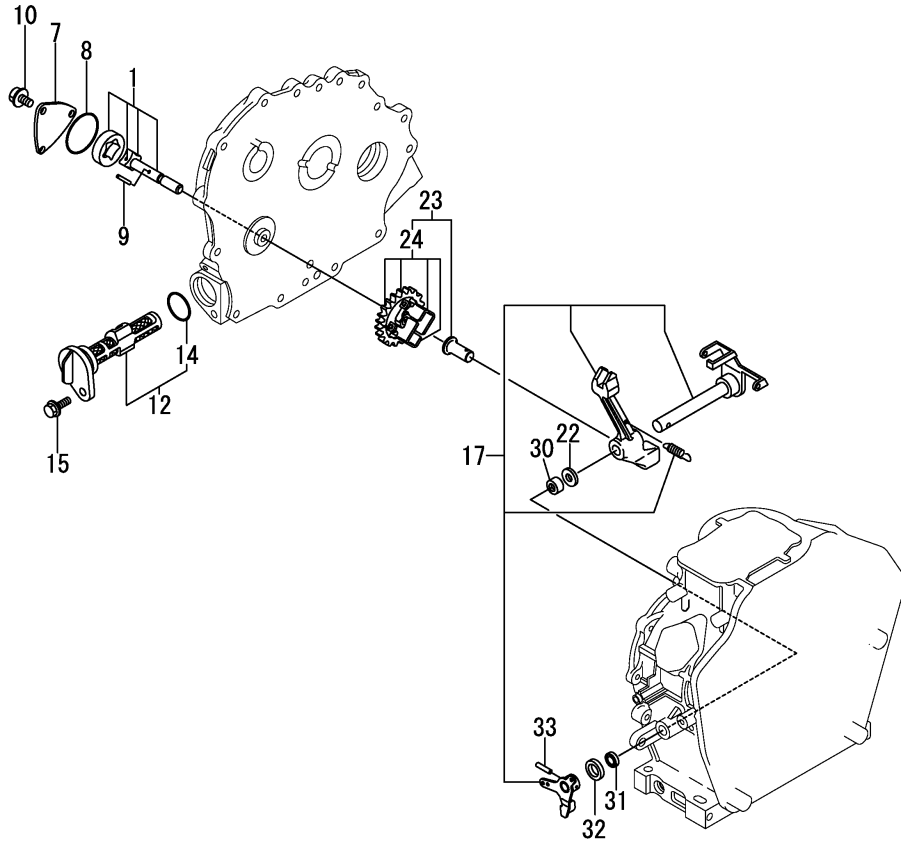
(A)=L48N6-PEYST2Y1
(B)=
(C)=

(D)=
(E)=
(F)=



No.	Lev.	Parts No.	Description	Q'ty						I	R
				(A)	(B)	(C)	(D)	(E)	(F)		
1	1	714770-28531	SHAFT ASSY, BALANCER	1							
6	1	24101-062020	BEARING, BALL 6202C3	2							

Fig.14. LUB. OIL PUMP & GOVERNOR



(A)=L48N6-PEYST2Y1
(B)=
(C)=

(D)=
(E)=
(F)=

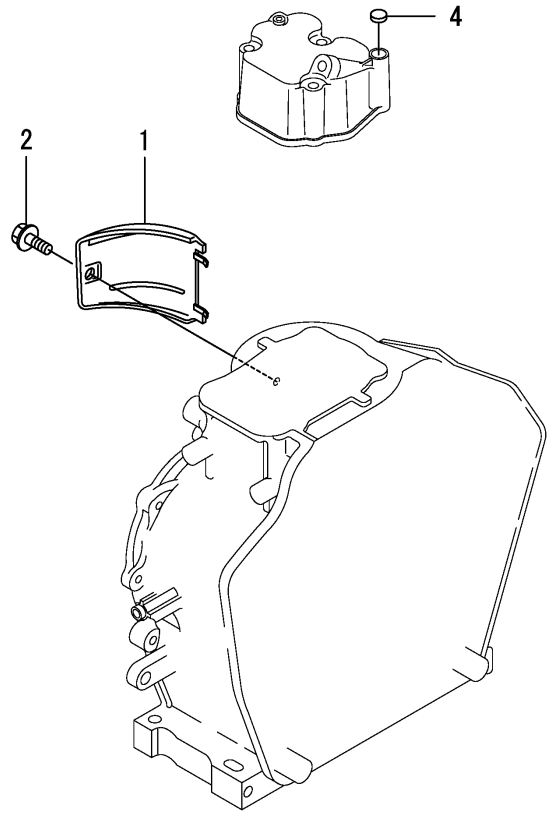
No.	Lev.	Parts No.	Description	Q'ty						I	R
				(A)	(B)	(C)	(D)	(E)	(F)		
1	1	114250-32010	PUMP ASSY, OIL	1							
7	1	114299-32070	COVER	1							
8	1	114299-32570	O-RING	1							
9	1	22312-030160	PIN, PARALLEL M3X16	1							
10	1	26106-060122	BOLT, M6X 12 PLATED	3							
12	1	114299-35110	FILTER ASSY, OIL	1							
14	2	24341-000224	O-RING, 1AS22.4	1							
15	1	26106-060162	BOLT, M6X 16 PLATED	1							
17	1	114295-61170	LEVER ASSY, GOVERNOR	1							1
22	1	114299-61190	WASHER	1							
23	1	114299-61700	GOVERNOR ASSY	1							
24	2	114299-61210	WEIGHT ASSY,GOVERNOR	1							
30	1	114770-61520	BEARING, NEEDLE	2							
31	1	114299-61600	SEAL, OIL	1							
32	1	114770-61610	WASHER, THRUST	1							
33	1	22322-030200	PIN, TAPER 3X20	1							

Remarks

(1)On a guarantee of quality component parts shall not be sold.

N:Old $\xrightarrow{\text{Yes}}$ New, Q:Old $\xrightarrow{\text{No}}$ New, R:Old $\xrightarrow{\text{Yes}}$ New, S:Old $\xrightarrow{\text{No}}$ New, W:Add, Z:Discontinued, F:Interchangeable by set, K:Q'ty Change

Fig.16. COVER

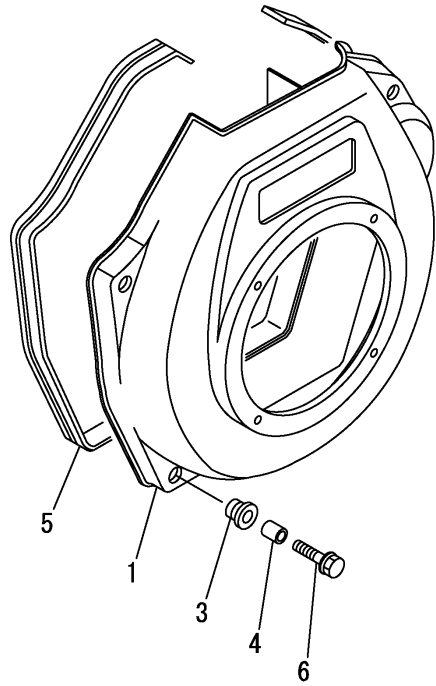


(A)=L48N6-PEYST2Y1
(B)=
(C)=

(D)=
(E)=
(F)=

No.	Lev.	Parts No.	Description	Q'ty						I	R
				(A)	(B)	(C)	(D)	(E)	(F)		
1	1	114299-45210	COVER, CYLINDER	1							
2	1	26106-060122	BOLT, M6X 12 PLATED	1							
4	1	129100-61850	PLUG, BORE 12	1							

Fig.17. COOLING FAN CASE

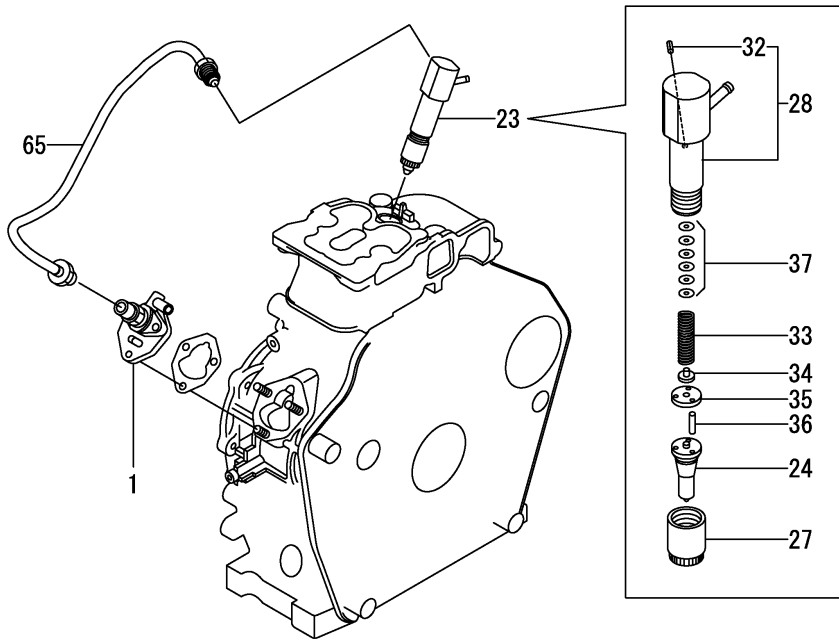


(A)=L48N6-PEYST2Y1
(B)=
(C)=

(D)=
(E)=
(F)=

No.	Lev.	Parts No.	Description	Q'ty						I	R
				(A)	(B)	(C)	(D)	(E)	(F)		
1	1	114295-45150	CASE, COOLING FAN	1							
3	1	114299-45301	RUBBER, CUSHION	4							
4	1	114299-45310	COLLAR	4							
5	1	114120-45330	SEAL, FAN CASE	1							
6	1	114299-45350	BOLT, FAN CASE	4							

Fig.18. FUEL INJECTION PUMP & FUEL INJECTION VALVE



(A)=L48N6-PEYST2Y1
(B)=
(C)=

(D)=
(E)=
(F)=

No.	Lev.	Parts No.	Description	Q'ty						I	R
				(A)	(B)	(C)	(D)	(E)	(F)		
1	1	714139-51400	PUMP ASSY, INJECTION	1							1
23	1	714139-53100	FUEL INJECTOR ASSY	1							
24	2	114139-53050	NOZZLE ASSY, F.I.	1							
27	2	114250-53080	NUT, NOZZLE	1							
28	2	114139-53100	HOLDER ASSY, NOZZLE	1							
32	3	22351-025005	PIN, SPRING 2.5X 6	1							
33	2	114250-53120	SPRING, NOZZLE	1							
34	2	114250-53130	SEAT, SPRING	1							
35	2	114250-53140	SPACER	1							
36	2	114250-53210	PIN	2							
37	2	119803-53400	SHIM SET	1							
65	1	114110-59820	PIPE ASSY, INJECTION	1							

Remarks

(1)On a guarantee of quality component parts shall not be sold.

N:Old $\xrightarrow{\text{Yes}}$ New, Q:Old $\xrightarrow{\text{No}}$ New, R:Old $\xrightarrow{\text{Yes}}$ New, S:Old $\xrightarrow{\text{No}}$ New, W:Add, Z:Discontinued, F:Interchangeable by set, K:Q'ty Change

Fig.19. CONTROL DEVICE

(A)=L48N6-PEYST2Y1
(B)=
(C)=

(D)=
(E)=
(F)=

No.	Lev.	Parts No.	Description	Q'ty						I	R
				(A)	(B)	(C)	(D)	(E)	(F)		
1	1	114220-07140	LABEL, CONTROL	1							
2	1	114210-66550	BRACKET ASSY	1							
3	2	114210-66070	HANDLE, REGULATOR	1							
4	2	183250-66070	SHAFT, HANDLE	1							
5	2	114210-66400	BRACKET, HANDLE	1							
6	2	114250-66440	BOLT, ADJUST	1							
7	2	104200-66820	SPRING	1							
8	2	104200-66831	PLATE, FRICTION	2							
9	2	104200-66850	WASHER	1							
10	2	26696-100002	NUT, LOCK M10	1							
11	2	26757-060002	NUT, LOCK M6	1							
12	1	26106-060142	BOLT, M6X 14 PLATED	1							
13	1	26106-060452	BOLT, M6X 45 PLATED	1							
15	1	114770-66010	SPRING, REGULATOR	1							
16	1	114299-66201	SPRING, RETURN	1							
17	1	114211-66600	LIMITER ASSY, FUEL	1							
22	1	26776-100002	NUT, LOCK M10	1							
24	1	114780-61090	TIN	2							
25	1	22451-060000	WIRE, 0.6	2							

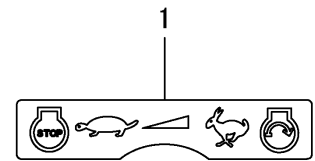
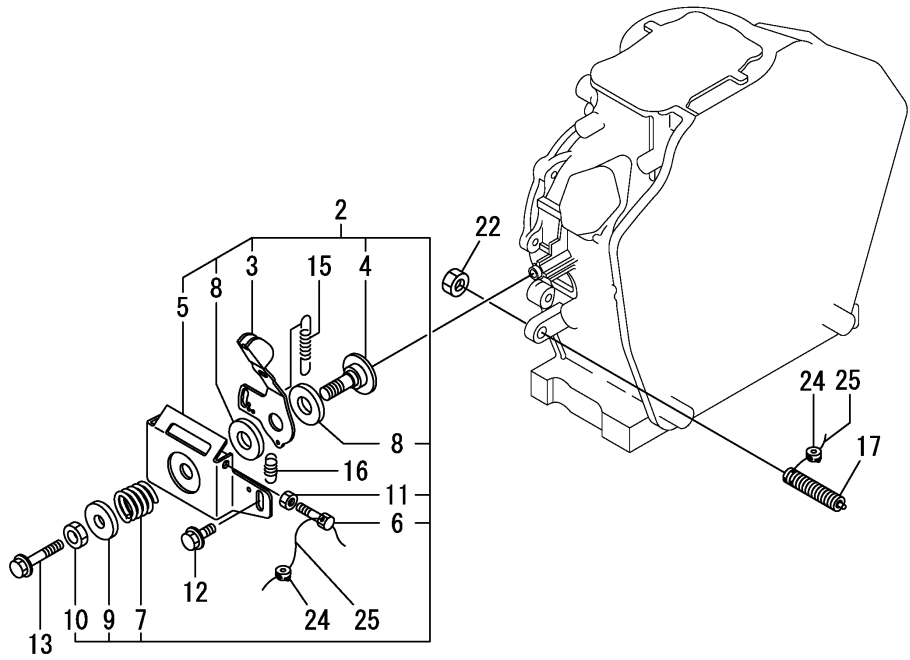
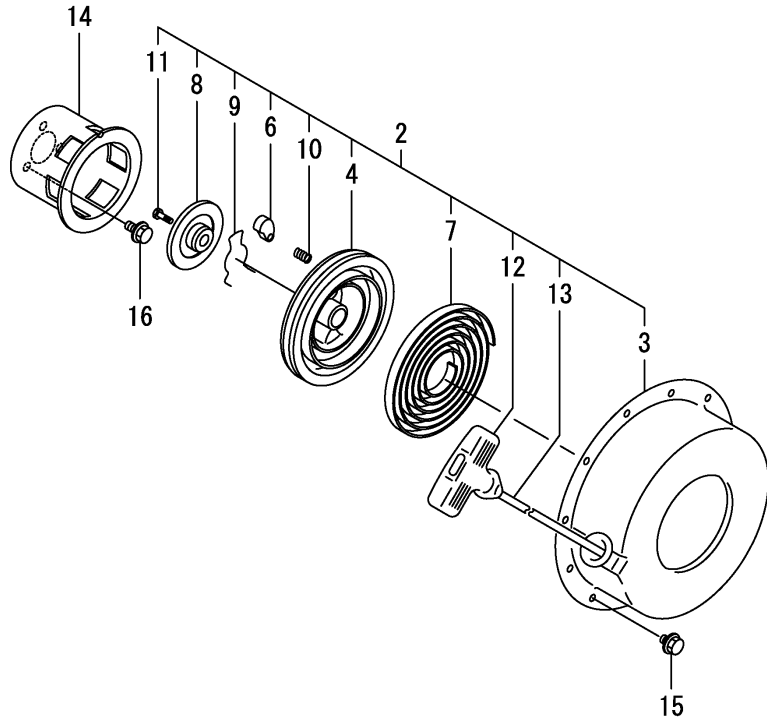


Fig.20. RECOIL STARTER



(A)=L48N6-PEYST2Y1
(B)=
(C)=

(D)=
(E)=
(F)=

No.	Lev.	Parts No.	Description	Q'ty						I	R
				(A)	(B)	(C)	(D)	(E)	(F)		
2	2	114299-76250	STARTER ASSY, RECOIL	1							
3	3	114299-76500	CASE, STARTER	1							
4	3	114299-76521	REEL	1							
6	3	114399-76531	RATCHET	1							
7	3	114399-76540	SPRING, SPIRAL	1							
8	3	114399-76550	COVER	1							
9	3	114399-76560	SPRING	1							
10	3	114399-76570	SPRING, RETURN	1							
11	3	114399-76580	SCREW	1							
12	3	114399-76620	KNOB, STARTER	1							
13	3	114299-76630	ROPE, STARTER	1							
14	2	114299-76590	PULLEY, STARTER	1							
15	1	26106-060082	BOLT, M6X 8 PLATED	4							
16	1	26106-060122	BOLT, M6X 12 PLATED	3							

Fig.21. STARTER MOTOR

(A)=L48N6-PEYST2Y1

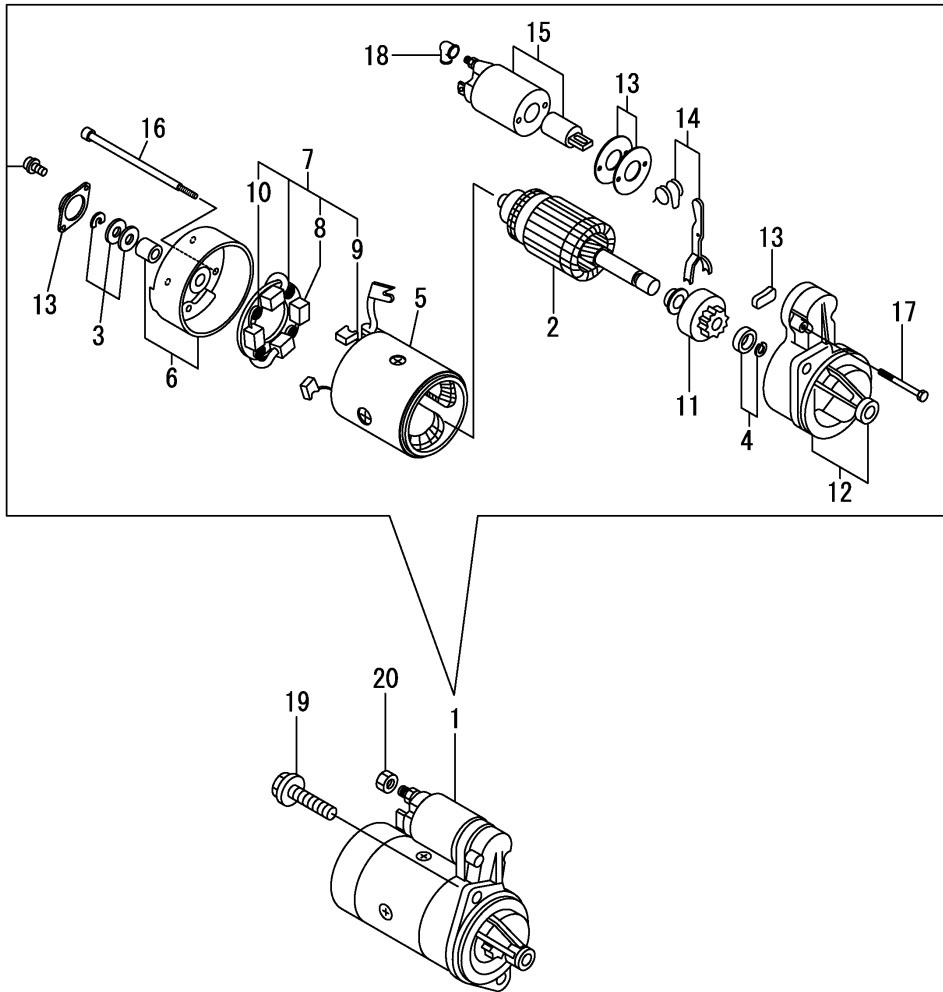
(B)=

(C)=

(D)=

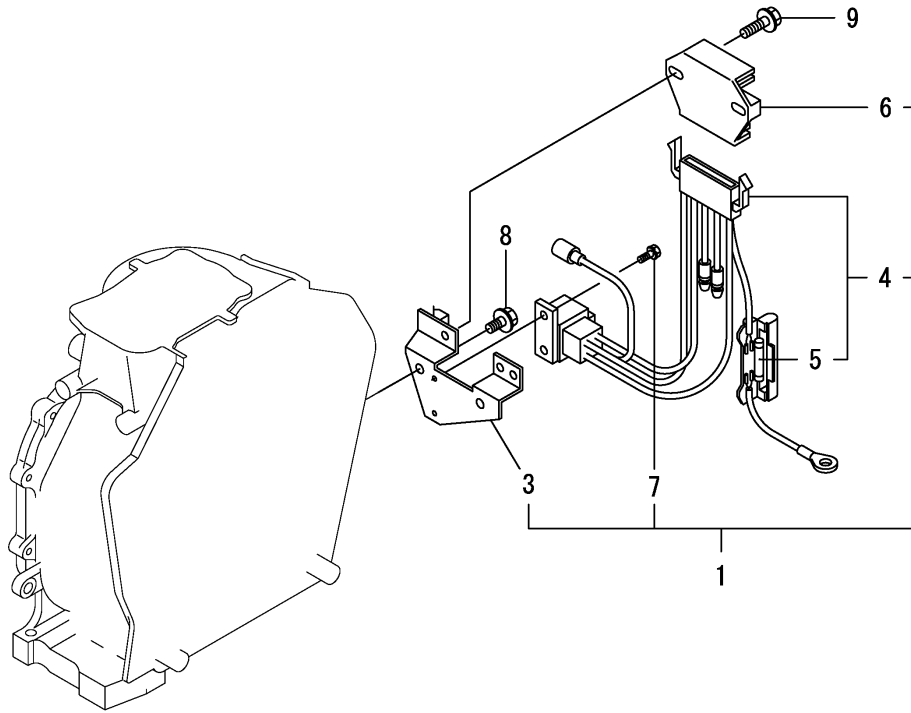
(E)=

(F)=



No.	Lev.	Parts No.	Description	Q'ty						I	R
				(A)	(B)	(C)	(D)	(E)	(F)		
1	1	114362-77011	STARTER ASSY	1							
2	2	114381-77110	ARMATURE	1							
3	2	X2114811000	WASHER KIT, THRUST	1							
4	2	X2114715500	STOPPER SET, PINION	1							
5	2	114381-77130	COIL ASSY, FIELD	1							
6	2	114381-77140	COVER	1							
7	2	114371-77160	HOLDER ASSY, BRUSH	1							
8	3	114371-79040	BRUSH	2							
9	3	114371-79050	BRUSH	1							
10	3	114371-79060	SPRING, BRUSH	4							
11	2	X211485016	PINION ASSY	1							
12	2	114381-77151	CASE ASSY	1							
13	2	114371-77170	COVER KIT, DUST	1							
14	2	114371-77180	LEVER KIT, SHIFT	1							
15	2	124298-77020	SWITCH, MAGNET	1							
16	2	124195-77770	BOLT, THROUGH	2							
17	2	114371-79070	BOLT	2							
18	2	X2114274200	COVER, TERMINAL	1							
19	1	26106-100302	BOLT, M10X 30 PLATED	2							
20	1	26716-080002	NUT, M8	1							

Fig.22. ELECTRIC PARTS



(A)=L48N6-PEYST2Y1
(B)=
(C)=

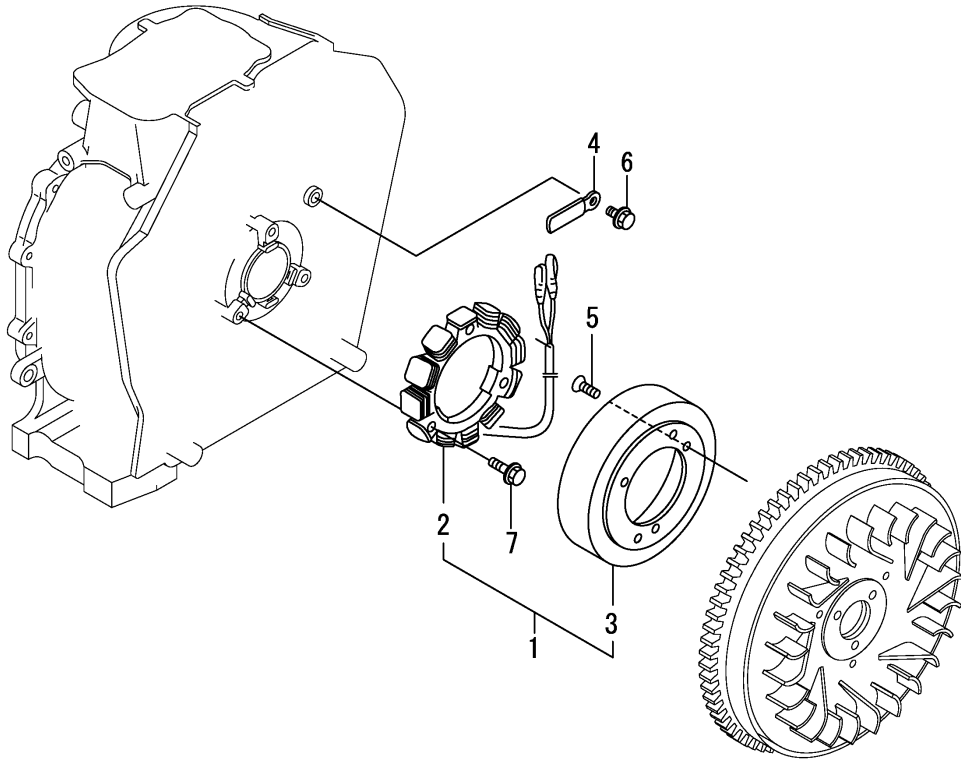
(D)=
(E)=
(F)=

No.	Lev.	Parts No.	Description	Q'ty						I	R
				(A)	(B)	(C)	(D)	(E)	(F)		
1	1	114399-77550	REG. & HARNESS ASSY	1							
3	3	114399-77400	BRACKET, HARNESS	1							
4	3	114399-77540	HARNESS, WIRE	1							
5	4	114399-78000	FUSE(20A	1							
6	2	114399-77710	REGULATOR	1							
7	2	26023-040102	SCREW, M4X10	2							
8	1	26106-060122	BOLT, M6X 12 PLATED	2							
9	1	26106-060202	BOLT, M6X 20 PLATED	2							

Fig.23. DYNAMO

(A)=L48N6-PEYST2Y1
(B)=
(C)=

(D)=
(E)=
(F)=



No.	Lev.	Parts No.	Description	Q'ty						I	R
				(A)	(B)	(C)	(D)	(E)	(F)		
1	1	114399-78260	DYNAMO ASSY	1							
2	2	114399-78730	STATOR ASSY	1							
3	2	114399-78740	WHEEL, DYNAMO	1							
4	1	160710-78710	CLAMP, CORD	1							
5	1	114210-78800	SCREW,COUNTERSUNK M6	3							
6	1	26106-060122	BOLT, M6X 12 PLATED	1							
7	1	26106-060202	BOLT, M6X 20 PLATED	3							

Fig.24. TOOL, LABEL & GASKET SET

(A)=L48N6-PEYST2Y1

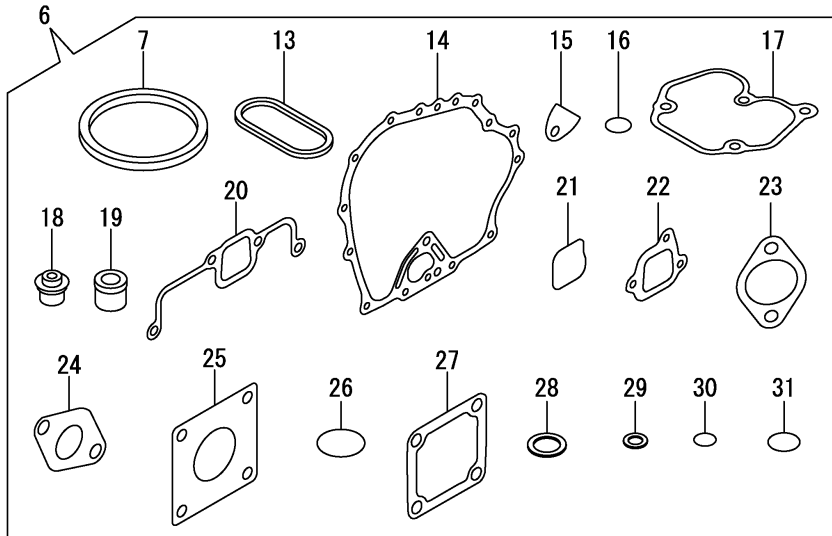
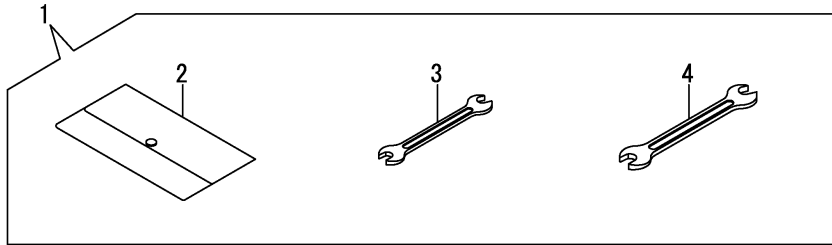
(B)=

(C)=

(D)=

(E)=

(F)=



No.	Lev.	Parts No.	Description	Q'ty						I	R
				(A)	(B)	(C)	(D)	(E)	(F)		
1	1	114299-92590	BOX, TOOL	1							
2	2	114299-92600	BAG, TOOL	1							
3	2	114299-92710	WRENCH	1							
4	2	114299-92720	WRENCH	1							
6	1	114120-92600	GASKET SET	1							1
7	2	114295-01330	GASKET ASSY, HEAD	1							
13	2	114299-01380	O-RING	1							
14	2	114299-01410	GASKET, CRANK CASE	1							
15	2	114250-01841	GASKET	1							
16	2	114299-01950	O-RING, 18	2							
17	2	114771-11310	GASKET, BONNET	1							
18	2	114250-11341	SEAL, VALVE STEM	2							
19	2	114771-11461	GASKET, NOZZLE	1							
20	2	114771-12200	GASKET	1							
21	2	114288-12210	O-RING	1							
22	2	114299-12210	GASKET, AIR CLEANER	2							
23	2	114299-12920	GASKET, AIR CLEANER	1							
24	2	114299-13200	GASKET, MUFFLER	1							
25	2	114299-21980	GASKET	1							
26	2	114299-32570	O-RING	1							
27	2	129100-77510	GASKET, AIR HEATER	3							
28	2	22190-160002	WASHER, SEAL 16	2							
29	2	23414-080000	GASKET, 8X1.0	1							
30	2	24341-000150	O-RING, 1AS15.0	1							
31	2	24341-000224	O-RING, 1AS22.4	1							

Remarks

(1)Optional parts.

Parts No. Index

Parts No.	Fig. No.	Ref. No.
104200-66820	19	7
104200-66831	19	8
104200-66850	19	9
114110-01020	1	1
114110-11910	5	27
114110-23200	12	28
114110-59820	18	65
114120-03510	3	3
114120-11120	5	8
114120-12550	7	3
114120-45330	17	5
114120-92600	24	6
114139-53050	18	24
114139-53100	18	28
114210-66070	19	3
114210-66400	19	5
114210-66550	19	2
114210-78800	23	5
114211-66600	19	17
114220-07130	4	10
114220-07140	4	8
	19	1
114250-01841	1	25
	24	15
114250-02100	1	35
114250-02113	1	45
114250-02200	1	41
114250-02210	1	42
114250-11180	5	9
114250-11240	5	14
		18
114250-11341	5	21
	24	18
114250-12520	7	4
114250-12530	7	5
114250-12550	7	8
114250-12560	7	6
114250-12581	7	7
114250-14451	9	8
114250-32010	14	1
114250-53080	18	27
114250-53120	18	33
114250-53130	18	34
114250-53140	18	35
114250-53210	18	36
114250-66440	19	6
114288-12210	24	21
114295-01330	24	7
114295-01340	1	10
114295-11981	5	35

Parts No.	Fig. No.	Ref. No.
114295-45150	17	1
114295-61170	14	17
114299-01200	1	5
114299-01210	1	6
114299-01220	1	7
114299-01230	1	8
114299-01380	1	11
	24	13
114299-01410	1	31
	24	14
114299-01450	1	32
114299-01600	1	12
114299-01690	2	1
114299-01760	2	2
114299-01800	1	13
114299-01830	1	24
114299-01950	2	4
	24	16
114299-02030	1	44
114299-02220	1	46
114299-03640	5	40
114299-07111	4	2
114299-07160	4	3
114299-11600	5	25
114299-11901	5	26
114299-12210	7	1
	24	22
114299-12300	3	5
	7	2
114299-12920	24	23
114299-13200	8	1
	24	24
114299-13800	8	11
114299-14200	9	6
114299-21220	11	1
114299-21550	11	2
114299-21590	11	3
114299-21600	11	6
114299-21980	24	25
114299-22300	12	9
114299-32070	14	7
114299-32570	14	8
	24	26
114299-35110	14	12
114299-35150	1	38
114299-45210	16	1
114299-45301	17	3
114299-45310	17	4
114299-45350	17	6
114299-61190	14	22

Parts No.	Fig. No.	Ref. No.
114299-61210	14	24
114299-61600	14	31
114299-61700	14	23
114299-66201	19	16
114299-76250	20	2
114299-76500	20	3
114299-76521	20	4
114299-76590	20	14
114299-76630	20	13
114299-92590	24	1
114299-92600	24	2
114299-92710	24	3
114299-92720	24	4
11429C-11030	5	1
11429C-11100	5	6
11429C-11110	5	7
11429C-11250	5	10
11429C-11260	5	11
11429C-11650	5	12
11429C-11660	5	16
11429C-13500	8	2
11429C-13700	8	4
11429C-14580	9	1
11429C-21760	10	1
11431C-13720	8	5
114339-11451	5	23
114339-11551	5	24
114362-77011	21	1
114371-77160	21	7
114371-77170	21	13
114371-77180	21	14
114371-79040	21	8
114371-79050	21	9
114371-79060	21	10
114371-79070	21	17
114381-77110	21	2
114381-77130	21	5
114381-77140	21	6
114381-77151	21	12
114399-76531	20	6
114399-76540	20	7
114399-76550	20	8
114399-76560	20	9
114399-76570	20	10
114399-76580	20	11
114399-76620	20	12
114399-77400	22	3
114399-77540	22	4
114399-77550	22	1
114399-77710	22	6

Parts No.	Fig. No.	Ref. No.
114399-78000	22	5
114399-78260	23	1
114399-78730	23	2
114399-78740	23	3
114770-23100	12	27
114770-61520	14	30
114770-61610	14	32
114770-66010	19	15
114771-11310	5	34
	24	17
114771-11461	24	19
114771-12010	6	1
114771-12200	6	2
	24	20
114771-14260	9	7
114780-61090	19	24
119260-11370	5	22
119803-53400	18	37
124195-77770	21	16
124298-77020	21	15
124950-01250	1	9
129100-61850	16	4
129100-77510	24	27
160210-02220	1	47
160670-66350	3	6
160710-78710	23	4
183250-03410	3	1
183250-03450	3	2
183250-03550	3	4
183250-03601	5	37
183250-66070	19	4
22190-160002	2	5
	24	28
22242-000120	5	20
22252-000190	12	10
22312-030160	5	42
	14	9
22312-040080	1	26
22322-030200	14	33
22351-025005	18	32
22351-040008	5	28
22451-060000	19	25
22512-040120	11	7
23414-080000	24	29
23876-010000	15	1
24101-062020	13	6
24162-152112	1	48
24341-000150	24	30
24341-000224	14	14
	24	31

Parts No. Index

Parts No.	Fig. No.	Ref. No.
26023-040102	22	7
26106-060082	20	15
26106-060122	14	10
	16	2
	20	16
	22	8
	23	6
26106-060142	3	7
		8
	8	6
	19	12
26106-060162	14	15
26106-060202	22	9
	23	7
26106-060252	1	39
	6	4
26106-060452	5	29
	19	13
26106-060552	5	45
26106-080122	1	49
26106-080352	1	40
26106-100302	21	19
26216-080182	8	8
26226-060142	6	5
26226-060182	1	27
26226-060222	1	28
26226-060602	6	6
26306-080002	8	9
26366-060002	1	29
	5	30
26557-060142	3	9
26696-100002	19	10
26716-080002	21	20
26757-060002	19	11
26776-100002	19	22
26856-060002	5	15
		19
27310-055001	5	31
714120-22590	12	17
714120-22630	12	11
714120-22720	12	1
714139-51400	18	1
714139-53100	18	23
714295-22500	12	3
714295-22560	12	13
714295-22570	12	19
71429C-23010	12	24
714770-23600	12	29
714770-23610	12	31
714770-23620	12	33

Parts No.	Fig. No.	Ref. No.
714770-28531	13	1
X2114274200	21	18
X2114715500	21	4
X2114811000	21	3
X211485016	21	11

Parts No.	Fig. No.	Ref. No.
-----------	----------	----------

Parts No.	Fig. No.	Ref. No.
-----------	----------	----------