

0CB50-M00170EN

Contents

OCB50-M00170

Fig. No. Fig. Name

Fig. No. Fig. Name

ENGINE

1. CYLINDER BLOCK
2. GEAR HOUSING
3. FLYWHEEL HOUSING & OIL SUMP
4. CYLINDER HEAD & BONNET
5. SUCTION MANIFOLD
6. EXHAUST MANIFOLD & SILENCER
7. CRANKSHAFT, PISTON & CAMSHAFT
8. COOLING WATER SYSTEM
9. GOVERNOR
10. STARTER MOTOR
11. SPARK SYSTEM

Fig.1. CYLINDER BLOCK

(A)=4GP98-GB1NA

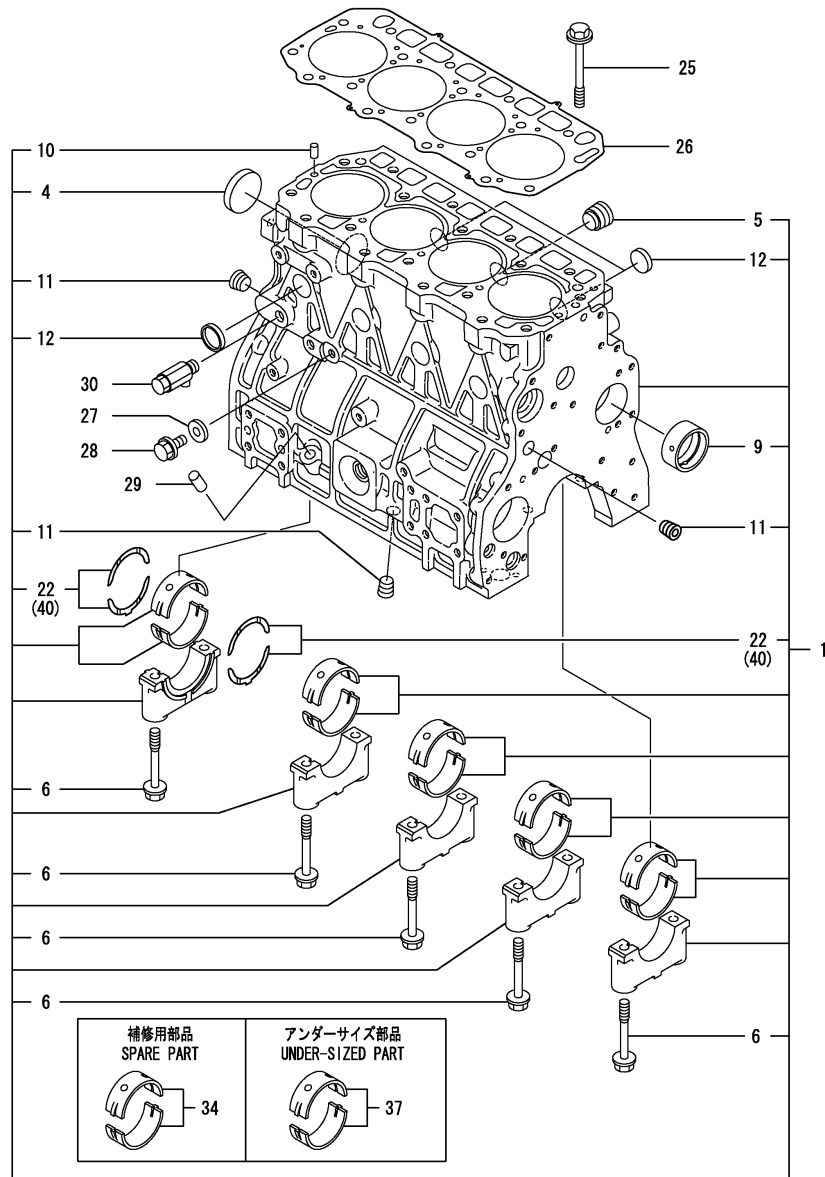
(B)=

(C)=

(D)=

(E)=

(F)=



No.	Lev.	Parts No.	Description	Q'ty						I	R
				(A)	(B)	(C)	(D)	(E)	(F)		
1	1	724798-01560	BLOCK ASSY, CYLINDER	1							
4	2	129900-01250	PLUG, DISH TYPE 55	1							
5	2	171051-01921	PLUG, NPTF1	1							
6	2	129900-02020	BOLT, METAL CAP	10							
9	2	129900-02410	BUSH, CAMSHAFT	1							
10	2	22351-060012	PIN, SPRING 6.0X12	2							
11	2	23876-030000	PLUG, R03	3							
12	2	27241-300000	PLUG 30	8							
22	2	129900-02931	BEARING ASSY, THRUST	2							
25	1	129900-01200	BOLT, CYLINDER HEAD	18							
26	1	129902-01331	GASKET, HEAD	1							
27	1	23414-080000	GASKET, 8X1.0	2							
28	1	26106-080122	BOLT, M8X 12 PLATED	2							
29	1	119309-01810	PLUG	1							
30	1	119620-49290	COCK ASSY, 1/4	1							
34	1	729900-02801	BEARING, MAIN	5							1
37	1	129900-02341	BEARING ASSY, MAIN	5							2
40	1	129900-02941	BEARING, THRUST 0.25	2							3

Remarks

- (1) Spare parts.
- (2) Under-sized (U.S.=0.25) parts.
- (3) Over-sized (O.S.=0.25) parts.

Fig.2. GEAR HOUSING

(A)=4GP98-GB1NA

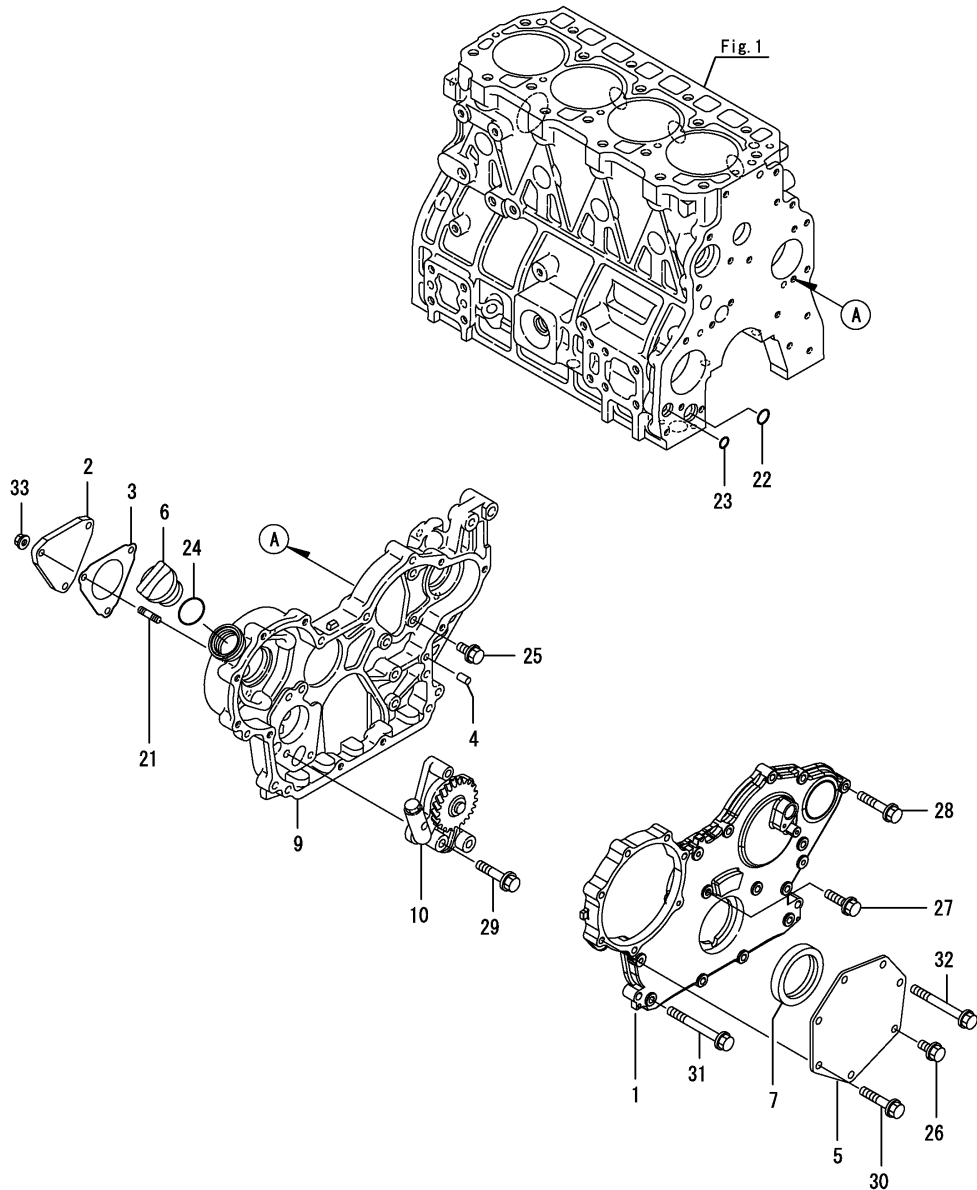
(B)=

(C)=

(D)=

(E)=

(F)=



No.	Lev.	Parts No.	Description	Q'ty						I	R
				(A)	(B)	(C)	(D)	(E)	(F)		
1	1	124794-01530	COVER, GEAR CASE	1							
2	1	124798-01550	COVER	1							
3	1	124798-01560	GASKET	1							
4	1	129100-01580	PIN, PARALLEL 8X16	4							
5	1	129951-01740	COVER	1							
6	1	124160-01751	CAP, FILLER	1							
7	1	129916-01800	SEAL, OIL	1							
9	1	129901-01520	CASE, GEAR	1							
10	1	129900-32001	PUMP ASSY, OIL	1							
21	1	26226-080302	STUD, M8X 30	3							
22	1	129900-32030	O-RING, P20	1							
23	1	129900-32040	O-RING, P14	1							
24	1	24311-000320	O-RING, 1AP32.0	1							
25	1	26106-080202	BOLT, M8X 20 PLATED	3							
26	1	26106-080202	BOLT, M8X 20 PLATED	1							
27	1	26106-080302	BOLT, M8X 30 PLATED	3							
28	1	26106-080402	BOLT, M8X 40 PLATED	5							
29	1	26106-080452	BOLT, M8X 45 PLATED	3							
30	1	26106-080452	BOLT, M8X 45 PLATED	5							
31	1	26106-080702	BOLT, M8X 70 PLATED	6							
32	1	26106-080752	BOLT, M8X 75 PLATED	1							
33	1	26306-080002	NUT, M8	3							

Fig.3. FLYWHEEL HOUSING & OIL SUMP

(A)=4GP98-GB1NA

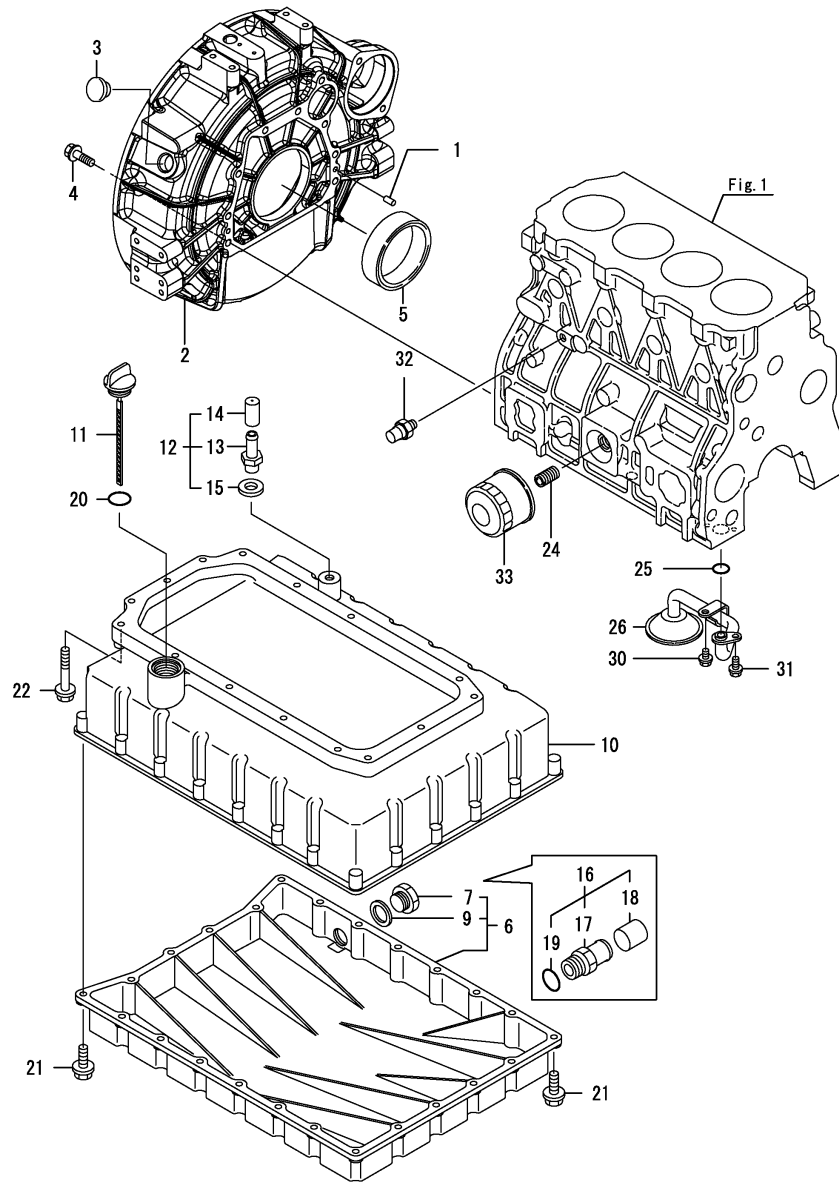
(B)=

(C)=

(D)=

(E)=

(F)=



No.	Lev.	Parts No.	Description	Q'ty						I	R
				(A)	(B)	(C)	(D)	(E)	(F)		
1	1	129100-01580	PIN, PARALLEL 8X16	2							
2	1	124794-01600	HOUSING, FLYWHEEL	1							
3	1	119000-01840	PLUG, RUBBER	1							
4	1	26206-100352	BOLT, M10X 35 PLATED	9							
5	1	124798-02220	SEAL, OIL	1							
6	1	124793-01700	OIL PAN ASSY, LOWER	1							
7	2	105300-01690	PLUG	1							
9	2	22190-270006	WASHER, SEAL 27	1							
10	1	124798-01702	OIL SUMP, UPPER	1							
11	1	124699-01730	COVER, FILLER	1							
12	1	124350-35500	JOINT ASSY, PIPE	1							
13	2	162006-00500	JOINT	1							
14	2	124350-35710	CAP, JOINT	1							
15	2	22190-120006	WASHER, SEAL 12	1							
16	1	124350-35600	JOINT ASSY, LO	1							
17	2	162008-00550	JOINT(LO	1							
18	2	124350-35700	CAP, JOINT	1							
19	2	24316-000280	O-RING, 4DP28.0	1							
20	1	24311-000320	O-RING, 1AP32.0	1							
21	1	26106-080252	BOLT, M8X 25 PLATED	24							
22	1	26106-080452	BOLT, M8X 45 PLATED	16							
24	1	119000-35140	BOLT, STUD FILTER	1							
25	1	129900-32030	O-RING, P20	1							
26	1	124798-35010	PIPE ASSY, OIL INLET	1							
30	1	26106-080142	BOLT, M8X 14 PLATED	1							
31	1	26106-080142	BOLT, M8X 14 PLATED	1							
32	1	124298-39450	SWITCH, HYDRAULIC	1							
33	1	124593-35170	FILTER, D80X100	1							1

Remarks

(1) Spare parts.

N:Old $\xrightarrow{\text{Yes}}$ New, Q:Old $\xrightarrow{\text{No}}$ New, R:Old $\xrightarrow{\text{Yes}}$ New, S:Old $\xrightarrow{\text{No}}$ New, W:Add, Z:Discontinued, F:Interchangeable by set, K:Q'ty Change

Fig.4. CYLINDER HEAD & BONNET

(A)=4GP98-GB1NA

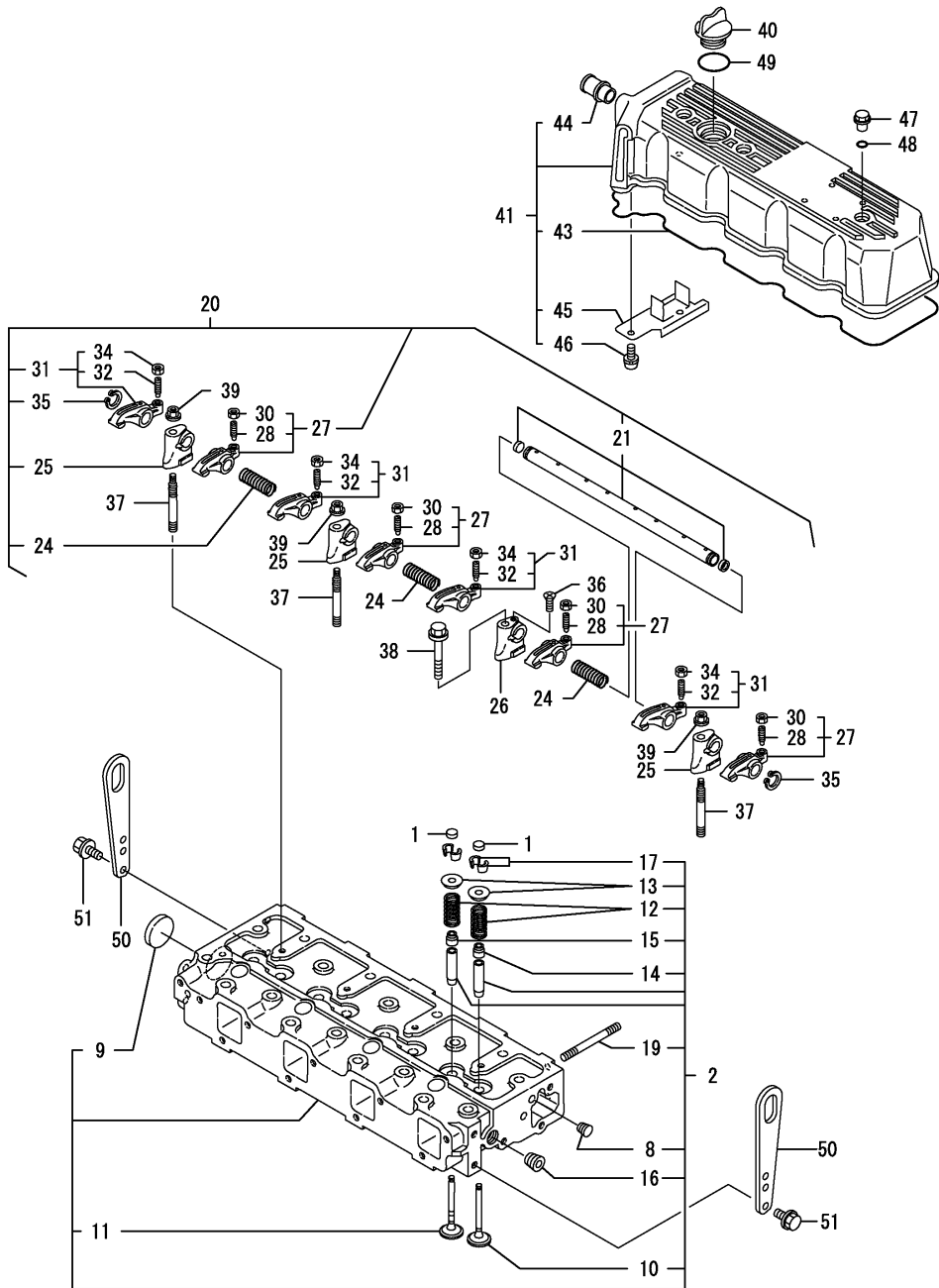
(B)=

(C)=

(D)=

(E)=

(F)=



No.	Lev.	Parts No.	Description	Q'ty						I	R
				(A)	(B)	(C)	(D)	(E)	(F)		
1	1	129150-11370	CAP, VALVE	8							
2	1	124793-11700	HEAD ASSY, CYLINDER	1							
8	2	23871-005000	PLUG, R005	1							
9	2	27241-400000	PLUG, 40	1							
10	2	124793-11100	VALVE, INTAKE	4							
11	2	124798-11110	VALVE, EXHAUST	4							
12	2	124798-11121	SPRING, VALVE	8							
13	2	129795-11180	RETAINER, SPRING	8							
14	2	124395-11340	SEAL, VALVE STEM	4							
15	2	124793-11340	STEMSEAL, VALVE	4							
16	2	23876-030000	PLUG, R03	1							
17	2	27310-080001	COTTER, 8	8							
19	1	123900-13610	BOLT, STUD M8X80	2							
20	1	124793-11200	SUPPORT ASSY, ROCKER	1							
21	2	124793-11240	SHAFT ASSY	1							
24	2	129900-11280	SPRING, ROCKER	3							
25	2	129900-11510	SUPPORT, ROCKER ARM	3							
26	2	129900-11520	SUPPORT, ROCKER ARM	1							
27	2	124793-11650	ARM, ROCKER	1							
28	3	124699-11230	SCREW, VALVE ADJUST	4							
30	3	129150-11750	NUT, M8	4							
31	2	124793-11660	ARM, ROCKER	1							
32	3	124699-11230	SCREW, VALVE ADJUST	4							
34	3	129150-11750	NUT, M8	4							
35	2	22242-000180	RING, 18	2							
36	2	26577-040162	SCREW, M4X16	1							
37	1	129900-11530	BOLT, STUD	3							
38	1	26106-100652	BOLT, M10X 65 PLATED	1							
39	1	26366-100002	NUT, M10	3							
40	1	124160-01751	CAP, FILLER	1							
41	1	124798-11350	BONNET ASSY, HEAD	1							
43	2	124793-11310	GASKET, BONNET	1							
44	2	129001-11340	PIPE, BREATHER	1							
45	2	129900-11600	PLATE, BAFFLE	1							
46	2	22857-500100	SCREW, 5X10	2							
47	1	124160-11360	KNOB	3							
48	1	24311-000120	O-RING, 1AP12.0	3							
49	1	24311-000320	O-RING, 1AP32.0	1							
50	1	124699-07910	LIFTER	2							
51	1	26106-080162	BOLT, M8X 16 PLATED	4							

Fig.5. SUCTION MANIFOLD

(A)=4GP98-GB1NA
(B)=
(C)=

(D)=
(E)=
(F)=

No.	Lev.	Parts No.	Description	Q'ty						I	R
				(A)	(B)	(C)	(D)	(E)	(F)		
1	1	124798-12101	MANIFOLD, AIR INTAKE	1							
2	1	124798-12110	GASKET, MANIFOLD	1							
3	1	26106-080252	BOLT, M8X 25 PLATED	1							
4	1	26106-080752	BOLT, M8X 75 PLATED	8							
5	1	26216-080452	STUD, M8X 45	2							
6	1	26216-080552	STUD, M8X 55	2							
7	1	124794-56020	MIXER ASSY	1							
25	1	124793-56160	SPACER	1							
26	1	124595-56170	GASKET, MIXER	1							
27	1	26306-080002	NUT, M8	4							
28	1	26366-060002	NUT, M6	1							
29	1	124793-56190	BRACKET, MIXER	1							
30	1	124798-56200	STAY	1							
31	1	129150-77511	GASKET, AIR HEATER	1							
32	1	26106-080182	BOLT, M8X 18 PLATED	2							
33	1	124794-56110	REGULATOR ASSY	1							

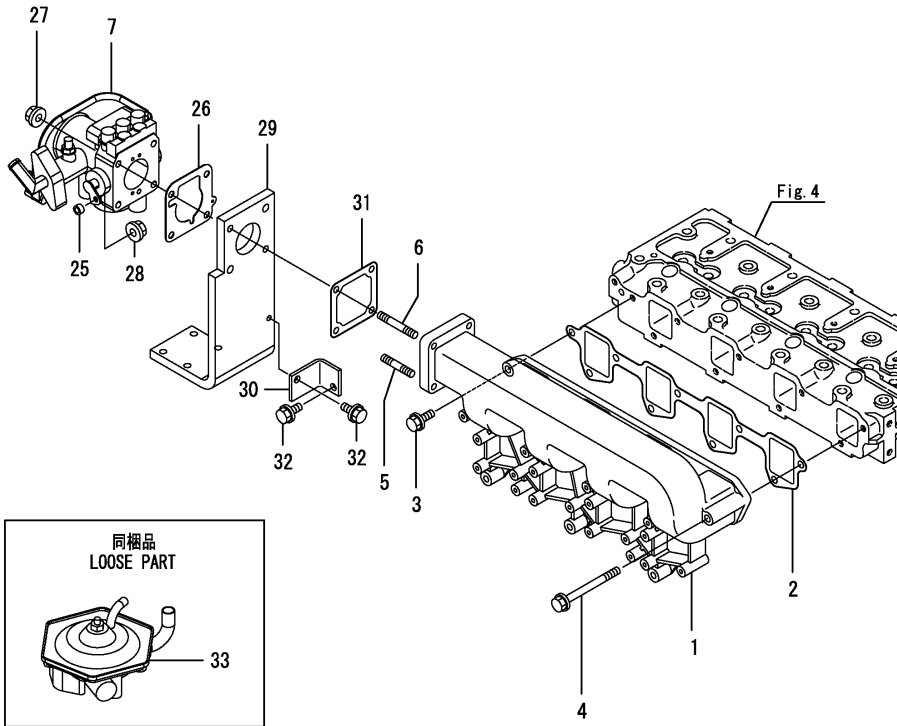
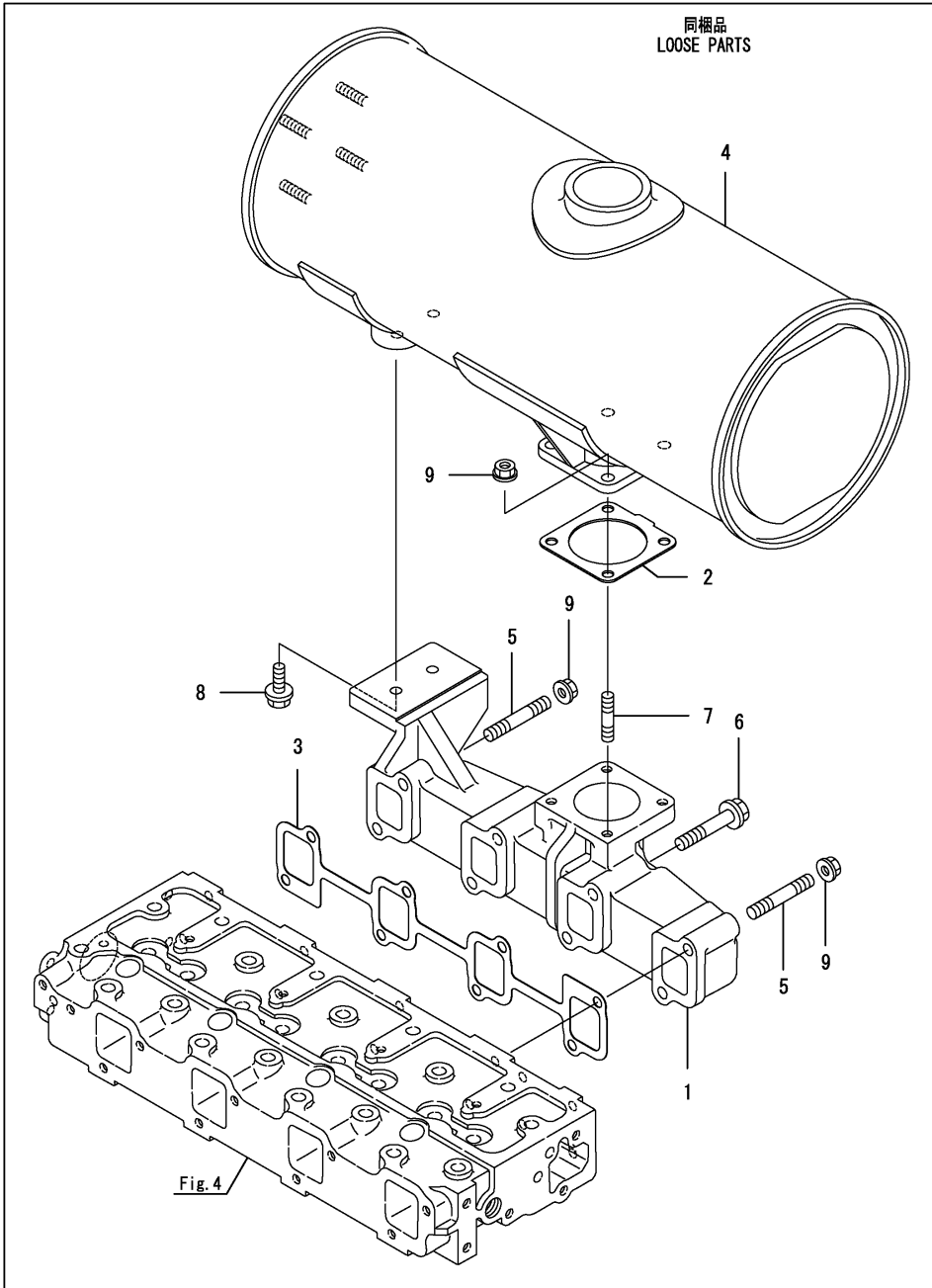


Fig.6. EXHAUST MANIFOLD & SILENCER

(A)=4GP98-GB1NA
(B)=
(C)=

(D)=
(E)=
(F)=



No.	Lev.	Parts No.	Description	Q'ty						I	R
				(A)	(B)	(C)	(D)	(E)	(F)		
1	1	129907-13201	MANIFOLD, EXHAUST	1							
2	1	129930-13201	GASKET, SILENCER	1							
3	1	129900-13251	GASKET, EXH.MANIFOLD	1							
4	1	129907-13500	SILENCER	1							
5	1	123900-13610	BOLT, STUD M8X80	2							
6	1	123900-13630	BOLT, M8X80	6							
7	1	119131-18320	BOLT, STUD M8X22	4							
8	1	26106-080252	BOLT, M8X 25 PLATED	2							
9	1	26306-080002	NUT, M8	6							

Fig.7. CRANKSHAFT, PISTON & CAMSHAFT

(A)=4GP98-GB1NA

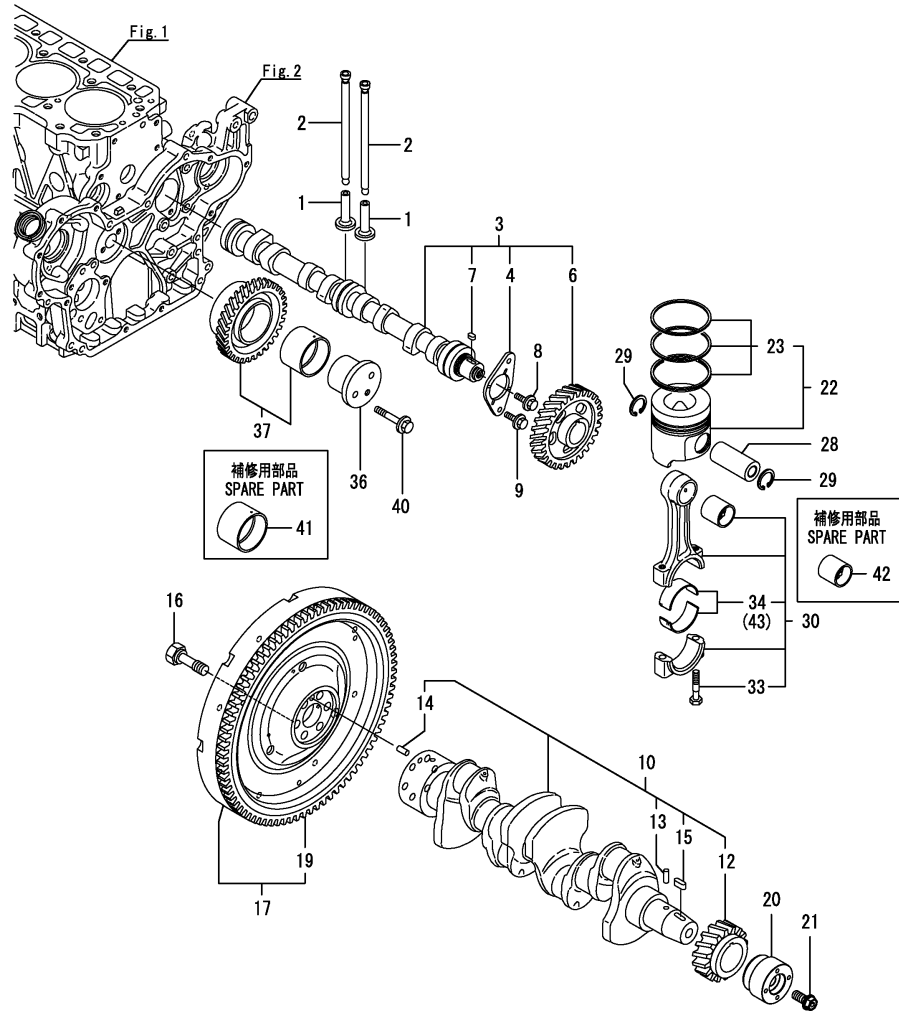
(B)=

(C)=

(D)=

(E)=

(F)=



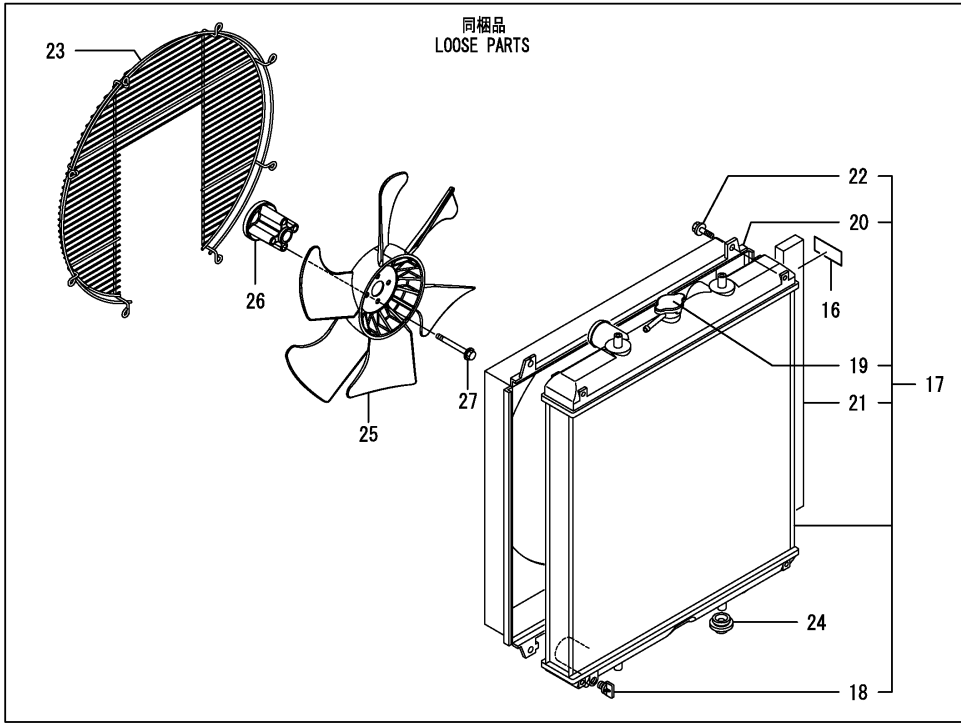
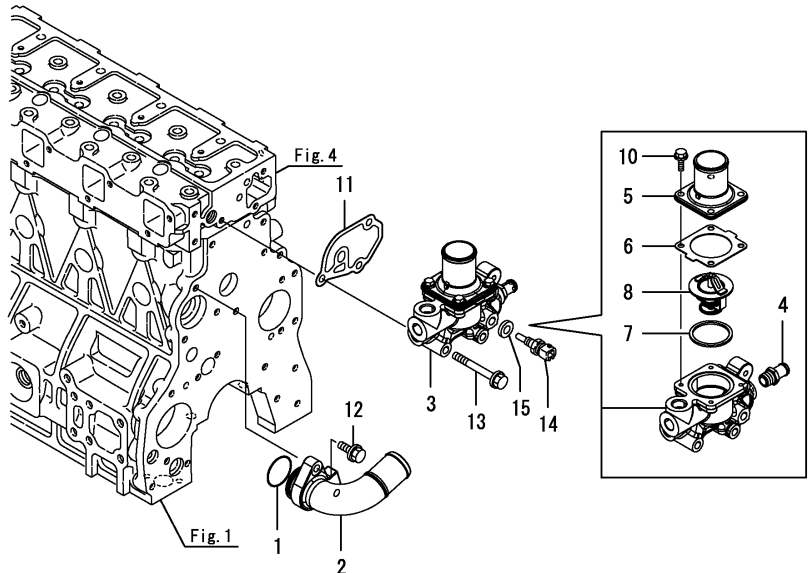
No.	Lev.	Parts No.	Description	Q'ty						I	R
				(A)	(B)	(C)	(D)	(E)	(F)		
1	1	129150-14200	TAPPET	8							
2	1	129900-14400	PUSH-ROD	8							
3	1	124793-14590	CAMSHAFT ASSY	1							
4	2	129150-02450	BEARING, THRUST	1							
6	2	129900-14100	GEAR, CAMSHAFT	1							
7	2	22512-070140	KEY, 7X 14	1							
8	1	26106-080142	BOLT, M8X 14 PLATED	1							
9	1	26106-080162	BOLT, M8X 16 PLATED	2							
10	1	129902-21000	CRANKSHAFT ASSY	1							
12	2	129900-21200	GEAR, CRANKSHAFT	1							
13	2	121850-21290	PIN	1							
14	2	121850-21920	PIN, PARALLEL 10X22	1							
15	2	22512-070140	KEY, 7X 14	1							
16	1	121850-21130	BOLT, FLYWHEEL	6							
17	1	124798-21580	FLYWHEEL ASSY	1							
19	2	127410-21480	GEAR, RING Z=129	1							
20	1	124794-21670	SPACER, CRANKSHAFT	1							
21	1	121850-21680	BOLT	1							
22	1	124793-22091	PISTON CMP	4							
23	2	124798-22050	RING SET, PISTON	4							
28	1	120130-22301	PIN, PISTON	4							
29	1	22252-000300	RING, 30	8							
30	1	129900-23001	ROD ASSY, CONNECTING	4							
33	2	129900-23200	BOLT, CONNECTING ROD	8							
34	2	129900-23601	BEARING, CRANK PIN	4							
36	1	129900-25060	SHAFT, IDLE	1							
37	1	129900-25100	GEAR ASSY, IDLE	1							
40	1	26106-080552	BOLT, M8X 55 PLATED	2							
41	1	129150-25920	BUSH, IDLE GEAR	1							1
42	1	129900-23911	BEARING, PISTON PIN	4							1
43	1	129900-23611	BEARING ASSY, 0.25US	4							2

Remarks

(1)Spare parts.

(2)Under-sized(U.S.=0.25) parts.

Fig.8. COOLING WATER SYSTEM



(A)=4GP98-GB1NA
(B)=
(C)=

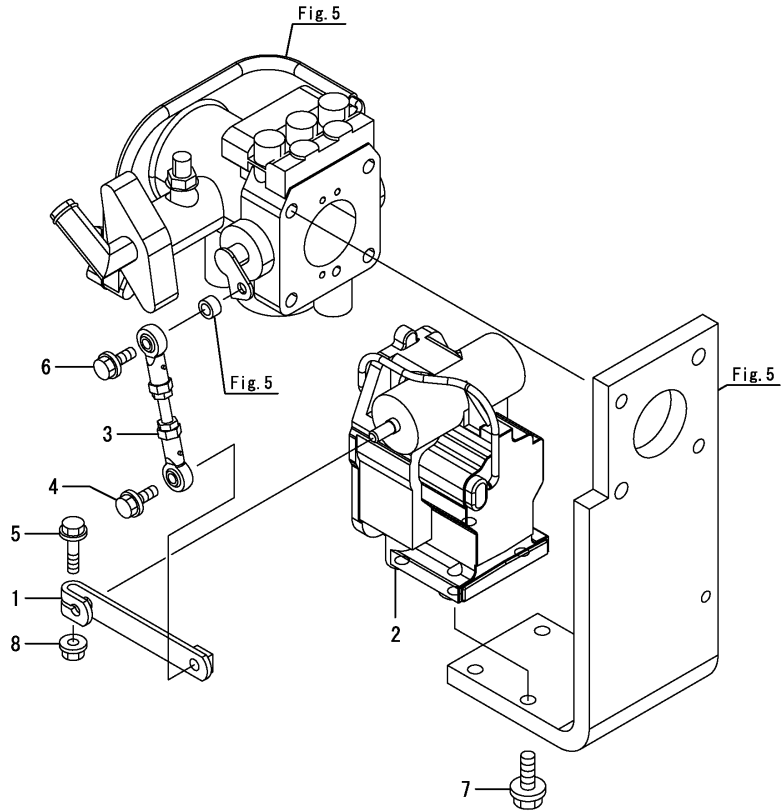
(D)=
(E)=
(F)=

No.	Lev.	Parts No.	Description	Q'ty						I	R
				(A)	(B)	(C)	(D)	(E)	(F)		
1	1	129900-42140	O-RING, P36	1							
2	1	124798-49101	JOINT	1							
3	1	124794-49800	CASE ASSY, THERMOSTA	1							
4	2	124893-49200	JOINT	1							
5	2	129916-49530	COVER, THERMOSTAT	1							
6	2	121850-49540	GASKET, THERMOSTAT	1							
7	2	121850-49550	GASKET, THERMOSTAT	1							
8	2	121850-49811	THERMOSTAT, 71C	1							
10	2	26106-060202	BOLT, M6X 20 PLATED	4							
11	1	129900-49870	GASKET, THERMOSTAT	1							
12	1	26106-080252	BOLT, M8X 25 PLATED	2							
13	1	26106-080602	BOLT, M8X 60 PLATED	3							
14	1	119254-44910	SENSOR, WATER TEMP.	1							
15	1	104200-59170	GASKET, 12	1							
16	1	172437-03391	LABEL, RADIATOR	1							
17	1	129940-44500	RADIATOR ASSY	1							
18	2	129508-44550	COCK ASSY	1							
19	2	129107-44590	CAP, RADIATOR	1							
20	2	129907-44600	SHROUD	1							
21	2	129907-44610	GASKET	2							
22	2	26014-060122	BOLT, M6X 12	4							
23	1	129907-44570	GUARD	1							
24	1	119255-44660	ABSORBER	2							
25	1	129916-44740	FAN, COOLING D=430	1							
26	1	124794-44760	SPACER, FAN	1							
27	1	26106-080752	BOLT, M8X 75 PLATED	4							

Fig.9. GOVERNOR

(A)=4GP98-GB1NA
(B)=
(C)=

(D)=
(E)=
(F)=



No.	Lev.	Parts No.	Description	Q'ty						I	R
				(A)	(B)	(C)	(D)	(E)	(F)		
1	1	124793-61080	LEVER, ACTUATOR	1							
2	1	124395-61100	ACTUATOR	1							
3	1	124793-61540	LINK ASSY	1							
4	1	26106-060162	BOLT, M6X 16 PLATED	1							
5	1	26106-060222	BOLT, M6X 22 PLATED	1							
6	1	26106-060282	BOLT, M6X 28 PLATED	1							
7	1	26106-080252	BOLT, M8X 25 PLATED	4							
8	1	26366-060002	NUT, M6	1							

Fig.10. STARTER MOTOR

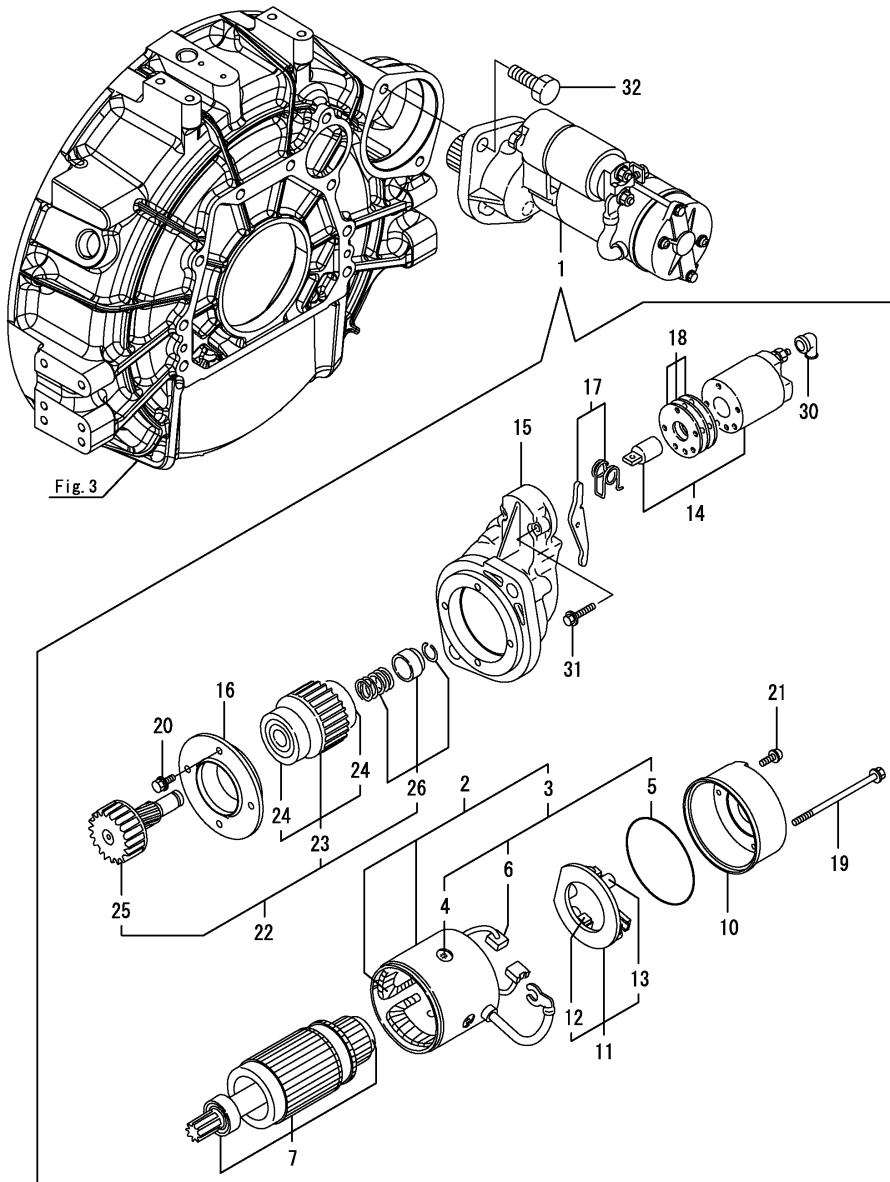


Fig. 3

(A)=4GP98-GB1NA
(B)=
(C)=

(D)=
(E)=
(F)=

No.	Lev.	Parts No.	Description	Qty						I	R
				(A)	(B)	(C)	(D)	(E)	(F)		
1	1	124793-77011	STARTER	1							
2	2	124793-77050	YOKE	1							
3	3	124793-77130	COIL ASSY, FIELD	1							
4	4	129940-77140	SCREW, CORE SET	4							
5	4	129940-77150	O-RING	1							
6	4	124793-77160	BRUSH	2							
7	2	129940-77100	ARMATURE ASSY	1							
10	2	129940-77171	COVER	1							
11	2	124793-77181	BRUSH HOLDER ASSY	1							
12	3	124793-77160	BRUSH	2							
13	3	129940-77190	SPRING, BRUSH	1							
14	2	129940-77210	SWITCH ASSY, MAGNET	1							
15	2	129940-77221	CASE, GEAR	1							
16	2	129940-77230	RETAINER, BEARING	1							
17	2	129940-77240	LEVER SET	1							
18	2	129940-77250	COVER KIT, DUST	1							
19	2	129940-77260	BOLT, THROUGH	2							
20	2	129940-77270	BOLT	4							
21	2	129940-77280	SCREW	2							
22	2	123900-77510	PINION ASSY	1							
23	3	123900-77520	CLUTCH ASSY	1							
24	4	X2240610100	BEARING, BALL	2							
25	3	123900-77540	SHAFT, PINION	1							
26	3	119131-77550	STOPPER SET, PINION	1							
30	2	121254-77810	COVER, TERMINAL	1							
31	2	114371-79070	BOLT	2							
32	1	26116-120302	BOLT, M12X 30 PLATED	2							

Parts No. Index

Parts No.	Fig. No.	Ref. No.
104200-59170	8	15
105300-01690	3	7
114371-79070	10	31
119000-01840	3	3
119000-35140	3	24
119131-18320	6	7
119131-77550	10	26
119254-44910	8	14
119255-44660	8	24
119309-01810	1	29
119620-49290	1	30
120130-22301	7	28
121254-77810	10	30
121850-21130	7	16
121850-21290	7	13
121850-21680	7	21
121850-21920	7	14
121850-49540	8	6
121850-49550	8	7
121850-49811	8	8
123900-13610	4	19
	6	5
123900-13630	6	6
123900-77510	10	22
123900-77520	10	23
123900-77540	10	25
124160-01751	2	6
	4	40
124160-11360	4	47
124298-39450	3	32
124350-35500	3	12
124350-35600	3	16
124350-35700	3	18
124350-35710	3	14
124395-11340	4	14
124395-61100	9	2
124399-78100	11	5
124399-78520	11	7
124593-35170	3	33
124593-78020	11	2
124593-78090	11	4
124595-56170	5	26
124698-78080	11	3
124698-78800	11	8
124699-01730	3	11
124699-07910	4	50
124699-11230	4	28
		32
124793-01700	3	6
124793-11100	4	10

Parts No.	Fig. No.	Ref. No.
124793-11200	4	20
124793-11240	4	21
124793-11310	4	43
124793-11340	4	15
124793-11650	4	27
124793-11660	4	31
124793-11700	4	2
124793-14590	7	3
124793-22091	7	22
124793-56160	5	25
124793-56190	5	29
124793-61080	9	1
124793-61540	9	3
124793-77011	10	1
124793-77050	10	2
124793-77130	10	3
124793-77160	10	6
		12
124793-77181	10	11
124793-78400	11	6
124794-01530	2	1
124794-01600	3	2
124794-21670	7	20
124794-44760	8	26
124794-49800	8	3
124794-56020	5	7
124794-56110	5	33
124798-01550	2	2
124798-01560	2	3
124798-01702	3	10
124798-02220	3	5
124798-11110	4	11
124798-11121	4	12
124798-11350	4	41
124798-12101	5	1
124798-12110	5	2
124798-21580	7	17
124798-22050	7	23
124798-35010	3	26
124798-49101	8	2
124798-56200	5	30
124893-49200	8	4
127410-21480	7	19
129001-11340	4	44
129100-01580	2	4
	3	1
129107-44590	8	19
129150-02450	7	4
129150-11370	4	1
129150-11750	4	30

Parts No.	Fig. No.	Ref. No.
129150-11750	4	34
129150-14200	7	1
129150-25920	7	41
129150-77511	5	31
129508-44550	8	18
129795-11180	4	13
129900-01200	1	25
129900-01250	1	4
129900-02020	1	6
129900-02341	1	37
129900-02410	1	9
129900-02931	1	22
129900-02941	1	40
129900-11280	4	24
129900-11510	4	25
129900-11520	4	26
129900-11530	4	37
129900-120006	4	45
129900-13251	6	3
129900-14100	7	6
129900-14400	7	2
129900-21200	7	12
129900-23001	7	30
129900-23200	7	33
129900-23601	7	34
129900-23611	7	43
129900-23911	7	42
129900-25060	7	36
129900-25100	7	37
129900-32001	2	10
129900-32030	2	22
	3	25
129900-32040	2	23
129900-42140	8	1
129900-49870	8	11
129901-01520	2	9
129902-01331	1	26
129902-21000	7	10
129907-13201	6	1
129907-13500	6	4
129907-44570	8	23
129907-44600	8	20
129907-44610	8	21
129916-01800	2	7
129916-44740	8	25
129916-49530	8	5
129930-13201	6	2
129940-44500	8	17
129940-77100	10	7
129940-77140	10	4

Parts No.	Fig. No.	Ref. No.
129940-77150	10	5
129940-77171	10	10
129940-77190	10	13
129940-77210	10	14
129940-77221	10	15
129940-77230	10	16
129940-77240	10	17
129940-77250	10	18
129940-77260	10	19
129940-77270	10	20
129940-77280	10	21
129951-01740	2	5
162006-00500	3	13
162008-00550	3	17
171051-01921	1	5
172437-03391	8	16
194440-51630	11	1
22190-120006	3	15
22190-270006	3	9
22242-000180	4	35
22252-000300	7	29
22351-060012	1	10
22512-070140	7	7
		15
22857-500100	4	46
23414-080000	1	27
23871-005000	4	8
23876-030000	1	11
	4	16
24311-000120	4	48
24311-000320	2	24
	3	20
	4	49
24316-000280	3	19
26014-060122	8	22
26106-060102	11	9
26106-060162	9	4
26106-060202	8	10
26106-060222	9	5
26106-060282	9	6
26106-080122	1	28
	11	10
26106-080142	3	30
		31
	7	8
26106-080162	4	51
	7	9
26106-080182	5	32
26106-080202	2	25
		26

Parts No. Index

Parts No.	Fig. No.	Ref. No.
26106-080252	3	21
	5	3
	6	8
	8	12
	9	7
26106-080302	2	27
26106-080402	2	28
26106-080452	2	29
		30
	3	22
26106-080552	7	40
26106-080602	8	13
26106-080702	2	31
26106-080752	2	32
	5	4
	8	27
26106-100652	4	38
26116-050082	11	11
		12
26116-120302	10	32
26206-100352	3	4
26216-080452	5	5
26216-080552	5	6
26226-080302	2	21
26306-080002	2	33
	5	27
	6	9
26366-060002	5	28
	9	8
26366-100002	4	39
26577-040162	4	36
27241-300000	1	12
27241-400000	4	9
27310-080001	4	17
724798-01560	1	1
729900-02801	1	34
X2240610100	10	24

Parts No.	Fig. No.	Ref. No.
-----------	----------	----------

Parts No.	Fig. No.	Ref. No.
-----------	----------	----------

Parts No.	Fig. No.	Ref. No.
-----------	----------	----------