

0CB50-M00160EN

# Contents

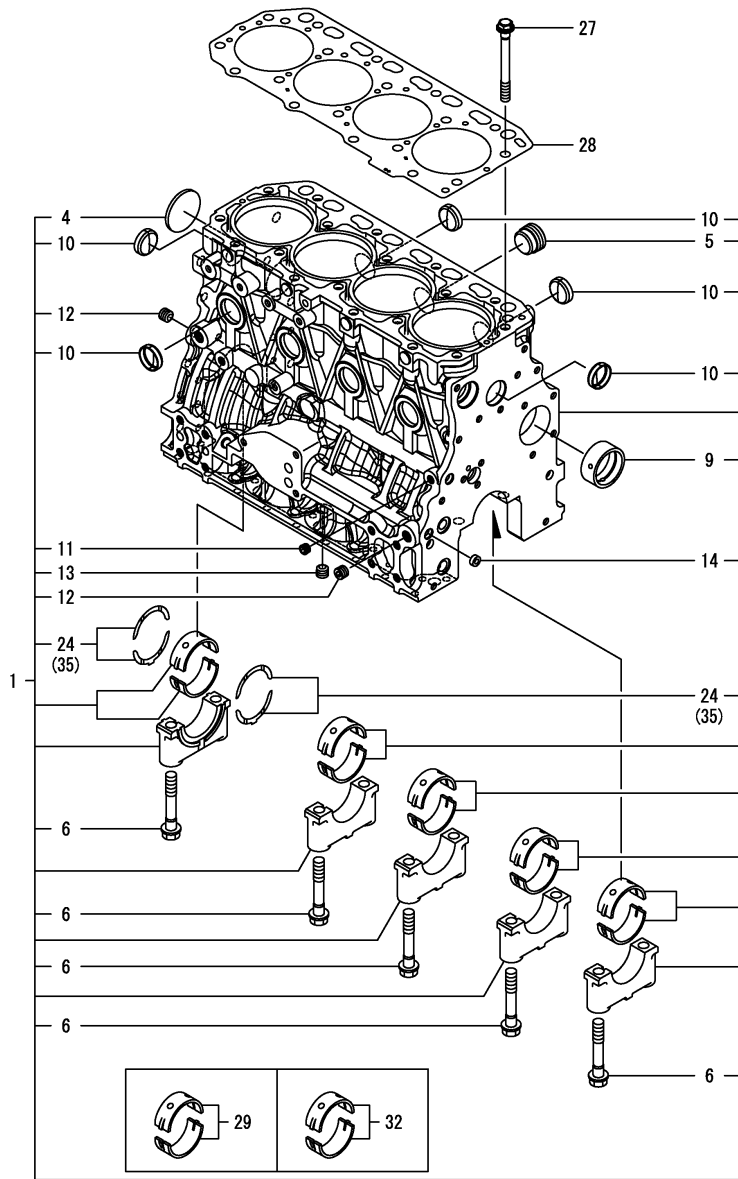
OCB50-M00160

Fig. No.	Fig. Name	Fig. No.	Fig. Name
<b>ENGINE</b>			
1.	CYLINDER BLOCK		
2.	GEAR HOUSING		
3.	FLYWHEEL HOUSING & OIL SUMP		
4.	CYLINDER HEAD & BONNET		
5.	SUCTION MANIFOLD		
6.	EXHAUST MANIFOLD		
7.	DIESEL PARTICULATE FILTER(DPF)		
8.	CAMSHAFT & DRIVING GEAR		
9.	CRANKSHAFT & PISTON		
10.	LUB. OIL SYSTEM		
11.	COOLING WATER SYSTEM		
12.	FUEL SUPPLY PUMP		
13.	FUEL INJECTION VALVE		
14.	FUEL PIPE		
15.	STARTER MOTOR		
16.	GENERATOR		
17.	ELECTRONIC CONTROL UNIT(ECU)		
18.	ELECTRIC PARTS		
19.	GASKET SET		

Fig.1. CYLINDER BLOCK

(A)=4TNV88C-KFW  
(B)=  
(C)=

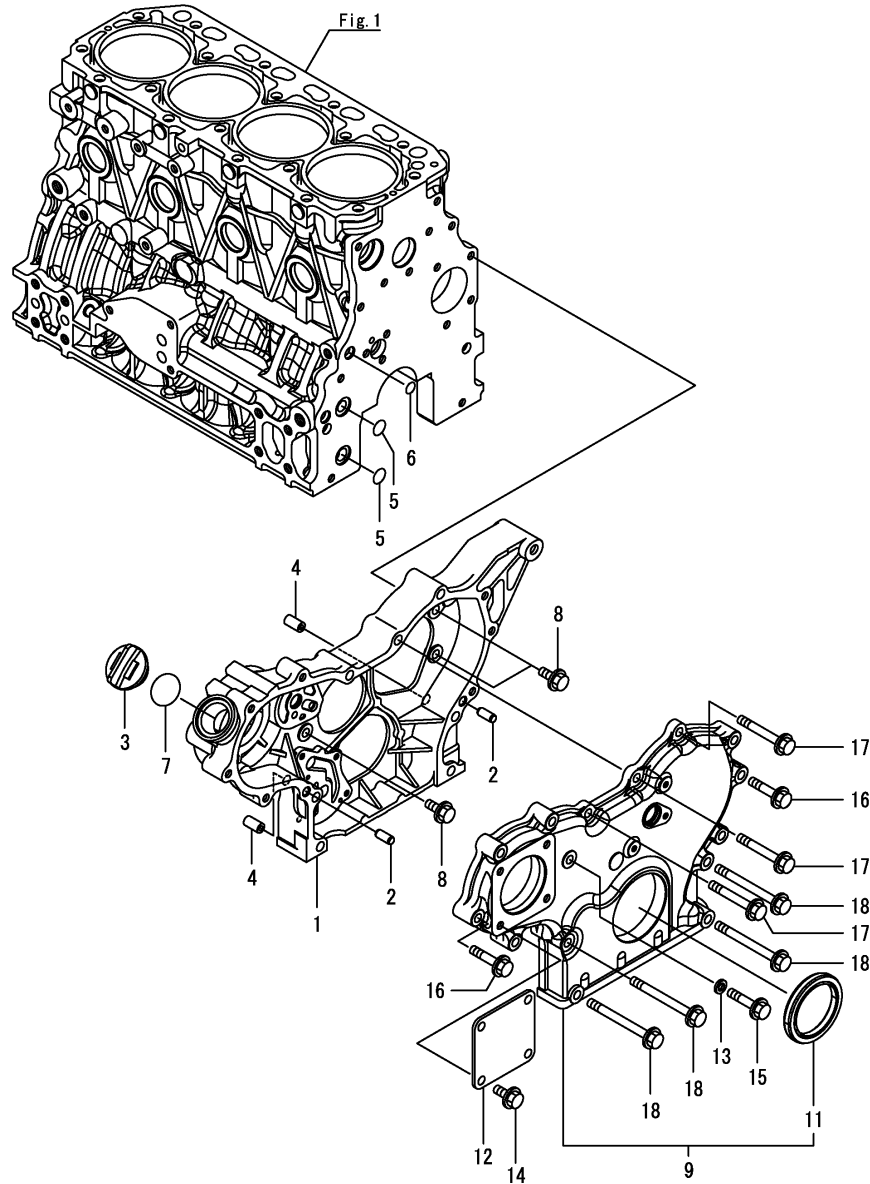
(D)=  
(E)=  
(F)=



No.	Lev.	Parts No.	Description	Q'ty						I	R
				(A)	(B)	(C)	(D)	(E)	(F)		
1	1	129C00-01560	BLOCK ASSY, CYLINDER	1							
4	2	129001-01250	PLUG, DISH TYPE 50	1							
5	2	171051-01921	PLUG, NPTF1	1							
6	2	129150-02020	BOLT, METAL CAP	10							
9	2	129795-02412	BUSH, CAMSHAFT	1							
10	2	27241-300000	PLUG 30	8							
11	2	124060-01050	PLUG, PT1/8	1							
12	2	124160-01910	PLUG, PT1/4	2							
13	2	124160-01910	PLUG, PT1/4	1							
14	2	27241-120000	PLUG, 12	1							
24	2	129150-02931	BEARING ASSY, THRUST	2							1
27	1	129150-01200	BOLT, CYLINDER HEAD	18							
28	1	129685-01350	GASKET, HEAD	1							
29	1	129001-02931	BEARING ASSY, MAIN	5							1
32	1	129150-02871	BEARING ASSY, MAIN	5							2
35	1	129150-02941	BEARING, THRUST 0.25	1							3

Remarks  
 (1) Spare parts.  
 (2) Under-sized (U.S.=0.25) parts.  
 (3) Over-sized (O.S.=0.25) parts.

Fig.2. GEAR HOUSING

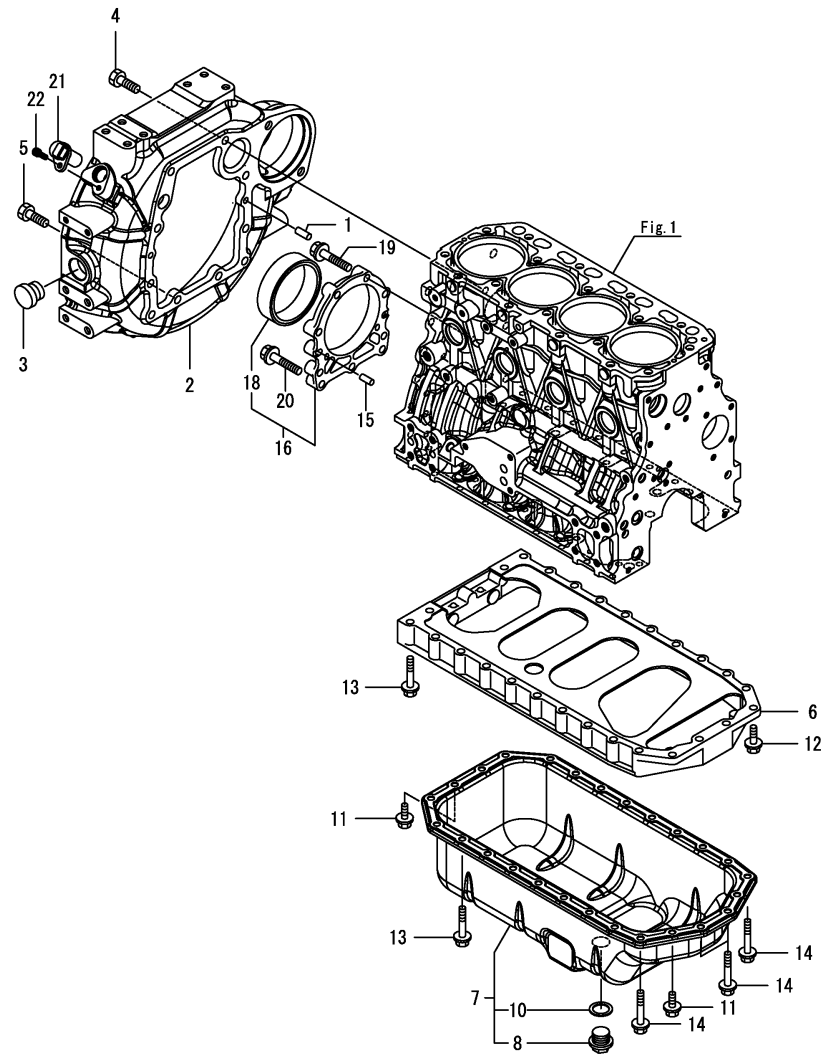


(A)=4TNV88C-KFW  
(B)=  
(C)=

(D)=  
(E)=  
(F)=

No.	Lev.	Parts No.	Description	Q'ty						I	R
				(A)	(B)	(C)	(D)	(E)	(F)		
1	1	129A00-01500	CASE, GEAR	1							
2	1	129100-01580	PIN, PARALLEL 8X16	2							
3	1	124160-01751	CAP, FILLER	1							
4	1	129795-01950	PIPE, DOWEL L=18	2							
5	1	119609-32040	O-RING, P16	2							
6	1	119624-32040	O-RING, P12.0	1							
7	1	24311-000320	O-RING, 1AP32.0	1							
8	1	26106-080162	BOLT, M8X 16 PLATED	3							
9	1	129A00-01550	COVER ASSY, GEAR CASE	1							
11	2	119934-01800	SEAL, OIL	1							
12	1	124240-01871	COVER, PUMP	1							
13	1	22190-080002	WASHER, SEAL 8	1							
14	1	26106-080162	BOLT, M8X 16 PLATED	4							
15	1	26106-080352	BOLT, M8X 35 PLATED	1							
16	1	26106-080402	BOLT, M8X 40 PLATED	7							
17	1	26106-080602	BOLT, M8X 60 PLATED	3							
18	1	26106-080852	BOLT, M8X 85 PLATED	4							

Fig.3. FLYWHEEL HOUSING & OIL SUMP



(A)=4TNV88C-KFW  
(B)=  
(C)=

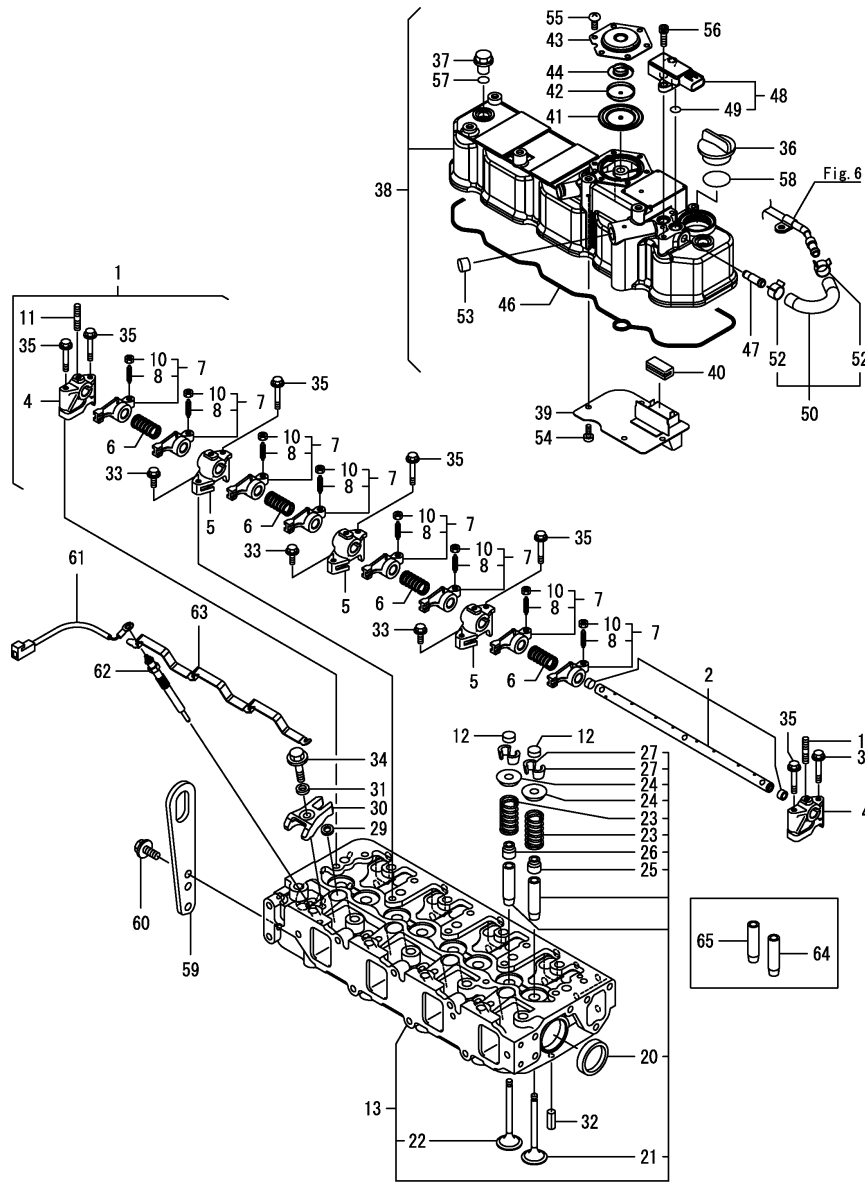
(D)=  
(E)=  
(F)=

No.	Lev.	Parts No.	Description	Q'ty						I	R
				(A)	(B)	(C)	(D)	(E)	(F)		
1	1	129100-01580	PIN, PARALLEL 8X16	2							
2	1	129A00-01602	HOUSING, FLYWHEEL	1							
3	1	119620-01750	CAP	1							
4	1	26206-100252	BOLT, M10X 25 PLATED	6							
5	1	26206-100302	BOLT, M10X 30 PLATED	4							
6	1	129400-01730	SPACER, OIL-PAN	1							
7	1	129436-01780	OIL PAN ASSY	1							
8	2	119640-01640	PLUG, DRAIN M22	1							
10	2	22190-220002	WASHER, SEAL 22	1							
11	1	26106-080162	BOLT, M8X 16 PLATED	4							
12	1	26106-080252	BOLT, M8X 25 PLATED	2							
13	1	26106-080452	BOLT, M8X 45 PLATED	20							
14	1	26106-080502	BOLT, M8X 50 PLATED	4							
15	1	129100-01580	PIN, PARALLEL 8X16	2							
16	1	129648-01600	CASE ASSY, OIL SEAL	1							
18	2	129648-01780	SEAL, OIL	1							
19	1	129486-01670	BOLT, M8X30	6							
20	1	26106-080352	BOLT, M8X 35 PLATED	3							
21	1	129A00-21710	SENSOR, FLYWHEEL REV	1							1
22	1	26450-060162	BOLT, M6X 16	1							

Remarks

(1)When replacing this part, it is necessary to update the software of the ECU using the designated service tool. Please refer to the Service Manual for details.

Fig.4. CYLINDER HEAD & BONNET



(A)=4TNV88C-KFW

(B)=

(C)=

(D)=

(E)=

(F)=

No.	Lev.	Parts No.	Description	Q'ty						I	R
				(A)	(B)	(C)	(D)	(E)	(F)		
1	1	129601-11241	SHAFT ASSY, ROCKER	1							
2	2	129601-11251	SHAFT, ROCKER ARM	1							
4	2	119802-11260	SUPPORT, ROCKER ARM	2							
5	2	119802-11270	SUPPORT, ROCKER ARM	3							
6	2	129150-11280	SPRING, ROCKER	4							
7	2	129004-11650	ARM ASSY, ROCKER	8							
8	3	129150-11230	SCREW, VALVE ADJUST	8							
10	3	129150-11750	NUT, M8	8							
11	2	26226-080182	STUD, M8X 18	3							
12	1	129150-11370	CAP, VALVE	8							
13	1	129C20-11700	HEAD ASSY, CYLINDER	1							
20	2	27241-400000	PLUG, 40	2							
21	2	129005-11100	VALVE, SUCTION	4							
22	2	129100-11112	VALVE, EXHAUST	4							
23	2	129795-11120	SPRING, VALVE	8							
24	2	129795-11180	RETAINER, SPRING	8							
25	2	124460-11340	SEAL, VALVE STEM	4							
26	2	129A00-11340	SEAL, VALVE STEM	4							
27	2	27310-080001	COTTER, 8	8							
29	1	129978-11871	GASKET,INJECTOR	4							
30	1	129A00-11900	RETAINER, INJECTOR	4							
31	1	120270-54410	WASHER, INJECTOR	4							
32	1	22351-060012	PIN, SPRING 6.0X12	2							
33	1	26106-080252	BOLT, M8X 25 PLATED	3							
34	1	26106-080352	BOLT, M8X 35 PLATED	4							
35	1	26106-080502	BOLT, M8X 50 PLATED	7							
36	1	124160-01751	CAP, FILLER	1							
37	1	124160-11360	KNOB	3							
38	1	129C00-11360	BONNET ASSY	1							
39	2	129004-03010	PLATE, BAFFLE	1							
40	2	129150-03070	BAFFLE, BREATHER	1							
41	2	123907-03100	DIAPHRAGM	1							
42	2	123907-03110	PLATE	1							
43	2	123907-03120	PLATE, BREATHER	1							
44	2	123907-03140	SPRING, DIAPHRAGM	1							
46	2	129C00-11310	GASKET, COVER	1							
47	2	129A00-11330	JOINT	1							
48	2	129978-12700	SENSOR,PRESSURE	1							1
49	3	129A00-12780	O-RING,PRES SENSOR	2							
50	2	129A00-13360	HOSE ASSY, PRES EXH	1							
52	3	129A00-13380	CLIP, HOSE 14	2							
53	2	119640-61400	PLUG	1							
54	2	22857-500100	SCREW, 5X10	4							
55	2	22857-500100	SCREW, 5X10	6							
56	2	26450-060162	BOLT, M6X 16	2							
57	1	24311-000120	O-RING, 1AP12.0	3							
58	1	24311-000320	O-RING, 1AP32.0	1							
59	1	129900-07900	LIFTER, ENGINE	1							
60	1	26106-080162	BOLT, M8X 16 PLATED	2							
61	1	119803-77830	HARNES, WIRE	1							
62	1	129008-77800	PLUG, GLOW	4							

Remarks

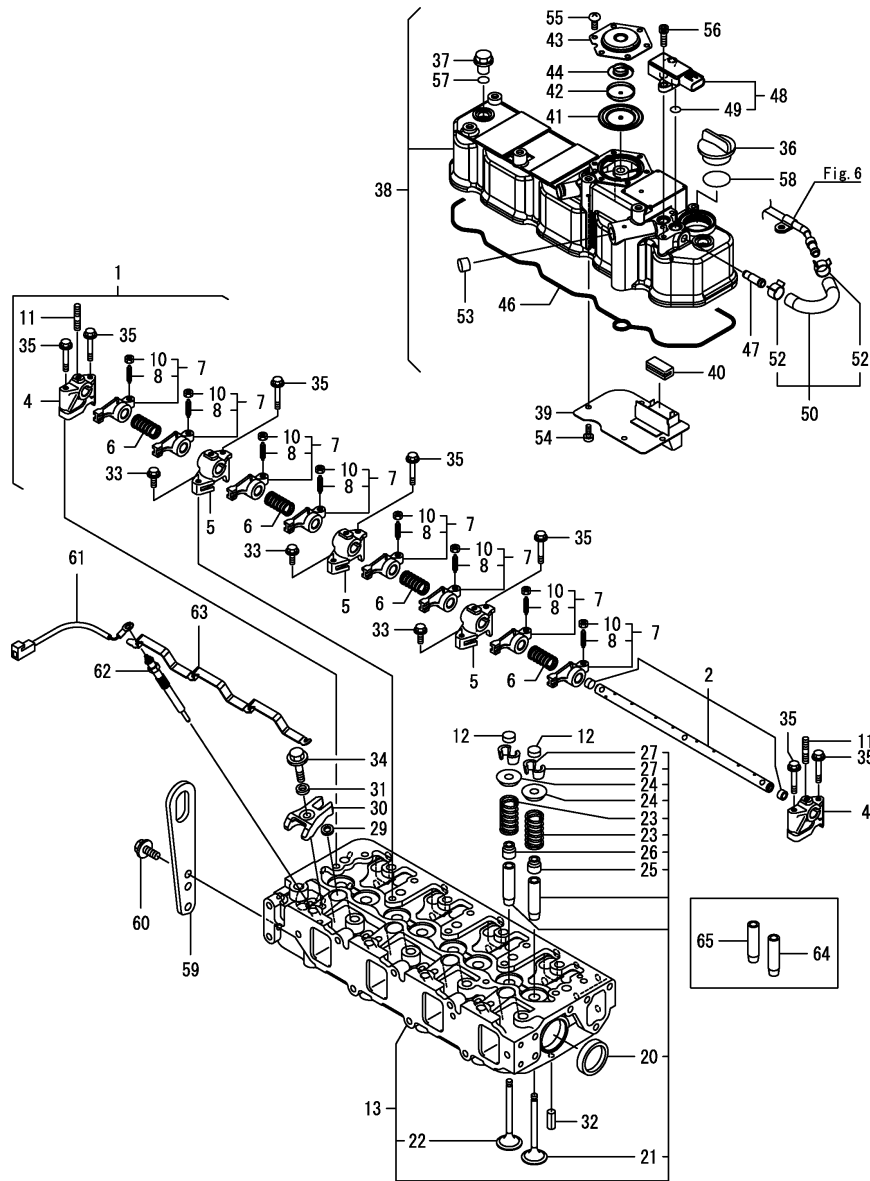
(1)When replacing this part, it is necessary to update the software of the ECU using the designated service tool. Please refer to the Service Manual for details.

(2)Spare parts.

Fig.4. CYLINDER HEAD & BONNET

(A)=4TNV88C-KFW  
(B)=  
(C)=

(D)=  
(E)=  
(F)=



No.	Lev.	Parts No.	Description	Q'ty						I	R
				(A)	(B)	(C)	(D)	(E)	(F)		
63	1	129C00-77820	CONNECTOR, GLOW PLUG	1							
64	1	120130-11860	GUIDE, VALVE	4							2
65	1	129150-11810	GUIDE, VALVE	4							2

Remarks

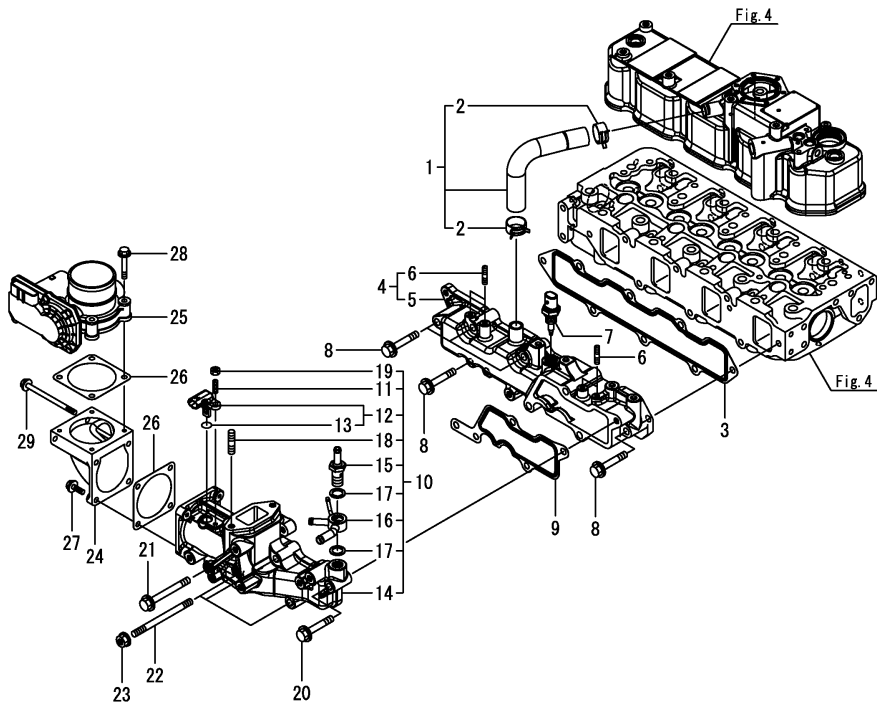
- (1)When replacing this part, it is necessary to update the software of the ECU using the designated service tool. Please refer to the Service Manual for details.
- (2)Spare parts.

Fig.5. SUCTION MANIFOLD

(A)=4TNV88C-KFW  
(B)=  
(C)=

(D)=  
(E)=  
(F)=

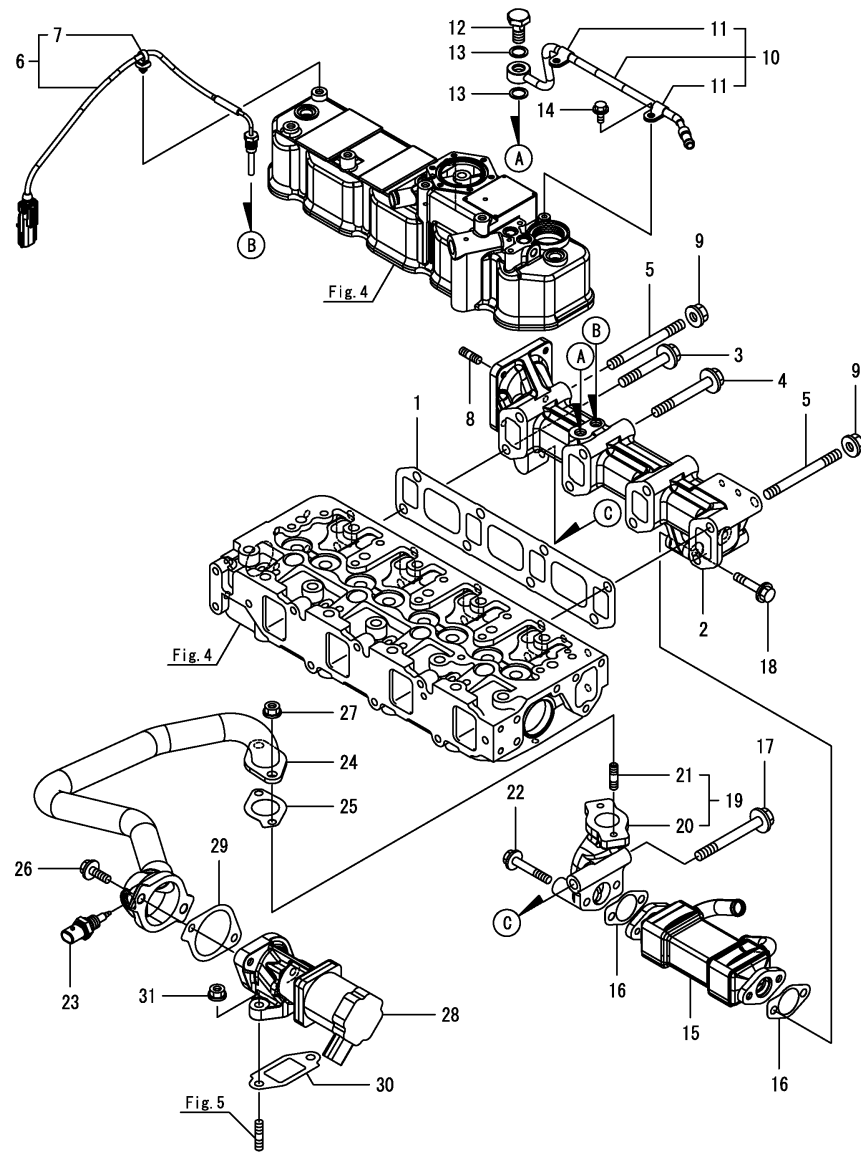
No.	Lev.	Parts No.	Description	Qty						I	R
				(A)	(B)	(C)	(D)	(E)	(F)		
1	1	129005-03080	HOSE ASSY, BREATHER	1							
2	2	129410-03990	CLAMP, HOSE 21.5	2							
3	1	129C00-12110	GASKET, INT MANIFOLD	1							
4	1	129C00-12150	MANIFOLD CMP,INTAKE	1							
5	2	129C00-12100	MANIFOLD,INT	1							
6	2	26216-060202	STUD, M6X 20	4							
7	1	129A00-12720	SENSOR,AIR TEMP	1							1
8	1	26106-080502	BOLT, M8X 50 PLATED	5							
9	1	129A00-12810	GASKET, COLLECTOR	1							
10	1	129A00-12851	COLLECTOR, INT CMP	1							
11	2	119660-01570	BOLT, STUD M6X12	1							
12	2	129A00-12711	SENSOR,AIR TEMP	1							
13	3	129A00-12790	O-RING,TEMP SENSOR	1							
14	2	129A00-12830	COLLECTOR, INT	1							
15	2	129A00-59110	JOINT, HOSE M14	1							
16	2	129A00-59120	JOINT, HOSE 14	1							
17	2	22190-140002	WASHER, SEAL 14	2							
18	2	26216-080302	STUD, M8X 30	2							
19	2	26716-060002	NUT, M6	1							
20	1	26106-080502	BOLT, M8X 50 PLATED	1							
21	1	26106-080752	BOLT, M8X 75 PLATED	1							
22	1	26216-081052	STUD, M8X105	3							
23	1	26306-080002	NUT, M8	3							
24	1	129A00-12820	BEND, INLET	1							
25	1	129A00-12900	THROTTLE BODY(INT	1							1
26	1	129A00-12910	GASKET,THROTTLE	2							
27	1	26106-060202	BOLT, M6X 20 PLATED	2							
28	1	26106-060402	BOLT, M6X 40 PLATED	4							
29	1	26106-060902	BOLT, M6X 90 PLATED	2							



Remarks  
(1)When replacing this part, it is necessary to update the software of the ECU using the designated service tool.  
Please refer to the Service Manual for details.



Fig.6. EXHAUST MANIFOLD



(A)=4TNV88C-KFW

(B)=

(C)=

(D)=

(E)=

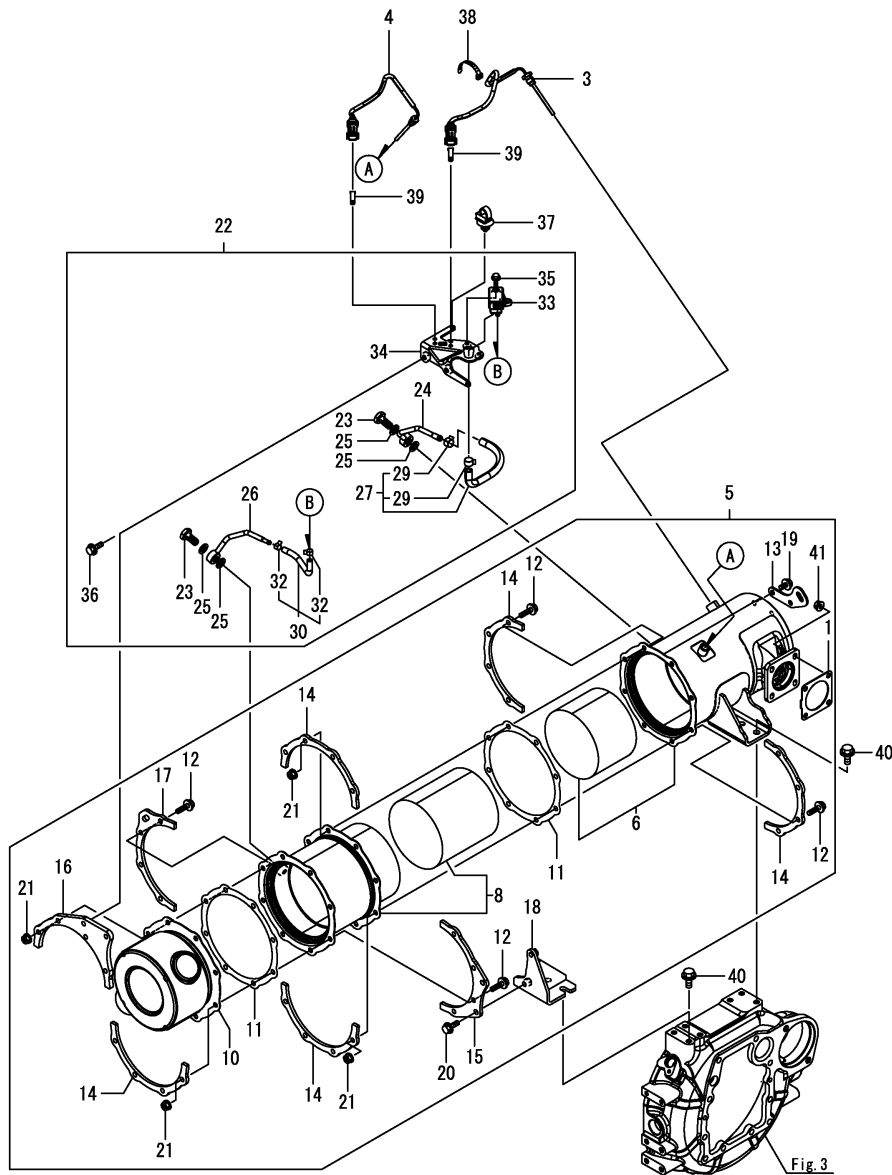
(F)=

No.	Lev.	Parts No.	Description	Q'ty						I	R
				(A)	(B)	(C)	(D)	(E)	(F)		
1	1	129C00-13110	GASKET, EXH MANIFOLD	1							
2	1	129C00-13121	MANIFOLD, EXHAUST	1							
3	1	129F01-13620	BOLT, M10X65 10.9T	1							
4	1	129F01-13630	BOLT, M10X80 10.9T	5							
5	1	129A01-13700	STUD,10X80	2							
6	1	129A00-13770	SENSOR,EXH TEMP.	1							1
7	2	129A00-91200	BAND CLIP	1							
8	1	119131-18320	BOLT, STUD M8X22	4							
9	1	26306-100002	NUT, M10	2							
10	1	129A00-13300	PIPE ASSY, EXHAUST P	1							
11	2	23297-080061	CLAMP, A8X 6	2							
12	1	129A00-13350	BOLT, PIPE JOINT	1							
13	1	23414-120000	GASKET, 12X1.0	2							
14	1	26106-060122	BOLT, M6X 12 PLATED	2							
15	1	129A00-13400	COOLER, EGR	1							
16	1	129A00-13410	GASKET, EGR COOLER	2							
17	1	129F01-13600	BOLT, M10X90 10.9T	1							
18	1	129E00-13620	BOLT, M8X40 10.9	2							
19	1	129A00-13851	PIPE CMP, EGR OUT	1							
20	2	129A00-13861	PIPE,EGR OUT	1							
21	2	129418-18320	BOLT, STUD M8X20	2							
22	1	26106-080502	BOLT, M8X 50 PLATED	2							
23	1	129A00-13751	SENSOR,EGR GAS TEMP	1							1
24	1	129C00-13800	PIPE(EGR CMP	1							
25	1	129927-13810	GASKET	1							
26	1	26106-080252	BOLT, M8X 25 PLATED	2							
27	1	26306-080002	NUT, M8	2							
28	1	129C00-13901	VALVE, EGR	1							1
29	1	129A00-13910	GASKET, EGR-V IN	1							
30	1	129A00-13920	GASKET(EGR-V OUT	1							
31	1	26306-080002	NUT, M8	2							

Remarks

(1)When replacing this part, it is necessary to update the software of the ECU using the designated service tool. Please refer to the Service Manual for details.

Fig.7. DIESEL PARTICULATE FILTER(DPF)



(A)=4TNV88C-KFW  
(B)=  
(C)=

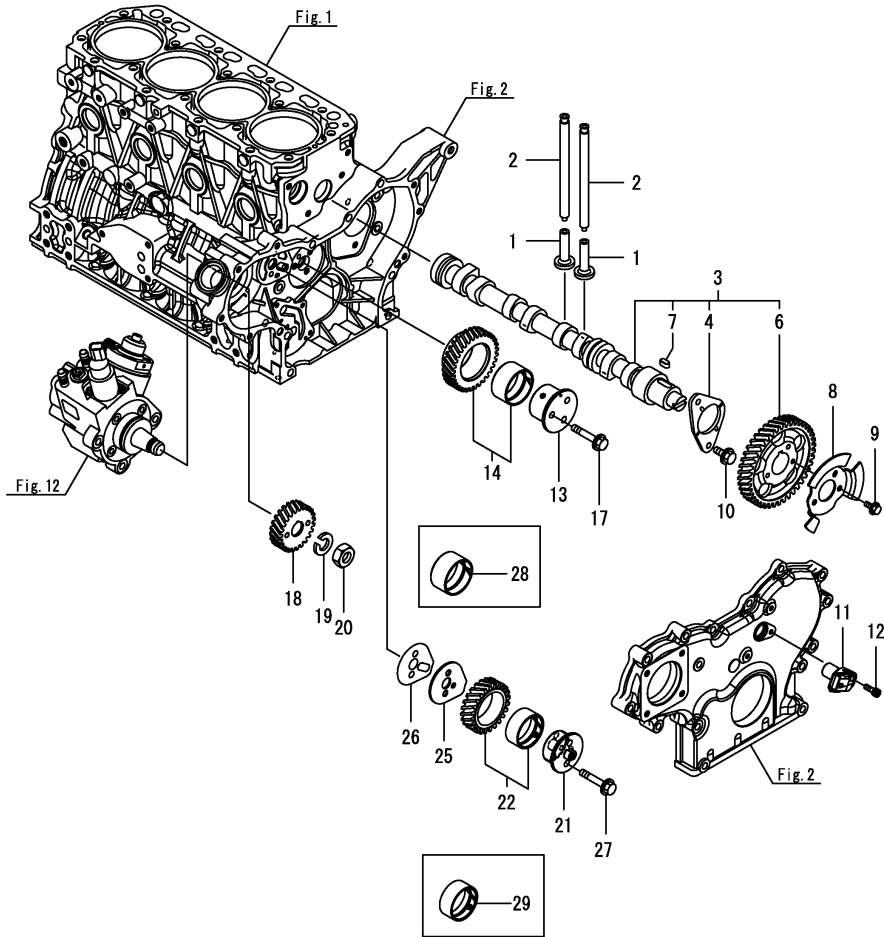
(D)=  
(E)=  
(F)=

No.	Lev.	Parts No.	Description	Q'ty						I	R
				(A)	(B)	(C)	(D)	(E)	(F)		
1	1	129930-13201	GASKET, SILENCER	1							
3	1	129C00-13940	SENSOR, EXH.TEMP	1							1
4	1	129C00-13950	SENSOR, EXH.TEMP	1							1
5	1	129C22-16020	DPF ASSY	1							1
6	2	129C00-16201	CASE, DOC	1							1
8	2	129C00-16400	CASE, SOOT FILTER	1							1
10	2	129C00-16500	SILENCER, DPF	1							
11	2	129A00-16600	GASKET, DPF	2							
12	2	129A00-16610	BOLT, M8X28 10.9T	16							
13	2	129C01-16690	LIFTER, DPF	1							
14	2	129A00-16700	STIFFENER, DPF A	5							
15	2	129A00-16710	STIFFENER, DPF B	1							
16	2	129A00-16730	STIFFENER, DPF C	1							
17	2	129A00-16740	STIFFENER, DPF C	1							
18	2	129C00-16801	STAY,DPF	1							
19	2	26106-080142	BOLT, M8X 14 PLATED	2							
20	2	26106-080222	BOLT, M8X 22 PLATED	2							
21	2	26306-080002	NUT, M8	16							
22	1	129C00-17230	SENSOR UNIT,PRESSURE	1							
23	2	129A00-13350	BOLT, PIPE JOINT	2							
24	2	129A00-17300	PIPE, SENSOR	1							
25	2	129A00-17311	GASKET,SENSOR	4							
26	2	129A00-17350	PIPE, SENSOR	1							
27	2	129C00-17600	HOSE ASSY,PRES EXH	1							
29	3	129A00-17520	CLIP, HOSE	2							
30	2	129A00-17650	HOSE ASSY,PRES EXH	1							
32	3	129A00-17570	CLIP, HOSE	2							
33	2	129978-17700	SENSOR,PRESSURE	1							1
34	2	129A00-17760	BRACKET, PRES SENSOR	1							
35	2	26106-060162	BOLT, M6X 16 PLATED	2							
36	2	26106-080202	BOLT, M8X 20 PLATED	2							
37	1	129A00-91200	BAND CLIP	1							
38	1	129C00-91200	BAND	1							
39	1	129A00-91430	CLIP, CONNECTOR	2							
40	1	26106-100202	BOLT, M10X 20 PLATED	4							
41	1	26306-080002	NUT, M8	4							

Remarks

(1)When replacing this part, it is necessary to update the software of the ECU using the designated service tool. Please refer to the Service Manual for details.

Fig.8. CAMSHAFT & DRIVING GEAR



(A)=4TNV88C-KFW  
(B)=  
(C)=

(D)=  
(E)=  
(F)=

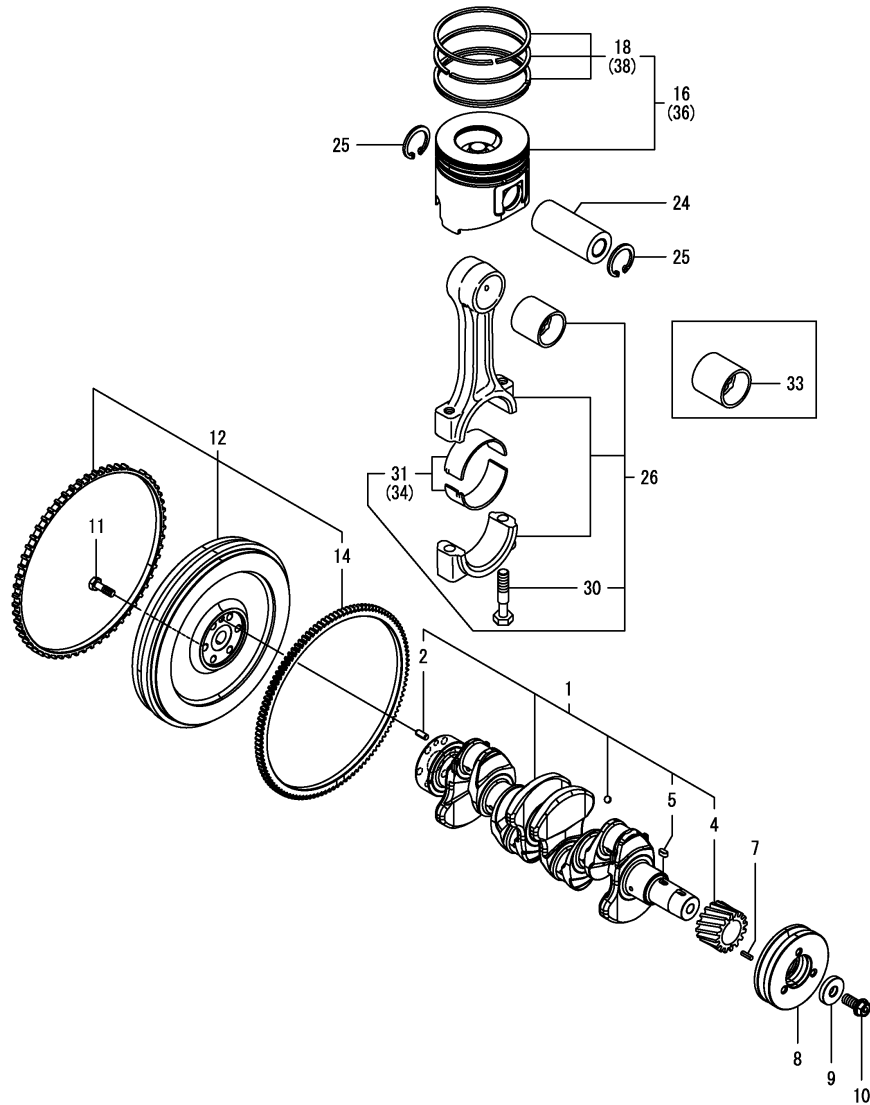
No.	Lev.	Parts No.	Description	Q'ty						I	R
				(A)	(B)	(C)	(D)	(E)	(F)		
1	1	129150-14200	TAPPET	8							
2	1	129150-14400	PUSH-ROD, L=178	8							
3	1	129C00-14580	CAMSHAFT ASSY	1							
4	2	129150-02450	BEARING, THRUST	1							
6	2	129A00-14100	GEAR,CAMSHAFT	1							
7	2	22512-070140	KEY, 7X 14	1							
8	1	129A00-14700	PULSER, CAMSHAFT	1							
9	1	26106-060102	BOLT, M6X 10 PLATED	3							
10	1	26106-080142	BOLT, M8X 14 PLATED	2							
11	1	129A00-14710	SENSOR, GEAR REV	1							
12	1	26450-060162	BOLT, M6X 16	1							
13	1	129A00-25050	SHAFT, IDLE GEAR A	1							
14	1	129A00-25110	GEAR ASSY, IDLE A	1							
17	1	26106-080452	BOLT, M8X 45 PLATED	3							
18	1	129A00-25900	GEAR, SUPPLY PUMP	1							
19	1	22217-180000	WASHER, SPRING 18	1							
20	1	26776-180002	NUT, LOCK M18	1							
21	1	129A00-25060	SHAFT, IDLE GEAR B	1							
22	1	129A00-25120	GEAR ASSY, IDLE B	1							
25	1	129A00-25200	PLATE, IDLE SHAFT B	1							
26	1	129A00-25210	GASKET, IDLE SHAFT B	1							
27	1	26106-080402	BOLT, M8X 40 PLATED	2							
28	1	119802-25071	BUSH, IDLE GEAR	1							1
29	1	129A00-25080	BUSH	1							1

Remarks

(1)Spare parts.

N:Old  $\xrightarrow{\text{Yes}}$  New, Q:Old  $\xrightarrow{\text{No}}$  New, R:Old  $\xrightarrow{\text{Yes}}$  New, S:Old  $\xrightarrow{\text{No}}$  New, W:Add, Z:Discontinued, F:Interchangeable by set, K:Q'ty Change

Fig.9. CRANKSHAFT & PISTON



(A)=4TNV88C-KFW  
(B)=  
(C)=

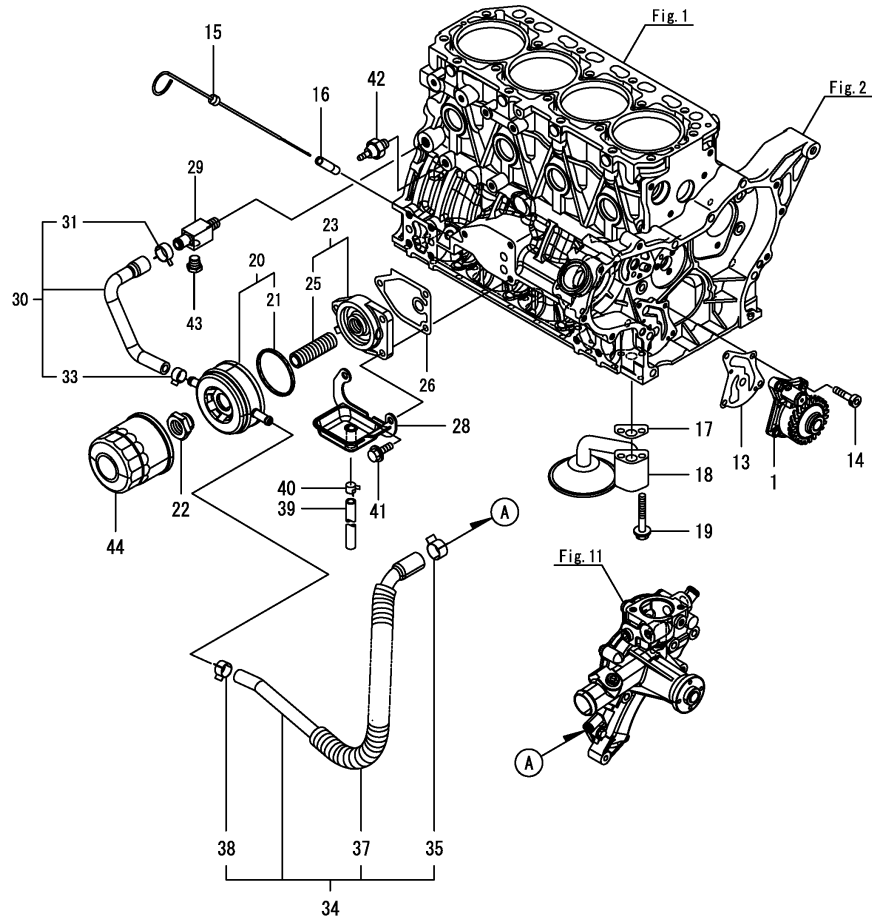
(D)=  
(E)=  
(F)=

No.	Lev.	Parts No.	Description	Q'ty						I	R
				(A)	(B)	(C)	(D)	(E)	(F)		
1	1	129604-21000	CRANKSHAFT ASSY	1							
2	2	129100-01580	PIN, PARALLEL 8X16	1							
4	2	119803-21200	GEAR, CRANKSHAFT	1							
5	2	22512-070140	KEY, 7X 14	1							
7	1	22351-030010	PIN, SPRING 3.0X10	1							
8	1	119802-21660	V-PULLEY, CRANK 120	1							
9	1	129795-21661	WASHER	1							
10	1	121850-21680	BOLT	1							
11	1	121111-21501	BOLT, FLYWHEEL	6							
12	1	129C00-21580	FLYWHEEL ASSY	1							
14	2	119865-21600	GEAR, RING Z=116	1							
16	1	129C00-22080	PISTON ASSY	4							
18	2	129A00-22500	RING ASSY, PISTON	4							
24	1	129202-22300	PIN, PISTON D26 L70	4							
25	1	22252-000260	RING, 26	8							
26	1	729402-23100	ROD ASSY, CONNECTING	4							
30	2	121550-23200	BOLT, CONNECTING ROD	8							
31	2	129150-23601	BEARING, CRANK PIN	4							
33	1	129100-23910	BEARING, PISTON PIN	4							1
34	1	129150-23611	BEARING, 0.25 US	4							2
36	1	129C00-22900	PISTON ASSY, 0.25OS	4							3
38	2	129A00-22950	RING SET, 0.25 OS	4							3

Remarks

- (1) Spare parts.
- (2) Under-sized (U.S.=0.25) parts.
- (3) Over-sized (O.S.=0.25) parts.

Fig.10. LUB. OIL SYSTEM



(A)=4TNV88C-KFW  
(B)=  
(C)=

(D)=  
(E)=  
(F)=

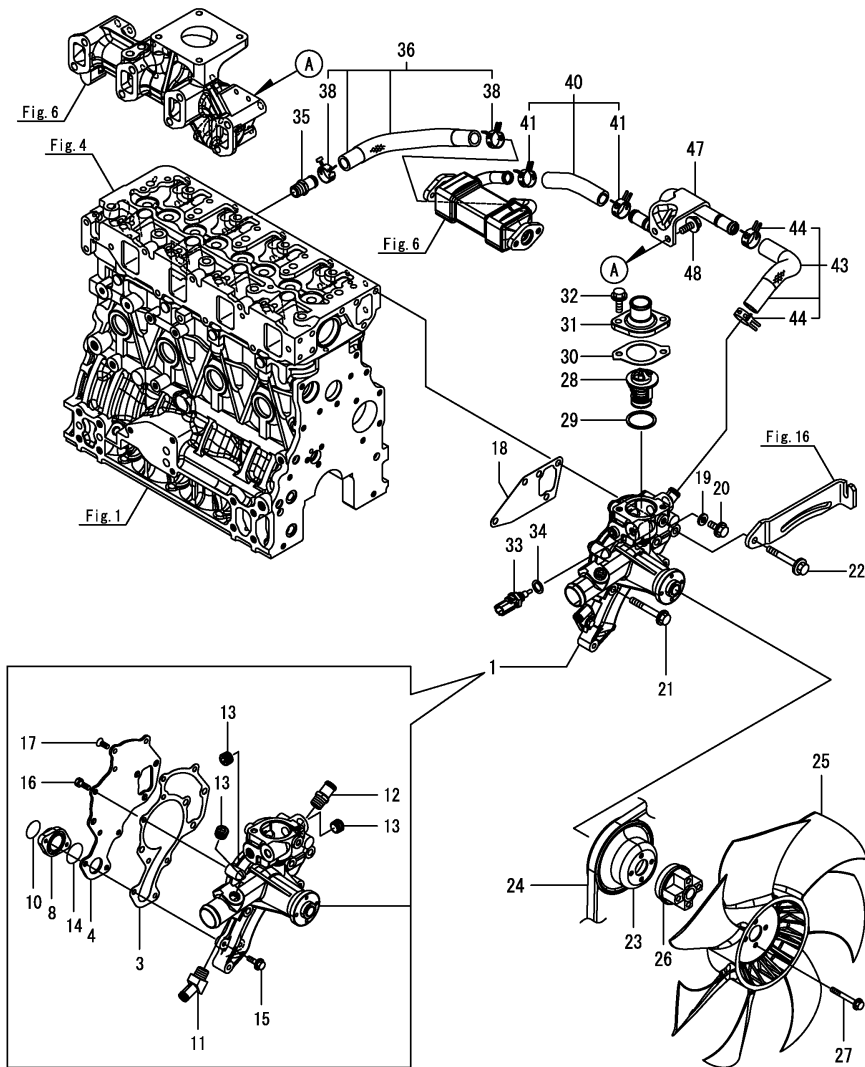
No.	Lev.	Parts No.	Description	Q'ty						I	R
				(A)	(B)	(C)	(D)	(E)	(F)		
1	1	129C00-32000	PUMP ASSY, LUB.OIL	1							
13	1	129486-32020	GASKET, PUMP	1							
14	1	26450-060252	BOLT, M6X 25	4							
15	1	129004-34802	DIPSTICK	1							
16	1	121520-34810	GUIDE, DIPSTICK	1							
17	1	129150-35042	GASKET	1							
18	1	129436-35070	PIPE ASSY, OIL INLET	1							
19	1	26106-080552	BOLT, M8X 55 PLATED	2							
20	1	129508-33031	COOLER ASSY, OIL	1							
21	2	129508-33060	PACKING, OIL COOLER	1							
22	1	129417-33111	NUT, OIL COOLER	1							
23	1	129006-35100	BRACKET ASSY, FILTER	1							
25	2	129417-35150	BOLT, STUD M20X67	1							
26	1	129150-35111	GASKET	1							
28	1	129240-35800	SUMP, OIL	1							
29	1	129006-44480	JOINT	1							
30	1	129508-49030	HOSE ASSY, WATER	1							
31	2	171008-03990	CLAMP, HOSE 18.5	1							
33	2	23080-015000	CLAMP, 15	1							
34	1	129508-49040	HOSE ASSY, WATER	1							
35	2	171008-03990	CLAMP, HOSE 18.5	1							
37	2	119940-59130	TUBE, CORRUGATED 19	1							
38	2	23080-015000	CLAMP, 15	1							
39	1	23065-120500	PIPE, 12X 500	1							
40	1	23080-014000	CLAMP, 14	1							
41	1	26106-080202	BOLT, M8X 20 PLATED	3							
42	1	114250-39450	SWITCH, HYDRAULIC	1							
43	1	171056-49120	PLUG, DRAIN R1/4	1							
44	1	129150-35170	FILTER,LO	1							1

Remarks

(1) Spare parts.

N:Old  $\xrightarrow{\text{Yes}}$  New, Q:Old  $\xrightarrow{\text{No}}$  New, R:Old  $\xrightarrow{\text{Yes}}$  New, S:Old  $\xrightarrow{\text{No}}$  New, W:Add, Z:Discontinued, F:Interchangeable by set, K:Q'ty Change

Fig.11. COOLING WATER SYSTEM



(A)=4TNV88C-KFW  
(B)=  
(C)=

(D)=  
(E)=  
(F)=

No.	Lev.	Parts No.	Description	Q'ty						I	R
				(A)	(B)	(C)	(D)	(E)	(F)		
1	1	129A33-42001	PUMP ASSY, CW HIGH	1							
3	2	129150-42059	GASKET	1							
4	2	129263-42120	PLATE, PUMP	1							
8	2	129150-42301	FLANGE	1							
10	2	129054-42320	O-RING	1							
11	2	129055-49300	ELBOW, R3/8	1							
12	2	129928-49420	JOINT	1							
13	2	129916-49740	PLUG, R3/8	1							
14	2	24358-240310	O-RING, 524031	1							
15	2	26106-060202	BOLT, M6X 20 PLATED	2							
16	2	26116-060162	BOLT, M6X 16 PLATED	3							
17	2	26577-060162	SCREW, M6X16	3							
18	1	129486-42050	GASKET, WATER PUMP	1							
19	1	23414-080000	GASKET, 8X1.0	1							
20	1	26106-080122	BOLT, M8X 12 PLATED	1							
21	1	26106-080552	BOLT, M8X 55 PLATED	3							
22	1	26106-080602	BOLT, M8X 60 PLATED	1							
23	1	129652-42350	V-PULLEY, D=105	1							
24	1	25152-004200	V-BELT, A42	1							
25	1	129655-44740	FAN, COOLING D380	1							
26	1	129030-44760	SPACER, FAN L38.5	1							
27	1	26106-060502	BOLT, M6X 50 PLATED	4							
28	1	129155-49801	THERMOSTAT, 71C	1							
29	1	129150-49811	GASKET, THERMOSTAT	1							
30	1	129795-49551	GASKET	1							
31	1	129350-49530	COVER, THERMOSTAT	1							
32	1	26106-080222	BOLT, M8X 22 PLATED	2							
33	1	129927-44900	SENSOR, WATER TEMP.	1							1
34	1	22190-120002	WASHER, SEAL 12	1							
35	1	129928-49420	JOINT	1							
36	1	129A00-49610	PIPE ASSY, WATER IN	1							
38	2	129960-03990	CLAMP, HOSE 19.8	2							
40	1	129C00-49610	PIPE ASSY, WATER OUT	1							
41	2	129960-03990	CLAMP, HOSE 19.8	2							
43	1	129C00-49620	PIPE ASSY, WATER OUT	1							
44	2	129960-03990	CLAMP, HOSE 19.8	2							
47	1	129C00-49700	CW PIPE OUT(EGR-C	1							
48	1	26106-080162	BOLT, M8X 16 PLATED	2							

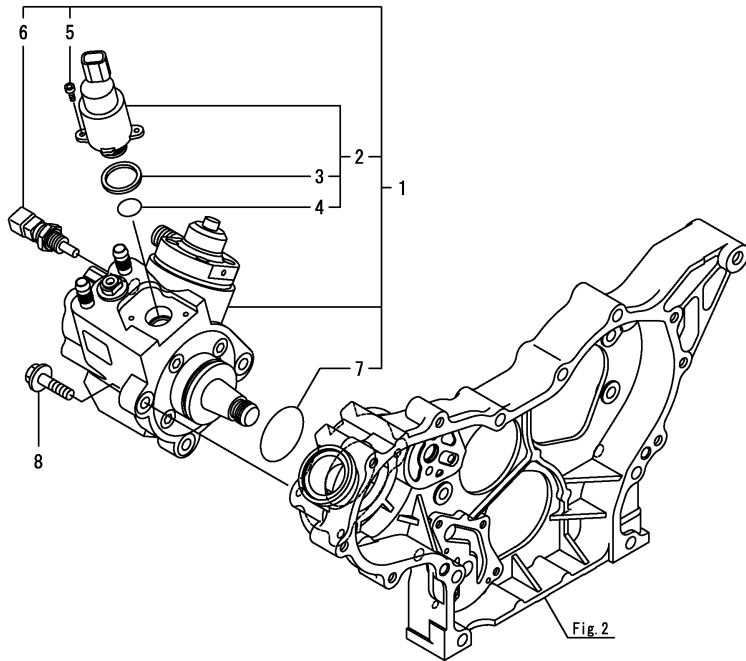
Remarks

(1)When replacing this part, it is necessary to update the software of the ECU using the designated service tool. Please refer to the Service Manual for details.

Fig.12. FUEL SUPPLY PUMP

(A)=4TNV88C-KFW  
(B)=  
(C)=

(D)=  
(E)=  
(F)=

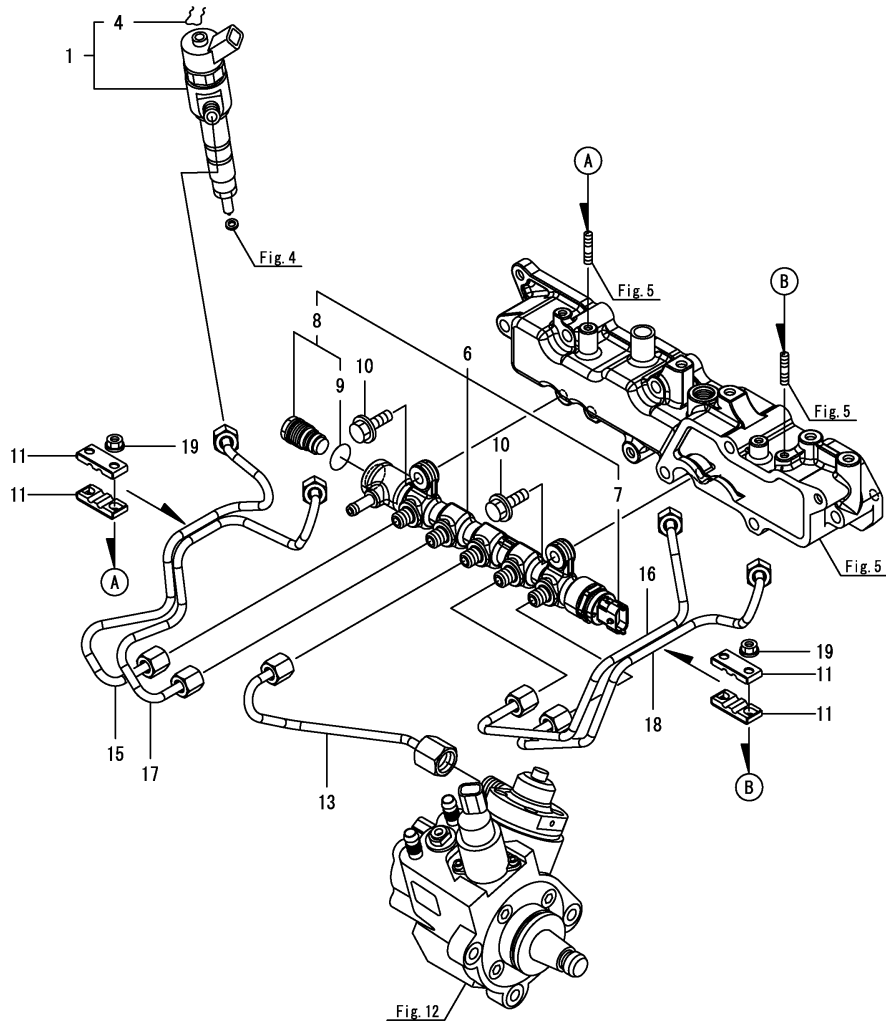


No.	Lev.	Parts No.	Description	Q'ty						I	R
				(A)	(B)	(C)	(D)	(E)	(F)		
1	1	129A00-51000	PUMP ASSY, FUEL	1							1
2	2	129A00-51100	VALVE ASSY, MPROP	1							1
3	3	129A00-51110	RING, SEALING	1							
4	3	129A00-51120	O-RING, MPROP	1							
5	2	129A00-51130	BOLT, MPROP	2							
6	2	129A00-51200	SENSOR, TEMPERATURE	1							1
7	2	129A00-51900	O-RING, FUEL PUMP	1							
8	1	26106-080302	BOLT, M8X 30 PLATED	3							

Remarks

(1)When replacing this part, it is necessary to update the software of the ECU using the designated service tool. Please refer to the Service Manual for details.

Fig.13. FUEL INJECTION VALVE



(A)=4TNV88C-KFW  
(B)=  
(C)=

(D)=  
(E)=  
(F)=

No.	Lev.	Parts No.	Description	Q'ty						I	R
				(A)	(B)	(C)	(D)	(E)	(F)		
1	1	129A00-53100	INJECTOR, CR	4							1
4	2	129A00-53200	RING, RETAINING	4							
6	1	129C00-57000	RAIL ASSY	1							1
7	2	129A00-57100	SENSOR, RAILPRESSURE	1							1
8	2	129A00-57200	VALVE ASSY, PLV4	1							1
9	3	129A00-57210	O-RING, PLV4	1							
10	1	26106-080252	BOLT, M8X 25 PLATED	2							
11	1	122780-59100	RETAINER	4							
13	1	129A00-59700	PIPE ASSY, RAIL IN	1							
15	1	129C00-59810	PIPE ASSY, INJECTION	1							
16	1	129A00-59820	PIPE ASSY, INJECTION	1							
17	1	129C00-59820	PIPE ASSY, INJECTION	1							
18	1	129A00-59830	PIPE ASSY, INJECTION	1							
19	1	26366-060002	NUT, M6	4							

Remarks

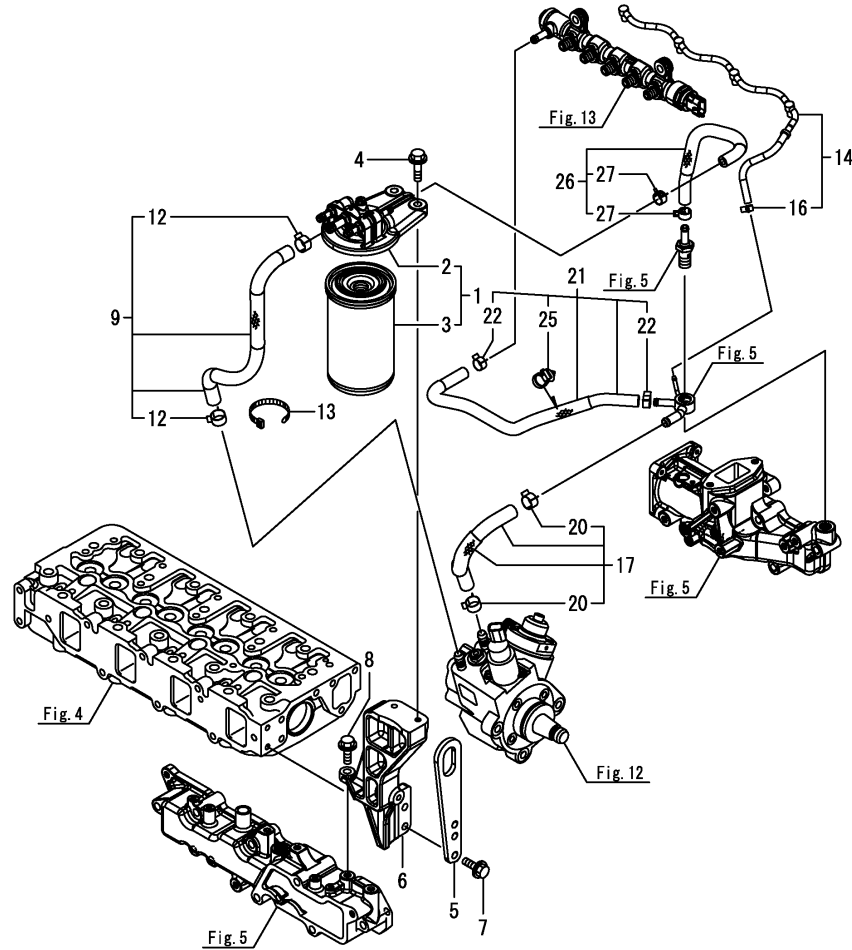
(1)When replacing this part, it is necessary to update the software of the ECU using the designated service tool. Please refer to the Service Manual for details.



Fig.14. FUEL PIPE

(A)=4TNV88C-KFW  
(B)=  
(C)=

(D)=  
(E)=  
(F)=

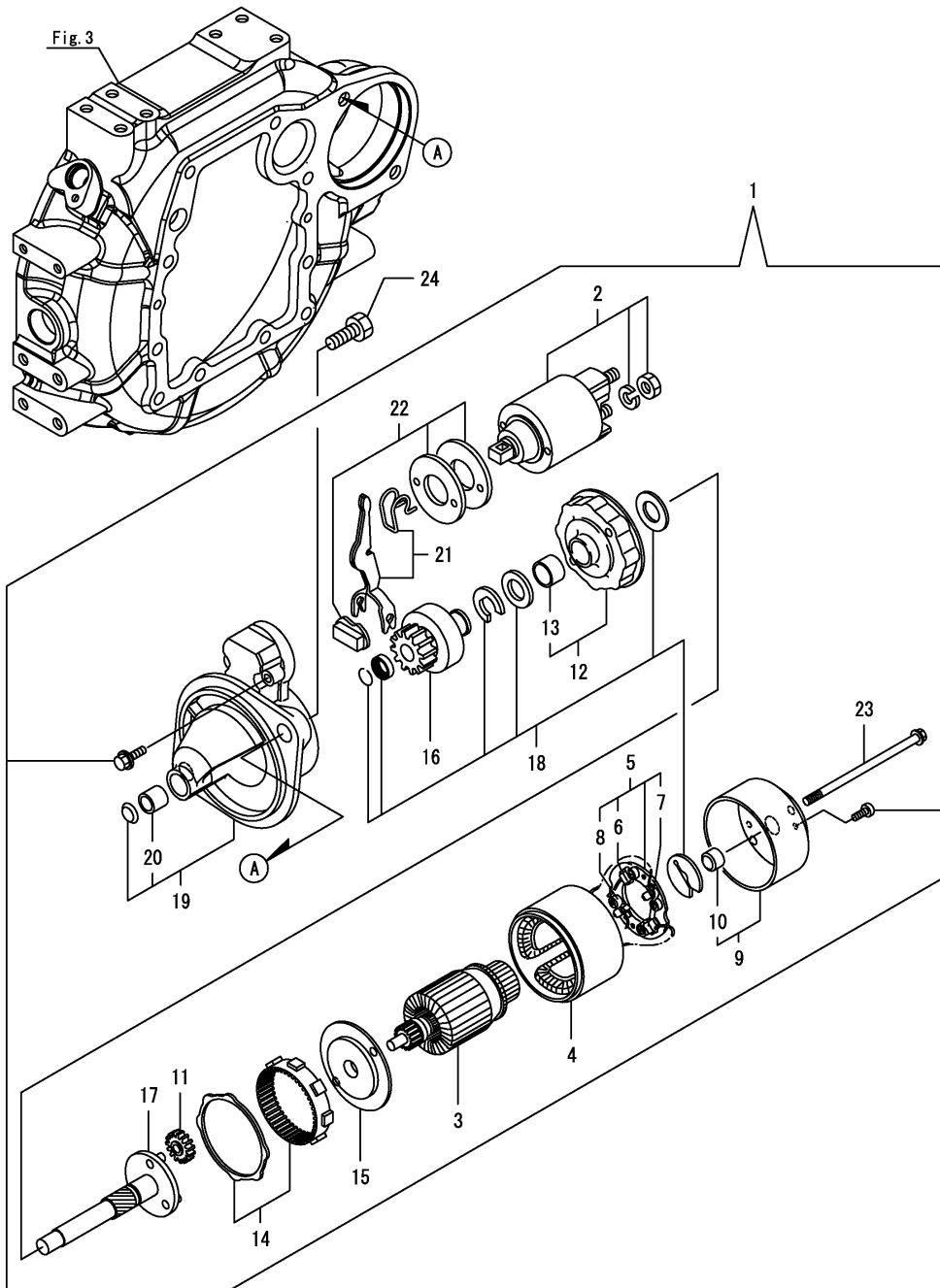


No.	Lev.	Parts No.	Description	Q'ty						I	R
				(A)	(B)	(C)	(D)	(E)	(F)		
1	1	129A00-55600	FILTE ASSY,FO	1							
2	2	129A00-55610	BRACKET ASSY,FO FILT	1							
3	2	129A00-55800	FILTER, FUEL OIL	1							
4	1	26106-080302	BOLT, M8X 30 PLATED	2							
5	1	129900-07900	LIFTER, ENGINE	1							
6	1	129C22-55650	BRACKET, FUEL FILTER	1							
7	1	26106-080202	BOLT, M8X 20 PLATED	2							
8	1	26106-080252	BOLT, M8X 25 PLATED	1							
9	1	129C22-59040	PIPE ASSY, FUEL	1							
12	2	23080-015000	CLAMP, 15	2							
13	1	121750-59890	BAND, NYLON	1							
14	1	129677-59501	PIPE ASSY, FO RE-INJ	1							
16	2	23080-007000	CLAMP, 7	1							
17	1	129A00-59020	PIPE ASSY, FUEL	1							
20	2	23080-015000	CLAMP, 15	2							
21	1	129C00-59030	PIPE ASSY, FUEL	1							
22	2	114270-59010	CLAMP, HOSE 12	2							
25	2	129A00-91200	BAND CLIP	1							
26	1	129C22-59030	PIPE ASSY, FO RETURN	1							
27	2	114270-59010	CLAMP, HOSE 12	2							

Fig.15. STARTER MOTOR

(A)=4TNV88C-KFW  
(B)=  
(C)=

(D)=  
(E)=  
(F)=

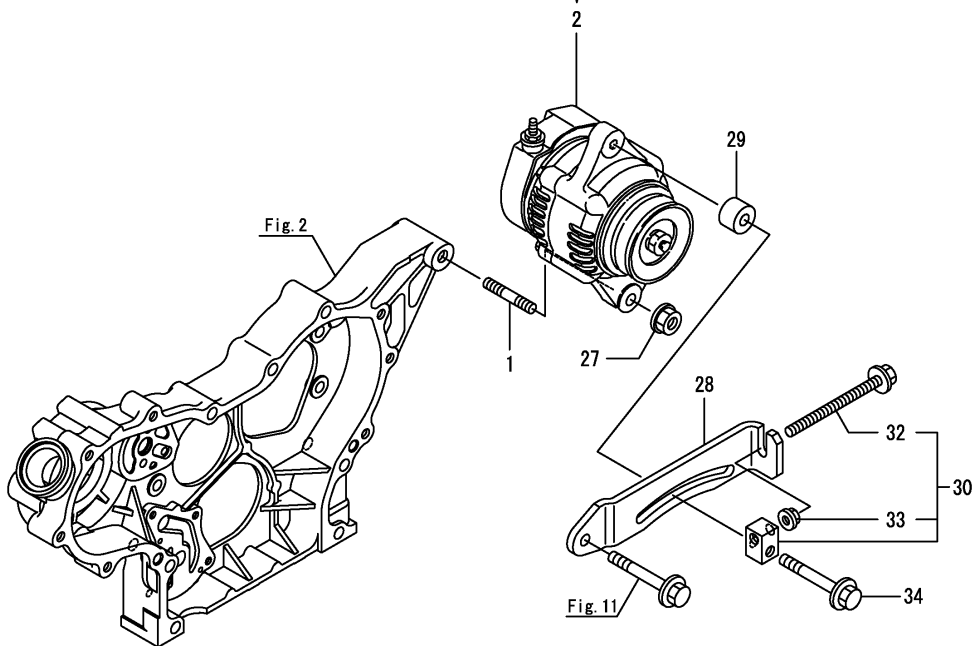
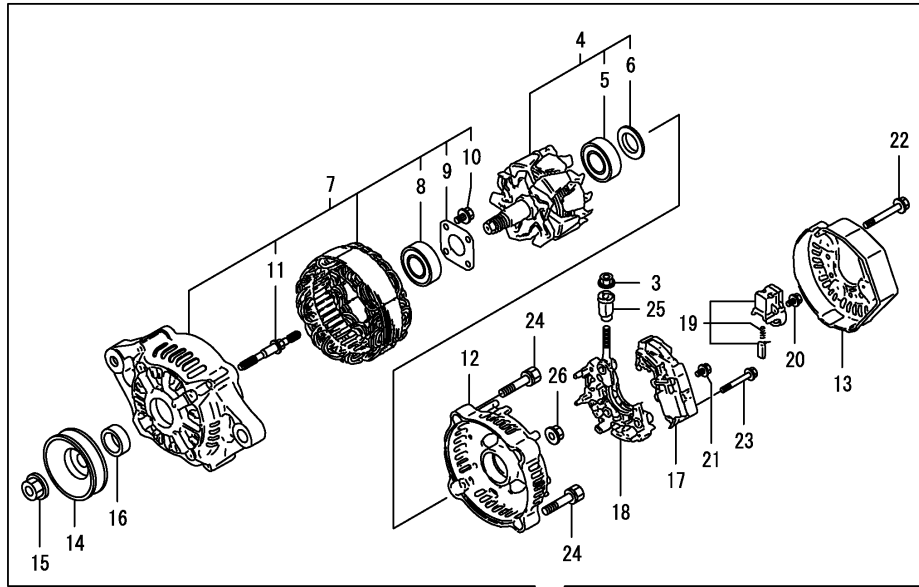


No.	Lev.	Parts No.	Description	Q'ty						I	R
				(A)	(B)	(C)	(D)	(E)	(F)		
1	1	129242-77010	STARTER ASSY	1							
2	2	129698-77020	SWITCH ASSY, MAGNET	1							
3	2	129242-77100	ARMATURE ASSY	1							
4	2	129242-77110	YOKE ASSY	1							
5	2	129242-77120	HOLDER ASSY, BRUSH	1							
6	3	129242-77130	BRUSH	2							
7	3	129242-77140	BRUSH SET	1							
8	3	129242-77150	SPRING, BRUSH	4							
9	2	129242-77160	COVER ASSY	1							
10	3	129242-77170	BEARING, COVER	1							
11	2	118400-77170	GEAR, PLANETARY	3							
12	2	129242-77180	BRACKET, CENTER	1							
13	3	129698-77190	BRACKET, CENTER	1							
14	2	129698-77200	GEAR, INTERNAL	1							
15	2	129242-77210	BRACKET, CENTER	1							
16	2	129698-77220	PINION ASSY	1							
17	2	129698-77230	SHAFT, PINION	1							
18	2	129698-77250	WASHER SET	1							
19	2	129242-77260	CASE ASSY, GEAR	1							
20	3	X2114535200	BEARING, STARTER	1							
21	2	129242-77270	LEVER SET	1							
22	2	129242-77280	COVER KIT, DUST	1							
23	2	124195-77770	BOLT, THROUGH	2							
24	1	26106-120252	BOLT, M12X 25 PLATED	2							

Fig.16. GENERATOR

(A)=4TNV88C-KFW  
(B)=  
(C)=

(D)=  
(E)=  
(F)=



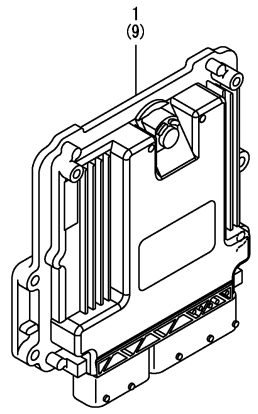
No.	Lev.	Parts No.	Description	Q'ty						I	R
				(A)	(B)	(C)	(D)	(E)	(F)		
1	1	129795-01900	BOLT, STUD M10X33	1							
2	1	129052-77220	GENERATOR ASSY, 55A	1							
3	2	X9490561001	NUT	1							
4	2	129052-77380	ROTOR ASSY	1							
5	3	123501-79240	BEARING, BALL	1							
6	3	119620-79250	COVER, BEARING	1							
7	2	129052-77422	FRAME ASSY	1							
8	3	119620-79200	BEARING, BALL	1							
9	3	119620-79210	RETAINER	1							
10	3	119620-79220	SCREW	4							
11	3	119620-79230	BOLT, STUD	2							
12	2	128401-77440	FRAME	1							
13	2	128401-77450	COVER, GENERATOR	1							
14	2	119620-77461	PULLEY, GENERATOR	1							
15	2	119620-77471	NUT	1							
16	2	119620-77490	COLLAR	1							
17	2	119620-77710	REGULATOR ASSY	1							
18	2	129052-79260	HOLDER	1							
19	2	129052-79270	HOLDER, BRUSH	1							
20	2	119620-79290	SCREW	6							
21	2	119620-79300	SCREW	1							
22	2	119620-79310	BOLT	3							
23	2	119620-79320	SCREW	2							
24	2	119620-79330	BOLT	2							
25	2	119620-79340	BUSH, INSULATION	1							
26	2	119620-79350	NUT	2							
27	1	26306-100002	NUT, M10	1							
28	1	129938-77300	ADJUSTER, BELT	1							
29	1	119668-77340	SPACER	1							
30	1	119624-77351	BLOCK ASSY, ADJUSTER	1							
32	2	26106-081004	BOLT, M8X100 PLATED	1							
33	2	26306-080002	NUT, M8	1							
34	1	26106-080602	BOLT, M8X 60 PLATED	1							

Fig.17. ELECTRONIC CONTROL UNIT(ECU)

(A)=4TNV88C-KFW  
(B)=  
(C)=

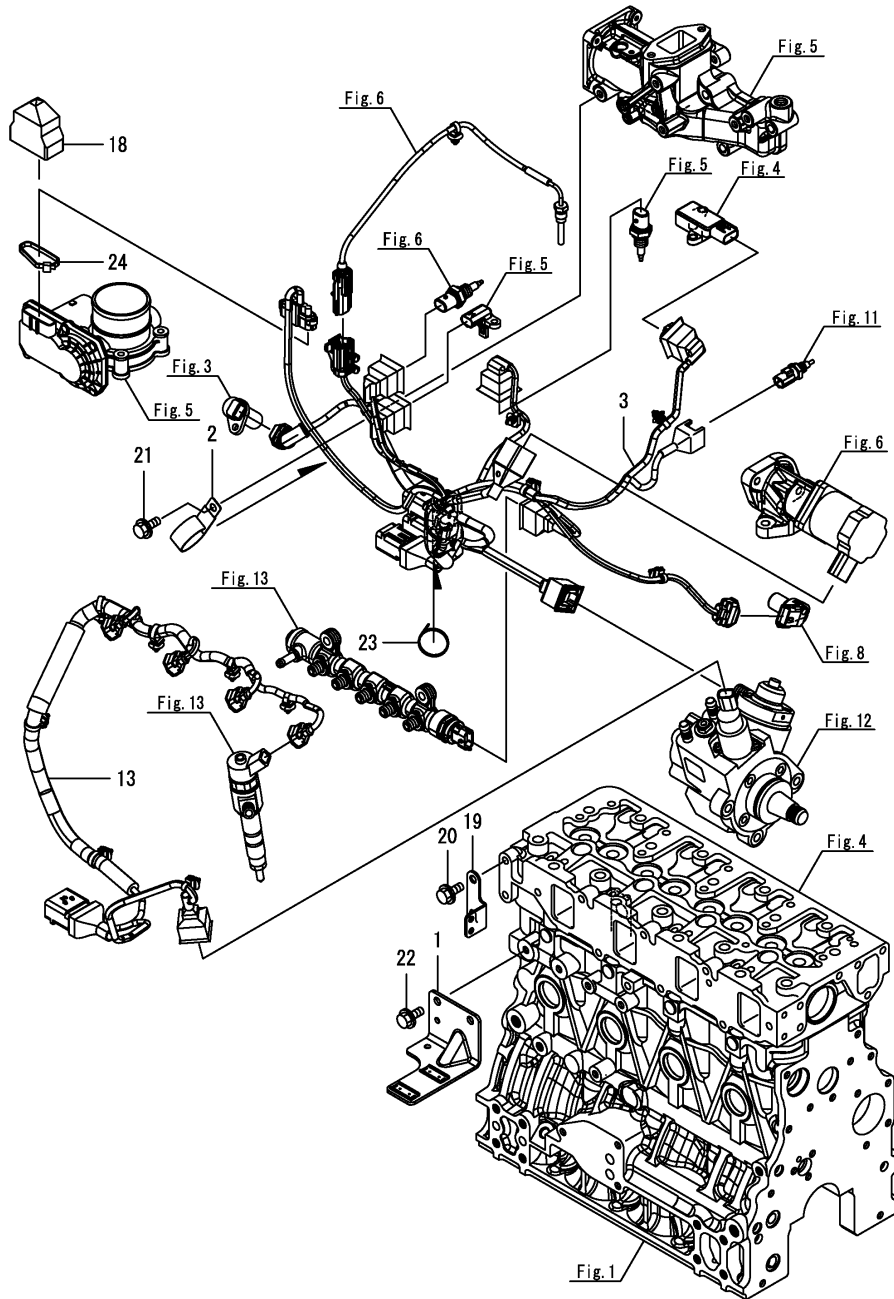
(D)=  
(E)=  
(F)=

No.	Lev.	Parts No.	Description	Q'ty						I	R
				(A)	(B)	(C)	(D)	(E)	(F)		
1	1	129C22-75041	ECU ASSY,4-88C-KFW	1							1
9	1	129A00-75910	ECU ASSY,SERVICE YMR	1							2



Remarks  
 (1)Eco ECU  
 This part cannot be ordered.  
 Replace the part using a Service ECU with the proper engine information installed.  
 (2)Service ECU  
 When replacing this part, it is necessary to update the software of the ECU using the designated service tool.  
 Please refer to the Service Manual for details.

Fig.18. ELECTRIC PARTS



(A)=4TNV88C-KFW  
(B)=  
(C)=

(D)=  
(E)=  
(F)=

No.	Lev.	Parts No.	Description	Qty						I	R
				(A)	(B)	(C)	(D)	(E)	(F)		
1	1	129A00-77930	BRACKET,CONNECTOR	1							
2	1	129928-79700	CLAMP, 150-M8	1							
3	1	129C00-91223	HARNESS,B ECO ENGINE	1							
13	1	129C00-91232	HARNESS C,ECO ENGINE	1							
18	1	129A00-91451	BOOT,CAP TYPE	1							
19	1	129A00-91600	BRACKET, HARNESS	1							
20	1	26106-080122	BOLT, M8X 12 PLATED	2							
21	1	26106-080122	BOLT, M8X 12 PLATED	1							
22	1	26106-080122	BOLT, M8X 12 PLATED	2							
23	1	29621-100000	BAND, TR100	1							
24	1	29621-200000	BAND	1							

Fig.19. GASKET SET

(A)=4TNV88C-KFW

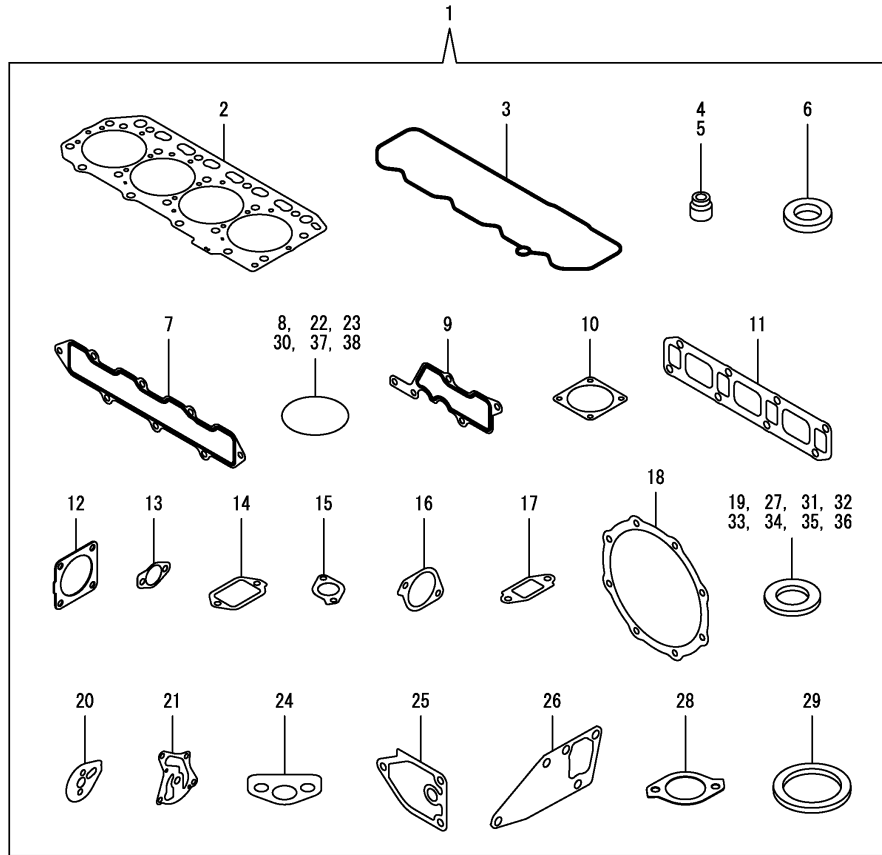
(B)=

(C)=

(D)=

(E)=

(F)=



No.	Lev.	Parts No.	Description	Q'ty						I	R
				(A)	(B)	(C)	(D)	(E)	(F)		
1	1	129C20-92600	GASKET SET	1							1
2	2	129685-01350	GASKET, HEAD	1							
3	2	129C00-11310	GASKET, COVER	1							
4	2	124460-11340	SEAL, VALVE STEM	4							
5	2	129A00-11340	SEAL, VALVE STEM	4							
6	2	129978-11871	GASKET, INJECTOR	4							
7	2	129C00-12110	GASKET, INT MANIFOLD	1							
8	2	129A00-12790	O-RING, TEMP SENSOR	1							
9	2	129A00-12810	GASKET, COLLECTOR	1							
10	2	129A00-12910	GASKET, THROTTLE	2							
11	2	129C00-13110	GASKET, EXH MANIFOLD	1							
12	2	129930-13201	GASKET, SILENCER	1							
13	2	129A00-13410	GASKET, EGR COOLER	2							
14	2	129A00-13720	GASKET(EGR-V SPACER	1							
15	2	129927-13810	GASKET	1							
16	2	129A00-13910	GASKET, EGR-V IN	1							
17	2	129A00-13920	GASKET(EGR-V OUT	1							
18	2	129A00-16600	GASKET, DPF	2							
19	2	129A00-17311	GASKET, SENSOR	4							
20	2	129A00-25210	GASKET, IDLE SHAFT B	1							
21	2	129486-32020	GASKET, PUMP	1							
22	2	119609-32040	O-RING, P16	2							
23	2	119624-32040	O-RING, P12.0	1							
24	2	129150-35042	GASKET	1							
25	2	129150-35111	GASKET	1							
26	2	129486-42050	GASKET, WATER PUMP	1							
27	2	124465-44950	GASKET, 16	2							
28	2	129795-49551	GASKET	1							
29	2	129150-49811	GASKET, THERMOSTAT	1							
30	2	129A00-51900	O-RING, FUEL PUMP	1							
31	2	22190-080002	WASHER, SEAL 8	1							
32	2	22190-120002	WASHER, SEAL 12	1							
33	2	22190-140002	WASHER, SEAL 14	2							
34	2	22190-220002	WASHER, SEAL 22	1							
35	2	23414-080000	GASKET, 8X1.0	1							
36	2	23414-120000	GASKET, 12X1.0	2							
37	2	24311-000120	O-RING, 1AP12.0	3							
38	2	24311-000320	O-RING, 1AP32.0	2							

Remarks

(1)Optional parts.

N:Old  $\xrightarrow{\text{Yes}}$  New, Q:Old  $\xrightarrow{\text{No}}$  New, R:Old  $\xrightarrow{\text{Yes}}$  New, S:Old  $\xrightarrow{\text{No}}$  New, W:Add, Z:Discontinued, F:Interchangeable by set, K:Q'ty Change

## Parts No. Index

Parts No.	Fig. No.	Ref. No.
114250-39450	10	42
114270-59010	14	22
		27
118400-77170	15	11
119131-18320	6	8
119609-32040	2	5
	19	22
119620-01750	3	3
119620-77461	16	14
119620-77471	16	15
119620-77490	16	16
119620-77710	16	17
119620-79200	16	8
119620-79210	16	9
119620-79220	16	10
119620-79230	16	11
119620-79250	16	6
119620-79290	16	20
119620-79300	16	21
119620-79310	16	22
119620-79320	16	23
119620-79330	16	24
119620-79340	16	25
119620-79350	16	26
119624-32040	2	6
	19	23
119624-77351	16	30
119640-01640	3	8
119640-61400	4	53
119660-01570	5	11
119668-77340	16	29
119802-11260	4	4
119802-11270	4	5
119802-21660	9	8
119802-25071	8	28
119803-21200	9	4
119803-77830	4	61
119865-21600	9	14
119934-01800	2	11
119940-59130	10	37
120130-11860	4	64
120270-54410	4	31
121111-21501	9	11
121520-34810	10	16
121550-23200	9	30
121750-59890	14	13
121850-21680	9	10
122780-59100	13	11
123501-79240	16	5
123907-03100	4	41

Parts No.	Fig. No.	Ref. No.
123907-03110	4	42
123907-03120	4	43
123907-03140	4	44
124060-01050	1	11
124160-01751	2	3
	4	36
124160-01910	1	12
		13
124160-11360	4	37
124195-77770	15	23
124240-01871	2	12
124460-11340	4	25
	19	4
124465-44950	19	27
128401-77440	16	12
128401-77450	16	13
129001-01250	1	4
129001-02931	1	29
129004-03010	4	39
129004-11650	4	7
129004-34802	10	15
129005-03080	5	1
129005-11100	4	21
129006-35100	10	23
129006-44480	10	29
129008-77800	4	62
129030-44760	11	26
129052-77220	16	2
129052-77380	16	4
129052-77422	16	7
129052-79260	16	18
129052-79270	16	19
129054-42320	11	10
129055-49300	11	11
129100-01580	2	2
	3	1
		15
	9	2
129100-11112	4	22
129100-23910	9	33
129150-01200	1	27
129150-02020	1	6
129150-02450	8	4
129150-02871	1	32
129150-02931	1	24
129150-02941	1	35
129150-03070	4	40
129150-11230	4	8
129150-11280	4	6
129150-11370	4	12

Parts No.	Fig. No.	Ref. No.
129150-11750	4	10
129150-11810	4	65
129150-14200	8	1
129150-14400	8	2
129150-23601	9	31
129150-23611	9	34
129150-35042	10	17
	19	24
129150-35111	10	26
	19	25
129150-35170	10	44
129150-42059	11	3
129150-42301	11	8
129150-49811	11	29
	19	29
129155-49801	11	28
129202-22300	9	24
129240-35800	10	28
129242-77010	15	1
129242-77100	15	3
129242-77110	15	4
129242-77120	15	5
129242-77130	15	6
129242-77140	15	7
129242-77150	15	8
129242-77160	15	9
129242-77170	15	10
129242-77180	15	12
129242-77210	15	15
129242-77260	15	19
129242-77270	15	21
129242-77280	15	22
129263-42120	11	4
129350-49530	11	31
129400-01730	3	6
129410-03990	5	2
129417-33111	10	22
129417-35150	10	25
129418-18320	6	21
129436-01780	3	7
129436-35070	10	18
129486-01670	3	19
129486-32020	10	13
	19	21
129486-42050	11	18
	19	26
129508-33031	10	20
129508-33060	10	21
129508-49030	10	30
129508-49040	10	34

Parts No.	Fig. No.	Ref. No.
129601-11241	4	1
129601-11251	4	2
129604-21000	9	1
129648-01600	3	16
129648-01780	3	18
129652-42350	11	23
129655-44740	11	25
129677-59501	14	14
129685-01350	1	28
	19	2
129698-77020	15	2
129698-77190	15	13
129698-77200	15	14
129698-77220	15	16
129698-77230	15	17
129698-77250	15	18
129795-01900	16	1
129795-01950	2	4
129795-02412	1	9
129795-11120	4	23
129795-11180	4	24
129795-21661	9	9
129795-49551	11	30
	19	28
129900-07900	4	59
	14	5
129916-49740	11	13
129927-13810	6	25
	19	15
129927-44900	11	33
129928-49420	11	12
		35
129928-79700	18	2
129930-13201	7	1
	19	12
129938-77300	16	28
129960-03990	11	38
		41
		44
129978-11871	4	29
	19	6
129978-12700	4	48
129978-17700	7	33
129A00-01500	2	1
129A00-01550	2	9
129A00-01602	3	2
129A00-11330	4	47
129A00-11340	4	26
	19	5
129A00-11900	4	30

## Parts No. Index

Parts No.	Fig. No.	Ref. No.
129A00-12711	5	12
129A00-12720	5	7
129A00-12780	4	49
129A00-12790	5	13
	19	8
129A00-12810	5	9
	19	9
129A00-12820	5	24
129A00-12830	5	14
129A00-12851	5	10
129A00-12900	5	25
129A00-12910	5	26
	19	10
129A00-13300	6	10
129A00-13350	6	12
	7	23
129A00-13360	4	50
129A00-13380	4	52
129A00-13400	6	15
129A00-13410	6	16
	19	13
129A00-13720	19	14
129A00-13751	6	23
129A00-13770	6	6
129A00-13851	6	19
129A00-13861	6	20
129A00-13910	6	29
	19	16
129A00-13920	6	30
	19	17
129A00-14100	8	6
129A00-14700	8	8
129A00-14710	8	11
129A00-16600	7	11
	19	18
129A00-16610	7	12
129A00-16700	7	14
129A00-16710	7	15
129A00-16730	7	16
129A00-16740	7	17
129A00-17300	7	24
129A00-17311	7	25
	19	19
129A00-17350	7	26
129A00-17520	7	29
129A00-17570	7	32
129A00-17650	7	30
129A00-17760	7	34
129A00-21710	3	21
129A00-22500	9	18

Parts No.	Fig. No.	Ref. No.
129A00-22950	9	38
129A00-25050	8	13
129A00-25060	8	21
129A00-25080	8	29
129A00-25110	8	14
129A00-25120	8	22
129A00-25200	8	25
129A00-25210	8	26
	19	20
129A00-25900	8	18
129A00-49610	11	36
129A00-51000	12	1
129A00-51100	12	2
129A00-51110	12	3
129A00-51120	12	4
129A00-51130	12	5
129A00-51200	12	6
129A00-51900	12	7
	19	30
129A00-53100	13	1
129A00-53200	13	4
129A00-55600	14	1
129A00-55610	14	2
129A00-55800	14	3
129A00-57100	13	7
129A00-57200	13	8
129A00-57210	13	9
129A00-59020	14	17
129A00-59110	5	15
129A00-59120	5	16
129A00-59700	13	13
129A00-59820	13	16
129A00-59830	13	18
129A00-75910	17	9
129A00-77930	18	1
129A00-91200	6	7
	7	37
	14	25
129A00-91430	7	39
129A00-91451	18	18
129A00-91600	18	19
129A01-13700	6	5
129A33-42001	11	1
129C00-01560	1	1
129C00-11310	4	46
	19	3
129C00-11360	4	38
129C00-12100	5	5
129C00-12110	5	3
	19	7

Parts No.	Fig. No.	Ref. No.
129C00-12150	5	4
129C00-13110	6	1
	19	11
129C00-13121	6	2
129C00-13800	6	24
129C00-13901	6	28
129C00-13940	7	3
129C00-13950	7	4
129C00-14580	8	3
129C00-16201	7	6
129C00-16400	7	8
129C00-16500	7	10
129C00-16801	7	18
129C00-17230	7	22
129C00-17600	7	27
129C00-21580	9	12
129C00-22080	9	16
129C00-22900	9	36
129C00-32000	10	1
129C00-49610	11	40
129C00-49620	11	43
129C00-49700	11	47
129C00-57000	13	6
129C00-59030	14	21
129C00-59810	13	15
129C00-59820	13	17
129C00-77820	4	63
129C00-91200	7	38
129C00-91223	18	3
129C00-91232	18	13
129C01-16690	7	13
129C20-11700	4	13
129C20-92600	19	1
129C22-16020	7	5
129C22-55650	14	6
129C22-59030	14	26
129C22-59040	14	9
129C22-75041	17	1
129E00-13620	6	18
129F01-13600	6	17
129F01-13620	6	3
129F01-13630	6	4
171008-03990	10	31
		35
171051-01921	1	5
171056-49120	10	43
22190-080002	2	13
	19	31
22190-120002	11	34
	19	32

Parts No.	Fig. No.	Ref. No.
22190-140002	5	17
	19	33
22190-220002	3	10
	19	34
22217-180000	8	19
22252-000260	9	25
22351-030010	9	7
22351-060012	4	32
22512-070140	8	7
	9	5
22857-500100	4	54
		55
23065-120500	10	39
23080-007000	14	16
23080-014000	10	40
23080-015000	10	33
		38
	14	12
		20
23297-080061	6	11
23414-080000	11	19
	19	35
23414-120000	6	13
	19	36
24311-000120	4	57
	19	37
24311-000320	2	7
	4	58
	19	38
24358-240310	11	14
25152-004200	11	24
26106-060102	8	9
26106-060122	6	14
26106-060162	7	35
26106-060202	5	27
	11	15
26106-060402	5	28
26106-060502	11	27
26106-060902	5	29
26106-080122	11	20
	18	20
		21
		22
26106-080142	7	19
	8	10
26106-080162	2	8
		14
	3	11
	4	60
	11	48



## Parts No. Index

Parts No.	Fig. No.	Ref. No.
26106-080202	7	36
	10	41
	14	7
26106-080222	7	20
	11	32
26106-080252	3	12
	4	33
	6	26
	13	10
	14	8
26106-080302	12	8
26106-080352	14	4
	2	15
26106-080402	3	20
	4	34
	2	16
26106-080452	8	27
	3	13
	8	17
26106-080502	3	14
	4	35
	5	8
		20
	6	22
26106-080552	10	19
	11	21
26106-080602	2	17
	11	22
	16	34
26106-080752	5	21
26106-080852	2	18
26106-081004	16	32
26106-100202	7	40
26106-120252	15	24
26116-060162	11	16
26206-100252	3	4
26206-100302	3	5
26216-060202	5	6
26216-080302	5	18
26216-081052	5	22
26226-080182	4	11
26306-080002	5	23
	6	27
		31
	7	21
		41
	16	33
26306-100002	6	9
	16	27
26366-060002	13	19

Parts No.	Fig. No.	Ref. No.
26450-060162	3	22
	4	56
	8	12
26450-060252	10	14
26577-060162	11	17
26716-060002	5	19
26776-180002	8	20
27241-120000	1	14
27241-300000	1	10
27241-400000	4	20
27310-080001	4	27
29621-100000	18	23
29621-200000	18	24
729402-23100	9	26
X2114535200	15	20
X9490561001	16	3

Parts No.	Fig. No.	Ref. No.
-----------	----------	----------

Parts No.	Fig. No.	Ref. No.
-----------	----------	----------