

0CB50-M00120EN

# Contents

OCB50-M00120

Fig. No.    Fig. Name

Fig. No.    Fig. Name

## ENGINE

1. CYLINDER BLOCK
2. GEAR HOUSING
3. FLYWHEEL HOUSING & OIL SUMP
4. CYLINDER HEAD & BONNET
5. SUCTION MANIFOLD
6. EXHAUST MANIFOLD
7. DIESEL PARTICULATE FILTER(DPF)
8. CAMSHAFT & DRIVING GEAR
9. CRANKSHAFT & PISTON
10. LUB. OIL SYSTEM
11. COOLING WATER SYSTEM
12. FUEL SUPPLY PUMP
13. FUEL INJECTION VALVE
14. FUEL PIPE
15. STARTER MOTOR
16. GENERATOR
17. ELECTRONIC CONTROL UNIT(ECU)
18. ELECTRIC PARTS
19. GASKET SET

Fig.1. CYLINDER BLOCK

(A)=4TNV88C-NKAH

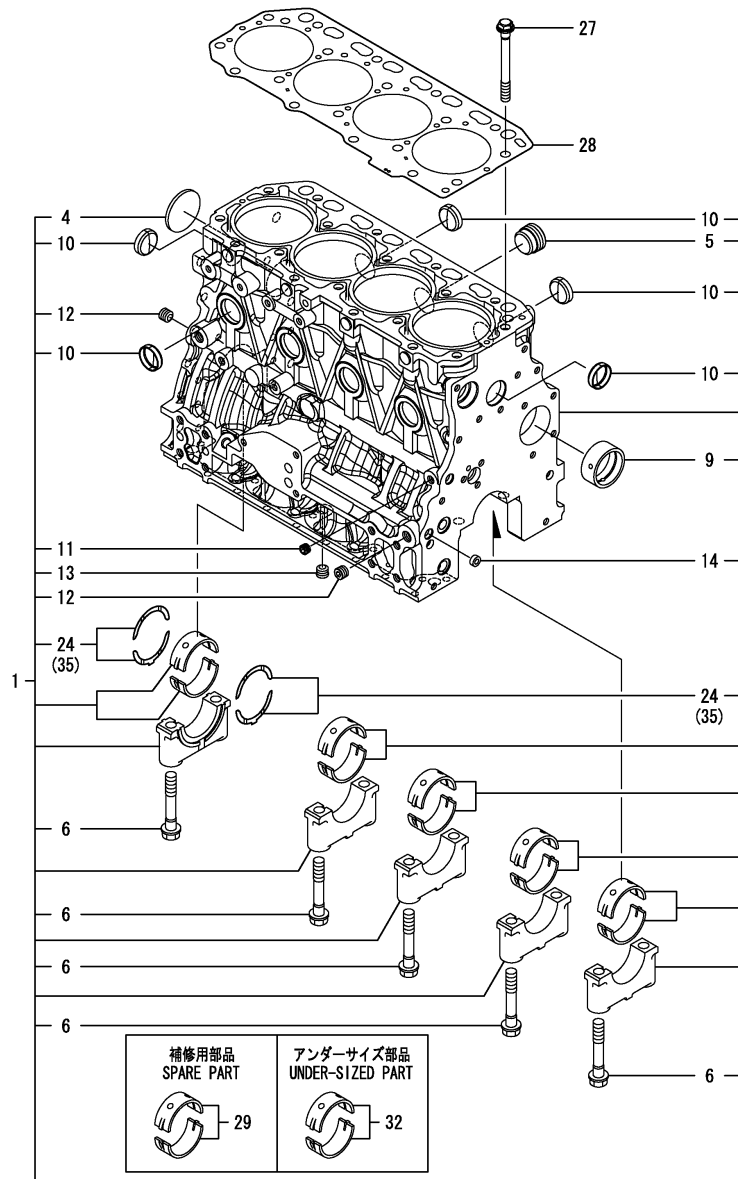
(B)=

(C)=

(D)=

(E)=

(F)=



No.	Lev.	Parts No.	Description	Q'ty						I	R
				(A)	(B)	(C)	(D)	(E)	(F)		
1	1	129C00-01560	BLOCK ASSY, CYLINDER	1							
4	2	129001-01250	PLUG, DISH TYPE 50	1							
5	2	171051-01921	PLUG, NPTF1	1							
6	2	129150-02020	BOLT, METAL CAP	10							
9	2	129795-02412	BUSH, CAMSHAFT	1							
10	2	27241-300000	PLUG 30	8							
11	2	124060-01050	PLUG, PT1/8	1							
12	2	124160-01910	PLUG, PT1/4	2							
13	2	124160-01910	PLUG, PT1/4	1							
14	2	27241-120000	PLUG, 12	1							
24	2	129150-02931	BEARING ASSY, THRUST	2							
27	1	129150-01200	BOLT, CYLINDER HEAD	18							
28	1	129685-01350	GASKET, HEAD	1							
29	1	129001-02931	BEARING ASSY, MAIN	5							1
32	1	129150-02871	BEARING ASSY, MAIN	5							2
35	1	129150-02941	BEARING, THRUST 0.25	1							3

Remarks

- (1) Spare parts.
- (2) Under-sized (U.S.=0.25) parts.
- (3) Over-sized (O.S.=0.25) parts.

Fig.2. GEAR HOUSING

(A)=4TNV88C-NKAH

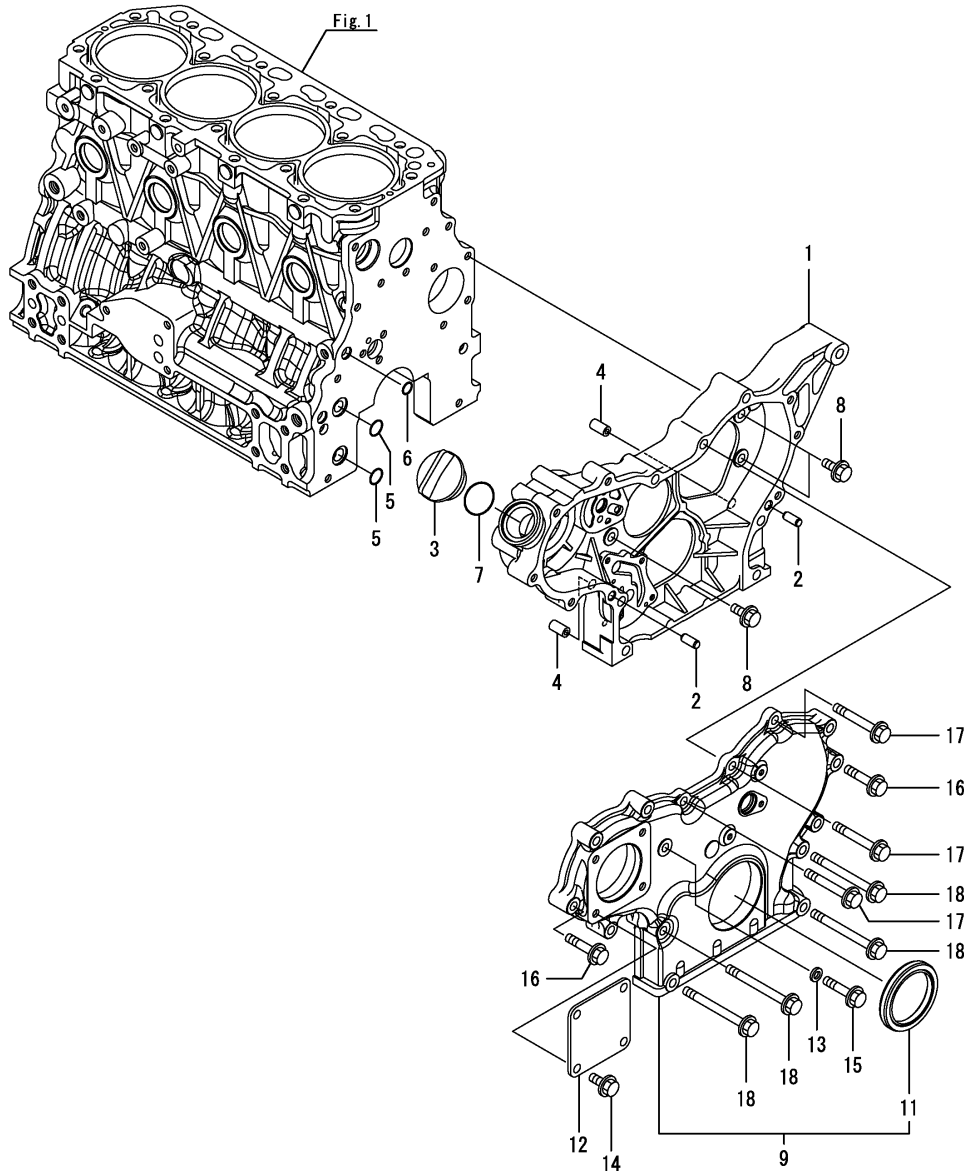
(B)=

(C)=

(D)=

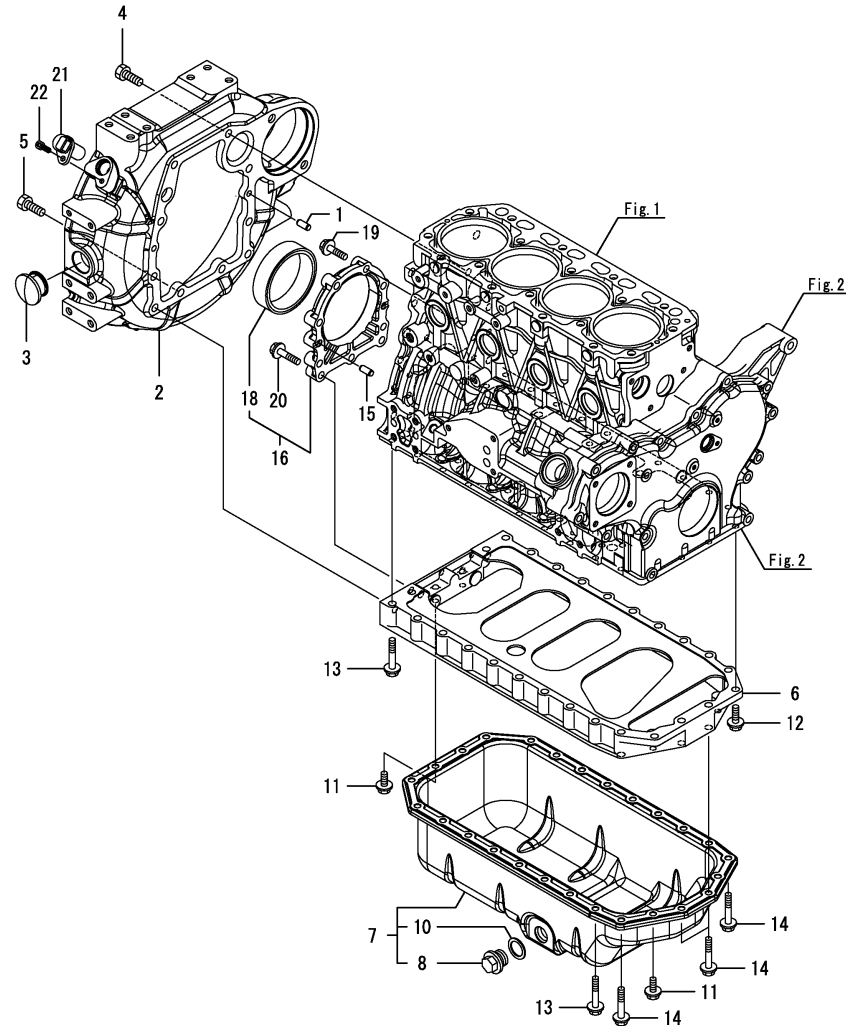
(E)=

(F)=



No.	Lev.	Parts No.	Description	Q'ty						I	R
				(A)	(B)	(C)	(D)	(E)	(F)		
1	1	129A23-01500	CASE, GEAR	1							
2	1	129100-01580	PIN, PARALLEL 8X16	2							
3	1	124160-01751	CAP, FILLER	1							
4	1	129795-01950	PIPE, DOWEL L=18	2							
5	1	119609-32040	O-RING, P16	2							
6	1	119624-32040	O-RING, P12.0	1							
7	1	24311-000320	O-RING, 1AP32.0	1							
8	1	26106-080162	BOLT, M8X 16 PLATED	3							
9	1	129A00-01550	COVER ASSY, GEARCASE	1							
11	2	119934-01800	SEAL, OIL	1							
12	1	124240-01871	COVER, PUMP	1							
13	1	22190-080002	WASHER, SEAL 8	1							
14	1	26106-080162	BOLT, M8X 16 PLATED	4							
15	1	26106-080352	BOLT, M8X 35 PLATED	1							
16	1	26106-080402	BOLT, M8X 40 PLATED	7							
17	1	26106-080602	BOLT, M8X 60 PLATED	3							
18	1	26106-080852	BOLT, M8X 85 PLATED	4							

Fig.3. FLYWHEEL HOUSING & OIL SUMP



(A)=4TNV88C-NKAH  
(B)=  
(C)=

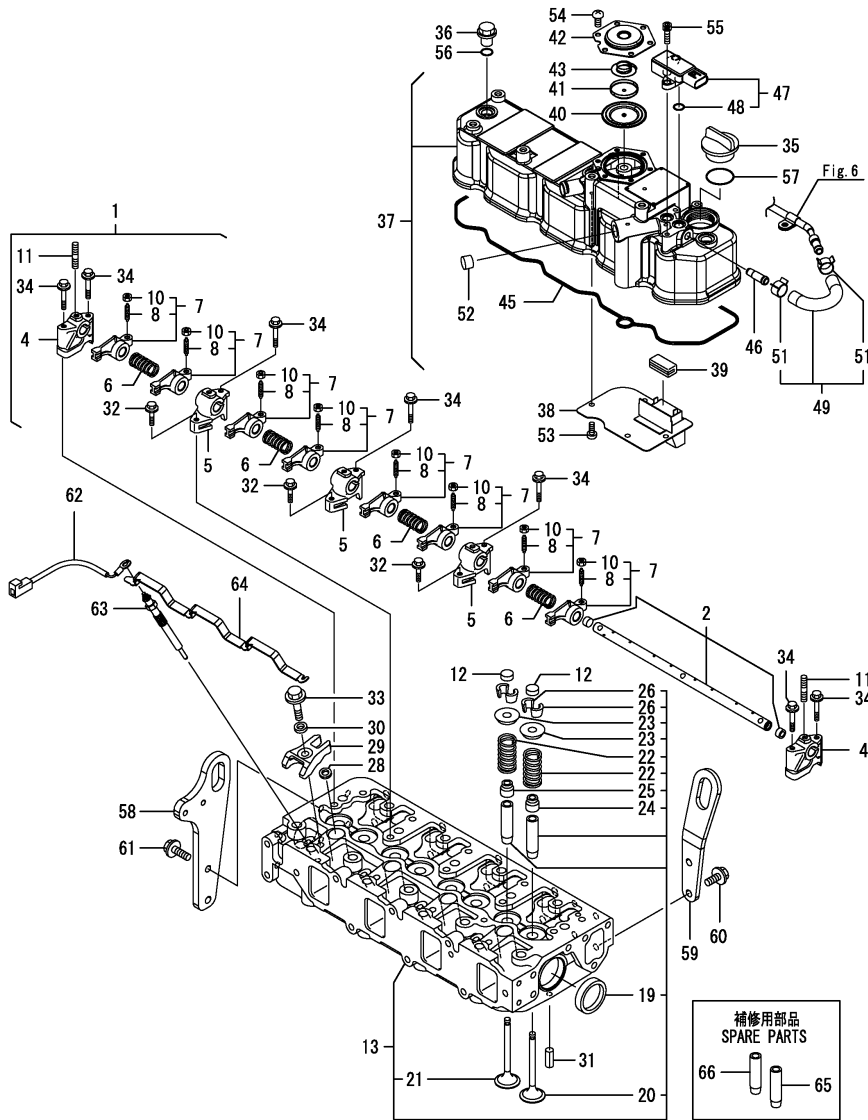
(D)=  
(E)=  
(F)=

No.	Lev.	Parts No.	Description	Q'ty						I	R
				(A)	(B)	(C)	(D)	(E)	(F)		
1	1	129100-01580	PIN, PARALLEL 8X16	2							
2	1	129A00-01602	HOUSING, FLYWHEEL	1							
3	1	119620-01750	CAP	1							
4	1	26206-100252	BOLT, M10X 25 PLATED	6							
5	1	26206-100302	BOLT, M10X 30 PLATED	4							
6	1	129400-01730	SPACER, OIL-PAN	1							
7	1	129688-01780	OIL PAN ASSY, DEEP	1							
8	2	119640-01640	PLUG, DRAIN M22	1							
10	2	22190-220002	WASHER, SEAL 22	1							
11	1	26106-080162	BOLT, M8X 16 PLATED	4							
12	1	26106-080252	BOLT, M8X 25 PLATED	2							
13	1	26106-080452	BOLT, M8X 45 PLATED	20							
14	1	26106-080502	BOLT, M8X 50 PLATED	4							
15	1	129100-01580	PIN, PARALLEL 8X16	2							
16	1	129648-01600	CASE ASSY, OIL SEAL	1							
18	2	129648-01780	SEAL, OIL	1							
19	1	129486-01670	BOLT, M8X30	6							
20	1	26106-080352	BOLT, M8X 35 PLATED	3							
21	1	129A00-21710	SENSOR, FLYWHEEL REV	1							1
22	1	26450-060162	BOLT, M6X 16	1							

Remarks

(1)When replacing this part, it is necessary to update the software of the ECU using the designated service tool. Please refer to the Service Manual for details.

Fig.4. CYLINDER HEAD & BONNET



(A)=4TNV88C-NKAH  
(B)=  
(C)=

(D)=  
(E)=  
(F)=

No.	Lev.	Parts No.	Description	Q'ty						I	R
				(A)	(B)	(C)	(D)	(E)	(F)		
1	1	129601-11241	SHAFT ASSY, ROCKER	1							
2	2	129601-11251	SHAFT, ROCKER ARM	1							
4	2	119802-11260	SUPPORT, ROCKER ARM	2							
5	2	119802-11270	SUPPORT, ROCKER ARM	3							
6	2	129150-11280	SPRING, ROCKER	4							
7	2	129004-11650	ARM ASSY, ROCKER	8							
8	3	129150-11230	SCREW, VALVE ADJUST	8							
10	3	129150-11750	NUT, M8	8							
11	2	26226-080182	STUD, M8X 18	3							
12	1	129150-11370	CAP, VALVE	8							
13	1	129C00-11710	HEAD ASSY, CYLINDER	1							
19	2	27241-400000	PLUG, 40	2							
20	2	129005-11100	VALVE, SUCTION	4							
21	2	129100-11112	VALVE, EXHAUST	4							
22	2	129795-11120	SPRING, VALVE	8							
23	2	129795-11180	RETAINER, SPRING	8							
24	2	124460-11340	SEAL, VALVE STEM	4							
25	2	129A00-11340	SEAL, VALVE STEM	4							
26	2	27310-080001	COTTER, 8	8							
28	1	129978-11871	GASKET,INJECTOR	4							
29	1	129A00-11900	RETAINER, INJECTOR	4							
30	1	120270-54410	WASHER, INJECTOR	4							
31	1	22351-060012	PIN, SPRING 6.0X12	2							
32	1	26106-080252	BOLT, M8X 25 PLATED	3							
33	1	26106-080352	BOLT, M8X 35 PLATED	4							
34	1	26106-080502	BOLT, M8X 50 PLATED	7							
35	1	124160-01751	CAP, FILLER	1							
36	1	124160-11360	KNOB	3							
37	1	129C00-11360	BONNET ASSY	1							
38	2	129004-03010	PLATE, BAFFLE	1							
39	2	129150-03070	BAFFLE, BREATHER	1							
40	2	123907-03100	DIAPHRAGM	1							
41	2	123907-03110	PLATE	1							
42	2	123907-03120	PLATE, BREATHER	1							
43	2	123907-03140	SPRING, DIAPHRAGM	1							
45	2	129C00-11310	GASKET, COVER	1							
46	2	129A00-11330	JOINT	1							
47	2	129978-12700	SENSOR,PRESSURE	1							1
48	3	129A00-12780	O-RING,PRES SENSOR	1							
49	2	129A00-13360	HOSE ASSY, PRES EXH	1							
51	3	129A00-13380	CLIP, HOSE 14	2							
52	2	119640-61400	PLUG	1							
53	2	22857-500100	SCREW, 5X10	4							
54	2	22857-500100	SCREW, 5X10	6							
55	2	26450-060162	BOLT, M6X 16	2							
56	1	24311-000120	O-RING, 1AP12.0	3							
57	1	24311-000320	O-RING, 1AP32.0	1							
58	1	129C22-07900	LIFTER	1							
59	1	129930-07910	LIFTER, ENGINE	1							
60	1	26106-080162	BOLT, M8X 16 PLATED	2							
61	1	26106-080202	BOLT, M8X 20 PLATED	2							

Remarks

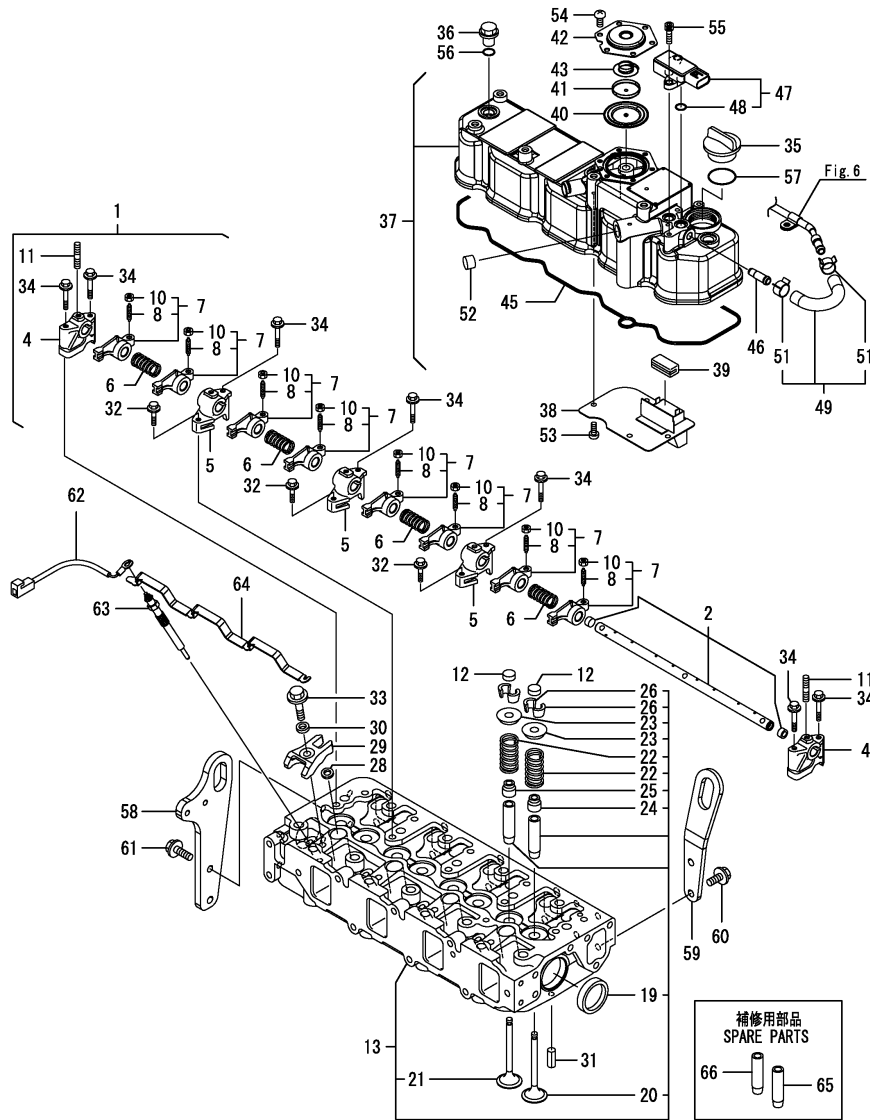
(1)When replacing this part, it is necessary to update the software of the ECU using the designated service tool. Please refer to the Service Manual for details.

(2)Spare parts.

N:Old  $\xrightarrow{\text{Yes}}$  New, Q:Old  $\xrightarrow{\text{No}}$  New, R:Old  $\xrightarrow{\text{Yes}}$  New, S:Old  $\xrightarrow{\text{No}}$  New, W:Add, Z:Discontinued, F:Interchangeable by set, K:Q'ty Change

++ CONTINUE ++

Fig.4. CYLINDER HEAD & BONNET



(A)=4TNV88C-NKAH  
(B)=  
(C)=

(D)=  
(E)=  
(F)=

No.	Lev.	Parts No.	Description	Q'ty						I	R
				(A)	(B)	(C)	(D)	(E)	(F)		
62	1	119803-77830	HARNES, WIRE	1							
63	1	129008-77800	PLUG, GLOW	4							
64	1	129C00-77820	CONNECTOR, GLOW PLUG	1							
65	1	120130-11860	GUIDE, VALVE	4							2
66	1	129150-11810	GUIDE, VALVE	4							2

Remarks

- (1)When replacing this part, it is necessary to update the software of the ECU using the designated service tool. Please refer to the Service Manual for details.
- (2)Spare parts.

Fig.5. SUCTION MANIFOLD

(A)=4TNV88C-NKAH

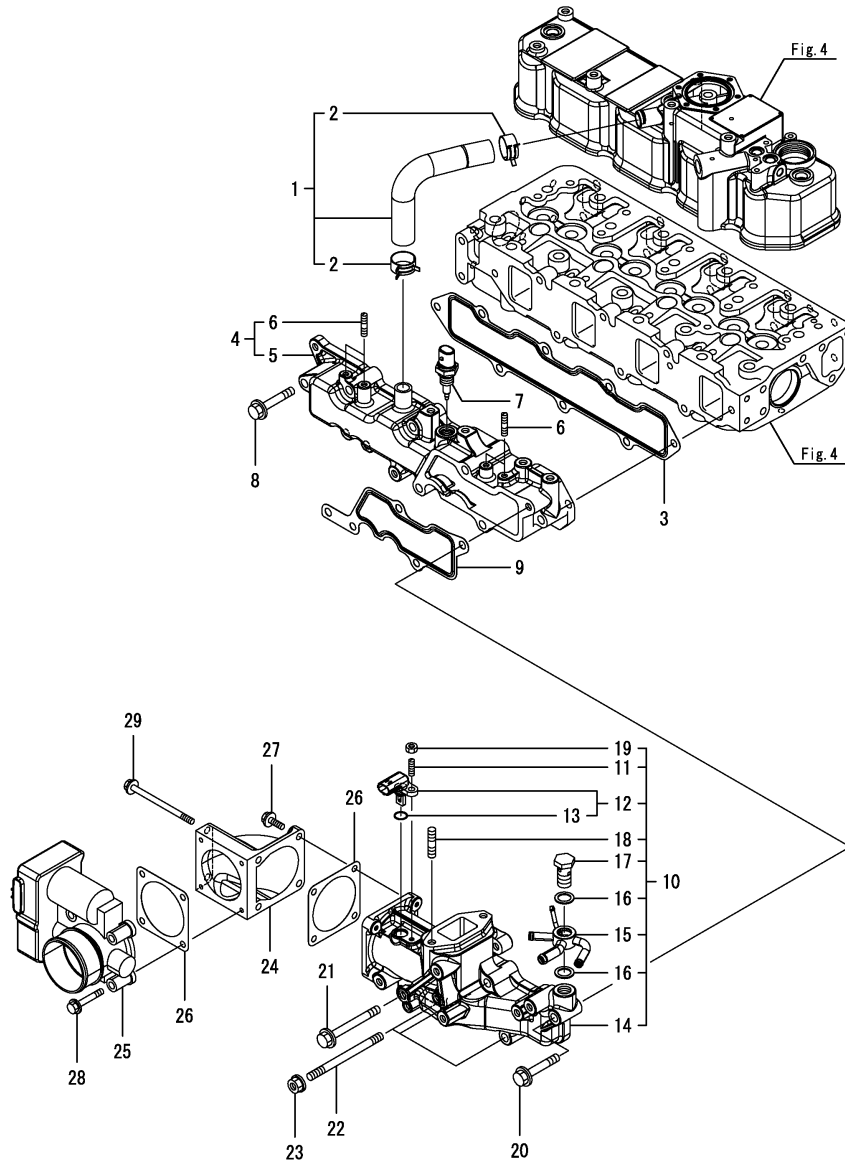
(B)=

(C)=

(D)=

(E)=

(F)=



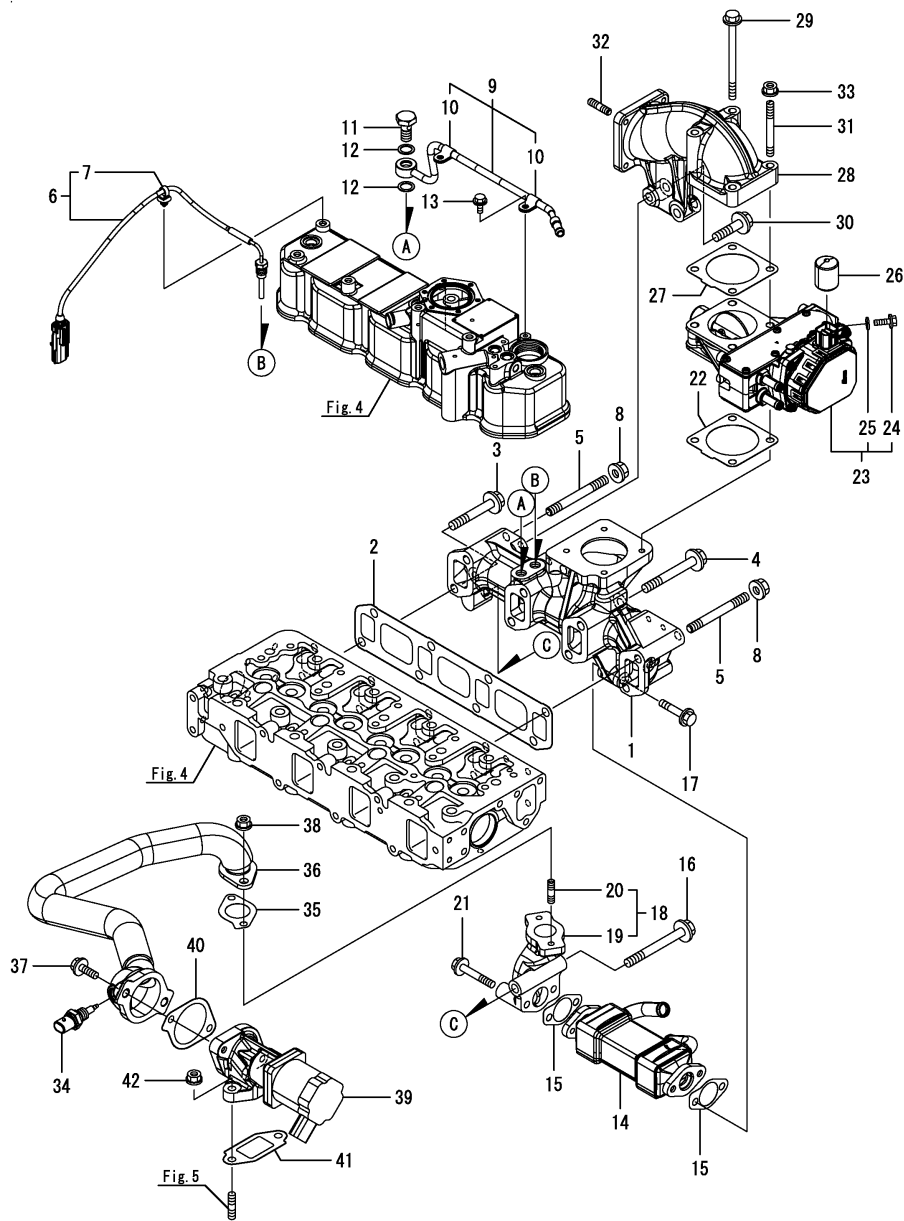
No.	Lev.	Parts No.	Description	Qty						I	R
				(A)	(B)	(C)	(D)	(E)	(F)		
1	1	129005-03080	HOSE ASSY, BREATHER	1							
2	2	129410-03990	CLAMP, HOSE 21.5	2							
3	1	129C00-12110	GASKET, INT MANIFOLD	1							
4	1	129C00-12150	MANIFOLD CMP,INTAKE	1							
5	2	129C00-12100	MANIFOLD,INT	1							
6	2	26216-060202	STUD, M6X 20	4							
7	1	129A00-12720	SENSOR,AIR TEMP	1							1
8	1	26106-080502	BOLT, M8X 50 PLATED	5							
9	1	129A00-12810	GASKET, COLLECTOR	1							
10	1	129A23-12900	COLLECTOR ASSY,INT	1							
11	2	119660-01570	BOLT, STUD M6X12	1							
12	2	129A00-12711	SENSOR,AIR TEMP	1							
13	3	129A00-12790	O-RING,TEMP SENSOR	1							
14	2	129A00-12830	COLLECTOR, INT	1							
15	2	129A23-59130	JOINT, HOSE 4-WAY	1							
16	2	22190-140002	WASHER, SEAL 14	2							
17	2	23857-080000	BOLT, JOINT 8	1							
18	2	26216-080302	STUD, M8X 30	2							
19	2	26716-060002	NUT, M6	1							
20	1	26106-080502	BOLT, M8X 50 PLATED	1							
21	1	26106-080752	BOLT, M8X 75 PLATED	1							
22	1	26216-081052	STUD, M8X105	3							
23	1	26306-080002	NUT, M8	3							
24	1	129A00-12820	BEND, INLET	1							
25	1	129A00-12900	THROTTLE BODY(INT	1							1
26	1	129A00-12910	GASKET,THROTTLE	2							
27	1	26106-060202	BOLT, M6X 20 PLATED	2							
28	1	26106-060402	BOLT, M6X 40 PLATED	4							
29	1	26106-060902	BOLT, M6X 90 PLATED	2							

Remarks

(1)When replacing this part, it is necessary to update the software of the ECU using the designated service tool. Please refer to the Service Manual for details.



Fig.6. EXHAUST MANIFOLD



(A)=4TNV88C-NKAH  
(B)=  
(C)=

(D)=  
(E)=  
(F)=

No.	Lev.	Parts No.	Description	Q'ty						I	R
				(A)	(B)	(C)	(D)	(E)	(F)		
1	1	129C88-13100	MANIFOLD, EXHAUST	1							
2	1	129C00-13110	GASKET, EXH MANIFOLD	1							
3	1	129A01-13601	BOLT, M10X50 10.9T	1							
4	1	129F01-13630	BOLT, M10X80 10.9T	5							
5	1	129A01-13700	STUD,10X80	2							
6	1	129A00-13770	SENSOR,EXH TEMP.	1							1
7	2	129A00-91200	BAND CLIP	1							
8	1	26306-100002	NUT, M10	2							
9	1	129A00-13300	PIPE ASSY, EXHAUST P	1							
10	2	23297-080061	CLAMP, A8X 6	2							
11	1	129A00-13350	BOLT, PIPE JOINT	1							
12	1	23414-120000	GASKET, 12X1.0	2							
13	1	26106-060122	BOLT, M6X 12 PLATED	2							
14	1	129A00-13400	COOLER, EGR	1							
15	1	129A00-13410	GASKET, EGR COOLER	2							
16	1	129F01-13600	BOLT, M10X90 10.9T	1							
17	1	129E00-13620	BOLT, M8X40 10.9	2							
18	1	129A00-13851	PIPE CMP, EGR OUT	1							
19	2	129A00-13861	PIPE,EGR OUT	1							
20	2	129418-18320	BOLT, STUD M8X20	2							
21	1	26106-080502	BOLT, M8X 50 PLATED	2							
22	1	129930-13201	GASKET, SILENCER	1							
23	1	129C00-13501	THROTTLE,EXHAUST	1							
24	2	129C00-13511	BOLT, EXH. THROTTLE	1							
25	2	129C00-13520	WASHER, EXH. THROTTL	1							
26	1	129C20-99240	CAP,CONNECTOR D24.0	1							
27	1	129930-13201	GASKET, SILENCER	1							
28	1	129C22-13350	PIPE, EXHAUST	1							
29	1	123900-13651	BOLT, M8X110 10.9T	2							
30	1	129F01-13650	BOLT, M10X40 10.9T	2							
31	1	119802-13750	STUD, M8X65	2							
32	1	119131-18320	BOLT, STUD M8X22	4							
33	1	26306-080002	NUT, M8	2							
34	1	129A00-13751	SENSOR,EGR GAS TEMP	1							1
35	1	129927-13810	GASKET	1							
36	1	129C88-13850	PIPE ASSY, EGR	1							
37	1	26106-080252	BOLT, M8X 25 PLATED	2							
38	1	26306-080002	NUT, M8	2							
39	1	129C00-13901	VALVE, EGR	1							1
40	1	129A00-13910	GASKET, EGR-V IN	1							
41	1	129A00-13920	GASKET(EGR-V OUT	1							
42	1	26306-080002	NUT, M8	2							

Remarks

(1)When replacing this part, it is necessary to update the software of the ECU using the designated service tool. Please refer to the Service Manual for details.

Fig.7. DIESEL PARTICULATE FILTER(DPF)

(A)=4TNV88C-NKAH

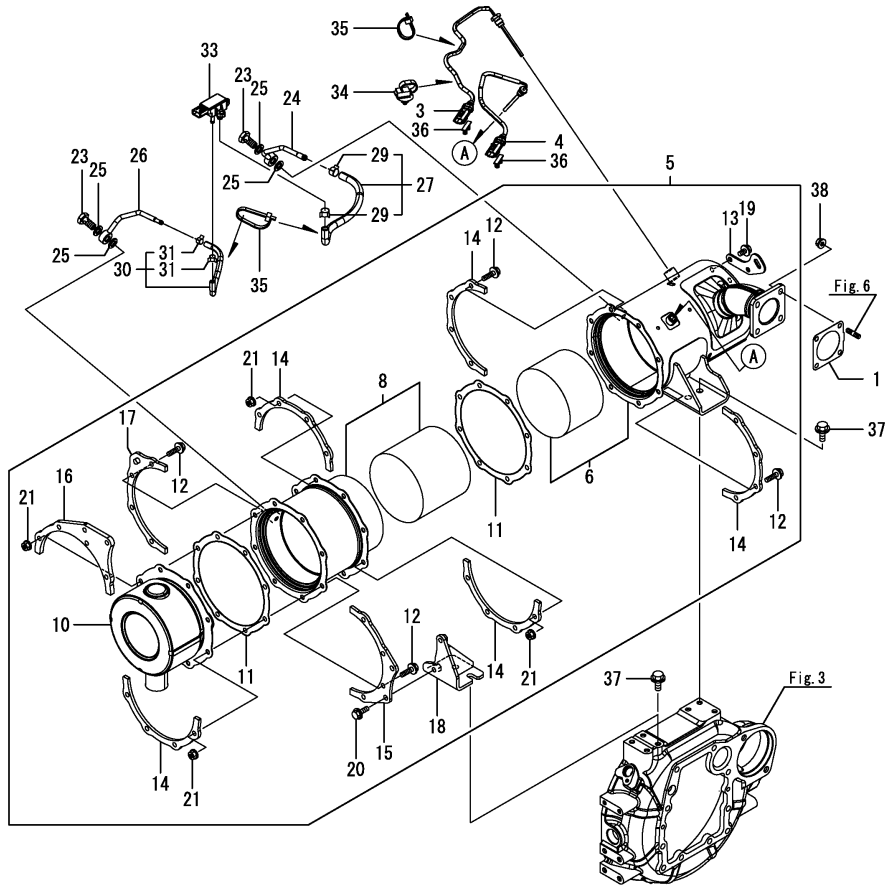
(B)=

(C)=

(D)=

(E)=

(F)=



No.	Lev.	Parts No.	Description	Q'ty						I	R
				(A)	(B)	(C)	(D)	(E)	(F)		
1	1	129930-13201	GASKET, SILENCER	1							
3	1	129A23-13910	SENSOR, EXH TEMP.	1							1
4	1	129C00-13970	SENSOR, EXH.TEMP	1							1
5	1	129A22-16010	DPF ASSY	1							1
6	2	129A22-16200	CASE, DOC	1							1
8	2	129A00-16400	CASE, SOOT FILTER	1							1
10	2	129A00-16500	SILENCER, DPF	1							
11	2	129A00-16600	GASKET, DPF	2							
12	2	129A00-16610	BOLT, M8X28 10.9T	16							
13	2	129C01-16690	LIFTER, DPF	1							
14	2	129A00-16700	STIFFENER, DPF A	5							
15	2	129A00-16710	STIFFENER, DPF B	1							
16	2	129A00-16730	STIFFENER, DPF C	1							
17	2	129A00-16740	STIFFENER, DPF C	1							
18	2	129A00-16801	STAY, DPF	1							
19	2	26106-080122	BOLT, M8X 12 PLATED	2							
20	2	26106-080222	BOLT, M8X 22 PLATED	2							
21	2	26306-080002	NUT, M8	16							
23	1	129A00-13350	BOLT, PIPE JOINT	2							
24	1	129A00-17300	PIPE, SENSOR	1							
25	1	129A00-17311	GASKET, SENSOR	4							
26	1	129A00-17350	PIPE, SENSOR	1							
27	1	129E01-17600	HOSE ASSY, PRES EXH	1							
29	2	129A00-17520	CLIP, HOSE	2							
30	1	129A23-17670	HOSE ASSY, PRES EXH	1							
31	2	129A00-17570	CLIP, HOSE	2							
33	1	129978-17700	SENSOR, PRESSURE	1							1
34	1	129A00-91200	BAND CLIP	1							
35	1	129C00-91200	BAND	2							
36	1	129A00-91430	CLIP, CONNECTOR	2							
37	1	26106-100202	BOLT, M10X 20 PLATED	4							
38	1	26306-080002	NUT, M8	4							

Remarks

(1)When replacing this part, it is necessary to update the software of the ECU using the designated service tool. Please refer to the Service Manual for details.

Fig.8. CAMSHAFT & DRIVING GEAR

(A)=4TNV88C-NKAH

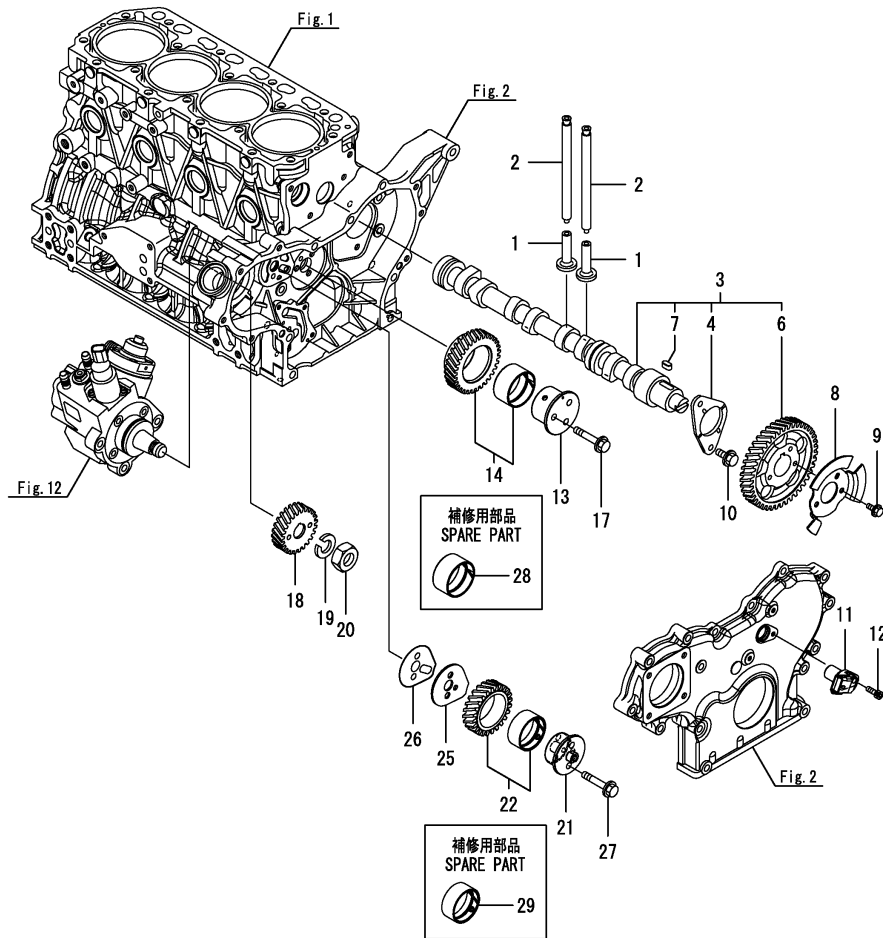
(B)=

(C)=

(D)=

(E)=

(F)=



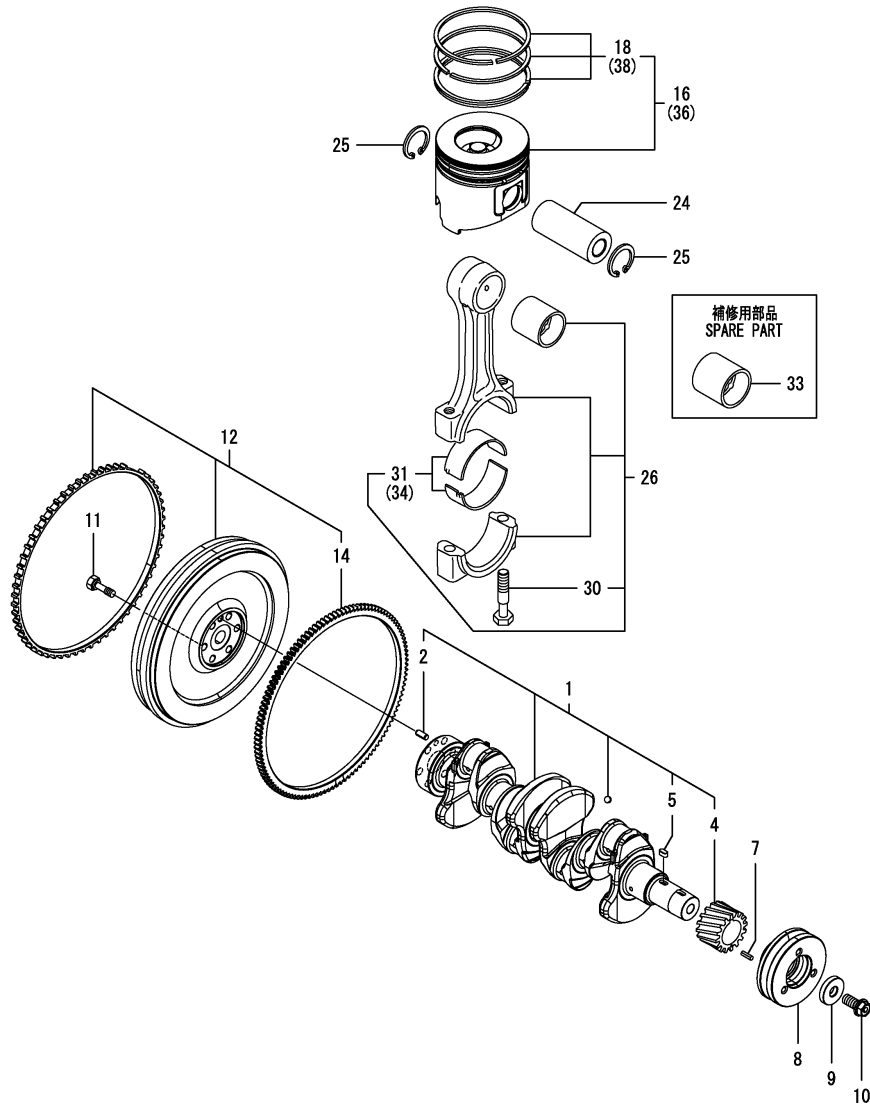
No.	Lev.	Parts No.	Description	Q'ty						I	R
				(A)	(B)	(C)	(D)	(E)	(F)		
1	1	129150-14200	TAPPET	8							
2	1	129150-14400	PUSH-ROD, L=178	8							
3	1	129C00-14580	CAMSHAFT ASSY	1							
4	2	129150-02450	BEARING, THRUST	1							
6	2	129A00-14100	GEAR,CAMSHAFT	1							
7	2	22512-070140	KEY, 7X 14	1							
8	1	129A00-14700	PULSER, CAMSHAFT	1							
9	1	26106-060102	BOLT, M6X 10 PLATED	3							
10	1	26106-080142	BOLT, M8X 14 PLATED	2							
11	1	129A00-14710	SENSOR, GEAR REV	1							
12	1	26450-060162	BOLT, M6X 16	1							
13	1	129A00-25050	SHAFT, IDLE GEAR A	1							
14	1	129A00-25110	GEAR ASSY, IDLE A	1							
17	1	26106-080452	BOLT, M8X 45 PLATED	3							
18	1	129A00-25900	GEAR, SUPPLY PUMP	1							
19	1	22217-180000	WASHER, SPRING 18	1							
20	1	26776-180002	NUT, LOCK M18	1							
21	1	129A00-25060	SHAFT, IDLE GEAR B	1							
22	1	129A00-25120	GEAR ASSY, IDLE B	1							
25	1	129A00-25200	PLATE, IDLE SHAFT B	1							
26	1	129A00-25210	GASKET, IDLE SHAFT B	1							
27	1	26106-080402	BOLT, M8X 40 PLATED	2							
28	1	119802-25071	BUSH, IDLE GEAR	1							1
29	1	129A00-25080	BUSH	1							1

Remarks

(1) Spare parts.

N:Old  $\begin{matrix} \leftarrow \text{Yes} \\ \text{No} \end{matrix}$  New, Q:Old  $\begin{matrix} \leftarrow \text{No} \\ \text{Yes} \end{matrix}$  New, R:Old  $\begin{matrix} \leftarrow \text{Yes} \\ \text{Yes} \end{matrix}$  New, S:Old  $\begin{matrix} \leftarrow \text{No} \\ \text{No} \end{matrix}$  New, W:Add, Z:Discontinued, F:Interchangeable by set, K:Q'ty Change

Fig.9. CRANKSHAFT & PISTON



(A)=4TNV88C-NKAH  
(B)=  
(C)=

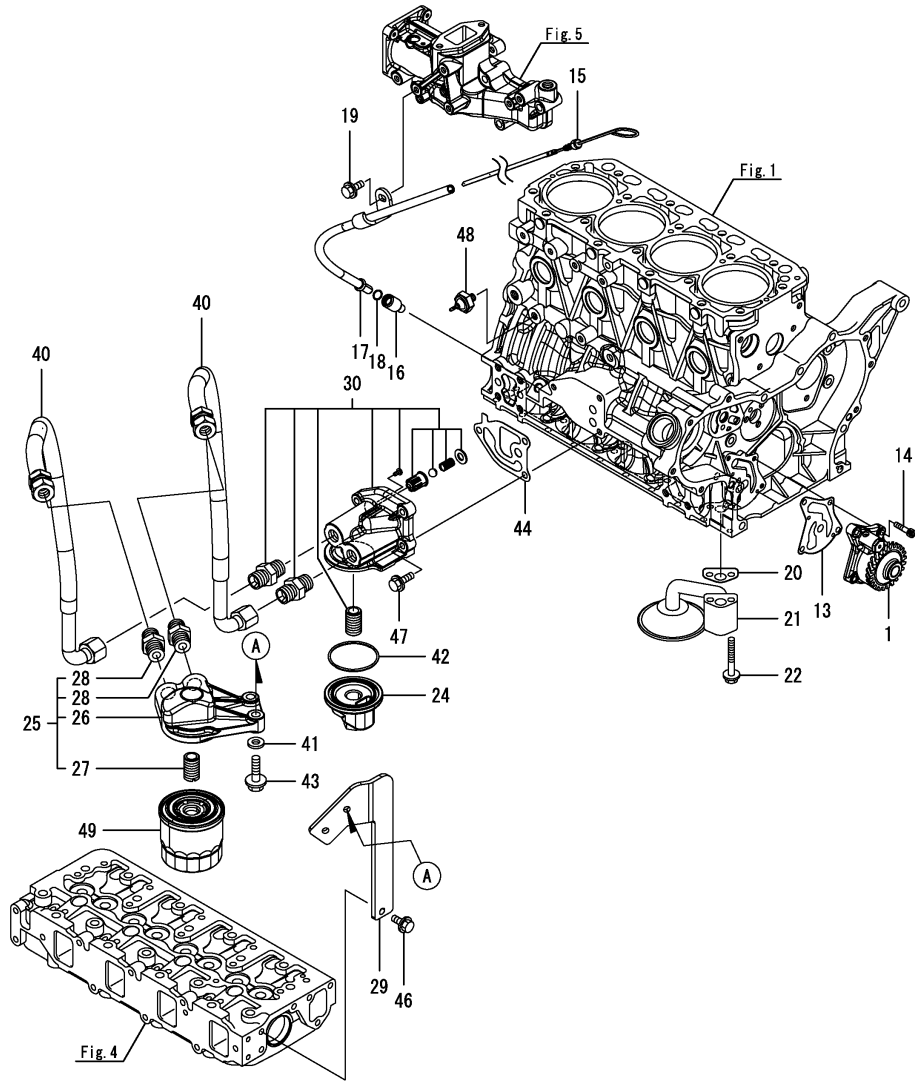
(D)=  
(E)=  
(F)=

No.	Lev.	Parts No.	Description	Q'ty						I	R
				(A)	(B)	(C)	(D)	(E)	(F)		
1	1	129604-21000	CRANKSHAFT ASSY	1							
2	2	129100-01580	PIN, PARALLEL 8X16	1							
4	2	119803-21200	GEAR, CRANKSHAFT	1							
5	2	22512-070140	KEY, 7X 14	1							
7	1	22351-030010	PIN, SPRING 3.0X10	1							
8	1	119802-21650	V-PULLEY, CRANK 110	1							
9	1	129795-21661	WASHER	1							
10	1	121850-21680	BOLT	1							
11	1	121111-21501	BOLT, FLYWHEEL	6							
12	1	129C00-21580	FLYWHEEL ASSY	1							
14	2	119865-21600	GEAR, RING Z=116	1							
16	1	129C00-22080	PISTON ASSY	4							
18	2	129A00-22500	RING ASSY, PISTON	4							
24	1	129202-22300	PIN, PISTON D26 L70	4							
25	1	22252-000260	RING, 26	8							
26	1	729402-23100	ROD ASSY, CONNECTING	4							
30	2	121550-23200	BOLT, CONNECTING ROD	8							
31	2	129150-23601	BEARING, CRANK PIN	4							
33	1	129100-23910	BEARING, PISTON PIN	4							1
34	1	129150-23611	BEARING, 0.25 US	4							2
36	1	129C00-22900	PISTON ASSY, 0.25OS	4							3
38	2	129A00-22950	RING SET, 0.25 OS	4							3

Remarks

- (1) Spare parts.
- (2) Under-sized (U.S.=0.25) parts.
- (3) Over-sized (O.S.=0.25) parts.

Fig.10. LUB. OIL SYSTEM



(A)=4TNV88C-NKAH

(B)=

(C)=

(D)=

(E)=

(F)=

No.	Lev.	Parts No.	Description	Q'ty						I	R
				(A)	(B)	(C)	(D)	(E)	(F)		
1	1	129C00-32000	PUMP ASSY, LUB.OIL	1							
13	1	129486-32020	GASKET, PUMP	1							
14	1	26450-060252	BOLT, M6X 25	4							
15	1	129C22-34800	DIPSTICK, LUB.OIL	1							
16	1	119260-34810	GUIDE, DIPSTICK	1							
17	1	129C22-34810	GUIDE, DIPSTICK	1							
18	1	24316-240100	O-RING, 4DP10A	1							
19	1	26106-080162	BOLT, M8X 16 PLATED	1							
20	1	129150-35042	GASKET	1							
21	1	129436-35070	PIPE ASSY, OIL INLET	1							
22	1	26106-080552	BOLT, M8X 55 PLATED	2							
24	1	129238-35111	PLUG	1							
25	1	129238-35130	BRACKET, FILTER	1							
26	2	129238-35120	BRACKET UP, LOFILTER	1							
27	2	129100-35140	BOLT, STUD	1							
28	2	129953-39500	ADAPTER, R-G1/2	2							
29	1	129C22-35200	BRACKET, OIL FILTER	1							
30	1	129C22-35320	BRACKET ASSY,OIL FIL	1							
40	1	129C22-39100	PIPE, LUB.OIL	2							
41	1	22137-100000	WASHER, 10	2							
42	1	24321-000600	O-RING, 1AG60.0	1							
43	1	26106-100352	BOLT, M10X 35 PLATED	2							
44	1	129103-35122	GASKET	1							
46	1	26106-080122	BOLT, M8X 12 PLATED	1							
47	1	26106-080252	BOLT, M8X 25 PLATED	3							
48	1	114250-39450	SWITCH, HYDRAULIC	1							
49	1	129150-35170	FILTER,LO	1							1

Remarks

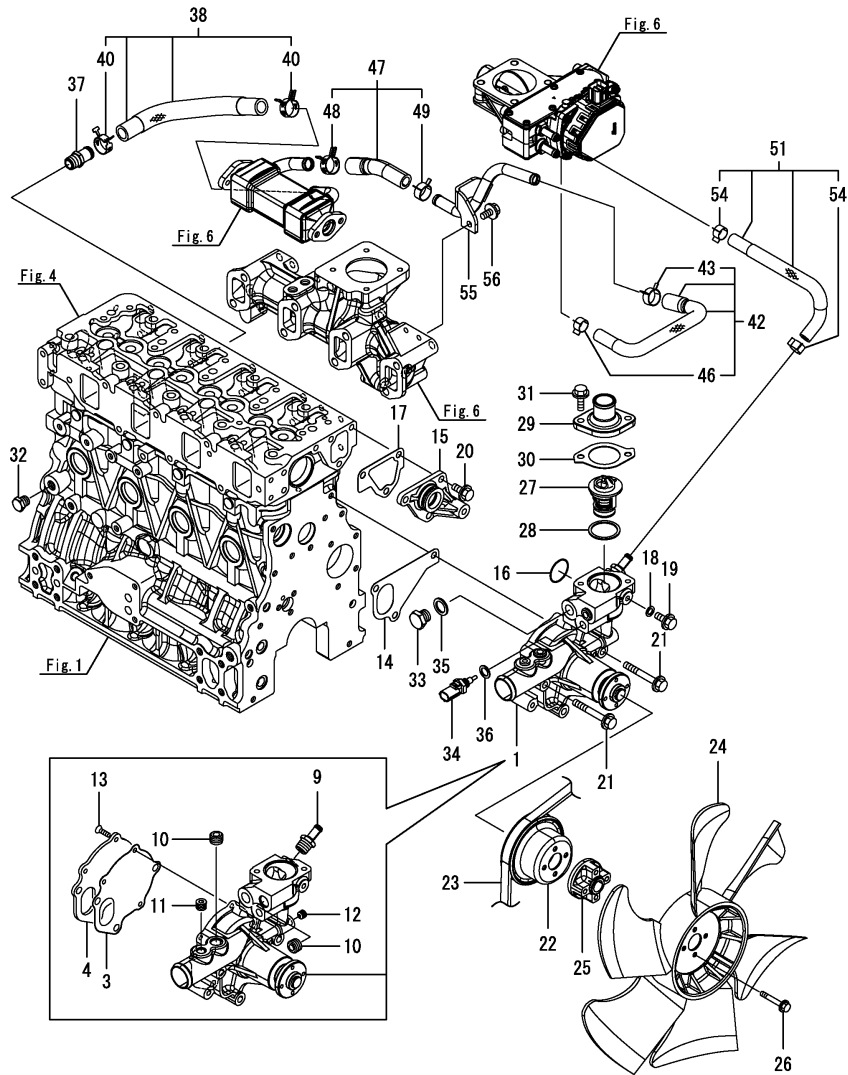
(1) Spare parts.

N:Old  $\begin{matrix} \leftarrow \text{Yes} \\ \text{No} \end{matrix}$  New, Q:Old  $\begin{matrix} \leftarrow \text{No} \\ \text{Yes} \end{matrix}$  New, R:Old  $\begin{matrix} \leftarrow \text{Yes} \\ \text{Yes} \end{matrix}$  New, S:Old  $\begin{matrix} \leftarrow \text{No} \\ \text{No} \end{matrix}$  New, W:Add, Z:Discontinued, F:Interchangeable by set, K:Q'ty Change

Fig.11. COOLING WATER SYSTEM

(A)=4TNV88C-NKAH  
(B)=  
(C)=

(D)=  
(E)=  
(F)=



No.	Lev.	Parts No.	Description	Qty						I	R
				(A)	(B)	(C)	(D)	(E)	(F)		
1	1	129A22-42000	PUMP ASSY, CW	1							
3	2	129100-42051	GASKET, WATER PUMP	1							
4	2	129100-42121	PLATE, PUMP	1							
9	2	129F01-49420	JOINT, R3/8	1							
10	2	129916-49740	PLUG, R3/8	2							
11	2	23875-020000	PLUG, R02	1							
12	2	23876-010000	PLUG, R01	1							
13	2	26577-060142	SCREW M 6X 14	3							
14	1	129486-42021	GASKET, WATER PUMP	1							
15	1	129004-42040	JOINT	1							
16	1	129486-42140	O-RING, G30	1							
17	1	124395-49840	GASKET, THERMOSTAT	1							
18	1	23414-080000	GASKET, 8X1.0	1							
19	1	26106-080122	BOLT, M8X 12 PLATED	1							
20	1	26106-080162	BOLT, M8X 16 PLATED	3							
21	1	26106-080602	BOLT, M8X 60 PLATED	3							
22	1	129556-42350	V-PULLEY, 96	1							
23	1	129612-42380	V-BELT, A38.5	1							
24	1	129612-44700	FAN, COOLING	1							
25	1	171353-44760	SPACER, FAN	1							
26	1	26106-060402	BOLT, M6X 40 PLATED	4							
27	1	129457-49801	THERMOSTAT, 82	1							
28	1	129150-49811	GASKET, THERMOSTAT	1							
29	1	129350-49530	COVER, THERMOSTAT	1							
30	1	129795-49551	GASKET	1							
31	1	26106-080222	BOLT, M8X 22 PLATED	2							
32	1	171056-49120	PLUG, DRAIN R1/4	1							
33	1	121450-42450	PLUG, M16	1							
34	1	129927-44900	SENSOR, WATER TEMP.	1							1
35	1	124465-44950	GASKET, 16	1							
36	1	22190-120002	WASHER, SEAL 12	1							
37	1	129928-49420	JOINT	1							
38	1	129A00-49610	PIPE ASSY, WATER IN	1							
40	2	129960-03990	CLAMP, HOSE 19.8	2							
42	1	129A22-49610	HOSE ASSY, WATER	1							
43	2	171008-03990	CLAMP, HOSE 18.5	1							
46	2	23080-015000	CLAMP, 15	1							
47	1	129C22-49610	HOSE ASSY, WATER	1							
48	2	129960-03990	CLAMP, HOSE 19.8	1							
49	2	171008-03990	CLAMP, HOSE 18.5	1							
51	1	129C22-49620	HOSE ASSY, WATER	1							
54	2	23080-015000	CLAMP, 15	2							
55	1	129A22-49700	PIPE, WATER EGR-C	1							
56	1	26106-080142	BOLT, M8X 14 PLATED	1							

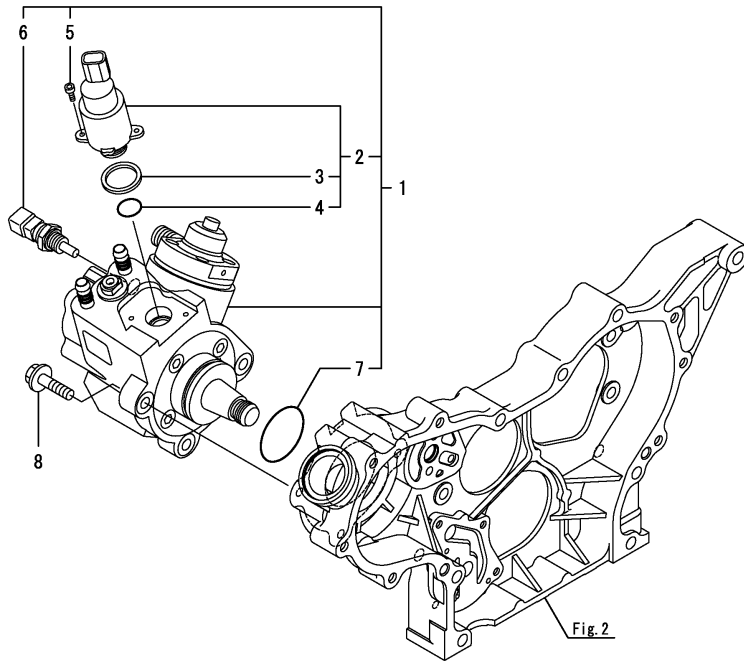
Remarks

(1)When replacing this part, it is necessary to update the software of the ECU using the designated service tool. Please refer to the Service Manual for details.

Fig.12. FUEL SUPPLY PUMP

(A)=4TNV88C-NKAH  
(B)=  
(C)=

(D)=  
(E)=  
(F)=



No.	Lev.	Parts No.	Description	Q'ty						I	R
				(A)	(B)	(C)	(D)	(E)	(F)		
1	1	129A00-51000	PUMP ASSY, FUEL	1							1
2	2	129A00-51100	VALVE ASSY, MPROP	1							1
3	3	129A00-51110	RING, SEALING	1							
4	3	129A00-51120	O-RING, MPROP	1							
5	2	129A00-51130	BOLT, MPROP	2							
6	2	129A00-51200	SENSOR, TEMPERATURE	1							1
7	2	129A00-51900	O-RING, FUEL PUMP	1							
8	1	26106-080302	BOLT, M8X 30 PLATED	3							

Remarks

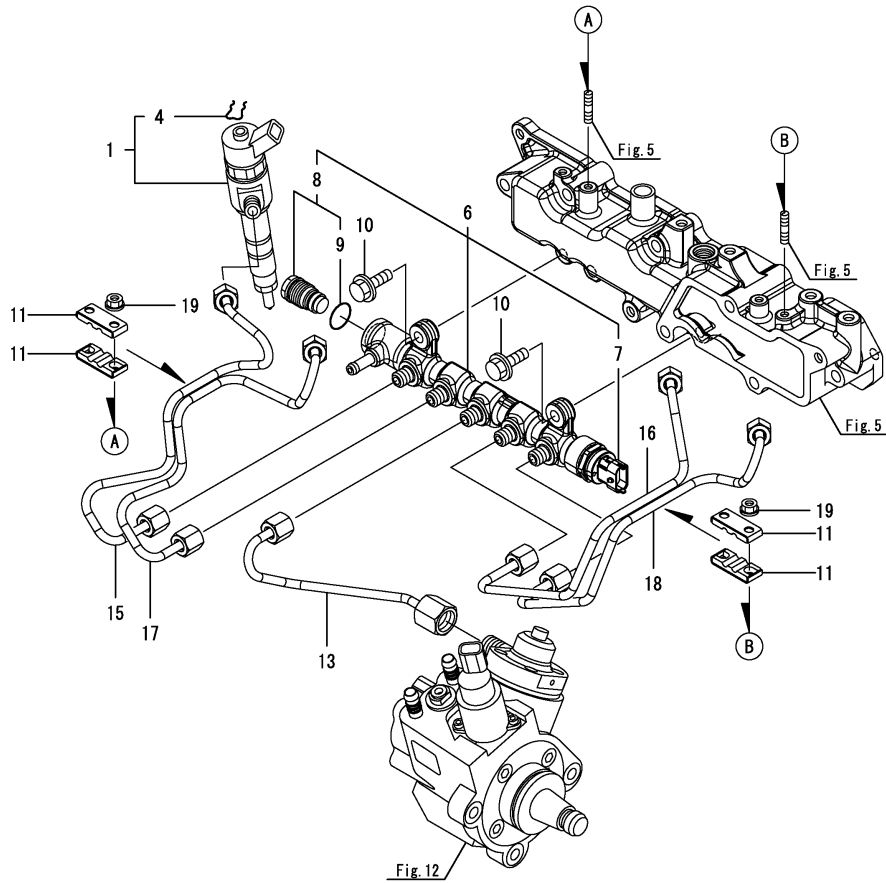
(1)When replacing this part, it is necessary to update the software of the ECU using the designated service tool. Please refer to the Service Manual for details.

Fig.13. FUEL INJECTION VALVE

(A)=4TNV88C-NKAH  
(B)=  
(C)=

(D)=  
(E)=  
(F)=

No.	Lev.	Parts No.	Description	Q'ty						I	R
				(A)	(B)	(C)	(D)	(E)	(F)		
1	1	129A00-53100	INJECTOR, CR	4							1
4	2	129A00-53200	RING, RETAINING	4							
6	1	129C00-57000	RAIL ASSY	1							1
7	2	129A00-57100	SENSOR, RAILPRESSURE	1							1
8	2	129A00-57200	VALVE ASSY, PLV4	1							1
9	3	129A00-57210	O-RING, PLV4	1							
10	1	26106-080252	BOLT, M8X 25 PLATED	2							
11	1	122780-59100	RETAINER	4							
13	1	129A00-59700	PIPE ASSY, RAIL IN	1							
15	1	129C00-59810	PIPE ASSY, INJECTION	1							
16	1	129A00-59820	PIPE ASSY, INJECTION	1							
17	1	129C00-59820	PIPE ASSY, INJECTION	1							
18	1	129A00-59830	PIPE ASSY, INJECTION	1							
19	1	26366-060002	NUT, M6	4							



Remarks

(1)When replacing this part, it is necessary to update the software of the ECU using the designated service tool. Please refer to the Service Manual for details.



Fig.14. FUEL PIPE

(A)=4TNV88C-NKAH  
(B)=  
(C)=

(D)=  
(E)=  
(F)=

No.	Lev.	Parts No.	Description	Q'ty						I	R
				(A)	(B)	(C)	(D)	(E)	(F)		
1	1	129C00-59500	PIPE ASSY, FUEL	1							
3	2	23080-007000	CLAMP, 7	1							
4	1	129A00-59020	PIPE ASSY, FUEL	1							
7	2	23080-015000	CLAMP, 15	2							
8	1	129C00-59030	PIPE ASSY, FUEL	1							
9	2	114270-59010	CLAMP, HOSE 12	2							
12	2	129A00-91200	BAND CLIP	1							

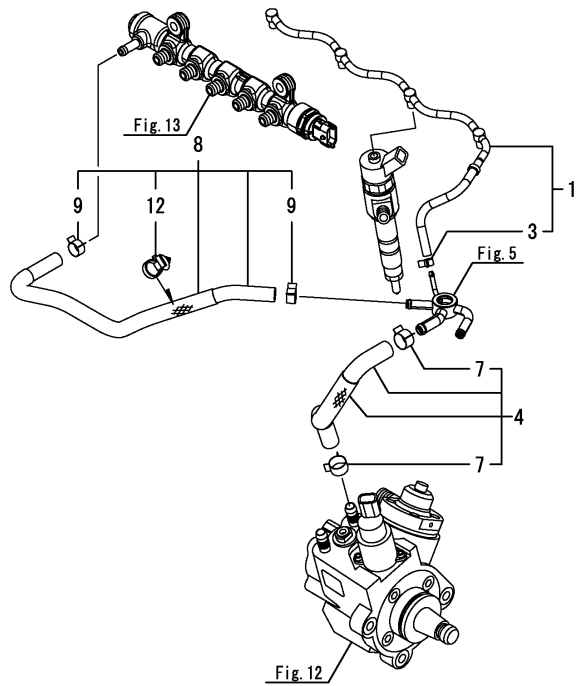


Fig.15. STARTER MOTOR

(A)=4TNV88C-NKAH

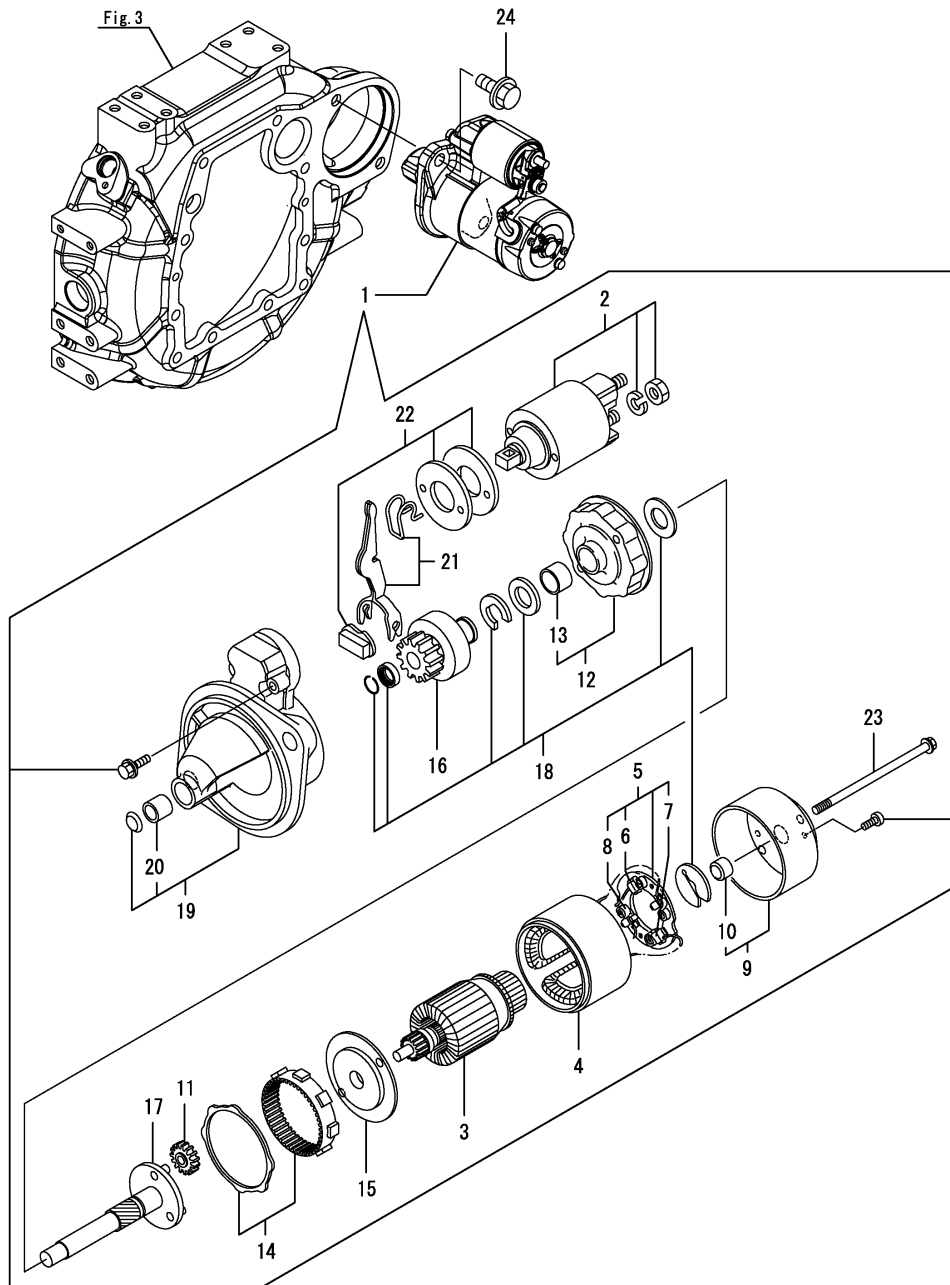
(B)=

(C)=

(D)=

(E)=

(F)=

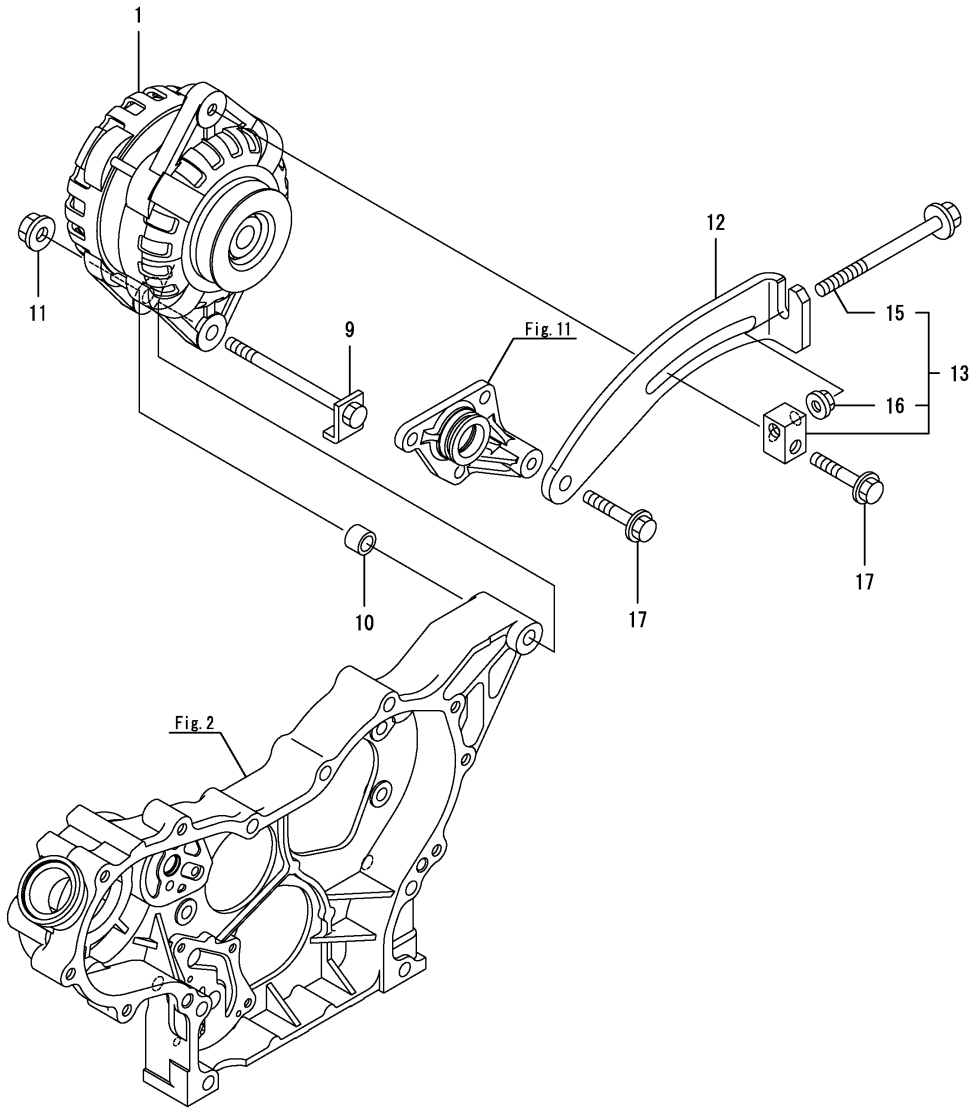


No.	Lev.	Parts No.	Description	Q'ty						I	R
				(A)	(B)	(C)	(D)	(E)	(F)		
1	1	129242-77010	STARTER ASSY	1							
2	2	129698-77020	SWITCH ASSY, MAGNET	1							
3	2	129242-77100	ARMATURE ASSY	1							
4	2	129242-77110	YOKE ASSY	1							
5	2	129242-77120	HOLDER ASSY, BRUSH	1							
6	3	129242-77130	BRUSH	2							
7	3	129242-77140	BRUSH SET	1							
8	3	129242-77150	SPRING, BRUSH	4							
9	2	129242-77160	COVER ASSY	1							
10	3	129242-77170	BEARING, COVER	1							
11	2	118400-77170	GEAR, PLANETARY	3							
12	2	129242-77180	BRACKET, CENTER	1							
13	3	129698-77190	BRACKET, CENTER	1							
14	2	129698-77200	GEAR, INTERNAL	1							
15	2	129242-77210	BRACKET, CENTER	1							
16	2	129698-77220	PINION ASSY	1							
17	2	129698-77230	SHAFT, PINION	1							
18	2	129698-77250	WASHER SET	1							
19	2	129242-77260	CASE ASSY, GEAR	1							
20	3	X2114535200	BEARING, STARTER	1							
21	2	129242-77270	LEVER SET	1							
22	2	129242-77280	COVER KIT, DUST	1							
23	2	124195-77770	BOLT, THROUGH	2							
24	1	26106-120252	BOLT, M12X 25 PLATED	2							

Fig.16. GENERATOR

(A)=4TNV88C-NKAH  
(B)=  
(C)=

(D)=  
(E)=  
(F)=



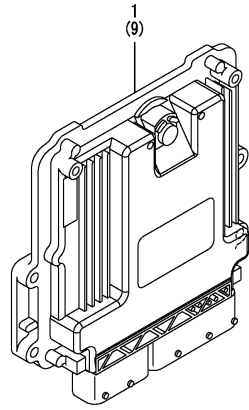
No.	Lev.	Parts No.	Description	Q'ty						I	R
				(A)	(B)	(C)	(D)	(E)	(F)		
1	1	129908-77200	ALTERNATOR 12V	1							
9	1	129908-77220	BOLT, STOPPER M10	1							
10	1	129A20-77350	PIECE, DISTANCE	1							
11	1	26306-100002	NUT, M10	1							
12	1	129C22-77300	ADJUSTER, BELT	1							
13	1	119624-77351	BLOCK ASSY, ADJUSTER	1							
15	2	26106-081004	BOLT, M8X100 PLATED	1							
16	2	26306-080002	NUT, M8	1							
17	1	26106-080452	BOLT, M8X 45 PLATED	2							

Fig.17. ELECTRONIC CONTROL UNIT(ECU)

(A)=4TNV88C-NKAH  
(B)=  
(C)=

(D)=  
(E)=  
(F)=

No.	Lev.	Parts No.	Description	Q'ty						I	R
				(A)	(B)	(C)	(D)	(E)	(F)		
1	1	129C22-75010	ECU ASSY,4-88C-NKAH	1							1
9	1	129A00-75910	ECU ASSY,SERVICE YMR	1							2



Remarks

(1)Eco ECU

This part cannot be ordered.

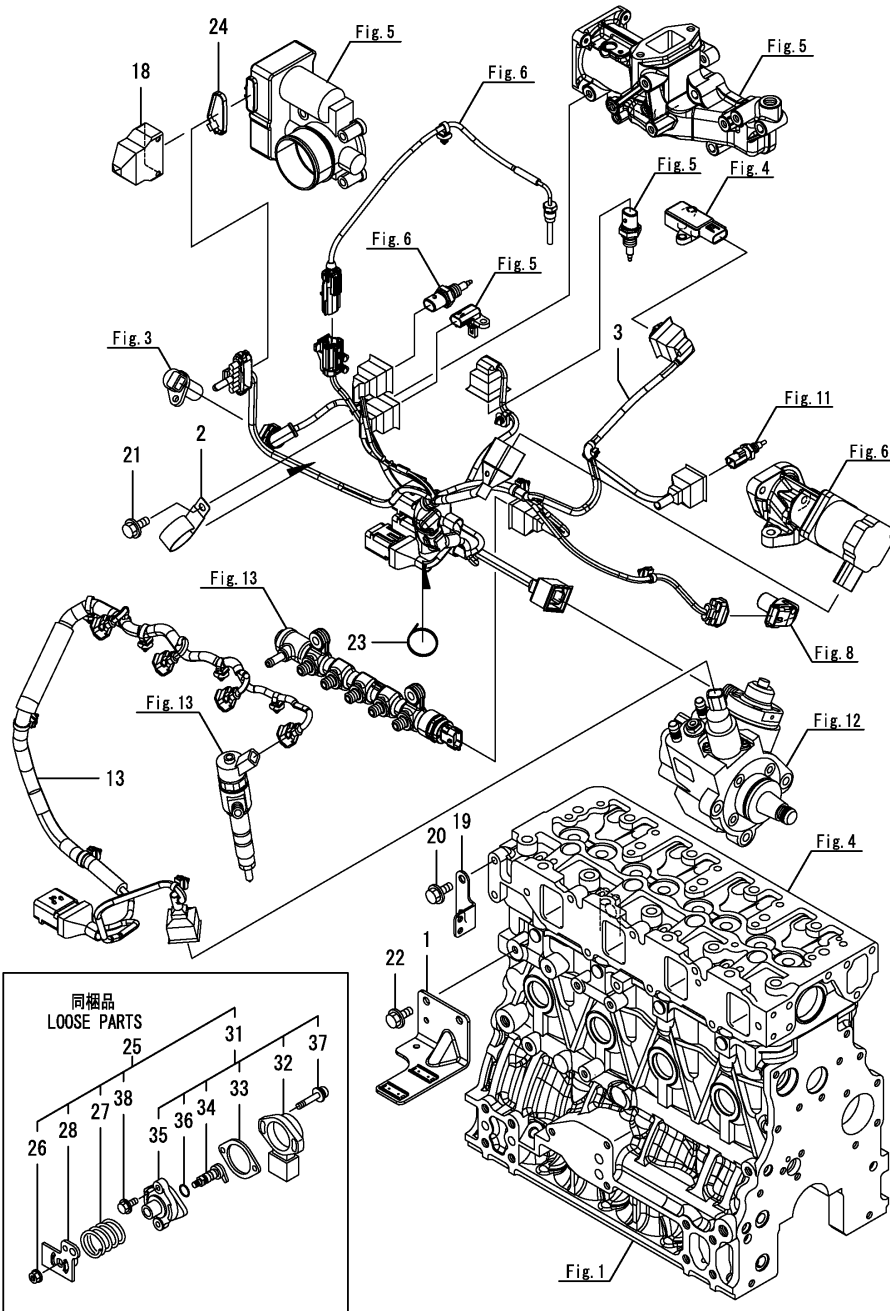
Replace the part using a Service ECU with the proper engine information installed.

(2)Service ECU

When replacing this part, it is necessary to update the software of the ECU using the designated service tool.

Please refer to the Service Manual for details.

Fig.18. ELECTRIC PARTS



(A)=4TNV88C-NKAH  
(B)=  
(C)=

(D)=  
(E)=  
(F)=

No.	Lev.	Parts No.	Description	Q'ty						I	R
				(A)	(B)	(C)	(D)	(E)	(F)		
1	1	129A00-77930	BRACKET,CONNECTOR	1							
2	1	129928-79700	CLAMP, 150-M8	1							
3	1	129C00-91223	HARNESS,B ECO ENGINE	1							
13	1	129C00-91232	HARNESS C,ECO ENGINE	1							
18	1	129A00-91451	BOOT,CAP TYPE	1							
19	1	129A00-91600	BRACKET, HARNESS	1							
20	1	26106-080122	BOLT, M8X 12 PLATED	2							
21	1	26106-080122	BOLT, M8X 12 PLATED	1							
22	1	26106-080122	BOLT, M8X 12 PLATED	2							
23	1	29621-100000	BAND, TR100	1							
24	1	29621-200000	BAND	1							
25	1	129A22-77800	SENSOR ASSY, ACCEL	1							
26	2	194990-22130	NUT, M6	1							
27	2	119060-61990	SPRING, RETURN	1							
28	2	129A22-77820	LEVER ASSY, ACCEL	1							
31	2	129A22-77890	SENSOR ASSY, ACCEL	1							
32	3	185100-50070	BODY	1							
33	3	129054-77820	GASKET	1							
34	3	129054-77830	SHAFT ASSY	1							
35	3	129A22-77880	SUPPORT	1							
36	3	24311-000070	O-RING, 1AP7.0	1							
37	3	26023-040202	SCREW, M4X20	2							
38	2	26106-060122	BOLT, M6X 12 PLATED	2							

Fig.19. GASKET SET

(A)=4TNV88C-NKAH

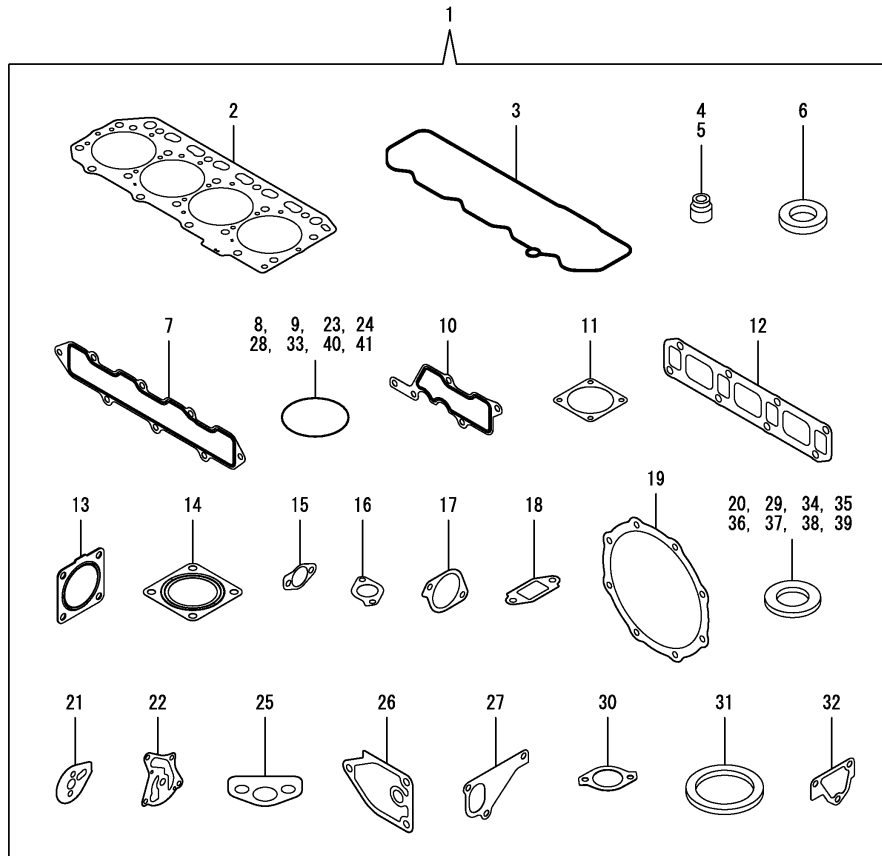
(B)=

(C)=

(D)=

(E)=

(F)=



No.	Lev.	Parts No.	Description	Q'ty						I	R
				(A)	(B)	(C)	(D)	(E)	(F)		
1	1	129C20-92620	PACKING	1							1
2	2	129685-01350	GASKET, HEAD	1							
3	2	129C00-11310	GASKET, COVER	1							
4	2	124460-11340	SEAL, VALVE STEM	4							
5	2	129A00-11340	SEAL, VALVE STEM	4							
6	2	129978-11871	GASKET,INJECTOR	4							
7	2	129C00-12110	GASKET, INT MANIFOLD	1							
8	2	129A00-12780	O-RING,PRES SENSOR	2							
9	2	129A00-12790	O-RING,TEMP SENSOR	1							
10	2	129A00-12810	GASKET, COLLECTOR	1							
11	2	129A00-12910	GASKET,THROTTLE	2							
12	2	129C00-13110	GASKET, EXH MANIFOLD	1							
13	2	129930-13201	GASKET, SILENCER	1							
14	2	128300-13230	GASKET, SILENCER	1							
15	2	129A00-13410	GASKET, EGR COOLER	2							
16	2	129927-13810	GASKET	1							
17	2	129A00-13910	GASKET, EGR-V IN	1							
18	2	129A00-13920	GASKET(EGR-V OUT	1							
19	2	129A00-16600	GASKET, DPF	2							
20	2	129A00-17311	GASKET,SENSOR	4							
21	2	129A00-25210	GASKET, IDLE SHAFT B	1							
22	2	129486-32020	GASKET, PUMP	1							
23	2	119609-32040	O-RING, P16	2							
24	2	119624-32040	O-RING, P12.0	1							
25	2	129150-35042	GASKET	1							
26	2	129150-35111	GASKET	1							
27	2	129486-42021	GASKET, WATER PUMP	1							
28	2	129486-42140	O-RING, G30	1							
29	2	124465-44950	GASKET, 16	1							
30	2	129795-49551	GASKET	1							
31	2	129150-49811	GASKET, THERMOSTAT	1							
32	2	124395-49840	GASKET, THERMOSTAT	1							
33	2	129A00-51900	O-RING, FUEL PUMP	1							
34	2	22190-080002	WASHER, SEAL 8	1							
35	2	22190-120002	WASHER, SEAL 12	1							
36	2	22190-140002	WASHER, SEAL 14	2							
37	2	22190-220002	WASHER, SEAL 22	1							
38	2	23414-080000	GASKET, 8X1.0	1							
39	2	23414-120000	GASKET, 12X1.0	2							
40	2	24311-000120	O-RING, 1AP12.0	3							
41	2	24311-000320	O-RING, 1AP32.0	3							

Remarks

(1)Optional parts.

N:Old  $\begin{matrix} \leftarrow \text{Yes} \\ \text{No} \rightarrow \end{matrix}$  New, Q:Old  $\begin{matrix} \leftarrow \text{No} \\ \text{Yes} \rightarrow \end{matrix}$  New, R:Old  $\begin{matrix} \leftarrow \text{Yes} \\ \text{Yes} \rightarrow \end{matrix}$  New, S:Old  $\begin{matrix} \leftarrow \text{No} \\ \text{No} \rightarrow \end{matrix}$  New, W:Add, Z:Discontinued, F:Interchangeable by set, K:Q'ty Change

## Parts No. Index

Parts No.	Fig. No.	Ref. No.
114250-39450	10	48
114270-59010	14	9
118400-77170	15	11
119060-61990	18	27
119131-18320	6	32
119260-34810	10	16
119609-32040	2	5
	19	23
119620-01750	3	3
119624-32040	2	6
	19	24
119624-77351	16	13
119640-01640	3	8
119640-61400	4	52
119660-01570	5	11
119802-11260	4	4
119802-11270	4	5
119802-13750	6	31
119802-21650	9	8
119802-25071	8	28
119803-21200	9	4
119803-77830	4	62
119865-21600	9	14
119934-01800	2	11
120130-11860	4	65
120270-54410	4	30
121111-21501	9	11
121450-42450	11	33
121550-23200	9	30
121850-21680	9	10
122780-59100	13	11
123900-13651	6	29
123907-03100	4	40
123907-03110	4	41
123907-03120	4	42
123907-03140	4	43
124060-01050	1	11
124160-01751	2	3
	4	35
124160-01910	1	12
		13
124160-11360	4	36
124195-77770	15	23
124240-01871	2	12
124395-49840	11	17
	19	32
124460-11340	4	24
	19	4
124465-44950	11	35
	19	29

Parts No.	Fig. No.	Ref. No.
128300-13230	19	14
129001-01250	1	4
129001-02931	1	29
129004-03010	4	38
129004-11650	4	7
129004-42040	11	15
129005-03080	5	1
129005-11100	4	20
129008-77800	4	63
129054-77820	18	33
129054-77830	18	34
129100-01580	2	2
	3	1
		15
	9	2
129100-11112	4	21
129100-23910	9	33
129100-35140	10	27
129100-42051	11	3
129100-42121	11	4
129103-35122	10	44
129150-01200	1	27
129150-02020	1	6
129150-02450	8	4
129150-02871	1	32
129150-02931	1	24
129150-02941	1	35
129150-03070	4	39
129150-11230	4	8
129150-11280	4	6
129150-11370	4	12
129150-11750	4	10
129150-11810	4	66
129150-14200	8	1
129150-14400	8	2
129150-23601	9	31
129150-23611	9	34
129150-35042	10	20
	19	25
129150-35111	19	26
129150-35170	10	49
129150-49811	11	28
	19	31
129202-22300	9	24
129238-35111	10	24
129238-35120	10	26
129238-35130	10	25
129242-77010	15	1
129242-77100	15	3
129242-77110	15	4

Parts No.	Fig. No.	Ref. No.
129242-77120	15	5
129242-77130	15	6
129242-77140	15	7
129242-77150	15	8
129242-77160	15	9
129242-77170	15	10
129242-77180	15	12
129242-77210	15	15
129242-77260	15	19
129242-77270	15	21
129242-77280	15	22
129350-49530	11	29
129400-01730	3	6
129410-03990	5	2
129418-18320	6	20
129436-35070	10	21
129457-49801	11	27
129486-01670	3	19
129486-32020	10	13
	19	22
129486-42021	11	14
	19	27
129486-42140	11	16
	19	28
129556-42350	11	22
129601-11241	4	1
129601-11251	4	2
129604-21000	9	1
129612-42380	11	23
129612-44700	11	24
129648-01600	3	16
129648-01780	3	18
129685-01350	1	28
	19	2
129688-01780	3	7
129698-77020	15	2
129698-77190	15	13
129698-77200	15	14
129698-77220	15	16
129698-77230	15	17
129698-77250	15	18
129795-01950	2	4
129795-02412	1	9
129795-11120	4	22
129795-11180	4	23
129795-21661	9	9
129795-49551	11	30
	19	30
129908-77200	16	1
129908-77220	16	9

Parts No.	Fig. No.	Ref. No.
129916-49740	11	10
129927-13810	6	35
	19	16
129927-44900	11	34
129928-49420	11	37
129928-79700	18	2
129930-07910	4	59
129930-13201	6	22
		27
	7	1
	19	13
129953-39500	10	28
129960-03990	11	40
		48
129978-11871	4	28
	19	6
129978-12700	4	47
129978-17700	7	33
129A00-01550	2	9
129A00-01602	3	2
129A00-11330	4	46
129A00-11340	4	25
	19	5
129A00-11900	4	29
129A00-12711	5	12
129A00-12720	5	7
129A00-12780	4	48
	19	8
129A00-12790	5	13
	19	9
129A00-12810	5	9
	19	10
129A00-12820	5	24
129A00-12830	5	14
129A00-12900	5	25
129A00-12910	5	26
	19	11
129A00-13300	6	9
129A00-13350	6	11
	7	23
129A00-13360	4	49
129A00-13380	4	51
129A00-13400	6	14
129A00-13410	6	15
	19	15
129A00-13751	6	34
129A00-13770	6	6
129A00-13851	6	18
129A00-13861	6	19
129A00-13910	6	40

## Parts No. Index

Parts No.	Fig. No.	Ref. No.
129A00-13910	19	17
129A00-13920	6	41
	19	18
129A00-14100	8	6
129A00-14700	8	8
129A00-14710	8	11
129A00-16400	7	8
129A00-16500	7	10
129A00-16600	7	11
	19	19
129A00-16610	7	12
129A00-16700	7	14
129A00-16710	7	15
129A00-16730	7	16
129A00-16740	7	17
129A00-16801	7	18
129A00-17300	7	24
129A00-17311	7	25
	19	20
129A00-17350	7	26
129A00-17520	7	29
129A00-17570	7	31
129A00-21710	3	21
129A00-22500	9	18
129A00-22950	9	38
129A00-25050	8	13
129A00-25060	8	21
129A00-25080	8	29
129A00-25110	8	14
129A00-25120	8	22
129A00-25200	8	25
129A00-25210	8	26
	19	21
129A00-25900	8	18
129A00-49610	11	38
129A00-51000	12	1
129A00-51100	12	2
129A00-51110	12	3
129A00-51120	12	4
129A00-51130	12	5
129A00-51200	12	6
129A00-51900	12	7
	19	33
129A00-53100	13	1
129A00-53200	13	4
129A00-57100	13	7
129A00-57200	13	8
129A00-57210	13	9
129A00-59020	14	4
129A00-59700	13	13

Parts No.	Fig. No.	Ref. No.
129A00-59820	13	16
129A00-59830	13	18
129A00-75910	17	9
129A00-77930	18	1
129A00-91200	6	7
	7	34
	14	12
129A00-91430	7	36
129A00-91451	18	18
129A00-91600	18	19
129A01-13601	6	3
129A01-13700	6	5
129A20-77350	16	10
129A22-16010	7	5
129A22-16200	7	6
129A22-42000	11	1
129A22-49610	11	42
129A22-49700	11	55
129A22-77800	18	25
129A22-77820	18	28
129A22-77880	18	35
129A22-77890	18	31
129A23-01500	2	1
129A23-12900	5	10
129A23-13910	7	3
129A23-17670	7	30
129A23-59130	5	15
129C00-01560	1	1
129C00-11310	4	45
	19	3
129C00-11360	4	37
129C00-11710	4	13
129C00-12100	5	5
129C00-12110	5	3
	19	7
129C00-12150	5	4
129C00-13110	6	2
	19	12
129C00-13501	6	23
129C00-13511	6	24
129C00-13520	6	25
129C00-13901	6	39
129C00-13970	7	4
129C00-14580	8	3
129C00-21580	9	12
129C00-22080	9	16
129C00-22900	9	36
129C00-32000	10	1
129C00-57000	13	6
129C00-59030	14	8

Parts No.	Fig. No.	Ref. No.
129C00-59500	14	1
129C00-59810	13	15
129C00-59820	13	17
129C00-77820	4	64
129C00-91200	7	35
129C00-91223	18	3
129C00-91232	18	13
129C01-16690	7	13
129C20-92620	19	1
129C20-99240	6	26
129C22-07900	4	58
129C22-13350	6	28
129C22-34800	10	15
129C22-34810	10	17
129C22-35200	10	29
129C22-35320	10	30
129C22-39100	10	40
129C22-49610	11	47
129C22-49620	11	51
129C22-75010	17	1
129C22-77300	16	12
129C88-13100	6	1
129C88-13850	6	36
129E00-13620	6	17
129E01-17600	7	27
129F01-13600	6	16
129F01-13630	6	4
129F01-13650	6	30
129F01-49420	11	9
171008-03990	11	43
		49
171051-01921	1	5
171056-49120	11	32
171353-44760	11	25
185100-50070	18	32
194990-22130	18	26
22137-100000	10	41
22190-080002	2	13
	19	34
22190-120002	11	36
	19	35
22190-140002	5	16
	19	36
22190-220002	3	10
	19	37
22217-180000	8	19
22252-000260	9	25
22351-030010	9	7
22351-060012	4	31
22512-070140	8	7

Parts No.	Fig. No.	Ref. No.
22512-070140	9	5
22857-500100	4	53
		54
23080-007000	14	3
23080-015000	11	46
		54
	14	7
23297-080061	6	10
23414-080000	11	18
	19	38
23414-120000	6	12
	19	39
23857-080000	5	17
23875-020000	11	11
23876-010000	11	12
24311-000070	18	36
24311-000120	4	56
	19	40
24311-000320	2	7
	4	57
	19	41
24316-240100	10	18
24321-000600	10	42
26023-040202	18	37
26106-060102	8	9
26106-060122	6	13
	18	38
26106-060202	5	27
26106-060402	5	28
	11	26
26106-060902	5	29
26106-080122	7	19
	10	46
	11	19
	18	20
		21
		22
26106-080142	8	10
	11	56
26106-080162	2	8
		14
	3	11
	4	60
	10	19
	11	20
26106-080202	4	61
26106-080222	7	20
	11	31
26106-080252	3	12
	4	32



## Parts No. Index

Parts No.	Fig. No.	Ref. No.
26106-080252	6	37
	10	47
	13	10
26106-080302	12	8
26106-080352	2	15
	3	20
	4	33
26106-080402	2	16
	8	27
26106-080452	3	13
	8	17
26106-080502	16	17
	3	14
	4	34
	5	8
		20
	6	21
26106-080552	10	22
26106-080602	2	17
	11	21
26106-080752	5	21
26106-080852	2	18
26106-081004	16	15
26106-100202	7	37
26106-100352	10	43
26106-120252	15	24
26206-100252	3	4
26206-100302	3	5
26216-060202	5	6
26216-080302	5	18
26216-081052	5	22
26226-080182	4	11
26306-080002	5	23
	6	33
		38
		42
	7	21
		38
	16	16
26306-100002	6	8
	16	11
26366-060002	13	19
26450-060162	3	22
	4	55
	8	12
26450-060252	10	14
26577-060142	11	13
26716-060002	5	19
26776-180002	8	20
27241-120000	1	14

Parts No.	Fig. No.	Ref. No.
27241-300000	1	10
27241-400000	4	19
27310-080001	4	26
29621-100000	18	23
29621-200000	18	24
729402-23100	9	26
X2114535200	15	20

Parts No.	Fig. No.	Ref. No.
-----------	----------	----------

Parts No.	Fig. No.	Ref. No.
-----------	----------	----------