

0CB50-M00080EN

Contents

OCB50-M00080

Fig. No. Fig. Name

Fig. No. Fig. Name

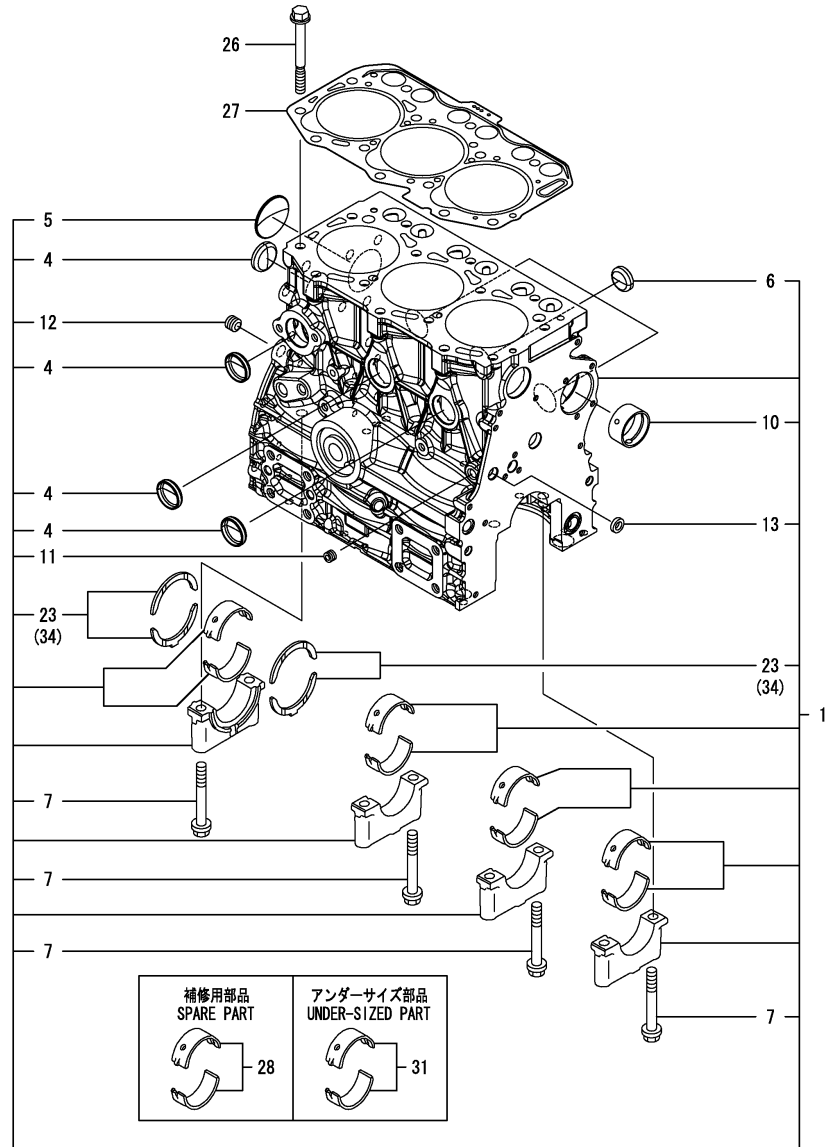
ENGINE

1. CYLINDER BLOCK
2. GEAR HOUSING
3. FLYWHEEL HOUSING & OIL SUMP
4. CYLINDER HEAD & BONNET
5. EXHAUST MANIFOLD & SILENCER
6. CAMSHAFT & DRIVING GEAR
7. CRANKSHAFT & PISTON
8. LUB. OIL SYSTEM
9. COOLING WATER SYSTEM
10. FUEL INJECTION PUMP
11. GOVERNOR
12. FUEL INJECTION VALVE
13. FUEL PIPE
14. STARTER MOTOR
15. GENERATOR
16. GASKET SET

Fig.1. CYLINDER BLOCK

(A)=3TNV80-XPBV
(B)=
(C)=

(D)=
(E)=
(F)=



No.	Lev.	Parts No.	Description	Q'ty						I	R
				(A)	(B)	(C)	(D)	(E)	(F)		
1	1	119E00-01560	BLOCK ASSY, CYLINDER	1							
4	2	105311-01090	PLUG, CUP TYPE 30	4							
5	2	119623-01250	PLUG, DISH TYPE 45	1							
6	2	119285-01990	PLUG, CUP TYPE 25	3							
7	2	119620-02020	BOLT, METAL CAP	8							
10	2	119717-02411	BUSH, CAMSHAFT	1							
11	2	124060-01050	PLUG, PT1/8	1							
12	2	124160-01910	PLUG, PT1/4	1							
13	2	27241-120000	PLUG, 12	1							
23	2	119717-02930	BEARING ASSY, THRUST	2							
26	1	119810-01200	BOLT, CYLINDER HEAD	14							
27	1	119E10-01330	GASKET SET, HEAD	1							
28	1	719717-02901	BEARING ASSY, MAIN	4							1
31	1	719717-02911	BEARING ASSY, MAIN	4							2
34	1	119810-02941	BEARING, THRUST 0.25	2							3

Remarks

- (1) Spare parts.
- (2) Under-sized (U.S.=0.25) parts.
- (3) Over-sized (O.S.=0.25) parts.

Fig.2. GEAR HOUSING

(A)=3TNV80-XPBV

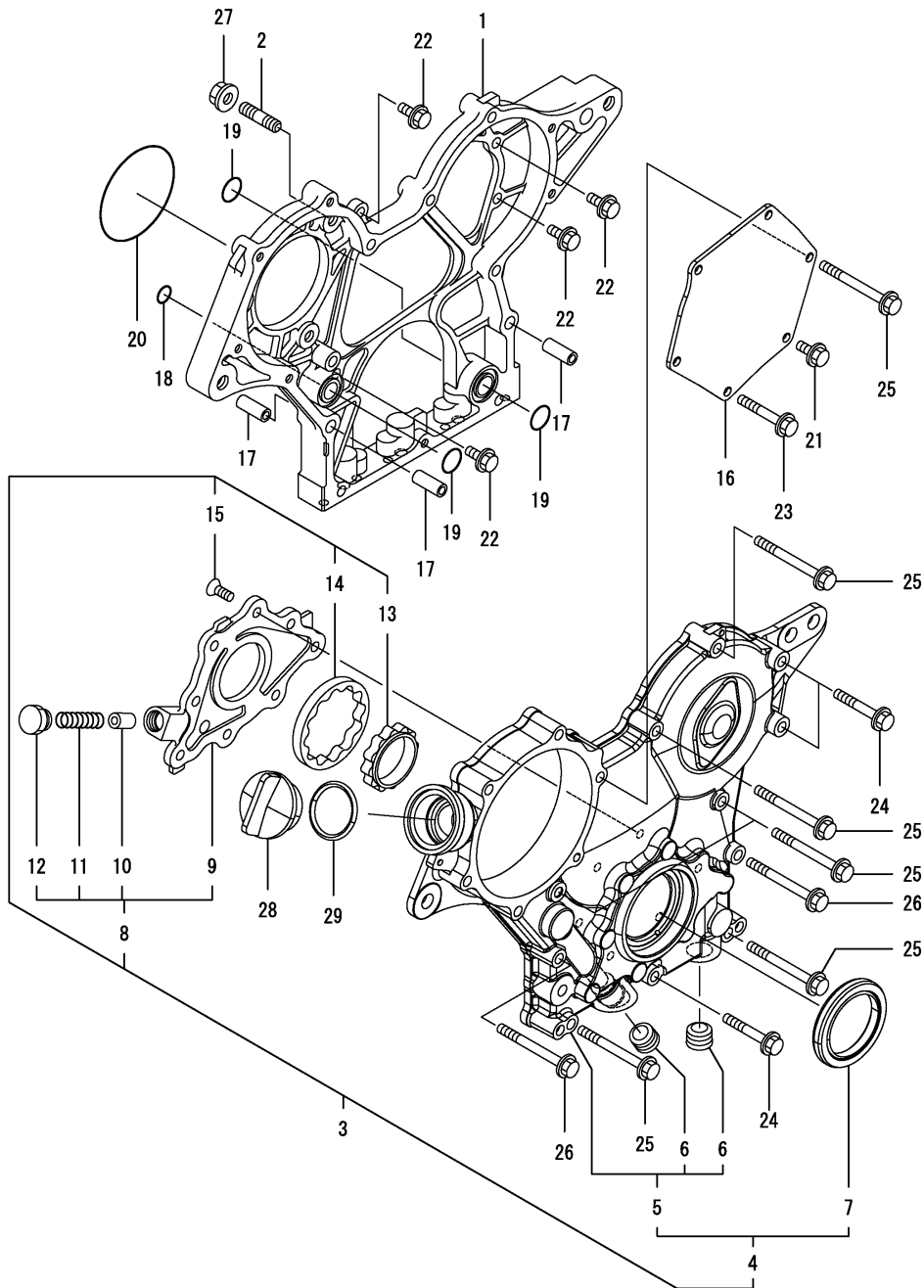
(B)=

(C)=

(D)=

(E)=

(F)=

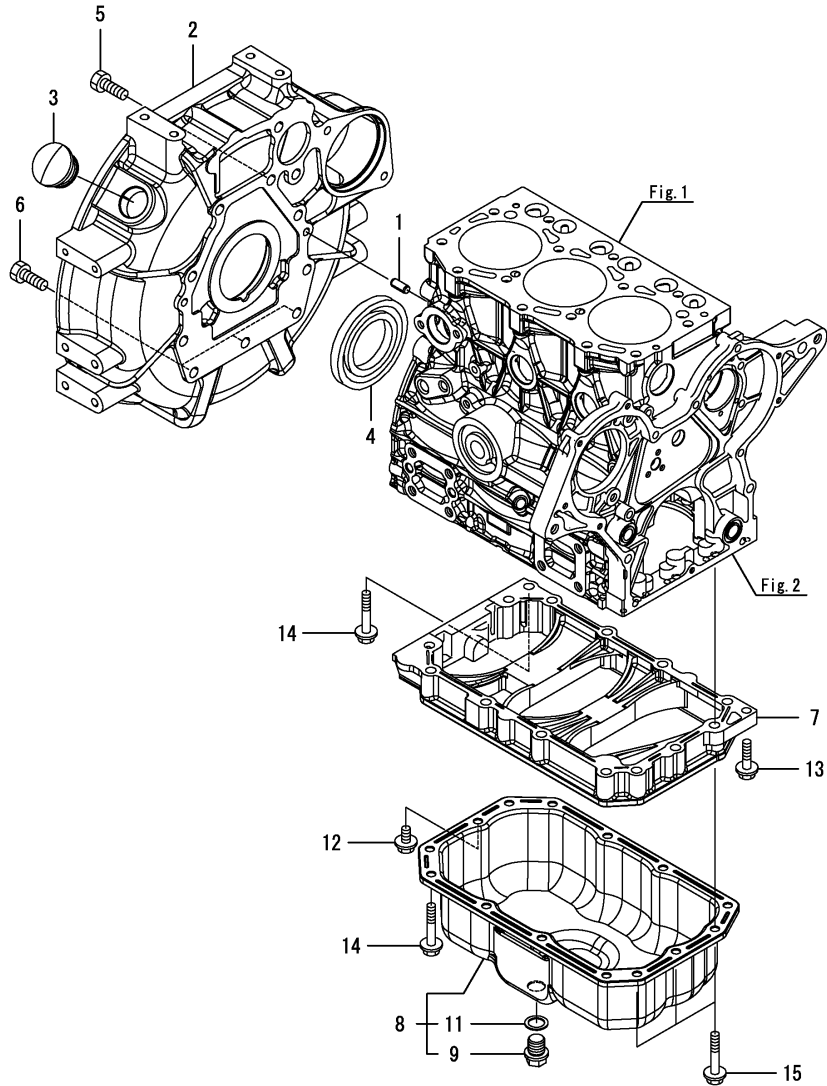


No.	Lev.	Parts No.	Description	Q'ty						I	R
				(A)	(B)	(C)	(D)	(E)	(F)		
1	1	119717-01501	CASE, GEAR	1							
2	1	119717-01570	BOLT, STUD	3							
3	1	119734-01590	COVER ASSY,GEAR CASE	1							
4	2	719734-01500	COVER ASSY,GEAR CASE	1							
5	3	119717-01521	COVER, GEAR CASE	1							
6	4	23876-030000	PLUG, R03	2							
7	3	119717-01800	SEAL, OIL	1							
8	2	119717-32100	COVER ASSY	1							
9	3	119717-32080	COVER, PUMP	1							
10	3	129900-32130	VALVE, RELIEF	1							
11	3	129001-32320	SPRING	1							
12	3	129001-32330	PLUG	1							
13	2	119717-32110	ROTOR, INNER	1							
14	2	119717-32120	ROTOR, OUTER	1							
15	2	119802-32130	SCREW, M6X16	8							
16	1	119717-01750	COVER, PUMP	1							
17	1	119660-01911	PIPE, DOWEL 6X17	4							
18	1	119624-32040	O-RING, P12.0	1							
19	1	119717-32050	O-RING, P17.0	3							
20	1	121850-51960	O-RING	1							
21	1	26106-060122	BOLT, M6X 12 PLATED	1							
22	1	26106-060162	BOLT, M6X 16 PLATED	4							
23	1	26106-060402	BOLT, M6X 40 PLATED	4							
24	1	26106-060402	BOLT, M6X 40 PLATED	3							
25	1	26106-060602	BOLT, M6X 60 PLATED	7							
26	1	26106-060652	BOLT, M6X 65 PLATED	2							
27	1	26306-080002	NUT, M8	3							
28	1	124160-01751	CAP, FILLER	1							
29	1	24311-000320	O-RING, 1AP32.0	1							

Fig.3. FLYWHEEL HOUSING & OIL SUMP

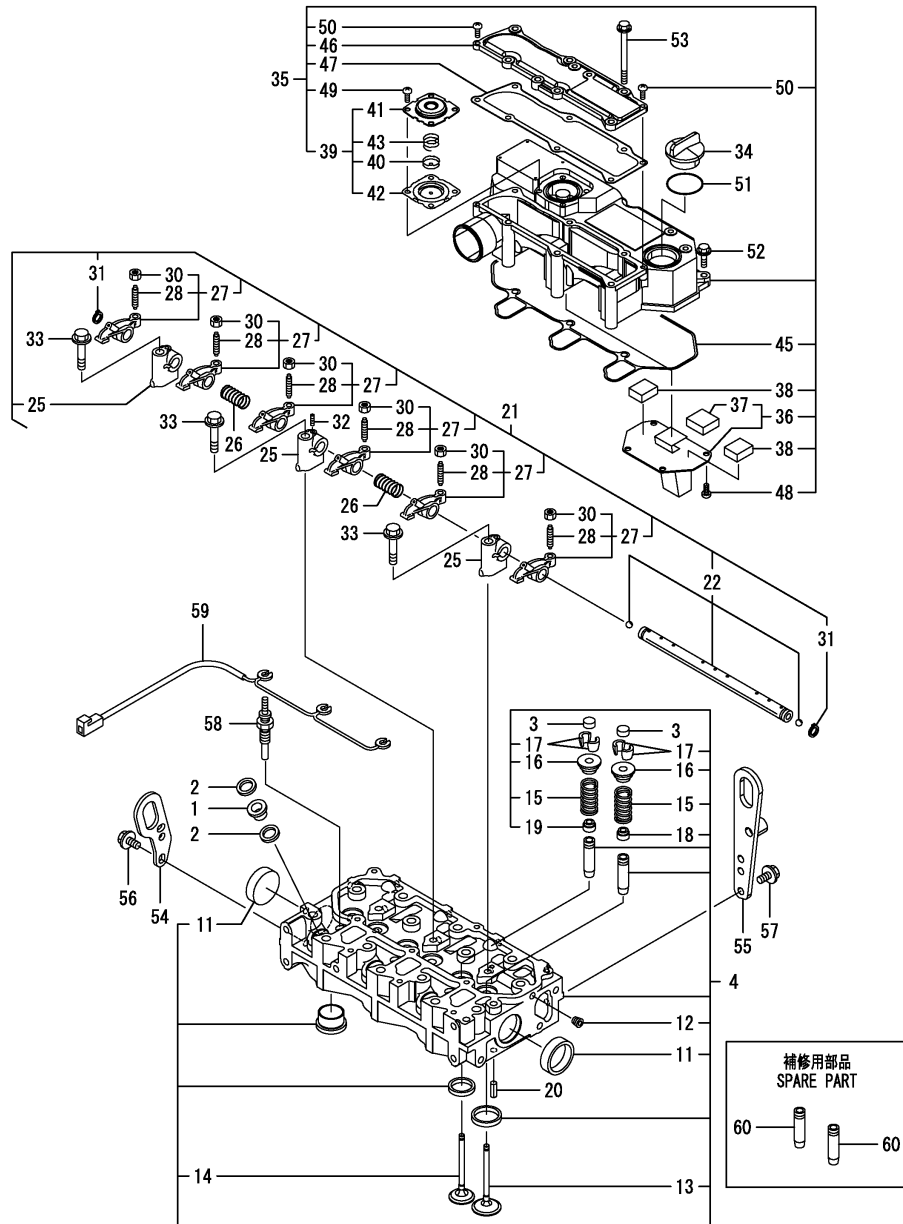
(A)=3TNV80-XPBV
(B)=
(C)=

(D)=
(E)=
(F)=



No.	Lev.	Parts No.	Description	Q'ty						I	R
				(A)	(B)	(C)	(D)	(E)	(F)		
1	1	129100-01580	PIN, PARALLEL 8X16	2							
2	1	119717-01601	HOUSING, FLYWHEEL	1							
3	1	119620-01750	CAP	1							
4	1	124085-02220	SEAL, OIL	1							
5	1	26206-100252	BOLT, M10X 25 PLATED	8							
6	1	26206-100302	BOLT, M10X 30 PLATED	3							
7	1	119717-01720	SPACER, OIL-PAN	1							
8	1	119740-01770	OIL PAN ASSY	1							
9	2	105425-01690	PLUG, M16	1							
11	2	22190-160002	WASHER, SEAL 16	1							
12	1	26106-080122	BOLT, M8X 12 PLATED	1							
13	1	26106-080302	BOLT, M8X 30 PLATED	1							
14	1	26106-080452	BOLT, M8X 45 PLATED	11							
15	1	26106-080502	BOLT, M8X 50 PLATED	3							

Fig.4. CYLINDER HEAD & BONNET



(A)=3TNV80-XPBV
(B)=
(C)=

(D)=
(E)=
(F)=

No.	Lev.	Parts No.	Description	Q'ty						I	R
				(A)	(B)	(C)	(D)	(E)	(F)		
1	1	129901-11450	PROTECTOR, NOZZLE	3							
2	1	119600-11460	GASKET, NOZZLE	6							
3	1	105010-11490	CAP, VALVE	6							
4	1	119E10-11740	HEAD ASSY, CYLINDER	1							
11	2	119285-11990	PLUG, CUP TYPE 35	2							
12	2	23876-005000	PLUG, R005	1							
13	2	119E10-11100	VALVE, SUCTION	3							
14	2	119E10-11110	VALVE, EXHAUST	3							
15	2	119717-11131	SPRING, VALVE	6							
16	2	129508-11180	RETAINER, SPRING	6							
17	2	119717-11190	COTTER, VALVE	12							
18	2	119717-11340	SEAL, VALVE STEM	3							
19	2	119717-11350	SEAL, VALVE STEM	3							
20	1	22351-060012	PIN, SPRING 6.0X12	2							
21	1	119717-11200	SUPPORT ASSY, ROCKER	1							
22	2	119717-11240	SHAFT ASSY, ROCKER	1							
25	2	119717-11260	SUPPORT, ROCKER ARM	3							
26	2	119620-11280	SPRING, ROCKER	2							
27	2	119717-11650	ARM ASSY, ROCKER	6							
28	3	129150-11230	SCREW, VALVE ADJUST	6							
30	3	129150-11750	NUT, M8	6							
31	2	22242-000120	RING, 12	2							
32	2	26979-050162	SCREW, M5X16	1							
33	1	26106-080402	BOLT, M8X 40 PLATED	3							
34	1	124160-01751	CAP, FILLER	1							
35	1	119717-11381	BONNET ASSY, HEAD	1							
36	2	119717-03031	PLATE, BAFFLE	1							
37	3	119717-03070	BAFFLE, BREATHER	1							
38	2	119717-03070	BAFFLE, BREATHER	2							
39	2	119802-03100	DIAPHRAGM ASSY	1							
40	3	119802-03110	PLATE, DIAPHRAGM	1							
41	3	119802-03121	COVER, DIAPHRAGM	1							
42	3	119802-03131	DIAPHRAGM	1							
43	3	119802-03141	SPRING, DIAPHRAGM	1							
45	2	119718-11310	GASKET, BONNET	1							
46	2	119717-11320	COVER, BONNET	1							
47	2	119717-11331	GASKET	1							
48	2	22857-500100	SCREW, 5X10	4							
49	2	22857-500100	SCREW, 5X10	4							
50	2	22857-500160	SCREW, 5X16	2							
51	1	24311-000320	O-RING, 1AP32.0	1							
52	1	26106-060202	BOLT, M6X 20 PLATED	3							
53	1	26106-060752	BOLT, M6X 75 PLATED	6							
54	1	119626-07900	LIFTER, ENGINE	1							
55	1	119940-07900	LIFTER, ENGINE	1							
56	1	26106-080142	BOLT, M8X 14 PLATED	2							
57	1	26106-080162	BOLT, M8X 16 PLATED	2							
58	1	119717-77801	PLUG, GLOW	3							
59	1	119717-77820	CONNECTOR, GLOW PLUG	1							
60	1	119717-11800	GUIDE, VALVE	6							

Remarks

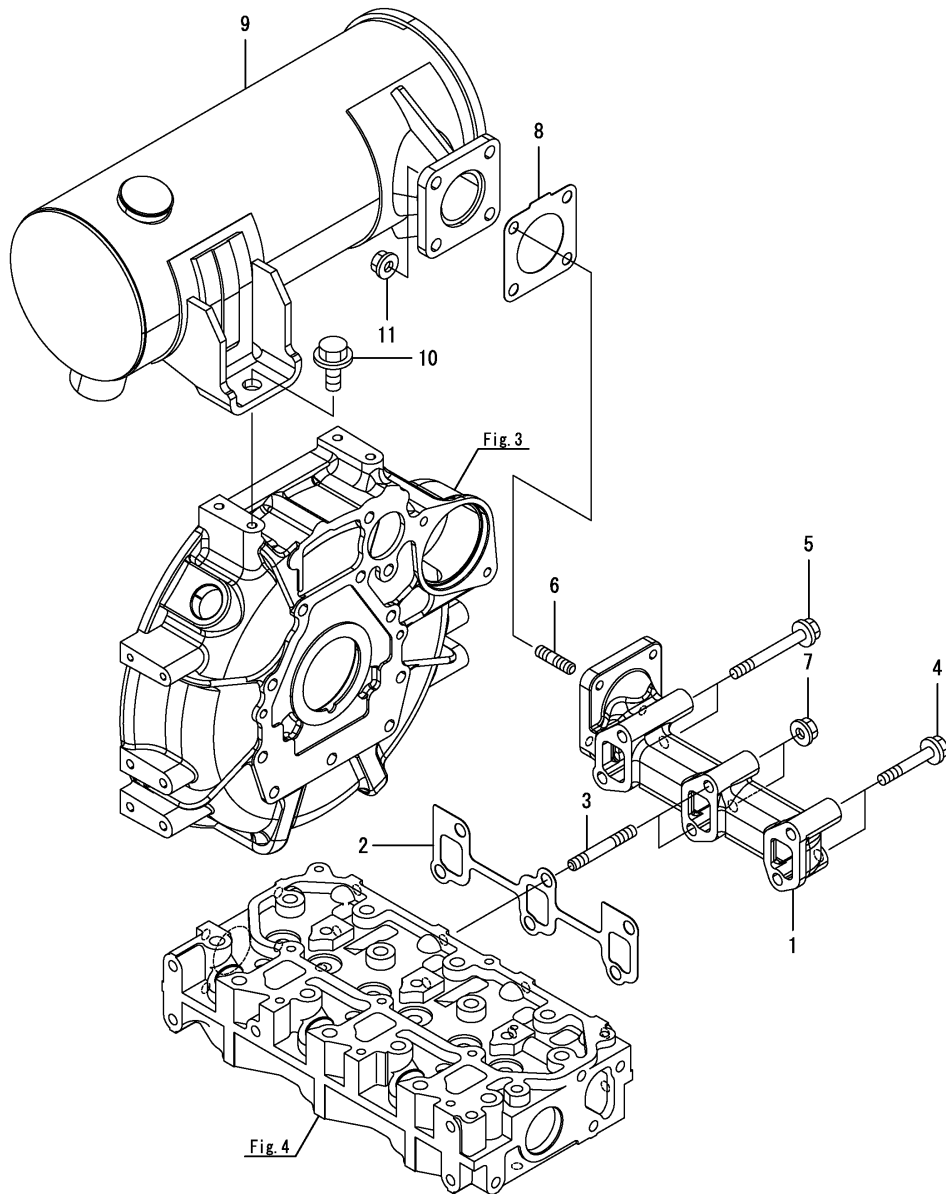
(1) Spare parts.

N:Old $\begin{matrix} \leftarrow \text{Yes} \\ \text{No} \end{matrix}$ New, Q:Old $\begin{matrix} \leftarrow \text{No} \\ \text{Yes} \end{matrix}$ New, R:Old $\begin{matrix} \leftarrow \text{Yes} \\ \text{Yes} \end{matrix}$ New, S:Old $\begin{matrix} \leftarrow \text{No} \\ \text{No} \end{matrix}$ New, W:Add, Z:Discontinued, F:Interchangeable by set, K:Q'ty Change

Fig.5. EXHAUST MANIFOLD & SILENCER

(A)=3TNV80-XPBV
(B)=
(C)=

(D)=
(E)=
(F)=



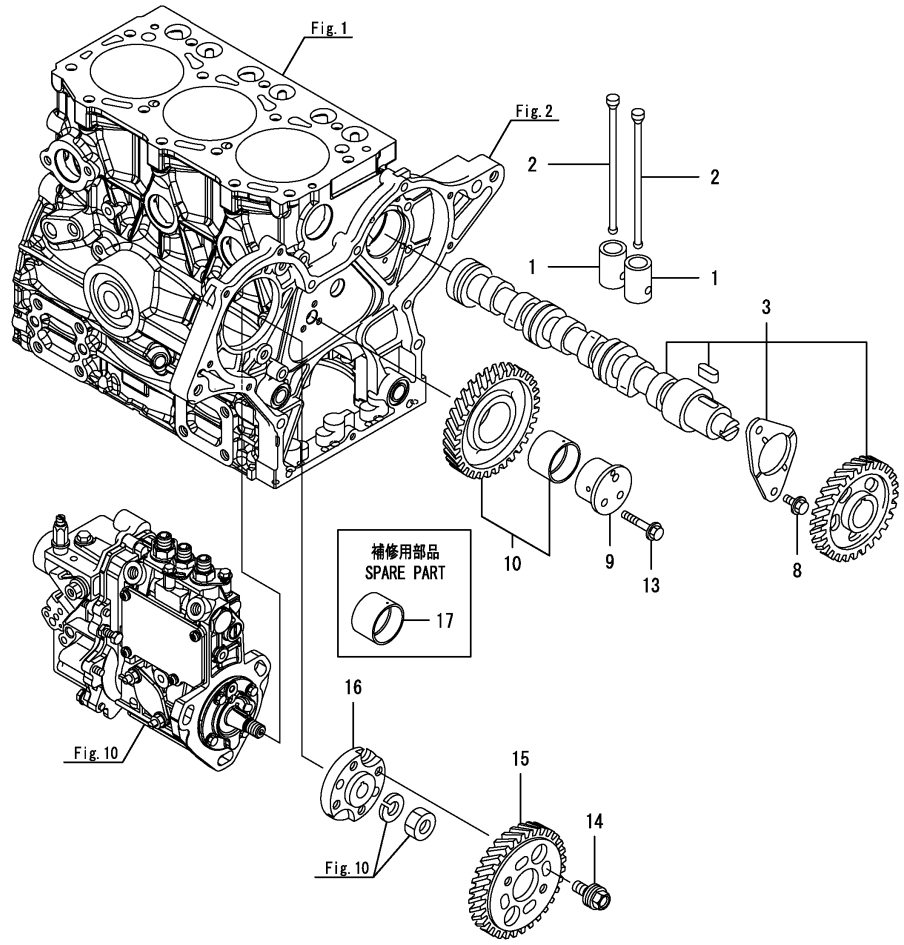
No.	Lev.	Parts No.	Description	Q'ty						I	R
				(A)	(B)	(C)	(D)	(E)	(F)		
1	1	119740-13100	MANIFOLD, EXHAUST	1							
2	1	119717-13110	GASKET, EXH.MANIFOLD	1							
3	1	119717-13600	BOLT, STUD M8X50	2							
4	1	129E00-13610	BOLT, M8X50 10.9	2							
5	1	129E00-13630	BOLT, M8X71 10.9T	2							
6	1	119131-18320	BOLT, STUD M8X22	4							
7	1	26306-080002	NUT, M8	2							
8	1	119515-13200	GASKET, SILENCER	1							
9	1	119740-13511	SILENCER	1							
10	1	26106-100182	BOLT, M10X 18 PLATED	2							
11	1	26306-080002	NUT, M8	4							

Fig.6. CAMSHAFT & DRIVING GEAR

(A)=3TNV80-XPBV
(B)=
(C)=

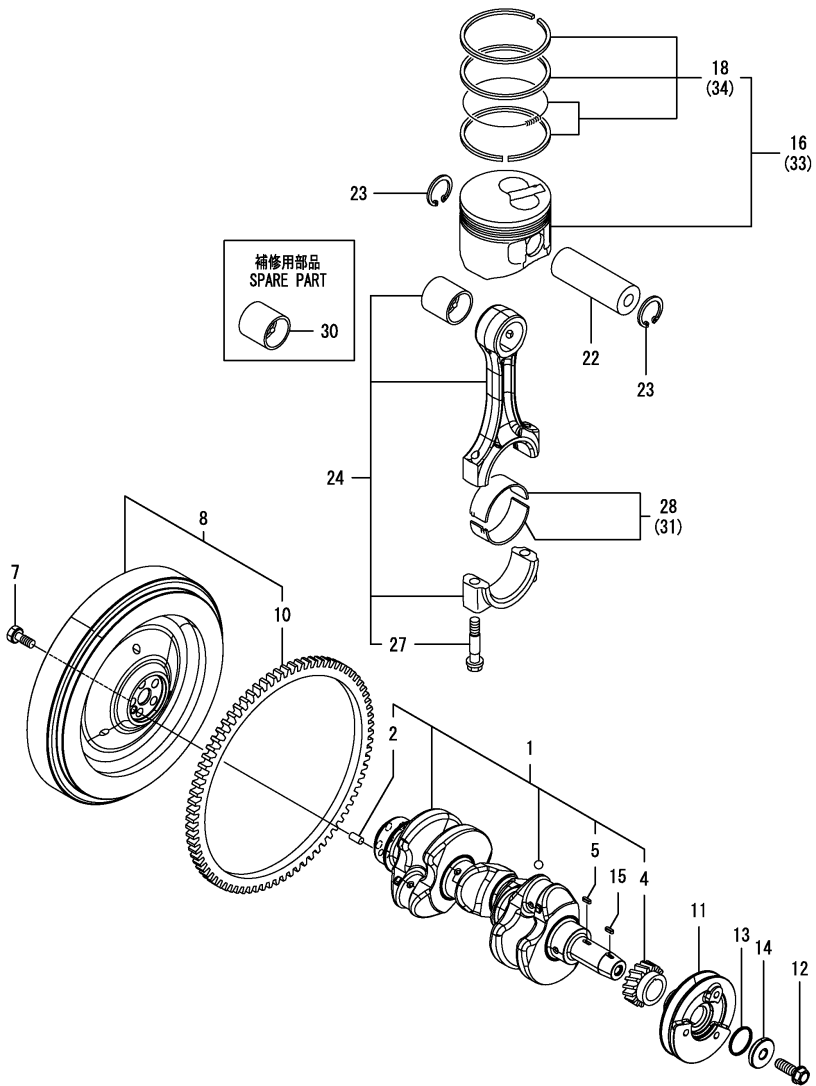
(D)=
(E)=
(F)=

No.	Lev.	Parts No.	Description	Q'ty						I	R
				(A)	(B)	(C)	(D)	(E)	(F)		
1	1	119620-14200	TAPPET	6							
2	1	119717-14400	PUSH-ROD	6							
3	1	119717-14581	CAMSHAFT ASSY	1							
8	1	26106-060122	BOLT, M6X 12 PLATED	2							
9	1	119717-25050	SHAFT, IDLE	1							
10	1	119717-25101	GEAR ASSY, IDLE	1							
13	1	26106-060352	BOLT, M6X 35 PLATED	3							
14	1	129150-25301	BOLT	4							
15	1	119717-25930	GEAR, PUMP	1							
16	1	119717-51150	FLANGE	1							
17	1	119717-25911	BUSH, IDLE GEAR	1							1



Remarks
(1) Spare parts.

Fig.7. CRANKSHAFT & PISTON



(A)=3TNV80-XPBV
(B)=
(C)=

(D)=
(E)=
(F)=

No.	Lev.	Parts No.	Description	Q'ty						I	R
				(A)	(B)	(C)	(D)	(E)	(F)		
1	1	119E10-21700	CRANKSHAFT ASSY	1							
2	2	129100-01580	PIN, PARALLEL 8X16	1							
4	2	119717-21200	GEAR, CRANKSHAFT	1							
5	2	22512-040120	KEY, 4X 12	1							
7	1	121111-21501	BOLT, FLYWHEEL	5							
8	1	119E10-21590	FLYWHEEL ASSY	1							
10	2	119865-21600	GEAR, RING Z=116	1							
11	1	119C10-21650	V-PULLEY, CRANKSHAFT	1							
12	1	119621-21681	BOLT, FLANGE 12X1.25	1							
13	1	119C10-21930	GASKET, WASHER	1							
14	1	119C10-21940	WASHER, V-PULLEY	1							
15	1	22512-040120	KEY, 4X 12	1							
16	1	119E10-22080	PISTON ASSY	3							
18	2	119E10-22500	RING ASSY	3							
22	1	119E10-22300	PIN, PISTON	3							
23	1	22252-000220	RING, 22	6							
24	1	119E10-23000	ROD ASSY, CONNECTING	3							
27	2	119717-23200	BOLT, CONNECTING ROD	6							
28	1	119717-23601	BEARING, CRANK PIN	3							
30	1	119717-23910	BEARING, PISTON PIN	3							1
31	1	119717-23611	METAL ASSY, 0.25	3							2
33	1	119E10-22900	PISTON ASSY, 0.25 OS	3							3
34	2	119E10-22550	RING ASSY, 0.25	3							3

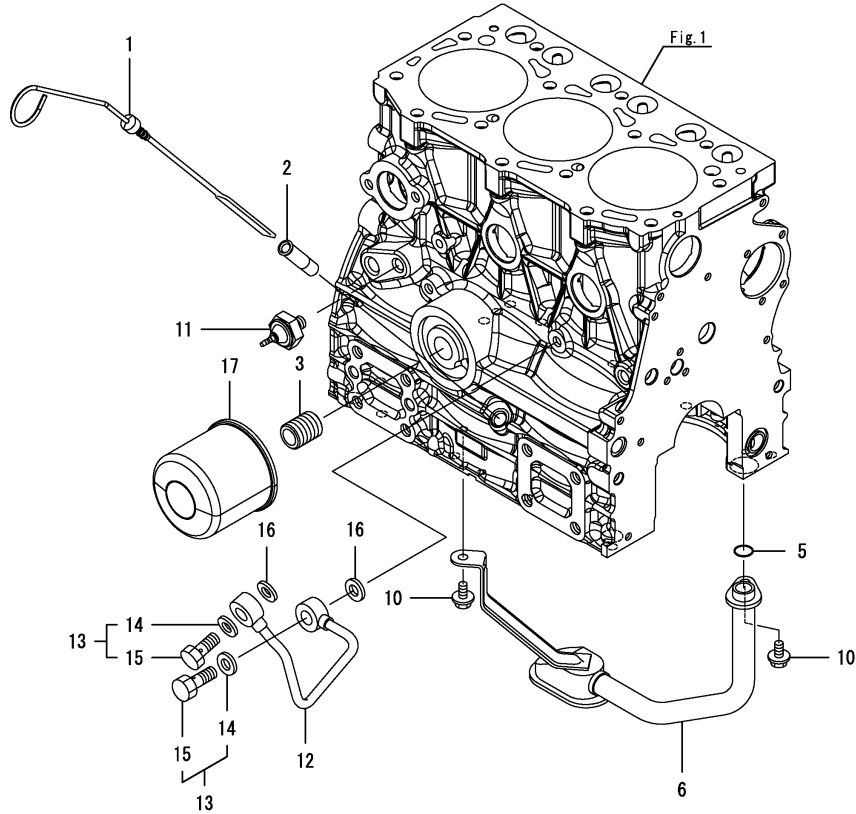
Remarks

- (1) Spare parts.
- (2) Under-sized (U.S.=0.25) parts.
- (3) Over-sized (O.S.=0.25) parts.

Fig.8. LUB. OIL SYSTEM

(A)=3TNV80-XPBV
(B)=
(C)=

(D)=
(E)=
(F)=



No.	Lev.	Parts No.	Description	Q'ty						I	R
				(A)	(B)	(C)	(D)	(E)	(F)		
1	1	119740-34801	DIPSTICK, OIL	1							
2	1	121520-34810	GUIDE, DIPSTICK	1							
3	1	119717-35140	BOLT, STUD	1							
5	1	119717-32060	O-RING, P15.0	1							
6	1	119717-35080	PIPE ASSY, OIL INLET	1							
10	1	26106-060102	BOLT, M6X 10 PLATED	2							
11	1	114250-39450	SWITCH, HYDRAULIC	1							
12	1	119717-39210	PIPE, OIL	1							
13	1	129005-59830	BOLT ASSY, JOINT M8	2							
14	2	22190-080002	WASHER, SEAL 8	2							
15	2	23857-030000	BOLT, JOINT 3	2							
16	1	22190-080002	WASHER, SEAL 8	2							
17	1	119305-35170	FILTER ASSY, D68XL65	1							1

Remarks

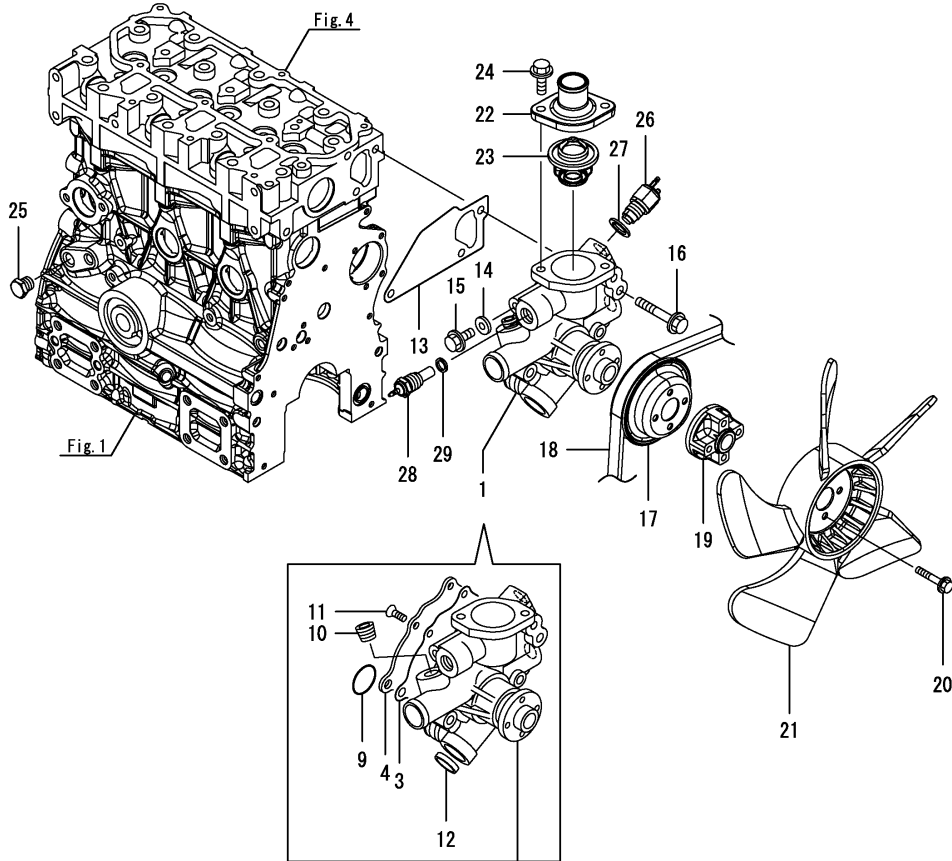
(1)Spare parts.

N:Old $\xrightarrow{\text{Yes}}$ New, Q:Old $\xrightarrow{\text{No}}$ New, R:Old $\xrightarrow{\text{Yes}}$ New, S:Old $\xrightarrow{\text{No}}$ New, W:Add, Z:Discontinued, F:Interchangeable by set, K:Q'ty Change

Fig.9. COOLING WATER SYSTEM

(A)=3TNV80-XPBV
(B)=
(C)=

(D)=
(E)=
(F)=

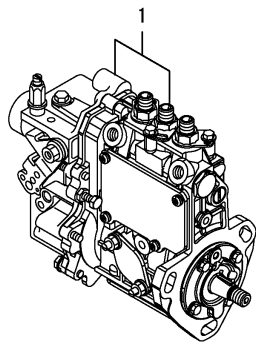
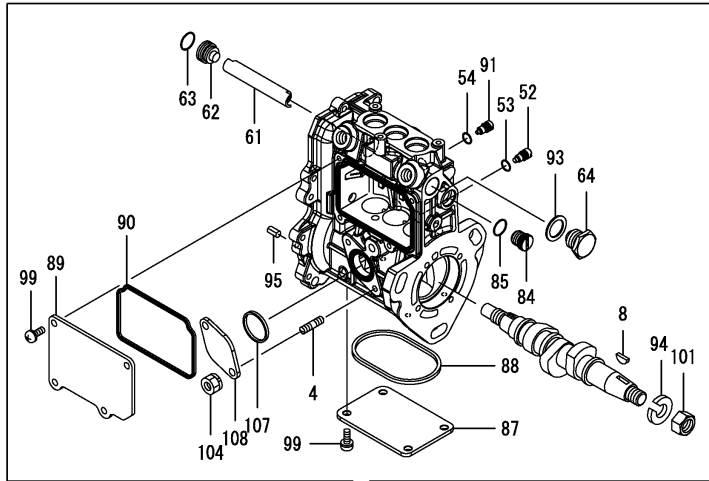


No.	Lev.	Parts No.	Description	Q'ty						I	R
				(A)	(B)	(C)	(D)	(E)	(F)		
1	1	119E10-42000	PUMP ASSY, WATER	1							
3	2	119717-42031	GASKET	1							
4	2	119717-42041	COVER	1							
9	2	119C10-42320	O-RING, 2028	1							
10	2	129916-49740	PLUG, R3/8	1							
11	2	26577-060122	SCREW, M6X12	4							
12	2	27241-250000	PLUG, 25	1							
13	1	119717-42020	GASKET, WATER PUMP	1							
14	1	23414-080000	GASKET, 8X1.0	1							
15	1	26106-080122	BOLT, M8X 12 PLATED	1							
16	1	26106-080502	BOLT, M8X 50 PLATED	3							
17	1	119740-42350	V-PULLEY, D=90	1							
18	1	25152-003500	V-BELT, A35	1							
19	1	171353-44760	SPACER, FAN	1							
20	1	26106-060352	BOLT, M6X 35 PLATED	4							
21	1	119233-44740	FAN, D=290XUH	1							
22	1	129350-49530	COVER, THERMOSTAT	1							
23	1	119717-49800	THERMOSTAT, 71C	1							
24	1	26106-080202	BOLT, M8X 20 PLATED	2							
25	1	171056-49120	PLUG, DRAIN R1/4	1							
26	1	121250-44901	SWITCH, THERMO 110	1							
27	1	124465-44950	GASKET, 16	1							
28	1	171056-49351	SENSOR, WATER TEMP.	1							
29	1	129150-49360	GASKET	1							

Fig.10. FUEL INJECTION PUMP

(A)=3TNV80-XPBV
(B)=
(C)=

(D)=
(E)=
(F)=



No.	Lev.	Parts No.	Description	Q'ty						I	R
				(A)	(B)	(C)	(D)	(E)	(F)		
1	1	719E40-51370	FIE ASSY	1							1
4	2	129155-51020	BOLT, STUD	2							
8	2	122710-51090	FEATHER KEY,WOODRUFF	1							
52	2	158600-51270	STOPPER, TAPPET	3							
53	2	129155-51280	O-RING, S6	3							
54	2	129155-51280	O-RING, S6	1							
61	2	129155-51400	DEFLECTOR	1							
62	2	158600-51410	PLUG, DEFLECTOR	1							
63	2	119717-51420	O-RING	1							
64	2	158600-51420	PLUG, DEFLECTOR	1							
84	2	158600-51570	PLUG, RACK	1							
85	2	129155-51580	O-RING	1							
87	2	129155-51701	COVER	1							
88	2	119717-51711	GASKET	1							
89	2	119717-51750	COVER	1							
90	2	119717-51761	GASKET	1							
91	2	158600-51790	STOPPER, RACK	1							
93	2	22190-160002	WASHER, SEAL 16	1							
94	2	22217-120000	WASHER, SPRING 12	1							
95	2	22351-050010	PIN, SPRING 5.0X10	2							
99	2	26022-050122	SCREW, M5X12	8							
101	2	26716-120002	NUT, M12	1							
104	2	119717-51860	NUT, M6	2							
107	2	129155-52051	GASKET	1							
108	2	129100-52200	COVER, PUMP	1							

Remarks

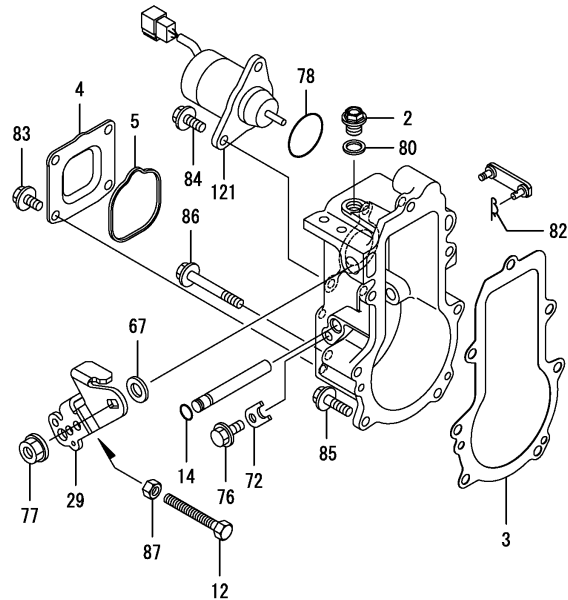
(1)Governor(Fig.11) is incorporated in this Fuel Injection Pump(No.1).

N:Old $\xrightarrow{\text{Yes}}$ New, Q:Old $\xrightarrow{\text{No}}$ New, R:Old $\xrightarrow{\text{Yes}}$ New, S:Old $\xrightarrow{\text{No}}$ New, W:Add, Z:Discontinued, F:Interchangeable by set, K:Q'ty Change

Fig.11. GOVERNOR

(A)=3TNV80-XPBV
(B)=
(C)=

(D)=
(E)=
(F)=



No.	Lev.	Parts No.	Description	Q'ty						I	R
				(A)	(B)	(C)	(D)	(E)	(F)		
2	2	119717-51930	PLUG, M10	1							
3	2	119717-61050	GASKET	1							
4	2	119717-61060	COVER, GOVERNOR CASE	1							
5	2	119717-61070	GASKET	1							
12	2	129155-61460	BOLT, LIMITING	1							
14	2	129155-51280	O-RING, S6	1							
29	2	119740-61440	LEVER, CONTROL	1							
67	2	158552-61700	SHIM SET	1							
72	2	119660-61901	STOPPER, SHAFT	1							
76	2	26106-060102	BOLT, M6X 10 PLATED	1							
77	2	26366-080002	NUT, M8	1							
78	2	158552-61900	O-RING	1							
80	2	22190-100002	WASHER, SEAL 10	1							
82	2	22372-040000	PIN, SNAP 4	1							
83	2	26106-060102	BOLT, M6X 10 PLATED	4							
84	2	26106-060142	BOLT, M6X 14 PLATED	2							
85	2	26106-060202	BOLT, M6X 20 PLATED	4							
86	2	26106-060452	BOLT, M6X 45 PLATED	3							
87	2	26756-060002	NUT, LOCK M6	1							
121	2	119233-77932	SOLENOID, STOP	1							

Remarks

* This figure(Governor) is incorporated in the Fuel Injection Pump(Fig.10).

N:Old $\xrightarrow{\text{Yes}}$ New, Q:Old $\xrightarrow{\text{No}}$ New, R:Old $\xrightarrow{\text{Yes}}$ New, S:Old $\xrightarrow{\text{No}}$ New, W:Add, Z:Discontinued, F:Interchangeable by set, K:Q'ty Change

Fig.12. FUEL INJECTION VALVE

(A)=3TNV80-XPBV

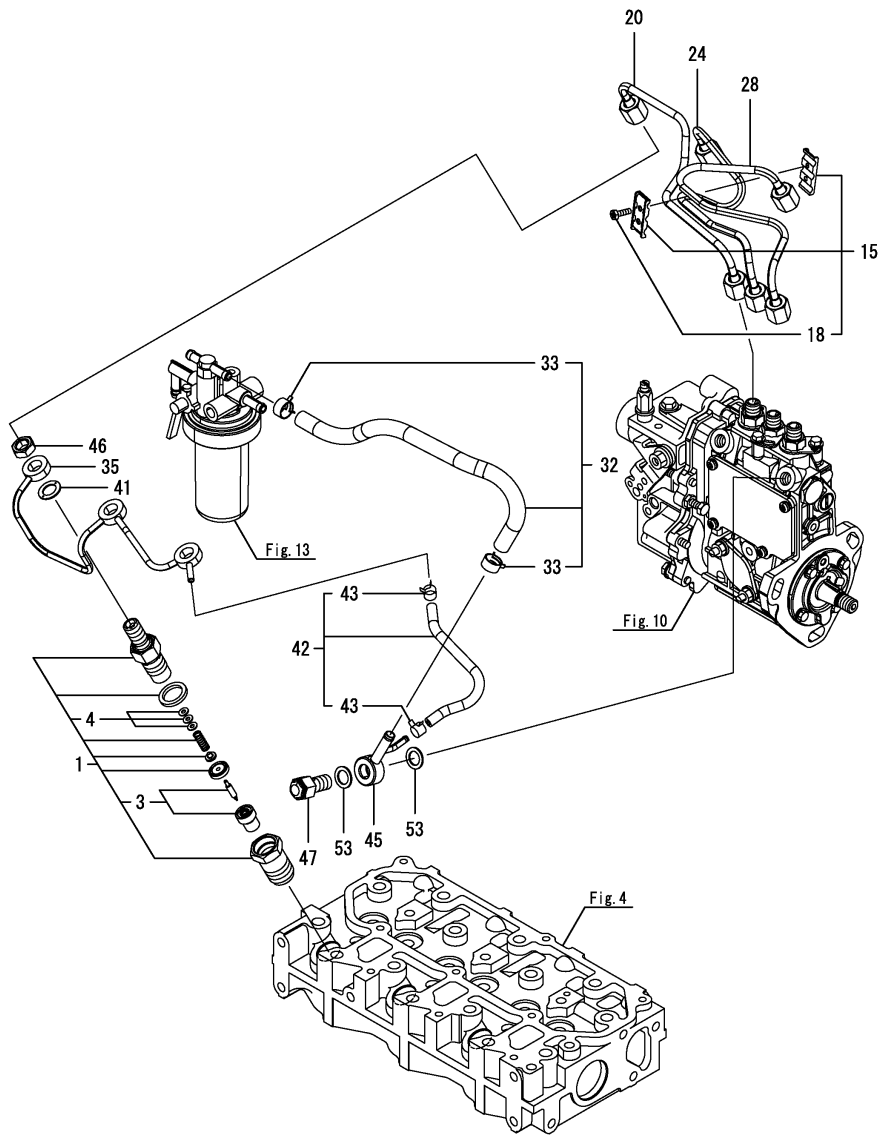
(B)=

(C)=

(D)=

(E)=

(F)=



No.	Lev.	Parts No.	Description	Q'ty						I	R
				(A)	(B)	(C)	(D)	(E)	(F)		
1	1	119517-53001	VALVE ASSY,INJECTION	3							
3	2	119517-53010	NOZZLE	3							
4	2	129901-53800	SHIM SET, ADJUSTING	3							1
15	1	129150-59120	RETAINER, PIPE	1							
18	2	129150-59131	BOLT, M4X14	2							
20	1	119E10-59810	PIPE ASSY,INJ.NO1	1							
24	1	119E10-59820	PIPE ASSY,INJ.NO2	1							
28	1	119E10-59830	PIPE ASSY,INJ.NO3	1							
32	1	129210-59100	HOSE ASSY, FUEL	1							
33	2	124766-59050	CLAMP, HOSE 11.5	2							
35	1	119717-59510	PIPE ASSY, RETURN	1							
41	1	129901-59560	GASKET	3							
42	1	119540-59570	HOSE ASSY, RETURN	1							
43	2	124066-59100	CLAMP, HOSE 8	2							
45	1	119840-59570	JOINT	1							
46	1	119620-59700	NUT, NOZZLE	3							
47	1	119813-59950	VALVE ASSY, CHECK	1							
53	1	22190-120002	WASHER, SEAL 12	2							

Remarks

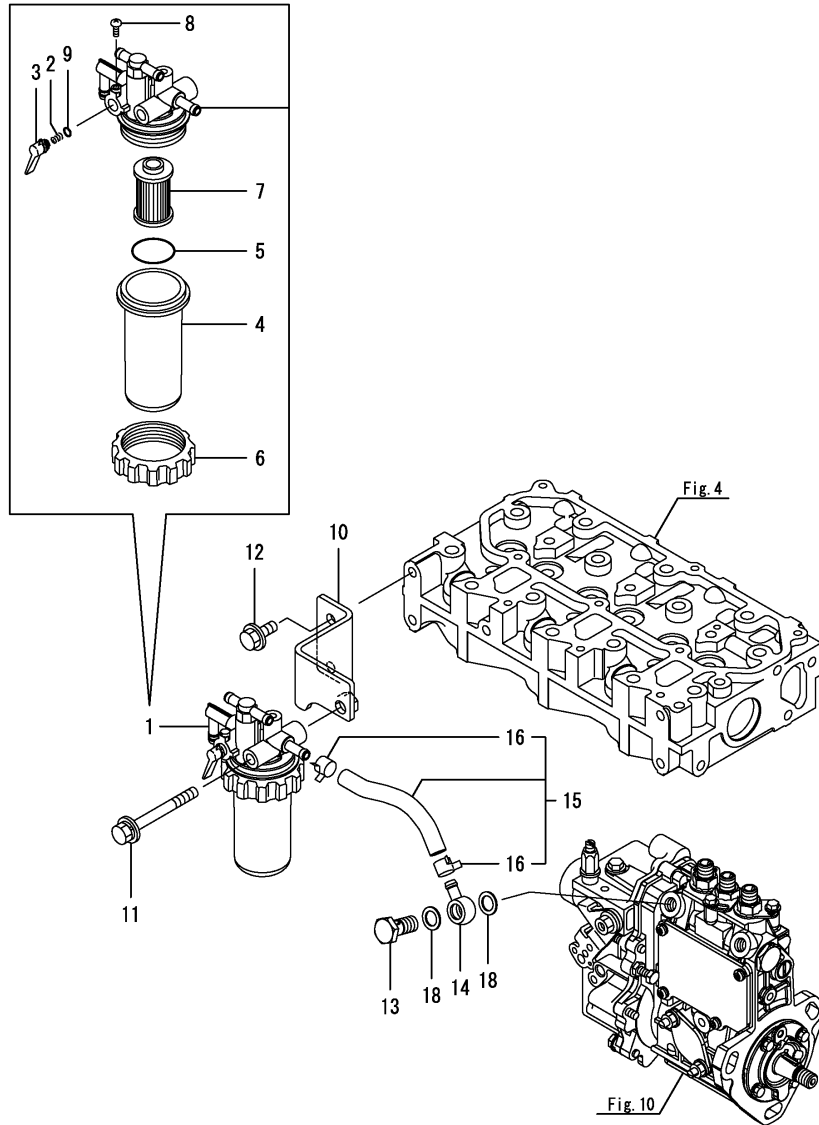
(1) Spare parts.

N:Old $\xrightarrow{\text{Yes}}$ New, Q:Old $\xrightarrow{\text{No}}$ New, R:Old $\xrightarrow{\text{Yes}}$ New, S:Old $\xrightarrow{\text{No}}$ New, W:Add, Z:Discontinued, F:Interchangeable by set, K:Q'ty Change

Fig.13. FUEL PIPE

(A)=3TNV80-XPBV
(B)=
(C)=

(D)=
(E)=
(F)=

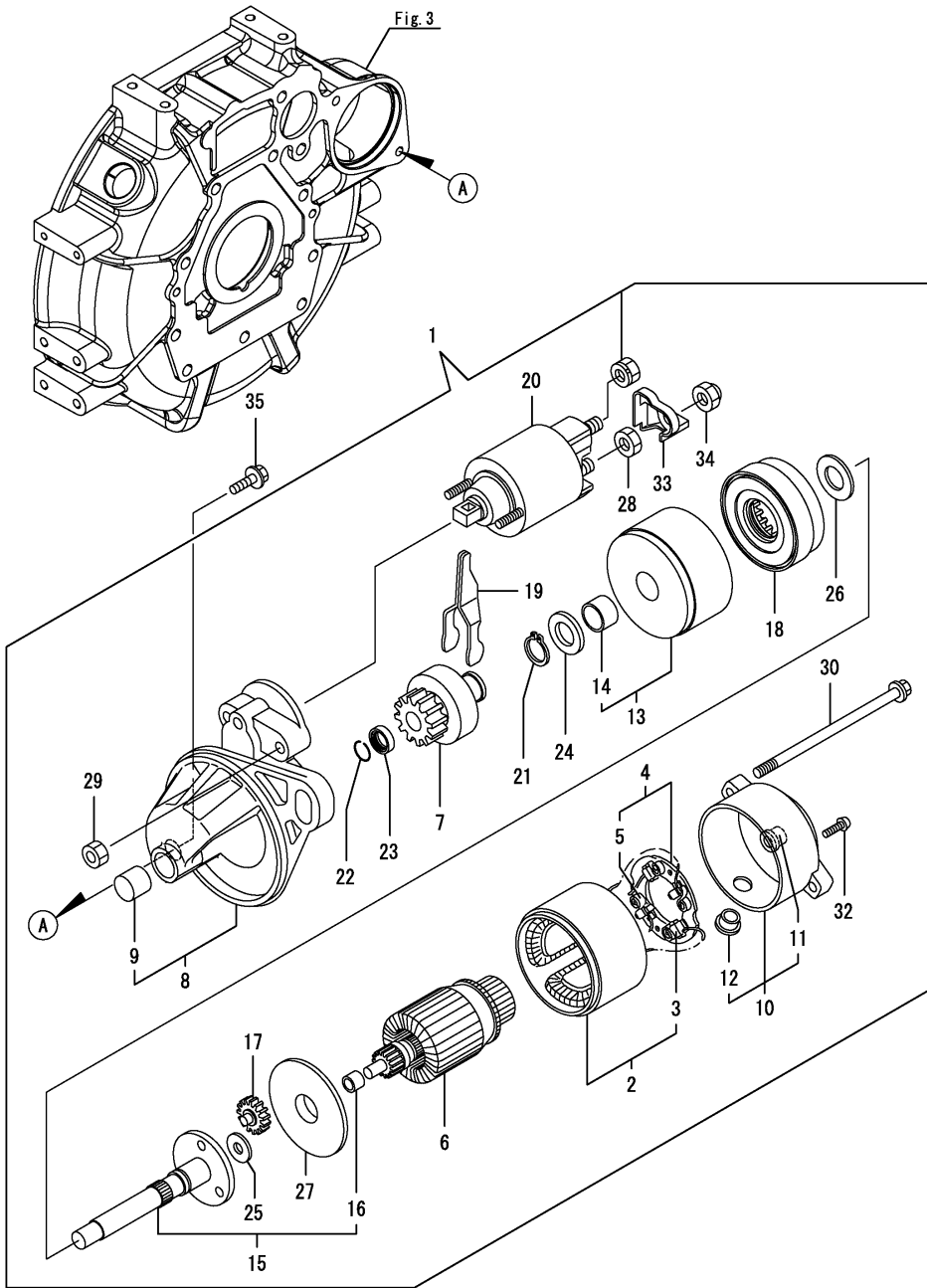


No.	Lev.	Parts No.	Description	Q'ty						I	R
				(A)	(B)	(C)	(D)	(E)	(F)		
1	1	119740-55601	STRAINER ASSY	1							
2	2	104200-55330	SPRING, FUEL VALVE	1							
3	2	119810-55340	LEVER, FUEL	1							
4	2	121254-55510	CUP, FUEL STARINER	1							
5	2	102103-55520	O-RING	1							
6	2	110250-55610	RING, CUP RETAINING	1							
7	2	119810-55650	ELEMENT	1							
8	2	104200-55750	SCREW, PAN M4	1							
9	2	24311-240100	O-RING, 1AP10A	1							
10	1	119E40-55660	BRACKET, FUEL FILTER	1							
11	1	26014-080702	BOLT, M8X 70	1							
12	1	26106-080142	BOLT, M8X 14 PLATED	2							
13	1	103854-39140	BOLT, PIPE JOINT	1							
14	1	101304-59020	JOINT, PIPE 12	1							
15	1	129210-59020	PIPE ASSY, FUEL	1							
16	2	124766-59050	CLAMP, HOSE 11.5	2							
18	1	22190-120002	WASHER, SEAL 12	2							

Fig.14. STARTER MOTOR

(A)=3TNV80-XPBV
(B)=
(C)=

(D)=
(E)=
(F)=



No.	Lev.	Parts No.	Description	Q'ty						I	R
				(A)	(B)	(C)	(D)	(E)	(F)		
1	1	119717-77010	STARTER ASSY	1							
2	2	X0281007750	YOKE ASSY	1							
3	3	X0280996180	STARTER KIT	2							
4	2	X0285105190	HOLDER ASSY	1							
5	3	X0285205030	SPRING	4							
6	2	X0282005991	ARMATURE ASSY	1							
7	2	X0283006960	CLUTCH ASSY	1							
8	2	X4284001590	HOUSING ASSY	1							
9	3	X9491050100	BEARING, NEEDLE	1							
10	2	X0285007030	FRAME ASSY	1							
11	3	X9491040990	BEARING	1							
12	3	X0280626010	COVER	1							
13	2	X0284105040	BEARING ASSY	1							
14	3	X9491034330	BEARING	1							
15	2	X0286105010	SHAFT ASSY	1							
16	3	X9491034320	BEARING	1							
17	2	X0286305010	GEAR	3							
18	2	X0286355010	GEAR	1							
19	2	X0287405140	LEVER	1							
20	2	X2534000090	SWITCH ASSY	1							
21	2	X9055715000	RING	1							
22	2	X9490721360	RING	1							
23	2	X0280210331	NUT	1							
24	2	X9490138110	WASHER	1							
25	2	X9490138090	WASHER	1							
26	2	X9490138100	WASHER	1							
27	2	X0284525010	PLATE	1							
28	2	X9490562360	NUT	1							
29	2	X9490560750	NUT	2							
30	2	X9490423420	BOLT, THROUGH	2							
32	2	X9490065670	SCREW, M4X6	2							
33	2	X1280330020	COVER, TERMINAL	1							
34	2	X1289510130	NUT	1							
35	1	26106-100252	BOLT, M10X 25 PLATED	2							

Fig.15. GENERATOR

(A)=3TNV80-XPBV

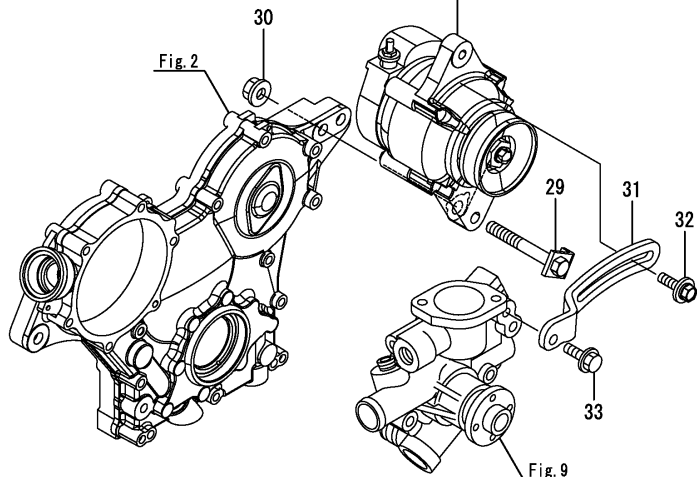
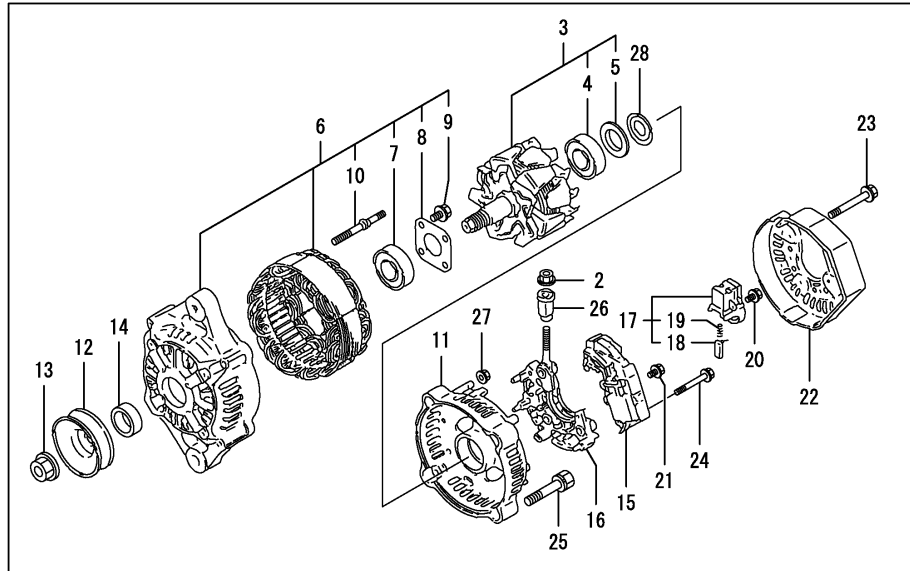
(B)=

(C)=

(D)=

(E)=

(F)=

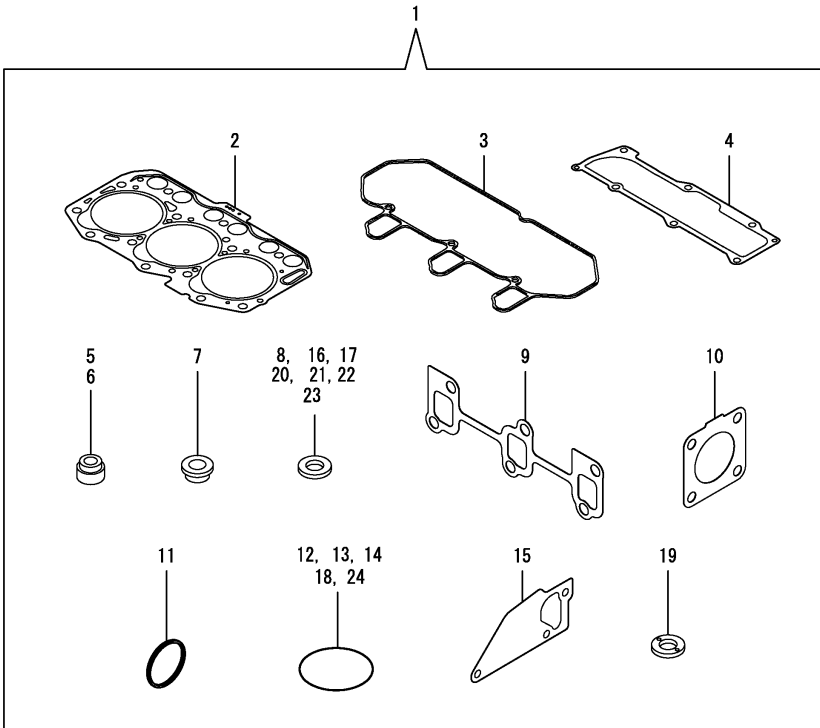


No.	Lev.	Parts No.	Description	Q'ty						I	R
				(A)	(B)	(C)	(D)	(E)	(F)		
1	1	129423-77200	GENERATOR ASSY, 40A	1							
2	2	X9490561001	NUT	1							
3	2	119620-77380	ROTOR ASSY	1							
4	3	123501-79240	BEARING, BALL	1							
5	3	119620-79250	COVER, BEARING	1							
6	2	119620-77421	FRAME ASSY,GENERATOR	1							
7	3	119620-79200	BEARING, BALL	1							
8	3	119620-79210	RETAINER	1							
9	3	119620-79220	SCREW	4							
10	3	119620-79230	BOLT, STUD	2							
11	2	119620-77440	FRAME ASSY	1							
12	2	119620-77461	PULLEY, GENERATOR	1							
13	2	119620-77471	NUT	1							
14	2	119620-77490	COLLAR	1							
15	2	129423-77710	REGULATOR ASSY	1							
16	2	119620-79260	HOLDER	1							
17	2	129052-79270	HOLDER, BRUSH	1							
18	3	119620-77480	BRUSH	2							
19	3	119620-79280	SPRING	2							
20	2	119620-79290	SCREW	6							
21	2	119620-79300	SCREW	1							
22	2	129240-79300	COVER	1							
23	2	119620-79310	BOLT	3							
24	2	119620-79320	SCREW	2							
25	2	119620-79330	BOLT	2							
26	2	119620-79340	BUSH, INSULATION	1							
27	2	119620-79350	NUT	2							
28	2	119620-79360	WASHER, THRUST	1							
29	1	119740-77251	BOLT, M10X80	1							
30	1	26306-100002	NUT, M10	1							
31	1	119717-77330	ADJUSTER	1							
32	1	119810-77340	BOLT, ADJUST L=30	1							
33	1	26106-080202	BOLT, M8X 20 PLATED	1							

Fig.16. GASKET SET

(A)=3TNV80-XPBV
(B)=
(C)=

(D)=
(E)=
(F)=



No.	Lev.	Parts No.	Description	Q'ty						I	R
				(A)	(B)	(C)	(D)	(E)	(F)		
1	1	719E21-92601	GASKET KIT	1							1
2	2	119E10-01330	GASKET SET, HEAD	1							
3	2	119718-11310	GASKET, BONNET	1							
4	2	119717-11331	GASKET	1							
5	2	119717-11340	SEAL, VALVE STEM	3							
6	2	119717-11350	SEAL, VALVE STEM	3							
7	2	129901-11450	PROTECTOR, NOZZLE	3							
8	2	119600-11460	GASKET, NOZZLE	6							
9	2	119717-13110	GASKET, EXH.MANIFOLD	1							
10	2	119515-13200	GASKET, SILENCER	1							
11	2	119C10-21930	GASKET, WASHER	1							
12	2	119624-32040	O-RING, P12.0	1							
13	2	119717-32050	O-RING, P17.0	3							
14	2	119717-32060	O-RING, P15.0	1							
15	2	119717-42020	GASKET, WATER PUMP	1							
16	2	124465-44950	GASKET, 16	1							
17	2	129150-49360	GASKET	1							
18	2	121850-51960	O-RING	1							
19	2	129901-59560	GASKET	3							
20	2	22190-080002	WASHER, SEAL 8	4							
21	2	22190-120002	WASHER, SEAL 12	4							
22	2	22190-160002	WASHER, SEAL 16	1							
23	2	23414-080000	GASKET, 8X1.0	1							
24	2	24311-000320	O-RING, 1AP32.0	2							

Remarks

(1)Optional parts.

Parts No. Index

Parts No.	Fig. No.	Ref. No.
101304-59020	13	14
102103-55520	13	5
103854-39140	13	13
104200-55330	13	2
104200-55750	13	8
105010-11490	4	3
105311-01090	1	4
105425-01690	3	9
110250-55610	13	6
114250-39450	8	11
119131-18320	5	6
119233-44740	9	21
119233-77932	11	121
119285-01990	1	6
119285-11990	4	11
119305-35170	8	17
119515-13200	5	8
	16	10
119517-53001	12	1
119517-53010	12	3
119540-59570	12	42
119600-11460	4	2
	16	8
119620-01750	3	3
119620-02020	1	7
119620-11280	4	26
119620-14200	6	1
119620-59700	12	46
119620-77380	15	3
119620-77421	15	6
119620-77440	15	11
119620-77461	15	12
119620-77471	15	13
119620-77480	15	18
119620-77490	15	14
119620-79200	15	7
119620-79210	15	8
119620-79220	15	9
119620-79230	15	10
119620-79250	15	5
119620-79260	15	16
119620-79280	15	19
119620-79290	15	20
119620-79300	15	21
119620-79310	15	23
119620-79320	15	24
119620-79330	15	25
119620-79340	15	26
119620-79350	15	27
119620-79360	15	28

Parts No.	Fig. No.	Ref. No.
119621-21681	7	12
119623-01250	1	5
119624-32040	2	18
	16	12
119626-07900	4	54
119660-01911	2	17
119660-61901	11	72
119717-01501	2	1
119717-01521	2	5
119717-01570	2	2
119717-01601	3	2
119717-01720	3	7
119717-01750	2	16
119717-01800	2	7
119717-02411	1	10
119717-02930	1	23
119717-03031	4	36
119717-03070	4	37
		38
119717-11131	4	15
119717-11190	4	17
119717-11200	4	21
119717-11240	4	22
119717-11260	4	25
119717-11320	4	46
119717-11331	4	47
	16	4
119717-11340	4	18
	16	5
119717-11350	4	19
	16	6
119717-11381	4	35
119717-11650	4	27
119717-11800	4	60
119717-13110	5	2
	16	9
119717-13600	5	3
119717-14400	6	2
119717-14581	6	3
119717-21200	7	4
119717-23200	7	27
119717-23601	7	28
119717-23611	7	31
119717-23910	7	30
119717-25050	6	9
119717-25101	6	10
119717-25911	6	17
119717-25930	6	15
119717-32050	2	19
	16	13

Parts No.	Fig. No.	Ref. No.
119717-32060	8	5
	16	14
119717-32080	2	9
119717-32100	2	8
119717-32110	2	13
119717-32120	2	14
119717-35080	8	6
119717-35140	8	3
119717-39210	8	12
119717-42020	9	13
	16	15
119717-42031	9	3
119717-42041	9	4
119717-49800	9	23
119717-51150	6	16
119717-51420	10	63
119717-51711	10	88
119717-51750	10	89
119717-51761	10	90
119717-51860	10	104
119717-51930	11	2
119717-59510	12	35
119717-61050	11	3
119717-61060	11	4
119717-61070	11	5
119717-77010	14	1
119717-77330	15	31
119717-77801	4	58
119717-77820	4	59
119718-11310	4	45
	16	3
119734-01590	2	3
119740-01770	3	8
119740-13100	5	1
119740-13511	5	9
119740-34801	8	1
119740-42350	9	17
119740-55601	13	1
119740-61440	11	29
119740-77251	15	29
119802-03100	4	39
119802-03110	4	40
119802-03121	4	41
119802-03131	4	42
119802-03141	4	43
119802-32130	2	15
119810-01200	1	26
119810-02941	1	34
119810-55340	13	3
119810-55650	13	7

Parts No.	Fig. No.	Ref. No.
119810-77340	15	32
119813-59950	12	47
119840-59570	12	45
119865-21600	7	10
119940-07900	4	55
119C10-21650	7	11
119C10-21930	7	13
	16	11
119C10-21940	7	14
119C10-42320	9	9
119E00-01560	1	1
119E10-01330	1	27
	16	2
119E10-11100	4	13
119E10-11110	4	14
119E10-11740	4	4
119E10-21590	7	8
119E10-21700	7	1
119E10-22080	7	16
119E10-22300	7	22
119E10-22500	7	18
119E10-22550	7	34
119E10-22900	7	33
119E10-23000	7	24
119E10-42000	9	1
119E10-59810	12	20
119E10-59820	12	24
119E10-59830	12	28
119E40-55660	13	10
121111-21501	7	7
121250-44901	9	26
121254-55510	13	4
121520-34810	8	2
121850-51960	2	20
	16	18
122710-51090	10	8
123501-79240	15	4
124060-01050	1	11
124066-59100	12	43
124085-02220	3	4
124160-01751	2	28
	4	34
124160-01910	1	12
124465-44950	9	27
	16	16
124766-59050	12	33
	13	16
129001-32320	2	11
129001-32330	2	12
129005-59830	8	13

Parts No. Index

Parts No.	Fig. No.	Ref. No.
129052-79270	15	17
129100-01580	3	1
	7	2
129100-52200	10	108
129150-11230	4	28
129150-11750	4	30
129150-25301	6	14
129150-49360	9	29
	16	17
129150-59120	12	15
129150-59131	12	18
129155-51020	10	4
129155-51280	10	53
		54
	11	14
129155-51400	10	61
129155-51580	10	85
129155-51701	10	87
129155-52051	10	107
129155-61460	11	12
129210-59020	13	15
129210-59100	12	32
129240-79300	15	22
129350-49530	9	22
129423-77200	15	1
129423-77710	15	15
129508-11180	4	16
129900-32130	2	10
129901-11450	4	1
	16	7
129901-53800	12	4
129901-59560	12	41
	16	19
129916-49740	9	10
129E00-13610	5	4
129E00-13630	5	5
158552-61700	11	67
158552-61900	11	78
158600-51270	10	52
158600-51410	10	62
158600-51420	10	64
158600-51570	10	84
158600-51790	10	91
171056-49120	9	25
171056-49351	9	28
171353-44760	9	19
22190-080002	8	14
		16
	16	20
22190-100002	11	80

Parts No.	Fig. No.	Ref. No.
22190-120002	12	53
	13	18
	16	21
22190-160002	3	11
	10	93
	16	22
22217-120000	10	94
22242-000120	4	31
22252-000220	7	23
22351-050010	10	95
22351-060012	4	20
22372-040000	11	82
22512-040120	7	5
		15
22857-500100	4	48
		49
22857-500160	4	50
23414-080000	9	14
	16	23
23857-030000	8	15
23876-005000	4	12
23876-030000	2	6
24311-000320	2	29
	4	51
	16	24
24311-240100	13	9
25152-003500	9	18
26014-080702	13	11
26022-050122	10	99
26106-060102	8	10
	11	76
		83
26106-060122	2	21
	6	8
26106-060142	11	84
26106-060162	2	22
26106-060202	4	52
	11	85
26106-060352	6	13
	9	20
26106-060402	2	23
		24
26106-060452	11	86
26106-060602	2	25
26106-060652	2	26
26106-060752	4	53
26106-080122	3	12
	9	15
26106-080142	4	56
	13	12

Parts No.	Fig. No.	Ref. No.
26106-080162	4	57
26106-080202	9	24
	15	33
26106-080302	3	13
26106-080402	4	33
26106-080452	3	14
26106-080502	3	15
	9	16
26106-100182	5	10
26106-100252	14	35
26206-100252	3	5
26206-100302	3	6
26306-080002	2	27
	5	7
		11
26306-100002	15	30
26366-080002	11	77
26577-060122	9	11
26716-120002	10	101
26756-060002	11	87
26979-050162	4	32
27241-120000	1	13
27241-250000	9	12
719717-02901	1	28
719717-02911	1	31
719734-01500	2	4
719E21-92601	16	1
719E40-51370	10	1
X0280210331	14	23
X0280626010	14	12
X0280996180	14	3
X0281007750	14	2
X0282005991	14	6
X0283006960	14	7
X0284105040	14	13
X0284525010	14	27
X0285007030	14	10
X0285105190	14	4
X0285205030	14	5
X0286105010	14	15
X0286305010	14	17
X0286355010	14	18
X0287405140	14	19
X1280330020	14	33
X1289510130	14	34
X2534000090	14	20
X4284001590	14	8
X9055715000	14	21
X9490065670	14	32
X9490138090	14	25

Parts No.	Fig. No.	Ref. No.
X9490138100	14	26
X9490138110	14	24
X9490423420	14	30
X9490560750	14	29
X9490561001	15	2
X9490562360	14	28
X9490721360	14	22
X9491034320	14	16
X9491034330	14	14
X9491040990	14	11
X9491050100	14	9