

0CB50-M00070EN

Contents

OCB50-M00070

Fig. No. Fig. Name

Fig. No. Fig. Name

ENGINE

1. CYLINDER BLOCK
2. GEAR HOUSING
3. FLYWHEEL HOUSING & OIL SUMP
4. CYLINDER HEAD & BONNET
5. EXHAUST MANIFOLD
6. CAMSHAFT & DRIVING GEAR
7. CRANKSHAFT & PISTON
8. LUB. OIL SYSTEM
9. COOLING WATER SYSTEM
10. FUEL INJECTION PUMP
11. GOVERNOR
12. FUEL INJECTION VALVE
13. STARTER MOTOR
14. GENERATOR
15. GASKET SET

Fig.1. CYLINDER BLOCK

(A)=3TNV74F-SPBV

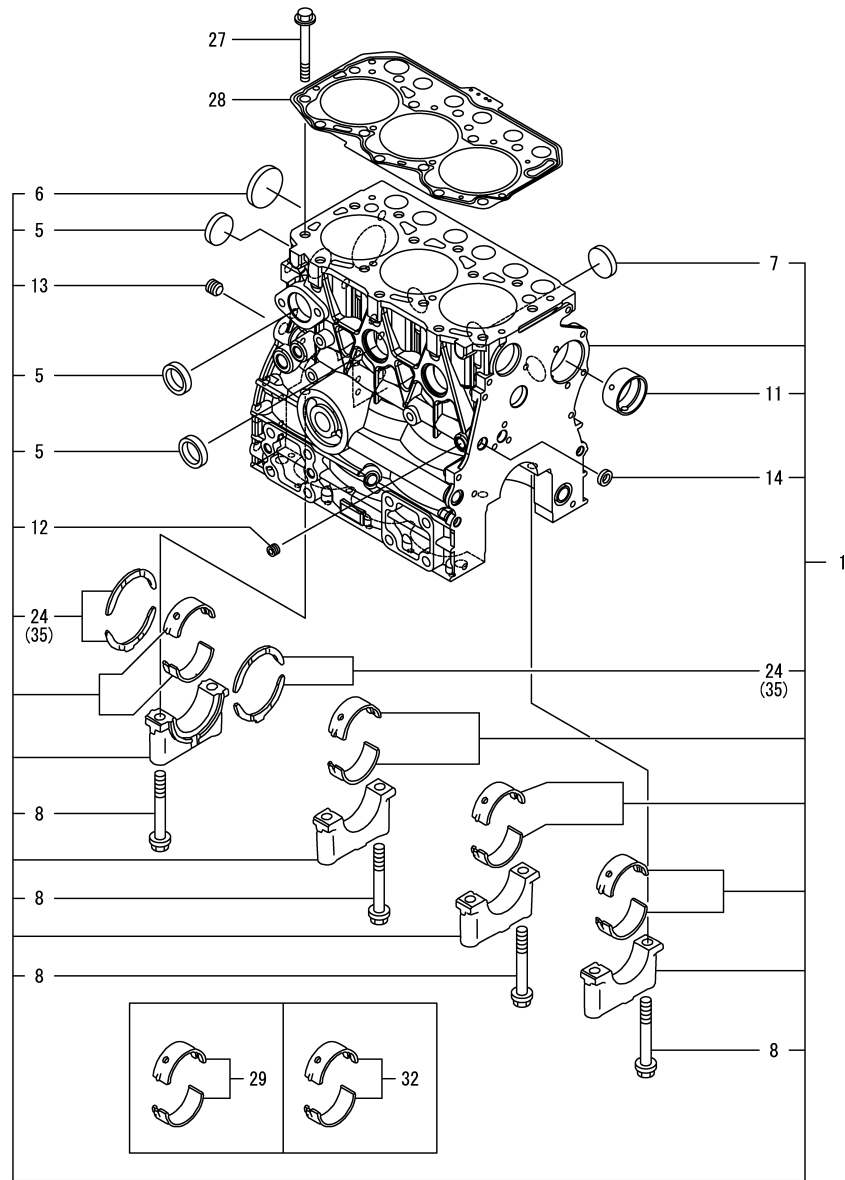
(B)=

(C)=

(D)=

(E)=

(F)=



| No. | Lev. | Parts No. | Description | Q'ty | | | | | | I | R |
|-----|------|--------------|----------------------|------|-----|-----|-----|-----|-----|---|---|
| | | | | (A) | (B) | (C) | (D) | (E) | (F) | | |
| 1 | 1 | 119C16-95000 | BLOCK ASSY, CYLINDER | 1 | | | | | | | |
| 5 | 2 | 105311-01090 | PLUG, CUP TYPE 30 | 4 | | | | | | | |
| 6 | 2 | 119623-01250 | PLUG, DISH TYPE 45 | 1 | | | | | | | |
| 7 | 2 | 119285-01990 | PLUG, CUP TYPE 25 | 3 | | | | | | | |
| 8 | 2 | 119620-02020 | BOLT, METAL CAP | 8 | | | | | | | |
| 11 | 2 | 119717-02411 | BUSH, CAMSHAFT | 1 | | | | | | | |
| 12 | 1 | 124060-01050 | PLUG, PT1/8 | 1 | | | | | | | |
| 13 | 1 | 124160-01910 | PLUG, PT1/4 | 1 | | | | | | | |
| 14 | 1 | 27241-120000 | PLUG, 12 | 1 | | | | | | | |
| 24 | 1 | 119717-02930 | BEARING ASSY, THRUST | 2 | | | | | | | |
| 27 | 1 | 119810-01200 | BOLT, CYLINDER HEAD | 14 | | | | | | | |
| 28 | 1 | 119C10-01330 | GASKET, HEAD | 1 | | | | | | | |
| 29 | 1 | 719717-02901 | BEARING ASSY, MAIN | 4 | | | | | | | 1 |
| 32 | 1 | 719717-02911 | BEARING ASSY, MAIN | 4 | | | | | | | 2 |
| 35 | 1 | 119810-02941 | BEARING, THRUST 0.25 | 2 | | | | | | | 3 |

Remarks

- (1) Spare parts.
- (2) Under-sized (U.S.=0.25) parts.
- (3) Over-sized (O.S.=0.25) parts.

Fig.2. GEAR HOUSING

(A)=3TNV74F-SPBV

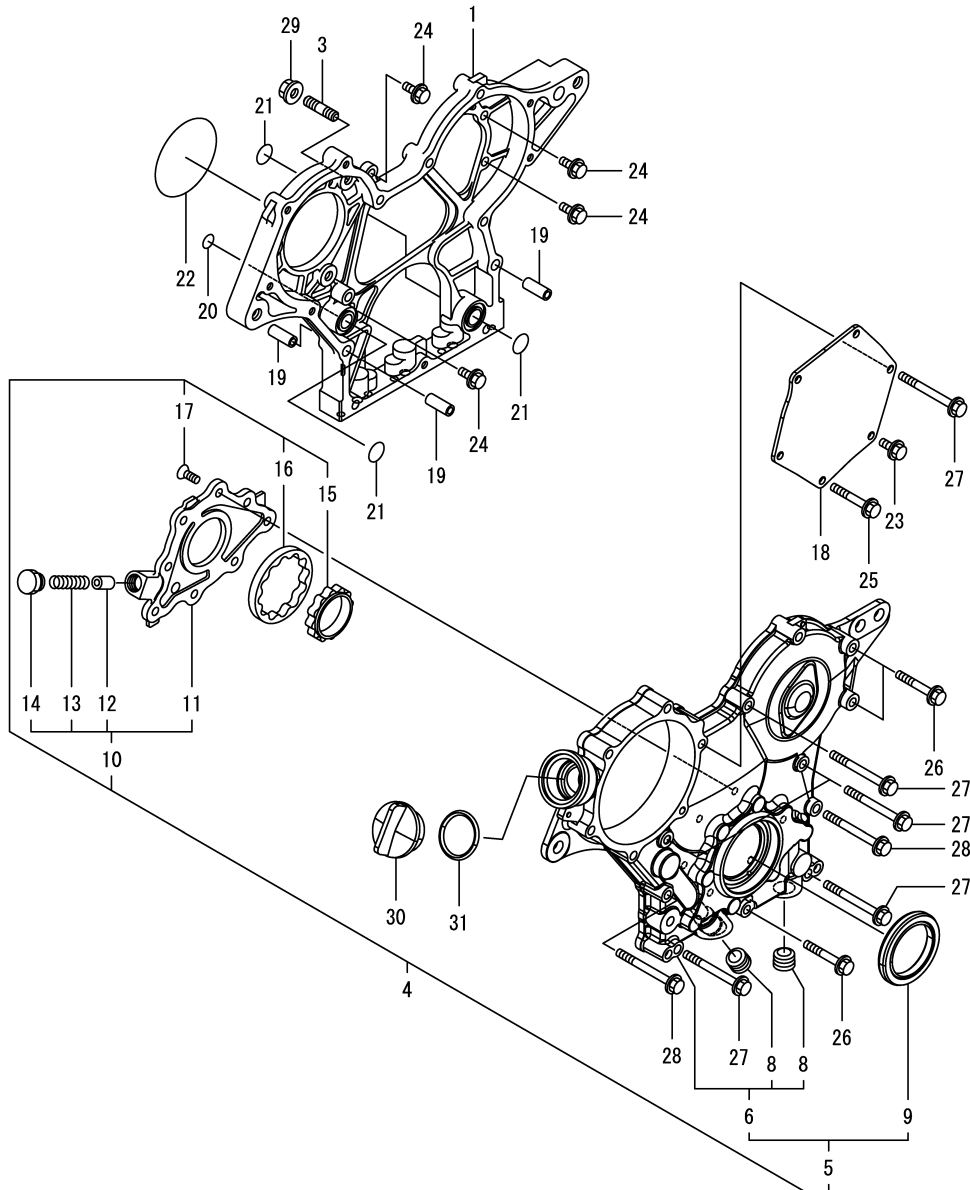
(B)=

(C)=

(D)=

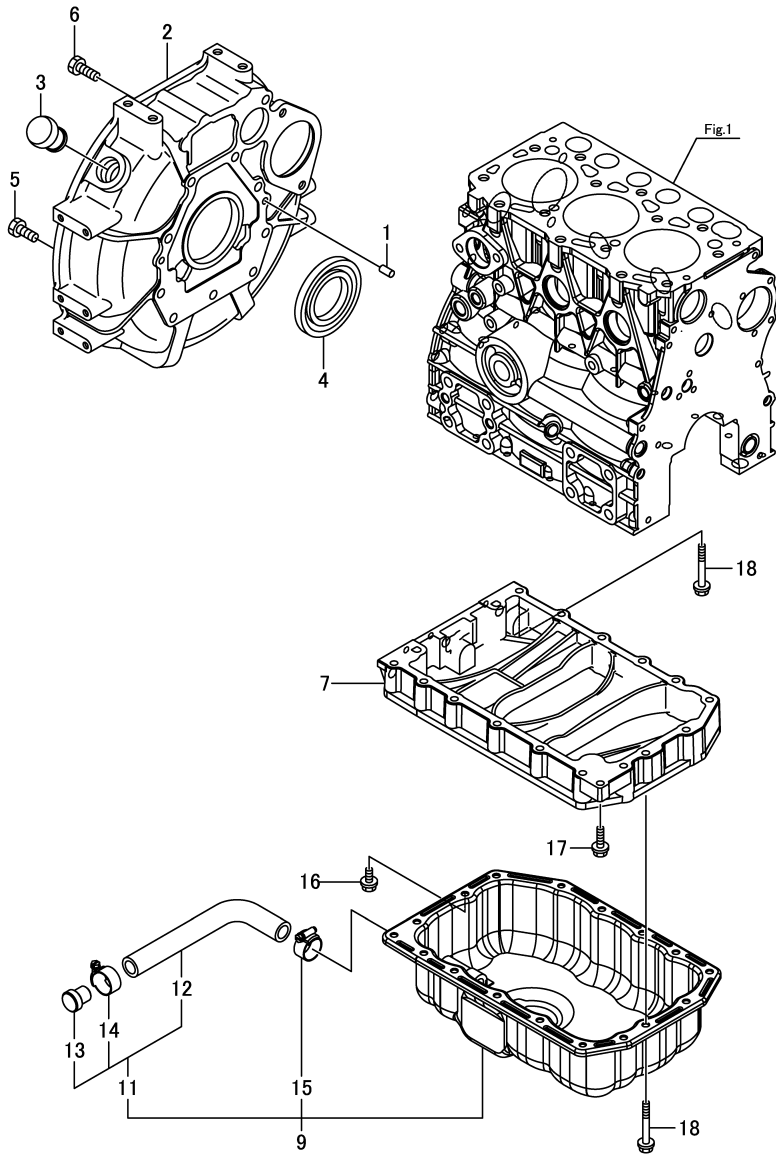
(E)=

(F)=



| No. | Lev. | Parts No. | Description | Q'ty | | | | | | I | R |
|-----|------|--------------|----------------------|------|-----|-----|-----|-----|-----|---|---|
| | | | | (A) | (B) | (C) | (D) | (E) | (F) | | |
| 1 | 1 | 119717-01501 | CASE, GEAR | 1 | | | | | | | |
| 3 | 1 | 119717-01570 | BOLT, STUD | 3 | | | | | | | |
| 4 | 1 | 119734-01590 | COVER ASSY,GEAR CASE | 1 | | | | | | | |
| 5 | 2 | 719734-01500 | COVER ASSY,GEAR CASE | 1 | | | | | | | |
| 6 | 3 | 119717-01521 | COVER, GEAR CASE | 1 | | | | | | | |
| 8 | 4 | 23876-030000 | PLUG, R03 | 2 | | | | | | | |
| 9 | 3 | 119717-01800 | SEAL, OIL | 1 | | | | | | | |
| 10 | 2 | 119717-32100 | COVER ASSY | 1 | | | | | | | |
| 11 | 3 | 119717-32080 | COVER, PUMP | 1 | | | | | | | |
| 12 | 3 | 129900-32130 | VALVE, RELIEF | 1 | | | | | | | |
| 13 | 3 | 129001-32320 | SPRING | 1 | | | | | | | |
| 14 | 3 | 129001-32330 | PLUG | 1 | | | | | | | |
| 15 | 2 | 119717-32110 | ROTOR, INNER | 1 | | | | | | | |
| 16 | 2 | 119717-32120 | ROTOR, OUTER | 1 | | | | | | | |
| 17 | 2 | 119802-32130 | SCREW, M6X16 | 8 | | | | | | | |
| 18 | 1 | 119717-01750 | COVER, PUMP | 1 | | | | | | | |
| 19 | 1 | 119660-01911 | PIPE, DOWEL 6X17 | 4 | | | | | | | |
| 20 | 1 | 119624-32040 | O-RING, P12.0 | 1 | | | | | | | |
| 21 | 1 | 119717-32050 | O-RING, P17.0 | 3 | | | | | | | |
| 22 | 1 | 121850-51960 | O-RING | 1 | | | | | | | |
| 23 | 1 | 26106-060122 | BOLT, M6X 12 PLATED | 1 | | | | | | | |
| 24 | 1 | 26106-060162 | BOLT, M6X 16 PLATED | 4 | | | | | | | |
| 25 | 1 | 26106-060402 | BOLT, M6X 40 PLATED | 4 | | | | | | | |
| 26 | 1 | 26106-060402 | BOLT, M6X 40 PLATED | 3 | | | | | | | |
| 27 | 1 | 26106-060602 | BOLT, M6X 60 PLATED | 7 | | | | | | | |
| 28 | 1 | 26106-060652 | BOLT, M6X 65 PLATED | 2 | | | | | | | |
| 29 | 1 | 26306-080002 | NUT, M8 | 3 | | | | | | | |
| 30 | 1 | 124160-01751 | CAP, FILLER | 1 | | | | | | | |
| 31 | 1 | 24311-000320 | O-RING, 1AP32.0 | 1 | | | | | | | |

Fig.3. FLYWHEEL HOUSING & OIL SUMP



(A)=3TNV74F-SPBV
(B)=
(C)=

(D)=
(E)=
(F)=

| No. | Lev. | Parts No. | Description | Q'ty | | | | | | I | R |
|-----|------|--------------|----------------------|------|-----|-----|-----|-----|-----|---|---|
| | | | | (A) | (B) | (C) | (D) | (E) | (F) | | |
| 1 | 1 | 129100-01580 | PIN, PARALLEL 8X16 | 2 | | | | | | | |
| 2 | 1 | 119515-01601 | HOUSING, FLYWHEEL | 1 | | | | | | | |
| 3 | 1 | 119620-01750 | CAP | 1 | | | | | | | |
| 4 | 1 | 124085-02220 | SEAL, OIL | 1 | | | | | | | |
| 5 | 1 | 26206-100252 | BOLT, M10X 25 PLATED | 7 | | | | | | | |
| 6 | 1 | 26206-100302 | BOLT, M10X 30 PLATED | 3 | | | | | | | |
| 7 | 1 | 119515-01720 | SPACER, OIL-PAN | 1 | | | | | | | |
| 9 | 1 | 119540-01780 | OIL PAN ASSY | 1 | | | | | | | |
| 11 | 2 | 119540-39910 | HOSE ASSY, OIL DRAIN | 1 | | | | | | | |
| 12 | 3 | 119540-39930 | HOSE, DRAIN | 1 | | | | | | | |
| 13 | 3 | 119656-39931 | PLUG | 1 | | | | | | | |
| 14 | 3 | 23001-022000 | CLAMP, HOSE 22 | 1 | | | | | | | |
| 15 | 2 | 23001-022000 | CLAMP, HOSE 22 | 1 | | | | | | | |
| 16 | 1 | 26106-060122 | BOLT, M6X 12 PLATED | 1 | | | | | | | |
| 17 | 1 | 26106-060252 | BOLT, M6X 25 PLATED | 1 | | | | | | | |
| 18 | 1 | 26106-060452 | BOLT, M6X 45 PLATED | 17 | | | | | | | |

Fig.4. CYLINDER HEAD & BONNET

(A)=3TNV74F-SPBV

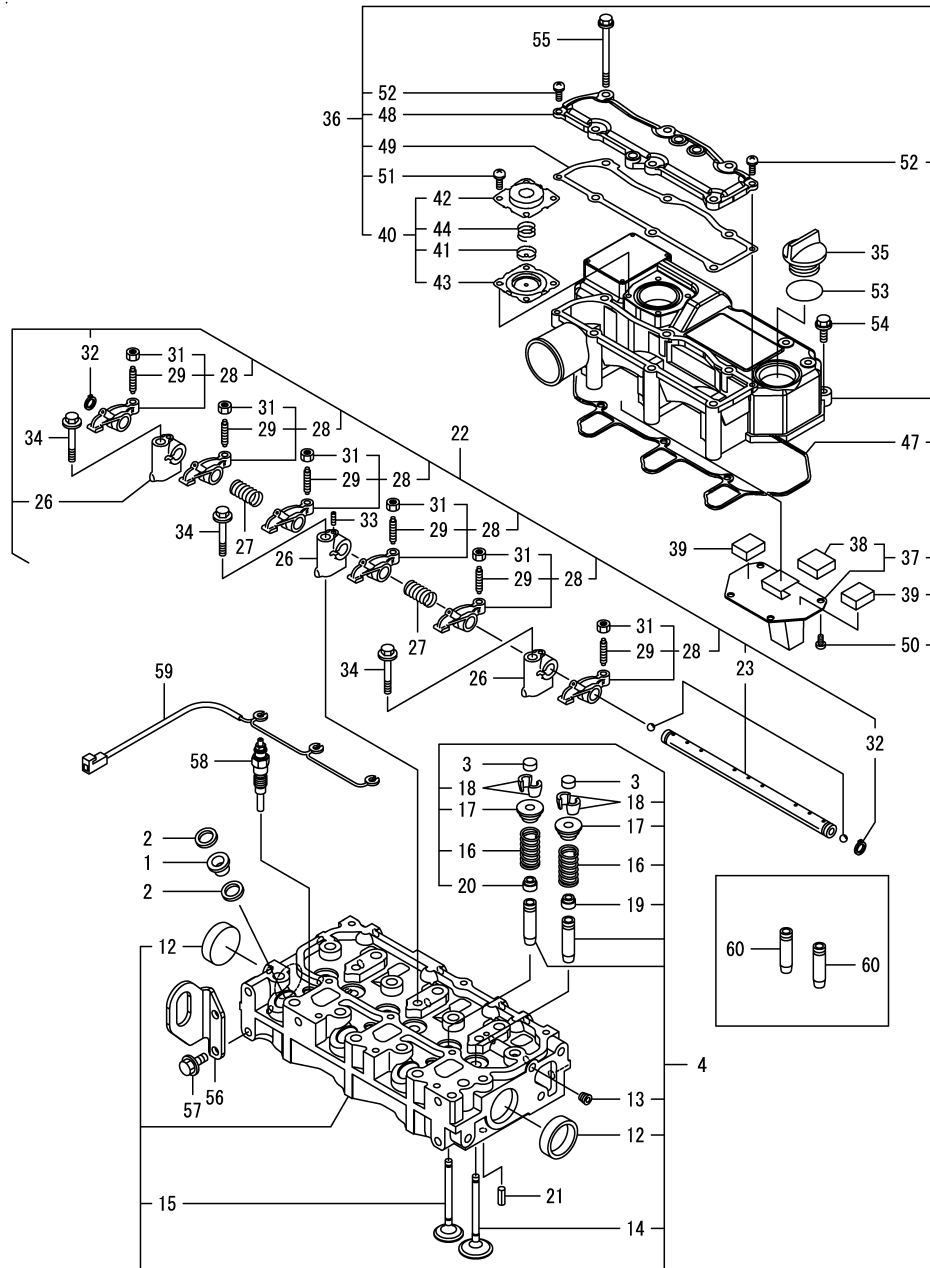
(B)=

(C)=

(D)=

(E)=

(F)=



| No. | Lev. | Parts No. | Description | Q'ty | | | | | | I | R |
|-----|------|--------------|----------------------|------|-----|-----|-----|-----|-----|---|---|
| | | | | (A) | (B) | (C) | (D) | (E) | (F) | | |
| 1 | 1 | 129901-11450 | PROTECTOR, NOZZLE | 3 | | | | | | | |
| 2 | 1 | 119600-11460 | GASKET, NOZZLE | 6 | | | | | | | |
| 3 | 1 | 105010-11490 | CAP, VALVE | 6 | | | | | | | |
| 4 | 1 | 119C10-11740 | HEAD ASSY, CYLINDER | 1 | | | | | | | |
| 12 | 2 | 119285-11990 | PLUG, CUP TYPE 35 | 2 | | | | | | | |
| 13 | 2 | 23876-005000 | PLUG, R005 | 1 | | | | | | | |
| 14 | 2 | 119C10-11100 | VALVE, SUCTION | 3 | | | | | | | |
| 15 | 2 | 119C10-11110 | VALVE, EXHAUST | 3 | | | | | | | |
| 16 | 2 | 119717-11131 | SPRING, VALVE | 6 | | | | | | | |
| 17 | 2 | 129508-11180 | RETAINER, SPRING | 6 | | | | | | | |
| 18 | 2 | 119717-11190 | COTTER, VALVE | 12 | | | | | | | |
| 19 | 2 | 119717-11340 | SEAL, VALVE STEM | 3 | | | | | | | |
| 20 | 2 | 119717-11350 | SEAL, VALVE STEM | 3 | | | | | | | |
| 21 | 1 | 22351-060012 | PIN, SPRING 6.0X12 | 2 | | | | | | | |
| 22 | 1 | 119515-11200 | SUPPORT ASSY, ROCKER | 1 | | | | | | | |
| 23 | 2 | 119515-11240 | SHAFT ASSY, ROCKER | 1 | | | | | | | |
| 26 | 2 | 119717-11260 | SUPPORT, ROCKER ARM | 3 | | | | | | | |
| 27 | 2 | 119515-11280 | SPRING, ROCKER | 2 | | | | | | | |
| 28 | 2 | 119717-11650 | ARM ASSY, ROCKER | 6 | | | | | | | |
| 29 | 3 | 129150-11230 | SCREW, VALVE ADJUST | 6 | | | | | | | |
| 31 | 3 | 129150-11750 | NUT, M8 | 6 | | | | | | | |
| 32 | 2 | 22242-000120 | RING, 12 | 2 | | | | | | | |
| 33 | 2 | 26979-050162 | SCREW, M5X16 | 1 | | | | | | | |
| 34 | 1 | 26106-080402 | BOLT, M8X 40 PLATED | 3 | | | | | | | |
| 35 | 1 | 124160-01751 | CAP, FILLER | 1 | | | | | | | |
| 36 | 1 | 119515-11380 | BONNET ASSY, HEAD | 1 | | | | | | | |
| 37 | 2 | 119717-03031 | PLATE, BAFFLE | 1 | | | | | | | |
| 38 | 3 | 119717-03070 | BAFFLE, BREATHER | 1 | | | | | | | |
| 39 | 2 | 119717-03070 | BAFFLE, BREATHER | 2 | | | | | | | |
| 40 | 2 | 119802-03100 | DIAPHRAGM ASSY | 1 | | | | | | | |
| 41 | 3 | 119802-03110 | PLATE, DIAPHRAGM | 1 | | | | | | | |
| 42 | 3 | 119802-03121 | COVER, DIAPHRAGM | 1 | | | | | | | |
| 43 | 3 | 119802-03131 | DIAPHRAGM | 1 | | | | | | | |
| 44 | 3 | 119802-03141 | SPRING, DIAPHRAGM | 1 | | | | | | | |
| 47 | 2 | 119515-11310 | GASKET, BONNET | 1 | | | | | | | |
| 48 | 2 | 119515-11320 | COVER, BONNET | 1 | | | | | | | |
| 49 | 2 | 119515-11330 | GASKET | 1 | | | | | | | |
| 50 | 2 | 22857-500100 | SCREW, 5X10 | 4 | | | | | | | |
| 51 | 2 | 22857-500100 | SCREW, 5X10 | 4 | | | | | | | |
| 52 | 2 | 22857-500160 | SCREW, 5X16 | 2 | | | | | | | |
| 53 | 1 | 24311-000320 | O-RING, 1AP32.0 | 1 | | | | | | | |
| 54 | 1 | 26106-060202 | BOLT, M6X 20 PLATED | 3 | | | | | | | |
| 55 | 1 | 26106-060752 | BOLT, M6X 75 PLATED | 6 | | | | | | | |
| 56 | 1 | 119718-07910 | LIFTER, ENGINE | 1 | | | | | | | |
| 57 | 1 | 26106-080162 | BOLT, M8X 16 PLATED | 2 | | | | | | | |
| 58 | 1 | 119717-77801 | PLUG, GLOW | 3 | | | | | | | |
| 59 | 1 | 119717-77820 | CONNECTOR, GLOW PLUG | 1 | | | | | | | |
| 60 | 1 | 119515-11800 | GUIDE, VALVE | 6 | | | | | | | |

Remarks

(1) Spare parts.

N:Old $\xrightarrow{\text{Yes}}$ New, Q:Old $\xrightarrow{\text{No}}$ New, R:Old $\xrightarrow{\text{Yes}}$ New, S:Old $\xrightarrow{\text{No}}$ New, W:Add, Z:Discontinued, F:Interchangeable by set, K:Q'ty Change

Fig.5. EXHAUST MANIFOLD

(A)=3TNV74F-SPBV
(B)=
(C)=

(D)=
(E)=
(F)=

| No. | Lev. | Parts No. | Description | Q'ty | | | | | | I | R |
|-----|------|--------------|----------------------|------|-----|-----|-----|-----|-----|---|---|
| | | | | (A) | (B) | (C) | (D) | (E) | (F) | | |
| 1 | 1 | 119540-13100 | MANIFOLD, EXHAUST | 1 | | | | | | | |
| 2 | 1 | 119717-13110 | GASKET, EXH.MANIFOLD | 1 | | | | | | | |
| 3 | 1 | 119717-13600 | BOLT, STUD M8X50 | 2 | | | | | | | |
| 4 | 1 | 119802-13620 | BOLT, M8X50 | 4 | | | | | | | |
| 5 | 1 | 119131-18320 | BOLT, STUD M8X22 | 4 | | | | | | | |
| 6 | 1 | 26306-080002 | NUT, M8 | 2 | | | | | | | |

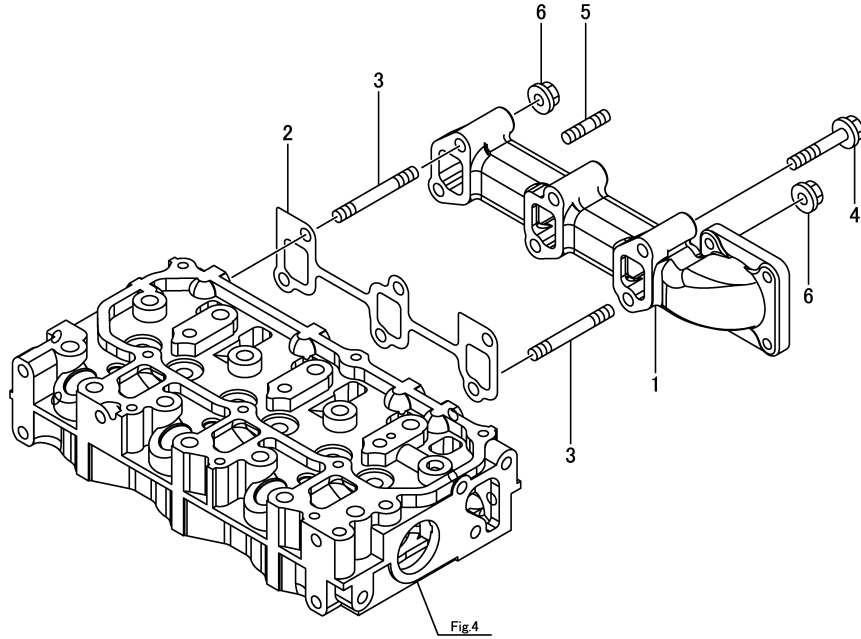


Fig.6. CAMSHAFT & DRIVING GEAR

(A)=3TNV74F-SPBV

(B)=

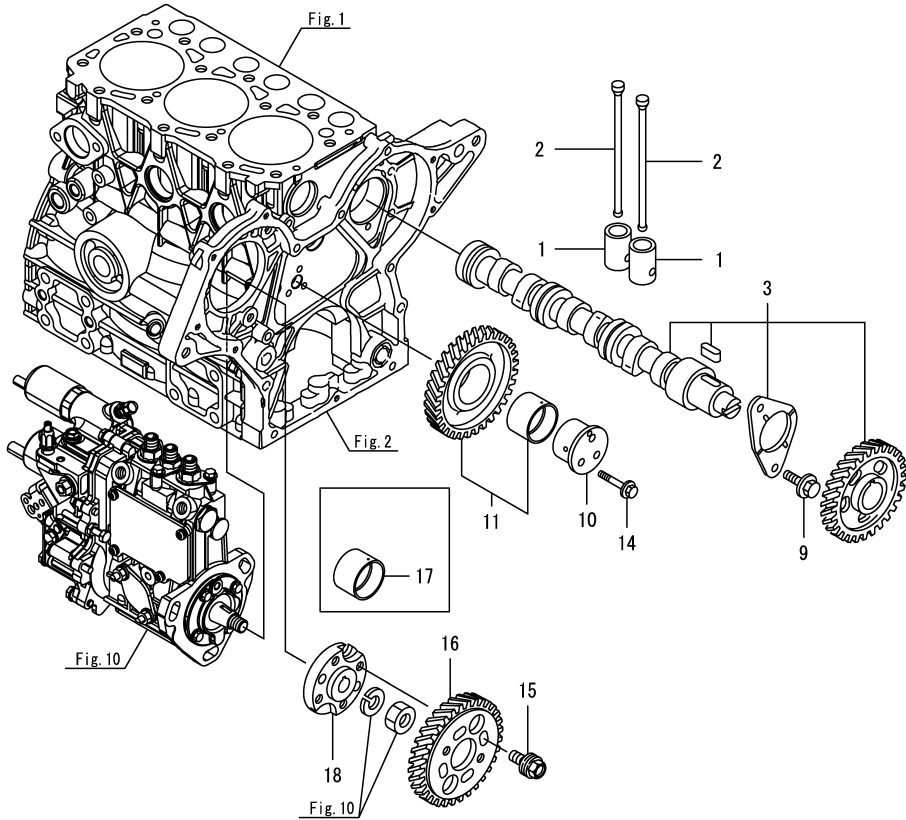
(C)=

(D)=

(E)=

(F)=

| No. | Lev. | Parts No. | Description | Q'ty | | | | | | I | R |
|-----|------|--------------|---------------------|------|-----|-----|-----|-----|-----|---|---|
| | | | | (A) | (B) | (C) | (D) | (E) | (F) | | |
| 1 | 1 | 119620-14200 | TAPPET | 6 | | | | | | | |
| 2 | 1 | 119515-14400 | PUSH-ROD | 6 | | | | | | | |
| 3 | 1 | 119515-14581 | CAMSHAFT ASSY | 1 | | | | | | | |
| 9 | 1 | 26106-060122 | BOLT, M6X 12 PLATED | 2 | | | | | | | |
| 10 | 1 | 119717-25050 | SHAFT, IDLE | 1 | | | | | | | |
| 11 | 1 | 119717-25101 | GEAR ASSY, IDLE | 1 | | | | | | | |
| 14 | 1 | 26106-060352 | BOLT, M6X 35 PLATED | 3 | | | | | | | |
| 15 | 1 | 129150-25301 | BOLT | 4 | | | | | | | |
| 16 | 1 | 119717-25930 | GEAR, PUMP | 1 | | | | | | | |
| 17 | 1 | 119717-25911 | BUSH, IDLE GEAR | 1 | | | | | | | 1 |
| 18 | 1 | 119717-51150 | FLANGE | 1 | | | | | | | |



Remarks

(1) Spare parts.

N:Old $\xrightarrow{\text{Yes}}$ New, Q:Old $\xrightarrow{\text{No}}$ New, R:Old $\xrightarrow{\text{Yes}}$ New, S:Old $\xrightarrow{\text{No}}$ New, W:Add, Z:Discontinued, F:Interchangeable by set, K:Q'ty Change

Fig.7. CRANKSHAFT & PISTON

(A)=3TNV74F-SPBV

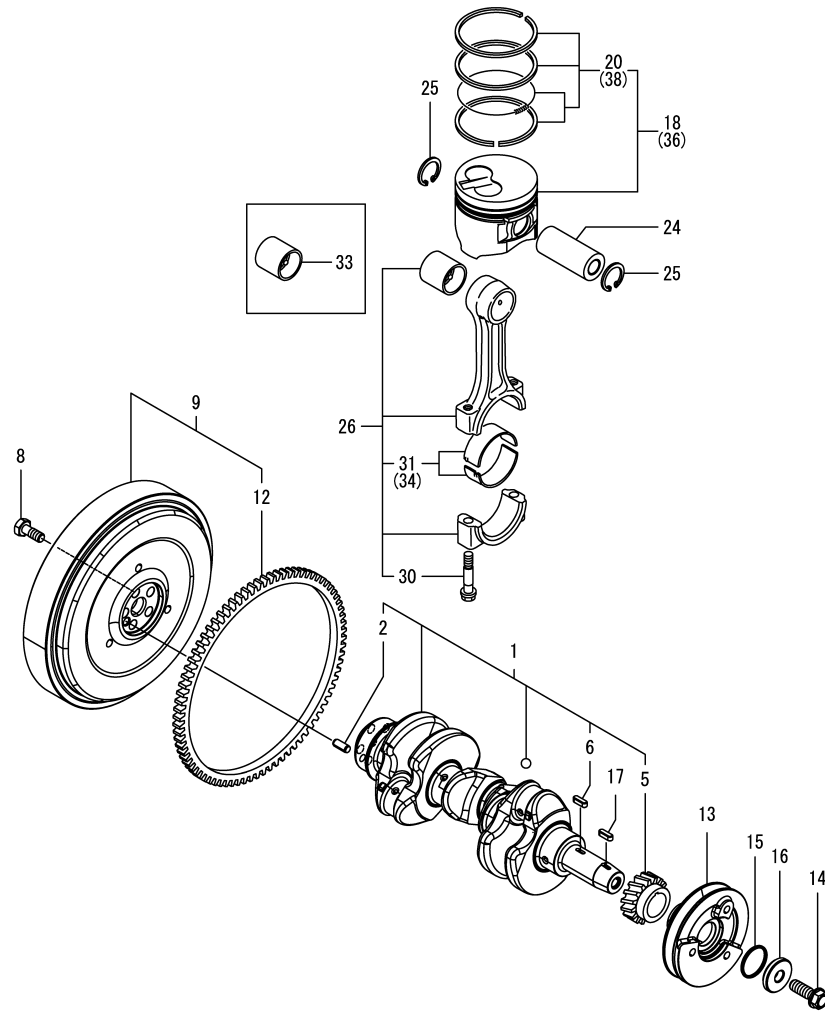
(B)=

(C)=

(D)=

(E)=

(F)=



| No. | Lev. | Parts No. | Description | Q'ty | | | | | | I | R |
|-----|------|--------------|----------------------|------|-----|-----|-----|-----|-----|---|---|
| | | | | (A) | (B) | (C) | (D) | (E) | (F) | | |
| 1 | 1 | 119C10-21700 | CRANKSHAFT ASSY | 1 | | | | | | | |
| 2 | 2 | 129100-01580 | PIN, PARALLEL 8X16 | 1 | | | | | | | |
| 5 | 2 | 119717-21200 | GEAR, CRANKSHAFT | 1 | | | | | | | |
| 6 | 2 | 22512-040120 | KEY, 4X 12 | 1 | | | | | | | |
| 8 | 1 | 119620-21500 | BOLT, FLYWHEEL | 5 | | | | | | | |
| 9 | 1 | 119C10-21580 | FLYWHEEL ASSY | 1 | | | | | | | |
| 12 | 2 | 124950-21600 | GEAR, RING | 1 | | | | | | | |
| 13 | 1 | 119C10-21650 | V-PULLEY, CRANKSHAFT | 1 | | | | | | | |
| 14 | 1 | 119621-21681 | BOLT, FLANGE 12X1.25 | 1 | | | | | | | |
| 15 | 1 | 119C10-21930 | GASKET, WASHER | 1 | | | | | | | |
| 16 | 1 | 119C10-21940 | WASHER, V-PULLEY | 1 | | | | | | | |
| 17 | 1 | 22512-040120 | KEY, 4X 12 | 1 | | | | | | | |
| 18 | 1 | 119C10-22080 | PISTON ASSY | 3 | | | | | | | |
| 20 | 2 | 119C10-22500 | RING ASSY | 3 | | | | | | | |
| 24 | 1 | 119717-22300 | PIN, PISTON | 3 | | | | | | | |
| 25 | 1 | 22252-000220 | RING, 22 | 6 | | | | | | | |
| 26 | 1 | 119515-23000 | ROD ASSY, CONNECTING | 3 | | | | | | | |
| 30 | 2 | 119717-23200 | BOLT, CONNECTING ROD | 6 | | | | | | | |
| 31 | 2 | 119515-23601 | BEARING, CRANK PIN | 3 | | | | | | | |
| 33 | 1 | 119717-23910 | BEARING, PISTON PIN | 3 | | | | | | | 1 |
| 34 | 1 | 119515-23611 | BEARING ASSY, 0.25 | 3 | | | | | | | 2 |
| 36 | 1 | 119C10-22900 | PISTON ASSY, 0.25 OS | 3 | | | | | | | 3 |
| 38 | 2 | 119C10-22550 | RING ASSY ,0.25 | 3 | | | | | | | 3 |

Remarks

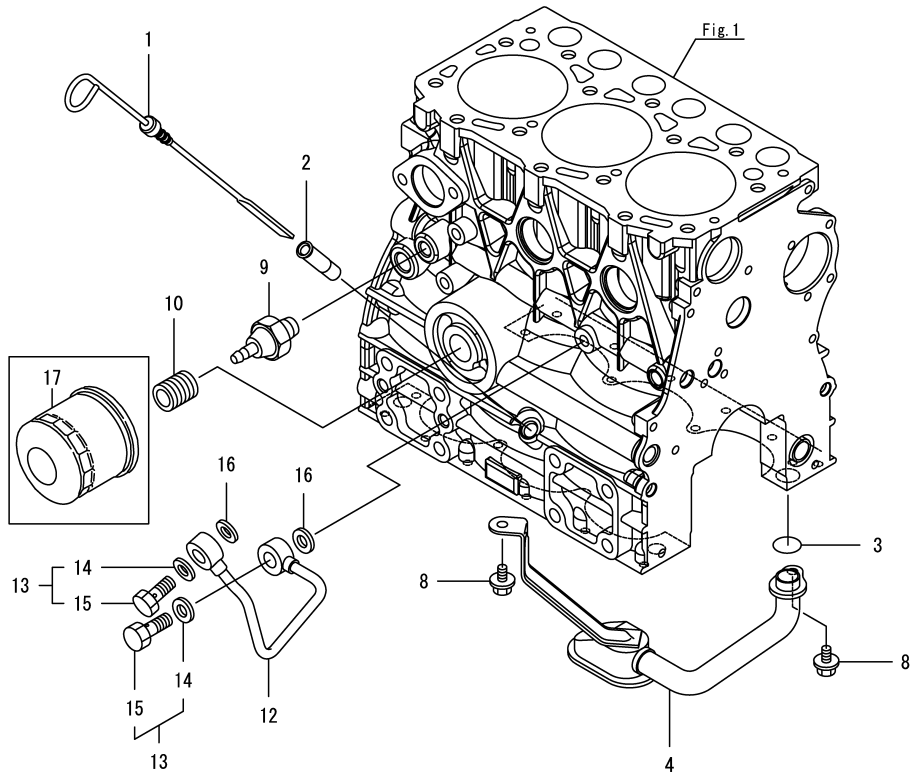
- (1) Spare parts.
- (2) Under-sized (U.S.=0.25) parts.
- (3) Over-sized (O.S.=0.25) parts.

Fig.8. LUB. OIL SYSTEM

(A)=3TNV74F-SPBV
(B)=
(C)=

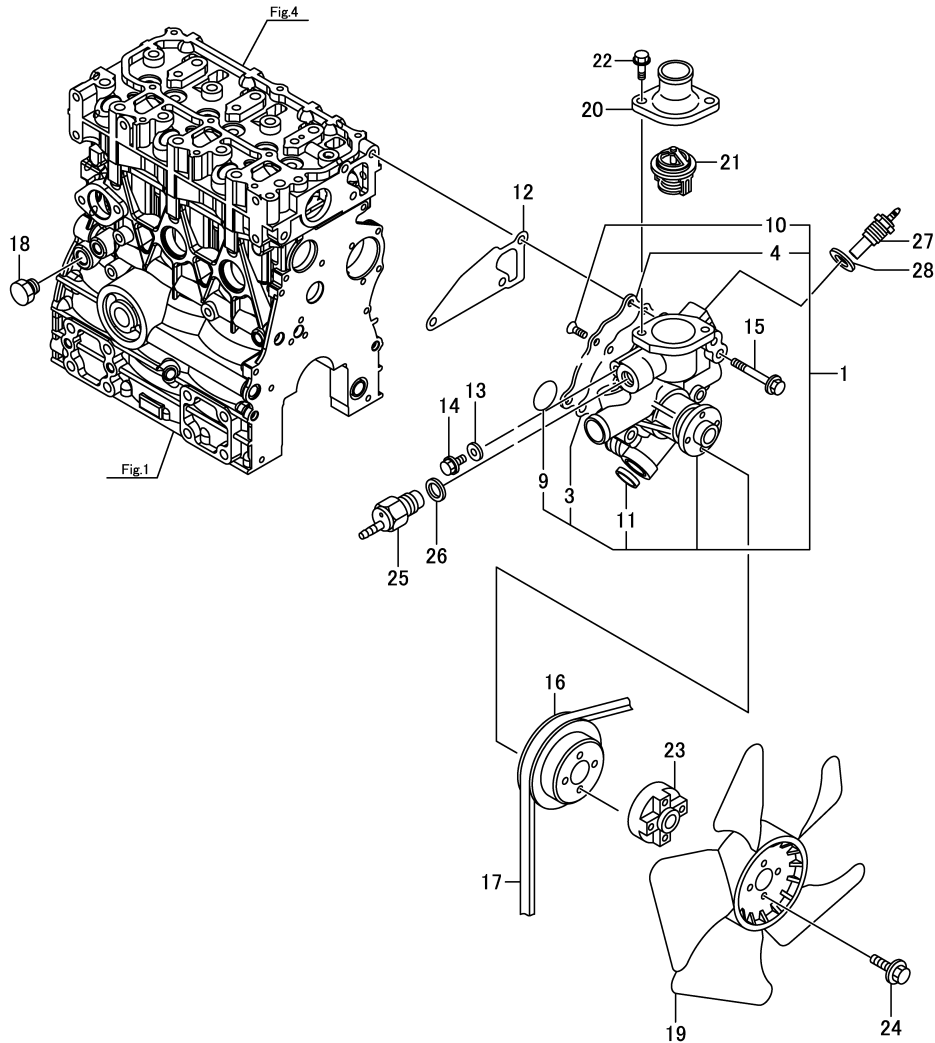
(D)=
(E)=
(F)=

| No. | Lev. | Parts No. | Description | Q'ty | | | | | | I | R |
|-----|------|--------------|----------------------|------|-----|-----|-----|-----|-----|---|---|
| | | | | (A) | (B) | (C) | (D) | (E) | (F) | | |
| 1 | 1 | 119515-34801 | DIPSTICK | 1 | | | | | | | |
| 2 | 1 | 121520-34810 | GUIDE, DIPSTICK | 1 | | | | | | | |
| 3 | 1 | 119717-32060 | O-RING, P15.0 | 1 | | | | | | | |
| 4 | 1 | 119515-35080 | PIPE ASSY, OIL INLET | 1 | | | | | | | |
| 8 | 1 | 26106-060102 | BOLT, M6X 10 PLATED | 2 | | | | | | | |
| 9 | 1 | 114250-39450 | SWITCH, HYDRAULIC | 1 | | | | | | | |
| 10 | 1 | 119717-35140 | BOLT, STUD | 1 | | | | | | | |
| 12 | 1 | 119717-39210 | PIPE, OIL | 1 | | | | | | | |
| 13 | 1 | 129005-59830 | BOLT ASSY, JOINT M8 | 2 | | | | | | | |
| 14 | 2 | 22190-080002 | WASHER, SEAL 8 | 2 | | | | | | | |
| 15 | 2 | 23857-030000 | BOLT, JOINT 3 | 2 | | | | | | | |
| 16 | 1 | 22190-080002 | WASHER, SEAL 8 | 2 | | | | | | | |
| 17 | 1 | 119305-35170 | FILTER ASSY, D68XL65 | 1 | | | | | | | 1 |



Remarks
(1) Spare parts.

Fig.9. COOLING WATER SYSTEM



(A)=3TNV74F-SPBV
(B)=
(C)=

(D)=
(E)=
(F)=

| No. | Lev. | Parts No. | Description | Q'ty | | | | | | I | R |
|-----|------|--------------|---------------------|------|-----|-----|-----|-----|-----|---|---|
| | | | | (A) | (B) | (C) | (D) | (E) | (F) | | |
| 1 | 1 | 119515-42002 | PUMP ASSY, CW LOW | 1 | | | | | | | |
| 3 | 2 | 119717-42031 | GASKET | 1 | | | | | | | |
| 4 | 2 | 119515-42041 | COVER | 1 | | | | | | | |
| 9 | 2 | 119C10-42320 | O-RING, 2028 | 1 | | | | | | | |
| 10 | 2 | 26577-060122 | SCREW, M6X12 | 4 | | | | | | | |
| 11 | 2 | 27241-250000 | PLUG, 25 | 1 | | | | | | | |
| 12 | 1 | 119515-42020 | GASKET, WATER PUMP | 1 | | | | | | | |
| 13 | 1 | 23414-080000 | GASKET, 8X1.0 | 1 | | | | | | | |
| 14 | 1 | 26106-080122 | BOLT, M8X 12 PLATED | 1 | | | | | | | |
| 15 | 1 | 26106-080502 | BOLT, M8X 50 PLATED | 3 | | | | | | | |
| 16 | 1 | 119717-42350 | V-PULLEY, D=100 | 1 | | | | | | | |
| 17 | 1 | 119540-42290 | V-BELT, A35.0 | 1 | | | | | | | |
| 18 | 1 | 171056-49120 | PLUG, DRAIN R1/4 | 1 | | | | | | | |
| 19 | 1 | 119233-44740 | FAN, D=290XUH | 1 | | | | | | | |
| 20 | 1 | 129350-49530 | COVER, THERMOSTAT | 1 | | | | | | | |
| 21 | 1 | 119717-49800 | THERMOSTAT, 71C | 1 | | | | | | | |
| 22 | 1 | 26106-080202 | BOLT, M8X 20 PLATED | 2 | | | | | | | |
| 23 | 1 | 121267-44760 | SPACER, FAN | 1 | | | | | | | |
| 24 | 1 | 26106-060302 | BOLT, M6X 30 PLATED | 4 | | | | | | | |
| 25 | 1 | 121250-44901 | SWITCH, THERMO 110 | 1 | | | | | | | |
| 26 | 1 | 124465-44950 | GASKET, 16 | 1 | | | | | | | |
| 27 | 1 | 171056-49351 | SENSOR, WATER TEMP. | 1 | | | | | | | |
| 28 | 1 | 129150-49360 | GASKET | 1 | | | | | | | |

Fig.10. FUEL INJECTION PUMP

(A)=3TNV74F-SPBV

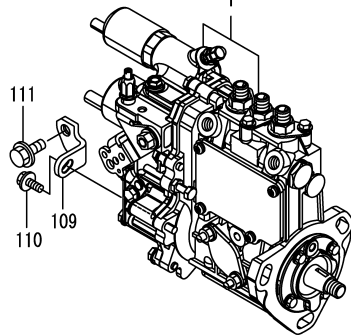
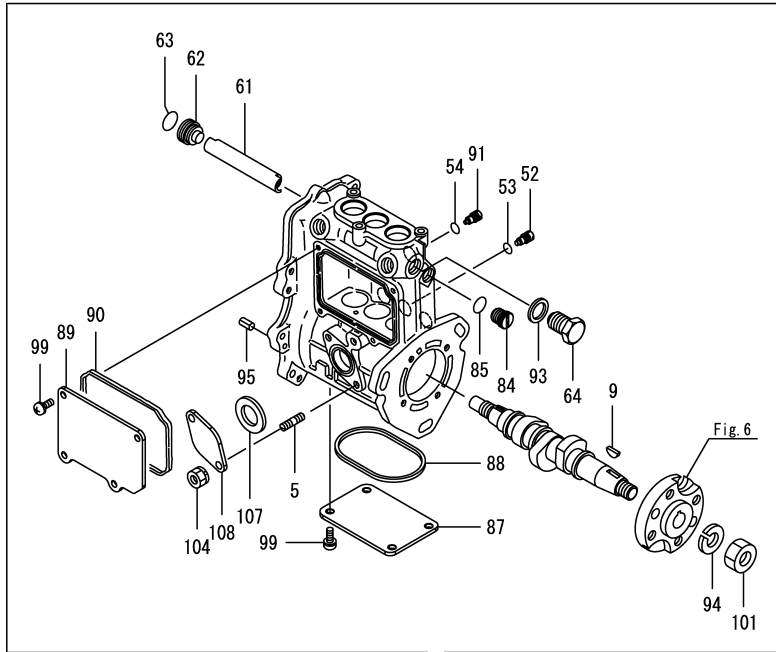
(B)=

(C)=

(D)=

(E)=

(F)=



| No. | Lev. | Parts No. | Description | Q'ty | | | | | | I | R |
|-----|------|--------------|----------------------|------|-----|-----|-----|-----|-----|---|---|
| | | | | (A) | (B) | (C) | (D) | (E) | (F) | | |
| 1 | 1 | 719C10-51330 | FIE ASSY | 1 | | | | | | | 1 |
| 5 | 2 | 129155-51020 | BOLT, STUD | 2 | | | | | | | |
| 9 | 2 | 122710-51090 | FEATHER KEY,WOODRUFF | 1 | | | | | | | |
| 52 | 2 | 158600-51270 | STOPPER, TAPPET | 3 | | | | | | | |
| 53 | 2 | 129155-51280 | O-RING, S6 | 3 | | | | | | | |
| 54 | 2 | 129155-51280 | O-RING, S6 | 1 | | | | | | | |
| 61 | 2 | 129155-51400 | DEFLECTOR | 1 | | | | | | | |
| 62 | 2 | 158600-51410 | PLUG, DEFLECTOR | 1 | | | | | | | |
| 63 | 2 | 119717-51420 | O-RING | 1 | | | | | | | |
| 64 | 2 | 158600-51420 | PLUG, DEFLECTOR | 1 | | | | | | | |
| 84 | 2 | 158600-51570 | PLUG, RACK | 1 | | | | | | | |
| 85 | 2 | 129155-51580 | O-RING | 1 | | | | | | | |
| 87 | 2 | 129155-51701 | COVER | 1 | | | | | | | |
| 88 | 2 | 119717-51711 | GASKET | 1 | | | | | | | |
| 89 | 2 | 119717-51750 | COVER | 1 | | | | | | | |
| 90 | 2 | 119717-51761 | GASKET | 1 | | | | | | | |
| 91 | 2 | 158600-51790 | STOPPER, RACK | 1 | | | | | | | |
| 93 | 2 | 22190-160002 | WASHER, SEAL 16 | 1 | | | | | | | |
| 94 | 2 | 22217-120000 | WASHER, SPRING 12 | 1 | | | | | | | |
| 95 | 2 | 22351-050010 | PIN, SPRING 5.0X10 | 2 | | | | | | | |
| 99 | 2 | 26022-050122 | SCREW, M5X12 | 8 | | | | | | | |
| 101 | 2 | 26716-120002 | NUT, M12 | 1 | | | | | | | |
| 104 | 2 | 119717-51860 | NUT, M6 | 2 | | | | | | | |
| 107 | 2 | 129155-52051 | GASKET | 1 | | | | | | | |
| 108 | 2 | 129100-52200 | COVER, PUMP | 1 | | | | | | | |
| 109 | 1 | 119C10-51250 | SUPPORT | 1 | | | | | | | |
| 110 | 1 | 26106-060142 | BOLT, M6X 14 PLATED | 1 | | | | | | | |
| 111 | 1 | 26106-080142 | BOLT, M8X 14 PLATED | 1 | | | | | | | |

Remarks

(1)Governor(Fig.11) is incorporated in this Fuel Injection Pump(No.1).

N:Old $\begin{matrix} \leftarrow \text{Yes} \\ \text{No} \end{matrix}$ New, Q:Old $\begin{matrix} \leftarrow \text{No} \\ \text{Yes} \end{matrix}$ New, R:Old $\begin{matrix} \leftarrow \text{Yes} \\ \text{Yes} \end{matrix}$ New, S:Old $\begin{matrix} \leftarrow \text{No} \\ \text{No} \end{matrix}$ New, W:Add, Z:Discontinued, F:Interchangeable by set, K:Q'ty Change

Fig.11. GOVERNOR

(A)=3TNV74F-SPBV

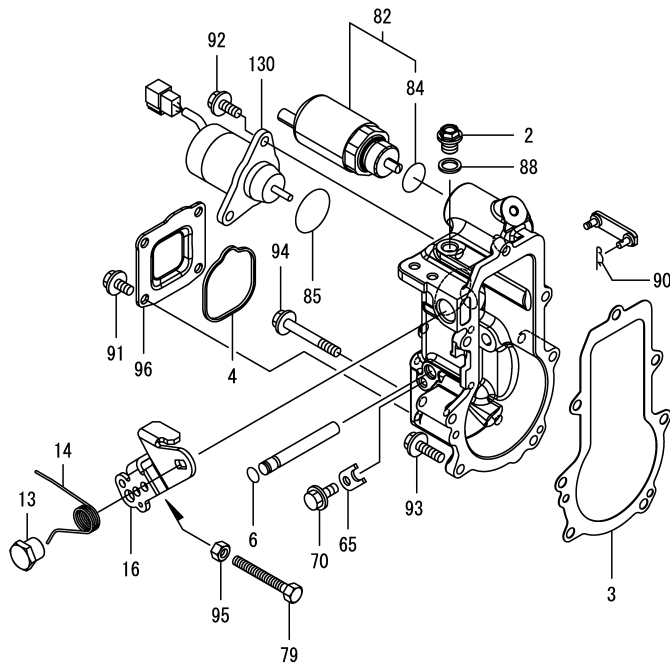
(B)=

(C)=

(D)=

(E)=

(F)=



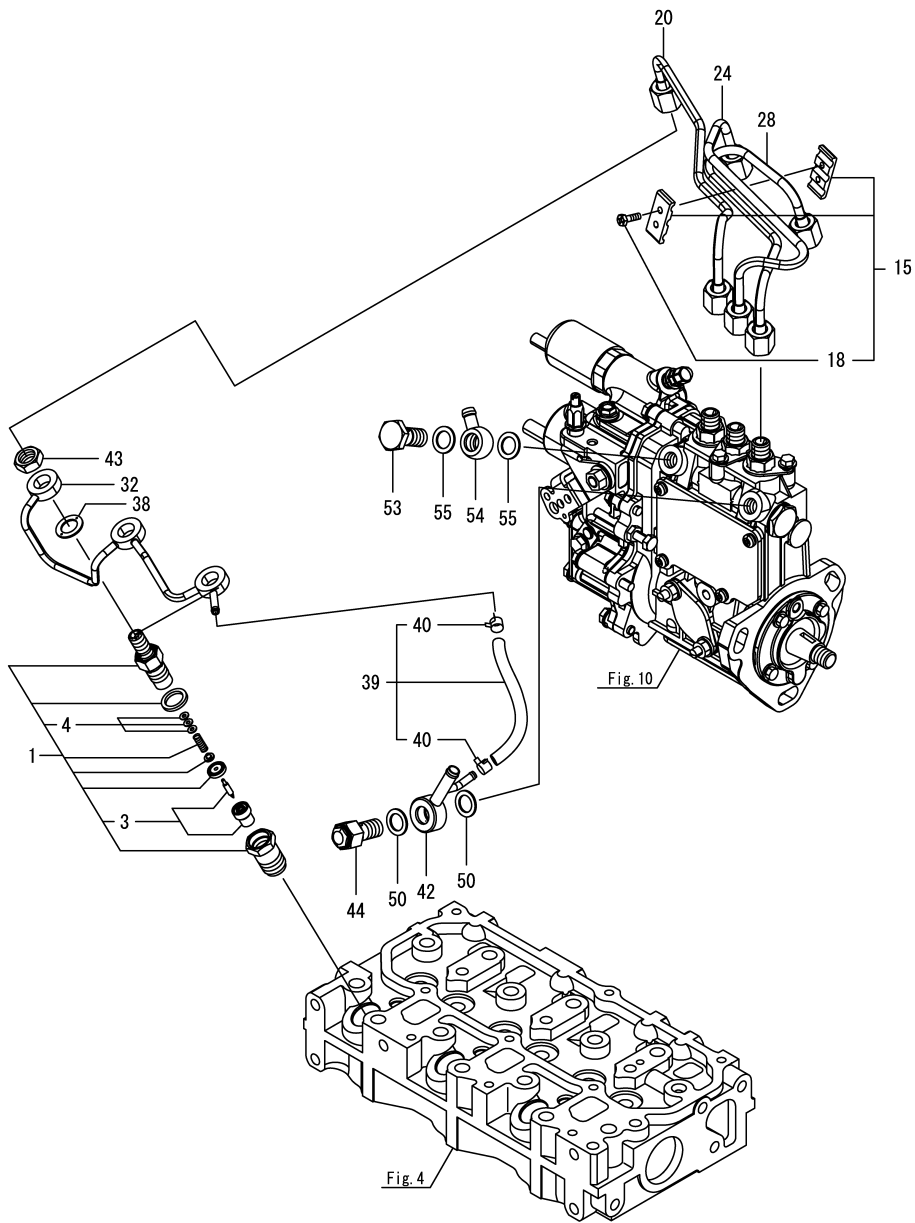
| No. | Lev. | Parts No. | Description | Q'ty | | | | | | I | R |
|-----|------|--------------|----------------------|------|-----|-----|-----|-----|-----|---|---|
| | | | | (A) | (B) | (C) | (D) | (E) | (F) | | |
| 2 | 2 | 119717-51930 | PLUG, M10 | 1 | | | | | | | |
| 3 | 2 | 119717-61050 | GASKET | 1 | | | | | | | |
| 4 | 2 | 119717-61070 | GASKET | 1 | | | | | | | |
| 6 | 2 | 129155-51280 | O-RING, S6 | 1 | | | | | | | |
| 13 | 2 | 129255-61410 | NUT, M8 | 1 | | | | | | | |
| 14 | 2 | 119534-61420 | SPRING, LEVER | 1 | | | | | | | |
| 16 | 2 | 119515-61440 | LEVER, CONTROL | 1 | | | | | | | |
| 65 | 2 | 119660-61901 | STOPPER, SHAFT | 1 | | | | | | | |
| 70 | 2 | 26106-060102 | BOLT, M6X 10 PLATED | 1 | | | | | | | |
| 79 | 2 | 129155-61460 | BOLT, LIMITING | 1 | | | | | | | |
| 82 | 2 | 119C00-61900 | SOLENOID, POWER CONT | 1 | | | | | | | |
| 84 | 3 | 24357-240200 | PACKING, 24020 | 1 | | | | | | | |
| 85 | 2 | 158552-61900 | O-RING | 1 | | | | | | | |
| 88 | 2 | 22190-100002 | WASHER, SEAL 10 | 1 | | | | | | | |
| 90 | 2 | 22372-040000 | PIN, SNAP 4 | 1 | | | | | | | |
| 91 | 2 | 26106-060102 | BOLT, M6X 10 PLATED | 4 | | | | | | | |
| 92 | 2 | 26106-060142 | BOLT, M6X 14 PLATED | 2 | | | | | | | |
| 93 | 2 | 26106-060202 | BOLT, M6X 20 PLATED | 4 | | | | | | | |
| 94 | 2 | 26106-060452 | BOLT, M6X 45 PLATED | 3 | | | | | | | |
| 95 | 2 | 26756-060002 | NUT, LOCK M6 | 1 | | | | | | | |
| 96 | 2 | 119717-61060 | COVER, GOVERNOR CASE | 1 | | | | | | | |
| 130 | 2 | 119233-77932 | SOLENOID, STOP | 1 | | | | | | | |

Remarks

* This figure(Governor) is incorporated in the Fuel Injection Pump(Fig.10).

N:Old $\xrightarrow{\text{Yes}}$ New, Q:Old $\xrightarrow{\text{No}}$ New, R:Old $\xrightarrow{\text{Yes}}$ New, S:Old $\xrightarrow{\text{No}}$ New, W:Add, Z:Discontinued, F:Interchangeable by set, K:Q'ty Change

Fig.12. FUEL INJECTION VALVE



(A)=3TNV74F-SPBV
(B)=
(C)=

(D)=
(E)=
(F)=

| No. | Lev. | Parts No. | Description | Q'ty | | | | | | I | R |
|-----|------|--------------|---------------------|------|-----|-----|-----|-----|-----|---|---|
| | | | | (A) | (B) | (C) | (D) | (E) | (F) | | |
| 1 | 1 | 119C10-53000 | NOZZLE ASSY, F.I. | 3 | | | | | | | |
| 3 | 2 | 119C10-53010 | NOZZLE ASSY | 3 | | | | | | | |
| 4 | 2 | 129901-53800 | SHIM SET, ADJUSTING | 3 | | | | | | | 1 |
| 15 | 1 | 129150-59120 | RETAINER, PIPE | 1 | | | | | | | |
| 18 | 2 | 129150-59131 | BOLT, M4X14 | 2 | | | | | | | |
| 20 | 2 | 119C10-59850 | PIPE ASSY, INJ.NO1 | 1 | | | | | | | |
| 24 | 2 | 119C10-59860 | PIPE ASSY, INJ.NO2 | 1 | | | | | | | |
| 28 | 2 | 119C10-59870 | PIPE ASSY, INJ.NO3 | 1 | | | | | | | |
| 32 | 1 | 119515-59540 | PIPE ASSY, RETURN | 1 | | | | | | | |
| 38 | 1 | 129901-59560 | GASKET | 3 | | | | | | | |
| 39 | 1 | 119540-59570 | HOSE ASSY, RETURN | 1 | | | | | | | |
| 40 | 2 | 124066-59100 | CLAMP, HOSE 8 | 2 | | | | | | | |
| 42 | 1 | 119840-59570 | JOINT | 1 | | | | | | | |
| 43 | 1 | 119620-59700 | NUT, NOZZLE | 3 | | | | | | | |
| 44 | 1 | 119813-59950 | VALVE ASSY, CHECK | 1 | | | | | | | |
| 50 | 1 | 22190-120002 | WASHER, SEAL 12 | 2 | | | | | | | |
| 53 | 1 | 103854-39140 | BOLT, PIPE JOINT | 1 | | | | | | | |
| 54 | 1 | 101304-59020 | JOINT, PIPE 12 | 1 | | | | | | | |
| 55 | 1 | 22190-120002 | WASHER, SEAL 12 | 2 | | | | | | | |

Remarks

(1) Spare parts.

N:Old $\xrightarrow{\text{Yes}}$ New, Q:Old $\xrightarrow{\text{No}}$ New, R:Old $\xrightarrow{\text{Yes}}$ New, S:Old $\xrightarrow{\text{No}}$ New, W:Add, Z:Discontinued, F:Interchangeable by set, K:Q'ty Change

Fig.13. STARTER MOTOR

(A)=3TNV74F-SPBV

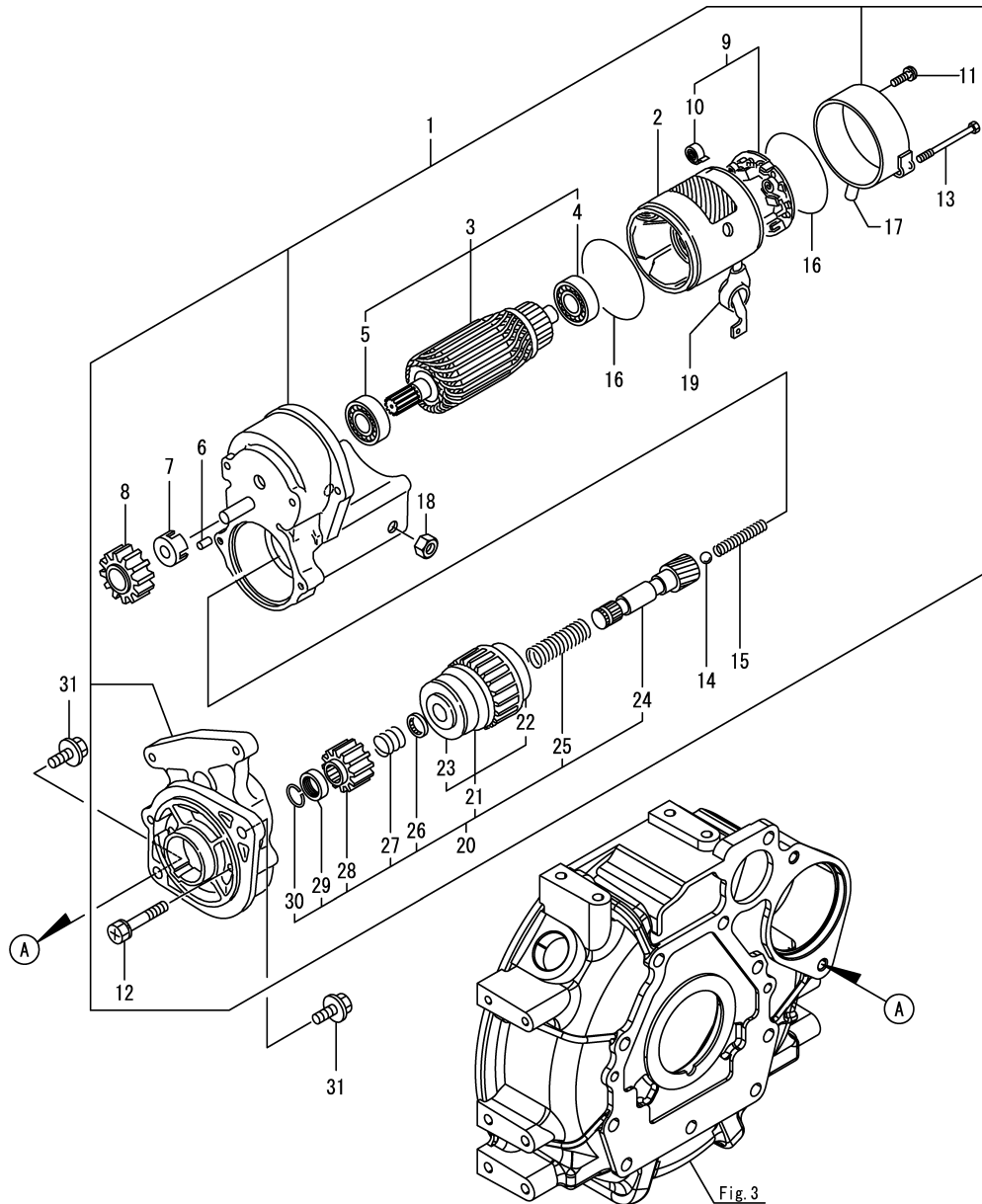
(B)=

(C)=

(D)=

(E)=

(F)=

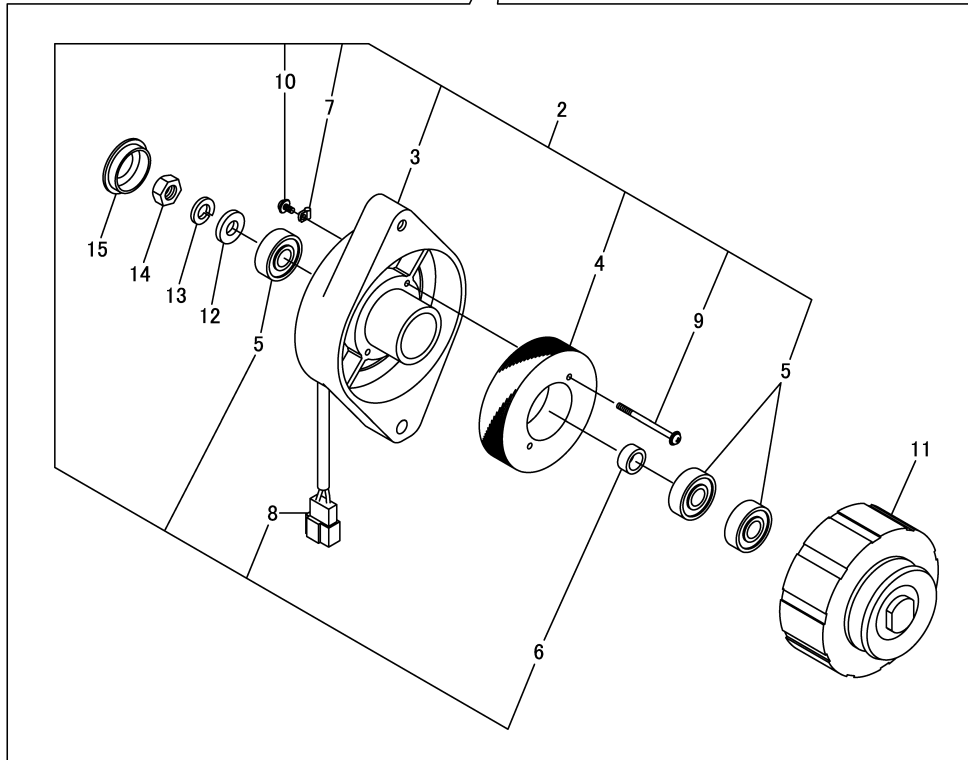
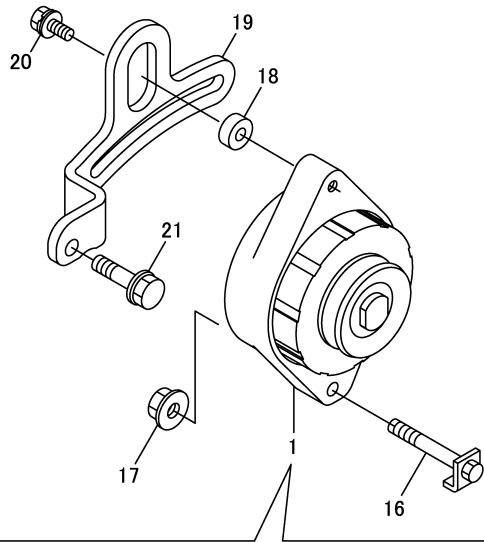


| No. | Lev. | Parts No. | Description | Q'ty | | | | | | I | R |
|-----|------|--------------|----------------------|------|-----|-----|-----|-----|-----|---|---|
| | | | | (A) | (B) | (C) | (D) | (E) | (F) | | |
| 1 | 1 | 119540-77010 | STARTER ASSY | 1 | | | | | | | |
| 2 | 2 | 129407-77210 | YOKE ASSY | 1 | | | | | | | |
| 3 | 2 | 129407-77220 | ARMATURE ASSY | 1 | | | | | | | |
| 4 | 3 | 129129-77230 | BEARING, BALL | 1 | | | | | | | |
| 5 | 3 | 129129-77240 | BEARING, BALL | 1 | | | | | | | |
| 6 | 2 | X0283060061 | ROLLER | 5 | | | | | | | |
| 7 | 2 | 129129-77260 | RETAINER | 1 | | | | | | | |
| 8 | 2 | 129129-77270 | PINION | 1 | | | | | | | |
| 9 | 2 | 129407-77300 | HOLDER ASSY | 1 | | | | | | | |
| 10 | 3 | X9491730461 | SPRING | 4 | | | | | | | |
| 11 | 2 | 129129-77460 | SCREW | 2 | | | | | | | |
| 12 | 2 | 129129-77320 | BOLT | 2 | | | | | | | |
| 13 | 2 | 129407-77330 | BOLT | 2 | | | | | | | |
| 14 | 2 | X9491200240 | BALL, STEEL | 1 | | | | | | | |
| 15 | 2 | 129129-77340 | SPRING | 1 | | | | | | | |
| 16 | 2 | 129129-77350 | O-RING | 2 | | | | | | | |
| 17 | 2 | 129129-77362 | COVER | 1 | | | | | | | |
| 18 | 2 | X9490561370 | NUT | 1 | | | | | | | |
| 19 | 2 | 129129-77380 | CAP | 1 | | | | | | | |
| 20 | 2 | X1280996600 | STARTER KIT | 1 | | | | | | | |
| 21 | 3 | 129129-77390 | CLUTCH ASSY | 1 | | | | | | | |
| 22 | 4 | 129129-77440 | BEARING, BALL | 1 | | | | | | | |
| 23 | 4 | 129129-77450 | BEARING, BALL | 1 | | | | | | | |
| 24 | 3 | 129129-77400 | SHAFT, STATER | 1 | | | | | | | |
| 25 | 3 | 129129-77410 | SPRING | 1 | | | | | | | |
| 26 | 3 | X0283270140 | RETAINER | 1 | | | | | | | |
| 27 | 3 | 129407-77410 | SPRING | 1 | | | | | | | |
| 28 | 3 | X0283712350 | PINION, STARTER | 1 | | | | | | | |
| 29 | 3 | X0280210230 | NUT | 1 | | | | | | | |
| 30 | 3 | 129129-77430 | RING, SNAP | 1 | | | | | | | |
| 31 | 1 | 26106-100252 | BOLT, M10X 25 PLATED | 2 | | | | | | | |

Fig.14. GENERATOR

(A)=3TNV74F-SPBV
(B)=
(C)=

(D)=
(E)=
(F)=

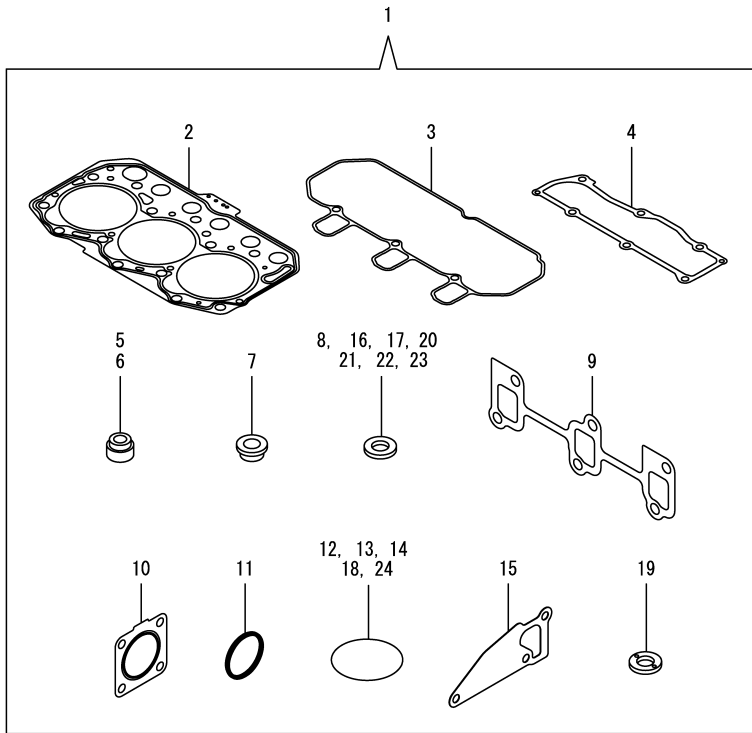


| No. | Lev. | Parts No. | Description | Q'ty | | | | | | I | R |
|-----|------|--------------|---------------------|------|-----|-----|-----|-----|-----|---|---|
| | | | | (A) | (B) | (C) | (D) | (E) | (F) | | |
| 1 | 1 | 119910-77200 | DYNAMO ASSY | 1 | | | | | | | |
| 2 | 2 | X2A10592KA | PLATE ASSY | 1 | | | | | | | |
| 3 | 2 | X2A07075KB | PLATE, COIL | 1 | | | | | | | |
| 4 | 2 | X3A02982KC | STATOR ASSY | 1 | | | | | | | |
| 5 | 2 | 24104-062010 | BEARING, 6201UUC3 | 3 | | | | | | | |
| 6 | 2 | X4A10092KA | COLLAR | 1 | | | | | | | |
| 7 | 2 | XM069000000 | CLAMP | 1 | | | | | | | |
| 8 | 2 | XM771860000 | COUPLER | 1 | | | | | | | |
| 9 | 2 | 119259-77250 | SCREW | 2 | | | | | | | |
| 10 | 2 | XYSPS400800 | SCREW | 1 | | | | | | | |
| 11 | 2 | X3A08863KA | FLYWHEEL ASSY | 1 | | | | | | | |
| 12 | 2 | XM860250000 | WASHER, 10 | 1 | | | | | | | |
| 13 | 2 | XM219230000 | WASHER, SPRING | 1 | | | | | | | |
| 14 | 2 | XM863720000 | NUT | 1 | | | | | | | |
| 15 | 2 | XM771870000 | CAP | 1 | | | | | | | |
| 16 | 1 | 119740-77251 | BOLT, M10X80 | 1 | | | | | | | |
| 17 | 1 | 26306-100002 | NUT, M10 | 1 | | | | | | | |
| 18 | 1 | 119940-77270 | SPACER | 1 | | | | | | | |
| 19 | 1 | 119540-77300 | ADJUSTER, BELT | 1 | | | | | | | |
| 20 | 1 | 129972-77341 | BOLT, ADJUST L=50 | 1 | | | | | | | |
| 21 | 1 | 26106-080202 | BOLT, M8X 20 PLATED | 1 | | | | | | | |

Fig.15. GASKET SET

(A)=3TNV74F-SPBV
(B)=
(C)=

(D)=
(E)=
(F)=



| No. | Lev. | Parts No. | Description | Q'ty | | | | | | I | R |
|-----|------|--------------|----------------------|------|-----|-----|-----|-----|-----|---|---|
| | | | | (A) | (B) | (C) | (D) | (E) | (F) | | |
| 1 | 1 | 719C21-92601 | GASKET KIT | 1 | | | | | | | 1 |
| 2 | 2 | 119C10-01330 | GASKET, HEAD | 1 | | | | | | | |
| 3 | 2 | 119515-11310 | GASKET, BONNET | 1 | | | | | | | |
| 4 | 2 | 119515-11330 | GASKET | 1 | | | | | | | |
| 5 | 2 | 119717-11340 | SEAL, VALVE STEM | 3 | | | | | | | |
| 6 | 2 | 119717-11350 | SEAL, VALVE STEM | 3 | | | | | | | |
| 7 | 2 | 129901-11450 | PROTECTOR, NOZZLE | 3 | | | | | | | |
| 8 | 2 | 119600-11460 | GASKET, NOZZLE | 6 | | | | | | | |
| 9 | 2 | 119717-13110 | GASKET, EXH.MANIFOLD | 1 | | | | | | | |
| 10 | 2 | 119515-13200 | GASKET, SILENCER | 1 | | | | | | | |
| 11 | 2 | 119C10-21930 | GASKET, WASHER | 1 | | | | | | | |
| 12 | 2 | 119624-32040 | O-RING, P12.0 | 1 | | | | | | | |
| 13 | 2 | 119717-32050 | O-RING, P17.0 | 3 | | | | | | | |
| 14 | 2 | 119717-32060 | O-RING, P15.0 | 1 | | | | | | | |
| 15 | 2 | 119515-42020 | GASKET, WATER PUMP | 1 | | | | | | | |
| 16 | 2 | 124465-44950 | GASKET, 16 | 1 | | | | | | | |
| 17 | 2 | 129150-49360 | GASKET | 1 | | | | | | | |
| 18 | 2 | 121850-51960 | O-RING | 1 | | | | | | | |
| 19 | 2 | 129901-59560 | GASKET | 3 | | | | | | | |
| 20 | 2 | 22190-080002 | WASHER, SEAL 8 | 4 | | | | | | | |
| 21 | 2 | 22190-120002 | WASHER, SEAL 12 | 4 | | | | | | | |
| 22 | 2 | 22190-160002 | WASHER, SEAL 16 | 1 | | | | | | | |
| 23 | 2 | 23414-080000 | GASKET, 8X1.0 | 1 | | | | | | | |
| 24 | 2 | 24311-000320 | O-RING, 1AP32.0 | 2 | | | | | | | |

Remarks

(1)Optional parts.

N:Old $\xrightarrow{\text{Yes}}$ New, Q:Old $\xrightarrow{\text{No}}$ New, R:Old $\xrightarrow{\text{Yes}}$ New, S:Old $\xrightarrow{\text{No}}$ New, W:Add, Z:Discontinued, F:Interchangeable by set, K:Q'ty Change

Parts No. Index

| Parts No. | Fig. No. | Ref. No. |
|--------------|----------|----------|
| 101304-59020 | 12 | 54 |
| 103854-39140 | 12 | 53 |
| 105010-11490 | 4 | 3 |
| 105311-01090 | 1 | 5 |
| 114250-39450 | 8 | 9 |
| 119131-18320 | 5 | 5 |
| 119233-44740 | 9 | 19 |
| 119233-77932 | 11 | 130 |
| 119259-77250 | 14 | 9 |
| 119285-01990 | 1 | 7 |
| 119285-11990 | 4 | 12 |
| 119305-35170 | 8 | 17 |
| 119515-01601 | 3 | 2 |
| 119515-01720 | 3 | 7 |
| 119515-11200 | 4 | 22 |
| 119515-11240 | 4 | 23 |
| 119515-11280 | 4 | 27 |
| 119515-11310 | 4 | 47 |
| | 15 | 3 |
| 119515-11320 | 4 | 48 |
| 119515-11330 | 4 | 49 |
| | 15 | 4 |
| 119515-11380 | 4 | 36 |
| 119515-11800 | 4 | 60 |
| 119515-13200 | 15 | 10 |
| 119515-14400 | 6 | 2 |
| 119515-14581 | 6 | 3 |
| 119515-23000 | 7 | 26 |
| 119515-23601 | 7 | 31 |
| 119515-23611 | 7 | 34 |
| 119515-34801 | 8 | 1 |
| 119515-35080 | 8 | 4 |
| 119515-42002 | 9 | 1 |
| 119515-42020 | 9 | 12 |
| | 15 | 15 |
| 119515-42041 | 9 | 4 |
| 119515-59540 | 12 | 32 |
| 119515-61440 | 11 | 16 |
| 119534-61420 | 11 | 14 |
| 119540-01780 | 3 | 9 |
| 119540-13100 | 5 | 1 |
| 119540-39910 | 3 | 11 |
| 119540-39930 | 3 | 12 |
| 119540-42290 | 9 | 17 |
| 119540-59570 | 12 | 39 |
| 119540-77010 | 13 | 1 |
| 119540-77300 | 14 | 19 |
| 119600-11460 | 4 | 2 |
| | 15 | 8 |
| 119620-01750 | 3 | 3 |

| Parts No. | Fig. No. | Ref. No. |
|--------------|----------|----------|
| 119620-02020 | 1 | 8 |
| 119620-14200 | 6 | 1 |
| 119620-21500 | 7 | 8 |
| 119620-59700 | 12 | 43 |
| 119621-21681 | 7 | 14 |
| 119623-01250 | 1 | 6 |
| 119624-32040 | 2 | 20 |
| | 15 | 12 |
| 119656-39931 | 3 | 13 |
| 119660-01911 | 2 | 19 |
| 119660-61901 | 11 | 65 |
| 119717-01501 | 2 | 1 |
| 119717-01521 | 2 | 6 |
| 119717-01570 | 2 | 3 |
| 119717-01750 | 2 | 18 |
| 119717-01800 | 2 | 9 |
| 119717-02411 | 1 | 11 |
| 119717-02930 | 1 | 24 |
| 119717-03031 | 4 | 37 |
| 119717-03070 | 4 | 38 |
| | | 39 |
| 119717-11131 | 4 | 16 |
| 119717-11190 | 4 | 18 |
| 119717-11260 | 4 | 26 |
| 119717-11340 | 4 | 19 |
| | 15 | 5 |
| 119717-11350 | 4 | 20 |
| | 15 | 6 |
| 119717-11650 | 4 | 28 |
| 119717-13110 | 5 | 2 |
| | 15 | 9 |
| 119717-13600 | 5 | 3 |
| 119717-21200 | 7 | 5 |
| 119717-22300 | 7 | 24 |
| 119717-23200 | 7 | 30 |
| 119717-23910 | 7 | 33 |
| 119717-25050 | 6 | 10 |
| 119717-25101 | 6 | 11 |
| 119717-25911 | 6 | 17 |
| 119717-25930 | 6 | 16 |
| 119717-32050 | 2 | 21 |
| | 15 | 13 |
| 119717-32060 | 8 | 3 |
| | 15 | 14 |
| 119717-32080 | 2 | 11 |
| 119717-32100 | 2 | 10 |
| 119717-32110 | 2 | 15 |
| 119717-32120 | 2 | 16 |
| 119717-35140 | 8 | 10 |
| 119717-39210 | 8 | 12 |

| Parts No. | Fig. No. | Ref. No. |
|--------------|----------|----------|
| 119717-42031 | 9 | 3 |
| 119717-42350 | 9 | 16 |
| 119717-49800 | 9 | 21 |
| 119717-51150 | 6 | 18 |
| 119717-51420 | 10 | 63 |
| 119717-51711 | 10 | 88 |
| 119717-51750 | 10 | 89 |
| 119717-51761 | 10 | 90 |
| 119717-51860 | 10 | 104 |
| 119717-51930 | 11 | 2 |
| 119717-61050 | 11 | 3 |
| 119717-61060 | 11 | 96 |
| 119717-61070 | 11 | 4 |
| 119717-77801 | 4 | 58 |
| 119717-77820 | 4 | 59 |
| 119718-07910 | 4 | 56 |
| 119734-01590 | 2 | 4 |
| 119740-77251 | 14 | 16 |
| 119802-03100 | 4 | 40 |
| 119802-03110 | 4 | 41 |
| 119802-03121 | 4 | 42 |
| 119802-03131 | 4 | 43 |
| 119802-03141 | 4 | 44 |
| 119802-13620 | 5 | 4 |
| 119802-32130 | 2 | 17 |
| 119810-01200 | 1 | 27 |
| 119810-02941 | 1 | 35 |
| 119813-59950 | 12 | 44 |
| 119840-59570 | 12 | 42 |
| 119910-77200 | 14 | 1 |
| 119940-77270 | 14 | 18 |
| 119C00-61900 | 11 | 82 |
| 119C10-01330 | 1 | 28 |
| | 15 | 2 |
| 119C10-11100 | 4 | 14 |
| 119C10-11110 | 4 | 15 |
| 119C10-11740 | 4 | 4 |
| 119C10-21580 | 7 | 9 |
| 119C10-21650 | 7 | 13 |
| 119C10-21700 | 7 | 1 |
| 119C10-21930 | 7 | 15 |
| | 15 | 11 |
| 119C10-21940 | 7 | 16 |
| 119C10-22080 | 7 | 18 |
| 119C10-22500 | 7 | 20 |
| 119C10-22550 | 7 | 38 |
| 119C10-22900 | 7 | 36 |
| 119C10-42320 | 9 | 9 |
| 119C10-51250 | 10 | 109 |
| 119C10-53000 | 12 | 1 |

| Parts No. | Fig. No. | Ref. No. |
|--------------|----------|----------|
| 119C10-53010 | 12 | 3 |
| 119C10-59850 | 12 | 20 |
| 119C10-59860 | 12 | 24 |
| 119C10-59870 | 12 | 28 |
| 119C16-95000 | 1 | 1 |
| 121250-44901 | 9 | 25 |
| 121267-44760 | 9 | 23 |
| 121520-34810 | 8 | 2 |
| 121850-51960 | 2 | 22 |
| | 15 | 18 |
| 122710-51090 | 10 | 9 |
| 124060-01050 | 1 | 12 |
| 124066-59100 | 12 | 40 |
| 124085-02220 | 3 | 4 |
| 124160-01751 | 2 | 30 |
| | 4 | 35 |
| 124160-01910 | 1 | 13 |
| 124465-44950 | 9 | 26 |
| | 15 | 16 |
| 124950-21600 | 7 | 12 |
| 129001-32320 | 2 | 13 |
| 129001-32330 | 2 | 14 |
| 129005-59830 | 8 | 13 |
| 129100-01580 | 3 | 1 |
| | 7 | 2 |
| 129100-52200 | 10 | 108 |
| 129129-77230 | 13 | 4 |
| 129129-77240 | 13 | 5 |
| 129129-77260 | 13 | 7 |
| 129129-77270 | 13 | 8 |
| 129129-77320 | 13 | 12 |
| 129129-77340 | 13 | 15 |
| 129129-77350 | 13 | 16 |
| 129129-77362 | 13 | 17 |
| 129129-77380 | 13 | 19 |
| 129129-77390 | 13 | 21 |
| 129129-77400 | 13 | 24 |
| 129129-77410 | 13 | 25 |
| 129129-77430 | 13 | 30 |
| 129129-77440 | 13 | 22 |
| 129129-77450 | 13 | 23 |
| 129129-77460 | 13 | 11 |
| 129150-11230 | 4 | 29 |
| 129150-11750 | 4 | 31 |
| 129150-25301 | 6 | 15 |
| 129150-49360 | 9 | 28 |
| | 15 | 17 |
| 129150-59120 | 12 | 15 |
| 129150-59131 | 12 | 18 |
| 129155-51020 | 10 | 5 |

Parts No. Index

| Parts No. | Fig. No. | Ref. No. |
|--------------|----------|----------|
| 129155-51280 | 10 | 53 |
| | | 54 |
| | 11 | 6 |
| 129155-51400 | 10 | 61 |
| 129155-51580 | 10 | 85 |
| 129155-51701 | 10 | 87 |
| 129155-52051 | 10 | 107 |
| 129155-61460 | 11 | 79 |
| 129255-61410 | 11 | 13 |
| 129350-49530 | 9 | 20 |
| 129407-77210 | 13 | 2 |
| 129407-77220 | 13 | 3 |
| 129407-77300 | 13 | 9 |
| 129407-77330 | 13 | 13 |
| 129407-77410 | 13 | 27 |
| 129508-11180 | 4 | 17 |
| 129900-32130 | 2 | 12 |
| 129901-11450 | 4 | 1 |
| | 15 | 7 |
| 129901-53800 | 12 | 4 |
| 129901-59560 | 12 | 38 |
| | 15 | 19 |
| 129972-77341 | 14 | 20 |
| 158552-61900 | 11 | 85 |
| 158600-51270 | 10 | 52 |
| 158600-51410 | 10 | 62 |
| 158600-51420 | 10 | 64 |
| 158600-51570 | 10 | 84 |
| 158600-51790 | 10 | 91 |
| 171056-49120 | 9 | 18 |
| 171056-49351 | 9 | 27 |
| 22190-080002 | 8 | 14 |
| | | 16 |
| | 15 | 20 |
| 22190-100002 | 11 | 88 |
| 22190-120002 | 12 | 50 |
| | | 55 |
| | 15 | 21 |
| 22190-160002 | 10 | 93 |
| | 15 | 22 |
| 22217-120000 | 10 | 94 |
| 22242-000120 | 4 | 32 |
| 22252-000220 | 7 | 25 |
| 22351-050010 | 10 | 95 |
| 22351-060012 | 4 | 21 |
| 22372-040000 | 11 | 90 |
| 22512-040120 | 7 | 6 |
| | | 17 |
| 22857-500100 | 4 | 50 |
| | | 51 |

| Parts No. | Fig. No. | Ref. No. |
|--------------|----------|----------|
| 22857-500160 | 4 | 52 |
| 23001-022000 | 3 | 14 |
| | | 15 |
| 23414-080000 | 9 | 13 |
| | 15 | 23 |
| 23857-030000 | 8 | 15 |
| 23876-005000 | 4 | 13 |
| 23876-030000 | 2 | 8 |
| 24104-062010 | 14 | 5 |
| 24311-000320 | 2 | 31 |
| | 4 | 53 |
| | 15 | 24 |
| 24357-240200 | 11 | 84 |
| 26022-050122 | 10 | 99 |
| 26106-060102 | 8 | 8 |
| | 11 | 70 |
| | | 91 |
| 26106-060122 | 2 | 23 |
| | 3 | 16 |
| | 6 | 9 |
| 26106-060142 | 10 | 110 |
| | 11 | 92 |
| 26106-060162 | 2 | 24 |
| 26106-060202 | 4 | 54 |
| | 11 | 93 |
| 26106-060252 | 3 | 17 |
| 26106-060302 | 9 | 24 |
| 26106-060352 | 6 | 14 |
| 26106-060402 | 2 | 25 |
| | | 26 |
| 26106-060452 | 3 | 18 |
| | 11 | 94 |
| 26106-060602 | 2 | 27 |
| 26106-060652 | 2 | 28 |
| 26106-060752 | 4 | 55 |
| 26106-080122 | 9 | 14 |
| 26106-080142 | 10 | 111 |
| 26106-080162 | 4 | 57 |
| 26106-080202 | 9 | 22 |
| | 14 | 21 |
| 26106-080402 | 4 | 34 |
| 26106-080502 | 9 | 15 |
| 26106-100252 | 13 | 31 |
| 26206-100252 | 3 | 5 |
| 26206-100302 | 3 | 6 |
| 26306-080002 | 2 | 29 |
| | 5 | 6 |
| 26306-100002 | 14 | 17 |
| 26577-060122 | 9 | 10 |
| 26716-120002 | 10 | 101 |

| Parts No. | Fig. No. | Ref. No. |
|--------------|----------|----------|
| 26756-060002 | 11 | 95 |
| 26979-050162 | 4 | 33 |
| 27241-120000 | 1 | 14 |
| 27241-250000 | 9 | 11 |
| 719717-02901 | 1 | 29 |
| 719717-02911 | 1 | 32 |
| 719734-01500 | 2 | 5 |
| 719C10-51330 | 10 | 1 |
| 719C21-92601 | 15 | 1 |
| X0280210230 | 13 | 29 |
| X0283060061 | 13 | 6 |
| X0283270140 | 13 | 26 |
| X0283712350 | 13 | 28 |
| X1280996600 | 13 | 20 |
| X2A07075KB | 14 | 3 |
| X2A10592KA | 14 | 2 |
| X3A02982KC | 14 | 4 |
| X3A08863KA | 14 | 11 |
| X4A10092KA | 14 | 6 |
| X9490561370 | 13 | 18 |
| X9491200240 | 13 | 14 |
| X9491730461 | 13 | 10 |
| XM069000000 | 14 | 7 |
| XM219230000 | 14 | 13 |
| XM771860000 | 14 | 8 |
| XM771870000 | 14 | 15 |
| XM860250000 | 14 | 12 |
| XM863720000 | 14 | 14 |
| XYSPS400800 | 14 | 10 |

| Parts No. | Fig. No. | Ref. No. |
|-----------|----------|----------|
|-----------|----------|----------|