

0CB50-M00060EN

Contents

OCB50-M00060

Fig. No. Fig. Name

Fig. No. Fig. Name

ENGINE

1. CYLINDER BLOCK
2. CRANKSHAFT & PISTON
3. CYLINDER HEAD
4. TIMING GEAR CASE & GOVERNOR
5. INJECTION PUMP & INJECTOR
6. WATER PUMP
7. ACCESSORY PARTS
8. GASKET SET

Fig.1. CYLINDER BLOCK

(A)=2TE67L-BV4

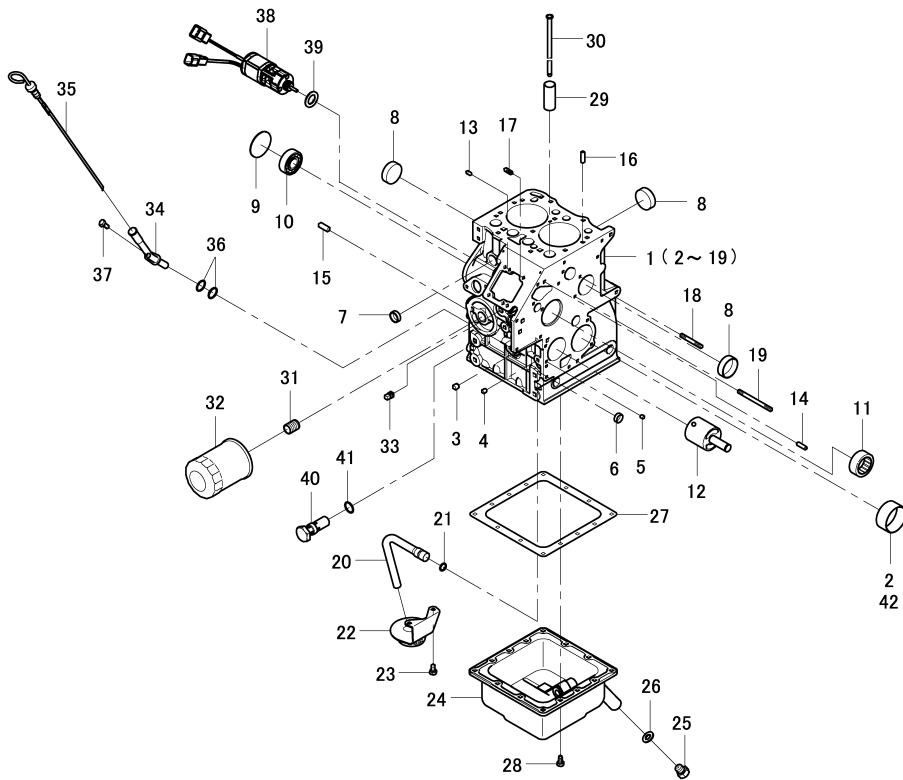
(B)=

(C)=

(D)=

(E)=

(F)=



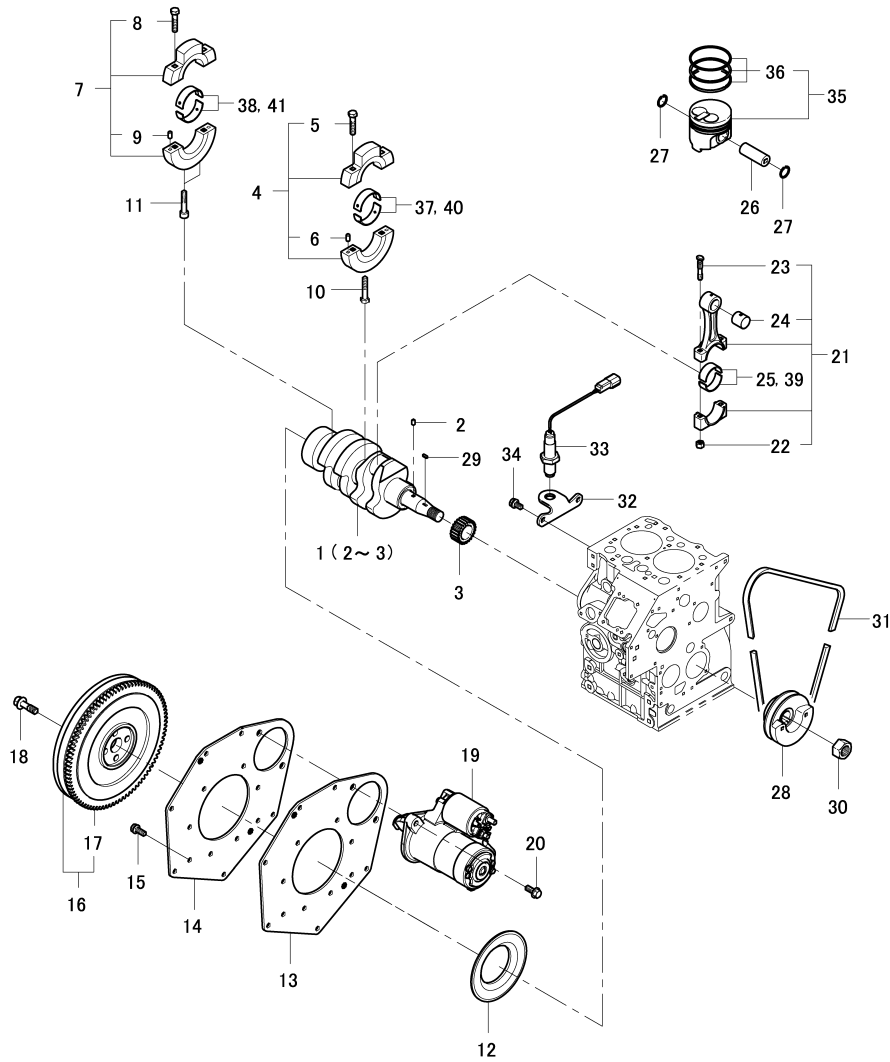
No.	Lev.	Parts No.	Description	Q'ty						I	R
				(A)	(B)	(C)	(D)	(E)	(F)		
1	1	165000-47460	CYLINDER BLOCK COMPL	1							
2	2	165000-73630	BUSH	1							
3	2	165000-23340	BLANK PLUG	4							
4	2	165000-15780	BLANK PLUG	3							
5	2	165000-15790	BLANK PLUG	1							
6	2	165000-14490	SEALING CAP	1							
7	2	165000-14500	SEALING CAP	1							
8	2	165000-14520	SEALING CAP	3							
9	2	27231-450000	PLUG 45	1							
10	2	165002-14140	BALL BEARING	1							
11	2	165000-23310	NEEDLE BEARING	1							
12	2	165000-15540	IDLE GEAR SHAFT COMP	1							
13	2	1W0305-00512	DOWEL PIN	2							
14	2	1W0305-00616	DOWEL PIN	2							
15	2	1W0305-00825	PIN,KNOCK	2							
16	2	165000-23270	SPRING PIN	2							
17	2	1W0121-00620	STUD BOLT	2							
18	2	165000-23220	STUD BOLT	1							
19	2	165000-14430	STUD BOLT	1							
20	1	165000-47470	OIL PIPE	1							
21	1	1W0521-09076	O-RING 1A P-11.0	1							
22	1	165000-47480	SUCTION FILTER COMPL	1							
23	1	1W0113-10612	BOLT	2							
24	1	165000-47490	OIL PAN COMPL	1							
25	1	1W0104-11212	BOLT	1							
26	1	22190-120000	WASHER, SEAL 12	1							
27	1	165000-14670	GASKET	1							
28	1	165000-23160	BOLT	14							
29	1	165000-14920	TAPPET	4							
30	1	165000-47500	PUSH ROD COMPL	4							
31	1	165000-15370	JOINT	1							
32	1	165000-15360	OIL FILTER COMPL	1							
33	1	1W0645-00020	PLUG	1							
34	1	165000-47510	GAUGE GUIDE COMPL	1							
35	1	165000-15750	GAUGE COMPL	1							
36	1	165000-14480	O-RING	2							
37	1	1W0113-10612	BOLT	1							
38	1	165002-14150	ACTUATORE	1							
39	1	22190-160000	WASHER, SEAL 16	1							
40	1	165000-15310	VALVE ASSY, RELIEF	1							
41	1	165000-48510	O-RING	1							
42	1	165001-18980	BUSH;U.S.0.25	1							1

Remarks

(1)Under-sized(U.S.=0.25) parts.

N:Old $\begin{matrix} \leftarrow \text{Yes} \\ \text{No} \rightarrow \end{matrix}$ New, Q:Old $\begin{matrix} \leftarrow \text{No} \\ \text{Yes} \rightarrow \end{matrix}$ New, R:Old $\begin{matrix} \leftarrow \text{Yes} \\ \text{Yes} \rightarrow \end{matrix}$ New, S:Old $\begin{matrix} \leftarrow \text{No} \\ \text{No} \rightarrow \end{matrix}$ New, W:Add, Z:Discontinued, F:Interchangeable by set, K:Q'ty Change

Fig.2. CRANKSHAFT & PISTON



(A)=2TE67L-BV4

(B)=

(C)=

(D)=

(E)=

(F)=

No.	Lev.	Parts No.	Description	Qty						I	R
				(A)	(B)	(C)	(D)	(E)	(F)		
1	1	165000-47520	CRANK SHAFT COMPL	1							
2	2	165000-23290	DOWEL PIN	1							
3	2	165000-14840	CRANK GEAR	1							
4	1	165000-47530	BEARING HOLDER ASSY	1							
5	2	1W0108-10845	BOLT, M8X45	2							
6	2	165000-23280	DOWEL PIN	2							
7	1	165000-47540	BEARING HOLDER ASSY	1							
8	2	1W0108-10845	BOLT, M8X45	2							
9	2	165000-23280	DOWEL PIN	2							
10	1	26013-080502	BOLT, M8X 50	1							
11	1	1W0107-00845	BOLT	2							
12	1	165000-15930	OIL SEAL	1							
13	1	165000-14600	REAR PLATE	1							
14	1	165000-14610	REAR PLATE	1							
15	1	26013-080202	BOLT, M8X 20	8							
16	1	165000-47580	FLYWHEEL COMPL	1							
17	2	165000-14870	RING GEAR	1							
18	1	165000-23180	BOLT	4							
19	1	165000-47590	STARTING MOTOR ASSY	1							
20	1	1W0108-10830	BOLT	2							
21	1	165000-47570	CONNECTING ROD ASSY	2							
22	2	165000-23250	NUT	2							
23	2	165000-14820	BOLT	2							
24	2	165000-15880	BUSH	2							
25	1	165001-18950	METAL;S.T.D	4							
26	1	165000-14850	PISTON PIN	2							
27	1	22252-000190	RING, 19	4							
28	1	165000-49710	CRANK SHAFT PULLEY	1							
29	1	1W0341-00508	KEY	1							
30	1	26787-180002	NUT, LOCK M18	1							
31	1	165002-14160	V-BELT:FM27.5	1							
32	1	165002-14170	BRACKET:SPEED SENSOR	1							
33	1	165002-14180	SPEED SENSOR	1							
34	1	26013-080162	BOLT, M8X 16	2							
35	1	165000-47550	PISTON KIT;S.T.D	2							
36	2	165000-47560	PISTON RING KIT;S.T.	2							
37	1	165001-18970	METAL KIT;S.T.D	1							
38	1	165000-15890	METAL KIT;S.T.D	1							
39	1	165001-18940	METAL U.S=0.25	4							1
40	1	165001-18960	METAL KIT;U.S 0.25	1							1
41	1	165000-15900	METAL KIT;U.S 0.25	1							1

Remarks

(1)Under-sized(U.S.=0.25) parts.

N:Old $\xrightarrow{\text{Yes}}$ New, Q:Old $\xrightarrow{\text{No}}$ New, R:Old $\xrightarrow{\text{Yes}}$ New, S:Old $\xrightarrow{\text{No}}$ New, W:Add, Z:Discontinued, F:Interchangeable by set, K:Qty Change

Fig.3. CYLINDER HEAD

(A)=2TE67L-BV4

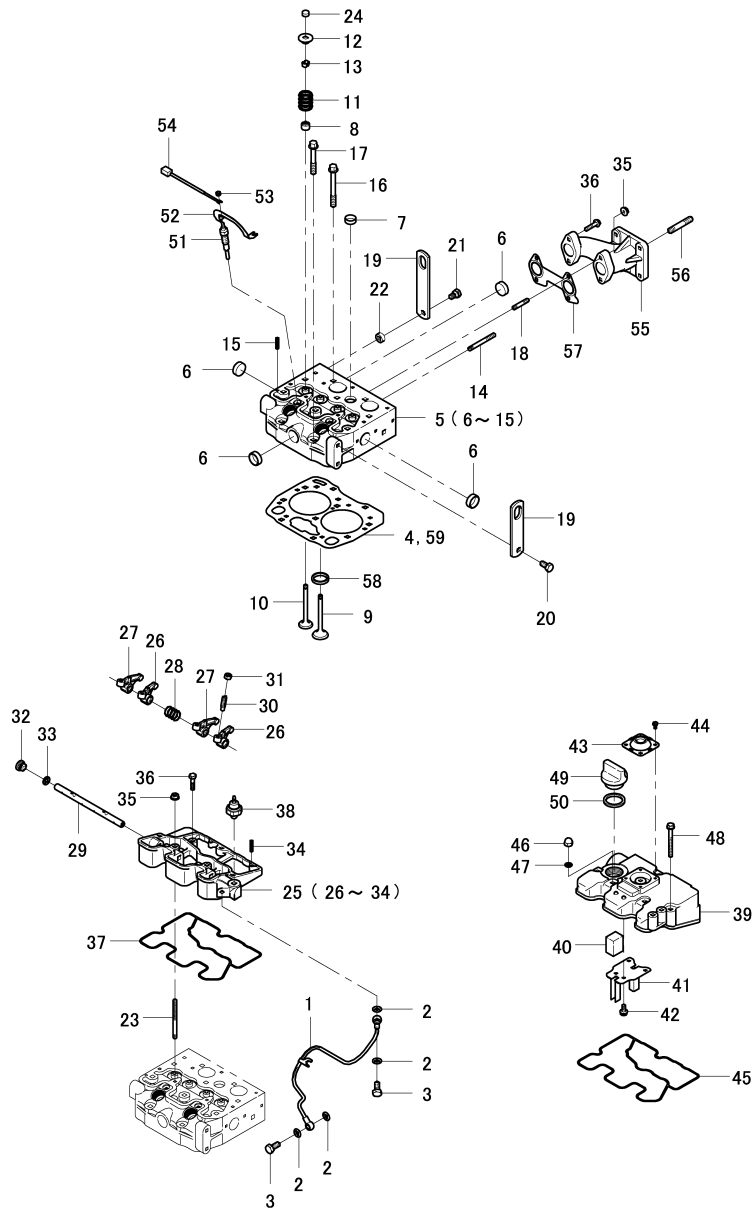
(B)=

(C)=

(D)=

(E)=

(F)=



No.	Lev.	Parts No.	Description	Q'ty						I	R
				(A)	(B)	(C)	(D)	(E)	(F)		
1	1	165000-47680	OIL PIPE COMPL	1							
2	1	165000-15400	GASKET;M8	4							
3	1	165000-15810	BOLT	2							
4	1	165000-47820	HEAD GASKET;1.2	1							
5	1	165001-28320	CYLINDER HEAD CMP	1							
6	2	165000-14510	SEALING CAP	4							
7	2	165000-14500	SEALING CAP	1							
8	2	165000-15020	VALVE GUIDE SEAL	4							
9	2	165000-47810	VALVE	2							
10	2	165000-14940	VALVE	2							
11	2	165000-15700	SPRING	4							
12	2	165000-14950	RERAINER	4							
13	2	165000-14970	COTTER	8							
14	2	165000-73070	STUD BOLT	1							
15	2	1W0303-00414	PIN	2							
16	1	165000-14710	HEAD BOLT	8							
17	1	165000-14720	HEAD BOLT	2							
18	1	1W0121-10625	STUD	2							
19	1	165000-47840	HANGER	2							
20	1	26013-080162	BOLT, M8X 16	1							
21	1	26013-080202	BOLT, M8X 20	1							
22	1	165000-47850	COLLAR	1							
23	1	165000-48270	STUD BOLT	2							
24	1	165000-14960	VALVE CAP	4							
25	1	165000-49720	ROCKER ARM ASSY	1							
26	2	165000-47630	ROCKER ARM COMPL;IN	2							
27	2	165000-47620	ROCKER ARM COMPL;EX	2							
28	2	165000-47640	SPRING	1							
29	2	165000-47650	ROCKER ARM SHAFT	1							
30	2	165000-16010	SCREW	4							
31	2	165000-23240	NUT	4							
32	2	165000-47660	PLUG	1							
33	2	24311-000100	O-RING, 1AP10.0	1							
34	2	22351-040016	PIN, SPRING 4.0X16	2							
35	1	26367-060002	NUT, M6	4							
36	1	1W0113-10625	BOLT	3							
37	1	165000-47670	GASKET	1							
38	1	165000-15610	OIL PRESSURE SWITCH	1							
39	1	165000-47710	HEAD COVER	1							
40	1	165000-47730	FILTER	1							
41	1	165000-47720	PLATE	1							
42	1	22857-400061	SCREW, 4X 6	4							
43	1	165000-47760	VALVE	1							
44	1	165000-48320	BOLT	4							
45	1	165000-47700	GASKET	1							
46	1	26657-060002	NUT, CAP M6	2							
47	1	165000-47780	GASKET;M6	2							
48	1	1W0113-10670	BOLT	3							
49	1	1W3984-30560	PLUG	1							
50	1	24311-000280	O-RING, 1AP28.0	1							
51	1	165000-47870	GLOW PLUG	2							

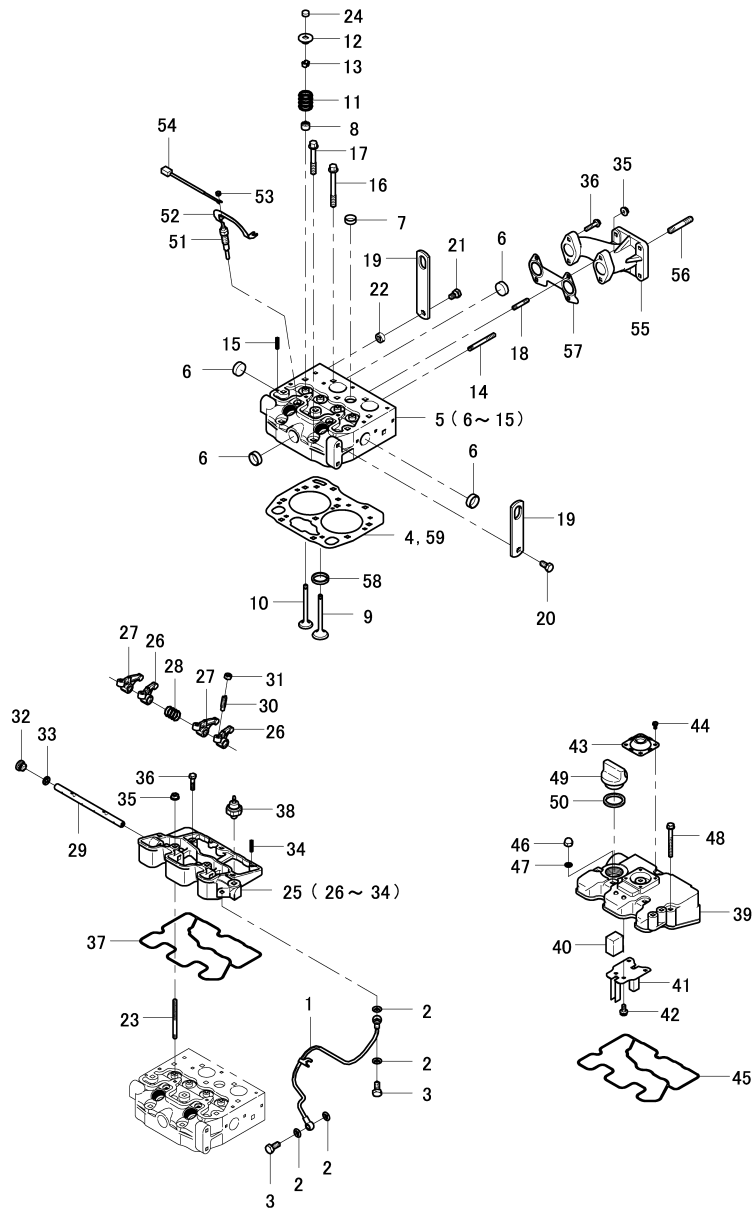
Remarks

(1)T=1.3

Fig.3. CYLINDER HEAD

(A)=2TE67L-BV4
(B)=
(C)=

(D)=
(E)=
(F)=



No.	Lev.	Parts No.	Description	Q'ty						I	R
				(A)	(B)	(C)	(D)	(E)	(F)		
52	1	165000-47880	CONNECTER	1							
53	1	26367-040002	NUT, M4	2							
54	1	165000-15640	WIRE HARNESS	1							
55	1	165000-47860	EXHAUST MANIFOLD	1							
56	1	1W0121-10820	STUD BOLT	4							
57	1	165000-15300	GASKET;EX MANIFOLD	1							
58	1	165000-47800	VALVE SEAT;IN	2							
59	1	165000-47830	HEAD GASKET;1.3	1							1

Remarks
(1)T=1.3

Fig.4. TIMING GEAR CASE & GOVERNOR

(A)=2TE67L-BV4

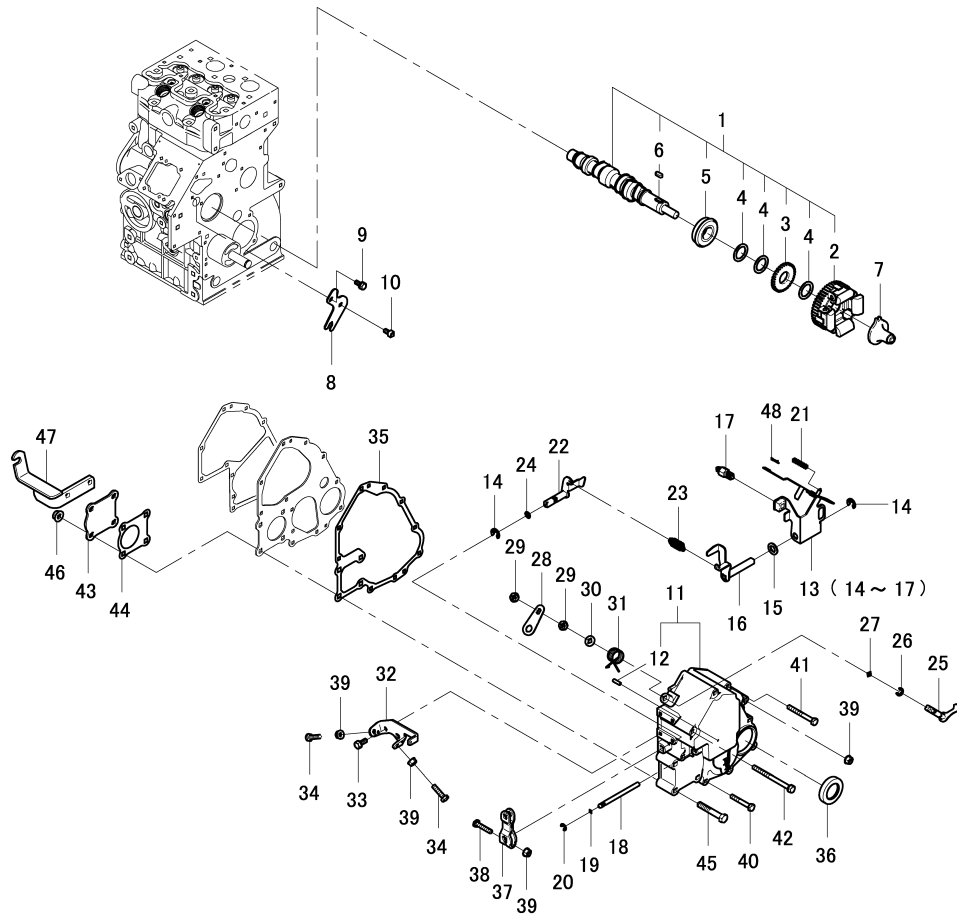
(B)=

(C)=

(D)=

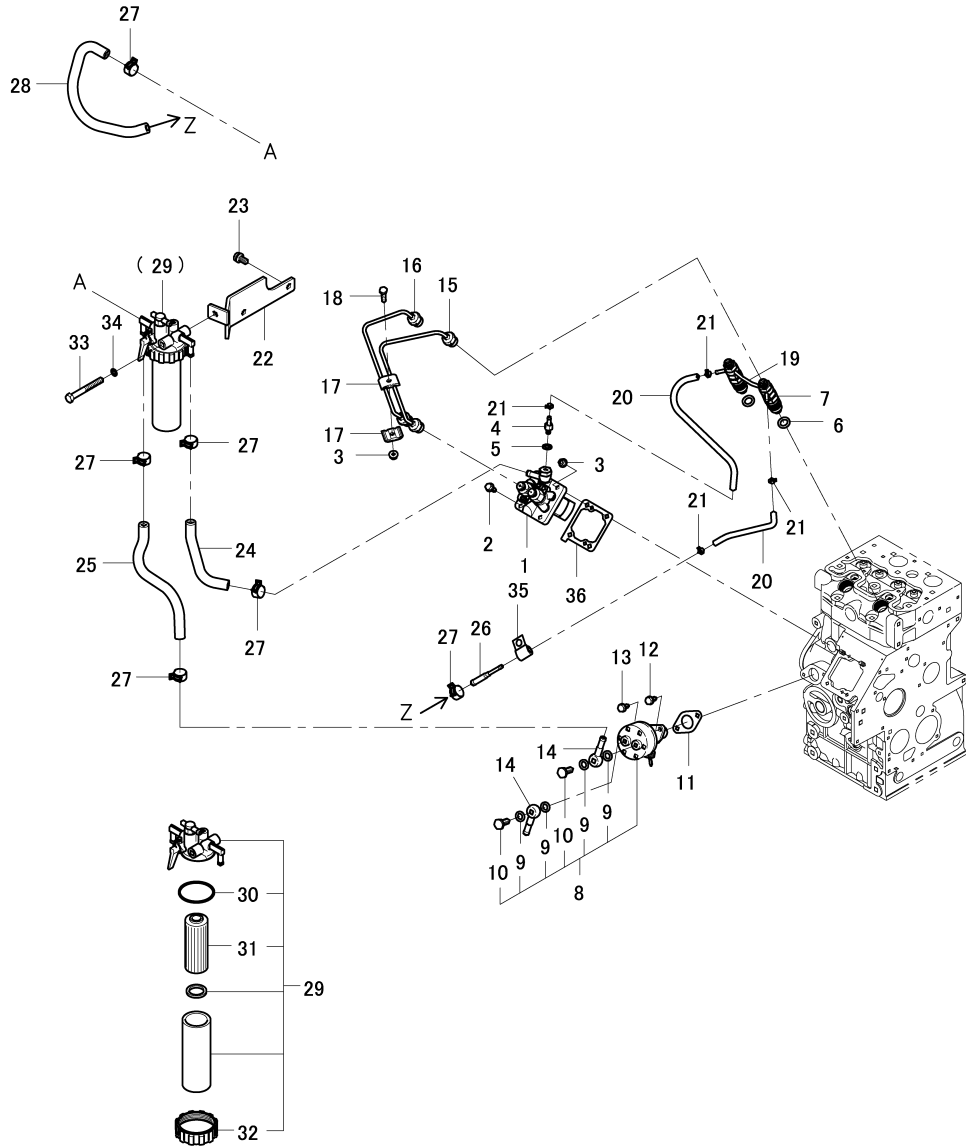
(E)=

(F)=



No.	Lev.	Parts No.	Description	Q'ty						I	R
				(A)	(B)	(C)	(D)	(E)	(F)		
1	1	165000-47890	CAMSHAFT ASSY	1							
2	2	165000-14890	CAMGEAR COMPL	1							
3	2	165000-15040	GEAR	1							
4	2	165000-15960	APACER	3							
5	2	165000-23300	BEARING	1							
6	2	1W0341-00508	KEY	1							
7	1	172A82-10101	SLIDER COMPL;FLAT	1							
8	1	165000-16020	PLATE	1							
9	1	1W0113-10612	BOLT	1							
10	1	1W0107-00610	BOLT	1							
11	1	165000-15510	TIMING GEAR CASE COM	1							
12	2	1W0303-00414	PIN	1							
13	1	165001-28330	GOVERNOR LEVER CMP	1							
14	2	22272-000080	RING, E- 8	2							
15	2	22117-100000	WASHER, 10	1							
16	2	165000-15110	GOVERNOR LEVER ASSY	1							
17	2	165002-14190	ANGLEICH SET ASSY	1							
18	1	165000-15060	SHAFT	1							
19	1	165000-14450	O-RING	2							
20	1	22272-000050	RING, E- 5	1							
21	1	165000-47910	SPRING	1							
22	1	165000-15070	ARM COMPL	1							
23	1	165000-49750	SPRING	1							
24	1	165000-14470	O-RING	1							
25	1	165000-15080	ARM COMPL	1							
26	1	22272-000060	RING, E- 6	1							
27	1	165000-14460	O-RING	1							
28	1	165000-15090	ATOP LEVER	1							
29	1	26757-080002	NUT, LOCK M8	2							
30	1	22117-080000	WASHER, 8	1							
31	1	165000-15680	SPTRING	1							
32	1	165000-15130	STAY	1							
33	1	1W0113-10614	BOLT M 6X 25	2							
34	1	165000-23170	BOLT	2							
35	1	165000-15560	GASKET	1							
36	1	165000-15940	OIL SEAL	1							
37	1	165000-15120	GOVERNOR LEVER	1							
38	1	1W0101-10630	BOLT	1							
39	1	26367-060002	NUT, M6	4							
40	1	1W0113-10640	BOLT	4							
41	1	165000-14410	BOLT	2							
42	1	165000-14420	BOLT	2							
43	1	165000-15530	COVER	1							
44	1	165000-15570	GASKET	1							
45	1	26116-080552	BOLT, M8X 55 PLATED	4							
46	1	26367-080002	NUT, M8	4							
47	1	165000-48470	STAY,CABLE SUPPORT	1							
48	1	22372-040000	PIN, SNAP 4	1							

Fig.5. INJECTION PUMP & INJECTOR



(A)=2TE67L-BV4

(B)=

(C)=

(D)=

(E)=

(F)=

No.	Lev.	Parts No.	Description	Q'ty						I	R
				(A)	(B)	(C)	(D)	(E)	(F)		
1	1	165001-28340	PUMP ASSY, INJECTION	1							
2	1	1W0113-10620	BOLT	2							
3	1	26367-060002	NUT, M6	3							
4	1	165000-47950	CONNECTOR	1							
5	1	1W0251-00006	SEAL WASHER	1							
6	1	165000-15240	GASKET	2							
7	1	165000-47980	INJECTOR ASSY	2							
8	1	165000-15160	PUMP ASSY, FEED	1							
9	2	165000-15170	GASKET	4							
10	2	165000-15180	JOINT BOLT	2							
11	1	165000-15200	GASKET;FEED PUMP	1							
12	1	1W0113-10614	BOLT M 6X 25	1							
13	1	1W0113-10616	BOLT	1							
14	1	165000-15820	EYE CPMPL	2							
15	1	165000-47990	INJECTION PIPE	1							
16	1	165000-48000	INJECTION PIPE	1							
17	1	165000-59800	CLAMP ASSY	2							
18	1	1W0101-10625	BOLT	1							
19	1	165000-47970	RETURN PIPE COMPL	1							
20	1	165000-48290	HOSE	2							
21	1	1W0672-00078	HOSE CLIP	4							
22	1	165002-14200	STAY:FUEL FILTER SB	1							
23	1	26013-080162	BOLT, M8X 16	2							
24	1	165000-14530	HOSE	1							
25	1	165000-48340	HOSE	1							
26	1	165000-15830	PIPE COMPL	1							
27	1	1W0672-00130	CLIP	6							
28	1	165000-48330	HOSE	1							
29	1	165000-15140	FUEL FILTER ASSY	1							
30	2	24311-000440	O-RING, 1AP44.0	1							
31	2	1W3607-20060	ELEMENT	1							
32	2	165000-15150	RING NUT	1							
33	1	165000-16910	BOLT	1							
34	1	22117-080000	WASHER, 8	1							
35	1	1W3991-11970	CLAMP	1							
36	1	165000-15250	SIM SET	1							

Fig.6. WATER PUMP

(A)=2TE67L-BV4

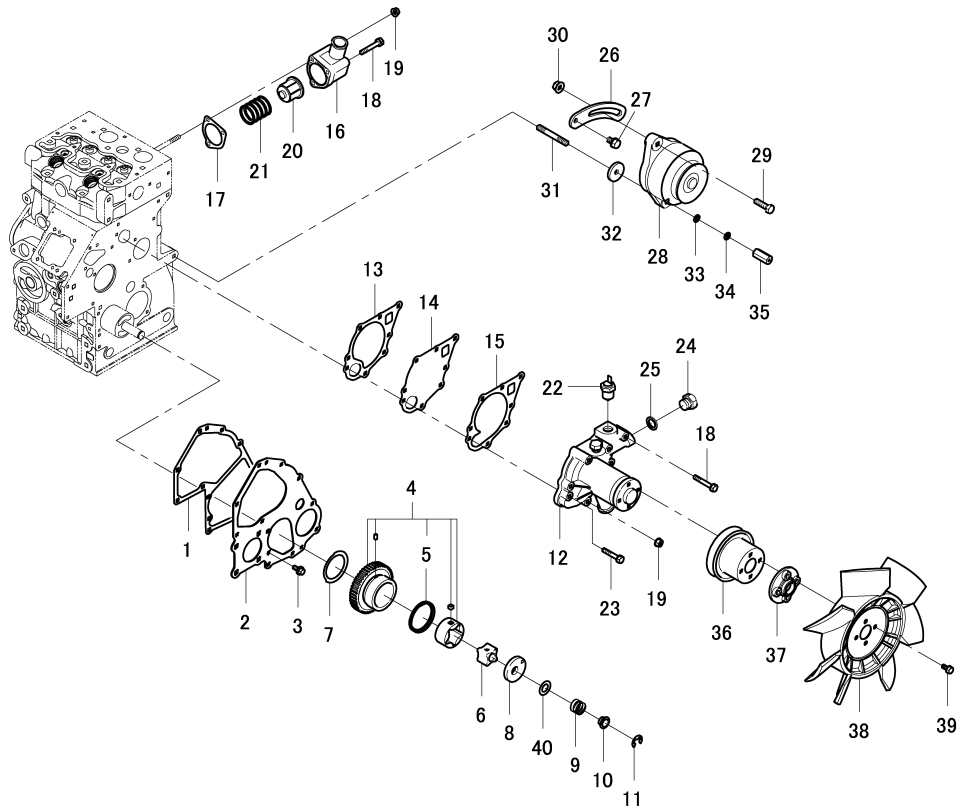
(B)=

(C)=

(D)=

(E)=

(F)=



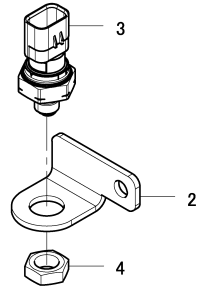
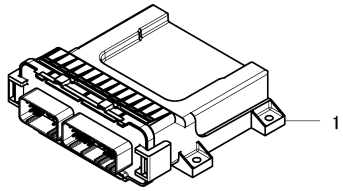
No.	Lev.	Parts No.	Description	Q'ty						I	R
				(A)	(B)	(C)	(D)	(E)	(F)		
1	1	165000-15550	GASKET	1							
2	1	165000-15520	FRONT PLATE	1							
3	1	1W0113-10612	BOLT	3							
4	1	165002-12170	IDLE GEAR ASSY	1							
5	2	165000-15690	SPRING	1							
6	1	165002-12180	ROTOR	1							
7	1	165000-15980	THRUST WASHER	1							
8	1	165000-15320	OIL PUMP COVER	1							
9	1	165000-15670	SPRING	1							
10	1	165000-15970	COLLAR	1							
11	1	22272-000100	RING, E-10	1							
12	1	165000-15410	PUMP ASSY, WATER	1							
13	1	165000-15470	GASKET;WATER PUMP	1							
14	1	165000-15420	SET PLATE	1							
15	1	165000-15480	GASKET;SET PLATE	1							
16	1	165000-15440	THERMOSTAT CASE	1							
17	1	165000-15490	GASKET;THERMO CASE	1							
18	1	1W0113-10650	BOLT	6							
19	1	26367-060002	NUT, M6	2							
20	1	165002-14220	THERMOSTAT COMPL	1							
21	1	165000-15730	SPRING	1							
22	1	165000-16030	SENSOR;THERMO SWITCH	1							
23	1	1W0113-10635	BOLT	3							
24	1	165000-16040	BOLT	1							
25	1	22190-160000	WASHER, SEAL 16	1							
26	1	165000-15650	ADJUSTING PLATE	1							
27	1	26013-080162	BOLT, M8X 16	1							
28	1	165000-15580	ALTERNATOR ASSY	1							
29	1	26116-080304	BOLT, M8X 30 PLATED	1							
30	1	26367-080002	NUT, M8	1							
31	1	165000-23230	STUD BOLT	1							
32	1	1W0261-09011	WASHER	1							
33	1	22137-080000	WASHER, 8	1							
34	1	22217-080000	WASHER, SPRING 8	1							
35	1	165000-14440	NUT	1							
36	1	165000-15460	FAN PULLEY	1							
37	1	165000-48040	SPEICER	1							
38	1	165000-48050	COOLING FAN COMPL	1							
39	1	1W0113-10625	BOLT	4							
40	1	165000-16000	SHIM SET	1							

Fig.7. ACCESSORY PARTS

(A)=2TE67L-BV4
(B)=
(C)=

(D)=
(E)=
(F)=

No.	Lev.	Parts No.	Description	Q'ty						I	R
				(A)	(B)	(C)	(D)	(E)	(F)		
1	1	165002-14210	CONTROLLER	1							1
2	1	165002-14230	BRACKET	1							
3	1	165002-14240	PRESSURE SENSOR	1							
4	1	165002-14250	NUT	1							



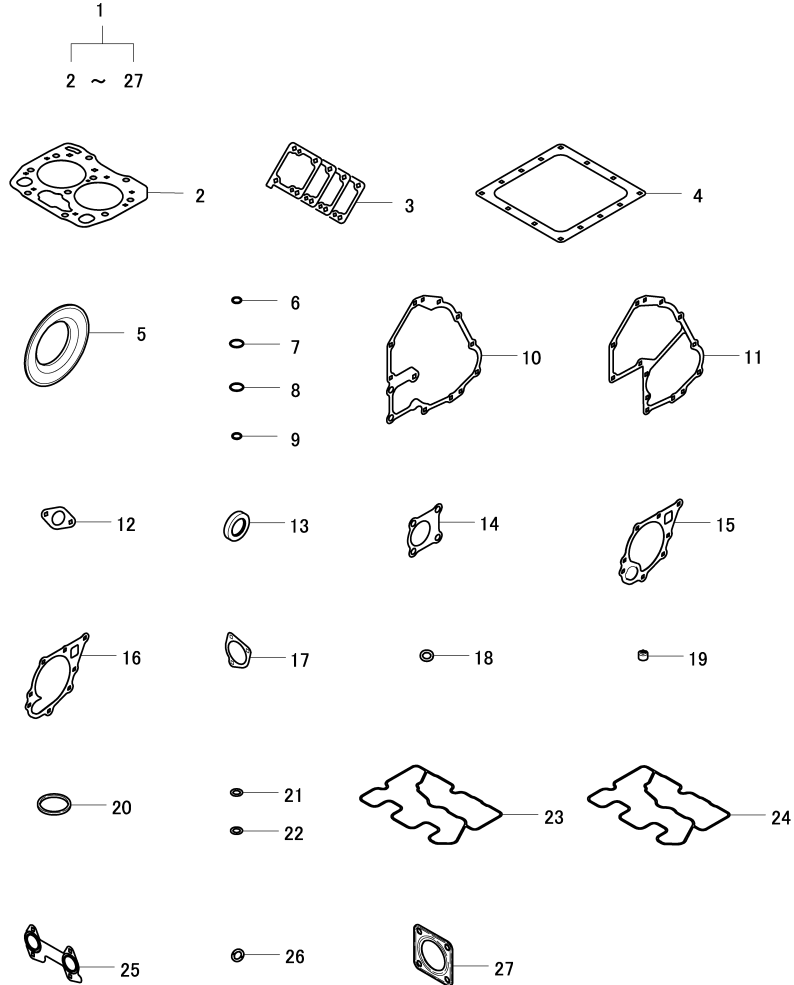
Remarks

(1)Service ECU
If the proper information is not installed, the engine will not operate.
To install proper information, go to an authorized Distributor.

Fig.8. GASKET SET

(A)=2TE67L-BV4
(B)=
(C)=

(D)=
(E)=
(F)=



No.	Lev.	Parts No.	Description	Q'ty						I	R
				(A)	(B)	(C)	(D)	(E)	(F)		
1	1	165000-48260	GASKET SET	1							1
2	2	165000-47830	HEAD GASKET;1.3	1							
3	2	165000-15250	SIM SET	1							
4	2	165000-14670	GASKET	1							
5	2	165000-15930	OIL SEAL	1							
6	2	24311-000100	O-RING, 1AP10.0	1							
7	2	1W0521-09076	O-RING 1A P-11.0	1							
8	2	165000-14480	O-RING	2							
9	2	165000-48510	O-RING	1							
10	2	165000-15560	GASKET	1							
11	2	165000-15550	GASKET	1							
12	2	165000-15200	GASKET;FEED PUMP	1							
13	2	165000-15940	OIL SEAL	1							
14	2	165000-15570	GASKET	1							
15	2	165000-15480	GASKET;SET PLATE	1							
16	2	165000-15470	GASKET;WATER PUMP	1							
17	2	165000-15490	GASKET;THERMO CASE	1							
18	2	165000-15240	GASKET	2							
19	2	165000-15020	VALVE GUIDE SEAL	4							
20	2	24311-000280	O-RING, 1AP28.0	1							
21	2	165000-47780	GASKET;M6	2							
22	2	165000-15400	GASKET;M8	4							
23	2	165000-47700	GASKET	1							
24	2	165000-47670	GASKET	1							
25	2	165000-15300	GASKET;EX MANIFOLD	1							
26	2	165000-16300	GASKET	2							
27	2	165000-23350	GASKET	1							

Remarks

(1)Optional parts.

N:Old $\xrightarrow{\text{Yes}}$ New, Q:Old $\xrightarrow{\text{No}}$ New, R:Old $\xrightarrow{\text{Yes}}$ New, S:Old $\xrightarrow{\text{No}}$ New, W:Add, Z:Discontinued, F:Interchangeable by set, K:Q'ty Change

Parts No. Index

Parts No.	Fig. No.	Ref. No.
165000-14410	4	41
165000-14420	4	42
165000-14430	1	19
165000-14440	6	35
165000-14450	4	19
165000-14460	4	27
165000-14470	4	24
165000-14480	1	36
	8	8
165000-14490	1	6
165000-14500	1	7
	3	7
165000-14510	3	6
165000-14520	1	8
165000-14530	5	24
165000-14600	2	13
165000-14610	2	14
165000-14670	1	27
	8	4
165000-14710	3	16
165000-14720	3	17
165000-14820	2	23
165000-14840	2	3
165000-14850	2	26
165000-14870	2	17
165000-14890	4	2
165000-14920	1	29
165000-14940	3	10
165000-14950	3	12
165000-14960	3	24
165000-14970	3	13
165000-15020	3	8
	8	19
165000-15040	4	3
165000-15060	4	18
165000-15070	4	22
165000-15080	4	25
165000-15090	4	28
165000-15110	4	16
165000-15120	4	37
165000-15130	4	32
165000-15140	5	29
165000-15150	5	32
165000-15160	5	8
165000-15170	5	9
165000-15180	5	10
165000-15200	5	11
	8	12
165000-15240	5	6
	8	18

Parts No.	Fig. No.	Ref. No.
165000-15250	5	36
	8	3
165000-15300	3	57
	8	25
165000-15310	1	40
165000-15320	6	8
165000-15360	1	32
165000-15370	1	31
165000-15400	3	2
	8	22
165000-15410	6	12
165000-15420	6	14
165000-15440	6	16
165000-15460	6	36
165000-15470	6	13
	8	16
165000-15480	6	15
	8	15
165000-15490	6	17
	8	17
165000-15510	4	11
165000-15520	6	2
165000-15530	4	43
165000-15540	1	12
165000-15550	6	1
	8	11
165000-15560	4	35
	8	10
165000-15570	4	44
	8	14
165000-15580	6	28
165000-15610	3	38
165000-15640	3	54
165000-15650	6	26
165000-15670	6	9
165000-15680	4	31
165000-15690	6	5
165000-15700	3	11
165000-15730	6	21
165000-15750	1	35
165000-15780	1	4
165000-15790	1	5
165000-15810	3	3
165000-15820	5	14
165000-15830	5	26
165000-15880	2	24
165000-15890	2	38
165000-15900	2	41
165000-15930	2	12
	8	5

Parts No.	Fig. No.	Ref. No.
165000-15940	4	36
	8	13
165000-15960	4	4
165000-15970	6	10
165000-15980	6	7
165000-16000	6	40
165000-16010	3	30
165000-16020	4	8
165000-16030	6	22
165000-16040	6	24
165000-16300	8	26
165000-16910	5	33
165000-23160	1	28
165000-23170	4	34
165000-23180	2	18
165000-23220	1	18
165000-23230	6	31
165000-23240	3	31
165000-23250	2	22
165000-23270	1	16
165000-23280	2	6
		9
165000-23290	2	2
165000-23300	4	5
165000-23310	1	11
165000-23340	1	3
165000-23350	8	27
165000-47460	1	1
165000-47470	1	20
165000-47480	1	22
165000-47490	1	24
165000-47500	1	30
165000-47510	1	34
165000-47520	2	1
165000-47530	2	4
165000-47540	2	7
165000-47550	2	35
165000-47560	2	36
165000-47570	2	21
165000-47580	2	16
165000-47590	2	19
165000-47620	3	27
165000-47630	3	26
165000-47640	3	28
165000-47650	3	29
165000-47660	3	32
165000-47670	3	37
	8	24
165000-47680	3	1
165000-47700	3	45

Parts No.	Fig. No.	Ref. No.
165000-47700	8	23
165000-47710	3	39
165000-47720	3	41
165000-47730	3	40
165000-47760	3	43
165000-47780	3	47
	8	21
165000-47800	3	58
165000-47810	3	9
165000-47820	3	4
165000-47830	3	59
	8	2
165000-47840	3	19
165000-47850	3	22
165000-47860	3	55
165000-47870	3	51
165000-47880	3	52
165000-47890	4	1
165000-47910	4	21
165000-47950	5	4
165000-47970	5	19
165000-47980	5	7
165000-47990	5	15
165000-48000	5	16
165000-48040	6	37
165000-48050	6	38
165000-48260	8	1
165000-48270	3	23
165000-48290	5	20
165000-48320	3	44
165000-48330	5	28
165000-48340	5	25
165000-48470	4	47
165000-48510	1	41
	8	9
165000-49710	2	28
165000-49720	3	25
165000-49750	4	23
165000-59800	5	17
165000-73070	3	14
165000-73630	1	2
165001-18940	2	39
165001-18950	2	25
165001-18960	2	40
165001-18970	2	37
165001-18980	1	42
165001-28320	3	5
165001-28330	4	13
165001-28340	5	1
165002-12170	6	4

Parts No. Index

Parts No.	Fig. No.	Ref. No.
165002-12180	6	6
165002-14140	1	10
165002-14150	1	38
165002-14160	2	31
165002-14170	2	32
165002-14180	2	33
165002-14190	4	17
165002-14200	5	22
165002-14210	7	1
165002-14220	6	20
165002-14230	7	2
165002-14240	7	3
165002-14250	7	4
172A82-10101	4	7
1W0101-10625	5	18
1W0101-10630	4	38
1W0104-11212	1	25
1W0107-00610	4	10
1W0107-00845	2	11
1W0108-10830	2	20
1W0108-10845	2	5
		8
1W0113-10612	1	23
		37
	4	9
	6	3
1W0113-10614	4	33
	5	12
1W0113-10616	5	13
1W0113-10620	5	2
1W0113-10625	3	36
	6	39
1W0113-10635	6	23
1W0113-10640	4	40
1W0113-10650	6	18
1W0113-10670	3	48
1W0121-00620	1	17
1W0121-10625	3	18
1W0121-10820	3	56
1W0251-00006	5	5
1W0261-09011	6	32
1W0303-00414	3	15
	4	12
1W0305-00512	1	13
1W0305-00616	1	14
1W0305-00825	1	15
1W0341-00508	2	29
	4	6
1W0521-09076	1	21
	8	7

Parts No.	Fig. No.	Ref. No.
1W0645-00020	1	33
1W0672-00078	5	21
1W0672-00130	5	27
1W3607-20060	5	31
1W3984-30560	3	49
1W3991-11970	5	35
22117-080000	4	30
	5	34
22117-100000	4	15
22137-080000	6	33
22190-120000	1	26
22190-160000	1	39
	6	25
22217-080000	6	34
22252-000190	2	27
22272-000050	4	20
22272-000060	4	26
22272-000080	4	14
22272-000100	6	11
22351-040016	3	34
22372-040000	4	48
22857-400061	3	42
24311-000100	3	33
	8	6
24311-000280	3	50
	8	20
24311-000440	5	30
26013-080162	2	34
	3	20
	5	23
	6	27
26013-080202	2	15
	3	21
26013-080502	2	10
26116-080304	6	29
26116-080552	4	45
26367-040002	3	53
26367-060002	3	35
	4	39
	5	3
	6	19
26367-080002	4	46
	6	30
26657-060002	3	46
26757-080002	4	29
26787-180002	2	30
27231-450000	1	9

Parts No.	Fig. No.	Ref. No.
-----------	----------	----------

Parts No.	Fig. No.	Ref. No.
-----------	----------	----------