

0CB50-M00010EN

Contents

OCB50-M00010

Fig. No. Fig. Name

Fig. No. Fig. Name

ENGINE

1. CYLINDER BLOCK
2. GEAR HOUSING
3. FLYWHEEL HOUSING & OIL SUMP
4. CYLINDER HEAD & BONNET
5. EXHAUST MANIFOLD & SILENCER
6. CAMSHAFT & DRIVING GEAR
7. CRANKSHAFT & PISTON
8. LUB. OIL SYSTEM
9. COOLING WATER SYSTEM
10. FUEL INJECTION PUMP
11. GOVERNOR
12. FUEL INJECTION VALVE
13. FUEL PIPING
14. STARTER MOTOR
15. GENERATOR
16. GASKET SET

Fig.1. CYLINDER BLOCK

(A)=3TNV80F-SXNBV

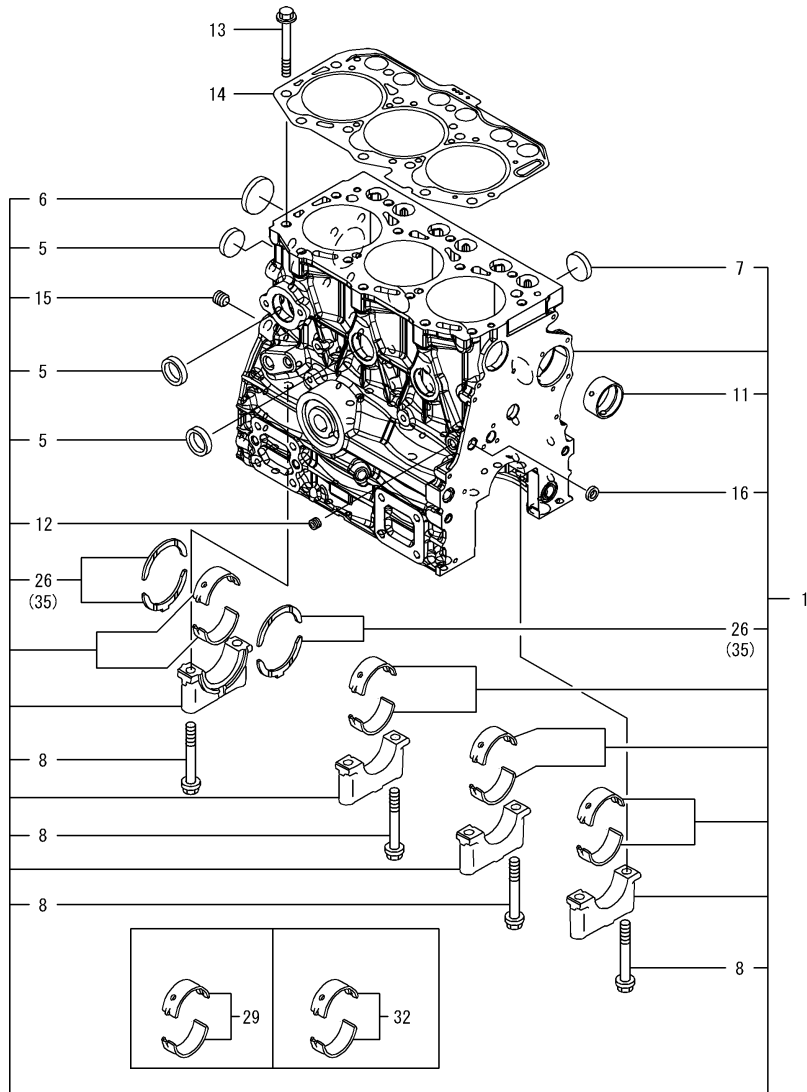
(B)=

(C)=

(D)=

(E)=

(F)=

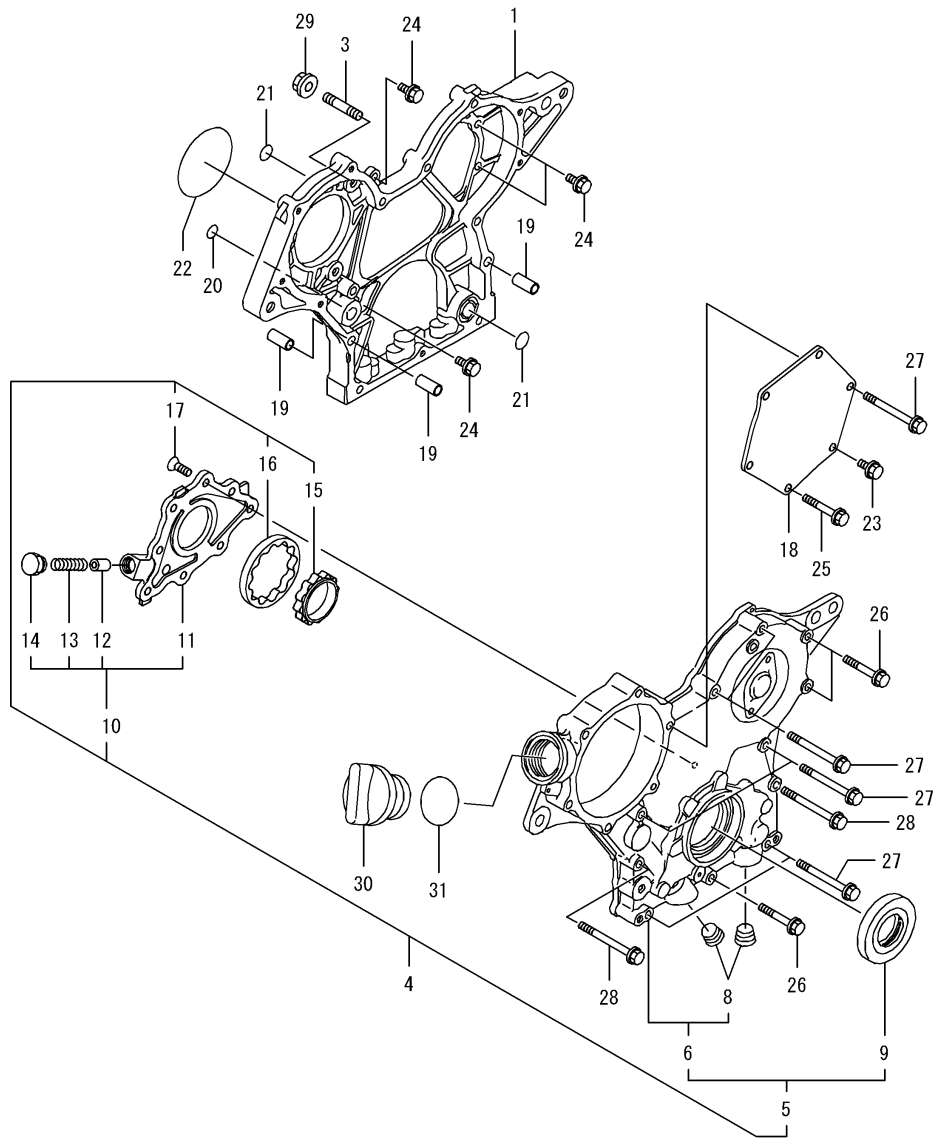


No.	Lev.	Parts No.	Description	Q'ty						I	R
				(A)	(B)	(C)	(D)	(E)	(F)		
1	1	119E00-01560	BLOCK ASSY, CYLINDER	1							
5	2	105311-01090	PLUG, 30	4							
6	2	119623-01250	PLUG, 45	1							
7	2	119285-01990	PLUG, 25	3							
8	2	119620-02020	BOLT, METAL CAP	8							
11	2	119717-02411	BUSH, CAMSHAFT	1							
12	2	124060-01050	PLUG, PT1/8	1							
13	2	119810-01200	BOLT, HEAD	14							
14	2	119E10-01330	GASKET SET, HEAD	1							
15	2	124160-01910	PLUG, PT1/4	1							
16	2	27241-120000	PLUG, 12	1							
26	2	119717-02930	BEARING, THRUST	2							
29	1	719717-02901	BEARING, MAIN	4							1
32	1	719717-02911	BEARING, 0.25 US	4							2
35	1	119810-02941	BEARING, THRUST 0.25	2							3

Remarks

- (1) Spare parts.
- (2) Under-sized (U.S.=0.25) parts.
- (3) Over-sized (O.S.=0.25) parts.

Fig.2. GEAR HOUSING



(A)=3TNV80F-SXNBV

(B)=

(C)=

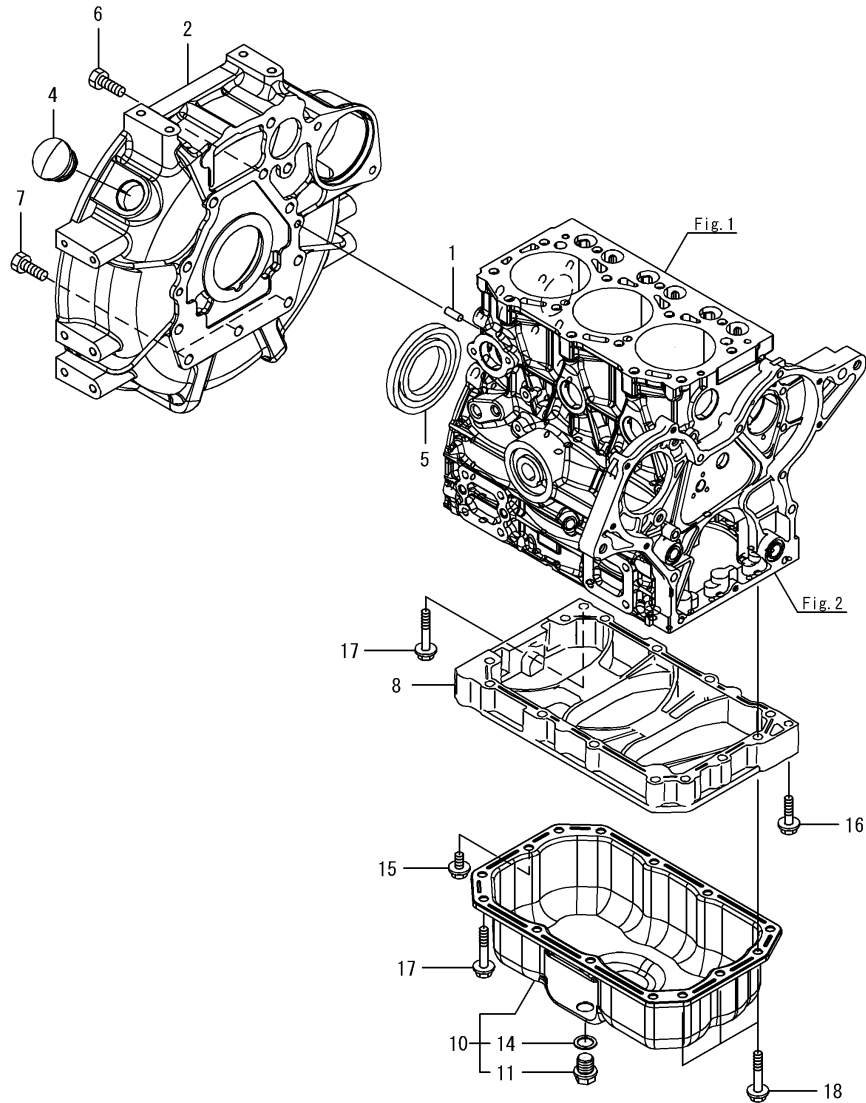
(D)=

(E)=

(F)=

No.	Lev.	Parts No.	Description	Q'ty						I	R
				(A)	(B)	(C)	(D)	(E)	(F)		
1	1	119717-01501	CASE, GEAR	1							
3	1	119717-01570	STUD	3							
4	1	119734-01590	COVER ASSY,GEAR CASE	1							
5	2	719734-01500	COVER ASSY,GEAR CASE	1							
6	3	119717-01521	COVER, GEAR CASE	1							
8	4	23876-030000	PLUG, R03	2							
9	3	119717-01800	SEAL, OIL	1							
10	2	119717-32100	COVER ASSY	1							
11	3	119717-32080	COVER	1							
12	3	129900-32130	VALVE, RELIEF	1							
13	3	129001-32320	SPRING	1							
14	3	129001-32330	PLUG	1							
15	2	119717-32110	ROTOR, INNER	1							
16	2	119717-32120	ROTOR, OUTER	1							
17	2	119802-32130	SCREW, M6X16	8							
18	1	119717-01750	COVER	1							
19	1	119660-01911	PIPE, KNOCK	4							
20	1	119624-32040	O-RING, P12.0	1							
21	1	119717-32050	O-RING, P17.0	3							
22	1	121850-51960	O-RING	1							
23	1	26106-060122	BOLT, M6X 12 PLATED	1							
24	1	26106-060162	BOLT, M6X 16 PLATED	4							
25	1	26106-060402	BOLT, M6X 40 PLATED	4							
26	1	26106-060402	BOLT, M6X 40 PLATED	3							
27	1	26106-060602	BOLT, M6X 60 PLATED	7							
28	1	26106-060652	BOLT, M6X 65 PLATED	2							
29	1	26306-080002	NUT, M8	3							
30	1	124160-01751	COVER, FILLER	1							
31	1	24311-000320	O-RING, 1AP32.0	1							

Fig.3. FLYWHEEL HOUSING & OIL SUMP



(A)=3TNV80F-SXNBV
(B)=
(C)=

(D)=
(E)=
(F)=

No.	Lev.	Parts No.	Description	Q'ty						I	R
				(A)	(B)	(C)	(D)	(E)	(F)		
1	1	129100-01580	PIN, 8X16	2							
2	1	119717-01601	HOUSING, FLYWHEEL	1							
4	1	119620-01750	CAP	1							
5	1	124085-02220	SEAL, OIL	1							
6	1	26206-100252	BOLT, M10X 25 PLATED	8							
7	1	26206-100302	BOLT, M10X 30 PLATED	3							
8	1	119717-01720	SPACER, OIL SUMP	1							
10	1	119740-01770	SUMP ASSY, OIL	1							
11	2	105425-01690	PLUG, 16	1							
14	2	22190-160002	WASHER, SEAL 16	1							
15	1	26106-080122	BOLT, M8X 12 PLATED	1							
16	1	26106-080302	BOLT, M8X 30 PLATED	1							
17	1	26106-080452	BOLT, M8X 45 PLATED	11							
18	1	26106-080502	BOLT, M8X 50 PLATED	3							

Fig.4. CYLINDER HEAD & BONNET

(A)=3TNV80F-SXNBV

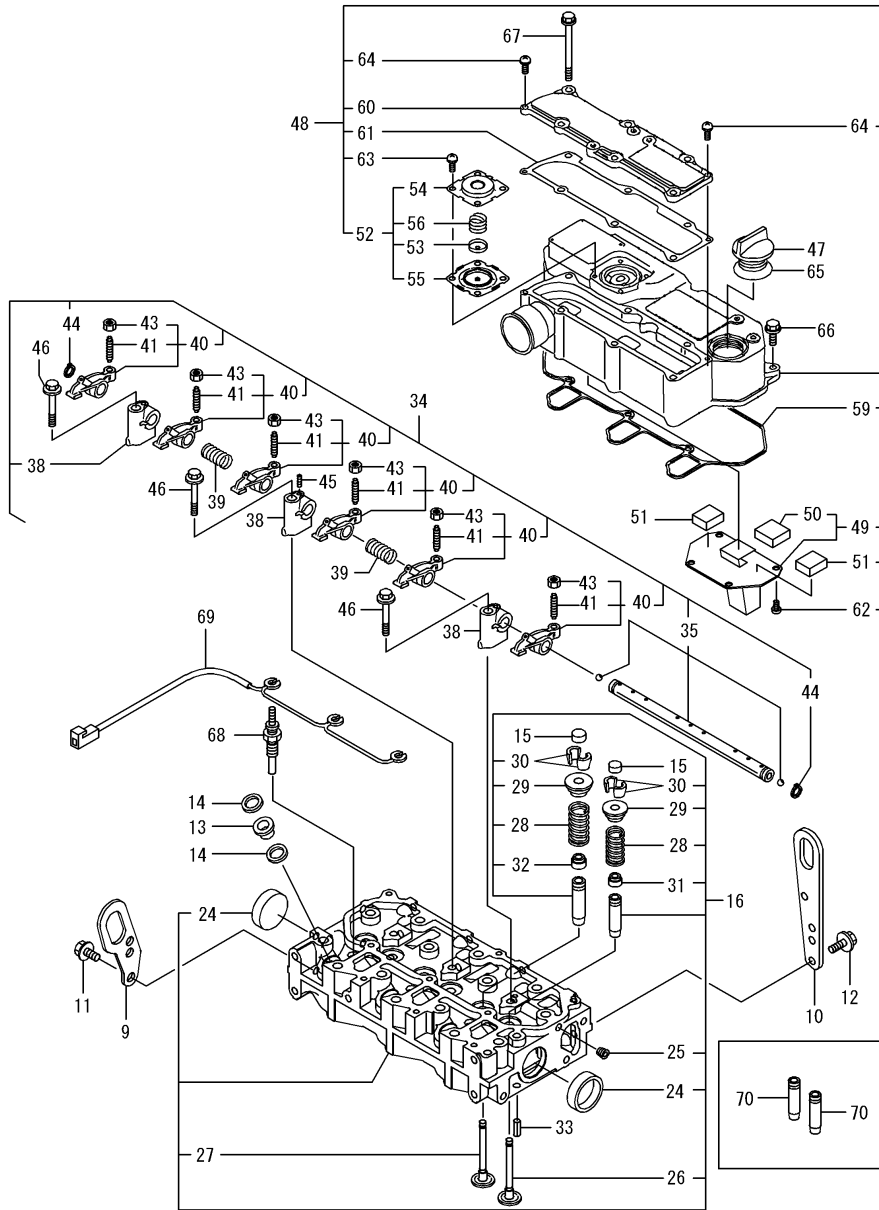
(B)=

(C)=

(D)=

(E)=

(F)=



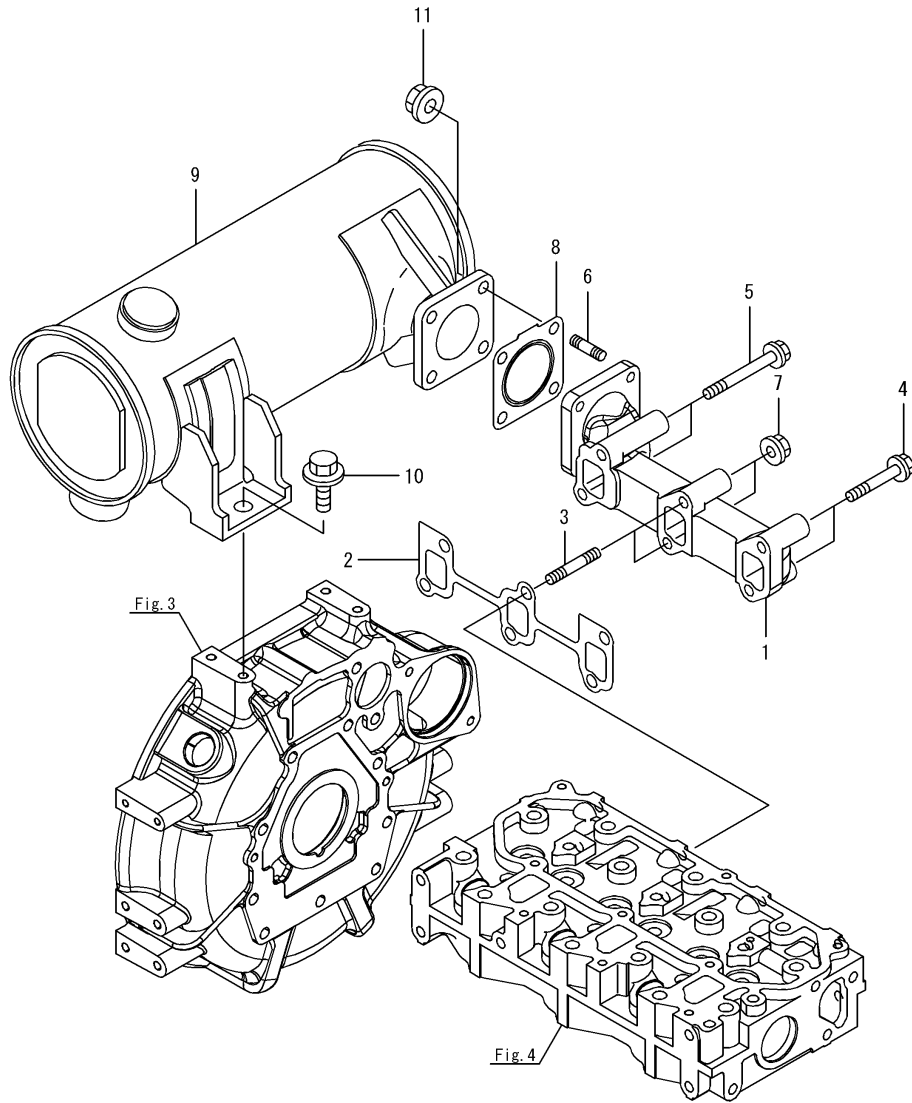
No.	Lev.	Parts No.	Description	Qty						I	R
				(A)	(B)	(C)	(D)	(E)	(F)		
9	1	119626-07900	LIFTER	1							
10	1	119940-07900	LIFTER, ENGINE	1							
11	1	26106-080142	BOLT, M8X 14 PLATED	2							
12	1	26106-080162	BOLT, M8X 16 PLATED	2							
13	1	129901-11450	PROTECTOR, NOZZLE	3							
14	1	119600-11460	GASKET, NOZZLE	6							
15	1	105010-11490	CAP, VALVE	6							
16	1	119E10-11740	HEAD ASSY, CYLINDER	1							
24	3	119285-11990	PLUG, 35	2							
25	3	23876-005000	PLUG, R005	1							
26	2	119E10-11100	VALVE, SUCTION	3							
27	2	119E10-11110	VALVE, EXHAUST	3							
28	2	119717-11131	SPRING, VALVE	6							
29	2	129508-11180	RETAINER, SPRING	6							
30	2	119717-11190	COTTER	12							
31	2	119717-11340	SEAL, VALVE STEM	3							
32	2	119717-11350	SEAL, VALVE STEM	3							
33	1	22351-060012	PIN, SPRING 6.0X12	2							
34	1	119717-11200	SUPPORT ASSY, ARM	1							
35	2	119717-11240	SHAFT ASSY, ROCKER	1							
38	2	119717-11260	SUPPORT, ROCKER ARM	3							
39	2	119620-11280	SPRING	2							
40	2	119717-11650	ARM, ROCKER	6							
41	3	129150-11230	SCREW, VALVE ADJUST	6							
43	3	129150-11750	NUT, M8	6							
44	2	22242-000120	RING, 12	2							
45	2	26979-050162	SCREW, M5X16	1							
46	1	26106-080402	BOLT, M8X 40 PLATED	3							
47	1	124160-01751	COVER, FILLER	1							
48	1	119717-11381	BONNET ASSY, HEAD	1							
49	2	119717-03031	PLATE	1							
50	3	119717-03070	BAFFLE, BREATHER	1							
51	2	119717-03070	BAFFLE, BREATHER	2							
52	2	119802-03100	DIAPHRAGM ASSY	1							
53	3	119802-03110	PLATE	1							
54	3	119802-03121	COVER, DIAPHRAGM	1							
55	3	119802-03131	DIAPHRAGM	1							
56	3	119802-03141	SPRING, DIAPHRAGM	1							
59	2	119718-11310	GASKET, BONNET	1							
60	2	119717-11320	COVER, BONNET	1							
61	2	119717-11331	GASKET	1							
62	2	22857-500100	SCREW, 5X10	4							
63	2	22857-500100	SCREW, 5X10	4							
64	2	22857-500160	SCREW, 5X16	2							
65	1	24311-000320	O-RING, 1AP32.0	1							
66	1	26106-060202	BOLT, M6X 20 PLATED	3							
67	1	26106-060752	BOLT, M6X 75 PLATED	6							
68	1	119717-77801	PLUG, GLOW	3							
69	1	119717-77820	CONNECTOR, GLOW PLUG	1							
70	1	119717-11800	GUIDE, VALVE	6							

Remarks

(1) Spare parts.

N:Old \xrightarrow{Yes} New, Q:Old \xrightarrow{No} New, R:Old \xrightarrow{Yes} New, S:Old \xrightarrow{No} New, W:Add, Z:Discontinued, F:Interchangeable by set, K:Q'ty Change

Fig.5. EXHAUST MANIFOLD & SILENCER

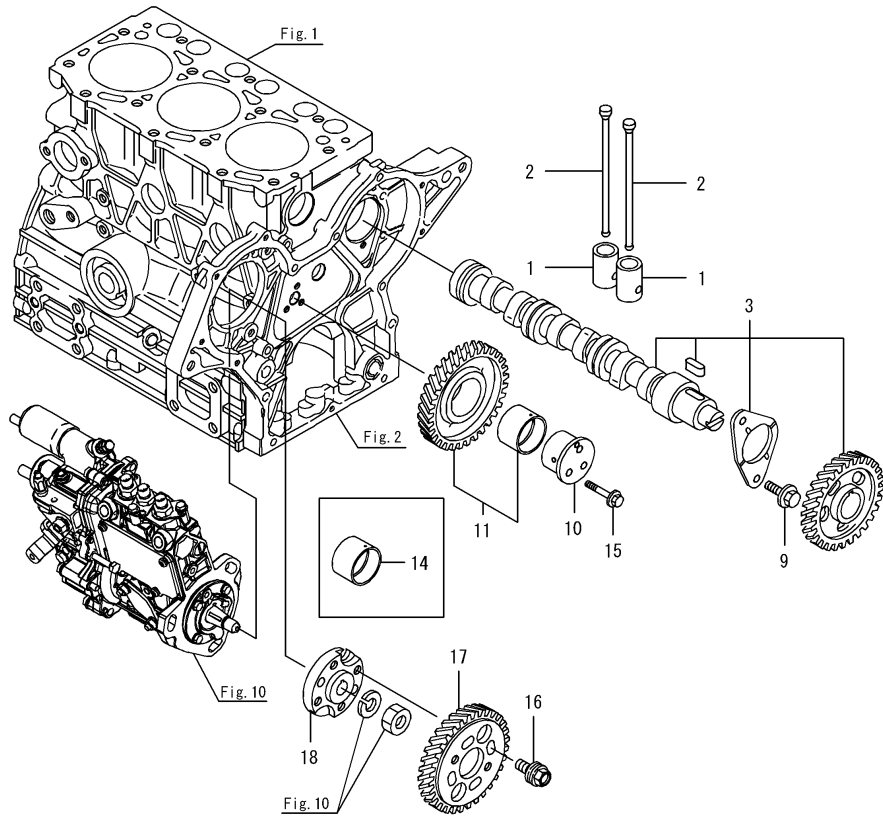


(A)=3TNV80F-SXNBV
(B)=
(C)=

(D)=
(E)=
(F)=

No.	Lev.	Parts No.	Description	Q'ty						I	R
				(A)	(B)	(C)	(D)	(E)	(F)		
1	1	119740-13100	MANIFOLD, EXHAUST	1							
2	1	119717-13110	GASKET	1							
3	1	119717-13600	STUD, M8X50	2							
4	1	119802-13620	BOLT, M8X50	2							
5	1	123900-13620	BOLT, M8X70	2							
6	1	119131-18320	STUD, M8X22	4							
7	1	26306-080002	NUT, M8	2							
8	1	119515-13200	GASKET, SILENCER	1							
9	1	119740-13500	SILENCER	1							
10	1	26106-100162	BOLT, M10X 16 PLATED	1							
11	1	26306-080002	NUT, M8	4							

Fig.6. CAMSHAFT & DRIVING GEAR



(A)=3TNV80F-SXNBV
(B)=
(C)=

(D)=
(E)=
(F)=

No.	Lev.	Parts No.	Description	Q'ty						I	R
				(A)	(B)	(C)	(D)	(E)	(F)		
1	1	119620-14200	TAPPET	6							
2	1	119717-14400	ROD, PUSH	6							
3	1	119717-14581	CAMSHAFT ASSY	1							
9	1	26106-060122	BOLT, M6X 12 PLATED	2							
10	1	119717-25050	SHAFT, IDLE	1							
11	1	119717-25101	GEAR ASSY, IDLE	1							
14	1	119717-25911	BUSH, IDLE GEAR	1							1
15	1	26106-060352	BOLT, M6X 35 PLATED	3							
16	1	129150-25301	BOLT	4							
17	1	119717-25930	GEAR, PUMP	1							
18	2	119717-51150	FLANGE	1							

Remarks

(1)Spare parts.

N:Old $\xleftrightarrow{\text{Yes/No}}$ New, Q:Old $\xleftrightarrow{\text{No/Yes}}$ New, R:Old $\xleftrightarrow{\text{Yes/No}}$ New, S:Old $\xleftrightarrow{\text{No/Yes}}$ New, W:Add, Z:Discontinued, F:Interchangeable by set, K:Q'ty Change

Fig.7. CRANKSHAFT & PISTON

(A)=3TNV80F-SXNBV

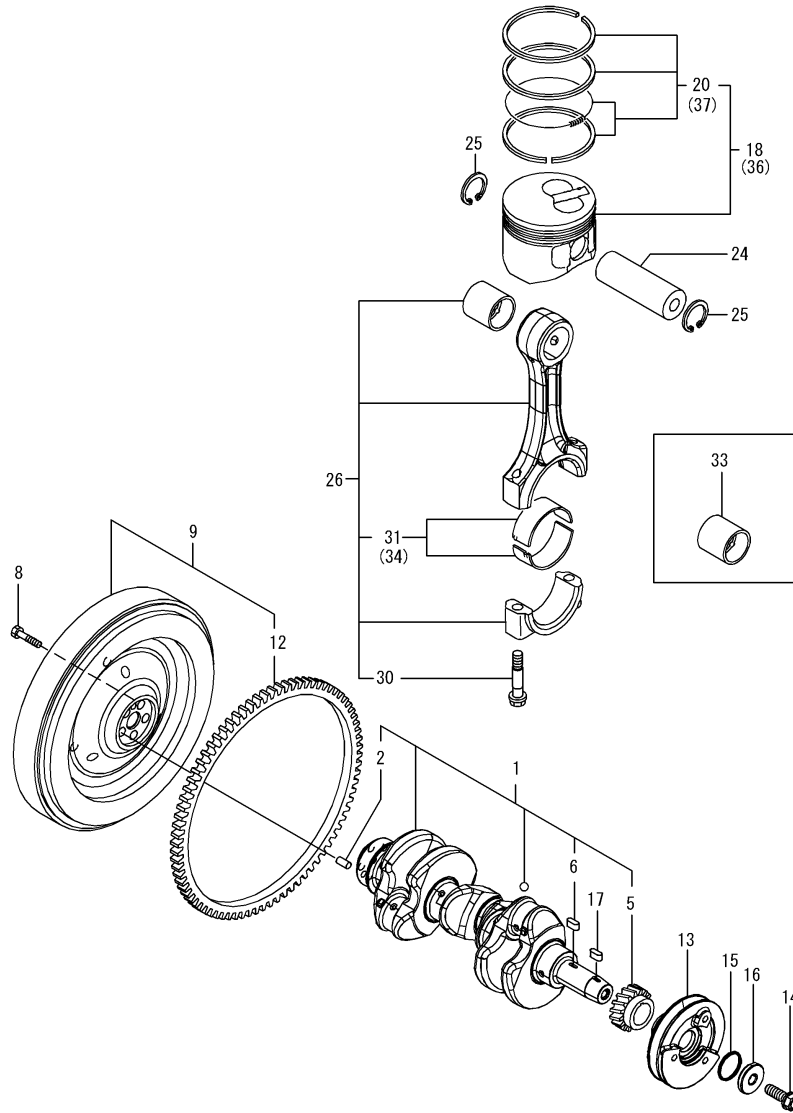
(B)=

(C)=

(D)=

(E)=

(F)=



No.	Lev.	Parts No.	Description	Q'ty						I	R
				(A)	(B)	(C)	(D)	(E)	(F)		
1	1	119E10-21700	CRANKSHAFT ASSY	1							
2	2	129100-01580	PIN, 8X16	1							
5	2	119717-21200	GEAR, CRANKSHAFT	1							
6	2	22512-040120	KEY, 4X 12	1							
8	1	121111-21501	BOLT, FLYWHEEL	5							
9	1	119E10-21590	FLYWHEEL ASSY	1							
12	2	119865-21600	GEAR, RING	1							
13	1	119C10-21650	V-PULLEY, CRANKSHAFT	1							
14	1	119621-21681	BOLT, FLANGE 12X1.25	1							
15	1	119C10-21930	PACKING, WASHER	1							
16	1	119C10-21940	WASHER, V-PULLEY	1							
17	1	22512-040120	KEY, 4X 12	1							
18	1	119E10-22080	PISTON ASSY	3							
20	2	119E10-22500	RING ASSY	3							
24	1	119E10-22300	PIN, PISTON	3							
25	1	22252-000220	RING, 22	6							
26	1	119E10-23000	ROD ASSY, CONNECTING	3							
30	2	119717-23200	BOLT, CONNECTING ROD	6							
31	2	119717-23601	BEARING, CRANK PIN	3							
33	1	119717-23910	BEARING, PISTON PIN	3							1
34	1	119717-23611	METAL ASSY, 0.25	3							2
36	1	119E10-22900	PISTON ASSY, 0.25 OS	3							3
37	2	119E10-22550	RING ASSY, 0.25	3							3

Remarks

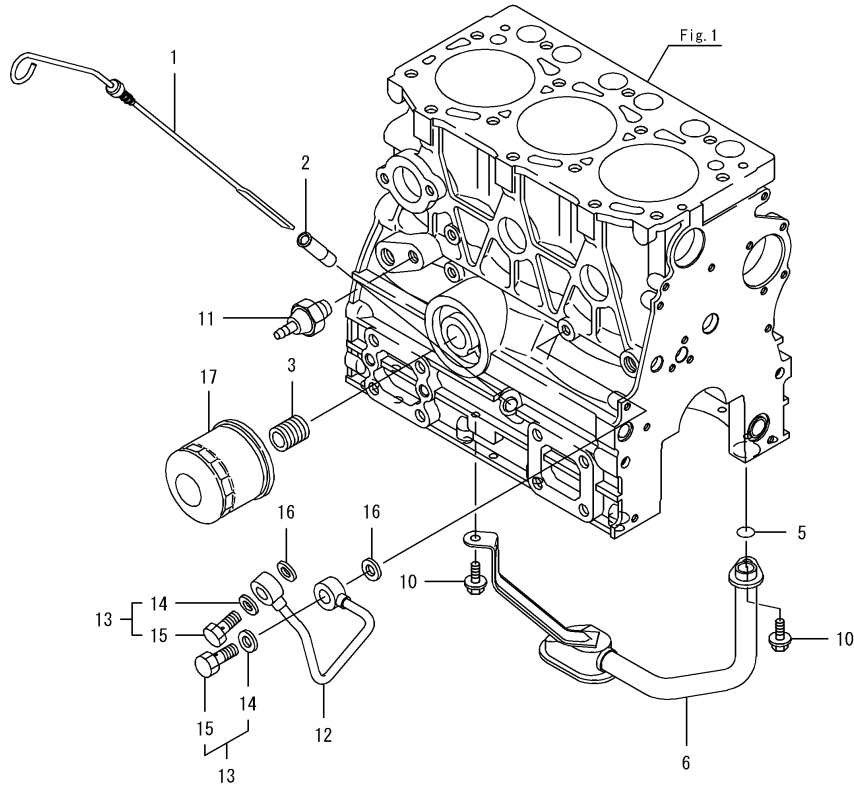
- (1) Spare parts.
- (2) Under-sized (U.S.=0.25) parts.
- (3) Over-sized (O.S.=0.25) parts.

Fig.8. LUB. OIL SYSTEM

(A)=3TNV80F-SXNBV
(B)=
(C)=

(D)=
(E)=
(F)=

No.	Lev.	Parts No.	Description	Q'ty						I	R
				(A)	(B)	(C)	(D)	(E)	(F)		
1	1	119740-34801	DIPSTICK, OIL	1							
2	1	121520-34810	GUIDE, DIPSTICK	1							
3	1	119717-35140	BOLT	1							
5	1	119717-32060	O-RING, P15.0	1							
6	1	119717-35080	PIPE ASSY, OIL INLET	1							
10	1	26106-060102	BOLT, M6X 10 PLATED	2							
11	1	114250-39450	SWITCH, 0.5KG	1							
12	1	119717-39210	PIPE, OIL	1							
13	1	129005-59830	BOLT ASSY, JOINT M8	2							
14	2	22190-080002	WASHER, SEAL 8	2							
15	2	23857-030000	BOLT, JOINT 3	2							
16	1	22190-080002	WASHER, SEAL 8	2							
17	1	119305-35170	FILTER ASSY, D68XL65	1							1



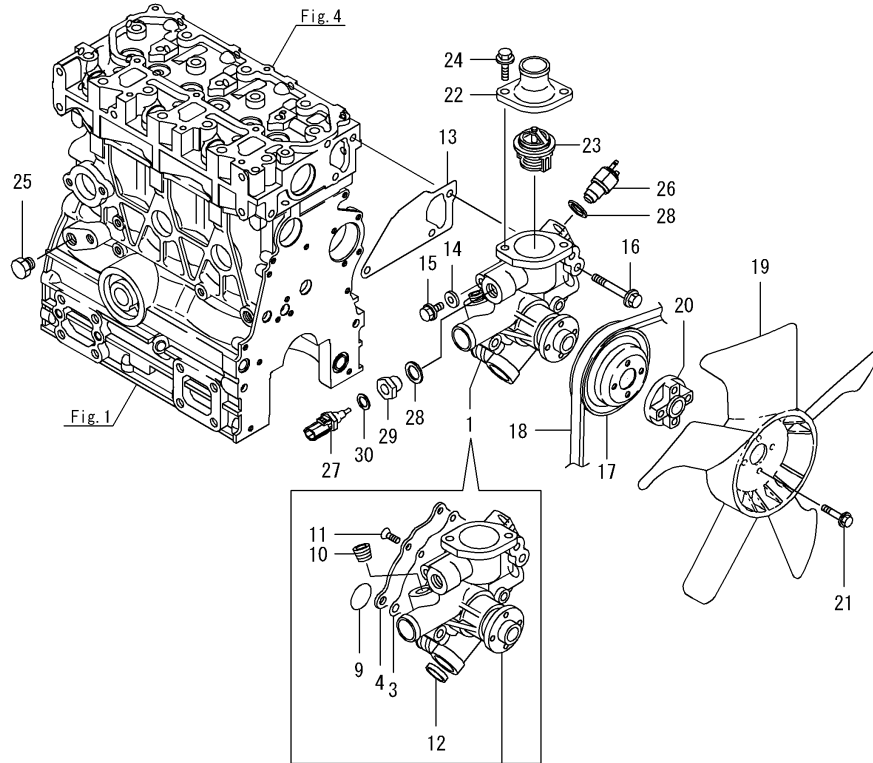
Remarks

(1) Spare parts.

Fig.9. COOLING WATER SYSTEM

(A)=3TNV80F-SXNBV
(B)=
(C)=

(D)=
(E)=
(F)=

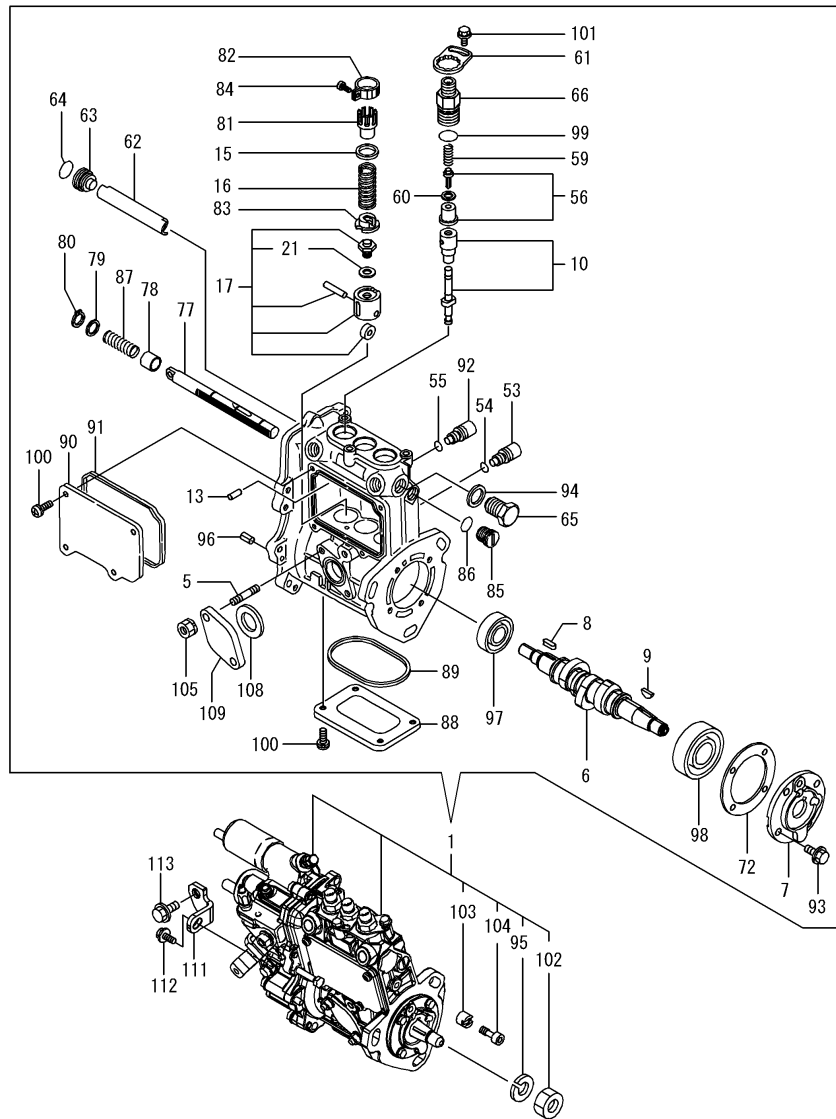


No.	Lev.	Parts No.	Description	Q'ty						I	R
				(A)	(B)	(C)	(D)	(E)	(F)		
1	1	119E10-42000	PUMP ASSY, WATER	1							
3	2	119717-42031	GASKET	1							
4	2	119717-42041	COVER	1							
9	2	119C10-42320	O-RING, 2028	1							
10	2	129916-49740	PLUG, R03	1							
11	2	26577-060122	SCREW, M6X12	4							
12	2	27241-250000	PLUG, 25	1							
13	1	119717-42020	GASKET, WATER PUMP	1							
14	1	23414-080000	GASKET, 8X1.0	1							
15	1	26106-080122	BOLT, M8X 12 PLATED	1							
16	1	26106-080502	BOLT, M8X 50 PLATED	3							
17	1	119740-42350	V-PULLEY, D=90	1							
18	1	171001-42290	V-BELT, A35.5	1							
19	1	119265-44740	FAN, D=310X5F	1							
20	1	121267-44760-1	SPACER, FAN 18MM	1							
21	1	26106-060302	BOLT, M6X 30 PLATED	4							
22	1	129350-49530-1	COVER, THERMOSTAT	1							
23	1	119717-49800	THERMOSTAT, 71	1							
24	1	26106-080202	BOLT, M8X 20 PLATED	2							
25	1	171056-49120	PLUG, DRAIN	1							
26	1	121250-44901	SWITCH, 110	1							
27	1	129927-44900	SENSOR.THERMO CW	1							
28	1	124465-44950	GASKET, 16	2							
29	1	129974-49350	JOINT	1							
30	1	22190-120002	WASHER, SEAL 12	1							

Fig.10. FUEL INJECTION PUMP

(A)=3TNV80F-SXNBV
(B)=
(C)=

(D)=
(E)=
(F)=



No.	Lev.	Parts No.	Description	Q'ty						I	R
				(A)	(B)	(C)	(D)	(E)	(F)		
1	1	719E40-51340	FIE ASSY	1							
5	2	129155-51020	STUD	2							
6	2	119C00-51030	SHAFT, CAM	1							
7	2	119717-51060	SUPPORT, CAMSHAFT	1							
8	2	119717-51070	KEY	1							
9	2	122710-51090	KEY	1							
10	2	119740-51100	PLUNGER ASSY	3							
13	2	129155-51140	PIN	3							
15	2	158600-51170	RETAINER, SPRING	3							
16	2	119717-51190	SPRING, PLUNGER	3							
17	2	119717-51200	TAPPET ASSY	3							
21	3	129155-51600	SHIM SET, ADJUSTING	3							
53	2	158600-51270	STOPPER, TAPPET	3							
54	2	129155-51280	O-RING, S6	3							
55	2	129155-51280	O-RING, S6	1							
56	2	119717-51300	VALVE ASSY, DELIVERY	3							
59	2	119717-51330	SPRING, DELIVERY	3							
60	2	124550-51350	GASKET, DELIVERY	3							
61	2	119125-51370	RETAINER	3							
62	2	129155-51400	DEFLECTOR	1							
63	2	158600-51410	PLUG, DEFLECTOR	1							
64	2	119717-51420	O-RING	1							
65	2	158600-51420	PLUG, DEFLECTOR	1							
66	2	158600-51442	VALVE ASSY, DELIVERY	3							
72	2	129155-51450	SHIM SET, ADJUSTING	1							
77	2	119717-51500	RACK, CONTROL	1							
78	2	119025-51520	BUSH, RACK	1							
79	2	129155-51530	SPACER	1							
80	2	129155-51540	CIRCLIP	1							
81	2	129155-51550	PINION, CONTROL	3							
82	2	129100-51560	PINION	3							
83	2	119717-51570	RETAINER, SPRING	3							
84	2	129100-51570	SCREW	3							
85	2	158600-51570	PLUG	1							
86	2	129155-51580	O-RING	1							
87	2	129155-51591	SPRING, RACK	1							
88	2	129155-51701	COVER	1							
89	2	119717-51711	GASKET	1							
90	2	119717-51750	COVER	1							
91	2	119717-51761	GASKET	1							
92	2	158600-51790	STOOPER, RACK	1							
93	2	119125-51900	BOLT, 6 X 14	4							
94	2	22190-160002	WASHER, SEAL 16	1							
95	2	22217-120000	WASHER, SPRING 12	1							
96	2	22351-050010	PIN, SPRING 5.0X10	2							
97	2	24101-060034	BEARING, BALL 6003	1							
98	2	24101-063034	BEARING, BALL 6303	1							
99	2	24316-000150	O-RING, 4DP15.0	3							
100	2	26022-050122	SCREW, M5X12	8							
101	2	26106-050102	BOLT, M5X 10 PLATED	3							
102	2	26716-120002	NUT, M12	1							

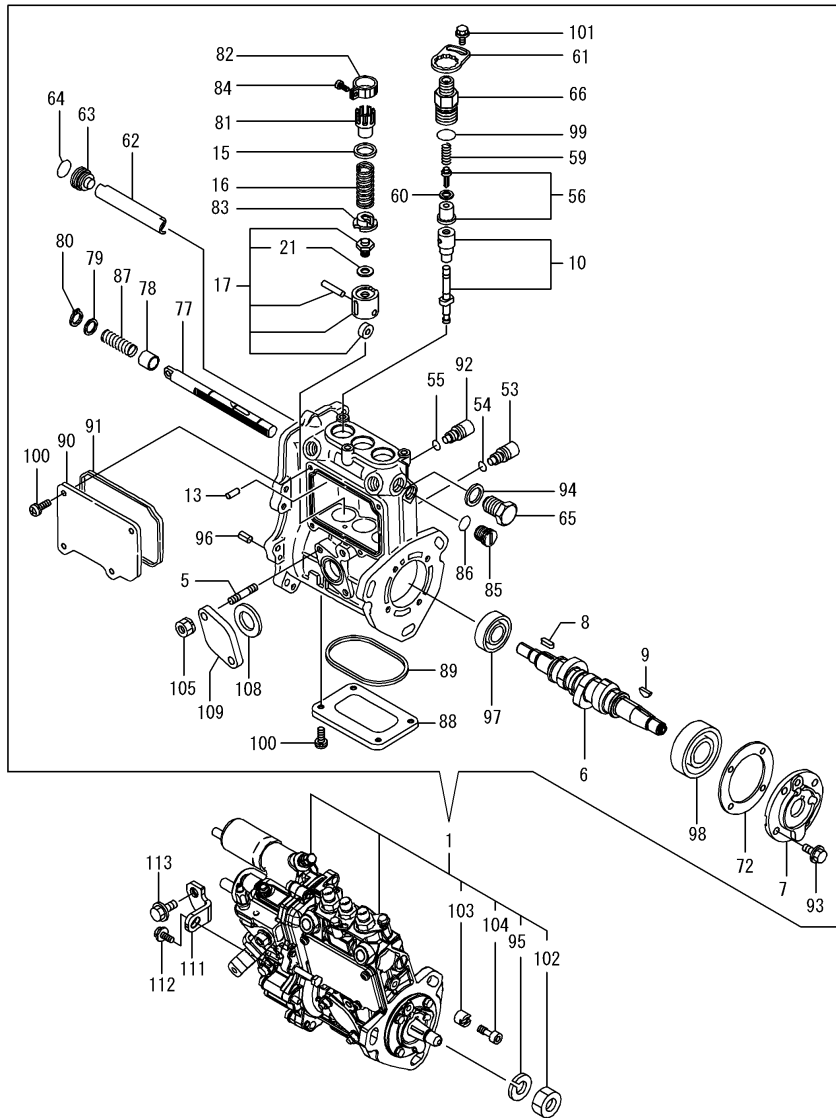
Remarks

(1)Governor(Fig.11) is incorporated in this Fuel Injection Pump(No.1).

Fig.10. FUEL INJECTION PUMP

(A)=3TNV80F-SXNBV
(B)=
(C)=

(D)=
(E)=
(F)=



No.	Lev.	Parts No.	Description	Q'ty						I	R
				(A)	(B)	(C)	(D)	(E)	(F)		
103	2	119717-51481	COLLAR, FIC FIX	1							
104	2	119717-51491	BOLT, FIXATION	1							
105	2	119717-51860	NUT, M6	2							
108	2	129155-52051	GASKET	1							
109	2	129100-52200	COVER	1							
111	1	119C10-51250	SUPPORT	1							
112	1	26106-060142	BOLT, M6X 14 PLATED	1							
113	1	26106-080142	BOLT, M8X 14 PLATED	1							

Remarks

(1)Governor(Fig.11) is incorporated in this Fuel Injection Pump(No.1).

N:Old $\xrightarrow{\text{Yes}}$ New, Q:Old $\xrightarrow{\text{No}}$ New, R:Old $\xrightarrow{\text{Yes}}$ New, S:Old $\xrightarrow{\text{No}}$ New, W:Add, Z:Discontinued, F:Interchangeable by set, K:Q'ty Change

Fig.11. GOVERNOR

(A)=3TNV80F-SXNBV

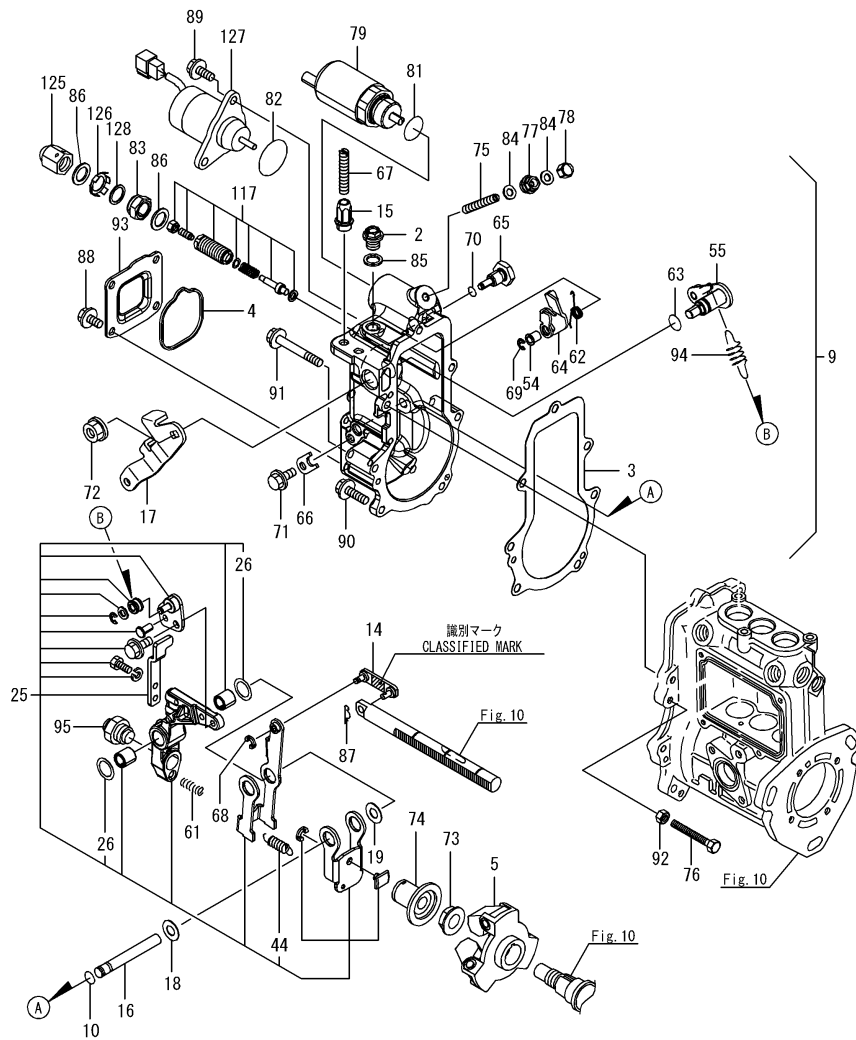
(B)=

(C)=

(D)=

(E)=

(F)=



No.	Lev.	Parts No.	Description	Q'ty						I	R
				(A)	(B)	(C)	(D)	(E)	(F)		
2	2	119717-51930	PLUG,M10	1							
3	2	119717-61050	GASKET	1							
4	2	119717-61070	GASKET	1							
5	2	119717-61201	WEIGHT ASSY,GOVERNOR	1							
9	2	119E40-61200	CASE ASSY, GOVERNOR	1							
10	3	129155-51280	O-RING, S6	1							
14	3	119717-61120	LINK, MARK :3	1							1
15	3	129209-61370	NUT, M6	1							
16	3	129052-61390	SHAFT	1							
17	3	119740-61440	LEVER, CONTROL	1							
18	3	129156-61460	SHIM, T=0.6	1							
19	3	129155-61480	SPACER ASSY	1							
25	3	119E00-61500	LEVER ASSY, GOVERNOR	1							
26	4	174307-51700	SHIM SET	2							
44	4	129486-61540	SPRING, SET	1							
54	3	119C00-61610	COLLAR	1							
55	3	119C00-61630	SHAFT ASSY, CONTROL	1							
61	3	119E00-61650	SPRING, FUEL CONTROL	1							
62	3	119C00-61660	SPRING, RETAINING	1							
63	3	129155-61830	O-RING, S10	1							
64	3	119C00-61850	LEVER	1							
65	3	119C00-61860	SHAFT	1							
66	3	119660-61901	RETAINER, SHAFT	1							
67	3	121575-66830	SCREW	1							
68	3	22272-000030	RING, E- 3	1							
69	3	22272-000040	RING, E- 4	1							
70	3	24311-000080	O-RING, 1AP8.0	1							
71	3	26106-060102	BOLT, M6X 10 PLATED	1							
72	3	26366-080002	NUT, M8	1							
73	2	129008-61301	NUT	1							
74	2	129155-61341	SLEEVE	1							
75	2	119C00-61450	BOLT, LIMITER	1							
76	2	129155-61460	BOLT, IDLE	1							
77	2	119306-61610	NUT, ARB	1							
78	2	119306-61620	NUT, CAP	1							
79	2	119C00-61900	SOLENOID, POWER CONT	1							
81	3	24357-240200	PACKING, 24020	1							
82	2	158552-61900	O-RING	1							
83	2	129209-61920	NUT, ARB	1							
84	2	22190-060002	WASHER, SEAL 6	2							
85	2	22190-100002	WASHER, SEAL 10	1							
86	2	22190-120002	WASHER, SEAL 12	2							
87	2	22372-040000	PIN, SNAP 4	1							
88	2	26106-060102	BOLT, M6X 10 PLATED	4							
89	2	26106-060142	BOLT, M6X 14 PLATED	2							
90	2	26106-060202	BOLT, M6X 20 PLATED	4							
91	2	26106-060452	BOLT, M6X 45 PLATED	3							
92	2	26756-060002	NUT, LOCK M6	1							
93	2	119717-61060	COVER, GOVERNOR CASE	1							
94	2	119E00-61360	SPRING, GOVERNOR	1							
95	2	119527-61560	ANGLEICH ASSY	1							

Remarks

* This figure(Governor) is incorporated in the Fuel Injection Pump(Fig.10).

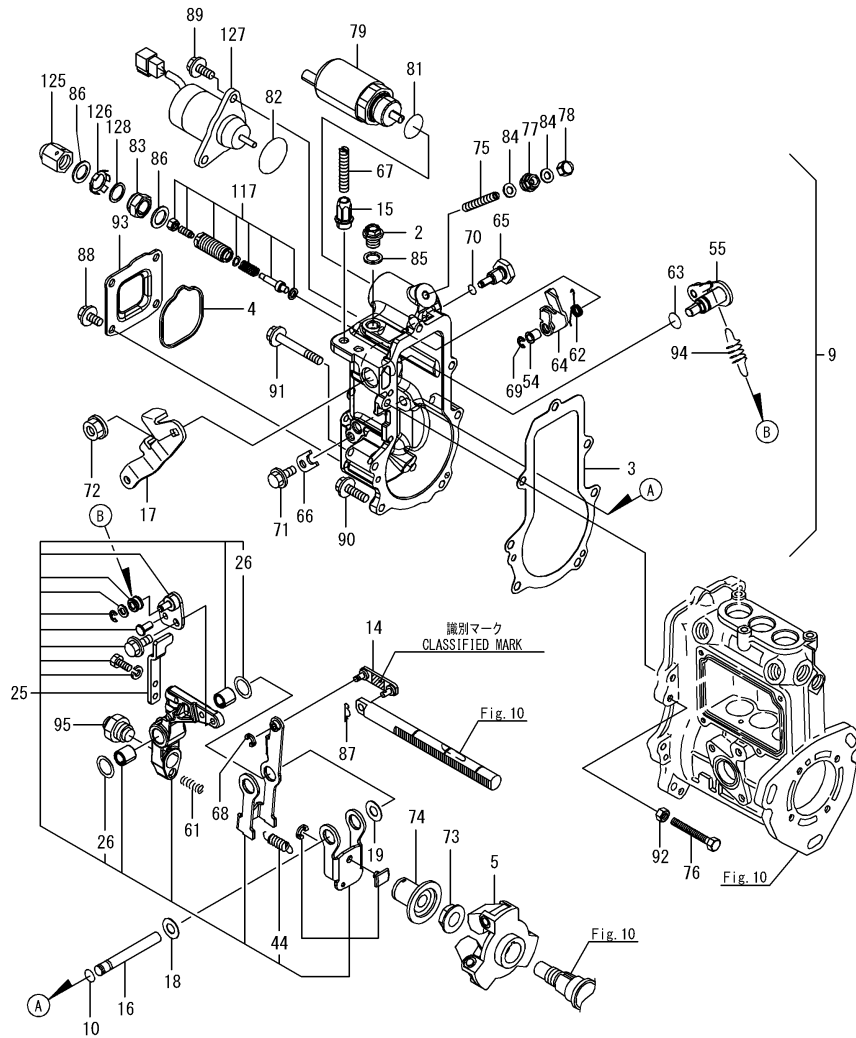
(1) Selective parts.

Mark : 3

Fig.11. GOVERNOR

(A)=3TNV80F-SXNBV
(B)=
(C)=

(D)=
(E)=
(F)=



No.	Lev.	Parts No.	Description	Q'ty						I	R
				(A)	(B)	(C)	(D)	(E)	(F)		
117	2	158601-61710	LIMITER ASSY, FUEL	1							
125	2	129209-61930	NUT, CAP	1							
126	2	129209-61970	PLATE	1							
127	2	119233-77932	SOLENOID, STOP	1							
128	2	23414-120016	GASKET, 12X1.0	1							

Remarks

* This figure(Governor) is incorporated in the Fuel Injection Pump(Fig.10).

(1) Selective parts.

Mark : 3

Fig.12. FUEL INJECTION VALVE

(A)=3TNV80F-SXNBV

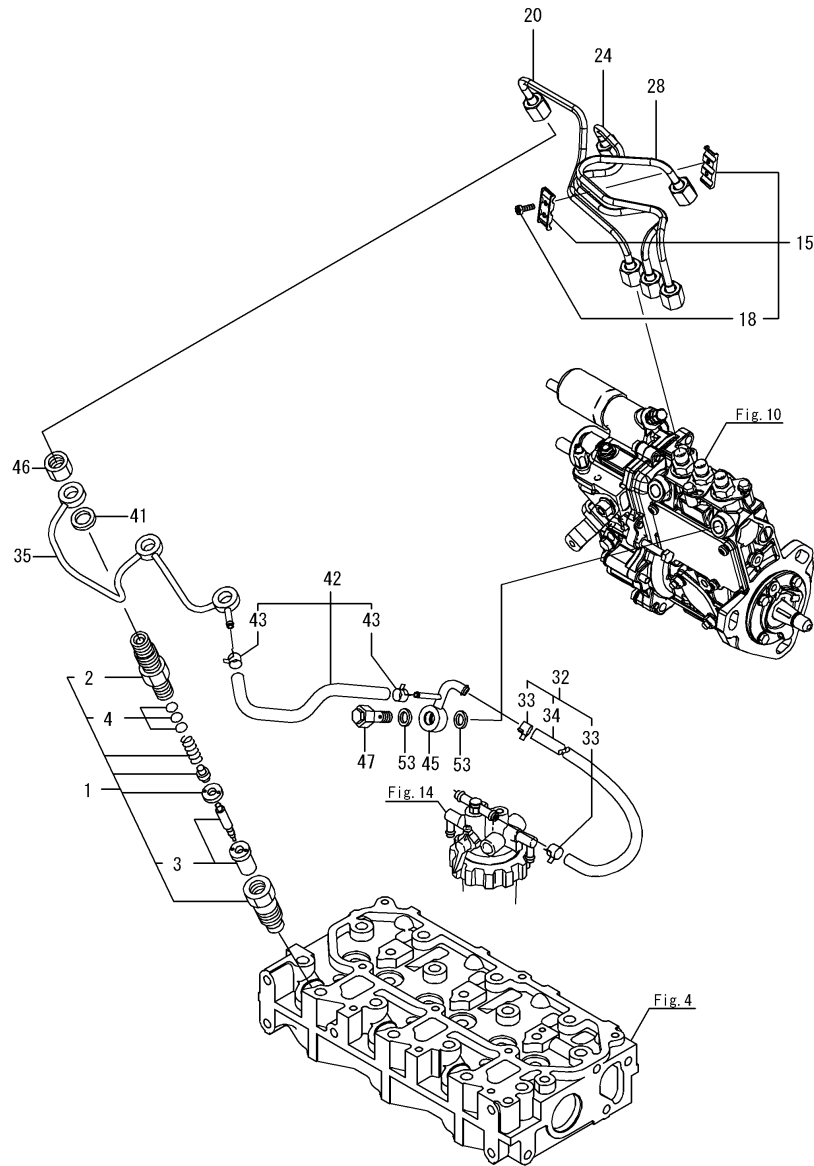
(B)=

(C)=

(D)=

(E)=

(F)=



No.	Lev.	Parts No.	Description	Q'ty						I	R
				(A)	(B)	(C)	(D)	(E)	(F)		
1	1	119517-53001	VALVE ASSY,INJECTION	3							
2	2	118200-53010	HOLDER, NOZZLE	3							
3	2	119517-53010	NOZZLE ASSY	3							
4	2	129901-53800	SHIM SET, ADJUSTING	3							1
15	1	129150-59120	RETAINER, PIPE	1							
18	2	129150-59131	BOLT, M4X14	2							
20	1	119E10-59810	PIPE ASSY,INJ.NO1	1							
24	1	119E10-59820	PIPE ASSY,INJ.NO2	1							
28	1	119E10-59830	PIPE ASSY,INJ.NO3	1							
32	1	129210-59070	PIPE ASSY, FUEL	1							
33	2	124766-59050	CLIP, HOSE 11.5	2							
34	2	105025-59760	PIPE, FUEL	1							
35	1	119717-59510	PIPE ASSY, RETURN	1							
41	1	129901-59560	GASKET	3							
42	1	119540-59570	PIPE ASSY, RETURN	1							
43	2	124066-59100	CLIP, HOSE 8	2							
45	1	119515-59581	JOINT, OVER FLOW	1							
46	1	119620-59700	NUT, NOZZLE	3							
47	1	119813-59950	VALVE ASSY, CHECK	1							
53	1	22190-120002	WASHER, SEAL 12	2							

Remarks

(1) Spare parts.

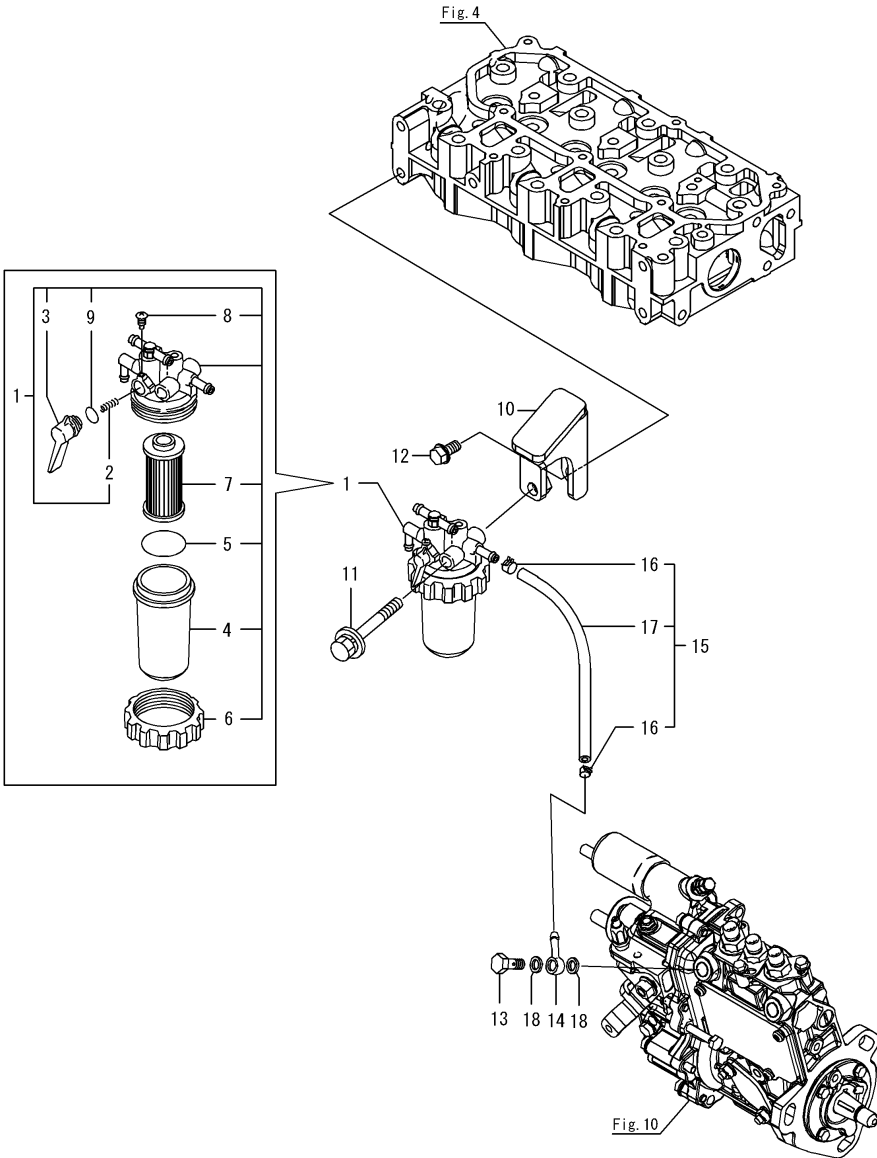
N:Old $\xrightarrow{\text{Yes}}$ New, Q:Old $\xrightarrow{\text{No}}$ New, R:Old $\xrightarrow{\text{Yes}}$ New, S:Old $\xrightarrow{\text{No}}$ New, W:Add, Z:Discontinued, F:Interchangeable by set, K:Q'ty Change

Fig.13. FUEL PIPING

(A)=3TNV80F-SXNBV
(B)=
(C)=

(D)=
(E)=
(F)=

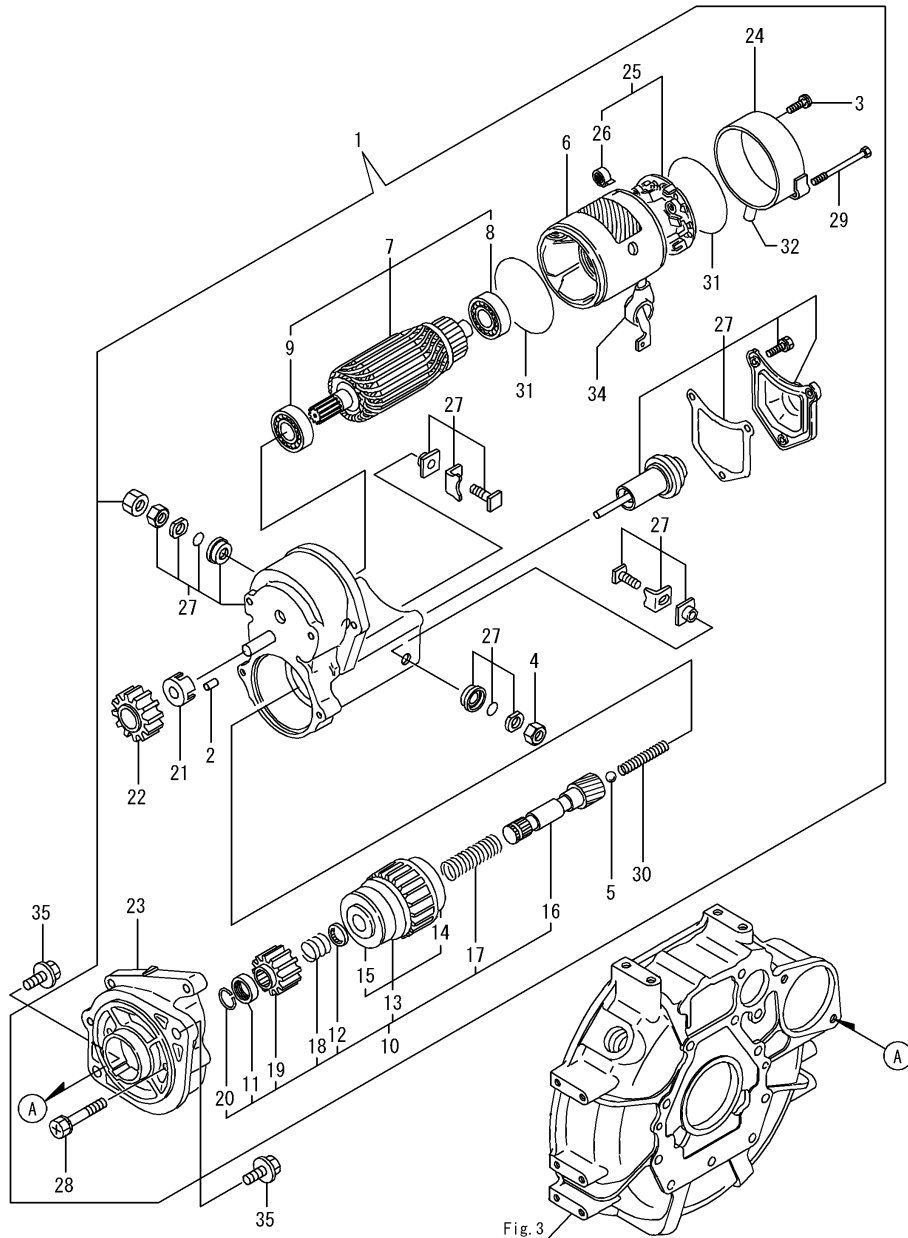
No.	Lev.	Parts No.	Description	Q'ty						I	R
				(A)	(B)	(C)	(D)	(E)	(F)		
1	1	119740-55601	STRAINER ASSY	1							1
2	2	104200-55330	SPRING, VALVE	1							
3	2	119810-55340	LEVER	1							
4	2	121254-55510	COVER	1							
5	2	102103-55520	O-RING	1							
6	2	110250-55610	RING, RETAINING	1							
7	2	119810-55650	ELEMENT	1							
8	2	104200-55750	SCREW, M4	1							
9	2	24311-240100	O-RING, 1AP10A	1							
10	1	119E40-55650	BRACKET, FUEL FILTER	1							
11	1	26014-080702	BOLT, M8X 70	1							
12	1	26106-080162	BOLT, M8X 16 PLATED	2							
13	1	103854-39140	BOLT, PIPE JOINT	1							
14	1	101304-59020	JOINT, PIPE 12	1							
15	1	129210-59040	PIPE ASSY, FUEL	1							
16	2	124766-59050	CLIP, HOSE 11.5	2							
17	2	129555-59510	PIPE, D13/7.5X180	1							
18	1	22190-120002	WASHER, SEAL 12	2							



Remarks

(1) Loose parts.

Fig.14. STARTER MOTOR



(A)=3TNV80F-SXNBV

(B)=

(C)=

(D)=

(E)=

(F)=

No.	Lev.	Parts No.	Description	Q'ty						I	R
				(A)	(B)	(C)	(D)	(E)	(F)		
1	1	119740-77020	STARTER	1							
2	2	X0283060061	ROLLER	5							
3	2	129129-77460	SCREW	2							
4	2	X9490561370	NUT	1							
5	2	X9491200240	BALL	1							
6	2	129407-77210	YOKE ASSY	1							
7	2	129407-77220	ARMATURE ASSY	1							
8	3	129129-77230	BEARING, BALL	1							
9	3	129129-77240	BEARING, BALL	1							
10	2	X1280996680	STARTER KIT	1							
11	3	X0280210230	NUT	1							
12	3	X0283270140	RETAINER	1							
13	3	129129-77390	CLUTCH ASSY	1							
14	4	129129-77440	BEARING, BALL	1							
15	4	129129-77450	BEARING, BALL	1							
16	3	129129-77400	SHAFT	1							
17	3	129129-77410	SPRING, COIL	1							
18	3	129407-77410	SPRING	1							
19	3	X0283712350	PINION, STARTER	1							
20	2	129129-77430	RING	1							
21	2	129129-77260	RETAINER	1							
22	2	129129-77270	PINION	1							
23	2	X4284003310	HOUSING	1							
24	2	129407-77290	FRAME	1							
25	2	129407-77300	HOLDER ASSY	1							
26	3	X9491730461	SPRING	4							
27	2	X1534004151	SWITCH ASSY	1							
28	2	129129-77320	BOLT	2							
29	2	129407-77330	BOLT	2							
30	2	129129-77340	SPRING	1							
31	2	129129-77350	O-RING	2							
32	2	129129-77362	COVER	1							
34	2	129129-77380	CAP	1							
35	1	26106-100252	BOLT, M10X 25 PLATED	2							

Fig.15. GENERATOR

(A)=3TNV80F-SXNBV

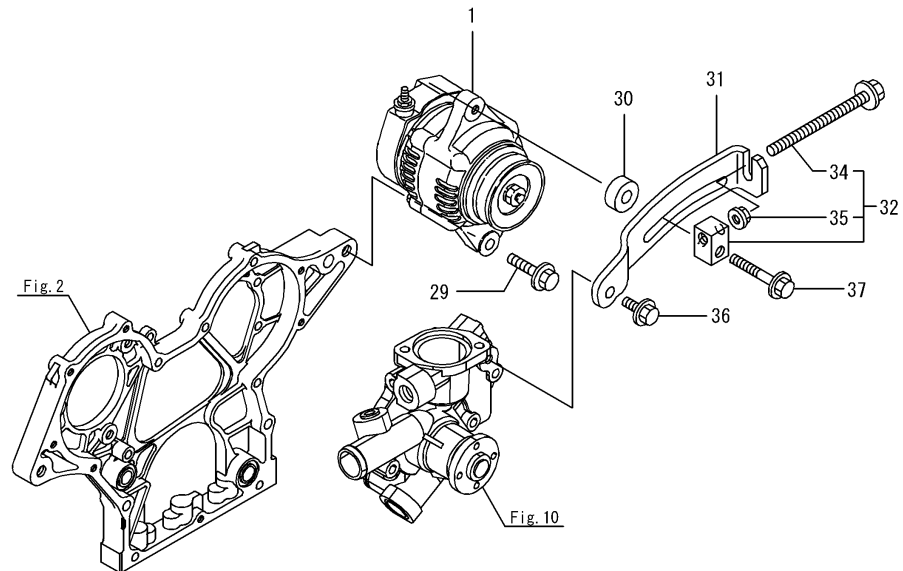
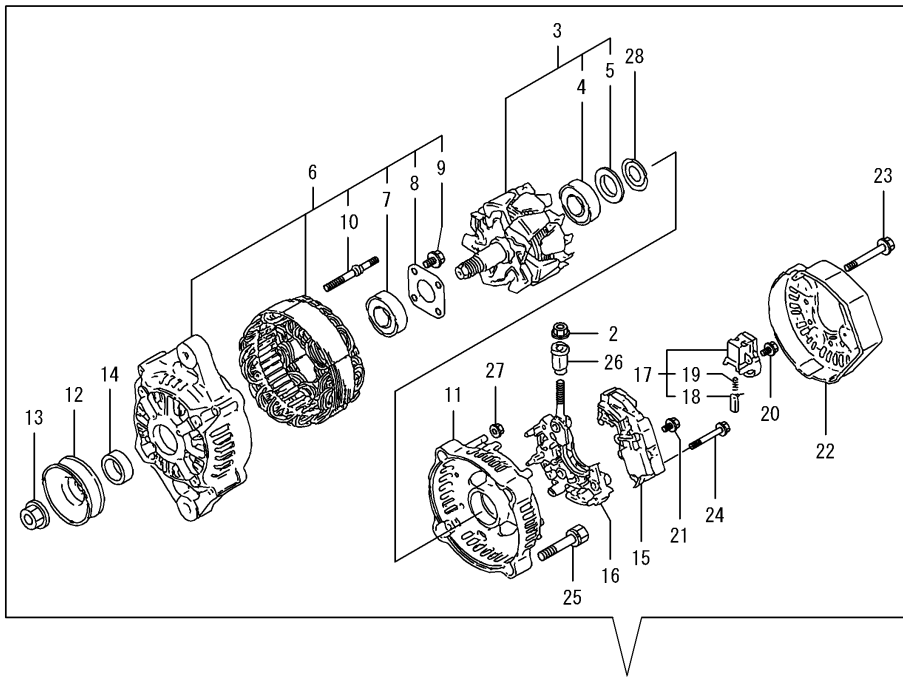
(B)=

(C)=

(D)=

(E)=

(F)=

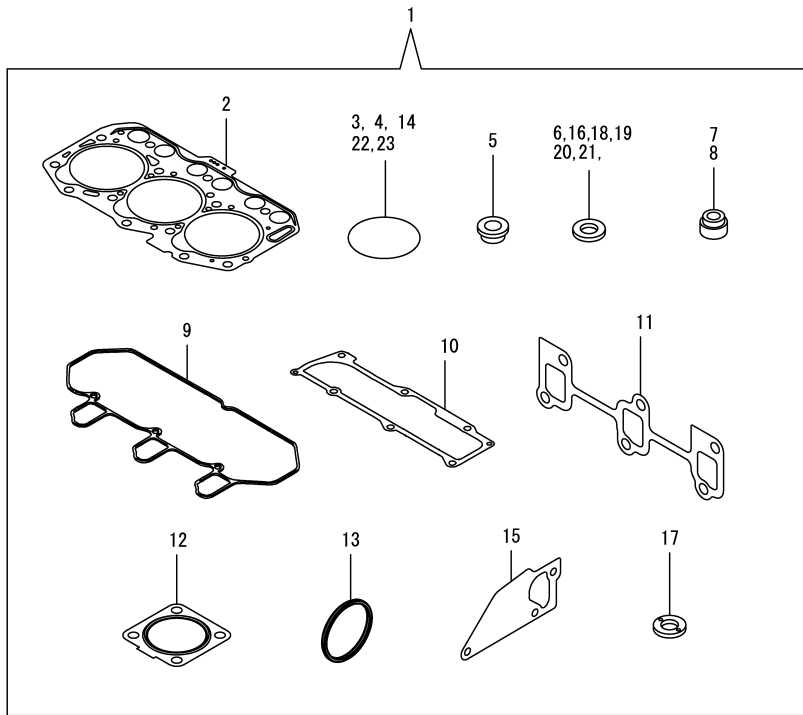


No.	Lev.	Parts No.	Description	Q'ty						I	R
				(A)	(B)	(C)	(D)	(E)	(F)		
1	1	129423-77200	GENERATOR, 12V-40A	1							
2	2	X9490561001	NUT	1							
3	2	119620-77380	ROTOR ASSY	1							
4	3	123501-79240	BEARING, BALL	1							
5	3	119620-79250	COVER	1							
6	2	119620-77421	FRAME ASSY, DRIVE	1							
7	3	119620-79200	BEARING, BALL	1							
8	3	119620-79210	PLATE, RETAINER	1							
9	3	119620-79220	SCREW	4							
10	3	119620-79230	STUD	2							
11	2	119620-77440	FRAME ASSY	1							
12	2	119620-77461	PULLEY	1							
13	2	119620-77471	NUT	1							
14	2	119620-77490	COLLAR	1							
15	2	129423-77710	REGULATOR ASSY	1							
16	2	119620-79260	HOLDER	1							
17	2	129052-79270	HOLDER, BRUSH	1							
18	3	119620-77480	BRUSH ASSY	2							
19	3	119620-79280	SPRING	2							
20	2	119620-79290	SCREW	6							
21	2	119620-79300	SCREW	1							
22	2	129240-79300	COVER	1							
23	2	119620-79310	BOLT	3							
24	2	119620-79320	SCREW	2							
25	2	119620-79330	BOLT	2							
26	2	119620-79340	BUSH, INSULATION	1							
27	2	119620-79350	NUT	2							
28	2	119620-79360	WASHER, THRUST	1							
29	1	26106-100452	BOLT, M10X 45 PLATED	1							
30	1	119940-77270	SPACER, GENERATOR	1							
31	1	119740-77310	ADJUSTER	1							
32	1	119624-77351	BLOCK ASSY, ADJUSTER	1							
34	2	26106-081004	BOLT, M8X100 PLATED	1							
35	2	26306-080002	NUT, M8	1							
36	1	26106-080202	BOLT, M8X 20 PLATED	1							
37	1	26106-080552	BOLT, M8X 55 PLATED	1							

Fig.16. GASKET SET

(A)=3TNV80F-SXNBV
(B)=
(C)=

(D)=
(E)=
(F)=



No.	Lev.	Parts No.	Description	Q'ty						I	R
				(A)	(B)	(C)	(D)	(E)	(F)		
1	1	719E40-92600	GASKET KIT	1							1
2	2	119E10-01330	GASKET SET, HEAD	1							
3	2	119624-32040	O-RING, P12.0	1							
4	2	119717-32050	O-RING, P17.0	3							
5	2	129901-11450	PROTECTOR, NOZZLE	3							
6	2	119600-11460	GASKET, NOZZLE	6							
7	2	119717-11340	SEAL, VALVE STEM	3							
8	2	119717-11350	SEAL, VALVE STEM	3							
9	2	119718-11310	GASKET, BONNET	1							
10	2	119717-11331	GASKET	1							
11	2	119717-13110	GASKET	1							
12	2	119515-13200	GASKET, SILENCER	1							
13	2	119C10-21930	PACKING, WASHER	1							
14	2	119717-32060	O-RING, P15.0	1							
15	2	119717-42020	GASKET, WATER PUMP	1							
16	2	124465-44950	GASKET, 16	2							
17	2	129901-59560	GASKET	3							
18	2	22190-080002	WASHER, SEAL 8	4							
19	2	22190-120002	WASHER, SEAL 12	5							
20	2	22190-160002	WASHER, SEAL 16	1							
21	2	23414-080000	GASKET, 8X1.0	1							
22	2	24311-000320	O-RING, 1AP32.0	2							
23	2	121850-51960	O-RING	1							

Remarks

(1)Optional parts.

Parts No. Index

Parts No.	Fig. No.	Ref. No.
101304-59020	13	14
102103-55520	13	5
103854-39140	13	13
104200-55330	13	2
104200-55750	13	8
105010-11490	4	15
105025-59760	12	34
105311-01090	1	5
105425-01690	3	11
110250-55610	13	6
114250-39450	8	11
118200-53010	12	2
119025-51520	10	78
119125-51370	10	61
119125-51900	10	93
119131-18320	5	6
119233-77932	11	127
119265-44740	9	19
119285-01990	1	7
119285-11990	4	24
119305-35170	8	17
119306-61610	11	77
119306-61620	11	78
119515-13200	5	8
	16	12
119515-59581	12	45
119517-53001	12	1
119517-53010	12	3
119527-61560	11	95
119540-59570	12	42
119600-11460	4	14
	16	6
119620-01750	3	4
119620-02020	1	8
119620-11280	4	39
119620-14200	6	1
119620-59700	12	46
119620-77380	15	3
119620-77421	15	6
119620-77440	15	11
119620-77461	15	12
119620-77471	15	13
119620-77480	15	18
119620-77490	15	14
119620-79200	15	7
119620-79210	15	8
119620-79220	15	9
119620-79230	15	10
119620-79250	15	5
119620-79260	15	16

Parts No.	Fig. No.	Ref. No.
119620-79280	15	19
119620-79290	15	20
119620-79300	15	21
119620-79310	15	23
119620-79320	15	24
119620-79330	15	25
119620-79340	15	26
119620-79350	15	27
119620-79360	15	28
119621-21681	7	14
119623-01250	1	6
119624-32040	2	20
	16	3
119624-77351	15	32
119626-07900	4	9
119660-01911	2	19
119660-61901	11	66
119717-01501	2	1
119717-01521	2	6
119717-01570	2	3
119717-01601	3	2
119717-01720	3	8
119717-01750	2	18
119717-01800	2	9
119717-02411	1	11
119717-02930	1	26
119717-03031	4	49
119717-03070	4	50
		51
119717-11131	4	28
119717-11190	4	30
119717-11200	4	34
119717-11240	4	35
119717-11260	4	38
119717-11320	4	60
119717-11331	4	61
	16	10
119717-11340	4	31
	16	7
119717-11350	4	32
	16	8
119717-11381	4	48
119717-11650	4	40
119717-11800	4	70
119717-13110	5	2
	16	11
119717-13600	5	3
119717-14400	6	2
119717-14581	6	3
119717-21200	7	5

Parts No.	Fig. No.	Ref. No.
119717-23200	7	30
119717-23601	7	31
119717-23611	7	34
119717-23910	7	33
119717-25050	6	10
119717-25101	6	11
119717-25911	6	14
119717-25930	6	17
119717-32050	2	21
	16	4
119717-32060	8	5
	16	14
119717-32080	2	11
119717-32100	2	10
119717-32110	2	15
119717-32120	2	16
119717-35080	8	6
119717-35140	8	3
119717-39210	8	12
119717-42020	9	13
	16	15
119717-42031	9	3
119717-42041	9	4
119717-49800	9	23
119717-51060	10	7
119717-51070	10	8
119717-51150	6	18
119717-51190	10	16
119717-51200	10	17
119717-51300	10	56
119717-51330	10	59
119717-51420	10	64
119717-51481	10	103
119717-51491	10	104
119717-51500	10	77
119717-51570	10	83
119717-51711	10	89
119717-51750	10	90
119717-51761	10	91
119717-51860	10	105
119717-51930	11	2
119717-59510	12	35
119717-61050	11	3
119717-61060	11	93
119717-61070	11	4
119717-61120	11	14
119717-61201	11	5
119717-77801	4	68
119717-77820	4	69
119718-11310	4	59

Parts No.	Fig. No.	Ref. No.
119718-11310	16	9
119734-01590	2	4
119740-01770	3	10
119740-13100	5	1
119740-13500	5	9
119740-34801	8	1
119740-42350	9	17
119740-51100	10	10
119740-55601	13	1
119740-61440	11	17
119740-77020	14	1
119740-77310	15	31
119802-03100	4	52
119802-03110	4	53
119802-03121	4	54
119802-03131	4	55
119802-03141	4	56
119802-13620	5	4
119802-32130	2	17
119810-01200	1	13
119810-02941	1	35
119810-55340	13	3
119810-55650	13	7
119813-59950	12	47
119865-21600	7	12
119940-07900	4	10
119940-77270	15	30
119C00-51030	10	6
119C00-61450	11	75
119C00-61610	11	54
119C00-61630	11	55
119C00-61660	11	62
119C00-61850	11	64
119C00-61860	11	65
119C00-61900	11	79
119C10-21650	7	13
119C10-21930	7	15
	16	13
119C10-21940	7	16
119C10-42320	9	9
119C10-51250	10	111
119E00-01560	1	1
119E00-61360	11	94
119E00-61500	11	25
119E00-61650	11	61
119E10-01330	1	14
	16	2
119E10-11100	4	26
119E10-11110	4	27
119E10-11740	4	16

Parts No. Index

Parts No.	Fig. No.	Ref. No.
119E10-21590	7	9
119E10-21700	7	1
119E10-22080	7	18
119E10-22300	7	24
119E10-22500	7	20
119E10-22550	7	37
119E10-22900	7	36
119E10-23000	7	26
119E10-42000	9	1
119E10-59810	12	20
119E10-59820	12	24
119E10-59830	12	28
119E40-55650	13	10
119E40-61200	11	9
121111-21501	7	8
121250-44901	9	26
121254-55510	13	4
121267-44760-1	9	20
121520-34810	8	2
121575-66830	11	67
121850-51960	2	22
	16	23
122710-51090	10	9
123501-79240	15	4
123900-13620	5	5
124060-01050	1	12
124066-59100	12	43
124085-02220	3	5
124160-01751	2	30
	4	47
124160-01910	1	15
124465-44950	9	28
	16	16
124550-51350	10	60
124766-59050	12	33
	13	16
129001-32320	2	13
129001-32330	2	14
129005-59830	8	13
129008-61301	11	73
129052-61390	11	16
129052-79270	15	17
129100-01580	3	1
	7	2
129100-51560	10	82
129100-51570	10	84
129100-52200	10	109
129129-77230	14	8
129129-77240	14	9
129129-77260	14	21

Parts No.	Fig. No.	Ref. No.
129129-77270	14	22
129129-77320	14	28
129129-77340	14	30
129129-77350	14	31
129129-77362	14	32
129129-77380	14	34
129129-77390	14	13
129129-77400	14	16
129129-77410	14	17
129129-77430	14	20
129129-77440	14	14
129129-77450	14	15
129129-77460	14	3
129150-11230	4	41
129150-11750	4	43
129150-25301	6	16
129150-59120	12	15
129150-59131	12	18
129155-51020	10	5
129155-51140	10	13
129155-51280	10	54
		55
	11	10
129155-51400	10	62
129155-51450	10	72
129155-51530	10	79
129155-51540	10	80
129155-51550	10	81
129155-51580	10	86
129155-51591	10	87
129155-51600	10	21
129155-51701	10	88
129155-52051	10	108
129155-61341	11	74
129155-61460	11	76
129155-61480	11	19
129155-61830	11	63
129156-61460	11	18
129209-61370	11	15
129209-61920	11	83
129209-61930	11	125
129209-61970	11	126
129210-59040	13	15
129210-59070	12	32
129240-79300	15	22
129350-49530-1	9	22
129407-77210	14	6
129407-77220	14	7
129407-77290	14	24
129407-77300	14	25

Parts No.	Fig. No.	Ref. No.
129407-77330	14	29
129407-77410	14	18
129423-77200	15	1
129423-77710	15	15
129486-61540	11	44
129508-11180	4	29
129555-59510	13	17
129900-32130	2	12
129901-11450	4	13
	16	5
129901-53800	12	4
129901-59560	12	41
	16	17
129916-49740	9	10
129927-44900	9	27
129974-49350	9	29
158552-61900	11	82
158600-51170	10	15
158600-51270	10	53
158600-51410	10	63
158600-51420	10	65
158600-51442	10	66
158600-51570	10	85
158600-51790	10	92
158601-61710	11	117
171001-42290	9	18
171056-49120	9	25
174307-51700	11	26
22190-060002	11	84
22190-080002	8	14
	16	16
	16	18
22190-100002	11	85
22190-120002	9	30
	11	86
	12	53
	13	18
	16	19
22190-160002	3	14
	10	94
	16	20
22217-120000	10	95
22242-000120	4	44
22252-000220	7	25
22272-000030	11	68
22272-000040	11	69
22351-050010	10	96
22351-060012	4	33
22372-040000	11	87
22512-040120	7	6

Parts No.	Fig. No.	Ref. No.
22512-040120	7	17
22857-500100	4	62
		63
22857-500160	4	64
23414-080000	9	14
	16	21
23414-120016	11	128
23857-030000	8	15
23876-005000	4	25
23876-030000	2	8
24101-060034	10	97
24101-063034	10	98
24311-000080	11	70
24311-000320	2	31
	4	65
	16	22
24311-240100	13	9
24316-000150	10	99
24357-240200	11	81
26014-080702	13	11
26022-050122	10	100
26106-050102	10	101
26106-060102	8	10
	11	71
		88
26106-060122	2	23
	6	9
26106-060142	10	112
	11	89
26106-060162	2	24
26106-060202	4	66
	11	90
26106-060302	9	21
26106-060352	6	15
26106-060402	2	25
		26
26106-060452	11	91
26106-060602	2	27
26106-060652	2	28
26106-060752	4	67
26106-080122	3	15
	9	15
26106-080142	4	11
	10	113
26106-080162	4	12
	13	12
26106-080202	9	24
	15	36
26106-080302	3	16
26106-080402	4	46

Parts No. Index

Parts No.	Fig. No.	Ref. No.
26106-080452	3	17
26106-080502	3	18
	9	16
26106-080552	15	37
26106-081004	15	34
26106-100162	5	10
26106-100252	14	35
26106-100452	15	29
26206-100252	3	6
26206-100302	3	7
26306-080002	2	29
	5	7
		11
	15	35
26366-080002	11	72
26577-060122	9	11
26716-120002	10	102
26756-060002	11	92
26979-050162	4	45
27241-120000	1	16
27241-250000	9	12
719717-02901	1	29
719717-02911	1	32
719734-01500	2	5
719E40-51340	10	1
719E40-92600	16	1
X0280210230	14	11
X0283060061	14	2
X0283270140	14	12
X0283712350	14	19
X1280996680	14	10
X1534004151	14	27
X4284003310	14	23
X9490561001	15	2
X9490561370	14	4
X9491200240	14	5
X9491730461	14	26

Parts No.	Fig. No.	Ref. No.
-----------	----------	----------

Parts No.	Fig. No.	Ref. No.
-----------	----------	----------

Parts No.	Fig. No.	Ref. No.
-----------	----------	----------